

**G**lenair®



# Circular Connector Backshells and Accessories

United States ■ United Kingdom ■ Germany ■ France ■ Nordic ■ Italy ■ Spain

# Introducing the "NESTOR" (AS85049 Style "N" Coupling)



## Spring-Loaded, Positive-Lock Backshells (Glenair Mod Code -445)

Most specifiers of connector backshells are familiar with self-locking coupling nuts with their familiar "click" detent mechanism. Self-lockers combine the convenience of a standard spin-coupling interface with the de-coupling security of locking detents. Unfortunately, detent-equipped self-locking coupling nuts can fail to perform if the proper assembly technique is not applied during harness fabrication. Experts describe the unique "jiggling" technique required to

insure the backshell coupling nut is seated "all the way home" against the toothed connector interface. Now, help is on the way! Glenair's "NESTOR" coupling interface provides both positive locking and easy-to-assemble spin coupling in a non-detent design. The "NESTOR" employs a unique, spring-loaded mechanism to insure fast and secure coupling every time. So, whether you prefer traditional detent self-lockers or the new "NESTOR," Glenair is ready to meet your requirements with quality interconnect products



1211 Air Way

Glendale, California 91201-2497

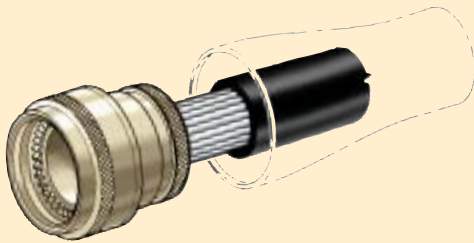
Telephone: 818-247-6000 · Facsimilie: 818-500-9912 · EMail: sales@glenair.com

United States · United Kingdom · Germany · Nordic · France · Italy · Spain

www.glenair.com

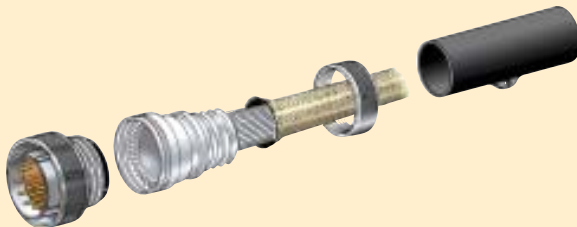
*For a complete Table of Contents please see the last page of this book*

### Series 310 - Shrink Boot Adapters



The adapters in this section are designed to accommodate lipped-type heat shrinkable boots, which are used for both mechanical strain relief and a degree of environmental protection.

### Series 311 - Shrink Boot, EMI/RFI, Strain Relief



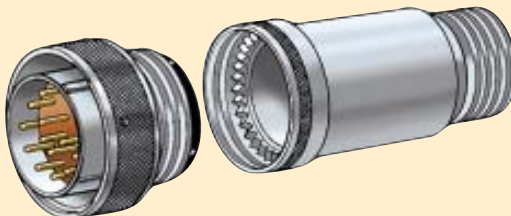
This series of adapters provides a simplified method of grounding over-all shields. The over-all shield/braid is secured between a male and female lamp-base type thread providing a good bonding joint. Strain relief clamps and shrink boot attachments are available.

### Series 319 - Shrink Boot, EMI/RFI, Shield Sock



These adapters have a shield sock attached to the rear of the adapter body, the method of shield attachment is usually accomplished by means of crimping, Band-it® band, soldering, magna-forming or Tinel® locking system - solutions all supplied by Glenair. This shield sock is then attached to the overall braid on the cable or harness. This attachment is most generally performed by the use of a AS85049/93 back-up ring and then banding the over-lapped braids together. Lipped-type heat shrinkable boots are available to enclose and protect the termination.

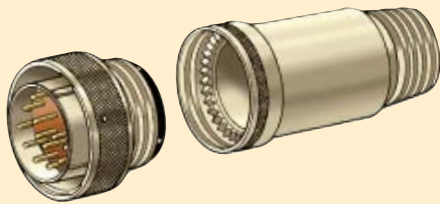
### Series 32 - Extender Backshells



These simple Glenair backshells provide extensions between the connector and strain relief, offering the convenience of additional space to accommodate service loops, reterminations, diodes, resistors and other uses.

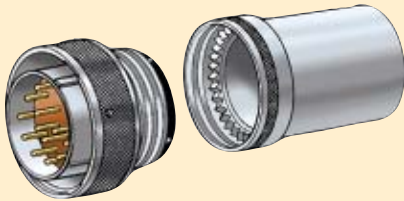


## Series 33 - Pipe Thread Adapters



Adapters which accommodate tapered National Pipe Threads, usually associated with various forms of conduit or hose end-fittings.

## Series 34 - Shorting Cap Backshells



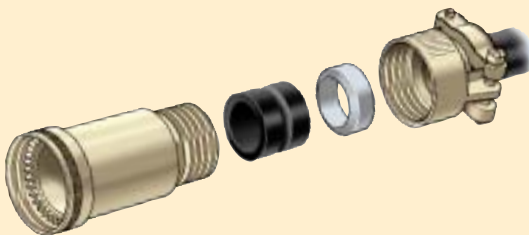
Shorting cap backshells provide a total enclosure for the rear of a connector and are adaptable for the fabrication of shorting plugs, special purpose test connectors, or installation of discrete components.

## Series 36 - Non-Environmental Backshells



Glenair provides straight and angled backshells with a wide variety of strain reliefs for light, medium, general, and heavy duty applications where environmental protection of cable-to-connector terminations is not required.

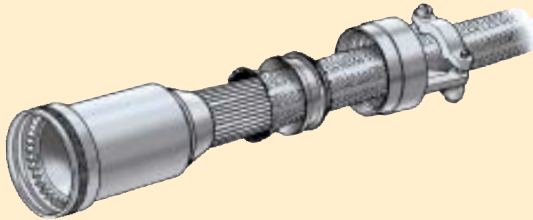
## Series 37 - Environmental Backshells



Three versions of environmental backshells are offered with a choice of strain reliefs in straight and angular designs: Full immersion, water-tight and environment resisting. Full immersion denotes cable sealing protection to a depth of 6 ft., water-tight designs provide protection up to 3 ft. and environment resisting backshells are moisture proof (splashproof) and dust resistant. Detailed explanations and drawings of each design are presented at the beginning of this section. A quick reference guide is also provided to aid in backshell selection.



## Series 38 - EMI/RFI Non-Environmental Backshells



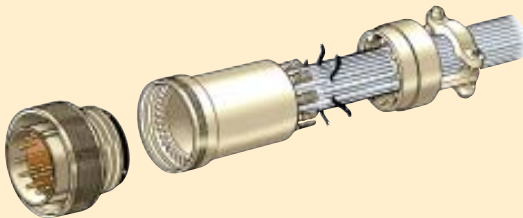
A range of 360° shield/screen terminations are offered in straight and angled backshells, including designs to accommodate combinations of individual and overall shields or screens. Designs included in this section provide low dc resistance across the termination area. Please see the beginning of this chapter for detailed explanations of the seven different shield termination types as well as complete assembly instructions. A quick reference guide is also provided to aid in backshell selection.

## Series 39 - EMI/RFI Cable Sealing Backshells



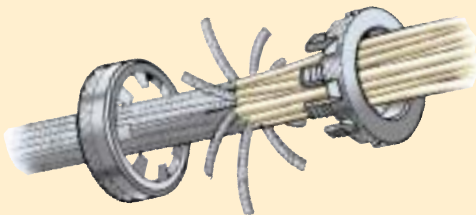
The backshells described in this section combine the EMI/RFI shield/screen terminations of Series 38 with the cable sealing or environmental resisting features of the backshells in Series 37. Straight and angled designs are available. Please see the beginning of the chapter for explanations of the available cable sealing styles, shielding designs and assembly instructions. A quick reference guide is also provided to aid in backshell selection.

## Series 40 - TAG® Ring Backshells



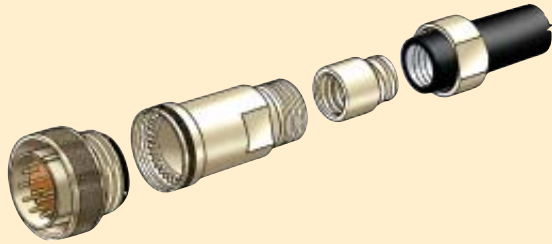
Glenair's TAG® Ring backshells offer a unique and reliable method of terminating individually shielded wires where the shields are to be grounded through the backshell and connector shell. Straight and angled designs are available. No special tools are required for assembly and full maintainability is provided.

## Series 41 - TAG® Ring Shield Termination



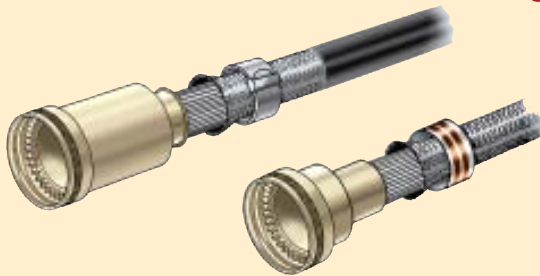
Glenair's TAG® Ring provides a reliable and convenient method of common termination of groups of individual shields/screens on wire bundles and harnesses. This device offers a repairable alternative to inner-outer crimp rings, daisy chains and other termination systems.

## Series 42 - Sealtite/Liquidtite Backshells



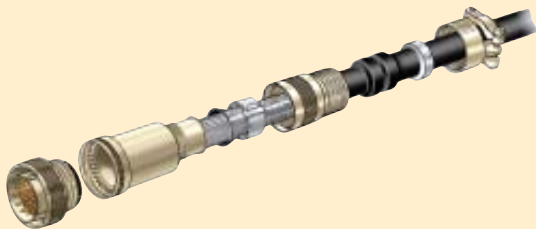
This series of backshells provide a convenient method of terminating Sealtite/Liquidtite conduit (or equivalent) to a variety of circular connectors. A malleable ferrule which fits over the exposed end of the conduit is compressed into the outer jackets as the lock nut is tightened. This also provides a secure electrical ground for the metal core of the conduit to the backshell body. No special tools are required for assembly. For conduit information, see Glenair's *Convolute Tubing, Braiding and Flexible Metal-Core Conduit Systems* catalog.

## Series 440 - Banding and Crimping Backshells



Banding and crimp ring backshells provide an economical approach to terminating overall cable and harness shields/screens. These backshells utilize standard bands, crimp rings, or Tinel-Lock® rings for full 360° shield/screen termination with the low dc resistance. For information on Glenair's *Band-It®* Clamping System, please see our *Backshell Assembly Tools, Banding Tools and Accessories* catalog.

## Series 443 - Cable-Sealing Band-in-a-Can Backshells



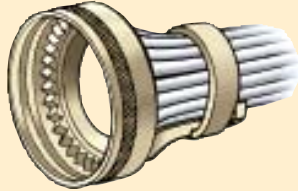
A banding backshell assembly, that utilizes a secondary adapter that covers the banding area, along with providing options for environmental sealing and strain relief.

## Series 447 - Non-Environmental Band-in-a-Can Backshells



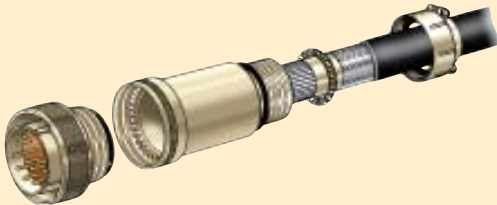
A banding backshell assembly, that utilizes a secondary adapter that covers the banding area. Available with a range of options for strain relief.

### Series 45 - Qwik-Ty® Strain Reliefs



Glenair's Qwik-Ty® strain reliefs offer a unique method of providing strain relief to open wire bundles used with circular connectors. The Qwik-Ty® provides a low profile, reduced weight and simple installation. Installation is quick and secure, using either plastic tie straps or lacing tape.

### Series 460 - RFI G-Spring Backshells



Glenair's G-Spring backshells provide an innovative method of terminating and grounding overall shields/screens and metal foil shielding on wiring harnesses and cables. The G-Spring design provides a peripheral spring member which compresses against the exposed shield to effect positive electrical grounding around the entire circumference of the shield.

### Series 463 - RFI Environmental G-Spring Backshells



Glenair's G-Spring backshells provide an innovative method of terminating and grounding overall shields/screens and metal foil shielding on wiring harnesses and cables. The G-Spring design provides a peripheral spring member which compresses against the exposed shield to effect positive electrical grounding around the circumference of the shield. Environmental versions of the G-Spring provide environmental sealing on a jacketed cable through the use of a low profile o-ring compression seal.

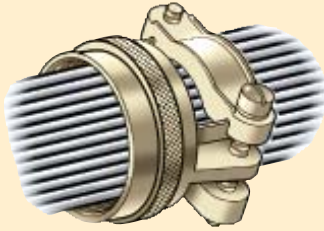
### Series 61 - "E" Nuts



This section describes the various backshells without strain relief for use with circular connectors. (These are most commonly referred to as "E" Nuts.)

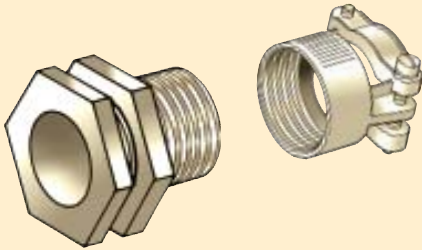


## Series 62 - Strain Reliefs



Glenair offers a comprehensive selection of strain reliefs for circular connectors. Straight and angular versions are offered for most connector series.

## Series 63 - Bulkhead Fittings,



Series 63 includes a wide variety of bulkhead fittings that feature environmental sealing, shield terminating, strain relief and angular shaped options to facilitate the routing of cables or conduit through bulkheads or other enclosures.

## Series 65 - Dummy Stowage Receptacles



A wide choice of dummy stowage receptacles is offered to fit most circular bayonet coupled and thread coupled connectors.

## Series 66 and 78 - Protective Covers



A wide selection of EMI/RFI protective covers are offered for both bayonet and thread coupled circular connectors. Our metal covers offer a broad choice of attachments not provided on Military Standard versions. Our Series 78 "Mr. Bean" Protective Rubber Covers are designed to prevent finish damage caused by metal-to-metal contact between disengaged covers and equipment boxes.

## Series 68 - Miscellaneous Accessories

### The Working Environment

The broad range of backshell types available today makes it critical for interconnect engineers, and others tasked with the responsibility of specifying connector accessories to become adept at building backshell part numbers. For the most part, the process entails selecting options from the part number development trees found on each catalog page.

But experience shows it is equally important to consider the working environment of the target application before completing the backshell selection process. There are many electrical, mechanical and environmental considerations which, when properly addressed, will ensure a long functional life for the interconnect system. So before you start building part numbers, please consider the following:

(1) What are the material/finish specifications of the mating connector?

(2) What level of environmental protection is required in the system—from full water immersion, to splash proof and/or moisture resistance?

(3) What level of EMI shielding is required, and is any particular style or type of shield termination generally specified in the target assembly?

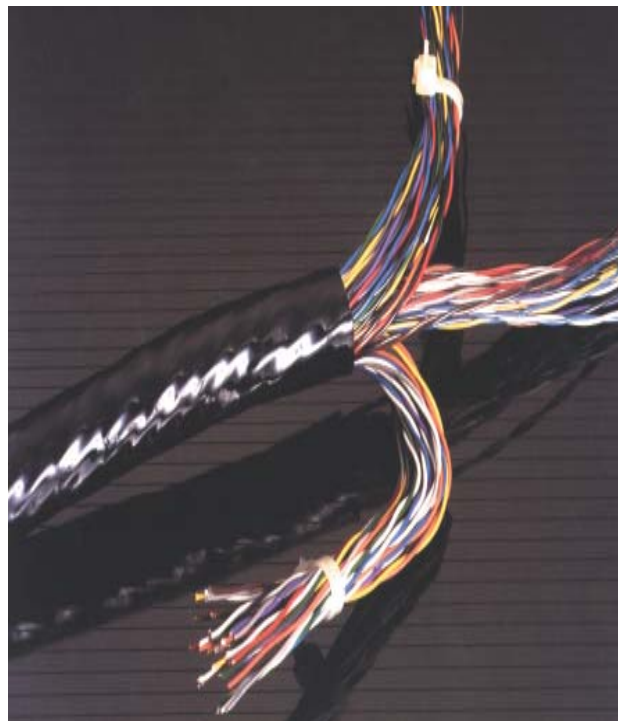
(4) What level or amount of strain-relief, from light duty to gorilla proof, is required to protect shield and conductor terminations from damage?

(5) What is the temperature range of the application environment? Is it so hot that stainless steel is called for, or so cold that an elastomeric seal might potentially fail?

(6) Is repairability a design requirement? Some split shell designs make field repair a snap, while solid shell models make accessing contact terminations more difficult.

(7) Are there size or shape constraints which need to be considered? Is working room so important that an extender needs to be designed in? Or is available space so tight that an ultra low profile backshell design is called for? Does cable routing dictate 45°, 90° or straight cable entries?

(8) Is a metal shell required or is saving weight and preventing corrosion with composite thermo-plastic materials an option?



*An accurate estimate of the cable diameter is required to select the right backshell cable entry diameter. Complete the cable analysis before selecting the backshell.*

(9) Does the application require conformance to AS85049 or another specification?

### Cable Make-up

Other questions in backshell selection cannot be answered without an understanding of the overall make-up of the cable and harness. Basic dimensional decisions on cable entry size cannot be specified without accurate descriptions and measurements of the cable or wire bundle. A basic analysis of the cable should include:

- **Wire Numbers and Types:** *twisted shielded pairs, coaxial power, signal, fiber optic, etc.*
- **Shield Material Gauge, Number and Type:** *tin, nickel, silver plated copper wire, and so on.*
- **Jacket Material and Thickness.**

The table on the following page will assist you in calculating wire bundle diameter for use in choosing the correct backshell cable entry diameter.



## How to Order Circular Connector Backshells

### Calculating Wire Bundle Diameter

A backshell's rear cable entry can accommodate only a narrow range of cable diameters. When selecting the backshell cable entry size from the provided tables, it is a good idea to error on the side of too large, as an undersized cable can always be enlarged with tape or a grommet to fit the cable clamp. When calculating wire bundle diameters, note that the gauge # of the wire describes only the diameter of the metal conductor, and not the overall diameter including insulation and/or braids. Refer to the appropriate wire specification for the actual diameter of the wire for use in the following calculations.

Steps	Calculations
(1a) Determine average wire diameter when all wires are the same diameter; or	Given 30 Wires @ .045 DIA <b>Avg. Wire DIA = .045</b>
(1b) Determine average wire diameter when wires are different diameters.	Given 15 Wires @ .045 and 15 Wires @ .135 $15 \times .045 = .68$ $15 \times .135 = 2.03 + \frac{2.71}{30} = 2.71$ <b>.090 Avg. Wire DIA</b>
(2) Multiply average wire diameter by factor from Table I below	(1a) $.045 \times 6.7 = .3015$ <b>Core Wire Bundle DIA</b> (1b) $.090 \times 6.7 = .603$ <b>Core Wire Bundle DIA</b>
(3) Add thickness of any shielding or jacketing to core wire bundle diameter (for example, add .025 for braided sleeving)	(1a) $.3015 + .025 = .3265$ <b>Wire Bundle Outside DIA</b> (1b) $.603 + .025 = .628$ <b>Wire Bundle Outside DIA</b>

**TABLE I**

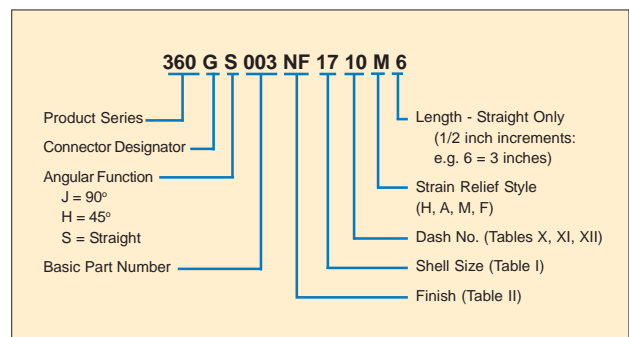
No. of Wires	1	2	3	4	5	6	7	8	9	10	12	14	16	18	20	24	28	32
Factor	1.0	2.0	2.2	2.4	2.7	2.9	3.0	3.3	3.8	4.0	4.3	4.6	5.0	5.3	5.6	6.0	6.5	6.9
No. of Wires	36	40	45	50	55	60	65	70	75	80	90	100	125	150	175	200	250	300
Factor	7.4	7.7	8.1	8.5	8.9	9.3	9.7	10.1	10.5	10.9	11.6	12.2	13.7	15.0	16.1	17.2	19.3	21.0

### Backshell Part Number Development

Glenair follows a standardized format for the development of accessory part numbers, so mastering the process once will enable you to build valid part numbers—from any connector accessory product family—circular, rectangular, composite, fiber optic, and so on. Some differences are of course to be found from one product series to the next because of the range of available options. If in doubt, *QwikCreate, The Glenair Part Number Builder*, is now available on our website and takes all the pain and suffering out of backshell specification. For catalog users, the following steps will serve as general guide to the process.

**(1) Select the Product Series:** Do you want a dust cap, a banding adapter, an environmental back-

shell or some other type of connector accessory? Use the graphical product selection guide at the beginning of the catalog for help in getting to the right section.



**Typical backshell part number development or "How to Order" tree**



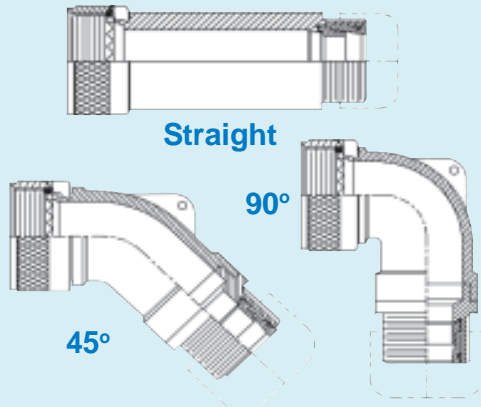
## How to Order Circular Connector Backshells



How  
to Order

### Angle and Profile

The art of successful backshell selection includes specifying the most appropriate shape and cable entry for each connector accessory.



This selection determines working room, repairability, cable routing and the elimination of acute angles. In addition to straight backshells, the range of angles and profiles offered by Glenair include:

- 45° Elbow - Standard Profile
- 45° Elbow - Low Profile
- 45° Elbow - Full Radius Profile
- 45° Elbow - Low Profile Split Shell
- 90° Elbow - Standard Profile
- 90° Elbow - Low Profile
- 90° Elbow - Full Radius Profile
- 90° Elbow - Low Profile Split Shell
- 90° Elbow - Ultra Low Profile Split Shell "Cobra"

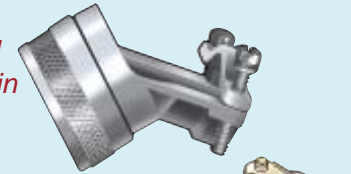
**(2) Select the Connector Designator:** This alphabetic symbol or "designator" is used to match each standardized connector family with the correct backshell thread and interface dimensions. Tables listing all the connector designators used by Glenair can be found beginning on page 15. MIL-DTL-5015 connector users must use an additional manufacturer symbol when ordering backshells. Please see pages 18 and 19 for more information.

**(3) Select the Basic Part Number:** This number fine-tunes your selection within the product

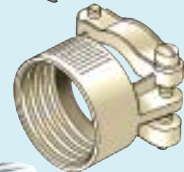
### Strain-Reliefs

Typical Mil-Aero cable assemblies often have over a hundred wires terminated to a single connector. Preventing the wires from pulling on the contacts and damaging the termination is critical, and is usually accomplished with a strain-relief cable clamp that serves to isolate the pulling strain applied to the cable. Strain relief on electrical connectors can be accomplished in other ways, such as with a wire service loop that allows the wire to move between the clamping device and the contact without over-stressing the termination. However the basic method of clamping the wire bundle or cable jacket with saddle bars has historically been the most common method of protecting contact terminations.

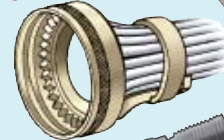
- *Straight and Angled Strain Reliefs*



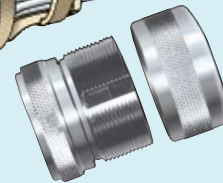
- *Light, Medium and Heavy-Duty Saddle Bars*



- *Qwik-Ty®*



- *QwikClamp®*



series. For example, for Series 39 EMI/RFI Cable Sealing Backshells, your Basic Part Number selection will tell the factory what style of shield termination technology you prefer and the level of environmental sealing desired. The Basic Part Number also selects for other attributes such as rotatable or direct coupling.

**(4) Select the Angle and Profile:** Choose 45°, 90° or straight backshells in either standard, low or full radius profiles. Selected parts are also available in Ultra Low Profile Split Shell versions.

**(5) Select the Finish Symbol:** This symbol, selected from the table on page 14 or from the same table inside the back cover, tells the factory what surface finish or plating should be applied to the product. In almost all cases this selection should match the material finish of your connector.

**(6) Select the Connector Shell Size Number:** The connector shell size number is taken from Table 1, located on page 13 and repeated again on the inside back cover. The connector shell size number ensures the backshell thread and interface dimensions will fit the chosen size connector. Find the shell size number in the appropriate column according to your connector designator. In certain cases, such as MIL-DTL 38999 Series I and II Connectors (designator F), we have combined both series under a single choice. Simply find your odd connector number or letter in the [brackets] and enter the adjacent number in your part number.

**(7) Select the Cable Entry Diameter:** This entry specifies the minimum and maximum diameter of cable the backshell accessory can accommodate. Cable entry selection tables are generally found right there on the page. If in doubt, err on the big side, as cables may always be enlarged with tape or a grommet.

**(8) Select the Strain Relief Style:** Most accessories that are able to accept saddle bar cable clamps offer a range of choices. The selection is usually based on the level or duty of strain-relief that is required, and design drawings of applicable options are featured right there on the catalog page.

**(9) Select Unique Options:** Other available options, such as drain holes, bands, wire attachment lengths, special material designators, and so on, are tacked on to the end of the part number. In some cases you will be asked to omit the code for a particular option if you do not want it included with the part.

### Shield Termination Devices

Selecting the most appropriate shield terminating backshell for a particular application requires a detailed analysis of the cable and the application environment in which the assembly will be used.

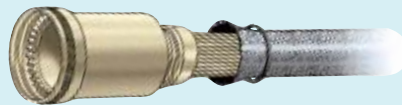
### EMI/RFI Backshell Designs

#### *Glenair TAG® Ring Backshells*



Glenair TAG® Ring Backshells offer a unique and reliable method of terminating individual wire shields.

#### *Raychem Tinel-Lock® Terminators*



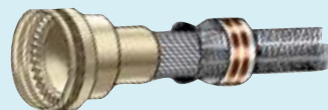
Glenair offers the Raychem Tinel-Lock® termination method. Applied heat causes the alloy ring to contract, clamping the shield to the backshell.

#### *Band-It® Termination System*



The unique low profile and smooth inside diameter of the *Band-It*® steel clamping band virtually eliminates EMI leakage paths, providing reliable and repairable shield terminations.

#### *Crimp Ring Termination System*



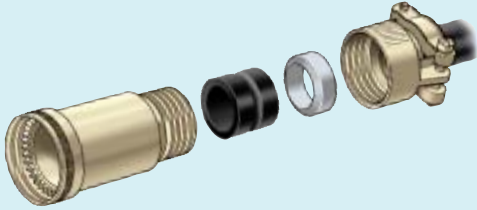
Crimp ring terminations provide an efficient approach to terminating overall cable and harness screens. Individually sized bands are required for each adapter and shield combination.

#### *Conical Ring Style Backshells*



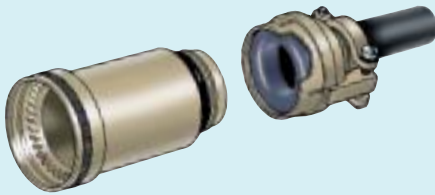
Glenair EMI/RFI conical ring backshells provide reliable individual and overall shield termination by securing the shield under pressure between a conically shaped backshell and ground ring.

### Cable Sealing Backshell Designs *Submersible Backshells*



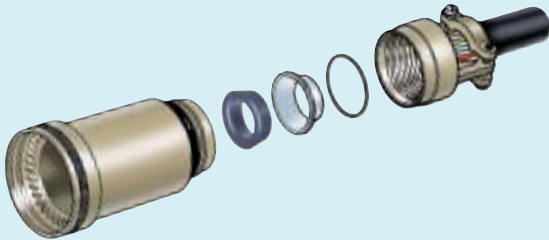
This Cable Sealing Backshell offers immersion protection to 6 ft. when used with impervious jacketed cables. A resilient grommet which fits into a counterbore in the backshell compresses and seals against the cable jacket when the threaded strain relief is tightened. This backshell is described as "submersible" throughout this catalog.

### *Water-Tight Backshells*



This Cable Sealing Backshell provides a resilient grommet as an integral part of the cable strain relief; it is described as "water-tight" throughout this catalog and prevents water incursion up to 3 ft.

### *Splash-Proof Backshells*



For applications requiring only moisture resistance and sealing against dust, Glenair offers these Environmental Resisting Backshells. An effective sealing barrier is created by a resilient grommet at the backshell cable entry. This backshell design is described as "splash-proof" in this catalog

There is no single shield termination technology or methodology that will meet every customer requirement. For this reason, Glenair supports every popular shield termination method with the full range of shell sizes, materials, platings and tooling, including:

- *Single and Multiple Conical Rings*
- *Crimp Rings*
- *Banding Terminations*
- *Castellated or Splined Rings*
- *Lampbase Thread Rings*
- *Radial Compression Springs*
- *Integrated Shield Socks*
- *Magnaforming*
- *Tinel™ Lock-Rings*

Customer selection depends on many factors, including cost, repairability, shield type and construction, cable diameter and type, cable jacket thickness, weight, shock and vibration, strain-relief, corrosion resistance and so on. The primary factor is cable construction: what type of shield is being terminated, where the shield or combination of shields is located within the cable or wire bundle, and how difficult the outer jacket is to work with. Customer preference, established methods and practices, tradition, manual skill levels and inspection procedures must also be considered.

The relative effectiveness of each style can be measured using a transfer impedance test. The transfer impedance test is the most widely accepted absolute measure of a shield's performance. It is used to evaluate cable shield performance against electrostatic discharge and radiated emissions coupling at frequency ranges up to 1 GHz. This testing method is recommended by the International Electrotechnical Commission as well as the military. Test reports for most standard termination technologies are available upon request from the factory.

### *Corrosion Protection in Electromagnetic Interconnect Systems*

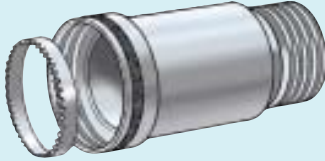
Glenair has a responsibility to deliver interconnect systems and hardware to its customers without "built-in" corrosion problems. As part of this effort we have pioneered the use of composite ther-



### Backshell-to-Connector Coupling

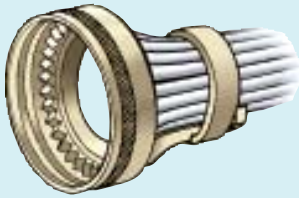
Glenair offers four different coupling styles to meet every application requirement:

#### *Direct Coupling*



Direct couplers thread directly onto the connector by rotating the entire part. A separate toothed follower provides backshell-to-connector grounding.

#### *Rotatable Coupling*



Rotatable designs utilize a free-spinning, toothed coupling nut for easier installation.

#### *Self-Locking, Rotatable Coupling*



Rotatable Self-Lockers add a ratcheted detent "clicker" to prevent de-coupling due to extreme vibration and shock.

#### *Positive-Lock, Non-Detent Coupling*



Glenair Mod Code -445 ("NESTOR") coupling mechanism corresponds to AS85049 style "N" non-detent, rotatable coupling with spring-loaded interface.

moplastic materials as an alternative to conductive metal materials and finishes. Composite products can eliminate corrosion problems completely in interconnect systems and should be considered for all harsh application environments.

The problems associated with corrosion are compounded by the need to produce parts which are electrically conductive. To prevent EMI from permeating into system electronics, conductive cable shielding is grounded to plated backshells and connectors to take the unwelcome EMI to earth. The challenge is to produce conductive, plated products which both prevent EMI and resist corrosion in harsh application environments. At Glenair this work takes place in three areas:

1. Strict attention to dissimilar metal combinations;
2. The specification of corrosion-resistant materials such as stainless steels and composites in severe environments wherever possible; and
3. The use of surface coatings such as nickel, zinc or gold plating to isolate base metals from reactive electrolytes.

The selection of compatible (non-galvanic) surface finishes is a critical step in backshell specification. To prevent dissimilar metal corrosion, customers should note material and finish specifications for connectors and cable shields before selecting connector accessory hardware. As a general rule, the backshell material and finish should match that of the chosen connector.

Electroless nickel plating (code M) provides a low resistance conductive finish appropriate for most H (magnetic) and E (electrical) field EMI applications, and is ideally suited for benign environments not exposed to salt-spray. For environmental applications, a sacrificial overplating, such as cadmium plate over electroless nickel (code NF), is recommended. Glenair zinc-nickel over electroless nickel (code ZN) may also be specified for environmental applications which require ASTM B 841-91 approval but are prohibited from using cadmium. Non-EMI applications may utilize nonconductive finishes such as Black Anodize (Code C). See Table II for other standard finish options.

**TABLE I - BACKSHELL INTERFACE DIMENSIONS**

CONNECTOR DESIGNATOR											A THREAD*	B	C	D	E
A	C*	D	E	F	G	H	J	K	L	S	REFERENCE	DIA MAX	DIA MAX	DIA MAX	DIA MAX
		08	08	08 [9]				08	08	08	7/16 - 28 UNEF	.590 (15.)	.650 (16.5)	.770 (19.6)	.690 (17.5)
						09 [A]					M12 x 1 - 6H	.650 (16.5)	.770 (19.6)		.940 (24.8)
08							08 [A]	10			1/2 - 20 UNF	.650 (16.5)	.650 (16.5)		.690 (17.5)
											1/2 - 28 UNEF	.650 (16.5)	.770 (19.6)	.770 (19.6)	
03		10	10	10 [11]							9/16 - 24 UNEF	.720 (18.3)	.770 (19.6)	.890 (22.6)	.820 (20.8)
						11 [B]					M15 x 1 - 6H	.770 (19.6)	.820 (20.8)		1.060 (26.9)
10								12 [13]			5/8 - 24 UNEF	.770 (19.6)	.770 (19.6)	.890 (22.6)	.820 (20.8)
								10 [B]			5/8 - 28 UN	.770 (19.6)	.890 (22.6)		
		12		12 [13]							11/16 - 24 UNEF	.840 (21.3)	.890 (22.6)	1.020 (25.9)	.940 (23.8)
						13 [C]					M18 x 1 - 6H	.890 (22.6)	.940 (23.9)		1.170 (29.7)
12 [7]	12		12		11 [A]			14 [15]			3/4 - 20 UNEF	.970 (24.6)	.940 (23.9)	1.020 (25.9)	.940 (23.8)
		14	14	14 [15]							13/16 - 20 UNEF	.970 (24.6)	1.020 (29.2)	1.150 (29.2)	1.060 (26.9)
						15 [D]					M22 x 1 - 6H	1.030 (26.2)	1.070 (26.2)		1.290 (32.7)
14 [12]	14					13 [B]		16 [17]			7/8 - 20 UNEF	1.090 (27.7)	1.020 (25.9)	1.150 (29.2)	1.060 (26.9)
								14 [D]			7/8 - 28 UN	1.030 (26.2)	1.150 (29.2)		
		16	16	16 [17]							15/16 - 20 UNEF	1.090 (27.7)	1.150 (29.2)	1.260 (32.0)	1.170 (29.7)
						17 [E]					M25 x 1 - 6H	1.150 (29.2)	1.210 (30.7)		1.420 (36.1)
16 [19]	16					15 [C]		18			1 - 20 UNEF	1.220 (29.2)	1.210 (30.7)	1.230 (31.2)	1.170 (29.7)
								16 [E]			1 - 28 UN	1.150 (29.2)	1.360 (34.5)		
18 [27]		18	18	18 [19]					18	18	1 1/16 - 18 UNEF	1.220 (31.0)	1.230 (31.2)	1.400 (35.6)	1.290 (32.7)
						19 [F]					M28 x 1 - 6H	1.280 (32.5)	1.360 (34.5)		1.540 (39.1)
	18					17 [D]		20			1 1/8 - 18 UNEF	1.340 (34.0)	1.360 (34.5)	1.360 (34.5)	
								18 [F]			1 1/8 - 28 UN	1.280 (32.5)	1.480 (37.6)		
20 [37]		20	20	20 [21]					20	20	1 3/16 - 18 UNEF	1.340 (34.0)	1.360 (34.5)	1.530 (38.9)	1.420 (36.0)
						21 [G]					M31 x 1 - 6H	1.410 (35.8)	1.480 (37.6)		1.670 (42.4)
	20					19 [E]		22			1 1/4 - 18 UNEF	1.470 (37.3)	1.530 (38.9)	1.480 (37.6)	
								20 [G]			1 1/4 - 28 UN	1.410 (35.8)	1.600 (40.6)		
22		22	22	22 [23]					22	22	1 5/16 - 18 UNEF	1.470 (37.3)	1.480 (37.6)	1.600 (40.6)	1.540 (39.1)
						23 [H]					M34 x 1 - 6H	1.530 (38.9)	1.600 (40.6)		2.010 (51.1)
	22							24			1 3/8 - 18 UNEF	1.590 (40.4)		1.600 (40.6)	
								22 [H]			1 3/8 - 28 UN	1.530 (38.9)	1.730 (43.9)		
24		24	24	24 [25]	23 [F]				24	24	1 7/16 - 18 UNEF	1.590 (40.4)	1.730 (43.9)	1.940 (49.3)	1.660 (42.2)
						25 [J]					M37 x 1 - 6H	1.660 (42.2)	1.700 (43.2)		2.120 (53.8)
61								24 [J]			1 1/2 - 18 UNEF	1.660 (42.2)	1.670 (42.4)		
											1 1/2 - 28 UN	1.660 (42.2)	1.940 (49.3)		
					25 [G]						1 9/16 - UNEF		1.820 (46.2)		
	24							28			1 5/8 - UNEF	1.840 (46.7)		1.940 (49.3)	
28											1 3/4 - 18 UNS	1.970 (50.0)	1.970 (50.0)		2.010 (51.1)
	28					29 [H]			32		1 7/8 - 16 UN	2.090 (53.1)	2.190 (55.6)	2.190 (55.6)	
32											2 - 18 UNS	2.280 (57.9)	2.220 (56.4)		2.260 (57.4)
	32					33 [J]					2 1/16 - 16 UNS	2.340 (59.4)	2.440 (62.0)	2.440 (62.0)	
								36			2 1/8 - 16 UN	2.340 (59.4)		2.440 (62.0)	
36											2 1/4 - 16 UN	2.530 (64.3)	2.47 (62.7)		2.530 (64.3)
	36										2 5/16 - 16 UNS	2.590 (65.8)		2.690 (68.3)	
								40			2 3/8 - 16 UN	2.590 (65.8)		2.690 (68.3)	
40											2 1/2 - 16 UN	2.780 (70.6)	2.720 (69.1)		3.040 (77.2)
	40										2 5/8 - 16 UN	2.910 (73.9)		2.930 (74.4)	
44											2 3/4 - 16 UN	3.030 (77.0)	2.970 (75.4)		
	44										2 7/8 - 16 UN	3.160 (80.3)			
48											3 - 16 UN	3.220 (81.8)	3.220 (81.8)		
	48										3 1/16 - 16 UN	3.410 (86.6)			

\* Code C, MIL-C-22992, Left-Hand Thread. Connector designations depicted thus [ ] are for reference only and are not to be used in part number development.

**BACKSHELL INTERFACE STANDARDS (See pages 15-17 for more information)**

DESIG. SPEC.	SERIES	DESIG. SPEC.	SERIES	DESIG. SPEC.	SERIES	DESIG. SPEC.	SERIES
A	MIL-DTL-5015 MS3400	A	PATT 602	G	MIL-C-28840	L	EN3372
	MIL-DTL-26482 2	B	MIL-DTL-5015 MS3100	H	MIL-DTL-38999 III & IV		JN 1003
	AS81703 3	C	MIL-C-22992 MS173XX		EN3645		LN 29729
	MIL-DTL-83723 I & III	D	MIL-DTL-26482 1	J	MIL-C-81511 1, 2, 3 & 4		NFC93422
	40M39569	E	MIL-DTL-26500 Aluminum		VG95329		PAN 6433-2
	DEF 5326-3	F	MIL-DTL-38999 I & II	K	MIL-DTL-83723 I		PATT 615
	EN 2997, 3646		40M38277				VG 96912
	ESC 10, 11		PAN 6433-1			S	PATT 105
	LN 29504		PATT 614				PATT 603
	NFC93422 HE302		PATT 616				PATT 608
	PAN 6432-1, -2		NFC93422 HE308, 9				



## Reference Information Standard Materials and Finishes

**TABLE II - STANDARD FINISHES**

GLENAIR SYMBOL	M85049 SYMBOL REFERENCE ONLY	FINISH	SPECIFICATION(S)
A		Cadmium Plate, Bright	AMS-QQ-P-416, Type I, Class 2
B		Cadmium Plate, Olive Drab	AMS-QQ-P-416, Type II, Class 3
C*	A	Anodize, Black	AMS-A-8625, Type II, Class 2
G*		Hard Coat, Anodic	AMS-A-8625, Type III, Class 1
J		Iridite, Gold Over Cadmium Plate Over Electroless Nickel	MIL-C-5541, Class 3 AMS-QQ-P-416, Type II, Class 3 over AMS-C-26074, Class 4, Grade B
LF		Cadmium Plate, Bright Over Electroless Nickel	1000 Hour Corrosion Resistance
M	N	Electroless Nickel	AMS-C-26074, Class 4, Grade B
N		Cadmium Plate, Olive Drab Over Electroless Nickel	AMS-QQ-P-416, Type II, Class 3 over Electroless Nickel AMS-C-26074
NC		Zinc Cobalt, Dark Olive Drab	96 Hour Corrosion Resistance
NF	W	Cadmium Plate, Olive Drab Over Electroless Nickel	1000 Hour Corrosion Resistance
T		Cadmium Plate, Bright Over Electroless Nickel	AMS-QQ-P-416, Type I, Class 3 ASTMB 733-90, SC2, Type I, Class 5, MIL-C-26074***
U		Cadmium Plate, Black	AMS-QQ-P-416, Type II, Class 3
ZU**		Cadmium Plate, Black	AMS-QQ-P-416, Type II, Class 3
ZN		Zinc-Nickel Alloy, Olive Drab	ASTMB 841-91, Over Electroless Nickel 1000 Hour Salt Spray

\* Anodize finish; not suitable for EMI Shielding or grounding applications.  
\*\* Applicable to corrosion resisting steel backshells and accessories. Consult factory for other available finishes.

The following standard materials are used for the majority of Glenair backshells and connector accessories. However, backshell components are not limited to those items listed, but are representative of

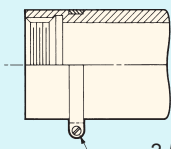
the elements used in Glenair's general accessory products. Contact Glenair for applicable specifications on items not listed below.

### STANDARD MATERIALS - BACKSHELLS AND ACCESSORIES

COMPONENT	MATERIAL	SPECIFICATION
Machined components: such as backshell bodies, fabricated elbows, protective covers, rotatable couplers, dummy stowage receptacles, lock nuts, G-spring support rings, EMI ground rings, grommet followers, etc.	Aluminum	AMS-QQ-A-200 ASTMB221, 209
Die cast components: such as angular backshells, strain relief backshells, strain relief bodies, strain relief saddles, special EMI ground rings, etc.	Aluminum	QQ-A-591 ASTMB85, 26
Backshells or strain reliefs: available in optional corrosion resisting steel; and hardware: such as screws, washers, rivets, wire rope, sash chain, band straps, etc.	Corrosion Resisting Steel	ASTMA582 (300 Series) AMS-QQ-S-763
Elastomeric seals: such as O-rings, cable jacket seals, grommets, etc.	Silicone	A-A-59588
	Fluorosilicone	MIL-DTL-25988
Anti-friction and thrust washers	Fluoropolymer	TFE
Anti-rotation device	Corrosion Resistant Material	N/A

#### BODY STRAP

Glenair offers an optional stainless steel body strap for attaching protective covers as illustrated. To specify body strap, add suffix letter C to the end of the part number. For example 360AS001M1610M6C.



2-56 Screw and Nut

#### NOTES

On all length callouts, tolerance is  $\pm .060$  unless otherwise specified.

Unless otherwise specified, the following other dimensional tolerances will apply:

- .xx =  $\pm .03$  (0.8)
- .xxx =  $\pm .015$  (0.4)
- Lengths =  $\pm .060$  (1.52)
- Angles =  $\pm 5^\circ$

Metric dimensions (mm) are indicated in parentheses

**NOTE: For your convenience these tables have been reproduced inside the back cover fold-out.**

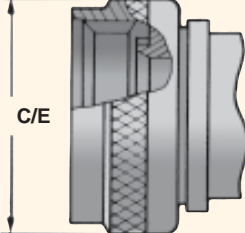
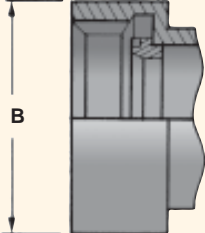
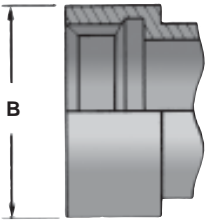
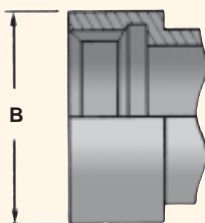
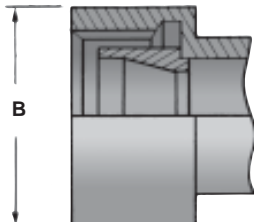


## Reference Information Backshell Interface Standards and Connector Designators



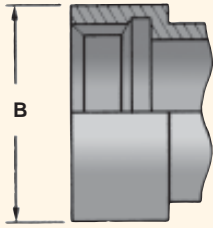
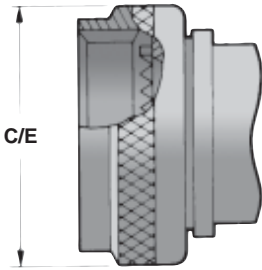
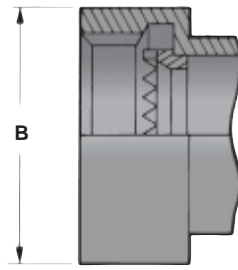
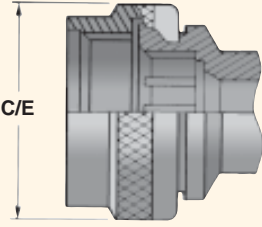
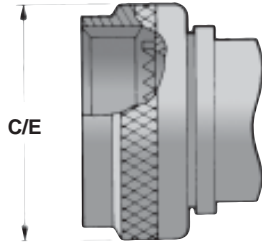
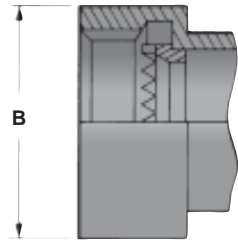
How  
to Order

The following illustrations depict the standard fitting or adapter interface for the connector noted. Specification design standards are indicated wherever applicable. Connector designators, used in accessory part number development are indicated in the left hand column. See pgs.18 and 19 for MIL-C-5015 (MS3100 Series) connectors.

CONNECTOR DESIGNATOR	CONNECTOR SPECIFICATION	SERIES	ROTATABLE COUPLING	DIRECT COUPLING
<b>A</b>	MIL-DTL-5015	MS3400		
	MIL-DTL-26482	2		
	MIL-C-81703	3		
	MIL-DTL-83723	I & III		
	40M39569			
	CECC 75201.001			
	DEF 5326-3			
	EN 2997			
	EN 3646			
	ESC 10			
	ESC 11			
	LN 29504			
	NFC 93422	HE302	AS85049 Figure 4 (MS3155)	
	PAN 6432-1			
	PAN 6432-2			
PATT 602				
<b>B</b>	MIL-DTL-5015	MS3100	SEE PAGES 18 & 19	
<b>C</b>	MIL-C-22992	MS173XX	CONSULTFACTORY	
<b>D</b>	MIL-DTL-26482	MS312X Series 1	CONSULTFACTORY	



Reference Information  
Backshell Interface Standards  
and Connector Designators

CONNECTOR DESIGNATOR	CONNECTOR SPECIFICATION	SERIES	ROTATABLE COUPLING	DIRECT COUPLING
<b>E</b>	MIL-DTL-26500	Aluminum (Class F, G & R)	CONSULT FACTORY	
<b>F</b>	MIL-DTL-38999 40M38277 NFC93422 NFC93422 PAN 6433-1 PATT 614 PATT 616  Caution: These connector interfaces are not suitable for total environmental sealing; for further information consult factory.	I & II  HE308 HE309		
			AS85049 FIGURE 2 MIL-DTL-38999 FIGURE 3	
<b>G</b>	MIL-C-28840			CONSULT FACTORY
			MIL-C-28840 FIGURE 7	
<b>H</b>	MIL-DTL-38999 EN3645 CECC 75201.002	III & IV		
			AS85049 FIGURE 3 MIL-DTL-38999 FIGURE 3	

Reference Information  
Backshell Interface Standards  
and Connector Designators



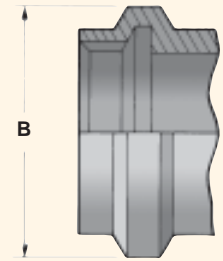
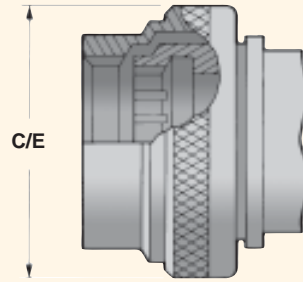
How  
to Order

CONNECTOR DESIGNATOR	CONNECTOR SPECIFICATION	SERIES	ROTATABLE COUPLING	DIRECT COUPLING
----------------------	-------------------------	--------	--------------------	-----------------

**J**

MIL-C-81511  
VG95329

1, 2, 3 & 4



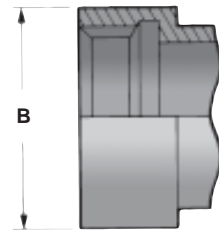
MIL-C-81511 FIGURE 12C

**K**

MIL-DTL-83723

Series II

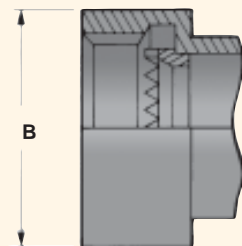
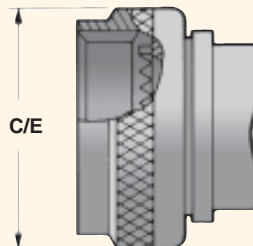
CONSULT FACTORY



**L**

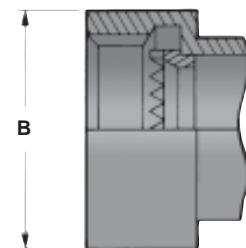
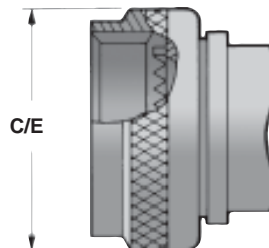
EN3372  
JN1003  
LN 29729  
NFC93422  
PAN6433-2  
PATT 615  
VG 96912

HE306



**S**

PATT 105  
PATT 603  
PATT 608



CONSULT FACTORY FOR CONNECTOR DESIGNATORS FOR SERIES NOT SHOWN, INCLUDING:  
MIL-C 27599, DEF 5325-3, PRL 54125, VG 95234 AND VG 95324

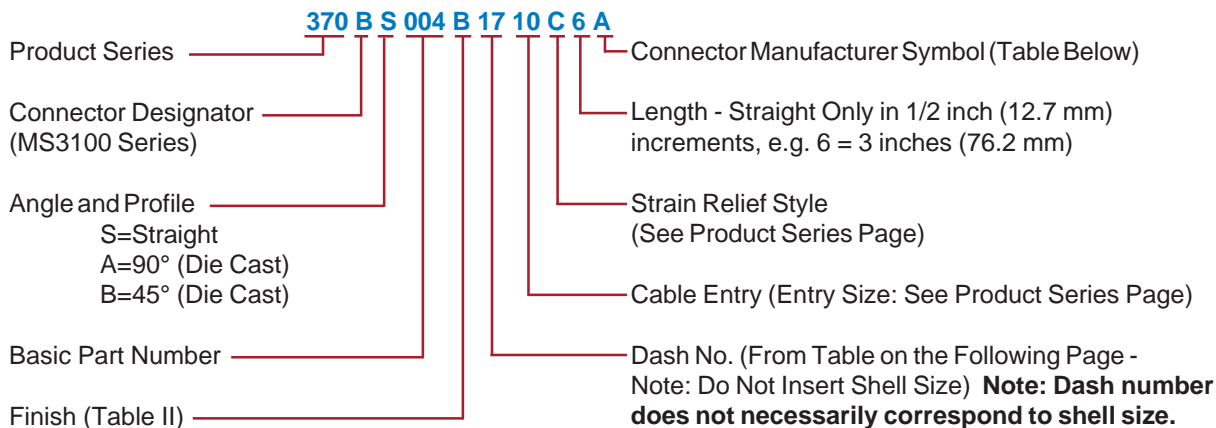


## Connector Designator "B" Ordering Information MIL-DTL-5015 Connector Fittings (MS3100 Series)

### *How to Order Backshells for Mil-DTL-5015 (MS3100 Series) Connectors*

The threads and interface dimensions on MIL-DTL-5015 solder-type connectors are unfortunately not standardized from one manufacturer to the next. As a result, there is limited interchangeability in many shell sizes and service classes amongst available MS3100 Series products. When ordering backshells for 5015 connectors it is therefore necessary to treat each connector manufacturer's product separately to ensure optimum compatibility of the backshell-to-connector interface. This is accomplished in two steps: (1) Use the connector designator "B" in the normal place in the part number to indicate to the factory that a MIL-DTL-5015 (MS3100 Series) connector is being used; and (2) Use an additional connector manufacturer symbol, as shown in the part number development example below, to indicate whose MIL-DTL-5015 product you are using. Connector manufacturer symbols for 5015 products are shown in the table below and pertinent connector fitting interface information is given on page 19.

Please Note: For proper use of Glenair backshells with MS3100 Series connectors, discard all rear hardware, including wire seal grommets, normally supplied with the connector. (This information does not apply to endbell extenders commonly supplied with MS3100A Series connectors.)



MIL-C-5015 CONNECTOR MANUFACTURER SYMBOLS			
SYMBOL	MANUFACTURER	CONNECTOR SERIES	CLASS
<b>A</b>	All	MS3100, 01, 06	A/E/F/R
<b>H</b>	Amphenol	MS3100, 01, 06 97 Series Blue Insert	A
<b>J</b>		MS3100, 01, 06	E/F/R
<b>L</b>	Amphenol/BCO	MS3100, 01, 06 10-214, 10-720 10-721, 10-726	A/E/F/R
<b>M</b>	Cannon	MS3100, 01, 06	A
<b>N</b>	Cannon	MS3100, 01, 063 CA00, 01, 06	E/F/R



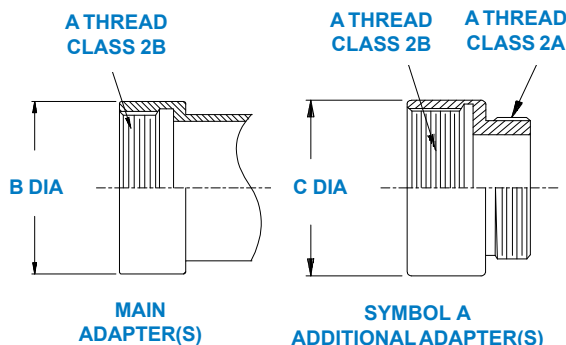
# Interface Dimensions MIL-DTL-5015 Connector Fittings (MS3100 Series)



How to Order

MS 3100 SERIES MANUFACTURER DESIGNATIONS						
DASH NO.	SHELL SIZE	CONN. MFG DESIG.	SEE NOTE 1	A THREAD CLASS 2B	B DIA MAX	C DIA NOM
01	8S	A	1	7/16 - 28 UNEF	.656 (16.7)	.625 (15.9)
02	8S	J, M, N,	2	7/16 - 28 UNEF	.656 (16.7)	.625 (15.9)
03	8S	L	3	3/8 - 32 UNEF	.607 (15.4)	.562 (14.3)
04	8S	H	3	7/16 - 27 UNS	.656 (16.7)	.625 (15.9)
05	10S	A	1	1/2 - 28 UNEF	.724 (18.4)	.687 (17.4)
06	10S	H, J, L, N	2	1/2 - 28 UNEF	.724 (18.4)	.687 (17.4)
07	10S	M	3	9/16 - 24 UNEF	.724 (18.4)	.687 (17.4)
08	10SL	A	1	9/16 - 24 UNEF	.724 (18.4)	.687 (17.4)
09	10SL	M, N	2	9/16 - 24 UNEF	.724 (18.4)	.687 (17.4)
10	10SL	H, J, L	3	5/8 - 24 UNEF	.848 (21.5)	.812 (20.6)
11	12, 12S	A	1	5/8 - 24 UNEF	.848 (21.5)	.812 (20.6)
12	12, 12S	L, N	2	5/8 - 24 UNEF	.848 (21.5)	.812 (20.6)
13	12, 12S	H, J, M	3	11/16 - 24 UNEF	.848 (21.5)	.812 (20.6)
14	12SL, 14, 14S	A	2	3/4 - 20 UNEF	.974 (24.7)	.937 (23.8)
15	16, 16S	A	2	7/8 - 20 UNEF	1.102 (28.0)	1.062 (27.0)
16	18	A	2	1 - 20 UNEF	1.220 (31.0)	1.187 (30.1)
17	20	A	1	1 1/8 - 18 UNEF	1.343 (34.1)	1.312 (33.3)
18	20	H,L,M,N	2	1 1/8 - 18 UNEF	1.343 (34.1)	1.312 (33.3)
19	20	J	3	1 1/8 - 24 UNS	1.343 (34.1)	1.312 (33.3)
20	22	A	2	1 1/4 - 18 UNEF	1.468 (37.3)	1.437 (36.5)
21	24	A	2	1 3/8 - 18 UNEF	1.593 (40.5)	1.562 (39.7)
22	28	A	2	1 5/8 - 18 UNEF	1.843 (46.8)	1.812 (46.0)
23	32	A	1	1 7/8 - 16 UN	2.125 (54.0)	2.062 (52.4)
24	32	L, M, N	2	1 7/8 - 16 UN	2.125 (54.0)	2.062 (52.4)
25	32	H, J	3	1 29/32 - 18 UNS	2.125 (54.0)	2.062 (52.4)
26	36	A	1	2 1/8 - 16 UN	2.375 (60.3)	2.312 (58.7)
27	36	M, N	2	2 1/8 - 16 UN	2.375 (60.3)	2.312 (58.7)
28	36	L	3	2 1/16 - 16 UNS	2.375 (60.3)	2.312 (58.7)
29	36	J	3	2 1/16 - 20 UNEF	2.375 (60.3)	1.312 (33.3)
30	36	H	3	2 1/8 - 18 UNS	2.375 (60.3)	2.312 (58.7)
31	40	A	1	2 3/8 - 16 UN	2.625 (66.7)	2.562 (65.1)
32	40	H, M, N	2	2 3/8 - 16 UN	2.625 (66.7)	2.562 (65.1)
33	40	L	3	2 5/16 - 16 UNS	2.625 (66.7)	2.562 (65.1)
34	44	A	2	2 5/8 - 16 UN	2.906 (73.8)	2.875 (73.0)
35	48	A	1	2 7/8 - 16 UN	3.156 (80.2)	3.125 (79.4)
36	48	H	2	2 7/8 - 16 UN	3.156 (80.2)	3.125 (79.4)
37	48	N	3	2 13/16 - 18 UNS	3.156 (80.2)	3.125 (79.4)

1. If the specific manufacturer is not known, order symbol A and corresponding dash number, for MS universal fit.
2. Symbol A mates with all connectors for each shell size.
3. Additional transition adapters may be supplied with symbol A for each shell size, as noted.





## Non-Standard Connector Reference Data

The following is a partial listing of non-standard circular connectors for which many backshell product series can be provided. Simply use the indicated Connector Designator in the part number development and include the applicable modification code as a suffix to the part number. Consult factory for connector series or types not listed.

**IMPORTANT NOTE: THE MODIFICATION CODES ON THIS PAGE ARE FOR REFERENCE ONLY, AND ARE TO BE USED ONLY AFTER FACTORY AUTHORIZATION HAS BEEN OBTAINED.**

SPECIFICATION	SERIES	CONN. DESIG.	MODIFICATION CODE
MIL-DTL-5015	MS3100 Series A Endbell	B	705
MIL-DTL-5015	MIL-C-5015 Rev. E	X	730
MIL-C-12520	UW	D	720
MIL-DTL-26482	MS3124	D	717
MIL-DTL-26482	MS3110	D	729
MIL-C-26500	Stainless Steel	E	710
MIL-C-38999 (III)	D38999/29, D38999/30	H	701
MIL-C-38999 (IV)	D38999/44	H	715
MIL-C-55116	U228, U229, etc.	X	709C
MIL-C-81582	M81582/1	X	719
MIL-C-81703 (I)	MS3132, MS3134, MS3137, etc.	X	706
MIL-C-81703 (II)	MS3140, MS3147, etc.	X	706B

SPECIFICATION	SERIES	CONN. DESIG.	MODIFICATION CODE
AMP, Inc.	CPC	X	700A
	Metal Shell CPC Plugs	X	700P
	Metal Shell CPC Receptacles	X	700R
Amphenol Products	67-06J	X	708
	164	X	709C
	246	X	704
	67 Minnie	X	724
Amphenol/Bendix	JTL07RE	F	716
Amphenol/Pyle National	ZZM (Star-Line)	X	721
Deutsch	DM	X	706
	DSM, RSM, RMK, SMK	X	706A
	DA, DD, DS, MDR, MDS	X	706B
	DTK	X	706C
	RTK, STK	X	706D
Elco Corp.	U-185/G	X	709B
FCI/Burndy	G Series Trim Trio GO, 1, 6, 8 & 9	D	722
FCI/Souriau et Cie	841, 842	X	712
Flight Connector	FC	X	703
	FZH6K	X	713
General Connector	U-290/U	X	709
	U-393/U	X	709A
Microdot	Marc 43, 53, 63	X	702

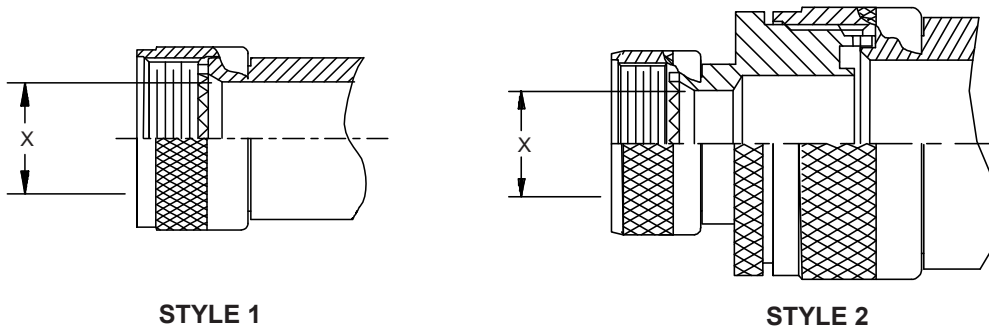
## Style 1/Style 2 Backshells General Information and Rotatable Coupling "X" Diameters



How  
to Order

### Style 1 and Style 2 Backshells

It is a simple fact that the front end of the backshell must fit the rear end of the connector shell. Likewise the rear end of the backshell must be large enough to accept the cable or wire bundle. When the target connector selected for an application is small, but the cable entry diameter selected is large, then a style 2 design (shown below) will automatically be produced by the factory. The stepped design of the Style 2 accommodates large shielded cables terminated to small connectors.



### Maximum Cable/Wire Bundle X Diameter for Style 1 Backshells With Rotatable Coupling

SHELL SIZE	X DIAMETER CONNECTOR DESIGNATOR						
	A	F	G	H	J	L	S
03	.260 (6.6)						
08/09	.260 (6.6)	.264 (6.7)		.299 (7.6)	.446 (11.3)	.299 (7.6)	.312 (7.9)
10/11	.365 (9.3)	.392 (10.0)	.367 (9.3)	.427 (10.8)	.571 (14.5)	.427 (10.8)	.429 (10.9)
12/13	.501 (12.7)	.506 (12.9)	.502 (12.8)	.541 (13.7)		.541 (13.7)	.554 (14.1)
14/15	.575 (14.6)	.631 (16.0)	.647 (16.4)	.666 (16.9)	.821 (20.9)	.641 (16.3)	.668 (17.0)
16/17	.700 (17.8)	.756 (19.2)	.744 (18.9)	.791 (20.1)	.946 (24.0)	.766 (19.5)	.793 (20.1)
18/19	.780 (19.8)	.845 (21.5)	.876 (22.3)	.897 (22.8)	1.071 (27.2)	.885 (22.5)	.888 (22.6)
20/21	.904 (23.0)	.970 (24.6)		1.022 (26.0)	1.196 (30.4)	.980 (24.9)	1.025 (26.0)
22/23	1.030 (26.2)	1.095 (27.8)	1.073 (27.3)	1.147 (29.1)	1.321 (33.6)	1.165 (29.6)	1.150 (29.2)
24/25	1.144 (29.1)	1.220 (31.0)	1.205 (30.6)	1.272 (32.3)	1.446 (36.7)	1.230 (31.2)	1.275 (32.4)
28/29	1.380 (35.1)		1.442 (36.6)				
32/33	1.625 (41.3)		1.640 (41.7)				
36	1.840 (46.7)						
40	2.055 (52.2)						
44	2.310 (58.7)						
48	2.560 (65.0)						
61	1.184 (30.1)						

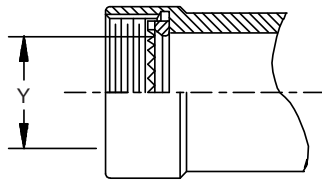
The F and H Dimensions in the above table are applicable only to environmental sealed connectors

Metric dimensions (mm) are indicated in parentheses

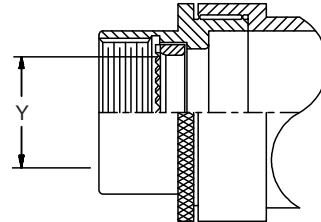


## Style 1/Style 2 Backshells General Information and Direct Coupling "Y" Diameters

### Maximum Cable/Wire Bundle Y Diameter for For Style 1 Backshells With Direct Coupling



STYLE 1



STYLE 2

SHELL SIZE	Y DIAMETER				
	A	C	D	E	F
03	.43 (10.9)				
08	.36 (9.1)		.30 (7.6)	.34 (8.6)	.30 (7.6)
10	.49 (12.4)		.42 (10.7)	.43 (10.9)	.43 (10.9)
12	.61 (15.5)	.610 (15.44)	.55 (14.0)	.59 (15.0)	.55 (14.0)
14	.74 (18.8)	.736 (18.69)	.68 (17.3)	.68 (17.3)	.68 (17.3)
16	.86 (21.8)	.855 (21.71)	.80 (20.3)	.78 (19.8)	.80 (20.3)
18	.93 (23.6)	.980 (24.89)	.93 (23.1)	.91 (23.6)	.93 (23.6)
20	1.05 (26.7)	1.105 (28.06)	1.05 (26.7)	1.04 (26.4)	1.05 (26.7)
22	1.18 (30.0)	1.230 (31.24)	1.18 (30.0)	1.17 (29.7)	1.18 (30.0)
24	1.30 (33.0)	1.480 (37.59)	1.30 (33.0)	1.29 (32.8)	1.30 (33.0)
28	1.61 (40.9)	1.723 (43.76)			
32	1.86 (47.2)	1.910 (48.51)			
36	2.11 (53.6)	2.160 (54.86)			
40	2.36 (59.9)	2.470 (62.74)			
44	2.61 (66.3)	2.780 (70.61)			
48	2.86 (72.6)	2.870 (72.89)			
61	1.30 (33.0)				

DASH NO.	Y DIAMETER	
	CONN. DESIGN. B	
01	.32 (8.1)	
02	.32 (8.1)	
03	.27 (6.9)	
04	.32 (8.1)	
05	.40 (10.2)	
06	.40 (10.2)	
07	.44 (11.2)	
08	.44 (11.2)	
09	.44 (11.2)	
10	.49 (12.4)	
11	.49 (12.4)	
12	.49 (12.4)	
13	.49 (12.4)	
14	.62 (15.7)	
15	.74 (18.8)	
16	.87 (22.1)	
17	.99 (25.1)	
18	.99 (25.1)	
20	1.12 (28.4)	
21	1.28 (32.5)	
22	1.49 (37.8)	
23	1.74 (44.2)	
24	1.74 (44.2)	
25	1.74 (44.2)	
26	1.86 (47.2)	
27	1.86 (47.2)	
28	1.93 (49.0)	
30	1.93 (49.0)	
31	2.18 (55.4)	
32	2.18 (55.4)	
33	2.18 (55.4)	
34	2.49 (63.2)	
35	2.74 (69.6)	
36	2.74 (69.6)	
37	2.62 (66.5)	

SHELL SIZE	Y DIAMETER				
	H	J	K	L	S
08		.46 (11.7)	.24 (6.1)	.30 (7.6)	.30 (7.6)
09	.30 (7.6)				
10		.59 (15.0)	.30 (7.6)	.43 (10.9)	.43 (10.9)
11	.43 (10.9)		.39 (9.9)		
12			.40 (10.2)	.55 (14.0)	.55 (14.0)
13	.55 (14.0)		.40 (10.2)		
14		.84 (21.3)	.48 (12.2)	.68 (17.3)	.68 (17.3)
15	.68 (17.3)		.48 (12.2)		
16		.96 (24.4)	.60 (15.2)	.80 (20.3)	.80 (20.3)
17	.80 (20.3)		.60 (15.2)		
18		1.09 (27.7)	.72 (18.3)	.93 (23.6)	.93 (23.6)
19	.93 (23.6)				
20		1.21 (30.7)	.86 (21.8)	1.05 (26.7)	1.05 (26.7)
21	1.05 (26.7)				
22		1.34 (34.0)	.97 (24.6)	1.18 (30.0)	1.18 (30.0)
23	1.18 (30.0)				
24		1.46 (37.1)	1.08 (27.4)	1.30 (33.0)	1.30 (33.0)
25	1.30 (33.0)				
28			1.24 (31.5)		
32			1.51 (38.4)		
36			1.75 (44.5)		
40			1.86 (47.2)		

Metric dimensions (mm) are indicated in parentheses



## Military Standard Connector Index



How  
to Order

The following is a listing of circular connectors defined by US Military Specifications, cross-referenced to the applicable active or inactive part number series. The

symbols in the Connector Designator column are an essential element in Glenair's backshell part number developments.

PART NO.	CONN. DESIG.	SPECIFICATION	SERIES	DESCRIPTION
MS3100	B	MIL-C-5015	MS3100	Receptacle, Wall Mtg (Solder)
MS3101	B	MIL-C-5015	MS3100	Receptacle
MS3102	**	MIL-C-5015	MS3100	Receptacle, Box Mtg (Solder)
MS3103	**	MIL-C-5015	MS3100	Receptacle, Potting (Solder)
MS3105	**	MIL-C-5015	MS3100	Dummy Receptacle
MS3106	B	MIL-C-5015	MS3100	Plug, Straight (Solder)
MS3107	B	MIL-C-5015	MS3100	Plug, Quick Disconnect (Solder)
MS3108	B	MIL-C-5015	MS3100	Plug, 90° (Solder)
MS3110	D-729	MIL-C-26482	1	Receptacle, Wall Mtg
MS3111	D	MIL-C-26482	1	Plug, Cable Connecting
MS3112	**	MIL-C-26482	1	Receptacle, Box Mtg
MS3113	**	MIL-C-26482	1	Receptacle, Solder Mtg
MS3114	D-717	MIL-C-26482	1	Receptacle, Jam Nut
MS3115	**	MIL-C-26482	1-2	Dummy Receptacle
MS3116	D	MIL-C-26482	1	Plug, Straight
MS3119	**	MIL-C-26482	1	Receptacle, Thru-Bulkhead
MS3120	D	MIL-C-26482	1	Receptacle, Wall Mtg, (Crimp)
MS3121	D	MIL-C-26482	1	Plug, Straight (Crimp)
MS3122	**	MIL-C-26482	1	Receptacle, Box Mtg, (Crimp)
MS3124	D-717	MIL-C-26482	1	Receptacle, Rear Mtg, Jam Nut (Crimp)
MS3126	D	MIL-C-26482	1	Plug, Straight (Crimp)
MS3127	**	MIL-C-26482	1	Receptacle, Box Mtg (Crimp)
MS3128	D	MIL-C-26482	1	Receptacle, Wall Mtg (Crimp)
MS3130	*	MIL-C-81703	1	Receptacle, Push Pull, Wide Flange
MS3132	X-706	MIL-C-81703	1	Receptacle, Push Pull, Box Mtg
MS3134	X-706	MIL-C-81703	1	Receptacle, Push Pull, Jam Nut
MS3135	**	MIL-C-81703	1	Dummy Receptacle
MS3137	X-706	MIL-C-81703	1	Plug, Straight, Push Pull
MS3138	X-706	MIL-C-81703	1	Plug, Lanyard, Push Pull
MS3139	**	MIL-C-81703	1	Receptacle, Thru-Bulkhead
MS3140	X-706B	MIL-C-81703	2	Receptacle, Push Pull, Wall Mtg
MS3142	**	MIL-C-5015	MS3100	Receptacle, Hermetic, Box Mtg
MS3143	**	MIL-C-5015	MS3100	Receptacle, Hermetic, Solder Mtg
MS3144	X-706B	MIL-C-81703	2	Receptacle, Push Pull, Jam Nut
MS3145	**	MIL-C-81703	3	Receptacle, Hermetic, Push Pull, Box Mtg
MS3146	**	MIL-C-81703	3	Receptacle, Push Pull, Hermetic, Solder Mtg
MS3147	X-706B	MIL-C-81703	2	Plug, Push Pull (Crimp)
MS3148	X-706B	MIL-C-81703	2	Plug, Push Pull, Lanyard (Crimp)
MS3149	**	MIL-C-81703	3	Receptacle, Push Pull, Hermetic
MS3400	A	MIL-C-5015	MS3400	Receptacle, Wall Mtg
* Consult factory				
** Connector does not accommodate rear accessories				



## Military Standard Connector Index

PART NO.	CONN. DESIG.	SPECIFICATION	SERIES	DESCRIPTION
MS3401	A	MIL-C-5015	MS3400	Receptacle, Cable Connecting
MS3402	**	MIL-C-5015	MS3400	Receptacle, Box Mtg
MS3404	A	MIL-C-5015	MS3400	Receptacle, Jam Nut
MS3406	A	MIL-C-5015	MS3400	Plug
MS3408	A	MIL-C-5015	MS3400	Plug, 90°
MS3409	A	MIL-C-5015	MS3400	Plug, 45°
MS3412	A	MIL-C-5015	MS3400	Receptacle, Wall Mtg
MS3424	A	MIL-C-81703	3	Receptacle, Push Pull, Wall Mtg
MS3440	**	MIL-C-26482	2	Receptacle, Narrow Flange Mtg (was M83723/9/10)
MS3442	**	MIL-C-26482	2	Receptacle, Wide Flange Mtg
MS3443	**	MIL-C-26482	2	Receptacle, Solder Flange Mtg
MS3445	*	MIL-C-81703	2	Plug, Push Pull, Rack & Panel Mtg
MS3446	A	MIL-C-81703	3	Plug, Rack & Panel
MS3449	**	MIL-C-26482	2	Receptacle, Single Hole Mtg
MS3450	A	MIL-C-5015	MS3450	Receptacle, Wall Mtg (was M83723/19/20)
MS3451	A	MIL-C-5015	MS3450	Receptacle, Cable Connecting (was M83723/17/18)
MS3452	**	MIL-C-5015	MS3450	Receptacle, Box Mtg (was M83723/21/22)
MS3454	A	MIL-C-5015	MS3450	Receptacle, Jam Nut
MS3456	A	MIL-C-5015	MS3450	Plug, Straight (was M83723/23/24)
MS3459	A	MIL-C-5015	MS3450	Plug, Straight, Self Locking (was M83723/52/53)
MS3463	**	MIL-C-81703	3	Receptacle, Push Pull
MS3464	A	MIL-C-81703	3	Receptacle, Push Pull, Jam Nut
MS3466	**	MIL-C-81703	3	Receptacle, Push Pull, Hermetic
MS3467	A	MIL-C-81703	3	Plug, Push Pull
MS3468	A	MIL-C-81703	3	Plug, Push Pull, Lanyard
MS3469	**	MIL-C-81703	3	Receptacle, Push Pull, Hermetic, Jam Nut
MS3470	A	MIL-C-26482	2	Receptacle, Narrow Flange Mtg (was M83723/1/2)
MS3471	A	MIL-C-26482	2	Receptacle, Cable Connecting (was M83723/7/8)
MS3472	A	MIL-C-26482	2	Receptacle, Wide Flange Mtg (was M83723/3/4)
MS3473	**	MIL-C-26482	2	Receptacle, Solder Mtg, Hermetic
MS3474	A	MIL-C-26482	2	Receptacle, Rear Mtg, Jam Nut (was M83723/5/6)
MS3475	A	MIL-C-26482	2	Plug, RFI Shielded (was M83723/42/43)
MS3476	A	MIL-C-26482	2	Plug, Straight (was M83723/13/14)
MS3477	**	MIL-C-26482	2	Receptacle Hermetic, Box Mtg
MS3479	**	MIL-C-26482	2	Receptacle, Hermetic, Rear Mtg, Jam Nut
MS17343	C	MIL-C-22992	R	Receptacle, Wall Mtg
MS17344	C	MIL-C-22992	R	Plug, Straight
MS17345	C	MIL-C-22992	R	Plug, Cable Connecting
MS17346	C	MIL-C-22992	R	Receptacle, Box Mtg
MS17347	C	MIL-C-22992	R	Receptacle, Jam Nut
MS17348	**	MIL-C-22992	R	Receptacle, Jam Nut, Box Mtg
MS18062	**	MIL-C-22992	R	Dummy Receptacle
MS20026	*	MIL-C-27599		Receptacle, Wall Mtg, Solder
MS20027	*	MIL-C-27599		Receptacle, Line
MS20028	*	MIL-C-27599		Plug, Straight
MS20029	**	MIL-C-27599		Receptacle, Jam Nut Mtg
MS20030	*	MIL-C-27599		Receptacle, Box Mtg, Hermetic

\* Consult factory  
\*\* Connector does not accommodate rear accessories

## Military Standard Connector Index



How  
to Order

PART NO.	CONN. DESIG.	SPECIFICATION	SERIES	DESCRIPTION
MS20031	**	MIL-C-27599		Receptacle, Jam Nut, Hermetic
MS20032	**	MIL-C-27599		Receptacle, Solder Mtg, Hermetic
MS20034	*	MIL-C-27599		Receptacle, Wall Mtg
MS20035	*	MIL-C-27599		Receptacle, Box Mtg
MS24264	E	MIL-C-26500	F, G & R	Receptacle, Flange Mtg
MS24265	E	MIL-C-26500	F, G & R	Receptacle, Single Hole Mtg
MS24266	E	MIL-C-26500	F, G & R	Plug, Straight
MS25183	**	MIL-C-5015	MS3100	Plug, Potting Seal
MS27034	**	MIL-C-26500		Receptacle, Hermetic, Solder Mtg
MS27334	*	MIL-C-27599		Receptacle, Wall Mtg
MS27335	**	MIL-C-27599		Receptacle, Box Mtg
MS27336	*	MIL-C-27599		Plug, Straight
MS27337	*	MIL-C-27599		Receptacle, Jam Nut
MS27338	*	MIL-C-27599		Receptacle, Wall Mtg, Hermetic
MS27339	**	MIL-C-27599		Receptacle, Box Mtg, Hermetic
MS27340	**	MIL-C-27599		Receptacle, Jam Nut Mtg, Hermetic
MS27341	**	MIL-C-27599		Receptacle, Solder Mtg, Hermetic
MS27466	F	MIL-C-38999	I	Receptacle, Wall Mtg
MS27467	F	MIL-C-38999	I	Plug, Straight
MS27468	F	MIL-C-38999	I	Receptacle, Jam Nut
MS27469	**	MIL-C-38999	I	Receptacle, Wall Mtg, Hermetic
MS27470	**	MIL-C-38999	I	Receptacle, Jam Nut, Hermetic
MS27471	**	MIL-C-38999	I	Receptacle, Solder Mtg, Hermetic
MS27472	F	MIL-C-38999	II	Receptacle, Wall Mtg
MS27473	F	MIL-C-38999	II	Plug, Straight
MS27474	F	MIL-C-38999	II	Receptacle, Jam Nut
MS27475	F	MIL-C-38999	II	Receptacle, Wall Mtg
MS27476	**	MIL-C-38999	II	Receptacle, Box Mtg, Hermetic
MS27477	**	MIL-C-38999	II	Receptacle, Jam Nut, Hermetic
MS27478	**	MIL-C-38999	II	Receptacle, Solder Mtg, Hermetic
MS27479	F	MIL-C-38999	II	Inactive Use MS27472
MS27480	F	MIL-C-38999	II	Inactive Use MS27473
MS27481	F	MIL-C-38999	II	Inactive Use MS27474
MS27482	F	MIL-C-38999	II	Inactive Use MS27475
MS27483	**	MIL-C-38999	II	Inactive Use MS27477
MS27484P	**	MIL-C-38999	II	Plug, Straight
MS27484T	F	MIL-C-38999	II	Plug, Straight
MS27496	**	MIL-C-38999	I	Receptacle, Box Mtg
MS27497	F	MIL-C-38999	II	Receptacle, Back Panel Wall Mtg
MS27498	F	MIL-C-38999	I	Plug, 90°
MS27499	**	MIL-C-38999	II	Receptacle, Box Mtg
MS27500	F	MIL-C-38999	II	Inactive See MS27473
MS27503	**	MIL-C-38999	II	Inactive See MS27478
MS27504	**	MIL-C-38999	II	Inactive See MS27499
MS27505	**	MIL-C-38999	I	Receptacle, Back Panel Box Mtg
MS27508	**	MIL-C-38999	II	Receptacle, Back Panel Box Mtg
MS27513	**	MIL-C-38999	II	Receptacle, Box Mtg

\* Consult factory  
 \*\* Connector does not accommodate rear accessories



## Military Standard Connector Index

PART NO.	CONN. DESIG.	SPECIFICATION	SERIES	DESCRIPTION
MS27515	F	MIL-C-38999	I	Inactive Use MS27656
MS27613	E-710	MIL-C-26500K		Receptacle, Panel Mtg
MS27614	E-710	MIL-C-26500K		Receptacle, D-Hole Mtg
MS27615	E-710	MIL-C-26500K		Plug, Straight
MS27652	F	MIL-C-38999	I	Inactive Use MS27466
MS27653	F	MIL-C-38999	I	Inactive Use MS27467
MS27654	F	MIL-C-38999	I	Inactive Use MS27656
MS27656	F	MIL-C-38999	I	Receptacle, Back Panel, Wall Mtg
MS27661	F-752	MIL-C-38999	I	Plug, Lanyard Release
MS27662	**	MIL-C-38999	I	Receptacle, Thru-Bulkhead
MS27664	**	MIL-C-38999	II	Receptacle, Back-Panel Wall Mtg
MS27665	F	MIL-C-38999	I	Plug, Rack & Panel Mtg
MS27667	**	MIL-C-38999	II	Receptacle, Thru-Bulkhead
MS90555	*	MIL-C-22992	L	Receptacle, Wall Mtg
MS90556	*	MIL-C-22992	L	Plug, Straight
MS90557	*	MIL-C-22992	L	Plug, Cable Connecting
MS90558	*	MIL-C-22992	L	Receptacle, W/Coupling Ring, Wall Mtg
M28840/10	G	MIL-C-28840		Receptacle, Wall Mtg
M28840/11	G	MIL-C-28840		Receptacle, Cable Connecting
M28840/12	**	MIL-C-28840		Receptacle, Box Mtg
M28840/14	G	MIL-C-28840		Receptacle, Jam Nut
M28840/16	G	MIL-C-28840		Plug, Straight
D38999/20	H	MIL-C-38999	III	Receptacle, Wall Mtg
D38999/21	**	MIL-C-38999	III	Receptacle, Hermetic
D38999/23	**	MIL-C-38999	III	Receptacle, Hermetic, Jam Nut
D38999/24	H	MIL-C-38999	III	Receptacle, Jam Nut
D38999/25	**	MIL-C-38999	III	Receptacle, Hermetic, Solder Mtg
D38999/26	H	MIL-C-38999	III	Plug, Straight
D38999/27	**	MIL-C-38999	III	Receptacle, Hermetic, Weld Mtg
D38999/29	H-701	MIL-C-38999	III	Plug, Lanyard Release
D38999/30	H-701	MIL-C-38999	III	Plug, Lanyard Release
D38999/40	H	MIL-C-38999	IV	Receptacle, Wall Mtg
D38999/42	H	MIL-C-38999	IV	Receptacle, Box Mtg
D38999/44	H-715	MIL-C-38999	IV	Receptacle, Jam Nut
D38999/46	H	MIL-C-38999	IV	Plug, Straight, EMI
D38999/47	H	MIL-C-38999	IV	Plug, Straight
M81511/1	J	MIL-C-81511	2	Receptacle, Flange Mtg
M81511/2	**	MIL-C-81511	2	Receptacle, Solder Flange
M81511/3	J	MIL-C-81511	2	Receptacle, Jam Nut
M81511/4	**	MIL-C-81511	2	Receptacle, Jam Nut
M81511/5	J	MIL-C-81511	2	Plug, Cable Connecting
M81511/6	J	MIL-C-81511	2	Plug
M81511/21	J	MIL-C-81511	1	Receptacle, Flange Mtg
M81511/22	**	MIL-C-81511	1	Receptacle, Solder Flange Mtg
M81511/23	J	MIL-C-81511	1	Receptacle, Jam Nut
M81511/24	**	MIL-C-81511	1	Receptacle, Jam Nut
M81511/25	J	MIL-C-81511	1	Receptacle, Cable Connecting

\* Consult factory  
\*\* Connector does not accommodate rear accessories



## Military Standard Connector Index



How  
to Order

PART NO.	CONN. DESIG.	SPECIFICATION	SERIES	DESCRIPTION
M81511/26	J	MIL-C-81511	1	Plug
M81511/27	**	MIL-C-81511	1	Receptacle Thru-Bulkhead, Jam Nut
M81511/28	**	MIL-C-81511	2	Receptacle, Thru-Bulkhead, Single Hole Mtg
M81511/31	J	MIL-C-81511	2	Receptacle, Flange Mtg
M81511/32	J	MIL-C-81511	2	Receptacle, Jam Nut Mtg
M81511/33	J	MIL-C-81511	2	Receptacle, Cable Connecting
M81511/34	J	MIL-C-81511	2	Plug
M81511/35	J	MIL-C-81511	1	Receptacle, Flange Mtg
M81511/36	J	MIL-C-81511	1	Receptacle, Jam Nut
M81511/37	J	MIL-C-81511	1	Receptacle, Cable Connecting
M81511/38	J	MIL-C-81511	1	Plug
M81511/41	J	MIL-C-81511	3	Receptacle, Flange Mtg
M81511/42	**	MIL-C-81511	3	Receptacle, Solder Flange Mtg
M81511/44	**	MIL-C-81511	3	Receptacle, Jam Nut
M81511/45	J	MIL-C-81511	3	Receptacle, Cable Connecting
M81511/46	J	MIL-C-81511	3	Plug
M81511/47	**	MIL-C-81511	3	Receptacle, Solder Flange Mtg
M81511/48	**	MIL-C-81511	3	Receptacle, Jam Nut
M81511/49	J	MIL-C-81511	3	Receptacle, Jam Nut
M81511/50	**	MIL-C-81511	4	Receptacle, Jam Nut
M81511/51	J	MIL-C-81511	4	Receptacle, Flange Mtg
M81511/52	**	MIL-C-81511	4	Receptacle, Solder Flange Mtg
M81511/53	J	MIL-C-81511	4	Receptacle, Jam Nut
M81511/54	**	MIL-C-81511	4	Receptacle, Jam Nut
M81511/55	J	MIL-C-81511	4	Receptacle, Cable Connecting
M81511/56	J	MIL-C-81511	4	Plug
M81511/57	**	MIL-C-81511	4	Receptacle, Solder Flange Mtg
M81582/1	*	MIL-C-81582		Receptacle, Single Hole Mtg
M81582/2	*	MIL-C-81582		Plug, Lanyard Release
M83723/1	A	MIL-C-83723	I	Superseded by MS3470
M83723/2	A	MIL-C-83723	I	Superseded by MS3470
M83723/3	A	MIL-C-83723	I	Superseded by MS3472
M83723/4	A	MIL-C-83723	I	Superseded by MS3472
M83723/5	A	MIL-C-83723	I	Superseded by MS3474
M83723/6	A	MIL-C-83723	I	Superseded by MS3474
M83723/7	A	MIL-C-83723	I	Superseded by MS3471
M83723/8	A	MIL-C-83723	I	Superseded by MS3471
M83723/9	**	MIL-C-83723	I	Superseded by MS3440
M83723/10	**	MIL-C-83723	I	Superseded by MS3442
M83723/11	**	MIL-C-83723	I	Superseded by MS3443
M83723/12	**	MIL-C-83723	I	Superseded by MS3443
M83723/13	A	MIL-C-83723	I	Superseded by MS3476
M83723/14	A	MIL-C-83723	I	Superseded by MS3476
M83723/17	K	MIL-C-83723	II	Superseded by MS3451
M83723/18	K	MIL-C-83723	II	Superseded by MS3451
M83723/19	K	MIL-C-83723	II	Superseded by MS3450
M83723/20	K	MIL-C-83723	II	Superseded by MS3450

\* Consult factory  
\*\* Connector does not accommodate rear accessories



## Military Standard Connector Index

PART NO.	CONN. DESIG.	SPECIFICATION	SERIES	DESCRIPTION
M83723/21	**	MIL-C-83723	II	Superseded by MS3452
M83723/22	**	MIL-C-83723	II	Superseded by MS3452
M83723/23	K	MIL-C-83723	II	Superseded by MS3456
M83723/24	K	MIL-C-83723	II	Superseded by MS3456
M83723/25	**	MIL-C-83723	II	Superseded by MS3142
M83723/26	**	MIL-C-83723	II	Superseded by MS3143
M83723/36	A	MIL-C-83723	I	Inactive For New Design
M83723/37	A	MIL-C-83723	I	Inactive For New Design
M83723/38	A	MIL-C-83723	I	Inactive For New Design
M83723/39	A	MIL-C-83723	I	Inactive For New Design
M83723/40	A	MIL-C-83723	I	Inactive For New Design
M83723/41	A	MIL-C-83723	I	Inactive For New Design
M83723/42	A	MIL-C-83723	I	Superseded by MS3475
M83723/43	A	MIL-C-83723	I	Superseded by MS3475
M83723/45	**	MIL-C-83723	I	Superseded by MS3115
M83723/48	A	MIL-C-83723	I	Inactive For New Design
M83723/49	A	MIL-C-83723	I	Inactive For New Design
M83723/52	K	MIL-C-83723	II	Superseded by MS3459
M83723/53	K	MIL-C-83723	II	Superseded by MS3459
M83723/66	A	MIL-C-83723	III	Plug, Push Pull (Pin Contacts)
M83723/67	A	MIL-C-83723	III	Plug, Push Pull (Socket Contacts)
M83723/68	A	MIL-C-83723	III	Plug, Push Pull Lanyard, (Pin Contacts)
M83723/69	A	MIL-C-83723	III	Plug, Push Pull, Lanyard, (Socket Contacts)
M83723/71	A	MIL-C-83723	III	Receptacle, Bayonet, Flange Mtg, (Socket Contact)
M83723/72	A	MIL-C-83723	III	Receptacle, Bayonet, Flange Mtg, (Pin Contact)
M83723/73	A	MIL-C-83723	III	Receptacle, Bayonet, Single Hole Mtg, (Socket Contact)
M83723/74	A	MIL-C-83723	III	Receptacle, Bayonet Single Mtg, (Pin Contact)
M83723/75	A	MIL-C-83723	III	Plug, Bayonet (Socket Contact)
M83723/76	A	MIL-C-83723	III	Plug, Bayonet (Pin Contact)
M83723/77	A	MIL-C-83723	III	Plug, Bayonet, RFI (Socket Contact)
M83723/78	A	MIL-C-83723	III	Plug, Bayonet, RFI (Pin Contact)
M83723/79	**	MIL-C-83723	III	Receptacle, Bayonet Flange Mtg, Hermetic
M83723/80	**	MIL-C-83723	III	Receptacle, Bayonet Solder Flange Mtg, Hermetic
M83723/81	**	MIL-C-83723	III	Receptacle, Bayonet Single Hole Mtg, Hermetic
M83723/82	A	MIL-C-83723	III	Receptacle, Threaded, Flange Mtg, (Socket Contact)
M83723/83	A	MIL-C-83723	III	Receptacle, Threaded, Flange Mtg, (Pin Contact)
M83723/84	A	MIL-C-83723	III	Receptacle, Threaded Single Hole Mtg, (Socket Contact)
M83723/85	A	MIL-C-83723	III	Receptacle, Threaded Single Hole Mtg, (Pin Contact)
M83723/86	A	MIL-C-83723	III	Plug, Threaded, (Socket Contact)
M83723/87	A	MIL-C-83723	III	Plug, Threaded, (Pin Contact)
M83723/88	**	MIL-C-83723	III	Receptacle, Threaded, Flange Mtg, (Pin Contact)
M83723/89	**	MIL-C-83723	III	Receptacle, Threaded, Single Hole Mtg, Hermetic
M83723/90	**	MIL-C-83723	III	Receptacle, Threaded, Solder Flange Mtg, Hermetic
M83723/91	A	MIL-C-83723	III	Plug, Threaded, RFI (Socket Contact)
M83723/92	A	MIL-C-83723	III	Plug, Threaded, RFI (Pin Contact)
M83723/93	**	MIL-C-83723	III	Receptacle, Bayonet, Solder Flange Mtg, Hermetic
M83723/94	**	MIL-C-83723	III	Receptacle, Bayonet, Single Hole Mtg, Hermetic

\* Consult factory  
\*\* Connector does not accommodate rear accessories

## Military Standard Connector Index



How  
to Order

PART NO.	CONN. DESIG.	SPECIFICATION	SERIES	DESCRIPTION
M83723/95	A	MIL-C-83723	III	Plug, Threaded, (Socket Contact), Self Locking
M83723/96	A	MIL-C-83723	III	Plug, Threaded, (Pin Contact), Self Locking
M83723/97	A	MIL-C-83723	III	Plug, Threaded, RFI (Socket Contact), Self Locking
M83723/98	A	MIL-C-83723	III	Plug, Threaded, RFI (Pin Contact), Self Locking
NATC00	H*	SSQ21635		Receptacle, Flange
NATC06	H*	SSQ21635		Plug
NATC07	H*	SSQ21635		Receptacle, Jam Nut
NATC09	***	SSQ21635		Receptacle, Weld Mtg
NATC77	***	SSQ21635		Receptacle, Jam Nut
NATC99	***	SSQ21635		Receptacle, Weld Mtg
NBO	A	40M39569		Receptacle, Flange Mtg
NBOH	**	40M39569		Receptacle, Hermetic
NB3H	**	40M39569		Receptacle, Hermetic
NB4	A	40M39569		Receptacle, Flange Mtg
NB5H	**	40M39569		Thru-Bulkhead, Hermetic
NB6	A	40M39569		Plug, Straight
NB6G	A	40M39569		Plug, Straight, EMI
NB7	A	40M39569		Receptacle, Jam Nut
NB7H	**	40M39569		Receptacle, Hermetic
NB8H	**	40M39569		Receptacle, Hermetic
NLSO	F	40M38277		Receptacle, Flange Mtg
NLS3H	**	40M38277		Receptacle, Hermetic
NLS6	F	40M38277		Plug, Straight
NLS6G	F	40M38277		Plug, Straight, EMI
NLS7	F	40M38277		Receptacle, Jam Nut
NLS7H	**	40M38277		Receptacle, Jam Nut
NZGL00	H**	SSQ21635		Receptacle, Flange
NZGL03	***	SSQ21635		Receptacle, Lever
NZGL06	H**	SSQ21635		Plug
NZGL07	H**	SSQ21635		Receptacle, Weld Mtg
NZGL09	***	SSQ21635		Receptacle, Weld Mtg
NZGL66	H**	SSQ21635		Plug
NZGL77	***	SSQ21635		Receptacle, Jam Nut
NZGL99	***	SSQ21635		Receptacle, Weld Mtg
* Consult factory				
** Connector does not accommodate rear accessories				
H* NATC Series size 09 through 25 mates to Glenair Connector Designator H, consult factory for sizes 33 & 37				
H** NZGL Series requires special accessories manufactured by Glenair, consult factory				
*** Connector noted does not have accessory thread. (NZGL and NATC hermetic/control leakage classes.)				



## Connector-Backshell Interface Index

The following are lists of specifications and associated connector manufacturers' part number series with common rear accessory interfaces. These listings do not imply qualification status of the manufacturers indicated for each specification series. The listings are for the purpose of identification of common interface data

under the applicable Connector Designator symbol, an essential element used in Glenair's accessory part number developments.

For connector manufacturers' part number series not shown in these listings, please consult factory for applicable accessory part numbers.

CONN. DESIG.	SPECIFICATION	CONNECTOR MANUFACTURER	MANUFACTURER SERIES
<b>A</b>	MIL-DTL-5015	Aero-Electric Connector	AE55
	MS3400	Flight Connector	FF
	MS3450	J-Tech	JT 3400 / JT3450
		ITT Cannon	CV340 / CV345
	MIL-DTL-26482 Series II	Aero-Electric Connector	AE77
		Amphenol	PTS-DR / 91-483 / 118
		Deutsch ECD	AFD5
		Souriau	8526
		ITT Cannon	PV7
	MIL-C-81703 Series III	Deutsch ECD	DBA5 / D817
	MIL-DTL-83723 Series I	Amphenol	PTS-DR / 01-483 / 118
		ITT Cannon	PVA
		ITT Cannon UK Limited	PV-S
		Deutsch ECD	AFD
	MIL-DTL-83723 Series III	Amphenol Products	518
	Amphenol/Pyle National	B	
	Deutsch ECD	DL6 / 837	
	ITT Cannon	MF	
	Labinal/Cinch	CN0930	
40M39569	Deutsch ECD	DBA / 381	
	ITT Cannon	PV-G	
	Souriau		
CECC 75201.001	Amphenol-Tuchel	602GB	
DEF 5326-3	Amphenol/Pyle National		
ESC10	Compagnie Deutsch	983	
	Souriau	8533	
	Hi-Rel Connectors Inc.		
	ITT Cannon UK Limited		
	Sealtron Inc.		



## Connector-Backshell Interface Index



How  
to Order

CONN. DESIG.	SPECIFICATION	CONNECTOR MANUFACTURER	MANUFACTURER SERIES
<b>A</b>	ESC 11	Amphenol/Pyle National Compagnie Deutsch Souriau	8534
	LN 29504	Amphenol Limited	118 / 652
		Amphenol-Tuchel	118 / 652
		Compagnie Deutsch	AFD / DFE / FDDBA
		Souriau	8525
		ITT Cannon UK Ltd.	PVW
	NFC93422 / HE302	ITT Cannon Electric GmbH	PVW
		Souriau	8525
	PAN 6432-1	Amphenol Limited	602GB
		Amphenol-Tuchel	602GB
		ITT Cannon UK Ltd.	PVX
		ITT Cannon Electric GmbH	PVX
Compagnie Deutsch Deutsch Ltd		AFD RR	
PAN 6432-2	Souriau	8526	
	Compagnie Deutsch Deutsch Ltd	DBAS DBAS	
PATT 602	Amphenol Limited	602GB	
	Amphenol-Tuchel	602GB	
	Deutsch Ltd.	RR	
	Souriau	8526	
VG 95328	ITT Cannon UK Ltd.	PVX	
	Cie Deutsch	951-50	
	Compagnie Deutsch	DVG / 951-50	
<b>B</b>	MIL-DTL-5015	Amphenol	69 / 97 / SC / SM / 10-72 / 10-214 / 71
	MS3100	ITT Cannon	CA-E/R / CA-RX
<b>C</b>	MIL-C-22992	Amphenol	QWLD
	MS173XX Class C, J, R	ITT Cannon	CWLD
<b>D</b>	MIL-DTL-26482	Amphenol	BG / MF-S / PT / PT-SE
		Burndy	BT / G / L / L-T / M-T
		Deutsch ECD	BTK / LPT / 450 / 460
		ITT Cannon	KPSE / KPT / KPTC
		ITT Cannon	VPT
<b>E</b>	MIL-C-26500	Aero-Electric Connector	AE66
		Amphenol/Pyle National	ZZW / ZZY
		Labinal/Cinch	48
		RMS	RO
		Deutsch E.C.D.	BMS

CONN. DESIG.	SPECIFICATION	CONNECTOR MANUFACTURER	MANUFACTURER SERIES
<b>F</b>	MIL-DTL-38999 Series I	Aero-Electric Connectors	AE46 / AE49
		Amphenol	LJT-R / 418-1
		Souriau	8LT
		ITT Cannon	KJL
	MIL-DTL-38999 Series II	AB Electronics	CT-R
		Aero-Electric Connectors	AE47 / AE48
		Amphenol	JT-R / 418-2
		Souriau	8T
		ITT Cannon	KJ
	40M38277	Amphenol	JT-R / 10-475
		ITT Cannon	KJ
	NFC 93422	Souriau	8LT
	HE308	ITT Cannon Electric France	KJL
	NFC 93422	Souriau	8T
HE309	ITT Cannon Electric France	KJ	
PAN 6433-1	Amphenol Limited	JT / JTP	
	AB Electronics	CT	
	Souriau	8T	
	ITT Cannon Electric France	KJ	
	ITT Cannon UK Ltd.	KJ	
PATT 614	ITT Cannon Electric GmbH	KJ	
	ITT Cannon	TT / TTPQ	
	Amphenol Limited	418-2	
	Souriau	8T	
	ITT Cannon UK Ltd.	KJ	
PATT 616	ITT Cannon	TT	
	Amphenol Limited	418-1	
	Souriau	8LT	
	ITT Cannon UK Ltd.	KJL	
<b>G</b>	MIL-C-28840	Glenair	90
		G & H Technology	NC
		Hughes Connecting Devices	GTA
		ITT Cannon	KFS
		Sunbank	JSC
<b>H</b>	MIL-DTL-38999 Series III	Aero-Electric Connector	AE22
		Amphenol	TV-R / TVS / TVS-R
		Amphenol/Pyle National	T3
		Deutsch ECD	DTS
		Glenair	66
		Souriau	8D
	MIL-DTL-38999 Series IV	ITT Cannon	KJADIV4
		Deutsch ECD	PL
		Glenair	65
	CECC 75201.002	Flight Connector	BL
		G & H Technology	CNO
		Souriau	JVS
	Amphenol	TVRB	

## Connector-Backshell Interface Index



How  
to Order

CONN. DESIG.	SPECIFICATION	CONNECTOR MANUFACTURER	MANUFACTURER SERIES
<b>J</b>	MIL-C-81511 Series I-II	Amphenol	348
	MIL-C-81511 Series III-IV	Cie Deutsch Deutsch ECD	9-815 A815 / B815
	VG 95329	Amphenol Limited	348
		Amphenol-Tuchel	348
		Compagnie Deutsch Schaltbau GmbH	9-815 650 / 679
<b>K</b>	MIL-DTL-83723 Series II	Flight Connector ITT Cannon	FHA CVA
	<b>L</b>	JN 1003	Amphenol Limited
Deutsch Limited			HDJ
Souriau			8ST-034
ITT Cannon			STT
LN 29729		Amphenol Limited	SJT
		Souriau	8ST
		ITT Cannon Electric GmbH	CGK
NFC 93422, HE 306		Souriau	8ST
PAN 6433-2		Amphenol Limited	SJT
		Souriau	8ST
		ITT Cannon	STT
PATT 615		Amphenol Limited	SJT
	Souriau	8ST	
VG 96912	ITT Cannon	STT	
	Amphenol Limited	SJT	
	ITT Cannon Electric GmbH	CGK	
	Souriau	8ST	
<b>M</b>	"Mighty Mouse"	Glenair	80
<b>S</b>	PATT 105	Amphenol Limited	62GB
		AB Electronics	MK 8
		ITT Cannon	PT
	PATT 603	Amphenol Limited	162GB
		ITT Cannon UK Ltd.	KPSE
		AB Electronics	MK 12
		Souriau	851
PATT 608	ITT Cannon	PTSE	
	AB Electronics	MK 18	
<b>W</b>	Geo-Marine®	Glenair	22



## Connector Manufacturers' Index

This index of USA and international connector manufacturers provides a cross-reference of manufacturers' proprietary series designations to applicable specifications. This information does not imply qualification status but serves to indicate that the manufacturers' series is "in conformance with" the noted

specifications or documents. The symbols in the Connector Designator column are an essential element in Glenair's accessory part number developments. For connector manufacturers' part number series not shown in these listings, please consult factory for applicable accessory part numbers.

MFG SERIES	CONN. DESIG.	SPECIFICATION REFERENCE	SERIES
<b>Aero-Electric Connector Company</b>			
AE22	H	MIL-DTL-38999	III
AE46	F	MIL-DTL-38999	I
AE47	F	MIL-DTL-38999	II
AE48	F	MIL-DTL-38999	II
AE49	F	MIL-DTL-38999	I
AE55	A	MIL-DTL-5015	MS3400
AE66	E	MIL-DTL-26500	Aluminum
AE77	A	MIL-DTL-26482	II
AE83	A	MIL-DTL-83723	III
<b>AB Electronics</b>			
CT-R	F	MIL-DTL-38999	II
MK 8	S	PATT 105	
MK 12	S	PATT 603	
MK 18	S	PATT 608	
<b>Amphenol Limited</b>			
JT	F	PAN 6433-1	
SJT	L	JN 1003	
SJT	L	LN29729	
SJT	L	PAN 6433-2	
118	A	LN 29504	
162GB	S	PATT 603	
348	J	VG 95329	
418-1	F	PATT 616	
418-2	F	PATT 614	
418-5	L	NFC 93422	HE 306
418-5	L	PATT 615	
602GB	A	PAN 6432-1	
602GB	A	PATT 602	
62GB	S	PATT 105	
652	A	LN 29504	
<b>Amphenol Products</b>			
BG	D	MIL-DTL-26482	I
JT	*	MIL-C-27599	
JT-R	F	MIL-DTL-38999	II
JT-R	F	40M38277	
LJT	*	MIL-C-27599	
LJT-R	F	MIL-DTL-38999	I
MF-S	D	MIL-DTL-26482	I
PT	D	MIL-DTL-26482	I

MFG SERIES	CONN. DESIG.	SPECIFICATION REFERENCE	SERIES
<b>Amphenol Products (Continued)</b>			
PT-SE	D	MIL-DTL-26482	I
PTS-DR	A	MIL-DTL-26482	II
PTS-DR	A	MIL-DTL-83723	I
QWLD	C	MIL-C-22992	R
SC	B	MIL-DTL-5015	MS3100
SJT	L	LN 29729	
SM	B	MIL-DTL-5015	MS3100
TV	H	MIL-DTL-38999	III
TVRB	H	CECC 75201.002	III
TVS	H	MIL-DTL-38999	III
10-72	B	MIL-DTL-5015	MS3100
10-214	B	MIL-DTL-5015	MS3100
10-475	F	40M38277	
48	E	MIL-DTL-26500	Aluminum
69	B	MIL-DTL-5015	MS3100
97	B	MIL-DTL-5015	MS3100
118	A	MIL-DTL-26482	II
118	A	MIL-DTL-83723	I
246	*	MIL-DTL-5015	
348	J	MIL-C-81511	I-II
418-1	F	MIL-DTL-38999	I
418-2	F	MIL-DTL-38999	II
518	A	MIL-DTL-83723	III
71	B	MIL-DTL-5015	MS3100
91-483	A	MIL-DTL-26482	II
91-483	A	MIL-DTL-83723	I
<b>Amphenol/Pyle National</b>			
B	A	MIL-DTL-83723	III
T3	H	MIL-DTL-38999	III
ZZW	E	MIL-DTL-26500	Aluminum
ZZY	E	MIL-DTL-26500	Aluminum
	A	ESC 10, ESC 11	
<b>Amphenol/Tuchel Electronics GmbH</b>			
118	A	LN 29504	
162GB	*	VG 95328	
348	J	VG 95329	
602GB	A	DEF 5326-3	
602GB	A	PAN 6432-1	
602GB	A	PATT 602	
62GB	*	DEF 5326-3	
652	A	LN 29504	

\* Consult factory for backshell part numbers.

# Connector Manufacturers' Index



How  
to Order

MFG SERIES	CONN. DESIG.	SPECIFICATION REFERENCE	SERIES
<b>Cie Deutsch &amp; Compagnie Deutsch GmbH</b>			
AFD	A	LN 29504	
AFD	A	MIL-C-26482	I
AFD	A	PAN 6432-1	
DBAS	A	MIL-C-81703	III
DBAS	A	PAN 6432-2	
DFE	A	LN 29504	
DVG	A	VG 95328	
FDBA	A	LN 29504	
951	A	PRL 53125	
9.815	J	MIL-C-81511	III & IV
991	A	PAN 6432-4	
999.1	F	MIL-C-38999	I
	A	ESC 10	
	A	ESC 11	
<b>Deutsch Engineered Connecting Devices</b>			
AFD5	A	MIL-C-26482	II
AFD	A	MIL-C-83723	I
A815	J	MIL-C-81511	III
B815	J	MIL-C-81511	IV
BMS	E	MIL-C-26500	
BTK	D	MIL-C-26482	I
DBA	A	40M39569	
DBA7	A	MIL-C-81703	III
DTS	H	MIL-C-38999	III
DIV4	H	MIL-C-38999	IV
DL6	A	MIL-C-83723	III
D817	A	MIL-C-81703	III
LPT	D	MIL-C-26482	I
381	A	40M39569	
450	D	MIL-C-26482	I
460	D	MIL-C-26482	I
837	A	MIL-C-83723	III
<b>Deutsch Limited</b>			
LL	J	MIL-C-81511	III-IV
DBAS	A	PAN 6432-2	
DTS	H	MIL-C-38999	III
HDJ	L	JN 1003	
RR	A	PAN 6432-1	
RR	A	PATT 602	
RR70	A	MIL-C-81703	III
SLPT	*	MIL-C-26482	I

MFG SERIES	CONN. DESIG.	SPECIFICATION REFERENCE	SERIES
<b>Glenair</b>			
90	G	MIL-C-28840	
80	M	Mighty Mouse	800 Thru 805
22	W	Geo-Marine®	
<b>Souriau</b>			
BT	D	MIL-C-26482	I
G	D	MIL-C-26482	I
L	D	MIL-C-26482	I
L-T	D	MIL-C-26482	I
M-T	D	MIL-C-26482	I
JVS	H	CECC 75201.002	
8LT	F	MIL-C-38999	I
8LT	F	NFC 93422	HE 308
8ST	L	JN 1003	8ST-034
8ST	L	LN 29729	
8ST	L	NFC 93422	HE 306
8ST	L	PAN 6433-2	
8ST	L	PATT 615	
8ST	L	VG 96912	
8T	F	MIL-C-38999	II
8T	F	NFC 93422	HE 309
85	D	MIL-C-26482	I
851	S	PATT 603	
851-50	*	NFL53125	
851-50	*	VG 95328	
8525	A	NFC 93422	HE 302
8525.1	A	LN 29504	
8526	A	MIL-C-26482	II
8526	A	PAN 6432-1	
8526	A	PATT 602	
8533	A	EN 2992	
8533	A	ESC 10	
8534	A	ESC 11	8534
<b>Flight Connector Corporation</b>			
FC	*	MIL-C-5015	
FF	A	MIL-C-5015	MS3400
FH	*	MIL-C-5015	
FHA	K	MIL-C-83723	II
PL	H	MIL-C-38999	IV
<b>G &amp; H Technologies</b>			
BL	H	MIL-C-38999	IV
NC	G	MIL-C-28840	

\* Consult factory for backshell part numbers.





## Connector Manufacturers' Index

MFG SERIES	CONN. DESIG.	SPECIFICATION REFERENCE	SERIES
<b>ITT Cannon</b>			
CA3106B	*	VG95234	
CA-E / R	B	MIL-DTL-5015	MS3100
CA-RX	B	MIL-DTL-5015	MS3100
CVA	K	MIL-DTL-83723	II
CV340	A	MIL-DTL-5015	MS3400
CV345	A	MIL-DTL-5015	MS3450
KFS	G	MIL-C-28840	
KJ	F	MIL-DTL-38999	II
KJ	F	40M38277	
KJA	H	MIL-DTL-38999	III
KJL	F	MIL-DTL-38999	I
KPSE	D	MIL-DTL-26482	I
KPT	D	MIL-DTL-26482	I
MF	A	MIL-DTL-83723	III
PV-G	A	40M39569	
PVA	A	MIL-DTL-83723	I
PV7	A	MIL-DTL-26482	II
	A	ESC 10	KE, SE
<b>ITT Cannon Electric France SA</b>			
KJ	F	MIL-DTL-38999	II
KJ	F	PAN 6433-1	
KJL	F	MIL-DTL-38999	I
251	*	MIL-DTL-26482	I
<b>ITT Cannon UK Ltd.</b>			
KJ	F	PATT 614	
KPSE	D	MIL-DTL-26482	I
PV-S	A	MIL-DTL-83723	I
PVW	A	LN29504	
PVX	A	PAN 6432-1	
PVX	A	PATT 602	
	A	ESC 10	KE, SE
<b>ITT Cannon Electric GmbH</b>			
CA3106B	*	VG 95234	
CGK	L	LN 29729	
CWLD	C	MIL-C-22992	R
KJ	F	PAN 6433-1	
KPSE	*	VG 95328	
KPT	*	VG 95328	
PVW	A	LN 29504	
PVX	A	PAN 6432-1	

MFG SERIES	CONN. DESIG.	SPECIFICATION REFERENCE	SERIES
<b>J-Tech</b>			
JT 3400	A	MIL-DTL-5015	MS3400
JT 3450	A	MIL-DTL-5015	MS3450
JTVG95234	A	VG95234	
<b>Labinal/Cinch</b>			
CNO930	A	MIL-DTL-83723	III
48	E	MIL-DTL-26500	Aluminum
<b>RMS</b>			
RO		MIL-DTL-26500	Aluminum
<b>Schaltbau GmbH</b>			
650	J	VG 95329	
674	*	VG 95328	
675	*	VG 95328	
679	J	VG 95329	
<b>SICEM</b>			
SCB	*	VG 95234	
<b>Sunbank</b>			
JSC		MIL-DTL-28840	
<b>ITT Cannon</b>			
TT	F	PAN 6433-1	
PT	S	PATT 105	
PT-SE	S	PATT 603	
STT	L	LN 29729	
STT	L	PAN 6433-2	
STT	L	PATT 615	
STT	L	VG 96912	
<b>ITT VEAM</b>			
CIR	*	VG 95234	
VPT	D	MIL-C-26482	I
VPT-SE	*	MIL-C-26482	I
VPT-SE	*	VG 95328	

\* Consult factory for backshell part numbers.

## Connector Series Alpha-Numeric Index



How  
to Order

The following alpha-numeric list is provided as a convenience in identifying the various connector manufacturers' proprietary connector series designations applicable to the US and international specifications and docu-

ments listed previously. The Glenair Connector Designator is also indicated for each listing.

For complete manufacturer's identity, refer to the preceding listing.

MFG SERIES	CONN. DESIG.	CONNECTOR MANUFACTURER
AE22	H	Aero-Electric Connector
AE46	F	Aero-Electric Connector
AE47	F	Aero-Electric Connector
AE48	F	Aero-Electric Connector
AE49	F	Aero-Electric Connector
AE55	A	Aero-Electric Connector
AE66	E	Aero-Electric Connector
AE77	A	Aero-Electric Connector
AFD	A	Compagnie Deutsch
AFD	A	Deutsch ECD
AFD5	A	Deutsch ECD
A815J	J	Deutsch ECD
B	A	Pyle-National
BG	D	Amphenol
BL	H	G & H Technology
BT	D	Souriau
BTK	D	Deutsch ECD
B815	J	Deutsch ECD
CA3106B	*	Cannon Electric GmbH
CA-E/R	B	ITT Cannon
CA-RX	B	ITT Cannon
CGK	L	ITT Cannon Electric GmbH
CIR	*	ITT VEAM
CNO	H	Labinal/Cinch
CNO930	A	Labinal/Cinch
CT-R	F	Plessey Connectors
CVA	K	ITT Cannon
CV340	A	ITT Cannon
CV345	A	ITT Cannon
CWLD	C	ITT Cannon Electric GmbH
DBA	A	Deutsch ECD
DBAS	A	Compagnie Deutsch
DBAS	A	Cie Deutsch
DBAS	A	Deutsch ECD
DFE	A	Cie Deutsch
DIV4	H	Deutsch ECD
DL6	A	Deutsch ECD
DTS	H	Cie Deutsch
DVG	A	Cie Deutsch
D817	A	Deutsch ECD
FC	*	DCX

MFG SERIES	CONN. DESIG.	CONNECTOR MANUFACTURER
FDBA	A	Compagnie Deutsch
FDBA	A	Deutsch
FF	A	DCX
FH	*	DCX
FHA	K	DCX
G	D	Souriau
GTA	G	Hughes Connecting Devices
JT 3400	A	J-Tech
JT 3450	A	J-Tech
JT VG	*	J-Tech
JT	F	Amphenol
JT-R	F	Amphenol
JVS	H	Souriau
TT	F	ITT Cannon
KFS	G	ITT Cannon
KJ	F	ITT Cannon UK Ltd.
KJ	F	ITT Cannon Electric France
KJ	F	ITT Cannon Electric GmbH
KJ	F	ITT Cannon
KJA	H	ITT Cannon
KJL	F	ITT Cannon Electric France
KJL	F	ITT Cannon
KPSE	S	ITT Cannon UK Ltd.
KPSE	D	ITT Cannon
KPT	*	ITT Cannon Electric GmbH
KPT	D	ITT Cannon
KPTM	*	ITT Cannon Electric GmbH
L	D	Souriau
L-T	D	Souriau
LJT	F	Amphenol
LJT-R	F	Amphenol
LL	J	Deutsch
LPT	D	Deutsch ECD
M-T	D	Souriau
MF	A	ITT Cannon
MF-S	D	Amphenol Products
MK 8	S	AB Electronics
MK 12	S	AB Electronics
MK 18	S	AB Electronics
NC	G	G & H Technology
PL	H	DCX

\* Consult factory for backshell part numbers.



## Connector Series Alpha-Numeric Index

MFG SERIES	CONN. DESIG.	CONNECTOR MANUFACTURER
PT	D	Amphenol
PT	S	ITT Cannon
PT-SE	D	Amphenol
PT-SE	S	ITT Cannon
PTS-DR	A	Amphenol
PV-G	A	ITT Cannon
PV-S	A	ITT Cannon UK Ltd.
PVA	A	ITT Cannon
PVW	A	ITT Cannon UK Ltd.
PVW	A	ITT Cannon Electric GmbH
PVX	A	ITT Cannon UK Ltd.
PVX	A	ITT Cannon Electric GmbH
PV7	A	ITT Cannon
QWLD	C	Amphenol
RDN	G	DCX
RR	A	Hellerman Deutsch
RR50	A	Cie Deutsch
RR70	A	Deutsch Ltd.
SC	B	Amphenol
SCB	*	SICEM
SJT	L	Amphenol
STT	L	ITT Cannon
SLPT	*	Deutsch Ltd.
SM	B	Amphenol
TV	H	Amphenol
TVS	H	Amphenol
TVR	B	Amphenol
T3	H	Pyle-National
VPT	D	ITT VEAM
VPTE-SE	*	ITT VEAM
ZZW	E	Pyle-National
ZZY	E	Pyle-National
10-214	B	Amphenol
10-475	F	Amphenol
10-72	B	Amphenol
22	W	Glenair
80	M	Glenair
90	G	Glenair
118	A	Amphenol Limited
118	A	Amphenol
118	A	Amphenol-Tuchel
162GB	S	Amphenol Limited
162GB	*	Amphenol-Tuchel
246	*	Amphenol
251	*	Cannon Electric France
348	J	Amphenol Limited

MFG SERIES	CONN. DESIG.	CONNECTOR MANUFACTURER
348	J	Amphenol
348	J	Amphenol-Tuchel
381	A	Deutsch ECD
418-1	F	Amphenol Limited
418-1	F	Amphenol
418-2	F	Amphenol Limited
418-2	F	Amphenol
450	D	Deutsch ECD
460	D	Deutsch ECD
48	E	Amphenol
48	E	TRW Cylindrical Connectors
518	A	Amphenol
602GB	A	Amphenol Limited
602GB	A	Amphenol-Tuchel
62GB	S	Amphenol Limited
62GB	*	Amphenol-Tuchel
650	J	Schaltbau
652	A	Amphenol Limited
652	A	Amphenol-Tuchel
674	*	Schaltbau
675	*	Schaltbau
679	J	Schaltbau
69	B	Amphenol
71	B	Amphenol
80	M	Glenair
837	A	Deutsch ECD
85	D	Souriau
851	S	Souriau
851-50	*	Souriau
8525	A	Souriau
8526	A	Souriau
857	A	Souriau
8D	H	Souriau
8LT	F	Souriau
8ST	L	Souriau
8T	F	Souriau
9-815	J	Cie Deutsch
9-815	J	Compagnie Deutsch
91-483	A	Amphenol
951-50	A	Cie Deutsch
951-50	A	Compagnie Deutsch
97	B	Amphenol
991	A	Cie Deutsch
999.1	F	Cie Deutsch

\* Consult factory for backshell part numbers.

# Recommended Torque Values



How  
to Order

## INSTALLATION TORQUE VALUES FOR CIRCULAR ELECTRICAL CONNECTOR ACCESSORIES

Shell Sizes	Column 1 Light and Medium Duty AS50151 (AS31001 Series) MIL-DTL-26482 Series I MIL-DTL-26500, MIL-DTL-27599 MIL-DTL-38999 Series I and II MIL-C-81511 Series I, II, III and IV AS81703 Series I	Column 2 Heavy Duty AS50151 (AS34001 Series) MIL-DTL-22992, MIL-DTL-28840 MIL-DTL-26482 Series II MIL-DTL-38999 Series III and IV MIL-DTL-83723 Series I, II and III, AS81703 Series III	Column 3 Composite Material Coupling Threads (See Notes 1 and 2)
	In-Lbs, Min/Max	In-Lbs, Min/Max	In-Lbs, Min/Max
8, 9, A	30/40	51/61	20/25
3, 10, 10SL, 11, B	30/40	71/81	20/30
7, 12, 12S, 13, C	35/45	103/113	25/35
14, 14S, 15, D	35/45	111/121	25/35
16, 16S, 17, E	35/45	111/121	30/40
18, 19, 27, F	35/45	111/121	30/40
20, 21, 37, G	75/85	131/141	35/45
22, 23, H	75/85	131/141	35/45
24, 25, 61, J	75/85	131/141	35/45
28, 29	115/125	143/153	115/125
32, 33	115/125	143/153	115/125
36	115/125	142/153	112/125
40	155/165	159/169	N/A
44	155/165	159/169	N/A
48	155/165	159/169	N/A

### RECOMMENDED JAM NUT TORQUE VALUES

Series II		Series I, III, IV	
Shell Size	In-Lbs Min/Max	Shell Size	In-Lbs Min/Max
8	46/50	9	30/36
10	55/60	11	40/46
12	70/75	13	55/60
14	80/85	15	70/75
16	90/95	17	80/85
18	100/110	19	90/95
20	110/120	21	100/110
22	120/130	23	110/120
24	140/150	25	120/130

### TORQUE VALUES FOR CABLE CLAMP SCREWS <sup>5, 6</sup>

Screw Size	In-Lbs Min/Max
2-56	1.5/2.5
4-40	3.5/4.5
6-32	5.0/7.0
8-32	7.0/9.0
10-32	9.0/11.0
.250-20	11.0/13.0

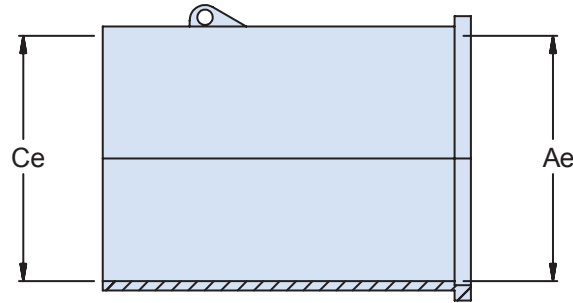
### CABLE CLAMP TORQUE VALUES

Clamp Size	With Grommet <sup>4</sup>	Without Grommet
	In-Lbs Min/Max	In-Lbs Min/Max
3	8/12	30/40
4	10/15	30/40
6	10/15	35/55
8	12/20	35/55
10	12/20	35/55
12	15/30	40/60
16	20/40	40/60
20	20/40	40/60
24	25/45	80/100
28	30/50	80/100
32	30/50	80/100
40	40/60	80/100

- 1) Use Glenair 600-091/157 and 600-007 torque tools when tightening hexagonal composite accessory couplings.
- 2) Metal and composite torque values per SAE AIR 6151. All values provided in Inch-Pounds.
- 3) For additional guidance or values/conditions not listed, refer to SAE AIR6151.
- 4) Values are based on lubricated grommets and clamp threads.
- 5) For stainless-steel or plated steel screws into aluminum or stainless-steel.
- 6) Not applicable for light-duty saddles unless bottomed on clamp nut.

EMI/RFI shielding terminated with conical metal ferrule(s) should employ a minimum recommended torque of 35 in-lb.

## As Supplied



## After Unrestricted Recovery

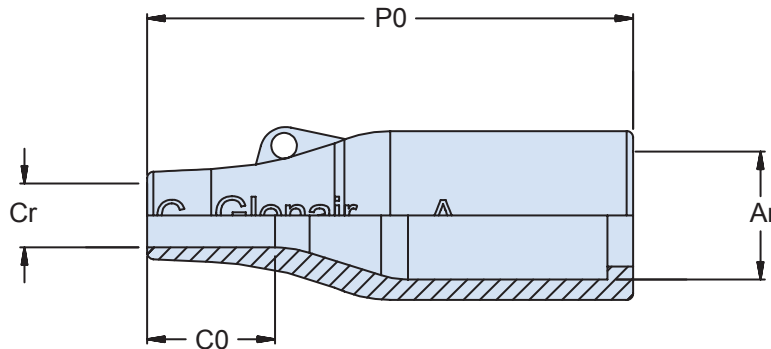


TABLE OF DIMENSIONS

Boot Size	Ae Min	Ar Max	Ce Min	Cr Max	C0 ±20%	P0 ±10%	Glenair Boot Supplied (Ref.)
03	.95 (24.1)	.41 (10.4)	.95 (24.0)	.20 (5.0)	.39 (10.0)	1.50 (38.0)	770-001S103
04	1.18 (30.0)	.55 (14.0)	1.18 (30.0)	.24 (6.0)	.63 (16.0)	2.17 (55.0)	770-001S104
05	1.26 (32.0)	.71 (18.0)	1.26 (32.0)	.28 (7.0)	.75 (19.0)	2.64 (67.0)	770-001S105
06	1.42 (36.1)	.87 (22.0)	1.42 (36.0)	.33 (8.5)	.79 (20.0)	3.15 (80.0)	770-001S106
07	1.69 (42.9)	1.10 (28.0)	1.69 (43.0)	.39 (10.0)	1.14 (29.0)	3.90 (99.0)	770-001S107
08	2.36 (59.9)	1.38 (35.0)	2.36 (60.0)	.59 (15.0)	1.58 (40.0)	5.12 (130.0)	770-001S108
09	2.60 (66.0)	1.75 (44.5)	2.60 (66.0)	.66 (16.8)	2.30 (58.0)	6.69 (170.0)	770-001S109

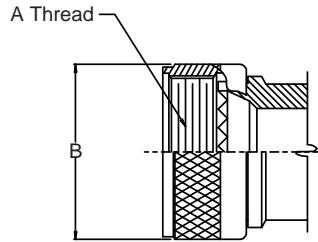
1. Material: Oil resistant, flame retardant elastomer—Glenair GTS 4025
2. Metric dimensions (mm) are indicated in parentheses.



# Modification Code -445 ("NESTOR") Positive-Lock, Non-Detent Coupling Reference Information



How  
to Order



## Part Number Development Example:

320 A S 105 NF 16 05 - 445  
 Product Series ————  
 Mod Code ————  
 Self-Nesting

Modification Code -445 changes coupling profile for a slight increase in length (see Table I).

CONNECTOR DESIGNATOR											A THREAD REF	B DIA MAX
A	C	D	E	F	G	H	J	K	L	S		
		08	08	08 (9)				08	08	08		7/16-28 UNEF .688 (17.5)
						09 (A)						M2 X 1 - 6H .722 (18.3)
08							08 (A)	10				1/2-20 UNF .750 (19.1)
								11	10	10		1/2-28 UNEF .750 (19.1)
03		10	10	10 (11)								9/16-24 UNEF .813 (20.7)
						11 (B)						M1.5 X 1 - 6H .841 (21.4)
10								12, 13				5/8-24 UNEF .875 (22.2)
								10 (B)				5/8-28 UN .875 (22.2)
		12		12 (13)						12	12	11/16-24 UNEF .938 (23.8)
						13 (C)						M1.8 X 1 - 6H .959 (24.4)
12 (7)	12		12			11 (A)		14, 15				3/4-20 UNEF 1.000 (25.4)
		14	14	14 (15)					14	14		13/16-20 UNEF 1.063 (27.0)
14 (12)	14					15 (D)						M2 X 1 - 6H 1.116 (28.3)
						13 (B)		16, 17				7/8-20 UNEF 1.125 (28.6)
								14 (D)				7/8-28 UN 1.125 (28.6)
		16	16	16 (17)					16	16		15/16-20 UNEF 1.188 (30.2)
16 (19)	16					17 (E)						M2.5 X 1 - 6H 1.234 (31.4)
						15 (C)		18				1-20 UNEF 1.250 (31.8)
								16 (E)				1-28 UN 1.250 (31.8)
18 (27)		18	18	18 (19)					18	18		1 1/16-18 UNEF 1.313 (33.3)
	18					19 (F)						M2.8 X 1 - 6H 1.352 (34.4)
						17 (D)		20				1 1/8-18 UNEF 1.375 (34.9)
								18 (F)				1 1/8-28 UN 1.375 (34.9)
20 (37)		20	20	20 (21)					20	20		1 3/16-18 UNEF 1.438 (36.5)
						21 (G)						M3 X 1 - 6H 1.470 (37.4)
	20					19 (E)						1 1/4-18 UNEF 1.500 (38.1)
								22				1 1/4-28 UN 1.500 (38.1)
22		22	22	22 (23)					22	22		1 5/16-18 UNEF 1.563 (39.7)
						23 (H)						M4 X 1 - 6H 1.589 (40.4)
	22											1 3/8-18 UNEF 1.625 (41.3)
								24				1 3/8-28 UN 1.625 (41.3)
24		24	24	24 (25)	23 (F)					24	24	1 7/16-18 UNEF 1.688 (42.9)
						25 (J)						M7 X 1 - 6H 1.707 (43.3)
28												1 3/4-18 UNS 2.000 (50.8)

### NOTES:

1. Metric dimensions (mm) are indicated in parentheses.
2. Modification Code to add Self-Nesting Feature *only* as an option on Standard Profile Metal Free-Spinning Rotatable Coupling Backshells.
3. Consult Factory for Environmental Styles.
4. **Not for use on MIL-DTL-38999 Series II.**
5. Look for the -445 icon throughout this catalog. It indicates the "NESTOR" is available by adding -445 to the end of the backshell part number

-445

Now Available  
with the "NESTOR"

**Glenair's Non-Detent,  
Spring-Loaded, Self-  
Locking Coupling.**

**Add "-445" to Specify  
This AS85049 Style "N"  
Coupling Interface.**



## Backshell to Connector Assembly Tools

### Glenair Assembly Tools and Tool Kits for Reliable Installation

#### *Glenair Tools Help Prevent False Tightening and Distortion*

Backshell tightening tools are designed by Glenair to provide a full 360° gripping surface on backshell coupling nuts. These innovative tools minimize the possibility of coupling nut distortion and false tightening problems when mating backshells to circular connectors.

#### *Reliable Installation of Glenair Backshells on Circular Connectors*

When used with the appropriate connector holders and torque wrenches, Glenair Backshell Assembly Tools provide the user with consistent, repeatable backshell installations. Designed primarily for production assembly use, the tools can also be used equally well for successful field maintenance operations.

Glenair Backshell Assembly Tools may also be utilized effectively with backshell rotatable couplers produced by other manufacturers. Consult the Glenair *Backshell Assembly Tools, Banding Tools and Accessories* catalog for details.

#### *Wide Variety of Glenair Tools for Proper Backshell Installation*

Glenair offers a variety of tools to accomplish proper tightening. Our 600 Series pliers with replaceable pads are configured to make maximum circumferential support to each specific size backshell to be tightened, and our TG70 strap wrench is intended for general use on any diameter between .50 to 3.00 inches. Hand-held and bench-mount torque wrenches accommodate our 600-005 plug or receptacle connector holders.

When tightening a backshell onto a connector, it is important to follow Glenair's recommended procedures for each tool being used. Our *Backshell Assembly Tools, Banding Tools and Accessories* catalog shows torque values for each specific connector series the backshell is being fastened onto. The recommended values are based on several factors, primarily the connector and backshell thread



*Glenair offers torque wrenches in two configurations. The hand-held torque wrench pictured above (top left), and the bench-mounted version (top center). Both are adjustable to a desired torque level of 20 to 360 inch pounds, and feature a 3/8" drive. A full range of receptacle and plug holders for Mil-Spec connectors and backshells is also offered.*

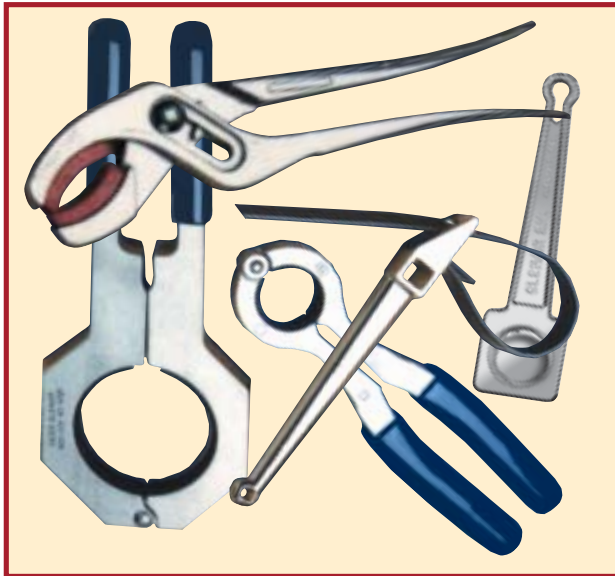
strengths. Torque values consider additional factors such as plug-to-receptacle alignment key strength, barrel hoop strength and material strength.

When assembling connectors to backshells with rotatable coupling nuts, Glenair recommends the backshell be hand tightened to engage the connector's interlocking teeth or spline features, making sure the teeth are fully engaged before fully torquing with our tools. We also suggest retorquing by removing the tool and reinstalling the tool approximately 90° away from the initial position and tightening to the recommended value. When applying torque with our TG70 strap wrench, it is necessary to allow for a slight torque variance between the Glenair torque wrench and the offset socket drive on the strap wrench. A variance chart is provided in the *Backshell Assembly Tools, Banding Tools and Accessories* catalog.

## Backshell to Connector Assembly Tools



How  
to Order



Glenair's selection of circular backshell assembly wrenches includes round wrenches in all standard sizes that are designed for use with Glenair's hand-held or bench-mounted torque wrenches. The round design assures even distribution of pressure around the backshell, thereby preventing false tightening and distortion problems. A hex design for Glenair composite coupling applications is offered. Strap wrenches, soft-jaw pliers and connector wrenches for a full range of Mil-Spec applications are also available.



Glenair offers a full range of connector backshell assembly tools to serve virtually all Mil-Spec connectors and backshell accessories. The specially-designed round wrenches prevent false tightening and distortion problems by assuring even distribution of forces throughout the circumference of the backshell and connector.



Glenair's TG80 Tool Kit is designed for field use with circular electrical connectors. The products included with this kit fit most connectors covered by Military Specifications, and are used for holding during assembly and disassembly of rear clamp and adapter hardware, and to facilitate connector field repairs and servicing.

Contained in a rugged, compact foam-padded metal case, the kit includes two TG70 Strap Wrenches, a pair of TG69 Soft Jaw Pliers, a set of parallel jaw pliers and instructions.

Glenair also offers a selection of tool kits per MIL-T-83507. Details are available by contacting the factory, your local Glenair representative, or your local Glenair sales and engineering office.



Band-It® Pneumatic Banding Tools are offered in two designs, each of which can be enhanced by Band-It's optional foot pedal kit to free both of the operator's hands to help assure more accurate, reliable and faster shield terminations. The Standard Tie-Dex II® Pneumatic Banding Tool accommodates standard clamping bands in a tension range from 100-180 lbs. The Tie-Dex I® Pneumatic Banding Tool accommodates micro banding clamps in a tension range of 50 to 80 lbs. Each lightweight tool weighs only 2.52 lbs. (1.14 Kg); the control boxes weigh only 2.74 lbs. (1.24 Kg) each.





## Banding System Shield Termination Tools

### BAND-IT® Tools and Tool Kits for Reliable Shield Termination

#### Fast, Cost-Effective Field and Factory Terminations

The BAND-IT® clamping system provides quick and highly reliable termination of braided metallic shielding or fabric braid. Banding technology was first introduced in our industry in 1985 as a solution to the field repair of magnaformed shield terminations on installed cable assemblies for the B-1 bomber. Banding has been a staple of the industry ever since.



Reliable termination is quickly and easily accomplished in the field with Band-It® precalibrated pocket-sized hand tools. High-speed, mass termination production is afforded by the pneumatic clamping tool.

#### Reliable RFI/EMI/EMP Terminations

The unique low profile and smooth inside diameter of the one-piece type 304 austenitic stainless steel clamping band virtually eliminates RFI/EMI/EMP leakage paths. The lock maintains constant tension under extreme environmental conditions. BAND-IT® has passed severe shock, vibration and thermal cycle testing with negligible deterioration of shell conductivity.

#### Single Piece Band Construction

No welding, soldering, magna forming, and no crimping! The clamping bands provide quick, easy and cost-effective shielding terminations. (Note: Bands must be double coiled.)

#### Clamp Small Diameters Easily, Reliably

Double-wrapped, the clamping band is designed to clamp small diameters as easily, quickly and reliably as large diameters.



Band-It® clamping bands are precision constructed of 300 Series SST/Passivate, and designed for use with Band-It® Hand Banding Tool or the Pneumatic Banding Tool.

The bands are offered in the following four configurations to suit a wide range of requirements: Double-wrapped, the Standard Band will accommodate diameters up to approximately 1.8 inches. The Extended Length Standard Band when double-wrapped will accommodate diameters up to approximately 2.5 inches (63.5mm). The Micro Band will accommodate diameters up to approximately .88 inches (22.5mm) when double-wrapped. The Extended Length Micro Band will accommodate diameters to approximately 1.88 inches (47.8mm) when double-wrapped. All Band-It® clamping bands may be ordered flat or precoiled in bagged and tagged quantities from 1 to 100.

#### Quick, Easy Field Terminations with the Precalibrated Hand Tool

The precalibrated hand tool is lightweight and pocket-sized, affording fast braided RFI/EMI/EMP shield termination in the field.

#### Pneumatic Banding Tool for High-Speed Mass Production

The pneumatic clamping tool offers the capability to tackle high volume braided shielding terminations quickly and easily.

#### Glenair Assembly Tools Help Prevent Distortion and False Tightening Problems

Backshell tightening tools are available which provide virtually a full 360° gripping surface on backshell coupling nuts. These innovative tools minimize the possibility of coupling nut distortion and false tightening problems which can be caused by soft-jaw pliers or strap wrenches.

#### Reliable Installation of Glenair Backshells on Circular Connectors

When used with the appropriate connector holders and torque wrenches, Glenair Backshell Assembly

Tools provide the user with consistent, repeatable backshell installations. Designed primarily for production assembly use, the tools can also be used equally well for successful field maintenance operations.

Glenair Backshell Assembly Tools may also be utilized effectively with backshell rotatable couplers produced by other manufacturers, providing the "B" reference diameters are consistent with Glenair values.

### Recommended Tightening Procedures

Recommended tightening procedures, tools and torque values offered by Glenair are intended as an aid to properly fasten the backshell to the connector interface threads. Glenair offers a variety of tools to accomplish proper tightening; our 600 Series pliers with replaceable pads are configured to make maximum circumferential support to each specific size backshell to be tightened, our TG70 strap wrench (page 6) is intended for general use on any diameter between .50 to 3.00 inches. Hand-held and bench-mount torque wrenches accommodate our 600-005 plug or receptacle connector holders (see *Backshell Assembly Tool* catalog).

When tightening backshell onto connectors, it is important to follow Glenair's recommended procedures for each tool being used.

When tightening backshells with rotatable coupling nuts, Glenair recommends the backshell to be hand tightened to engage the connectors interlocking teeth or spline features, making sure the teeth are fully engaged before fully torquing with our tools. We also suggest retorquing by removing the tool and reinstalling the tool approximately 90° away from the initial position and tightening to the connector manufacturer's recommended value.

Composite backshells should be tightened to the values shown for MIL-C-85049 light and medium duty torque. Secondary components such as: Glenair's cable clamps, gland sealing nuts, sleeves or adapters, not directly fastened to the connector should be tightened 40 to 60 inch pounds to insure proper performance.

### Four Easy Steps for Proper Backshell Assembly

1. Select plug or receptacle holder (most holder series provide "universal polarization", but a few connector series require specific polarization for each alternate keying arrangement).
2. Set desired torque on torque wrench.

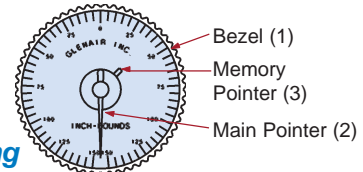
3. Mount holder on square drive of torque wrench. Carefully mate with connector, and hand-tighten Glenair backshell coupling. To assure proper mating, anti-rotation teeth must be fully engaged.
4. Tighten rotatable coupler with assembly tool. Do not use excessive grip on handles. When coupler begins to tighten, relax grip and rotate assembly tool back 90°, then resume grip and continue to tighten; repeating this sequence until desired torque level is reached.

**CAUTION: Do not apply torque in excess of signal setting. Excess torque will cause signal pointer to reset and give erroneous readings.**

### Setting Torque Levels

To verify proper backshell installation values, electrical signals are built into bench-mounted (audio) and hand-held (light) torque wrenches. The procedure for setting torque levels is the same for both units.

### Setting Desired Torque for Right-Hand Thread Tightening



To set torque, turn Bezel (1) clockwise until signal is on. Continue to turn Bezel until Main Pointer (2) is at desired torque level on scale. You may cover the audio signal during this procedure to minimize noise level when setting the bench-mounted unit.

The Memory Pointer (3) is set by the above procedure. With this accomplished, turn Bezel counter-clockwise until the Main Pointer is aligned with zero on the scale. Your torque wrench is now ready for operation.

### Setting Desired Torque for Left-Handed Thread Tightening

Simply reverse the above procedure for setting the desired torque for left-hand thread tightening.

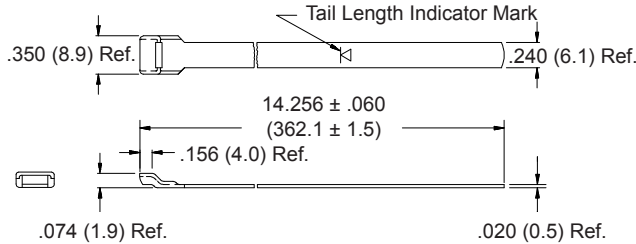
### Resetting the Memory Pointer

When you wish to change torque levels, rotate the Bezel counter-clockwise until the signal is on. Continue to rotate Bezel until Memory Pointer is aligned with zero on the scale. Now repeat the above procedure for setting torque.





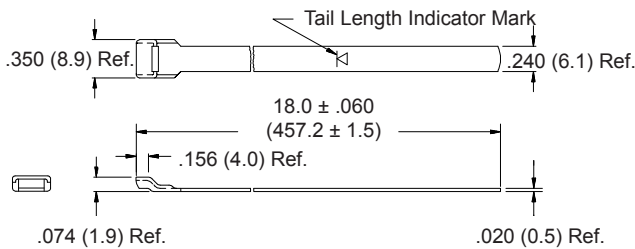
**Standard Band 600-052**  
**Precoiled Standard Band 600-052-1**



*The 600-052 Standard Band* is precision constructed of 300 Series SST/Passivate I.A.W AMS 2700 and designed for use with the 600-058 Hand Banding Tool or the 600-067 Pneumatic Banding Tool. Double-wrapped bands will accommodate diameters up to approximately 1.8 inches (45.7). Bands may be ordered flat (600-052) or precoiled (600-052-1). Bands come bagged and tagged in quantities from 1 to 100.

Reference: **BAND-IT®** part number **A10086**

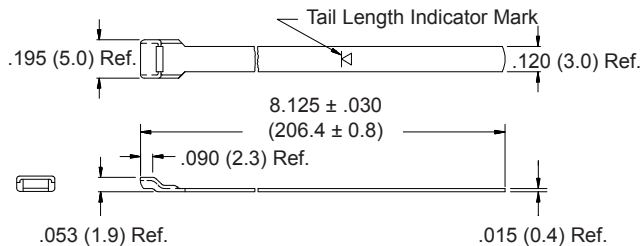
**Extended-Length Standard Band 600-090**  
**Precoiled Extended-Length Standard Band 600-090-1**



*The 600-090 Extended Length Standard Band* is precision constructed of 300 Series SST/Passivate I.A.W AMS 2700, and designed for use with the 600-058 Hand Banding Tool or the 600-067 Pneumatic Banding Tool. Double-wrapped bands will accommodate diameters up to approximately 2.5 inches (63.5). Bands may be ordered flat (600-090), or precoiled (600-090-1). Bands come bagged and tagged in quantities from 1 to 100.

Reference: **BAND-IT®** part number **A11086**

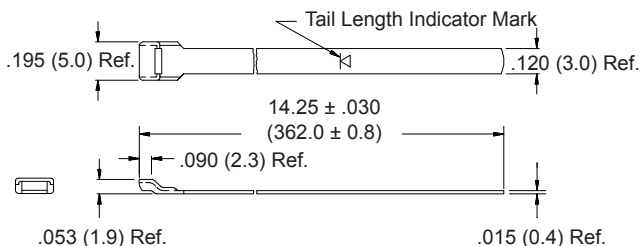
**Micro-Band 600-057**  
**Precoiled Micro-Band 600-057-1**



*The 600-057 Micro Band* is precision constructed of 300 Series SST/Passivate I.A.W AMS 2700, and designed for use with the 600-061 Hand Banding Tool or the 600-068 Pneumatic Banding Tool. Double-wrapped bands will accommodate diameters up to approximately .88 inches (22.4). Bands may be ordered flat (600-057), or precoiled (600-057-1). Bands come bagged and tagged in quantities from 1 to 100.

Reference: **BAND-IT®** part number **A31186**

**Extended Length Micro-Band 600-083**  
**Precoiled Micro-Band 600-083-1**



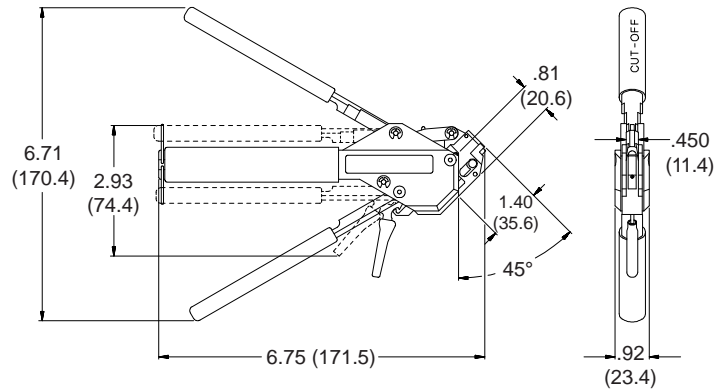
*The 600-083 Extended Length Micro-Band* is precision constructed of 300 Series SST/Passivate I.A.W AMS 2700, and designed for use with the 600-061 Hand Banding Tool or the 600-068 Pneumatic Banding Tool. Double-wrapped bands will accommodate diameters up to approximately 1.88 inches (47.8). Bands may be ordered flat (600-083), or precoiled (600-083-1). Bands come bagged and tagged in quantities from 1 to 100.

Reference: **BAND-IT®** part number **A31086**.

## Hand Banding Tool 600-058

The **600-058 Hand Banding Tool** weighs 1.18 lbs., and is designed for standard clamping bands 600-052 and 600-090 in a tension range from 100 to 180 lbs. Calibrate at 150 lbs.  $\pm$  5 lbs. for most shield terminations. Tool and band should never be lubricated.

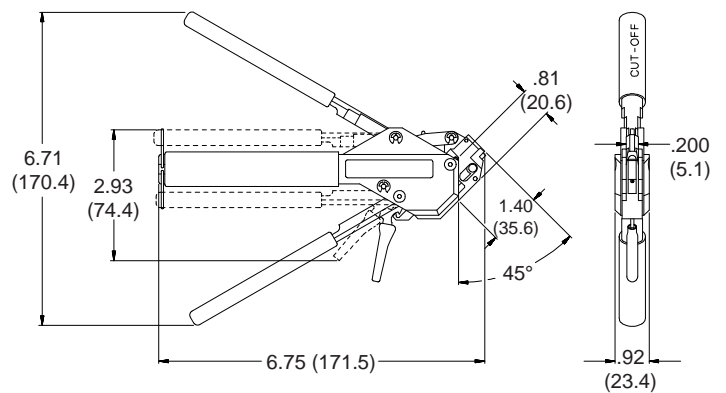
Reference: **BAND-IT<sup>®</sup>** part number A40199.



## Hand Micro Banding Tool 600-061

The **600-061 Hand Micro Banding Tool** weighs 1.18 lbs., and is designed for micro clamping bands 600-057 and 600-083 in a tension range from 50 to 85 lbs. Calibrate at 75lbs +2 lbs. -7 lbs. for most shield terminations. Tool and band should never be lubricated.

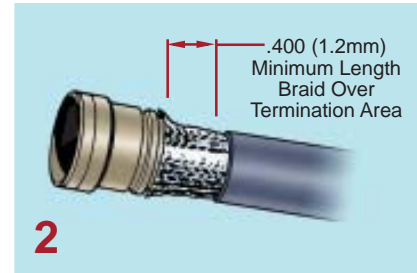
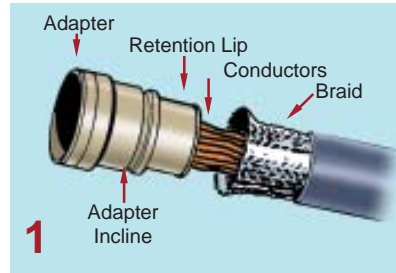
Reference: **BAND-IT<sup>®</sup>** part number A30199.



Metric Dimensions (mm) are indicated in parentheses.

## Banding System Shield Termination Tools User Instructions

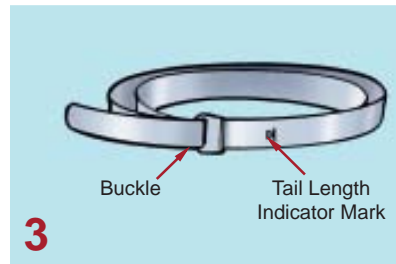
1. Prepare Cable Braid for termination process (Figure 1).
2. Push Braid forward over Adapter Retention Lip to the Adapter Incline Point (or .4" [10.2mm] minimum braid length). Milk Braid as required to remove slack and insure a snug fit around the shield termination area (Figure 2).



3. Prepare the Band in the following manner:  
**IMPORTANT:** Due to Connector/Adapter circumference, it may be necessary to prepare the Band around the Cable or Retention Area.

- A. Roll Band through the Buckle Slot twice. (Bands must be double-coiled.)
- B. Pull on Band until Mark (X) is within approximately .250 inch (6.4mm) of Buckle Slot (Figure 3). The Band may be tightened further if desired.

**NOTE:** Prepared Band should have (X) Mark visible approximately where shown in Figure 3.



### SHIELD TERMINATION CLAMPING

**PROCESS:** (Figures 4 thru 8):

**NOTE:** To free Tool Handles, move Holding Clips to center of Tool.

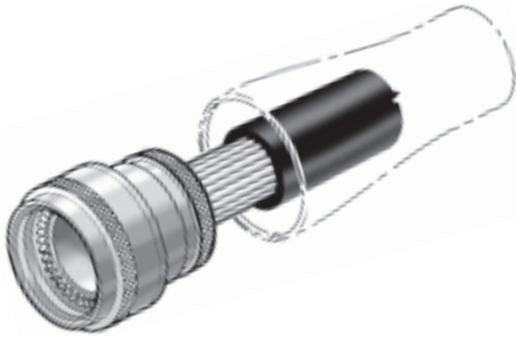
4. Squeeze Gripper Release Lever and insert Band into the front end opening of the Tool. (NOTE: Circular portion of looped band must always face downward.)
5. Aligning the Band and Tool with the Shield Termination Area, squeeze Black Pull-Up Handle repeatedly using short strokes until it locks against Tool Body. (This indicates the Band is compressed to the Tool Precalibrated Tension.)

**NOTE:** If alignment of band and shield is unsatisfactory, tension on band can be relaxed by pushing on slotted release lever on top of tool. Make adjustments as necessary and again squeeze black pull-up handle..



6. Complete the Clamping Process by squeezing the Gray Cut-Off Handle.
7. Remove excess Band from Tool.
8. Inspect Shield Termination.

**IMPORTANT:** Always roll band through the buckle slot twice (see Step 3). Bands must be double-coiled to function correctly. The failure to roll the band through the buckle slot twice is the most common user error in band style terminations.



## PRODUCT FEATURES

- Designed to Accommodate Lipped-Type Shrink Boots Such as MS3109 and MS3117 Designs
- Rotatable and Direct Coupling Styles
- Standard and Low Profile Designs
- Straight, 45° and 90° Configurations
- Optional Shrink Boots Available

Economical environmental sealing and mechanical strain-relief for harsh application environments

***The perfect solution for high volume applications which require both environmental protection and cable strain-relief***

The shrink boot adapters included in this section all are designed to accommodate lipped-type shrink boots such as those defined on MS3109 and MS3117. Shrink boots are used both for mechanical strain relief and a degree of environmental protection. Standard shrink boot adapters, with either rotatable coupling nuts or direct coupled designs are available for most circular connectors. As an added option, the 310 Series adapters can be ordered with a straight shrink boot.

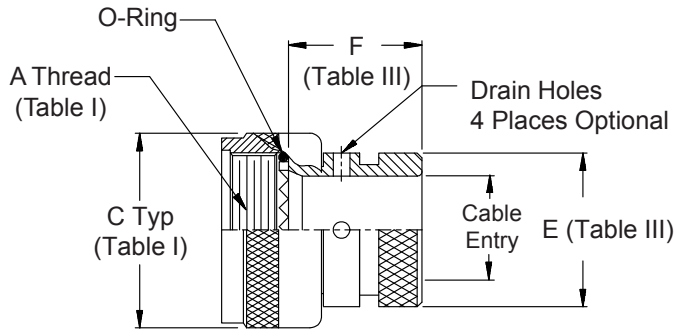
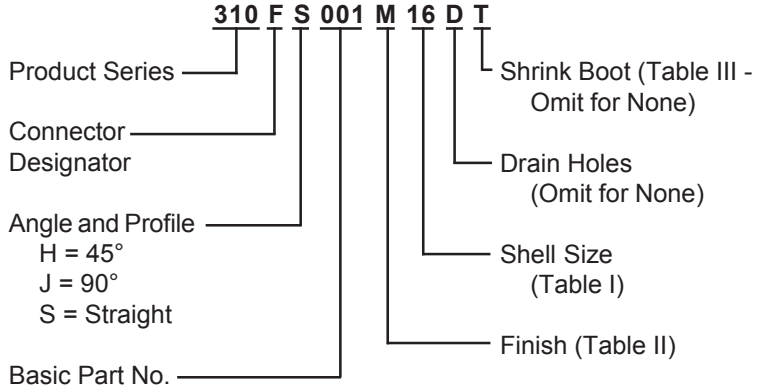
**CONNECTOR  
DESIGNATORS**

**A-F-D-G\***

**H-J\*-L-S**

\* Conn. Desig. G & J -  
Consult Factory For  
45° and 90°

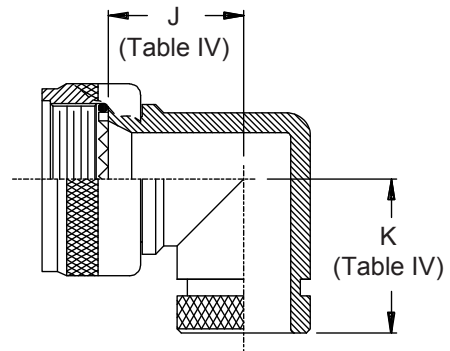
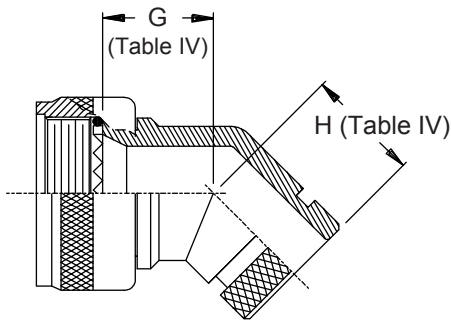
**ROTATABLE  
COUPLING**



**TABLE II - STANDARD FINISHES**

GLENAIR SYMBOL	FINISH
B	Cadmium Plate, Olive Drab
C	Anodize, Black
G	Hard Coat, Anodic
M	Electroless Nickel
NF	Cadmium Plate, Olive Drab Over Electroless Nickel

See Back Cover for Complete Finish Information and Additional Finish Options





**310-001**  
**O-Ring Sealed Shrink Boot Adapter**  
**Rotatable Coupling - Standard Profile**



See inside back cover fold-out or pages 13 and 14 for unabridged Tables I and II.

**TABLE III: CABLE ENTRY AND SHRINK BOOT**

Shell Size - Conn. Desig.		Cable Entry				
A-F-J-L-S	G-H	E Max	F Max	Min.	Shrink Boot *	
08	09	.533 (13.5)	.940 (23.9)	.250 (6.4)	770-003S102	
10	11	.605 (15.4)	.940 (23.9)	.355 (9.0)	770-001S103	
12	13	.774 (19.7)	.940 (23.9)	.491 (12.5)	770-001S103	
14	15	.838 (21.3)	.940 (23.9)	.565 (14.4)	770-001S103	
16	17	.963 (24.5)	.940 (23.9)	.690 (17.5)	770-001S104	
18	19	1.042 (26.5)	.940 (23.9)	.769 (19.5)	770-001S104	
20	21	1.217 (30.9)	.940 (23.9)	.894 (22.7)	770-001S106	
22	23	1.355 (34.4)	.940 (23.9)	1.019 (25.9)	770-001S107	
24	25	1.443 (36.7)	.940 (23.9)	1.134 (28.8)	770-001S107	
28	29	1.709 (43.4)	.940 (23.9)	1.369 (34.8)	770-001S108	
32	33	1.919 (48.7)	1.005 (25.5)	1.615 (41.0)	770-001S108	

\* Shrink Boot Supplied with "T" Option  
 (see Part Number Development)

**TABLE IV: DIMENSIONS**

Shell Size - Conn. Desig.		G	H	J	K
A-F-L-S	H	Max	Max	Max	Max
08	09	.639 (16.2)	.810 (20.6)	.750 (19.1)	.920 (23.4)
10	11	.664 (16.9)	.840 (21.3)	.810 (20.6)	.980 (24.9)
12	13	.688 (17.5)	.860 (21.8)	.870 (22.1)	1.040 (26.4)
14	15	.705 (17.9)	.890 (22.6)	.920 (23.4)	1.110 (28.2)
16	17	.732 (18.6)	.910 (23.1)	.980 (24.9)	1.170 (29.7)
18	19	.748 (19.0)	.920 (23.4)	1.020 (25.9)	1.190 (30.2)
20	21	.773 (19.6)	.940 (23.9)	1.080 (27.4)	1.250 (31.8)
22	23	.800 (20.3)	.980 (24.9)	1.140 (29.0)	1.330 (33.8)
24	25	.823 (20.9)	1.010 (25.7)	1.200 (30.5)	1.400 (35.6)
28	29	1.041 (26.4)	1.180 (30.0)	1.480 (37.6)	1.640 (41.7)
32	33	1.092 (27.7)	1.370 (34.8)	1.610 (40.9)	1.880 (47.8)

**-445**

Now Available  
with the "NESTOR"

**Glenair's Non-Detent,  
Spring-Loaded, Self-  
Locking Coupling.**

**Add "-445" to Specify  
This AS85049 Style "N"  
Coupling Interface.**

1. See Shrink Boot Reference Information (page 40).
2. Metric dimensions (mm) are indicated in parentheses.
3. O-Rings not supplied with drain hole option.
4. O-Rings not supplied with Connector Designators A and G.

**CONNECTOR  
 DESIGNATORS**  
**A-B\*-C-D-E-F**  
**G-H-J-K-L-S**

\* Conn. Design. B See Note 4  
**DIRECT  
 COUPLING**

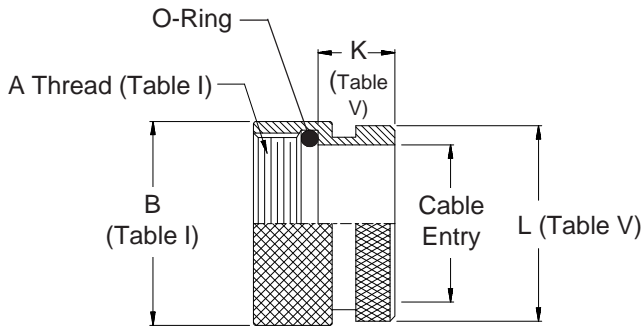
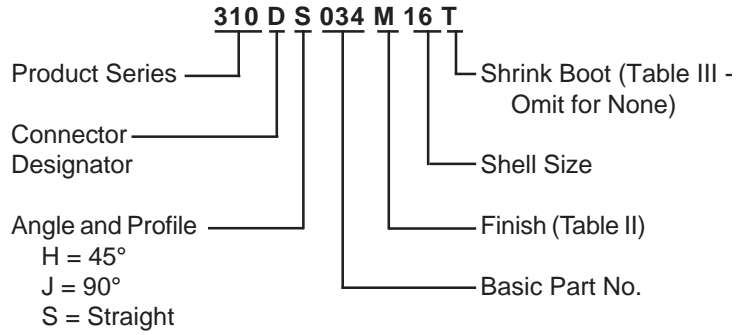
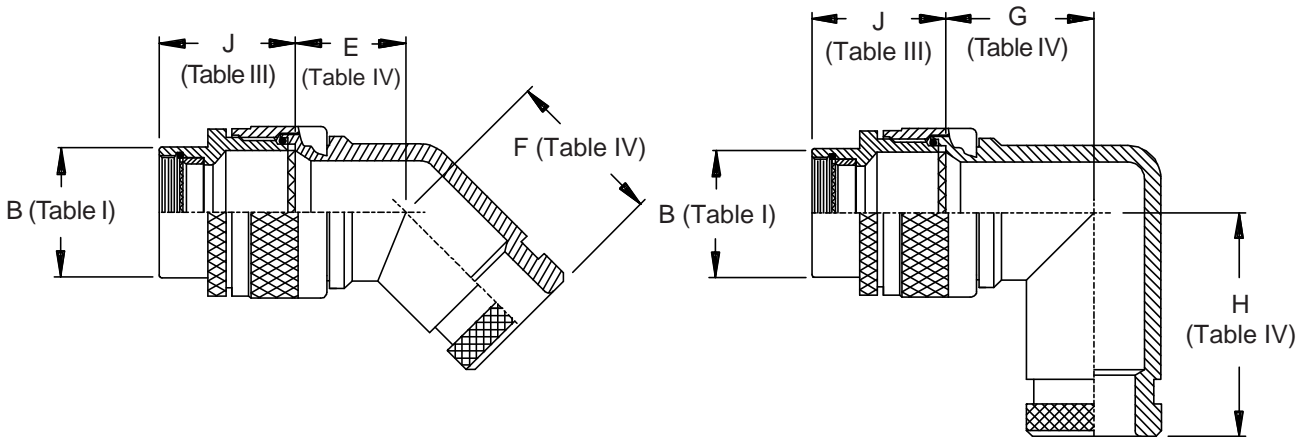


TABLE II - STANDARD FINISHES	
GLENAIR SYMBOL	FINISH
B	Cadmium Plate, Olive Drab
C	Anodize, Black
G	Hard Coat, Anodic
M	Electroless Nickel
NF	Cadmium Plate, Olive Drab Over Electroless Nickel

See Back Cover for Complete Finish Information and Additional Finish Options



**310-034**  
**O-Ring Sealed Shrink Boot Adapter**  
 Direct Coupling - Standard Profile



**310**

See inside back cover fold-out or pages 13 and 14 for unabridged Tables I and II.

Shell Size	J Max - Conn. Designator		
	A-E-F		
	J-H-L-S	D-B-G-K	C
08/09	1.180 (30.0)	1.250 (31.8)	
10/11	1.180 (30.0)	1.250 (31.8)	
12/13	1.180 (30.0)	1.250 (31.8)	1.735 (44.1)
14/15	1.180 (30.0)	1.250 (31.8)	1.915 (48.6)
16/17	1.380 (35.0)	1.560 (39.6)	1.915 (48.6)
18/19	1.380 (35.0)	1.560 (39.6)	1.915 (48.6)
20/21	1.380 (35.0)	1.560 (39.6)	1.915 (48.6)
22/23	1.380 (35.0)	1.560 (39.6)	1.915 (48.6)
24/25	1.380 (35.0)	1.560 (39.6)	1.915 (48.6)
28/29	1.610 (40.9)	1.560 (39.6)	1.915 (48.6)
32/33	1.610 (40.9)	1.750 (44.5)	1.915 (48.6)
36	1.610 (40.9)	1.750 (44.5)	1.915 (48.6)
40	1.610 (40.9)	2.190 (55.6)	1.915 (48.6)

Shell Size	E Max	F Max	G Max	H Max
08/09	.639 (16.2)	.810 (20.6)	.750 (19.1)	.920 (23.4)
10/11	.664 (16.9)	.840 (21.3)	.810 (20.6)	.980 (24.9)
12/13	.688 (17.5)	.860 (21.8)	.870 (22.1)	1.040 (26.4)
14/15	.705 (17.9)	.890 (22.6)	.920 (23.4)	1.110 (28.2)
16/17	.732 (18.6)	.910 (23.1)	.980 (24.9)	1.170 (29.7)
18/19	.748 (19.0)	.920 (23.4)	1.020 (25.9)	1.190 (30.2)
20/21	.773 (19.6)	.940 (23.9)	1.080 (27.4)	1.250 (31.8)
22/23	.800 (20.3)	.980 (24.9)	1.140 (29.0)	1.330 (33.8)
24/25	.823 (20.9)	1.010 (25.7)	1.200 (30.5)	1.400 (35.6)
28	1.041 (26.4)	1.180 (30.0)	1.480 (37.6)	1.640 (41.7)
32	1.092 (27.7)	1.370 (34.8)	1.610 (40.9)	1.880 (47.8)

Shell Size	K Max	L		Shrink Boot *
		Max	Cable Entry Min	
08	.500 (12.7)	.688 (17.5)	.250 (6.4)	770-001S103
10/11	.500 (12.7)	.803 (20.4)	.355 (9.0)	770-001S103
12/13	.500 (12.7)	.938 (23.8)	.491 (12.5)	770-001S104
14/15	.500 (12.7)	1.063 (27.0)	.565 (14.4)	770-001S104
16/17	.500 (12.7)	1.238 (31.4)	.690 (17.5)	770-001S106
18	.500 (12.7)	1.310 (33.3)	.769 (19.5)	770-001S106
20	.500 (12.7)	1.436 (36.5)	.844 (21.4)	770-001S107
22	.500 (12.7)	1.560 (39.6)	1.019 (25.9)	770-001S107
24	.500 (12.7)	1.686 (42.8)	1.134 (28.8)	770-001S108
28	.687 (17.4)	2.062 (52.4)	1.369 (34.8)	770-001S108
32	.687 (17.4)	2.312 (58.7)	1.615 (41.0)	770-001S109
36	.687 (17.4)	2.562 (65.1)	1.830 (46.5)	Consult Factory
40	.687 (17.4)	2.812 (71.4)	2.045 (51.9)	Consult Factory

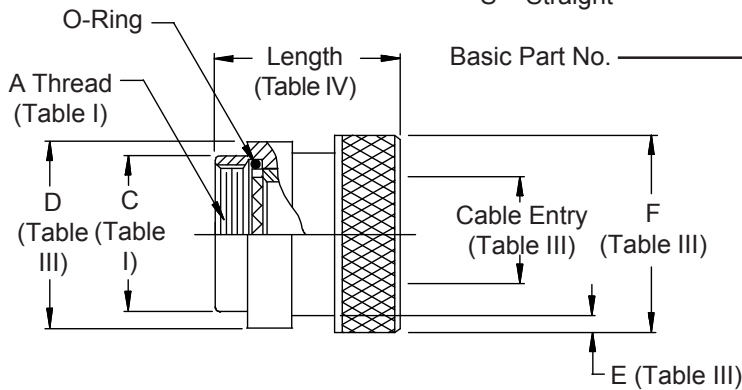
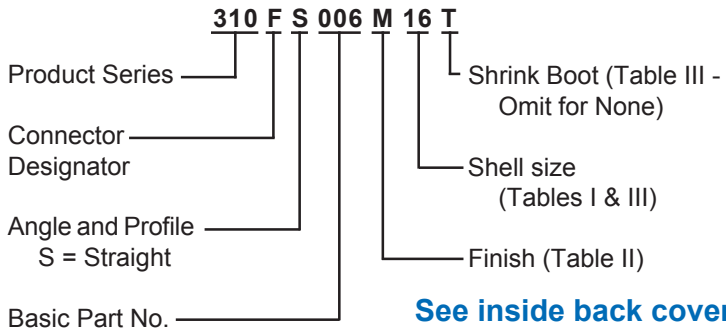
\* Equivalent boot may be supplied in lieu of stated part number.

1. Cable Entry is defined as the accommodation range for the wire bundle or cable. Dimensions shown are not intended for inspection criteria.
2. See Shrink Boot Reference Information (page 40).
3. Metric dimensions (mm) are indicated in parentheses.
4. When using Connector Designator B refer to pages 18 and 19 for part number development.



# 310-006 O-Ring Sealed Shrink Boot Adapter Straight - Direct Coupling - Low Profile

## CONNECTOR DESIGNATORS **A-F-H-L-S** DIRECT COUPLING



**See inside back cover fold-out or pages 13 and 14 for unabridged Tables I and II.**

1. See Shrink Boot Reference Information (page 40).
2. Metric dimensions (mm) are indicated in parentheses.

**TABLE III: CABLE ENTRY AND SHRINK BOOT**

Shell Size	D Max	Cable Entry Min	E Min	F Max	Shrink Boot
08/09	.657 (16.7)	.250 (6.4)	.044 (1.1)	.688 (17.5)	770-001S103
10/11	.774 (19.7)	.355 (9.0)	.044 (1.1)	.803 (20.4)	770-001S103
12/13	.818 (20.8)	.491 (12.5)	.044 (1.1)	.938 (23.8)	770-001S104
14/15	1.024 (26.0)	.565 (14.4)	.044 (1.1)	1.063 (27.0)	770-001S104
16/17	1.152 (29.3)	.690 (17.5)	.069 (1.8)	1.238 (31.4)	770-001S106
18/19	1.243 (31.6)	.769 (19.5)	.069 (1.8)	1.310 (33.3)	770-001S106
20/21	1.370 (34.8)	.844 (21.4)	.069 (1.8)	1.436 (36.5)	770-001S106
22/23	1.443 (36.7)	1.019 (25.9)	.069 (1.8)	1.560 (39.6)	770-001S107
24/25	1.618 (41.1)	1.134 (28.8)	.069 (1.8)	1.686 (42.8)	770-001S108
28/29	1.969 (50.0)	1.369 (34.8)	.086 (2.2)	2.062 (52.4)	770-001S108*
32	2.219 (56.4)	1.615 (41.0)	.086 (2.2)	2.312 (58.7)	770-001S109*
36	2.469 (62.7)	1.830 (46.5)	.086 (2.2)	2.562 (65.1)	Consult Factory
40	2.719 (69.1)	2.045 (51.9)	.086 (2.2)	2.812 (71.4)	Overmolded
44	2.969 (75.4)	2.300 (58.4)	.086 (2.2)	3.062 (77.8)	Overmolded
48	3.219 (81.8)	2.550 (64.8)	.086 (2.2)	3.312 (84.1)	Overmolded

\*Equivalent boot may be supplied in lieu of stated part number.

**TABLE IV: LENGTH**

Shell Sizes	Length Max - Connector Designator			
	A	F	H	L & S
08-25	.540 (13.7)	.625 (15.9)	.688 (17.5)	.750 (19.1)
28-48	.702 (17.8)	---	---	---

**TABLE II - STANDARD FINISHES**

GLENAIR SYMBOL	FINISH
B	Cadmium Plate, Olive Drab
C	Anodize, Black
G	Hard Coat, Anodic
M	Electroless Nickel
NF	Cadmium Plate, Olive Drab Over Electroless Nickel

See Back Cover for Complete Finish Information and Additional Finish Options

-445

Add "-445" to Specify Glenair's Non-Detent, ("NESTOR") Spring-Loaded, Self-Locking Coupling. See Page 41 for Details.

Series 311  
Lamp-Base Thread EMI/RFI Shrink Boot Adapter  
with Strain Relief and Optional Shrink Boot



311



## PRODUCT FEATURES

- Simple, Lamp-Base Style Shield Termination
- Shield Wall Thickness Range: 0 to .031 (0.8mm)
- Rotatable, Self-Locking and Direct Coupling
- Standard and Low Profile Designs
- Straight, 45°, 90° and Split Shell Configurations
- Optional Shrink Boots Available
- Optional Strain-Reliefs Available

Simple but effective EMI/RFI and environmental protection

***Complete protection solution: grounded backshell, shield termination, environmental sealing and mechanical strain-relief***

This series of adapters provides a simplified method of grounding over-all shields. The over-all shield/braid is secured between a male and female lamp-base type thread providing a good bonding joint. Strain relief clamps and shrink boot attachments are available. As an added option, the 311 Series can be provided with a straight shrink boot. Equivalent boot may be supplied in lieu of stated part number.

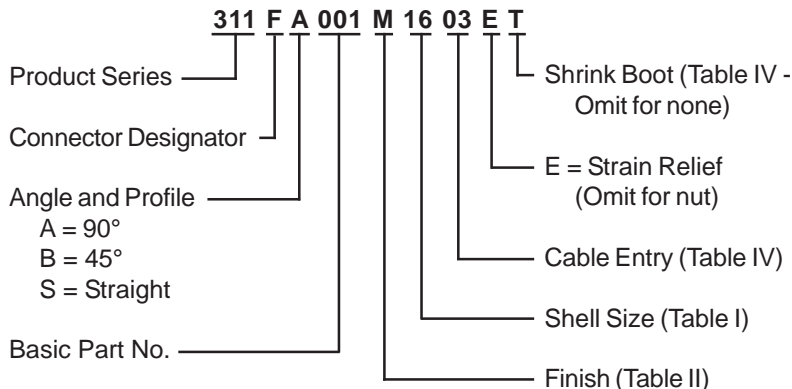


**CONNECTOR  
 DESIGNATORS**

**A-F-H**

**J-L-S**

**ROTATABLE  
 COUPLING**



**STYLE 2  
 (STRAIGHT  
 See Note 5)**



**STYLE E  
 STRAIN RELIEF**



**STYLE 2  
 (45° & 90°  
 See Note 5)**



**311-001**  
**Lamp-Base Thread EMI/RFI Shrink Boot Adapter**  
 with Strain Relief and Optional Shrink Boot  
 Rotatable Coupling - Low Profile



See inside back cover fold-out  
 or pages 13 and 14  
 for unabridged Tables I and II.

**TABLE III: DIMENSIONS**

SHELL SIZE		E	F	G	H
A-F-J-L-S	H	Max	Max	Max	Max
08	09	.457 (11.6)	1.630 (41.4)	.500 (12.7)	1.640 (41.7)
10	11	.520 (13.2)	1.690 (42.9)	.595 (15.1)	1.760 (44.7)
12	13	.582 (14.8)	1.750 (44.5)	.610 (15.5)	1.780 (45.2)
14	15	.645 (16.4)	1.840 (46.7)	.700 (17.8)	1.850 (47.0)
16	17	.738 (18.7)	1.950 (49.5)	.885 (22.5)	1.940 (49.3)
18	19	.926 (23.5)	2.140 (54.4)	.975 (24.8)	2.110 (53.6)
20	21	.926 (23.5)	2.140 (54.4)	.975 (24.8)	2.110 (53.6)
22	23	1.020 (25.9)	2.290 (58.2)	1.125 (28.6)	2.220 (56.4)
24	25	1.020 (25.9)	2.290 (58.2)	1.125 (28.6)	2.220 (56.4)
28		1.145 (29.1)	2.340 (59.4)	1.225 (31.1)	2.390 (60.7)
32		1.207 (30.7)	2.440 (62.0)	1.575 (40.0)	2.640 (67.1)
36		1.238 (31.4)	2.530 (64.3)	1.775 (45.1)	2.640 (67.1)

**TABLE IV: CABLE ENTRY AND SHRINK BOOT**

Dash No.	J Max	K Max	Cable Entry Max	Shrink Boot
01	.448 (11.4)	.781 (19.8)	.125 (3.2)	n/a
02	.515 (13.1)	.968 (24.6)	.250 (6.4)	770-001S103
03	.640 (16.3)	1.046 (26.6)	.375 (9.5)	770-001S103
04	.765 (19.4)	1.156 (29.4)	.500 (12.7)	770-001S104
05	.920 (23.4)	1.219 (31.0)	.625 (15.9)	770-001S104
06	1.015 (25.8)	1.343 (34.1)	.750 (19.1)	770-001S105
07	1.140 (29.0)	1.469 (37.3)	.875 (22.2)	770-001S106
08	1.265 (32.1)	1.594 (40.5)	1.000 (25.4)	770-001S106
09	1.432 (36.4)	1.719 (43.7)	1.125 (28.6)	770-001S107
10	1.515 (38.5)	1.844 (46.8)	1.250 (31.8)	770-001S107
11	1.640 (41.7)	n/a	1.375 (34.9)	770-001S108
12	1.765 (44.8)	n/a	1.500 (38.1)	770-001S108
13	2.015 (51.2)	n/a	1.750 (44.5)	770-001S108

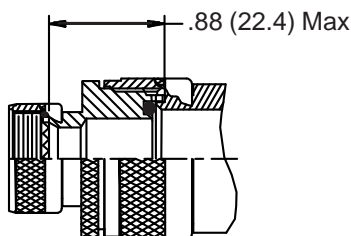
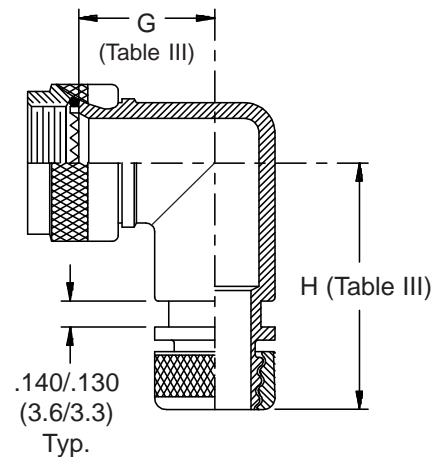
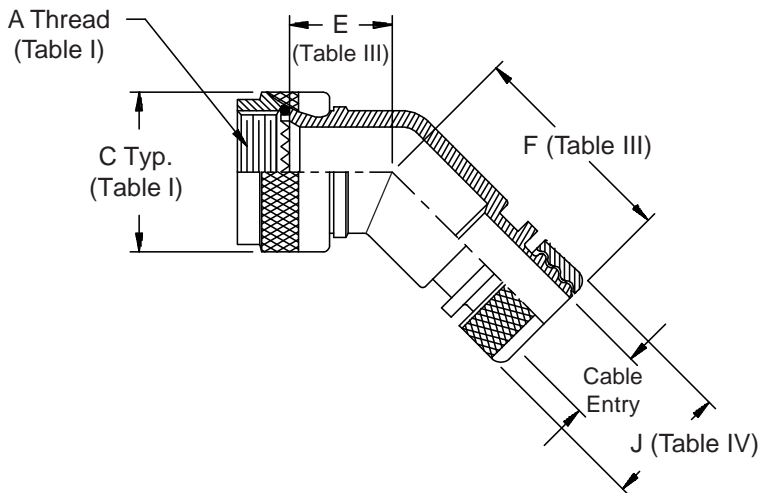
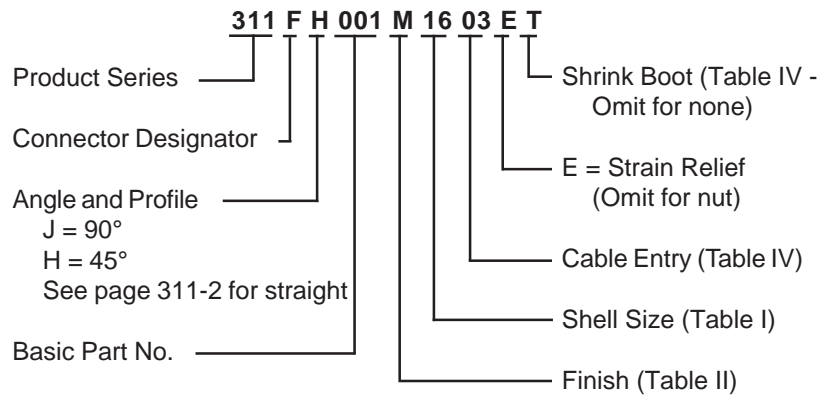
1. Cable Entry is defined as the accomodation range for the wire bundle or cable. Dimensions shown are not intended for inspection criteria.
2. See Shrink Boot Reference Information (page 40).
3. Metric dimensions (mm) are indicated in parentheses.
4. O-Rings not supplied with Connector Designator A.
5. When maximum entry (page 21) is exceeded, Style 2 will be supplied. Dimensions E, F, G & H will not apply. Please consult factory.

**TABLE II - STANDARD FINISHES**

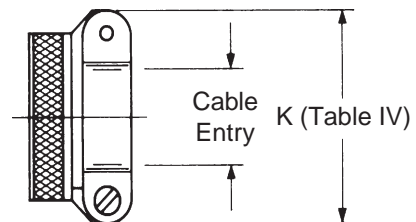
GLENAIR SYMBOL FINISH	
B	Cadmium Plate, Olive Drab
M	Electroless Nickel
NF	Cadmium Plate, Olive Drab Over Electroless Nickel

See Inside Back Cover for Complete Finish Information and Additional Finish Options

**CONNECTOR**  
**DESIGNATORS**  
**A-F-H-L-S**  
**ROTATABLE**  
**COUPLING**



**STYLE 2**  
**(45° & 90°)**  
 See Note 5)



**STYLE E**  
**STRAIN RELIEF**

**311-001**  
**Lamp-Base Thread EMI/RFI Shrink Boot Adapter**  
**with Strain Relief and Optional Shrink Boot**  
**Rotatable Coupling - Standard Profile**



See inside back cover fold-out  
 or pages 13 and 14  
 for unabridged Tables I and II.

**TABLE III: DIMENSIONS**

SHELL SIZE		E	F	G	H
A-F-L-S	H	Max	Max	Max	Max
08	09	.830 (21.1)	1.045 (26.5)	.940 (23.9)	1.155 (29.3)
10	11	.860 (21.8)	1.075 (27.3)	1.010 (25.7)	1.225 (31.1)
12	13	.882 (22.4)	1.097 (27.9)	1.070 (27.2)	1.285 (32.6)
14	15	.900 (22.9)	1.125 (28.6)	1.130 (28.7)	1.345 (34.2)
16	17	.930 (23.6)	1.145 (29.1)	1.190 (30.2)	1.405 (35.7)
18	19	.950 (24.1)	1.165 (29.6)	1.240 (31.5)	1.455 (37.0)
20	21	.980 (24.9)	1.195 (30.4)	1.310 (33.3)	1.525 (38.7)
22	23	1.000 (25.4)	1.215 (30.9)	1.360 (34.5)	1.575 (40.0)
24	25	1.030 (26.2)	1.245 (31.6)	1.430 (36.3)	1.645 (41.8)

**TABLE IV: CABLE ENTRY AND SHRINK BOOT**

Dash No.	J Max	K Max	Cable Entry Max	Shrink Boot
01	.448 (11.4)	.781 (19.8)	.125 (3.2)	n/a
02	.515 (13.1)	.968 (24.6)	.250 (6.4)	770-001S103
03	.640 (16.3)	1.046 (26.6)	.375 (9.5)	770-001S103
04	.765 (19.4)	1.156 (29.4)	.500 (12.7)	770-001S104
05	.920 (23.4)	1.219 (31.0)	.625 (15.9)	770-001S104
06	1.015 (25.8)	1.343 (34.1)	.750 (19.1)	770-001S105
07	1.140 (29.0)	1.469 (37.3)	.875 (22.2)	770-001S106
08	1.265 (32.1)	1.594 (40.5)	1.000 (25.4)	770-001S106
09	1.432 (36.4)	1.719 (43.7)	1.125 (28.6)	770-001S107

**-445** Now Available with the "NESTOR"

**Glenair's Non-Detent, Spring-Loaded, Self-Locking Coupling.**

**Add "-445" to Specify This AS85049 Style "N" Coupling Interface.**

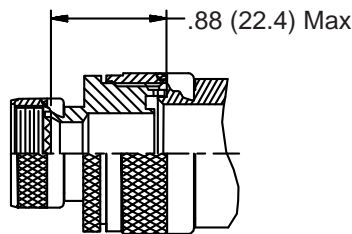
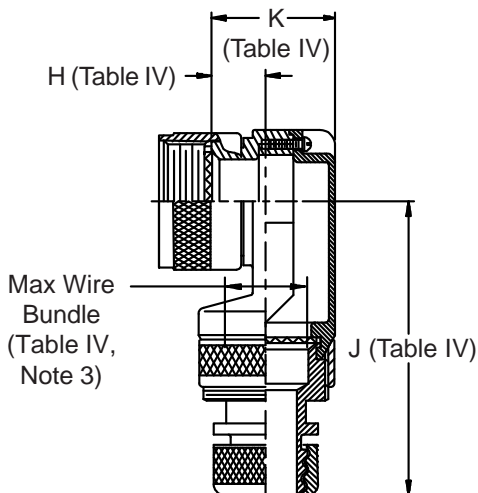
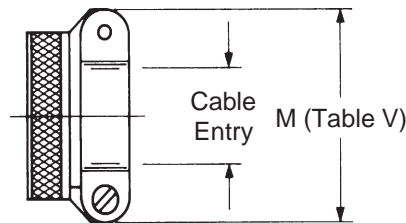
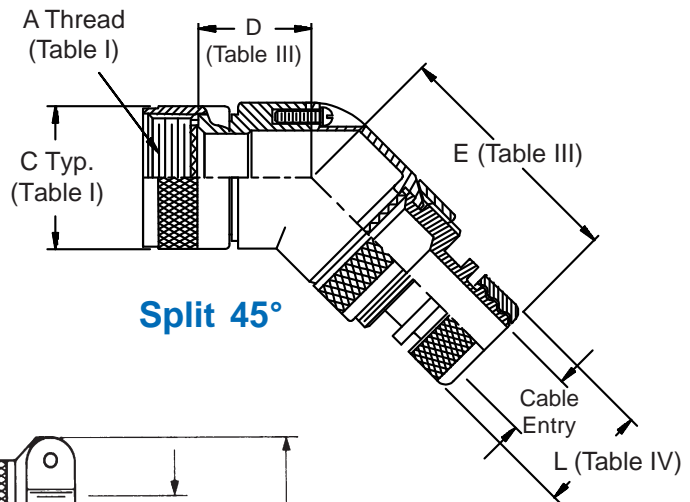
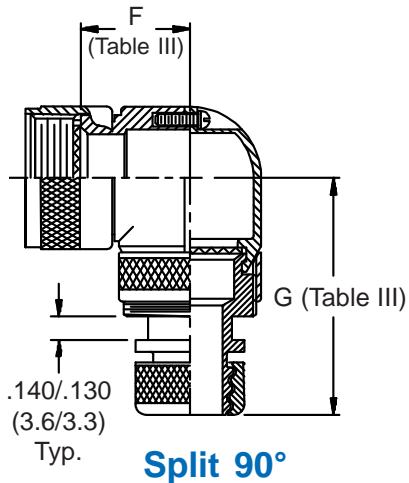
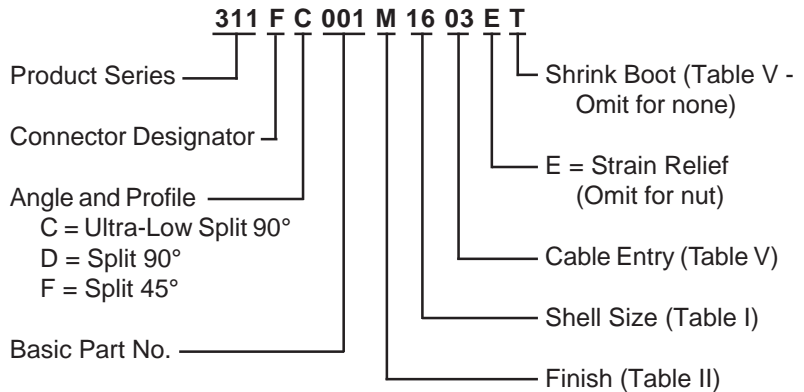
1. Cable Entry is defined as the accommodation range for the wire bundle or cable. Dimensions shown are not intended for inspection criteria.
2. See Shrink Boot Reference Information (page 40).
3. Metric dimensions (mm) are indicated in parentheses.
4. O-Ring not supplied with Connector Designator A.
5. When maximum entry is exceeded, Style 2 will be supplied. Dimensions E, F, G, & H will not apply. Please consult factory.

**TABLE II - STANDARD FINISHES**

GLENAIR SYMBOL FINISH	
B	Cadmium Plate, Olive Drab
M	Electroless Nickel
NF	Cadmium Plate, Olive Drab Over Electroless Nickel

See Inside Back Cover for Complete Finish Information and Additional Finish Options

**CONNECTOR**  
**DESIGNATORS**  
**A-F-H-L-S**  
**ROTATABLE**  
**COUPLING**



GLENAIR SYMBOL FINISH	
B	Cadmium Plate, Olive Drab
M	Electroless Nickel
NF	Cadmium Plate, Olive Drab Over Electroless Nickel

See Inside Back Cover for Complete Finish Information and Additional Finish Options



**311-001**  
**Lamp-Base Thread EMI/RFI Shrink Boot Adapter**  
**with Strain Relief and Optional Shrink Boot**  
**Rotatable Coupling - Split Shell**



See inside back cover fold-out or pages 13 and 14 for unabridged Tables I and II.

**TABLE III: SPLIT 90° and SPLIT 45°**

SHELL SIZE		D	E	F	G
A-F-L-S	H	Max	Max	Max	Max
08	09	.440 (11.2)	1.740 (44.2)	.680 (17.3)	1.680 (42.7)
10	11	.500 (12.7)	1.800 (45.7)	.750 (19.1)	1.740 (44.2)
12	13	.560 (14.2)	1.870 (47.5)	.810 (20.6)	1.810 (46.0)
14	15	.620 (15.7)	1.900 (48.3)	.870 (22.1)	1.840 (46.7)
16	17	.680 (17.3)	2.000 (50.8)	.930 (23.6)	1.940 (49.3)
18	19	.750 (19.1)	2.060 (52.3)	1.000 (25.4)	2.000 (50.8)
20	21	.820 (20.8)	2.120 (53.8)	1.060 (26.9)	2.060 (52.3)
22	23	.880 (22.4)	2.180 (55.4)	1.120 (28.4)	2.120 (53.8)
24	25	.940 (23.9)	2.240 (56.9)	1.180 (30.0)	2.340 (59.4)

**TABLE IV: ULTRA LOW-PROFILE SPLIT 90°**

SHELL SIZE		H	J	K	Max Wire
A-F-L-S	H	Ref.	Max	Max	Bundle
08	09	.340 (8.6)	2.020 (51.3)	.681 (17.3)	.250 (6.4)
10	11	.270 (6.9)	2.180 (55.4)	.731 (18.6)	.375 (9.5)
12	13	.270 (6.9)	2.180 (55.4)	.731 (18.6)	.375 (9.5)
14	15	.280 (7.1)	2.250 (57.2)	.831 (21.1)	.500 (12.7)
16	17	.420 (10.7)	2.300 (58.4)	.981 (24.9)	.625 (15.9)
18	19	.640 (16.3)	2.330 (59.2)	1.181 (30.0)	.625 (15.9)
20	21	.640 (16.3)	2.330 (59.2)	1.181 (30.0)	.625 (15.9)
22	23	.540 (13.7)	2.480 (63.0)	1.181 (30.0)	.750 (19.1)
24	25	.540 (13.7)	2.480 (63.0)	1.181 (30.0)	.750 (19.1)

**TABLE V: CABLE ENTRY AND SHRINK BOOT**

Dash No.	L Max	M Max	Cable Entry Max	Shrink Boot
01	.448 (11.4)	.781 (19.8)	.125 (3.2)	n/a
02	.515 (13.1)	.968 (24.6)	.250 (6.4)	770-001S103
03	.640 (16.3)	1.046 (26.6)	.375 (9.5)	770-001S103
04	.765 (19.4)	1.156 (29.4)	.500 (12.7)	770-001S104
05	.920 (23.4)	1.219 (31.0)	.625 (15.9)	770-001S104
06	1.015 (25.8)	1.343 (34.1)	.750 (19.1)	770-001S105
07	1.140 (29.0)	1.469 (37.3)	.875 (22.2)	770-001S106
08	1.265 (32.1)	1.594 (40.5)	1.000 (25.4)	770-001S106
09	1.432 (36.4)	1.719 (43.7)	1.125 (28.6)	770-001S107
10	1.515 (38.5)	1.844 (46.8)	1.250 (31.8)	770-001S107

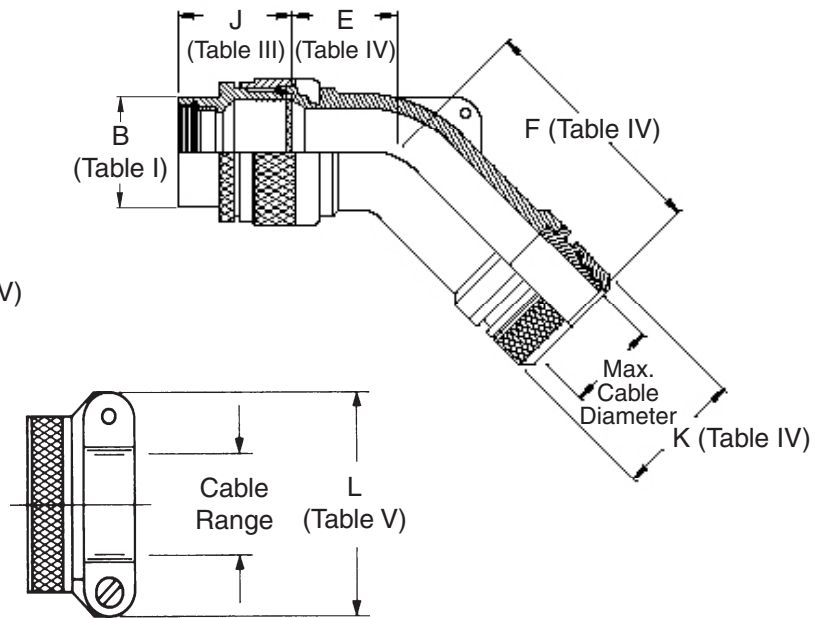
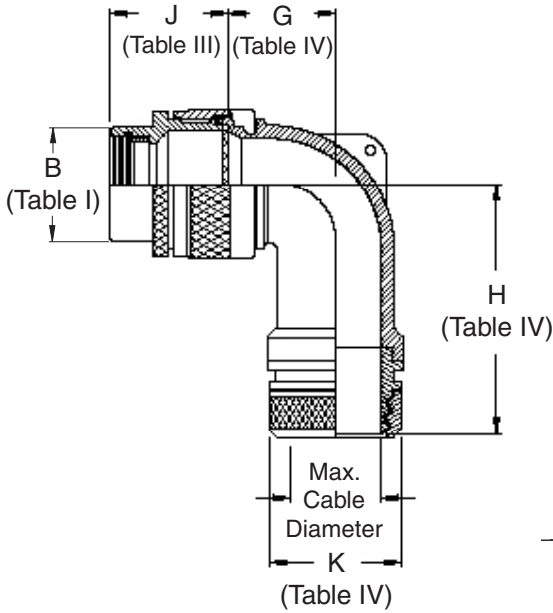
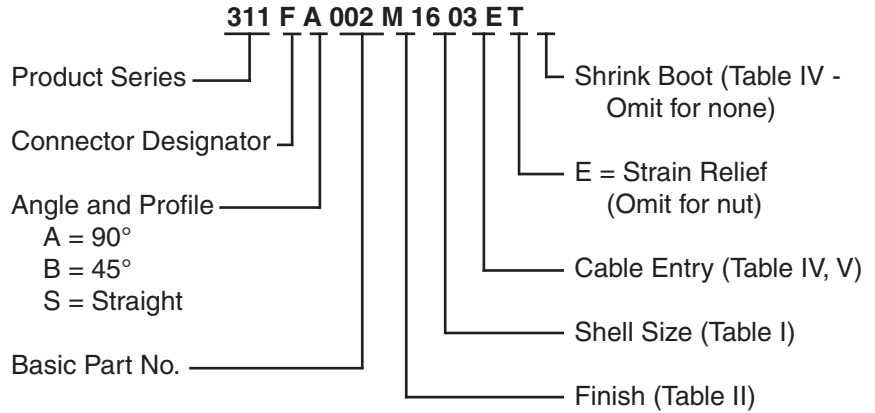
1. Cable Entry is defined as the accommodation range for the wire bundle or cable. Dimensions shown are not intended for inspection criteria.
2. Metric dimensions (mm) are indicated in parentheses.
3. When maximum entry (page 21) is exceeded, Style 2 will be supplied (not available for Function C). Dimensions D, E, F, & G will not apply. Please consult factory.
4. See Shrink Boot Reference Information (pages 40 and 41).
5. Angular function "C", low-profile split elbow, not available with "S" connector designator.

**CONNECTOR  
 DESIGNATORS**

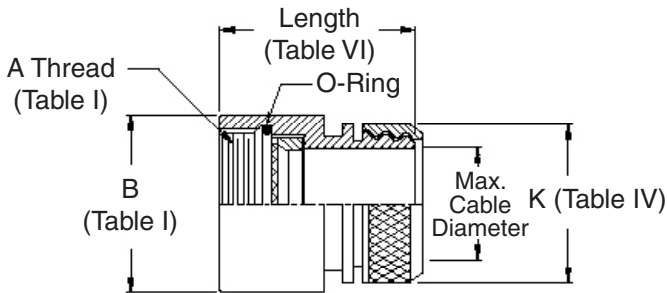
**A-B\*-C-D-E-F**  
**G-H-J-K-L-S**

\* Conn. Desig. B See Note 5

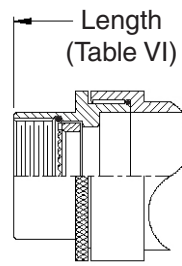
**DIRECT  
 COUPLING**



**STYLE E  
 STRAIN RELIEF**



**STYLE 1**



**STYLE 2  
 (STRAIGHT  
 See Note 4)**

GLENAIR	
SYMBOL	FINISH
B	Cadmium Plate, Olive Drab
M	Electroless Nickel
NF	Cadmium Plate, Olive Drab Over Electroless Nickel

See Inside Back Cover for Complete Finish Information and Additional Finish Options

# 311-002

## Lamp-Base Thread EMI/RFI Shrink Boot Adapter with Strain Relief and Optional Shrink Boot Direct Coupling - Low Profile



See inside back cover fold-out  
or pages 13 and 14  
for unabridged Tables I and II.

1. Cable Entry or range is defined as the accommodation range for the wire bundle or cable. Dimensions shown are not intended for inspection criteria.
2. See Shrink Boot Reference Information (page 40).
3. Metric dimensions (mm) are indicated in parentheses.
4. When maximum entry (page 21) is exceeded, Style 2 will be supplied. (Function S only)
5. When using Connector Designator B refer to pages 18 and 19 for part number development.
6. Shrink boot is not applicable for strain relief option. Please consult factory.

TABLE III: FRONT ADAPTER				
Shell Size	J Max - Conn. Designator			
	A-E-F			C
	J-H-L-S	D-B-G-K		
08/09	1.180 (30.0)	1.250 (31.8)		
10/11	1.180 (30.0)	1.250 (31.8)		
12/13	1.180 (30.0)	1.250 (31.8)	1.735(44.1)	
14/15	1.180 (30.0)	1.250 (31.8)	1.915(48.6)	
16/17	1.380 (35.0)	1.560 (39.6)	1.915(48.6)	
18/19	1.380 (35.0)	1.560 (39.6)	1.915(48.6)	
20/21	1.380 (35.0)	1.560 (39.6)	1.915(48.6)	
22/23	1.380 (35.0)	1.560 (39.6)	1.915(48.6)	
24/25	1.380 (35.0)	1.560 (39.6)	1.915(48.6)	
28/29	1.610 (40.9)	1.560 (39.6)	1.915(48.6)	
32/33	1.610 (40.9)	1.750 (44.5)	1.915(48.6)	
36	1.610 (40.9)	1.750 (44.5)	1.915(48.6)	
40	1.610 (40.9)	2.190 (55.6)	1.915(48.6)	

TABLE IV: CABLE ENTRY/DIMENSIONS									
Dash No.	E Max	F Max	G Max	H Max	K Max	Max Cable Diameter	Shrink Boot		
01	.457 (11.6)	1.630 (41.4)	.500 (12.7)	1.640 (41.7)	.448 (11.4)	.125 (3.2)	770-003S111		
02	.457 (11.6)	1.630 (41.4)	.500 (12.7)	1.640 (41.7)	.515 (13.1)	.250 (6.4)	770-003S112		
03	.520 (13.2)	1.690 (42.9)	.595 (15.1)	1.760 (44.7)	.640 (16.3)	.375 (9.5)	770-001S103		
04	.582 (14.8)	1.750 (44.5)	.610 (15.5)	1.780 (45.2)	.765 (19.4)	.500 (12.7)	770-001S103		
05	.645 (16.4)	1.840 (46.7)	.700 (17.8)	1.850 (47.0)	.920 (23.4)	.625 (15.9)	770-001S104		
06	.738 (18.7)	1.950 (49.5)	.885 (22.5)	1.940 (49.3)	1.015 (25.8)	.750 (19.1)	770-001S104		
07	.926 (23.5)	2.140 (54.4)	.975 (24.8)	2.110 (53.6)	1.140 (29.0)	.875 (22.2)	770-001S105		
08	.926 (23.5)	2.290 (58.2)	.975 (24.8)	2.220 (56.4)	1.265 (32.1)	1.000 (25.4)	770-001S106		
09	1.020 (25.9)	2.290 (58.2)	1.125 (28.6)	2.220 (56.4)	1.432 (36.4)	1.125 (28.6)	770-001S107		
10	1.020 (25.9)	2.290 (58.2)	1.125 (28.6)	2.220 (56.4)	1.515 (38.5)	1.250 (31.8)	770-001S107		
11	1.145 (29.1)	2.340 (59.4)	1.225 (31.1)	2.390 (60.7)	1.640 (41.7)	1.375 (34.9)	770-001S107		
12	1.207 (30.7)	2.440 (62.0)	1.575 (40.0)	2.640 (67.1)	1.765 (44.8)	1.500 (38.1)	770-001S107		
13	1.238 (31.4)	2.530 (64.3)	1.775 (45.1)	2.640 (67.1)	2.015 (51.2)	1.750 (44.5)	770-001S108		

TABLE V: CABLE ENTRY/DIMENSIONS				
Dash No.	L Max	Cable Range		
		Min	Max	
01	.781 (19.8)	.062 (1.6)	.125 (3.2)	(3.2)
02	.968 (24.6)	.125 (3.2)	.250 (6.4)	(6.4)
03	1.046 (26.6)	.250 (6.4)	.375 (9.5)	(9.5)
04	1.156 (29.4)	.312 (7.9)	.500 (12.7)	(12.7)
05	1.219 (31.0)	.437 (11.1)	.625 (15.9)	(15.9)
06	1.343 (34.1)	.562 (14.3)	.750 (19.1)	(19.1)
07	1.469 (37.3)	.687 (17.4)	.875 (22.2)	(22.2)
08	1.594 (40.5)	.812 (20.6)	1.000 (25.4)	(25.4)
09	1.719 (43.7)	.937 (23.8)	1.125 (28.6)	(28.6)
10	1.844 (46.8)	1.062 (27.0)	1.250 (31.8)	(31.8)

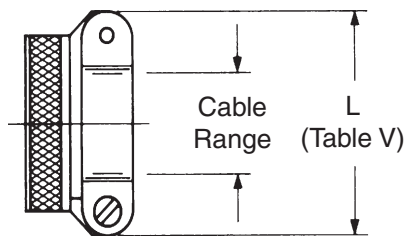
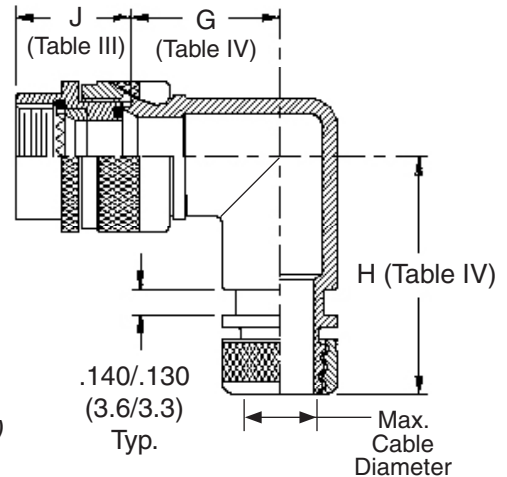
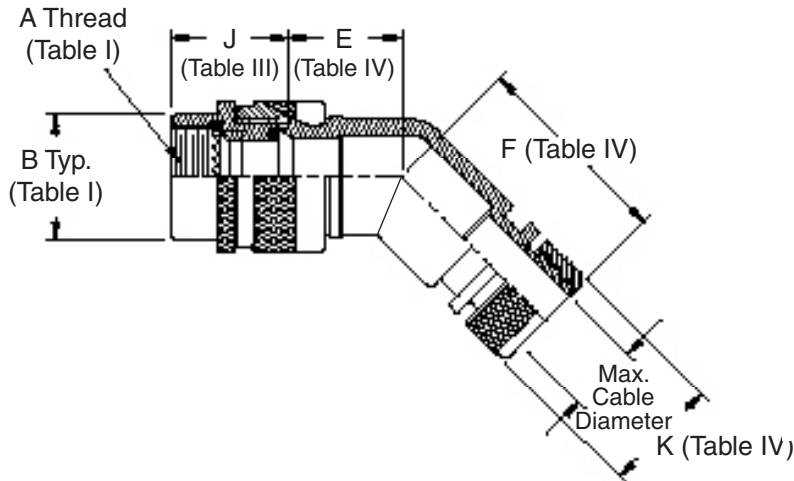
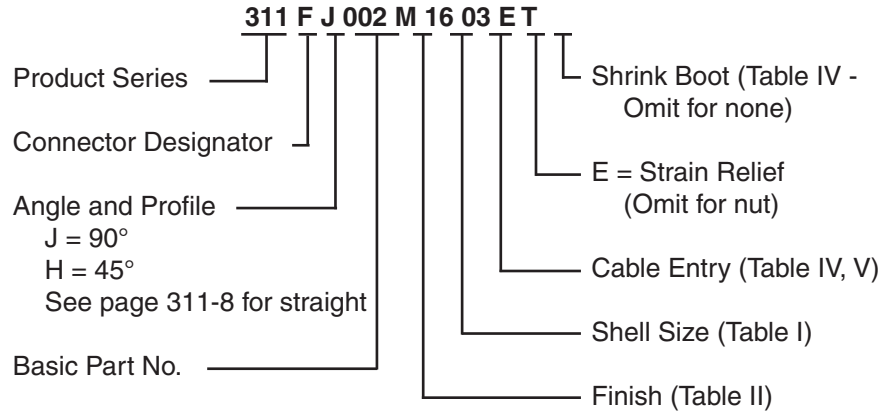
TABLE VI: LENGTH			
Conn. Desig.	Length (Max)		
	Style 1	Style 2	
A	1.750 (44.5)	2.000 (50.8)	
B	1.630 (41.4)	1.880 (47.8)	
C	2.130 (54.1)	2.380 (60.5)	
D	1.630 (41.4)	1.880 (47.8)	
E	1.250 (31.8)	1.500 (38.1)	
F	1.250 (31.8)	1.500 (38.1)	
G	1.750 (44.5)	2.000 (50.8)	
H	1.750 (44.5)	2.000 (50.8)	
J	1.250 (31.8)	1.500 (38.1)	
K	2.130 (54.1)	2.380 (60.5)	
L	1.380 (35.1)	1.630 (41.4)	
S	1.750 (44.5)	2.000 (50.8)	

**CONNECTOR  
 DESIGNATORS**

**A-B\*-C-D-E-F**  
**G-H-J-K-L-S**

\* Conn. Desig. B See Note 4

**DIRECT  
 COUPLING**



**STYLE E  
 STRAIN RELIEF**

**311-002**  
**Lamp-Base Thread EMI/RFI Shrink Boot Adapter**  
 with Strain Relief and Optional Shrink Boot  
 Direct Coupling - Standard Profile



See inside back cover fold-out  
 or pages 13 and 14  
 for unabridged Tables I and II.

1. Cable Entry or range is defined as the accommodation range for the wire bundle or cable. Dimensions shown are not intended for inspection criteria.
2. See Shrink Boot Reference Information (page 40).
3. Metric dimensions (mm) are indicated in parentheses.
4. When using Connector Designator B refer to pages 18 and 19 for part number development.
5. Shrink boot is not applicable for strain relief option. Please consult factory.

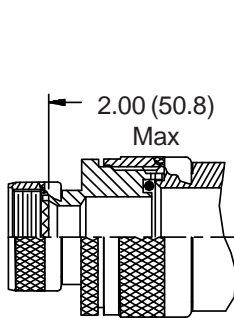
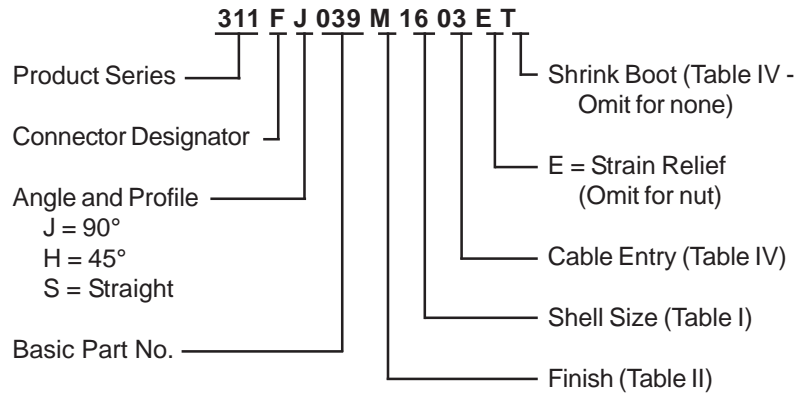
TABLE III: FRONT ADAPTER			
Shell Size	J Max - Conn. Designator		
	A-E-F J-H-L-S	D-B-G-K	C
08/09	1.180 (30.0)	1.250 (31.8)	
10/11	1.180 (30.0)	1.250 (31.8)	
12/13	1.180 (30.0)	1.250 (31.8)	1.735(44.1)
14/15	1.180 (30.0)	1.250 (31.8)	1.915(48.6)
16/17	1.380 (35.0)	1.560 (39.6)	1.915(48.6)
18/19	1.380 (35.0)	1.560 (39.6)	1.915(48.6)
20/21	1.380 (35.0)	1.560 (39.6)	1.915(48.6)
22/23	1.380 (35.0)	1.560 (39.6)	1.915(48.6)
24/25	1.380 (35.0)	1.560 (39.6)	1.915(48.6)
28/29	1.610 (40.9)	1.560 (39.6)	1.915(48.6)
32/33	1.610 (40.9)	1.750 (44.5)	1.915(48.6)
36	1.610 (40.9)	1.750 (44.5)	1.915(48.6)
40	1.610 (40.9)	2.190 (55.6)	1.915(48.6)

TABLE IV: CABLE ENTRY/DIMENSIONS/SHRINK BOOT							
Dash No.	E Max	F Max	G Max	H Max	K Max	Max Cable Diameter	Shrink Boot
01	.639 (16.2)	1.078 (27.4)	.750 (19.1)	1.188 (30.2)	.448 (11.4)	.125 (3.2)	770-003S111
02	.664 (16.9)	1.108 (28.1)	.810 (20.6)	1.248 (31.7)	.515 (13.1)	.250 (6.4)	770-003S112
03	.688 (17.5)	1.128 (28.7)	.870 (22.1)	1.308 (33.2)	.640 (16.3)	.375 (9.5)	770-001S103
04	.705 (17.9)	1.158 (29.4)	.920 (23.4)	1.378 (35.0)	.765 (19.4)	.500 (12.7)	770-001S103
05	.732 (18.6)	1.178 (29.9)	.980 (24.9)	1.438 (36.5)	.920 (23.4)	.625 (15.9)	770-001S104
06	.773 (19.6)	1.208 (30.7)	1.080 (27.4)	1.518 (38.6)	1.015 (25.8)	.750 (19.1)	770-001S104
07	.800 (20.3)	1.248 (31.7)	1.140 (29.0)	1.598 (40.6)	1.140 (29.0)	.875 (22.2)	770-001S105
08	.823 (20.9)	1.278 (32.5)	1.200 (30.5)	1.668 (42.4)	1.265 (32.1)	1.000 (25.4)	770-001S106
09	.823 (20.9)	1.278 (32.5)	1.200 (30.5)	1.668 (42.4)	1.432 (36.4)	1.125 (28.6)	770-001S107
10	1.041 (26.4)	1.448 (36.8)	1.480 (37.6)	1.908 (48.5)	1.515 (38.5)	1.250 (31.8)	770-001S107
11	1.041 (26.4)	1.448 (36.8)	1.480 (37.6)	1.908 (48.5)	1.640 (41.7)	1.375 (34.9)	770-001S107
12	1.092 (27.7)	1.488 (37.8)	1.610 (40.9)	1.998 (50.7)	1.765 (44.8)	1.500 (38.1)	770-001S107
13	1.136 (28.9)	1.538 (39.1)	1.720 (43.7)	2.108 (53.5)	2.015 (51.2)	1.750 (44.5)	770-001S108

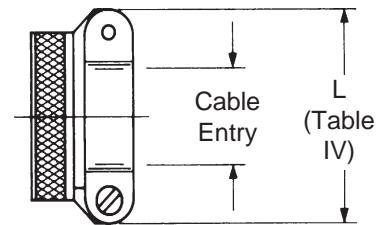
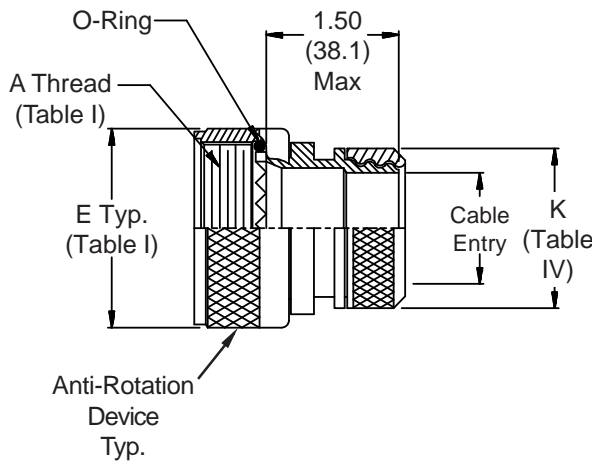
TABLE II - STANDARD FINISHES	
<b>GLENAIR</b>	
<b>SYMBOL</b>	<b>FINISH</b>
B	Cadmium Plate, Olive Drab
M	Electroless Nickel
NF	Cadmium Plate, Olive Drab Over Electroless Nickel
See Inside Back Cover for Complete Finish Information and Additional Finish Options	

TABLE V: CABLE ENTRY/DIMENSIONS			
Dash No.	L Max	Cable Range	
		Min	Max
01	.781 (19.8)	.062 (1.6)	.125 (3.2)
02	.968 (24.6)	.125 (3.2)	.250 (6.4)
03	1.046 (26.6)	.250 (6.4)	.375 (9.5)
04	1.156 (29.4)	.312 (7.9)	.500 (12.7)
05	1.219 (31.0)	.437 (11.1)	.625 (15.9)
06	1.343 (34.1)	.562 (14.3)	.750 (19.1)
07	1.469 (37.3)	.687 (17.4)	.875 (22.2)
08	1.594 (40.5)	.812 (20.6)	1.000 (25.4)
09	1.719 (43.7)	.937 (23.8)	1.125 (28.6)
10	1.844 (46.8)	1.062 (27.0)	1.250 (31.8)

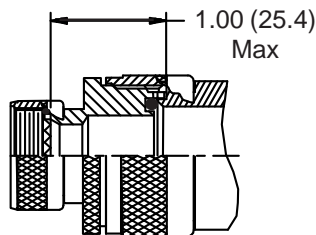
**CONNECTOR DESIGNATORS**  
**A-F-H-L-S**  
**SELF-LOCKING**  
**ROTATABLE**  
**COUPLING**



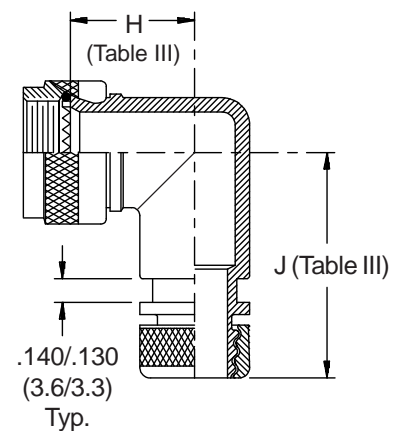
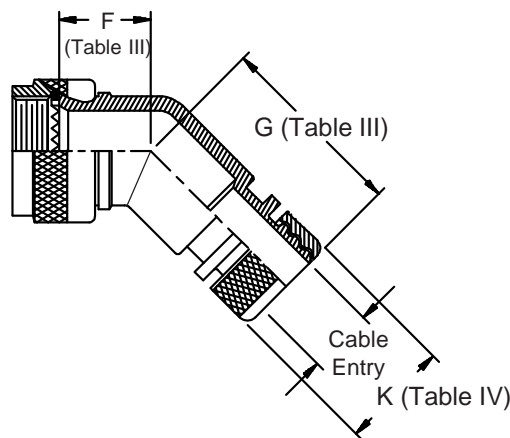
**STYLE 2**  
**(STRAIGHT**  
 See Note 5)



**STYLE E**  
**STRAIN RELIEF**



**STYLE 2**  
**(45° & 90°**  
 See Note 5)





**311-039**  
**Lamp-Base Thread EMI/RFI Shrink Boot Adapter**  
**with Strain Relief and Optional Shrink Boot**  
**Self-Locking - Rotatable Coupling - Standard Profile**



See inside back cover fold-out  
 or pages 13 and 14  
 for Tables I and II.

**TABLE III: DIMENSIONS**

SHELL SIZE		F	G	H	J
A-F-L-S	H	Max	Max	Max	Max
08	09	.795 (20.2)	1.045 (26.5)	.906 (23.0)	1.155 (29.3)
10	11	.820 (20.8)	1.075 (27.3)	.966 (24.5)	1.225 (31.1)
12	13	.844 (21.4)	1.097 (27.9)	1.026 (26.1)	1.285 (32.6)
14	15	.861 (21.9)	1.125 (28.6)	1.076 (27.3)	1.345 (34.2)
16	17	.888 (22.6)	1.145 (29.1)	1.136 (28.9)	1.405 (35.7)
18	19	.904 (23.0)	1.165 (29.6)	1.176 (29.9)	1.455 (37.0)
20	21	.929 (23.6)	1.195 (30.4)	1.236 (31.4)	1.525 (38.7)
22	23	.956 (24.3)	1.215 (30.9)	1.296 (32.9)	1.575 (40.0)
24	25	.979 (24.9)	1.245 (31.6)	1.356 (34.4)	1.645 (41.8)

**TABLE IV: CABLE ENTRY/DIMENSIONS/SHRINK BOOT**

Dash No.	K Max	L Max	Cable Entry Max	Shrink Boot
01	.448 (11.4)	.781 (19.8)	.125 (3.2)	770-003S111
02	.515 (13.1)	.968 (24.6)	.250 (6.4)	770-003S112
03	.640 (16.3)	1.046 (26.6)	.375 (9.5)	770-003S103
04	.765 (19.4)	1.156 (29.4)	.500 (12.7)	770-001S103
05	.920 (23.4)	1.219 (31.0)	.625 (15.9)	770-001S104
06	1.015 (25.8)	1.343 (34.1)	.750 (19.1)	770-001S104
07	1.140 (29.0)	1.469 (37.3)	.875 (22.2)	770-001S105
08	1.265 (32.1)	1.594 (40.5)	1.000 (25.4)	770-001S106
09	1.432 (36.4)	1.719 (43.7)	1.125 (28.6)	770-001S107

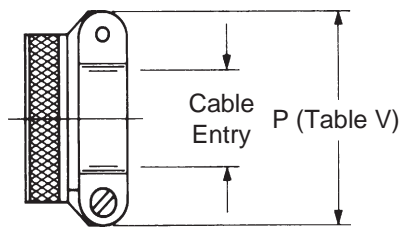
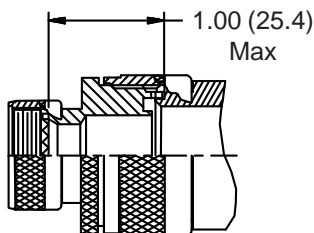
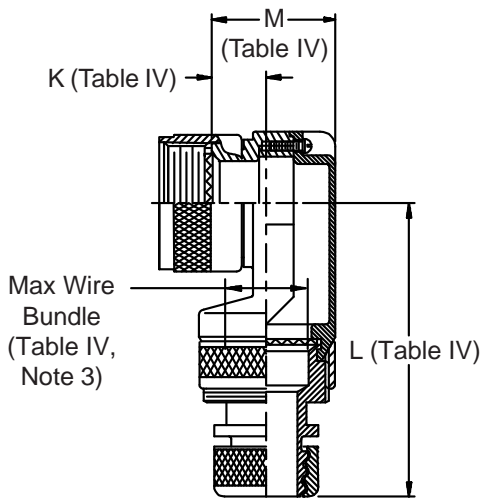
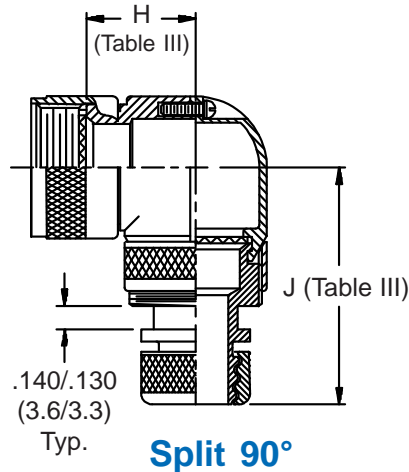
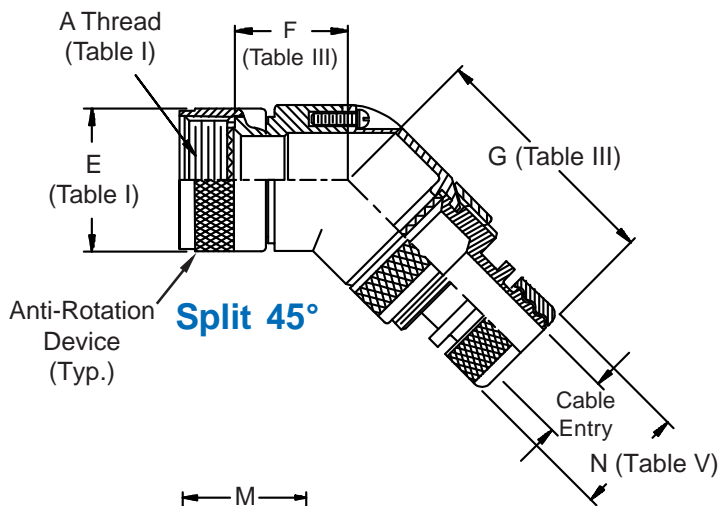
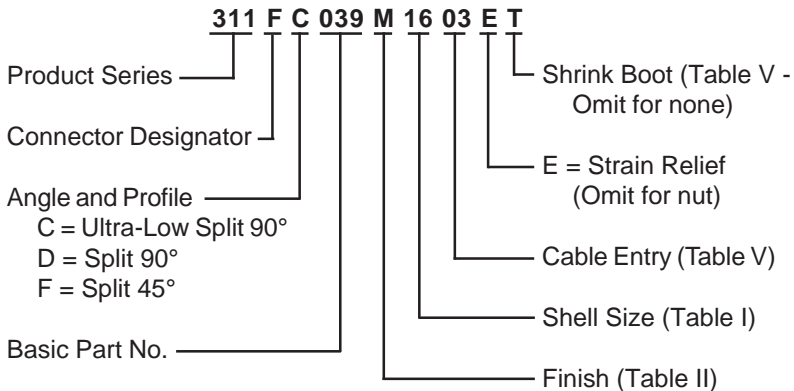
1. Cable Entry is defined as the accomodation range for the wire bundle or cable. Dimensions shown are not intended for inspection criteria.
2. See Shrink Boot Reference Information (page 40).
3. Metric dimensions (mm) are indicated in parentheses.
4. O-Ring not supplied with Connector Designator A.
5. When maximum entry (page 21) is exceeded, Style 2 will be supplied. Dimensions F, G, H & J will not apply. Please consult factory.

**TABLE II - STANDARD FINISHES**

GLENAIR SYMBOL FINISH	
B	Cadmium Plate, Olive Drab
M	Electroless Nickel
NF	Cadmium Plate, Olive Drab Over Electroless Nickel

See Inside Back Cover for Complete Finish Information and Additional Finish Options

**CONNECTOR DESIGNATORS**  
**A-F-H-L-S**  
**SELF-LOCKING**  
**ROTATABLE**  
**COUPLING**



**311-039**  
**Non Environmental Lamp-Base Thread EMI Adapter**  
**with Strain Relief and Optional Shrink Boot**  
**Self-Locking - Rotatable Coupling - Split Shell**



See inside back cover fold-out or pages 13 and 14 for unabridged Tables I and II.

**TABLE III: SPLIT 90° and SPLIT 45°**

SHELL SIZE		F	G	H	J
A-F-L-S	H	Max	Max	Max	Max
08	09	.596 (15.1)	1.740 (44.2)	.836 (21.2)	1.680 (42.7)
10	11	.656 (16.7)	1.800 (45.7)	.906 (23.0)	1.740 (44.2)
12	13	.716 (18.2)	1.870 (47.5)	.966 (24.5)	1.810 (46.0)
14	15	.776 (19.7)	1.900 (48.3)	1.026 (26.1)	1.840 (46.7)
16	17	.836 (21.2)	2.000 (50.8)	1.086 (27.6)	1.940 (49.3)
18	19	.906 (23.0)	2.060 (52.3)	1.156 (29.4)	2.000 (50.8)
20	21	.976 (24.8)	2.120 (53.8)	1.216 (30.9)	2.060 (52.3)
22	23	1.036 (26.3)	2.180 (55.4)	1.276 (32.4)	2.120 (53.8)
24	25	1.096 (27.8)	2.240 (56.9)	1.336 (33.9)	2.340 (59.4)

**TABLE IV: ULTRA LOW-PROFILE SPLIT 90°**

SHELL SIZE		K	L	M	Max Wire
A-F-L-S	H	Ref.	Max	Max	Bundle
08	09	.496 (12.6)	2.020 (51.3)	.837 (21.3)	.250 (6.4)
10	11	.426 (10.8)	2.180 (55.4)	.887 (22.5)	.375 (9.5)
12	13	.426 (10.8)	2.180 (55.4)	.887 (22.5)	.375 (9.5)
14	15	.436 (11.1)	2.250 (57.2)	.987 (25.1)	.500 (12.7)
16	17	.576 (14.6)	2.300 (58.4)	1.137 (28.9)	.625 (15.9)
18	19	.796 (20.2)	2.330 (59.2)	1.337 (34.0)	.625 (15.9)
20	21	.796 (20.2)	2.330 (59.2)	1.337 (34.0)	.625 (15.9)
22	23	.696 (17.7)	2.480 (63.0)	1.337 (34.0)	.750 (19.1)
24	25	.696 (17.7)	2.480 (63.0)	1.337 (34.0)	.750 (19.1)

1. Cable Entry is defined as the accommodation range for the wire bundle or cable. Dimensions shown are not intended for inspection criteria.
2. Metric dimensions (mm) are indicated in parentheses.
3. When maximum entry (page 21) is exceeded, Style 2 will be supplied (not available for Function C).  
Dimensions F, G, H, & J will not apply. Please consult factory.
4. See Shrink Boot Reference Information (page 40).
5. Angular function "C", low-profile split elbow, not available with "S" connector designator.

**TABLE V: CABLE ENTRY/SHRINK BOOT/DIMENSIONS**

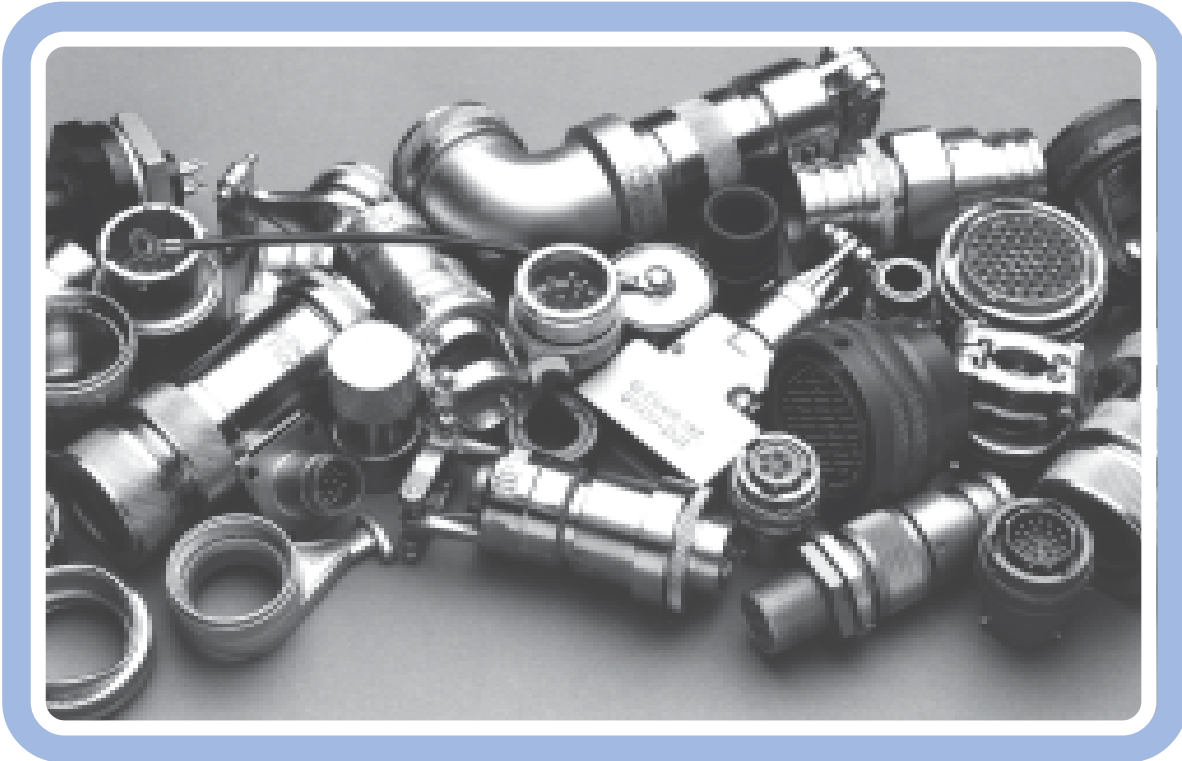
Dash No.	N Max	P Max	Cable Entry Max	Shrink Boot
01	.448 (11.4)	.781 (19.8)	.125 (3.2)	n/a
02	.515 (13.1)	.968 (24.6)	.250 (6.4)	770-001S103
03	.640 (16.3)	1.046 (26.6)	.375 (9.5)	770-001S103
04	.765 (19.4)	1.156 (29.4)	.500 (12.7)	770-001S104
05	.920 (23.4)	1.219 (31.0)	.625 (15.9)	770-001S104
06	1.015 (25.8)	1.343 (34.1)	.750 (19.1)	770-001S105
07	1.140 (29.0)	1.469 (37.3)	.875 (22.2)	770-001S106
08	1.265 (32.1)	1.594 (40.5)	1.000 (25.4)	770-001S106
09	1.432 (36.4)	1.719 (43.7)	1.125 (28.6)	770-001S107
10	1.515 (38.5)	1.844 (46.8)	1.250 (31.8)	770-001S107

**TABLE II - STANDARD FINISHES**

GLENAIR SYMBOL	FINISH
B	Cadmium Plate, Olive Drab
M	Electroless Nickel
NF	Cadmium Plate, Olive Drab Over Electroless Nickel

See Inside Back Cover for Complete Finish Information and Additional Finish Options

Tired of waiting an eternity for  
a simple connector or accessory?



Then Glenair's "Same Day Delivery"  
program is the answer.

**T**ired of long lead times for connectors and accessories? Then consider over 40,000 different part numbers in stock, in quantity, and ready for immediate same-day shipment—including virtually every Mil Spec accessory in the book. Consider as

well Glenair's "no minimum order" policy and our lightning fast turnaround on quotes for price and delivery.

Visit our website at [www.glenair.com](http://www.glenair.com) to search our Same-Day Inventory for all your time-sensitive interconnect requirements.



Commercial and Mil Spec  
connector accessories



Convoluted tubing and  
metal-core conduit



Electrical and fiber optic  
cable assemblies



Composite thermoplastic  
components



Microminiature connectors  
and accessories



Backshell assembly and  
termination tools



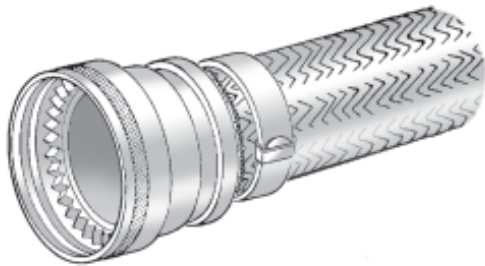
1211 Air Way

Glendale, California 91201-2497

Telephone: 818-247-6000 · Facsimilie: 818-500-9912 · EMail: [sales@glenair.com](mailto:sales@glenair.com)

United States · United Kingdom · Germany · Nordic · France · Italy · Spain

[www.glenair.com](http://www.glenair.com)



## PRODUCT FEATURES

- Tinned Copper Shields Pre-Attached and Packaged for Immediate Application
- Rotatable, Self-Locking and Direct Couplings
- Standard, Low and Ultra-Low Profile Designs
- Straight, 45°, 90° and Split Shell Configurations
- Optional Shrink Boots Available

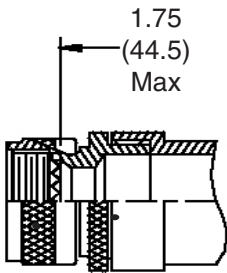
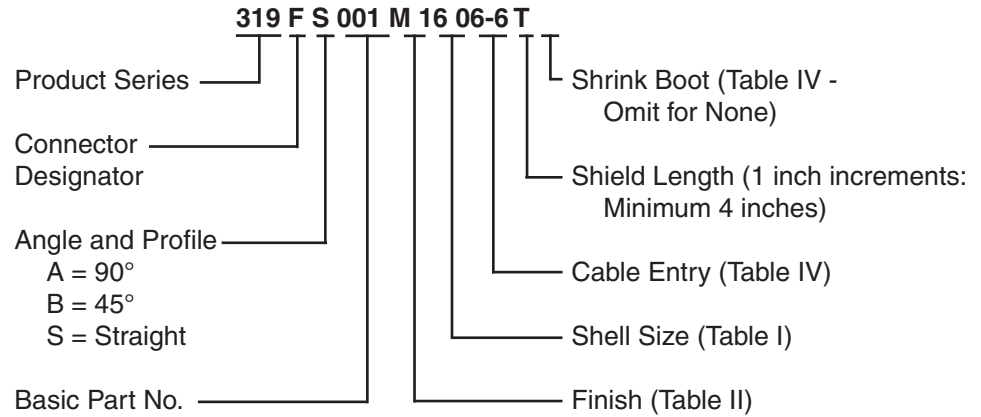
## Ready-to-use shield sock adapters take the pain out of EMI shield termination

### ***Backshells accept shrink boots for additional environmental and mechanical protection***

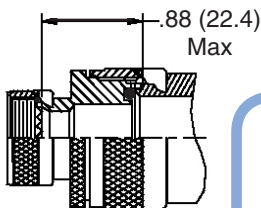
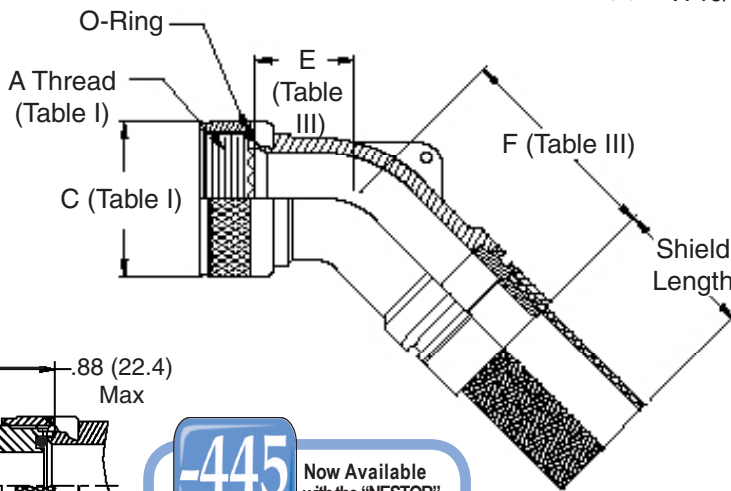
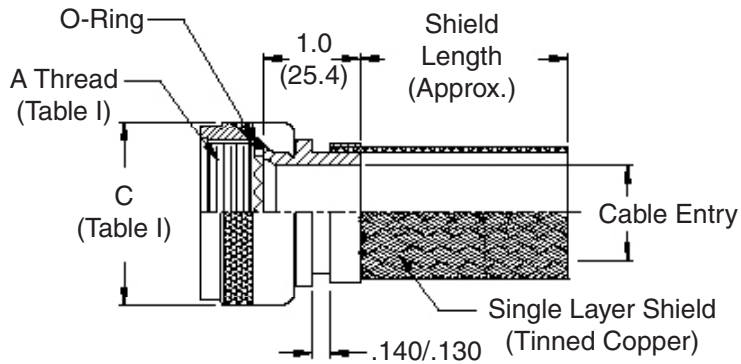
These adapters have a shield sock attached to the rear of the adapter body, the method of shield attachment is usually accomplished by means of crimping although other methods such as Band-it® band, soldering, magna-forming or Tinel® locking system are also all supplied by Glenair. This shield sock is then attached to the overall braid on the cable or harness. This attachment is most generally performed by the use of a MIL-C-85049/93 back-up ring and then banding the over-lapped braids together. Lipped-type heat shrinkable boots are available to enclose and protect the termination.



**CONNECTOR  
 DESIGNATORS**  
**A-F-H-L-S**  
**ROTATABLE  
 COUPLING**

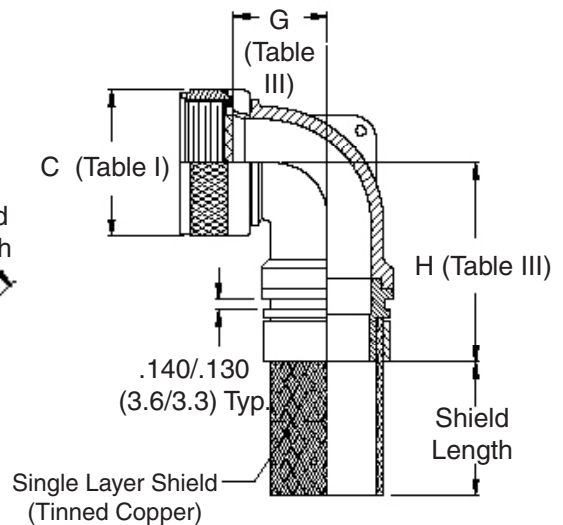


**STYLE 2  
 (STRAIGHT  
 See Note 5)**



**STYLE 2  
 (45° & 90°  
 See Note 5)**

**-445** Now Available with the "NESTOR"  
 Glenair's Non-Detent, Spring-Loaded, Self-Locking Coupling.  
 Add "-445" to Specify This AS85049 Style "N" Coupling Interface.



**319-001**  
**EMI/RFI Shield Sock Shrink Boot Adapter**  
 with Optional Shrink Boot  
 Low Profile - Rotatable Coupling



See inside back cover fold-out or pages 13 and 14 for unabridged Tables I and II.

TABLE III: DIMENSIONS							
Shell Size		E Max	F Max	G Max	H Max	Conn. Desig.	
A-F-L-S	H						
08	09	.457 (11.6)	1.710 (43.4)	.500 (12.7)	1.730 (43.9)		
10	11	.520 (13.2)	1.770 (45.0)	.595 (15.1)	1.850 (47.0)		
12	13	.582 (14.8)	1.830 (46.5)	.610 (15.5)	1.870 (47.5)		
14	15	.645 (16.4)	1.920 (48.8)	.700 (17.8)	1.940 (49.3)		
16	17	.738 (18.7)	2.030 (51.6)	.885 (22.5)	2.030 (51.6)		
18	19	.926 (23.5)	2.220 (56.4)	.975 (24.8)	2.200 (55.9)		
20	21	.926 (23.5)	2.220 (56.4)	.975 (24.8)	2.200 (55.9)		
22	23	1.020 (25.9)	2.370 (60.2)	1.125 (28.6)	2.310 (58.7)		
24	25	1.020 (25.9)	2.370 (60.2)	1.125 (28.6)	2.310 (58.7)		
28		1.145 (29.1)	2.420 (61.5)	1.225 (31.1)	2.480 (63.0)		
32		1.207 (30.7)	2.520 (64.0)	1.575 (40.0)	2.730 (69.3)		
36		1.238 (31.4)	2.610 (66.3)	1.775 (45.1)	2.730 (69.3)		

TABLE IV: CABLE ENTRY/SHRINK BOOT		
Dash No.	Cable Entry	Shrink Boot *
01	.188 (4.8)	N/A
02	.250 (6.4)	N/A
03	.312 (7.9)	770-0015103
04	.375 (9.5)	770-0015103
05	.438 (11.1)	770-0015104
06	.500 (12.7)	770-0015104
07	.562 (14.3)	770-0015104
08	.625 (15.9)	770-0015105
09	.688 (17.5)	770-0015105
10	.750 (19.1)	770-0015105
11	.812 (20.6)	770-0015106
12	.875 (22.2)	770-0015106
13	.938 (23.8)	770-0015106
14	1.000 (25.4)	770-0015107
15	1.250 (31.8)	770-0015108
16	1.500 (38.1)	N/A
17	1.750 (44.5)	N/A
18	2.000 (50.8)	N/A
19	1.125 (28.6)	N/A
20	1.375 (34.9)	N/A
21	1.625 (41.3)	N/A
22	1.062 (27.0)	N/A
23	1.188 (30.2)	
24	1.875 (47.6)	

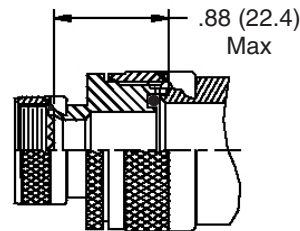
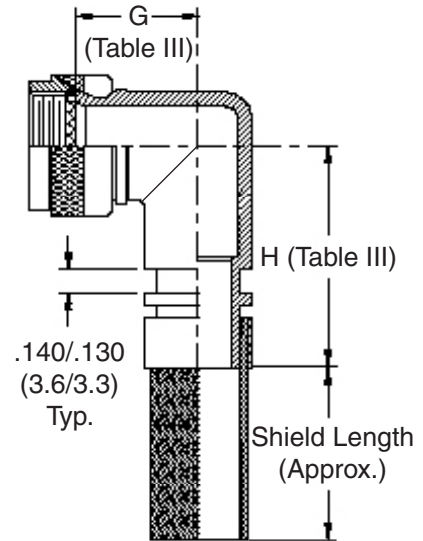
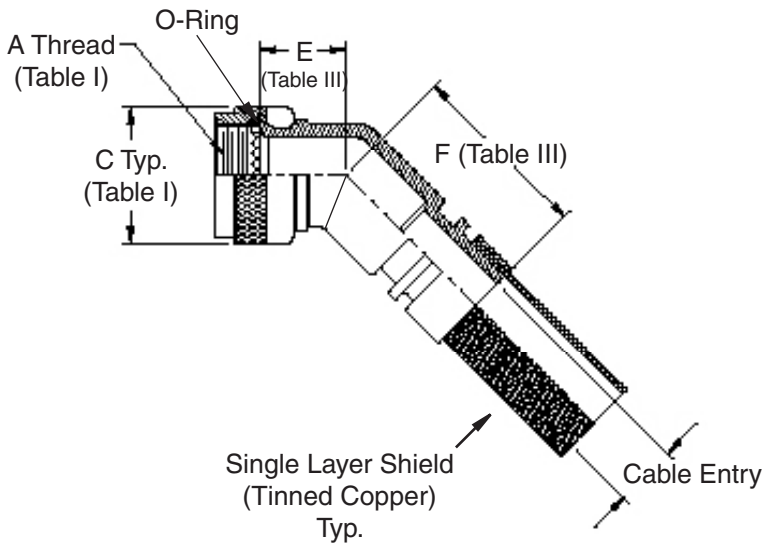
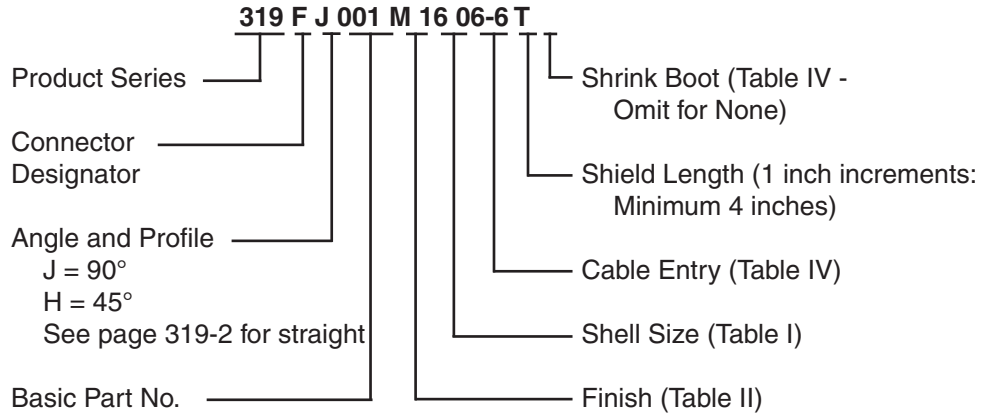
\* Raychem Shrink Boot Supplied with "T" Option (see Part Number Development)

1. Cable Entry or range is defined as the accommodation range for the wire bundle or cable. Dimensions shown are not intended for inspection criteria.
2. See Shrink Boot Reference Information (page 40).
3. Metric dimensions (mm) are indicated in parentheses.
4. O-Ring not supplied with Connector Designator A.
5. When maximum entry (page 21) is exceeded, Style 2 will be supplied. Dimensions E, F, G, & H will not apply. Please consult factory.

TABLE II - STANDARD FINISHES	
GLENAIR SYMBOL	FINISH
B	Cadmium Plate, Olive Drab
M	Electroless Nickel
NF	Cadmium Plate, Olive Drab Over Electroless Nickel

See Back Cover for Complete Finish Information and Additional Finish Options

**CONNECTOR  
 DESIGNATORS**  
**A-F-H-L-S**  
**ROTATABLE  
 COUPLING**



**STYLE 2**  
 (45° & 90°)  
 See Note 5)

**-445**

Now Available with the "NESTOR"

**Glenair's Non-Detent, Spring-Loaded, Self-Locking Coupling.**

**Add "-445" to Specify This AS85049 Style "N" Coupling Interface.**

**319-001**  
**EMI/RFI Shield Sock Shrink Boot Adapter**  
 with Optional Shrink Boot  
 Standard Profile - Rotatable Coupling



See inside back cover fold-out or pages 13 and 14 for unabridged Tables I and II.

**TABLE III: DIMENSIONS**

Shell Size		E Max	F Max	G Max	H Max
Conn. Desig. A-F-L-S	H				
08	09	.830 (21.1)	1.045 (26.5)	.940 (23.9)	1.155 (29.3)
10	11	.860 (21.8)	1.075 (27.3)	1.010 (25.7)	1.225 (31.1)
12	13	.882 (22.4)	1.097 (27.9)	1.070 (27.2)	1.285 (32.6)
14	15	.900 (22.9)	1.125 (28.6)	1.130 (28.7)	1.345 (34.2)
16	17	.930 (23.6)	1.145 (29.1)	1.190 (30.2)	1.405 (35.7)
18	19	.950 (24.1)	1.165 (29.6)	1.240 (31.5)	1.455 (37.0)
20	21	.980 (24.9)	1.195 (30.4)	1.310 (33.3)	1.525 (38.7)
22	23	1.000 (25.4)	1.215 (30.9)	1.360 (34.5)	1.575 (40.0)
24	25	1.030 (26.2)	1.245 (31.6)	1.430 (36.3)	1.645 (41.8)

**TABLE IV: CABLE ENTRY/SHRINK BOOT**

Dash No.	Cable Entry	Shrink Boot *
01	.188 (4.8)	n/a
02	.250 (6.4)	n/a
03	.312 (7.9)	770-0015103
04	.375 (9.5)	770-0015103
05	.438 (11.1)	770-0015104
06	.500 (12.7)	770-0015104
07	.562 (14.3)	770-0015104
08	.625 (15.9)	770-0015105
09	.688 (17.5)	770-0015105
10	.750 (19.1)	770-0015105
11	.812 (20.6)	770-0015106
12	.875 (22.2)	770-0015106
13	.938 (23.8)	770-0015106
14	1.000 (25.4)	770-0015107
15	1.250 (31.8)	770-0015108
16	1.500 (38.1)	n/a
17	1.750 (44.5)	n/a
18	2.000 (50.8)	n/a
19	1.125 (28.6)	n/a
20	1.375 (34.9)	n/a
21	1.625 (41.3)	n/a
22	1.062 (27.0)	n/a
23	1.188 (30.2)	n/a
24	1.875 (47.6)	

\* Raychem Shrink Boot Supplied with "T" Option (see Part Number Development)

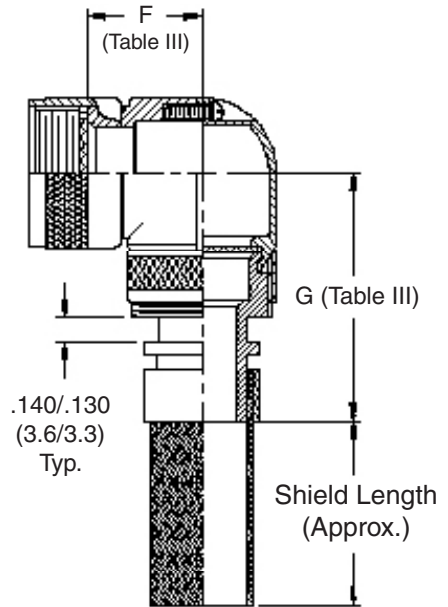
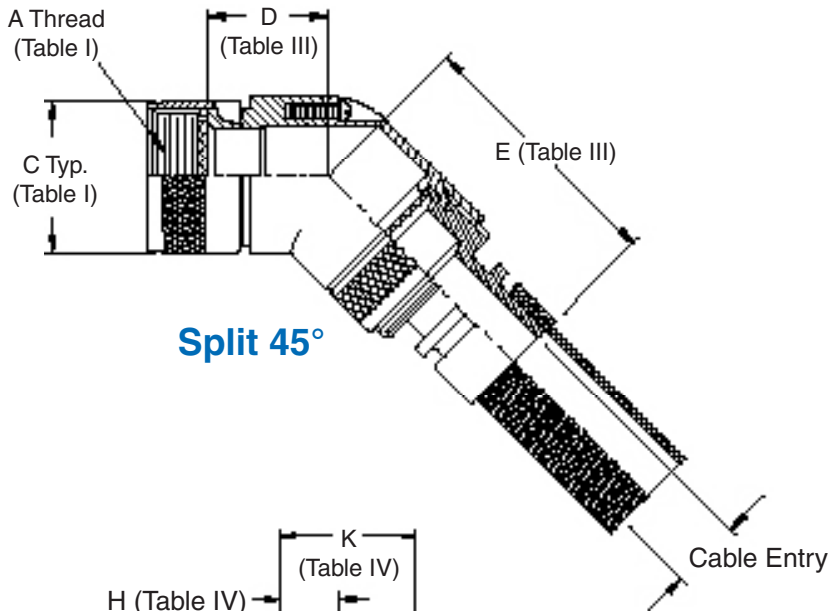
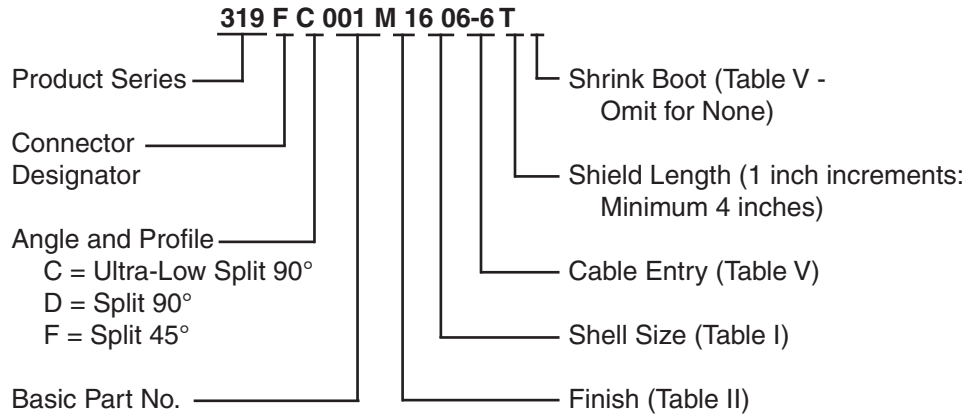
1. Cable Entry is defined as the accommodation range for the wire bundle or cable. Dimensions shown are not intended for inspection criteria.
2. See Shrink Boot Reference Information (page 40).
3. Metric dimensions (mm) are indicated in parentheses.
4. O-Ring not supplied with Connector Designator A.
5. When maximum entry (page 21) is exceeded, Style 2 will be supplied. Dimensions E, F, G, & H will not apply. Please consult factory.

**TABLE II: STANDARD FINISHES**

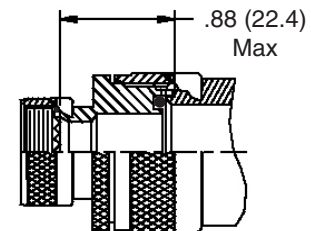
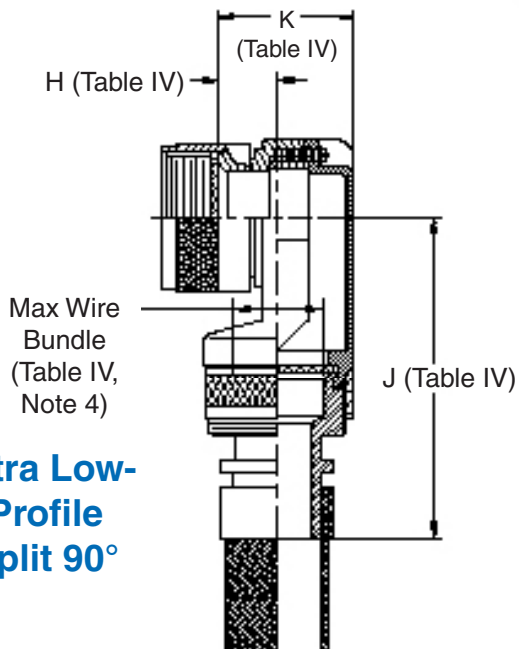
GLENAIR	
SYMBOL	FINISH
B	Cadmium Plate, Olive Drab
M	Electroless Nickel
NF	Cadmium Plate, Olive Drab Over Electroless Nickel

See Back Cover for Complete Finish Information and Additional Finish Options

**CONNECTOR  
 DESIGNATORS**  
**A-F-H-L-S**  
**ROTATABLE  
 COUPLING**



**Split 90°**



**STYLE 2  
 (See Note 4)**



**319-001**  
**EMI/RFI Shield Sock Shrink Boot Adapter**  
 with Optional Shrink Boot  
 Split Shell - Rotatable Coupling



See inside back cover fold-out or pages 13 and 14 for unabridged Tables I and II.

**TABLE III: SPLIT 90° and SPLIT 45°**

SHELL SIZE		D	E	F	G
A-F-L-S	H	Max	Max	Max	Max
08	09	.440 (11.2)	1.500 (38.1)	.680 (17.3)	1.440 (36.6)
10	11	.500 (12.7)	1.560 (39.6)	.750 (19.1)	1.500 (38.1)
12	13	.560 (14.2)	1.630 (41.4)	.810 (20.6)	1.570 (39.9)
14	15	.620 (15.7)	1.660 (42.2)	.870 (22.1)	1.600 (40.6)
16	17	.680 (17.3)	1.760 (44.7)	.930 (23.6)	1.700 (43.2)
18	19	.750 (19.1)	1.820 (46.2)	1.000 (25.4)	1.760 (44.7)
20	21	.820 (20.8)	1.880 (47.8)	1.060 (26.9)	1.820 (46.2)
22	23	.880 (22.4)	1.940 (49.3)	1.120 (28.4)	1.880 (47.8)
24	25	.940 (23.9)	2.000 (50.8)	1.180 (30.3)	1.940 (49.3)

**TABLE IV: ULTRA LOW-PROFILE SPLIT 90°**

SHELL SIZE		H	J	K	Max Wire Bundle
A-F-L-S	H	Ref.	Max	Max	
08	09	.340 (8.6)	1.780 (45.2)	.681 (17.3)	.250 (6.4)
10	11	.270 (6.9)	1.940 (49.3)	.731 (18.6)	.375 (9.5)
12	13	.270 (6.9)	1.940 (49.3)	.731 (18.6)	.375 (9.5)
14	15	.280 (7.1)	2.010 (51.1)	.831 (21.1)	.500 (12.7)
16	17	.420 (10.7)	2.060 (52.3)	.981 (24.9)	.625 (15.9)
18	19	.640 (16.3)	2.090 (53.1)	1.181 (30.0)	.625 (15.9)
20	21	.640 (16.3)	2.090 (53.1)	1.181 (30.0)	.625 (15.9)
22	23	.540 (13.7)	2.240 (56.9)	1.181 (30.0)	.750 (19.1)
24	25	.540 (13.7)	2.240 (56.9)	1.181 (30.0)	.750 (19.1)

1. Cable Entry is defined as the accommodation range for the wire bundle or cable. Dimensions shown are not intended for inspection criteria.
2. See Shrink Boot Reference Information Sheet (page 40).
3. Metric dimensions (mm) are indicated in parentheses.
4. When maximum entry (page 21) is exceeded, Style 2 will be supplied (not available for Function C). Dimensions D, E, F, & G will not apply. Please consult factory.
5. Angular function "C", low-profile split elbow, not available with "S" connector designator.

**TABLE II: STANDARD FINISHES**

GLENAIR SYMBOL		FINISH
B		Cadmium Plate, Olive Drab
M		Electroless Nickel
NF		Cadmium Plate, Olive Drab Over Electroless Nickel

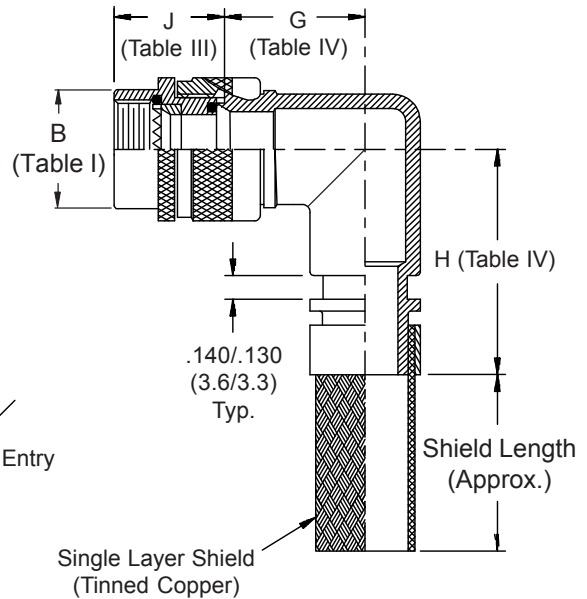
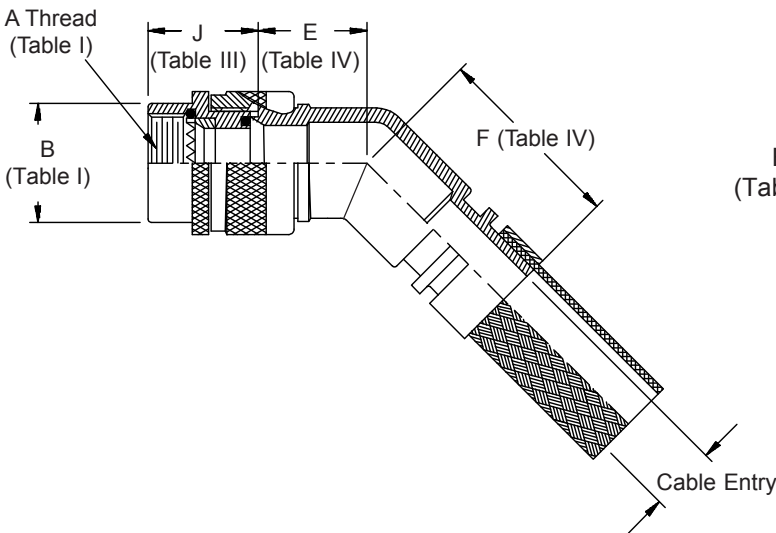
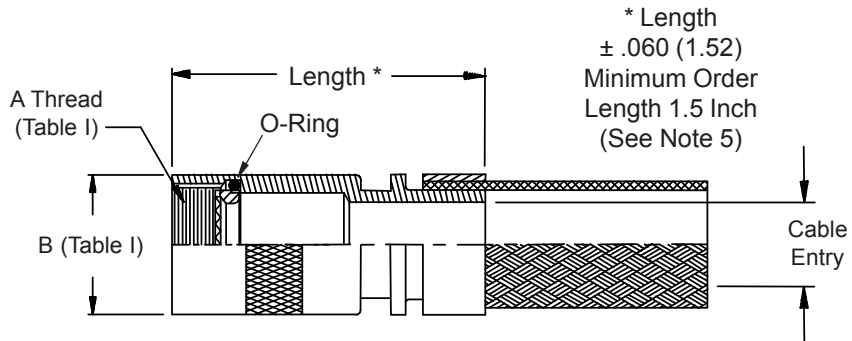
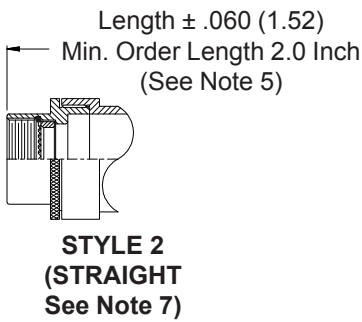
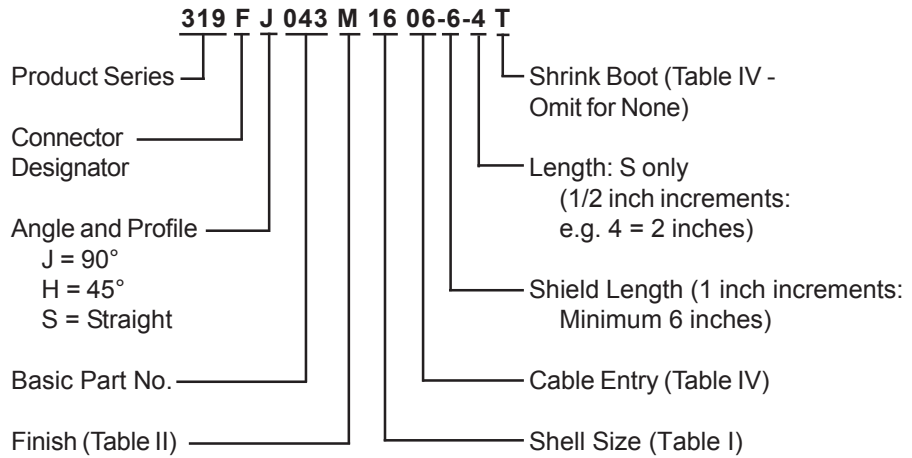
See Back Cover for Complete Finish Information and Additional Finish Options

**TABLE V: CABLE ENTRY/BOOT**

Dash No.	Cable Entry	Shrink Boot *
01	.188 (4.8)	N/A
02	.250 (6.4)	N/A
03	.312 (7.9)	770-0015103
04	.375 (9.5)	770-0015103
05	.438 (11.1)	770-0015103
06	.500 (12.7)	770-0015104
07	.562 (14.3)	770-0015104
08	.625 (15.9)	770-0015104
09	.688 (17.5)	770-0015105
10	.750 (19.1)	770-0015105
11	.812 (20.6)	770-0015105
12	.875 (22.2)	770-0015106
13	.938 (23.8)	770-0015106
14	1.000 (25.4)	770-0015106

\* Raychem Shrink Boot Supplied with "T" Option (see Part Number Development)

**CONNECTOR DESIGNATORS**  
**A-B\*-C-D-E-F**  
**G-H-J-K-L-S**  
 \* Conn. Desig. B See Note 6  
**DIRECT COUPLING**



**319-043**  
**EMI/RFI Shield Sock Shrink Boot Adapter**  
 with Optional Shrink Boot  
 Standard Profile - Direct Coupling



See inside back cover fold-out or pages 13 and 14 for unabridged Tables I and II.

TABLE III: FRONT ADAPTER			
Shell Size	J Max - Conn. Designator		
	A-E-F		
	J-H-L-S	D-B-G-K	C
08/09	1.180 (30.0)	1.250 (31.8)	
10/11	1.180 (30.0)	1.250 (31.8)	
12/13	1.180 (30.0)	1.250 (31.8)	1.735 (44.1)
14/15	1.180 (30.0)	1.250 (31.8)	1.915 (48.6)
16/17	1.380 (35.0)	1.560 (39.6)	1.915 (48.6)
18/19	1.380 (35.0)	1.560 (39.6)	1.915 (48.6)
20/21	1.380 (35.0)	1.560 (39.6)	1.915 (48.6)
22/23	1.380 (35.0)	1.560 (39.6)	1.915 (48.6)
24/25	1.380 (35.0)	1.560 (39.6)	1.915 (48.6)
28/29	1.610 (40.9)	1.560 (39.6)	1.915 (48.6)
32/33	1.610 (40.9)	1.750 (44.5)	1.915 (48.6)
36	1.610 (40.9)	1.750 (44.5)	1.915 (48.6)
40	1.610 (40.9)	2.190 (55.6)	1.915 (48.6)

TABLE V: CABLE ENTRY SHRINK BOOT			
Dash No.	Cable Entry	Shrink Boot	
01	.188 (4.8)	n/a	
02	.250 (6.4)	n/a	
03	.312 (7.9)	770-001S103	
04	.375 (9.5)	770-001S103	
05	.438 (11.1)	770-001S103	
06	.500 (12.7)	770-001S104	
07	.562 (14.3)	770-001S104	
08	.625 (15.9)	770-001S104	
09	.688 (17.5)	770-001S105	
10	.750 (19.1)	770-001S105	
11	.812 (20.6)	770-001S105	
12	.875 (22.2)	770-001S106	
13	.938 (23.8)	770-001S106	
14	1.000 (25.4)	770-001S106	
15	1.250 (31.8)	770-001S107	
16	1.500 (38.1)	770-001S108	
17	1.750 (44.5)	n/a	
18	2.000 (50.8)	n/a	
19	1.125 (28.6)	n/a	
20	1.375 (34.9)	n/a	
21	1.625 (41.3)	n/a	
22	1.062 (27.0)	n/a	
23	1.188 (30.2)	n/a	
24	1.875 (47.6)	n/a	

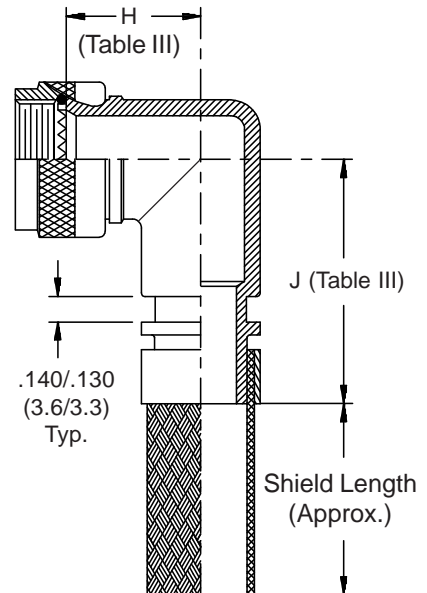
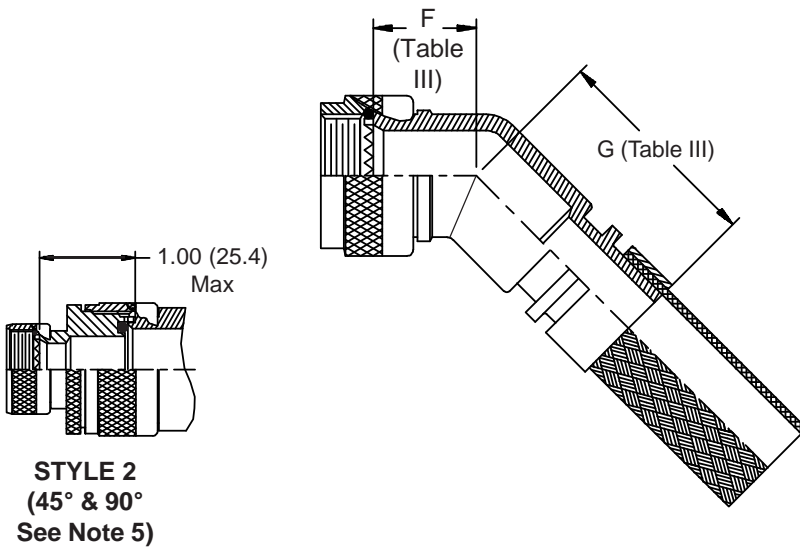
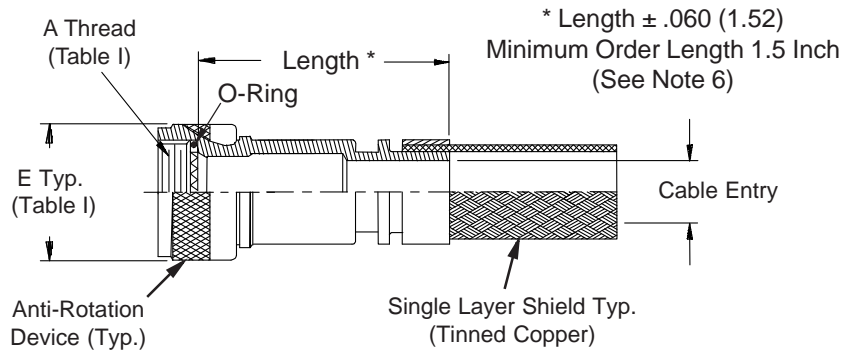
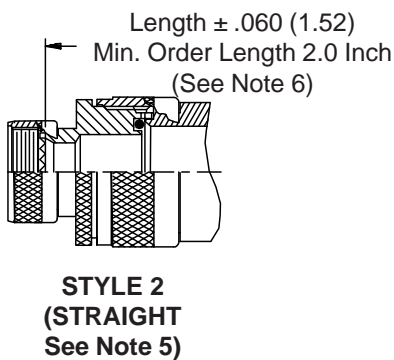
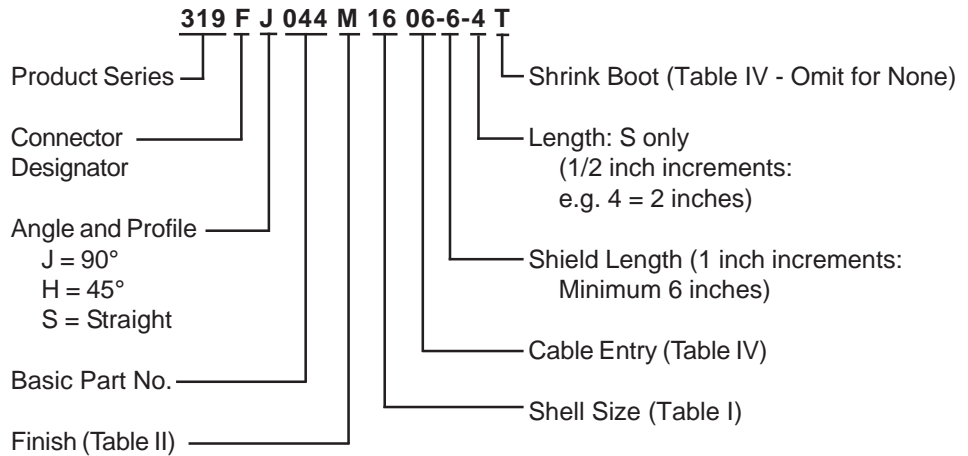
TABLE IV: DIMENSIONS					
Dash No.	E Max	F Max	G Max	H Max	
01	.639 (16.2)	.952 (24.2)	.750 (19.1)	1.062 (27.0)	
02	.664 (16.9)	.982 (24.9)	.810 (20.6)	1.122 (28.5)	
03	.688 (17.5)	1.002 (25.5)	.870 (22.1)	1.182 (30.0)	
04	.688 (17.5)	1.002 (25.5)	.870 (22.1)	1.182 (30.0)	
05	.705 (17.9)	1.032 (26.2)	.920 (23.4)	1.252 (31.8)	
06	.705 (17.9)	1.032 (26.2)	.920 (23.4)	1.252 (31.8)	
07	.732 (18.6)	1.052 (26.7)	.980 (24.9)	1.312 (33.3)	
08	.732 (18.6)	1.052 (26.7)	.980 (24.9)	1.312 (33.3)	
09	.748 (19.0)	1.062 (27.0)	1.020 (25.9)	1.332 (33.8)	
10	.773 (19.6)	1.082 (27.5)	1.080 (27.4)	1.392 (35.4)	
11	.773 (19.6)	1.082 (27.5)	1.080 (27.4)	1.392 (35.4)	
12	.800 (20.3)	1.122 (28.5)	1.140 (29.0)	1.472 (37.4)	
13	.800 (20.3)	1.122 (28.5)	1.140 (29.0)	1.472 (37.4)	
14	.823 (20.9)	1.152 (29.3)	1.200 (30.5)	1.542 (39.2)	
15	1.041 (26.4)	1.322 (33.6)	1.480 (37.6)	1.782 (45.3)	
16	1.092 (27.7)	1.362 (34.6)	1.610 (40.9)	1.872 (47.5)	
17	1.138 (28.9)	1.412 (35.9)	1.720 (43.7)	1.982 (50.3)	
18	1.184 (30.1)	1.452 (36.9)	1.830 (46.5)	2.092 (53.1)	
19	.823 (20.9)	1.152 (29.3)	1.200 (30.5)	1.542 (39.2)	
20	1.041 (26.4)	1.322 (33.6)	1.480 (37.6)	1.780 (45.2)	
21	1.092 (27.7)	1.362 (34.6)	1.610 (40.9)	1.872 (47.5)	

TABLE II: STANDARD FINISHES	
GLENAIR SYMBOL	FINISH
B	Cadmium Plate, Olive Drab
M	Electroless Nickel
NF	Cadmium Plate, Olive Drab Over Electroless Nickel

See Back Cover for Complete Finish Information and Additional Finish Options

- Cable Entry or range is defined as the accomodation range for the wire bundle or cable. Dimensions shown are not intended for inspection criteria.
- See Shrink Boot Reference Information (page 40).
- Metric dimensions (mm) are indicated in parentheses.
- O-Ring not supplied with Connector Designator A.
- Consult factory for shorter lengths on straight backshells.
- When using Connector Designator B refer to pages 18 and 19 for part number development.
- When maximum cable entry (page 22) is exceeded, Style 2 will be supplied. (Function S only.)

**CONNECTOR  
 DESIGNATORS  
 A-F-H-L-S  
 SELF-LOCKING  
 ROTATABLE  
 COUPLING**



**319-044**  
**EMI/RFI Shield Sock Shrink Boot Adapter**  
**with Optional Shrink Boot**  
**Standard Profile - Self Locking - Rotatable Coupling**



See inside back cover fold-out or  
 pages 13 and 14 for unabridged Tables I and II.

**TABLE III: DIMENSIONS**

Shell Size		F	G	H	J
Conn. Desig.	H	Max	Max	Max	Max
A-F-L-S					
08	09	.986 (25.0)	1.045 (26.5)	1.096 (27.8)	1.155 (29.3)
10	11	1.016 (25.8)	1.075 (27.3)	1.166 (29.6)	1.225 (31.1)
12	13	1.038 (26.4)	1.097 (27.9)	1.226 (31.1)	1.285 (32.6)
14	15	1.056 (26.8)	1.125 (28.6)	1.286 (32.7)	1.345 (34.2)
16	17	1.066 (27.1)	1.145 (29.1)	1.346 (34.2)	1.405 (35.7)
18	19	1.106 (28.1)	1.165 (29.6)	1.396 (35.5)	1.455 (37.0)
20	21	1.136 (28.9)	1.195 (30.4)	1.466 (37.2)	1.525 (38.7)
22	23	1.156 (29.4)	1.215 (30.9)	1.516 (38.5)	1.575 (40.0)
24	25	1.186 (30.1)	1.245 (31.6)	1.586 (40.3)	1.645 (41.8)

**TABLE II: STANDARD FINISHES**

GLENAIR	
SYMBOL	FINISH
B	Cadmium Plate, Olive Drab
M	Electroless Nickel
NF	Cadmium Plate, Olive Drab Over Electroless Nickel

See Back Cover for Complete Finish Information and Additional Finish Options

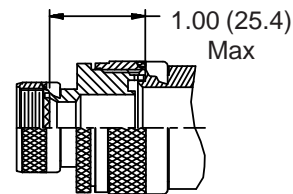
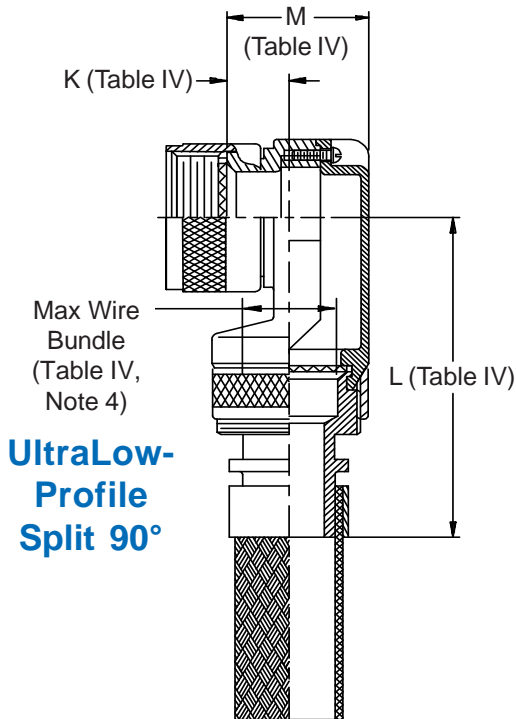
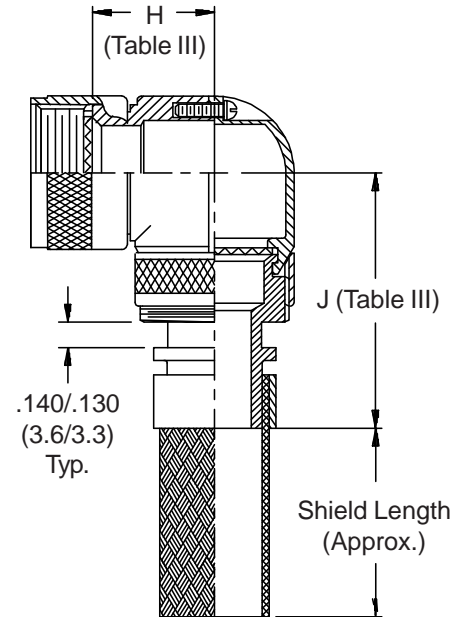
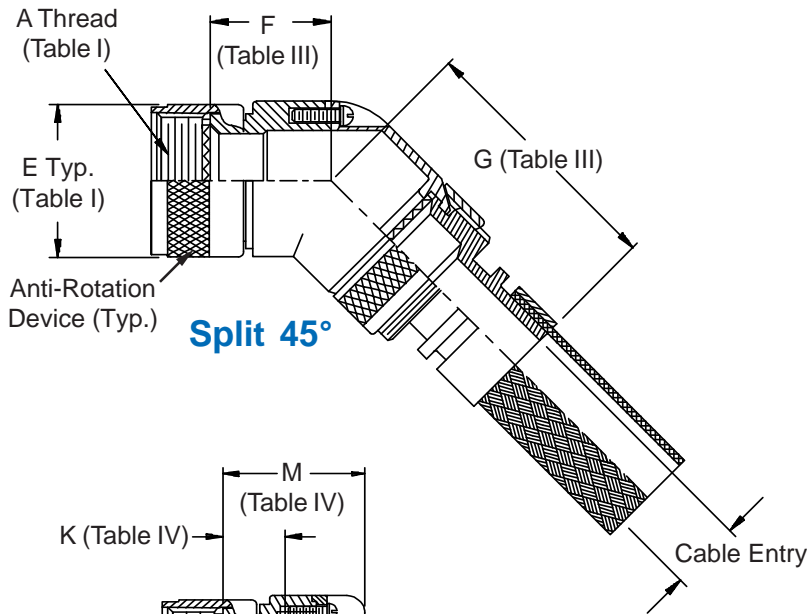
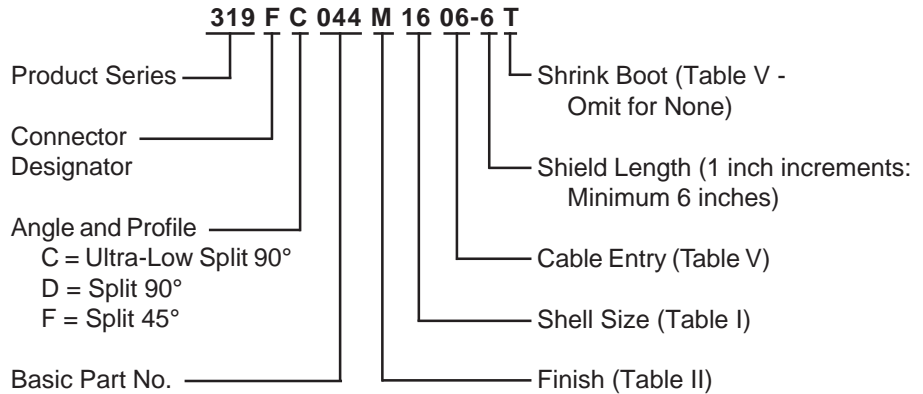
1. Cable Entry is defined as the accommodation range for the wire bundle or cable. Dimensions shown are not intended for inspection criteria.
2. See Shrink Boot Reference Information (page 40).
3. Metric dimensions (mm) are indicated in parentheses.
4. O-Ring not supplied with Connector Designator A.
5. When maximum entry (page 21) is exceeded, Style 2 will be supplied. Dimensions F, G, H & J will not apply. Please consult factory.
6. Consult factory for shorter lengths on straight backshells.

**TABLE IV: CABLE ENTRY/SHRINK BOOT**

Dash No.	Cable Entry	Shrink Boot
01	.188 (4.8)	n/a
02	.250 (6.4)	n/a
03	.312 (7.9)	770-001S103
04	.375 (9.5)	770-001S103
05	.438 (11.1)	770-001S103
06	.500 (12.7)	770-001S104
07	.562 (14.3)	770-001S104
08	.625 (15.9)	770-001S104
09	.688 (17.5)	770-001S105
10	.750 (19.1)	770-001S105
11	.812 (20.6)	770-001S105
12	.875 (22.2)	770-001S106
13	.938 (23.8)	770-001S106
14	1.000 (25.4)	770-001S106
15	1.250 (31.8)	770-001S107
16	1.500 (38.1)	770-001S107
17	1.750 (44.5)	n/a
18	2.000 (50.8)	n/a
19	1.125 (28.6)	n/a
20	1.375 (34.9)	n/a
21	1.625 (41.3)	n/a
22	1.062 (27.0)	n/a
23	1.188 (30.2)	n/a
24	1.875 (47.6)	n/a



**CONNECTOR  
 DESIGNATORS  
 A-F-H-L-S  
 SELF-LOCKING  
 ROTATABLE  
 COUPLING**



**STYLE 2**  
 (See Note 4)

**319-044**  
**Non-Environmental EMI/RFI Shield Sock Adapter**  
 with Optional Shrink Boot  
 Standard Profile - Self Locking - Split Shell



See inside back cover fold-out or pages 13 and 14 for unabridged Tables I and II.

TABLE III: SPLIT 90° and SPLIT 45°					
SHELL SIZE		F	G	H	J
A-F-L-S	H	Max	Max	Max	Max
08	09	.596 (15.1)	1.500 (38.1)	.836 (21.2)	1.440 (36.6)
10	11	.656 (16.7)	1.560 (39.6)	.906 (23.0)	1.500 (38.1)
12	13	.716 (18.2)	1.630 (41.4)	.966 (24.5)	1.570 (39.9)
14	15	.776 (19.7)	1.660 (42.2)	1.026 (26.1)	1.600 (40.6)
16	17	.836 (21.2)	1.760 (44.7)	1.086 (27.6)	1.700 (43.2)
18	19	.906 (23.0)	1.820 (46.2)	1.156 (29.4)	1.760 (44.7)
20	21	.976 (24.8)	1.880 (47.8)	1.216 (30.9)	1.820 (46.2)
22	23	1.036 (26.3)	1.940 (49.3)	1.276 (32.4)	1.880 (47.8)
24	25	1.096 (27.8)	2.000 (50.8)	1.336 (33.9)	1.940 (49.3)

TABLE IV: ULTRA LOW-PROFILE SPLIT 90°						
SHELL SIZE		K	L	M	Max Wire Bundle	
A-F-L-S	H	Ref.	Max	Max		
08	09	.496 (12.6)	1.780 (45.2)	.837 (21.3)	.250	(6.4)
10	11	.426 (10.8)	1.940 (49.3)	.887 (22.5)	.375	(9.5)
12	13	.426 (10.8)	1.940 (49.3)	.887 (22.5)	.375	(9.5)
14	15	.436 (11.1)	2.010 (51.1)	.987 (25.1)	.500	(12.7)
16	17	.576 (14.6)	2.060 (52.3)	1.137 (28.9)	.625	(15.9)
18	19	.796 (20.2)	2.090 (53.1)	1.337 (34.0)	.625	(15.9)
20	21	.796 (20.2)	2.090 (53.1)	1.337 (34.0)	.625	(15.9)
22	23	.696 (17.7)	2.240 (56.9)	1.337 (34.0)	.750	(19.1)
24	25	.696 (17.7)	2.240 (56.9)	1.337 (34.0)	.750	(19.1)

TABLE V: CABLE ENTRY/BOOT		
Dash No.	Cable Entry	Shrink Boot
01	.188 (4.8)	N/A
02	.250 (6.4)	N/A
03	.312 (7.9)	770-001S103
04	.375 (9.5)	770-001S103
05	.438 (11.1)	770-001S103
06	.500 (12.7)	770-001S104
07	.562 (14.3)	770-001S104
08	.625 (15.9)	770-001S104
09	.688 (17.5)	770-001S105
10	.750 (19.1)	770-001S105
11	.812 (20.6)	770-001S105
12	.875 (22.2)	770-001S106
13	.938 (23.8)	770-001S106
14	1.000 (25.4)	770-001S106

TABLE II: STANDARD FINISHES	
GLENAIR SYMBOL	FINISH
B	Cadmium Plate, Olive Drab
M	Electroless Nickel
NF	Cadmium Plate, Olive Drab Over Electroless Nickel

See Back Cover for Complete Finish Information and Additional Finish Options

1. Cable Entry is defined as the accommodation range for the wire bundle or cable. Dimensions shown are not intended for inspection criteria.
2. See Shrink Boot Reference Information (see page 40).
3. Metric dimensions (mm) are indicated in parentheses.
4. When maximum entry (page 21) is exceeded, Style 2 will be supplied (not available in Function C). Dimensions F, G, H & J will not apply. Please consult factory.
5. Angular function "C", low-profile split elbow, not available with "S" connector designator.

# Still juggling an army of interconnect suppliers?



## At Glenair we offer One-Stop-Shopping

**T**ired of managing dozens of specialty suppliers with only limited ability to keep pace with your evolving interconnect requirements? Glenair is committed to providing complete, system-level solutions to even your most challenging interconnect requirements. Our expertise extends well beyond discrete backshells and connec-

tors to encompass the entire range of interconnect components and assembled systems. From conduit systems to overmolded cable assemblies, Glenair is ready with a truly broad mix of interconnect products and assembly services. And best of all, many Glenair products are in stock, ready for immediate same-day shipment.



Commercial and Mil Spec connector accessories



Convuluted tubing and metal-core conduit



Electrical and fiber optic cable assemblies



Composite thermoplastic components



Microminiature connectors and accessories



Backshell assembly and termination tools



1211 Air Way

Glendale, California 91201-2497

Telephone: 818-247-6000 · Facsimilie: 818-500-9912 · EMail: sales@glenair.com

United States · United Kingdom · Germany · Nordic · France · Italy · Spain

[www.glenair.com](http://www.glenair.com)



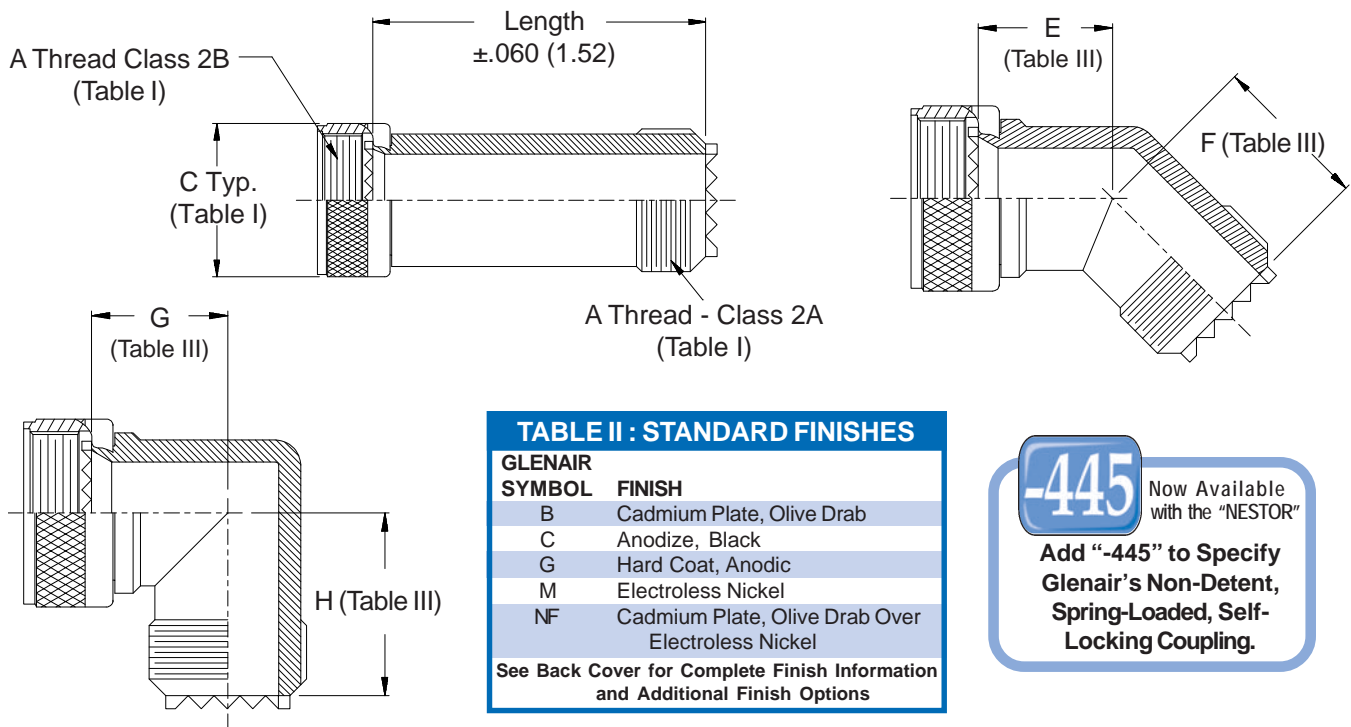
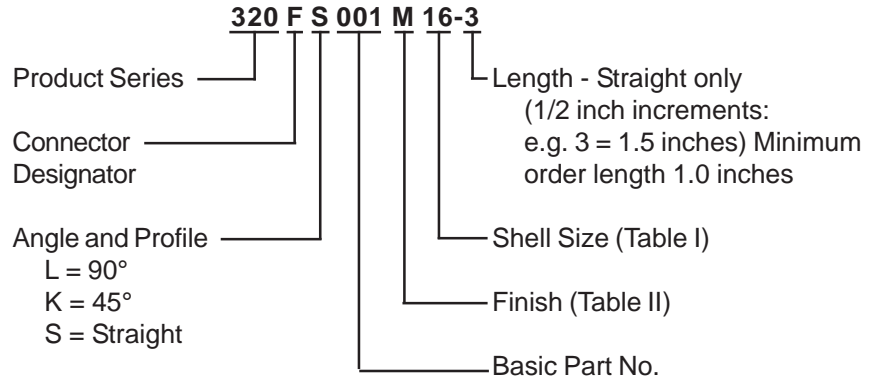
## PRODUCT FEATURES

- Available for All Common Connector Series
- Rotatable and Direct Coupling Styles
- Standard Profile Designs
- Straight, 45° and 90° Configurations
- Unlimited Lengths in 1/2" Increments

Improve initial termination and facilitate repair with simple extender backshells

***Extender backshells aid in the termination of crimp-and-poke contacts by providing extra working room for wire service-loops***

These simple Glenair backshells provide extensions between the connector and strain relief, offering the convenience of additional space to accommodate service loops, reterminations, diodes, resistors and other uses.

**CONNECTOR  
DESIGNATORS  
A-D-F-H-L-S  
ROTATABLE  
COUPLING**

**TABLE II : STANDARD FINISHES**

GLENAIR	
SYMBOL	FINISH
B	Cadmium Plate, Olive Drab
C	Anodize, Black
G	Hard Coat, Anodic
M	Electroless Nickel
NF	Cadmium Plate, Olive Drab Over Electroless Nickel

See Back Cover for Complete Finish Information and Additional Finish Options

**-445**

Now Available with the "NESTOR"

Add "-445" to Specify  
 Glenair's Non-Detent,  
 Spring-Loaded, Self-  
 Locking Coupling.

**TABLE III: DIMENSIONS**

Shell Size Conn. Desig.		G Max	F Max	E Max	H Max
A-F-L-S	H				
08	09	.940 (23.9)	.890 (22.6)	.830 (21.1)	1.000 (25.4)
10	11	1.010 (25.7)	.920 (23.4)	.860 (21.8)	1.070 (27.2)
12	13	1.070 (27.2)	.942 (23.9)	.882 (22.4)	1.130 (28.7)
14	15	1.130 (28.7)	.970 (24.6)	.900 (22.9)	1.190 (30.2)
16	17	1.190 (30.2)	.990 (25.1)	.930 (23.6)	1.250 (31.8)
18	19	1.240 (31.5)	1.010 (25.7)	.950 (24.1)	1.300 (33.0)
20	21	1.310 (33.3)	1.040 (26.4)	.980 (24.9)	1.370 (34.8)
22	23	1.360 (34.5)	1.060 (26.9)	1.000 (25.4)	1.420 (36.1)
24	25	1.540 (39.1)	1.090 (27.7)	1.030 (26.2)	1.490 (37.8)

See inside back cover fold-out or pages 13 and 14 for unabridged Tables I and II.

Metric dimensions (mm) are indicated in parentheses.

**320-002**  
**Extender Backshell**  
 Standard Profile - Direct Coupling - Straight Only



**CONNECTOR  
 DESIGNATORS**  
**A-B\*-C-D-E-F**  
**G-H-J-K-L-S**

\* Conn. Desig. B See Note 2

**DIRECT  
 COUPLING**

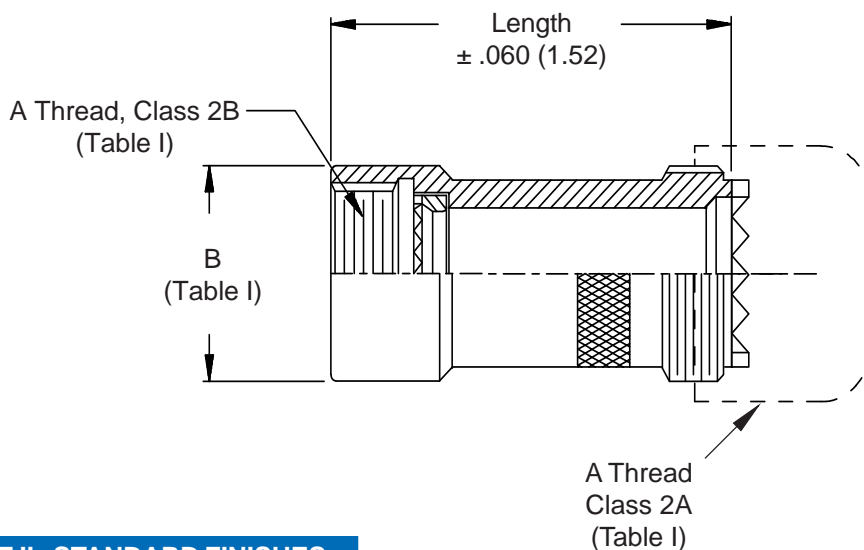
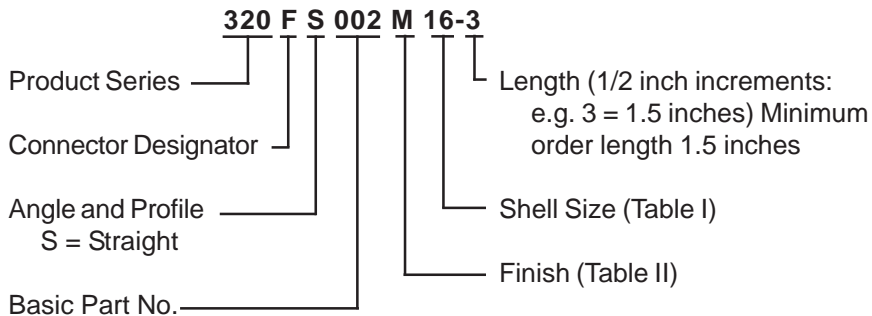


TABLE II : STANDARD FINISHES	
GLENAIR SYMBOL	FINISH
B	Cadmium Plate, Olive Drab
C	Anodize, Black
G	Hard Coat, Anodic
M	Electroless Nickel
NF	Cadmium Plate, Olive Drab Over Electroless Nickel

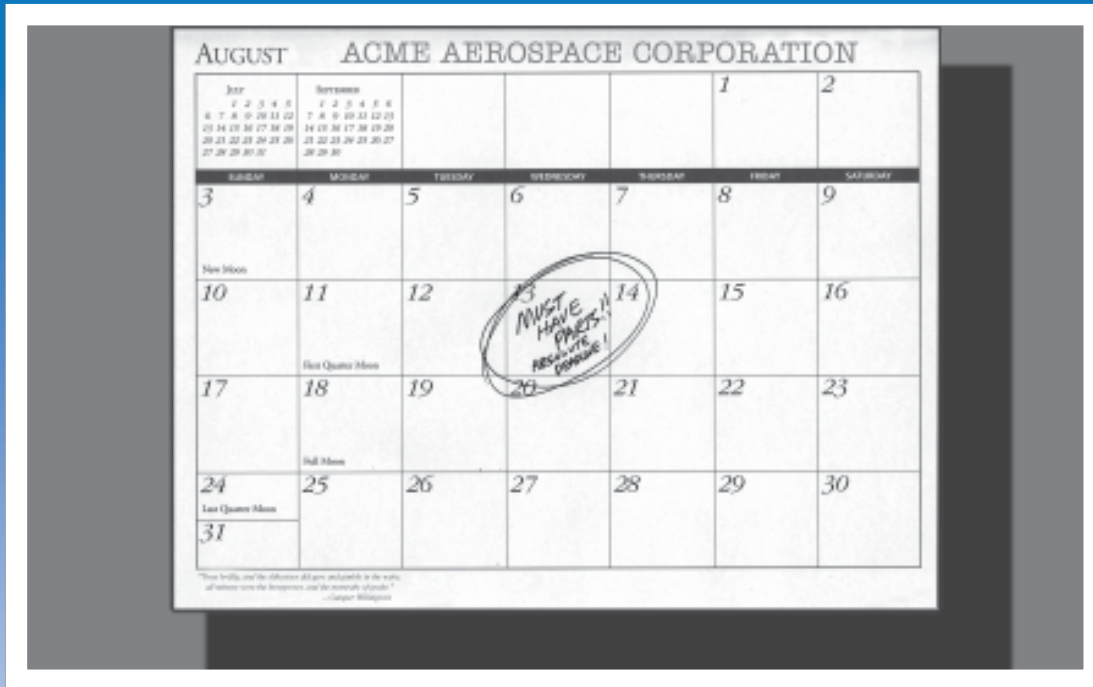
See Back Cover for Complete Finish Information and Additional Finish Options

See inside back cover fold-out or pages 13 and 14 for unabridged Tables I and II.

1. Metric dimensions (mm) are indicated in parentheses.
2. When using Connector Designator B refer to pages 18 and 19 for part number development.



If "on time" is a promise  
you hope your vendors will keep...



...your best hope is to  
place your orders with Glenair.

Most interconnect accessory suppliers quote several months or more to make a backshell. At Glenair, we not only quote the shortest lead times in our industry—generally 2-3 weeks—we also do the best job by far of getting the work out when we say we will. While it's true we can't

promise we'll always make our dates, we're confident we'll be way ahead of whoever's in second place when it comes to on-time delivery. And for those jobs which can't wait even 2-3 weeks, we offer over 40,000 part numbers in stock and ready for same-day shipment.



Commercial and Mil Spec connector accessories



Convolved tubing and metal-core conduit



Electrical and fiber optic cable assemblies



Composite thermoplastic components



Microminiature connectors and accessories



Backshell assembly and termination tools



1211 Air Way

Glendale, California 91201-2497

Telephone: 818-247-6000 · Facsimilie: 818-500-9912 · EMail: sales@glenair.com

United States · United Kingdom · Germany · France · Nordic · Italy · Spain

www.glenair.com



## PRODUCT FEATURES

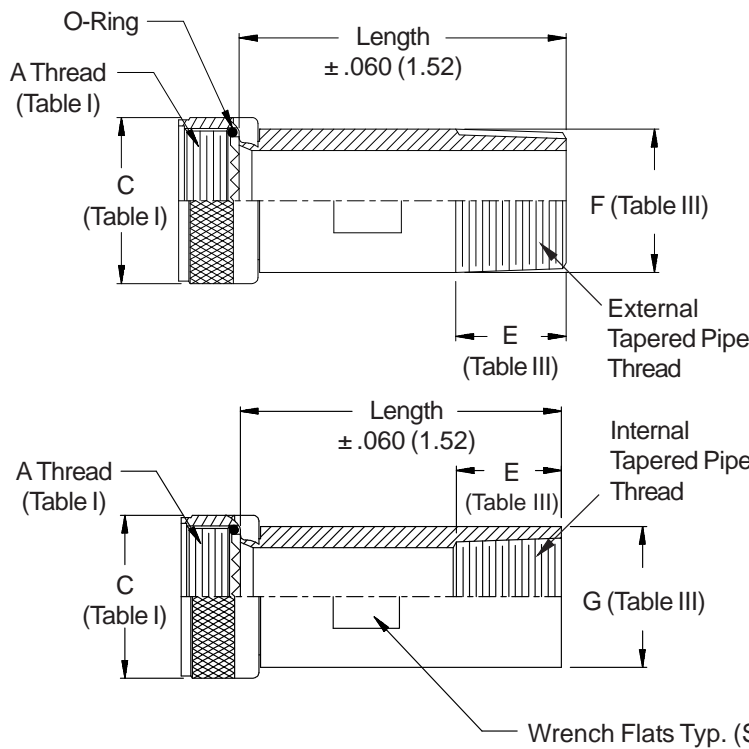
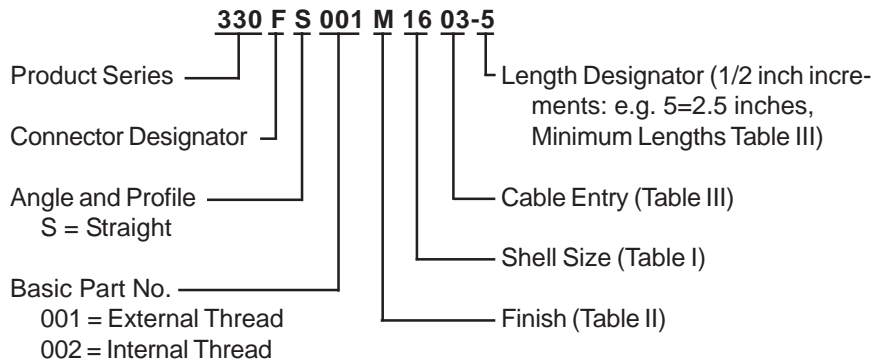
- Internal and External Thread Styles
- Provides Interconnection of NPT Fittings to All Common Circular Connectors
- Straight Configurations Only

Easy integration of NPT conduits in safety-critical interconnect systems

### *Qualified National Pipe Thread interface dimensions*

Glenair Series 33 Pipe Thread Adapters accommodate tapered National Pipe Threads which are usually associated with various forms of conduit or hose end-fittings. The Series 33 adapters are available in compatible material finishes to eliminate dissimilar metal corrosion between NPT conduit and connector hardware.

**CONNECTOR**  
**DESIGNATORS**  
**A-F-H-L-S**  
**ROTATABLE**  
**COUPLING**



**TABLE II: STANDARD FINISHES**

GLENAIR SYMBOL	FINISH
B	Cadmium Plate, Olive Drab
C	Anodize, Black
G	Hard Coat, Anodic
M	Electroless Nickel
NF	Cadmium Plate, Olive Drab Over Electroless Nickel

See Back Cover for Complete Finish Information and Additional Finish Options

See inside back cover fold-out or pages 13 and 14 for unabridged Tables I and II.

**-445** Now Available with the "NESTOR"

Add "-445" to Specify Glenair's Non-Detent, Spring-Loaded, Self-Locking Coupling. See Page 41 for Details.

**TABLE III: CABLE ENTRY**

Dash No.	Pipe Thread	E	F Dia	G Dia	Length	
					Min	Desig.
01	1/8	.391 (9.9)	.405 (10.3)	.500 (12.7)	1.5 (38.1)	3
02	1/4	.593 (15.1)	.540 (13.7)	.625 (15.9)	1.5 (38.1)	3
03	3/8	.593 (15.1)	.675 (17.1)	.875 (22.2)	1.5 (38.1)	3
04	1/2	.781 (19.8)	.840 (21.3)	1.000 (25.4)	2.0 (50.8)	4
05	3/4	.812 (20.6)	1.050 (26.7)	1.250 (31.8)	2.0 (50.8)	4
06	1	1.000 (25.4)	1.315 (33.4)	1.500 (38.1)	2.0 (50.8)	4
07	1 1/4	1.031 (26.2)	1.660 (42.2)	1.750 (44.5)	2.5 (63.5)	5
08	1 1/2	1.031 (26.2)	1.900 (48.3)	2.125 (54.0)	2.5 (63.5)	5
09	2	1.062 (27.0)	2.375 (60.3)	2.500 (63.5)	2.5 (63.5)	5
10	2 1/2	1.453 (36.9)	2.875 (73.0)	3.250 (82.6)	2.5 (63.5)	5

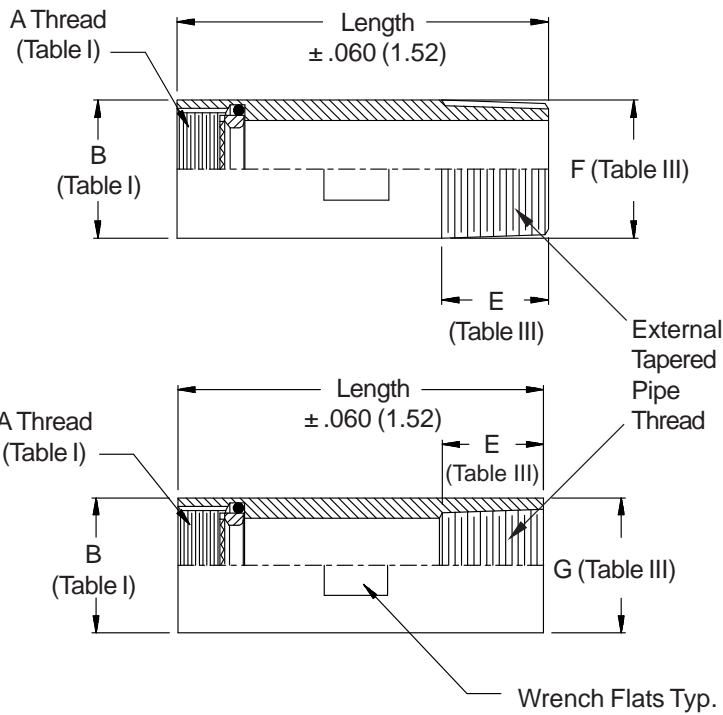
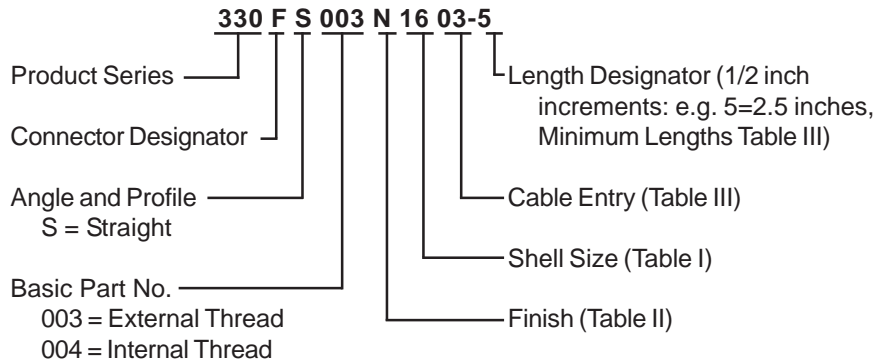
1. Pipe threads per American standard taper pipe thread.
2. Metric dimensions (mm) are indicated in parentheses.
3. O-Ring not supplied with Connector Designator A.

# 330-003 and 330-004 Pipe Thread Adapter Direct Coupling



## CONNECTOR DESIGNATORS A-B\*-C-D-E-F G-H-J-K-L-S

\* Conn. Desig. B See Note 3  
**DIRECT  
COUPLING**



**TABLE II: STANDARD FINISHES**

GLENAIR SYMBOL	FINISH
B	Cadmium Plate, Olive Drab
C	Anodize, Black
G	Hard Coat, Anodic
M	Electroless Nickel
NF	Cadmium Plate, Olive Drab Over Electroless Nickel

See Back Cover for Complete Finish Information and Additional Finish Options

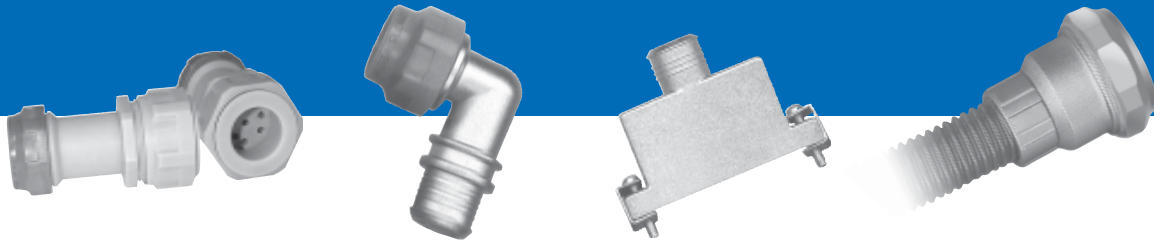
See inside back cover fold-out or pages 13 and 14 for unbridged Tables I and II.

**TABLE III: CABLE ENTRY**

Dash No.	Pipe Thread	E	F Dia	G Dia	Length	
					Min	Desig.
01	1/8	.391 (9.9)	.405 (10.3)	.500 (12.7)	2.0 (50.8)	4
02	1/4	.593 (15.1)	.540 (13.7)	.625 (15.9)	2.0 (50.8)	4
03	3/8	.593 (15.1)	.675 (17.1)	.875 (22.2)	2.0 (50.8)	4
04	1/2	.781 (19.8)	.840 (21.3)	1.000 (25.4)	2.5 (63.5)	5
05	3/4	.812 (20.6)	1.050 (26.7)	1.250 (31.8)	2.5 (63.5)	5
06	1	1.000 (25.4)	1.315 (33.4)	1.500 (38.1)	2.5 (63.5)	5
07	1 1/4	1.031 (26.2)	1.660 (42.2)	1.750 (44.5)	3.0 (76.2)	6
08	1 1/2	1.031 (26.2)	1.900 (48.3)	2.125 (54.0)	3.0 (76.2)	6
09	2	1.062 (27.0)	2.375 (60.3)	2.500 (63.5)	3.0 (76.2)	6
10	2 1/2	1.453 (36.9)	2.875 (73.0)	3.250 (82.6)	3.0 (76.2)	6

1. Pipe threads per American standard taper pipe thread.
2. Metric dimensions (mm) are indicated in parentheses.
3. When using Connector Designator B refer to pages 18 and 19 for part number development.

# Ten Reasons to Keep Glenair at the Top of Your List of Backshell Suppliers



**1. We offer the lowest total cost of ownership in the interconnect industry:** From our cost-saving "no minimum order" policy to our free product samples and application engineering, Glenair provides the best value in connector accessories available today.

**2. Our full spectrum product lines make for one-stop-shopping:** We have the most complete selection of rectangular backshells and accessories in the world, including every Mil-Spec slash number and more composite designs than the rest of the industry combined.

**3. We have the largest capacity, broadest capability factory in the business** and the knowledge and expertise to handle any production requirement no matter how large or complex.

**4. We've provided complete convenience in ordering since 1956** (that's *your* convenience not ours): choose factory direct, your local Glenair office or your favorite distributor.

**5. We care as much about quality as you do:** We're BSENISO9001 registered in Europe and MIL-I-45208A and Boeing AQS D1-9000 Certified in North America.

**6. We have over 40,000 accessory part numbers ready for immediate shipment** including every Mil-C-85049 accessory and thousands of Glenair's most popular rectangular and circular backshell part numbers.

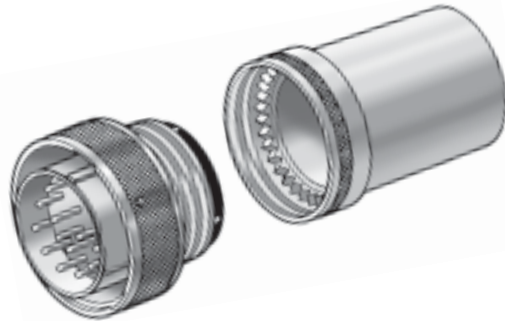
**7. Our turnaround on quotes and custom orders is the fastest in the industry:** We offer 24 hour turnaround on RFQ's and just 2 to 3 weeks delivery on custom orders, including Micro-Ds and other rectangular interconnects.

**8. We have the largest and most experienced support staff in the business,** including sales and engineering in every major aerospace market, on-site application engineering and dedicated product managers for every interconnect discipline.

**9. We understand interconnect systems from the ground up:** We're the only connector, backshell and accessory supplier to operate a full service harness facility. We even make our own line of assembly tools.

**10. We're committed:** Backshells and connector accessories are our life. We've served this market since 1956 and we're committed to meeting the evolving needs of our customers.

Glenair: A World of Interconnect Solutions



## PRODUCT FEATURES

- O-ring Sealed
- Rotatable and Direct Coupling Styles
- Range of Attachment Lengths and Styles Including Bead Chain, Link Chain and Wire and Fabric Rope
- Straight Configurations Only

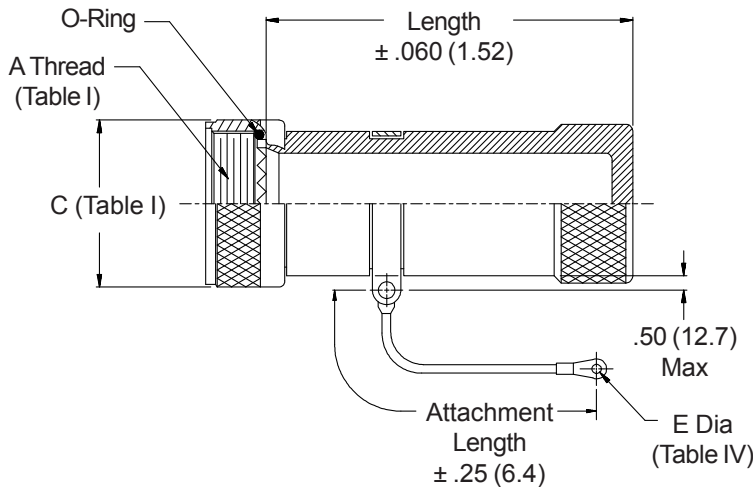
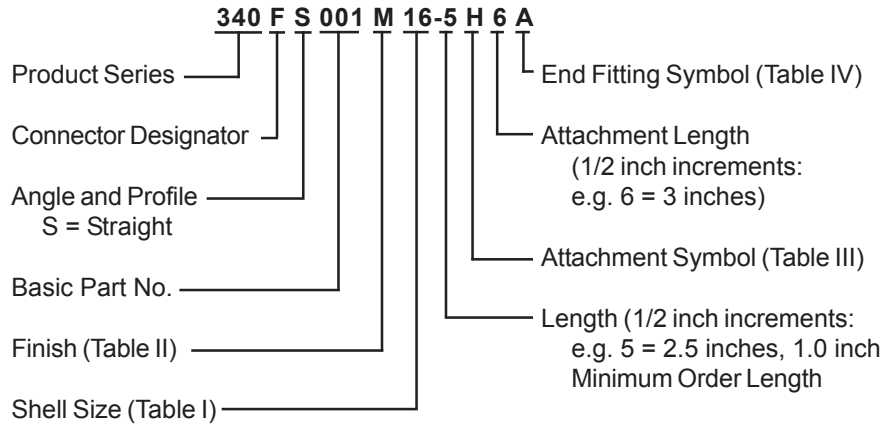
Prevent electrical and environmental damage to uncoupled connectors and electronic systems with Glenair Shorting Caps

***Ideal for receptacle connectors in panel and black box applications***

Glenair Shorting Cap Backshells provide a total enclosure for the rear of a connector, and are adaptable to the fabrication of shorting plugs, special purpose test connectors, or installation of discrete components. Also provide ideal environment for fiber optic loop backs for circuit testing.



**CONNECTOR  
DESIGNATORS**  
**A-F-G**  
**H-J-L-S**  
**ROTATABLE  
COUPLING**



**-445** Now Available with the "NESTOR"

Add "-445" to Specify Glenair's Non-Detent, Spring-Loaded, Self-Locking Coupling. See Page 41 for Details.

Symbol	Attachment
C	No attachment, body strap only
D	Bead chain, cres, passivate, with terminal
E	Link chain, cres, passivate, with reverse link
F	Wire rope, nylon jacket, with terminal
G	Nylon rope, with terminal
H	Wire rope, fluoropolymer jacket, with terminal
N	Attachment omitted
R	Wire rope, PVC jacket, with terminal
S	#8 Sash chain, cres, passivate
U	Wire rope, polyurethane jacket, with terminal

Symbol	E Dia.
A	.140 (3.6)
B	.167 (4.2)
C	.182 (4.6)
D	.191 (4.9)
E	.125 (3.2)
F	.218 (5.5)

GLENAIR SYMBOL	FINISH
B	Cadmium Plate, Olive Drab
C	Anodize, Black
G	Hard Coat, Anodic
M	Electroless Nickel
NF	Cadmium Plate, Olive Drab Over Electroless Nickel

See Back Cover for Complete Finish Information and Additional Finish Options

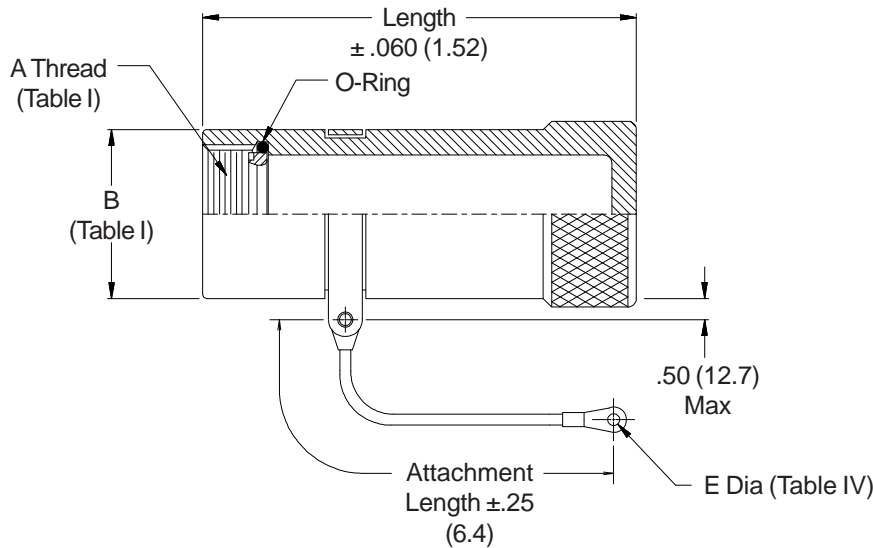
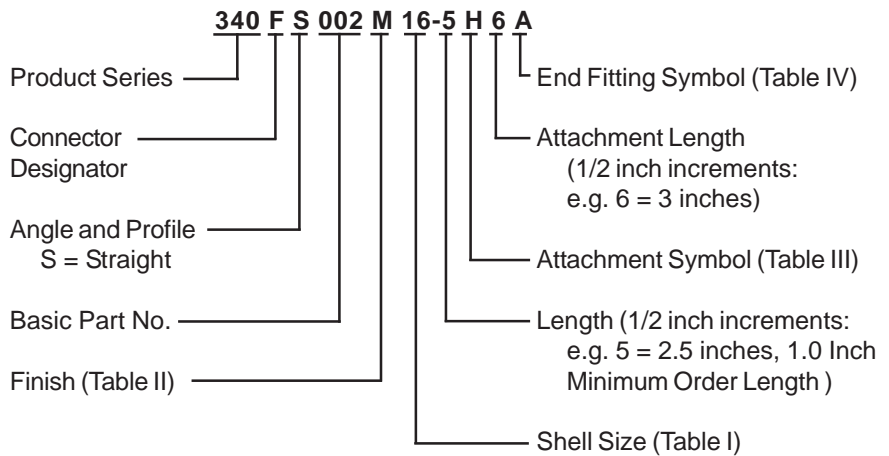
1. Metric dimensions (mm) are indicated in parentheses.
2. O-Ring not supplied with Connector Designators A and G.
3. Custom engraving available, consult factory.

See inside back cover fold-out or pages 13 and 14 for unabridged Tables I and II.

# 340-002 O-Ring Sealed Shorting Cap Backshell Direct Coupling



## CONNECTOR DESIGNATORS **A-B\*-C-D-E-F** **G-H-J-K-L-S** \* Conn. Desig. B See Note 3 **DIRECT COUPLING**



**See inside back cover  
fold-out or pages 13 and  
14 for unabridged  
Tables I and II.**

Symbol	E Dia.
A	.140 (3.6)
B	.167 (4.2)
C	.182 (4.6)
D	.191 (4.9)
E	.125 (3.2)
F	.218 (5.5)

Symbol	Attachment
C	No attachment, body strap only
D	Bead chain, cres, passivate, with terminal
E	Link chain, cres, passivate, with reverse link
F	Wire rope, nylon jacket, with terminal
G	Nylon rope, with terminal
H	Wire rope, teflon jacket, with terminal
N	Attachment omitted
R	Wire rope, PVC jacket, with terminal
S	#8 Sash chain, cres, passivate
U	Wire rope, polyurethane jacket, with terminal

GLENAIR SYMBOL	FINISH
B	Cadmium Plate, Olive Drab
C	Anodize, Black
G	Hard Coat, Anodic
M	Electroless Nickel
NF	Cadmium Plate, Olive Drab Over Electroless Nickel

**See Back Cover for Complete Finish Information and Additional Finish Options**

1. Metric dimensions (mm) are indicated in parentheses.
2. Custom engraving available, consult factory.
3. When using Connector Designator B refer to pages 18 and 19 for part number development.

The Space Shuttle Orbiter escapes earth  
at the speed of 17,000 miles per hour.



But a damaged connector can scratch  
the mission in the blink of an eye.

**G**lenair's Sav-Con® Connector Savers are designed to mate with circular and rectangular Mil Spec connectors and test cables which are subject to repetitive mating cycles during manufacture and test. One of the most dramatic applications of our Sav-Con® connectors is on the Space Shuttle Orbiter where they provide protec-

tion for the umbilical connectors from lift-off to touch-down on every mission.

Glenair's Sav-Cons® are available in general duty, environmental and high-performance versions, and provide outstanding reliability and protection with only minimal affect on circuit resistance. Visit us at [www.glenair.com](http://www.glenair.com) for order information.



Commercial and Mil Spec connector accessories



Convoluted tubing and metal-core conduit



Electrical and fiber optic cable assemblies



Composite thermoplastic components



Microminiature connectors and accessories



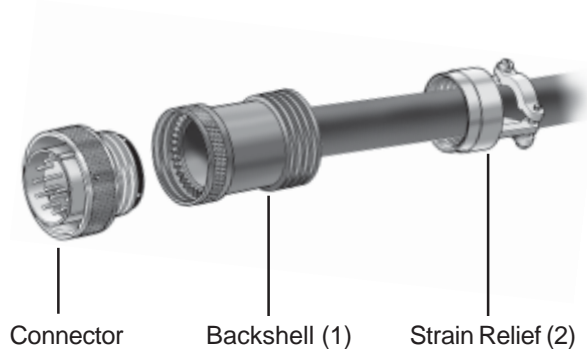
Backshell assembly and termination tools



1211 Air Way  
Glendale, California 91201-2497  
Telephone: 818-247-6000 · Facsimilie: 818-500-9912 · EMail: [sales@glenair.com](mailto:sales@glenair.com)

United States · United Kingdom · Germany · Nordic · France · Italy · Spain

[www.glenair.com](http://www.glenair.com)



## PRODUCT FEATURES

- Basic Backshell Design for Ease of Termination and Assembly
- Rotatable, Self-Locking and Direct Coupling Styles
- Standard and Low Profile Designs
- Straight, 45° and 90° Configurations
- Selection of Strain-Relief Styles

## Mechanical strain-relief and working-room for non-environmental applications

### *Full range of coupling styles, profiles and cable entry configurations*

Glenair provides straight and angled backshells with a wide variety of strain reliefs for light, medium, general, and heavy duty applications where environmental protection of cable-to-connector terminations is not required.

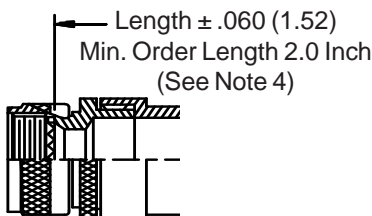
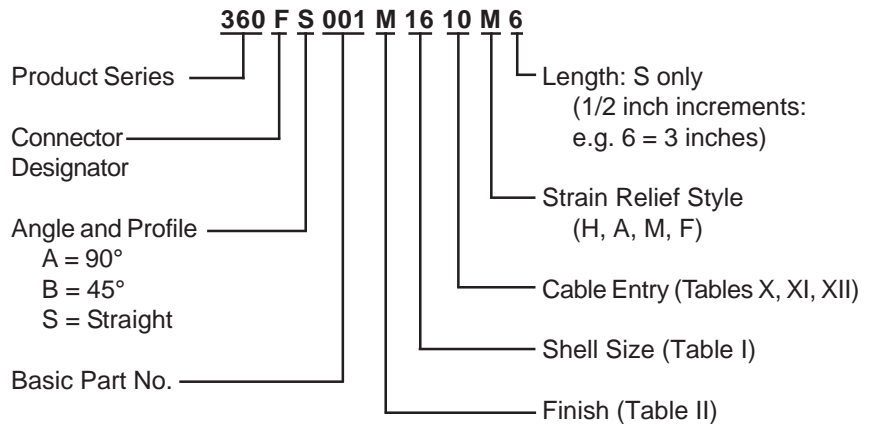
### Assembly Instructions

The following suggested procedure serves as a guide for proper assembly and installation of Glenair Non-Environmental Backshells. It is recommended that trial samples of appropriate cables or wire bundles be used to determine proper trim dimensions of the individual conductors and cable jackets, if applicable.

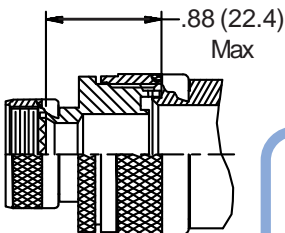
- Temporarily assemble backshell (1) to connector.
- If cable is jacketed, insert cable into backshell (1) and bottom against connector. Hold cable in position and mark cable jacket at rear end of backshell.
- Remove backshell from connector and place on cable with strain relief (2).
- Trim cable jacket at a point 1/2 inch toward connector from mark made in step (b) above.
- Prepare and terminate cable conductors in accordance with established practices.
- Assemble backshell (1) to connector and tighten securely.
- Assemble strain relief (2) to backshell and tighten securely. Tighten strain relief saddles securely on cable or harness.

**NOTE:** *As with any electrical connector assembly procedure, be sure to use the proper tools. For convenient, reliable assembly of the connectors and backshells, it is suggested that Glenair's connector holding tools, strap wrenches and connector pliers be used.*

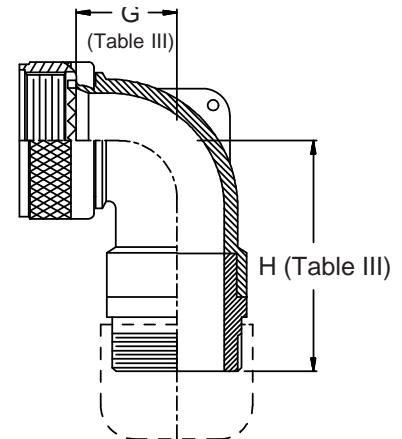
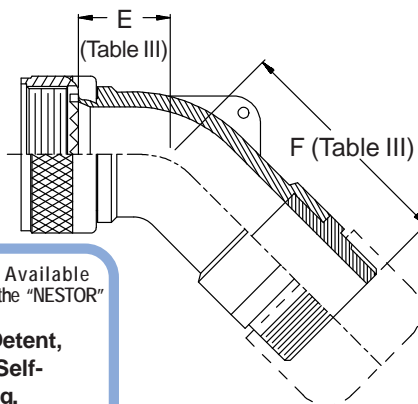
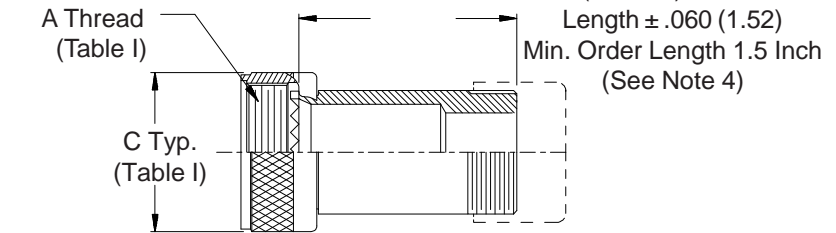
**CONNECTOR  
 DESIGNATORS  
 A-F-H-L-S  
 ROTATABLE  
 COUPLING**



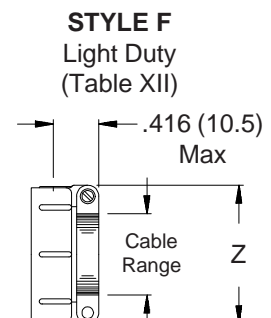
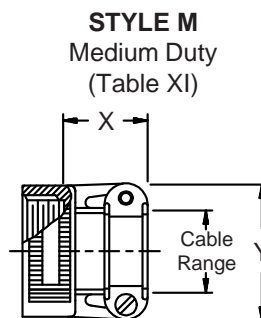
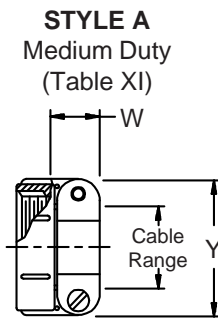
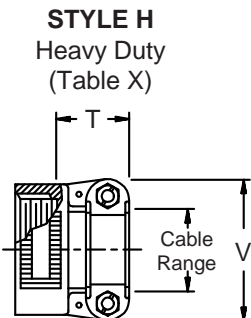
**STYLE 2  
 (STRAIGHT  
 See Note 1)**



**STYLE 2  
 (45° - 90°  
 See Note 1)**



**-445** Now Available with the "NESTOR"  
 Glenair's Non-Detent, Spring-Loaded, Self-Locking Coupling.  
 Add "-445" to Specify This AS85049 Style "N" Coupling Interface.



**360-001**  
**Non-Environmental Backshell**  
 with Strain Relief  
 Low Profile - Rotatable Coupling



**TABLE III: DIMENSIONS**

Shell Size		E Max	F Max	G Max	H Max
Conn. Desig. A-F-L-S	H				
08	09	.457 (11.6)	1.622 (41.2)	.500 (12.7)	1.632 (41.5)
10	11	.520 (13.2)	1.682 (42.7)	.595 (15.1)	1.752 (44.5)
12	13	.582 (14.8)	1.742 (44.2)	.610 (15.5)	1.772 (45.0)
14	15	.645 (16.4)	2.062 (52.4)	.700 (17.8)	2.072 (52.6)
16	17	.738 (18.7)	2.172 (55.2)	.885 (22.5)	2.162 (54.9)
18	19	.926 (23.5)	2.362 (60.0)	.975 (24.8)	2.332 (59.2)
20	21	.926 (23.5)	2.362 (60.0)	.975 (24.8)	2.332 (59.2)
22	23	1.020 (25.9)	2.512 (63.8)	1.125 (28.6)	2.442 (62.0)
24	25	1.020 (25.9)	2.512 (63.8)	1.125 (28.6)	2.442 (62.0)
28		1.145 (29.1)	2.562 (65.1)	1.225 (31.1)	2.612 (66.3)
32		1.207 (30.7)	2.662 (67.6)	1.575 (40.0)	2.862 (72.7)
36		1.238 (31.4)	2.752 (69.9)	1.775 (45.1)	2.862 (72.7)

**TABLE II: STANDARD FINISHES**

GLENAIR SYMBOL	FINISH
B	Cadmium Plate, Olive Drab
C	Anodize, Black
G	Hard Coat, Anodic
M	Electroless Nickel
NF	Cadmium Plate, Olive Drab Over Electroless Nickel

See Inside Back Cover  
for Additional Finish Options

See inside back cover  
fold-out or pages 13  
and 14 for unabridged  
Tables I and II.

**TABLE X: CABLE ENTRY**

Dash No.	T Max	V Max	Cable Range			
			Min	Max	Min	Max
04	.780 (19.8)	.957 (24.3)	.125 (3.2)	.312 (7.9)	.125 (3.2)	.312 (7.9)
06	.780 (19.8)	1.145 (29.1)	.250 (6.4)	.437 (11.1)	.250 (6.4)	.437 (11.1)
08	.780 (19.8)	1.332 (33.8)	.312 (7.9)	.562 (14.3)	.312 (7.9)	.562 (14.3)
10	.780 (19.8)	1.332 (33.8)	.350 (8.9)	.625 (15.9)	.350 (8.9)	.625 (15.9)
12	.811 (20.6)	1.551 (39.4)	.500 (12.7)	.750 (19.1)	.500 (12.7)	.750 (19.1)
16	.905 (23.0)	1.770 (45.0)	.625 (15.9)	.937 (23.8)	.625 (15.9)	.937 (23.8)
20	1.092 (27.7)	2.113 (53.7)	.875 (22.2)	1.250 (31.8)	.875 (22.2)	1.250 (31.8)
24	1.124 (28.5)	2.363 (60.0)	1.000 (25.4)	1.375 (34.9)	1.000 (25.4)	1.375 (34.9)
28	1.399 (35.5)	2.770 (70.4)	1.250 (31.8)	1.625 (41.3)	1.250 (31.8)	1.625 (41.3)
32	1.399 (35.5)	3.020 (76.7)	1.437 (36.5)	1.875 (47.6)	1.437 (36.5)	1.875 (47.6)

**TABLE XII: CABLE ENTRY**

Dash No.	Z Max	Cable Range			
		Min	Max	Min	Max
02	.968 (24.6)	.125 (3.2)	.250 (6.4)	.125 (3.2)	.250 (6.4)
03	1.046 (26.6)	.250 (6.4)	.375 (9.5)	.250 (6.4)	.375 (9.5)
04	1.156 (29.4)	.312 (7.9)	.500 (12.7)	.312 (7.9)	.500 (12.7)
05	1.218 (30.9)	.437 (11.1)	.625 (15.9)	.437 (11.1)	.625 (15.9)
06	1.343 (34.1)	.562 (14.3)	.750 (19.1)	.562 (14.3)	.750 (19.1)
07	1.468 (37.3)	.687 (17.4)	.875 (22.2)	.687 (17.4)	.875 (22.2)
08	1.593 (40.5)	.812 (20.6)	1.000 (25.4)	.812 (20.6)	1.000 (25.4)
10	1.843 (46.8)	1.062 (27.0)	1.250 (31.8)	1.062 (27.0)	1.250 (31.8)

**TABLE XI: CABLE ENTRY**

Dash No.	W Max	X Max	Y Max	Cable Range			
				Min	Max	Min	Max
03*	.437 (11.1)	.760 (19.3)	.843 (21.4)	.156 (4.0)	.250 (6.4)	.156 (4.0)	.250 (6.4)
04*	.437 (11.1)	.760 (19.3)	.906 (23.0)	.188 (4.8)	.312 (7.9)	.188 (4.8)	.312 (7.9)
06*	.500 (12.7)	.760 (19.3)	1.093 (27.8)	.281 (7.1)	.438 (11.1)	.281 (7.1)	.438 (11.1)
08	.563 (14.3)	.760 (19.3)	1.187 (30.1)	.344 (8.7)	.562 (14.3)	.344 (8.7)	.562 (14.3)
10	.563 (14.3)	.760 (19.3)	1.281 (32.5)	.375 (9.5)	.625 (15.9)	.375 (9.5)	.625 (15.9)
12	.563 (14.3)	.760 (19.3)	1.500 (38.1)	.438 (11.1)	.750 (19.1)	.438 (11.1)	.750 (19.1)
16	.656 (16.7)	1.073 (27.3)	1.719 (43.7)	.562 (14.3)	.938 (23.8)	.562 (14.3)	.938 (23.8)
20	.656 (16.7)	1.323 (33.6)	2.062 (52.4)	.750 (19.1)	1.250 (31.8)	.750 (19.1)	1.250 (31.8)
24	.656 (16.7)	1.323 (33.6)	2.312 (58.7)	.781 (19.8)	1.375 (34.9)	.781 (19.8)	1.375 (34.9)
28	1.188 (30.2)	1.572 (39.9)	2.719 (69.1)	.969 (24.6)	1.625 (41.3)	.969 (24.6)	1.625 (41.3)
32*	1.187 (30.1)	1.572 (39.9)	2.969 (75.4)	1.125 (28.6)	1.875 (47.6)	1.125 (28.6)	1.875 (47.6)
40*	1.125 (28.6)	1.572 (39.9)	3.531 (89.7)	1.469 (37.3)	2.375 (60.3)	1.469 (37.3)	2.375 (60.3)

\* Not available in Style M clamp.

1. When maximum cable entry (page 21) is exceeded, Style 2 will be supplied. Dimensions E, F, G and H will not apply. Please consult factory.
2. Metric dimensions (mm) are indicated in parentheses.
3. Cable range is defined as the accommodations range for the wire bundle or cable. Dimensions shown are not intended for inspection criteria.
4. Consult factory for shorter lengths on straight backshells.



**CONNECTOR DESIGNATORS**  
**A-B\*-C-D-E-F**  
**G-H-J-K-L-S**

\* Conn. Desig. B See Note 5

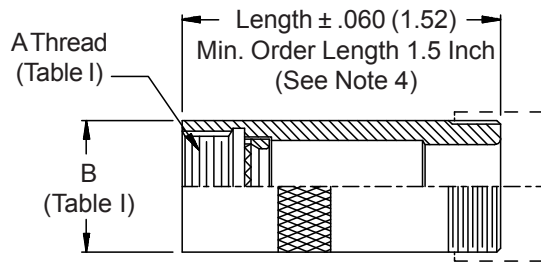
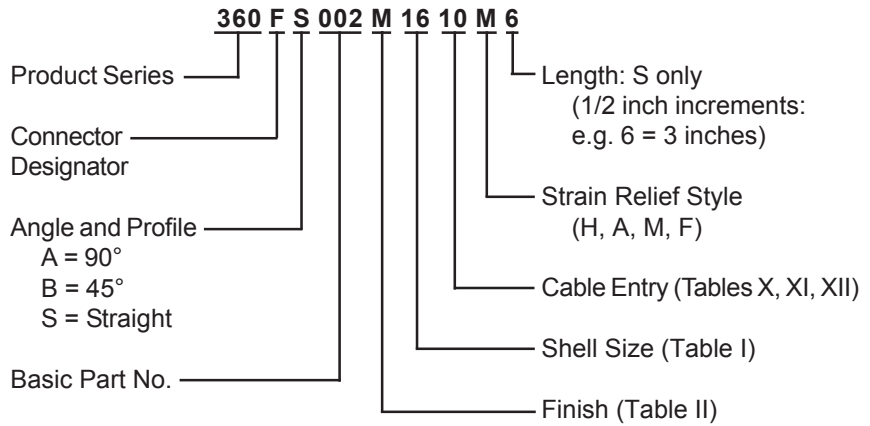
**DIRECT COUPLING**

Length ± .060 (1.52)

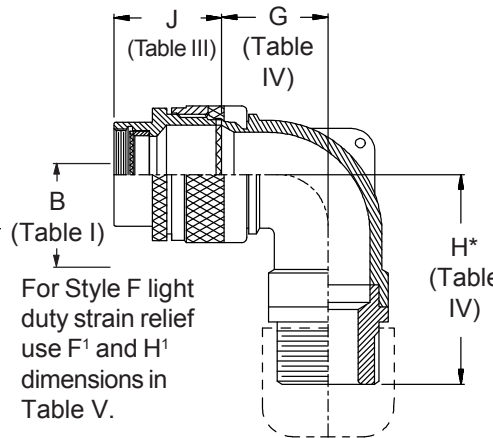
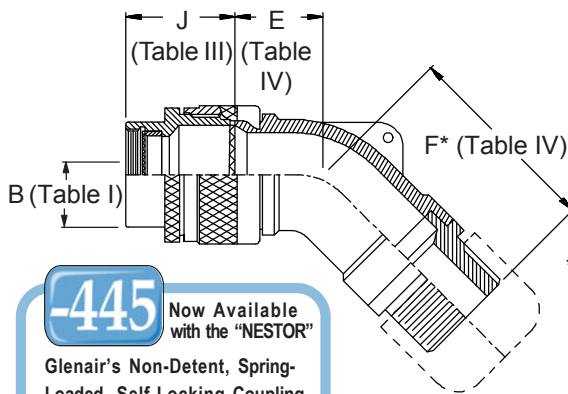
Min. Order Length 2.0 Inch  
 (See Note 4)



**STYLE 2**  
**(STRAIGHT - See Note 1)**



1. When maximum cable entry (page 22) is exceeded, Style 2 will be supplied. (straight only.)
2. Metric dimensions (mm) are indicated in parentheses.
3. Cable range is defined as the accommodations range for the wire bundle or cable. Dimensions shown are not intended for inspection criteria.
4. Consult factory for shorter lengths on straight backshells.
5. When using Connector Designator B refer to pages 18 and 19 for part number development.



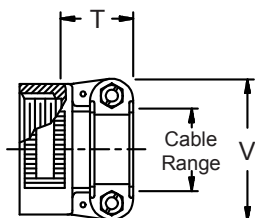
\* For Style F light duty strain relief use F<sup>1</sup> and H<sup>1</sup> dimensions in Table V.

**-445**

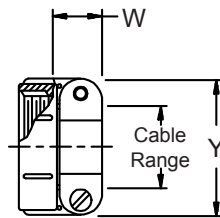
Now Available with the "NESTOR"

Glenair's Non-Detent, Spring-Loaded, Self-Locking Coupling. Add "-445" to Specify This AS85049 Style "N" Coupling Interface.

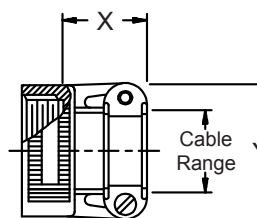
**STYLE H**  
 Heavy Duty  
 (Table X)



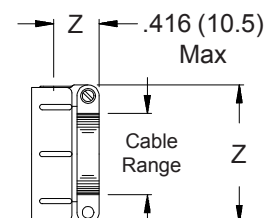
**STYLE A**  
 Medium Duty  
 (Table XI)



**STYLE M**  
 Medium Duty  
 (Table XI)



**STYLE F**  
 Light Duty  
 (Table XII)



**360-002**  
**Non-Environmental Backshell**  
 with Strain Relief  
 Low Profile - Direct Coupling



**TABLE III: FRONT ADAPTER**

Shell Size	J Max - Conn. Designator		
	A-E-F J-H-L-S	D-B-G-K	C
08/09	1.180 (30.0)	1.440 (36.6)	
10/11	1.180 (30.0)	1.440 (36.6)	
12/13	1.180 (30.0)	1.440 (36.6)	1.735 (44.1)
14/15	1.180 (30.0)	1.440 (36.6)	1.915 (48.6)
16/17	1.380 (35.0)	1.560 (39.6)	1.915 (48.6)
18/19	1.380 (35.0)	1.560 (39.6)	1.915 (48.6)
20/21	1.380 (35.0)	1.560 (39.6)	1.915 (48.6)
22/23	1.380 (35.0)	1.560 (39.6)	1.915 (48.6)
24/25	1.380 (35.0)	1.560 (39.6)	1.915 (48.6)
28/29	1.610 (40.9)	1.560 (39.6)	1.915 (48.6)
32/33	1.610 (40.9)	1.750 (44.5)	1.915 (48.6)
36	1.610 (40.9)	1.750 (44.5)	1.915 (48.6)
40	1.610 (40.9)	2.190 (55.6)	1.915 (48.6)

See inside back cover fold-out or pages 13 and 14 for unabridged Tables I and II.

**TABLE IV: ELBOW DIMENSIONS**

Elbow Size	E	F	G	H
	Max	Max	Max	Max
04	.567 (14.4)	1.187 (30.1)	.636 (16.2)	1.200 (30.5)
06	.630 (16.0)	1.250 (31.8)	.710 (18.0)	1.320 (33.5)
08	.692 (17.6)	1.312 (33.3)	.731 (18.6)	1.340 (34.0)
10	.755 (19.2)	1.655 (42.0)	.825 (21.0)	1.660 (42.2)
12	.848 (21.5)	1.765 (44.8)	.988 (25.1)	1.950 (49.5)
16	1.036 (26.3)	1.952 (49.6)	1.087 (27.6)	2.033 (51.6)
20	1.130 (28.7)	2.098 (53.3)	1.325 (33.7)	2.033 (51.6)
24	1.255 (31.9)	2.155 (54.7)	1.337 (34.0)	2.200 (55.9)
28	1.317 (33.5)	2.250 (57.2)	1.827 (46.4)	2.450 (62.2)
32	1.348 (34.2)	2.343 (59.5)	2.027 (51.5)	2.450 (62.2)

**TABLE X: CABLE ENTRY**

Dash No.	T Max	V Max	Cable Range	
			Min	Max
04	.780 (19.8)	.957 (24.3)	.125 (3.2)	.312 (7.9)
06	.780 (19.8)	1.145 (29.1)	.250 (6.4)	.437 (11.1)
08	.780 (19.8)	1.332 (33.8)	.312 (7.9)	.562 (14.3)
10	.780 (19.8)	1.332 (33.8)	.350 (8.9)	.625 (15.9)
12	.811 (20.6)	1.551 (39.4)	.500 (12.7)	.750 (19.1)
16	.905 (23.0)	1.770 (45.0)	.625 (15.9)	.937 (23.8)
20	1.092 (27.7)	2.113 (53.7)	.875 (22.2)	1.250 (31.8)
24	1.124 (28.5)	2.363 (60.0)	1.000 (25.4)	1.375 (34.9)
28	1.399 (35.5)	2.770 (70.4)	1.250 (31.8)	1.625 (41.3)
32	1.399 (35.5)	3.020 (76.7)	1.437 (36.5)	1.875 (47.6)

**TABLE XII: CABLE ENTRY**

Dash No.	Z Max	Cable Range	
		Min	Max
02	.968 (24.6)	.125 (3.2)	.250 (6.4)
03	1.046 (26.6)	.250 (6.4)	.375 (9.5)
04	1.156 (29.4)	.312 (7.9)	.500 (12.7)
05	1.218 (30.9)	.437 (11.1)	.625 (15.9)
06	1.343 (34.1)	.562 (14.3)	.750 (19.1)
07	1.468 (37.3)	.687 (17.4)	.875 (22.2)
08	1.593 (40.5)	.812 (20.6)	1.000 (25.4)
10	1.843 (46.8)	1.062 (27.0)	1.250 (31.8)

**TABLE XI: CABLE ENTRY**

Dash No.	W Max	X Max	Y Max	Cable Range	
				Min	Max
03*	.437 (11.1)	.760 (19.3)	.843 (21.4)	.156 (4.0)	.250 (6.4)
04*	.437 (11.1)	.760 (19.3)	.906 (23.0)	.188 (4.8)	.312 (7.9)
06*	.500 (12.7)	.760 (19.3)	1.093 (27.8)	.281 (7.1)	.438 (11.1)
08	.563 (14.3)	.760 (19.3)	1.187 (30.1)	.344 (8.7)	.562 (14.3)
10	.563 (14.3)	.760 (19.3)	1.281 (32.5)	.375 (9.5)	.625 (15.9)
12	.563 (14.3)	.760 (19.3)	1.500 (38.1)	.438 (11.1)	.750 (19.1)
16	.656 (16.7)	1.073 (27.3)	1.719 (43.7)	.562 (14.3)	.938 (23.8)
20	.656 (16.7)	1.323 (33.6)	2.062 (52.4)	.750 (19.1)	1.250 (31.8)
24	.656 (16.7)	1.323 (33.6)	2.312 (58.7)	.781 (19.8)	1.375 (34.9)
28	1.188 (30.2)	1.572 (39.9)	2.719 (69.1)	.969 (24.6)	1.625 (41.3)
32*	1.187 (30.1)	1.572 (39.9)	2.969 (75.4)	1.125 (28.6)	1.875 (47.6)
40*	1.125 (28.6)	1.572 (39.9)	3.531 (89.7)	1.469 (37.3)	2.375 (60.3)

\* Not available in Style M clamp.

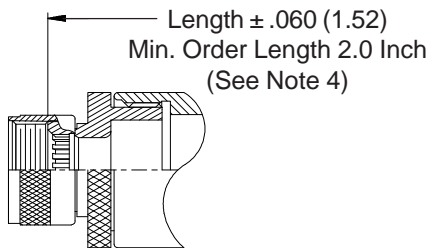
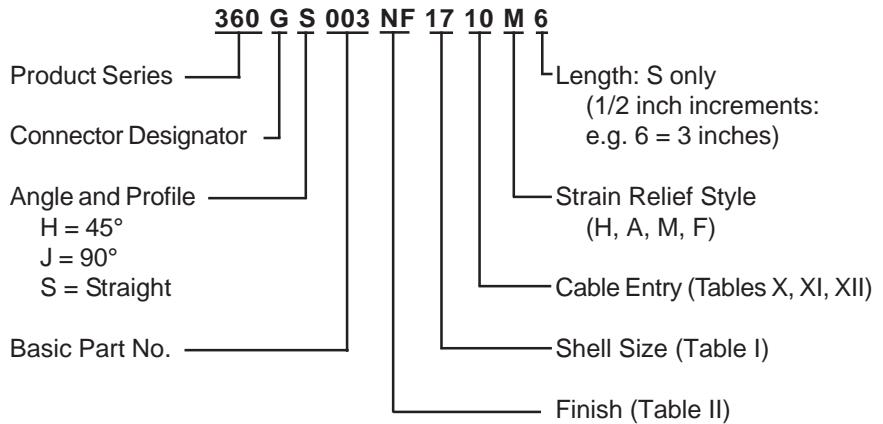
**TABLE V: ELBOW**

Elbow Size	F <sup>1</sup>
	Max
04	1.550 (39.4)
06	1.610 (40.9)
08	1.670 (42.4)
10	1.760 (44.7)
12	1.870 (47.5)
16	2.060 (52.3)
20	2.210 (56.1)

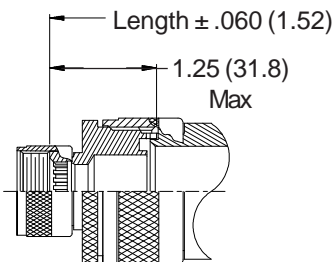
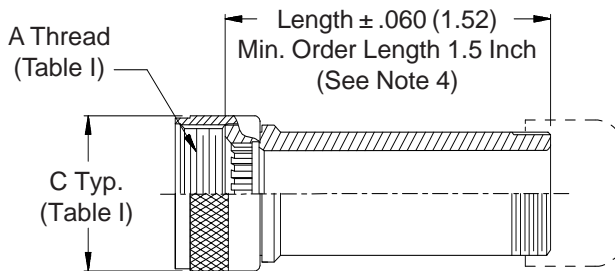
  

Elbow Size	H <sup>1</sup>
	Max
04	1.560 (39.6)
06	1.680 (42.7)
08	1.700 (43.2)
10	1.770 (45.0)
12	1.860 (47.2)
16	2.030 (51.6)
20	2.140 (54.4)

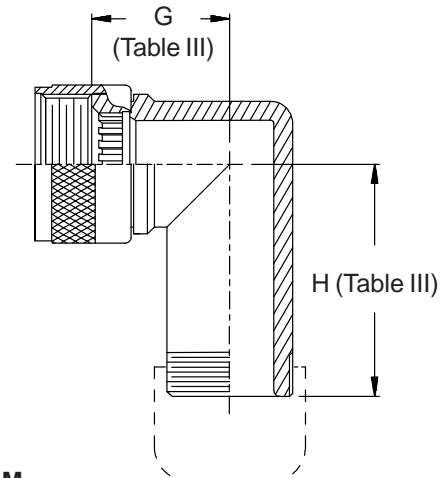
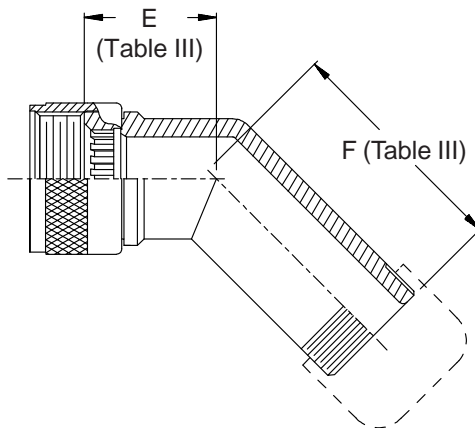
**CONNECTOR  
DESIGNATOR**  
**G**  
**ROTATABLE  
COUPLING**



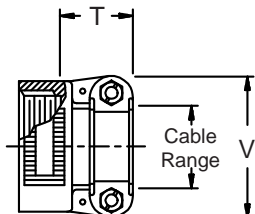
**STYLE 2**  
**(STRAIGHT**  
**See Note 1)**



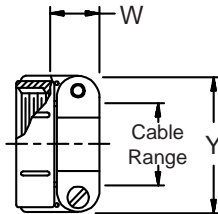
**STYLE 2**  
**(45° & 90°**  
**See Note 1)**



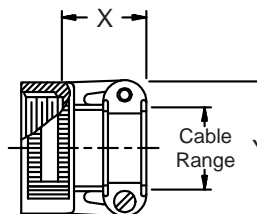
**STYLE H**  
**Heavy Duty**  
**(Table X)**



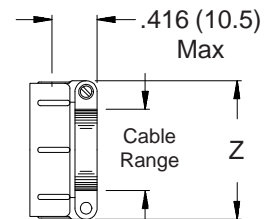
**STYLE A**  
**Medium Duty**  
**(Table XI)**



**STYLE M**  
**Medium Duty**  
**(Table XI)**



**STYLE F**  
**Light Duty**  
**(Table XII)**



**360-003**  
**Non-Environmental Backshell**  
with Strain Relief  
**Standard Profile - Rotatable Coupling**



See inside back cover fold-out or pages 13 and 14 for unabridged Tables I and II.

**TABLE III: DIMENSIONS**

Shell Size	E Max	F Max	G Max	H Max
11	1.240 (31.5)	.920 (23.4)	1.380 (35.1)	1.060 (26.9)
13	1.260 (32.0)	.940 (23.9)	1.440 (36.6)	1.120 (28.4)
15	1.290 (32.8)	.970 (24.6)	1.500 (38.1)	1.190 (30.2)
17	1.310 (33.3)	.990 (25.1)	1.570 (39.9)	1.250 (31.8)
19	1.340 (34.0)	1.020 (25.9)	1.630 (41.4)	1.330 (33.8)
23	1.380 (35.1)	1.060 (26.9)	1.730 (43.9)	1.410 (35.8)
25	1.410 (35.8)	1.090 (27.7)	1.800 (45.7)	1.480 (37.6)
29	1.580 (40.1)	1.260 (32.0)	2.040 (51.8)	1.720 (43.7)
33	1.620 (41.1)	1.300 (33.0)	2.130 (54.1)	1.810 (46.0)

**TABLE II: STANDARD FINISHES**

GLENAIR SYMBOL	FINISH
B	Cadmium Plate, Olive Drab
C	Anodize, Black
G	Hard Coat, Anodic
M	Electroless Nickel
NF	Cadmium Plate, Olive Drab Over Electroless Nickel

See Inside Back Cover for Additional Finish Options

**TABLE X: CABLE ENTRY**

Dash No.	T Max	V Max	Cable Range	
			Min	Max
04	.780 (19.8)	.957 (24.3)	.125 (3.2)	.312 (7.9)
06	.780 (19.8)	1.145 (29.1)	.250 (6.4)	.437 (11.1)
08	.780 (19.8)	1.332 (33.8)	.312 (7.9)	.562 (14.3)
10	.780 (19.8)	1.332 (33.8)	.350 (8.9)	.625 (15.9)
12	.811 (20.6)	1.551 (39.4)	.500 (12.7)	.750 (19.1)
16	.905 (23.0)	1.770 (45.0)	.625 (15.9)	.937 (23.8)
20	1.092 (27.7)	2.113 (53.7)	.875 (22.2)	1.250 (31.8)
24	1.124 (28.5)	2.363 (60.0)	1.000 (25.4)	1.375 (34.9)
28	1.399 (35.5)	2.770 (70.4)	1.250 (31.8)	1.625 (41.3)
32	1.399 (35.5)	3.020 (76.7)	1.437 (36.5)	1.875 (47.6)

**TABLE XII: CABLE ENTRY**

Dash No.	Z Max	Cable Range	
		Min	Max
02	.968 (24.6)	.125 (3.2)	.250 (6.4)
03	1.046 (26.6)	.250 (6.4)	.375 (9.5)
04	1.156 (29.4)	.312 (7.9)	.500 (12.7)
05	1.218 (30.9)	.437 (11.1)	.625 (15.9)
06	1.343 (34.1)	.562 (14.3)	.750 (19.1)
07	1.468 (37.3)	.687 (17.4)	.875 (22.2)
08	1.593 (40.5)	.812 (20.6)	1.000 (25.4)
10	1.843 (46.8)	1.062 (27.0)	1.250 (31.8)

**TABLE XI: CABLE ENTRY**

Dash No.	W Max	X Max	Y Max	Cable Range	
				Min	Max
03*	.437 (11.1)	.760 (19.3)	.843 (21.4)	.156 (4.0)	.250 (6.4)
04*	.437 (11.1)	.760 (19.3)	.906 (23.0)	.188 (4.8)	.312 (7.9)
06*	.500 (12.7)	.760 (19.3)	1.093 (27.8)	.281 (7.1)	.438 (11.1)
08	.563 (14.3)	.760 (19.3)	1.187 (30.1)	.344 (8.7)	.562 (14.3)
10	.563 (14.3)	.760 (19.3)	1.281 (32.5)	.375 (9.5)	.625 (15.9)
12	.563 (14.3)	.760 (19.3)	1.500 (38.1)	.438 (11.1)	.750 (19.1)
16	.656 (16.7)	1.073 (27.3)	1.719 (43.7)	.562 (14.3)	.938 (23.8)
20	.656 (16.7)	1.323 (33.6)	2.062 (52.4)	.750 (19.1)	1.250 (31.8)
24	.656 (16.7)	1.323 (33.6)	2.312 (58.7)	.781 (19.8)	1.375 (34.9)
28	1.188 (30.2)	1.572 (39.9)	2.719 (69.1)	.969 (24.6)	1.625 (41.3)
32*	1.187 (30.1)	1.572 (39.9)	2.969 (75.4)	1.125 (28.6)	1.875 (47.6)
40*	1.125 (28.6)	1.572 (39.9)	3.531 (89.7)	1.469 (37.3)	2.375 (60.3)

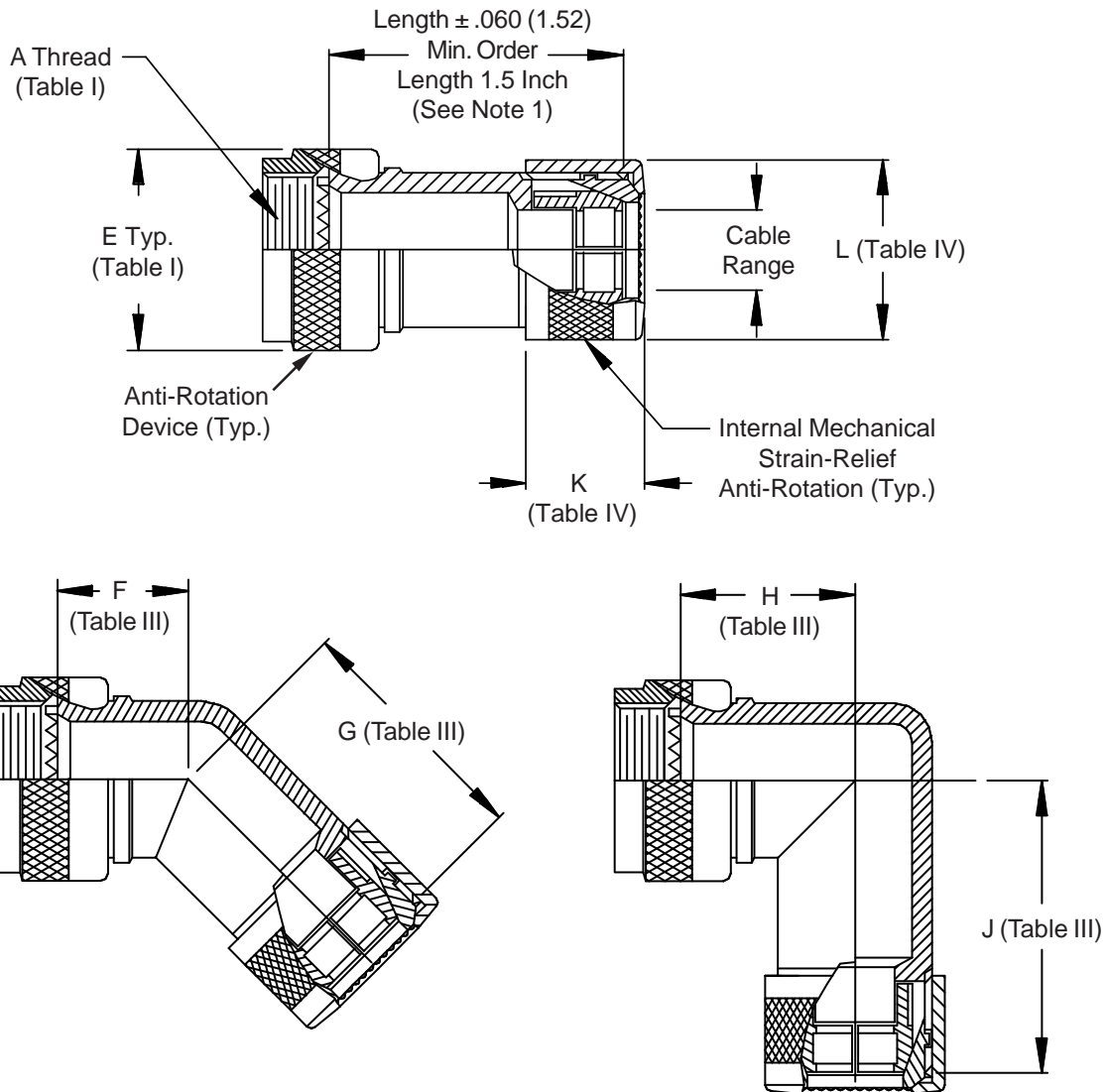
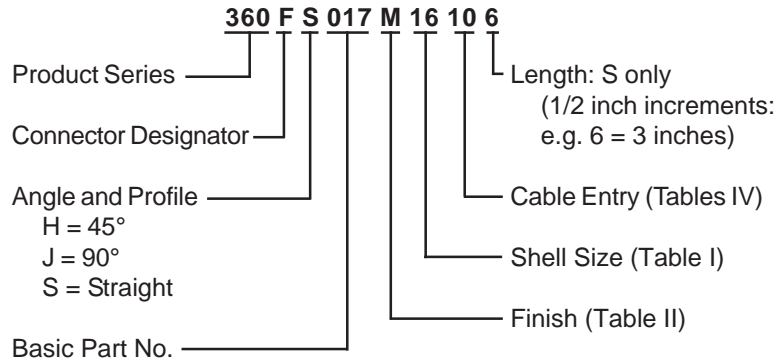
\* Not available in Style M clamp.

**-445** Now Available with the "NESTOR"

Add "-445" to Specify Glenair's Non-Detent, Spring-Loaded, Self-Locking Coupling. See Page 41 for Details.

- When maximum cable entry (pages 21) is exceeded, Style 2 will be supplied. Dimensions E, F, G and H will not apply. Please consult factory.
- Metric dimensions (mm) are indicated in parentheses.
- Cable range is defined as the accommodations range for the wire bundle or cable. Dimensions shown are not intended for inspection criteria.
- Consult factory for shorter lengths on straight backshells.

**CONNECTOR  
DESIGNATORS  
A-F-H-L-S  
SELF-LOCKING  
ROTATABLE  
COUPLING  
QWIKCLAMP®  
STRAIN RELIEF**



**360-017**  
**Non-Environmental Backshell**  
with QwikClamp® Strain Relief  
**Standard Profile - Self-Locking - Rotatable Coupling**



See inside back cover fold-out or pages 13 and 14 for unabridged Tables I and II.

TABLE III: ELBOW DIMENSIONS						
Shell Size		F Max	G Max	H Max	J Max	
Conn. Desig. A-F-L-S	H					
08	09	.795 (20.2)	1.390 (35.3)	.906 (23.0)	1.500 (38.1)	
10	11	.820 (20.8)	1.420 (36.1)	.966 (24.5)	1.560 (39.6)	
12	13	.844 (21.4)	1.440 (36.6)	1.026 (26.1)	1.620 (41.1)	
14	15	.861 (21.9)	1.470 (37.3)	1.076 (27.3)	1.690 (42.9)	
16	17	.888 (22.6)	1.490 (37.8)	1.136 (28.9)	1.750 (44.5)	
18	19	.904 (23.0)	1.500 (38.1)	1.176 (29.9)	1.770 (45.0)	
20	21	.929 (23.6)	1.520 (38.6)	1.236 (31.4)	1.830 (46.5)	
22	23	.956 (24.3)	1.560 (39.6)	1.296 (32.9)	1.910 (48.5)	
24	25	.979 (24.9)	1.590 (40.4)	1.356 (34.4)	1.980 (50.3)	
28		1.197 (30.4)	1.760 (44.7)	1.636 (41.6)	2.220 (56.4)	
32		1.280 (32.5)	1.800 (45.7)	1.780 (45.2)	2.310 (58.7)	
36		1.294 (32.9)	1.850 (47.0)	1.876 (47.7)	2.420 (61.5)	
40		1.340 (34.0)	1.890 (48.0)	1.986 (50.4)	2.530 (64.3)	
44		1.360 (34.5)	1.940 (49.3)	2.235 (56.8)	2.650 (67.3)	

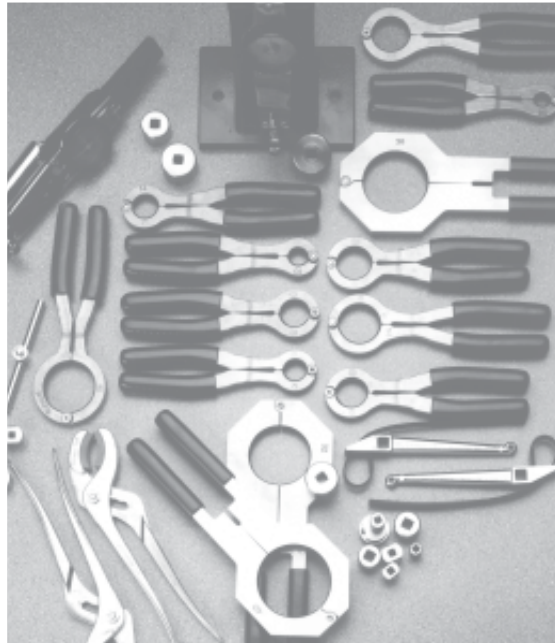
TABLE IV: CABLE ENTRY					
Dash No.	K Max	L Max	Cable Range		
			Min	Max	
08	.530 (13.5)	.720 (18.3)	.128 (3.3)	.250 (6.4)	
12	.710 (18.0)	.910 (23.1)	.233 (5.9)	.375 (9.5)	
16	.720 (18.3)	1.090 (27.7)	.358 (9.1)	.500 (12.7)	
20	.720 (18.3)	1.220 (31.0)	.482 (12.2)	.625 (15.9)	
24	.660 (16.8)	1.340 (34.0)	.545 (13.8)	.750 (19.1)	
28	.790 (20.1)	1.530 (38.9)	.670 (17.0)	.875 (22.2)	
32	.870 (22.1)	1.720 (43.7)	.795 (20.2)	1.000 (25.4)	
36	.830 (21.1)	1.850 (47.0)	.889 (22.6)	1.125 (28.6)	
40	.820 (20.8)	1.970 (50.0)	1.014 (25.8)	1.250 (31.8)	
44	.910 (23.1)	2.090 (53.1)	1.155 (29.3)	1.375 (34.9)	
48	.900 (22.9)	2.280 (57.9)	1.280 (32.5)	1.500 (38.1)	

1. Consult factory for shorter lengths on straight backshells.
2. Metric dimensions (mm) are indicated in parentheses.
3. Cable range is defined as the accommodations range for the wire bundle or cable.  
Dimensions shown are not intended for inspection criteria.

TABLE II: STANDARD FINISHES	
GLENAIR SYMBOL	FINISH
B	Cadmium Plate, Olive Drab
C	Anodize, Black
G	Hard Coat, Anodic
M	Electroless Nickel
NF	Cadmium Plate, Olive Drab Over Electroless Nickel
See Inside Back Cover for Additional Finish Options	



# Stop Toolin' Around



## Finding the right tool for the job just got a little bit easier

Nobody can grasp the ins-and-outs of interconnect tool design and manufacturing without a full understanding of cable harness assembly.

At Glenair, we not only manufacture the connectors, backshells, cables and enclosures which go into interconnect cable harnesses, we run a top-flight cable assembly service of our own. And we've drawn on this extensive experience to design and build a

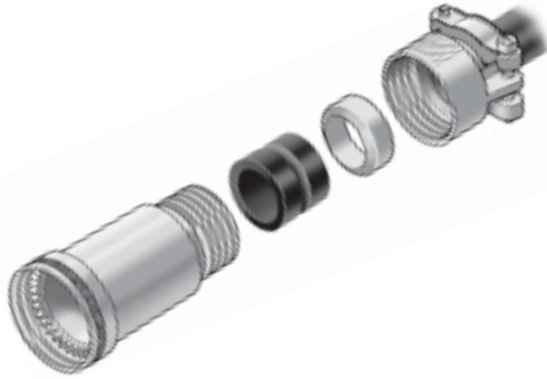
complete family of specialized backshell assembly tools for most Mil-Standard circular connectors, as well as connector wrenches, mini-strap wrenches, universal connector holding tools and braid termination tools for production use and field maintenance.

Contact Glenair for more information or for a copy of our complete *Glenair Backshell Assembly Tools, Banding Tools and Accessories* Catalog.



1211 Air Way  
Glendale, California 91201-2497  
Telephone: 818-247-6000 • Facsimilie: 818-500-9912 • EMail: sales@glenair.com

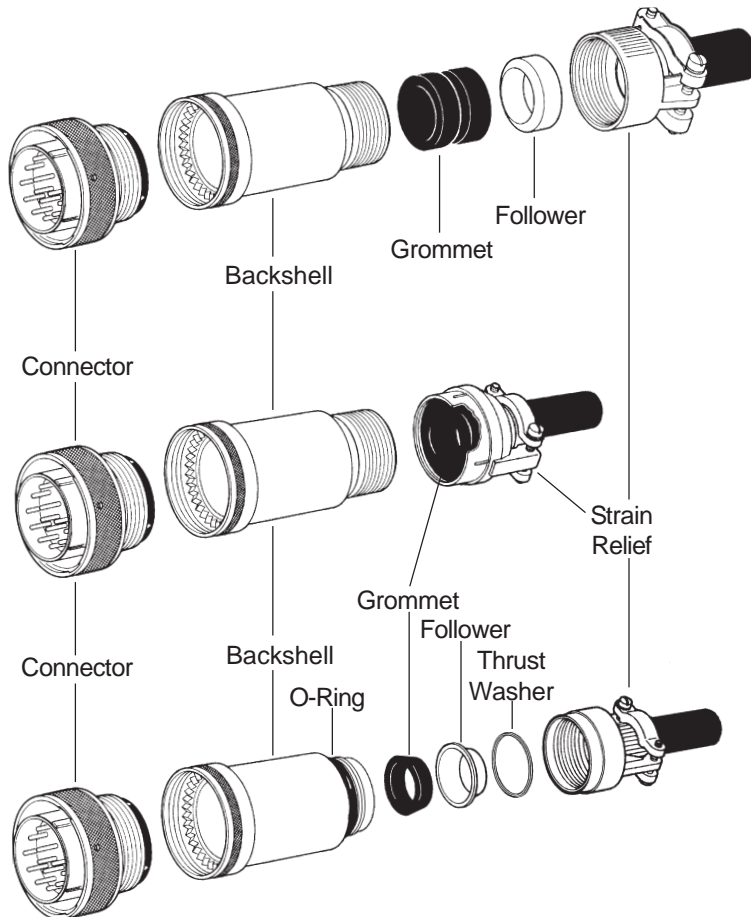
United States • United Kingdom • Germany • Nordic • France • Italy • Spain  
www.glenair.com



## PRODUCT FEATURES

- Basic Backshell Design Facilitates Termination and Assembly
- Rotatable, Self-Locking and Direct Coupling Styles
- Standard, Low Profile, Full Radius and Split Shell Designs
- Straight, 45° and 90° Configurations
- Selection of Strain-Relief Styles

Full immersion, water-tight and splash proof designs  
*The right level of cable sealing for every application*



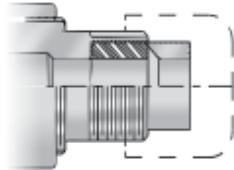
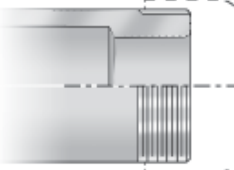
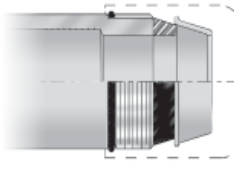
**Submersible:** Glenair Cable Sealing Backshells offer excellent immersion capability when used with impervious jacketed cables. A resilient grommet which fits into a counterbore in the backshell compresses and seals against the cable jacket when the strain relief is tightened. This design of cable sealing backshell is described as "submersible" throughout this catalog. It is also available in split-shell configurations.

**Water-Tight:** Glenair offers an economy version, too. This Cable Sealing Backshell provides a resilient grommet as an integral part of the cable strain relief; it is described as "water-tight" throughout this catalog.

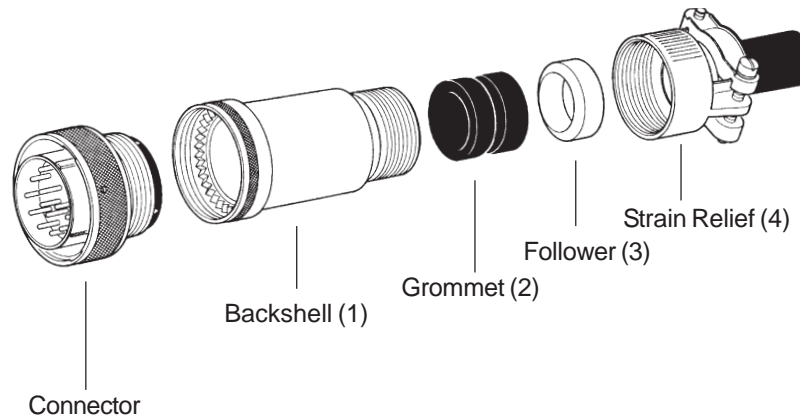
**Splash-Proof:** For applications requiring only moisture resistance and sealing against dust, Glenair offers Environmental Resisting Backshells. An effective sealing barrier is created by a resilient grommet at the backshell cable entry. This backshell design is described as "splash-proof" throughout this catalog.

## Quick Page Number Reference Guide

Consult factory for any designs not included within this catalog.

Cable Entry Design	Coupling Type	Connector Designators	Page Number				
			Straight	Low-Profile Elbows	Full-Radius Elbows	Standard Profile Elbows	Split Shell Elbows
 <b>Submersible</b>	Rotatable 370-001	AFHLS	37-4	37-4	37-6		37-24
	Rotatable 370-007	G	37-8			37-8	
	Direct 370-002	All	37-10	37-10	37-12		
	Self-Locking Rotatable 370-024	AFHLS					37-26
 <b>Water-Tight</b>	Rotatable 370-003	AFHLS	37-14	37-14			
	Rotatable 370-008	G	37-16			37-16	
	Direct 370-004	All	37-18	37-18			
 <b>Splash-Proof</b>	Rotatable 370-005	AFHLS	37-20	37-20			
	Direct 370-006	All	37-22	37-22			

## Assembly Instructions - Series 37



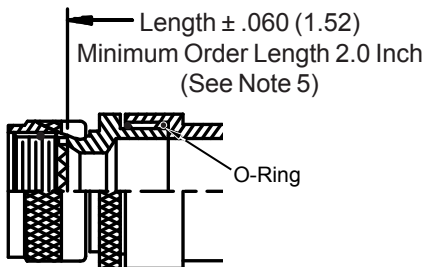
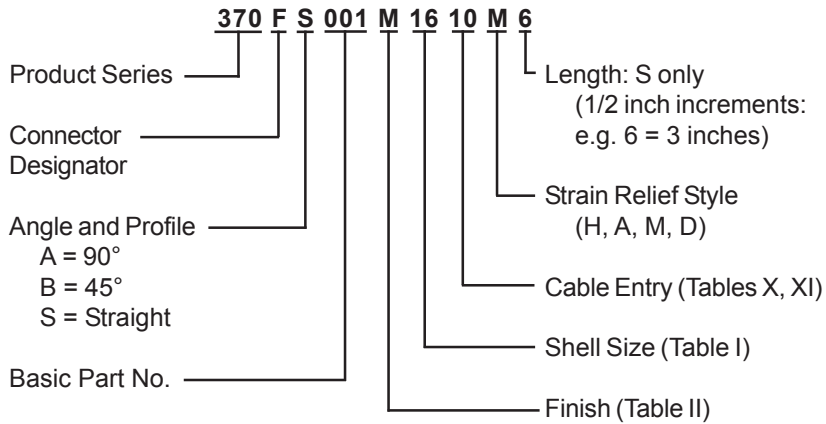
The following suggested procedure serves as a guide for proper assembly and installation of straight Glenair Cable Sealing Backshells for use with jacketed cables. It is recommended that trial samples of appropriate cables be used to determine proper trim dimensions of the cable jacket and individual conductors.

- Temporarily assemble backshell (1) to connector.
- Place grommet (2), follower (3), and strain relief (4) on cable in sequence shown. Keep these components at a convenient distance from the end of the cable so they will not interfere with subsequent assembly steps.
- Insert fiber into backshell (1) and bottom against connector. Hold cable in position and mark cable jacket at rear end of backshell.
- Remove backshell from connector and place on cable with components in step (b) above.

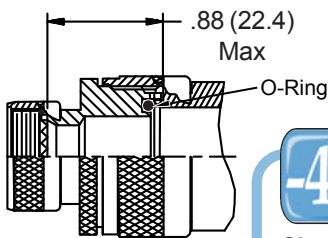
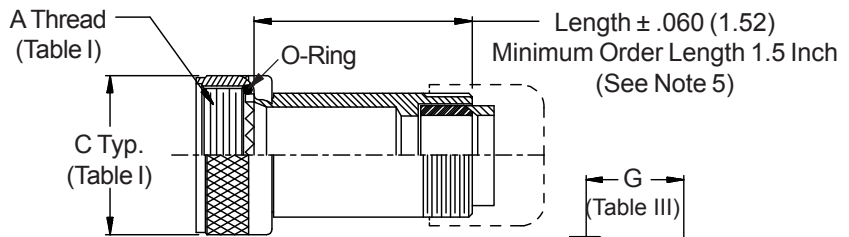
- Prepare and terminate fibers in accordance with established practices.
- Assemble backshell (1) to connector and tighten securely. Slide grommet (2) into backshell and position follower (3) against grommet.
- Attach gland nut(4) to backshell and tighten securely. If provided, tighten strain relief saddles securely on cable jacket.

NOTE: As with any electrical connector assembly procedure, be sure to use the proper tools. For convenient reliable assembly of the connector and backshell, it is suggested that Glenair's connector holding tools, strap wrenches and connector pliers be used.

**CONNECTOR  
 DESIGNATORS  
 A-F-H-L-S  
 ROTATABLE  
 COUPLING**



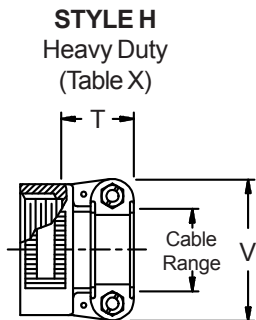
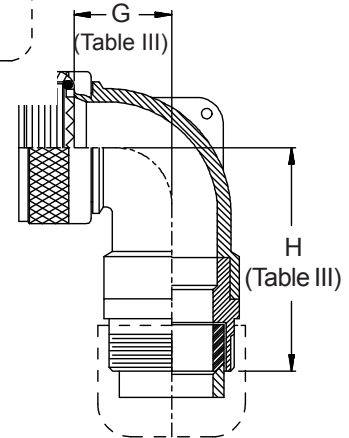
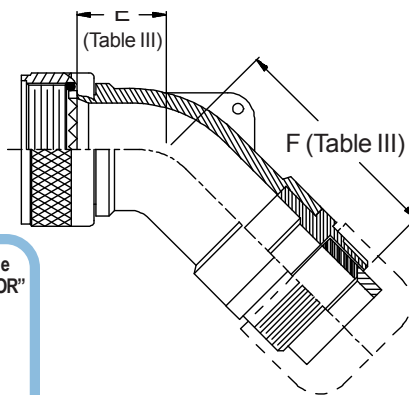
**STYLE 2**  
 (STRAIGHT  
 See Note 1)



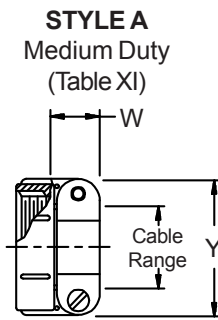
**STYLE 2**  
 (45° & 90°  
 See Note 1)

**-445** Now Available with the "NESTOR"

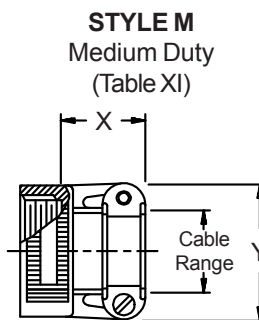
Glenair's Non-Detent, Spring-Loaded, Self-Locking Coupling.  
 Add "-445" to Specify This AS85049 Style "N" Coupling Interface.



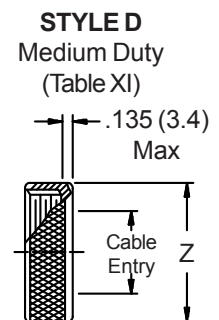
**STYLE H**  
 Heavy Duty  
 (Table X)



**STYLE A**  
 Medium Duty  
 (Table XI)



**STYLE M**  
 Medium Duty  
 (Table XI)



**STYLE D**  
 Medium Duty  
 (Table XI)

**370-001**  
**Submersible Cable Sealing Backshell**  
with Strain Relief  
**Low Profile - Rotatable Coupling**



**TABLE III: ELBOW DIMENSIONS**

Shell Size		E		F		G		H	
Conn. Desig.	H	Max		Max		Max		Max	
A-F-L-S									
08	09	.457	(11.6)	1.810	(46.0)	.500	(12.7)	1.820	(46.2)
10	11	.520	(13.2)	1.869	(47.5)	.595	(15.1)	1.940	(49.3)
12	13	.582	(14.8)	1.929	(49.0)	.610	(15.5)	1.960	(49.8)
14	15	.645	(16.4)	2.359	(59.9)	.700	(17.8)	2.369	(60.2)
16	17	.738	(18.7)	2.469	(62.7)	.885	(22.5)	2.459	(62.5)
18	19	.926	(23.5)	2.659	(67.5)	.975	(24.8)	2.629	(66.8)
20	21	.926	(23.5)	2.659	(67.5)	.975	(24.8)	2.629	(66.8)
22	23	1.020	(25.9)	2.872	(72.9)	1.125	(28.6)	2.802	(71.2)
24	25	1.020	(25.9)	2.872	(72.9)	1.125	(28.6)	2.802	(71.2)
28		1.145	(29.1)	2.905	(73.8)	1.225	(31.1)	2.955	(75.1)
32		1.207	(30.7)	3.005	(76.3)	1.575	(40.0)	3.205	(81.4)
36		1.238	(31.4)	3.315	(84.2)	1.775	(45.1)	3.255	(82.7)

1. When maximum cable entry (page 21) is exceeded, Style 2 will be supplied. Dimensions E, F, G and H will not apply. Please consult factory.
2. Metric dimensions (mm) are indicated in parentheses.
3. Cable range is defined as the accommodations range for the wire bundle or cable. Dimensions shown are not intended for inspection criteria.
4. Interface O-Ring not supplied with connector designator A.
5. Consult factory for shorter lengths on straight backshells.

**TABLE X: CABLE ENTRY**

Dash No.	T Max	V Max	Cable Range	
			Min	Max
04	.780 (19.8)	.957 (24.3)	.125 (3.2)	.312 (7.9)
06	.780 (19.8)	1.145 (29.1)	.250 (6.4)	.437 (11.1)
08	.780 (19.8)	1.332 (33.8)	.387 (9.8)	.562 (14.3)
10	.780 (19.8)	1.332 (33.8)	.350 (8.9)	.625 (15.9)
12	.811 (20.6)	1.551 (39.4)	.500 (12.7)	.750 (19.1)
16	.905 (23.0)	1.770 (45.0)	.625 (15.9)	.937 (23.8)
20	1.092 (27.7)	2.113 (53.7)	.875 (22.2)	1.250 (31.8)
24	1.124 (28.5)	2.363 (60.0)	1.000 (25.4)	1.375 (34.9)
28	1.399 (35.5)	2.770 (70.4)	1.250 (31.8)	1.625 (41.3)
32	1.399 (35.5)	3.020 (76.7)	1.437 (36.5)	1.875 (47.6)

See inside back cover fold-out  
or pages 13 and 14 for  
unabridged Tables I and II.

**TABLE II: STANDARD FINISHES**

GLENAIR SYMBOL	FINISH
B	Cadmium Plate, Olive Drab
C	Anodize, Black
G	Hard Coat, Anodic
M	Electroless Nickel
NF	Cadmium Plate, Olive Drab Over Electroless Nickel
See Inside Back Cover for Additional Finish Options	

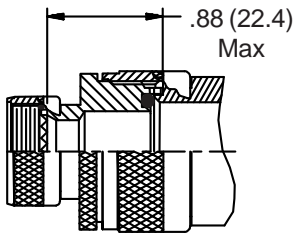
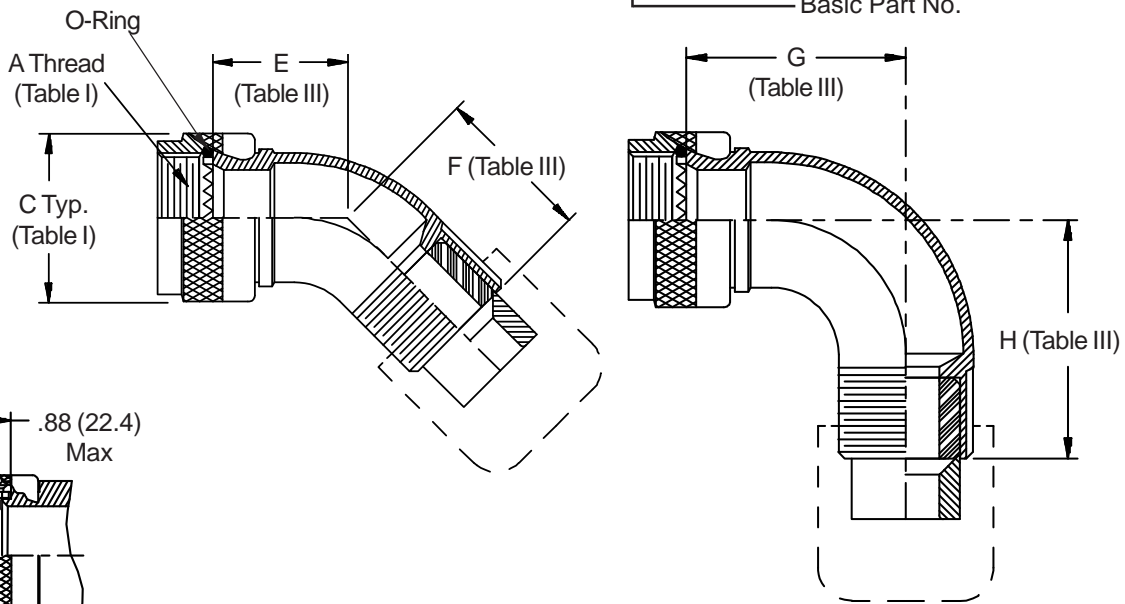
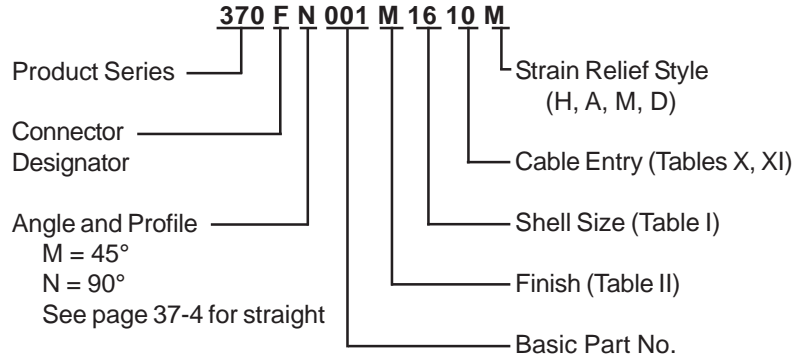
**TABLE XI: CABLE ENTRY**

Dash No.	W Max	X Max	Y Max	Z Max	Cable Range	
					Min	Max
03*	.437 (11.1)	.760 (19.3)	.843 (21.4)	.630 (16.0)	.156 (4.0)	.250 (6.4)
04*	.437 (11.1)	.760 (19.3)	.906 (23.0)	.755 (19.2)	.188 (4.8)	.312 (7.9)
06*	.500 (12.7)	.760 (19.3)	1.093 (27.8)	.942 (23.9)	.281 (7.1)	.438 (11.1)
08	.563 (14.3)	.760 (19.3)	1.187 (30.1)	1.067 (27.1)	.387 (9.8)	.562 (14.3)
10	.563 (14.3)	.760 (19.3)	1.281 (32.5)	1.192 (30.3)	.375 (9.5)	.625 (15.9)
12	.563 (14.3)	.760 (19.3)	1.500 (38.1)	1.380 (35.1)	.438 (11.1)	.750 (19.1)
16	.656 (16.7)	1.073 (27.3)	1.719 (43.7)	1.535 (39.0)	.625 (15.9)	.938 (23.8)
20	.656 (16.7)	1.323 (33.6)	2.062 (52.4)	1.848 (46.9)	.875 (22.2)	1.250 (31.8)
24	.656 (16.7)	1.323 (33.6)	2.312 (58.7)	2.255 (57.3)	1.000 (25.4)	1.375 (34.9)
28	1.188 (30.2)	1.572 (39.9)	2.719 (69.1)	2.505 (63.6)	1.250 (31.8)	1.625 (41.3)
32*	1.187 (30.1)	1.572 (39.9)	2.969 (75.4)	2.755 (70.0)	1.437 (36.5)	1.875 (47.6)
40*	1.125 (28.6)	1.572 (39.9)	3.531 (89.7)	3.255 (82.7)	1.875 (47.6)	2.375 (60.3)

\* Not available in Style M clamp.

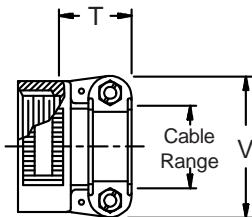


**CONNECTOR  
 DESIGNATORS  
 A-F-H-L-S  
 ROTATABLE  
 COUPLING**

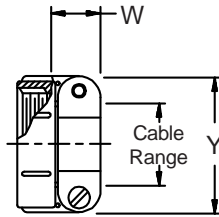


**STYLE 2**  
 (45° & 90°  
 See Note 1)

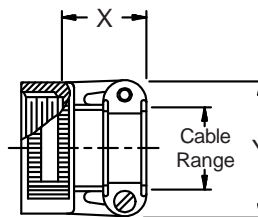
**STYLE H**  
 Heavy Duty  
 (Table X)



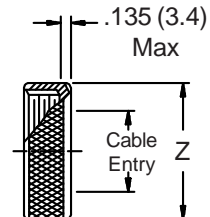
**STYLE A**  
 Medium Duty  
 (Table XI)



**STYLE M**  
 Medium Duty  
 (Table XI)

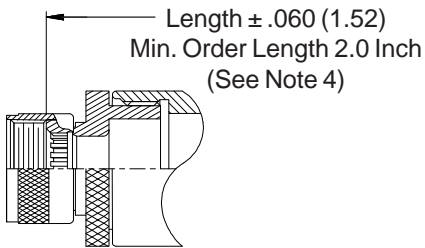
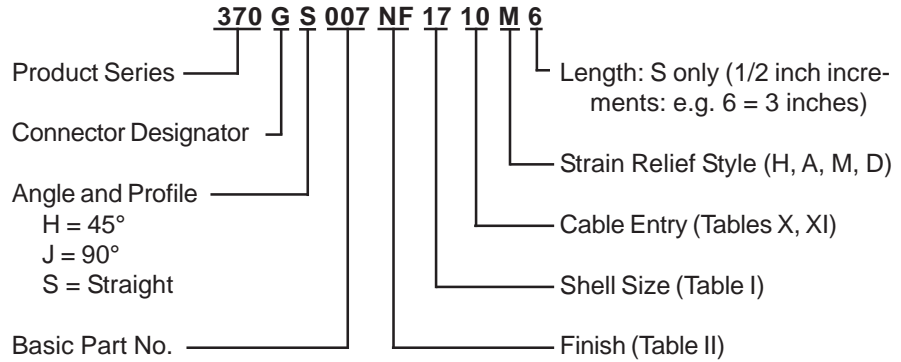


**STYLE D**  
 Medium Duty  
 (Table XI)

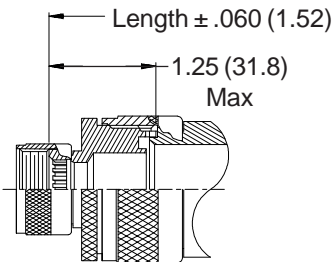
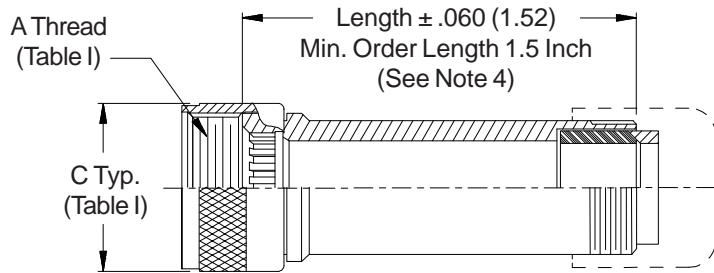




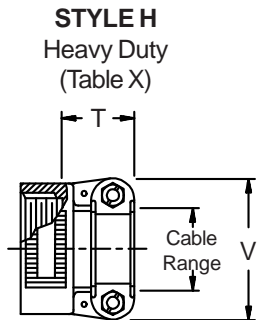
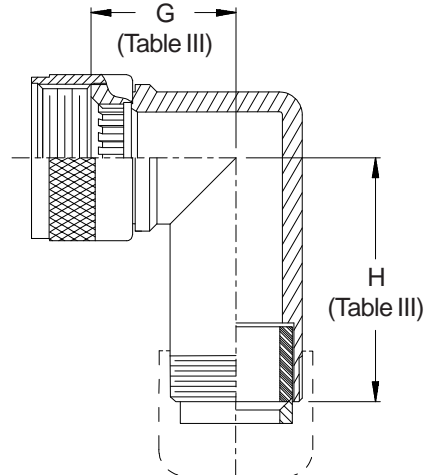
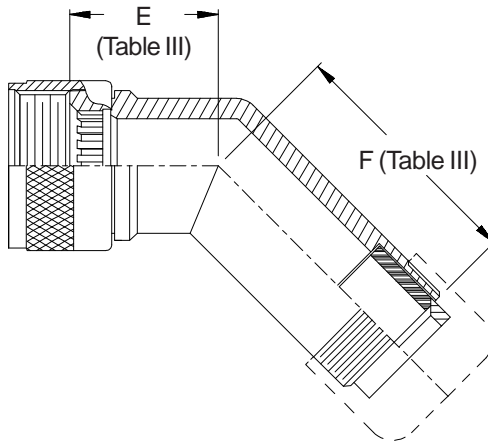
**CONNECTOR  
 DESIGNATOR**  
**G**  
**ROTATABLE  
 COUPLING**



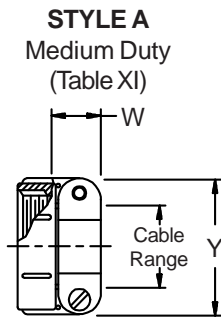
**STYLE 2  
 (STRAIGHT  
 See Note 1)**



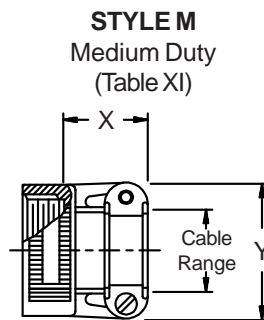
**STYLE 2  
 (45° & 90°  
 See Note 1)**



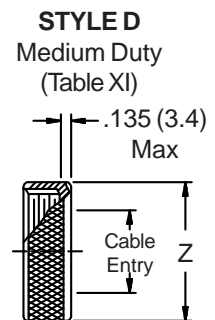
**STYLE H  
 Heavy Duty  
 (Table X)**



**STYLE A  
 Medium Duty  
 (Table XI)**



**STYLE M  
 Medium Duty  
 (Table XI)**



**STYLE D  
 Medium Duty  
 (Table XI)**

**370-007**  
**Submersible Cable Sealing Backshell**  
 with Strain Relief  
 Standard Profile - Rotatable Coupling



See inside back cover fold-out or pages 13 and 14 for unabridged Tables I and II.

Shell Size	E Max		F Max		G Max		H Max	
11	1.240	(31.5)	1.050	(26.7)	1.380	(35.1)	1.190	(30.2)
13	1.260	(32.0)	1.070	(27.2)	1.440	(36.6)	1.250	(31.8)
15	1.290	(32.8)	1.100	(27.9)	1.500	(38.1)	1.320	(33.5)
17	1.310	(33.3)	1.120	(28.4)	1.570	(39.9)	1.380	(35.1)
19	1.340	(34.0)	1.150	(29.2)	1.630	(41.4)	1.460	(37.1)
23	1.380	(35.1)	1.190	(30.2)	1.730	(43.9)	1.540	(39.1)
25	1.410	(35.8)	1.220	(31.0)	1.800	(45.7)	1.610	(40.9)
29	1.580	(40.1)	1.390	(35.3)	2.040	(51.8)	1.850	(47.0)
33	1.620	(41.1)	1.430	(36.3)	2.130	(54.1)	1.940	(49.3)

1. When maximum cable entry (page 21) is exceeded, Style 2 will be supplied. Dimensions E, F, G & H will not apply. Please consult factory.
2. Metric dimensions (mm) are indicated in parentheses.
3. Cable range is defined as the accommodations range for the wire bundle or cable. Dimensions shown are not intended for inspection criteria.
4. Consult factory for shorter lengths on straight backshells.

Dash No.	T Max	V Max	Cable Range			
			Min		Max	
04	.780 (19.8)	.957 (24.3)	.125 (3.2)	.312 (7.9)		
06	.780 (19.8)	1.145 (29.1)	.250 (6.4)	.437 (11.1)		
08	.780 (19.8)	1.332 (33.8)	.387 (9.8)	.562 (14.3)		
10	.780 (19.8)	1.332 (33.8)	.350 (8.9)	.625 (15.9)		
12	.811 (20.6)	1.551 (39.4)	.500 (12.7)	.750 (19.1)		
16	.905 (23.0)	1.770 (45.0)	.625 (15.9)	.937 (23.8)		
20	1.092 (27.7)	2.113 (53.7)	.875 (22.2)	1.250 (31.8)		
24	1.124 (28.5)	2.363 (60.0)	1.000 (25.4)	1.375 (34.9)		
28	1.399 (35.5)	2.770 (70.4)	1.250 (31.8)	1.625 (41.3)		
32	1.399 (35.5)	3.020 (76.7)	1.437 (36.5)	1.875 (47.6)		

GLENAIR SYMBOL	FINISH
B	Cadmium Plate, Olive Drab
C	Anodize, Black
G	Hard Coat, Anodic
M	Electroless Nickel
NF	Cadmium Plate, Olive Drab Over Electroless Nickel

See Inside Back Cover for Additional Finish Options

Dash No.	W Max	X Max	Y Max	Z Max	Cable Range			
					Min **		Max	
03*	.437 (11.1)	.760 (19.3)	.843 (21.4)	.630 (16.0)	.156 (4.0)	.250 (6.4)		
04*	.437 (11.1)	.760 (19.3)	.906 (23.0)	.755 (19.2)	.188 (4.8)	.312 (7.9)		
06*	.500 (12.7)	.760 (19.3)	1.093 (27.8)	.942 (23.9)	.281 (7.1)	.438 (11.1)		
08	.563 (14.3)	.760 (19.3)	1.187 (30.1)	1.067 (27.1)	.387 (9.8)	.562 (14.3)		
10	.563 (14.3)	.760 (19.3)	1.281 (32.5)	1.192 (30.3)	.375 (9.5)	.625 (15.9)		
12	.563 (14.3)	.760 (19.3)	1.500 (38.1)	1.380 (35.1)	.438 (11.1)	.750 (19.1)		
16	.656 (16.7)	1.073 (27.3)	1.719 (43.7)	1.535 (39.0)	.625 (15.9)	.938 (23.8)		
20	.656 (16.7)	1.323 (33.6)	2.062 (52.4)	1.848 (46.9)	.875 (22.2)	1.250 (31.8)		
24	.656 (16.7)	1.323 (33.6)	2.312 (58.7)	2.255 (57.3)	1.000 (25.4)	1.375 (34.9)		
28	1.188 (30.2)	1.572 (39.9)	2.719 (69.1)	2.505 (63.6)	1.250 (31.8)	1.625 (41.3)		
32*	1.187 (30.1)	1.572 (39.9)	2.969 (75.4)	2.755 (70.0)	1.437 (36.5)	1.875 (47.6)		
40*	1.125 (28.6)	1.572 (39.9)	3.531 (89.7)	3.255 (82.7)	1.875 (47.6)	2.375 (60.3)		

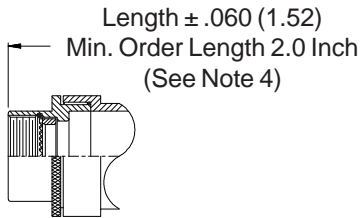
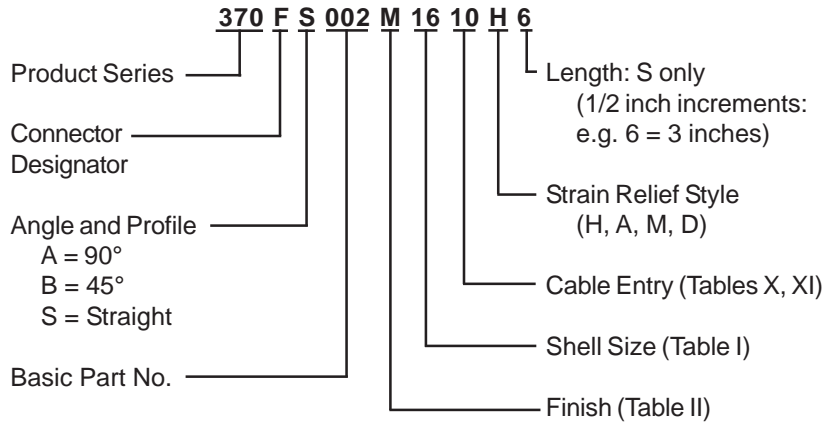
\* Not available in Style M clamp.      \*\* Not Applicable Style D

**-445** Add "-445" to Specify Glenair's Non-Detent, ("NESTOR") Spring-Loaded, Self-Locking Coupling. See Page 41 for Details.

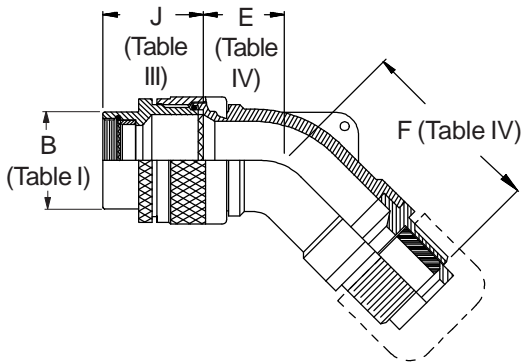
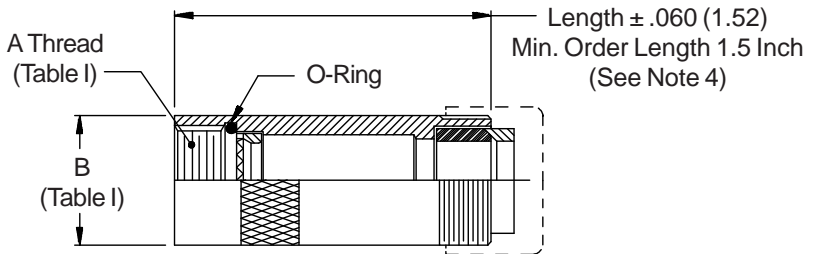
# 370-002 Submersible Cable Sealing Backshell with Strain Relief Low Profile - Direct Coupling

## CONNECTOR DESIGNATORS **A-B\*-C-D-E-F** **G-H-J-K-L-S**

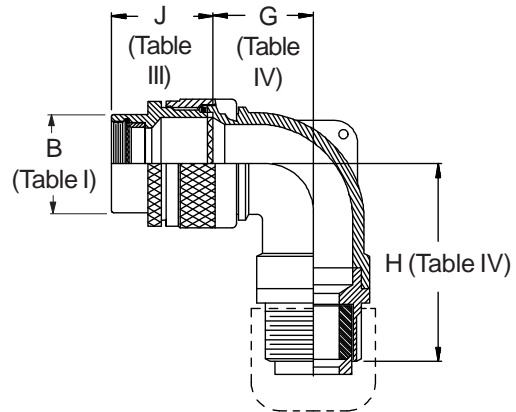
\* Conn. Desig. B See Note 5  
**DIRECT  
COUPLING**



**STYLE 2  
(STRAIGHT  
See Note 1)**



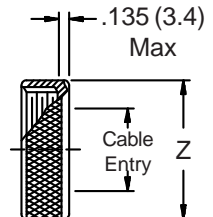
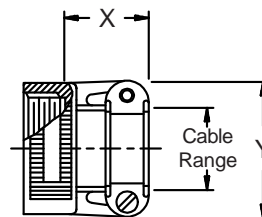
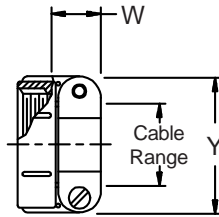
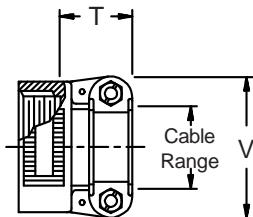
**STYLE H  
Heavy Duty  
(Table X)**



**STYLE A  
Medium Duty  
(Table XI)**

**STYLE M  
Medium Duty  
(Table XI)**

**STYLE D  
Medium Duty  
(Table XI)**



**370-002**  
**Submersible Cable Sealing Backshell**  
with Strain Relief  
**Low Profile - Direct Coupling**



**TABLE III: FRONT ADAPTER**

Shell Size	J Max - Conn. Designator		
	A-E-F		
	J-H-L-S	D-B-G-K	C
08/09	1.180 (30.0)	1.440 (36.6)	
10/11	1.180 (30.0)	1.440 (36.6)	
12/13	1.180 (30.0)	1.440 (36.6)	1.735 (44.1)
14/15	1.180 (30.0)	1.440 (36.6)	1.915 (48.6)
16/17	1.380 (35.0)	1.560 (39.6)	1.915 (48.6)
18/19	1.380 (35.0)	1.560 (39.6)	1.915 (48.6)
20/21	1.380 (35.0)	1.560 (39.6)	1.915 (48.6)
22/23	1.380 (35.0)	1.560 (39.6)	1.915 (48.6)
24/25	1.380 (35.0)	1.560 (39.6)	1.915 (48.6)
28/29	1.610 (40.9)	1.560 (39.6)	1.915 (48.6)
32/33	1.610 (40.9)	1.750 (44.5)	1.915 (48.6)
36	1.610 (40.9)	1.750 (44.5)	1.915 (48.6)
40	1.610 (40.9)	2.190 (55.6)	1.915 (48.6)

See inside back cover fold-out or pages 13 and 14 for unabridged Tables I and II.

**TABLE IV: ELBOW DIMENSIONS**

Elbow Size	E Max	F Max	G Max	H Max
04	.567 (14.4)	1.399 (35.5)	.636 (16.2)	1.412 (35.9)
06	.630 (16.0)	1.462 (37.1)	.710 (18.0)	1.532 (38.9)
08	.692 (17.6)	1.524 (38.7)	.731 (18.6)	1.552 (39.4)
10	.755 (19.2)	1.957 (49.7)	.825 (21.0)	1.962 (49.8)
12	.848 (21.5)	2.067 (52.5)	.988 (25.1)	2.052 (52.1)
16	1.036 (26.3)	2.254 (57.3)	1.087 (27.6)	2.227 (56.6)
20	1.130 (28.7)	2.463 (62.6)	1.325 (33.7)	2.395 (60.8)
24	1.255 (31.9)	2.503 (63.6)	1.337 (34.0)	2.548 (64.7)
28	1.317 (33.5)	2.598 (66.0)	1.827 (46.4)	2.798 (71.1)
32	1.348 (34.2)	2.813 (71.5)	2.027 (51.5)	2.818 (71.6)

**TABLE X: CABLE ENTRY**

Dash No.	T Max	V Max	Cable Range	
			Min	Max
04	.780 (19.8)	.957 (24.3)	.125 (3.2)	.312 (7.9)
06	.780 (19.8)	1.145 (29.1)	.250 (6.4)	.437 (11.1)
08	.780 (19.8)	1.332 (33.8)	.387 (9.8)	.562 (14.3)
10	.780 (19.8)	1.332 (33.8)	.350 (8.9)	.625 (15.9)
12	.811 (20.6)	1.551 (39.4)	.500 (12.7)	.750 (19.1)
16	.905 (23.0)	1.770 (45.0)	.625 (15.9)	.937 (23.8)
20	1.092 (27.7)	2.113 (53.7)	.875 (22.2)	1.250 (31.8)
24	1.124 (28.5)	2.363 (60.0)	1.000 (25.4)	1.375 (34.9)
28	1.399 (35.5)	2.770 (70.4)	1.250 (31.8)	1.625 (41.3)
32	1.399 (35.5)	3.020 (76.7)	1.437 (36.5)	1.875 (47.6)

**TABLE II: STANDARD FINISHES**

GLENAIR SYMBOL	FINISH
B	Cadmium Plate, Olive Drab
C	Anodize, Black
G	Hard Coat, Anodic
M	Electroless Nickel
NF	Cadmium Plate, Olive Drab Over Electroless Nickel

- When maximum cable entry (page 22) is exceeded, Style 2 will be supplied. (Function S only.)
- Metric dimensions (mm) are indicated in parentheses.
- Cable range is defined as the accommodations range for the wire bundle or

cable. Dimensions shown are not intended for inspection criteria.

- Consult factory for shorter lengths on straight backshells.
- When using Connector Designator B refer to pages 18 and 19 for part number development.

**TABLE XI: CABLE ENTRY**

Dash No.	W Max	X Max	Y Max	Z Max	Cable Range	
					Min**	Max
03*	.437 (11.1)	.760 (19.3)	.843 (21.4)	.630 (16.0)	.156 (4.0)	.250 (6.4)
04*	.437 (11.1)	.760 (19.3)	.906 (23.0)	.755 (19.2)	.188 (4.8)	.312 (7.9)
06*	.500 (12.7)	.760 (19.3)	1.093 (27.8)	.942 (23.9)	.281 (7.1)	.438 (11.1)
08	.563 (14.3)	.760 (19.3)	1.187 (30.1)	1.067 (27.1)	.387 (9.8)	.562 (14.3)
10	.563 (14.3)	.760 (19.3)	1.281 (32.5)	1.192 (30.3)	.375 (9.5)	.625 (15.9)
12	.563 (14.3)	.760 (19.3)	1.500 (38.1)	1.380 (35.1)	.438 (11.1)	.750 (19.1)
16	.656 (16.7)	1.073 (27.3)	1.719 (43.7)	1.535 (39.0)	.625 (15.9)	.938 (23.8)
20	.656 (16.7)	1.323 (33.6)	2.062 (52.4)	1.848 (46.9)	.875 (22.2)	1.250 (31.8)
24	.656 (16.7)	1.323 (33.6)	2.312 (58.7)	2.255 (57.3)	1.000 (25.4)	1.375 (34.9)
28	1.188 (30.2)	1.572 (39.9)	2.719 (69.1)	2.505 (63.6)	1.250 (31.8)	1.625 (41.3)
32*	1.187 (30.1)	1.572 (39.9)	2.969 (75.4)	2.755 (70.0)	1.437 (36.5)	1.875 (47.6)
40*	1.125 (28.6)	1.572 (39.9)	3.531 (89.7)	3.255 (82.7)	1.875 (47.6)	2.375 (60.3)

\* Not available in Style M clamp.

\*\* Not Applicable Style D

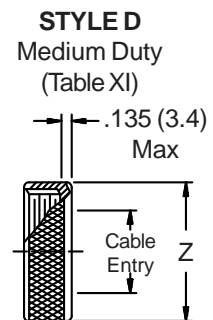
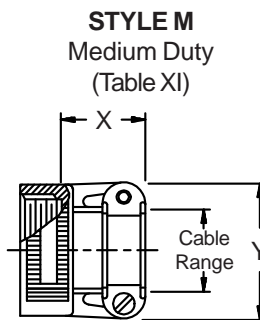
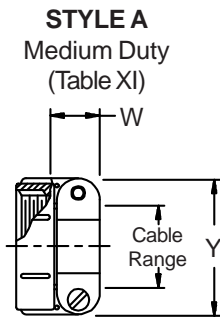
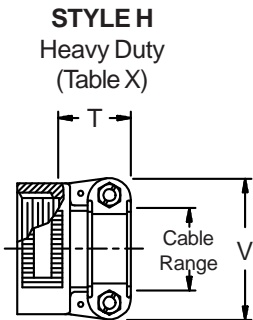
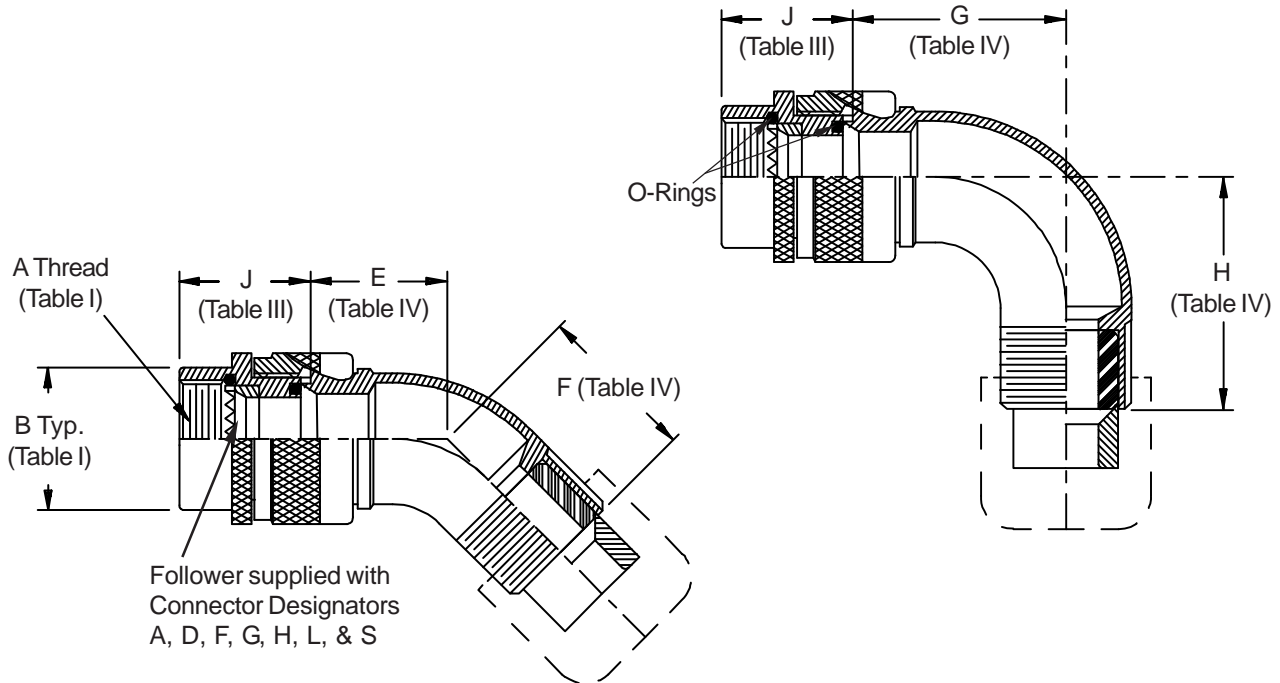
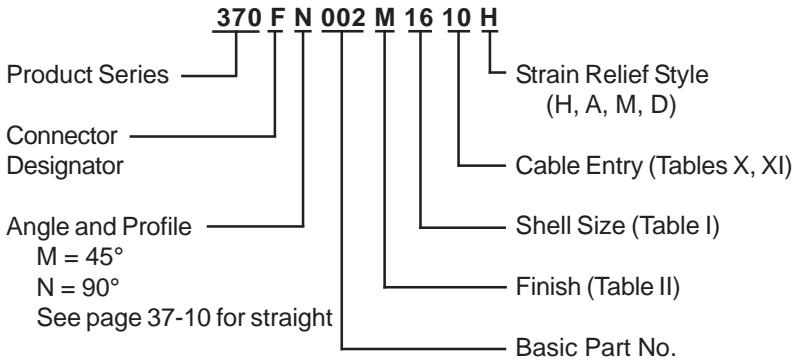


**370-002**  
**Submersible Cable Sealing Backshell**  
 with Strain Relief  
 Full Radius Profile - Direct Coupling

**CONNECTOR  
 DESIGNATORS**  
**A-B\*-C-D-E-F**  
**G-H-J-K-L-S**

\* Conn. Desig. B See Note 3

**DIRECT  
 COUPLING**



**370-002**  
**Submersible Cable Sealing Backshell**  
with Strain Relief  
**Full Radius Profile - Direct Coupling**



**TABLE III: FRONT ADAPTER**

Shell Size	J Max - Conn. Designator		
	A-E-F		
	J-H-L-S	D-B-G-K	C
08/09	1.180 (30.0)	1.440 (36.6)	
10/11	1.180 (30.0)	1.440 (36.6)	
12/13	1.180 (30.0)	1.440 (36.6)	1.735 (44.1)
14/15	1.180 (30.0)	1.440 (36.6)	1.915 (48.6)
16/17	1.380 (35.0)	1.560 (39.6)	1.915 (48.6)
18/19	1.380 (35.0)	1.560 (39.6)	1.915 (48.6)
20/21	1.380 (35.0)	1.560 (39.6)	1.915 (48.6)
22/23	1.380 (35.0)	1.560 (39.6)	1.915 (48.6)
24/25	1.380 (35.0)	1.560 (39.6)	1.915 (48.6)
28/29	1.610 (40.9)	1.560 (39.6)	1.915 (48.6)
32/33	1.610 (40.9)	1.750 (44.5)	1.915 (48.6)
36	1.610 (40.9)	1.750 (44.5)	1.915 (48.6)
40	1.610 (40.9)	2.190 (55.6)	1.915 (48.6)

See inside back cover fold-out or pages 13 and 14 for unabridged Tables I and II.

**TABLE IV: ELBOW DIMENSIONS**

Elbow Size	E Max	F Max	G Max	H Max
03	.817 (20.8)	1.127 (28.6)	1.125 (28.6)	1.445 (36.7)
04	.861 (21.9)	1.181 (30.0)	1.250 (31.8)	1.570 (39.9)
06	.911 (23.1)	1.231 (31.3)	1.375 (34.9)	1.695 (43.1)
08	.965 (24.5)	1.285 (32.6)	1.500 (38.1)	1.820 (46.2)
10	1.014 (25.8)	1.334 (33.9)	1.625 (41.3)	1.945 (49.4)
12	1.064 (27.0)	1.384 (35.2)	1.750 (44.5)	2.070 (52.6)
16	1.172 (29.8)	1.492 (37.9)	2.000 (50.8)	2.320 (58.9)
20	1.325 (33.7)	1.645 (41.8)	2.375 (60.3)	2.695 (68.5)
24	1.325 (33.7)	1.645 (41.8)	2.375 (60.3)	2.695 (68.5)
28	1.428 (36.3)	1.748 (44.4)	2.625 (66.7)	2.945 (74.8)

**TABLE X: CABLE ENTRY**

Dash No.	T Max	V Max	Cable Range			
			Min		Max	
04	.780 (19.8)	.957 (24.3)	.125 (3.2)	.312 (7.9)		
06	.780 (19.8)	1.145 (29.1)	.250 (6.4)	.437 (11.1)		
08	.780 (19.8)	1.332 (33.8)	.387 (9.8)	.562 (14.3)		
10	.780 (19.8)	1.332 (33.8)	.350 (8.9)	.625 (15.9)		
12	.811 (20.6)	1.551 (39.4)	.500 (12.7)	.750 (19.1)		
16	.905 (23.0)	1.770 (45.0)	.625 (15.9)	.937 (23.8)		
20	1.092 (27.7)	2.113 (53.7)	.875 (22.2)	1.250 (31.8)		
24	1.124 (28.5)	2.363 (60.0)	1.000 (25.4)	1.375 (34.9)		
28	1.399 (35.5)	2.770 (70.4)	1.250 (31.8)	1.625 (41.3)		
32	1.399 (35.5)	3.020 (76.7)	1.437 (36.5)	1.875 (47.6)		

**TABLE II: STANDARD FINISHES**

GLENAIR SYMBOL	FINISH
B	Cadmium Plate, Olive Drab
C	Anodize, Black
G	Hard Coat, Anodic
M	Electroless Nickel
NF	Cadmium Plate, Olive Drab Over Electroless Nickel

- Metric dimensions (mm) are indicated in parentheses.
- Cable range is defined as the accommodation range for the wire bundle or cable.

**TABLE XI: CABLE ENTRY**

Dash No.	W Max	X Max	Y Max	Z Max	Cable Range	
					Min**	Max
03*	.437 (11.1)	.760 (19.3)	.843 (21.4)	.630 (16.0)	.156 (4.0)	.250 (6.4)
04*	.437 (11.1)	.760 (19.3)	.906 (23.0)	.755 (19.2)	.188 (4.8)	.312 (7.9)
06*	.500 (12.7)	.760 (19.3)	1.093 (27.8)	.942 (23.9)	.281 (7.1)	.438 (11.1)
08	.563 (14.3)	.760 (19.3)	1.187 (30.1)	1.067 (27.1)	.387 (9.8)	.562 (14.3)
10	.563 (14.3)	.760 (19.3)	1.281 (32.5)	1.192 (30.3)	.375 (9.5)	.625 (15.9)
12	.563 (14.3)	.760 (19.3)	1.500 (38.1)	1.380 (35.1)	.438 (11.1)	.750 (19.1)
16	.656 (16.7)	1.073 (27.3)	1.719 (43.7)	1.535 (39.0)	.625 (15.9)	.938 (23.8)
20	.656 (16.7)	1.323 (33.6)	2.062 (52.4)	1.848 (46.9)	.875 (22.2)	1.250 (31.8)
24	.656 (16.7)	1.323 (33.6)	2.312 (58.7)	2.255 (57.3)	1.000 (25.4)	1.375 (34.9)
28	1.188 (30.2)	1.572 (39.9)	2.719 (69.1)	2.505 (63.6)	1.250 (31.8)	1.625 (41.3)
32*	1.187 (30.1)	1.572 (39.9)	2.969 (75.4)	2.755 (70.0)	1.437 (36.5)	1.875 (47.6)
40*	1.125 (28.6)	1.572 (39.9)	3.531 (89.7)	3.255 (82.7)	1.875 (47.6)	2.375 (60.3)

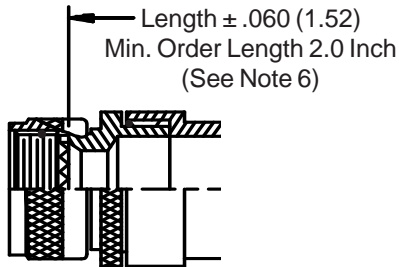
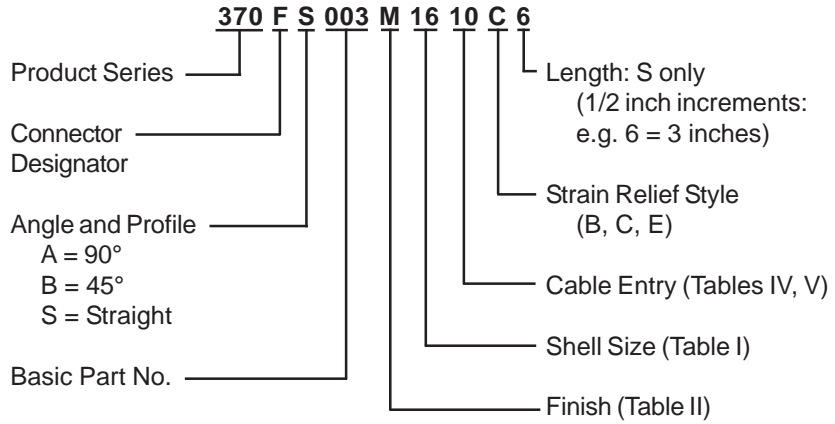
\* Not available in Style M clamp.

\*\* Not Applicable Style D

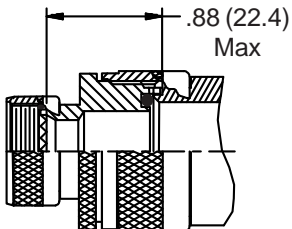
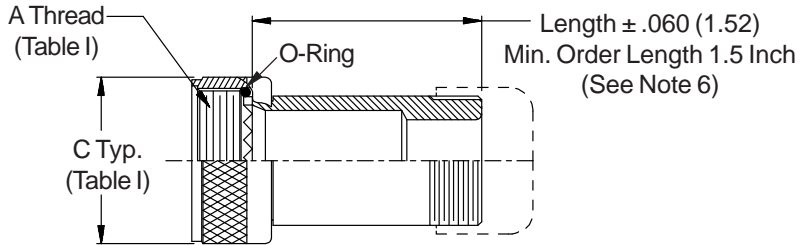
- Dimensions shown are not intended for inspection criteria.
- When using Connector Designator B refer to pages 18 and 19 for part number development.

**370-003**  
**Water-Tight Cable Sealing Backshell**  
**with Strain Relief**  
**Low Profile - Rotatable Coupling**

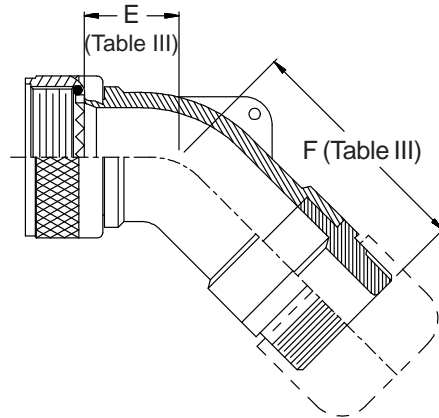
**CONNECTOR**  
**DESIGNATORS**  
**A-F-H-L-S**  
**ROTATABLE**  
**COUPLING**



**STYLE 2**  
**(STRAIGHT**  
**See Note 1)**

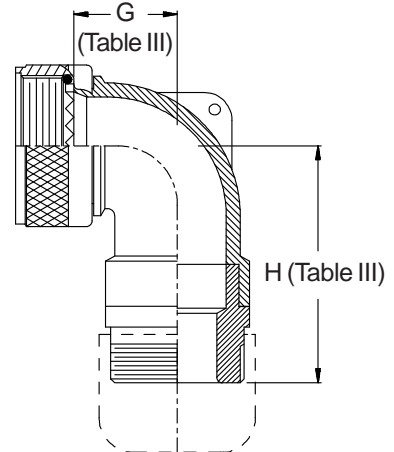


**STYLE 2**  
**(45° & 90°**  
**See Note 1)**

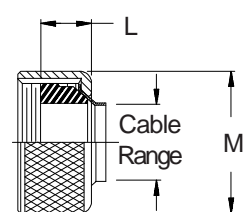
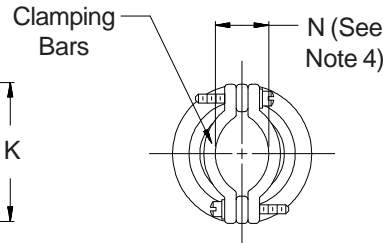
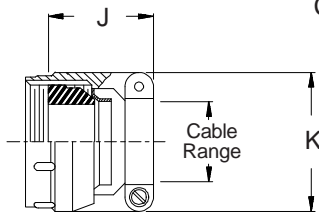
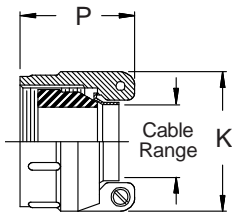


**STYLE B**  
**(Table IV)**

**STYLE C**  
**Medium Duty**  
**(Table IV)**



**STYLE E**  
**Medium Duty**  
**(Table V)**



**370-003**  
**Water-Tight Cable Sealing Backshell**  
with Strain Relief  
**Low Profile - Rotatable Coupling**



See inside back cover fold-out or pages 13 and 14 for unabridged Tables I and II.

TABLE IV: CABLE ENTRY												
Dash No.	J		K		N		Cable Range			P		
	Max		Max		Ref		Min	Max	Max			
03	1.219	(31.0)	.812	(20.6)	.135	(3.4)	.156	(4.0)	.219	(5.6)	1.031	(26.2)
04	1.219	(31.0)	.937	(23.8)	.203	(5.2)	.188	(4.8)	.312	(7.9)	1.031	(26.2)
06	1.219	(31.0)	1.062	(27.0)	.285	(7.2)	.281	(7.1)	.438	(11.1)	1.031	(26.2)
08	1.219	(31.0)	1.188	(30.2)	.350	(8.9)	.312	(7.9)	.531	(13.5)	1.031	(26.2)
10	1.281	(32.5)	1.312	(33.3)	.390	(9.9)	.375	(9.5)	.625	(15.9)	1.094	(27.8)
12	1.281	(32.5)	1.562	(39.7)	.460	(11.7)	.500	(12.7)	.750	(19.1)	1.219	(31.0)
16	1.406	(35.7)	1.750	(44.5)	.510	(13.0)	.625	(15.9)	.938	(23.8)	1.219	(31.0)
20	1.656	(42.1)	2.250	(57.2)	.695	(17.7)	.938	(23.8)	1.250	(31.8)	1.344	(34.1)
24	1.906	(48.4)	2.375	(60.3)	.715	(18.2)	1.000	(25.4)	1.375	(34.9)	1.547	(39.3)
28	1.906	(48.4)	2.625	(66.7)	.915	(23.2)	1.250	(31.8)	1.625	(41.3)	1.547	(39.3)
32	2.000	(50.8)	2.812	(71.4)	1.070	(27.2)	1.500	(38.1)	1.875	(47.6)	1.734	(44.0)

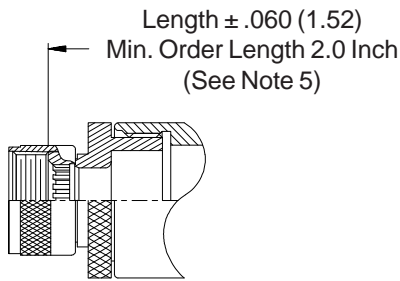
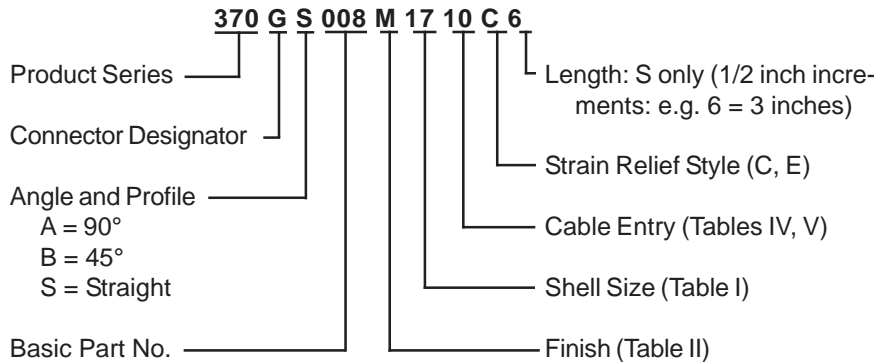
TABLE III: ELBOW DIMENSIONS									
Shell Size Conn. Desig.		E		F		G		H	
A-F-L-S	H	Max		Max		Max		Max	
08	09	.457	(11.6)	1.810	(46.0)	.500	(12.7)	1.820	(46.2)
10	11	.520	(13.2)	1.869	(47.5)	.595	(15.1)	1.940	(49.3)
12	13	.582	(14.8)	1.929	(49.0)	.610	(15.5)	1.960	(49.8)
14	15	.645	(16.4)	2.359	(59.9)	.700	(17.8)	2.369	(60.2)
16	17	.738	(18.7)	2.469	(62.7)	.885	(22.5)	2.459	(62.5)
18	19	.926	(23.5)	2.659	(67.5)	.975	(24.8)	2.629	(66.8)
20	21	.926	(23.5)	2.659	(67.5)	.975	(24.8)	2.629	(66.8)
22	23	1.020	(25.9)	2.872	(72.9)	1.125	(28.6)	2.802	(71.2)
24	25	1.020	(25.9)	2.872	(72.9)	1.125	(28.6)	2.802	(71.2)
28		1.145	(29.1)	2.905	(73.8)	1.225	(31.1)	2.955	(75.1)
32		1.207	(30.7)	3.005	(76.3)	1.575	(40.0)	3.205	(81.4)
36		1.238	(31.4)	3.315	(84.2)	1.775	(45.1)	3.255	(82.7)

TABLE II: STANDARD FINISHES	
GLENAIR SYMBOL	FINISH
B	Cadmium Plate, Olive Drab
C	Anodize, Black
G	Hard Coat, Anodic
M	Electroless Nickel
NF	Cadmium Plate, Olive Drab Over Electroless Nickel
See Inside Back Cover for Additional Finish Options	

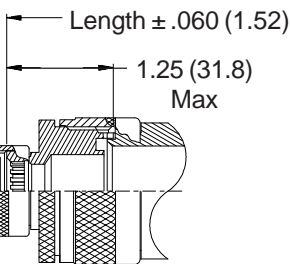
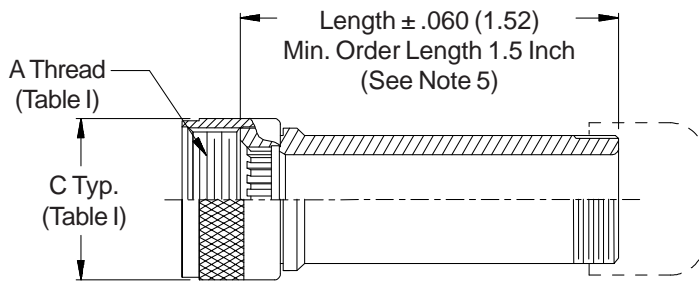
1. When maximum cable entry (page 21) is exceeded, Style 2 will be supplied. Dimensions E, F, G and H will not apply. Please consult factory.
2. Metric dimensions (mm) are indicated in parentheses.
3. Cable range is defined as the accommodations range for the wire bundle or cable. Dimensions shown are not intended for inspection criteria.
4. Saddles are bottomed on Clamp Ears.
5. Interface O-Ring not supplied with Connector Designator A.
6. Consult factory for shorter lengths on straight backshells.

TABLE V: CABLE ENTRY								
Dash No.	L		M		Cable Range			
	Max		Max		Min	Max		
03	.739	(18.8)	.812	(20.6)	.156	(4.0)	.219	(5.6)
04	.739	(18.8)	.937	(23.8)	.188	(4.8)	.312	(7.9)
06	.739	(18.8)	1.062	(27.0)	.281	(7.1)	.438	(11.1)
08	.739	(18.8)	1.188	(30.2)	.312	(7.9)	.531	(13.5)
10	.791	(20.1)	1.312	(33.3)	.375	(9.5)	.625	(15.9)
12	.880	(22.4)	1.562	(39.7)	.500	(12.7)	.750	(19.1)
16	.901	(22.9)	1.750	(44.5)	.625	(15.9)	.938	(23.8)
20	1.031	(26.2)	2.250	(57.2)	.938	(23.8)	1.250	(31.8)
24	1.250	(31.8)	2.375	(60.3)	1.000	(25.4)	1.375	(34.9)
28	1.250	(31.8)	2.625	(66.7)	1.250	(31.8)	1.625	(41.3)
32	1.312	(33.3)	2.812	(71.4)	1.500	(38.1)	1.875	(47.6)

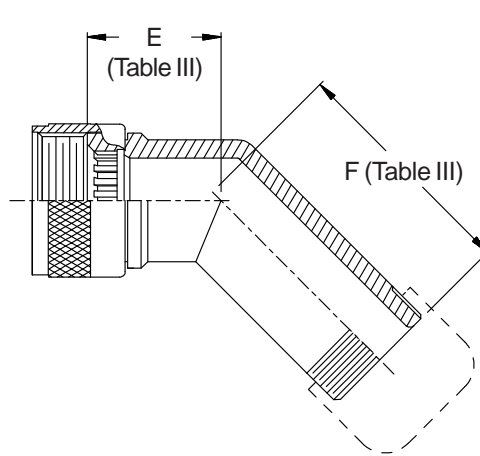
**CONNECTOR  
 DESIGNATOR**  
**G**  
**ROTATABLE  
 COUPLING**



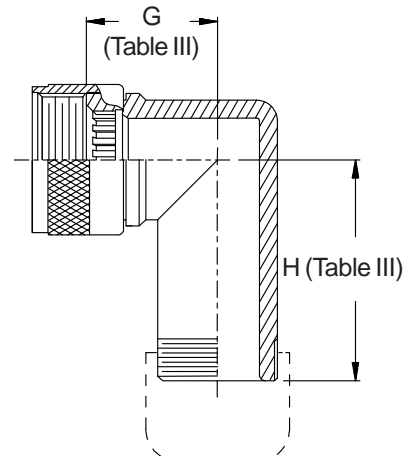
**STYLE 2  
 (STRAIGHT  
 See Note 1)**



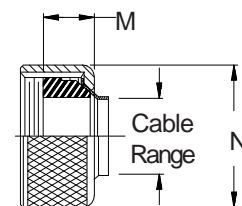
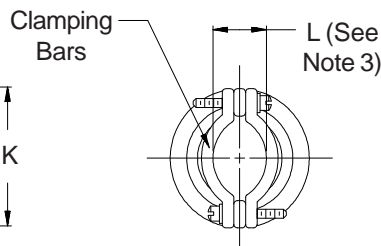
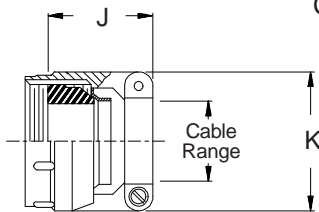
**STYLE 2  
 (45° & 90°  
 See Note 1)**



**STYLE C  
 Medium Duty  
 (Table IV)**



**STYLE E  
 Medium Duty  
 (Table V)**



**370-008**  
**Water-Tight Cable Sealing Backshell**  
 with Strain Relief  
 Standard Profile - Rotatable Coupling



See inside back cover fold-out or pages 13 and 14 for unabridged Tables I and II.

Shell Size	E Max	F Max	G Max	H Max
11	1.240 (31.5)	.920 (23.4)	1.380 (35.1)	1.060 (26.9)
13	1.260 (32.0)	.940 (23.9)	1.440 (36.6)	1.120 (28.4)
15	1.290 (32.8)	.970 (24.6)	1.500 (38.1)	1.190 (30.2)
17	1.310 (33.3)	.990 (25.1)	1.570 (39.9)	1.250 (31.8)
19	1.340 (34.0)	1.020 (25.9)	1.630 (41.4)	1.330 (33.8)
23	1.380 (35.1)	1.060 (26.9)	1.730 (43.9)	1.410 (35.8)
25	1.410 (35.8)	1.090 (27.7)	1.800 (45.7)	1.480 (37.6)
29	1.580 (40.1)	1.260 (32.0)	2.040 (51.8)	1.720 (43.7)
33	1.620 (41.1)	1.300 (33.0)	2.130 (54.1)	1.810 (46.0)

GLENAIR SYMBOL	FINISH
B	Cadmium Plate, Olive Drab
C	Anodize, Black
G	Hard Coat, Anodic
M	Electroless Nickel
NF	Cadmium Plate, Olive Drab Over Electroless Nickel

See Inside Back Cover for Additional Finish Options

Dash No.	J Max	K Max	L Ref	Cable Range	
				Min	Max
03	1.219 (31.0)	.812 (20.6)	.135 (3.4)	.156 (4.0)	.219 (5.6)
04	1.219 (31.0)	.937 (23.8)	.203 (5.2)	.188 (4.8)	.312 (7.9)
06	1.219 (31.0)	1.062 (27.0)	.285 (7.2)	.281 (7.1)	.438 (11.1)
08	1.219 (31.0)	1.188 (30.2)	.350 (8.9)	.312 (7.9)	.531 (13.5)
10	1.281 (32.5)	1.312 (33.3)	.390 (9.9)	.375 (9.5)	.625 (15.9)
12	1.281 (32.5)	1.562 (39.7)	.460 (11.7)	.500 (12.7)	.750 (19.1)
16	1.406 (35.7)	1.750 (44.5)	.510 (13.0)	.625 (15.9)	.938 (23.8)
20	1.656 (42.1)	2.250 (57.2)	.695 (17.7)	.938 (23.8)	1.250 (31.8)
24	1.906 (48.4)	2.375 (60.3)	.715 (18.2)	1.000 (25.4)	1.375 (34.9)
28	1.906 (48.4)	2.625 (66.7)	.915 (23.2)	1.250 (31.8)	1.625 (41.3)
32	2.000 (50.8)	2.812 (71.4)	1.070 (27.2)	1.500 (38.1)	1.875 (47.6)

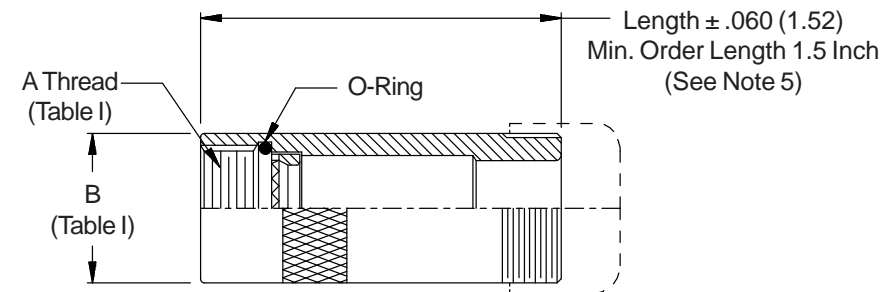
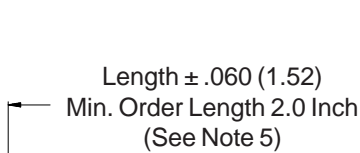
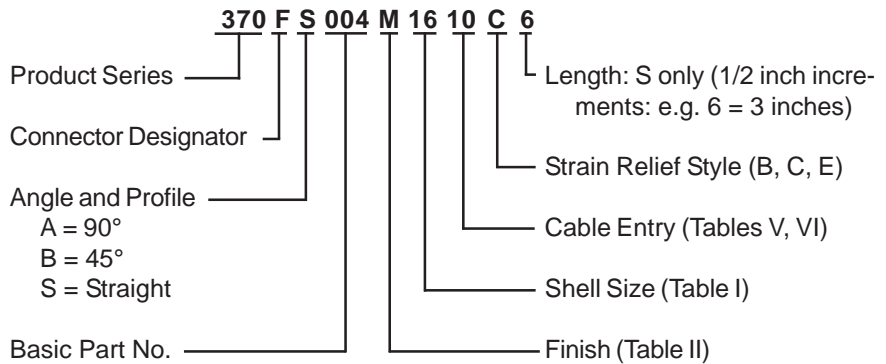
Dash No.	M Max	N Max	Cable Range	
			Min	Max
03	.739 (18.8)	.812 (20.6)	.156 (4.0)	.219 (5.6)
04	.739 (18.8)	.937 (23.8)	.188 (4.8)	.312 (7.9)
06	.739 (18.8)	1.062 (27.0)	.281 (7.1)	.438 (11.1)
08	.739 (18.8)	1.188 (30.2)	.312 (7.9)	.531 (13.5)
10	.791 (20.1)	1.312 (33.3)	.375 (9.5)	.625 (15.9)
12	.880 (22.4)	1.562 (39.7)	.500 (12.7)	.750 (19.1)
16	.901 (22.9)	1.750 (44.5)	.625 (15.9)	.938 (23.8)
20	1.031 (26.2)	2.250 (57.2)	.938 (23.8)	1.250 (31.8)
24	1.250 (31.8)	2.375 (60.3)	1.000 (25.4)	1.375 (34.9)
28	1.250 (31.8)	2.625 (66.7)	1.250 (31.8)	1.625 (41.3)
32	1.312 (33.3)	2.812 (71.4)	1.500 (38.1)	1.875 (47.6)

1. When maximum cable entry (page 21) is exceeded, Style 2 will be supplied. Dimensions E, F, G & H will not apply. Please consult factory.
2. Metric dimensions (mm) are indicated in parentheses.
3. Saddles are bottomed on Clamp Ears.
4. Cable range is defined as the accommodations range for the wire bundle or cable. Dimensions shown are not intended for inspection criteria.
5. Consult factory for shorter lengths on straight backshells.

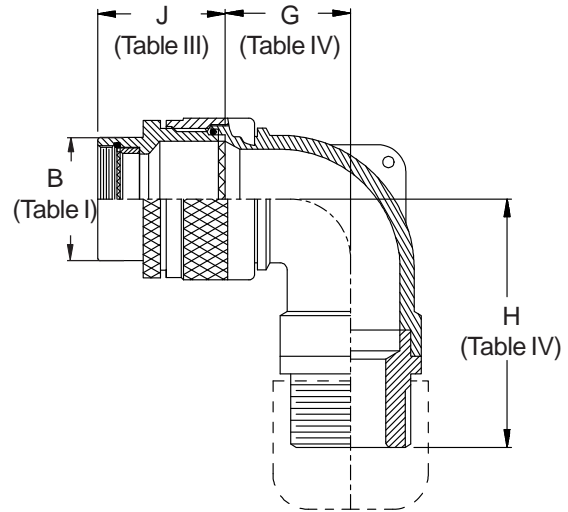
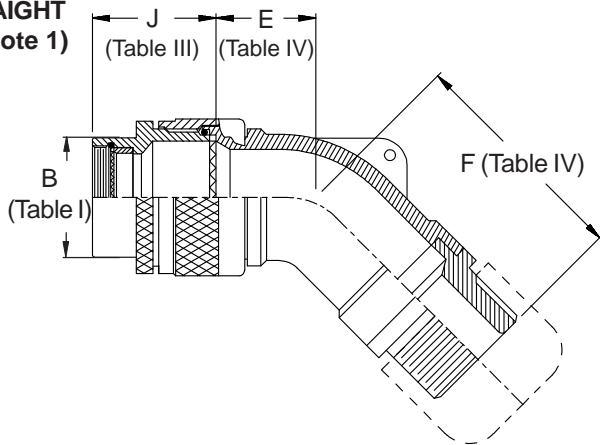
**-445** Add "-445" to Specify Glenair's Non-Detent, ("NESTOR") Spring-Loaded, Self-Locking Coupling. See Page 41 for Details.



**CONNECTOR DESIGNATORS**  
**A-B\*-C-D-E-F**  
**G-H-J-K-L-S**  
 \* Conn. Desig. B See Note 6  
**DIRECT COUPLING**



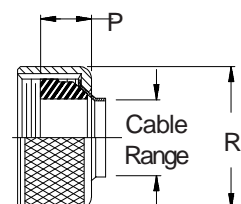
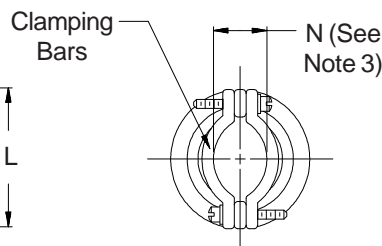
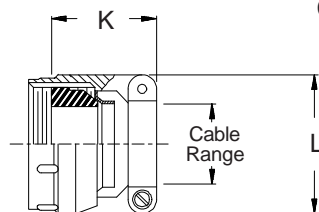
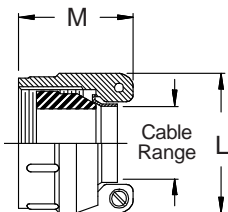
**STYLE 2**  
**(STRAIGHT)**  
 See Note 1)



**STYLE B**  
 (Table V)

**STYLE C**  
 Medium Duty  
 (Table V)

**STYLE E**  
 Medium Duty  
 (Table VI)



**370-004**  
**Water-Tight Cable Sealing Backshell**  
 with Strain Relief  
 Low Profile - Direct Coupling



**TABLE III: FRONT ADAPTER**

Shell Size	J Max - Conn. Designator		
	A-E-F J-H-L-S	D-B-G-K	C
08/09	1.180 (30.0)	1.440 (36.6)	
10/11	1.180 (30.0)	1.440 (36.6)	
12/13	1.180 (30.0)	1.440 (36.6)	1.735 (44.1)
14/15	1.180 (30.0)	1.440 (36.6)	1.915 (48.6)
16/17	1.380 (35.0)	1.560 (39.6)	1.915 (48.6)
18/19	1.380 (35.0)	1.560 (39.6)	1.915 (48.6)
20/21	1.380 (35.0)	1.560 (39.6)	1.915 (48.6)
22/23	1.380 (35.0)	1.560 (39.6)	1.915 (48.6)
24/25	1.380 (35.0)	1.560 (39.6)	1.915 (48.6)
28/29	1.610 (40.9)	1.560 (39.6)	1.915 (48.6)
32/33	1.610 (40.9)	1.750 (44.5)	1.915 (48.6)
36	1.610 (40.9)	1.750 (44.5)	1.915 (48.6)
40	1.610 (40.9)	2.190 (55.6)	1.915 (48.6)

See inside back cover  
 fold-out or pages 13 and  
 14 for Tables I and II.

**TABLE IV: ELBOW DIMENSIONS**

Elbow Size	E	F	G	H
	Max	Max	Max	Max
04	.567 (14.4)	1.187 (30.1)	.636 (16.2)	1.200 (30.5)
06	.630 (16.0)	1.250 (31.8)	.710 (18.0)	1.320 (33.5)
08	.692 (17.6)	1.312 (33.3)	.731 (18.6)	1.340 (34.0)
10	.755 (19.2)	1.655 (42.0)	.825 (21.0)	1.660 (42.2)
12	.848 (21.5)	1.765 (44.8)	.988 (25.1)	1.750 (44.5)
16	1.036 (26.3)	1.952 (49.6)	1.087 (27.6)	1.925 (48.9)
20	1.130 (28.7)	2.098 (53.3)	1.325 (33.7)	2.033 (51.6)
24	1.255 (31.9)	2.155 (54.7)	1.337 (34.0)	2.200 (55.9)
28	1.317 (33.5)	2.250 (57.2)	1.827 (46.4)	2.450 (62.2)
32	1.348 (34.2)	2.343 (59.5)	2.027 (51.5)	2.450 (62.2)

**TABLE V: CABLE ENTRY**

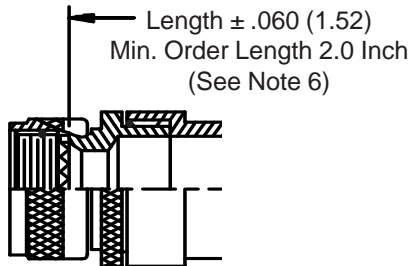
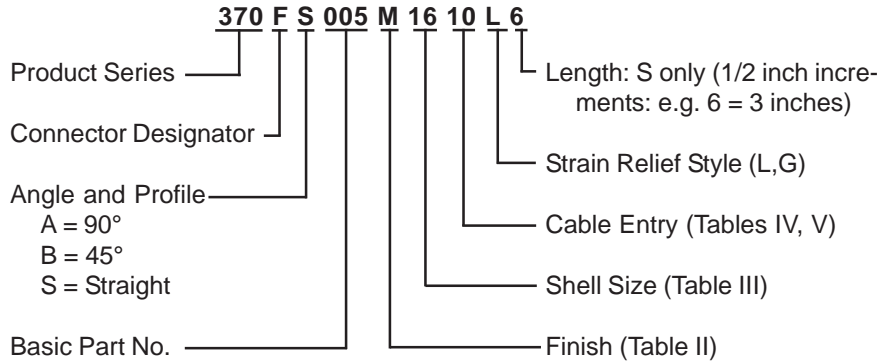
Dash No.	K	L	N	Cable Range		M
	Max	Max	Ref	Min	Max	Max
03	1.219 (31.0)	.812 (20.6)	.135 (3.4)	.156 (4.0)	.219 (5.6)	1.031 (26.2)
04	1.219 (31.0)	.937 (23.8)	.203 (5.2)	.188 (4.8)	.312 (7.9)	1.031 (26.2)
06	1.219 (31.0)	1.062 (27.0)	.285 (7.2)	.281 (7.1)	.438 (11.1)	1.031 (26.2)
08	1.219 (31.0)	1.188 (30.2)	.350 (8.9)	.312 (7.9)	.531 (13.5)	1.031 (26.2)
10	1.281 (32.5)	1.312 (33.3)	.390 (9.9)	.375 (9.5)	.625 (15.9)	1.094 (27.8)
12	1.281 (32.5)	1.562 (39.7)	.460 (11.7)	.500 (12.7)	.750 (19.1)	1.219 (31.0)
16	1.406 (35.7)	1.750 (44.5)	.510 (13.0)	.625 (15.9)	.938 (23.8)	1.219 (31.0)
20	1.656 (42.1)	2.250 (57.2)	.695 (17.7)	.938 (23.8)	1.250 (31.8)	1.344 (34.1)
24	1.906 (48.4)	2.375 (60.3)	.715 (18.2)	1.000 (25.4)	1.375 (34.9)	1.547 (39.3)
28	1.906 (48.4)	2.625 (66.7)	.915 (23.2)	1.250 (31.8)	1.625 (41.3)	1.547 (39.3)
32	2.000 (50.8)	2.812 (71.4)	1.070 (27.2)	1.500 (38.1)	1.875 (47.6)	1.734 (44.0)

**TABLE VI: CABLE ENTRY**

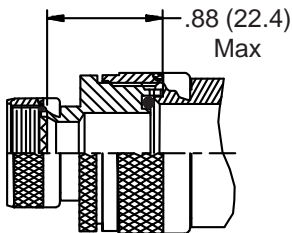
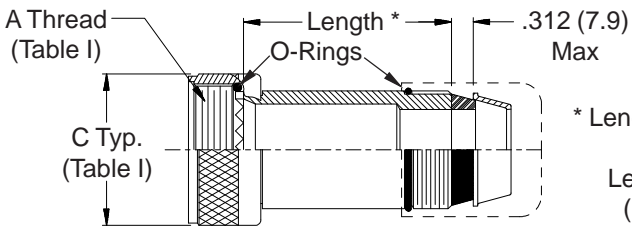
Dash No.	P	R	Cable Range	
	Max	Max	Min	Max
03	.739 (18.8)	.812 (20.6)	.156 (4.0)	.219 (5.6)
04	.739 (18.8)	.937 (23.8)	.188 (4.8)	.312 (7.9)
06	.739 (18.8)	1.062 (27.0)	.281 (7.1)	.438 (11.1)
08	.739 (18.8)	1.188 (30.2)	.312 (7.9)	.531 (13.5)
10	.791 (20.1)	1.312 (33.3)	.375 (9.5)	.625 (15.9)
12	.880 (22.4)	1.562 (39.7)	.500 (12.7)	.750 (19.1)
16	.901 (22.9)	1.750 (44.5)	.625 (15.9)	.938 (23.8)
20	1.031 (26.2)	2.250 (57.2)	.938 (23.8)	1.250 (31.8)
24	1.250 (31.8)	2.375 (60.3)	1.000 (25.4)	1.375 (34.9)
28	1.250 (31.8)	2.625 (66.7)	1.250 (31.8)	1.625 (41.3)
32	1.312 (33.3)	2.812 (71.4)	1.500 (38.1)	1.875 (47.6)

1. When maximum cable entry (page 22) is exceeded, Style 2 will be supplied. Function S only.
2. Metric dimensions (mm) are indicated in parentheses.
3. Saddles are bottomed on Clamp Ears.
4. Cable range is defined as the accommodations range for the wire bundle or cable. Dimensions shown are not intended for inspection criteria.
5. Consult factory for shorter lengths on straight backshells.
6. When using Connector Designator B refer to pages 18 and 19 for part number development.

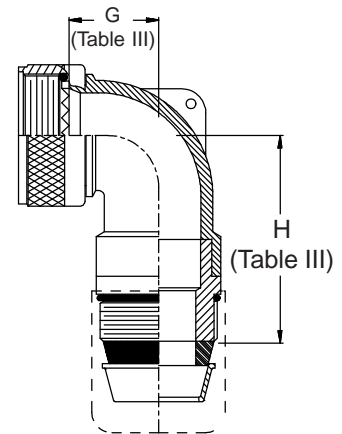
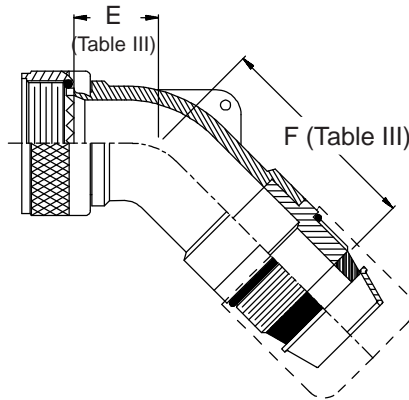
**CONNECTOR  
 DESIGNATORS  
 A-F-H-L-S**  
**ROTATABLE  
 COUPLING**



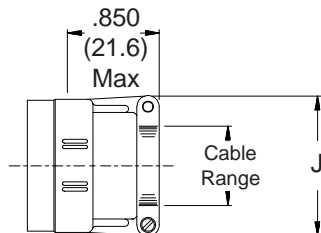
**STYLE 2  
 (STRAIGHT  
 See Note 1)**



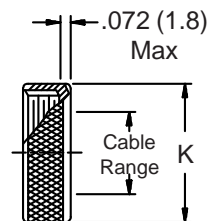
**STYLE 2  
 (45° & 90°  
 See Note 1)**



**STYLE L  
 Light Duty (Table IV)**



**STYLE G  
 Light Duty (Table V)**



**370-005**  
**Splash-Proof Cable Sealing Backshell**  
 with Strain Relief  
 Low Profile - Rotatable Coupling



See inside back cover fold-out or pages 13 and 14 for unabridged Tables I and II.

**TABLE III: ELBOW DIMENSIONS**

Shell Size		E Max	F Max	G Max	H Max
Conn. Desig. A-F-L-S	H				
08	09	.457 (11.6)	2.030 (51.6)	.500 (12.7)	2.040 (51.8)
10	11	.520 (13.2)	2.030 (51.6)	.595 (15.1)	2.040 (51.8)
12	13	.582 (14.8)	2.090 (53.1)	.610 (15.5)	2.160 (54.9)
14	15	.645 (16.4)	2.150 (54.6)	.700 (17.8)	2.180 (55.4)
16	17	.738 (18.7)	2.240 (56.9)	.885 (22.5)	2.250 (57.2)
18	19	.926 (23.5)	2.340 (59.4)	.975 (24.8)	2.340 (59.4)
20	21	.926 (23.5)	2.340 (59.4)	.975 (24.8)	2.340 (59.4)
22	23	1.020 (25.9)	2.540 (64.5)	1.125 (28.6)	2.510 (63.8)
24	25	1.020 (25.9)	2.540 (64.5)	1.125 (28.6)	2.510 (63.8)
28		1.145 (29.1)	2.680 (68.1)	1.225 (31.1)	2.620 (66.5)
32		1.207 (30.7)	2.680 (68.1)	1.575 (40.0)	2.620 (66.5)
36		1.238 (31.4)	2.680 (68.1)	1.775 (45.1)	2.620 (66.5)

**TABLE IV: CABLE ENTRY**

Dash No.	J Max	Cable Range	
		Min	Max
01	.781 (19.8)	.062 (1.6)	.125 (3.2)
02	.968 (24.6)	.125 (3.2)	.250 (6.4)
03	1.046 (26.6)	.250 (6.4)	.375 (9.5)
04	1.156 (29.4)	.250 (6.4)	.500 (12.7)
05	1.218 (30.9)	.375 (9.5)	.625 (15.9)
06	1.343 (34.1)	.500 (12.7)	.750 (19.1)
07	1.468 (37.3)	.625 (15.9)	.875 (22.2)
08	1.593 (40.5)	.625 (15.9)	1.000 (25.4)
09	1.718 (43.6)	.750 (19.1)	1.125 (28.6)
10	1.843 (46.8)	.875 (22.2)	1.250 (31.8)

**TABLE V: CABLE ENTRY**

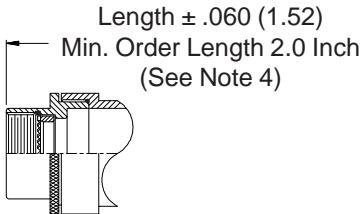
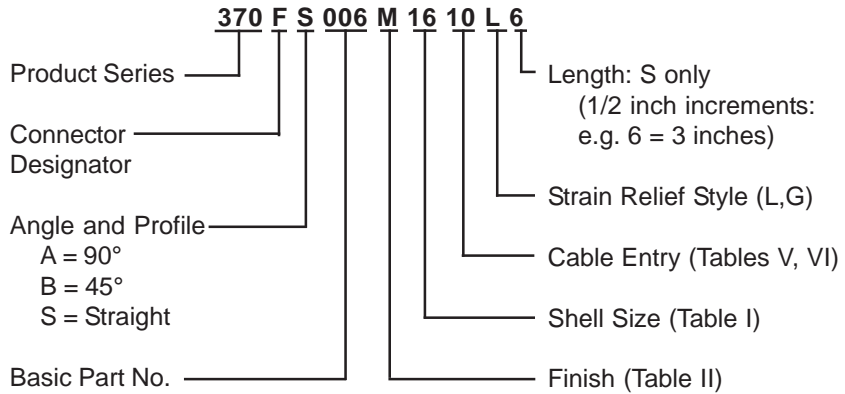
Dash No.	K Max	Cable Range	
		Min	Max
01	.593 (15.1)	.062 (1.6)	.125 (3.2)
02	.718 (18.2)	.125 (3.2)	.250 (6.4)
03	.873 (22.2)	.250 (6.4)	.375 (9.5)
04	.968 (24.6)	.375 (9.5)	.500 (12.7)
05	1.109 (28.2)	.500 (12.7)	.625 (15.9)
06	1.218 (30.9)	.625 (15.9)	.750 (19.1)
07	1.343 (34.1)	.750 (19.1)	.875 (22.2)
08	1.468 (37.3)	.875 (22.2)	1.000 (25.4)
09	1.593 (40.5)	1.000 (25.4)	1.125 (28.6)
10	1.718 (43.6)	1.125 (28.6)	1.250 (31.8)

1. When maximum cable entry (page 21) is exceeded, Style 2 will be supplied.  
Dimensions E, F, G and H will not apply. Please consult factory.
2. Metric dimensions (mm) are indicated in parentheses.
3. Cable range is defined as the accommodations range for the wire bundle or cable.  
Dimensions shown are not intended for inspection criteria.
4. Interface O-Ring not supplied with connector designator A.

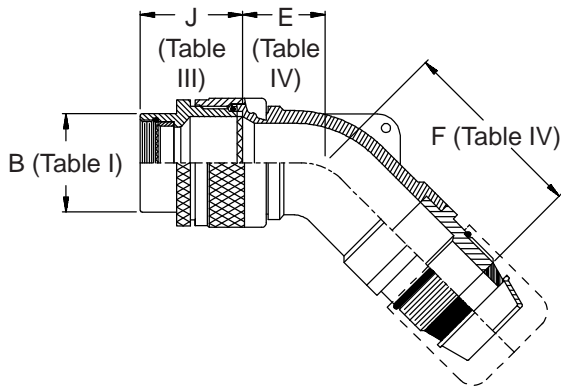
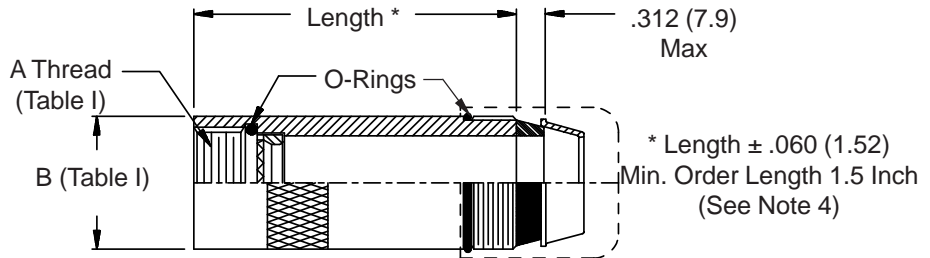
**TABLE II: STANDARD FINISHES**

GLENAIR	
SYMBOL	FINISH
B	Cadmium Plate, Olive Drab
C	Anodize, Black
G	Hard Coat, Anodic
M	Electroless Nickel
NF	Cadmium Plate, Olive Drab Over Electroless Nickel
See Inside Back Cover for Additional Finish Options	

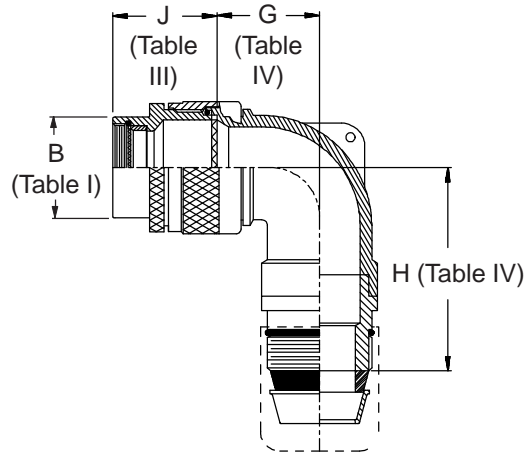
**CONNECTOR DESIGNATORS**  
**A-B\*-C-D-E-F**  
**G-H-J-K-L-S**  
 \* Conn. Desig. B See Note 5  
**DIRECT COUPLING**



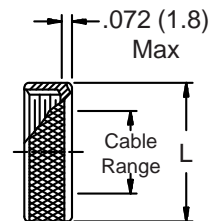
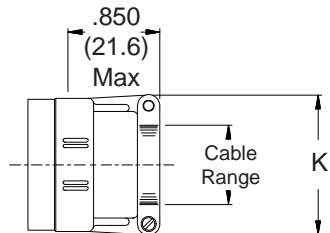
**STYLE 2**  
**(STRAIGHT)**  
 See Note 1)



**STYLE L**  
 Light Duty (Table V)



**STYLE G**  
 Light Duty (Table VI)



**370-006**  
**Splash-Proof Cable Sealing Backshell**  
with Strain Relief  
**Low Profile - Direct Coupling**



**TABLE III: FRONT ADAPTER**

Shell Size	J Max - Conn. Designator		
	A-E-F		
	J-H-L-S	D-B-G-K	C
08/09	1.180 (30.0)	1.440 (36.6)	
10/11	1.180 (30.0)	1.440 (36.6)	
12/13	1.180 (30.0)	1.440 (36.6)	1.735 (44.1)
14/15	1.180 (30.0)	1.440 (36.6)	1.915 (48.6)
16/17	1.380 (35.0)	1.560 (39.6)	1.915 (48.6)
18/19	1.380 (35.0)	1.560 (39.6)	1.915 (48.6)
20/21	1.380 (35.0)	1.560 (39.6)	1.915 (48.6)
22/23	1.380 (35.0)	1.560 (39.6)	1.915 (48.6)
24/25	1.380 (35.0)	1.560 (39.6)	1.915 (48.6)
28/29	1.610 (40.9)	1.560 (39.6)	1.915 (48.6)
32/33	1.610 (40.9)	1.750 (44.5)	1.915 (48.6)
36	1.610 (40.9)	1.750 (44.5)	1.915 (48.6)
40	1.610 (40.9)	2.190 (55.6)	1.915 (48.6)

See inside back cover fold-out or pages 13 and 14 for unabridged Tables I and II.

1. When maximum cable entry (page 22) is exceeded, Style 2 will be supplied. Function S only.
2. Metric dimensions (mm) are indicated in parentheses.
3. Cable range is defined as the accommodations range for the wire bundle or cable. Dimensions shown are not intended for inspection criteria.
4. Consult factory for shorter lengths on straight backshells.
5. When using Connector Designator B refer to pages 18 and 19 for part number development.

**TABLE IV: ELBOW DIMENSIONS**

Elbow Size	E		F		G		H	
	Max		Max		Max		Max	
01	.567 (14.4)		2.030 (51.6)		.636 (16.2)		2.040 (51.8)	
02	.567 (14.4)		2.030 (51.6)		.636 (16.2)		2.040 (51.8)	
03	.630 (16.0)		2.090 (53.1)		.710 (18.0)		2.160 (54.9)	
04	.692 (17.6)		2.150 (54.6)		.731 (18.6)		2.180 (55.4)	
05	.755 (19.2)		2.240 (56.9)		.825 (21.0)		2.250 (57.2)	
06	.848 (21.5)		2.340 (59.4)		.988 (25.1)		2.340 (59.4)	
07	1.036 (26.3)		2.540 (64.5)		1.087 (27.6)		2.510 (63.8)	
08	1.130 (28.7)		2.680 (68.1)		1.325 (33.7)		2.620 (66.5)	
09	1.130 (28.7)		2.680 (68.1)		1.325 (33.7)		2.620 (66.5)	
10	1.130 (28.7)		2.680 (68.1)		1.325 (33.7)		2.620 (66.5)	

**TABLE II: STANDARD FINISHES**

GLENAIR	
SYMBOL	FINISH
B	Cadmium Plate, Olive Drab
C	Anodize, Black
G	Hard Coat, Anodic
M	Electroless Nickel
NF	Cadmium Plate, Olive Drab Over Electroless Nickel

See Inside Back Cover  
for Additional Finish Options

**TABLE V: CABLE ENTRY**

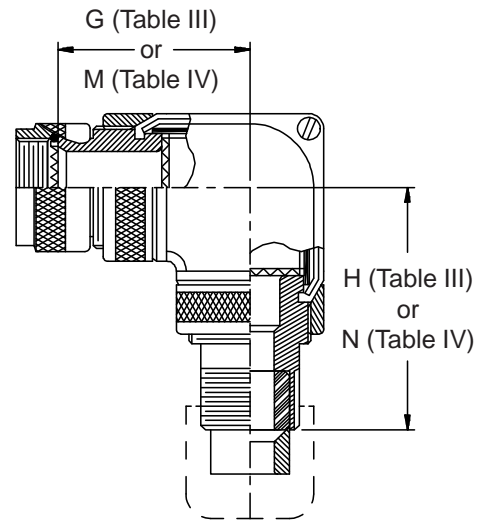
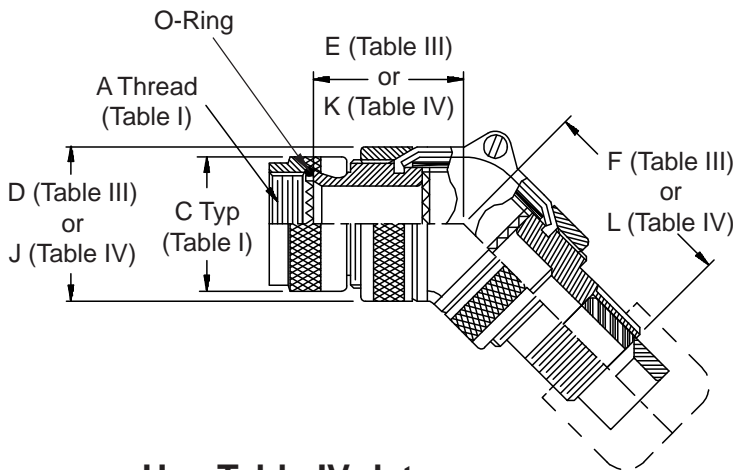
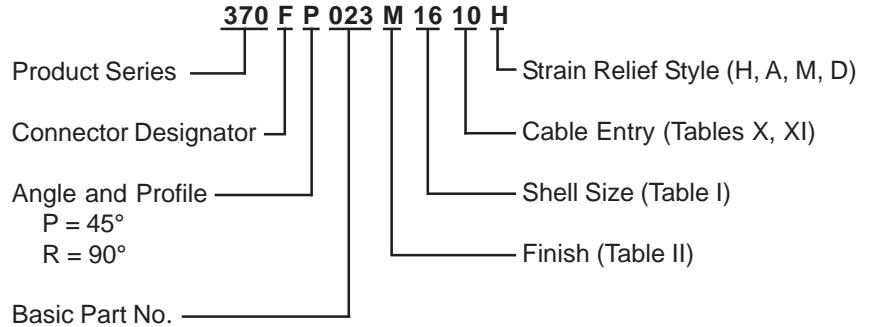
Dash No.	K Max	Cable Range	
		Min	Max
01	.781 (19.8)	.062 (1.6)	.125 (3.2)
02	.968 (24.6)	.125 (3.2)	.250 (6.4)
03	1.046 (26.6)	.250 (6.4)	.375 (9.5)
04	1.156 (29.4)	.250 (6.4)	.500 (12.7)
05	1.218 (30.9)	.375 (9.5)	.625 (15.9)
06	1.343 (34.1)	.500 (12.7)	.750 (19.1)
07	1.468 (37.3)	.625 (15.9)	.875 (22.2)
08	1.593 (40.5)	.625 (15.9)	1.000 (25.4)
09	1.718 (43.6)	.750 (19.1)	1.125 (28.6)
10	1.843 (46.8)	.875 (22.2)	1.250 (31.8)

**TABLE VI: CABLE ENTRY**

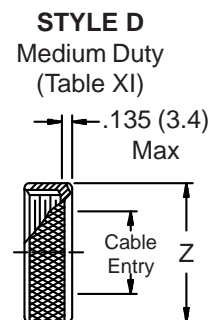
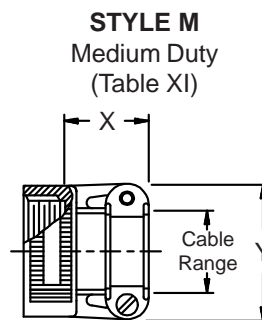
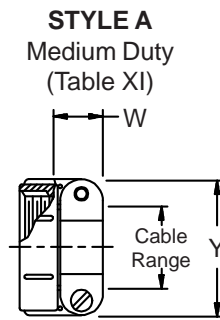
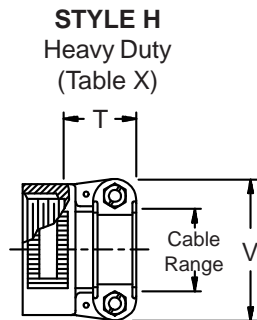
Dash No.	L Max	Cable Range	
		Min	Max
01	.593 (15.1)	.062 (1.6)	.125 (3.2)
02	.718 (18.2)	.125 (3.2)	.250 (6.4)
03	.843 (21.4)	.250 (6.4)	.375 (9.5)
04	.968 (24.6)	.375 (9.5)	.500 (12.7)
05	1.109 (28.2)	.500 (12.7)	.625 (15.9)
06	1.218 (30.9)	.625 (15.9)	.750 (19.1)
07	1.343 (34.1)	.750 (19.1)	.875 (22.2)
08	1.468 (37.3)	.875 (22.2)	1.000 (25.4)
09	1.593 (40.5)	1.000 (25.4)	1.125 (28.6)
10	1.718 (43.6)	1.125 (28.6)	1.250 (31.8)



**CONNECTOR  
 DESIGNATORS  
 A-F-H-L-S  
 ROTATABLE  
 COUPLING**



**Use Table IV data  
 when C diameter  
 exceeds D diameter.**



**370-023**  
**Submersible Split Shell Cable Sealing Backshell**  
 with Strain Relief  
 Low Profile - Rotatable Coupling



**TABLE III: DIMENSIONS**

Shell Size		D		E		F		G		H	
Conn. Desig.	H	Max	(mm)	Max	(mm)	Max	(mm)	Max	(mm)	Max	(mm)
A-F-L-S											
08	09	1.188	(30.2)	1.781	(45.2)	2.156	(54.8)	1.781	(45.2)	2.156	(54.8)
10	11	1.188	(30.2)	1.781	(45.2)	2.156	(54.8)	1.781	(45.2)	2.156	(54.8)
12	13	1.188	(30.2)	1.781	(45.2)	2.156	(54.8)	1.781	(45.2)	2.156	(54.8)
14	15	1.188	(30.2)	1.781	(45.2)	2.156	(54.8)	1.781	(45.2)	2.156	(54.8)
16	17	1.438	(36.5)	1.906	(48.4)	2.281	(57.9)	1.906	(48.4)	2.281	(57.9)
18	19	1.438	(36.5)	1.906	(48.4)	2.281	(57.9)	1.906	(48.4)	2.281	(57.9)
20	21	1.438	(36.5)	1.906	(48.4)	2.281	(57.9)	1.906	(48.4)	2.281	(57.9)
22	23	1.688	(42.9)	2.031	(51.6)	2.406	(61.1)	2.031	(51.6)	2.406	(61.1)
24	25	1.688	(42.9)	2.031	(51.6)	2.406	(61.1)	2.031	(51.6)	2.406	(61.1)

See inside back cover fold-out or pages 13 and 14 for unabridged Tables I and II.

**TABLE IV: DIMENSIONS**

Dash No.	J Max	K Max	L Max	M Max	N Max
08	1.438 (36.5)	1.906 (48.4)	2.281 (57.9)	1.906 (48.4)	2.281 (57.9)
10	1.688 (42.9)	2.031 (51.6)	2.406 (61.1)	2.031 (51.6)	2.406 (61.1)
12	1.688 (42.9)	2.031 (51.6)	2.406 (61.1)	2.031 (51.6)	2.406 (61.1)
16	1.688 (42.9)	2.031 (51.6)	2.406 (61.1)	2.031 (51.6)	2.406 (61.1)
20	2.188 (55.6)	2.281 (57.9)	2.656 (67.5)	2.281 (57.9)	2.656 (67.5)
24	2.188 (55.6)	2.281 (57.9)	2.656 (67.5)	2.281 (57.9)	2.656 (67.5)
28	2.688 (68.3)	2.531 (64.3)	2.906 (73.8)	2.531 (64.3)	2.906 (73.8)

1. Metric dimensions (mm) are indicated in parentheses.
2. Cable range is defined as the accommodations range for the wire bundle or cable. Dimensions shown are not intended for inspection criteria.
3. Interface O-Ring not supplied with connector designator A.

**TABLE X: CABLE ENTRY**

Dash No.	T Max	V Max	Cable Range	
			Min	Max
04	.780 (19.8)	.957 (24.3)	.125 (3.2)	.312 (7.9)
06	.780 (19.8)	1.145 (29.1)	.250 (6.4)	.437 (11.1)
08	.780 (19.8)	1.332 (33.8)	.387 (9.8)	.562 (14.3)
10	.780 (19.8)	1.332 (33.8)	.350 (8.9)	.625 (15.9)
12	.811 (20.6)	1.551 (39.4)	.500 (12.7)	.750 (19.1)
16	.905 (23.0)	1.770 (45.0)	.625 (15.9)	.937 (23.8)
20	1.092 (27.7)	2.113 (53.7)	.875 (22.2)	1.250 (31.8)
24	1.124 (28.5)	2.363 (60.0)	1.000 (25.4)	1.375 (34.9)
28	1.399 (35.5)	2.770 (70.4)	1.250 (31.8)	1.625 (41.3)

**TABLE II: STANDARD FINISHES**

GLENAIR SYMBOL FINISH	
B	Cadmium Plate, Olive Drab
C	Anodize, Black
G	Hard Coat, Anodic
M	Electroless Nickel
NF	Cadmium Plate, Olive Drab Over Electroless Nickel
See Inside Back Cover for Additional Finish Options	

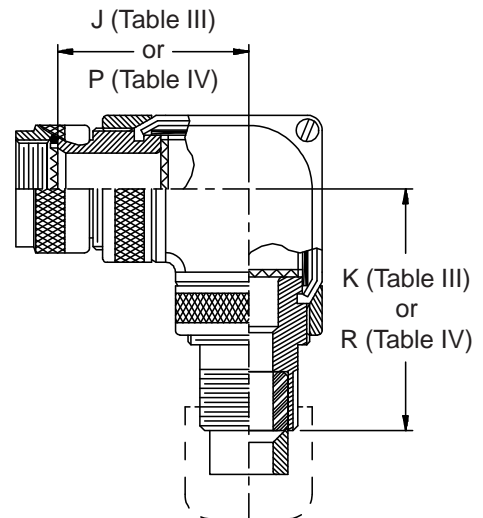
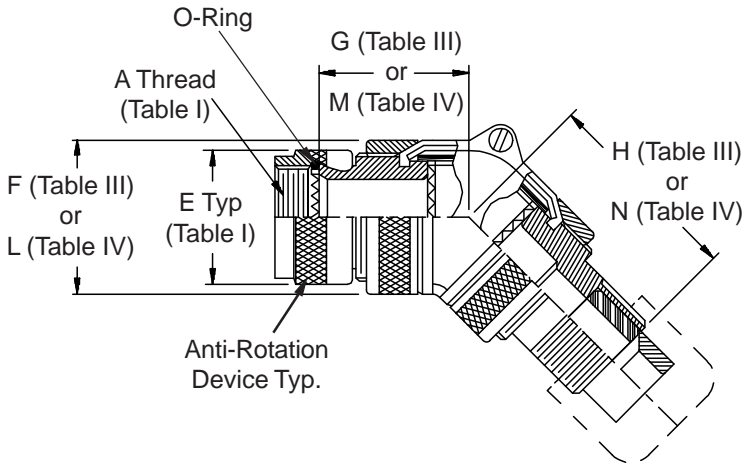
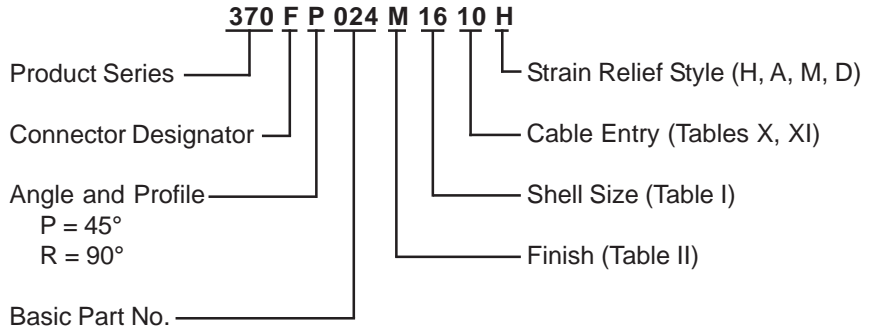
**TABLE XI: CABLE ENTRY**

Dash No.	W Max	X Max	Y Max	Z Max	Cable Range	
					Min **	Max
03*	.437 (11.1)	.760 (19.3)	.843 (21.4)	.630 (16.0)	.156 (4.0)	.250 (6.4)
04*	.437 (11.1)	.760 (19.3)	.906 (23.0)	.755 (19.2)	.188 (4.8)	.312 (7.9)
06*	.500 (12.7)	.760 (19.3)	1.093 (27.8)	.942 (23.9)	.281 (7.1)	.438 (11.1)
08	.563 (14.3)	.760 (19.3)	1.187 (30.1)	1.067 (27.1)	.387 (9.8)	.562 (14.3)
10	.563 (14.3)	.760 (19.3)	1.281 (32.5)	1.192 (30.3)	.375 (9.5)	.625 (15.9)
12	.563 (14.3)	.760 (19.3)	1.500 (38.1)	1.380 (35.1)	.438 (11.1)	.750 (19.1)
16	.656 (16.7)	1.073 (27.3)	1.719 (43.7)	1.535 (39.0)	.625 (15.9)	.938 (23.8)
20	.656 (16.7)	1.323 (33.6)	2.062 (52.4)	1.848 (46.9)	.875 (22.2)	1.250 (31.8)
24	.656 (16.7)	1.323 (33.6)	2.312 (58.7)	2.255 (57.3)	1.000 (25.4)	1.375 (34.9)
28	1.188 (30.2)	1.572 (39.9)	2.719 (69.1)	2.505 (63.6)	1.250 (31.8)	1.625 (41.3)
32*	1.187 (30.1)	1.572 (39.9)	2.969 (75.4)	2.755 (70.0)	1.437 (36.5)	1.875 (47.6)

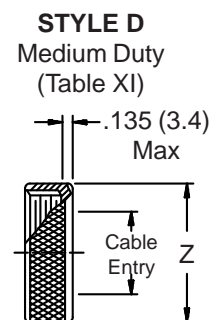
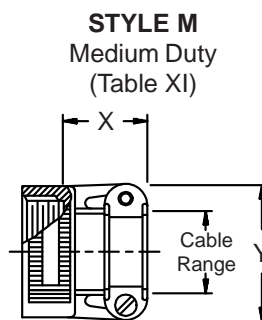
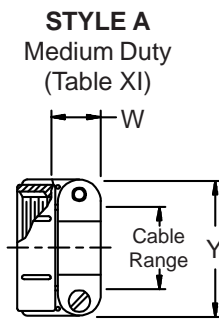
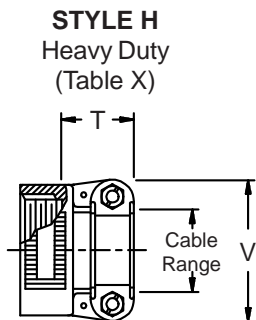
\* Not available in Style M clamp.

\*\* Not Applicable Style D

**CONNECTOR  
 DESIGNATORS  
 A-F-H-L-S  
 SELF-LOCKING  
 ROTATABLE  
 COUPLING**



**Use Table IV data  
 when E diameter  
 exceeds F diameter.**



**370-024**  
**Submersible Split Shell Cable Sealing Backshell**  
 with Strain Relief  
 Low Profile - Self-Locking - Rotatable Coupling



**TABLE III: DIMENSIONS**

Shell Size		F		G		H		J		K	
Conn. Desig.		Max		Max		Max		Max		Max	
A-F-L-S	H										
08	09	1.188	(30.2)	1.938	(49.2)	2.156	(54.8)	1.938	(49.2)	2.156	(54.8)
10	11	1.188	(30.2)	1.938	(49.2)	2.156	(54.8)	1.938	(49.2)	2.156	(54.8)
12	13	1.188	(30.2)	1.938	(49.2)	2.156	(54.8)	1.938	(49.2)	2.156	(54.8)
14	15	1.188	(30.2)	1.938	(49.2)	2.156	(54.8)	1.938	(49.2)	2.156	(54.8)
16	17	1.438	(36.5)	2.062	(52.4)	2.281	(57.9)	2.062	(52.4)	2.281	(57.9)
18	19	1.438	(36.5)	2.062	(52.4)	2.281	(57.9)	2.062	(52.4)	2.281	(57.9)
20	21	1.438	(36.5)	2.062	(52.4)	2.281	(57.9)	2.062	(52.4)	2.281	(57.9)
22	23	1.688	(42.9)	2.188	(55.6)	2.406	(61.1)	2.188	(55.6)	2.406	(61.1)
24	25	1.688	(42.9)	2.188	(55.6)	2.406	(61.1)	2.188	(55.6)	2.406	(61.1)

See inside back cover fold-out or pages 13 and 14 for unabridged Tables I and II.

**TABLE IV: DIMENSIONS**

Dash No.	L Max	M Max	N Max	P Max	R Max
08	1.438 (36.5)	2.062 (52.4)	2.281 (57.9)	2.062 (52.4)	2.281 (57.9)
10	1.688 (42.9)	2.188 (55.6)	2.406 (61.1)	2.188 (55.6)	2.406 (61.1)
12	1.688 (42.9)	2.188 (55.6)	2.406 (61.1)	2.188 (55.6)	2.406 (61.1)
16	1.688 (42.9)	2.188 (55.6)	2.406 (61.1)	2.188 (55.6)	2.406 (61.1)
20	2.188 (55.6)	2.438 (61.9)	2.656 (67.5)	2.438 (61.9)	2.656 (67.5)
24	2.188 (55.6)	2.438 (61.9)	2.656 (67.5)	2.438 (61.9)	2.656 (67.5)
28	2.688 (68.3)	2.688 (68.3)	2.906 (73.8)	2.688 (68.3)	2.906 (73.8)

1. Metric dimensions (mm) are indicated in parentheses.
2. Cable range is defined as the accommodations range for the wire bundle or cable. Dimensions shown are not intended for inspection criteria.
3. Interface O-Ring not supplied with connector designator A.

**TABLE X: CABLE ENTRY**

Dash No.	T Max	V Max	Cable Range	
			Min	Max
04	.780 (19.8)	.957 (24.3)	.125 (3.2)	.312 (7.9)
06	.780 (19.8)	1.145 (29.1)	.250 (6.4)	.437 (11.1)
08	.780 (19.8)	1.332 (33.8)	.387 (9.8)	.562 (14.3)
10	.780 (19.8)	1.332 (33.8)	.350 (8.9)	.625 (15.9)
12	.811 (20.6)	1.551 (39.4)	.500 (12.7)	.750 (19.1)
16	.905 (23.0)	1.770 (45.0)	.625 (15.9)	.937 (23.8)
20	1.092 (27.7)	2.113 (53.7)	.875 (22.2)	1.250 (31.8)
24	1.124 (28.5)	2.363 (60.0)	1.000 (25.4)	1.375 (34.9)
28	1.399 (35.5)	2.770 (70.4)	1.250 (31.8)	1.625 (41.3)

**TABLE II: STANDARD FINISHES**

GLENAIR SYMBOL	FINISH
B	Cadmium Plate, Olive Drab
C	Anodize, Black
G	Hard Coat, Anodic
M	Electroless Nickel
NF	Cadmium Plate, Olive Drab Over Electroless Nickel

See Inside Back Cover for Additional Finish Options

**TABLE XI: CABLE ENTRY**

Dash No.	W Max	X Max	Y Max	Z Max	Cable Range	
					Min **	Max
03*	.437 (11.1)	.760 (19.3)	.843 (21.4)	.630 (16.0)	.156 (4.0)	.250 (6.4)
04*	.437 (11.1)	.760 (19.3)	.906 (23.0)	.755 (19.2)	.188 (4.8)	.312 (7.9)
06*	.500 (12.7)	.760 (19.3)	1.093 (27.8)	.942 (23.9)	.281 (7.1)	.438 (11.1)
08	.563 (14.3)	.760 (19.3)	1.187 (30.1)	1.067 (27.1)	.387 (9.8)	.562 (14.3)
10	.563 (14.3)	.760 (19.3)	1.281 (32.5)	1.192 (30.3)	.375 (9.5)	.625 (15.9)
12	.563 (14.3)	.760 (19.3)	1.500 (38.1)	1.380 (35.1)	.438 (11.1)	.750 (19.1)
16	.656 (16.7)	1.073 (27.3)	1.719 (43.7)	1.535 (39.0)	.625 (15.9)	.938 (23.8)
20	.656 (16.7)	1.323 (33.6)	2.062 (52.4)	1.848 (46.9)	.875 (22.2)	1.250 (31.8)
24	.656 (16.7)	1.323 (33.6)	2.312 (58.7)	2.255 (57.3)	1.000 (25.4)	1.375 (34.9)
28	1.188 (30.2)	1.572 (39.9)	2.719 (69.1)	2.505 (63.6)	1.250 (31.8)	1.625 (41.3)
32	1.187 (30.1)	1.572 (39.9)	2.969 (75.4)	2.755 (70.0)	1.437 (36.5)	1.875 (47.6)

\* Not available in Style M clamp.      \*\* Not Applicable Style D

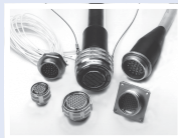
It's cold. It's wet.  
It's out in the middle of nowhere.



## Just the Place for Glenair's Geo-Marine<sup>®</sup> Connectors and Cables.

**D**esigned for use in oceanographic, geophysical and other severe environments, Glenair's line of Geo-Marine<sup>®</sup> connectors and cables withstand hydrostatic pressures up to 5,000 psi and exposure to extreme temperatures and

corrosives. Our Geo-Marine<sup>®</sup> products have been used in offshore oil drilling, seabed exploration, and pipeline inspection systems, and are available as either discrete connectors, accessories and cable or as engineered cable assemblies.



Geo-Marine<sup>®</sup> connectors and cables



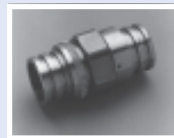
Geo-Marine<sup>®</sup> connectors & Bulkhead feed-throughs



Complete molded Geo-Marine<sup>®</sup> cable assemblies



Geo-Marine<sup>®</sup> castellated and knurled coupling rings



Nickel aluminum bronze & stainless steel construction



High-density Geo-Marine<sup>®</sup> insert arrangements



1211 Air Way

Glendale, California 91201-2497

Telephone: 818-247-6000 · Facsimilie: 818-500-9912 · EMail: sales@glenair.com

United States · United Kingdom · Germany · Nordic · France · Italy · Spain  
www.glenair.com



## PRODUCT FEATURES

- EMI/RFI Backshell Design Features Seven Styles of Ring Type Shield Terminations for Both Overall and Individual Shields
- Rotatable, Self-Locking and Direct Coupling Styles
- Standard, Low Profile, Full Radius and Split Shell Designs
- Straight, 45° and 90° Configurations
- Selection of Strain-Relief Styles
- Non-Environmental



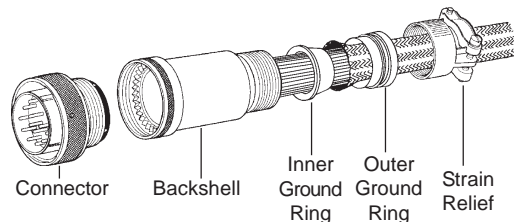
## Seven styles of non-environmental conical shield ring type EMI/RFI backshells

### *The right style of shield termination for every EMI/RFI application*

A choice of 360° shield/screen terminations are offered in straight and angled backshells, including designs to accommodate combinations of individual or overall shields or screens. All designs included in this section provide low dc resistance across the termination area. Selection is based primarily on cable construction—what type of shield is being terminated, where the shield or combination of shields is located within the cable and the type of outer jacketing are key variables.

For assistance in selecting the right style of conical shield ring backshell for your application please review the following type descriptions and assembly instructions, or call our factory for assistance.

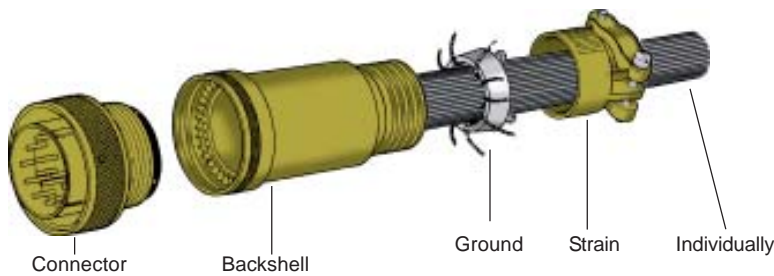
## TYPE A SHIELD TERMINATION



For heavy and medium duty applications, an EMI/RFI backshell which features two tapered conical rings which capture the overall cable/harness shield inside a counterbore in the backshell body. Shield "WALL" thickness range: 0 to .062 (1.6mm).

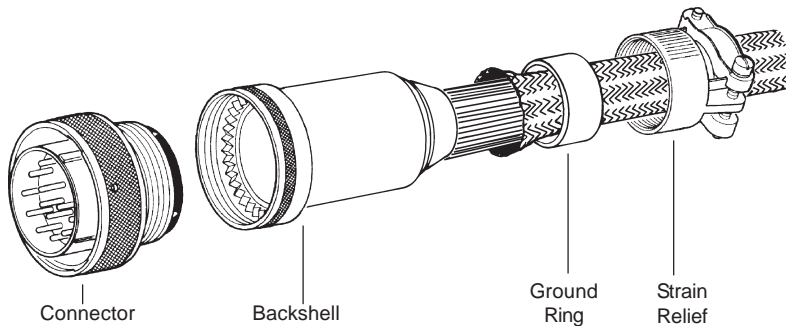


## TYPE B SHIELD TERMINATION



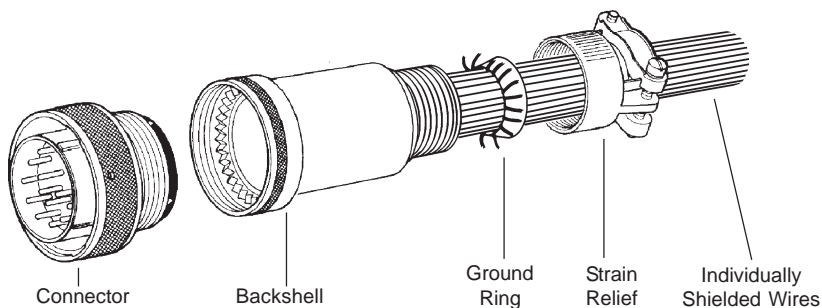
A medium or general duty design which accommodates either an overall cable/harness shield, or shields or ground wires from individually shielded complexes, or both simultaneously. A tapered ground ring which seats into a corresponding tapered surface in the backshell affords full peripheral termination. Shield "WALL" thickness range: .031 (0.8mm) to .188 (4.8mm).

## TYPE C SHIELD TERMINATION



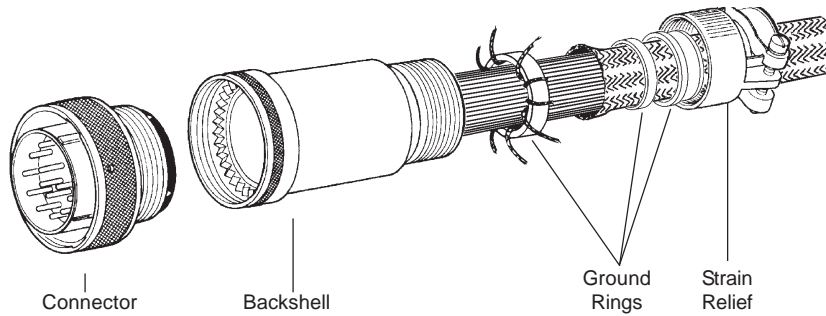
Two versions: medium and light duty shield termination designs which have a tapered grounding ring mating to a tapered surface on the rear of the backshell for 360° shield termination of an overall braided shield. Light duty termination designs are specifically configured for weight-sensitive applications. Shield "WALL" thickness range to max of .062 (1.6mm).

## TYPE D SHIELD TERMINATION



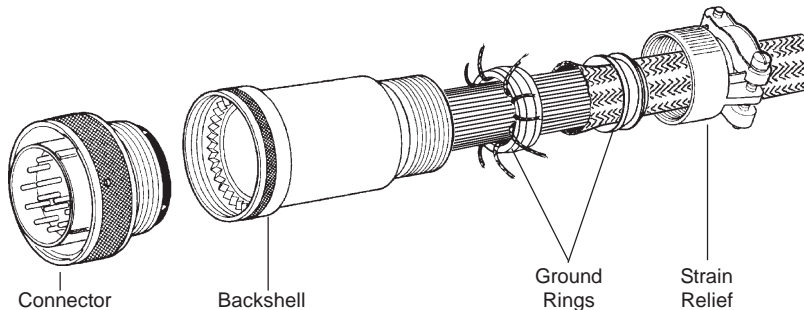
A light duty termination design for either overall or individual shield termination. A tapered grounding ring mates with a corresponding tapered surface in the backshell cable entry area. Shield "WALL" thickness range 0 to .062 (1.6mm).

## TYPE E SHIELD TERMINATION



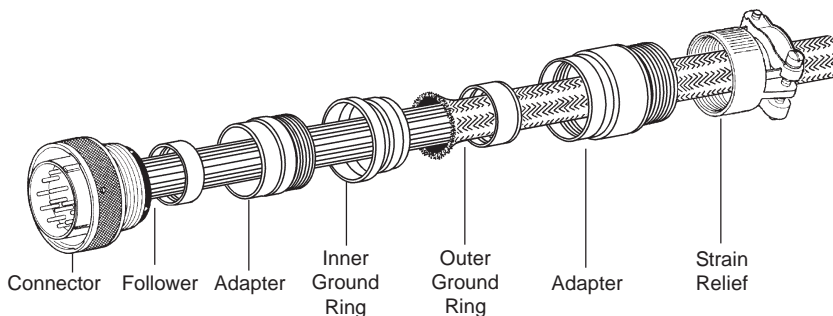
This is a light duty termination for either overall or individual shield termination or both. Two or three ground rings are utilized, the two ring style can be used for grounding either individual or overall shields. For grounding both individual and overall, the three rings style is used.

## TYPE F SHIELD TERMINATION



A medium duty termination that also provides for grounding individual, overall, or both shields together. The forward ground ring has an angled surface on both sides, providing an area to fold back and fold forward the individual or overall braids, it will also facilitate both braids together.

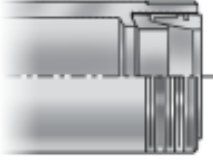
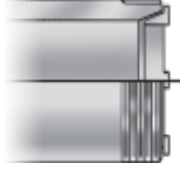
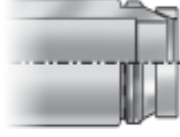

## TYPE G SHIELD TERMINATION



Type G provides a heavy duty method for grounding individual and/or over-all braid. This is a dual ring method, that allows full access to the termination area.

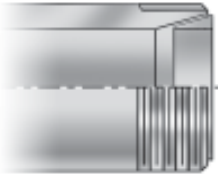
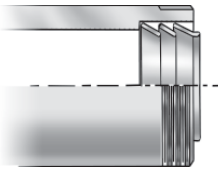
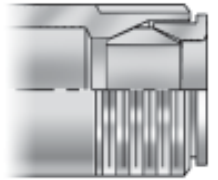
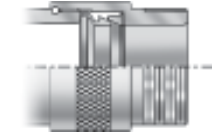
## Quick Page Number Reference Guide

Consult factory for any designs not included within this catalog.

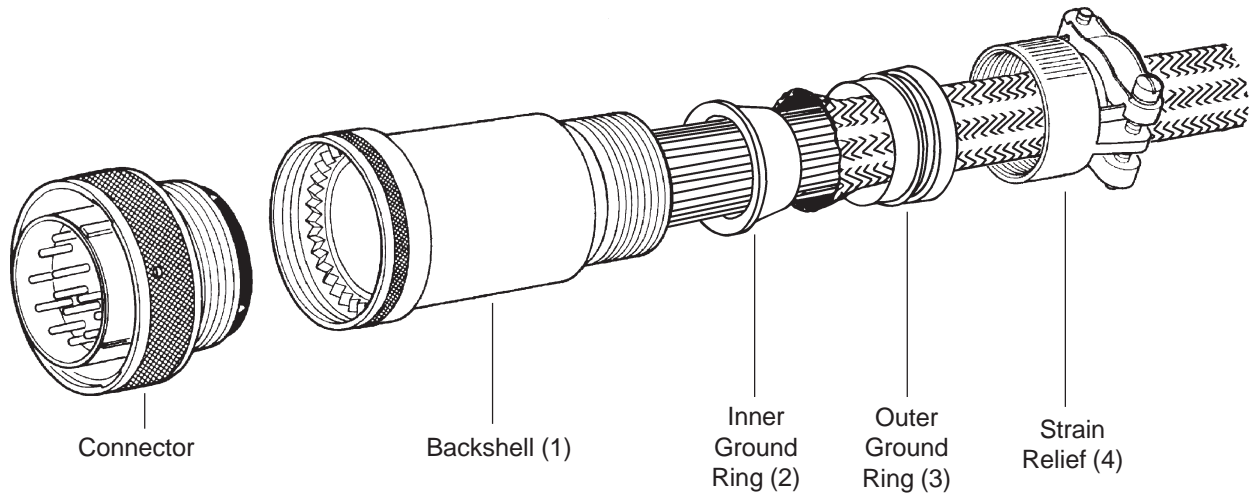
Shield Termination Design	Coupling Type	Connector Designators	Page Number				
			Straight	Low Profile	Full Radius Profile	Standard Profile	Split Shell
<b>Type A Shield Terminations</b>							
 <b>Type A</b>	Rotatable 380-001	A F H L S	38-14	38-14			
	Rotatable 380-011	G	38-16			38-16	
	Direct 380-002	All	38-18	38-18			
<b>Type B Shield Terminations</b>							
 <b>Type B</b>	Rotatable 380-115	A F H L S	38-20	38-20			
	Rotatable 380-116	G	38-22			38-22	
	Direct 380-117	All	38-24	38-24			
<b>Type C Shield Terminations</b>							
 <b>Type C- Heavy-Duty</b>	Rotatable 380-005	A F H L S	38-26	38-26			
	Direct 380-006	All	38-28	38-28			
 <b>Type C- Light-Duty</b>	Rotatable 380-007	A F H L S	38-30	38-30	38-32	38-32	38-36
	Direct 380-008	All	38-38	38-38		38-40	38-42
	Self-Locking Rotatable 380-106	A F H L S	38-44		38-44	38-46	38-48

## Quick Page Number Reference Guide

Consult factory for any designs not included within this catalog.

Shield Termination Design	Coupling Type	Connector Designators	Page Number				
			Straight	Low Profile	Full Radius Profile	Standard Profile	Split Shell
<b>Type D Shield Terminations</b>							
 Type D	Rotatable 380-009 380-013	A F H L S	38-50 38-70	38-50 38-70	38-52	38-54 38-72	38-56 38-74
	Direct 380-010 380-014	All	38-58 38-76	38-58 38-76		38-60	38-62 38-78
	Self-Locking Rotatable 380-107 380-111	A F H L S	38-64 38-80		38-64	38-66 38-80	38-68 38-82
<b>Type E Shield Terminations</b>							
 Type E	Rotatable 380-018	A F H L S	38-84	38-84	38-86	38-88	38-90
	Direct 380-019	All	38-92	38-92		38-94	38-96
	Self-Locking Rotatable 380-109	A F H L S	38-98		38-98	38-100	38-102
<b>Type F Shield Terminations</b>							
 Type F	Rotatable 380-103	A F H L S	38-104	38-104	38-106	38-108	38-110
	Direct 380-104	All	38-112	38-112		38-114	38-116
	Self-Locking Rotatable 380-105	A F H L S	38-118		38-118	38-120	38-122
<b>Type G Shield Terminations</b>							
 Type G	Rotatable 380-071	A F H L S	38-124	38-124			

## ASSEMBLY INSTRUCTIONS TYPE A SHIELD TERMINATIONS

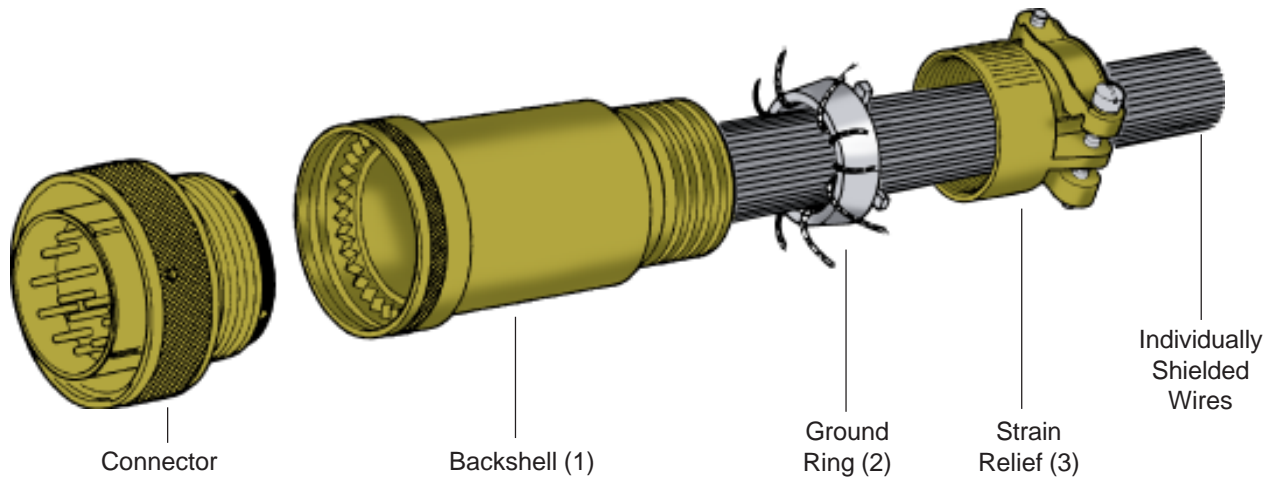


The following suggested procedure serves as a guide for proper assembly and installation of Glenair EMI/RFI Non-Environmental Backshells (Type A shield termination). It is recommended that trial samples of appropriate cables or harnesses be used to determine proper trim dimensions of the cable or harness, overall shield and individual conductors.

- a. Temporarily assemble backshell (1) to connector.
- b. Place ground rings (2,3) and strain relief (4) on cable in sequence shown. Keep these components at a convenient distance from the end of the cable, so they will not interfere with subsequent assembly steps.
- c. Insert shielded cable or harness into backshell (1) and bottom against connector. Hold cable in position and mark cable shield at rear end of adapter.
- d. Remove backshell from connector and place on cable with components in step (b) above.
- e. Trim cable shield at mark made in step (c) above.
- f. Prepare and terminate cable conductors in accordance with established practices.
- g. Assemble backshell (1) to connector and tighten securely. Slide inner ground ring (2) into backshell (1) and bottom out.
- h. Flare shield over tapered end of inner ground ring (2) and gently force cable toward connector until shield covers taper of ring.
- i. Insert outer ground ring (3) into backshell (1) over shield.
- j. Attach strain relief (4) to backshell and tighten securely. If provided, tighten strain relief saddles securely on cable.

**NOTE:** As with any electrical connector assembly procedure, be sure to use the proper tools. For convenient, reliable assembly of the connector and backshell, it is suggested that Glenair's connector holding tools, strap wrenches and connector pliers be used.

## ASSEMBLY INSTRUCTIONS TYPE B SHIELD TERMINATIONS



The following suggested procedure serves as a guide for the proper assembly and installation of Glenair EMI/RFI Non-Environmental Backshells (Type B shield termination). It is recommended that trial samples of appropriate cables or harnesses be used to determine proper trim dimensions of the outer shield and individual conductors.

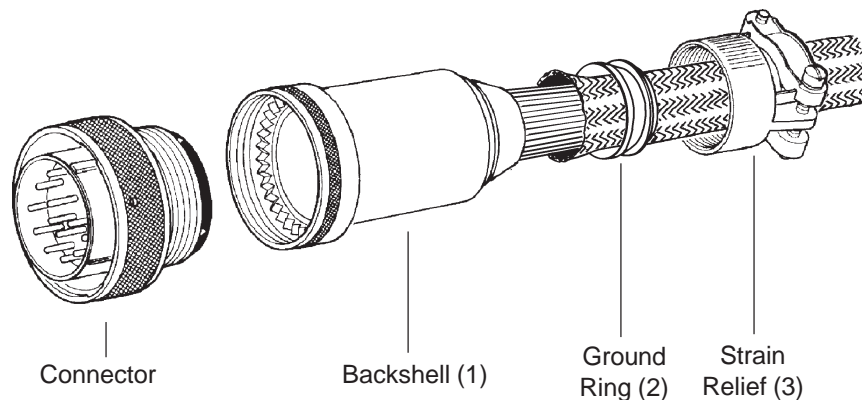
- a. Temporarily assemble backshell to connector.
- b. Place ground ring, and strain relief on cable or harness in sequence shown. Keep these components at a convenient distance from the end of the cable, so they will not interfere with subsequent assembly steps.
- c. Insert cable or harness into backshell and bottom against connector. Hold cable in position and mark outer shield at rear end of backshell adapter.
- d. Remove backshell from connector and place on cable with items in step (b) above.
- e. Trim outer shield at mark made in step (c) above. This procedure is for individually shielded conductors.
- f. Extract shield pigtail from individual conductor's. Tape or tie pigtails to the bundle.
- g. Prepare and terminate contacts to individual conductors in accordance with established practices. (Crimp or solder in place.)
- h. Slide backshell forward to connector, and tighten securely.
- i. Move the four footed ground ring forward near the rear of the backshell. Untie individual pigtails, and flare back over ground ring so as to evenly disperse pigtails through the (4) quadrants of the ring. Tie or tape pigtails back to bundle, allowing for approx. 1/2 inch of slack, for subsequent step.
- j. Push ground ring forward and into the angled area at the rear of the backshell.
- k. Engage strain relief with backshell and tighten securely. Tighten strain relief saddles securely on cable or harness, this will then provide good shielding bonding to the adapter shell. (This same procedure can also be utilized for overall shield.)

NOTE: As with any electrical connector assembly procedure, be sure to use the proper tools. For convenient, reliable assembly of the connector and backshell, it is suggested that Glenair's connector holding tools, strap wrenches and connector pliers be used.



## ASSEMBLY INSTRUCTIONS

### TYPE C1 HEAVY-DUTY SHIELD TERMINATIONS



The following suggested procedure serves as a guide for the proper assembly and installation of Glenair EMI/RFI Non-Environmental Backshells (Type C shield termination). It is recommended that trial samples of appropriate cables or harnesses be used to determine proper trim dimensions of the outer shield and individual conductors.

- a. Temporarily assemble backshell (1) to connector.
- b. Place ground ring (2) and strain relief (3) on cable or harness in sequence shown. Keep these components at a convenient distance from the end of the cable, so they will not interfere with subsequent assembly steps.
- c. Insert cable or harness into backshell (1) and bottom against connector. Hold cable in position and mark outer shield at rear end of backshell (1).
- d. Remove backshell from connector and place on cable with items in step (b) above.
- e. Trim outer shield at mark made in step (c) above.

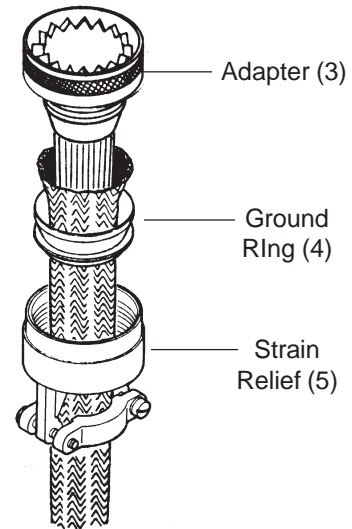
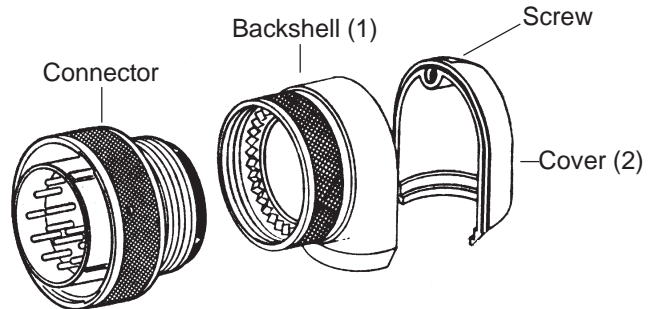
- f. Prepare and terminate individual conductors in accordance with established practices.
- g. Assemble backshell (1) to connector and tighten securely.
- h. Flare shield over tapered end of backshell (1) and slide ground ring (2) into place over shield. Hold ring in position and trim any exposed shield strands adjacent to rear threads on backshell.
- i. Engage strain relief (3) with backshell and tighten securely. Tighten strain relief saddles securely on cable or harness.

**NOTE:** As with any electrical connector assembly procedure, be sure to use the proper tools. For convenient, reliable assembly of the connector and backshell, it is suggested that Glenair's connector holding tools, strap wrenches and connector pliers be used.

## ASSEMBLY INSTRUCTIONS TYPE C2 LIGHT-DUTY SHIELD TERMINATIONS

The following suggested procedure serves as a guide for the proper assembly and installation of Glenair EMI/RFI Non-Environmental Split Backshell Assemblies (Type C shield termination). It is recommended that trial samples of appropriate cables or harnesses be used to determine proper trim dimensions of the outer shield and individual conductors.

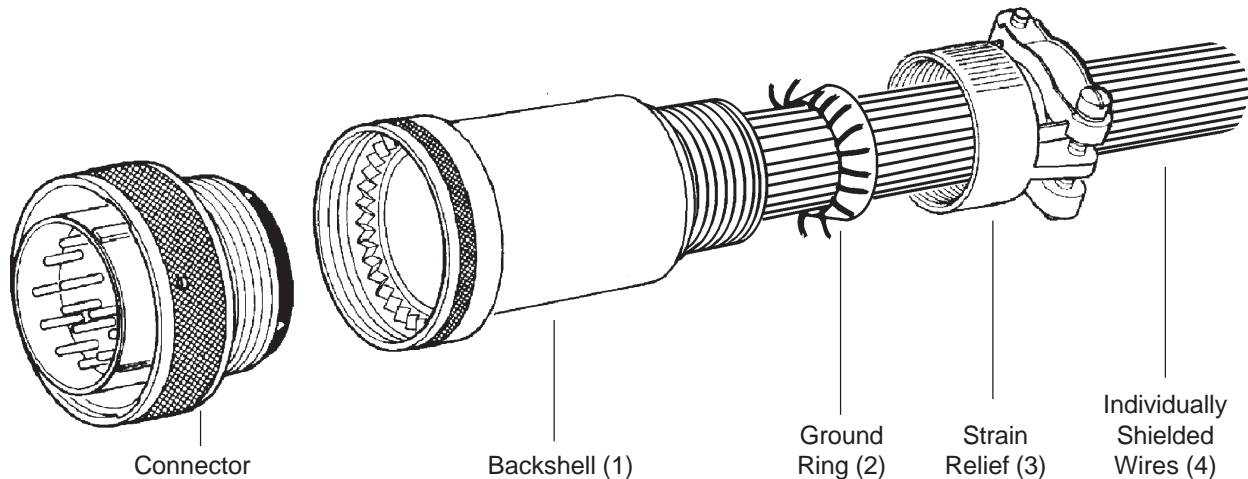
- a. Temporarily assemble backshell (1) to connector.
- b. Place adapter (3), ground ring (4) and strain relief (5) on cable or harness in sequence shown. Keep these components at a convenient distance from the end of the cable, so they will not interfere with subsequent assembly steps.
- c. Insert cable or harness into backshell (1) and bottom against connector. Form cable into angled position and mark outer shield at rear end of backshell (1).
- d. Remove backshell from connector and place on cable with components in step (b) above.
- e. Trim outer shield 1 inch below mark made in step (c) above.
- f. Prepare and terminate individual conductors in accordance with established practices.
- g. Assemble backshell (1) to connector and tighten securely, in desired orientation.
- h. Install cover (2) on backshell (1) making sure cover is aligned properly with backshell surface. Tighten captivated screw in cover (2) securely.
- i. Install adapter (3) on backshell and tighten securely.
- j. Flare shield over tapered end of adapter (3) and slide ground ring (4) into place over shield. Hold ring in position and trim any exposed shield strands adjacent to rear threads on backshell.



- i. Engage strain relief (5) with backshell and tighten securely. Tighten strain relief saddles securely on cable or harness.

NOTE: As with any electrical connector assembly procedure, be sure to use the proper tools. For convenient, reliable assembly of the connector and backshell, it is suggested that Glenair's connector holding tools, strap wrenches and connector pliers be used.

## ASSEMBLY INSTRUCTIONS TYPE D SHIELD TERMINATIONS

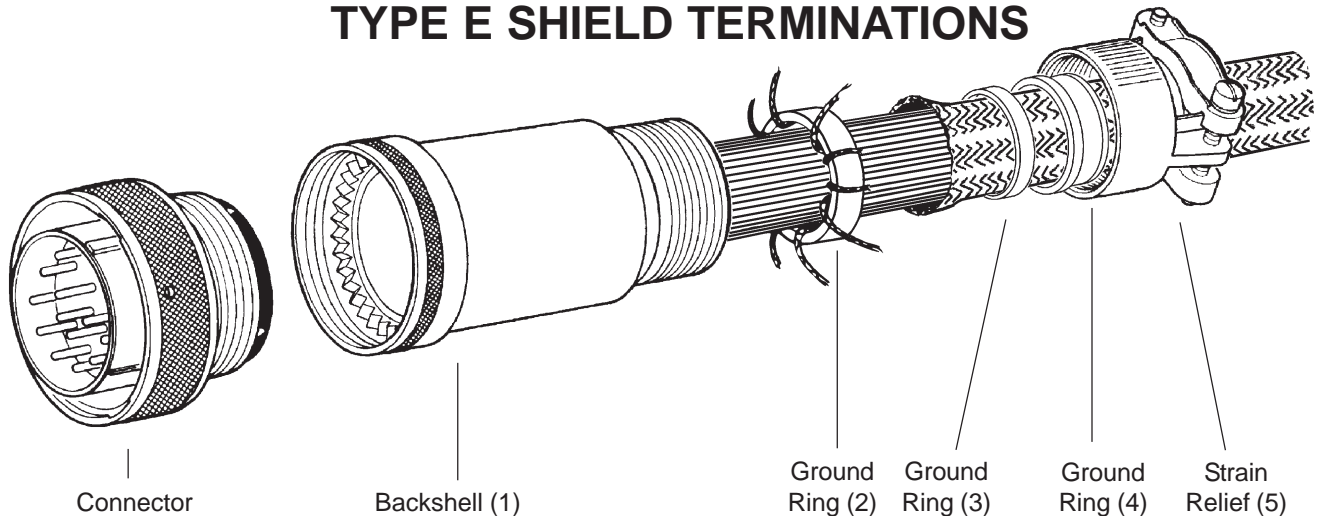


The following suggested procedure serves as a guide for the proper assembly and installation of Glenair EMI/RFI Non-Environmental Backshells (Type D shield termination). It is recommended that trial samples of appropriate cables or harnesses be used to determine proper trim dimensions of the outer shield and individual conductors.

- a. Temporarily assemble backshell (1) to connector.
- b. Place ground ring, adapter, and strain relief on cable or harness in sequence shown. Keep these components at a convenient distance from the end of the cable, so they will not interfere with subsequent assembly steps.
- c. Insert cable or harness into front adapter, and bottom against connector. Hold cable in position and mark outer shield at rear end of backshell adapter.
- d. Remove backshell from connector and place on cable with items in step (b) above.
- e. Trim outer shield at mark made in step (c) above. This procedure is for individually shielded conductors.
- f. Extract shield pigtail from individual conductor's. Tape or tie pigtails to the bundle.
- g. Prepare and terminate contacts to individual conductors in accordance with established practices. (Crimp or solder in place.)
- h. Slide adapter forward to connector, and tighten securely.
- i. Move the tapered ground ring forward near the rear of the adapter. Untie individual pigtails, and flare back over ground ring as to evenly disperse pigtails around the circumference of the ring. Tie or tape pigtails back to bundle allowing for approx. 1/2 inch of slack, for subsequent step.
- j. Push ground ring forward and into the angled area at the rear of the backshell adapter.
- k. Engage strain relief with adapter and tighten securely. Tighten strain relief saddles securely on cable or harness, this will then provide good shielding bonding to the adapter shell. (This same procedure can also be utilized for overall shield.)

**NOTE:** As with any electrical connector assembly procedure, be sure to use the proper tools. For convenient, reliable assembly of the connector and backshell, it is suggested that Glenair's connector holding tools, strap wrenches and connector pliers be used.

## ASSEMBLY INSTRUCTIONS TYPE E SHIELD TERMINATIONS



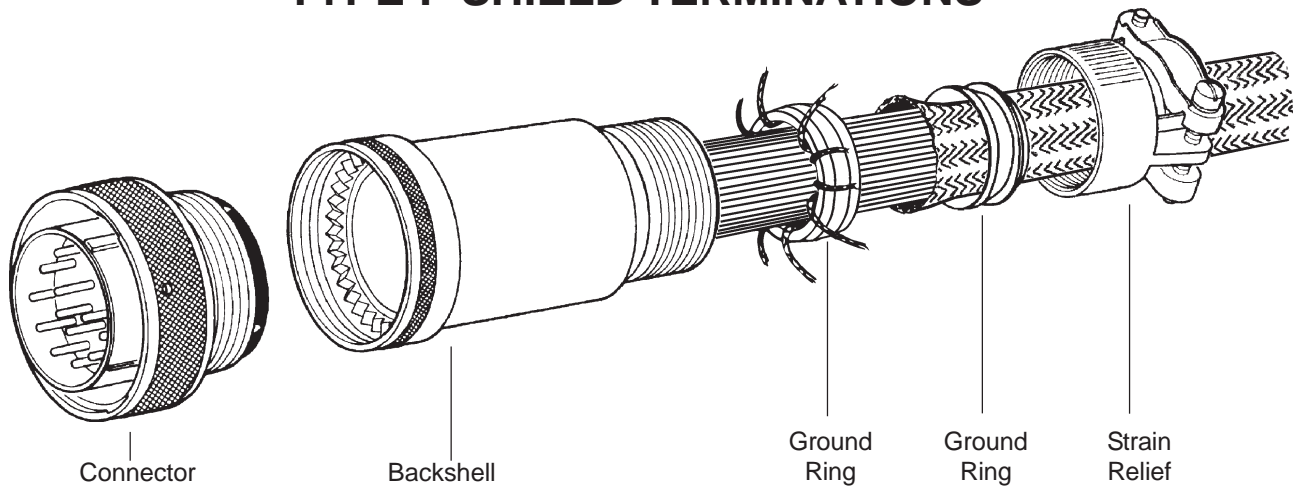
The following suggested procedure serves as a guide for the proper assembly and installation of Glenair EMI/RFI Non-Environmental Backshells (Type E shield termination). It is recommended that trial samples of appropriate cables or harnesses be used to determine proper trim dimensions of the outer shield and individual conductors. This procedure is for the three ring style.

- A. Temporarily assemble backshell (1) to connector.
- B. Place ground rings (2), (3), (4), and strain relief (5) on cable or harness in sequence shown. Keep these components at a convenient distance from the end of the cable, so they will not interfere with subsequent assembly steps.
- C. Insert cable or harness into backshell (1) and bottom against connector. Hold cable in position and mark outer shield at rear end of backshell (1).
- D. Remove backshell from connector and place on cable with items in step (b) above.
- E. Trim outer shield at mark made in step (c) above.
- F. Extract shield pigtail from individual conductor's. Tape or tie pigtails to the bundle.
- G. Prepare and terminate contacts to individual conductors in accordance with established practices. (Crimp or solder in place.)

- H. Slide backshell (1) forward to connector, and tighten securely.
- I. Remove tape or untie pigtails from bundle. Slide ground ring (2) forward to flared-out pigtails. Fold pigtails back over ground ring (2) tie back to bundle leaving about 1/2" to 1" slack.
- J. Bring ground ring (3) forward to overall braid, fold braid back over ring (3), push forward onto ring (2). Slide ground ring (4) onto overall braid and onto ring (3). . . push all three rings forward into the counter bore at the rear of backshell (1).
- K. Engage strain relief (5) with backshell and tighten securely. Tighten relief saddles securely on cable or harness. This will then provide a good ground or bonding joint for both the individual and over-all shields. (For the (2) ring style, ground ring (3) is omitted, and above steps I or J is utilized with either overall or individual braid(s).)

NOTE: As with any electrical connector assembly procedure, be sure to use the proper tools. For convenient, reliable assembly of the connector and backshell, it is suggested that Glenair's connector holding tools, strap wrenches and connector pliers be used.

## ASSEMBLY INSTRUCTIONS TYPE F SHIELD TERMINATIONS



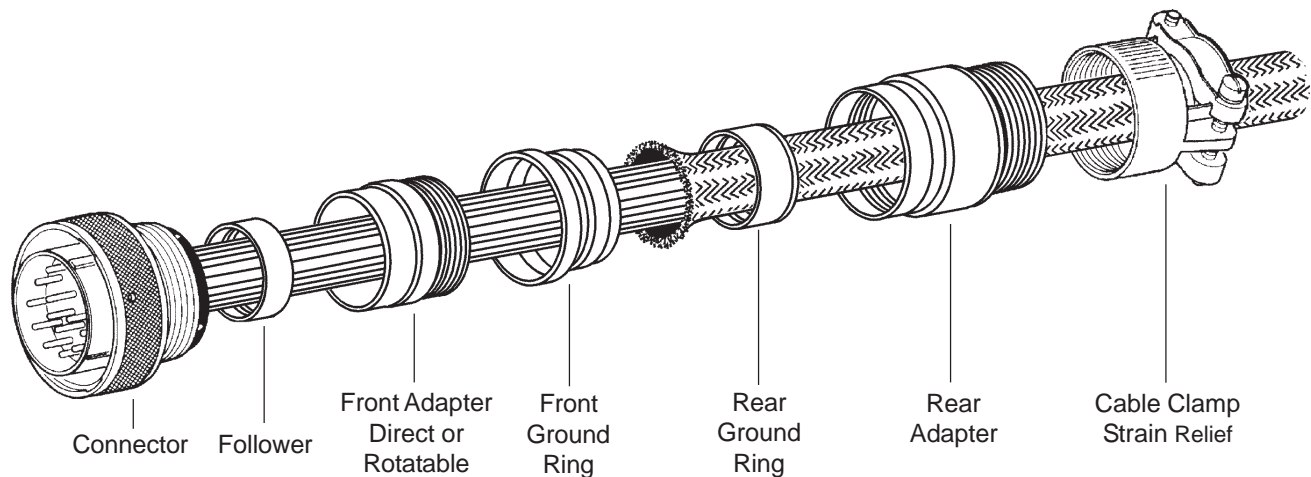
The following suggested procedure serves as a guide for the proper assembly and installation of Glenair EMI/RFI Non-Environmental Backshells (Type F shield termination). It is recommended that trial samples of appropriate cables or harnesses be used to determine proper trim dimensions of the outer shield and individual conductors.

- a. Temporarily assemble backshell to connector.
- b. Place ground rings and strain relief on cable or harness in sequence shown. Keep these components at a convenient distance from the end of the cable, so they will not interfere with subsequent assembly steps.
- c. Insert cable or harness into backshell and bottom against connector. Hold cable in position and mark outer shield at rear end of backshell adapter.
- d. Remove backshell from connector and place on cable with items in step (b) above.
- e. Trim outer shield at mark made in step (c) above.
- f. Extract shield pigtail from individual conductor's. Tape or tie pigtails to the bundle.
- g. Prepare and terminate contacts to individual conductors in accordance with established practices. (Crimp or solder in place.)
- h. Slide adapter forward to connector, and tighten securely.
- i. Move double beveled ground ring forward to pigtail shield area, fold back individual pigtails evenly over the beveled ring, tie or tape pigtails back onto wire bundle. (Note: Leave approximately 1/2" inch of slack for subsequent step.)
- j. Pull back over-all braid and push forward over beveled ring and individual pigtails. Slide rear ground ring forward into the angled counter bore at the rear of the adapter.
- k. Engage strain relief with adapter and tighten securely. Tighten strain relief saddles securely on cable or harness, this will then provide good shielding bonding to the adapter shell.

**NOTE:** As with any electrical connector assembly procedure, be sure to use the proper tools. For convenient, reliable assembly of the connector and backshell, it is suggested that Glenair's connector holding tools, strap wrenches and connector pliers be used.



## ASSEMBLY INSTRUCTIONS TYPE G SHIELD TERMINATIONS



The following suggested procedure serves as a guide for the proper assembly and installation of Glenair EMI/RFI Non-Environmental Backshells (Type G shield termination). It is recommended that trial samples of appropriate cables or harnesses be used to determine proper trim dimensions of the outer shield and/or individual conductors.

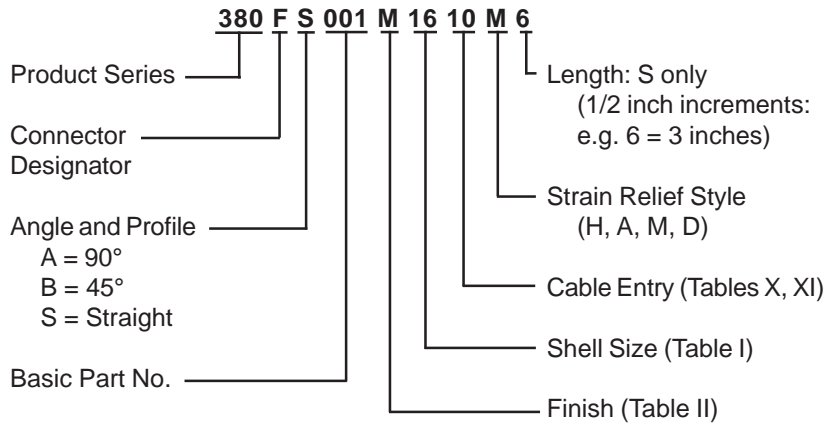
- a. Temporarily assemble backshell to connector.
- b. Place ground rings, adapters, and strain relief on cable or harness in sequence shown. Keep these components at a convenient distance from the end of the cable, so they will not interface with subsequent assembly steps.
- c. Insert cable or harness into front adapter, and bottom against connector. Hold cable in position and mark outer shield at rear end of this adapter.
- d. Remove adapter from connector and place on cable with items in step (b) above.
- e. Trim outer shield at mark made in step (c) above.
- f. Extract shield pigtail from individual conductor's. Tape or tie pigtails, or overall braid to the bundle.
- g. Prepare and terminate contacts to individual conductors in accordance with established practices. (Crimp or solder in place).
- h. Slide front adapter forward to connector, and tighten securely.
- i. Bring front ground ring forward to the front adapter (A) for individual termination untie or remove tape from step (f) and disperse evenly the individual pigtails over the tapered angle of the front ground ring (Note: pigtails may be spot-tied onto groove in ground ring). (B) for overall braid termination, slide braid forward over the tapered end of front ground ring, allow braid to bottom on ground ring shoulder.
- j. Slide rear ground ring forward to seat on matching angle of front ground ring.
- k. Move rear adapter forward, thread onto front adapter, this step will then provide the shield bonding captured between the two ground rings.
- l. Engage strain relief clamp with backshell and tighten securely. Tighten strain relief saddles securely on cable or harness.

NOTE: As with any electrical connector assembly procedure, be sure to use proper tools. For convenient, reliable assembly of the connector and backshell, it is suggested that Glenair's connector holding tools, strap wrenches and connector pliers be used.

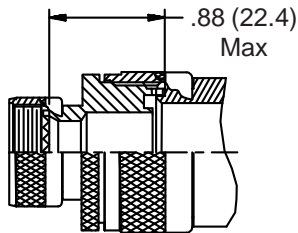


**380-001**  
**EMI/RFI Non-Environmental Backshell**  
**with Strain Relief**  
**Type A - Rotatable Coupling - Low Profile**

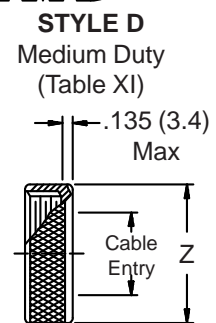
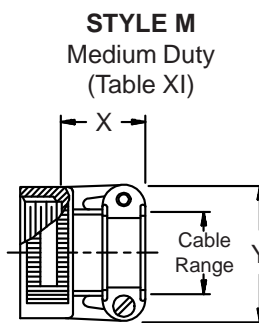
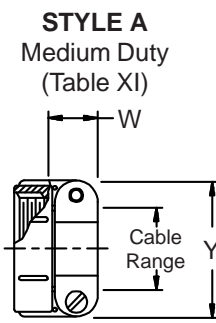
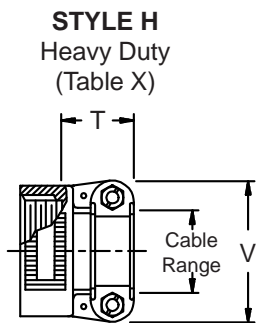
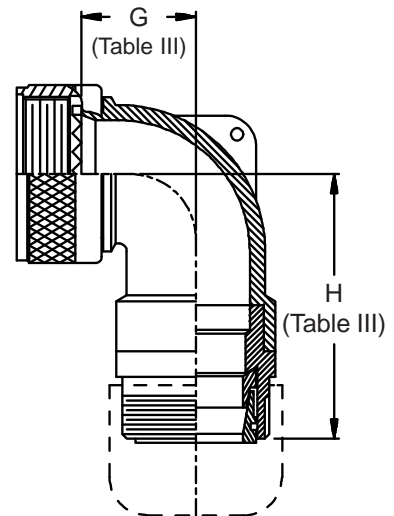
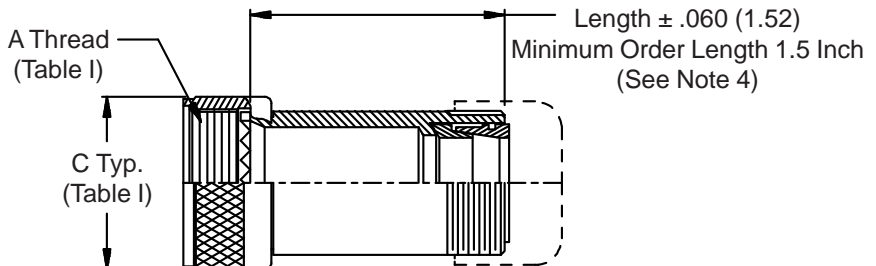
**CONNECTOR DESIGNATOR**  
**A-F-H-L-S**  
**ROTATABLE COUPLING**  
**TYPE A OVERALL SHIELD TERMINATION**



**STYLE 2**  
**(STRAIGHT**  
**See Note 1)**



**STYLE 2**  
**(45° & 90°**  
**See Note 1)**



# 380-001

## EMI/RFI Non-Environmental Backshell with Strain Relief

### Type A - Rotatable Coupling - Low Profile



**TABLE III: ELBOW DIMENSIONS**

Shell Size		E		F		G		H	
Conn. Desig.		Max		Max		Max		Max	
A-F-L-S	H								
08	09	.457	(11.6)	1.602	(40.7)	.500	(12.7)	1.612	(40.9)
10	11	.520	(13.2)	1.662	(42.2)	.595	(15.1)	1.732	(44.0)
12	13	.582	(14.8)	1.722	(43.7)	.610	(15.5)	1.752	(44.5)
14	15	.645	(16.4)	2.062	(52.4)	.700	(17.8)	2.072	(52.6)
16	17	.738	(18.7)	2.172	(55.2)	.885	(22.5)	2.162	(54.9)
18	19	.926	(23.5)	2.362	(60.0)	.975	(24.8)	2.332	(59.2)
20	21	.926	(23.5)	2.362	(60.0)	.975	(24.8)	2.332	(59.2)
22	23	1.020	(25.9)	2.512	(63.8)	1.125	(28.6)	2.442	(62.0)
24	25	1.020	(25.9)	2.512	(63.8)	1.125	(28.6)	2.442	(62.0)
28		1.145	(29.1)	2.562	(65.1)	1.225	(31.1)	2.612	(66.3)
32		1.207	(30.7)	2.662	(67.6)	1.575	(40.0)	2.862	(72.7)
36		1.238	(31.4)	2.752	(69.9)	1.775	(45.1)	2.862	(72.7)

See inside back cover  
fold-out or pages 13 and  
14 for unabridged  
Tables I and II.

**TABLE II: STANDARD FINISHES**

GLENAIR	
SYMBOL	FINISH
B	Cadmium Plate, Olive Drab
M	Electroless Nickel
NF	Cadmium Plate, Olive Drab Over Electroless Nickel
See Inside Back Cover for Additional Finish Options	

**TABLE X: CABLE ENTRY**

Dash No.	T Max	V Max	Cable Range			
			Min		Max	
04	.780 (19.8)	.957 (24.3)	.125 (3.2)	.312 (7.9)		
06	.780 (19.8)	1.145 (29.1)	.250 (6.4)	.437 (11.1)		
08	.780 (19.8)	1.332 (33.8)	.312 (7.9)	.562 (14.3)		
10	.780 (19.8)	1.332 (33.8)	.350 (8.9)	.625 (15.9)		
12	.811 (20.6)	1.551 (39.4)	.500 (12.7)	.750 (19.1)		
16	.905 (23.0)	1.770 (45.0)	.625 (15.9)	.937 (23.8)		
20	1.092 (27.7)	2.113 (53.7)	.875 (22.2)	1.250 (31.8)		
24	1.124 (28.5)	2.363 (60.0)	1.000 (25.4)	1.375 (34.9)		
28	1.399 (35.5)	2.770 (70.4)	1.250 (31.8)	1.625 (41.3)		
32	1.399 (35.5)	3.020 (76.7)	1.437 (36.5)	1.875 (47.6)		

- When maximum cable entry (page 21) is exceeded, Style 2 will be supplied. Dimensions E, F, G and H will not apply. Please consult factory.
- Metric dimensions (mm) are indicated in parentheses.
- Cable range is defined as the accommodations range for the wire bundle or cable. Dimensions shown are not intended for inspection criteria.
- Consult factory for shorter lengths on straight backshells.

**TABLE XI: CABLE ENTRY**

Dash No.	W Max	X Max	Y Max	Z Max	Cable Range			
					Min **		Max	
03*	.437 (11.1)	.760 (19.3)	.843 (21.4)	.630 (16.0)	.156 (4.0)	.250 (6.4)		
04*	.437 (11.1)	.760 (19.3)	.906 (23.0)	.755 (19.2)	.188 (4.8)	.312 (7.9)		
06*	.500 (12.7)	.760 (19.3)	1.093 (27.8)	.942 (23.9)	.281 (7.1)	.438 (11.1)		
08	.563 (14.3)	.760 (19.3)	1.187 (30.1)	1.067 (27.1)	.344 (8.7)	.562 (14.3)		
10	.563 (14.3)	.760 (19.3)	1.281 (32.5)	1.192 (30.3)	.375 (9.5)	.625 (15.9)		
12	.563 (14.3)	.760 (19.3)	1.500 (38.1)	1.380 (35.1)	.438 (11.1)	.750 (19.1)		
16	.656 (16.7)	1.073 (27.3)	1.719 (43.7)	1.535 (39.0)	.562 (14.3)	.938 (23.8)		
20	.656 (16.7)	1.323 (33.6)	2.062 (52.4)	1.848 (46.9)	.750 (19.1)	1.250 (31.8)		
24	.656 (16.7)	1.323 (33.6)	2.312 (58.7)	2.255 (57.3)	.781 (19.8)	1.375 (34.9)		
28	1.188 (30.2)	1.572 (39.9)	2.719 (69.1)	2.505 (63.6)	.969 (24.6)	1.625 (41.3)		
32*	1.187 (30.1)	1.572 (39.9)	2.969 (75.4)	2.755 (70.0)	1.125 (28.6)	1.875 (47.6)		
40*	1.125 (28.6)	1.572 (39.9)	3.531 (89.7)	3.255 (82.7)	1.469 (37.3)	2.375 (60.3)		

\* Not available in Style M clamp.      \*\* Not Applicable Style D

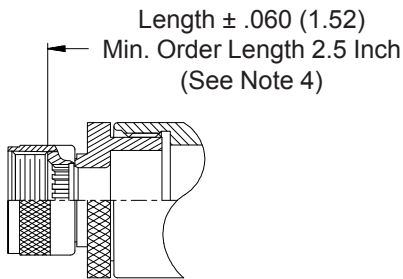
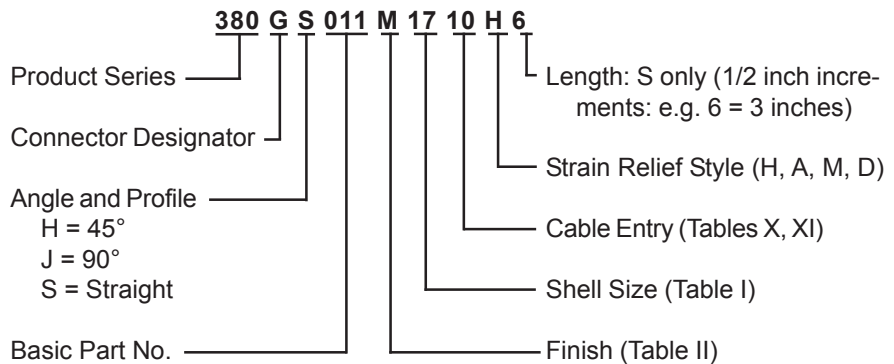
**380-011**  
**EMI/RFI Non-Environmental Backshell**  
**with Strain Relief**  
**Type A - Rotatable Coupling - Standard Profile**

**CONNECTOR  
DESIGNATOR**

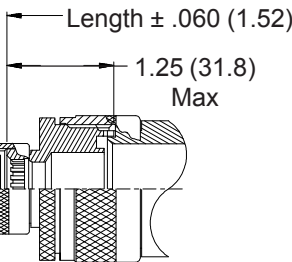
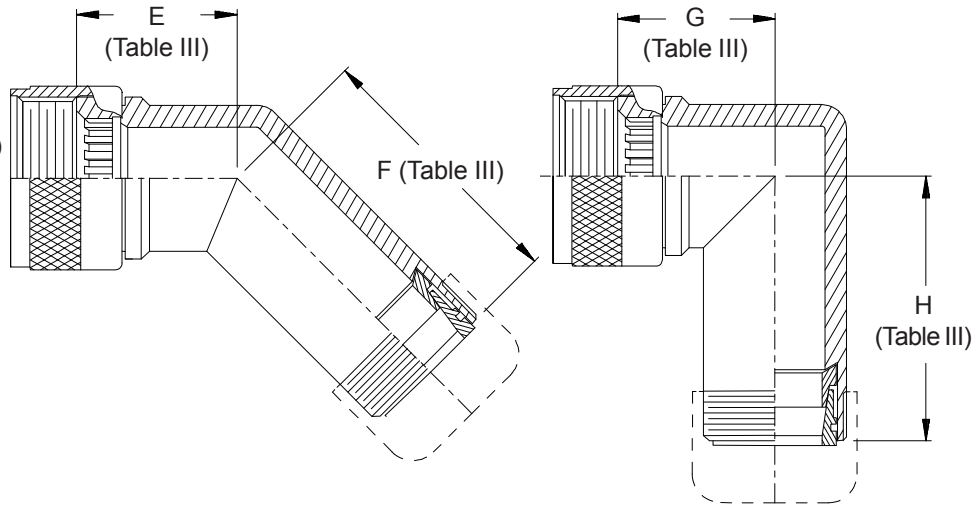
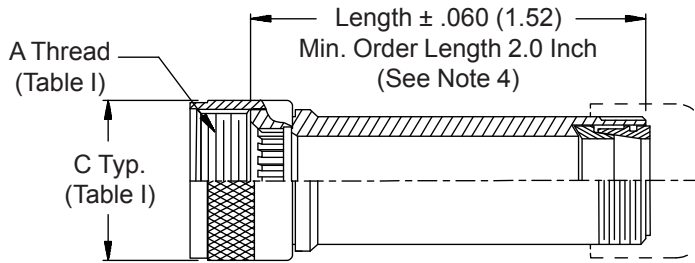
**G**

**ROTATABLE  
COUPLING**

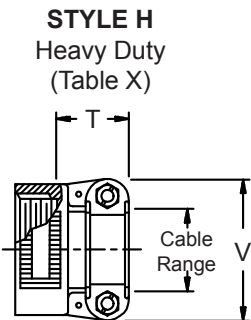
**TYPE A OVERALL  
SHIELD TERMINATION**



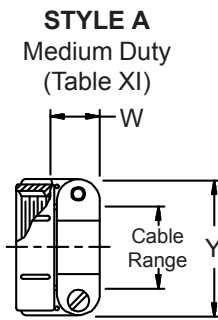
**STYLE 2  
(STRAIGHT  
See Note 1)**



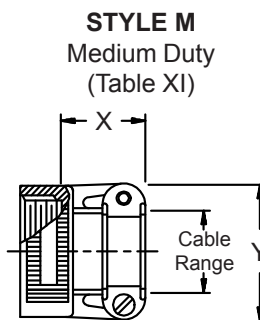
**STYLE 2  
(45° & 90°  
See Note 1)**



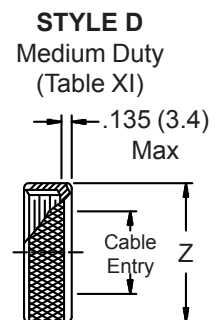
**STYLE H  
Heavy Duty  
(Table X)**



**STYLE A  
Medium Duty  
(Table XI)**



**STYLE M  
Medium Duty  
(Table XI)**



**STYLE D  
Medium Duty  
(Table XI)**

**380-011**  
**EMI/RFI Non-Environmental Backshell**  
 with Strain Relief  
 Type A - Rotatable Coupling - Standard Profile



See inside back cover fold-out or pages 13 and 14 for unabridged  
 Tables I and II.

Shell Size	E Max		F Max		G Max		H Max	
11	1.240	(31.5)	1.050	(26.7)	1.380	(35.1)	1.190	(30.2)
13	1.260	(32.0)	1.070	(27.2)	1.440	(36.6)	1.250	(31.8)
15	1.290	(32.8)	1.100	(27.9)	1.500	(38.1)	1.320	(33.5)
17	1.310	(33.3)	1.120	(28.4)	1.570	(39.9)	1.380	(35.1)
19	1.340	(34.0)	1.150	(29.2)	1.630	(41.4)	1.460	(37.1)
23	1.380	(35.1)	1.190	(30.2)	1.730	(43.9)	1.540	(39.1)
25	1.410	(35.8)	1.220	(31.0)	1.800	(45.7)	1.610	(40.9)
29	1.580	(40.1)	1.390	(35.3)	2.040	(51.8)	1.850	(47.0)
33	1.620	(41.1)	1.430	(36.3)	2.130	(54.1)	1.940	(49.3)

1. When maximum cable entry (page 21) is exceeded, Style 2 will be supplied. Dimensions E, F, G & H will not apply. Please consult factory.
2. Metric dimensions (mm) are indicated in parentheses.
3. Cable range is defined as the accommodations range for the wire bundle or cable. Dimensions shown are not intended for inspection criteria.
4. Consult factory for shorter lengths on straight backshells.

Dash No.	T Max	V Max	Cable Range			
			Min		Max	
04	.780 (19.8)	.957 (24.3)	.125 (3.2)	.312 (7.9)		
06	.780 (19.8)	1.145 (29.1)	.250 (6.4)	.437 (11.1)		
08	.780 (19.8)	1.332 (33.8)	.312 (7.9)	.562 (14.3)		
10	.780 (19.8)	1.332 (33.8)	.350 (8.9)	.625 (15.9)		
12	.811 (20.6)	1.551 (39.4)	.500 (12.7)	.750 (19.1)		
16	.905 (23.0)	1.770 (45.0)	.625 (15.9)	.937 (23.8)		
20	1.092 (27.7)	2.113 (53.7)	.875 (22.2)	1.250 (31.8)		
24	1.124 (28.5)	2.363 (60.0)	1.000 (25.4)	1.375 (34.9)		
28	1.399 (35.5)	2.770 (70.4)	1.250 (31.8)	1.625 (41.3)		
32	1.399 (35.5)	3.020 (76.7)	1.437 (36.5)	1.875 (47.6)		

GLENAIR SYMBOL	FINISH
B	Cadmium Plate, Olive Drab
M	Electroless Nickel
NF	Cadmium Plate, Olive Drab Over Electroless Nickel

See Inside Back Cover  
for Additional Finish Options

-445

Now Available  
with the "NESTOR"

**Add "-445" to Specify  
Glenair's Non-Detent,  
Spring-Loaded, Self-  
Locking Coupling. See  
Page 41 for Details.**

Dash No.	W Max	X Max	Y Max	Z Max	Cable Range		
					Min **		Max
03*	.437 (11.1)	.760 (19.3)	.843 (21.4)	.630 (16.0)	.156 (4.0)	.250 (6.4)	
04*	.437 (11.1)	.760 (19.3)	.906 (23.0)	.755 (19.2)	.188 (4.8)	.312 (7.9)	
06*	.500 (12.7)	.760 (19.3)	1.093 (27.8)	.942 (23.9)	.281 (7.1)	.438 (11.1)	
08	.563 (14.3)	.760 (19.3)	1.187 (30.1)	1.067 (27.1)	.344 (8.7)	.562 (14.3)	
10	.563 (14.3)	.760 (19.3)	1.281 (32.5)	1.192 (30.3)	.375 (9.5)	.625 (15.9)	
12	.563 (14.3)	.760 (19.3)	1.500 (38.1)	1.380 (35.1)	.438 (11.1)	.750 (19.1)	
16	.656 (16.7)	1.073 (27.3)	1.719 (43.7)	1.535 (39.0)	.562 (14.3)	.938 (23.8)	
20	.656 (16.7)	1.323 (33.6)	2.062 (52.4)	1.848 (46.9)	.750 (19.1)	1.250 (31.8)	
24	.656 (16.7)	1.323 (33.6)	2.312 (58.7)	2.255 (57.3)	.781 (19.8)	1.375 (34.9)	
28	1.188 (30.2)	1.572 (39.9)	2.719 (69.1)	2.505 (63.6)	.969 (24.6)	1.625 (41.3)	
32*	1.187 (30.1)	1.572 (39.9)	2.969 (75.4)	2.755 (70.0)	1.125 (28.6)	1.875 (47.6)	
40*	1.125 (28.6)	1.572 (39.9)	3.531 (89.7)	3.255 (82.7)	1.469 (37.3)	2.375 (60.3)	

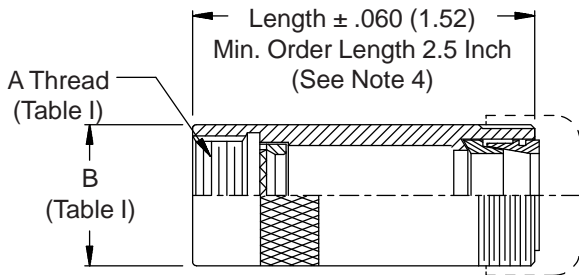
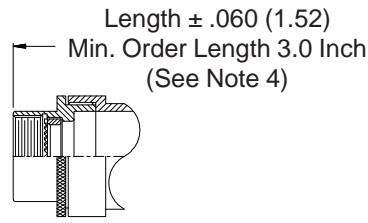
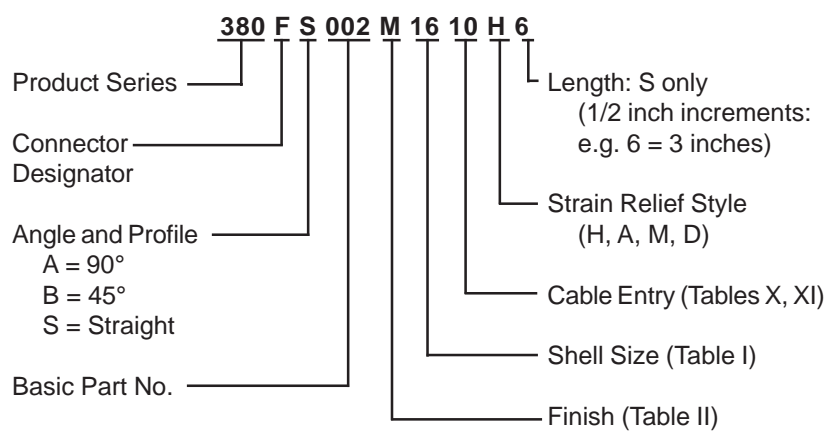
\* Not available in Style M clamp.      \*\* Not Applicable Style D

**380-002**  
**EMI/RFI Non-Environmental Backshell**  
 with Strain Relief  
 Type A - Direct Coupling - Low Profile

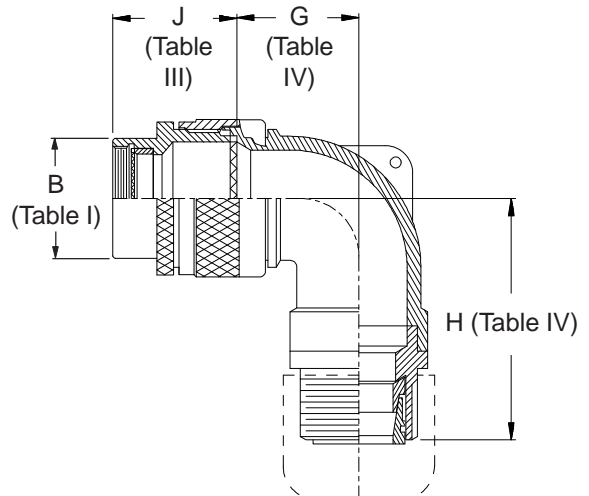
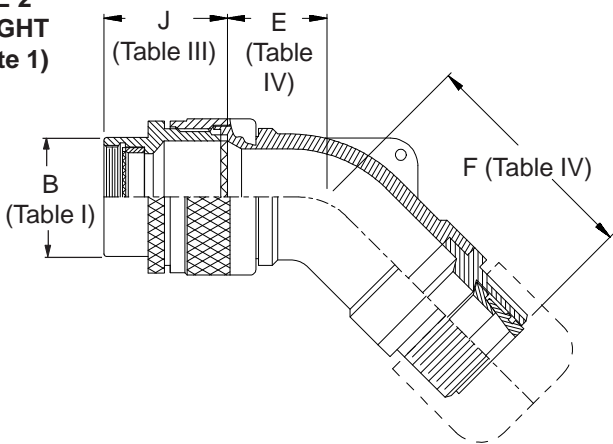
**CONNECTOR DESIGNATORS**  
**A-B\*-C-D-E-F**  
**G-H-J-K-L-S**

\* Conn. Desig. B See Note 5  
**DIRECT COUPLING**

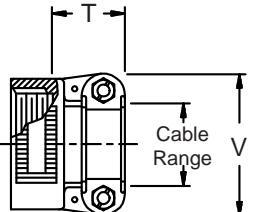
**TYPE A OVERALL SHIELD TERMINATION**



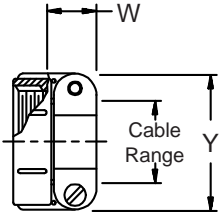
**STYLE 2 (STRAIGHT)**  
 See Note 1)



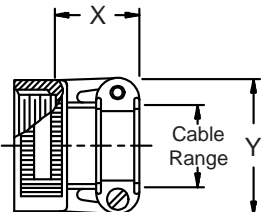
**STYLE H Heavy Duty**  
 (Table X)



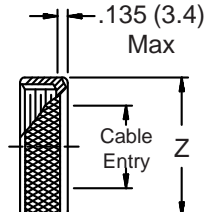
**STYLE A Medium Duty**  
 (Table XI)



**STYLE M Medium Duty**  
 (Table XI)



**STYLE D Medium Duty**  
 (Table XI)



**380-002**  
**EMI/RFI Non-Environmental Backshell**  
 with Strain Relief  
 Type A - Direct Coupling - Low Profile



**TABLE III: FRONT ADAPTER**

Shell Size	J Max - Conn. Designator		
	A-E-F		
	J-H-L-S	D-B-G-K	C
08/09	1.180 (30.0)	1.440 (36.6)	
10/11	1.180 (30.0)	1.440 (36.6)	
12/13	1.180 (30.0)	1.440 (36.6)	1.735 (44.1)
14/15	1.180 (30.0)	1.440 (36.6)	1.915 (48.6)
16/17	1.380 (35.0)	1.560 (39.6)	1.915 (48.6)
18/19	1.380 (35.0)	1.560 (39.6)	1.915 (48.6)
20/21	1.380 (35.0)	1.560 (39.6)	1.915 (48.6)
22/23	1.380 (35.0)	1.560 (39.6)	1.915 (48.6)
24/25	1.380 (35.0)	1.560 (39.6)	1.915 (48.6)
28/29	1.610 (40.9)	1.560 (39.6)	1.915 (48.6)
32/33	1.610 (40.9)	1.750 (44.5)	1.915 (48.6)
36	1.610 (40.9)	1.750 (44.5)	1.915 (48.6)
40	1.610 (40.9)	2.190 (55.6)	1.915 (48.6)

See inside back cover fold-out or pages 13 and 14 for unabridged Tables I and II.

**TABLE IV: ELBOW DIMENSIONS**

Elbow Size	E Max	F Max	G Max	H Max
04	.567 (14.4)	1.187 (30.1)	.636 (16.2)	1.200 (30.5)
06	.630 (16.0)	1.250 (31.8)	.710 (18.0)	1.320 (33.5)
08	.692 (17.6)	1.312 (33.3)	.731 (18.6)	1.340 (34.0)
10	.755 (19.2)	1.655 (42.0)	.825 (21.0)	1.660 (42.2)
12	.848 (21.5)	1.765 (44.8)	.988 (25.1)	1.750 (44.5)
16	1.036 (26.3)	1.952 (49.6)	1.087 (27.6)	1.925 (48.9)
20	1.130 (28.7)	2.098 (53.3)	1.325 (33.7)	2.033 (51.6)
24	1.255 (31.9)	2.155 (54.7)	1.337 (34.0)	2.200 (55.9)
28	1.317 (33.5)	2.250 (57.2)	1.827 (46.4)	2.450 (62.2)
32	1.348 (34.2)	2.343 (59.5)	2.027 (51.5)	2.450 (62.2)

**TABLE X: CABLE ENTRY**

Dash No.	T Max	V Max	Cable Range	
			Min	Max
04	.780 (19.8)	.957 (24.3)	.125 (3.2)	.312 (7.9)
06	.780 (19.8)	1.145 (29.1)	.250 (6.4)	.437 (11.1)
08	.780 (19.8)	1.332 (33.8)	.312 (7.9)	.562 (14.3)
10	.780 (19.8)	1.332 (33.8)	.350 (8.9)	.625 (15.9)
12	.811 (20.6)	1.551 (39.4)	.500 (12.7)	.750 (19.1)
16	.905 (23.0)	1.770 (45.0)	.625 (15.9)	.937 (23.8)
20	1.092 (27.7)	2.113 (53.7)	.875 (22.2)	1.250 (31.8)
24	1.124 (28.5)	2.363 (60.0)	1.000 (25.4)	1.375 (34.9)
28	1.399 (35.5)	2.770 (70.4)	1.250 (31.8)	1.625 (41.3)
32	1.399 (35.5)	3.020 (76.7)	1.437 (36.5)	1.875 (47.6)

**TABLE II: STANDARD FINISHES**

GLENAIR SYMBOL	FINISH
B	Cadmium Plate, Olive Drab
M	Electroless Nickel
NF	Cadmium Plate, Olive Drab Over Electroless Nickel

See Inside Back Cover for Additional Finish Options

- When maximum cable entry (page 22) is exceeded, Style 2 will be supplied. (Function S only.)
- Metric dimensions (mm) are indicated in parentheses.
- Cable range is defined as the accommodations range for the wire bundle or cable. Dimensions shown are not intended for inspection criteria.

**TABLE XI: CABLE ENTRY**

Dash No.	W Max	X Max	Y Max	Z Max	Cable Range	
					Min **	Max
03*	.437 (11.1)	.760 (19.3)	.843 (21.4)	.630 (16.0)	.156 (4.0)	.250 (6.4)
04*	.437 (11.1)	.760 (19.3)	.906 (23.0)	.755 (19.2)	.188 (4.8)	.312 (7.9)
06*	.500 (12.7)	.760 (19.3)	1.093 (27.8)	.942 (23.9)	.281 (7.1)	.438 (11.1)
08	.563 (14.3)	.760 (19.3)	1.187 (30.1)	1.067 (27.1)	.344 (8.7)	.562 (14.3)
10	.563 (14.3)	.760 (19.3)	1.281 (32.5)	1.192 (30.3)	.375 (9.5)	.625 (15.9)
12	.563 (14.3)	.760 (19.3)	1.500 (38.1)	1.380 (35.1)	.438 (11.1)	.750 (19.1)
16	.656 (16.7)	1.073 (27.3)	1.719 (43.7)	1.535 (39.0)	.562 (14.3)	.938 (23.8)
20	.656 (16.7)	1.323 (33.6)	2.062 (52.4)	1.848 (46.9)	.750 (19.1)	1.250 (31.8)
24	.656 (16.7)	1.323 (33.6)	2.312 (58.7)	2.255 (57.3)	.781 (19.8)	1.375 (34.9)
28	1.188 (30.2)	1.572 (39.9)	2.719 (69.1)	2.505 (63.6)	.969 (24.6)	1.625 (41.3)
32*	1.187 (30.1)	1.572 (39.9)	2.969 (75.4)	2.755 (70.0)	1.125 (28.6)	1.875 (47.6)
40*	1.125 (28.6)	1.572 (39.9)	3.531 (89.7)	3.255 (82.7)	1.469 (37.3)	2.375 (60.3)

\* Not available in Style M clamp.

\*\* Not Applicable Style D

- Consult factory for shorter lengths on straight backshells.
- Refer to pages 18 and 19 for connector designator B part number development.



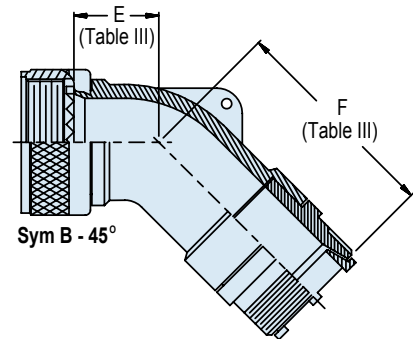
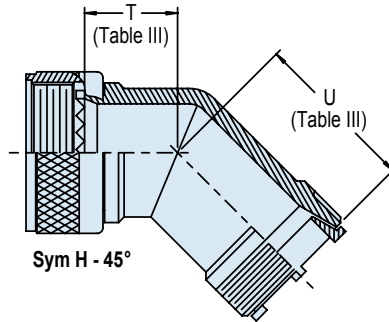
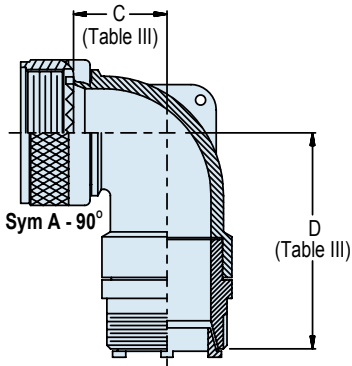
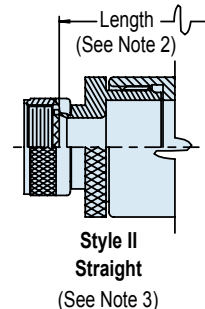
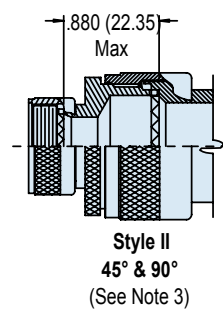
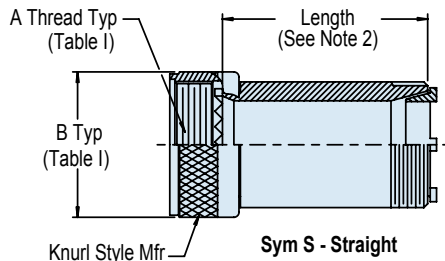
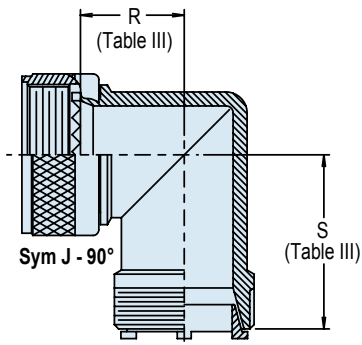
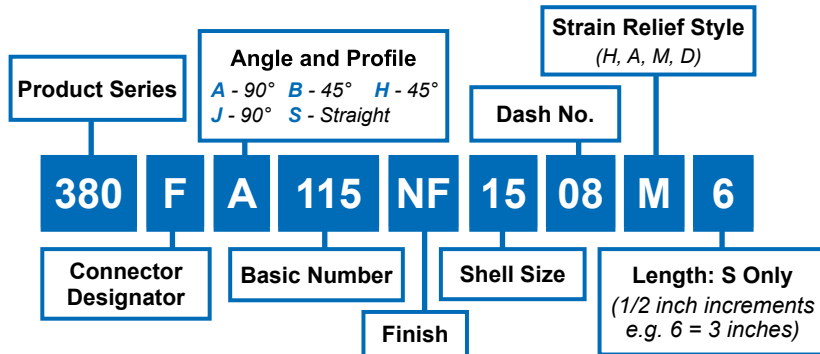
**CONNECTOR  
 DESIGNATORS**

MIL-DTL-38999 Series I, II (F)  
 MIL-DTL-38999 Series III and IV (H)

**A-F-H-L-S**

**ROTATABLE  
 COUPLING**

**TYPE B INDIVIDUAL  
 AND/OR OVERALL  
 SHIELD TERMINATION**

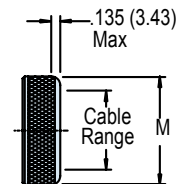
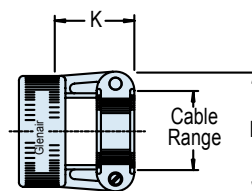
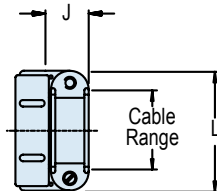
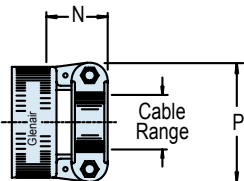


**STYLE H**  
 Heavy Duty  
 (Table VI)

**STYLE A**  
 Medium Duty  
 (Table V)

**STYLE M**  
 Medium Duty  
 (Table V)

**STYLE D**  
 Medium Duty  
 (Table V)



**380-115**  
**EMI/RFI Non-Environmental Backshell**  
**with Strain Relief**  
**Type B - Rotatable Coupling - Low Profile**



**TABLE III: ELBOW DIMENSIONS**

Shell Size			C	D	E	F	R	S	T	U
A	F,L,S	H	Max	Max	Max	Max	Max	Max	Max	Max
08	08	09	.500 (12.7)	1.684 (42.8)	.457 (11.6)	1.674 (42.5)	.910 (23.11)	1.910 (48.77)	.780 (19.81)	1.780 (45.21)
10	10	11	.595 (15.1)	1.804 (45.8)	.520 (13.2)	1.734 (44.0)	.970 (24.64)	1.970 (50.04)	.810 (20.57)	1.810 (45.97)
12	12	13	.610 (15.5)	1.824 (46.3)	.582 (14.8)	1.794 (45.6)	1.030 (26.16)	2.030 (50.56)	.830 (21.08)	1.830 (46.48)
14	14	15	.700 (17.8)	1.894 (48.1)	.645 (16.4)	1.884 (47.9)	1.090 (27.68)	2.090 (53.09)	.850 (21.59)	1.850 (46.99)
16	16	17	.885 (22.5)	1.984 (50.4)	.738 (18.7)	1.994 (50.6)	1.150 (29.21)	2.150 (54.61)	.880 (22.35)	1.880 (47.75)
18	18	19	.975 (24.8)	2.154 (54.7)	.926 (23.5)	2.184 (55.5)	1.200 (30.48)	2.200 (55.88)	.900 (22.86)	1.900 (48.26)
20	20	21	.975 (24.8)	2.154 (54.7)	.926 (23.5)	2.184 (55.5)	1.270 (32.26)	2.270 (57.66)	.930 (23.62)	1.930 (49.02)
22	22	23	1.125 (28.6)	2.264 (57.5)	1.020 (25.9)	2.334 (59.3)	1.330 (33.78)	2.330 (59.18)	.950 (24.13)	1.950 (49.53)
24	24	25	1.125 (28.6)	2.264 (57.5)	1.020 (25.9)	2.334 (59.3)	1.390 (35.31)	2.390 (60.71)	.980 (24.13)	1.980 (50.29)
28			1.225 (31.1)	2.434 (61.8)	1.145 (29.1)	2.384 (60.6)	1.460 (37.08)	2.460 (62.48)	1.150 (29.21)	2.150 (54.61)
32			1.575 (40.0)	2.684 (68.2)	1.207 (30.7)	2.484 (63.1)	1.590 (40.38)	2.590 (65.79)	1.210 (30.73)	2.210 (56.13)
36			1.775 (45.1)	2.684 (68.2)	1.238 (31.4)	2.574 (65.4)	1.690 (42.93)	2.690 (68.33)	1.240 (31.50)	2.240 (56.90)
40			N/A	N/A	N/A	N/A	1.900 (48.26)	2.200 (55.88)	1.250 (31.75)	1.590 (40.38)
44			N/A	N/A	N/A	N/A	2.030 (51.56)	2.360 (59.94)	1.300 (33.02)	1.640 (41.65)
48			N/A	N/A	N/A	N/A	2.180 (53.37)	2.530 (64.26)	1.370 (34.79)	1.720 (43.68)
61			N/A	N/A	N/A	N/A	1.290 (32.76)	1.490 (37.85)	.880 (22.35)	1.100 (27.94)

**TABLE II: FINISHES**

Sym	Finish
B	Cadmium Plate, Olive Drab
C*	Anodize, Black
G*	Hard Coat, Anodic
J	Gold Iridite over Cadmium Plate over Nickel
LF	Cadmium Plate, Bright over Electroless Nickel
M	Electroless Nickel
N	Cadmium Plate, Olive Drab over Nickel
NC	Zinc Cobalt, Dark Olive Drab
NF	Cad/O.D. over Electroless Nickel (1000 Hr. Salt Spray)
T	Cadmium Plate, Bright Dip over Nickel
U**	Cadmium Plate, Black
UC	Zinc Cobalt, Black
Z1**	Passivate
ZN	Zinc Nickel, Olive Drab

**TABLE IV: CABLE CLAMP CABLE RANGE**

Dash No.	N Max	P Max	Cable Range	
			Min	Max
04	.780 (19.8)	.957 (24.3)	.125 (3.2)	.312 (7.9)
06	.780 (19.8)	1.145 (29.1)	.250 (6.4)	.437 (11.1)
08	.780 (19.8)	1.332 (33.8)	.312 (7.9)	.562 (14.3)
10	.780 (19.8)	1.332 (33.8)	.350 (8.9)	.625 (15.9)
12	.811 (20.6)	1.551 (39.4)	.500 (12.7)	.750 (19.1)
16	.905 (23.0)	1.770 (45.0)	.625 (15.9)	.937 (23.8)
20	1.092 (27.7)	2.113 (53.7)	.875 (22.2)	1.250 (31.8)
24	1.124 (28.5)	2.363 (60.0)	1.000 (25.4)	1.375 (34.9)
28	1.399 (35.5)	2.770 (70.4)	1.250 (31.8)	1.625 (41.3)
32	1.399 (35.5)	3.020 (76.7)	1.437 (36.5)	1.875 (47.6)

**TABLE V: CABLE CLAMP CABLE RANGE**

Dash No.	J Max	K Max	L Max	M Max	Cable Range	
					Min**	Max
03*	.437 (11.1)	.760 (19.3)	.843 (21.4)	.630 (16.0)	.156 (4.0)	.250 (6.4)
04*	.437 (11.1)	.760 (19.3)	.906 (23.0)	.755 (19.2)	.188 (4.8)	.312 (7.9)
06*	.500 (12.7)	.760 (19.3)	1.093 (27.8)	.942 (23.9)	.281 (7.1)	.438 (11.1)
08	.563 (14.3)	.760 (19.3)	1.187 (30.1)	1.067 (27.1)	.344 (8.7)	.562 (14.3)
10	.563 (14.3)	.760 (19.3)	1.281 (32.5)	1.192 (30.3)	.375 (9.5)	.625 (15.9)
12	.563 (14.3)	.760 (19.3)	1.500 (38.1)	1.380 (35.1)	.438 (11.1)	.750 (19.1)
16	.656 (16.7)	1.073 (27.3)	1.719 (43.7)	1.535 (39.0)	.562 (14.3)	.938 (23.8)
20	.656 (16.7)	1.323 (33.6)	2.062 (52.4)	1.848 (46.9)	.750 (19.1)	1.250 (31.8)
24	.656 (16.7)	1.323 (33.6)	2.312 (58.7)	2.255 (57.3)	.781 (19.8)	1.375 (34.9)
28	1.188 (30.2)	1.572 (39.9)	2.719 (69.1)	2.505 (63.6)	.969 (24.6)	1.625 (41.3)
32*	1.187 (30.1)	1.572 (39.9)	2.969 (75.4)	2.755 (70.0)	1.125 (28.6)	1.875 (47.6)
40*	1.125 (28.6)	1.572 (39.9)	3.531 (89.7)	3.255 (82.7)	1.469 (37.3)	2.375 (60.3)

\* Not available in Style M clamp.

\*\* Not Applicable Style D

**APPLICATION NOTES**

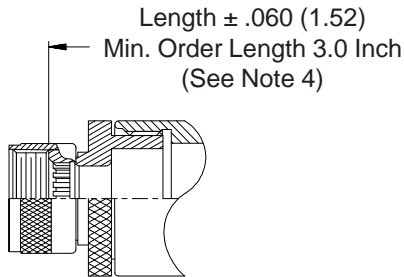
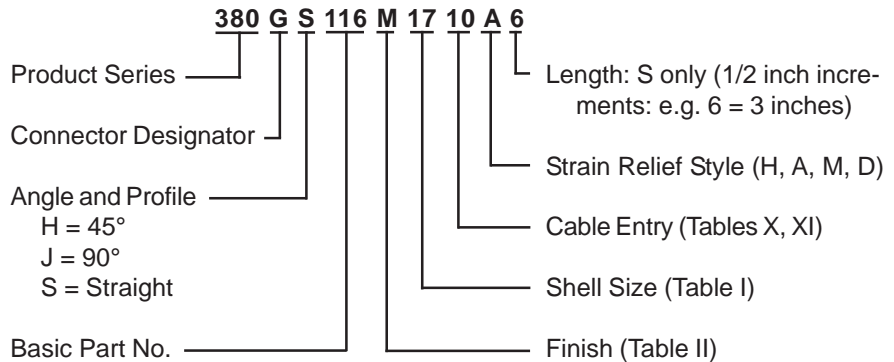
1. Assembly identified with manufacturer's name and part number, space permitting.
2. Standard minimum length for Style I is 1.500 inches, Style II standard length is 2.000 inches. For shorter lengths consult factory. Applies to Symbol S only.
3. When cable range exceeds Max Entry shown in Table IV, Style II will be supplied. Note: C, D, E, F, R, S, T and U dimensions do not apply to Style II.
4. Metric dimensions are in parentheses.
5. For effective grounding, connector with conductive finish should be used.
6. Glenair Series 600 Backshell Assembly Tools are recommended for assembly and installation.
7. Material/Finish:  
Elbow, adapter, coupling nut, ferrules and clamp - Aluminum alloy or SST/Table II.  
Hardware - CRES/Passivate
8. Angular functions A and B are currently not available in shell sizes 40, 44 and 61. Consult factory for suitable alternatives.

**CONNECTOR  
DESIGNATOR**

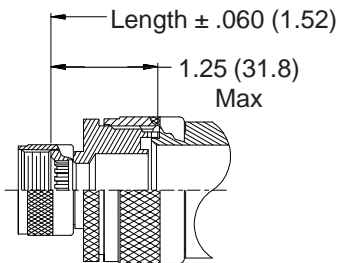
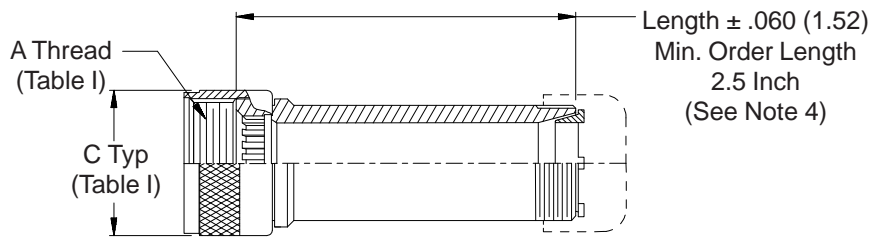
**G**

**ROTATABLE  
COUPLING**

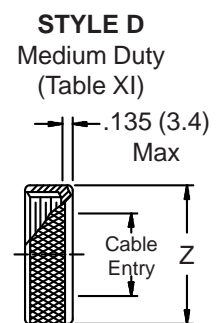
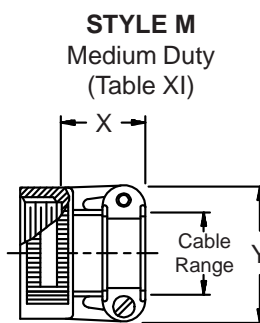
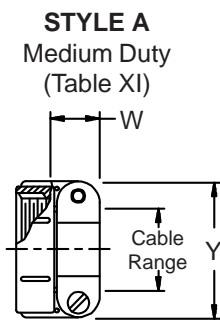
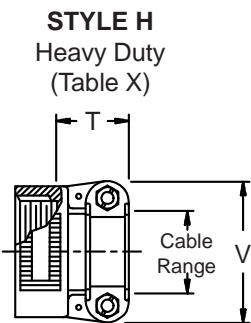
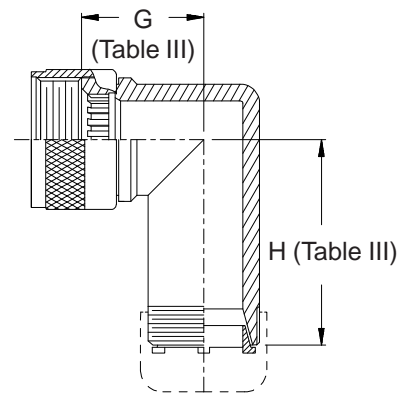
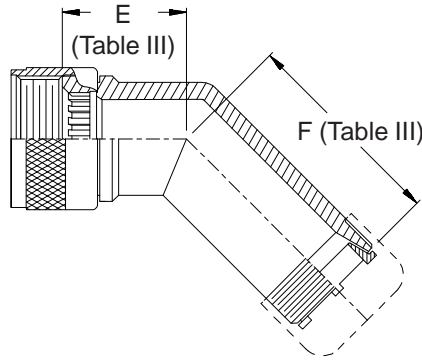
**TYPE B INDIVIDUAL  
AND/OR OVERALL  
SHIELD TERMINATION**



**STYLE 2  
(STRAIGHT  
See Note 1)**



**STYLE 2  
(45° & 90°  
See Note 1)**



**380-116**  
**EMI/RFI Non-Environmental Backshell**  
 with Strain Relief  
 Type B - Rotatable Coupling - Standard Profile



See inside back cover fold-out or pages 13 and 14 for unabridged Tables I and II.

Shell Size	E Max	F Max	G Max	H Max
11	1.240 (31.5)	.980 (24.9)	1.380 (35.1)	1.120 (28.4)
13	1.260 (32.0)	1.000 (25.4)	1.440 (36.6)	1.180 (30.0)
15	1.290 (32.8)	1.030 (26.2)	1.500 (38.1)	1.250 (31.8)
17	1.310 (33.3)	1.050 (26.7)	1.570 (39.9)	1.310 (33.3)
19	1.340 (34.0)	1.080 (27.4)	1.630 (41.4)	1.390 (35.3)
23	1.380 (35.1)	1.120 (28.4)	1.730 (43.9)	1.470 (37.3)
25	1.410 (35.8)	1.150 (29.2)	1.800 (45.7)	1.540 (39.1)
29	1.580 (40.1)	1.320 (33.5)	2.040 (51.8)	1.780 (45.2)
33	1.620 (41.1)	1.360 (34.5)	2.130 (54.1)	1.870 (47.5)

1. When maximum cable entry (page 21) is exceeded, Style 2 will be supplied. Dimensions E, F, G and H will not apply. Please consult factory.
2. Metric dimensions (mm) are indicated in parentheses.
3. Cable range is defined as the accommodations range for the wire bundle or cable. Dimensions shown are not intended for inspection criteria.
4. Consult factory for shorter lengths on straight backshells.

Dash No.	T Max	V Max	Cable Range	
			Min	Max
04	.780 (19.8)	.957 (24.3)	.125 (3.2)	.312 (7.9)
06	.780 (19.8)	1.145 (29.1)	.250 (6.4)	.437 (11.1)
08	.780 (19.8)	1.332 (33.8)	.312 (7.9)	.562 (14.3)
10	.780 (19.8)	1.332 (33.8)	.350 (8.9)	.625 (15.9)
12	.811 (20.6)	1.551 (39.4)	.500 (12.7)	.750 (19.1)
16	.905 (23.0)	1.770 (45.0)	.625 (15.9)	.937 (23.8)
20	1.092 (27.7)	2.113 (53.7)	.875 (22.2)	1.250 (31.8)
24	1.124 (28.5)	2.363 (60.0)	1.000 (25.4)	1.375 (34.9)
28	1.399 (35.5)	2.770 (70.4)	1.250 (31.8)	1.625 (41.3)
32	1.399 (35.5)	3.020 (76.7)	1.437 (36.5)	1.875 (47.6)

GLENNAIR SYMBOL	FINISH
B	Cadmium Plate, Olive Drab
M	Electroless Nickel
NF	Cadmium Plate, Olive Drab Over Electroless Nickel

See Inside Back Cover for Additional Finish Options

-445

Now Available with the "NESTOR"

Add "-445" to Specify Glenair's Non-Detent, Spring-Loaded, Self-Locking Coupling. See Page 41 for Details.

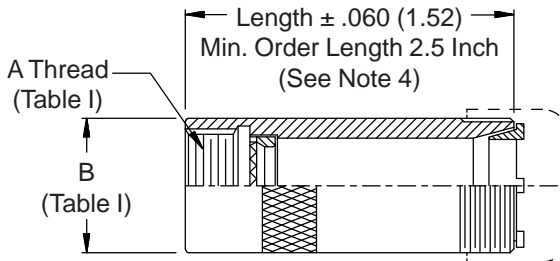
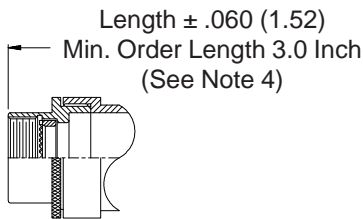
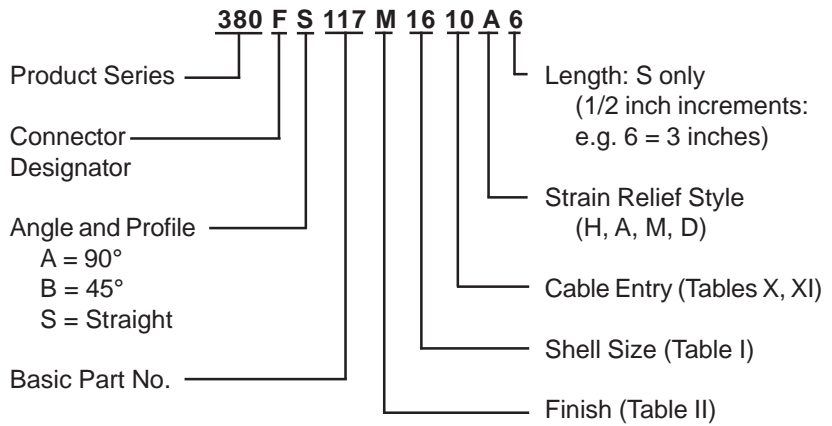
Dash No.	W Max	X Max	Y Max	Z Max	Cable Range	
					Min **	Max
03*	.437 (11.1)	.760 (19.3)	.843 (21.4)	.630 (16.0)	.156 (4.0)	.250 (6.4)
04*	.437 (11.1)	.760 (19.3)	.906 (23.0)	.755 (19.2)	.188 (4.8)	.312 (7.9)
06*	.500 (12.7)	.760 (19.3)	1.093 (27.8)	.942 (23.9)	.281 (7.1)	.438 (11.1)
08	.563 (14.3)	.760 (19.3)	1.187 (30.1)	1.067 (27.1)	.344 (8.7)	.562 (14.3)
10	.563 (14.3)	.760 (19.3)	1.281 (32.5)	1.192 (30.3)	.375 (9.5)	.625 (15.9)
12	.563 (14.3)	.760 (19.3)	1.500 (38.1)	1.380 (35.1)	.438 (11.1)	.750 (19.1)
16	.656 (16.7)	1.073 (27.3)	1.719 (43.7)	1.535 (39.0)	.562 (14.3)	.938 (23.8)
20	.656 (16.7)	1.323 (33.6)	2.062 (52.4)	1.848 (46.9)	.750 (19.1)	1.250 (31.8)
24	.656 (16.7)	1.323 (33.6)	2.312 (58.7)	2.255 (57.3)	.781 (19.8)	1.375 (34.9)
28	1.188 (30.2)	1.572 (39.9)	2.719 (69.1)	2.505 (63.6)	.969 (24.6)	1.625 (41.3)
32*	1.187 (30.1)	1.572 (39.9)	2.969 (75.4)	2.755 (70.0)	1.125 (28.6)	1.875 (47.6)
40*	1.125 (28.6)	1.572 (39.9)	3.531 (89.7)	3.255 (82.7)	1.469 (37.3)	2.375 (60.3)

\* Not available in Style M clamp. \*\* Not Applicable Style D

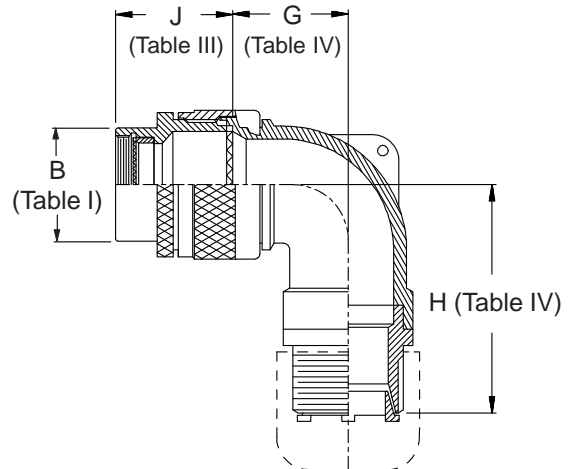
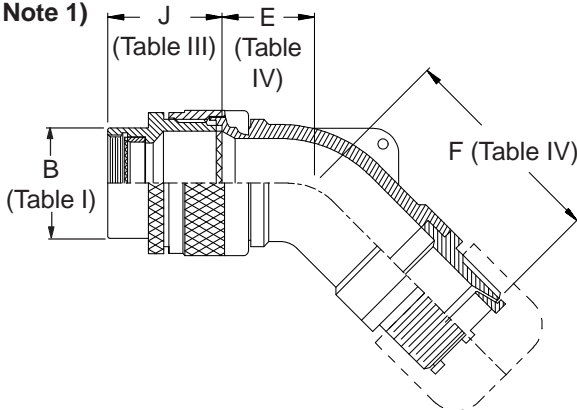
**CONNECTOR  
 DESIGNATORS**  
**A-B\*-C-D-E-F**  
**G-H-J-K-L-S**

\* Conn. Desig. B See Note 5  
**DIRECT  
 COUPLING**

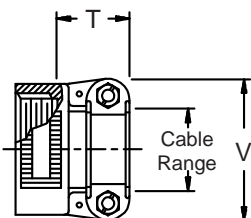
**TYPE B INDIVIDUAL  
 AND/OR OVERALL  
 SHIELD TERMINATION**



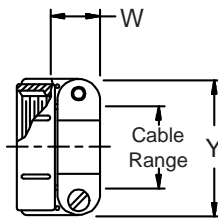
**STYLE 2  
 (STRAIGHT  
 See Note 1)**



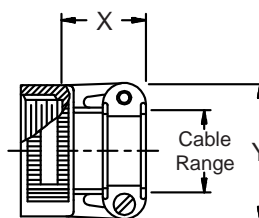
**STYLE H  
 Heavy Duty  
 (Table X)**



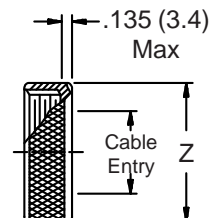
**STYLE A  
 Medium Duty  
 (Table XI)**



**STYLE M  
 Medium Duty  
 (Table XI)**



**STYLE D  
 Medium Duty  
 (Table XI)**



**380-117**  
**EMI/RFI Non-Environmental Backshell**  
 with Strain Relief  
 Type B - Direct Coupling - Low Profile



See inside back cover fold-out or pages 13 and 14 for unabridged Tables I and II.

TABLE III: FRONT ADAPTER			
Shell Size	J Max - Conn. Designator		
	A-E-F		C
	J-H-L-S	D-B-G-K	
08/09	1.180 (30.0)	1.440 (36.6)	
10/11	1.180 (30.0)	1.440 (36.6)	
12/13	1.180 (30.0)	1.440 (36.6)	1.735 (44.1)
14/15	1.180 (30.0)	1.440 (36.6)	1.915 (48.6)
16/17	1.380 (35.0)	1.560 (39.6)	1.915 (48.6)
18/19	1.380 (35.0)	1.560 (39.6)	1.915 (48.6)
20/21	1.380 (35.0)	1.560 (39.6)	1.915 (48.6)
22/23	1.380 (35.0)	1.560 (39.6)	1.915 (48.6)
24/25	1.380 (35.0)	1.560 (39.6)	1.915 (48.6)
28/29	1.610 (40.9)	1.560 (39.6)	1.915 (48.6)
32/33	1.610 (40.9)	1.750 (44.5)	1.915 (48.6)
36	1.610 (40.9)	1.750 (44.5)	1.915 (48.6)
40	1.610 (40.9)	2.190 (55.6)	1.915 (48.6)

TABLE IV: ELBOW DIMENSIONS					
Elbow Size	E Max	F Max	G Max	H Max	
04	.567 (14.4)	1.674 (42.5)	.636 (16.2)	1.684 (42.8)	
06	.630 (16.0)	1.734 (44.0)	.710 (18.0)	1.804 (45.8)	
08	.692 (17.6)	1.794 (45.6)	.731 (18.6)	1.824 (46.3)	
10	.755 (19.2)	1.884 (47.9)	.825 (21.0)	1.894 (48.1)	
12	.848 (21.5)	1.994 (50.6)	.988 (25.1)	1.984 (50.4)	
16	1.036 (26.3)	2.184 (55.5)	1.087 (27.6)	2.154 (54.7)	
20	1.130 (28.7)	2.334 (59.3)	1.325 (33.7)	2.264 (57.5)	
24	1.255 (31.9)	2.384 (60.6)	1.337 (34.0)	2.434 (61.8)	
28	1.317 (33.5)	2.484 (63.1)	1.827 (46.4)	2.684 (68.2)	
32	1.348 (34.2)	2.574 (65.4)	2.027 (51.5)	2.684 (68.2)	

TABLE II: STANDARD FINISHES	
GLENAIR SYMBOL	FINISH
B	Cadmium Plate, Olive Drab
M	Electroless Nickel
NF	Cadmium Plate, Olive Drab Over Electroless Nickel
See Inside Back Cover for Additional Finish Options	

TABLE X: CABLE ENTRY					
Dash No.	T Max	V Max	Cable Range		
			Min		Max
04	.780 (19.8)	.957 (24.3)	.125 (3.2)	.312 (7.9)	
06	.780 (19.8)	1.145 (29.1)	.250 (6.4)	.437 (11.1)	
08	.780 (19.8)	1.332 (33.8)	.312 (7.9)	.562 (14.3)	
10	.780 (19.8)	1.332 (33.8)	.350 (8.9)	.625 (15.9)	
12	.811 (20.6)	1.551 (39.4)	.500 (12.7)	.750 (19.1)	
16	.905 (23.0)	1.770 (45.0)	.625 (15.9)	.937 (23.8)	
20	1.092 (27.7)	2.113 (53.7)	.875 (22.2)	1.250 (31.8)	
24	1.124 (28.5)	2.363 (60.0)	1.000 (25.4)	1.375 (34.9)	
28	1.399 (35.5)	2.770 (70.4)	1.250 (31.8)	1.625 (41.3)	
32	1.399 (35.5)	3.020 (76.7)	1.437 (36.5)	1.875 (47.6)	

- When maximum cable entry (page 22) is exceeded, Style 2 will be supplied. (Function S only.)
- Metric dimensions (mm) are indicated in parentheses.
- Cable range is defined as the accommodations range for the wire bundle or cable. Dimensions shown are not intended for inspection criteria.

TABLE XI: CABLE ENTRY							
Dash No.	W Max	X Max	Y Max	Z Max	Cable Range		
					Min **		Max
03*	.437 (11.1)	.760 (19.3)	.843 (21.4)	.630 (16.0)	.156 (4.0)	.250 (6.4)	
04*	.437 (11.1)	.760 (19.3)	.906 (23.0)	.755 (19.2)	.188 (4.8)	.312 (7.9)	
06*	.500 (12.7)	.760 (19.3)	1.093 (27.8)	.942 (23.9)	.281 (7.1)	.438 (11.1)	
08	.563 (14.3)	.760 (19.3)	1.187 (30.1)	1.067 (27.1)	.344 (8.7)	.562 (14.3)	
10	.563 (14.3)	.760 (19.3)	1.281 (32.5)	1.192 (30.3)	.375 (9.5)	.625 (15.9)	
12	.563 (14.3)	.760 (19.3)	1.500 (38.1)	1.380 (35.1)	.438 (11.1)	.750 (19.1)	
16	.656 (16.7)	1.073 (27.3)	1.719 (43.7)	1.535 (39.0)	.562 (14.3)	.938 (23.8)	
20	.656 (16.7)	1.323 (33.6)	2.062 (52.4)	1.848 (46.9)	.750 (19.1)	1.250 (31.8)	
24	.656 (16.7)	1.323 (33.6)	2.312 (58.7)	2.255 (57.3)	.781 (19.8)	1.375 (34.9)	
28	1.188 (30.2)	1.572 (39.9)	2.719 (69.1)	2.505 (63.6)	.969 (24.6)	1.625 (41.3)	
32*	1.187 (30.1)	1.572 (39.9)	2.969 (75.4)	2.755 (70.0)	1.125 (28.6)	1.875 (47.6)	
40*	1.125 (28.6)	1.572 (39.9)	3.531 (89.7)	3.255 (82.7)	1.469 (37.3)	2.375 (60.3)	

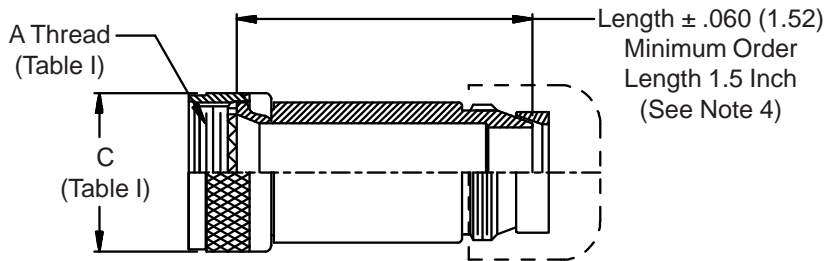
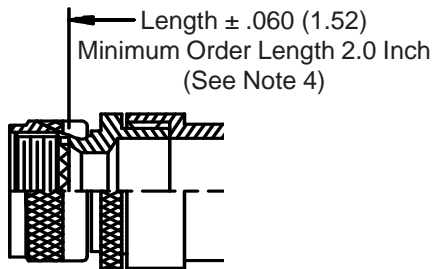
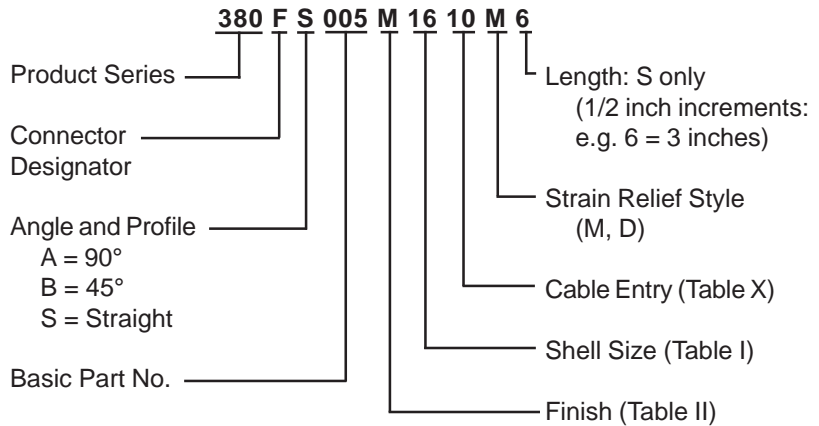
- Consult factory for shorter lengths on straight backshells.
- When using Connector Designator B refer to pages 18 and 19 for part number development.

\* Not available in Style M clamp.

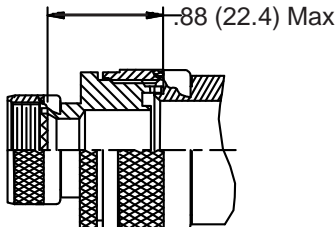
\*\* Not Applicable Style D



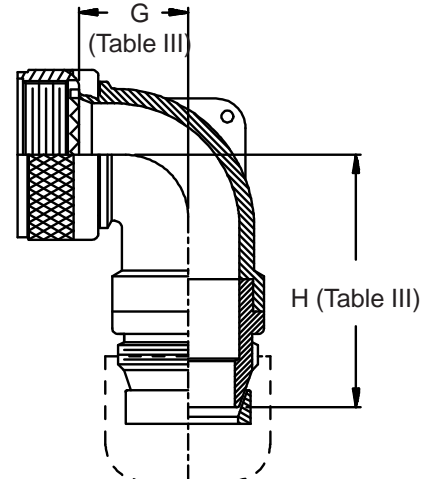
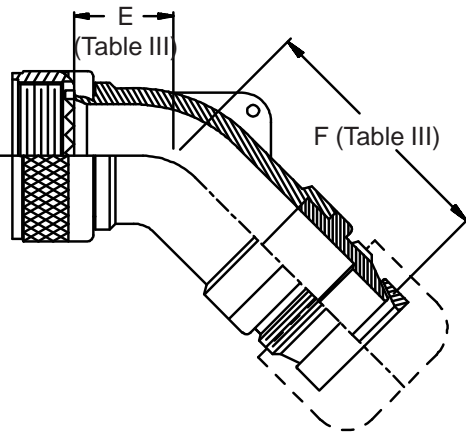
**CONNECTOR  
 DESIGNATORS**  
**A-F-H-L-S**  
**ROTATABLE  
 COUPLING**  
**TYPE C OVERALL  
 SHIELD TERMINATION**



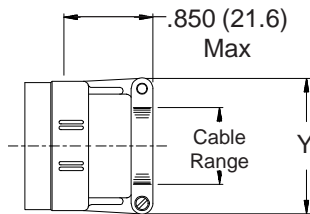
**STYLE 2  
 (STRAIGHT  
 See Note 1)**



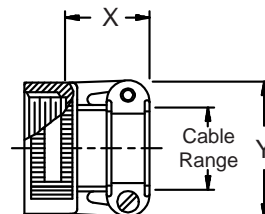
**STYLE 2  
 (45° & 90°  
 See Note 1)**



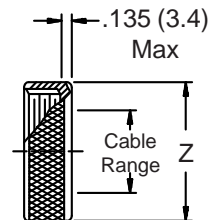
**STYLE M  
 Medium Duty - Dash No. 01-04  
 (Table X)**



**STYLE M  
 Medium Duty - Dash No. 10-28  
 (Table X)**



**STYLE D  
 Medium Duty  
 (Table X)**



**380-005**  
**EMI/RFI Non-Environmental Backshell**  
**Heavy-Duty with Strain Relief**  
**Type C - Rotatable Coupling - Low Profile**



See inside back cover fold-out or pages 13 and 14 for Unabridged Tables I and II.

TABLE III: ELBOW DIMENSIONS									
Shell Size		E		F		G		H	
A-F-L-S	Conn. Desig. H	Max		Max		Max		Max	
08	09	.457	(11.6)	1.848	(46.9)	.500	(12.7)	1.858	(47.2)
10	11	.520	(13.2)	1.908	(48.5)	.595	(15.1)	1.978	(50.2)
12	13	.582	(14.8)	1.968	(50.0)	.610	(15.5)	1.998	(50.7)
14	15	.645	(16.4)	2.347	(59.6)	.700	(17.8)	2.357	(59.9)
16	17	.738	(18.7)	2.457	(62.4)	.885	(22.5)	2.447	(62.2)
18	19	.926	(23.5)	2.647	(67.2)	.975	(24.8)	2.617	(66.5)
20	21	.926	(23.5)	2.647	(67.2)	.975	(24.8)	2.617	(66.5)
22	23	1.020	(25.9)	2.922	(74.2)	1.125	(28.6)	2.852	(72.4)
24	25	1.020	(25.9)	2.922	(74.2)	1.125	(28.6)	2.852	(72.4)
28		1.145	(29.1)	2.972	(75.5)	1.225	(31.1)	3.022	(76.8)
32		1.207	(30.7)	3.072	(78.0)	1.575	(40.0)	3.272	(83.1)
36		1.238	(31.4)	3.162	(80.3)	1.775	(45.1)	3.272	(83.1)

TABLE X: CABLE ENTRY						
Dash No.	X Max	Y Max	Z Max	Cable Range		
				Min	Max	
01	.850 (21.6)	.781 (19.8)	.593 (15.1)	.062 (1.6)	.125 (3.2)	
02	.850 (21.6)	.968 (24.6)	.718 (18.2)	.125 (3.2)	.250 (6.4)	
03	.850 (21.6)	1.046 (26.6)	.843 (21.4)	.250 (6.4)	.375 (9.5)	
04	.850 (21.6)	1.156 (29.4)	.968 (24.6)	.375 (9.5)	.500 (12.7)	
10	.760 (19.3)	1.281 (32.5)	1.192 (30.3)	.375 (9.5)	.625 (15.9)	
12	.760 (19.3)	1.500 (38.1)	1.380 (35.1)	.438 (11.1)	.750 (19.1)	
16	1.073 (27.3)	1.719 (43.7)	1.535 (39.0)	.562 (14.3)	.938 (23.8)	
20	1.323 (33.6)	2.062 (52.4)	1.848 (46.9)	.750 (19.1)	1.250 (31.8)	
24	1.323 (33.6)	2.312 (58.7)	2.255 (57.3)	.875 (22.2)	1.375 (34.9)	
28	1.572 (39.9)	2.719 (69.1)	2.505 (63.6)	1.125 (28.6)	1.625 (41.3)	

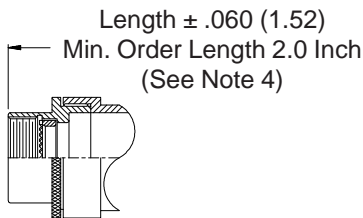
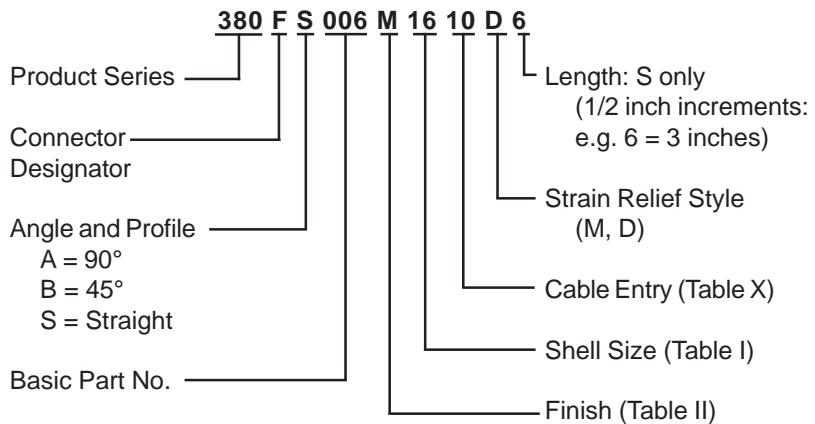
- When maximum cable entry (page 21) is exceeded, Style 2 will be supplied.  
Dimensions E, F, G and H will not apply. Please consult factory.
- Metric dimensions (mm) are indicated in parentheses.
- Cable range is defined as the accommodations range for the wire bundle or cable.  
Dimensions shown are not intended for inspection criteria.
- Consult factory for shorter lengths on straight backshells.

TABLE II: STANDARD FINISHES	
GLENAIR SYMBOL	FINISH
B	Cadmium Plate, Olive Drab
M	Electroless Nickel
NF	Cadmium Plate, Olive Drab Over Electroless Nickel
See Inside Back Cover for Additional Finish Options	

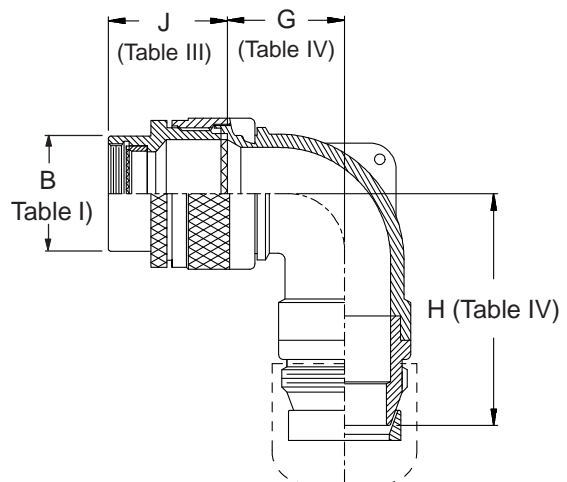
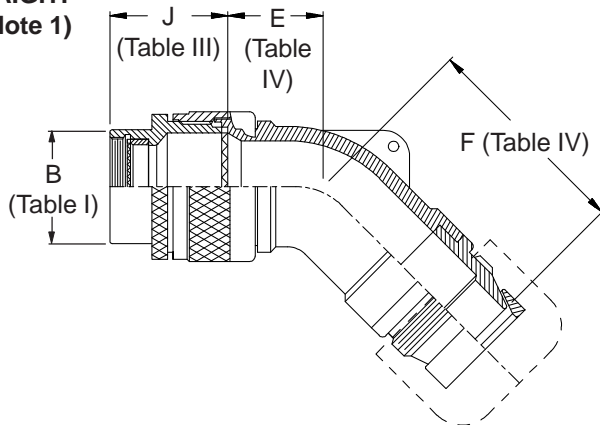
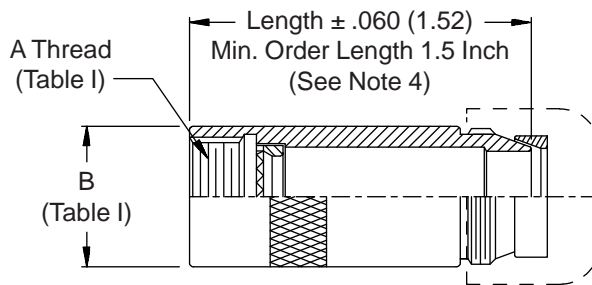
**CONNECTOR  
 DESIGNATORS**  
**A-B\*-C-D-E-F**  
**G-H-J-K-L-S**

\* Conn. Desig. B See Note 5  
**DIRECT  
 COUPLING**

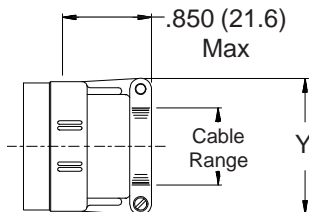
**TYPE C OVERALL  
 SHIELD TERMINATION**



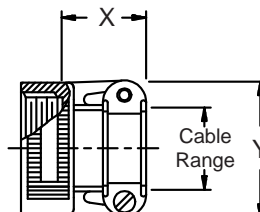
**STYLE 2  
 (STRAIGHT  
 See Note 1)**



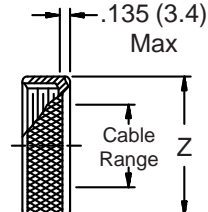
**STYLE M**  
 Medium Duty - Dash No. 01-04  
 (Table X)



**STYLE M**  
 Medium Duty - Dash No. 10-28  
 (Table X)



**STYLE D**  
 Medium Duty  
 (Table X)



**380-006**  
**EMI/RFI Non-Environmental Backshell**  
**Heavy-Duty with Strain Relief**  
**Type C - Direct Coupling - Low Profile**



**TABLE III: FRONT ADAPTER**

Shell Size	J Max - Conn. Designator		
	A-E-F		
	J-H-L-S	D-B-G-K	C
08/09	1.180 (30.0)	1.440 (36.6)	
10/11	1.180 (30.0)	1.440 (36.6)	
12/13	1.180 (30.0)	1.440 (36.6)	1.735 (44.1)
14/15	1.180 (30.0)	1.440 (36.6)	1.915 (48.6)
16/17	1.380 (35.0)	1.560 (39.6)	1.915 (48.6)
18/19	1.380 (35.0)	1.560 (39.6)	1.915 (48.6)
20/21	1.380 (35.0)	1.560 (39.6)	1.915 (48.6)
22/23	1.380 (35.0)	1.560 (39.6)	1.915 (48.6)
24/25	1.380 (35.0)	1.560 (39.6)	1.915 (48.6)
28/29	1.610 (40.9)	1.560 (39.6)	1.915 (48.6)
32/33	1.610 (40.9)	1.750 (44.5)	1.915 (48.6)
36	1.610 (40.9)	1.750 (44.5)	1.915 (48.6)
40	1.610 (40.9)	2.190 (55.6)	1.915 (48.6)

See inside back cover  
fold-out or pages 13 and  
14 for unabridged  
Tables I and II.

1. When maximum cable entry (page 22) is exceeded, Style 2 will be supplied. (Function S only.)
2. Metric dimensions (mm) are indicated in parentheses.
3. Cable range is defined as the accommodations range for the wire bundle or cable. Dimensions shown are not intended for inspection criteria.
4. Consult factory for shorter lengths on straight backshells.
5. When using Connector Designator B refer to pages 18 and 19 for part number development.

**TABLE IV: ELBOW DIMENSIONS**

Elbow Size	E Max	F Max	G Max	H Max
01	.567 (14.4)	1.848 (46.9)	.636 (16.2)	1.858 (47.2)
02	.567 (14.4)	1.848 (46.9)	.636 (16.2)	1.858 (47.2)
03	.630 (16.0)	1.908 (48.5)	.710 (18.0)	1.978 (50.2)
04	.692 (17.6)	1.968 (50.0)	.731 (18.6)	1.998 (50.7)
10	.755 (19.2)	2.347 (59.6)	.825 (21.0)	2.357 (59.9)
12	.848 (21.5)	2.457 (62.4)	.988 (25.1)	2.447 (62.2)
16	1.036 (26.3)	2.647 (67.2)	1.087 (27.6)	2.617 (66.5)
20	1.130 (28.7)	2.922 (74.2)	1.325 (33.7)	2.852 (72.4)
24	1.255 (31.9)	2.972 (75.5)	1.337 (34.0)	3.022 (76.8)
28	1.317 (33.5)	3.072 (78.0)	1.827 (46.4)	3.272 (83.1)
32	1.348 (34.2)	3.162 (80.3)	2.027 (51.5)	3.272 (83.1)

**TABLE II: STANDARD FINISHES**

GLENAIR	
SYMBOL	FINISH
B	Cadmium Plate, Olive Drab
M	Electroless Nickel
NF	Cadmium Plate, Olive Drab Over Electroless Nickel
See Inside Back Cover for Additional Finish Options	

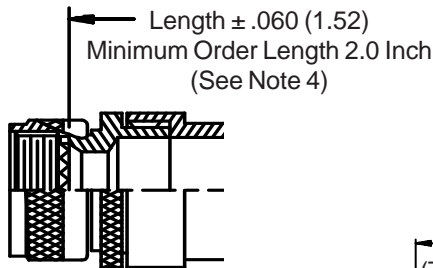
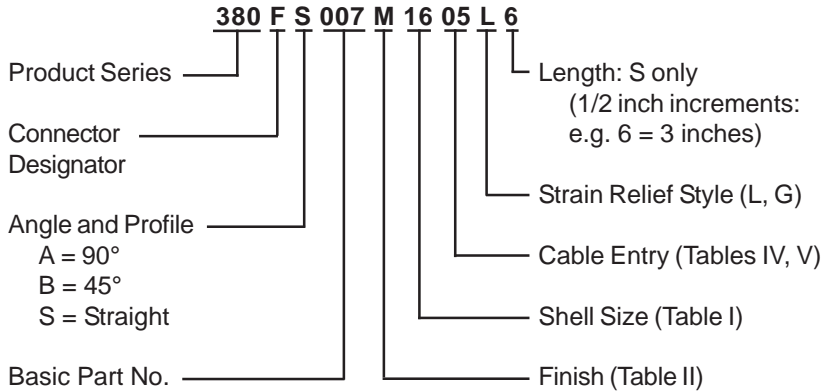
**TABLE X: CABLE ENTRY**

Dash No.	X Max	Y Max	Z Max	Cable Range	
				Min	Max
01	.850 (21.6)	.781 (19.8)	.593 (15.1)	.062 (1.6)	.125 (3.2)
02	.850 (21.6)	.968 (24.6)	.718 (18.2)	.125 (3.2)	.250 (6.4)
03	.850 (21.6)	1.046 (26.6)	.843 (21.4)	.250 (6.4)	.375 (9.5)
04	.850 (21.6)	1.156 (29.4)	.968 (24.6)	.375 (9.5)	.500 (12.7)
10	.760 (19.3)	1.281 (32.5)	1.192 (30.3)	.375 (9.5)	.625 (15.9)
12	.760 (19.3)	1.500 (38.1)	1.380 (35.1)	.438 (11.1)	.750 (19.1)
16	1.073 (27.3)	1.719 (43.7)	1.535 (39.0)	.562 (14.3)	.938 (23.8)
20	1.323 (33.6)	2.062 (52.4)	1.848 (46.9)	.750 (19.1)	1.250 (31.8)
24	1.323 (33.6)	2.312 (58.7)	2.255 (57.3)	.875 (22.2)	1.375 (34.9)
28	1.572 (39.9)	2.719 (69.1)	2.505 (63.6)	1.125 (28.6)	1.625 (41.3)

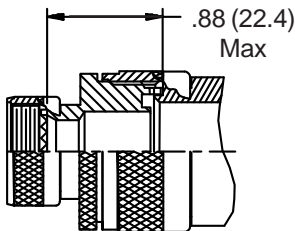
**CONNECTOR DESIGNATORS**  
**A-F-H-L-S**

**ROTATABLE COUPLING**

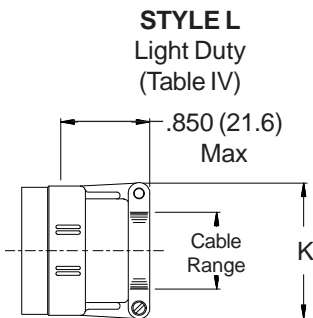
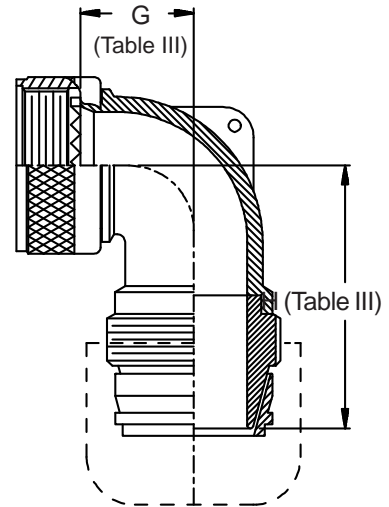
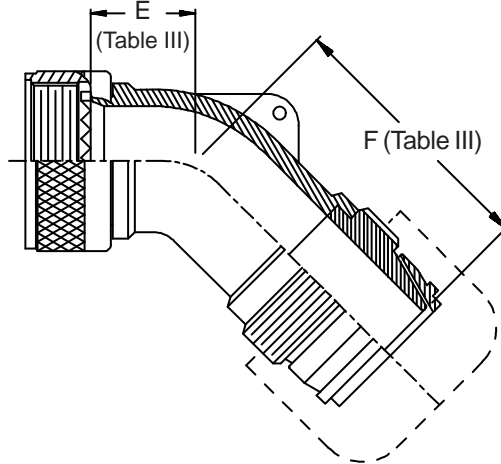
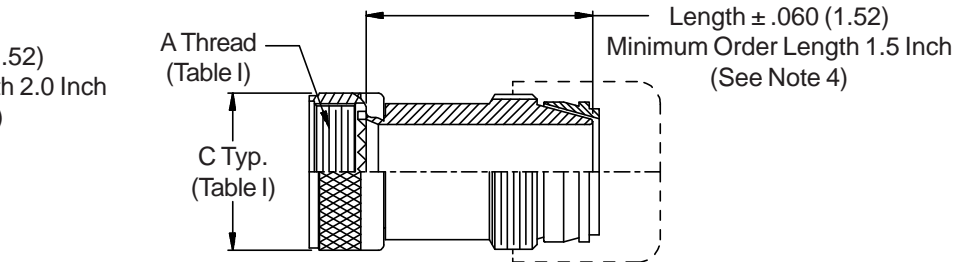
**TYPE C OVERALL SHIELD TERMINATION**



**STYLE 2**  
 (STRAIGHT  
 See Note 1)

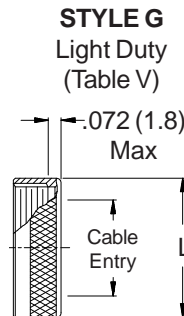


**STYLE 2**  
 (45° & 90°  
 See Note 1)



**-445** Now Available with the "NESTOR"

**Glenair's Non-Detent, Spring-Loaded, Self-Locking Coupling.**  
 Add "-445" to Specify This AS85049 Style "N" Coupling Interface.



**380-007**  
**EMI/RFI Non-Environmental Backshell**  
**Light-Duty with Strain Relief**  
**Type C - Rotatable Coupling - Low Profile**



See inside back cover fold-out or pages 13 and 14 for unabridged Tables I and II.

**TABLE III: ELBOW DIMENSIONS**

Shell Size		E	F	G	H
Conn. Desig.	H	Max	Max	Max	Max
A-F-L-S					
08	09	.457 (11.6)	1.680 (42.7)	.500 (12.7)	1.781 (45.2)
10	11	.520 (13.2)	1.740 (44.2)	.595 (15.1)	1.901 (48.3)
12	13	.582 (14.8)	1.800 (45.7)	.610 (15.5)	1.921 (48.8)
14	15	.645 (16.4)	1.890 (48.0)	.700 (17.8)	1.991 (50.6)
16	17	.738 (18.7)	2.000 (50.8)	.885 (22.5)	2.081 (52.9)
18	19	.926 (23.5)	2.190 (55.6)	.975 (24.8)	2.251 (57.2)
20	21	.926 (23.5)	2.190 (55.6)	.975 (24.8)	2.251 (57.2)
22	23	1.020 (25.9)	2.340 (59.4)	1.125 (28.6)	2.361 (60.0)
24	25	1.020 (25.9)	2.340 (59.4)	1.125 (28.6)	2.361 (60.0)
28		1.145 (29.1)	2.390 (60.7)	1.225 (31.1)	2.531 (64.3)
36		1.207 (30.7)	2.490 (63.2)	1.575 (40.0)	2.781 (70.6)
40		1.238 (31.4)	2.580 (65.5)	1.775 (45.1)	2.781 (70.6)

**TABLE II: STANDARD FINISHES**

GLENAIR	
SYMBOL	FINISH
B	Cadmium Plate, Olive Drab
M	Electroless Nickel
NF	Cadmium Plate, Olive Drab Over Electroless Nickel

See Inside Back Cover for Additional Finish Options

**TABLE IV: CABLE ENTRY**

Dash No.	K Max	Cable Range	
		Min	Max
01	.781 (19.8)	.062 (1.6)	.125 (3.2)
02	.968 (24.6)	.125 (3.2)	.250 (6.4)
03	1.046 (26.6)	.250 (6.4)	.375 (9.5)
04	1.156 (29.4)	.250 (6.4)	.500 (12.7)
05	1.218 (30.9)	.375 (9.5)	.625 (15.9)
06	1.343 (34.1)	.500 (12.7)	.750 (19.1)
07	1.468 (37.3)	.625 (15.9)	.875 (22.2)
08	1.593 (40.5)	.625 (15.9)	1.000 (25.4)
09	1.718 (43.6)	.750 (19.1)	1.125 (28.6)
10	1.843 (46.8)	.875 (22.2)	1.250 (31.8)

**TABLE V: CABLE ENTRY**

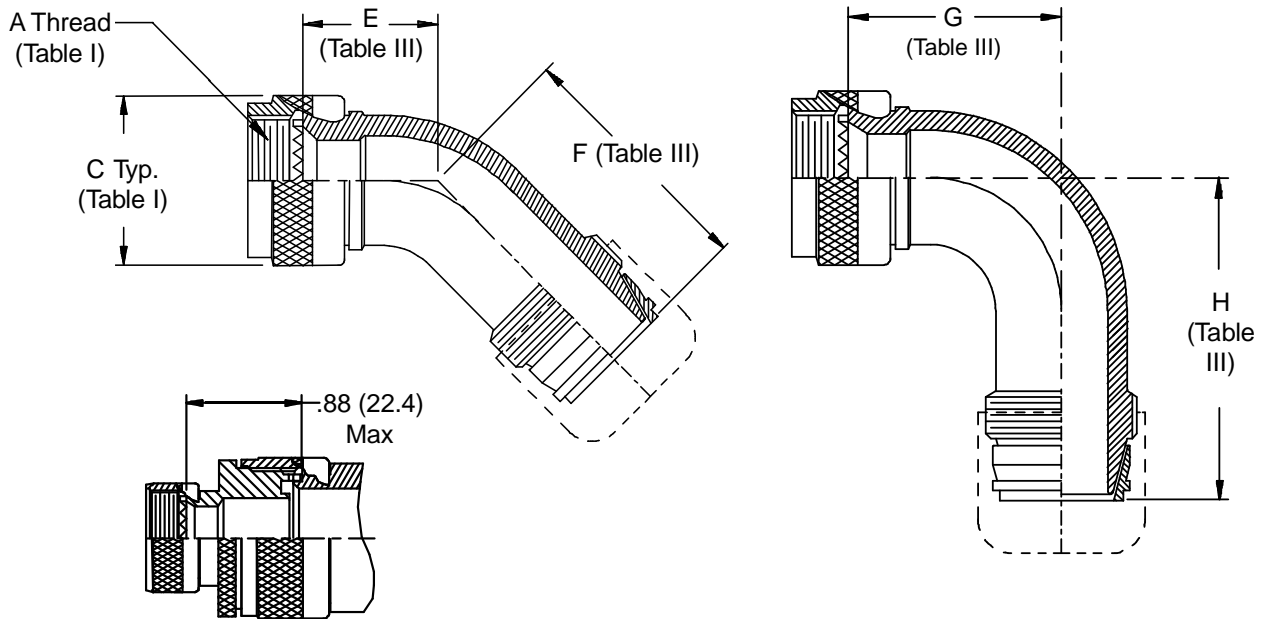
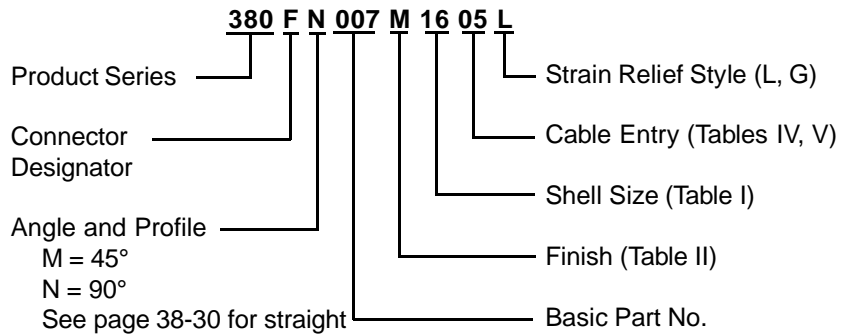
Dash No.	L Max	Cable Entry Max
02	.718 (18.2)	.250 (6.4)
03	.843 (21.4)	.375 (9.5)
04	.968 (24.6)	.500 (12.7)
05	1.109 (28.2)	.625 (15.9)
06	1.218 (30.9)	.750 (19.1)
07	1.343 (34.1)	.875 (22.2)
08	1.468 (37.3)	1.000 (25.4)
09	1.593 (40.5)	1.125 (28.6)
10	1.718 (43.6)	1.250 (31.8)

1. When maximum cable entry (page 21) is exceeded, Style 2 will be supplied. Dimensions E, F, G and H will not apply. Please consult factory.
2. Metric dimensions (mm) are indicated in parentheses.
3. Cable range is defined as the accommodations range for the wire bundle or cable. Dimensions shown are not intended for inspection criteria.
4. Consult factory for shorter lengths on straight backshells.



**CONNECTOR  
DESIGNATORS  
A-F-H-L-S  
ROTATABLE  
COUPLING**

**TYPE C OVERALL  
SHIELD TERMINATION**



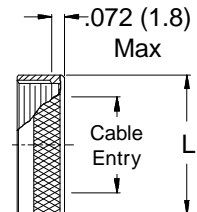
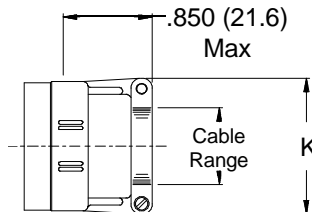
**STYLE 2**  
(See Note 1)

**STYLE L**  
Light Duty  
(Table IV)

**STYLE G**  
Light Duty  
(Table V)

**-445** Now Available with the "NESTOR"

**Glenair's Non-Detent, Spring-Loaded, Self-Locking Coupling.**  
Add "-445" to Specify This AS85049 Style "N" Coupling Interface.



**380-007**  
**EMI/RFI Non-Environmental Backshell**  
**Light-Duty with Strain Relief**  
**Type C - Rotatable Coupling - Full Radius Profile**



See inside back cover fold-out or  
pages 13 and 14 for unabridged  
**Tables I and II.**

**TABLE III: ELBOW DIMENSIONS**

Shell Size		E		F		G		H	
Conn. Desig.		Max		Max		Max		Max	
A-F-L-S	H								
08	09	.807	(20.5)	1.177	(29.9)	1.125	(28.6)	1.495	(38.0)
10	11	.861	(21.9)	1.231	(31.3)	1.250	(31.8)	1.620	(41.1)
12	13	.911	(23.1)	1.281	(32.5)	1.375	(34.9)	1.745	(44.3)
14	15	.965	(24.5)	1.335	(33.9)	1.500	(38.1)	1.870	(47.5)
16	17	1.014	(25.8)	1.384	(35.2)	1.625	(41.3)	1.995	(50.7)
18	19	1.064	(27.0)	1.434	(36.4)	1.750	(44.5)	2.120	(53.8)
20	21	1.118	(28.4)	1.488	(37.8)	1.875	(47.6)	2.245	(57.0)
22	23	1.172	(29.8)	1.542	(39.2)	2.000	(50.8)	2.370	(60.2)
24	25	1.221	(31.0)	1.591	(40.4)	2.125	(54.0)	2.495	(63.4)
28		1.325	(33.7)	1.695	(43.1)	2.375	(60.3)	2.745	(69.7)
32		1.428	(36.3)	1.798	(45.7)	2.625	(66.7)	2.865	(72.8)

**TABLE II: STANDARD FINISHES**

GLENAIR SYMBOL	FINISH
B	Cadmium Plate, Olive Drab
M	Electroless Nickel
NF	Cadmium Plate, Olive Drab Over Electroless Nickel

See Inside Back Cover  
for Additional Finish Options

**TABLE IV: CABLE ENTRY**

Dash No.	K Max	Cable Range	
		Min	Max
01	.781 (19.8)	.062 (1.6)	.125 (3.2)
02	.968 (24.6)	.125 (3.2)	.250 (6.4)
03	1.046 (26.6)	.250 (6.4)	.375 (9.5)
04	1.156 (29.4)	.250 (6.4)	.500 (12.7)
05	1.218 (30.9)	.375 (9.5)	.625 (15.9)
06	1.343 (34.1)	.500 (12.7)	.750 (19.1)
07	1.468 (37.3)	.625 (15.9)	.875 (22.2)
08	1.593 (40.5)	.625 (15.9)	1.000 (25.4)
09	1.718 (43.6)	.750 (19.1)	1.125 (28.6)
10	1.843 (46.8)	.875 (22.2)	1.250 (31.8)

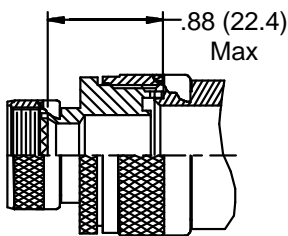
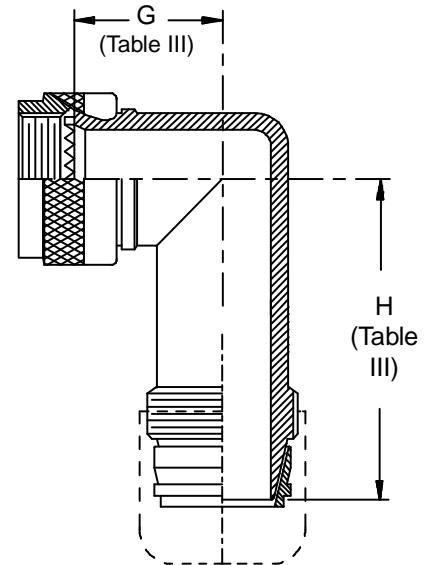
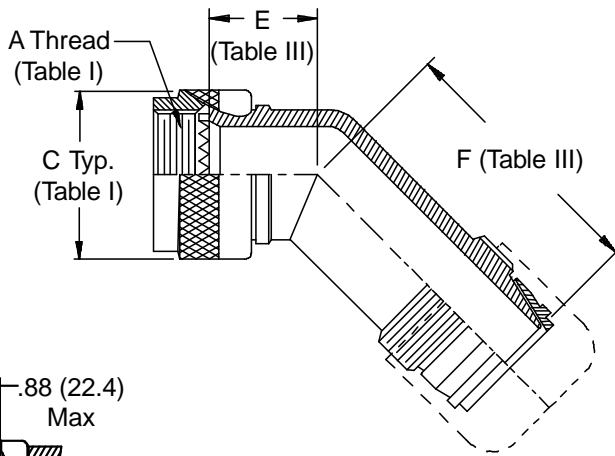
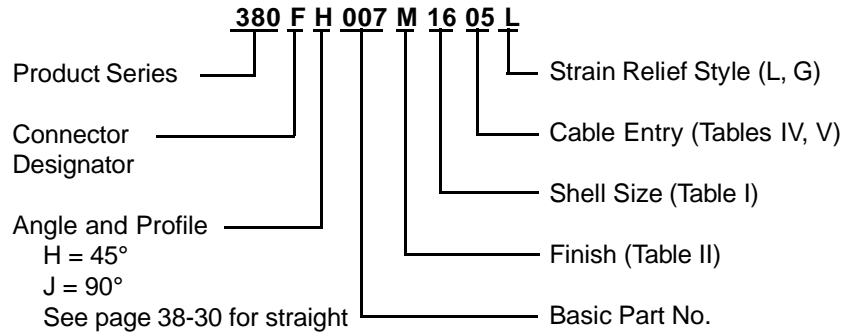
**TABLE V: CABLE ENTRY**

Dash No.	L Max	Cable Entry Max
01	.593 (15.1)	.125 (3.2)
02	.718 (18.2)	.250 (6.4)
03	.843 (21.4)	.375 (9.5)
04	.968 (24.6)	.500 (12.7)
05	1.109 (28.2)	.625 (15.9)
06	1.218 (30.9)	.750 (19.1)
07	1.343 (34.1)	.875 (22.2)
08	1.468 (37.3)	1.000 (25.4)
09	1.593 (40.5)	1.125 (28.6)
10	1.718 (43.6)	1.250 (31.8)

1. When maximum cable entry (page 21) is exceeded, Style 2 will be supplied. Dimensions E, F, G and H will not apply. Please consult factory.
2. Metric dimensions (mm) are indicated in parentheses.
3. Cable range is defined as the accommodations range for the wire bundle or cable. Dimensions shown are not intended for inspection criteria.

**CONNECTOR  
 DESIGNATORS  
 A-F-H-L-S  
 ROTATABLE  
 COUPLING**

**TYPE C OVERALL  
 SHIELD TERMINATION**

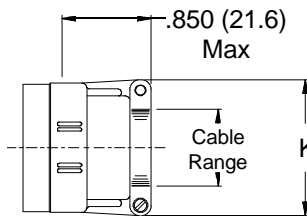


**STYLE 2**  
 (See Note 1)

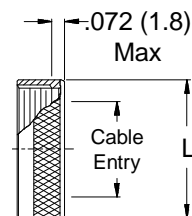
**-445** Now Available with the "NESTOR"

**Glenair's Non-Detent, Spring-Loaded, Self-Locking Coupling.**  
 Add "-445" to Specify This AS85049 Style "N" Coupling Interface.

**STYLE L**  
 Light Duty (Table IV)



**STYLE G**  
 Light Duty (Table V)



**380-007**  
**EMI/RFI Non-Environmental Backshell**  
**Light-Duty with Strain Relief**  
**Type C - Rotatable Coupling - Standard Profile**



See inside back cover fold-out or  
 pages 13 and 14 for unabridged  
 Tables I and II.

**TABLE III: ELBOW DIMENSIONS**

Shell Size		E		F		G		H	
Conn. Desig.	H	Max		Max		Max		Max	
A-F-L-S									
08	09	.639	(16.2)	1.100	(27.9)	.750	(19.1)	1.210	(30.7)
10	11	.664	(16.9)	1.130	(28.7)	.810	(20.6)	1.270	(32.3)
12	13	.688	(17.5)	1.150	(29.2)	.870	(22.1)	1.330	(33.8)
14	15	.705	(17.9)	1.180	(30.0)	.920	(23.4)	1.400	(35.6)
16	17	.732	(18.6)	1.200	(30.5)	.980	(24.9)	1.460	(37.1)
18	19	.748	(19.0)	1.210	(30.7)	1.020	(25.9)	1.480	(37.6)
20	21	.773	(19.6)	1.230	(31.2)	1.080	(27.4)	1.540	(39.1)
22	23	.800	(20.3)	1.270	(32.3)	1.140	(29.0)	1.620	(41.1)
24	25	.823	(20.9)	1.300	(33.0)	1.200	(30.5)	1.690	(42.9)
28		1.041	(26.4)	1.470	(37.3)	1.480	(37.6)	1.930	(49.0)
36		1.138	(28.9)	1.560	(39.6)	1.720	(43.7)	2.130	(54.1)
40		1.184	(30.1)	1.600	(40.6)	1.830	(46.5)	2.240	(56.9)
61		.917	(23.3)	1.330	(33.8)	1.320	(33.6)	1.690	(42.9)

**TABLE: STANDARD FINISHES**

GLENAIR SYMBOL	FINISH
B	Cadmium Plate, Olive Drab
M	Electroless Nickel
NF	Cadmium Plate, Olive Drab Over Electroless Nickel

See Inside Back Cover for Additional Finish Options

**TABLE IV: CABLE ENTRY**

Dash No.	K Max	Cable Range	
		Min	Max
01	.781 (19.8)	.062 (1.6)	.125 (3.2)
02	.968 (24.6)	.125 (3.2)	.250 (6.4)
03	1.046 (26.6)	.250 (6.4)	.375 (9.5)
04	1.156 (29.4)	.250 (6.4)	.500 (12.7)
05	1.218 (30.9)	.375 (9.5)	.625 (15.9)
06	1.343 (34.1)	.500 (12.7)	.750 (19.1)
07	1.468 (37.3)	.625 (15.9)	.875 (22.2)
08	1.593 (40.5)	.625 (15.9)	1.000 (25.4)
09	1.718 (43.6)	.750 (19.1)	1.125 (28.6)
10	1.843 (46.8)	.875 (22.2)	1.250 (31.8)

**TABLE V: CABLE ENTRY**

Dash No.	L Max	Cable Entry	
		Min	Max
01	.593 (15.1)	.125 (3.2)	
02	.718 (18.2)	.250 (6.4)	
03	.843 (21.4)	.375 (9.5)	
04	.968 (24.6)	.500 (12.7)	
05	1.109 (28.2)	.625 (15.9)	
06	1.218 (30.9)	.750 (19.1)	
07	1.343 (34.1)	.875 (22.2)	
08	1.468 (37.3)	1.000 (25.4)	
09	1.593 (40.5)	1.125 (28.6)	
10	1.718 (43.6)	1.250 (31.8)	

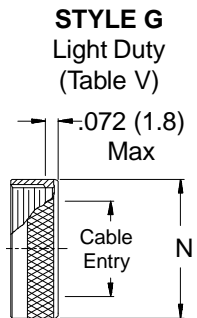
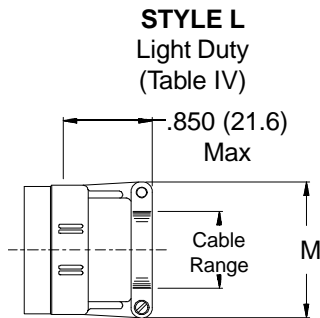
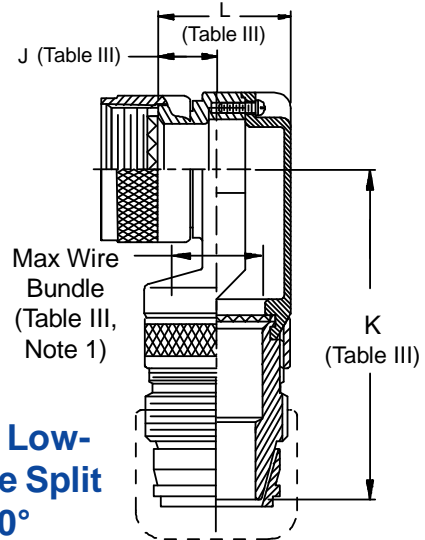
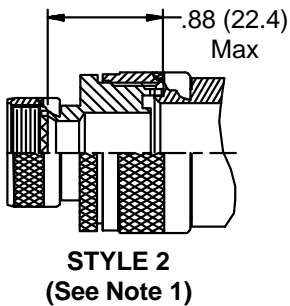
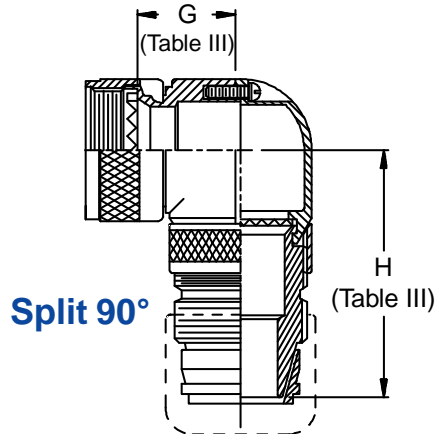
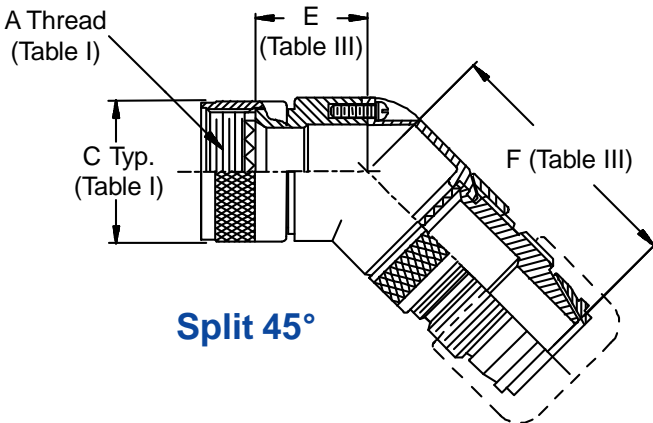
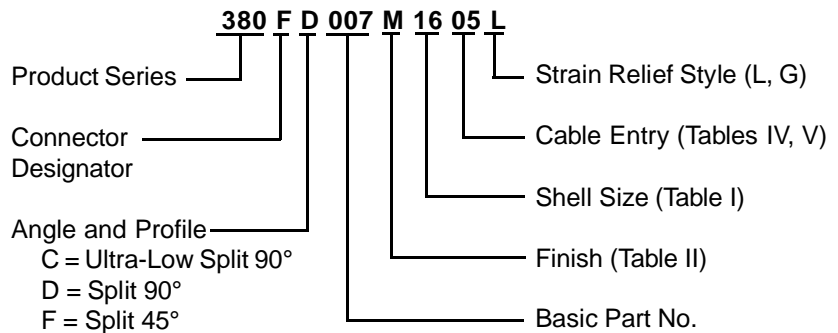
1. When maximum cable entry (page 21) is exceeded, Style 2 will be supplied. Dimensions E, F, G and H will not apply. Please consult factory.
2. Metric dimensions (mm) are indicated in parentheses.
3. Cable range is defined as the accommodations range for the wire bundle or cable. Dimensions shown are not intended for inspection criteria.
4. -445 "NESTOR" modification not available for MIL-DTL-38999 Series II.

**-445** Add "-445" to Specify Glenair's Non-Detent, ("NESTOR") Spring-Loaded, Self-Locking Coupling. See Page 41 for Details.

**380-007**  
**EMI/RFI Non-Environmental Backshell**  
**Light-Duty with Strain Relief**  
**Type C - Rotatable Coupling - Split Shell**

**CONNECTOR  
 DESIGNATORS  
 A-F-H-L-S  
 ROTATABLE  
 COUPLING**

**TYPE C OVERALL  
 SHIELD TERMINATION**



**380-007**  
**EMI/RFI Non-Environmental Backshell**  
**Light-Duty with Strain Relief**  
**Type C - Rotatable Coupling - Split Shell**



See inside back cover fold-out or pages  
 13 and 14 for unabridged Tables I and II.

**TABLE III: DIMENSIONS**

Shell Size	E Max	F Max	G Max	H Max	J Ref	K Max	L Max	Function C Max Wire Bundle
08/09	.440 (11.2)	1.782 (45.3)	.680 (17.3)	1.722 (43.7)	.340 (8.6)	2.062 (52.4)	.681 (17.3)	.250 (6.4)
10/11	.500 (12.7)	1.845 (46.9)	.750 (19.1)	1.785 (45.3)	.270 (6.9)	2.225 (56.5)	.731 (18.6)	.375 (9.5)
12/13	.560 (14.2)	1.908 (48.5)	.810 (20.6)	1.848 (46.9)	.270 (6.9)	2.218 (56.3)	.731 (18.6)	.375 (9.5)
14/15	.620 (15.7)	1.935 (49.1)	.870 (22.1)	1.875 (47.6)	.280 (7.1)	2.285 (58.0)	.831 (21.1)	.500 (12.7)
16/17	.680 (17.3)	2.040 (51.8)	.930 (23.6)	1.980 (50.3)	.420 (10.7)	2.340 (59.4)	.981 (24.9)	.625 (15.9)
18/19	.750 (19.1)	2.095 (53.2)	1.000 (25.4)	2.035 (51.7)	.640 (16.3)	2.365 (60.1)	1.181 (30.0)	.625 (15.9)
20/21	.820 (20.8)	2.160 (54.9)	1.060 (26.9)	2.100 (53.3)	.640 (16.3)	2.370 (60.2)	1.181 (30.0)	.625 (15.9)
22/23	.880 (22.4)	2.220 (56.4)	1.120 (28.4)	2.160 (54.9)	.540 (13.7)	2.520 (64.0)	1.181 (30.0)	.750 (19.1)
24/25	.940 (23.9)	2.280 (57.9)	1.180 (30.0)	2.220 (56.4)	.540 (13.7)	2.360 (59.9)	1.181 (30.0)	.750 (19.1)

**TABLE II: STANDARD FINISHES**

GLENAIR SYMBOL	FINISH
B	Cadmium Plate, Olive Drab
M	Electroless Nickel
NF	Cadmium Plate, Olive Drab Over Electroless Nickel

See Inside Back Cover for Additional Finish Options

**TABLE IV: CABLE ENTRY**

Dash No.	M Max	Cable Range	
		Min	Max
01	.781 (19.8)	.062 (1.6)	.125 (3.2)
02	.968 (24.6)	.125 (3.2)	.250 (6.4)
03	1.046 (26.6)	.250 (6.4)	.375 (9.5)
04	1.156 (29.4)	.250 (6.4)	.500 (12.7)
05	1.218 (30.9)	.375 (9.5)	.625 (15.9)
06	1.343 (34.1)	.500 (12.7)	.750 (19.1)
07	1.468 (37.3)	.625 (15.9)	.875 (22.2)
08	1.593 (40.5)	.625 (15.9)	1.000 (25.4)
09	1.718 (43.6)	.750 (19.1)	1.125 (28.6)
10	1.843 (46.8)	.875 (22.2)	1.250 (31.8)

**TABLE V: CABLE ENTRY**

Dash No.	N Max	Cable Entry	
		Max	Max
01	.593 (15.1)	.125 (3.2)	.125 (3.2)
02	.718 (18.2)	.250 (6.4)	.250 (6.4)
03	.843 (21.4)	.375 (9.5)	.375 (9.5)
04	.968 (24.6)	.500 (12.7)	.500 (12.7)
05	1.109 (28.2)	.625 (15.9)	.625 (15.9)
06	1.218 (30.9)	.750 (19.1)	.750 (19.1)
07	1.343 (34.1)	.875 (22.2)	.875 (22.2)
08	1.468 (37.3)	1.000 (25.4)	1.000 (25.4)
09	1.593 (40.5)	1.125 (28.6)	1.125 (28.6)
10	1.718 (43.6)	1.250 (31.8)	1.250 (31.8)

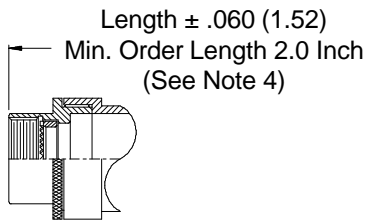
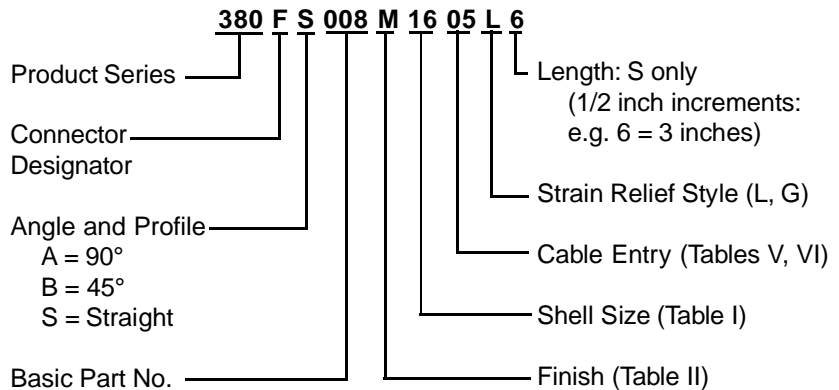
1. When maximum cable entry (page 21) is exceeded, Style 2 will be supplied (not available in Function C). Dimensions E, F, G and H will not apply. Please consult factory.
2. Metric dimensions (mm) are indicated in parentheses.
3. Cable range is defined as the accommodations range for the wire bundle or cable. Dimensions shown are not intended for inspection criteria.
4. Angular function "C", low-profile split elbow, not available with "S" connector designator.



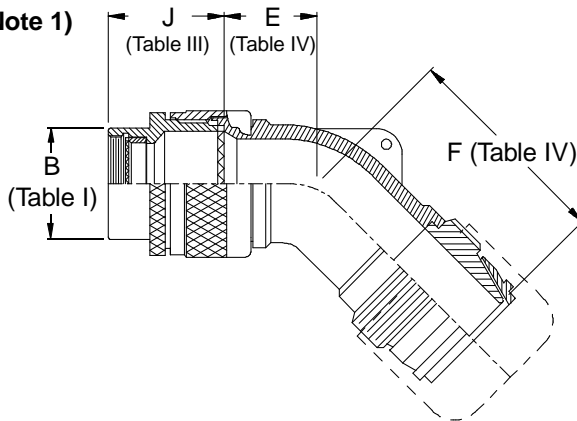
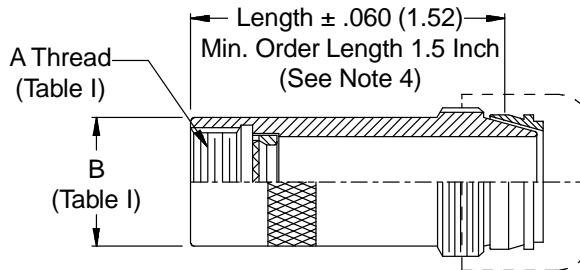
**CONNECTOR DESIGNATORS**  
**A-B\*-C-D-E-F**  
**G-H-J-K-L-S**

\* Conn. Desig. B See Note 5  
**DIRECT COUPLING**

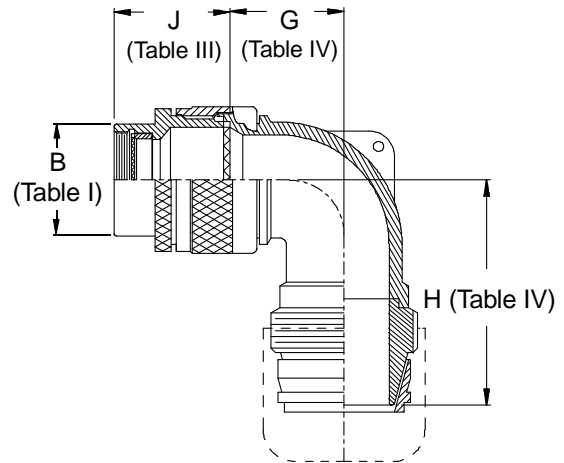
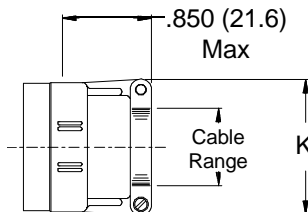
**TYPE C OVERALL SHIELD TERMINATION**



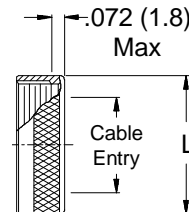
**STYLE 2**  
**(STRAIGHT)**  
 See Note 1)



**STYLE L**  
 Light Duty  
 (Table V)



**STYLE G**  
 Light Duty  
 (Table VI)



**380-008**  
**EMI/RFI Non-Environmental Backshell**  
**Light-Duty with Strain Relief**  
**Type C - Direct Coupling - Low Profile**



**TABLE III: FRONT ADAPTER**

Shell Size	J Max - Conn. Designator		
	A-E-F		
	J-H-L-S	D-B-G-K	C
08/09	1.180 (30.0)	1.440 (36.6)	
10/11	1.180 (30.0)	1.440 (36.6)	
12/13	1.180 (30.0)	1.440 (36.6)	1.735 (44.1)
14/15	1.180 (30.0)	1.440 (36.6)	1.915 (48.6)
16/17	1.380 (35.0)	1.560 (39.6)	1.915 (48.6)
18/19	1.380 (35.0)	1.560 (39.6)	1.915 (48.6)
20/21	1.380 (35.0)	1.560 (39.6)	1.915 (48.6)
22/23	1.380 (35.0)	1.560 (39.6)	1.915 (48.6)
24/25	1.380 (35.0)	1.560 (39.6)	1.915 (48.6)
28/29	1.610 (40.9)	1.560 (39.6)	1.915 (48.6)
32/33	1.610 (40.9)	1.750 (44.5)	1.915 (48.6)
36	1.610 (40.9)	1.750 (44.5)	1.915 (48.6)
40	1.610 (40.9)	2.190 (55.6)	1.915 (48.6)

See inside back cover fold-out or pages 13 and 14 for unabridged Tables I and II.

1. When maximum cable entry (page 22) is exceeded, Style 2 will be supplied. (Function S only).
2. Metric dimensions (mm) are indicated in parentheses.
3. Cable range is defined as the accommodations range for the wire bundle or cable. Dimensions shown are not intended for inspection criteria.
4. Consult factory for shorter lengths on straight backshells.
5. When using Connector Designator B refer to pages 18 and 19 for part number development.

**TABLE IV: ELBOW DIMENSIONS**

Elbow Size	E Max	F Max	G Max	H Max
01	.457 (11.6)	1.680 (42.7)	.636 (16.2)	1.781 (45.2)
02	.457 (11.6)	1.680 (42.7)	.636 (16.2)	1.781 (45.2)
03	.520 (13.2)	1.740 (44.2)	.709 (18.0)	1.901 (48.3)
04	.582 (14.8)	1.800 (45.7)	.734 (18.6)	1.921 (48.8)
05	.738 (18.7)	2.000 (50.8)	.825 (21.0)	1.991 (50.6)
06	.926 (23.5)	2.190 (55.6)	.990 (25.1)	2.081 (52.9)
07	.926 (23.5)	2.190 (55.6)	1.090 (27.7)	2.251 (57.2)
08	1.020 (25.9)	2.340 (59.4)	1.325 (33.7)	2.361 (60.0)
09	1.020 (25.9)	2.340 (59.4)	1.325 (33.7)	2.361 (60.0)
10	1.145 (29.1)	2.390 (60.7)	1.325 (33.7)	2.361 (60.0)

**TABLE II: STANDARD FINISHES**

GLENAIR SYMBOL	FINISH
B	Cadmium Plate, Olive Drab
M	Electroless Nickel
NF	Cadmium Plate, Olive Drab Over Electroless Nickel

See Inside Back Cover for Additional Finish Options

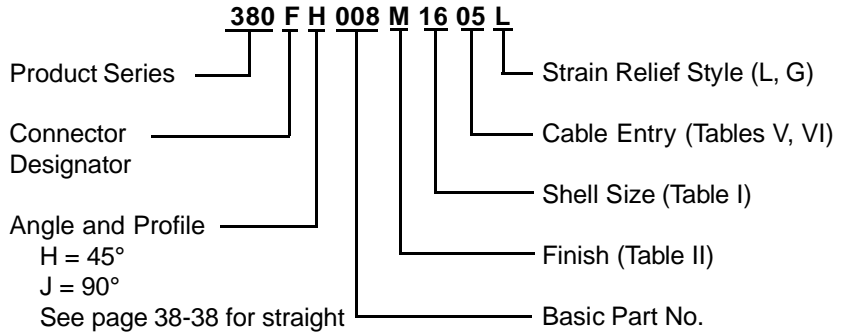
**TABLE V: CABLE ENTRY**

Dash No.	K Max	Cable Range	
		Min	Max
01	.781 (19.8)	.062 (1.6)	.125 (3.2)
02	.968 (24.6)	.125 (3.2)	.250 (6.4)
03	1.046 (26.6)	.250 (6.4)	.375 (9.5)
04	1.156 (29.4)	.250 (6.4)	.500 (12.7)
05	1.218 (30.9)	.375 (9.5)	.625 (15.9)
06	1.343 (34.1)	.500 (12.7)	.750 (19.1)
07	1.468 (37.3)	.625 (15.9)	.875 (22.2)
08	1.593 (40.5)	.625 (15.9)	1.000 (25.4)
09	1.718 (43.6)	.750 (19.1)	1.125 (28.6)
10	1.843 (46.8)	.875 (22.2)	1.250 (31.8)

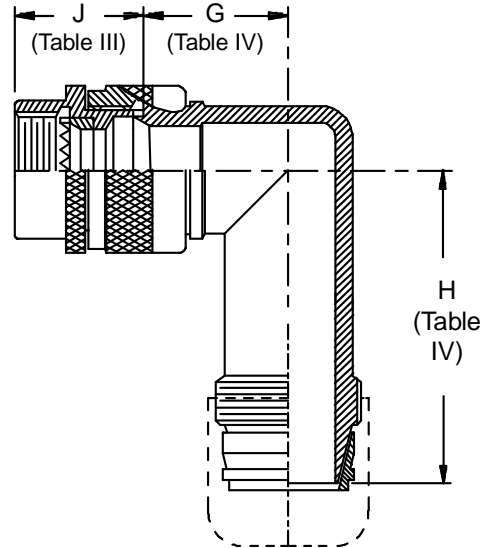
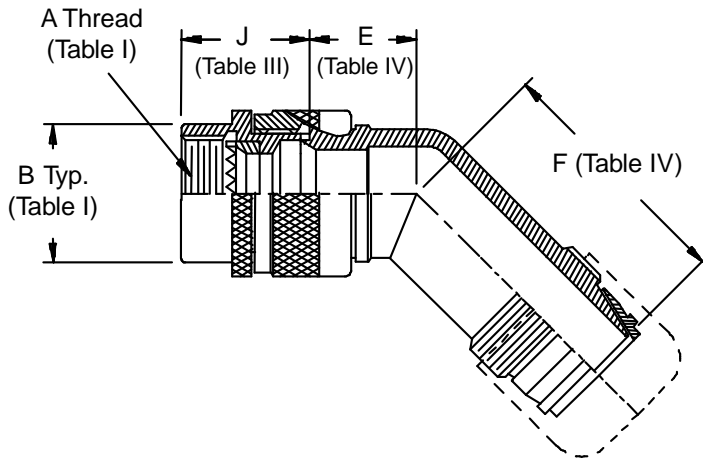
**TABLE VI: CABLE ENTRY**

Dash No.	L Max	Cable Entry Max
01	.593 (15.1)	.125 (3.2)
02	.718 (18.2)	.250 (6.4)
03	.843 (21.4)	.375 (9.5)
04	.968 (24.6)	.500 (12.7)
05	1.109 (28.2)	.625 (15.9)
06	1.218 (30.9)	.750 (19.1)
07	1.343 (34.1)	.875 (22.2)
08	1.468 (37.3)	1.000 (25.4)
09	1.593 (40.5)	1.125 (28.6)
10	1.718 (43.6)	1.250 (31.8)

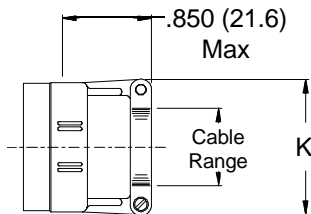
**CONNECTOR  
 DESIGNATORS**  
**A-B\*-C-D-E-F**  
**G-H-J-K-L-S**  
 \* Conn. Desig. B See Note 3  
**DIRECT  
 COUPLING**



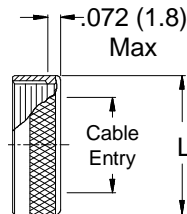
**TYPE C OVERALL  
 SHIELD TERMINATION**



**STYLE L**  
 Light Duty  
 (Table V)



**STYLE G**  
 Light Duty  
 (Table VI)



**380-008**  
**EMI/RFI Non-Environmental Backshell**  
**Light-Duty with Strain Relief**  
**Type C - Direct Coupling - Standard Profile**



**TABLE III: FRONT ADAPTER**

Shell Size	J Max - Conn. Designator		
	A-E-F		C
	J-H-L-S	D-B-G-K	
08/09	1.180 (30.0)	1.440 (36.6)	
10/11	1.180 (30.0)	1.440 (36.6)	
12/13	1.180 (30.0)	1.440 (36.6)	1.735 (44.1)
14/15	1.180 (30.0)	1.440 (36.6)	1.915 (48.6)
16/17	1.380 (35.0)	1.560 (39.6)	1.915 (48.6)
18/19	1.380 (35.0)	1.560 (39.6)	1.915 (48.6)
20/21	1.380 (35.0)	1.560 (39.6)	1.915 (48.6)
22/23	1.380 (35.0)	1.560 (39.6)	1.915 (48.6)
24/25	1.380 (35.0)	1.560 (39.6)	1.915 (48.6)
28/29	1.610 (40.9)	1.560 (39.6)	1.915 (48.6)
32/33	1.610 (40.9)	1.750 (44.5)	1.915 (48.6)
36	1.610 (40.9)	1.750 (44.5)	1.915 (48.6)
40	1.610 (40.9)	2.190 (55.6)	1.915 (48.6)

See inside back cover fold-out or pages 13 and 14 for unabridged Tables I and II.

1. Metric dimensions (mm) are indicated in parentheses.
2. Cable range is defined as the accommodations range for the wire bundle or cable.  
Dimensions shown are not intended for inspection criteria.
3. When using Connector Designator B refer to pages 18 and 19 for part number development.

**TABLE IV: ELBOW DIMENSIONS**

Elbow Size	E Max	F Max	G Max	H Max
01	.639 (16.2)	1.100 (27.9)	.750 (19.1)	1.210 (30.7)
02	.639 (16.2)	1.100 (27.9)	.750 (19.1)	1.210 (30.7)
03	.664 (16.9)	1.130 (28.7)	.810 (20.6)	1.270 (32.3)
04	.688 (17.5)	1.150 (29.2)	.870 (22.1)	1.330 (33.8)
05	.705 (17.9)	1.180 (30.0)	.920 (23.4)	1.400 (35.6)
06	.732 (18.6)	1.200 (30.5)	.980 (24.9)	1.460 (37.1)
07	.748 (19.0)	1.210 (30.7)	1.020 (25.9)	1.480 (37.6)
08	.800 (20.3)	1.270 (32.3)	1.140 (29.0)	1.620 (41.1)
09	.823 (20.9)	1.300 (33.0)	1.200 (30.5)	1.690 (42.9)
10	1.041 (26.4)	1.470 (37.3)	1.480 (37.6)	1.930 (49.0)

**TABLE II: STANDARD FINISHES**

GLENAIR	
SYMBOL	FINISH
B	Cadmium Plate, Olive Drab
M	Electroless Nickel
NF	Cadmium Plate, Olive Drab Over Electroless Nickel

See Inside Back Cover  
for Additional Finish Options

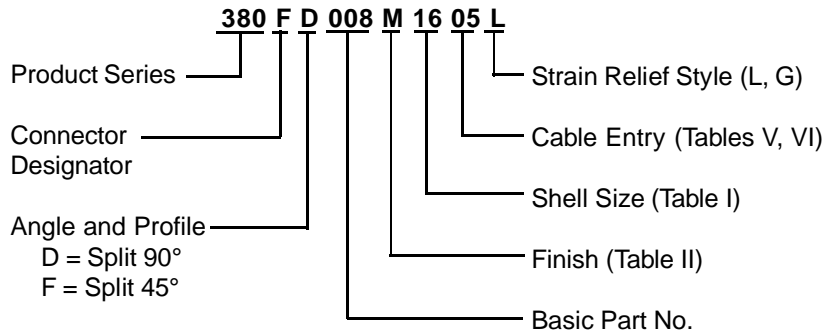
**TABLE V: CABLE ENTRY**

Dash No.	K Max	Cable Range	
		Min	Max
01	.781 (19.8)	.062 (1.6)	.125 (3.2)
02	.968 (24.6)	.125 (3.2)	.250 (6.4)
03	1.046 (26.6)	.250 (6.4)	.375 (9.5)
04	1.156 (29.4)	.250 (6.4)	.500 (12.7)
05	1.218 (30.9)	.375 (9.5)	.625 (15.9)
06	1.343 (34.1)	.500 (12.7)	.750 (19.1)
07	1.468 (37.3)	.625 (15.9)	.875 (22.2)
08	1.593 (40.5)	.625 (15.9)	1.000 (25.4)
09	1.718 (43.6)	.750 (19.1)	1.125 (28.6)
10	1.843 (46.8)	.875 (22.2)	1.250 (31.8)

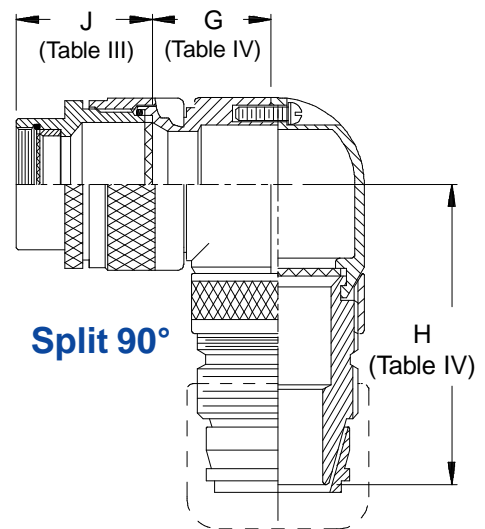
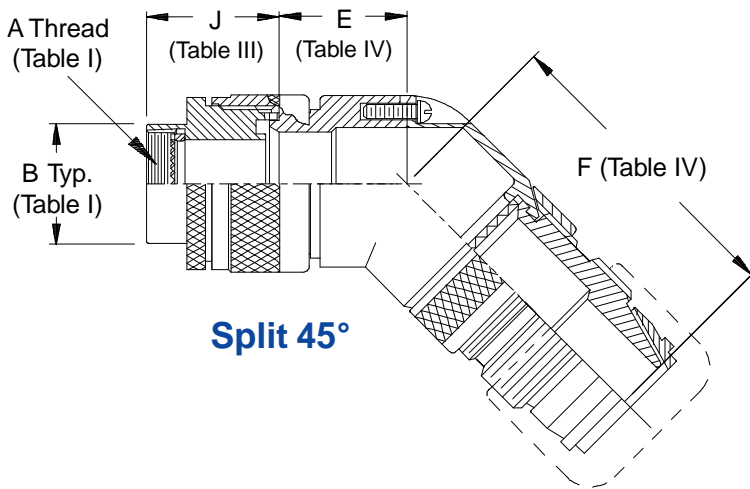
**TABLE VI: CABLE ENTRY**

Dash No.	L Max	Cable Entry Max
02	.718 (18.2)	.250 (6.4)
03	.843 (21.4)	.375 (9.5)
04	.968 (24.6)	.500 (12.7)
05	1.109 (28.2)	.625 (15.9)
06	1.218 (30.9)	.750 (19.1)
07	1.343 (34.1)	.875 (22.2)
08	1.468 (37.3)	1.000 (25.4)
09	1.593 (40.5)	1.125 (28.6)
10	1.718 (43.6)	1.250 (31.8)

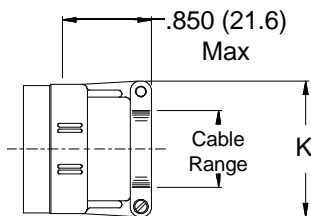
**CONNECTOR DESIGNATORS**  
**A-B\*-C-D-E-F**  
**G-H-J-K-L-S**  
 \* Conn. Desig. B See Note 3  
**DIRECT COUPLING**



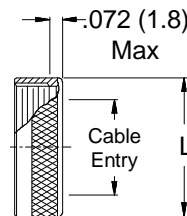
**TYPE C OVERALL SHIELD TERMINATION**



**STYLE L**  
 Light Duty  
 (Table V)



**STYLE G**  
 Light Duty  
 (Table VI)



**380-008**  
**EMI/RFI Non-Environmental Backshell**  
**Light-Duty with Strain Relief**  
**Type C - Direct Coupling - Split Shell**



**TABLE III: FRONT ADAPTER**

Shell Size	J Max - Conn. Designator		
	A-E-F		
	J-H-L-S	D-B-G-K	C
08/09	1.180 (30.0)	1.440 (36.6)	
10/11	1.180 (30.0)	1.440 (36.6)	
12/13	1.180 (30.0)	1.440 (36.6)	1.735 (44.1)
14/15	1.180 (30.0)	1.440 (36.6)	1.915 (48.6)
16/17	1.380 (35.0)	1.560 (39.6)	1.915 (48.6)
18/19	1.380 (35.0)	1.560 (39.6)	1.915 (48.6)
20/21	1.380 (35.0)	1.560 (39.6)	1.915 (48.6)
22/23	1.380 (35.0)	1.560 (39.6)	1.915 (48.6)
24/25	1.380 (35.0)	1.560 (39.6)	1.915 (48.6)
28/29	1.610 (40.9)	1.560 (39.6)	1.915 (48.6)
32/33	1.610 (40.9)	1.750 (44.5)	1.915 (48.6)
36	1.610 (40.9)	1.750 (44.5)	1.915 (48.6)
40	1.610 (40.9)	2.190 (55.6)	1.915 (48.6)

See inside back cover fold-out or pages 13 and 14 for unbridged Tables I and II.

- Metric dimensions (mm) are indicated in parentheses.
- Cable range is defined as the accommodations range for the wire bundle or cable.  
Dimensions shown are not intended for inspection criteria.
- When using Connector Designator B refer to pages 18 and 19 for part number development.

**TABLE IV: ELBOW DIMENSIONS**

Elbow Size	E Max	F Max	G Max	H Max
01	.440 (11.2)	1.782 (45.3)	.680 (17.3)	1.722 (43.7)
02	.440 (11.2)	1.782 (45.3)	.680 (17.3)	1.722 (43.7)
03	.500 (12.7)	1.845 (46.9)	.750 (19.1)	1.785 (45.3)
04	.560 (14.2)	1.908 (48.5)	.810 (20.6)	1.848 (46.9)
05	.680 (17.3)	2.040 (51.8)	.870 (22.1)	1.980 (50.3)
06	.750 (19.1)	2.095 (53.2)	.930 (23.6)	2.035 (51.7)
07	.820 (20.8)	2.160 (54.9)	1.000 (25.4)	2.100 (53.3)
08	.880 (22.4)	2.220 (56.4)	1.060 (26.9)	2.160 (54.9)
09	.940 (23.9)	2.280 (57.9)	1.120 (28.4)	2.220 (56.4)
10	1.000 (25.4)	2.435 (61.8)	1.180 (30.0)	2.375 (60.3)

**TABLE II: STANDARD FINISHES**

GLENAIR	
SYMBOL	FINISH
B	Cadmium Plate, Olive Drab
M	Electroless Nickel
NF	Cadmium Plate, Olive Drab Over Electroless Nickel
See Inside Back Cover for Additional Finish Options	

**TABLE V: CABLE ENTRY**

Dash No.	K Max	Cable Range	
		Min	Max
01	.781 (19.8)	.062 (1.6)	.125 (3.2)
02	.968 (24.6)	.125 (3.2)	.250 (6.4)
03	1.046 (26.6)	.250 (6.4)	.375 (9.5)
04	1.156 (29.4)	.250 (6.4)	.500 (12.7)
05	1.218 (30.9)	.375 (9.5)	.625 (15.9)
06	1.343 (34.1)	.500 (12.7)	.750 (19.1)
07	1.468 (37.3)	.625 (15.9)	.875 (22.2)
08	1.593 (40.5)	.625 (15.9)	1.000 (25.4)
09	1.718 (43.6)	.750 (19.1)	1.125 (28.6)
10	1.843 (46.8)	.875 (22.2)	1.250 (31.8)

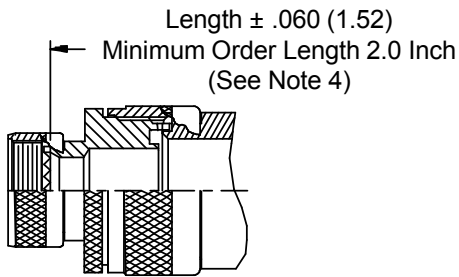
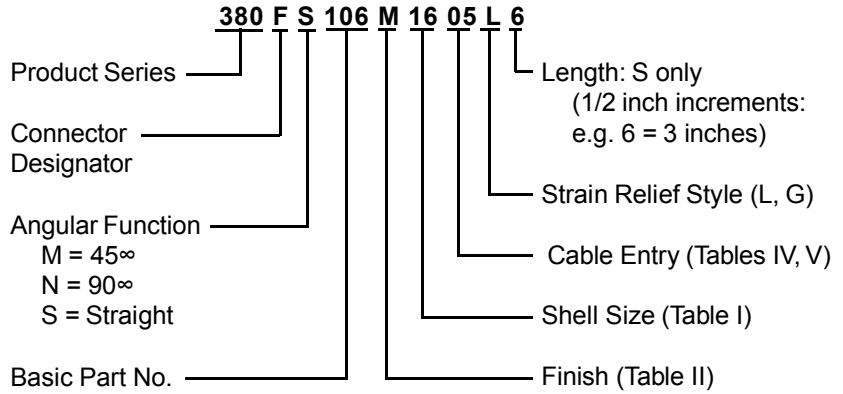
**TABLE VI: CABLE ENTRY**

Dash No.	L Max	Cable Entry Max
02	.718 (18.2)	.250 (6.4)
03	.843 (21.4)	.375 (9.5)
04	.968 (24.6)	.500 (12.7)
05	1.109 (28.2)	.625 (15.9)
06	1.218 (30.9)	.750 (19.1)
07	1.343 (34.1)	.875 (22.2)
08	1.468 (37.3)	1.000 (25.4)
09	1.593 (40.5)	1.125 (28.6)
10	1.718 (43.6)	1.250 (31.8)

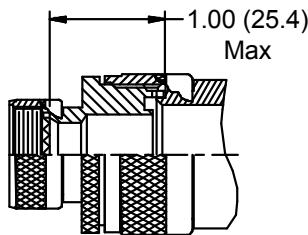
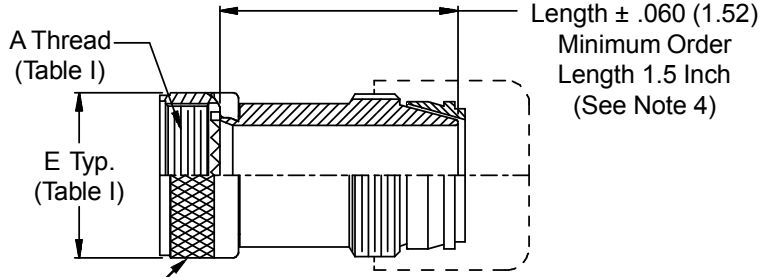


**CONNECTOR  
 DESIGNATORS  
 A-F-H-L-S  
 SELF-LOCKING  
 ROTATABLE  
 COUPLING**

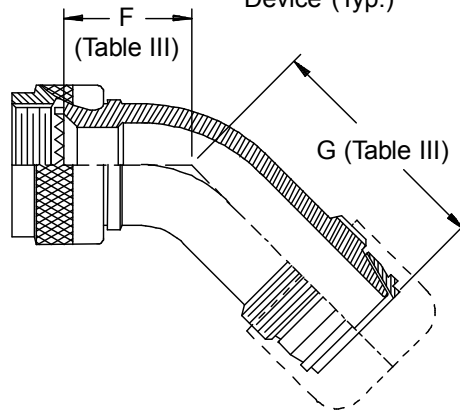
**TYPE C OVERALL  
 SHIELD TERMINATION**



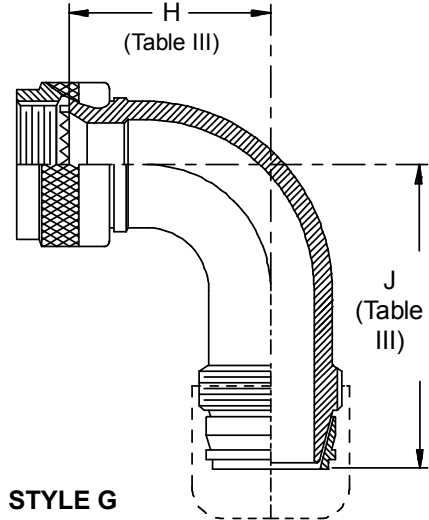
**STYLE 2  
 (STRAIGHT  
 See Note 1)**



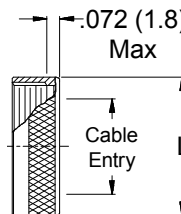
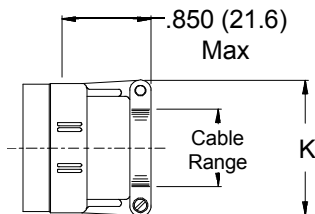
**STYLE 2  
 (45° & 90°  
 See Note 1)**



**STYLE L  
 Light Duty  
 (Table IV)**



**STYLE G  
 Light Duty  
 (Table V)**



**380-106**  
**EMI/RFI Non-Environmental Backshell**  
**Light-Duty with Strain Relief**  
**Type C - Self-Locking - Rotatable Coupling - Full Radius**



See inside back cover fold-out or pages 13 and 14 for unabridged Tables I and II.

Shell Size		F	G	H	J
Conn. Desig.		Max	Max	Max	Max
A-F-L-S	H				
08	09	.963 (24.5)	1.177 (29.9)	1.281 (32.5)	1.495 (38.0)
10	11	1.017 (25.8)	1.231 (31.3)	1.406 (35.7)	1.620 (41.1)
12	13	1.067 (27.1)	1.281 (32.5)	1.531 (38.9)	1.745 (44.3)
14	15	1.121 (28.5)	1.335 (33.9)	1.656 (42.1)	1.870 (47.5)
16	17	1.170 (29.7)	1.384 (35.2)	1.781 (45.2)	1.995 (50.7)
18	19	1.220 (31.0)	1.434 (36.4)	1.906 (48.4)	2.120 (53.8)
20	21	1.274 (32.4)	1.488 (37.8)	2.031 (51.6)	2.245 (57.0)
22	23	1.328 (33.7)	1.542 (39.2)	2.156 (54.8)	2.370 (60.2)
24	25	1.377 (35.0)	1.591 (40.4)	2.281 (57.9)	2.495 (63.4)
28		1.481 (37.6)	1.695 (43.1)	2.531 (64.3)	2.745 (69.7)
32		1.584 (40.2)	1.798 (45.7)	2.625 (70.6)	2.865 (72.8)

GLENAIR SYMBOL	FINISH
B	Cadmium Plate, Olive Drab
M	Electroless Nickel
NF	Cadmium Plate, Olive Drab Over Electroless Nickel

See Inside Back Cover for Additional Finish Options

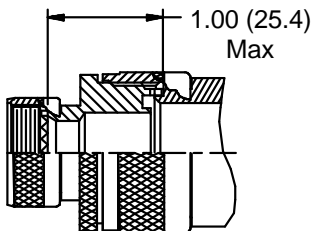
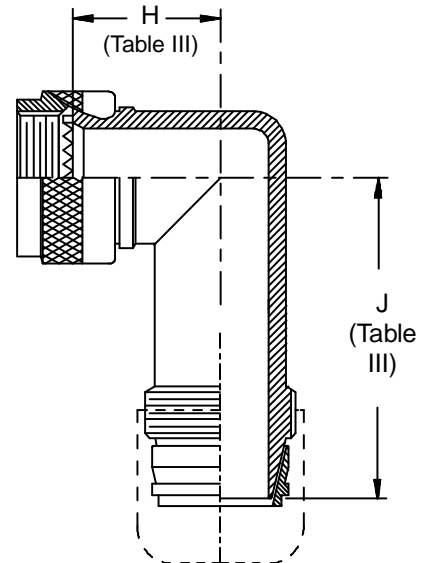
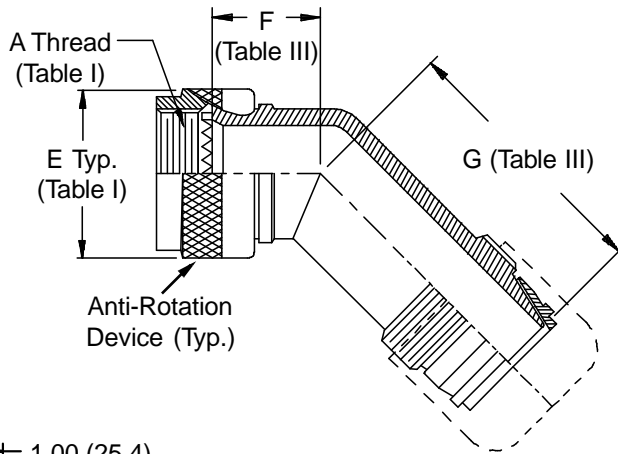
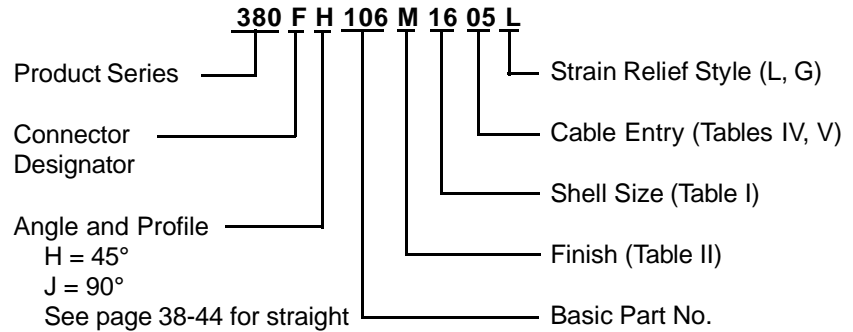
Dash No.	K Max	Cable Range	
		Min	Max
01	.781 (19.8)	.062 (1.6)	.125 (3.2)
02	.968 (24.6)	.125 (3.2)	.250 (6.4)
03	1.046 (26.6)	.250 (6.4)	.375 (9.5)
04	1.156 (29.4)	.250 (6.4)	.500 (12.7)
05	1.218 (30.9)	.375 (9.5)	.625 (15.9)
06	1.343 (34.1)	.500 (12.7)	.750 (19.1)
07	1.468 (37.3)	.625 (15.9)	.875 (22.2)
08	1.593 (40.5)	.625 (15.9)	1.000 (25.4)
09	1.718 (43.6)	.750 (19.1)	1.125 (28.6)
10	1.843 (46.8)	.875 (22.2)	1.250 (31.8)

Dash No.	L Max	Cable Entry	
		Min	Max
01	.593 (15.1)	.125 (3.2)	.125 (3.2)
02	.718 (18.2)	.250 (6.4)	.250 (6.4)
03	.843 (21.4)	.375 (9.5)	.375 (9.5)
04	.968 (24.6)	.500 (12.7)	.500 (12.7)
05	1.109 (28.2)	.625 (15.9)	.625 (15.9)
06	1.218 (30.9)	.750 (19.1)	.750 (19.1)
07	1.343 (34.1)	.875 (22.2)	.875 (22.2)
08	1.468 (37.3)	1.000 (25.4)	1.000 (25.4)
09	1.593 (40.5)	1.125 (28.6)	1.125 (28.6)
10	1.718 (43.6)	1.250 (31.8)	1.250 (31.8)

1. When maximum cable entry (page 21) is exceeded, Style 2 will be supplied. Dimensions F, G, H and J will not apply. Please consult factory.
2. Metric dimensions (mm) are indicated in parentheses.
3. Cable range is defined as the accommodations range for the wire bundle or cable. Dimensions shown are not intended for inspection criteria.
4. Consult factory for shorter lengths on straight backshells.

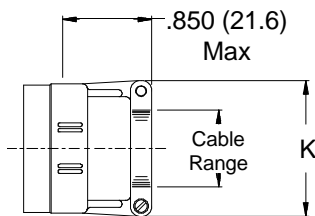
**CONNECTOR  
 DESIGNATORS  
 A-F-H-L-S  
 SELF-LOCKING  
 ROTATABLE  
 COUPLING**

**TYPE C OVERALL  
 SHIELD TERMINATION**

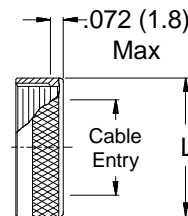


**STYLE 2**  
 (See Note 1)

**STYLE L**  
 Light Duty  
 (Table IV)



**STYLE G**  
 Light Duty  
 (Table V)



**380-106**  
**EMI/RFI Non-Environmental Backshell**  
**Light-Duty with Strain Relief**  
**Type C - Self-Locking - Rotatable Coupling - Standard Profile**



See inside back cover fold-out or pages 13 and 14 for unabridged Tables I and II.

TABLE III: ELBOW DIMENSIONS									
Shell Size				F Max	G Max	H Max	J Max		
Conn. Desig.	A-F-L-S H								
08	09	.795	(20.2)	1.100	(27.9)	.906	(23.0)	1.210	(30.7)
10	11	.820	(20.8)	1.130	(28.7)	.966	(24.5)	1.270	(32.3)
12	13	.844	(21.4)	1.150	(29.2)	1.026	(26.1)	1.330	(33.8)
14	15	.861	(21.9)	1.180	(30.0)	1.076	(27.3)	1.400	(35.6)
16	17	.888	(22.6)	1.200	(30.5)	1.136	(28.9)	1.460	(37.1)
18	19	.904	(23.0)	1.210	(30.7)	1.176	(29.9)	1.480	(37.6)
20	21	.929	(23.6)	1.230	(31.2)	1.236	(31.4)	1.540	(39.1)
22	23	.956	(24.3)	1.270	(32.3)	1.296	(32.9)	1.620	(41.1)
24	25	.979	(24.9)	1.300	(33.0)	1.356	(34.4)	1.690	(42.9)
28		1.197	(30.4)	1.470	(37.3)	1.636	(41.6)	1.930	(49.0)
36		1.294	(32.9)	1.560	(39.6)	1.876	(47.7)	2.130	(54.1)
40		1.340	(34.0)	1.600	(40.6)	1.986	(50.4)	2.240	(56.9)

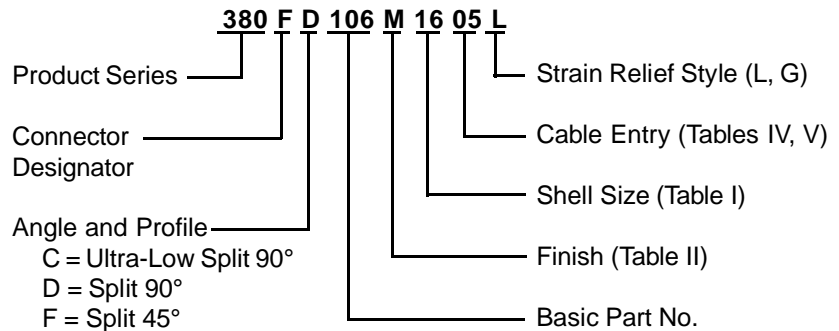
TABLE II: STANDARD FINISHES	
GLENAIR SYMBOL	FINISH
B	Cadmium Plate, Olive Drab
M	Electroless Nickel
NF	Cadmium Plate, Olive Drab Over Electroless Nickel
See Inside Back Cover for Additional Finish Options	

TABLE IV: CABLE ENTRY				
Dash No.	K Max	Cable Range		
		Min	Max	
01	.781 (19.8)	.062 (1.6)	.125 (3.2)	(3.2)
02	.968 (24.6)	.125 (3.2)	.250 (6.4)	(6.4)
03	1.046 (26.6)	.250 (6.4)	.375 (9.5)	(9.5)
04	1.156 (29.4)	.250 (6.4)	.500 (12.7)	(12.7)
05	1.218 (30.9)	.375 (9.5)	.625 (15.9)	(15.9)
06	1.343 (34.1)	.500 (12.7)	.750 (19.1)	(19.1)
07	1.468 (37.3)	.625 (15.9)	.875 (22.2)	(22.2)
08	1.593 (40.5)	.625 (15.9)	1.000 (25.4)	(25.4)
09	1.718 (43.6)	.750 (19.1)	1.125 (28.6)	(28.6)
10	1.843 (46.8)	.875 (22.2)	1.250 (31.8)	(31.8)

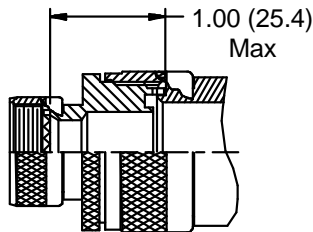
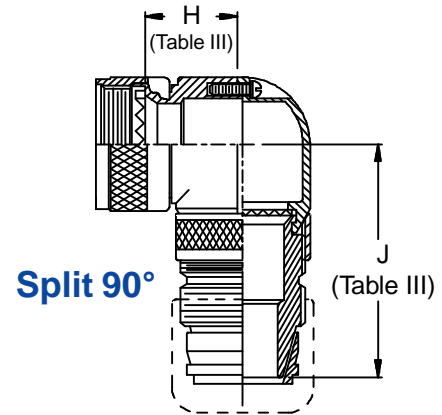
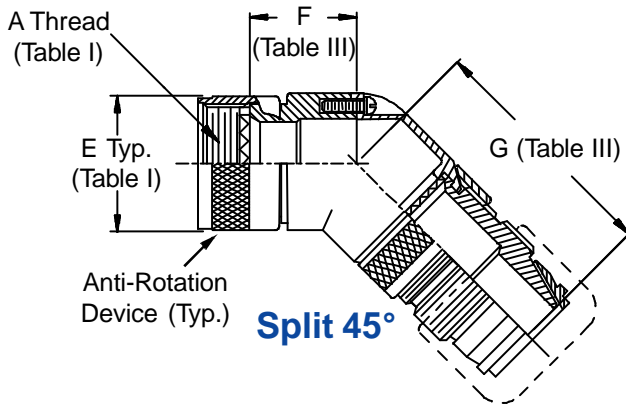
TABLE V: CABLE ENTRY			
Dash No.	L Max	Cable Entry	
		Max	Max
01	.593 (15.1)	.125 (3.2)	(3.2)
02	.718 (18.2)	.250 (6.4)	(6.4)
03	.843 (21.4)	.375 (9.5)	(9.5)
04	.968 (24.6)	.500 (12.7)	(12.7)
05	1.109 (28.2)	.625 (15.9)	(15.9)
06	1.218 (30.9)	.750 (19.1)	(19.1)
07	1.343 (34.1)	.875 (22.2)	(22.2)
08	1.468 (37.3)	1.000 (25.4)	(25.4)
09	1.593 (40.5)	1.125 (28.6)	(28.6)
10	1.718 (43.6)	1.250 (31.8)	(31.8)

1. When maximum cable entry (page 21) is exceeded, Style 2 will be supplied. Dimensions F, G, H and J will not apply. Please consult factory.
2. Metric dimensions (mm) are indicated in parentheses.
3. Cable range is defined as the accommodations range for the wire bundle or cable. Dimensions shown are not intended for inspection criteria.

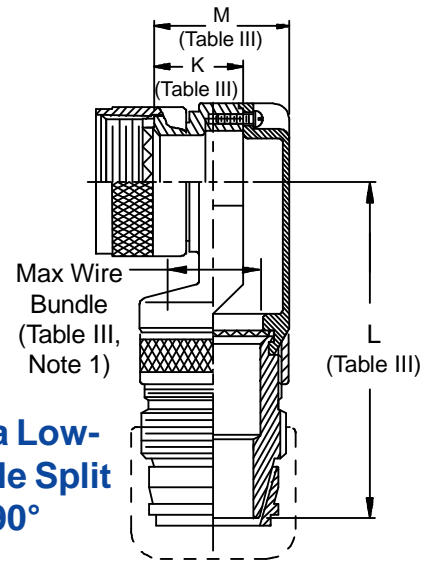
**CONNECTOR  
 DESIGNATORS  
 A-F-H-L-S  
 SELF-LOCKING  
 ROTATABLE  
 COUPLING**



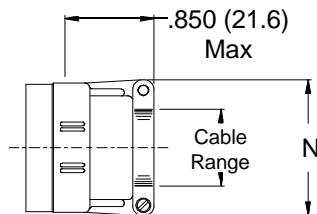
**TYPE C OVERALL  
 SHIELD TERMINATION**



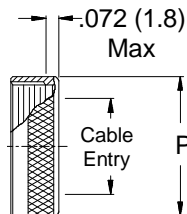
**STYLE 2**  
 (See Note 1)



**STYLE L**  
 Light Duty  
 (Table IV)



**STYLE G**  
 Light Duty  
 (Table V)



**380-106**  
**EMI/RFI Non-Environmental Backshell**  
**Light-Duty with Strain Relief**  
**Type C - Self-Locking - Rotatable Coupling - Split Shell**



See inside back cover fold-out or pages 13 and 14 for unabridged Tables I and II.

Shell Size	F Max	G Max	H Max	J Max	K Max	L Max	M Max	Function C Max Wire Bundle
08/09	.596 (15.1)	1.782 (45.3)	.836 (21.2)	1.722 (43.7)	.496 (12.6)	2.062 (52.4)	.837 (21.3)	.250 (6.4)
10/11	.656 (16.7)	1.845 (46.9)	.906 (23.0)	1.785 (45.3)	.426 (10.8)	2.225 (56.5)	.887 (22.5)	.375 (9.5)
12/13	.716 (18.2)	1.908 (48.5)	.966 (24.5)	1.848 (46.9)	.426 (10.8)	2.218 (56.3)	.887 (22.5)	.375 (9.5)
14/15	.776 (19.7)	1.935 (49.1)	1.026 (26.1)	1.875 (47.6)	.436 (11.1)	2.285 (58.0)	.987 (25.1)	.500 (12.7)
16/17	.836 (21.2)	2.040 (51.8)	1.086 (27.6)	1.980 (50.3)	.576 (14.6)	2.340 (59.4)	1.137 (28.9)	.625 (15.9)
18/19	.906 (23.0)	2.095 (53.2)	1.156 (29.4)	2.035 (51.7)	.796 (20.2)	2.365 (60.1)	1.337 (34.0)	.625 (15.9)
20/21	.976 (24.8)	2.160 (54.9)	1.216 (30.9)	2.100 (53.3)	.796 (20.2)	2.370 (60.2)	1.337 (34.0)	.625 (15.9)
22/23	1.036 (26.3)	2.220 (56.4)	1.276 (32.4)	2.160 (54.9)	.696 (17.7)	2.520 (64.0)	1.337 (34.0)	.750 (19.1)
24/25	1.096 (27.8)	2.280 (57.9)	1.336 (33.9)	2.220 (56.4)	.696 (17.7)	2.360 (59.9)	1.337 (34.0)	.750 (19.1)

GLENAIR	
SYMBOL	FINISH
B	Cadmium Plate, Olive Drab
M	Electroless Nickel
NF	Cadmium Plate, Olive Drab Over Electroless Nickel
See Inside Back Cover for Additional Finish Options	

Dash No.	N Max	Cable Range	
		Min	Max
01	.781 (19.8)	.062 (1.6)	.125 (3.2)
02	.968 (24.6)	.125 (3.2)	.250 (6.4)
03	1.046 (26.6)	.250 (6.4)	.375 (9.5)
04	1.156 (29.4)	.250 (6.4)	.500 (12.7)
05	1.218 (30.9)	.375 (9.5)	.625 (15.9)
06	1.343 (34.1)	.500 (12.7)	.750 (19.1)
07	1.468 (37.3)	.625 (15.9)	.875 (22.2)
08	1.593 (40.5)	.625 (15.9)	1.000 (25.4)
09	1.718 (43.6)	.750 (19.1)	1.125 (28.6)
10	1.843 (46.8)	.875 (22.2)	1.250 (31.8)

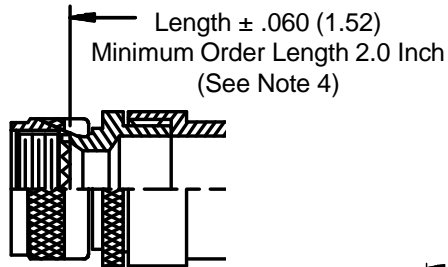
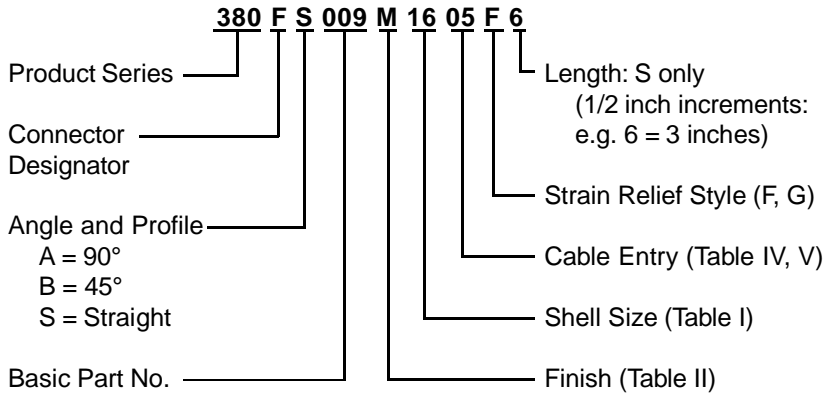
Dash No.	P Max	Cable Entry Max
02	.718 (18.2)	.250 (6.4)
03	.843 (21.4)	.375 (9.5)
04	.968 (24.6)	.500 (12.7)
05	1.109 (28.2)	.625 (15.9)
06	1.218 (30.9)	.750 (19.1)
07	1.343 (34.1)	.875 (22.2)
08	1.468 (37.3)	1.000 (25.4)
09	1.593 (40.5)	1.125 (28.6)
10	1.718 (43.6)	1.250 (31.8)

- When maximum cable entry (page 21) is exceeded, Style 2 will be supplied (not available in Function C). Dimensions F, G, H and J will not apply. Please consult factory.
- Metric dimensions (mm) are indicated in parentheses.
- Cable range is defined as the accommodations range for the wire bundle or cable. Dimensions shown are not intended for inspection criteria.
- Angular function "C", low-profile split elbow, not available with "S" connector designator.

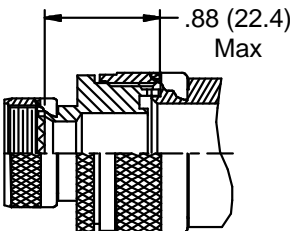
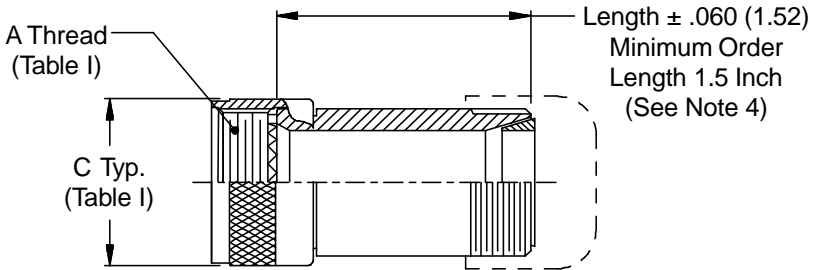


**CONNECTOR  
 DESIGNATORS  
 A-F-H-L-S  
 ROTATABLE  
 COUPLING**

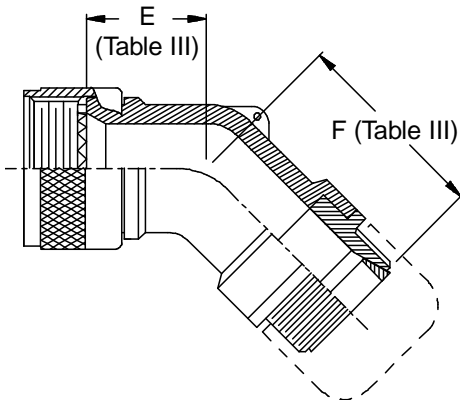
**TYPE D INDIVIDUAL  
 OR OVERALL  
 SHIELD TERMINATION**



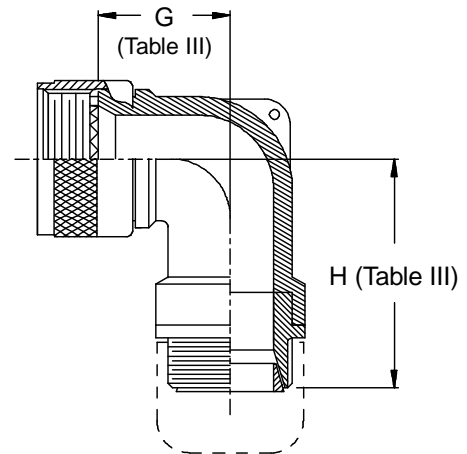
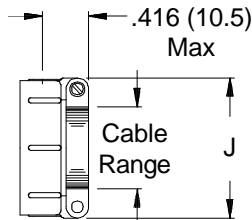
**STYLE 2  
 (STRAIGHT  
 See Note 1)**



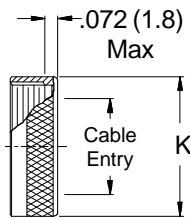
**STYLE 2  
 (45° & 90°  
 See Note 1)**



**STYLE F  
 Light Duty  
 (Table IV)**



**STYLE G  
 Light Duty  
 (Table V)**



-445

Now Available with the "NESTOR"

**Glenair's Non-Detent, Spring-Loaded, Self-Locking Coupling.**

Add "-445" to Specify This AS85049 Style "N" Coupling Interface.

**380-009**  
**EMI/RFI Non-Environmental Backshell**  
 with Strain Relief  
 Type D - Rotatable Coupling - Low Profile



See inside back cover fold-out or pages 13 and 14 for unabridged Tables I and II.

TABLE III: ELBOW DIMENSIONS							
Shell Size		E Max	F Max	G Max	H Max	Conn. Desig.	
A-F-L-S	H						
08	09	.457 (11.6)	1.500 (38.1)	.500 (12.7)	1.445 (36.7)		
10	11	.520 (13.2)	1.510 (38.4)	.595 (15.1)	1.565 (39.8)		
12	13	.582 (14.8)	1.580 (40.1)	.610 (15.5)	1.585 (40.3)		
14	15	.645 (16.4)	1.660 (42.2)	.700 (17.8)	1.655 (42.0)		
16	17	.738 (18.7)	1.770 (45.0)	.885 (22.5)	1.725 (43.8)		
18	19	.926 (23.5)	1.960 (49.8)	.975 (24.8)	1.915 (48.6)		
20	21	.926 (23.5)	1.960 (49.8)	.975 (24.8)	1.915 (48.6)		
22	23	1.020 (25.9)	2.110 (53.6)	1.125 (28.6)	2.025 (51.4)		
24	25	1.020 (25.9)	2.110 (53.6)	1.125 (28.6)	2.025 (51.4)		
28		1.145 (29.1)	2.160 (54.9)	1.225 (31.1)	2.195 (55.8)		
32		1.207 (30.7)	2.260 (57.4)	1.575 (40.0)	2.445 (62.1)		
36		1.238 (31.4)	2.360 (59.9)	1.775 (45.1)	2.445 (62.1)		

TABLE II: STANDARD FINISHES	
GLENAIR	
SYMBOL	FINISH
B	Cadmium Plate, Olive Drab
M	Electroless Nickel
NF	Cadmium Plate, Olive Drab Over Electroless Nickel
See Inside Back Cover for Additional Finish Options	

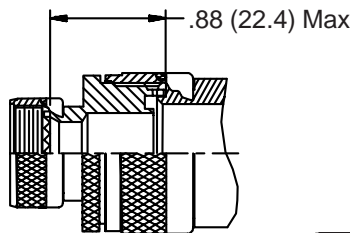
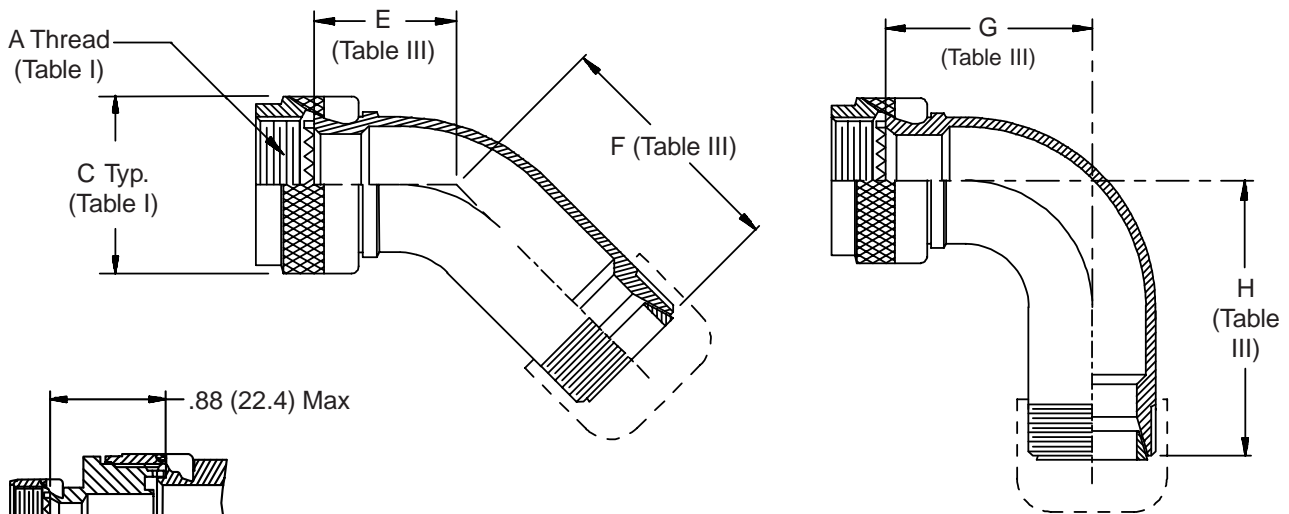
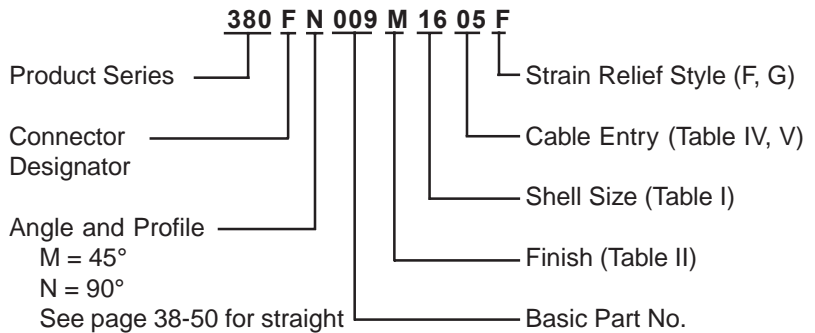
TABLE IV: CABLE ENTRY				
Dash No.	J Max	Cable Range		
		Min	Max	
02	.968 (24.6)	.125 (3.2)	.250 (6.4)	
03	1.046 (26.6)	.250 (6.4)	.375 (9.5)	
04	1.156 (29.4)	.312 (7.9)	.500 (12.7)	
05	1.218 (30.9)	.437 (11.1)	.625 (15.9)	
06	1.343 (34.1)	.562 (14.3)	.750 (19.1)	
07	1.468 (37.3)	.687 (17.4)	.875 (22.2)	
08	1.593 (40.5)	.812 (20.6)	1.000 (25.4)	
10	1.843 (46.8)	1.062 (27.0)	1.250 (31.8)	

TABLE V: CABLE ENTRY			
Dash No.	K Max	Cable Entry	
		Max	
01	.656 (16.7)	.125 (3.2)	
02	.781 (19.8)	.250 (6.4)	
03	.906 (23.0)	.375 (9.5)	
04	1.031 (26.2)	.500 (12.7)	
05	1.156 (29.4)	.625 (15.9)	
06	1.281 (32.5)	.750 (19.1)	
07	1.406 (35.7)	.875 (22.2)	
08	1.531 (38.9)	1.000 (25.4)	
09	1.656 (42.1)	1.125 (28.6)	
10	1.781 (45.2)	1.250 (31.8)	

1. When maximum cable entry (page 21) is exceeded, Style 2 will be supplied. Dimensions E, F, G and H will not apply. Please consult factory.
2. Metric dimensions (mm) are indicated in parentheses.
3. Cable range is defined as the accommodations range for the wire bundle or cable. Dimensions shown are not intended for inspection criteria.
4. Consult factory for shorter lengths on straight backshells.

**CONNECTOR  
DESIGNATORS  
A-F-H-L-S  
ROTATABLE  
COUPLING**

**TYPE D INDIVIDUAL  
OR OVERALL  
SHIELD TERMINATION**

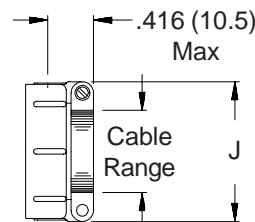


**STYLE 2**  
(See Note 1)

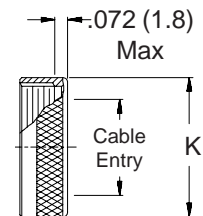
**-445** Now Available with the "NESTOR"

Glenair's Non-Detent, Spring-Loaded, Self-Locking Coupling.  
Add "-445" to Specify This AS85049 Style "N" Coupling Interface.

**STYLE F**  
Light Duty  
(Table IV)



**STYLE G**  
Light Duty  
(Table V)



**380-009**  
**EMI/RFI Non-Environmental Backshell**  
 with Strain Relief  
 Type D - Rotatable Coupling - Full Radius Profile



See inside back cover fold-out or pages 13 and 14 for unabridged Tables I and II.

Shell Size Conn. Desig. A-F-L-S H	E Max	F Max	G Max	H Max
08 09	.807 (20.5)	.857 (21.8)	1.125 (28.6)	1.175 (29.8)
10 11	.861 (21.9)	.911 (23.1)	1.250 (31.8)	1.300 (33.0)
12 13	.911 (23.1)	.961 (24.4)	1.375 (34.9)	1.425 (36.2)
14 15	.965 (24.5)	1.015 (25.8)	1.500 (38.1)	1.550 (39.4)
16 17	1.014 (25.8)	1.064 (27.0)	1.625 (41.3)	1.675 (42.5)
18 19	1.064 (27.0)	1.114 (28.3)	1.750 (44.5)	1.800 (45.7)
20 21	1.118 (28.4)	1.168 (29.7)	1.875 (47.6)	1.925 (48.9)
22 23	1.172 (29.8)	1.222 (31.0)	2.000 (50.8)	2.050 (52.1)
24 25	1.221 (31.0)	1.271 (32.3)	2.125 (54.0)	2.175 (55.2)
28	1.325 (33.7)	1.375 (34.9)	2.375 (60.3)	2.425 (61.6)
32	1.428 (36.3)	1.478 (37.5)	2.625 (66.7)	2.675 (67.9)

GLENAIR SYMBOL	FINISH
B	Cadmium Plate, Olive Drab
M	Electroless Nickel
NF	Cadmium Plate, Olive Drab Over Electroless Nickel

See Inside Back Cover  
for Additional Finish Options

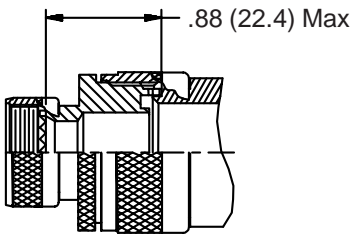
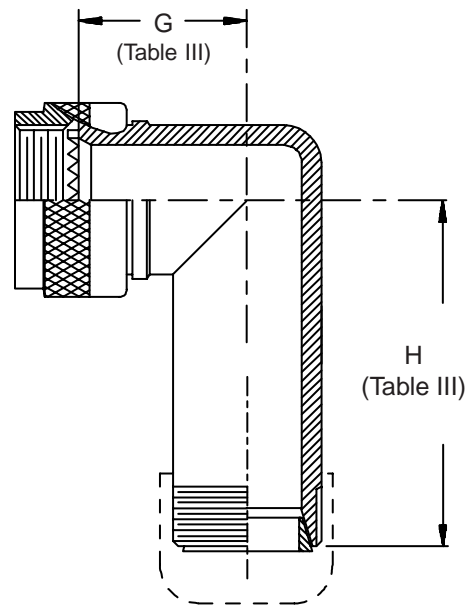
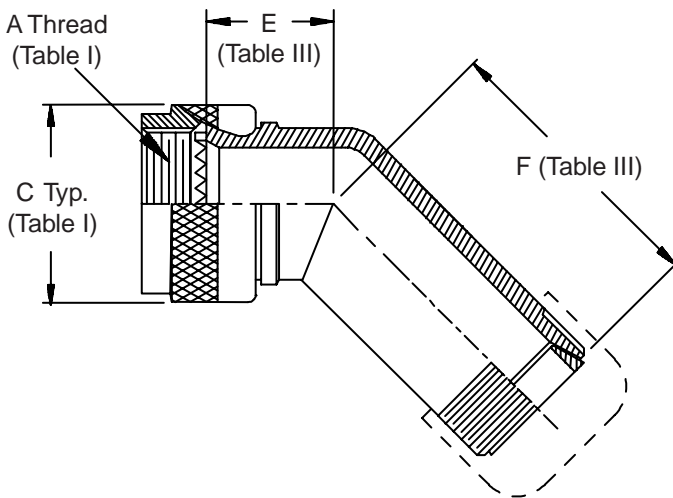
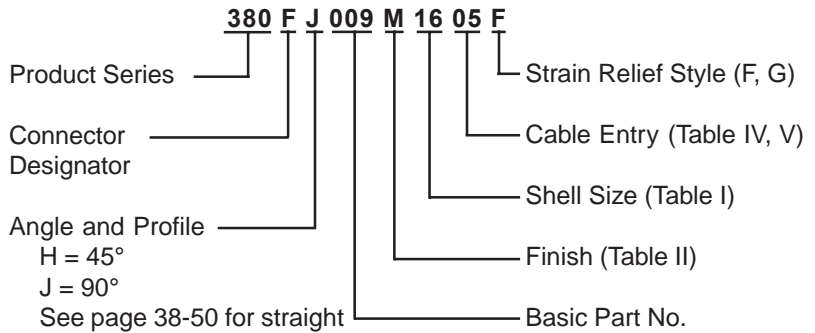
Dash No.	J Max	Cable Range	
		Min	Max
02	.968 (24.6)	.125 (3.2)	.250 (6.4)
03	1.046 (26.6)	.250 (6.4)	.375 (9.5)
04	1.156 (29.4)	.312 (7.9)	.500 (12.7)
05	1.218 (30.9)	.437 (11.1)	.625 (15.9)
06	1.343 (34.1)	.562 (14.3)	.750 (19.1)
07	1.468 (37.3)	.687 (17.4)	.875 (22.2)
08	1.593 (40.5)	.812 (20.6)	1.000 (25.4)
10	1.843 (46.8)	1.062 (27.0)	1.250 (31.8)

Dash No.	K Max	Cable Entry Max
01	.656 (16.7)	.125 (3.2)
02	.781 (19.8)	.250 (6.4)
03	.906 (23.0)	.375 (9.5)
04	1.031 (26.2)	.500 (12.7)
05	1.156 (29.4)	.625 (15.9)
06	1.281 (32.5)	.750 (19.1)
07	1.406 (35.7)	.875 (22.2)
08	1.531 (38.9)	1.000 (25.4)
09	1.656 (42.1)	1.125 (28.6)
10	1.781 (45.2)	1.250 (31.8)

1. Metric dimensions (mm) are indicated in parentheses.
2. Cable range is defined as the accommodations range for the wire bundle or cable. Dimensions shown are not intended for inspection criteria.
3. When maximum cable entry (page 21) is exceeded, Style 2 will be supplied. Dimensions E, F, G and H will not apply. Please consult factory.

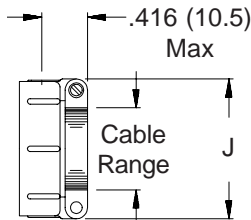
**CONNECTOR  
DESIGNATORS  
A-F-H-L-S  
ROTATABLE  
COUPLING**

**TYPE D INDIVIDUAL  
OR OVERALL  
SHIELD TERMINATION**

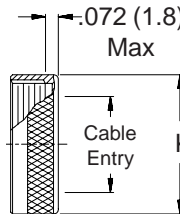


**STYLE 2**  
(See Note 1)

**STYLE F**  
Light Duty  
(Table IV)



**STYLE G**  
Light Duty  
(Table V)



**380-009**  
**EMI/RFI Non-Environmental Backshell**  
with Strain Relief  
**Type D - Rotatable Coupling - Standard Profile**



See inside back cover fold-out or pages 13 and 14 for unabridged Tables I and II.

**TABLE III: ELBOW DIMENSIONS**

Shell Size		E Max	F Max	G Max	H Max
Conn. Desig. A-F-L-S	H				
08	09	.639 (16.2)	.760 (19.3)	.750 (19.1)	.860 (21.8)
10	11	.664 (16.9)	.790 (20.1)	.810 (20.6)	.930 (23.6)
12	13	.688 (17.5)	.810 (20.6)	.870 (22.1)	.990 (25.1)
14	15	.705 (17.9)	.840 (21.3)	.920 (23.4)	1.050 (26.7)
16	17	.732 (18.6)	.860 (21.8)	.980 (24.9)	1.110 (28.2)
18	19	.748 (19.0)	.870 (22.1)	1.020 (25.9)	1.160 (29.5)
20	21	.773 (19.6)	.890 (22.6)	1.080 (27.4)	1.230 (31.2)
22	23	.800 (20.3)	.930 (23.6)	1.140 (29.0)	1.280 (32.5)
24	25	.823 (20.9)	.960 (24.4)	1.200 (30.5)	1.350 (34.3)
28		1.041 (26.4)	1.130 (28.7)	1.480 (37.6)	1.590 (40.4)
32		1.092 (27.7)	1.170 (29.7)	1.610 (40.9)	1.680 (42.7)
36		1.138 (28.9)	1.220 (31.0)	1.720 (43.7)	1.790 (45.5)

**TABLE II: STANDARD FINISHES**

GLENAIR	
SYMBOL	FINISH
B	Cadmium Plate, Olive Drab
M	Electroless Nickel
NF	Cadmium Plate, Olive Drab Over Electroless Nickel
See Inside Back Cover for Additional Finish Options	

**TABLE IV: CABLE ENTRY**

Dash No.	J Max	Cable Range	
		Min	Max
02	.968 (24.6)	.125 (3.2)	.250 (6.4)
03	1.046 (26.6)	.250 (6.4)	.375 (9.5)
04	1.156 (29.4)	.312 (7.9)	.500 (12.7)
05	1.218 (30.9)	.437 (11.1)	.625 (15.9)
06	1.343 (34.1)	.562 (14.3)	.750 (19.1)
07	1.468 (37.3)	.687 (17.4)	.875 (22.2)
08	1.593 (40.5)	.812 (20.6)	1.000 (25.4)
10	1.843 (46.8)	1.062 (27.0)	1.250 (31.8)

**TABLE V: CABLE ENTRY**

Dash No.	K Max	Cable Entry Max
02	.781 (19.8)	.250 (6.4)
03	.906 (23.0)	.375 (9.5)
04	1.031 (26.2)	.500 (12.7)
05	1.156 (29.4)	.625 (15.9)
06	1.281 (32.5)	.750 (19.1)
07	1.406 (35.7)	.875 (22.2)
08	1.531 (38.9)	1.000 (25.4)
09	1.656 (42.1)	1.125 (28.6)
10	1.781 (45.2)	1.250 (31.8)

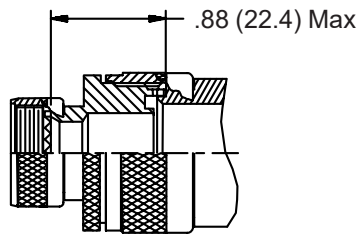
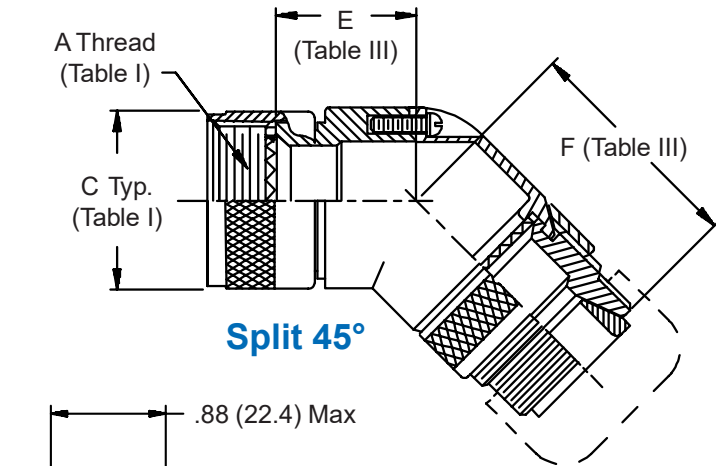
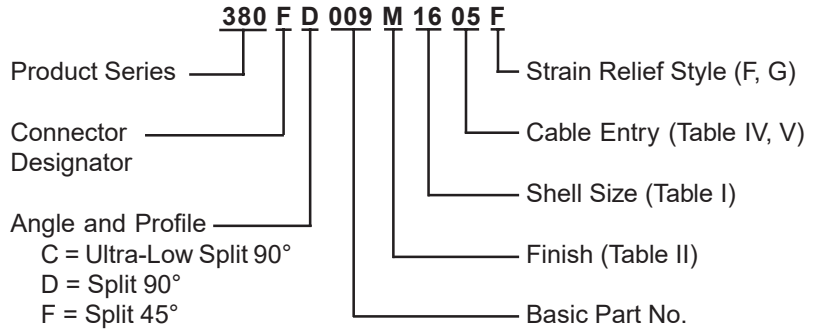
1. Metric dimensions (mm) are indicated in parentheses.
2. Cable range is defined as the accommodations range for the wire bundle or cable. Dimensions shown are not intended for inspection criteria.
3. When maximum cable entry (page 21) is exceeded, Style 2 will be supplied. Dimensions E, F, G and H will not apply. Please consult factory.
4. -445 "NESTOR" modification not available for MIL-DTL-38999 Series II.

**-445** Add "-445" to Specify Glenair's Non-Detent, ("NESTOR") Spring-Loaded, Self-Locking Coupling. See Page 41 for Details.



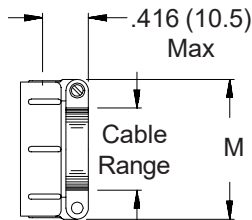
**CONNECTOR  
DESIGNATORS  
A-F-H-L-S  
ROTATABLE  
COUPLING**

**TYPE D INDIVIDUAL  
OR OVERALL  
SHIELD TERMINATION**

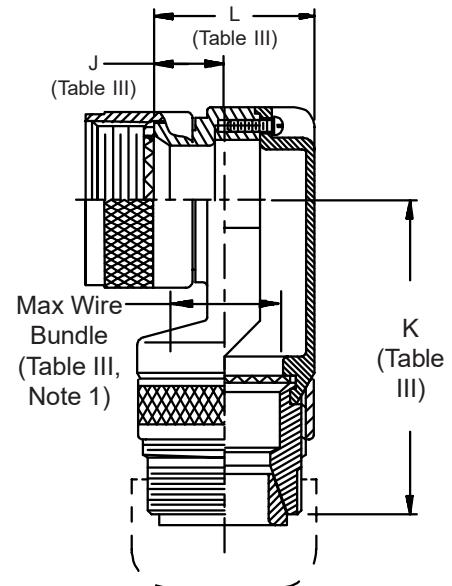
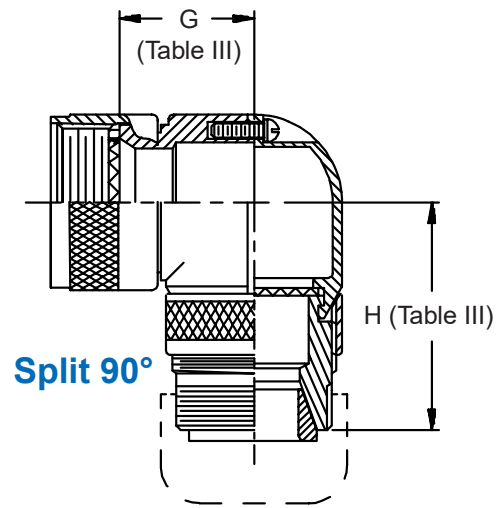
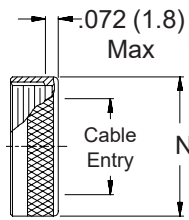


**STYLE 2**  
(See Note 1)

**STYLE F**  
Light Duty  
(Table IV)



**STYLE G**  
Light Duty  
(Table V)



**380-009**  
**EMI/RFI Non-Environmental Backshell**  
 with Strain Relief  
 Type D - Rotatable Coupling - Split Shell



See inside back cover fold-out or pages 13 and 14 for Tables I and II.

GLENAIR SYMBOL FINISH	
B	Cadmium Plate, Olive Drab
M	Electroless Nickel
NF	Cadmium Plate, Olive Drab Over Electroless Nickel
See Inside Back Cover for Additional Finish Options	

TABLE III: DIMENSIONS								
Shell Size	E Max	F Max	G Max	H Max	J Ref	K Max	L Max	Function C Max Wire Bundle
08/09	.440 (11.2)	1.730 (43.9)	.680 (17.3)	1.670 (42.4)	.340 (8.6)	1.920 (48.8)	.681 (17.3)	.250 (6.4)
10/11	.500 (12.7)	1.785 (45.3)	.750 (19.1)	1.725 (43.8)	.270 (6.9)	2.080 (52.8)	.731 (18.6)	.375 (9.5)
12/13	.560 (14.2)	1.855 (47.1)	.810 (20.6)	1.795 (45.6)	.270 (6.9)	2.080 (52.8)	.731 (18.6)	.375 (9.5)
14/15	.620 (15.7)	1.887 (47.9)	.870 (22.1)	1.827 (46.4)	.280 (7.1)	2.150 (54.6)	.831 (21.1)	.500 (12.7)
16/17	.680 (17.3)	1.987 (50.5)	.930 (23.6)	1.927 (48.9)	.420 (10.7)	2.200 (55.9)	.981 (24.9)	.625 (15.9)
18/19	.750 (19.1)	2.045 (51.9)	1.000 (25.4)	1.985 (50.4)	.640 (16.3)	2.230 (56.6)	1.181 (30.0)	.625 (15.9)
20/21	.820 (20.8)	2.106 (53.5)	1.060 (26.9)	2.046 (52.0)	.640 (16.3)	2.230 (56.6)	1.181 (30.0)	.625 (15.9)
22/23	.880 (22.4)	2.167 (55.0)	1.120 (28.4)	2.107 (53.5)	.540 (13.7)	2.380 (60.5)	1.181 (30.0)	.750 (19.1)
24/25	.940 (23.9)	2.225 (56.5)	1.180 (30.0)	2.165 (55.0)	.540 (13.7)	2.380 (60.5)	1.181 (30.0)	.750 (19.1)

TABLE IV: CABLE ENTRY			
Dash No.	M Max	Cable Range	
		Min	Max
02	.968 (24.6)	.125 (3.2)	.250 (6.4)
03	1.046 (26.6)	.250 (6.4)	.375 (9.5)
04	1.156 (29.4)	.312 (7.9)	.500 (12.7)
05	1.218 (30.9)	.437 (11.1)	.625 (15.9)
06	1.343 (34.1)	.562 (14.3)	.750 (19.1)
07	1.468 (37.3)	.687 (17.4)	.875 (22.2)
08	1.593 (40.5)	.812 (20.6)	1.000 (25.4)
10	1.843 (46.8)	1.062 (27.0)	1.250 (31.8)

TABLE V: CABLE ENTRY		
Dash No.	N Max	Cable Entry
		Max
01	.656 (16.7)	.125 (3.2)
02	.781 (19.8)	.250 (6.4)
03	.906 (23.0)	.375 (9.5)
04	1.031 (26.2)	.500 (12.7)
05	1.156 (29.4)	.625 (15.9)
06	1.281 (32.5)	.750 (19.1)
07	1.406 (35.7)	.875 (22.2)
08	1.531 (38.9)	1.000 (25.4)
09	1.656 (42.1)	1.125 (28.6)
10	1.781 (45.2)	1.250 (31.8)

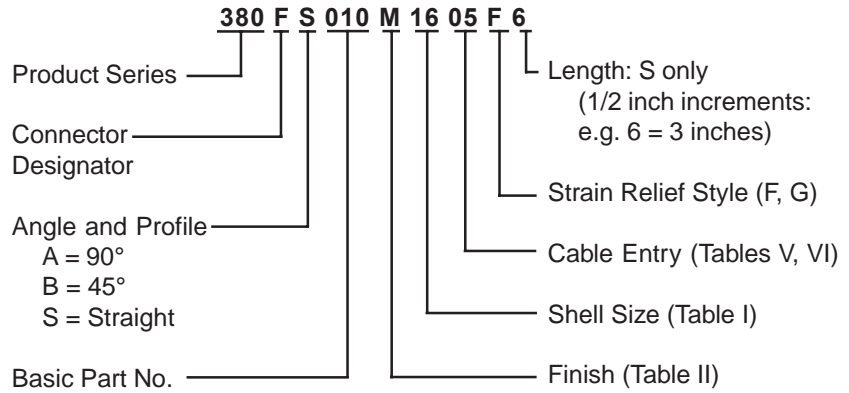
1. When maximum cable entry (page 21) is exceeded (not available in Symbol C), Style 2 will be supplied. Dimensions E, F, G and H will not apply. Please consult factory.
2. Metric dimensions (mm) are indicated in parentheses.
3. Cable range is defined as the accommodations range for the wire bundle or cable. Dimensions shown are not intended for inspection criteria.
4. Angular function "C", low-profile split elbow, not available with "S" connector designator.

CONNECTOR  
DESIGNATORS

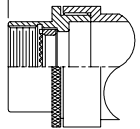
**A-B\*-C-D-E-F**  
**G-H-J-K-L-S**

\* Conn. Desig. B See Note 5  
**DIRECT COUPLING**

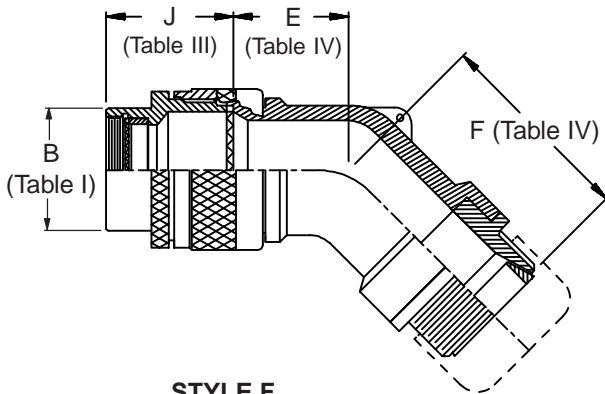
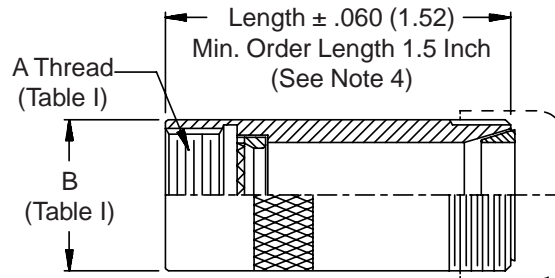
**TYPE D INDIVIDUAL  
OR OVERALL SHIELD  
TERMINATION**



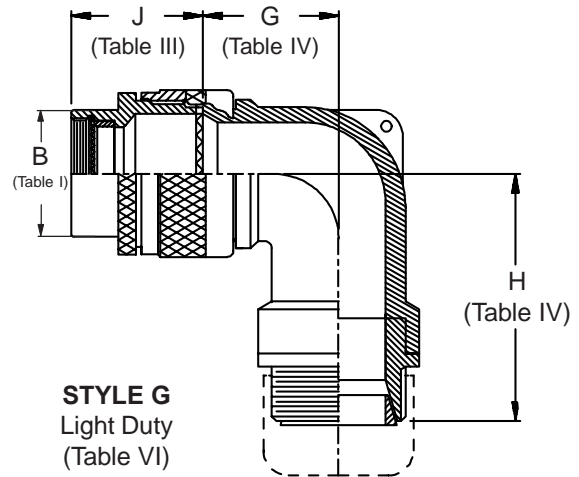
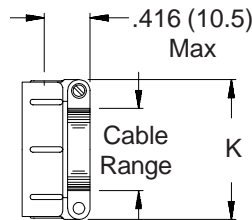
Length ± .060 (1.52)  
Min. Order Length 2.0 Inch  
(See Note 4)



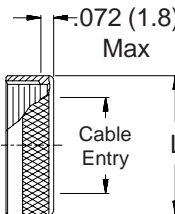
**STYLE 2**  
**(STRAIGHT)**  
See Note 1)



**STYLE F**  
Light Duty  
(Table V)



**STYLE G**  
Light Duty  
(Table VI)



**380-010**  
**EMI/RFI Non-Environmental Backshell**  
with Strain Relief  
Type D- Direct Coupling - Low Profile



**TABLE III: FRONT ADAPTER**

Shell Size	J Max - Conn. Designator		
	A-E-F		
	J-H-L-S	D-B-G-K	C
08/09	1.180 (30.0)	1.440 (36.6)	
10/11	1.180 (30.0)	1.440 (36.6)	
12/13	1.180 (30.0)	1.440 (36.6)	1.735 (44.1)
14/15	1.180 (30.0)	1.440 (36.6)	1.915 (48.6)
16/17	1.380 (35.0)	1.560 (39.6)	1.915 (48.6)
18/19	1.380 (35.0)	1.560 (39.6)	1.915 (48.6)
20/21	1.380 (35.0)	1.560 (39.6)	1.915 (48.6)
22/23	1.380 (35.0)	1.560 (39.6)	1.915 (48.6)
24/25	1.380 (35.0)	1.560 (39.6)	1.915 (48.6)
28/29	1.610 (40.9)	1.560 (39.6)	1.915 (48.6)
32/33	1.610 (40.9)	1.750 (44.5)	1.915 (48.6)
36	1.610 (40.9)	1.750 (44.5)	1.915 (48.6)
40	1.610 (40.9)	2.190 (55.6)	1.915 (48.6)

See inside back cover fold-out or pages 13 and 14 for unabridged Tables I and II.

1. When maximum cable entry (page 22) is exceeded, Style 2 will be supplied. (Function S only).
2. Metric dimensions (mm) are indicated in parentheses.
3. Cable range is defined as the accommodations range for the wire bundle or cable. Dimensions shown are not intended for inspection criteria.
4. Consult factory for shorter lengths on straight backshells.
5. When using Connector Designator B refer to pages 18 and 19 for part number development.

**TABLE IV: ELBOW DIMENSIONS**

Elbow Size	E Max	F Max	G Max	H Max
01	.457 (11.6)	1.500 (38.1)	.500 (12.7)	1.445 (36.7)
02	.457 (11.6)	1.500 (38.1)	.500 (12.7)	1.445 (36.7)
03	.520 (13.2)	1.510 (38.4)	.595 (15.1)	1.565 (39.8)
04	.582 (14.8)	1.580 (40.1)	.610 (15.5)	1.585 (40.3)
05	.738 (18.7)	1.770 (45.0)	.885 (22.5)	1.725 (43.8)
06	.926 (23.5)	1.960 (49.8)	.975 (24.8)	1.915 (48.6)
07	.926 (23.5)	1.960 (49.8)	.975 (24.8)	1.915 (48.6)
08	1.020 (25.9)	2.110 (53.6)	1.125 (28.6)	2.025 (51.4)
09	1.020 (25.9)	2.110 (53.6)	1.125 (28.6)	2.025 (51.4)
10	1.145 (29.1)	2.160 (54.9)	1.225 (31.1)	2.195 (55.8)

**TABLE II: STANDARD FINISHES**

GLENNAIR SYMBOL	FINISH
B	Cadmium Plate, Olive Drab
M	Electroless Nickel
NF	Cadmium Plate, Olive Drab Over Electroless Nickel

See Inside Back Cover for Additional Finish Options

**TABLE V: CABLE ENTRY**

Dash No.	K Max	Cable Range	
		Min	Max
02	.968 (24.6)	.125 (3.2)	.250 (6.4)
03	1.046 (26.6)	.250 (6.4)	.375 (9.5)
04	1.156 (29.4)	.312 (7.9)	.500 (12.7)
05	1.218 (30.9)	.437 (11.1)	.625 (15.9)
06	1.343 (34.1)	.562 (14.3)	.750 (19.1)
07	1.468 (37.3)	.687 (17.4)	.875 (22.2)
08	1.593 (40.5)	.812 (20.6)	1.000 (25.4)
10	1.843 (46.8)	1.062 (27.0)	1.250 (31.8)

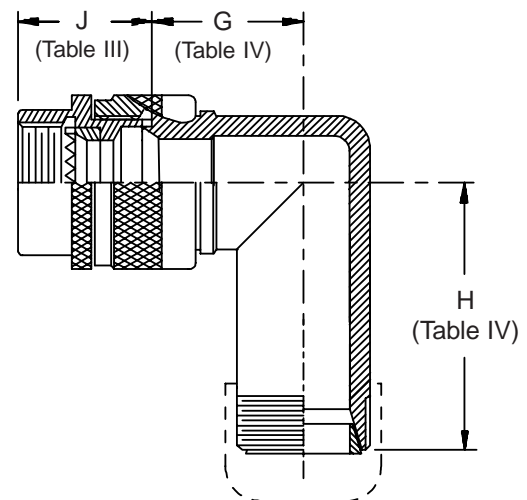
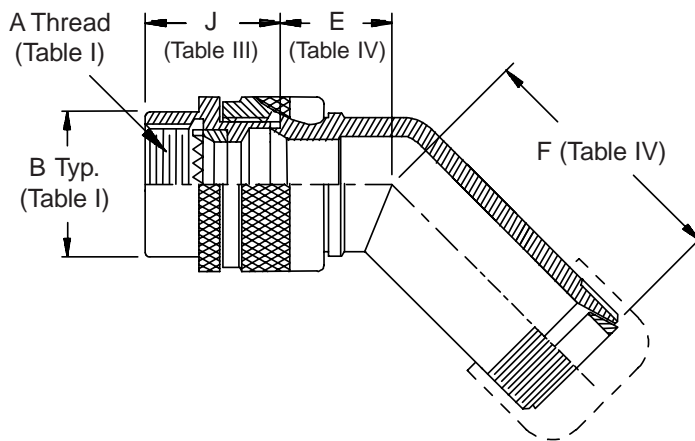
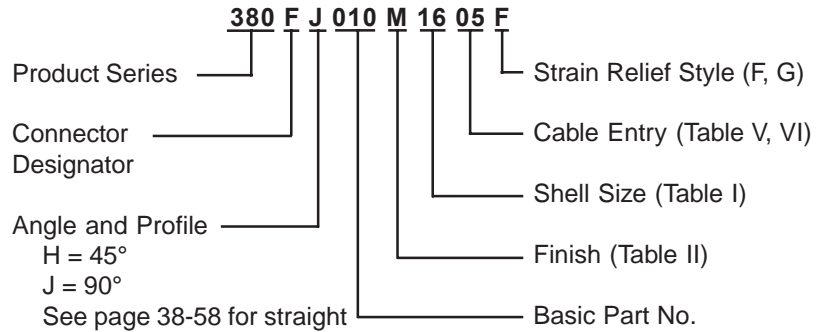
**TABLE VI: CABLE ENTRY**

Dash No.	L Max	Cable Entry Max
01	.656 (16.7)	.125 (3.2)
02	.781 (19.8)	.250 (6.4)
03	.906 (23.0)	.375 (9.5)
04	1.031 (26.2)	.500 (12.7)
05	1.156 (29.4)	.625 (15.9)
06	1.281 (32.5)	.750 (19.1)
07	1.406 (35.7)	.875 (22.2)
08	1.531 (38.9)	1.000 (25.4)
09	1.656 (42.1)	1.125 (28.6)
10	1.781 (45.2)	1.250 (31.8)

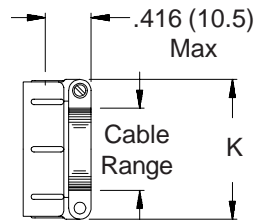
**CONNECTOR  
DESIGNATORS**  
**A-B\*-C-D-E-F**  
**G-H-J-K-L-S**

\* Conn. Desig. B See Note 3  
**DIRECT COUPLING**

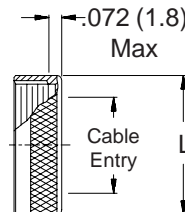
**TYPE D INDIVIDUAL  
OR OVERALL SHIELD  
TERMINATION**



**STYLE F**  
Light Duty  
(Table V)



**STYLE G**  
Light Duty  
(Table VI)



**380-010**  
**EMI/RFI Non-Environmental Backshell**  
with Strain Relief  
Type D - Direct Coupling - Standard Profile



**TABLE III: FRONT ADAPTER**

Shell Size	J Max - Conn. Designator		
	A-E-F	D-B-G-K	C
	J-H-L-S		
08/09	1.180 (30.0)	1.440 (36.6)	
10/11	1.180 (30.0)	1.440 (36.6)	
12/13	1.180 (30.0)	1.440 (36.6)	1.735 (44.1)
14/15	1.180 (30.0)	1.440 (36.6)	1.915 (48.6)
16/17	1.380 (35.0)	1.560 (39.6)	1.915 (48.6)
18/19	1.380 (35.0)	1.560 (39.6)	1.915 (48.6)
20/21	1.380 (35.0)	1.560 (39.6)	1.915 (48.6)
22/23	1.380 (35.0)	1.560 (39.6)	1.915 (48.6)
24/25	1.380 (35.0)	1.560 (39.6)	1.915 (48.6)
28/29	1.610 (40.9)	1.560 (39.6)	1.915 (48.6)
32/33	1.610 (40.9)	1.750 (44.5)	1.915 (48.6)
36	1.610 (40.9)	1.750 (44.5)	1.915 (48.6)
40	1.610 (40.9)	2.190 (55.6)	1.915 (48.6)

See inside back cover fold-out or pages 13 and 14 for unbridged Tables I and II.

1. Metric dimensions (mm) are indicated in parentheses.
2. Cable range is defined as the accommodations range for the wire bundle or cable. Dimensions shown are not intended for inspection criteria.
3. When using Connector Designator B refer to pages 18 and 19 for part number development.

**TABLE IV: ELBOW DIMENSIONS**

Elbow Size	E Max	F Max	G Max	H Max
01	.639 (16.2)	.940 (23.9)	.750 (19.1)	1.050 (26.7)
02	.639 (16.2)	.940 (23.9)	.750 (19.1)	1.050 (26.7)
03	.664 (16.9)	.970 (24.6)	.810 (20.6)	1.110 (28.2)
04	.688 (17.5)	.990 (25.1)	.870 (22.1)	1.170 (29.7)
05	.732 (18.6)	1.040 (26.4)	.980 (24.9)	1.300 (33.0)
06	.748 (19.0)	1.050 (26.7)	1.020 (25.9)	1.320 (33.5)
07	.773 (19.6)	1.070 (27.2)	1.080 (27.4)	1.380 (35.1)
08	.800 (20.3)	1.110 (28.2)	1.140 (29.0)	1.460 (37.1)
09	.823 (20.9)	1.140 (29.0)	1.200 (30.5)	1.530 (38.9)
10	1.041 (26.4)	1.310 (33.3)	1.480 (37.6)	1.770 (45.0)

**TABLE II: STANDARD FINISHES**

GLENAIR SYMBOL	FINISH
B	Cadmium Plate, Olive Drab
M	Electroless Nickel
NF	Cadmium Plate, Olive Drab Over Electroless Nickel

See Inside Back Cover for Additional Finish Options

**TABLE V: CABLE ENTRY**

Dash No.	K Max	Cable Range	
		Min	Max
02	.968 (24.6)	.125 (3.2)	.250 (6.4)
03	1.046 (26.6)	.250 (6.4)	.375 (9.5)
04	1.156 (29.4)	.312 (7.9)	.500 (12.7)
05	1.218 (30.9)	.437 (11.1)	.625 (15.9)
06	1.343 (34.1)	.562 (14.3)	.750 (19.1)
07	1.468 (37.3)	.687 (17.4)	.875 (22.2)
08	1.593 (40.5)	.812 (20.6)	1.000 (25.4)
10	1.843 (46.8)	1.062 (27.0)	1.250 (31.8)

**TABLE VI: CABLE ENTRY**

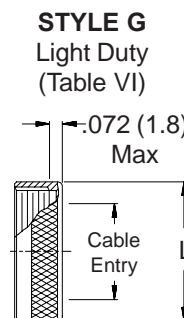
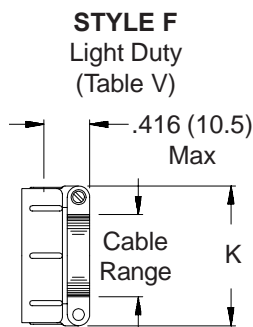
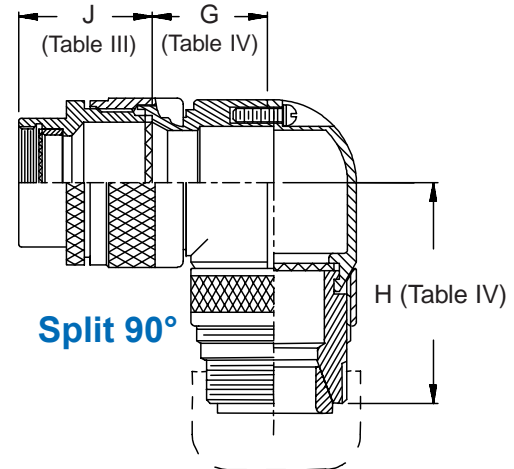
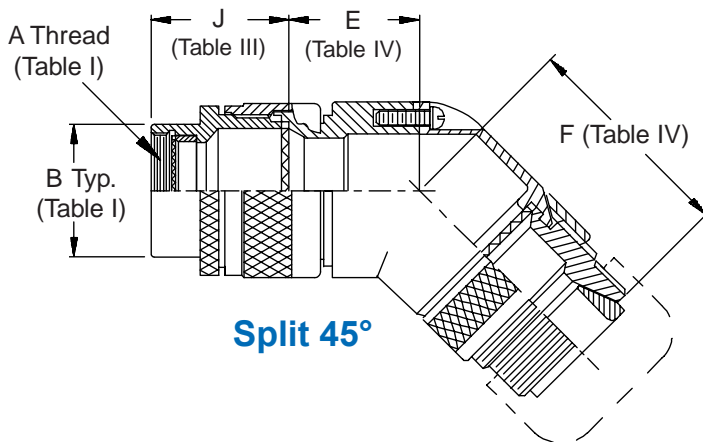
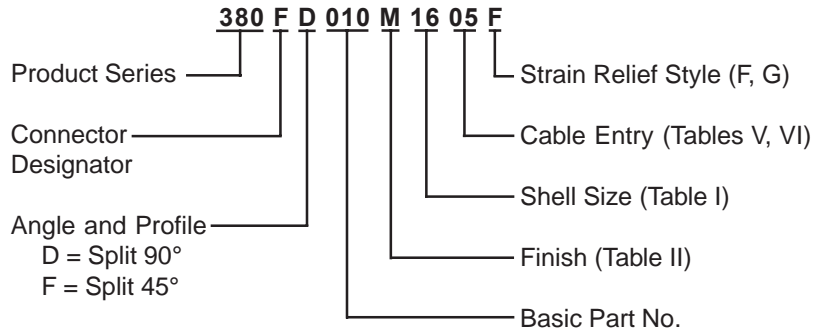
Dash No.	L Max	Cable Entry	
		Min	Max
01	.656 (16.7)	.125 (3.2)	
02	.781 (19.8)	.250 (6.4)	
03	.906 (23.0)	.375 (9.5)	
04	1.031 (26.2)	.500 (12.7)	
05	1.156 (29.4)	.625 (15.9)	
06	1.281 (32.5)	.750 (19.1)	
07	1.406 (35.7)	.875 (22.2)	
08	1.531 (38.9)	1.000 (25.4)	
09	1.656 (42.1)	1.125 (28.6)	
10	1.781 (45.2)	1.250 (31.8)	



**CONNECTOR  
DESIGNATORS  
A-B\*-C-D-E-F  
G-H-J-K-L-S**

\* Conn. Desig. B See Note 3  
**DIRECT COUPLING**

**TYPE D INDIVIDUAL  
OR OVERALL SHIELD  
TERMINATION**



**380-010**  
**EMI/RFI Non-Environmental Backshell**  
with Strain Relief  
Type D - Direct Coupling - Split Shell



**TABLE III: FRONT ADAPTER**

Shell Size	J Max - Conn. Designator		
	A-E-F		
	J-H-L-S	D-B-G-K	C
08/09	1.180 (30.0)	1.440 (36.6)	
10/11	1.180 (30.0)	1.440 (36.6)	
12/13	1.180 (30.0)	1.440 (36.6)	1.735 (44.1)
14/15	1.180 (30.0)	1.440 (36.6)	1.915 (48.6)
16/17	1.380 (35.0)	1.560 (39.6)	1.915 (48.6)
18/19	1.380 (35.0)	1.560 (39.6)	1.915 (48.6)
20/21	1.380 (35.0)	1.560 (39.6)	1.915 (48.6)
22/23	1.380 (35.0)	1.560 (39.6)	1.915 (48.6)
24/25	1.380 (35.0)	1.560 (39.6)	1.915 (48.6)
28/29	1.610 (40.9)	1.560 (39.6)	1.915 (48.6)
32/33	1.610 (40.9)	1.750 (44.5)	1.915 (48.6)
36	1.610 (40.9)	1.750 (44.5)	1.915 (48.6)
40	1.610 (40.9)	2.190 (55.6)	1.915 (48.6)

See inside back cover fold-out or pages 13 and 14 for unbridge Tables I and II.

1. Metric dimensions (mm) are indicated in parentheses.
2. Cable range is defined as the accommodations range for the wire bundle or cable. Dimensions shown are not intended for inspection criteria.
3. When using Connector Designator B refer to pages 18 and 19 for part number development.

**TABLE IV: ELBOW DIMENSIONS**

Elbow Size	E Max	F Max	G Max	H Max
01	.440 (11.2)	1.730 (43.9)	.680 (17.3)	1.670 (42.4)
02	.440 (11.2)	1.730 (43.9)	.680 (17.3)	1.670 (42.4)
03	.500 (12.7)	1.785 (45.3)	.750 (19.1)	1.725 (43.8)
04	.560 (14.2)	1.855 (47.1)	.810 (20.6)	1.795 (45.6)
05	.680 (17.3)	1.987 (50.5)	.870 (22.1)	1.827 (46.4)
06	.750 (19.1)	2.045 (51.9)	.930 (23.6)	1.927 (48.9)
07	.820 (20.8)	2.106 (53.5)	1.000 (25.4)	1.985 (50.4)
08	.880 (22.4)	2.167 (55.0)	1.060 (26.9)	2.046 (52.0)
09	.940 (23.9)	2.225 (56.5)	1.120 (28.4)	2.107 (53.5)
10	1.000 (25.4)	2.285 (58.0)	1.180 (30.0)	2.165 (55.0)

**TABLE II: STANDARD FINISHES**

GLENAIR SYMBOL	FINISH
B	Cadmium Plate, Olive Drab
M	Electroless Nickel
NF	Cadmium Plate, Olive Drab Over Electroless Nickel

See Inside Back Cover for Additional Finish Options

**TABLE V: CABLE ENTRY**

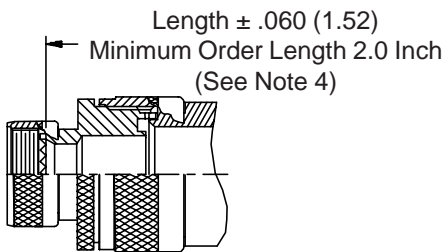
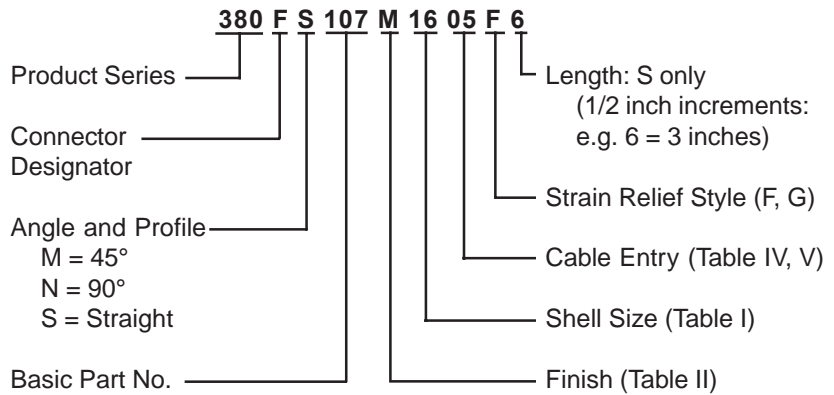
Dash No.	K Max	Cable Range	
		Min	Max
02	.968 (24.6)	.125 (3.2)	.250 (6.4)
03	1.046 (26.6)	.250 (6.4)	.375 (9.5)
04	1.156 (29.4)	.312 (7.9)	.500 (12.7)
05	1.218 (30.9)	.437 (11.1)	.625 (15.9)
06	1.343 (34.1)	.562 (14.3)	.750 (19.1)
07	1.468 (37.3)	.687 (17.4)	.875 (22.2)
08	1.593 (40.5)	.812 (20.6)	1.000 (25.4)
10	1.843 (46.8)	1.062 (27.0)	1.250 (31.8)

**TABLE VI: CABLE ENTRY**

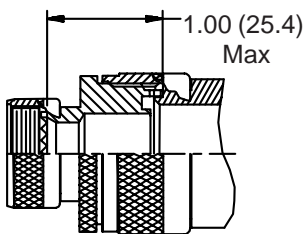
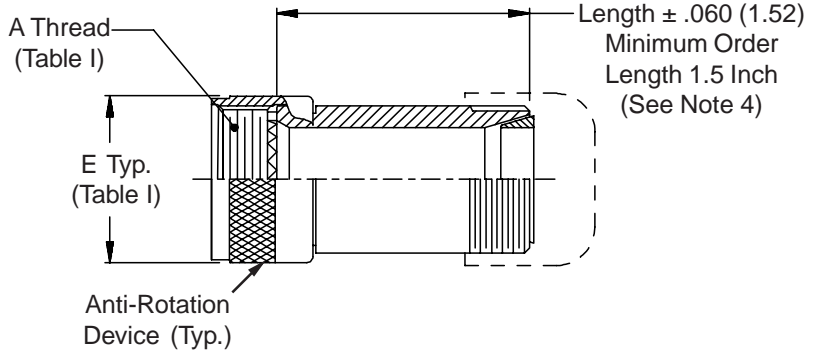
Dash No.	L Max	Cable Entry	
		Max	Max
01	.656 (16.7)	.125 (3.2)	
02	.781 (19.8)	.250 (6.4)	
03	.906 (23.0)	.375 (9.5)	
04	1.031 (26.2)	.500 (12.7)	
05	1.156 (29.4)	.625 (15.9)	
06	1.281 (32.5)	.750 (19.1)	
07	1.406 (35.7)	.875 (22.2)	
08	1.531 (38.9)	1.000 (25.4)	
09	1.656 (42.1)	1.125 (28.6)	
10	1.781 (45.2)	1.250 (31.8)	

**CONNECTOR  
 DESIGNATORS  
 A-F-H-L-S  
 SELF-LOCKING  
 ROTATABLE  
 COUPLING**

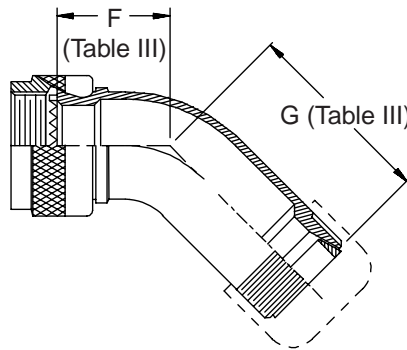
**TYPE D INDIVIDUAL  
 OR OVERALL  
 SHIELD TERMINATION**



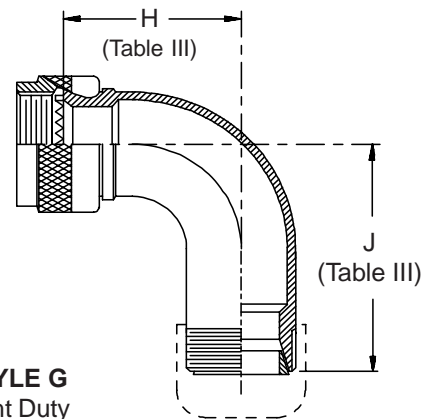
**STYLE 2  
 (STRAIGHT  
 See Note 1)**



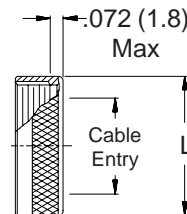
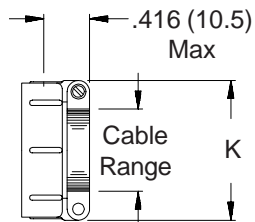
**STYLE 2  
 (45° & 90°  
 See Note 1)**



**STYLE F  
 Light Duty  
 (Table IV)**



**STYLE G  
 Light Duty  
 (Table V)**



**380-107**  
**EMI/RFI Non-Environmental Backshell**  
with Strain Relief  
**Type D - Self-Locking - Rotatable Coupling - Full Radius**



See inside back cover fold-out or pages 13 and 14 for unabridged Tables I and II.

**TABLE II: STANDARD FINISHES**

GLENAIR	
SYMBOL	FINISH
B	Cadmium Plate, Olive Drab
M	Electroless Nickel
NF	Cadmium Plate, Olive Drab Over Electroless Nickel
See Inside Back Cover for Additional Finish Options	

**TABLE III: ELBOW DIMENSIONS**

Shell Size		F	G	H	J
Conn. Desig.	H	Max	Max	Max	Max
A-F-L-S					
08	09	.963 (24.5)	.857 (21.8)	1.281 (32.5)	1.175 (29.8)
10	11	1.017 (25.8)	.911 (23.1)	1.406 (35.7)	1.300 (33.0)
12	13	1.067 (27.1)	.961 (24.4)	1.531 (38.9)	1.425 (36.2)
14	15	1.121 (28.5)	1.015 (25.8)	1.656 (42.1)	1.550 (39.4)
16	17	1.170 (29.7)	1.064 (27.0)	1.781 (45.2)	1.675 (42.5)
18	19	1.220 (31.0)	1.114 (28.3)	1.906 (48.4)	1.800 (45.7)
20	21	1.274 (32.4)	1.168 (29.7)	2.031 (51.6)	1.925 (48.9)
22	23	1.328 (33.7)	1.222 (31.0)	2.156 (54.8)	2.050 (52.1)
24	25	1.377 (35.0)	1.271 (32.3)	2.281 (57.9)	2.175 (55.2)
28		1.481 (37.6)	1.375 (34.9)	2.531 (64.3)	2.425 (61.6)
32		1.584 (40.2)	1.478 (37.5)	2.781 (70.6)	2.675 (67.9)

**TABLE IV: CABLE ENTRY**

Dash No.	K Max	Cable Range	
		Min	Max
02	.968 (24.6)	.125 (3.2)	.250 (6.4)
03	1.046 (26.6)	.250 (6.4)	.375 (9.5)
04	1.156 (29.4)	.312 (7.9)	.500 (12.7)
05	1.218 (30.9)	.437 (11.1)	.625 (15.9)
06	1.343 (34.1)	.562 (14.3)	.750 (19.1)
07	1.468 (37.3)	.687 (17.4)	.875 (22.2)
08	1.593 (40.5)	.812 (20.6)	1.000 (25.4)
10	1.843 (46.8)	1.062 (27.0)	1.250 (31.8)

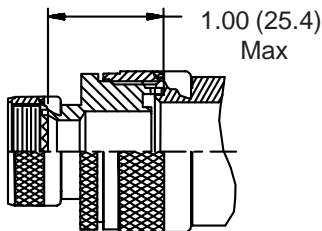
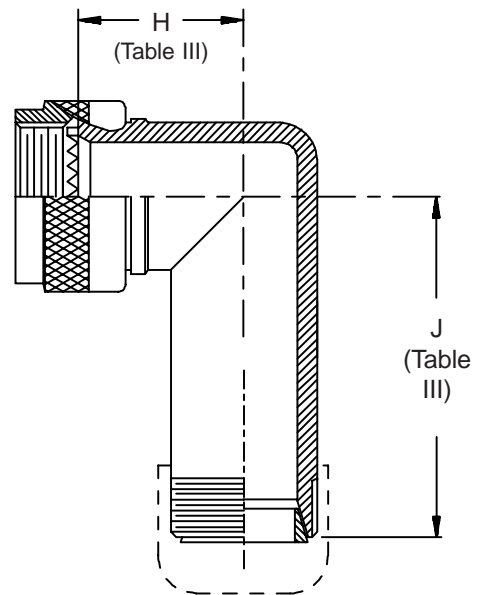
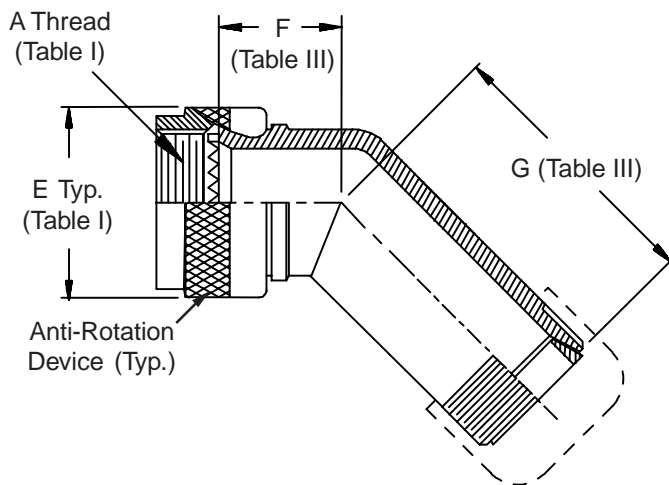
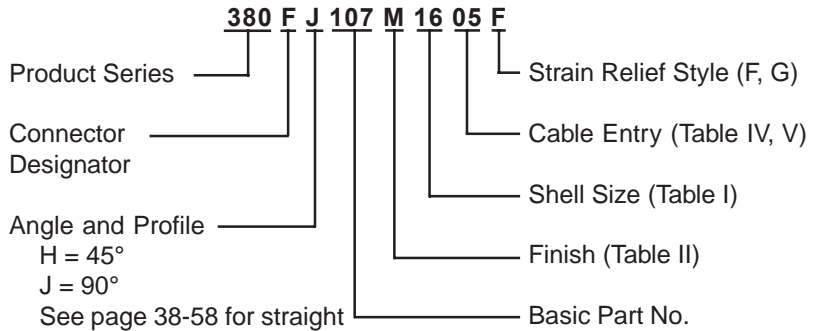
**TABLE V: CABLE ENTRY**

Dash No.	L Max	Cable Entry Max
01	.656 (16.7)	.125 (3.2)
02	.781 (19.8)	.250 (6.4)
03	.906 (23.0)	.375 (9.5)
04	1.031 (26.2)	.500 (12.7)
05	1.156 (29.4)	.625 (15.9)
06	1.281 (32.5)	.750 (19.1)
07	1.406 (35.7)	.875 (22.2)
08	1.531 (38.9)	1.000 (25.4)
09	1.656 (42.1)	1.125 (28.6)
10	1.781 (45.2)	1.250 (31.8)

- When maximum cable entry (page 21) is exceeded, Style 2 will be supplied. Dimensions F, G, H and J will not apply. Please consult factory.
- Metric dimensions (mm) are indicated in parentheses.
- Cable range is defined as the accommodations range for the wire bundle or cable. Dimensions shown are not intended for inspection criteria.
- Consult factory for shorter lengths on straight backshells.

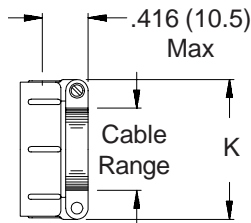
**CONNECTOR  
 DESIGNATORS  
 A-F-H-L-S  
 SELF-LOCKING  
 ROTATABLE  
 COUPLING**

**TYPE D INDIVIDUAL  
 OR OVERALL  
 SHIELD TERMINATION**

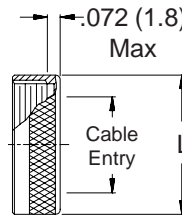


**STYLE 2**  
 (See Note 1)

**STYLE F**  
 Light Duty  
 (Table IV)



**STYLE G**  
 Light Duty  
 (Table V)



**380-107**  
**EMI/RFI Non-Environmental Backshell**  
with Strain Relief  
Type D - Self-Locking - Rotatable Coupling - Standard Profile



See inside back cover fold-out or pages 13 and 14 for unabridged Tables I and II.

TABLE III: ELBOW DIMENSIONS						
Shell Size		F Max	G Max	H Max	J Max	
Conn. Desig.	H					
A-F-L-S	H					
08	09	.795 (20.2)	.760 (19.3)	.906 (23.0)	.860 (21.8)	
10	11	.820 (20.8)	.790 (20.1)	.966 (24.5)	.930 (23.6)	
12	13	.844 (21.4)	.810 (20.6)	1.026 (26.1)	.990 (25.1)	
14	15	.861 (21.9)	.840 (21.3)	1.076 (27.3)	1.050 (26.7)	
16	17	.888 (22.6)	.860 (21.8)	1.136 (28.9)	1.110 (28.2)	
18	19	.904 (23.0)	.870 (22.1)	1.176 (29.9)	1.160 (29.5)	
20	21	.929 (23.6)	.890 (22.6)	1.236 (31.4)	1.230 (31.2)	
22	23	.956 (24.3)	.930 (23.6)	1.296 (32.9)	1.280 (32.5)	
24	25	.979 (24.9)	.960 (24.4)	1.356 (34.4)	1.350 (34.3)	
28		1.197 (30.4)	1.130 (28.7)	1.636 (41.6)	1.590 (40.4)	
32		1.248 (31.7)	1.170 (29.7)	1.766 (44.9)	1.680 (42.7)	
36		1.294 (32.9)	1.220 (31.0)	1.876 (47.7)	1.790 (45.5)	

TABLE II: STANDARD FINISHES	
GLENAIR SYMBOL	FINISH
B	Cadmium Plate, Olive Drab
M	Electroless Nickel
NF	Cadmium Plate, Olive Drab Over Electroless Nickel
See Inside Back Cover for Additional Finish Options	

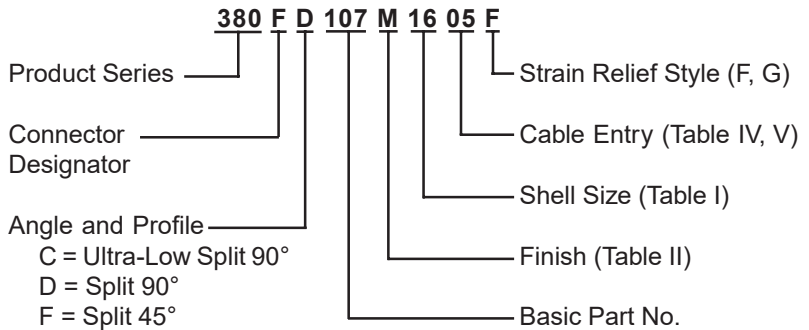
TABLE IV: CABLE ENTRY			
Dash No.	K Max	Cable Range	
		Min	Max
02	.968 (24.6)	.125 (3.2)	.250 (6.4)
03	1.046 (26.6)	.250 (6.4)	.375 (9.5)
04	1.156 (29.4)	.312 (7.9)	.500 (12.7)
05	1.218 (30.9)	.437 (11.1)	.625 (15.9)
06	1.343 (34.1)	.562 (14.3)	.750 (19.1)
07	1.468 (37.3)	.687 (17.4)	.875 (22.2)
08	1.593 (40.5)	.812 (20.6)	1.000 (25.4)
10	1.843 (46.8)	1.062 (27.0)	1.250 (31.8)

TABLE V: CABLE ENTRY		
Dash No.	L Max	Cable Entry Max
01	.656 (16.7)	.125 (3.2)
02	.781 (19.8)	.250 (6.4)
03	.906 (23.0)	.375 (9.5)
04	1.031 (26.2)	.500 (12.7)
05	1.156 (29.4)	.625 (15.9)
06	1.281 (32.5)	.750 (19.1)
07	1.406 (35.7)	.875 (22.2)
08	1.531 (38.9)	1.000 (25.4)
09	1.656 (42.1)	1.125 (28.6)
10	1.781 (45.2)	1.250 (31.8)

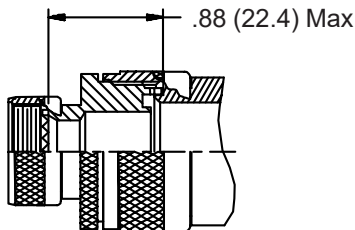
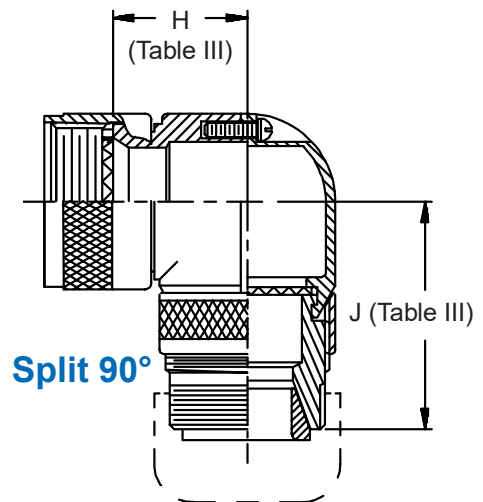
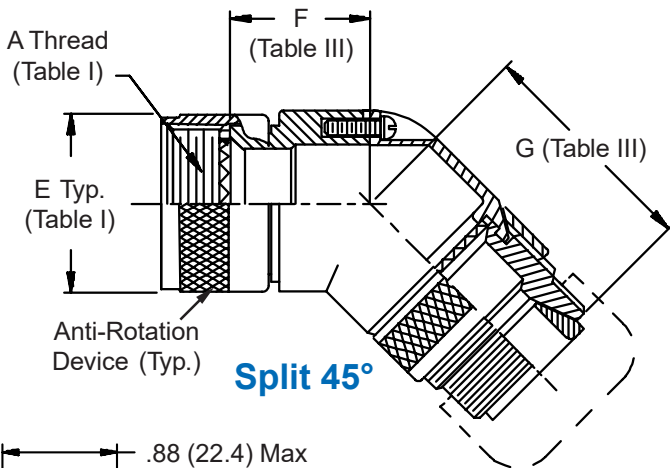
1. Metric dimensions (mm) are indicated in parentheses.
2. Cable range is defined as the accommodations range for the wire bundle or cable. Dimensions shown are not intended for inspection criteria.
3. When maximum cable entry (page 21) is exceeded, Style 2 will be supplied. Dimensions F, G, H and J will not apply. Please consult factory.



**CONNECTOR  
 DESIGNATORS  
 A-F-H-L-S  
 SELF-LOCKING  
 ROTATABLE  
 COUPLING**



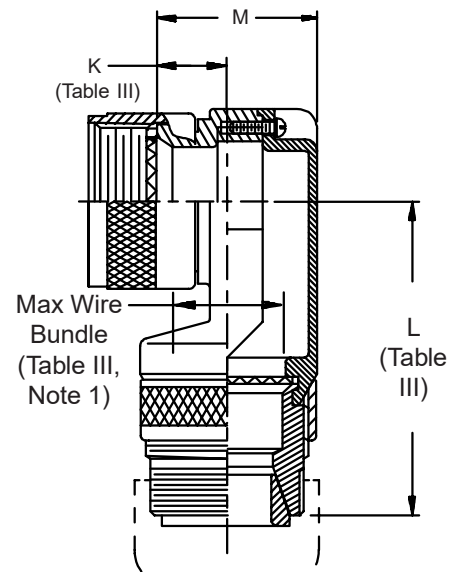
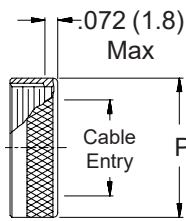
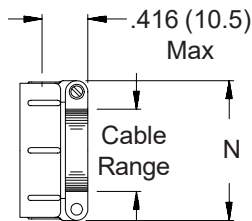
**TYPE D INDIVIDUAL  
 OR OVERALL  
 SHIELD TERMINATION**



**STYLE 2**  
 (See Note 1)

**STYLE F**  
 Light Duty  
 (Table IV)

**STYLE G**  
 Light Duty  
 (Table V)



**Ultra Low-Profile  
 Split 90°**

**380-107**  
**EMI/RFI Non-Environmental Backshell**  
with Strain Relief  
**Type D - Self-Locking - Rotatable Coupling - Split Shell**



See inside back cover fold-out or pages 13 and 14 for unabridged Tables I and II.

**TABLE II: STANDARD FINISHES**

GLENAIR	
SYMBOL	FINISH
B	Cadmium Plate, Olive Drab
M	Electroless Nickel
NF	Cadmium Plate, Olive Drab Over Electroless Nickel
See Inside Back Cover for Additional Finish Options	

**TABLE III: DIMENSIONS**

Shell Size	F Max	G Max	H Max	J Ref	K Max	L Max	M Max	Function C Max Wire Bundle
08/09	.596 (15.1)	1.730 (43.9)	.836 (21.2)	1.670 (42.4)	.496 (12.6)	1.920 (48.8)	.837 (21.3)	.250 (6.4)
10/11	.656 (16.7)	1.785 (45.3)	.906 (23.0)	1.725 (43.8)	.426 (10.8)	2.080 (52.8)	.887 (22.5)	.375 (9.5)
12/13	.716 (18.2)	1.855 (47.1)	.966 (24.5)	1.795 (45.6)	.426 (10.8)	2.080 (52.8)	.887 (22.5)	.375 (9.5)
14/15	.776 (19.7)	1.887 (47.9)	1.026 (26.1)	1.827 (46.4)	.436 (11.1)	2.150 (54.6)	.987 (25.1)	.500 (12.7)
16/17	.836 (21.2)	1.987 (50.5)	1.086 (27.6)	1.927 (48.9)	.576 (14.6)	2.200 (55.9)	1.137 (28.9)	.625 (15.9)
18/19	.906 (23.0)	2.045 (51.9)	1.156 (29.4)	1.985 (50.4)	.796 (20.2)	2.230 (56.6)	1.337 (34.0)	.625 (15.9)
20/21	.976 (24.8)	2.106 (53.5)	1.216 (30.9)	2.046 (52.0)	.796 (20.2)	2.230 (56.6)	1.337 (34.0)	.625 (15.9)
22/23	1.036 (26.3)	2.167 (55.0)	1.276 (32.4)	2.107 (53.5)	.696 (17.7)	2.380 (60.5)	1.337 (34.0)	.750 (19.1)
24/25	1.096 (27.8)	2.225 (56.5)	1.336 (33.9)	2.165 (55.0)	.696 (17.7)	2.380 (60.5)	1.337 (34.0)	.750 (19.1)

**TABLE IV: CABLE ENTRY**

Dash No.	N Max	Cable Range	
		Min	Max
02	.968 (24.6)	.125 (3.2)	.250 (6.4)
03	1.046 (26.6)	.250 (6.4)	.375 (9.5)
04	1.156 (29.4)	.312 (7.9)	.500 (12.7)
05	1.218 (30.9)	.437 (11.1)	.625 (15.9)
06	1.343 (34.1)	.562 (14.3)	.750 (19.1)
07	1.468 (37.3)	.687 (17.4)	.875 (22.2)
08	1.593 (40.5)	.812 (20.6)	1.000 (25.4)
10	1.843 (46.8)	1.062 (27.0)	1.250 (31.8)

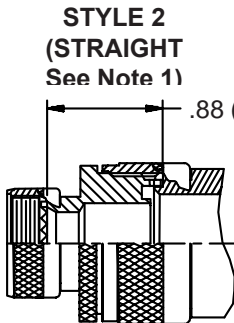
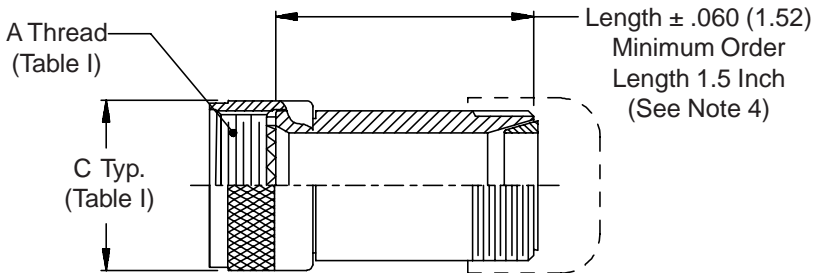
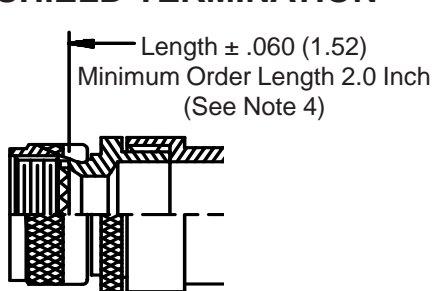
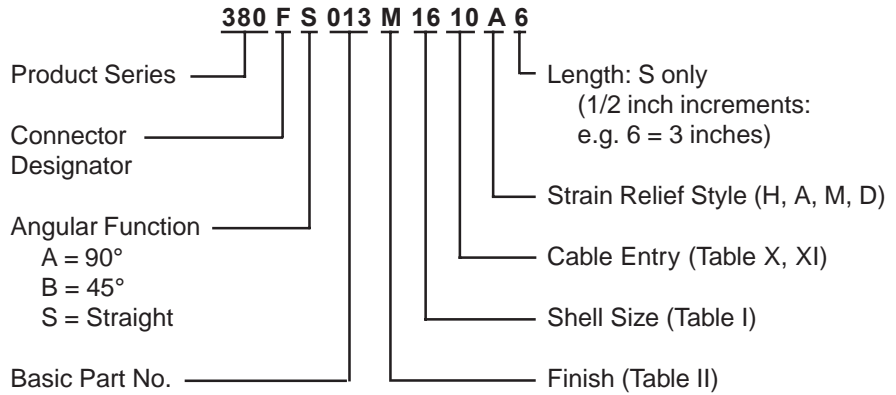
**TABLE V: CABLE ENTRY**

Dash No.	P Max	Cable Entry Max
01	.656 (16.7)	.125 (3.2)
02	.781 (19.8)	.250 (6.4)
03	.906 (23.0)	.375 (9.5)
04	1.031 (26.2)	.500 (12.7)
05	1.156 (29.4)	.625 (15.9)
06	1.281 (32.5)	.750 (19.1)
07	1.406 (35.7)	.875 (22.2)
08	1.531 (38.9)	1.000 (25.4)
09	1.656 (42.1)	1.125 (28.6)
10	1.781 (45.2)	1.250 (31.8)

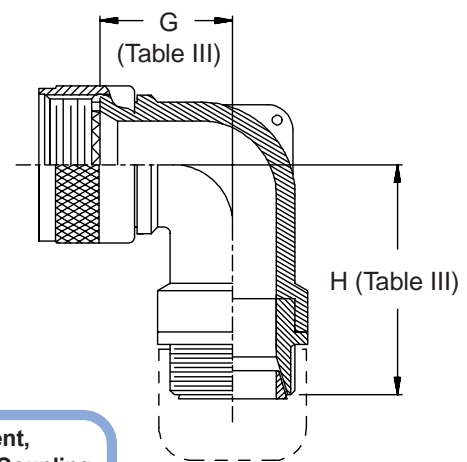
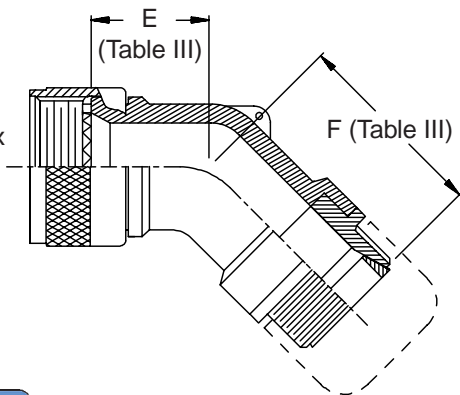
1. When maximum cable entry (page 21) is exceeded (not available in Function C), Style 2 will be supplied. Dimensions F, G, H and J will not apply. Please consult factory.
2. Metric dimensions (mm) are indicated in parentheses.
3. Cable range is defined as the accommodations range for the wire bundle or cable. Dimensions shown are not intended for inspection criteria.
4. Angular function "C", low-profile split elbow, not available with "S" connector designator.

**CONNECTOR  
 DESIGNATORS  
 A-F-H-L-S  
 ROTATABLE  
 COUPLING**

**TYPE D INDIVIDUAL  
 OR OVERALL  
 SHIELD TERMINATION**

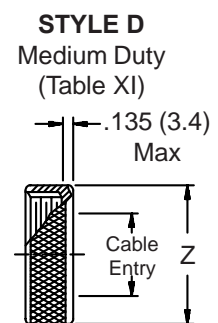
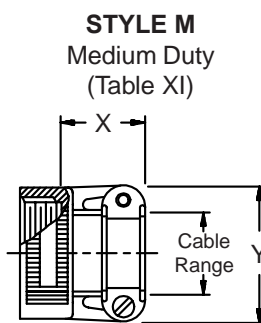
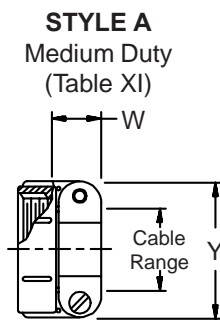
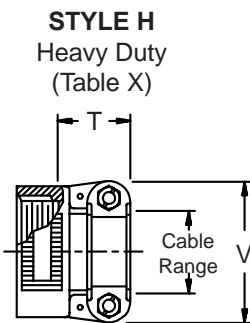


**STYLE 2  
 (45° & 90°  
 See Note 1)**



**-445**

Add "-445" to Specify Glenair's Non-Detent, ("NESTOR") Spring-Loaded, Self-Locking Coupling. See Page 41 for Details.



**380-013**  
**EMI/RFI Non-Environmental Backshell**  
**with Strain Relief**  
**Type D - Rotatable Coupling - Low Profile**



**TABLE III: ELBOW DIMENSIONS**

Shell Size		E		F		G		H	
Conn. Desig.	H	Max		Max		Max		Max	
A-F-L-S									
08	09	.457	(11.6)	1.730	(43.9)	.560	(14.2)	1.680	(42.7)
10	11	.520	(13.2)	1.730	(43.9)	.660	(16.8)	1.800	(45.7)
12	13	.582	(14.8)	1.790	(45.5)	.670	(17.0)	1.820	(46.2)
14	15	.645	(16.4)	1.880	(47.8)	.760	(19.3)	1.890	(48.0)
16	17	.738	(18.7)	1.990	(50.5)	.950	(24.1)	1.980	(50.3)
18	19	.926	(23.5)	2.180	(55.4)	1.030	(26.2)	2.150	(54.6)
20	21	.926	(23.5)	2.180	(55.4)	1.030	(26.2)	2.150	(54.6)
22	23	1.020	(25.9)	2.330	(59.2)	1.180	(30.0)	2.260	(57.4)
24	25	1.020	(25.9)	2.330	(59.2)	1.180	(30.0)	2.260	(57.4)
28		1.145	(29.1)	2.380	(60.5)	1.280	(32.5)	2.430	(61.7)
32		1.207	(30.7)	2.480	(63.0)	1.630	(41.4)	2.680	(68.1)
36		1.238	(31.4)	2.570	(65.3)	1.830	(46.5)	2.680	(68.1)

See inside back cover  
fold-out or pages 13 and  
14 for unabridged  
**Tables I and II.**

**TABLE II: STANDARD FINISHES**

GLENAIR	
SYMBOL	FINISH
B	Cadmium Plate, Olive Drab
M	Electroless Nickel
NF	Cadmium Plate, Olive Drab Over Electroless Nickel
See Inside Back Cover for Additional Finish Options	

**TABLE X: CABLE ENTRY**

Dash No.	T Max	V Max	Cable Range			
			Min		Max	
04	.780 (19.8)	.957 (24.3)	.125 (3.2)	.312 (7.9)		
06	.780 (19.8)	1.145 (29.1)	.250 (6.4)	.437 (11.1)		
08	.780 (19.8)	1.332 (33.8)	.312 (7.9)	.562 (14.3)		
10	.780 (19.8)	1.332 (33.8)	.350 (8.9)	.625 (15.9)		
12	.811 (20.6)	1.551 (39.4)	.500 (12.7)	.750 (19.1)		
16	.905 (23.0)	1.770 (45.0)	.625 (15.9)	.937 (23.8)		
20	1.092 (27.7)	2.113 (53.7)	.875 (22.2)	1.250 (31.8)		
24	1.124 (28.5)	2.363 (60.0)	1.000 (25.4)	1.375 (34.9)		
28	1.399 (35.5)	2.770 (70.4)	1.250 (31.8)	1.625 (41.3)		
32	1.399 (35.5)	3.020 (76.7)	1.437 (36.5)	1.875 (47.6)		

- When maximum cable entry (page 21) is exceeded, Style 2 will be supplied. Dimensions E, F, G and H will not apply. Please consult factory.
- Metric dimensions (mm) are indicated in parentheses.
- Cable range is defined as the accommodations range for the wire bundle or cable. Dimensions shown are not intended for inspection criteria.
- Consult factory for shorter lengths on straight backshells.

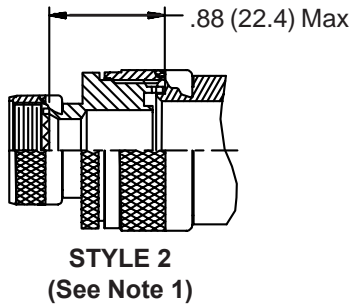
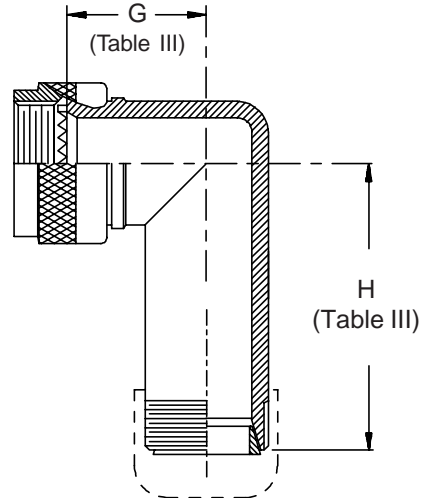
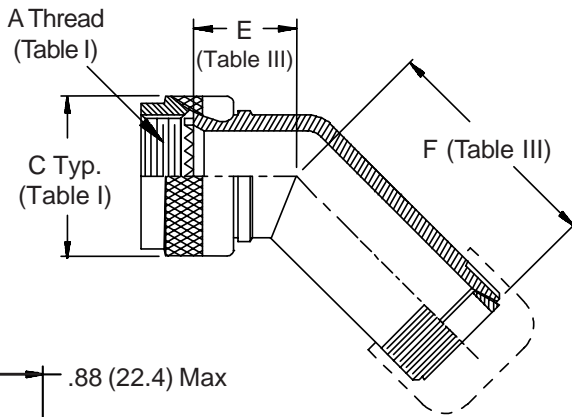
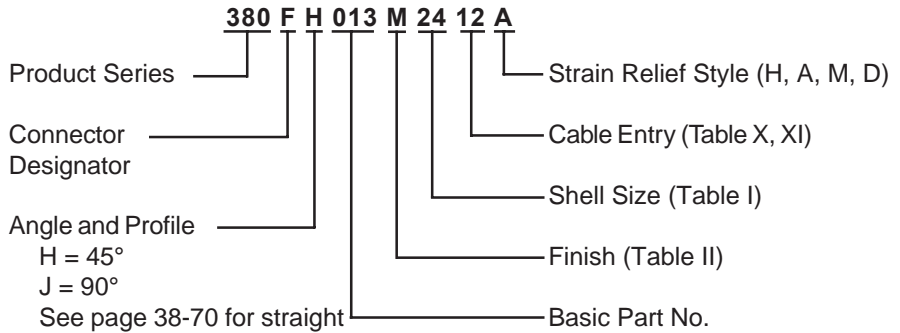
**TABLE XI: CABLE ENTRY**

Dash No.	W Max	X Max	Y Max	Z Max	Cable Range		
					Min **		Max
03*	.437 (11.1)	.760 (19.3)	.843 (21.4)	.630 (16.0)	.156 (4.0)	.250 (6.4)	
04*	.437 (11.1)	.760 (19.3)	.906 (23.0)	.755 (19.2)	.188 (4.8)	.312 (7.9)	
06*	.500 (12.7)	.760 (19.3)	1.093 (27.8)	.942 (23.9)	.281 (7.1)	.438 (11.1)	
08	.563 (14.3)	.760 (19.3)	1.187 (30.1)	1.067 (27.1)	.344 (8.7)	.562 (14.3)	
10	.563 (14.3)	.760 (19.3)	1.281 (32.5)	1.192 (30.3)	.375 (9.5)	.625 (15.9)	
12	.563 (14.3)	.760 (19.3)	1.500 (38.1)	1.380 (35.1)	.438 (11.1)	.750 (19.1)	
16	.656 (16.7)	1.073 (27.3)	1.719 (43.7)	1.535 (39.0)	.562 (14.3)	.938 (23.8)	
20	.656 (16.7)	1.323 (33.6)	2.062 (52.4)	1.848 (46.9)	.750 (19.1)	1.250 (31.8)	
24	.656 (16.7)	1.323 (33.6)	2.312 (58.7)	2.255 (57.3)	.781 (19.8)	1.375 (34.9)	
28	1.188 (30.2)	1.572 (39.9)	2.719 (69.1)	2.505 (63.6)	.969 (24.6)	1.625 (41.3)	
32*	1.187 (30.1)	1.572 (39.9)	2.969 (75.4)	2.755 (70.0)	1.125 (28.6)	1.875 (47.6)	
40*	1.125 (28.6)	1.572 (39.9)	3.531 (89.7)	3.255 (82.7)	1.469 (37.3)	2.375 (60.3)	

\* Not available in Style M clamp.      \*\* Not Applicable Style D

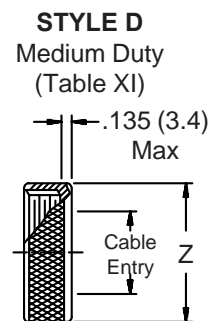
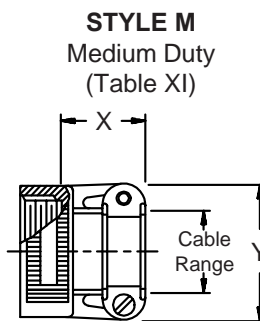
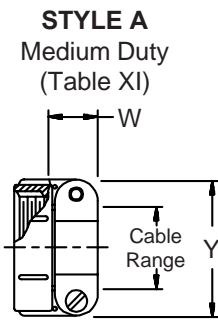
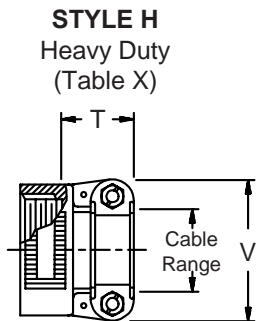
**CONNECTOR  
 DESIGNATORS  
 A-F-H-L-S  
 ROTATABLE  
 COUPLING**

**TYPE D INDIVIDUAL  
 OR OVERALL  
 SHIELD TERMINATION**



**-445** Now Available with the "NESTOR"

**Glenair's Non-Detent, Spring-Loaded, Self-Locking Coupling.**  
 Add "-445" to Specify This AS85049 Style "N" Coupling Interface.



# EMI/RFI Non-Environmental Backshell with Strain Relief

## Type D - Rotatable Coupling - Standard Profile



TABLE III: ELBOW DIMENSIONS

Shell Size Conn. Desig. A-F-L-S H		E Max	F Max	G Max	H Max
08	09	.639 (16.2)	.940 (23.9)	.750 (19.1)	1.050 (26.7)
10	11	.664 (16.9)	.970 (24.6)	.810 (20.6)	1.110 (28.2)
12	13	.688 (17.5)	.990 (25.1)	.870 (22.1)	1.170 (29.7)
14	15	.705 (17.9)	1.020 (25.9)	.920 (23.4)	1.240 (31.5)
16	17	.732 (18.6)	1.040 (26.4)	.980 (24.9)	1.300 (33.0)
18	19	.748 (19.0)	1.050 (26.7)	1.020 (25.9)	1.320 (33.5)
20	21	.773 (19.6)	1.070 (27.2)	1.080 (27.4)	1.380 (35.1)
22	23	.800 (20.3)	1.110 (28.2)	1.140 (29.0)	1.460 (37.1)
24	25	.823 (20.9)	1.140 (29.0)	1.200 (30.5)	1.530 (38.9)
28		1.041 (26.4)	1.310 (33.3)	1.480 (37.6)	1.770 (45.0)
32		1.092 (27.7)	1.350 (34.3)	1.610 (40.9)	1.860 (47.2)
36		1.138 (28.9)	1.400 (35.6)	1.720 (43.7)	1.970 (50.0)

See inside back cover  
fold-out or pages 13 and  
14 for unabridged  
Tables I and II.

TABLE II: STANDARD FINISHES

GLENAIR	
SYMBOL	FINISH
B	Cadmium Plate, Olive Drab
M	Electroless Nickel
NF	Cadmium Plate, Olive Drab Over Electroless Nickel
See Inside Back Cover for Additional Finish Options	

TABLE X: CABLE ENTRY

Dash No.	T Max	V Max	Cable Range	
			Min	Max
04	.780 (19.8)	.957 (24.3)	.125 (3.2)	.312 (7.9)
06	.780 (19.8)	1.145 (29.1)	.250 (6.4)	.437 (11.1)
08	.780 (19.8)	1.332 (33.8)	.312 (7.9)	.562 (14.3)
10	.780 (19.8)	1.332 (33.8)	.350 (8.9)	.625 (15.9)
12	.811 (20.6)	1.551 (39.4)	.500 (12.7)	.750 (19.1)
16	.905 (23.0)	1.770 (45.0)	.625 (15.9)	.937 (23.8)
20	1.092 (27.7)	2.113 (53.7)	.875 (22.2)	1.250 (31.8)
24	1.124 (28.5)	2.363 (60.0)	1.000 (25.4)	1.375 (34.9)
28	1.399 (35.5)	2.770 (70.4)	1.250 (31.8)	1.625 (41.3)
32	1.399 (35.5)	3.020 (76.7)	1.437 (36.5)	1.875 (47.6)

1. When maximum cable entry (page 21) is exceeded, Style 2 will be supplied. Dimensions E, F, G and H will not apply. Please consult factory.
2. Metric dimensions (mm) are indicated in parentheses.
3. Cable range is defined as the accommodations range for the wire bundle or cable. Dimensions shown are not intended for inspection criteria.

TABLE XI: CABLE ENTRY

Dash No.	W Max	X Max	Y Max	Z Max	Cable Range	
					Min **	Max
03*	.437 (11.1)	.760 (19.3)	.843 (21.4)	.630 (16.0)	.156 (4.0)	.250 (6.4)
04*	.437 (11.1)	.760 (19.3)	.906 (23.0)	.755 (19.2)	.188 (4.8)	.312 (7.9)
06*	.500 (12.7)	.760 (19.3)	1.093 (27.8)	.942 (23.9)	.281 (7.1)	.438 (11.1)
08	.563 (14.3)	.760 (19.3)	1.187 (30.1)	1.067 (27.1)	.344 (8.7)	.562 (14.3)
10	.563 (14.3)	.760 (19.3)	1.281 (32.5)	1.192 (30.3)	.375 (9.5)	.625 (15.9)
12	.563 (14.3)	.760 (19.3)	1.500 (38.1)	1.380 (35.1)	.438 (11.1)	.750 (19.1)
16	.656 (16.7)	1.073 (27.3)	1.719 (43.7)	1.535 (39.0)	.562 (14.3)	.938 (23.8)
20	.656 (16.7)	1.323 (33.6)	2.062 (52.4)	1.848 (46.9)	.750 (19.1)	1.250 (31.8)
24	.656 (16.7)	1.323 (33.6)	2.312 (58.7)	2.255 (57.3)	.781 (19.8)	1.375 (34.9)
28	1.188 (30.2)	1.572 (39.9)	2.719 (69.1)	2.505 (63.6)	.969 (24.6)	1.625 (41.3)
32*	1.187 (30.1)	1.572 (39.9)	2.969 (75.4)	2.755 (70.0)	1.125 (28.6)	1.875 (47.6)
40*	1.125 (28.6)	1.572 (39.9)	3.531 (89.7)	3.255 (82.7)	1.469 (37.3)	2.375 (60.3)

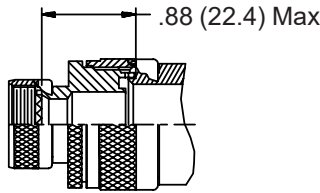
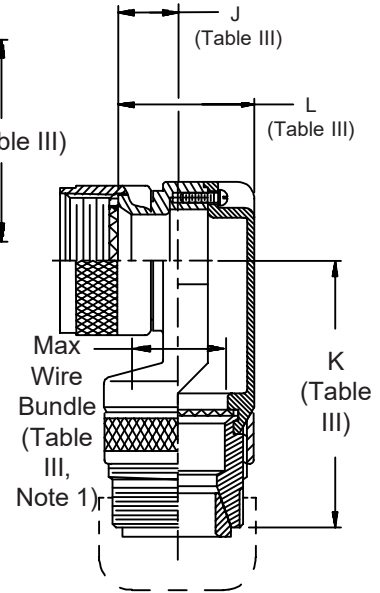
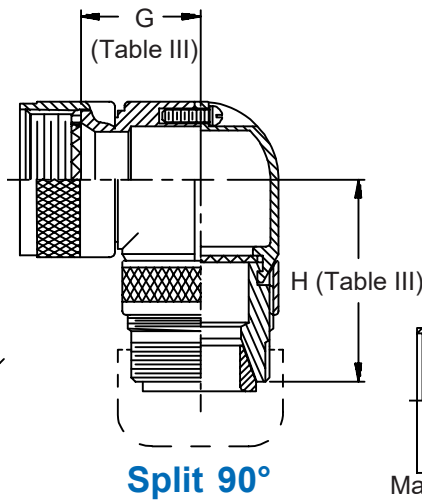
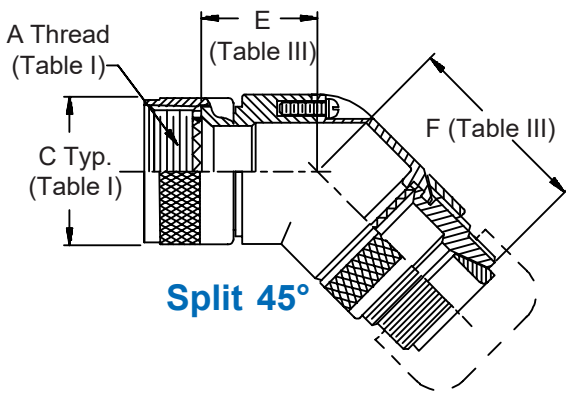
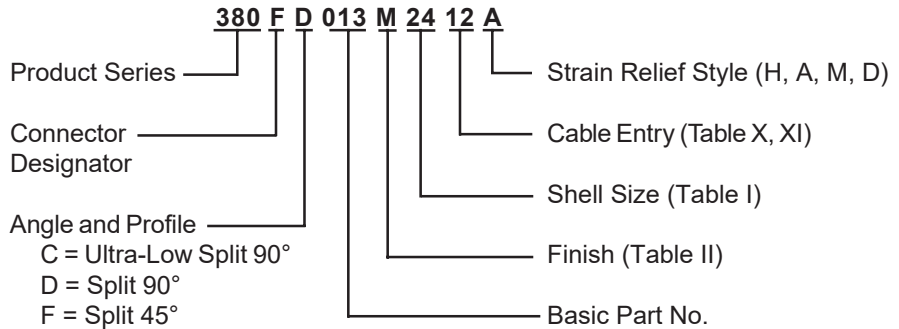
\* Not available in Style M clamp.

\*\* Not Applicable Style D

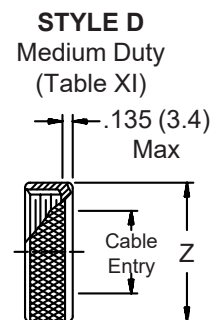
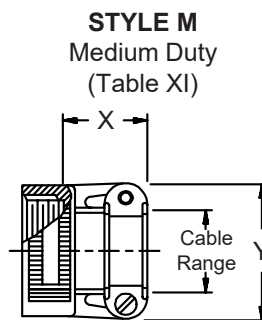
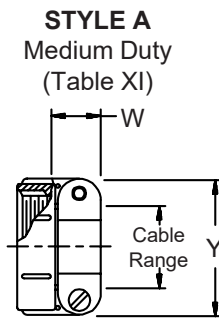
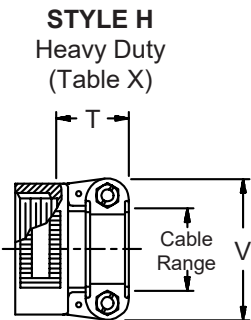


**CONNECTOR  
 DESIGNATORS  
 A-F-H-L-S  
 ROTATABLE  
 COUPLING**

**TYPE D INDIVIDUAL  
 OR OVERALL  
 SHIELD TERMINATION**



**STYLE 2**  
 (See Note 1)



**380-013**  
**EMI/RFI Non-Environmental Backshell**  
**with Strain Relief**  
**Type D - Rotatable Coupling - Split Shell**



See inside back cover fold-out or pages 13 and 14 for unabridged Tables I and II.

**TABLE III: DIMENSIONS**

Shell Size	E Max	F Max	G Max	H Max	J Ref	K Max	L Max	Function C Max Wire Bundle
08/09	.440 (11.2)	1.730 (43.9)	.680 (17.3)	1.670 (42.4)	.340 (8.6)	1.920 (48.8)	.681 (17.3)	.250 (6.4)
10/11	.500 (12.7)	1.785 (45.3)	.750 (19.1)	1.725 (43.8)	.270 (6.9)	2.080 (52.8)	.731 (18.6)	.375 (9.5)
12/13	.560 (14.2)	1.855 (47.1)	.810 (20.6)	1.795 (45.6)	.270 (6.9)	2.080 (52.8)	.731 (18.6)	.375 (9.5)
14/15	.620 (15.7)	1.887 (47.9)	.870 (22.1)	1.827 (46.4)	.280 (7.1)	2.150 (54.6)	.831 (21.1)	.500 (12.7)
16/17	.680 (17.3)	1.987 (50.5)	.930 (23.6)	1.927 (48.9)	.420 (10.7)	2.200 (55.9)	.981 (24.9)	.625 (15.9)
18/19	.750 (19.1)	2.045 (51.9)	1.000 (25.4)	1.985 (50.4)	.640 (16.3)	2.230 (56.6)	1.181 (30.0)	.625 (15.9)
20/21	.820 (20.8)	2.106 (53.5)	1.060 (26.9)	2.046 (52.0)	.640 (16.3)	2.230 (56.6)	1.181 (30.0)	.625 (15.9)
22/23	.880 (22.4)	2.167 (55.0)	1.120 (28.4)	2.107 (53.5)	.540 (13.7)	2.380 (60.5)	1.181 (30.0)	.750 (19.1)
24/25	.940 (23.9)	2.225 (56.5)	1.180 (30.0)	2.165 (55.0)	.540 (13.7)	2.380 (60.5)	1.181 (30.0)	.750 (19.1)

**TABLE X: CABLE ENTRY**

Dash No.	T Max	V Max	Cable Range	
			Min	Max
04	.780 (19.8)	.957 (24.3)	.125 (3.2)	.312 (7.9)
06	.780 (19.8)	1.145 (29.1)	.250 (6.4)	.437 (11.1)
08	.780 (19.8)	1.332 (33.8)	.312 (7.9)	.562 (14.3)
10	.780 (19.8)	1.332 (33.8)	.350 (8.9)	.625 (15.9)
12	.811 (20.6)	1.551 (39.4)	.500 (12.7)	.750 (19.1)
16	.905 (23.0)	1.770 (45.0)	.625 (15.9)	.937 (23.8)
20	1.092 (27.7)	2.113 (53.7)	.875 (22.2)	1.250 (31.8)
24	1.124 (28.5)	2.363 (60.0)	1.000 (25.4)	1.375 (34.9)
28	1.399 (35.5)	2.770 (70.4)	1.250 (31.8)	1.625 (41.3)
32	1.399 (35.5)	3.020 (76.7)	1.437 (36.5)	1.875 (47.6)

**TABLE II: STANDARD FINISHES**

SYMBOL	FINISH
B	Cadmium Plate, Olive Drab
M	Electroless Nickel
NF	Cadmium Plate, Olive Drab Over Electroless Nickel

See Inside Back Cover for Additional Finish Options

- When maximum cable entry (page 21) is exceeded, Style 2 will be supplied (not available in Function C). Dimensions E, F, G and H will not apply. Please consult factory.
- Metric dimensions (mm) are indicated in parentheses.

**TABLE XI: CABLE ENTRY**

Dash No.	W Max	X Max	Y Max	Z Max	Cable Range	
					Min **	Max
03*	.437 (11.1)	.760 (19.3)	.843 (21.4)	.630 (16.0)	.156 (4.0)	.250 (6.4)
04*	.437 (11.1)	.760 (19.3)	.906 (23.0)	.755 (19.2)	.188 (4.8)	.312 (7.9)
06*	.500 (12.7)	.760 (19.3)	1.093 (27.8)	.942 (23.9)	.281 (7.1)	.438 (11.1)
08	.563 (14.3)	.760 (19.3)	1.187 (30.1)	1.067 (27.1)	.344 (8.7)	.562 (14.3)
10	.563 (14.3)	.760 (19.3)	1.281 (32.5)	1.192 (30.3)	.375 (9.5)	.625 (15.9)
12	.563 (14.3)	.760 (19.3)	1.500 (38.1)	1.380 (35.1)	.438 (11.1)	.750 (19.1)
16	.656 (16.7)	1.073 (27.3)	1.719 (43.7)	1.535 (39.0)	.562 (14.3)	.938 (23.8)
20	.656 (16.7)	1.323 (33.6)	2.062 (52.4)	1.848 (46.9)	.750 (19.1)	1.250 (31.8)
24	.656 (16.7)	1.323 (33.6)	2.312 (58.7)	2.255 (57.3)	.781 (19.8)	1.375 (34.9)
28	1.188 (30.2)	1.572 (39.9)	2.719 (69.1)	2.505 (63.6)	.969 (24.6)	1.625 (41.3)
32*	1.187 (30.1)	1.572 (39.9)	2.969 (75.4)	2.755 (70.0)	1.125 (28.6)	1.875 (47.6)
40*	1.125 (28.6)	1.572 (39.9)	3.531 (89.7)	3.255 (82.7)	1.469 (37.3)	2.375 (60.3)

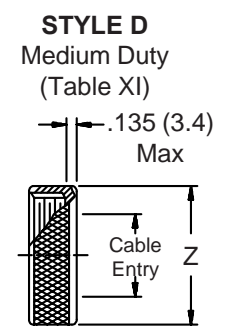
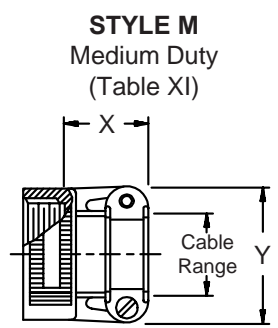
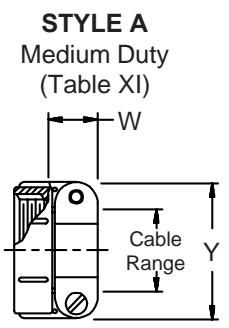
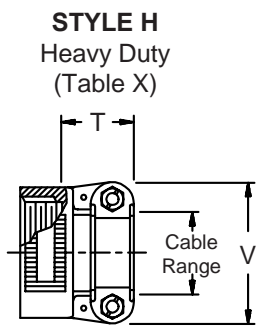
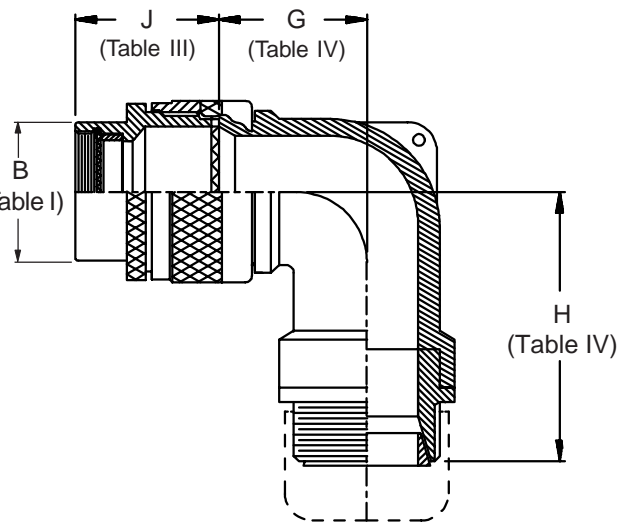
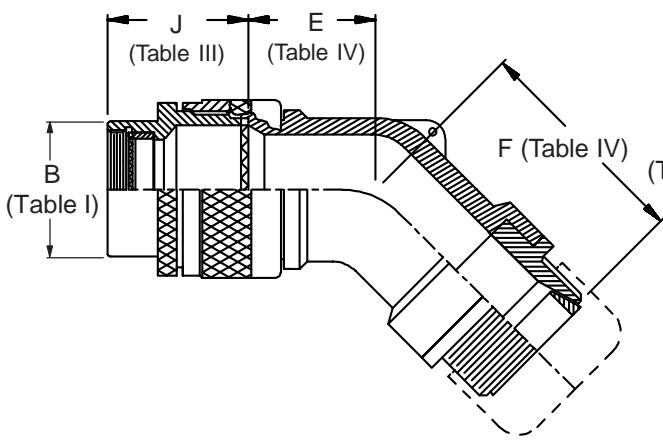
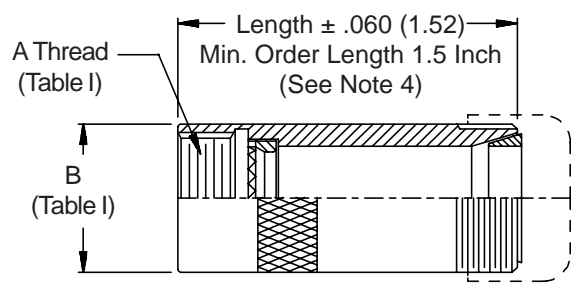
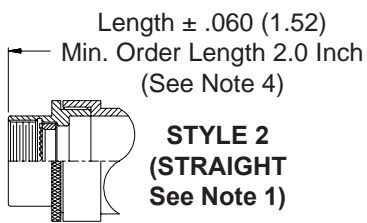
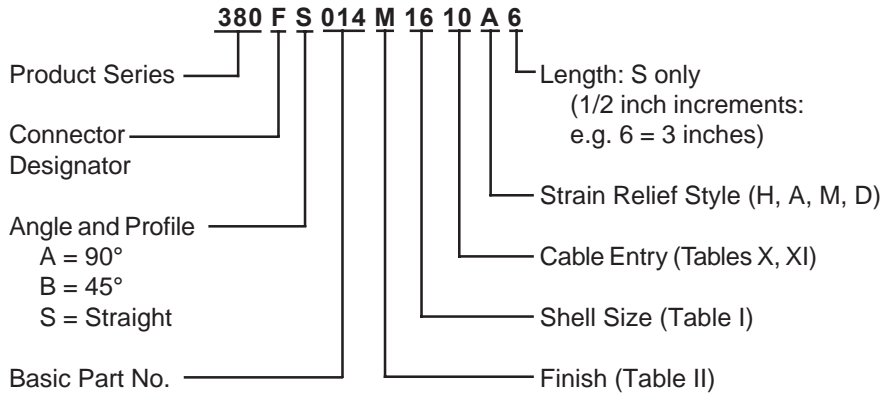
\* Not available in Style M clamp.      \*\* Not Applicable Style D

- Cable range is defined as the accommodations range for the wire bundle or cable. Dimensions shown are not intended for inspection criteria.
- Angular function "C", low-profile split elbow, not available with "S" connector designator.

**CONNECTOR DESIGNATORS**  
**A-B\*-C-D-E-F**  
**G-H-J-K-L-S**

\* Conn. Desig. B See Note 5  
**DIRECT COUPLING**

**TYPE D INDIVIDUAL OR OVERALL SHIELD TERMINATION**





See inside back cover fold-out or pages 13 and 14 for unabridged Tables I and II.

TABLE III: FRONT ADAPTER			
Shell Size	J Max - Conn. Designator		
	A-E-F		C
	J-H-L-S	D-B-G-K	
08/09	1.180 (30.0)	1.440 (36.6)	
10/11	1.180 (30.0)	1.440 (36.6)	
12/13	1.180 (30.0)	1.440 (36.6)	1.735 (44.1)
14/15	1.180 (30.0)	1.440 (36.6)	1.915 (48.6)
16/17	1.380 (35.0)	1.560 (39.6)	1.915 (48.6)
18/19	1.380 (35.0)	1.560 (39.6)	1.915 (48.6)
20/21	1.380 (35.0)	1.560 (39.6)	1.915 (48.6)
22/23	1.380 (35.0)	1.560 (39.6)	1.915 (48.6)
24/25	1.380 (35.0)	1.560 (39.6)	1.915 (48.6)
28/29	1.610 (40.9)	1.560 (39.6)	1.915 (48.6)
32/33	1.610 (40.9)	1.750 (44.5)	1.915 (48.6)
36	1.610 (40.9)	1.750 (44.5)	1.915 (48.6)
40	1.610 (40.9)	2.190 (55.6)	1.915 (48.6)

TABLE IV: ELBOW DIMENSIONS						
Elbow Size	E Max	F Max	G Max	H Max		
03	.630 (16.0)	1.730 (43.9)	.636 (16.2)	1.680 (42.7)		
04	.630 (16.0)	1.730 (43.9)	.636 (16.2)	1.680 (42.7)		
06	.630 (16.0)	1.730 (43.9)	.710 (18.0)	1.800 (45.7)		
08	.692 (17.6)	1.790 (45.5)	.731 (18.6)	1.820 (46.2)		
10	.755 (19.2)	1.880 (47.8)	.825 (21.0)	1.890 (48.0)		
12	.848 (21.5)	1.990 (50.5)	.988 (25.1)	1.980 (50.3)		
16	1.036 (26.3)	2.180 (55.4)	1.087 (27.6)	2.150 (54.6)		
20	1.130 (28.7)	2.330 (59.2)	1.325 (33.7)	2.260 (57.4)		
24	1.255 (31.9)	2.380 (60.5)	1.337 (34.0)	2.430 (61.7)		
28	1.317 (33.5)	2.480 (63.0)	1.827 (46.4)	2.680 (68.1)		
32	1.348 (34.2)	2.570 (65.3)	2.027 (51.5)	2.680 (68.1)		

TABLE II: STANDARD FINISHES	
GLENAIR SYMBOL	FINISH
B	Cadmium Plate, Olive Drab
M	Electroless Nickel
NF	Cadmium Plate, Olive Drab Over Electroless Nickel

See Inside Back Cover for Additional Finish Options

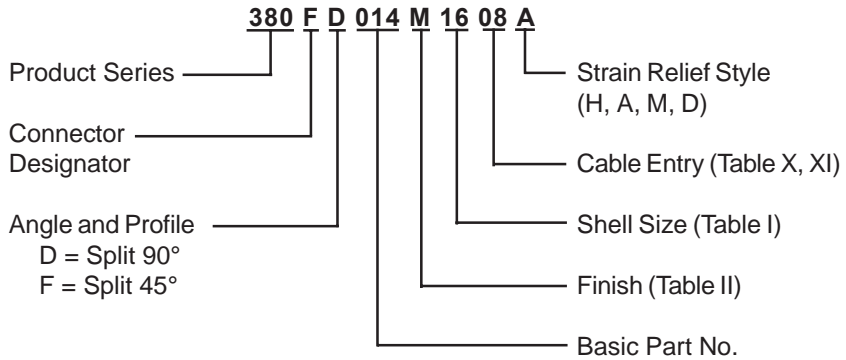
TABLE X: CABLE ENTRY					
Dash No.	T Max	V Max	Cable Range		
			Min		Max
04	.780 (19.8)	.957 (24.3)	.125 (3.2)	.312 (7.9)	
06	.780 (19.8)	1.145 (29.1)	.250 (6.4)	.437 (11.1)	
08	.780 (19.8)	1.332 (33.8)	.312 (7.9)	.562 (14.3)	
10	.780 (19.8)	1.332 (33.8)	.350 (8.9)	.625 (15.9)	
12	.811 (20.6)	1.551 (39.4)	.500 (12.7)	.750 (19.1)	
16	.905 (23.0)	1.770 (45.0)	.625 (15.9)	.937 (23.8)	
20	1.092 (27.7)	2.113 (53.7)	.875 (22.2)	1.250 (31.8)	
24	1.124 (28.5)	2.363 (60.0)	1.000 (25.4)	1.375 (34.9)	
28	1.399 (35.5)	2.770 (70.4)	1.250 (31.8)	1.625 (41.3)	
32	1.399 (35.5)	3.020 (76.7)	1.437 (36.5)	1.875 (47.6)	

- When maximum cable entry (page 22) is exceeded, Style 2 will be supplied. (Function S only).
- Metric dimensions (mm) are indicated in parentheses.
- Cable range is defined as the accommodations range for the wire bundle or cable. Dimensions shown are not intended for inspection criteria.
- Consult factory for shorter lengths on straight backshells.
- When using Connector Designator B refer to pages 18 and 19 for part number development.

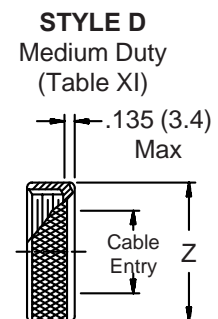
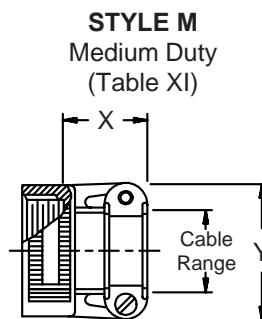
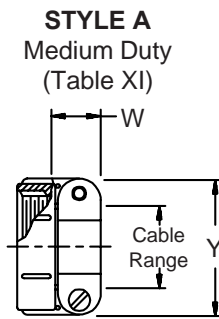
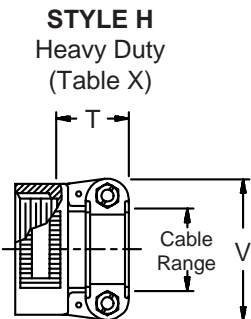
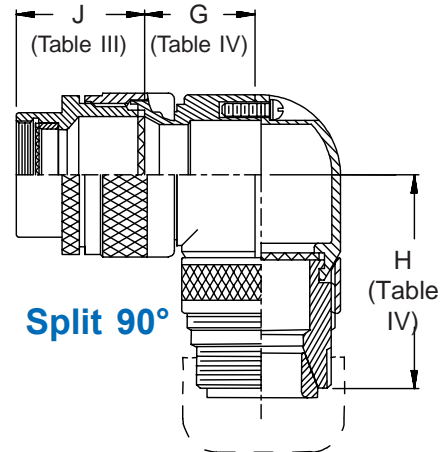
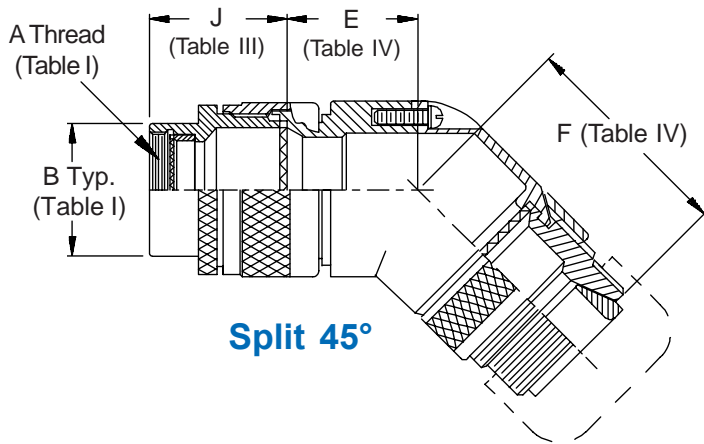
TABLE XI: CABLE ENTRY							
Dash No.	W Max	X Max	Y Max	Z Max	Cable Range		
					Min**		Max
03*	.437 (11.1)	.760 (19.3)	.843 (21.4)	.630 (16.0)	.156 (4.0)	.250 (6.4)	
04*	.437 (11.1)	.760 (19.3)	.906 (23.0)	.755 (19.2)	.188 (4.8)	.312 (7.9)	
06*	.500 (12.7)	.760 (19.3)	1.093 (27.8)	.942 (23.9)	.281 (7.1)	.438 (11.1)	
08	.563 (14.3)	.760 (19.3)	1.187 (30.1)	1.067 (27.1)	.344 (8.7)	.562 (14.3)	
10	.563 (14.3)	.760 (19.3)	1.281 (32.5)	1.192 (30.3)	.375 (9.5)	.625 (15.9)	
12	.563 (14.3)	.760 (19.3)	1.500 (38.1)	1.380 (35.1)	.438 (11.1)	.750 (19.1)	
16	.656 (16.7)	1.073 (27.3)	1.719 (43.7)	1.535 (39.0)	.562 (14.3)	.938 (23.8)	
20	.656 (16.7)	1.323 (33.6)	2.062 (52.4)	1.848 (46.9)	.750 (19.1)	1.250 (31.8)	
24	.656 (16.7)	1.323 (33.6)	2.312 (58.7)	2.255 (57.3)	.781 (19.8)	1.375 (34.9)	
28	1.188 (30.2)	1.572 (39.9)	2.719 (69.1)	2.505 (63.6)	.969 (24.6)	1.625 (41.3)	
32*	1.187 (30.1)	1.572 (39.9)	2.969 (75.4)	2.755 (70.0)	1.125 (28.6)	1.875 (47.6)	
40*	1.125 (28.6)	1.572 (39.9)	3.531 (89.7)	3.255 (82.7)	1.469 (37.3)	2.375 (60.3)	

\* Not available in Style M clamp.      \*\* Not Applicable Style D

**CONNECTOR DESIGNATORS**  
**A-B\*-C-D-E-F**  
**G-H-J-K-L-S**  
 \* Conn. Desig. B See Note 3  
**DIRECT COUPLING**



**TYPE D INDIVIDUAL OR OVERALL SHIELD TERMINATION**



**380-014**  
**EMI/RFI Non-Environmental Backshell**  
with Strain Relief  
Type D - Direct Coupling - Split Shell



See inside back cover fold-out or pages 13 and 14 for unabridged Tables I and II.

**TABLE III: FRONT ADAPTER**

Shell Size	J Max - Conn. Designator		
	A-E-F		C
	J-H-L-S	D-B-G-K	
08/09	1.180 (30.0)	1.440 (36.6)	
10/11	1.180 (30.0)	1.440 (36.6)	
12/13	1.180 (30.0)	1.440 (36.6)	1.735 (44.1)
14/15	1.180 (30.0)	1.440 (36.6)	1.915 (48.6)
16/17	1.380 (35.0)	1.560 (39.6)	1.915 (48.6)
18/19	1.380 (35.0)	1.560 (39.6)	1.915 (48.6)
20/21	1.380 (35.0)	1.560 (39.6)	1.915 (48.6)
22/23	1.380 (35.0)	1.560 (39.6)	1.915 (48.6)
24/25	1.380 (35.0)	1.560 (39.6)	1.915 (48.6)
28/29	1.610 (40.9)	1.560 (39.6)	1.915 (48.6)
32/33	1.610 (40.9)	1.750 (44.5)	1.915 (48.6)
36	1.610 (40.9)	1.750 (44.5)	1.915 (48.6)
40	1.610 (40.9)	2.190 (55.6)	1.915 (48.6)

**TABLE IV: ELBOW DIMENSIONS**

Elbow Size	E Max	F Max	G Max	H Max
03	.440 (11.2)	1.730 (43.9)	.680 (17.3)	1.670 (42.4)
04	.500 (12.7)	1.785 (45.3)	.750 (19.1)	1.725 (43.8)
06	.560 (14.2)	1.855 (47.1)	.810 (20.6)	1.795 (45.6)
08	.620 (15.7)	1.887 (47.9)	.870 (22.1)	1.827 (46.4)
10	.680 (17.3)	1.987 (50.5)	.930 (23.6)	1.927 (48.9)
12	.750 (19.1)	2.045 (51.9)	1.000 (25.4)	1.985 (50.4)
16	.820 (20.8)	2.106 (53.5)	1.060 (26.9)	2.046 (52.0)
20	.940 (23.9)	2.225 (56.5)	1.180 (30.0)	2.165 (55.0)
24	1.300 (33.0)	2.386 (60.6)	1.300 (33.0)	2.326 (59.1)

**TABLE II: STANDARD FINISHES**

GLENAIR SYMBOL	FINISH
B	Cadmium Plate, Olive Drab
M	Electroless Nickel
NF	Cadmium Plate, Olive Drab Over Electroless Nickel

See Inside Back Cover for Additional Finish Options

**TABLE X: CABLE ENTRY**

Dash No.	T Max	V Max	Cable Range			
			Min		Max	
			04	.780 (19.8)	.957 (24.3)	.125 (3.2)
06	.780 (19.8)	1.145 (29.1)	.250 (6.4)	.437 (11.1)		
08	.780 (19.8)	1.332 (33.8)	.312 (7.9)	.562 (14.3)		
10	.780 (19.8)	1.332 (33.8)	.350 (8.9)	.625 (15.9)		
12	.811 (20.6)	1.551 (39.4)	.500 (12.7)	.750 (19.1)		
16	.905 (23.0)	1.770 (45.0)	.625 (15.9)	.937 (23.8)		
20	1.092 (27.7)	2.113 (53.7)	.875 (22.2)	1.250 (31.8)		
24	1.124 (28.5)	2.363 (60.0)	1.000 (25.4)	1.375 (34.9)		
28	1.399 (35.5)	2.770 (70.4)	1.250 (31.8)	1.625 (41.3)		
32	1.399 (35.5)	3.020 (76.7)	1.437 (36.5)	1.875 (47.6)		

1. Metric dimensions (mm) are indicated in parentheses.
2. Cable range is defined as the accommodations range for the wire bundle or cable. Dimensions shown are not intended for inspection criteria.
3. When using Connector Designator B refer to pages 18 and 19 for part number development.

**TABLE XI: CABLE ENTRY**

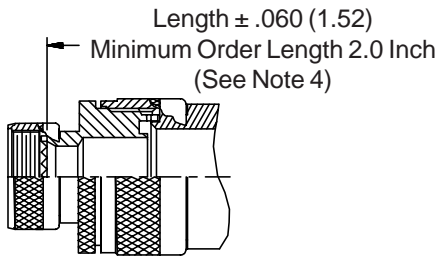
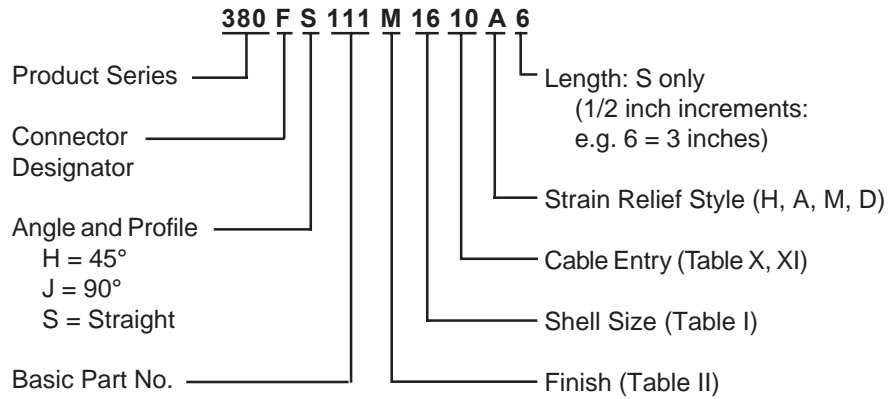
Dash No.	W Max	X Max	Y Max	Z Max	Cable Range	
					Min **	
					03*	.437 (11.1)
04*	.437 (11.1)	.760 (19.3)	.906 (23.0)	.755 (19.2)	.188 (4.8)	.312 (7.9)
06*	.500 (12.7)	.760 (19.3)	1.093 (27.8)	.942 (23.9)	.281 (7.1)	.438 (11.1)
08	.563 (14.3)	.760 (19.3)	1.187 (30.1)	1.067 (27.1)	.344 (8.7)	.562 (14.3)
10	.563 (14.3)	.760 (19.3)	1.281 (32.5)	1.192 (30.3)	.375 (9.5)	.625 (15.9)
12	.563 (14.3)	.760 (19.3)	1.500 (38.1)	1.380 (35.1)	.438 (11.1)	.750 (19.1)
16	.656 (16.7)	1.073 (27.3)	1.719 (43.7)	1.535 (39.0)	.562 (14.3)	.938 (23.8)
20	.656 (16.7)	1.323 (33.6)	2.062 (52.4)	1.848 (46.9)	.750 (19.1)	1.250 (31.8)
24	.656 (16.7)	1.323 (33.6)	2.312 (58.7)	2.255 (57.3)	.781 (19.8)	1.375 (34.9)
28	1.188 (30.2)	1.572 (39.9)	2.719 (69.1)	2.505 (63.6)	.969 (24.6)	1.625 (41.3)
32*	1.187 (30.1)	1.572 (39.9)	2.969 (75.4)	2.755 (70.0)	1.125 (28.6)	1.875 (47.6)
40*	1.125 (28.6)	1.572 (39.9)	3.531 (89.7)	3.255 (82.7)	1.469 (37.3)	2.375 (60.3)

\* Not available in Style M clamp.      \*\* Not Applicable Style D

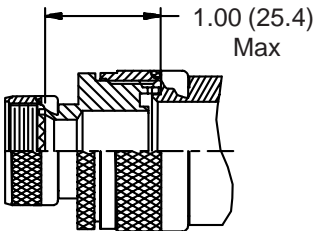


**CONNECTOR  
 DESIGNATORS  
 A-F-H-L-S  
 SELF-LOCKING  
 ROTATABLE  
 COUPLING**

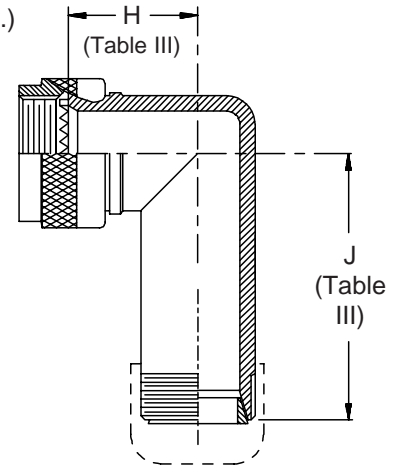
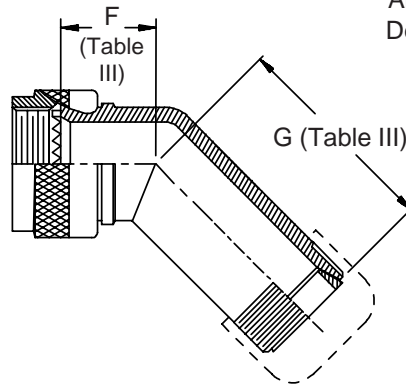
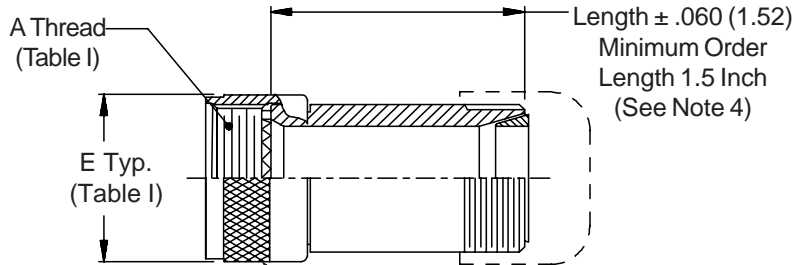
**TYPE D INDIVIDUAL  
 OR OVERALL  
 SHIELD TERMINATION**



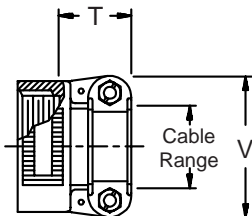
**STYLE 2  
 (STRAIGHT  
 See Note 1)**



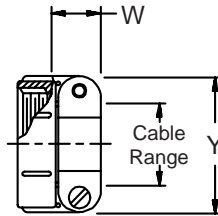
**STYLE 2  
 (45° & 90°  
 See Note 1)**



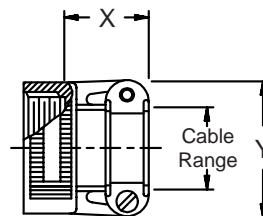
**STYLE H  
 Heavy Duty  
 (Table X)**



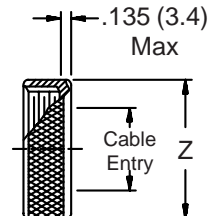
**STYLE A  
 Medium Duty  
 (Table XI)**



**STYLE M  
 Medium Duty  
 (Table XI)**



**STYLE D  
 Medium Duty  
 (Table XI)**



**380-111**  
**EMI/RFI Non-Environmental Backshell**  
 with Strain Relief  
 Type D - Self-Locking - Rotatable Coupling - Standard Profile



**TABLE III: ELBOW DIMENSIONS**

Shell Size Conn. Desig. A-F-L-S H		F Max	G Max	H Max	J Max
08	09	.795 (20.2)	.940 (23.9)	.906 (23.0)	1.050 (26.7)
10	11	.795 (20.2)	.970 (24.6)	.966 (24.5)	1.110 (28.2)
12	13	.820 (20.8)	.990 (25.1)	1.026 (26.1)	1.170 (29.7)
14	15	.844 (21.4)	1.020 (25.9)	1.076 (27.3)	1.240 (31.5)
16	17	.888 (22.6)	1.040 (26.4)	1.136 (28.9)	1.300 (33.0)
18	19	.904 (23.0)	1.050 (26.7)	1.176 (29.9)	1.320 (33.5)
20	21	.929 (23.6)	1.070 (27.2)	1.236 (31.4)	1.380 (35.1)
22	23	.956 (24.3)	1.110 (28.2)	1.296 (32.9)	1.460 (37.1)
24	25	.979 (24.9)	1.140 (29.0)	1.356 (34.4)	1.530 (38.9)
28		1.197 (30.4)	1.310 (33.3)	1.636 (41.6)	1.770 (45.0)
32		1.248 (31.7)	1.350 (34.3)	1.766 (44.9)	1.860 (47.2)
36		1.294 (32.9)	1.400 (35.6)	1.876 (47.7)	1.970 (50.0)

See inside  
 back cover fold-out or  
 pages 13 and 14 for  
 unabridged Tables I and II.

**TABLE II: STANDARD FINISHES**

GLENAIR	
SYMBOL	FINISH
B	Cadmium Plate, Olive Drab
M	Electroless Nickel
NF	Cadmium Plate, Olive Drab Over Electroless Nickel
See Inside Back Cover for Additional Finish Options	

**TABLE X: CABLE ENTRY**

Dash No.	T Max	V Max	Cable Range	
			Min	Max
04	.780 (19.8)	.957 (24.3)	.125 (3.2)	.312 (7.9)
06	.780 (19.8)	1.145 (29.1)	.250 (6.4)	.437 (11.1)
08	.780 (19.8)	1.332 (33.8)	.312 (7.9)	.562 (14.3)
10	.780 (19.8)	1.332 (33.8)	.350 (8.9)	.625 (15.9)
12	.811 (20.6)	1.551 (39.4)	.500 (12.7)	.750 (19.1)
16	.905 (23.0)	1.770 (45.0)	.625 (15.9)	.937 (23.8)
20	1.092 (27.7)	2.113 (53.7)	.875 (22.2)	1.250 (31.8)
24	1.124 (28.5)	2.363 (60.0)	1.000 (25.4)	1.375 (34.9)
28	1.399 (35.5)	2.770 (70.4)	1.250 (31.8)	1.625 (41.3)
32	1.399 (35.5)	3.020 (76.7)	1.437 (36.5)	1.875 (47.6)

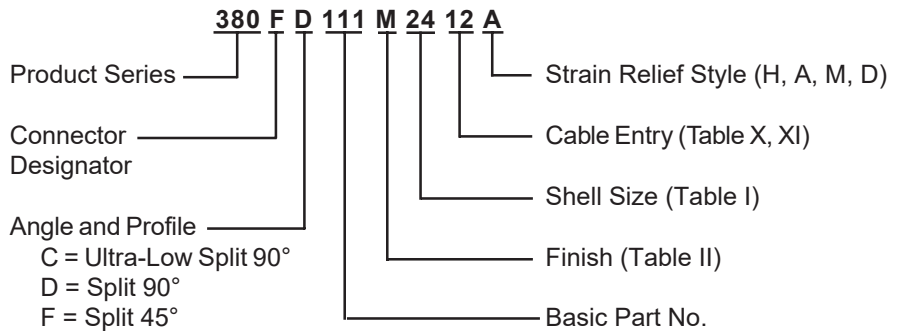
- When maximum cable entry (page 21) is exceeded, Style 2 will be supplied. Dimensions F, G, H and J will not apply. Please consult factory.
- Metric dimensions (mm) are indicated in parentheses.
- Cable range is defined as the accommodations range for the wire bundle or cable. Dimensions shown are not intended for inspection criteria.
- Consult factory for shorter lengths on straight backshells.

**TABLE XI: CABLE ENTRY**

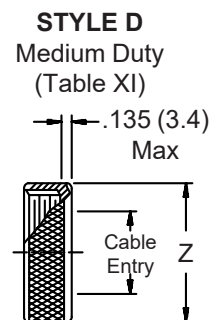
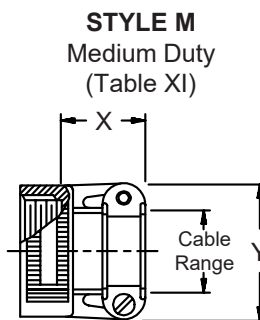
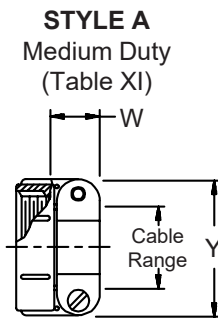
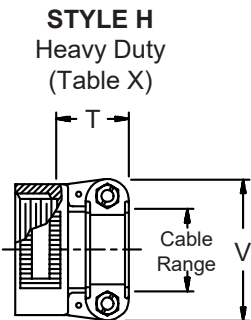
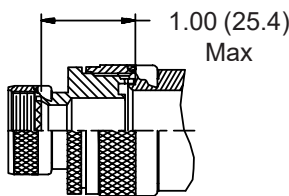
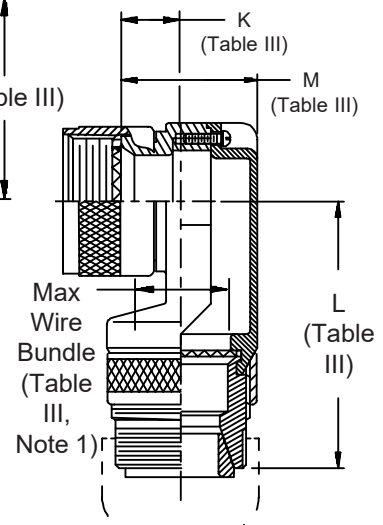
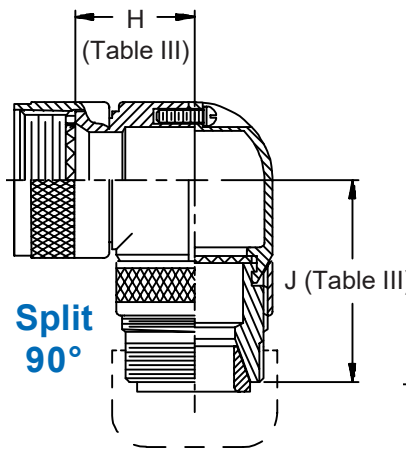
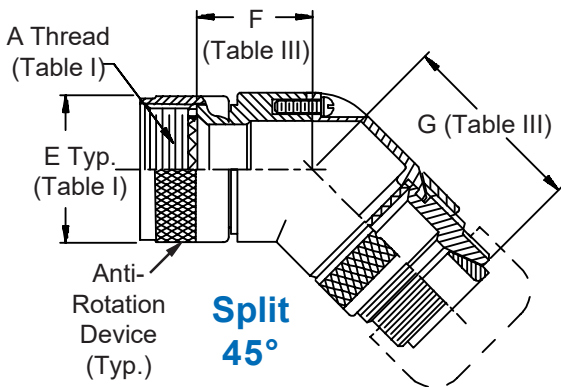
Dash No.	W Max	X Max	Y Max	Z Max	Cable Range	
					Min **	Max
03*	.437 (11.1)	.760 (19.3)	.843 (21.4)	.630 (16.0)	.156 (4.0)	.250 (6.4)
04*	.437 (11.1)	.760 (19.3)	.906 (23.0)	.755 (19.2)	.188 (4.8)	.312 (7.9)
06*	.500 (12.7)	.760 (19.3)	1.093 (27.8)	.942 (23.9)	.281 (7.1)	.438 (11.1)
08	.563 (14.3)	.760 (19.3)	1.187 (30.1)	1.067 (27.1)	.344 (8.7)	.562 (14.3)
10	.563 (14.3)	.760 (19.3)	1.281 (32.5)	1.192 (30.3)	.375 (9.5)	.625 (15.9)
12	.563 (14.3)	.760 (19.3)	1.500 (38.1)	1.380 (35.1)	.438 (11.1)	.750 (19.1)
16	.656 (16.7)	1.073 (27.3)	1.719 (43.7)	1.535 (39.0)	.562 (14.3)	.938 (23.8)
20	.656 (16.7)	1.323 (33.6)	2.062 (52.4)	1.848 (46.9)	.750 (19.1)	1.250 (31.8)
24	.656 (16.7)	1.323 (33.6)	2.312 (58.7)	2.255 (57.3)	.781 (19.8)	1.375 (34.9)
28	1.188 (30.2)	1.572 (39.9)	2.719 (69.1)	2.505 (63.6)	.969 (24.6)	1.625 (41.3)
32*	1.187 (30.1)	1.572 (39.9)	2.969 (75.4)	2.755 (70.0)	1.125 (28.6)	1.875 (47.6)
40*	1.125 (28.6)	1.572 (39.9)	3.531 (89.7)	3.255 (82.7)	1.469 (37.3)	2.375 (60.3)

\* Not available in Style M clamp.      \*\* Not Applicable Style D

**CONNECTOR  
 DESIGNATORS  
 A-F-H-L-S  
 SELF-LOCKING  
 ROTATABLE  
 COUPLING**



**TYPE D INDIVIDUAL  
 OR OVERALL  
 SHIELD TERMINATION**



**380-111**  
**EMI/RFI Non-Environmental Backshell**  
**with Strain Relief**  
**Type D - Self-Locking - Rotatable Coupling - Split Shell**



See inside back cover fold-out or pages 13 and 14 for unabridged Tables I and II.

Shell Size	F Max	G Max	H Max	J Ref	K Max	L Max	M Max	Function C Max Wire Bundle
08/09	.596 (15.1)	1.590 (40.4)	.836 (21.2)	1.530 (38.9)	.496 (12.6)	1.780 (45.2)	.837 (21.3)	.250 (6.4)
10/11	.656 (16.7)	1.650 (41.9)	.906 (23.0)	1.590 (40.4)	.426 (10.8)	1.940 (49.3)	.887 (22.5)	.375 (9.5)
12/13	.716 (18.2)	1.720 (43.7)	.966 (24.5)	1.660 (42.2)	.426 (10.8)	1.940 (49.3)	.887 (22.5)	.375 (9.5)
14/15	.776 (19.7)	1.750 (44.5)	1.026 (26.1)	1.690 (42.9)	.436 (11.1)	2.010 (51.1)	.987 (25.1)	.500 (12.7)
16/17	.836 (21.2)	1.850 (47.0)	1.086 (27.6)	1.790 (45.5)	.576 (14.6)	2.060 (52.3)	1.137 (28.9)	.625 (15.9)
18/19	.906 (23.0)	1.910 (48.5)	1.156 (29.4)	1.850 (47.0)	.796 (20.2)	2.090 (53.1)	1.337 (34.0)	.625 (15.9)
20/21	.976 (24.8)	1.970 (50.0)	1.216 (30.9)	1.910 (48.5)	.796 (20.2)	2.090 (53.1)	1.337 (34.0)	.625 (15.9)
22/23	1.036 (26.3)	2.030 (51.6)	1.276 (32.4)	1.970 (50.0)	.696 (17.7)	2.240 (56.9)	1.337 (34.0)	.750 (19.1)
24/25	1.096 (27.8)	2.090 (53.1)	1.336 (33.9)	2.030 (51.6)	.696 (17.7)	2.240 (56.9)	1.337 (34.0)	.750 (19.1)

Dash No.	T Max	V Max	Cable Range	
			Min	Max
04	.780 (19.8)	.957 (24.3)	.125 (3.2)	.312 (7.9)
06	.780 (19.8)	1.145 (29.1)	.250 (6.4)	.437 (11.1)
08	.780 (19.8)	1.332 (33.8)	.312 (7.9)	.562 (14.3)
10	.780 (19.8)	1.332 (33.8)	.350 (8.9)	.625 (15.9)
12	.811 (20.6)	1.551 (39.4)	.500 (12.7)	.750 (19.1)
16	.905 (23.0)	1.770 (45.0)	.625 (15.9)	.937 (23.8)
20	1.092 (27.7)	2.113 (53.7)	.875 (22.2)	1.250 (31.8)
24	1.124 (28.5)	2.363 (60.0)	1.000 (25.4)	1.375 (34.9)
28	1.399 (35.5)	2.770 (70.4)	1.250 (31.8)	1.625 (41.3)
32	1.399 (35.5)	3.020 (76.7)	1.437 (36.5)	1.875 (47.6)

GLENAIR SYMBOL	FINISH
B	Cadmium Plate, Olive Drab
M	Electroless Nickel
NF	Cadmium Plate, Olive Drab Over Electroless Nickel

See Inside Back Cover for Additional Finish Options

- When maximum cable entry (page 21) is exceeded, Style 2 will be supplied (not available in Function C). Dimensions F, G, H and J will not apply. Please consult factory.
- Metric dimensions (mm) are indicated in parentheses.
- Cable range is defined as the accommodations range for the wire bundle or cable. Dimensions shown are not intended for inspection criteria.
- Angular function "C", low-profile split elbow, not available with "S" connector designator.

Dash No.	W Max	X Max	Y Max	Z Max	Cable Range	
					Min**	Max
03*	.437 (11.1)	.760 (19.3)	.843 (21.4)	.630 (16.0)	.156 (4.0)	.250 (6.4)
04*	.437 (11.1)	.760 (19.3)	.906 (23.0)	.755 (19.2)	.188 (4.8)	.312 (7.9)
06*	.500 (12.7)	.760 (19.3)	1.093 (27.8)	.942 (23.9)	.281 (7.1)	.438 (11.1)
08	.563 (14.3)	.760 (19.3)	1.187 (30.1)	1.067 (27.1)	.344 (8.7)	.562 (14.3)
10	.563 (14.3)	.760 (19.3)	1.281 (32.5)	1.192 (30.3)	.375 (9.5)	.625 (15.9)
12	.563 (14.3)	.760 (19.3)	1.500 (38.1)	1.380 (35.1)	.438 (11.1)	.750 (19.1)
16	.656 (16.7)	1.073 (27.3)	1.719 (43.7)	1.535 (39.0)	.562 (14.3)	.938 (23.8)
20	.656 (16.7)	1.323 (33.6)	2.062 (52.4)	1.848 (46.9)	.750 (19.1)	1.250 (31.8)
24	.656 (16.7)	1.323 (33.6)	2.312 (58.7)	2.255 (57.3)	.781 (19.8)	1.375 (34.9)
28	1.188 (30.2)	1.572 (39.9)	2.719 (69.1)	2.505 (63.6)	.969 (24.6)	1.625 (41.3)
32*	1.187 (30.1)	1.572 (39.9)	2.969 (75.4)	2.755 (70.0)	1.125 (28.6)	1.875 (47.6)
40*	1.125 (28.6)	1.572 (39.9)	3.531 (89.7)	3.255 (82.7)	1.469 (37.3)	2.375 (60.3)

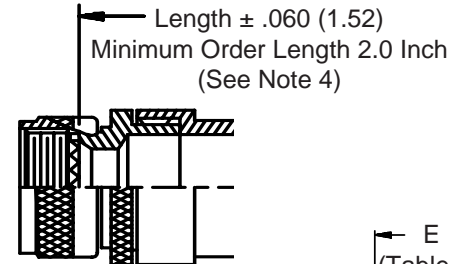
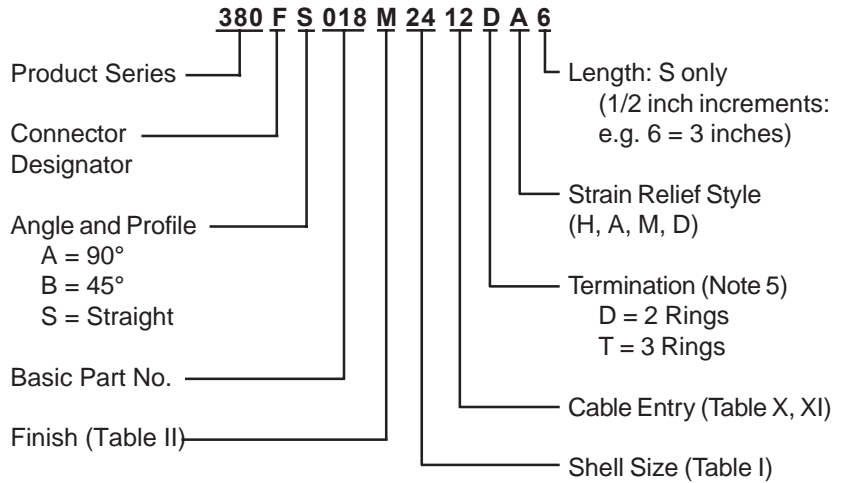
\* Not available in Style M clamp.      \*\* Not Applicable Style D

**380-018**  
**EMI/RFI Non-Environmental Backshell**  
**with Strain Relief**  
**Type E - Rotatable Coupling - Low Profile**

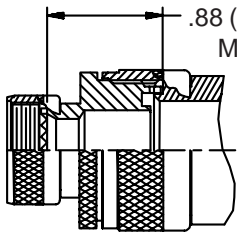
**CONNECTOR  
 DESIGNATORS  
 A-F-H-L-S**

**ROTATABLE  
 COUPLING**

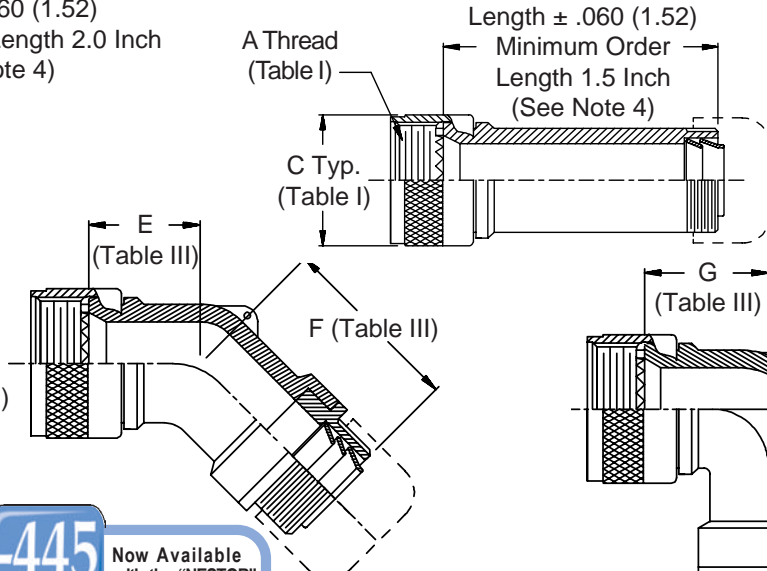
**TYPE E INDIVIDUAL  
 AND/OR OVERALL  
 SHIELD TERMINATION**



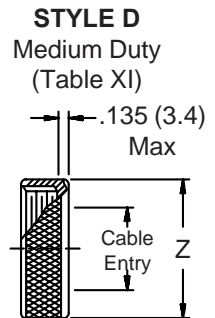
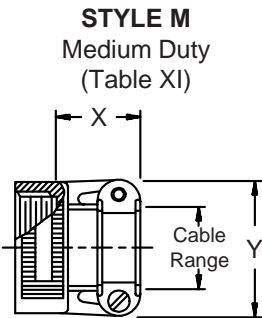
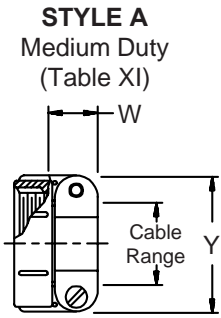
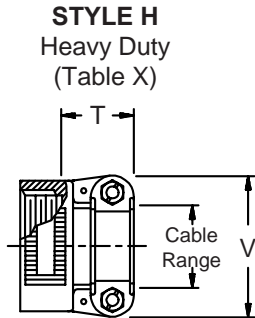
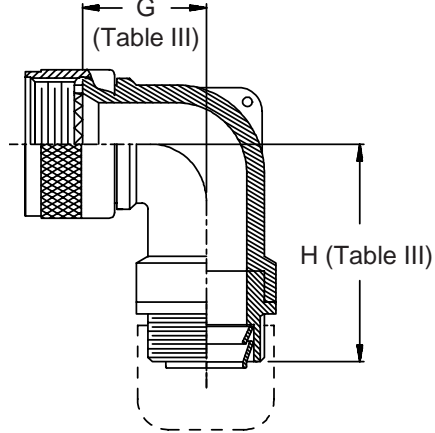
**STYLE 2  
 (STRAIGHT  
 See Note 1)**



**STYLE 2  
 (45° & 90°  
 See Note 1)**



**-445** Now Available with the "NESTOR"  
 Glenair's Non-Detent, Spring-Loaded, Self-Locking Coupling. Add "-445" to Specify This AS85049 Style "N" Coupling Interface.



**380-018**  
**EMI/RFI Non-Environmental Backshell**  
 with Strain Relief  
 Type E - Rotatable Coupling - Low Profile



See inside back cover fold-out or pages 13 and 14 for unabridged Tables I and II.

**TABLE III: ELBOW DIMENSIONS**

Shell Size		E Max	F Max	G Max	H Max
Conn. Desig. A-F-L-S	H				
08	09	.520 (13.2)	1.680 (47.2)	.477 (12.7)	1.730 (43.9)
10	11	.615 (15.6)	1.800 (45.7)	.540 (13.7)	1.730 (43.9)
12	13	.630 (16.0)	1.820 (46.2)	.602 (15.3)	1.790 (45.5)
14	15	.720 (18.3)	1.890 (48.0)	.665 (19.6)	1.880 (47.8)
16	17	.905 (23.0)	1.980 (50.3)	.758 (19.2)	1.990 (50.5)
18	19	.995 (25.3)	2.150 (54.6)	.946 (24.0)	2.180 (55.4)
20	21	.995 (25.3)	2.150 (54.6)	.946 (24.0)	2.180 (55.4)
22	23	1.145 (29.1)	2.260 (57.4)	1.040 (26.4)	2.330 (59.2)
24	25	1.145 (29.1)	2.260 (57.4)	1.040 (26.4)	2.330 (59.2)

**TABLE II: STANDARD FINISHES**

GLENAIR SYMBOL	FINISH
B	Cadmium Plate, Olive Drab
M	Electroless Nickel
NF	Cadmium Plate, Olive Drab Over Electroless Nickel
See Inside Back Cover for Additional Finish Options	

**TABLE X: CABLE ENTRY**

Dash No.	T Max	V Max	Cable Range	
			Min	Max
04	.780 (19.8)	.957 (24.3)	.125 (3.2)	.312 (7.9)
06	.780 (19.8)	1.145 (29.1)	.250 (6.4)	.437 (11.1)
08	.780 (19.8)	1.332 (33.8)	.312 (7.9)	.562 (14.3)
10	.780 (19.8)	1.332 (33.8)	.350 (8.9)	.625 (15.9)
12	.811 (20.6)	1.551 (39.4)	.500 (12.7)	.750 (19.1)
16	.905 (23.0)	1.770 (45.0)	.625 (15.9)	.937 (23.8)
20	1.092 (27.7)	2.113 (53.7)	.875 (22.2)	1.250 (31.8)
24	1.124 (28.5)	2.363 (60.0)	1.000 (25.4)	1.375 (34.9)
28	1.399 (35.5)	2.770 (70.4)	1.250 (31.8)	1.625 (41.3)
32	1.399 (35.5)	3.020 (76.7)	1.437 (36.5)	1.875 (47.6)

1. When maximum cable entry (page 21) is exceeded, Style 2 will be supplied. Dimensions E, F, G and H will not apply. Please consult factory.
2. Metric dimensions (mm) are indicated in parentheses.
3. Cable range is defined as the accommodations range for the wire bundle or cable. Dimensions shown are not intended for inspection criteria.
4. Consult factory for shorter lengths on straight backshells.
5. Designate Symbol T for 3 ring termination of individual and overall braid. Designate D for standard 2 ring termination of individual or overall braid.

**TABLE XI: CABLE ENTRY**

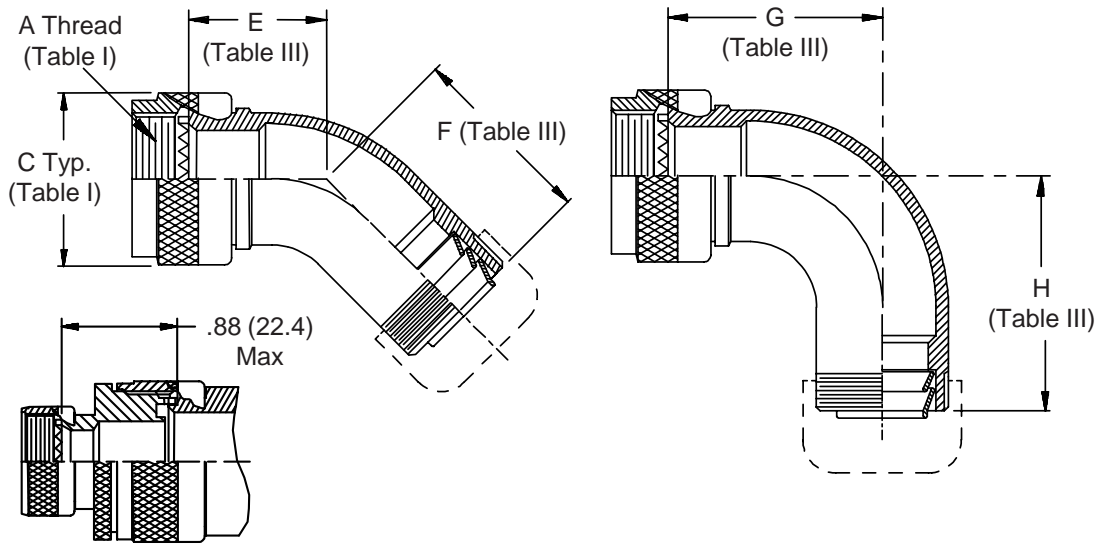
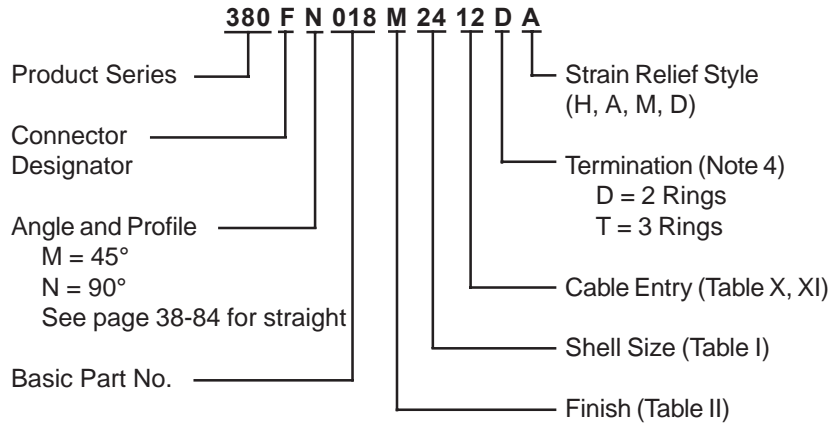
Dash No.	W Max	X Max	Y Max	Z Max	Cable Range	
					Min**	Max
03*	.437 (11.1)	.760 (19.3)	.843 (21.4)	.630 (16.0)	.156 (4.0)	.250 (6.4)
04*	.437 (11.1)	.760 (19.3)	.906 (23.0)	.755 (19.2)	.188 (4.8)	.312 (7.9)
06*	.500 (12.7)	.760 (19.3)	1.093 (27.8)	.942 (23.9)	.281 (7.1)	.438 (11.1)
08	.563 (14.3)	.760 (19.3)	1.187 (30.1)	1.067 (27.1)	.344 (8.7)	.562 (14.3)
10	.563 (14.3)	.760 (19.3)	1.281 (32.5)	1.192 (30.3)	.375 (9.5)	.625 (15.9)
12	.563 (14.3)	.760 (19.3)	1.500 (38.1)	1.380 (35.1)	.438 (11.1)	.750 (19.1)
16	.656 (16.7)	1.073 (27.3)	1.719 (43.7)	1.535 (39.0)	.562 (14.3)	.938 (23.8)
20	.656 (16.7)	1.323 (33.6)	2.062 (52.4)	1.848 (46.9)	.750 (19.1)	1.250 (31.8)
24	.656 (16.7)	1.323 (33.6)	2.312 (58.7)	2.255 (57.3)	.781 (19.8)	1.375 (34.9)
28	1.188 (30.2)	1.572 (39.9)	2.719 (69.1)	2.505 (63.6)	.969 (24.6)	1.625 (41.3)
32*	1.187 (30.1)	1.572 (39.9)	2.969 (75.4)	2.755 (70.0)	1.125 (28.6)	1.875 (47.6)
40*	1.125 (28.6)	1.572 (39.9)	3.531 (89.7)	3.255 (82.7)	1.469 (37.3)	2.375 (60.3)

\* Not available in Style M clamp.      \*\* Not Applicable Style D

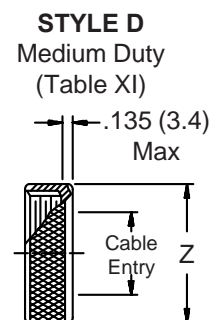
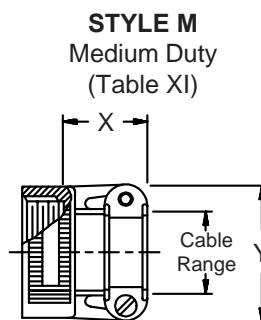
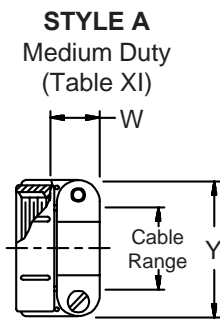
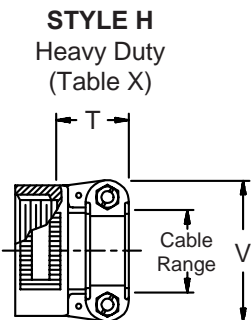


**CONNECTOR  
 DESIGNATORS  
 A-F-H-L-S  
 ROTATABLE  
 COUPLING**

**TYPE E INDIVIDUAL  
 AND/OR OVERALL  
 SHIELD TERMINATION**



**STYLE 2**  
 (See Note 1)



**380-018**  
**EMI/RFI Non-Environmental Backshell**  
with Strain Relief  
Type E - Rotatable Coupling - Full Radius Profile



See inside back cover fold-out or pages 13 and 14 for unabridged Tables I and II.

TABLE III: ELBOW DIMENSIONS						
Shell Size		E Max	F Max	G Max	H Max	
Conn. Desig.	H					
A-F-L-S	H					
08	09	.807 (20.5)	.867 (22.0)	1.125 (28.6)	1.185 (30.1)	
10	11	.861 (21.9)	.921 (23.4)	1.250 (31.8)	1.310 (33.3)	
12	13	.911 (23.1)	.971 (24.7)	1.375 (34.9)	1.435 (36.4)	
14	15	.965 (24.5)	1.025 (26.0)	1.500 (38.1)	1.560 (39.6)	
16	17	1.014 (25.8)	1.074 (27.3)	1.625 (41.3)	1.685 (42.8)	
18	19	1.064 (27.0)	1.124 (28.5)	1.750 (44.5)	1.810 (46.0)	
20	21	1.118 (28.4)	1.178 (29.9)	1.875 (47.6)	1.935 (49.1)	
22	23	1.172 (29.8)	1.232 (31.3)	2.000 (50.8)	2.060 (52.3)	
24	25	1.221 (31.0)	1.281 (32.5)	2.125 (54.0)	2.185 (55.5)	

TABLE II: STANDARD FINISHES	
GLENAIR SYMBOL	FINISH
B	Cadmium Plate, Olive Drab
M	Electroless Nickel
NF	Cadmium Plate, Olive Drab Over Electroless Nickel
See Inside Back Cover for Additional Finish Options	

TABLE X: CABLE ENTRY					
Dash No.	T Max	V Max	Cable Range		
			Min	Max	
04	.780 (19.8)	.957 (24.3)	.125 (3.2)	.312 (7.9)	
06	.780 (19.8)	1.145 (29.1)	.250 (6.4)	.437 (11.1)	
08	.780 (19.8)	1.332 (33.8)	.312 (7.9)	.562 (14.3)	
10	.780 (19.8)	1.332 (33.8)	.350 (8.9)	.625 (15.9)	
12	.811 (20.6)	1.551 (39.4)	.500 (12.7)	.750 (19.1)	
16	.905 (23.0)	1.770 (45.0)	.625 (15.9)	.937 (23.8)	
20	1.092 (27.7)	2.113 (53.7)	.875 (22.2)	1.250 (31.8)	
24	1.124 (28.5)	2.363 (60.0)	1.000 (25.4)	1.375 (34.9)	
28	1.399 (35.5)	2.770 (70.4)	1.250 (31.8)	1.625 (41.3)	
32	1.399 (35.5)	3.020 (76.7)	1.437 (36.5)	1.875 (47.6)	

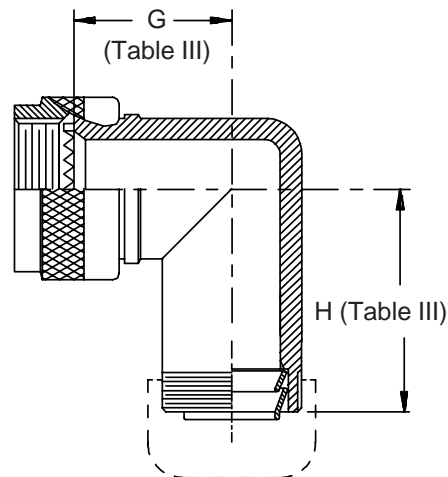
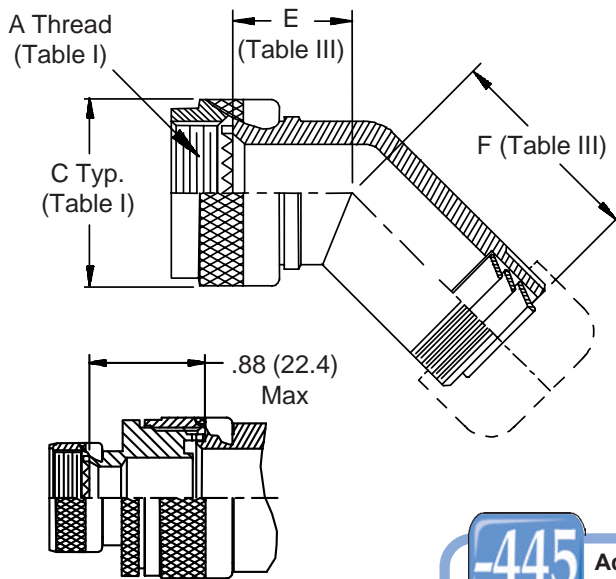
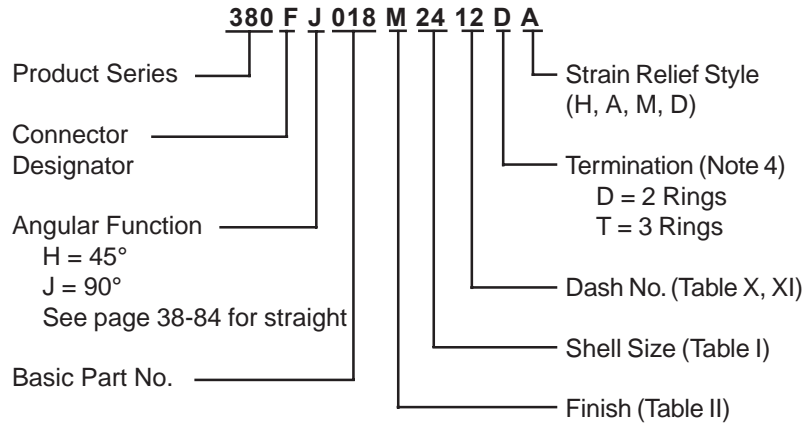
- When maximum cable entry (page 21) is exceeded, Style 2 will be supplied. Dimensions E, F, G and H will not apply. Please consult factory.
- Metric dimensions (mm) are indicated in parentheses.
- Cable range is defined as the accommodations range for the wire bundle or cable. Dimensions shown are not intended for inspection criteria.
- Designate Symbol T for 3 ring termination of individual and overall braid. Designate D for standard 2 ring termination of individual or overall braid.

TABLE XI: CABLE ENTRY							
Dash No.	W Max	X Max	Y Max	Z Max	Cable Range		
					Min **	Max	
03*	.437 (11.1)	.760 (19.3)	.843 (21.4)	.630 (16.0)	.156 (4.0)	.250 (6.4)	
04*	.437 (11.1)	.760 (19.3)	.906 (23.0)	.755 (19.2)	.188 (4.8)	.312 (7.9)	
06*	.500 (12.7)	.760 (19.3)	1.093 (27.8)	.942 (23.9)	.281 (7.1)	.438 (11.1)	
08	.563 (14.3)	.760 (19.3)	1.187 (30.1)	1.067 (27.1)	.344 (8.7)	.562 (14.3)	
10	.563 (14.3)	.760 (19.3)	1.281 (32.5)	1.192 (30.3)	.375 (9.5)	.625 (15.9)	
12	.563 (14.3)	.760 (19.3)	1.500 (38.1)	1.380 (35.1)	.438 (11.1)	.750 (19.1)	
16	.656 (16.7)	1.073 (27.3)	1.719 (43.7)	1.535 (39.0)	.562 (14.3)	.938 (23.8)	
20	.656 (16.7)	1.323 (33.6)	2.062 (52.4)	1.848 (46.9)	.750 (19.1)	1.250 (31.8)	
24	.656 (16.7)	1.323 (33.6)	2.312 (58.7)	2.255 (57.3)	.781 (19.8)	1.375 (34.9)	
28	1.188 (30.2)	1.572 (39.9)	2.719 (69.1)	2.505 (63.6)	.969 (24.6)	1.625 (41.3)	
32*	1.187 (30.1)	1.572 (39.9)	2.969 (75.4)	2.755 (70.0)	1.125 (28.6)	1.875 (47.6)	
40*	1.125 (28.6)	1.572 (39.9)	3.531 (89.7)	3.255 (82.7)	1.469 (37.3)	2.375 (60.3)	

\* Not available in Style M clamp.      \*\* Not Applicable Style D

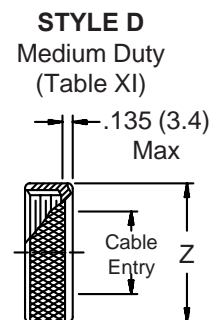
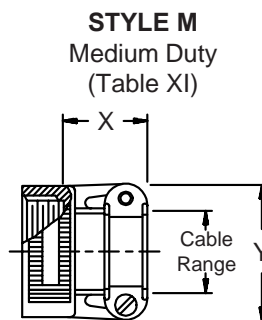
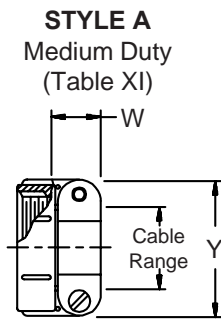
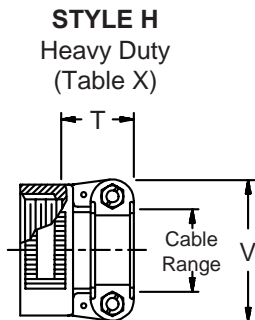
**CONNECTOR  
 DESIGNATORS  
 A-F-H-L-S  
 ROTATABLE  
 COUPLING**

**TYPE E INDIVIDUAL  
 AND/OR OVERALL  
 SHIELD TERMINATION**



**STYLE 2**  
(See Note 1)

**-445** Add "-445" to Specify Glenair's Non-Detent, ("NESTOR") Spring-Loaded, Self-Locking Coupling. See Page 41 for Details.



**380-018**  
**EMI/RFI Non-Environmental Backshell**  
**with Strain Relief**  
**Type E - Rotatable Coupling - Standard Profile**



See inside back cover fold-out or pages 13 and 14 for unabridged Tables I and II.

TABLE III: ELBOW DIMENSIONS									
Shell Size		E		F		G		H	
Conn. Desig.	H	Max		Max		Max		Max	
A-F-L-S									
08	09	.639	(16.2)	.950	(24.1)	.750	(19.1)	1.060	(26.9)
10	11	.664	(16.9)	.980	(24.9)	.810	(20.6)	1.120	(28.4)
12	13	.688	(17.5)	1.000	(25.4)	.870	(22.1)	1.180	(30.0)
14	15	.705	(17.9)	1.030	(26.2)	.920	(23.4)	1.250	(31.8)
16	17	.732	(18.6)	1.050	(26.7)	.980	(24.9)	1.310	(33.3)
18	19	.748	(19.0)	1.060	(26.9)	1.020	(25.9)	1.330	(33.8)
20	21	.773	(19.6)	1.080	(27.4)	1.080	(27.4)	1.390	(35.3)
22	23	.800	(20.3)	1.120	(28.4)	1.140	(29.0)	1.470	(37.3)
24	25	.823	(20.9)	1.150	(29.2)	1.200	(30.5)	1.540	(39.1)

TABLE II: STANDARD FINISHES	
GLENAIR SYMBOL	FINISH
B	Cadmium Plate, Olive Drab
M	Electroless Nickel
NF	Cadmium Plate, Olive Drab Over Electroless Nickel
See Inside Back Cover for Additional Finish Options	

TABLE X: CABLE ENTRY						
Dash No.	T Max	V Max	Cable Range			
			Min	Max		
04	.780 (19.8)	.957 (24.3)	.125 (3.2)	.312 (7.9)		
06	.780 (19.8)	1.145 (29.1)	.250 (6.4)	.437 (11.1)		
08	.780 (19.8)	1.332 (33.8)	.312 (7.9)	.562 (14.3)		
10	.780 (19.8)	1.332 (33.8)	.350 (8.9)	.625 (15.9)		
12	.811 (20.6)	1.551 (39.4)	.500 (12.7)	.750 (19.1)		
16	.905 (23.0)	1.770 (45.0)	.625 (15.9)	.937 (23.8)		
20	1.092 (27.7)	2.113 (53.7)	.875 (22.2)	1.250 (31.8)		
24	1.124 (28.5)	2.363 (60.0)	1.000 (25.4)	1.375 (34.9)		
28	1.399 (35.5)	2.770 (70.4)	1.250 (31.8)	1.625 (41.3)		
32	1.399 (35.5)	3.020 (76.7)	1.437 (36.5)	1.875 (47.6)		

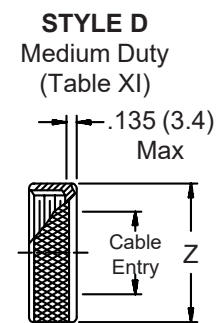
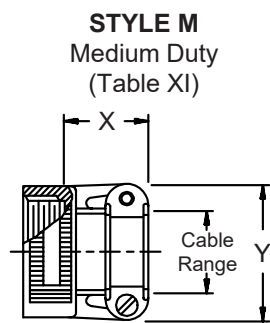
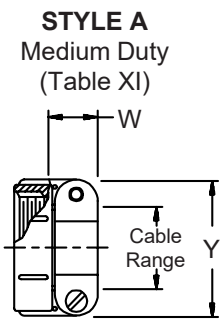
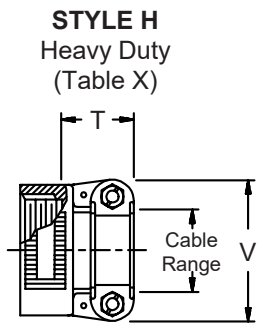
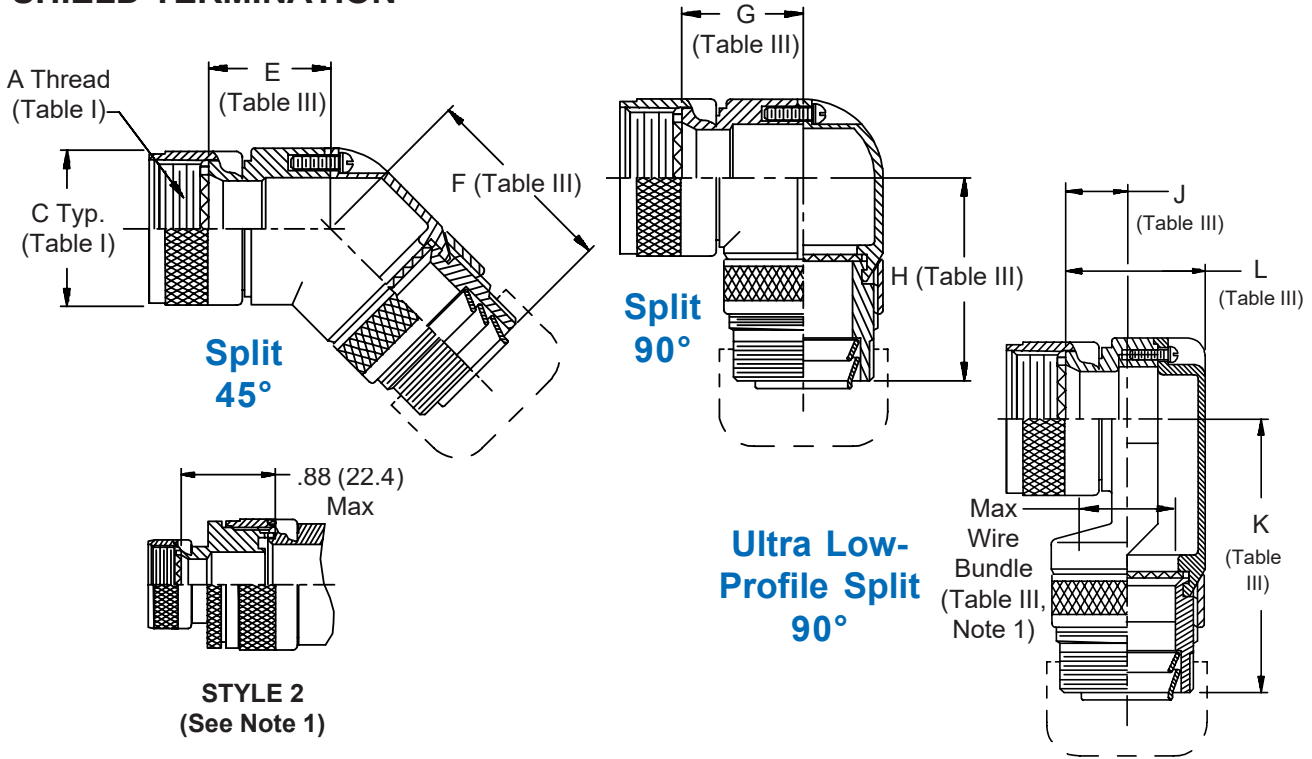
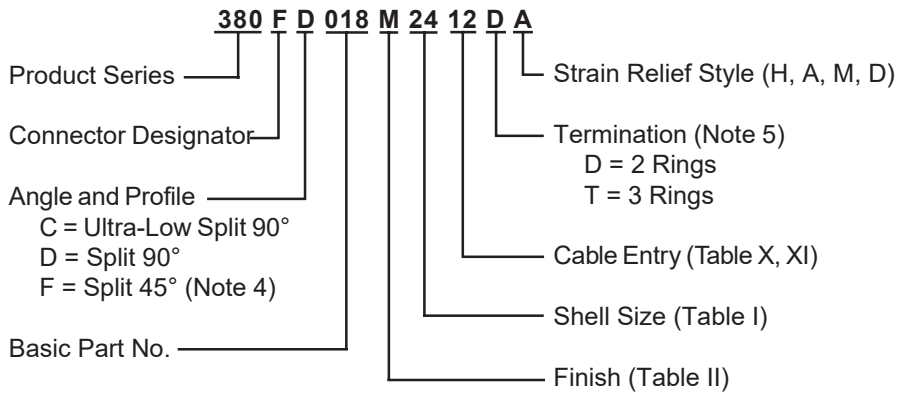
1. When maximum cable entry (page 21) is exceeded, Style 2 will be supplied. Dimensions E, F, G and H will not apply. Please consult factory.
2. Metric dimensions (mm) are indicated in parentheses.
3. Cable range is defined as the accommodations range for the wire bundle or cable. Dimensions shown are not intended for inspection criteria.
4. Designate Symbol T for 3 ring termination of individual and overall braid. Designate D for standard 2 ring termination of individual or overall braid.

TABLE XI: CABLE ENTRY							
Dash No.	W Max	X Max	Y Max	Z Max	Cable Range		
					Min **	Max	
03*	.437 (11.1)	.760 (19.3)	.843 (21.4)	.630 (16.0)	.156 (4.0)	.250 (6.4)	
04*	.437 (11.1)	.760 (19.3)	.906 (23.0)	.755 (19.2)	.188 (4.8)	.312 (7.9)	
06*	.500 (12.7)	.760 (19.3)	1.093 (27.8)	.942 (23.9)	.281 (7.1)	.438 (11.1)	
08	.563 (14.3)	.760 (19.3)	1.187 (30.1)	1.067 (27.1)	.344 (8.7)	.562 (14.3)	
10	.563 (14.3)	.760 (19.3)	1.281 (32.5)	1.192 (30.3)	.375 (9.5)	.625 (15.9)	
12	.563 (14.3)	.760 (19.3)	1.500 (38.1)	1.380 (35.1)	.438 (11.1)	.750 (19.1)	
16	.656 (16.7)	1.073 (27.3)	1.719 (43.7)	1.535 (39.0)	.562 (14.3)	.938 (23.8)	
20	.656 (16.7)	1.323 (33.6)	2.062 (52.4)	1.848 (46.9)	.750 (19.1)	1.250 (31.8)	
24	.656 (16.7)	1.323 (33.6)	2.312 (58.7)	2.255 (57.3)	.781 (19.8)	1.375 (34.9)	
28	1.188 (30.2)	1.572 (39.9)	2.719 (69.1)	2.505 (63.6)	.969 (24.6)	1.625 (41.3)	
32*	1.187 (30.1)	1.572 (39.9)	2.969 (75.4)	2.755 (70.0)	1.125 (28.6)	1.875 (47.6)	
40*	1.125 (28.6)	1.572 (39.9)	3.531 (89.7)	3.255 (82.7)	1.469 (37.3)	2.375 (60.3)	

\* Not available in Style M clamp.      \*\* Not Applicable Style D

**380-018**  
**EMI/RFI Non-Environmental Backshell**  
**with Strain Relief**  
**Type E - Rotatable Coupling - Split Shell**

**CONNECTOR  
 DESIGNATORS  
 A-F-H-L-S**  
**ROTATABLE  
 COUPLING**  
**TYPE E INDIVIDUAL  
 AND/OR OVERALL  
 SHIELD TERMINATION**



**380-018**  
**EMI/RFI Non-Environmental Backshell**  
 with Strain Relief  
 Type E - Rotatable Coupling - Split Shell



See inside back cover fold-out or pages 13 and 14 for unabridged Tables I and II.

**TABLE III: ELBOW DIMENSIONS**

Shell Size	E	F	G	H	J	K	L	Function C
	Max	Max	Max	Max	Ref	Max	Max	Max Wire Bundle
08/09	.440 (11.2)	1.590 (40.4)	.680 (17.3)	1.530 (38.9)	.340 (8.6)	1.840 (46.7)	.681 (17.3)	.250 (6.4)
10/11	.500 (12.7)	1.650 (41.9)	.750 (19.1)	1.590 (40.4)	.270 (6.9)	2.000 (50.8)	.731 (18.6)	.375 (9.5)
12/13	.560 (14.2)	1.720 (43.7)	.810 (20.6)	1.660 (42.2)	.270 (6.9)	2.000 (50.8)	.731 (18.6)	.375 (9.5)
14/15	.620 (15.7)	1.750 (44.5)	.870 (22.1)	1.690 (42.9)	.280 (7.1)	2.070 (52.6)	.831 (21.1)	.500 (12.7)
16/17	.680 (17.3)	1.850 (47.0)	.930 (23.6)	1.790 (45.5)	.420 (10.7)	2.120 (53.8)	.981 (24.9)	.625 (15.9)
18/19	.750 (19.1)	1.910 (48.5)	1.000 (25.4)	1.850 (47.0)	.640 (16.3)	2.150 (54.6)	1.181 (30.0)	.625 (15.9)
20/21	.820 (20.8)	1.970 (50.0)	1.060 (26.9)	1.910 (48.5)	.640 (16.3)	2.150 (54.6)	1.181 (30.0)	.625 (15.9)
22/23	.880 (22.4)	2.030 (51.6)	1.120 (28.4)	1.970 (50.0)	.540 (13.7)	2.300 (58.4)	1.181 (30.0)	.750 (19.1)
24/25	.940 (23.9)	2.090 (53.1)	1.180 (30.0)	2.030 (51.6)	.540 (13.7)	2.300 (58.4)	1.181 (30.0)	.750 (19.1)

**TABLE X: CABLE ENTRY**

Dash No.	T Max	V Max	Cable Range	
			Min	Max
04	.780 (19.8)	.957 (24.3)	.125 (3.2)	.312 (7.9)
06	.780 (19.8)	1.145 (29.1)	.250 (6.4)	.437 (11.1)
08	.780 (19.8)	1.332 (33.8)	.312 (7.9)	.562 (14.3)
10	.780 (19.8)	1.332 (33.8)	.350 (8.9)	.625 (15.9)
12	.811 (20.6)	1.551 (39.4)	.500 (12.7)	.750 (19.1)
16	.905 (23.0)	1.770 (45.0)	.625 (15.9)	.937 (23.8)
20	1.092 (27.7)	2.113 (53.7)	.875 (22.2)	1.250 (31.8)
24	1.124 (28.5)	2.363 (60.0)	1.000 (25.4)	1.375 (34.9)
28	1.399 (35.5)	2.770 (70.4)	1.250 (31.8)	1.625 (41.3)
32	1.399 (35.5)	3.020 (76.7)	1.437 (36.5)	1.875 (47.6)

1. When maximum cable entry (page 21) is exceeded, Style 2 will be supplied (not available in Function C). Dimensions E, F, G and H will not apply. Please consult factory.
2. Metric dimensions (mm) are indicated in parentheses.
3. Cable range is defined as the accommodations range for the wire bundle or cable. Dimensions shown are not intended for inspection criteria.

4. Consult factory for available sizes of 45° (Symbol F).
5. Designate termination symbol T for 3 ring termination of individual and overall braid. Designate D for standard 2 ring termination of individual or overall braid.
6. Angular function "C", low-profile split elbow, not available with "S" connector designator.

**TABLE II: STANDARD FINISHES**

GLENAIR SYMBOL	FINISH
B	Cadmium Plate, Olive Drab
M	Electroless Nickel
NF	Cadmium Plate, Olive Drab Over Electroless Nickel
See Inside Back Cover for Additional Finish Options	

**TABLE XI: CABLE ENTRY**

Dash No.	W Max	X Max	Y Max	Z Max	Cable Range	
					Min **	Max
03*	.437 (11.1)	.760 (19.3)	.843 (21.4)	.630 (16.0)	.156 (4.0)	.250 (6.4)
04*	.437 (11.1)	.760 (19.3)	.906 (23.0)	.755 (19.2)	.188 (4.8)	.312 (7.9)
06*	.500 (12.7)	.760 (19.3)	1.093 (27.8)	.942 (23.9)	.281 (7.1)	.438 (11.1)
08	.563 (14.3)	.760 (19.3)	1.187 (30.1)	1.067 (27.1)	.344 (8.7)	.562 (14.3)
10	.563 (14.3)	.760 (19.3)	1.281 (32.5)	1.192 (30.3)	.375 (9.5)	.625 (15.9)
12	.563 (14.3)	.760 (19.3)	1.500 (38.1)	1.380 (35.1)	.438 (11.1)	.750 (19.1)
16	.656 (16.7)	1.073 (27.3)	1.719 (43.7)	1.535 (39.0)	.562 (14.3)	.938 (23.8)
20	.656 (16.7)	1.323 (33.6)	2.062 (52.4)	1.848 (46.9)	.750 (19.1)	1.250 (31.8)
24	.656 (16.7)	1.323 (33.6)	2.312 (58.7)	2.255 (57.3)	.781 (19.8)	1.375 (34.9)
28	1.188 (30.2)	1.572 (39.9)	2.719 (69.1)	2.505 (63.6)	.969 (24.6)	1.625 (41.3)
32*	1.187 (30.1)	1.572 (39.9)	2.969 (75.4)	2.755 (70.0)	1.125 (28.6)	1.875 (47.6)
40*	1.125 (28.6)	1.572 (39.9)	3.531 (89.7)	3.255 (82.7)	1.469 (37.3)	2.375 (60.3)

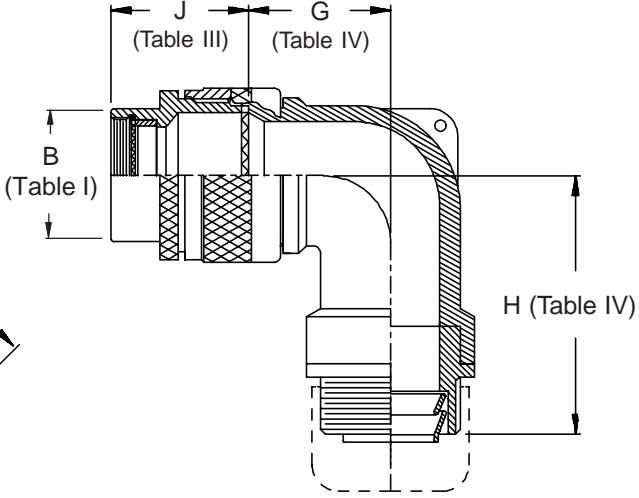
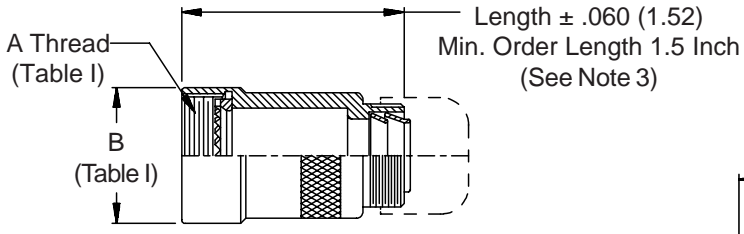
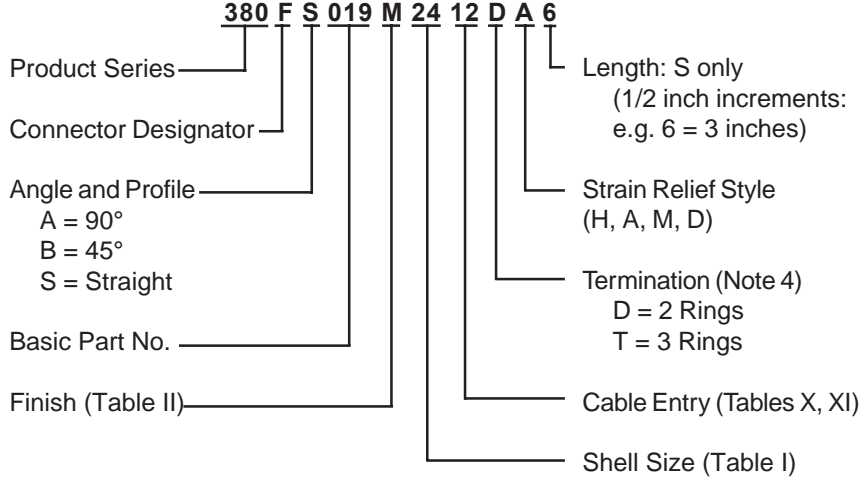
\* Not available in Style M clamp.      \*\* Not Applicable Style D



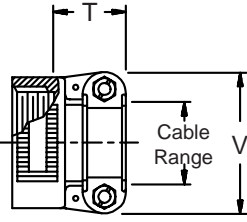
**380-019**  
**EMI/RFI Non-Environmental Backshell**  
**with Strain Relief**  
**Type E - Direct Coupling - Low Profile**

**CONNECTOR DESIGNATORS**  
**A-B\*-C-D-E-F**  
**G-H-J-K-L-S**  
 \* Conn. Desig. B See Note 5  
**DIRECT COUPLING**

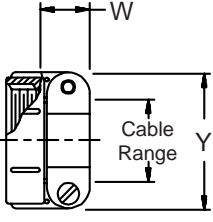
**TYPE E INDIVIDUAL AND/OR OVERALL SHIELD TERMINATION**



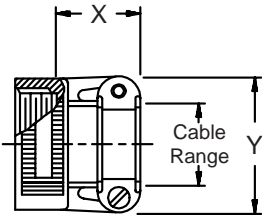
**STYLE H**  
 Heavy Duty  
 (Table X)



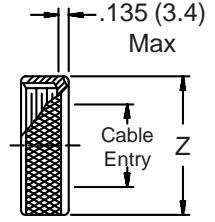
**STYLE A**  
 Medium Duty  
 (Table XI)



**STYLE M**  
 Medium Duty  
 (Table XI)



**STYLE D**  
 Medium Duty  
 (Table XI)



**380-019**  
**EMI/RFI Non-Environmental Backshell**  
with Strain Relief  
Type E - Direct Coupling - Low Profile



See inside back cover fold-out or pages 13 and 14 for unabridged Tables I and II.

TABLE III: FRONT ADAPTER			
Shell Size	J Max - Conn. Designator		
	A-E-F		C
	J-H-L-S	D-B-G-K	
08/09	1.180 (30.0)	1.440 (36.6)	
10/11	1.180 (30.0)	1.440 (36.6)	
12/13	1.180 (30.0)	1.440 (36.6)	1.735 (44.1)
14/15	1.180 (30.0)	1.440 (36.6)	1.915 (48.6)
16/17	1.380 (35.0)	1.560 (39.6)	1.915 (48.6)
18/19	1.380 (35.0)	1.560 (39.6)	1.915 (48.6)
20/21	1.380 (35.0)	1.560 (39.6)	1.915 (48.6)
22/23	1.380 (35.0)	1.560 (39.6)	1.915 (48.6)
24/25	1.380 (35.0)	1.560 (39.6)	1.915 (48.6)
28/29	1.610 (40.9)	1.560 (39.6)	1.915 (48.6)
32/33	1.610 (40.9)	1.750 (44.5)	1.915 (48.6)
36	1.610 (40.9)	1.750 (44.5)	1.915 (48.6)
40	1.610 (40.9)	2.190 (55.6)	1.915 (48.6)

TABLE IV: ELBOW DIMENSIONS					
Elbow Size	E Max	F Max	G Max	H Max	
03	.457 (11.6)	1.470 (37.3)	.500 (12.7)	1.480 (37.6)	
04	.457 (11.6)	1.470 (37.3)	.500 (12.7)	1.480 (37.6)	
06	.520 (13.2)	1.530 (38.9)	.595 (15.1)	1.600 (40.6)	
08	.582 (14.8)	1.590 (40.4)	.610 (15.5)	1.620 (41.1)	
10	.645 (16.4)	1.680 (42.7)	.700 (17.8)	1.690 (42.9)	
12	.738 (18.7)	1.790 (45.5)	.885 (22.5)	1.950 (49.5)	
16	.926 (23.5)	1.980 (50.3)	.975 (24.8)	2.060 (52.3)	
20	1.020 (25.9)	2.130 (54.1)	1.125 (28.6)	2.060 (52.3)	

1. Metric dimensions (mm) are indicated in parentheses.
2. Cable range is defined as the accommodations range for the wire bundle or cable. Dimensions shown are not for inspection criteria.
3. Consult factory for shorter lengths on straight backshells.
4. Designate Symbol T for 3 ring termination of individual and overall

TABLE X: CABLE ENTRY					
Dash No.	T Max	V Max	Cable Range		
			Min	Max	
04	.780 (19.8)	.957 (24.3)	.125 (3.2)	.312 (7.9)	
06	.780 (19.8)	1.145 (29.1)	.250 (6.4)	.437 (11.1)	
08	.780 (19.8)	1.332 (33.8)	.312 (7.9)	.562 (14.3)	
10	.780 (19.8)	1.332 (33.8)	.350 (8.9)	.625 (15.9)	
12	.811 (20.6)	1.551 (39.4)	.500 (12.7)	.750 (19.1)	
16	.905 (23.0)	1.770 (45.0)	.625 (15.9)	.937 (23.8)	
20	1.092 (27.7)	2.113 (53.7)	.875 (22.2)	1.250 (31.8)	
24	1.124 (28.5)	2.363 (60.0)	1.000 (25.4)	1.375 (34.9)	
28	1.399 (35.5)	2.770 (70.4)	1.250 (31.8)	1.625 (41.3)	
32	1.399 (35.5)	3.020 (76.7)	1.437 (36.5)	1.875 (47.6)	

TABLE II: STANDARD FINISHES	
GLENAIR SYMBOL	FINISH
B	Cadmium Plate, Olive Drab
M	Electroless Nickel
NF	Cadmium Plate, Olive Drab Over Electroless Nickel

See Inside Back Cover for Additional Finish Options

5. When using Connector Designator B refer to pages 18 and 19 for part number development.

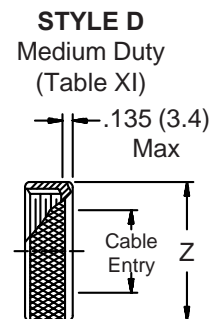
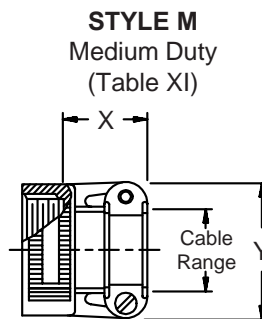
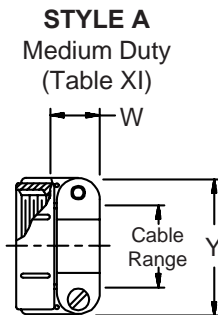
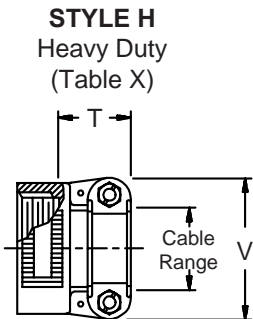
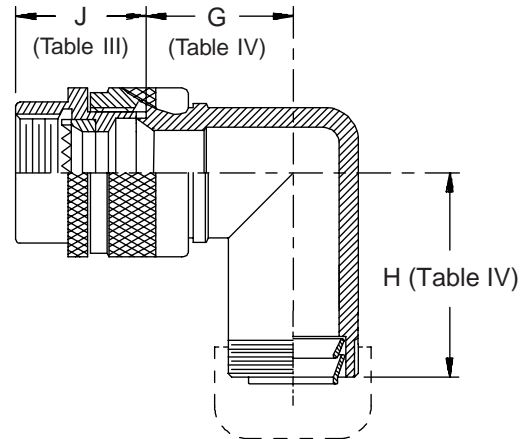
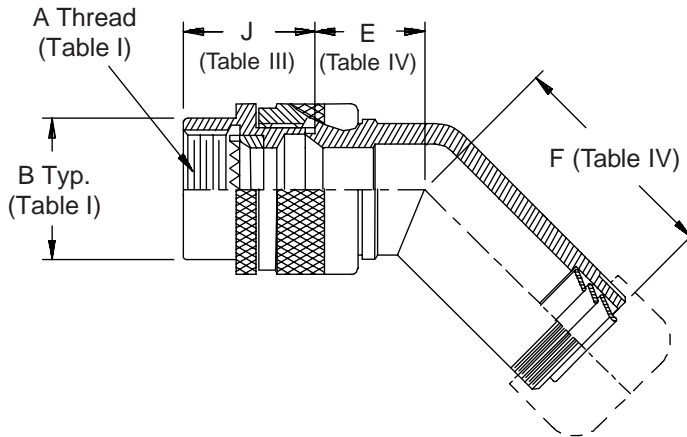
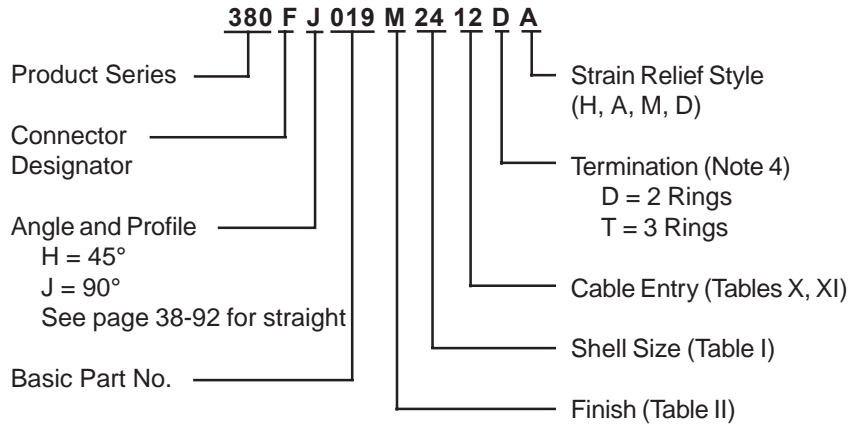
TABLE XI: CABLE ENTRY							
Dash No.	W Max	X Max	Y Max	Z Max	Cable Range		
					Min **	Max	
03*	.437 (11.1)	.760 (19.3)	.843 (21.4)	.630 (16.0)	.156 (4.0)	.250 (6.4)	
04*	.437 (11.1)	.760 (19.3)	.906 (23.0)	.755 (19.2)	.188 (4.8)	.312 (7.9)	
06*	.500 (12.7)	.760 (19.3)	1.093 (27.8)	.942 (23.9)	.281 (7.1)	.438 (11.1)	
08	.563 (14.3)	.760 (19.3)	1.187 (30.1)	1.067 (27.1)	.344 (8.7)	.562 (14.3)	
10	.563 (14.3)	.760 (19.3)	1.281 (32.5)	1.192 (30.3)	.375 (9.5)	.625 (15.9)	
12	.563 (14.3)	.760 (19.3)	1.500 (38.1)	1.380 (35.1)	.438 (11.1)	.750 (19.1)	
16	.656 (16.7)	1.073 (27.3)	1.719 (43.7)	1.535 (39.0)	.562 (14.3)	.938 (23.8)	
20	.656 (16.7)	1.323 (33.6)	2.062 (52.4)	1.848 (46.9)	.750 (19.1)	1.250 (31.8)	
24	.656 (16.7)	1.323 (33.6)	2.312 (58.7)	2.255 (57.3)	.781 (19.8)	1.375 (34.9)	
28	1.188 (30.2)	1.572 (39.9)	2.719 (69.1)	2.505 (63.6)	.969 (24.6)	1.625 (41.3)	
32*	1.187 (30.1)	1.572 (39.9)	2.969 (75.4)	2.755 (70.0)	1.125 (28.6)	1.875 (47.6)	
40*	1.125 (28.6)	1.572 (39.9)	3.531 (89.7)	3.255 (82.7)	1.469 (37.3)	2.375 (60.3)	

\* Not available in Style M clamp.      \*\* Not Applicable Style D

**CONNECTOR  
 DESIGNATORS**  
**A-B\*-C-D-E-F**  
**G-H-J-K-L-S**

\* Conn. Desig. B See Note 5  
**DIRECT COUPLING**

**TYPE E INDIVIDUAL  
 AND/OR OVERALL  
 SHIELD TERMINATION**





See inside back cover fold-out or pages 13 and 14 for unabridged Tables I and II.

**TABLE III: FRONT ADAPTER**

Shell Size	J Max - Conn. Designator		
	A-E-F		C
	J-H-L-S	D-B-G-K	
08/09	1.180 (30.0)	1.440 (36.6)	
10/11	1.180 (30.0)	1.440 (36.6)	
12/13	1.180 (30.0)	1.440 (36.6)	1.735 (44.1)
14/15	1.180 (30.0)	1.440 (36.6)	1.915 (48.6)
16/17	1.380 (35.0)	1.560 (39.6)	1.915 (48.6)
18/19	1.380 (35.0)	1.560 (39.6)	1.915 (48.6)
20/21	1.380 (35.0)	1.560 (39.6)	1.915 (48.6)
22/23	1.380 (35.0)	1.560 (39.6)	1.915 (48.6)
24/25	1.380 (35.0)	1.560 (39.6)	1.915 (48.6)
28/29	1.610 (40.9)	1.560 (39.6)	1.915 (48.6)
32/33	1.610 (40.9)	1.750 (44.5)	1.915 (48.6)
36	1.610 (40.9)	1.750 (44.5)	1.915 (48.6)
40	1.610 (40.9)	2.190 (55.6)	1.915 (48.6)

**TABLE IV: ELBOW DIMENSIONS**

Elbow Size	E Max	F Max	G Max	H Max
03	.639 (16.2)	.950 (24.1)	.750 (19.1)	1.060 (26.9)
04	.664 (16.9)	.980 (24.9)	.810 (20.6)	1.120 (28.4)
06	.688 (17.5)	1.000 (25.4)	.870 (22.1)	1.180 (30.0)
08	.705 (17.9)	1.030 (26.2)	.920 (23.4)	1.250 (31.8)
10	.732 (18.6)	1.050 (26.7)	.980 (24.9)	1.310 (33.3)
12	.748 (19.0)	1.060 (26.9)	1.020 (25.9)	1.330 (33.8)
16	.800 (20.3)	1.120 (28.4)	1.140 (29.0)	1.470 (37.3)
20	1.041 (26.4)	1.320 (33.5)	1.480 (37.6)	1.780 (45.2)
24	1.041 (26.4)	1.320 (33.5)	1.480 (37.6)	1.780 (45.2)
28	1.092 (27.7)	1.360 (34.5)	1.610 (40.9)	1.870 (47.5)
32	1.138 (28.9)	1.410 (35.8)	1.720 (43.7)	1.980 (50.3)

**TABLE II: STANDARD FINISHES**

GLENAIR SYMBOL	FINISH
B	Cadmium Plate, Olive Drab
M	Electroless Nickel
NF	Cadmium Plate, Olive Drab Over Electroless Nickel

See Inside Back Cover for Additional Finish Options

**TABLE X: CABLE ENTRY**

Dash No.	T Max	V Max	Cable Range	
			Min	Max
04	.780 (19.8)	.957 (24.3)	.125 (3.2)	.312 (7.9)
06	.780 (19.8)	1.145 (29.1)	.250 (6.4)	.437 (11.1)
08	.780 (19.8)	1.332 (33.8)	.312 (7.9)	.562 (14.3)
10	.780 (19.8)	1.332 (33.8)	.350 (8.9)	.625 (15.9)
12	.811 (20.6)	1.551 (39.4)	.500 (12.7)	.750 (19.1)
16	.905 (23.0)	1.770 (45.0)	.625 (15.9)	.937 (23.8)
20	1.092 (27.7)	2.113 (53.7)	.875 (22.2)	1.250 (31.8)
24	1.124 (28.5)	2.363 (60.0)	1.000 (25.4)	1.375 (34.9)
28	1.399 (35.5)	2.770 (70.4)	1.250 (31.8)	1.625 (41.3)
32	1.399 (35.5)	3.020 (76.7)	1.437 (36.5)	1.875 (47.6)

- Metric dimensions (mm) are indicated in parentheses.
- Cable range is defined as the accommodations range for the wire bundle or cable. Dimensions shown are not intended for inspection criteria.
- Consult factory for shorter lengths on straight backshells.

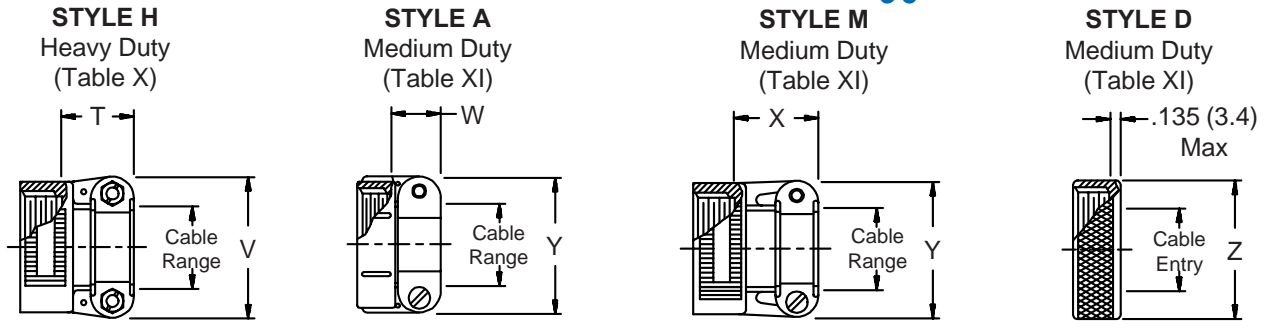
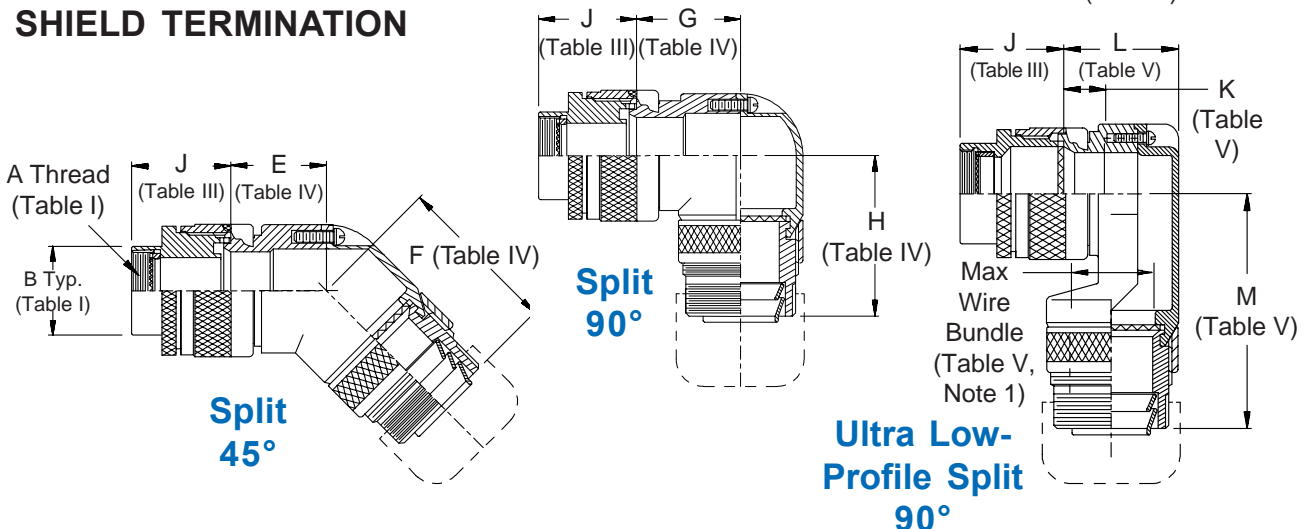
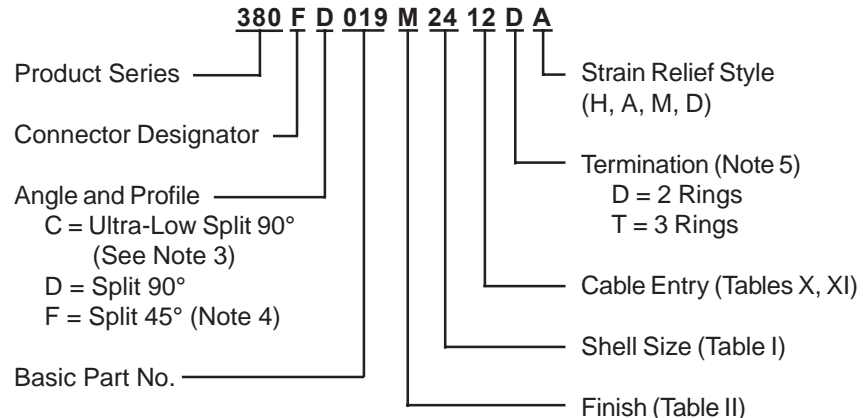
**TABLE XI: CABLE ENTRY**

Dash No.	W Max	X Max	Y Max	Z Max	Cable Range	
					Min **	Max
03*	.437 (11.1)	.760 (19.3)	.843 (21.4)	.630 (16.0)	.156 (4.0)	.250 (6.4)
04*	.437 (11.1)	.760 (19.3)	.906 (23.0)	.755 (19.2)	.188 (4.8)	.312 (7.9)
06*	.500 (12.7)	.760 (19.3)	1.093 (27.8)	.942 (23.9)	.281 (7.1)	.438 (11.1)
08	.563 (14.3)	.760 (19.3)	1.187 (30.1)	1.067 (27.1)	.344 (8.7)	.562 (14.3)
10	.563 (14.3)	.760 (19.3)	1.281 (32.5)	1.192 (30.3)	.375 (9.5)	.625 (15.9)
12	.563 (14.3)	.760 (19.3)	1.500 (38.1)	1.380 (35.1)	.438 (11.1)	.750 (19.1)
16	.656 (16.7)	1.073 (27.3)	1.719 (43.7)	1.535 (39.0)	.562 (14.3)	.938 (23.8)
20	.656 (16.7)	1.323 (33.6)	2.062 (52.4)	1.848 (46.9)	.750 (19.1)	1.250 (31.8)
24	.656 (16.7)	1.323 (33.6)	2.312 (58.7)	2.255 (57.3)	.781 (19.8)	1.375 (34.9)
28	1.188 (30.2)	1.572 (39.9)	2.719 (69.1)	2.505 (63.6)	.969 (24.6)	1.625 (41.3)
32*	1.187 (30.1)	1.572 (39.9)	2.969 (75.4)	2.755 (70.0)	1.125 (28.6)	1.875 (47.6)
40*	1.125 (28.6)	1.572 (39.9)	3.531 (89.7)	3.255 (82.7)	1.469 (37.3)	2.375 (60.3)

\* Not available in Style M clamp.      \*\* Not Applicable Style D

- Designate Symbol T for 3 ring termination of individual and overall braid. Designate D for standard 2 ring termination of individual or overall braid.
- When using Connector Designator B refer to pages 18 and 19 for part number development.

**CONNECTOR DESIGNATORS**  
**A-B\*-C-D-E-F**  
**G-H-J-K-L-S**  
 \* Conn. Desig. B See Note 6  
**DIRECT COUPLING**  
**TYPE E INDIVIDUAL AND/OR OVERALL SHIELD TERMINATION**



1. Metric dimensions (mm) are indicated in parentheses.
2. Cable range is defined as the accommodations range for the wire bundle or cable. Dimensions shown are not intended for inspection criteria.
3. Function C Low Profile Elbow is available in Dash Numbers 03 thru 12 only.
4. Consult factory for available sizes of 45° (Symbol F).
5. Designate Symbol T for 3 ring termination of individual and overall braid. Designate D for standard 2 ring termination of individual or overall braid.
6. When using Connector Designator B refer to pages 18 and 19 for part number development.



EMI/RFI Non-Environmental Backshell  
with Strain Relief  
Type E - Direct Coupling - Split Shell



TABLE III: FRONT ADAPTER

Shell Size	J Max - Conn. Designator		
	A-E-F		
	J-H-L-S	D-B-G-K	C
08/09	1.180 (30.0)	1.440 (36.6)	
10/11	1.180 (30.0)	1.440 (36.6)	
12/13	1.180 (30.0)	1.440 (36.6)	1.735 (44.1)
14/15	1.180 (30.0)	1.440 (36.6)	1.915 (48.6)
16/17	1.380 (35.0)	1.560 (39.6)	1.915 (48.6)
18/19	1.380 (35.0)	1.560 (39.6)	1.915 (48.6)
20/21	1.380 (35.0)	1.560 (39.6)	1.915 (48.6)
22/23	1.380 (35.0)	1.560 (39.6)	1.915 (48.6)
24/25	1.380 (35.0)	1.560 (39.6)	1.915 (48.6)
28/29	1.610 (40.9)	1.560 (39.6)	1.915 (48.6)
32/33	1.610 (40.9)	1.750 (44.5)	1.915 (48.6)
36	1.610 (40.9)	1.750 (44.5)	1.915 (48.6)
40	1.610 (40.9)	2.190 (55.6)	1.915 (48.6)

TABLE IV: ELBOW DIMENSIONS

Elbow Size	E Max	F Max	G Max	H Max
03	.500 (12.7)	1.590 (40.4)	.680 (17.3)	1.530 (38.9)
04	.500 (12.7)	1.590 (40.4)	.680 (17.3)	1.530 (38.9)
06	.500 (12.7)	1.650 (41.9)	.750 (19.1)	1.590 (40.4)
08	.560 (14.2)	1.720 (43.7)	.810 (20.6)	1.660 (42.2)
10	.620 (15.7)	1.750 (44.5)	.870 (22.1)	1.690 (42.9)
12	.680 (17.3)	1.850 (47.0)	.930 (23.6)	1.790 (45.5)
16	.750 (19.1)	1.910 (48.5)	1.000 (25.4)	1.850 (47.0)
20	.820 (20.8)	1.970 (50.0)	1.060 (26.9)	1.910 (48.5)
24	.880 (22.4)	2.030 (51.6)	1.120 (28.4)	1.970 (50.0)
28	.940 (23.9)	2.090 (53.1)	1.180 (30.0)	2.030 (51.6)

TABLE X: CABLE ENTRY

Dash No.	T Max	V Max	Cable Range			
			Min		Max	
04	.780 (19.8)	.957 (24.3)	.125 (3.2)	.312 (7.9)		
06	.780 (19.8)	1.145 (29.1)	.250 (6.4)	.437 (11.1)		
08	.780 (19.8)	1.332 (33.8)	.312 (7.9)	.562 (14.3)		
10	.780 (19.8)	1.332 (33.8)	.350 (8.9)	.625 (15.9)		
12	.811 (20.6)	1.551 (39.4)	.500 (12.7)	.750 (19.1)		
16	.905 (23.0)	1.770 (45.0)	.625 (15.9)	.937 (23.8)		
20	1.092 (27.7)	2.113 (53.7)	.875 (22.2)	1.250 (31.8)		
24	1.124 (28.5)	2.363 (60.0)	1.000 (25.4)	1.375 (34.9)		
28	1.399 (35.5)	2.770 (70.4)	1.250 (31.8)	1.625 (41.3)		
32	1.399 (35.5)	3.020 (76.7)	1.437 (36.5)	1.875 (47.6)		

TABLE V: ELBOW DIMENSIONS

Elbow Size	K Max		L Max	
	03	.340 (8.6)	.681 (17.3)	
04	.270 (6.9)	.731 (18.6)		
06	.270 (6.9)	.731 (18.6)		
08	.280 (7.1)	.831 (21.1)		
10	.420 (10.7)	.981 (24.9)		
12	.540 (13.7)	1.181 (30.0)		

Elbow Size	M Max		Function C Max Wire Bundle	
	03	1.730 (43.9)	.250 (6.4)	
04	1.730 (43.9)	.375 (9.5)		
06	1.890 (48.0)	.375 (9.5)		
08	1.890 (48.0)	.500 (12.7)		
10	1.960 (49.8)	.625 (15.9)		
12	1.960 (49.8)	.750 (19.1)		

TABLE II: STANDARD FINISHES

GLENAIR SYMBOL	FINISH
B	Cadmium Plate, Olive Drab
M	Electroless Nickel
NF	Cadmium Plate, Olive Drab Over Electroless Nickel

See Inside Back Cover for Additional Finish Options

See inside back cover fold-out or pages 13 and 14 for unabridged Tables I and II.

TABLE XI: CABLE ENTRIES

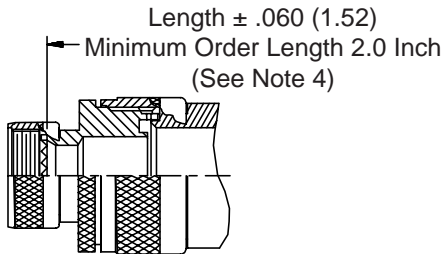
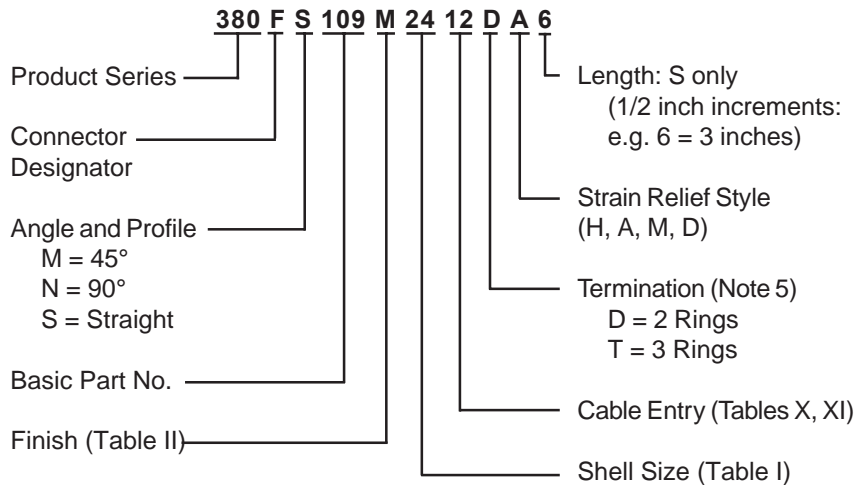
Dash No.	W Max	X Max	Y Max	Z Max	Cable Range	
					Min **	Max
03*	.437 (11.1)	.760 (19.3)	.843 (21.4)	.630 (16.0)	.156 (4.0)	.250 (6.4)
04*	.437 (11.1)	.760 (19.3)	.906 (23.0)	.755 (19.2)	.188 (4.8)	.312 (7.9)
06*	.500 (12.7)	.760 (19.3)	1.093 (27.8)	.942 (23.9)	.281 (7.1)	.438 (11.1)
08	.563 (14.3)	.760 (19.3)	1.187 (30.1)	1.067 (27.1)	.344 (8.7)	.562 (14.3)
10	.563 (14.3)	.760 (19.3)	1.281 (32.5)	1.192 (30.3)	.375 (9.5)	.625 (15.9)
12	.563 (14.3)	.760 (19.3)	1.500 (38.1)	1.380 (35.1)	.438 (11.1)	.750 (19.1)
16	.656 (16.7)	1.073 (27.3)	1.719 (43.7)	1.535 (39.0)	.562 (14.3)	.938 (23.8)
20	.656 (16.7)	1.323 (33.6)	2.062 (52.4)	1.848 (46.9)	.750 (19.1)	1.250 (31.8)
24	.656 (16.7)	1.323 (33.6)	2.312 (58.7)	2.255 (57.3)	.781 (19.8)	1.375 (34.9)
28	1.188 (30.2)	1.572 (39.9)	2.719 (69.1)	2.505 (63.6)	.969 (24.6)	1.625 (41.3)
32*	1.187 (30.1)	1.572 (39.9)	2.969 (75.4)	2.755 (70.0)	1.125 (28.6)	1.875 (47.6)
40*	1.125 (28.6)	1.572 (39.9)	3.531 (89.7)	3.255 (82.7)	1.469 (37.3)	2.375 (60.3)

\* Not available in Style M clamp.      \*\* Not Applicable Style D

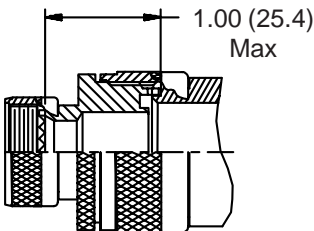


**CONNECTOR  
 DESIGNATORS  
 A-F-H-L-S  
 SELF-LOCKING  
 ROTATABLE  
 COUPLING**

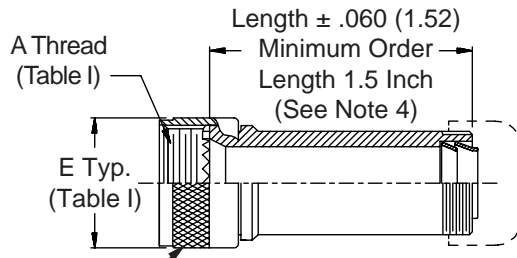
**TYPE E INDIVIDUAL  
 AND/OR OVERALL  
 SHIELD TERMINATION**



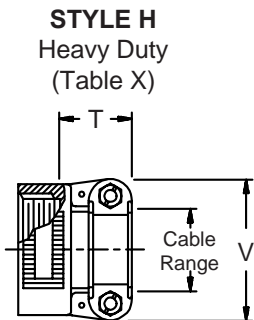
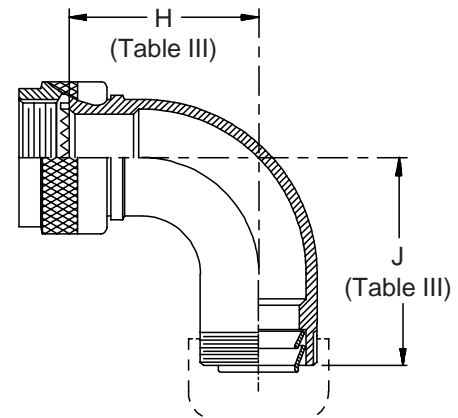
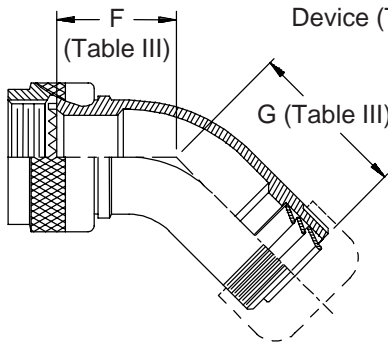
**STYLE 2  
 (STRAIGHT  
 See Note 1)**



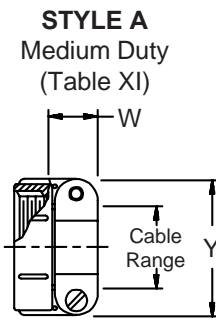
**STYLE 2  
 (45° & 90°  
 See Note 1)**



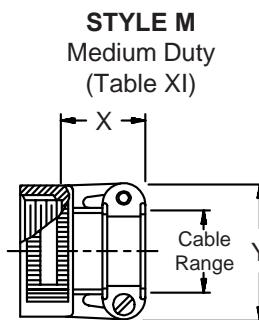
Anti-Rotation Device (Typ.)



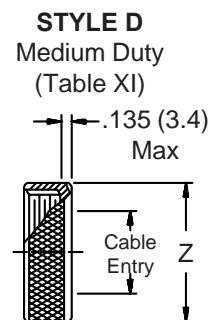
**STYLE H  
 Heavy Duty  
 (Table X)**



**STYLE A  
 Medium Duty  
 (Table XI)**



**STYLE M  
 Medium Duty  
 (Table XI)**

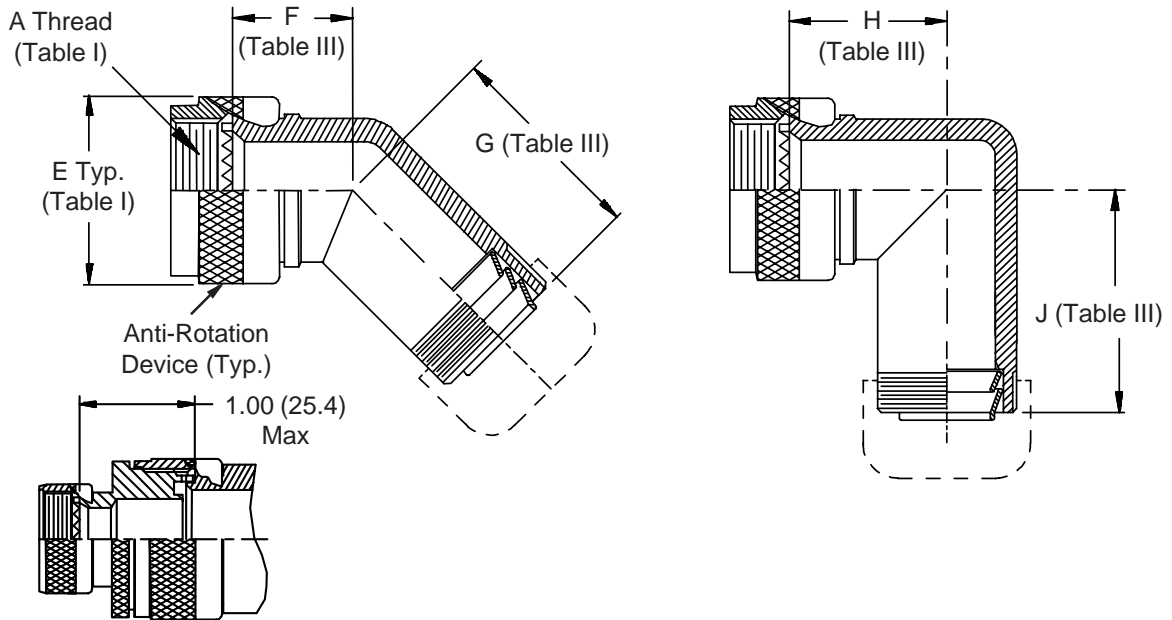
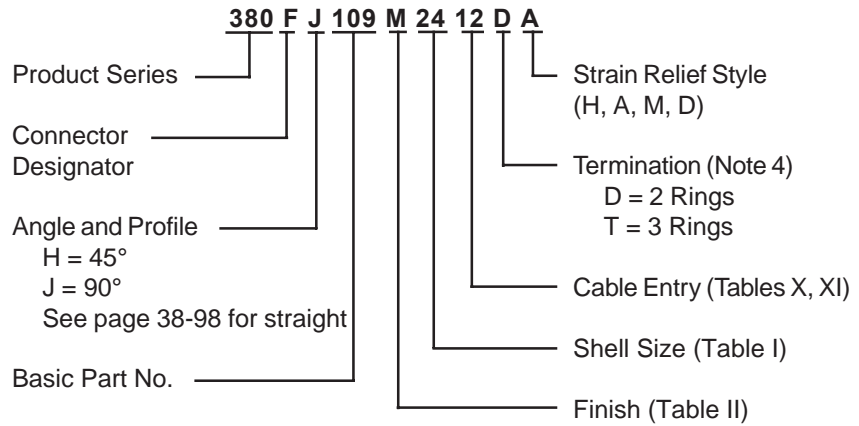


**STYLE D  
 Medium Duty  
 (Table XI)**

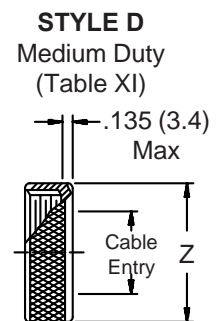
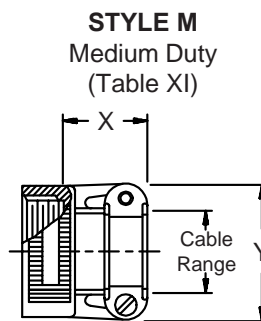
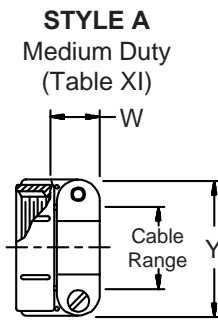
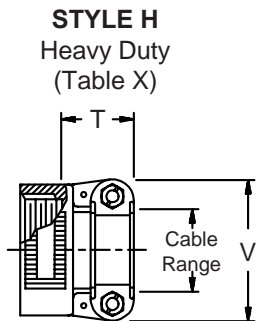


**CONNECTOR  
 DESIGNATORS  
 A-F-H-L-S  
 SELF-LOCKING  
 ROTATABLE  
 COUPLING**

**TYPE E INDIVIDUAL  
 AND/OR OVERALL  
 SHIELD TERMINATION**



**STYLE 2**  
 (See Note 1)



**380-109**  
**EMI/RFI Non-Environmental Backshell**  
**with Strain Relief**  
**Type E - Self-Locking - Rotatable Coupling - Standard Profile**



See inside back cover fold-out or pages 13 and 14 for unabridged Tables I and II.

**TABLE III: ELBOW DIMENSIONS**

Shell Size		F Max	G Max	H Max	J Max
Conn. Desig. A-F-L-S	H				
08	09	.795 (20.2)	.950 (24.1)	.906 (23.0)	1.060 (26.9)
10	11	.820 (20.8)	.980 (24.9)	.966 (24.5)	1.120 (28.4)
12	13	.844 (21.4)	1.000 (25.4)	1.026 (26.1)	1.180 (30.0)
14	15	.861 (21.9)	1.030 (26.2)	1.076 (27.3)	1.250 (31.8)
16	17	.888 (22.6)	1.050 (26.7)	1.136 (28.9)	1.310 (33.3)
18	19	.904 (23.0)	1.060 (26.9)	1.176 (29.9)	1.330 (33.8)
20	21	.929 (23.6)	1.080 (27.4)	1.236 (31.4)	1.390 (35.3)
22	23	.956 (24.3)	1.120 (28.4)	1.296 (32.9)	1.470 (37.3)
24	25	.979 (24.9)	1.150 (29.2)	1.356 (34.4)	1.540 (39.1)

**TABLE II: STANDARD FINISHES**

GLENAIR SYMBOL	FINISH
B	Cadmium Plate, Olive Drab
M	Electroless Nickel
NF	Cadmium Plate, Olive Drab Over Electroless Nickel
See Inside Back Cover for Additional Finish Options	

**TABLE X: CABLE ENTRY**

Dash No.	T Max	V Max	Cable Range	
			Min	Max
04	.780 (19.8)	.957 (24.3)	.125 (3.2)	.312 (7.9)
06	.780 (19.8)	1.145 (29.1)	.250 (6.4)	.437 (11.1)
08	.780 (19.8)	1.332 (33.8)	.312 (7.9)	.562 (14.3)
10	.780 (19.8)	1.332 (33.8)	.350 (8.9)	.625 (15.9)
12	.811 (20.6)	1.551 (39.4)	.500 (12.7)	.750 (19.1)
16	.905 (23.0)	1.770 (45.0)	.625 (15.9)	.937 (23.8)
20	1.092 (27.7)	2.113 (53.7)	.875 (22.2)	1.250 (31.8)
24	1.124 (28.5)	2.363 (60.0)	1.000 (25.4)	1.375 (34.9)
28	1.399 (35.5)	2.770 (70.4)	1.250 (31.8)	1.625 (41.3)
32	1.399 (35.5)	3.020 (76.7)	1.437 (36.5)	1.875 (47.6)

- When maximum cable entry (page 21) is exceeded, Style 2 will be supplied. Dimensions F, G, H and J will not apply. Please consult factory.
- Metric dimensions (mm) are indicated in parentheses.
- Cable range is defined as the accommodations range for the wire bundle or cable. Dimensions shown are not intended for inspection criteria.
- Designate Symbol T for 3 ring termination of individual and overall braid. Designate D for standard 2 ring termination of individual or overall braid.

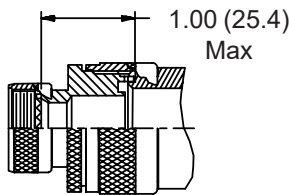
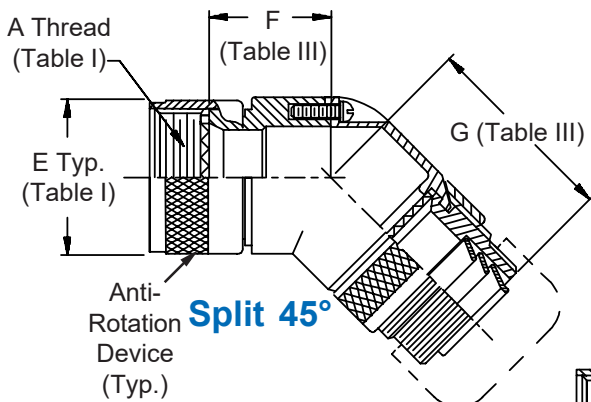
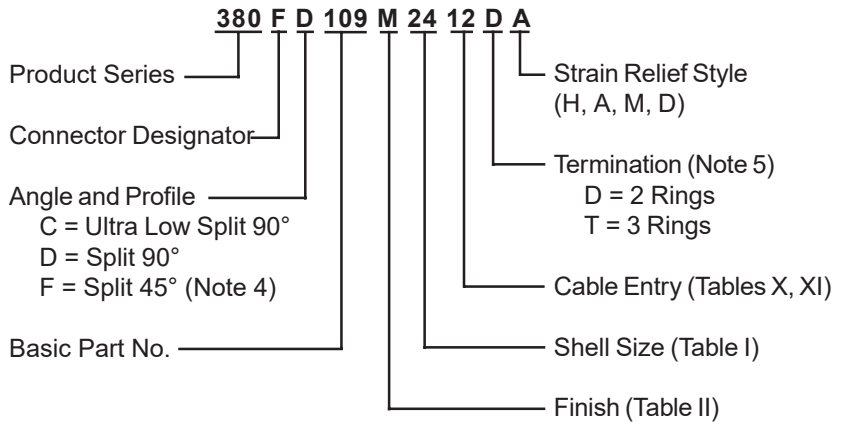
**TABLE XI: CABLE ENTRY**

Dash No.	W Max	X Max	Y Max	Z Max	Cable Range	
					Min **	Max
03*	.437 (11.1)	.760 (19.3)	.843 (21.4)	.630 (16.0)	.156 (4.0)	.250 (6.4)
04*	.437 (11.1)	.760 (19.3)	.906 (23.0)	.755 (19.2)	.188 (4.8)	.312 (7.9)
06*	.500 (12.7)	.760 (19.3)	1.093 (27.8)	.942 (23.9)	.281 (7.1)	.438 (11.1)
08	.563 (14.3)	.760 (19.3)	1.187 (30.1)	1.067 (27.1)	.344 (8.7)	.562 (14.3)
10	.563 (14.3)	.760 (19.3)	1.281 (32.5)	1.192 (30.3)	.375 (9.5)	.625 (15.9)
12	.563 (14.3)	.760 (19.3)	1.500 (38.1)	1.380 (35.1)	.438 (11.1)	.750 (19.1)
16	.656 (16.7)	1.073 (27.3)	1.719 (43.7)	1.535 (39.0)	.562 (14.3)	.938 (23.8)
20	.656 (16.7)	1.323 (33.6)	2.062 (52.4)	1.848 (46.9)	.750 (19.1)	1.250 (31.8)
24	.656 (16.7)	1.323 (33.6)	2.312 (58.7)	2.255 (57.3)	.781 (19.8)	1.375 (34.9)
28	1.188 (30.2)	1.572 (39.9)	2.719 (69.1)	2.505 (63.6)	.969 (24.6)	1.625 (41.3)
32*	1.187 (30.1)	1.572 (39.9)	2.969 (75.4)	2.755 (70.0)	1.125 (28.6)	1.875 (47.6)
40*	1.125 (28.6)	1.572 (39.9)	3.531 (89.7)	3.255 (82.7)	1.469 (37.3)	2.375 (60.3)

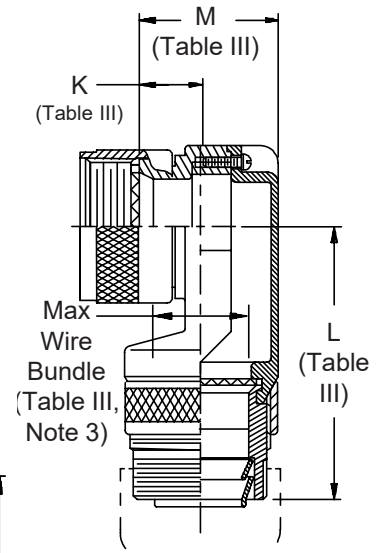
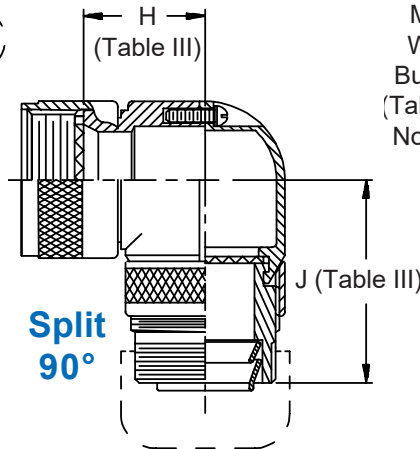
\* Not available in Style M clamp.      \*\* Not Applicable Style D

**CONNECTOR DESIGNATORS**  
**A-F-H-L-S**  
**SELF-LOCKING**  
**ROTATABLE**  
**COUPLING**

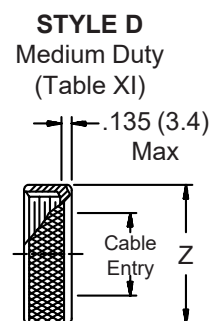
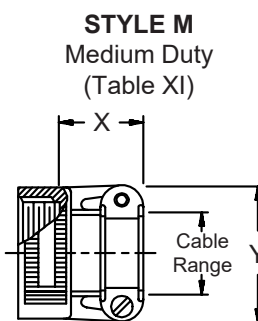
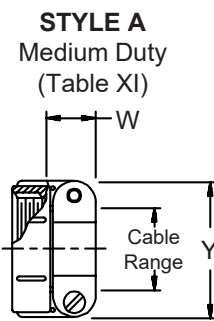
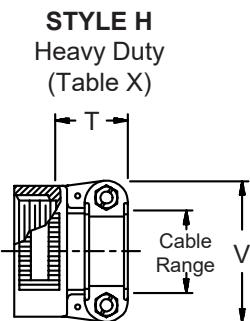
**TYPE E INDIVIDUAL AND/OR OVERALL SHIELD TERMINATION**



**STYLE 2**  
(See Note 1)



**Ultra Low-Profile Split 90°**





See inside back cover fold-out or pages 13 and 14 for unabridged Tables I and II.

TABLE III: ELBOW DIMENSIONS

Shell Size	F Max	G Max	H Max	J Ref	K Max	L Max	M Max	Function C Max Wire Bundle
08/09	.596 (15.1)	1.590 (40.4)	.836 (21.2)	1.530 (38.9)	.496 (12.6)	1.780 (45.2)	.837 (21.3)	.250 (6.4)
10/11	.656 (16.7)	1.650 (41.9)	.906 (23.0)	1.590 (40.4)	.426 (10.8)	1.940 (49.3)	.887 (22.5)	.375 (9.5)
12/13	.716 (18.2)	1.720 (43.7)	.966 (24.5)	1.660 (42.2)	.426 (10.8)	1.940 (49.3)	.887 (22.5)	.375 (9.5)
14/15	.776 (19.7)	1.750 (44.5)	1.026 (26.1)	1.690 (42.9)	.436 (11.1)	2.010 (51.1)	.987 (25.1)	.500 (12.7)
16/17	.836 (21.2)	1.850 (47.0)	1.086 (27.6)	1.790 (45.5)	.576 (14.6)	2.060 (52.3)	1.137 (28.9)	.625 (15.9)
18/19	.906 (23.0)	1.910 (48.5)	1.156 (29.4)	1.850 (47.0)	.796 (20.2)	2.090 (53.1)	1.337 (34.0)	.625 (15.9)
20/21	.976 (24.8)	1.970 (50.0)	1.216 (30.9)	1.910 (48.5)	.796 (20.2)	2.090 (53.1)	1.337 (34.0)	.625 (15.9)
22/23	1.036 (26.3)	2.030 (51.6)	1.276 (32.4)	1.970 (50.0)	.696 (17.7)	2.240 (56.9)	1.337 (34.0)	.750 (19.1)
24/25	1.096 (27.8)	2.090 (53.1)	1.336 (33.9)	2.030 (51.6)	.696 (17.7)	2.240 (56.9)	1.337 (34.0)	.750 (19.1)

TABLE X: CABLE ENTRY

Dash No.	T Max	V Max	Cable Range			
			Min	Max	Min	Max
04	.780 (19.8)	.957 (24.3)	.125 (3.2)	.312 (7.9)	.125 (3.2)	.312 (7.9)
06	.780 (19.8)	1.145 (29.1)	.250 (6.4)	.437 (11.1)	.250 (6.4)	.437 (11.1)
08	.780 (19.8)	1.332 (33.8)	.312 (7.9)	.562 (14.3)	.312 (7.9)	.562 (14.3)
10	.780 (19.8)	1.332 (33.8)	.350 (8.9)	.625 (15.9)	.350 (8.9)	.625 (15.9)
12	.811 (20.6)	1.551 (39.4)	.500 (12.7)	.750 (19.1)	.500 (12.7)	.750 (19.1)
16	.905 (23.0)	1.770 (45.0)	.625 (15.9)	.937 (23.8)	.625 (15.9)	.937 (23.8)
20	1.092 (27.7)	2.113 (53.7)	.875 (22.2)	1.250 (31.8)	.875 (22.2)	1.250 (31.8)
24	1.124 (28.5)	2.363 (60.0)	1.000 (25.4)	1.375 (34.9)	1.000 (25.4)	1.375 (34.9)
28	1.399 (35.5)	2.770 (70.4)	1.250 (31.8)	1.625 (41.3)	1.250 (31.8)	1.625 (41.3)
32	1.399 (35.5)	3.020 (76.7)	1.437 (36.5)	1.875 (47.6)	1.437 (36.5)	1.875 (47.6)

TABLE II: STANDARD FINISHES

GLENAIR SYMBOL	FINISH
B	Cadmium Plate, Olive Drab
M	Electroless Nickel
NF	Cadmium Plate, Olive Drab Over Electroless Nickel

See Inside Back Cover for Additional Finish Options

1. When maximum cable entry (page 21) is exceeded, Style 2 will be supplied (not available in Function C). Dimensions F, G, H and J will not apply. Please consult factory.

- 2. Metric dimensions (mm) are indicated in parentheses.
- 3. Cable range is defined as the accommodations range for the wire bundle or cable. Dimensions shown are not intended for inspection criteria.
- 4. Consult factory for available sizes of 45° (Symbol F).
- 5. Designate termination symbol T for 3 ring termination of individual and overall braid. Designate D for standard 2 ring termination of individual or overall braid.
- 6. Angular function "C", low-profile split elbow, not available with "S" connector designator.

TABLE XI: CABLE ENTRY

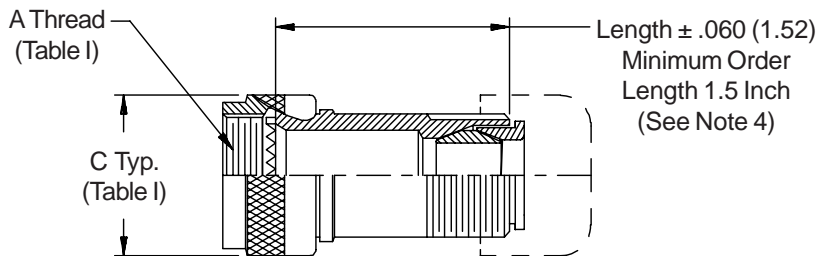
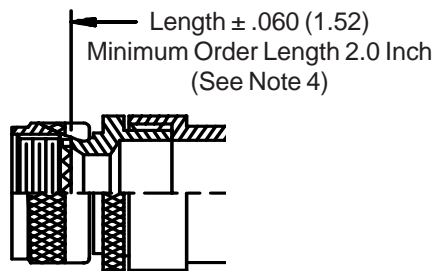
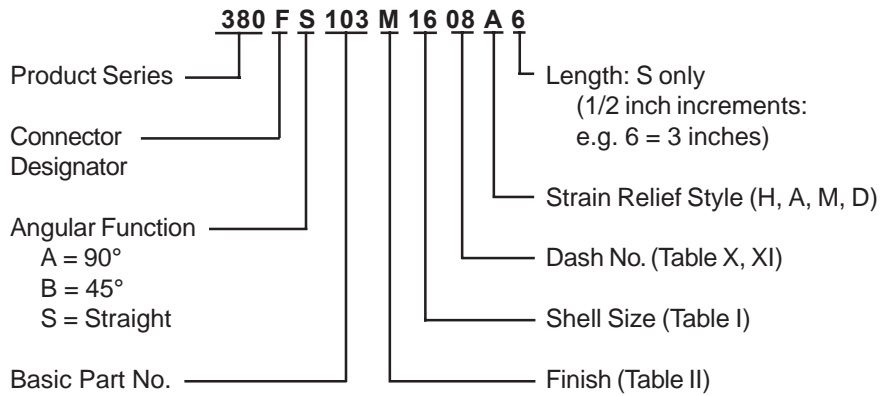
Dash No.	W Max	X Max	Y Max	Z Max	Cable Range	
					Min **	Max
03*	.437 (11.1)	.760 (19.3)	.843 (21.4)	.630 (16.0)	.156 (4.0)	.250 (6.4)
04*	.437 (11.1)	.760 (19.3)	.906 (23.0)	.755 (19.2)	.188 (4.8)	.312 (7.9)
06*	.500 (12.7)	.760 (19.3)	1.093 (27.8)	.942 (23.9)	.281 (7.1)	.438 (11.1)
08	.563 (14.3)	.760 (19.3)	1.187 (30.1)	1.067 (27.1)	.344 (8.7)	.562 (14.3)
10	.563 (14.3)	.760 (19.3)	1.281 (32.5)	1.192 (30.3)	.375 (9.5)	.625 (15.9)
12	.563 (14.3)	.760 (19.3)	1.500 (38.1)	1.380 (35.1)	.438 (11.1)	.750 (19.1)
16	.656 (16.7)	1.073 (27.3)	1.719 (43.7)	1.535 (39.0)	.562 (14.3)	.938 (23.8)
20	.656 (16.7)	1.323 (33.6)	2.062 (52.4)	1.848 (46.9)	.750 (19.1)	1.250 (31.8)
24	.656 (16.7)	1.323 (33.6)	2.312 (58.7)	2.255 (57.3)	.781 (19.8)	1.375 (34.9)
28	1.188 (30.2)	1.572 (39.9)	2.719 (69.1)	2.505 (63.6)	.969 (24.6)	1.625 (41.3)
32*	1.187 (30.1)	1.572 (39.9)	2.969 (75.4)	2.755 (70.0)	1.125 (28.6)	1.875 (47.6)
40*	1.125 (28.6)	1.572 (39.9)	3.531 (89.7)	3.255 (82.7)	1.469 (37.3)	2.375 (60.3)

\* Not available in Style M clamp.      \*\* Not Applicable Style D

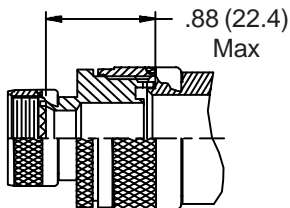


**CONNECTOR DESIGNATORS**  
**A-F-H-L-S**  
**ROTATABLE COUPLING**

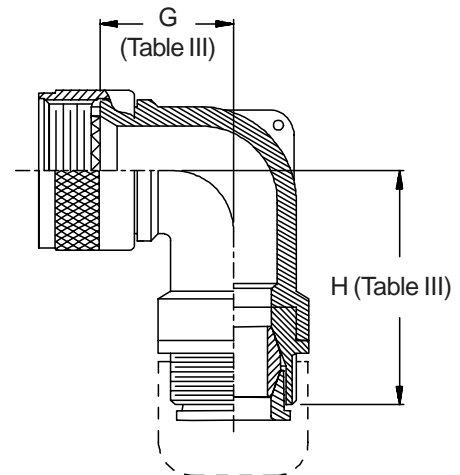
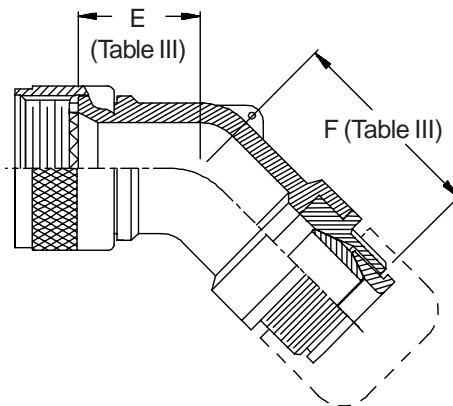
**TYPE F INDIVIDUAL AND/OR OVERALL SHIELD TERMINATION**



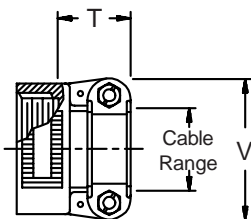
**STYLE 2 (STRAIGHT)**  
 See Note 1)



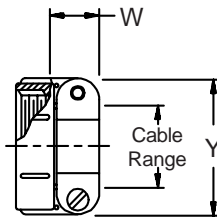
**STYLE 2 (45° & 90°)**  
 See Note 1)



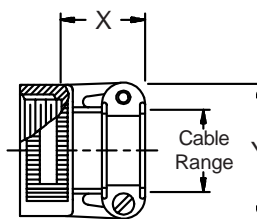
**STYLE H Heavy Duty**  
 (Table X)



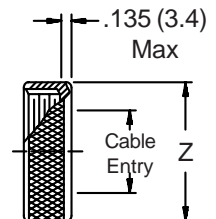
**STYLE A Medium Duty**  
 (Table XI)



**STYLE M Medium Duty**  
 (Table XI)



**STYLE D Medium Duty**  
 (Table XI)



**380-103**  
**EMI/RFI Non-Environmental Backshell**  
with Strain Relief  
**Type F - Rotatable Coupling - Low Profile**



**TABLE III: ELBOW DIMENSIONS**

Shell Size		E		F		G		H	
Conn. Desig.		Max		Max		Max		Max	
A-F-L-S	H								
08	09	.457	(11.6)	1.602	(40.7)	.500	(12.7)	1.612	(40.9)
10	11	.520	(13.2)	1.662	(42.2)	.595	(15.1)	1.732	(44.0)
12	13	.582	(14.8)	1.722	(43.7)	.610	(15.5)	1.752	(44.5)
14	15	.645	(16.4)	2.062	(52.4)	.700	(17.8)	2.072	(52.6)
16	17	.738	(18.7)	2.172	(55.2)	.885	(22.5)	2.162	(54.9)
18	19	.926	(23.5)	2.362	(60.0)	.975	(24.8)	2.332	(59.2)
20	21	.926	(23.5)	2.362	(60.0)	.975	(24.8)	2.332	(59.2)
22	23	1.020	(25.9)	2.512	(63.8)	1.125	(28.6)	2.442	(62.0)
24	25	1.020	(25.9)	2.512	(63.8)	1.125	(28.6)	2.442	(62.0)
28		1.145	(29.1)	2.562	(65.1)	1.225	(31.1)	2.612	(66.3)

**TABLE II: STANDARD FINISHES**

GLENAIR SYMBOL	FINISH
B	Cadmium Plate, Olive Drab
M	Electroless Nickel
NF	Cadmium Plate, Olive Drab Over Electroless Nickel

See Inside Back Cover for Additional Finish Options

**See inside back cover fold-out or pages 13 and 14 for unabridged Tables I and II.**

**TABLE X: CABLE ENTRY**

Dash No.	T Max	V Max	Cable Range	
			Min	Max
04	.780 (19.8)	.957 (24.3)	.125 (3.2)	.312 (7.9)
06	.780 (19.8)	1.145 (29.1)	.250 (6.4)	.437 (11.1)
08	.780 (19.8)	1.332 (33.8)	.312 (7.9)	.562 (14.3)
10	.780 (19.8)	1.332 (33.8)	.350 (8.9)	.625 (15.9)
12	.811 (20.6)	1.551 (39.4)	.500 (12.7)	.750 (19.1)
16	.905 (23.0)	1.770 (45.0)	.625 (15.9)	.937 (23.8)
20	1.092 (27.7)	2.113 (53.7)	.875 (22.2)	1.250 (31.8)
24	1.124 (28.5)	2.363 (60.0)	1.000 (25.4)	1.375 (34.9)
28	1.399 (35.5)	2.770 (70.4)	1.250 (31.8)	1.625 (41.3)
32	1.399 (35.5)	3.020 (76.7)	1.437 (36.5)	1.875 (47.6)

1. When maximum cable entry (page 21) is exceeded, Style 2 will be supplied. Dimensions E, F, G and H will not apply. Please consult factory.
2. Metric dimensions (mm) are indicated in parentheses.
3. Cable range is defined as the accommodations range for the wire bundle or cable. Dimensions shown are not intended for inspection criteria.
4. Consult factory for shorter lengths on straight backshells.

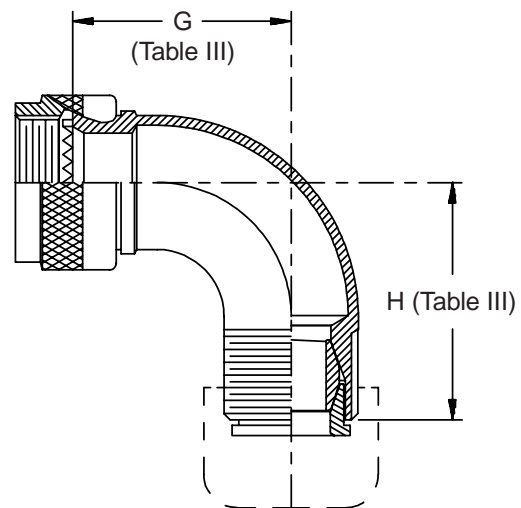
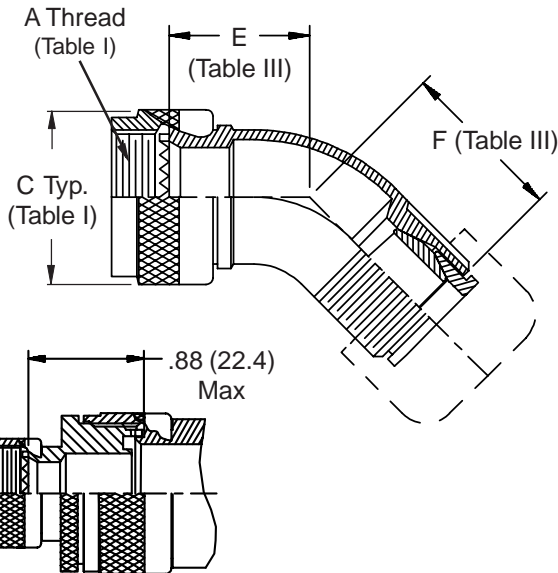
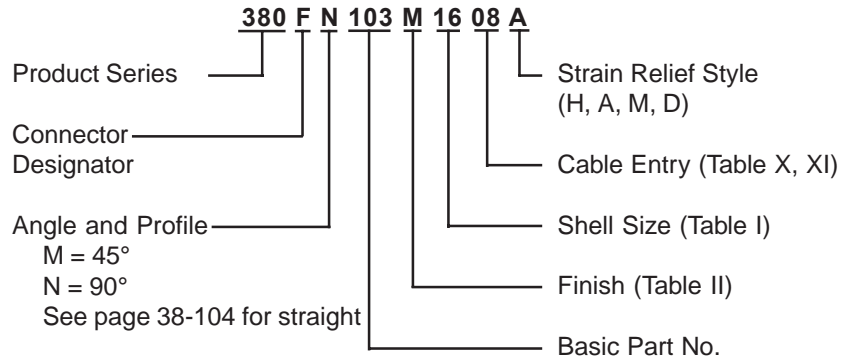
**TABLE XI: CABLE ENTRY**

Dash No.	W Max	X Max	Y Max	Z Max	Cable Range	
					Min **	Max
03*	.437 (11.1)	.760 (19.3)	.843 (21.4)	.630 (16.0)	.156 (4.0)	.250 (6.4)
04*	.437 (11.1)	.760 (19.3)	.906 (23.0)	.755 (19.2)	.188 (4.8)	.312 (7.9)
06*	.500 (12.7)	.760 (19.3)	1.093 (27.8)	.942 (23.9)	.281 (7.1)	.438 (11.1)
08	.563 (14.3)	.760 (19.3)	1.187 (30.1)	1.067 (27.1)	.344 (8.7)	.562 (14.3)
10	.563 (14.3)	.760 (19.3)	1.281 (32.5)	1.192 (30.3)	.375 (9.5)	.625 (15.9)
12	.563 (14.3)	.760 (19.3)	1.500 (38.1)	1.380 (35.1)	.438 (11.1)	.750 (19.1)
16	.656 (16.7)	1.073 (27.3)	1.719 (43.7)	1.535 (39.0)	.562 (14.3)	.938 (23.8)
20	.656 (16.7)	1.323 (33.6)	2.062 (52.4)	1.848 (46.9)	.750 (19.1)	1.250 (31.8)
24	.656 (16.7)	1.323 (33.6)	2.312 (58.7)	2.255 (57.3)	.781 (19.8)	1.375 (34.9)
28	1.188 (30.2)	1.572 (39.9)	2.719 (69.1)	2.505 (63.6)	.969 (24.6)	1.625 (41.3)
32	1.187 (30.1)	1.572 (39.9)	2.969 (75.4)	2.755 (70.0)	1.125 (28.6)	1.875 (47.6)

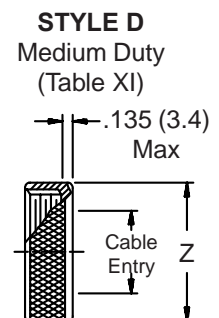
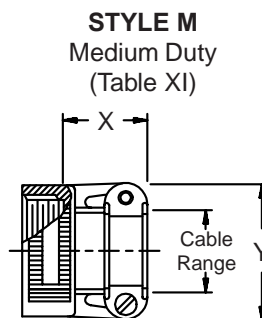
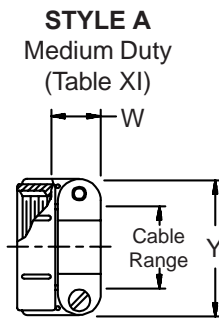
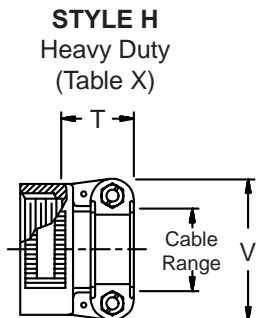
\* Not available in Style M clamp.      \*\* Not Applicable Style D

**CONNECTOR  
 DESIGNATORS  
 A-F-H-L-S  
 ROTATABLE  
 COUPLING**

**TYPE F INDIVIDUAL  
 AND/OR OVERALL  
 SHIELD TERMINATION**



**STYLE 2**  
 (See Note 1)



**380-103**  
**EMI/RFI Non-Environmental Backshell**  
**with Strain Relief**  
**Type F - Rotatable Coupling - Full Radius Profile**



**TABLE III: ELBOW DIMENSIONS**

Shell Size		E Max	F Max	G Max	H Max
Conn. Desig. A-F-L-S H					
08	09	.812 (20.6)	.875 (22.2)	1.125 (28.6)	1.188 (30.2)
10	11	.875 (22.2)	.938 (23.8)	1.250 (31.8)	1.312 (33.3)
12	13	.938 (23.8)	1.000 (25.4)	1.375 (34.9)	1.438 (36.5)
14	15	1.000 (25.4)	1.062 (27.0)	1.500 (38.1)	1.562 (39.7)
16	17	1.062 (27.0)	1.125 (28.6)	1.625 (41.3)	1.688 (42.9)
18	19	1.094 (27.8)	1.156 (29.4)	1.750 (44.5)	1.812 (46.0)
20	21	1.156 (29.4)	1.219 (31.0)	1.875 (47.6)	1.938 (49.2)
22	23	1.188 (30.2)	1.250 (31.8)	2.000 (50.8)	2.062 (52.4)
24	25	1.250 (31.8)	1.312 (33.3)	2.125 (54.0)	2.188 (55.6)
28		1.344 (34.1)	1.625 (41.3)	2.375 (60.3)	2.625 (66.7)

**TABLE II: STANDARD FINISHES**

GLENAIR SYMBOL	FINISH
B	Cadmium Plate, Olive Drab
M	Electroless Nickel
NF	Cadmium Plate, Olive Drab Over Electroless Nickel

See Inside Back Cover for Additional Finish Options

**See inside back cover fold-out or pages 13 and 14 for unabridged Tables I and II.**

**TABLE X: CABLE ENTRY**

Dash No.	T Max	V Max	Cable Range	
			Min	Max
04	.780 (19.8)	.957 (24.3)	.125 (3.2)	.312 (7.9)
06	.780 (19.8)	1.145 (29.1)	.250 (6.4)	.437 (11.1)
08	.780 (19.8)	1.332 (33.8)	.312 (7.9)	.562 (14.3)
10	.780 (19.8)	1.332 (33.8)	.350 (8.9)	.625 (15.9)
12	.811 (20.6)	1.551 (39.4)	.500 (12.7)	.750 (19.1)
16	.905 (23.0)	1.770 (45.0)	.625 (15.9)	.937 (23.8)
20	1.092 (27.7)	2.113 (53.7)	.875 (22.2)	1.250 (31.8)
24	1.124 (28.5)	2.363 (60.0)	1.000 (25.4)	1.375 (34.9)
28	1.399 (35.5)	2.770 (70.4)	1.250 (31.8)	1.625 (41.3)
32	1.399 (35.5)	3.020 (76.7)	1.437 (36.5)	1.875 (47.6)

1. When maximum cable entry (page 21) is exceeded, Style 2 will be supplied. Dimensions E, F, G and H will not apply. Please consult factory.
2. Metric dimensions (mm) are indicated in parentheses.
3. Cable range is defined as the accommodations range for the wire bundle or cable. Dimensions shown are not intended for inspection criteria.

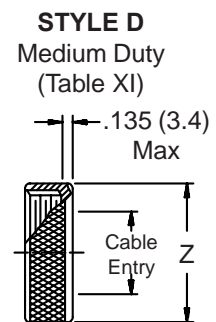
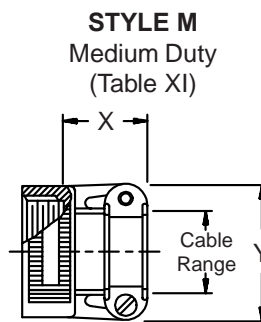
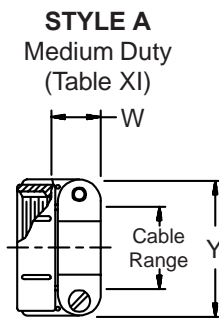
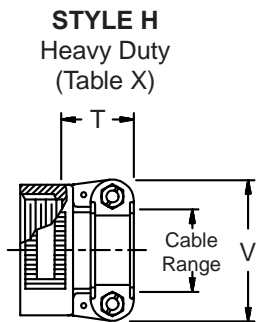
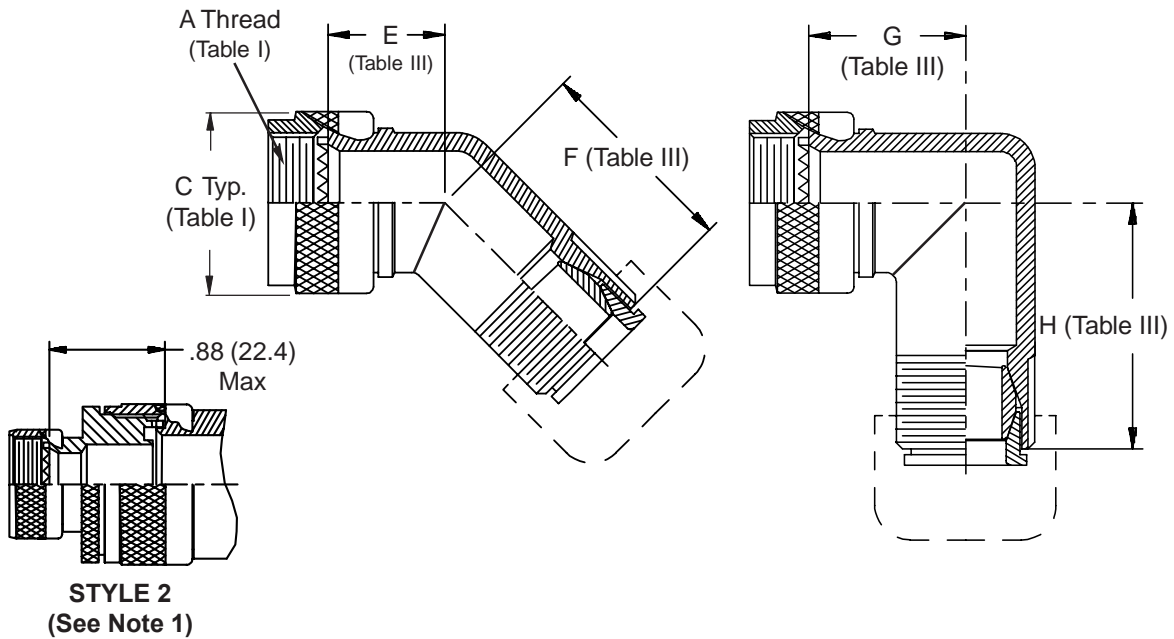
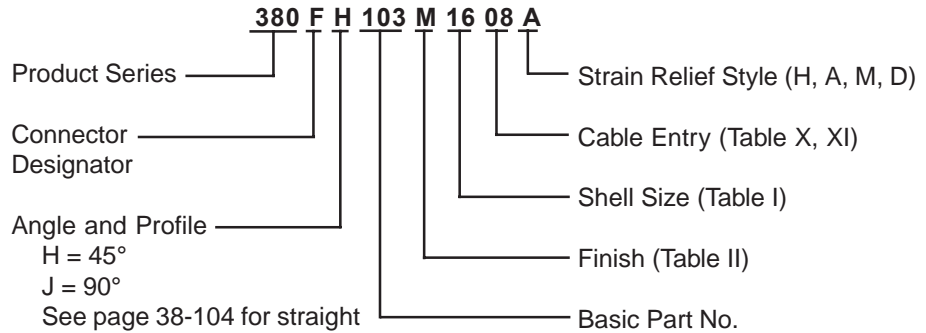
**TABLE XI: CABLE ENTRY**

Dash No.	W Max	X Max	Y Max	Z Max	Cable Range	
					Min **	Max
03*	.437 (11.1)	.760 (19.3)	.843 (21.4)	.630 (16.0)	.156 (4.0)	.250 (6.4)
04*	.437 (11.1)	.760 (19.3)	.906 (23.0)	.755 (19.2)	.188 (4.8)	.312 (7.9)
06*	.500 (12.7)	.760 (19.3)	1.093 (27.8)	.942 (23.9)	.281 (7.1)	.438 (11.1)
08	.563 (14.3)	.760 (19.3)	1.187 (30.1)	1.067 (27.1)	.344 (8.7)	.562 (14.3)
10	.563 (14.3)	.760 (19.3)	1.281 (32.5)	1.192 (30.3)	.375 (9.5)	.625 (15.9)
12	.563 (14.3)	.760 (19.3)	1.500 (38.1)	1.380 (35.1)	.438 (11.1)	.750 (19.1)
16	.656 (16.7)	1.073 (27.3)	1.719 (43.7)	1.535 (39.0)	.562 (14.3)	.938 (23.8)
20	.656 (16.7)	1.323 (33.6)	2.062 (52.4)	1.848 (46.9)	.750 (19.1)	1.250 (31.8)
24	.656 (16.7)	1.323 (33.6)	2.312 (58.7)	2.255 (57.3)	.781 (19.8)	1.375 (34.9)
28	1.188 (30.2)	1.572 (39.9)	2.719 (69.1)	2.505 (63.6)	.969 (24.6)	1.625 (41.3)
32*	1.187 (30.1)	1.572 (39.9)	2.969 (75.4)	2.755 (70.0)	1.125 (28.6)	1.875 (47.6)
40*	1.125 (28.6)	1.572 (39.9)	3.531 (89.7)	3.255 (82.7)	1.469 (37.3)	2.375 (60.3)

\* Not available in Style M clamp.      \*\* Not Applicable Style D

**CONNECTOR  
DESIGNATORS  
A-F-H-L-S  
ROTATABLE  
COUPLING**

**TYPE F INDIVIDUAL  
AND/OR OVERALL  
SHIELD TERMINATION**



**380-103**  
**EMI/RFI Non-Environmental Backshell**  
 with Strain Relief  
 Type F - Rotatable Coupling - Standard Profile



**TABLE III: ELBOW DIMENSIONS**

Shell Size		E Max	F Max	G Max	H Max
Conn. Desig.	A-F-L-S H				
08	09	.639 (16.2)	1.015 (25.8)	.750 (19.1)	1.125 (28.6)
10	11	.664 (16.9)	1.045 (26.5)	.810 (20.6)	1.185 (30.1)
12	13	.688 (17.5)	1.065 (27.1)	.870 (22.1)	1.245 (31.6)
14	15	.705 (17.9)	1.095 (27.8)	.920 (23.4)	1.315 (33.4)
16	17	.732 (18.6)	1.115 (28.3)	.980 (24.9)	1.375 (34.9)
18	19	.748 (19.0)	1.125 (28.6)	1.020 (25.9)	1.395 (35.4)
20	21	.773 (19.6)	1.145 (29.1)	1.080 (27.4)	1.445 (36.7)
22	23	.800 (20.3)	1.185 (30.1)	1.140 (29.0)	1.535 (39.0)
24	25	.823 (20.9)	1.215 (30.9)	1.200 (30.5)	1.605 (40.8)

**TABLE II: STANDARD FINISHES**

GLENAIR SYMBOL	FINISH
B	Cadmium Plate, Olive Drab
M	Electroless Nickel
NF	Cadmium Plate, Olive Drab Over Electroless Nickel

See Inside Back Cover  
for Additional Finish Options

**See inside back cover  
fold-out or pages 13 and  
14 for unabridged  
Tables I and II.**

**TABLE X: CABLE ENTRY**

Dash No.	T Max	V Max	Cable Range	
			Min	Max
04	.780 (19.8)	.957 (24.3)	.125 (3.2)	.312 (7.9)
06	.780 (19.8)	1.145 (29.1)	.250 (6.4)	.437 (11.1)
08	.780 (19.8)	1.332 (33.8)	.312 (7.9)	.562 (14.3)
10	.780 (19.8)	1.332 (33.8)	.350 (8.9)	.625 (15.9)
12	.811 (20.6)	1.551 (39.4)	.500 (12.7)	.750 (19.1)
16	.905 (23.0)	1.770 (45.0)	.625 (15.9)	.937 (23.8)
20	1.092 (27.7)	2.113 (53.7)	.875 (22.2)	1.250 (31.8)
24	1.124 (28.5)	2.363 (60.0)	1.000 (25.4)	1.375 (34.9)
28	1.399 (35.5)	2.770 (70.4)	1.250 (31.8)	1.625 (41.3)
32	1.399 (35.5)	3.020 (76.7)	1.437 (36.5)	1.875 (47.6)

1. When maximum cable entry (page 21) is exceeded, Style 2 will be supplied. Dimensions E, F, G and H will not apply. Please consult factory.
2. Metric dimensions (mm) are indicated in parentheses.
3. Cable range is defined as the accommodations range for the wire bundle or cable. Dimensions shown are not intended for inspection criteria.
4. -445 modification not available for MIL-DTL-38999 Series II.

**TABLE XI: CABLE ENTRY**

Dash No.	W Max	X Max	Y Max	Z Max	Cable Range	
					Min **	Max
03*	.437 (11.1)	.760 (19.3)	.843 (21.4)	.630 (16.0)	.156 (4.0)	.250 (6.4)
04*	.437 (11.1)	.760 (19.3)	.906 (23.0)	.755 (19.2)	.188 (4.8)	.312 (7.9)
06*	.500 (12.7)	.760 (19.3)	1.093 (27.8)	.942 (23.9)	.281 (7.1)	.438 (11.1)
08	.563 (14.3)	.760 (19.3)	1.187 (30.1)	1.067 (27.1)	.344 (8.7)	.562 (14.3)
10	.563 (14.3)	.760 (19.3)	1.281 (32.5)	1.192 (30.3)	.375 (9.5)	.625 (15.9)
12	.563 (14.3)	.760 (19.3)	1.500 (38.1)	1.380 (35.1)	.438 (11.1)	.750 (19.1)
16	.656 (16.7)	1.073 (27.3)	1.719 (43.7)	1.535 (39.0)	.562 (14.3)	.938 (23.8)
20	.656 (16.7)	1.323 (33.6)	2.062 (52.4)	1.848 (46.9)	.750 (19.1)	1.250 (31.8)
24	.656 (16.7)	1.323 (33.6)	2.312 (58.7)	2.255 (57.3)	.781 (19.8)	1.375 (34.9)
28	1.188 (30.2)	1.572 (39.9)	2.719 (69.1)	2.505 (63.6)	.969 (24.6)	1.625 (41.3)
32*	1.187 (30.1)	1.572 (39.9)	2.969 (75.4)	2.755 (70.0)	1.125 (28.6)	1.875 (47.6)
40*	1.125 (28.6)	1.572 (39.9)	3.531 (89.7)	3.255 (82.7)	1.469 (37.3)	2.375 (60.3)

\* Not available in Style M clamp.      \*\* Not Applicable Style D

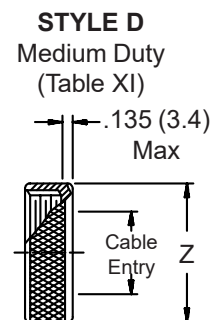
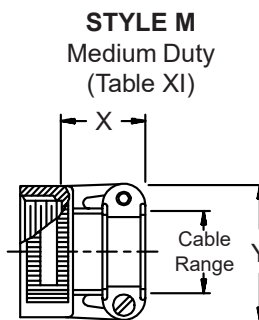
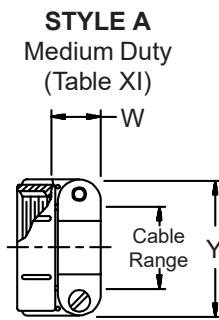
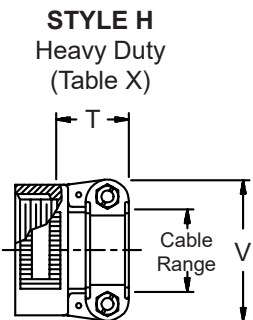
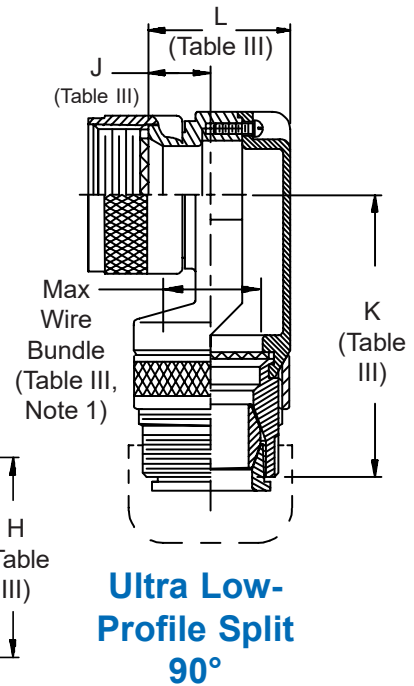
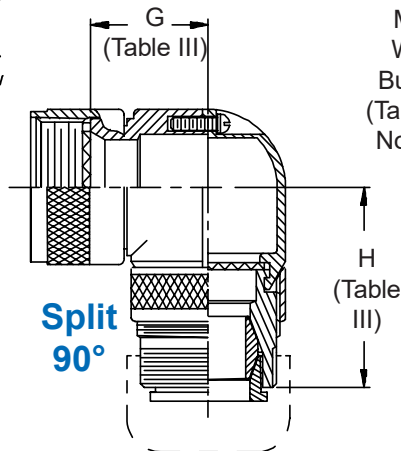
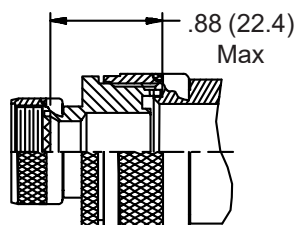
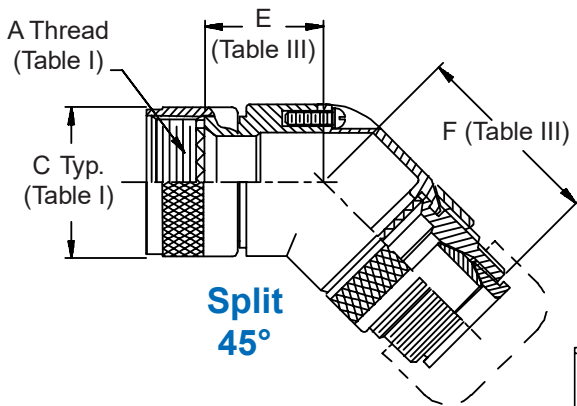
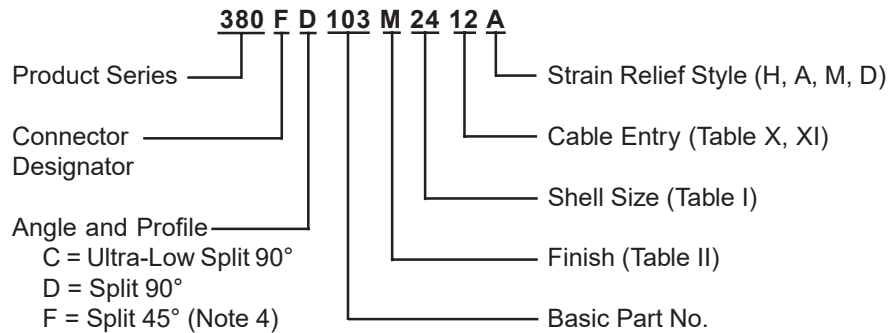
**-445**

Add "-445" to Specify Glenair's Non-Detent, ("NESTOR") Spring-Loaded, Self-Locking Coupling. See Page 41 for Details.



**CONNECTOR  
DESIGNATORS  
A-F-H-L-S  
ROTATABLE  
COUPLING**

**TYPE F INDIVIDUAL  
AND/OR OVERALL  
SHIELD TERMINATION**



**380-103**  
**EMI/RFI Non-Environmental Backshell**  
with Strain Relief  
**Type F - Rotatable Coupling - Split Shell**



**TABLE III: ELBOW DIMENSIONS**

Shell Size	E Max	F Max	G Max	H Max	J Ref	K Max	L Max	Function C Max Wire Bundle
08/09	.440 (11.2)	1.590 (40.4)	.680 (17.3)	1.530 (38.9)	.340 (8.6)	1.780 (45.2)	.681 (17.3)	.250 (6.4)
10/11	.500 (12.7)	1.650 (41.9)	.750 (19.1)	1.590 (40.4)	.270 (6.9)	1.940 (49.3)	.731 (18.6)	.375 (9.5)
12/13	.560 (14.2)	1.720 (43.7)	.810 (20.6)	1.660 (42.2)	.270 (6.9)	1.940 (49.3)	.731 (18.6)	.375 (9.5)
14/15	.620 (15.7)	1.750 (44.5)	.870 (22.1)	1.690 (42.9)	.280 (7.1)	2.010 (51.1)	.831 (21.1)	.500 (12.7)
16/17	.680 (17.3)	1.850 (47.0)	.930 (23.6)	1.790 (45.5)	.420 (10.7)	2.060 (52.3)	.981 (24.9)	.625 (15.9)
18/19	.750 (19.1)	1.910 (48.5)	1.000 (25.4)	1.850 (47.0)	.640 (16.3)	2.090 (53.1)	1.181 (30.0)	.625 (15.9)
20/21	.820 (20.8)	1.970 (50.0)	1.060 (26.9)	1.910 (48.5)	.640 (16.3)	2.090 (53.1)	1.181 (30.0)	.625 (15.9)
22/23	.880 (22.4)	2.030 (51.6)	1.120 (28.4)	1.970 (50.0)	.540 (13.7)	2.240 (56.9)	1.181 (30.0)	.750 (19.1)
24/25	.940 (23.9)	2.090 (53.1)	1.180 (30.0)	2.030 (51.6)	.540 (13.7)	2.240 (56.9)	1.181 (30.0)	.750 (19.1)

**TABLE X: CABLE ENTRY**

Dash No.	T Max	V Max	Cable Range	
			Min	Max
04	.780 (19.8)	.957 (24.3)	.125 (3.2)	.312 (7.9)
06	.780 (19.8)	1.145 (29.1)	.250 (6.4)	.437 (11.1)
08	.780 (19.8)	1.332 (33.8)	.312 (7.9)	.562 (14.3)
10	.780 (19.8)	1.332 (33.8)	.350 (8.9)	.625 (15.9)
12	.811 (20.6)	1.551 (39.4)	.500 (12.7)	.750 (19.1)
16	.905 (23.0)	1.770 (45.0)	.625 (15.9)	.937 (23.8)
20	1.092 (27.7)	2.113 (53.7)	.875 (22.2)	1.250 (31.8)
24	1.124 (28.5)	2.363 (60.0)	1.000 (25.4)	1.375 (34.9)
28	1.399 (35.5)	2.770 (70.4)	1.250 (31.8)	1.625 (41.3)

**TABLE II: STANDARD FINISHES**

GLENAIR SYMBOL	FINISH
B	Cadmium Plate, Olive Drab
M	Electroless Nickel
NF	Cadmium Plate, Olive Drab Over Electroless Nickel

See Inside Back Cover  
for Additional Finish Options

See inside back cover  
fold-out or pages 13 and  
14 for unabridged  
Tables I and II.

1. When maximum cable entry (page 21) is exceeded, Style 2 will be supplied (not available in Function C). Dimensions E, F, G and H will not apply. Please consult factory.
2. Metric dimensions (mm) are indicated in parentheses.
3. Cable range is defined as the accommodations range for the wire bundle or cable. Dimensions shown are not intended for inspection criteria.
4. Consult factory for available sizes of 45° (Function F).
5. Angular function "C", low-profile split elbow, not available with "S" connector designator.

**TABLE XI: CABLE ENTRY**

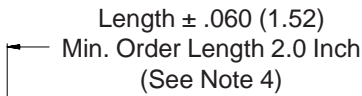
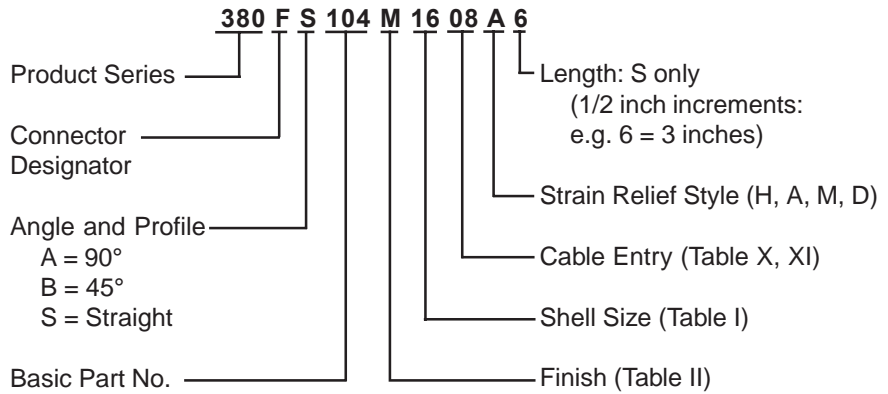
Dash No.	W Max	X Max	Y Max	Z Max	Cable Range	
					Min **	Max
03*	.437 (11.1)	.760 (19.3)	.843 (21.4)	.630 (16.0)	.156 (4.0)	.250 (6.4)
04*	.437 (11.1)	.760 (19.3)	.906 (23.0)	.755 (19.2)	.188 (4.8)	.312 (7.9)
06*	.500 (12.7)	.760 (19.3)	1.093 (27.8)	.942 (23.9)	.281 (7.1)	.438 (11.1)
08	.563 (14.3)	.760 (19.3)	1.187 (30.1)	1.067 (27.1)	.344 (8.7)	.562 (14.3)
10	.563 (14.3)	.760 (19.3)	1.281 (32.5)	1.192 (30.3)	.375 (9.5)	.625 (15.9)
12	.563 (14.3)	.760 (19.3)	1.500 (38.1)	1.380 (35.1)	.438 (11.1)	.750 (19.1)
16	.656 (16.7)	1.073 (27.3)	1.719 (43.7)	1.535 (39.0)	.562 (14.3)	.938 (23.8)
20	.656 (16.7)	1.323 (33.6)	2.062 (52.4)	1.848 (46.9)	.750 (19.1)	1.250 (31.8)
24	.656 (16.7)	1.323 (33.6)	2.312 (58.7)	2.255 (57.3)	.781 (19.8)	1.375 (34.9)
28	1.188 (30.2)	1.572 (39.9)	2.719 (69.1)	2.505 (63.6)	.969 (24.6)	1.625 (41.3)

\* Not available in Style M clamp.      \*\* Not Applicable Style D

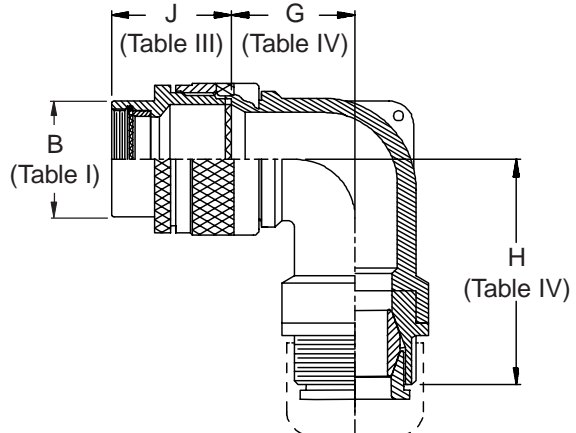
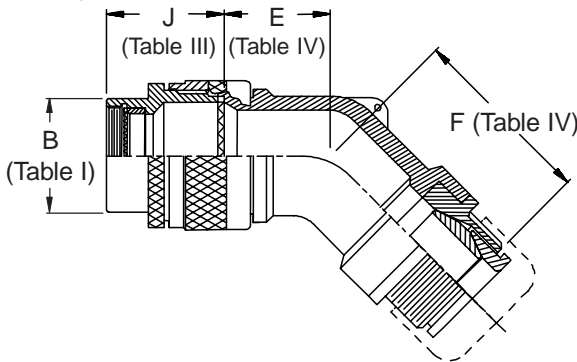
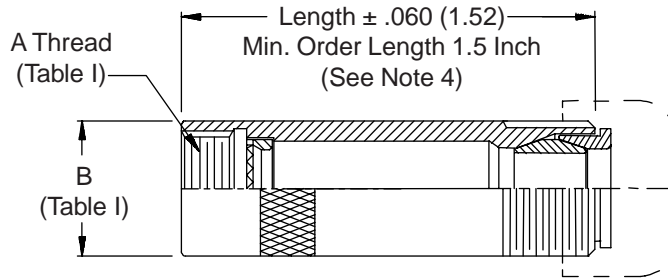
**CONNECTOR  
 DESIGNATORS**  
**A-B\*-C-D-E-F**  
**G-H-J-K-L-S**

\* Conn. Desig. B See Note 5  
**DIRECT COUPLING**

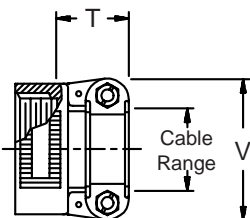
**TYPE F INDIVIDUAL  
 AND/OR OVERALL  
 SHIELD TERMINATION**



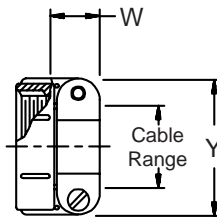
**STYLE 2  
 (STRAIGHT  
 See Note 1)**



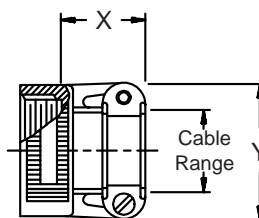
**STYLE H  
 Heavy Duty  
 (Table X)**



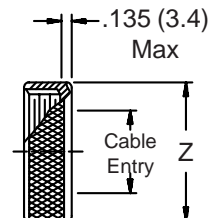
**STYLE A  
 Medium Duty  
 (Table XI)**



**STYLE M  
 Medium Duty  
 (Table XI)**



**STYLE D  
 Medium Duty  
 (Table XI)**



**380-104**  
**EMI/RFI Non-Environmental Backshell**  
with Strain Relief  
Type F - Direct Coupling - Low Profile



**TABLE III: FRONT ADAPTER**

Shell Size	J Max - Conn. Designator		
	A-E-F		
	J-H-L-S	D-B-G-K	C
08/09	1.180 (30.0)	1.440 (36.6)	
10/11	1.180 (30.0)	1.440 (36.6)	
12/13	1.180 (30.0)	1.440 (36.6)	1.735 (44.1)
14/15	1.180 (30.0)	1.440 (36.6)	1.915 (48.6)
16/17	1.380 (35.0)	1.560 (39.6)	1.915 (48.6)
18/19	1.380 (35.0)	1.560 (39.6)	1.915 (48.6)
20/21	1.380 (35.0)	1.560 (39.6)	1.915 (48.6)
22/23	1.380 (35.0)	1.560 (39.6)	1.915 (48.6)
24/25	1.380 (35.0)	1.560 (39.6)	1.915 (48.6)
28/29	1.610 (40.9)	1.560 (39.6)	1.915 (48.6)
32/33	1.610 (40.9)	1.750 (44.5)	1.915 (48.6)
36	1.610 (40.9)	1.750 (44.5)	1.915 (48.6)
40	1.610 (40.9)	2.190 (55.6)	1.915 (48.6)

**TABLE IV: ELBOW DIMENSIONS**

Elbow Size	E Max	F Max	G Max	H Max
03	.457 (11.6)	1.602 (40.7)	.500 (12.7)	1.612 (40.9)
04	.457 (11.6)	1.662 (42.2)	.500 (12.7)	1.732 (44.0)
06	.520 (13.2)	1.722 (43.7)	.595 (15.1)	1.752 (44.5)
08	.582 (14.8)	2.062 (52.4)	.610 (15.5)	2.072 (52.6)
10	.645 (16.4)	2.172 (55.2)	.700 (17.8)	2.162 (54.9)
12	.738 (18.7)	2.362 (60.0)	.885 (22.5)	2.332 (59.2)
16	.926 (23.5)	2.362 (60.0)	.975 (24.8)	2.332 (59.2)
20	1.020 (25.9)	2.512 (63.8)	1.125 (28.6)	2.442 (62.0)
24	1.145 (29.1)	2.512 (63.8)	1.225 (31.1)	2.442 (62.0)
28	1.207 (30.7)	2.562 (65.1)	1.575 (40.0)	2.612 (66.3)
32	1.238 (31.4)	2.662 (67.6)	1.775 (45.1)	2.862 (72.7)

See inside back cover fold-out or pages 13 and 14  
for unabridged Tables I and II.

**TABLE II: STANDARD FINISHES**

GLENAIR SYMBOL	FINISH
B	Cadmium Plate, Olive Drab
M	Electroless Nickel
NF	Cadmium Plate, Olive Drab Over Electroless Nickel

See Inside Back Cover  
for Additional Finish Options

**TABLE X: CABLE ENTRY**

Dash No.	T Max	V Max	Cable Range			
			Min		Max	
04	.780 (19.8)	.957 (24.3)	.125 (3.2)	.312 (7.9)		
06	.780 (19.8)	1.145 (29.1)	.250 (6.4)	.437 (11.1)		
08	.780 (19.8)	1.332 (33.8)	.312 (7.9)	.562 (14.3)		
10	.780 (19.8)	1.332 (33.8)	.350 (8.9)	.625 (15.9)		
12	.811 (20.6)	1.551 (39.4)	.500 (12.7)	.750 (19.1)		
16	.905 (23.0)	1.770 (45.0)	.625 (15.9)	.937 (23.8)		
20	1.092 (27.7)	2.113 (53.7)	.875 (22.2)	1.250 (31.8)		
24	1.124 (28.5)	2.363 (60.0)	1.000 (25.4)	1.375 (34.9)		
28	1.399 (35.5)	2.770 (70.4)	1.250 (31.8)	1.625 (41.3)		
32	1.399 (35.5)	3.020 (76.7)	1.437 (36.5)	1.875 (47.6)		

- When maximum cable entry (page 22) is exceeded, Style 2 will be supplied. Dimensions E, F, G and H will not apply. Please consult factory.
- Metric dimensions (mm) are indicated in parentheses.
- Cable range is defined as the accommodations range for the wire bundle or cable. Dimensions shown are not intended for inspection criteria.
- Consult factory for shorter lengths on straight backshells.
- When using Connector Designator B refer to pages 18 and 19 for part number development.

**TABLE XI: CABLE ENTRY**

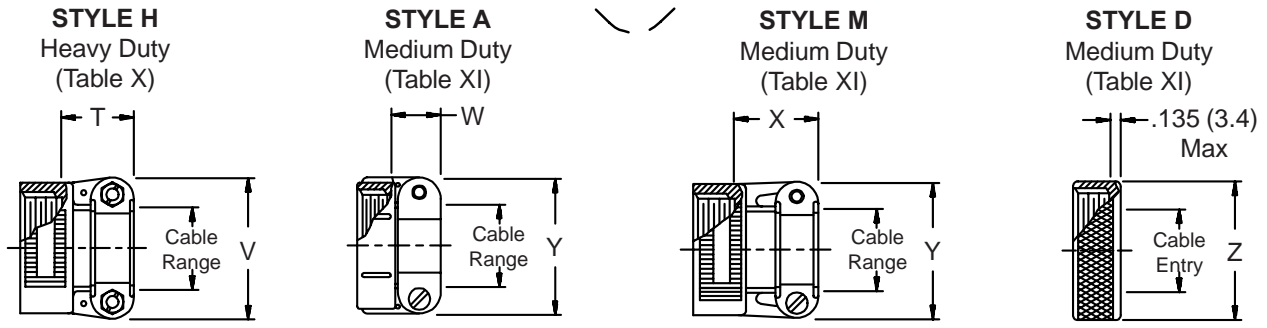
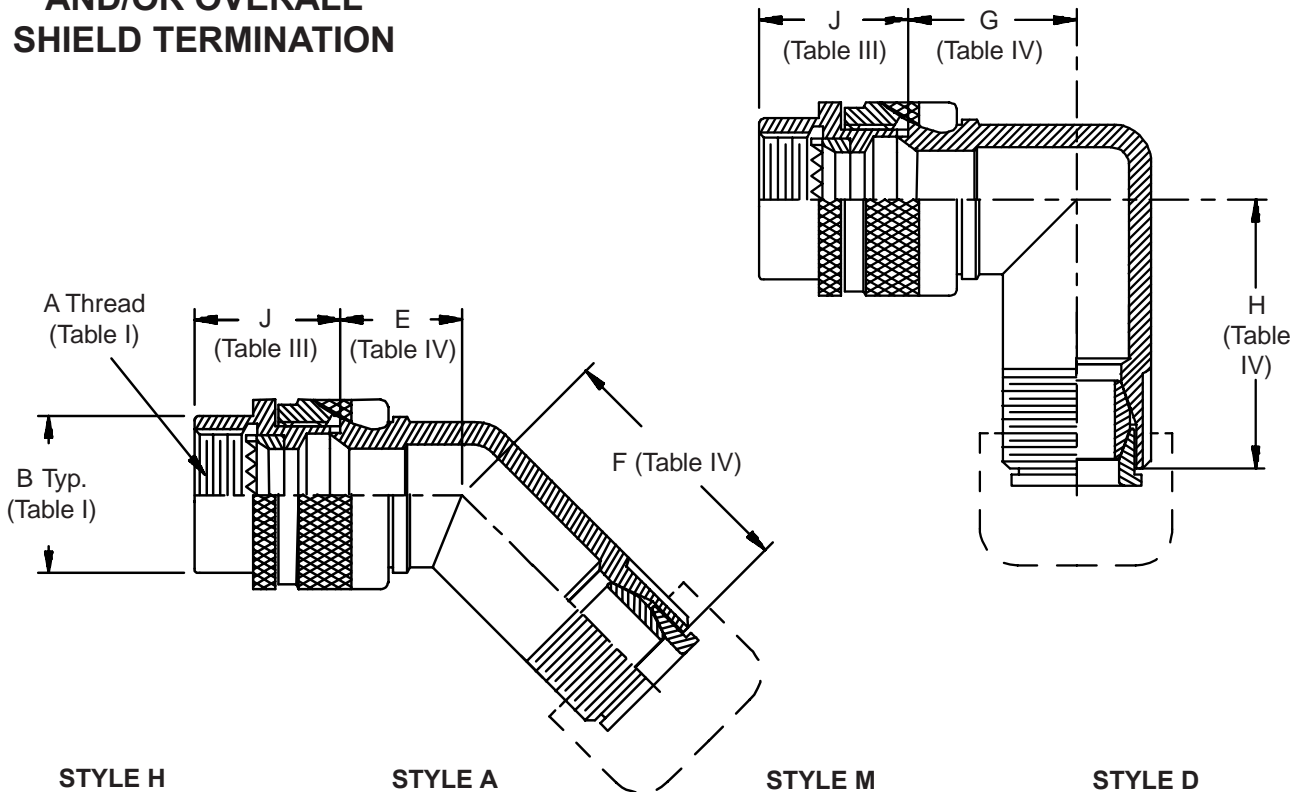
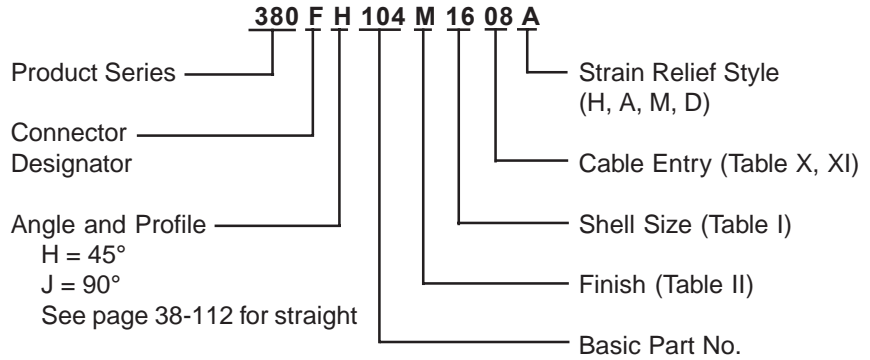
Dash No.	W Max	X Max	Y Max	Z Max	Cable Range		
					Min **		Max
03*	.437 (11.1)	.760 (19.3)	.843 (21.4)	.630 (16.0)	.156 (4.0)	.250 (6.4)	
04*	.437 (11.1)	.760 (19.3)	.906 (23.0)	.755 (19.2)	.188 (4.8)	.312 (7.9)	
06*	.500 (12.7)	.760 (19.3)	1.093 (27.8)	.942 (23.9)	.281 (7.1)	.438 (11.1)	
08	.563 (14.3)	.760 (19.3)	1.187 (30.1)	1.067 (27.1)	.344 (8.7)	.562 (14.3)	
10	.563 (14.3)	.760 (19.3)	1.281 (32.5)	1.192 (30.3)	.375 (9.5)	.625 (15.9)	
12	.563 (14.3)	.760 (19.3)	1.500 (38.1)	1.380 (35.1)	.438 (11.1)	.750 (19.1)	
16	.656 (16.7)	1.073 (27.3)	1.719 (43.7)	1.535 (39.0)	.562 (14.3)	.938 (23.8)	
20	.656 (16.7)	1.323 (33.6)	2.062 (52.4)	1.848 (46.9)	.750 (19.1)	1.250 (31.8)	
24	.656 (16.7)	1.323 (33.6)	2.312 (58.7)	2.255 (57.3)	.781 (19.8)	1.375 (34.9)	
28	1.188 (30.2)	1.572 (39.9)	2.719 (69.1)	2.505 (63.6)	.969 (24.6)	1.625 (41.3)	
32*	1.187 (30.1)	1.572 (39.9)	2.969 (75.4)	2.755 (70.0)	1.125 (28.6)	1.875 (47.6)	

\* Not available in Style M clamp.      \*\* Not Applicable Style D

**CONNECTOR  
DESIGNATORS**  
**A-B\*-C-D-E-F**  
**G-H-J-K-L-S**

\* Conn. Desig. B See Note 3  
**DIRECT COUPLING**

**TYPE F INDIVIDUAL  
AND/OR OVERALL  
SHIELD TERMINATION**



380-104  
EMI/RFI Non-Environmental Backshell  
with Strain Relief  
Type F - Direct Coupling - Standard Profile



**TABLE III: FRONT ADAPTER**

Shell Size	J Max - Conn. Designator		
	A-E-F		
	J-H-L-S	D-B-G-K	C
08/09	1.180 (30.0)	1.440 (36.6)	
10/11	1.180 (30.0)	1.440 (36.6)	
12/13	1.180 (30.0)	1.440 (36.6)	1.735 (44.1)
14/15	1.180 (30.0)	1.440 (36.6)	1.915 (48.6)
16/17	1.380 (35.0)	1.560 (39.6)	1.915 (48.6)
18/19	1.380 (35.0)	1.560 (39.6)	1.915 (48.6)
20/21	1.380 (35.0)	1.560 (39.6)	1.915 (48.6)
22/23	1.380 (35.0)	1.560 (39.6)	1.915 (48.6)
24/25	1.380 (35.0)	1.560 (39.6)	1.915 (48.6)
28/29	1.610 (40.9)	1.560 (39.6)	1.915 (48.6)
32/33	1.610 (40.9)	1.750 (44.5)	1.915 (48.6)
36	1.610 (40.9)	1.750 (44.5)	1.915 (48.6)
40	1.610 (40.9)	2.190 (55.6)	1.915 (48.6)

**TABLE IV: ELBOW DIMENSIONS**

Elbow Size	E Max	F Max	G Max	H Max
03	.664 (16.9)	.982 (24.9)	.810 (20.6)	1.122 (28.5)
04	.688 (17.5)	1.002 (25.5)	.870 (22.1)	1.182 (30.0)
06	.705 (17.9)	1.032 (26.2)	.920 (23.4)	1.252 (31.8)
08	.732 (18.6)	1.052 (26.7)	.980 (24.9)	1.312 (33.3)
10	.732 (18.6)	1.052 (26.7)	.980 (24.9)	1.312 (33.3)
12	.773 (19.6)	1.082 (27.5)	1.080 (27.4)	1.392 (35.4)
16	.823 (20.9)	1.152 (29.3)	1.200 (30.5)	1.542 (39.2)
20	1.041 (26.4)	1.322 (33.6)	1.480 (37.6)	1.782 (45.3)
24	1.092 (27.7)	1.362 (34.6)	1.610 (40.9)	1.872 (47.5)
28	1.138 (28.9)	1.412 (35.9)	1.720 (43.7)	1.982 (50.3)
32	1.184 (30.1)	1.452 (36.9)	1.830 (46.5)	2.092 (53.1)
40	1.287 (32.7)	1.552 (39.4)	2.080 (52.8)	2.342 (59.5)

See inside back cover fold-out or pages 13 and 14 for unabridged Tables I and II.

**TABLE X: CABLE ENTRY**

Dash No.	T Max	V Max	Cable Range			
			Min		Max	
04	.780 (19.8)	.957 (24.3)	.125 (3.2)	.312 (7.9)		
06	.780 (19.8)	1.145 (29.1)	.250 (6.4)	.437 (11.1)		
08	.780 (19.8)	1.332 (33.8)	.312 (7.9)	.562 (14.3)		
10	.780 (19.8)	1.332 (33.8)	.350 (8.9)	.625 (15.9)		
12	.811 (20.6)	1.551 (39.4)	.500 (12.7)	.750 (19.1)		
16	.905 (23.0)	1.770 (45.0)	.625 (15.9)	.937 (23.8)		
20	1.092 (27.7)	2.113 (53.7)	.875 (22.2)	1.250 (31.8)		
24	1.124 (28.5)	2.363 (60.0)	1.000 (25.4)	1.375 (34.9)		
28	1.399 (35.5)	2.770 (70.4)	1.250 (31.8)	1.625 (41.3)		
32	1.399 (35.5)	3.020 (76.7)	1.437 (36.5)	1.875 (47.6)		

**TABLE II: STANDARD FINISHES**

SYMBOL	FINISH
B	Cadmium Plate, Olive Drab
M	Electroless Nickel
NF	Cadmium Plate, Olive Drab Over Electroless Nickel

See Inside Back Cover for Additional Finish Options

1. Metric dimensions (mm) are indicated in parentheses.
2. Cable range is defined as the accommodations range for the wire bundle or cable. Dimensions shown are not intended for inspection criteria.
3. When using Connector Designator B refer to pages 18 and 19 for part number development.

**TABLE XI: CABLE ENTRY**

Dash No.	W Max	X Max	Y Max	Z Max	Cable Range	
					Min **	Max
03*	.437 (11.1)	.760 (19.3)	.843 (21.4)	.630 (16.0)	.156 (4.0)	.250 (6.4)
04*	.437 (11.1)	.760 (19.3)	.906 (23.0)	.755 (19.2)	.188 (4.8)	.312 (7.9)
06*	.500 (12.7)	.760 (19.3)	1.093 (27.8)	.942 (23.9)	.281 (7.1)	.438 (11.1)
08	.563 (14.3)	.760 (19.3)	1.187 (30.1)	1.067 (27.1)	.344 (8.7)	.562 (14.3)
10	.563 (14.3)	.760 (19.3)	1.281 (32.5)	1.192 (30.3)	.375 (9.5)	.625 (15.9)
12	.563 (14.3)	.760 (19.3)	1.500 (38.1)	1.380 (35.1)	.438 (11.1)	.750 (19.1)
16	.656 (16.7)	1.073 (27.3)	1.719 (43.7)	1.535 (39.0)	.562 (14.3)	.938 (23.8)
20	.656 (16.7)	1.323 (33.6)	2.062 (52.4)	1.848 (46.9)	.750 (19.1)	1.250 (31.8)
24	.656 (16.7)	1.323 (33.6)	2.312 (58.7)	2.255 (57.3)	.781 (19.8)	1.375 (34.9)
28	1.188 (30.2)	1.572 (39.9)	2.719 (69.1)	2.505 (63.6)	.969 (24.6)	1.625 (41.3)
32*	1.187 (30.1)	1.572 (39.9)	2.969 (75.4)	2.755 (70.0)	1.125 (28.6)	1.875 (47.6)
40*	1.125 (28.6)	1.572 (39.9)	3.531 (89.7)	3.255 (82.7)	1.469 (37.3)	2.375 (60.3)

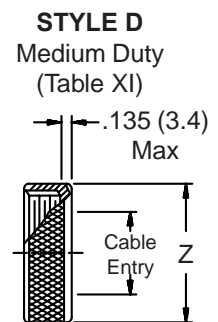
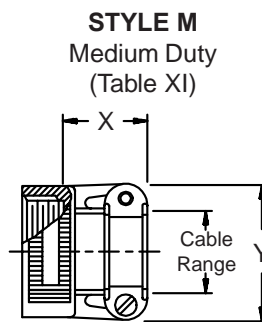
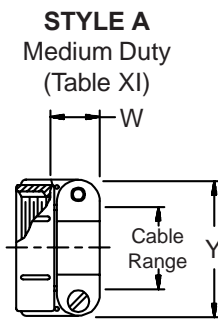
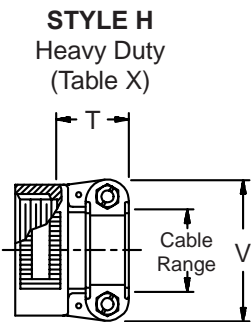
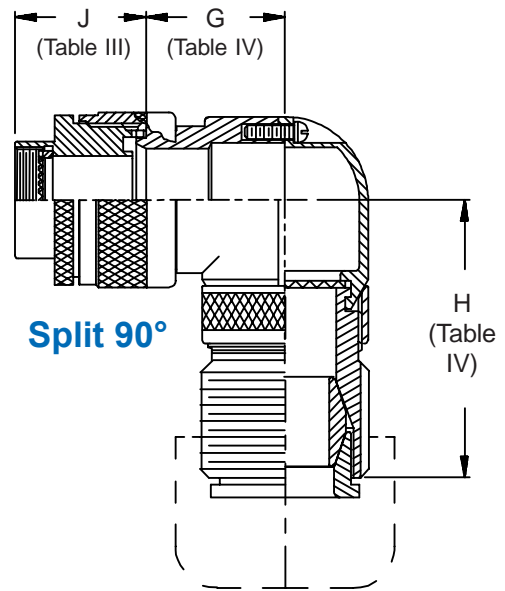
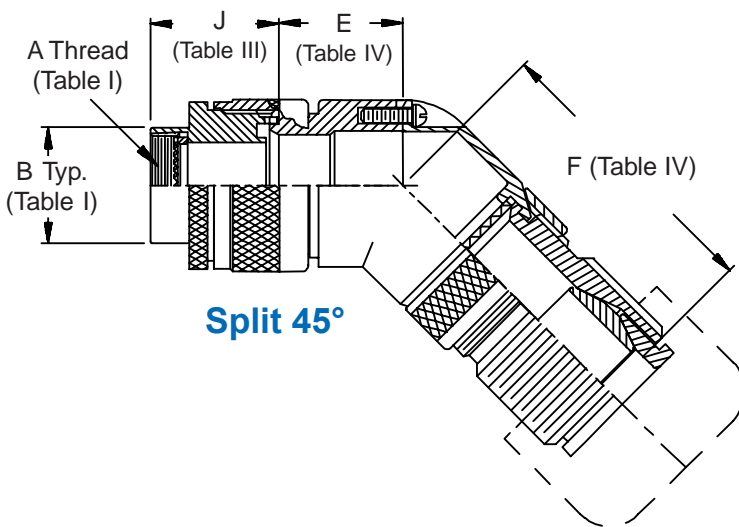
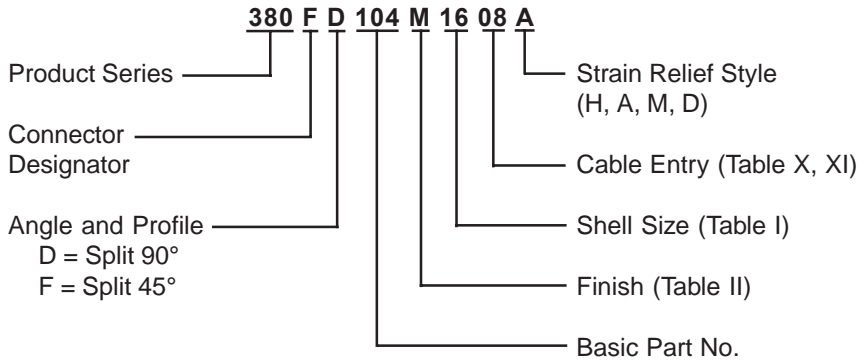
\* Not available in Style M clamp.      \*\* Not Applicable Style D



**CONNECTOR  
 DESIGNATORS**  
**A-B\*-C-D-E-F**  
**G-H-J-K-L-S**

\* Conn. Desig. B See Note 3  
**DIRECT COUPLING**

**TYPE F INDIVIDUAL  
 AND/OR OVERALL  
 SHIELD TERMINATION**



380-104  
EMI/RFI Non-Environmental Backshell  
with Strain Relief  
Type F - Direct Coupling - Split Shell



See inside back cover fold-out or pages 13 and 14 for Tables I and II.

**TABLE III: FRONT ADAPTER**

**J Max - Conn. Designator**

Shell Size	A-E-F		
	J-H-L-S	D-B-G-K	C
08/09	1.180 (30.0)	1.440 (36.6)	
10/11	1.180 (30.0)	1.440 (36.6)	
12/13	1.180 (30.0)	1.440 (36.6)	1.735 (44.1)
14/15	1.180 (30.0)	1.440 (36.6)	1.915 (48.6)
16/17	1.380 (35.0)	1.560 (39.6)	1.915 (48.6)
18/19	1.380 (35.0)	1.560 (39.6)	1.915 (48.6)
20/21	1.380 (35.0)	1.560 (39.6)	1.915 (48.6)
22/23	1.380 (35.0)	1.560 (39.6)	1.915 (48.6)
24/25	1.380 (35.0)	1.560 (39.6)	1.915 (48.6)
28/29	1.610 (40.9)	1.560 (39.6)	1.915 (48.6)
32/33	1.610 (40.9)	1.750 (44.5)	1.915 (48.6)
36	1.610 (40.9)	1.750 (44.5)	1.915 (48.6)
40	1.610 (40.9)	2.190 (55.6)	1.915 (48.6)

**TABLE IV: ELBOW DIMENSIONS**

Elbow Size	E Max	F Max	G Max	H Max
03	.500 (12.7)	1.650 (41.9)	.680 (17.3)	1.530 (38.9)
04	.500 (12.7)	1.650 (41.9)	.680 (17.3)	1.530 (38.9)
06	.500 (12.7)	1.650 (41.9)	.750 (19.1)	1.590 (40.4)
08	.560 (14.2)	1.720 (43.7)	.810 (20.6)	1.660 (42.2)
10	.620 (15.7)	1.750 (44.5)	.870 (22.1)	1.690 (42.9)
12	.680 (17.3)	1.850 (47.0)	.930 (23.6)	1.790 (45.5)
16	.750 (19.1)	1.910 (48.5)	1.000 (25.4)	1.850 (47.0)
20	.820 (20.8)	1.970 (50.0)	1.060 (26.9)	1.910 (48.5)
24	.880 (22.4)	2.030 (51.6)	1.120 (28.4)	1.970 (50.0)
28	.940 (23.9)	2.090 (53.1)	1.180 (30.0)	2.030 (51.6)
32	1.030 (26.2)	2.180 (55.4)	1.340 (34.0)	2.190 (55.6)

**TABLE II: STANDARD FINISHES**

GLENAIR SYMBOL	FINISH
B	Cadmium Plate, Olive Drab
M	Electroless Nickel
NF	Cadmium Plate, Olive Drab Over Electroless Nickel

See Inside Back Cover for Additional Finish Options

**TABLE X: CABLE ENTRY**

Dash No.	T Max	V Max	Cable Range	
			Min	Max
04	.780 (19.8)	.957 (24.3)	.125 (3.2)	.312 (7.9)
06	.780 (19.8)	1.145 (29.1)	.250 (6.4)	.437 (11.1)
08	.780 (19.8)	1.332 (33.8)	.312 (7.9)	.562 (14.3)
10	.780 (19.8)	1.332 (33.8)	.350 (8.9)	.625 (15.9)
12	.811 (20.6)	1.551 (39.4)	.500 (12.7)	.750 (19.1)
16	.905 (23.0)	1.770 (45.0)	.625 (15.9)	.937 (23.8)
20	1.092 (27.7)	2.113 (53.7)	.875 (22.2)	1.250 (31.8)
24	1.124 (28.5)	2.363 (60.0)	1.000 (25.4)	1.375 (34.9)
28	1.399 (35.5)	2.770 (70.4)	1.250 (31.8)	1.625 (41.3)
32	1.399 (35.5)	3.020 (76.7)	1.437 (36.5)	1.875 (47.6)

- Metric dimensions (mm) are indicated in parentheses.
- Cable range is defined as the accommodations range for the wire bundle or cable. Dimensions shown are not intended for inspection criteria.
- When using Connector Designator B refer to pages 18 and 19 for part number development.

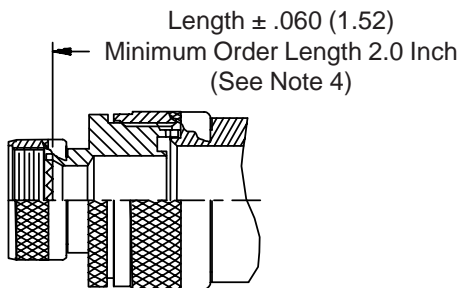
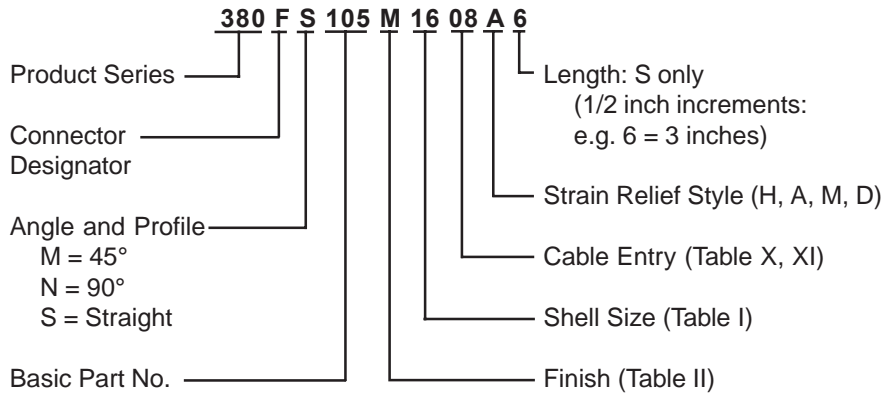
**TABLE XI: CABLE ENTRY**

Dash No.	W Max	X Max	Y Max	Z Max	Cable Range	
					Min **	Max
03*	.437 (11.1)	.760 (19.3)	.843 (21.4)	.630 (16.0)	.156 (4.0)	.250 (6.4)
04*	.437 (11.1)	.760 (19.3)	.906 (23.0)	.755 (19.2)	.188 (4.8)	.312 (7.9)
06*	.500 (12.7)	.760 (19.3)	1.093 (27.8)	.942 (23.9)	.281 (7.1)	.438 (11.1)
08	.563 (14.3)	.760 (19.3)	1.187 (30.1)	1.067 (27.1)	.344 (8.7)	.562 (14.3)
10	.563 (14.3)	.760 (19.3)	1.281 (32.5)	1.192 (30.3)	.375 (9.5)	.625 (15.9)
12	.563 (14.3)	.760 (19.3)	1.500 (38.1)	1.380 (35.1)	.438 (11.1)	.750 (19.1)
16	.656 (16.7)	1.073 (27.3)	1.719 (43.7)	1.535 (39.0)	.562 (14.3)	.938 (23.8)
20	.656 (16.7)	1.323 (33.6)	2.062 (52.4)	1.848 (46.9)	.750 (19.1)	1.250 (31.8)
24	.656 (16.7)	1.323 (33.6)	2.312 (58.7)	2.255 (57.3)	.781 (19.8)	1.375 (34.9)
28	1.188 (30.2)	1.572 (39.9)	2.719 (69.1)	2.505 (63.6)	.969 (24.6)	1.625 (41.3)
32*	1.187 (30.1)	1.572 (39.9)	2.969 (75.4)	2.755 (70.0)	1.125 (28.6)	1.875 (47.6)
40*	1.125 (28.6)	1.572 (39.9)	3.531 (89.7)	3.255 (82.7)	1.469 (37.3)	2.375 (60.3)

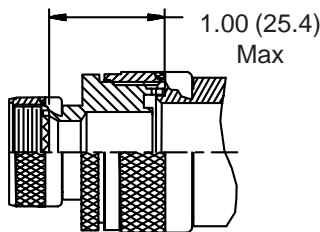
\* Not available in Style M clamp.      \*\* Not Applicable Style D

**CONNECTOR  
 DESIGNATORS  
 A-F-H-L-S  
 SELF-LOCKING  
 ROTATABLE  
 COUPLING**

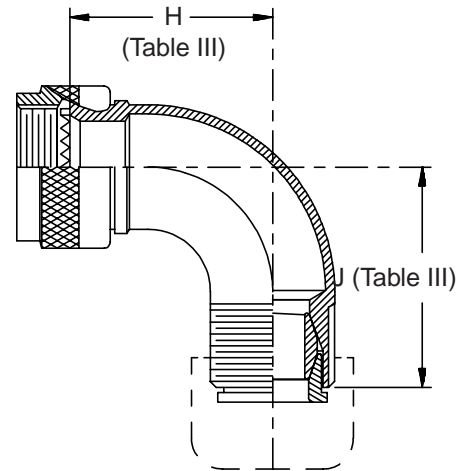
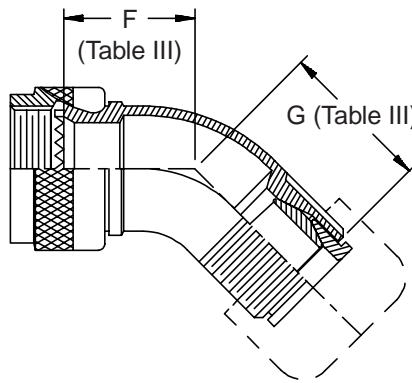
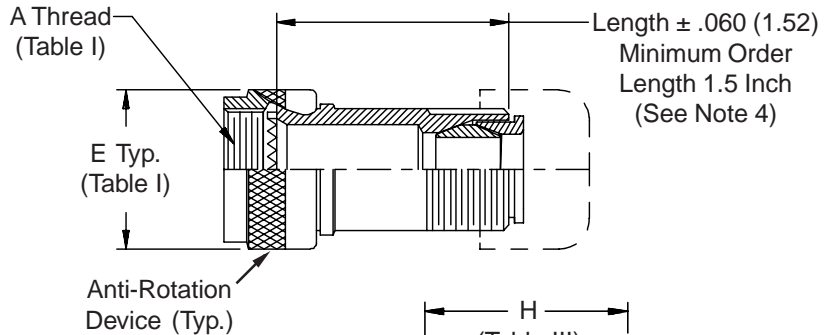
**TYPE F INDIVIDUAL  
 AND/OR OVERALL  
 SHIELD TERMINATION**



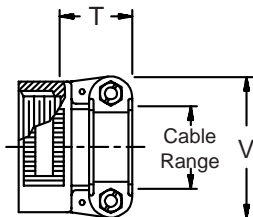
**STYLE 2  
 (STRAIGHT  
 See Note 1)**



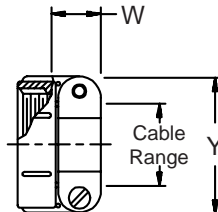
**STYLE 2  
 (45° & 90°  
 See Note 1)**



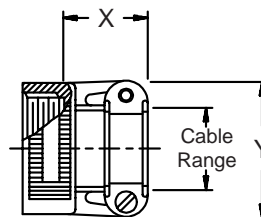
**STYLE H  
 Heavy Duty  
 (Table X)**



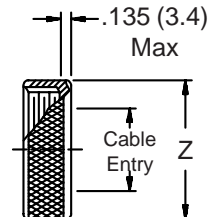
**STYLE A  
 Medium Duty  
 (Table XI)**



**STYLE M  
 Medium Duty  
 (Table XI)**



**STYLE D  
 Medium Duty  
 (Table XI)**



**380-105**  
**EMI/RFI Non-Environmental Backshell**  
with Strain Relief  
Type F - Self-Locking - Rotatable Coupling - Full Radius Profile



**TABLE III: ELBOW DIMENSIONS**

Shell Size		F		G		H		J	
Conn. Desig.		Max		Max		Max		Max	
A-F-L-S	H								
08	09	.968	(24.6)	.875	(22.2)	1.281	(32.5)	1.188	(30.2)
10	11	1.031	(26.2)	.938	(23.8)	1.406	(35.7)	1.312	(33.3)
12	13	1.094	(27.8)	1.000	(25.4)	1.531	(38.9)	1.438	(36.5)
14	15	1.156	(29.4)	1.062	(27.0)	1.656	(42.1)	1.562	(39.7)
16	17	1.219	(31.0)	1.125	(28.6)	1.781	(45.2)	1.688	(42.9)
18	19	1.250	(31.8)	1.156	(29.4)	1.906	(48.4)	1.812	(46.0)
20	21	1.312	(33.3)	1.219	(31.0)	2.031	(51.6)	1.938	(49.2)
22	23	1.344	(34.1)	1.250	(31.8)	2.156	(54.8)	2.062	(52.4)
24	25	1.406	(35.7)	1.312	(33.3)	2.281	(57.9)	2.188	(55.6)
28		1.500	(38.1)	1.625	(41.3)	2.531	(64.3)	2.625	(66.7)

**TABLE II: STANDARD FINISHES**

GLENAIR SYMBOL	FINISH
B	Cadmium Plate, Olive Drab
M	Electroless Nickel
NF	Cadmium Plate, Olive Drab Over Electroless Nickel

See Inside Back Cover for Additional Finish Options

See inside back cover fold-out or pages 13 and 14 for unabridged Tables I and II.

**TABLE X: CABLE ENTRY**

Dash No.	T Max	V Max	Cable Range			
			Min	Max	Min	Max
04	.780 (19.8)	.957 (24.3)	.125 (3.2)	.312 (7.9)		
06	.780 (19.8)	1.145 (29.1)	.250 (6.4)	.437 (11.1)		
08	.780 (19.8)	1.332 (33.8)	.312 (7.9)	.562 (14.3)		
10	.780 (19.8)	1.332 (33.8)	.350 (8.9)	.625 (15.9)		
12	.811 (20.6)	1.551 (39.4)	.500 (12.7)	.750 (19.1)		
16	.905 (23.0)	1.770 (45.0)	.625 (15.9)	.937 (23.8)		
20	1.092 (27.7)	2.113 (53.7)	.875 (22.2)	1.250 (31.8)		
24	1.124 (28.5)	2.363 (60.0)	1.000 (25.4)	1.375 (34.9)		
28	1.399 (35.5)	2.770 (70.4)	1.250 (31.8)	1.625 (41.3)		
32	1.399 (35.5)	3.020 (76.7)	1.437 (36.5)	1.875 (47.6)		

1. When maximum cable entry (page 21) is exceeded, Style 2 will be supplied. Dimensions F, G, H and J will not apply. Please consult factory.
2. Metric dimensions (mm) are indicated in parentheses.
3. Cable range is defined as the accommodations range for the wire bundle or cable. Dimensions shown are not intended for inspection criteria.
4. Consult factory for shorter lengths on straight backshells.

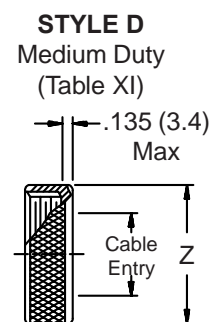
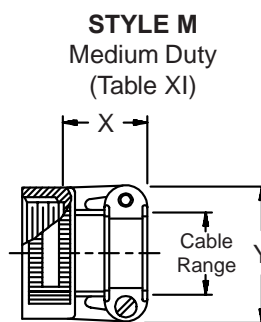
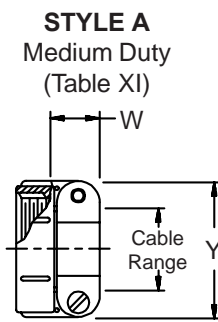
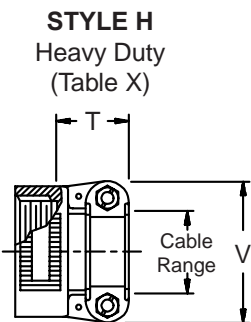
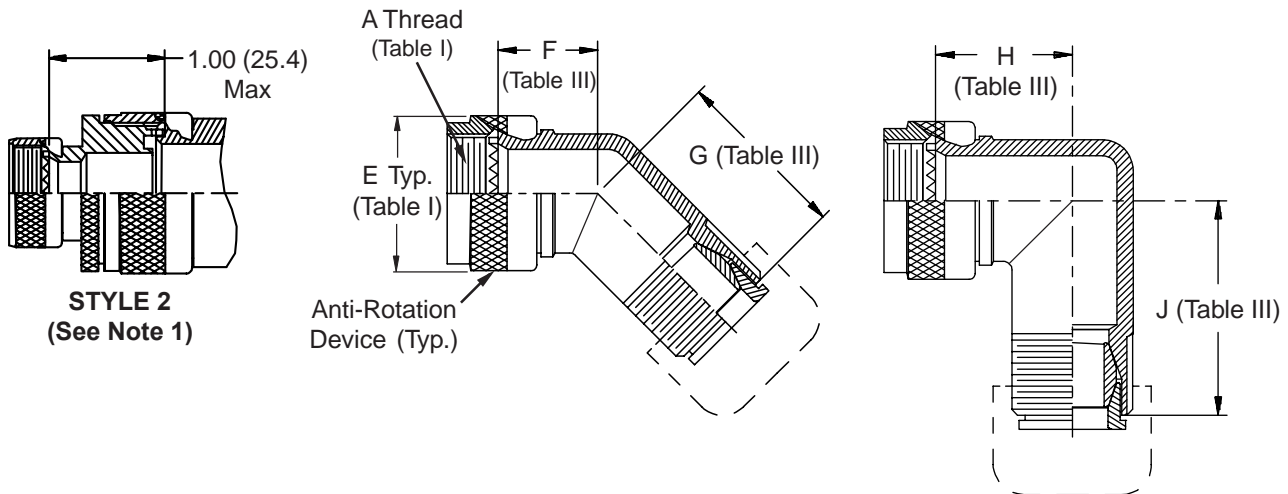
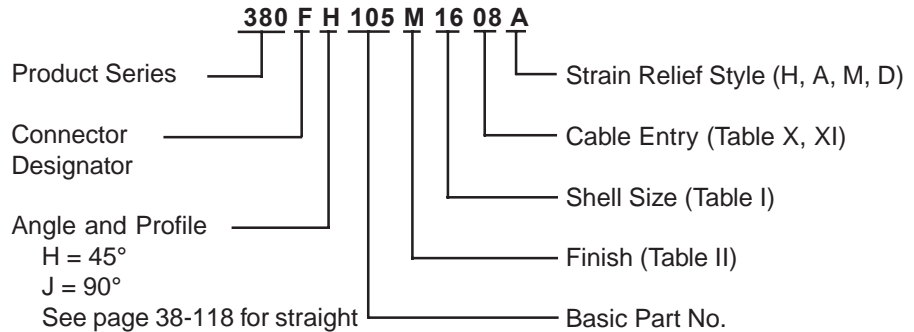
**TABLE XI: CABLE ENTRY**

Dash No.	W Max	X Max	Y Max	Z Max	Cable Range	
					Min **	Max
03*	.437 (11.1)	.760 (19.3)	.843 (21.4)	.630 (16.0)	.156 (4.0)	.250 (6.4)
04*	.437 (11.1)	.760 (19.3)	.906 (23.0)	.755 (19.2)	.188 (4.8)	.312 (7.9)
06*	.500 (12.7)	.760 (19.3)	1.093 (27.8)	.942 (23.9)	.281 (7.1)	.438 (11.1)
08	.563 (14.3)	.760 (19.3)	1.187 (30.1)	1.067 (27.1)	.344 (8.7)	.562 (14.3)
10	.563 (14.3)	.760 (19.3)	1.281 (32.5)	1.192 (30.3)	.375 (9.5)	.625 (15.9)
12	.563 (14.3)	.760 (19.3)	1.500 (38.1)	1.380 (35.1)	.438 (11.1)	.750 (19.1)
16	.656 (16.7)	1.073 (27.3)	1.719 (43.7)	1.535 (39.0)	.562 (14.3)	.938 (23.8)
20	.656 (16.7)	1.323 (33.6)	2.062 (52.4)	1.848 (46.9)	.750 (19.1)	1.250 (31.8)
24	.656 (16.7)	1.323 (33.6)	2.312 (58.7)	2.255 (57.3)	.781 (19.8)	1.375 (34.9)
28	1.188 (30.2)	1.572 (39.9)	2.719 (69.1)	2.505 (63.6)	.969 (24.6)	1.625 (41.3)
32*	1.187 (30.1)	1.572 (39.9)	2.969 (75.4)	2.755 (70.0)	1.125 (28.6)	1.875 (47.6)
40*	1.125 (28.6)	1.572 (39.9)	3.531 (89.7)	3.255 (82.7)	1.469 (37.3)	2.375 (60.3)

\* Not available in Style M clamp.      \*\* Not Applicable Style D

**CONNECTOR  
 DESIGNATORS  
 A-F-H-L-S  
 SELF-LOCKING  
 ROTATABLE  
 COUPLING**

**TYPE F INDIVIDUAL  
 AND/OR OVERALL  
 SHIELD TERMINATION**



**380-105**  
**EMI/RFI Non-Environmental Backshell**  
with Strain Relief  
Type F - Self-Locking - Rotatable Coupling - Standard Profile



**TABLE III: ELBOW DIMENSIONS**

Shell Size		F Max	G Max	H Max	J Max
Conn. Desig. A-F-L-S	H				
08	09	.795 (20.2)	1.015 (25.8)	.906 (23.0)	1.125 (28.6)
10	11	.820 (20.8)	1.045 (26.5)	.966 (24.5)	1.185 (30.1)
12	13	.844 (21.4)	1.065 (27.1)	1.026 (26.1)	1.245 (31.6)
14	15	.861 (21.9)	1.095 (27.8)	1.076 (27.3)	1.315 (33.4)
16	17	.888 (22.6)	1.115 (28.3)	1.136 (28.9)	1.375 (34.9)
18	19	.904 (23.0)	1.125 (28.6)	1.176 (29.9)	1.395 (35.4)
20	21	.929 (23.6)	1.145 (29.1)	1.236 (31.4)	1.445 (36.7)
22	23	.956 (24.3)	1.185 (30.1)	1.296 (32.9)	1.535 (39.0)
24	25	.979 (24.9)	1.215 (30.9)	1.356 (34.4)	1.605 (40.8)

**TABLE II: STANDARD FINISHES**

GLENAIR SYMBOL	FINISH
B	Cadmium Plate, Olive Drab
M	Electroless Nickel
NF	Cadmium Plate, Olive Drab Over Electroless Nickel

See Inside Back Cover  
for Additional Finish Options

**See inside back cover  
fold-out or pages 13 and  
14 for unabridged  
Tables I and II.**

**TABLE X: CABLE ENTRY**

Dash No.	T Max	V Max	Cable Range	
			Min	Max
04	.780 (19.8)	.957 (24.3)	.125 (3.2)	.312 (7.9)
06	.780 (19.8)	1.145 (29.1)	.250 (6.4)	.437 (11.1)
08	.780 (19.8)	1.332 (33.8)	.312 (7.9)	.562 (14.3)
10	.780 (19.8)	1.332 (33.8)	.350 (8.9)	.625 (15.9)
12	.811 (20.6)	1.551 (39.4)	.500 (12.7)	.750 (19.1)
16	.905 (23.0)	1.770 (45.0)	.625 (15.9)	.937 (23.8)
20	1.092 (27.7)	2.113 (53.7)	.875 (22.2)	1.250 (31.8)
24	1.124 (28.5)	2.363 (60.0)	1.000 (25.4)	1.375 (34.9)
28	1.399 (35.5)	2.770 (70.4)	1.250 (31.8)	1.625 (41.3)
32	1.399 (35.5)	3.020 (76.7)	1.437 (36.5)	1.875 (47.6)

- When maximum cable entry (page 21) is exceeded, Style 2 will be supplied. Dimensions F, G, H and J will not apply. Please consult factory.
- Metric dimensions (mm) are indicated in parentheses.
- Cable range is defined as the accommodations range for the wire bundle or cable. Dimensions shown are not intended for inspection criteria.

**TABLE XI: CABLE ENTRY**

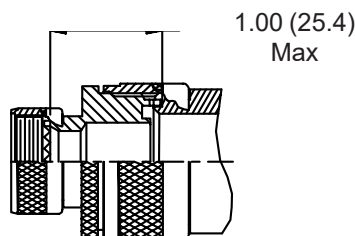
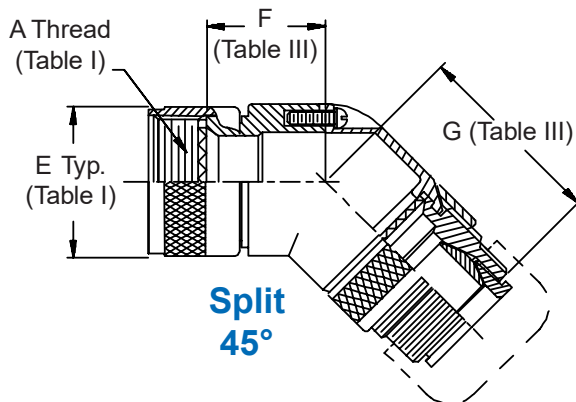
Dash No.	W Max	X Max	Y Max	Z Max	Cable Range	
					Min **	Max
03*	.437 (11.1)	.760 (19.3)	.843 (21.4)	.630 (16.0)	.156 (4.0)	.250 (6.4)
04*	.437 (11.1)	.760 (19.3)	.906 (23.0)	.755 (19.2)	.188 (4.8)	.312 (7.9)
06*	.500 (12.7)	.760 (19.3)	1.093 (27.8)	.942 (23.9)	.281 (7.1)	.438 (11.1)
08	.563 (14.3)	.760 (19.3)	1.187 (30.1)	1.067 (27.1)	.344 (8.7)	.562 (14.3)
10	.563 (14.3)	.760 (19.3)	1.281 (32.5)	1.192 (30.3)	.375 (9.5)	.625 (15.9)
12	.563 (14.3)	.760 (19.3)	1.500 (38.1)	1.380 (35.1)	.438 (11.1)	.750 (19.1)
16	.656 (16.7)	1.073 (27.3)	1.719 (43.7)	1.535 (39.0)	.562 (14.3)	.938 (23.8)
20	.656 (16.7)	1.323 (33.6)	2.062 (52.4)	1.848 (46.9)	.750 (19.1)	1.250 (31.8)
24	.656 (16.7)	1.323 (33.6)	2.312 (58.7)	2.255 (57.3)	.781 (19.8)	1.375 (34.9)
28	1.188 (30.2)	1.572 (39.9)	2.719 (69.1)	2.505 (63.6)	.969 (24.6)	1.625 (41.3)
32*	1.187 (30.1)	1.572 (39.9)	2.969 (75.4)	2.755 (70.0)	1.125 (28.6)	1.875 (47.6)
40*	1.125 (28.6)	1.572 (39.9)	3.531 (89.7)	3.255 (82.7)	1.469 (37.3)	2.375 (60.3)

\* Not available in Style M clamp.      \*\* Not Applicable Style D



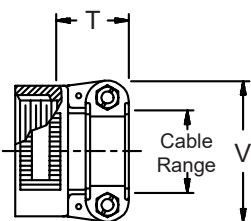
**CONNECTOR  
DESIGNATORS  
A-F-H-L-S  
SELF-LOCKING  
ROTATABLE  
COUPLING**

**TYPE F INDIVIDUAL  
AND/OR OVERALL  
SHIELD TERMINATION**

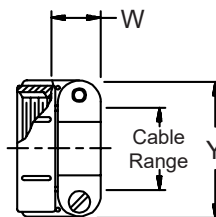


**STYLE 2**  
(See Note 1)

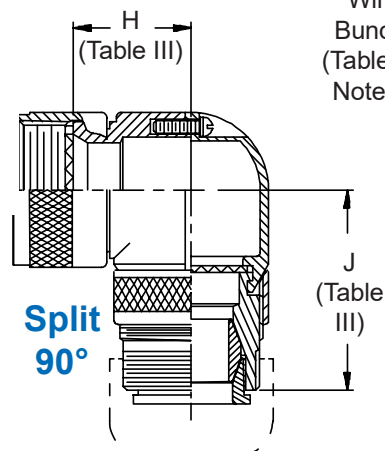
**Heavy Duty**  
(Table X)



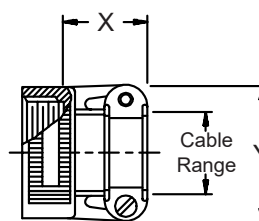
**STYLE A**  
Medium Duty  
(Table XI)



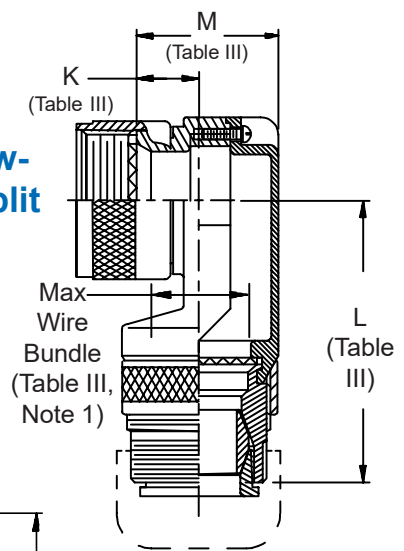
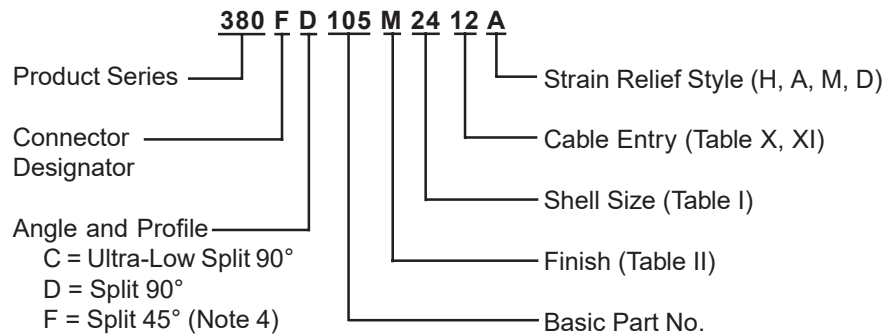
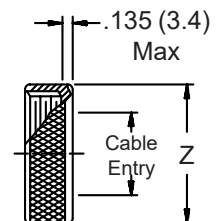
**Ultra Low-  
Profile Split  
90°**



**STYLE M**  
Medium Duty  
(Table XI)



**STYLE D**  
Medium Duty  
(Table XI)



**380-105**  
**EMI/RFI Non-Environmental Backshell**  
with Strain Relief  
**Type F - Self-Locking - Rotatable Coupling - Split Shell**



**TABLE III ELBOW DIMENSIONS**

Shell Size	F Max	G Max	H Max	J Max	K Ref	L Max	M Max	Function C Max Wire Bundle
08/09	.596 (15.1)	1.590 (40.4)	.836 (21.2)	1.530 (38.9)	.496 (12.6)	1.780 (45.2)	.837 (21.3)	.250 (6.4)
10/11	.656 (16.7)	1.650 (41.9)	.906 (23.0)	1.590 (40.4)	.426 (10.8)	1.940 (49.3)	.887 (22.5)	.375 (9.5)
12/13	.716 (18.2)	1.720 (43.7)	.966 (24.5)	1.660 (42.2)	.426 (10.8)	1.940 (49.3)	.887 (22.5)	.375 (9.5)
14/15	.776 (19.7)	1.750 (44.5)	1.026 (26.1)	1.690 (42.9)	.436 (11.1)	2.010 (51.1)	.987 (25.1)	.500 (12.7)
16/17	.836 (21.2)	1.850 (47.0)	1.086 (27.6)	1.790 (45.5)	.576 (14.6)	2.060 (52.3)	1.137 (28.9)	.625 (15.9)
18/19	.906 (23.0)	1.910 (48.5)	1.156 (29.4)	1.850 (47.0)	.796 (20.2)	2.090 (53.1)	1.337 (34.0)	.625 (15.9)
20/21	.976 (24.8)	1.970 (50.0)	1.216 (30.9)	1.910 (48.5)	.796 (20.2)	2.090 (53.1)	1.337 (34.0)	.625 (15.9)
22/23	1.036 (26.3)	2.030 (51.6)	1.276 (32.4)	1.970 (50.0)	.696 (17.7)	2.240 (56.9)	1.337 (34.0)	.750 (19.1)
24/25	1.096 (27.8)	2.090 (53.1)	1.336 (33.9)	2.030 (51.6)	.696 (17.7)	2.240 (56.9)	1.337 (34.0)	.750 (19.1)

**TABLE X: CABLE ENTRY**

Dash No.	T Max	V Max	Cable Range	
			Min	Max
04	.780 (19.8)	.957 (24.3)	.125 (3.2)	.312 (7.9)
06	.780 (19.8)	1.145 (29.1)	.250 (6.4)	.437 (11.1)
08	.780 (19.8)	1.332 (33.8)	.312 (7.9)	.562 (14.3)
10	.780 (19.8)	1.332 (33.8)	.350 (8.9)	.625 (15.9)
12	.811 (20.6)	1.551 (39.4)	.500 (12.7)	.750 (19.1)
16	.905 (23.0)	1.770 (45.0)	.625 (15.9)	.937 (23.8)
20	1.092 (27.7)	2.113 (53.7)	.875 (22.2)	1.250 (31.8)
24	1.124 (28.5)	2.363 (60.0)	1.000 (25.4)	1.375 (34.9)
28	1.399 (35.5)	2.770 (70.4)	1.250 (31.8)	1.625 (41.3)
32	1.399 (35.5)	3.020 (76.7)	1.437 (36.5)	1.875 (47.6)

**TABLE II: STANDARD FINISHES**

GLENAIR SYMBOL	FINISH
B	Cadmium Plate, Olive Drab
M	Electroless Nickel
NF	Cadmium Plate, Olive Drab Over Electroless Nickel
See Inside Back Cover for Additional Finish Options	

See inside back cover fold-out or pages 13 and 14 for unabridged Tables I and II.

**TABLE XI: CABLE ENTRY**

Dash No.	W Max	X Max	Y Max	Z Max	Cable Range	
					Min **	Max
03*	.437 (11.1)	.760 (19.3)	.843 (21.4)	.630 (16.0)	.156 (4.0)	.250 (6.4)
04*	.437 (11.1)	.760 (19.3)	.906 (23.0)	.755 (19.2)	.188 (4.8)	.312 (7.9)
06*	.500 (12.7)	.760 (19.3)	1.093 (27.8)	.942 (23.9)	.281 (7.1)	.438 (11.1)
08	.563 (14.3)	.760 (19.3)	1.187 (30.1)	1.067 (27.1)	.344 (8.7)	.562 (14.3)
10	.563 (14.3)	.760 (19.3)	1.281 (32.5)	1.192 (30.3)	.375 (9.5)	.625 (15.9)
12	.563 (14.3)	.760 (19.3)	1.500 (38.1)	1.380 (35.1)	.438 (11.1)	.750 (19.1)
16	.656 (16.7)	1.073 (27.3)	1.719 (43.7)	1.535 (39.0)	.562 (14.3)	.938 (23.8)
20	.656 (16.7)	1.323 (33.6)	2.062 (52.4)	1.848 (46.9)	.750 (19.1)	1.250 (31.8)
24	.656 (16.7)	1.323 (33.6)	2.312 (58.7)	2.255 (57.3)	.781 (19.8)	1.375 (34.9)
28	1.188 (30.2)	1.572 (39.9)	2.719 (69.1)	2.505 (63.6)	.969 (24.6)	1.625 (41.3)
32*	1.187 (30.1)	1.572 (39.9)	2.969 (75.4)	2.755 (70.0)	1.125 (28.6)	1.875 (47.6)
40*	1.125 (28.6)	1.572 (39.9)	3.531 (89.7)	3.255 (82.7)	1.469 (37.3)	2.375 (60.3)

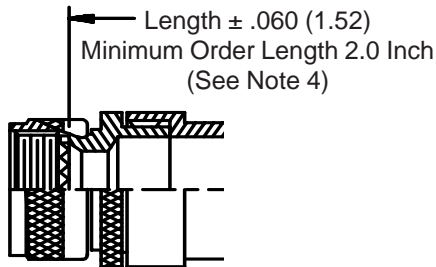
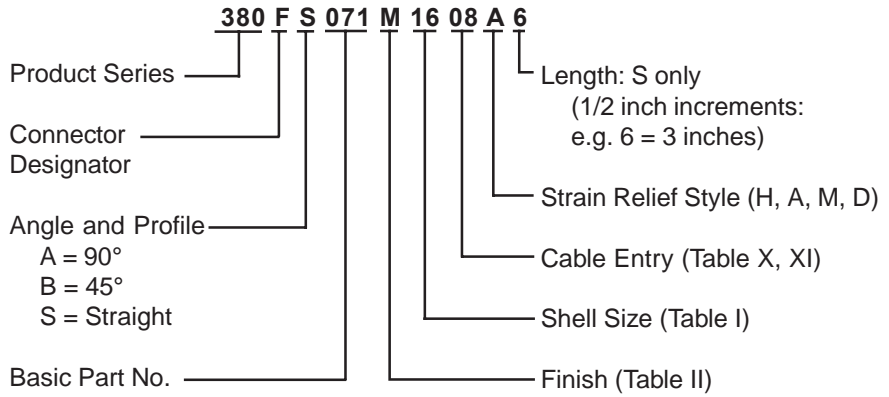
\* Not available in Style M clamp.

\*\* Not Applicable Style D

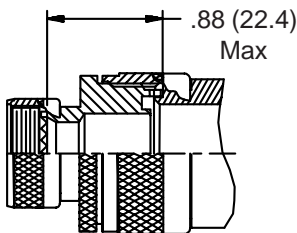
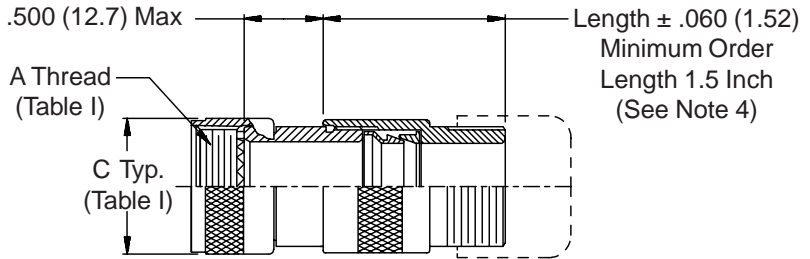
1. When maximum cable entry (page 21) is exceeded, Style 2 will be supplied (not available in Function C). Dimensions F, G, H and J will not apply. Please consult factory.
2. Metric dimensions (mm) are indicated in parentheses.
3. Cable range is defined as the accommodations range for the wire bundle or cable. Dimensions shown are not intended for inspection criteria.
4. Consult factory for available sizes of 45° (Function F).
5. Angular function "C", low-profile split elbow, not available with "S" connector designator.

**380-071**  
**EMI/RFI Non-Environmental Backshell**  
 with Strain Relief  
**Type G - Rotatable Coupling - Low Profile**

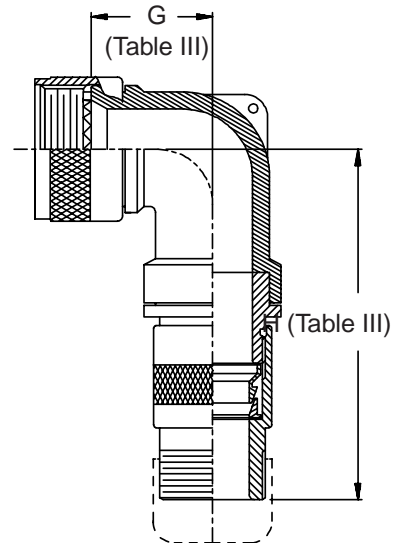
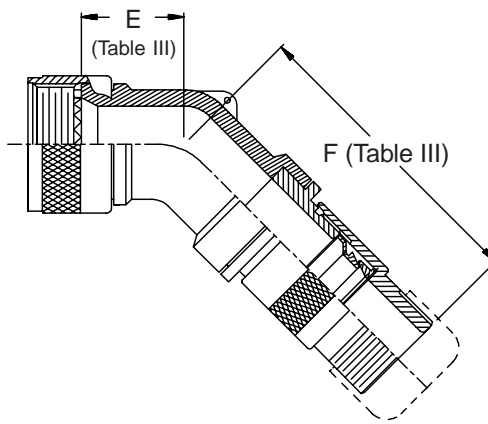
**CONNECTOR  
 DESIGNATORS**  
**A-F-H-L-S**  
**ROTATABLE  
 COUPLING**  
**TYPE G INDIVIDUAL  
 OR OVERALL  
 SHIELD TERMINATION**



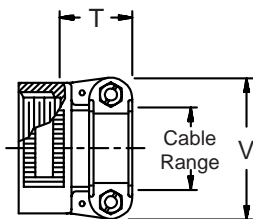
**STYLE 2  
 (STRAIGHT  
 See Note 1)**



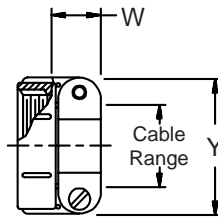
**STYLE 2  
 (45° & 90°  
 See Note 1)**



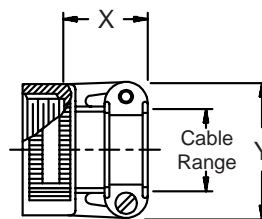
**STYLE H  
 Heavy Duty  
 (Table X)**



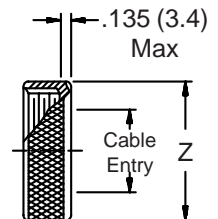
**STYLE A  
 Medium Duty  
 (Table XI)**



**STYLE M  
 Medium Duty  
 (Table XI)**



**STYLE D  
 Medium Duty  
 (Table XI)**



**380-071**  
**EMI/RFI Non-Environmental Backshell**  
 with Strain Relief  
 Type G - Rotatable Coupling - Low Profile



**TABLE III: ELBOW DIMENSIONS**

Shell Size		E Max	F Max	G Max	H Max
Conn. Desig. A-F-L-S H					
08	09	.457 (11.6)	3.460 (87.9)	.510 (13.0)	3.460 (87.9)
10	11	.520 (13.2)	3.520 (89.4)	.595 (15.1)	3.590 (91.2)
12	13	.582 (14.8)	3.580 (90.9)	.610 (15.5)	3.610 (91.7)
14	15	.645 (16.4)	3.900 (99.1)	.700 (17.8)	3.910 (99.3)
16	17	.738 (18.7)	4.010(101.9)	.885 (22.5)	4.000(101.6)
18	19	.926 (23.5)	4.200(106.7)	.975 (24.8)	4.170(105.9)
20	21	.926 (23.5)	4.200(106.7)	.975 (24.8)	4.170(105.9)
22	23	1.020 (25.9)	4.350 (110.5)	1.125 (28.6)	4.280(108.7)
24	25	1.020 (25.9)	4.350 (110.5)	1.125 (28.6)	4.280(108.7)
28		1.145 (29.1)	4.400 (111.8)	1.225 (31.1)	4.450 (113.0)
32		1.207 (30.7)	4.500 (114.3)	1.575 (40.0)	4.700 (119.4)
36		1.238 (31.4)	4.590 (116.6)	1.775 (45.1)	4.700 (119.4)

**TABLE II: STANDARD FINISHES**

GLENAIR SYMBOL	FINISH
B	Cadmium Plate, Olive Drab
M	Electroless Nickel
NF	Cadmium Plate, Olive Drab Over Electroless Nickel
See Inside Back Cover for Additional Finish Options	

See inside back cover  
fold-out or pages 13 and  
14 for unabridged  
Tables I and II.

**TABLE X: CABLE ENTRY**

Dash No.	T Max	V Max	Cable Range	
			Min	Max
04	.780 (19.8)	.957 (24.3)	.125 (3.2)	.312 (7.9)
06	.780 (19.8)	1.145 (29.1)	.250 (6.4)	.437 (11.1)
08	.780 (19.8)	1.332 (33.8)	.312 (7.9)	.562 (14.3)
10	.780 (19.8)	1.332 (33.8)	.350 (8.9)	.625 (15.9)
12	.811 (20.6)	1.551 (39.4)	.500 (12.7)	.750 (19.1)
16	.905 (23.0)	1.770 (45.0)	.625 (15.9)	.937 (23.8)
20	1.092 (27.7)	2.113 (53.7)	.875 (22.2)	1.250 (31.8)
24	1.124 (28.5)	2.363 (60.0)	1.000 (25.4)	1.375 (34.9)
28	1.399 (35.5)	2.770 (70.4)	1.250 (31.8)	1.625 (41.3)
32	1.399 (35.5)	3.020 (76.7)	1.437 (36.5)	1.875 (47.6)

- When maximum cable entry (page 21) is exceeded, Style 2 will be supplied. Dimensions E, F, G and H will not apply. Please consult factory.
- Metric dimensions (mm) are indicated in parentheses.
- Cable range is defined as the accommodations range for the wire bundle or cable. Dimensions shown are not intended for inspection criteria.
- Consult factory for shorter lengths on straight backshells.

**TABLE XI: CABLE ENTRY**

Dash No.	W Max	X Max	Y Max	Z Max	Cable Range	
					Min **	Max
03*	.437 (11.1)	.760 (19.3)	.843 (21.4)	.630 (16.0)	.156 (4.0)	.250 (6.4)
04*	.437 (11.1)	.760 (19.3)	.906 (23.0)	.755 (19.2)	.188 (4.8)	.312 (7.9)
06*	.500 (12.7)	.760 (19.3)	1.093 (27.8)	.942 (23.9)	.281 (7.1)	.438 (11.1)
08	.563 (14.3)	.760 (19.3)	1.187 (30.1)	1.067 (27.1)	.344 (8.7)	.562 (14.3)
10	.563 (14.3)	.760 (19.3)	1.281 (32.5)	1.192 (30.3)	.375 (9.5)	.625 (15.9)
12	.563 (14.3)	.760 (19.3)	1.500 (38.1)	1.380 (35.1)	.438 (11.1)	.750 (19.1)
16	.656 (16.7)	1.073 (27.3)	1.719 (43.7)	1.535 (39.0)	.562 (14.3)	.938 (23.8)
20	.656 (16.7)	1.323 (33.6)	2.062 (52.4)	1.848 (46.9)	.750 (19.1)	1.250 (31.8)
24	.656 (16.7)	1.323 (33.6)	2.312 (58.7)	2.255 (57.3)	.781 (19.8)	1.375 (34.9)
28	1.188 (30.2)	1.572 (39.9)	2.719 (69.1)	2.505 (63.6)	.969 (24.6)	1.625 (41.3)
32*	1.187 (30.1)	1.572 (39.9)	2.969 (75.4)	2.755 (70.0)	1.125 (28.6)	1.875 (47.6)
40*	1.125 (28.6)	1.572 (39.9)	3.531 (89.7)	3.255 (82.7)	1.469 (37.3)	2.375 (60.3)

\* Not available in Style M clamp.  
 \*\* Not Applicable Style D

# If "mission-critical" describes your interconnect application...



## ...consider Glenair's complete capability in cabling and harness assembly.

**W**e've built wired, terminated and tested cables and assemblies for military, industrial and commercial customers since the 1950's. Our expertise extends from simple point to point wiring to complex multiple branch and fiber optic assemblies. When NASA needed a top-flight supplier to engineer and build the

"Golden Umbilical" for the first U.S. space walk, they chose Glenair. Today, we're building everything from over-molded fiber optic and electrical fuel-cell cables for front-line fighter planes to Micro-D subminiature harnesses for the world's telecom giants. When the requirement is "mission-critical", the choice is Glenair.



Commercial and Mil Spec connector accessories



Convoluted tubing and metal-core conduit



Electrical and fiber optic cable assemblies



Composite thermoplastic components



Microminiature connectors and accessories



Backshell assembly and termination tools



1211 Air Way  
Glendale, California 91201-2497  
Telephone: 818-247-6000 · Facsimilie: 818-500-9912 · EMail: sales@glenair.com

United States · United Kingdom · Germany · Nordic · France · Italy · Spain

www.glenair.com



## PRODUCT FEATURES

- EMI/RFI and Environmental Backshell Designs Feature Seven Styles of Ring Type Shield Terminations for Both Overall and Individual Shields and Three Styles of Cable Sealing
- Rotatable, Self-Locking and Direct Coupling Styles
- Standard, Low Profile, Full Radius and Split Shell Designs
- Straight, 45° and 90° Configurations
- Selection of Strain-Relief Styles

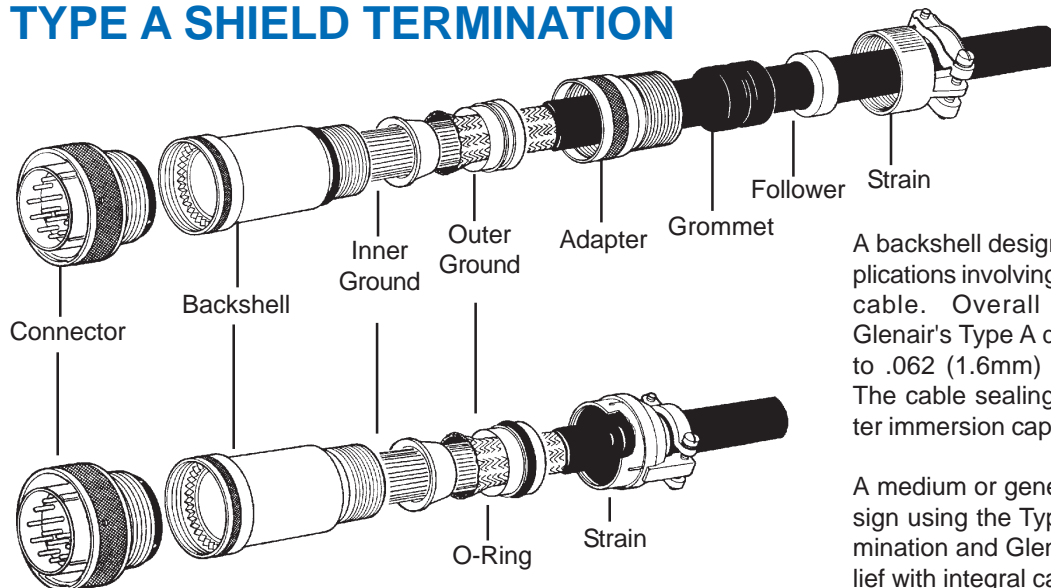


## Combined environmental and EMI/RFI protection

*Choose from seven termination styles and three cable sealing designs*

A choice of 360° shield/screen terminations are offered in straight and angled backshells, including designs to accommodate combinations of individual or overall shields or screens. All designs included in this section provide low dc resistance across the termination area. Cable sealing options include full-immersion to 6 ft., water-tight to 3 ft. and splash-proof. To select, please review the following type descriptions and assembly instructions, or call our factory for assistance.

### TYPE A SHIELD TERMINATION

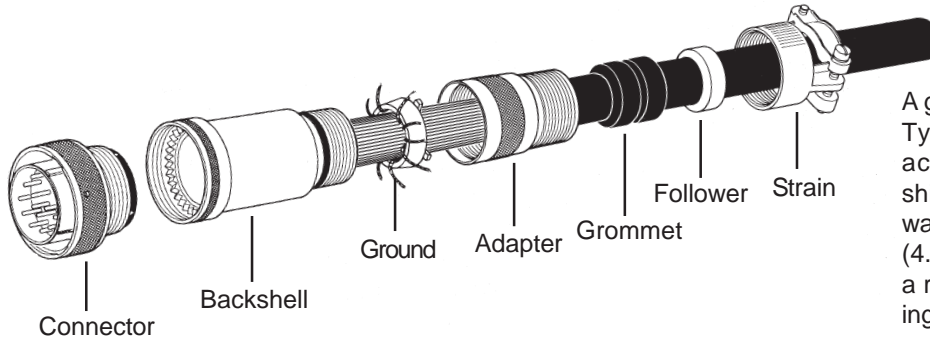


A backshell designed for heavy-duty applications involving shielded and jacketed cable. Overall shield termination is Glenair's Type A double conical ring -- 0 to .062 (1.6mm) shield wall thickness. The cable sealing grommet affords water immersion capability.

A medium or general duty backshell design using the Type A overall shield termination and Glenair's Style C strain relief with integral cable sealing grommet.

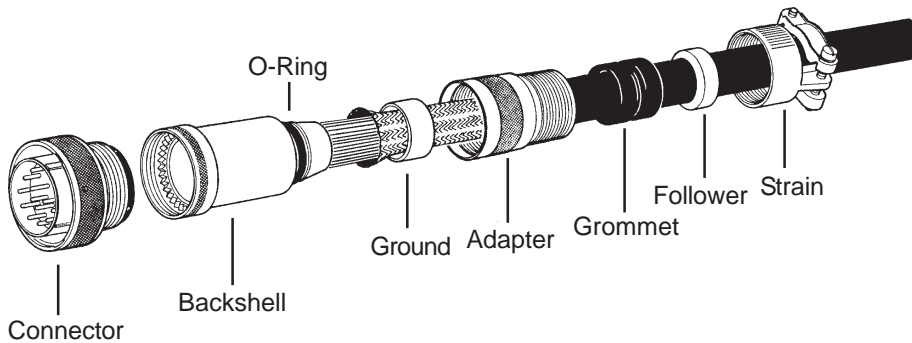


## TYPE B SHIELD TERMINATION

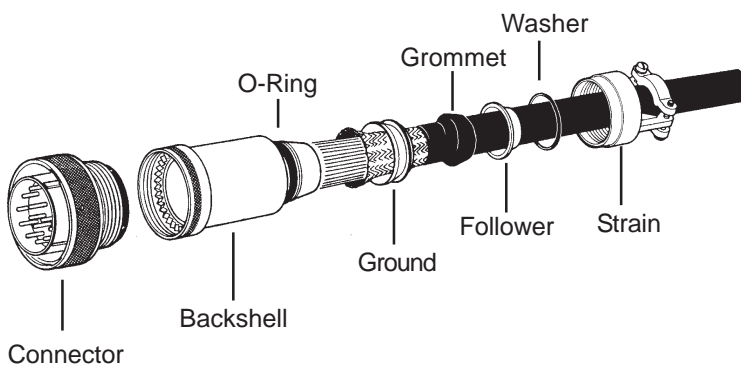


A general duty backshell, Glenair's Type B shield termination accommodates either an overall shield or individual shields. Shield wall thickness .031 (0.8 mm) to .188 (4.8 mm). This backshell also uses a resilient grommet for cable sealing in water immersion applications.

## TYPE C SHIELD TERMINATION



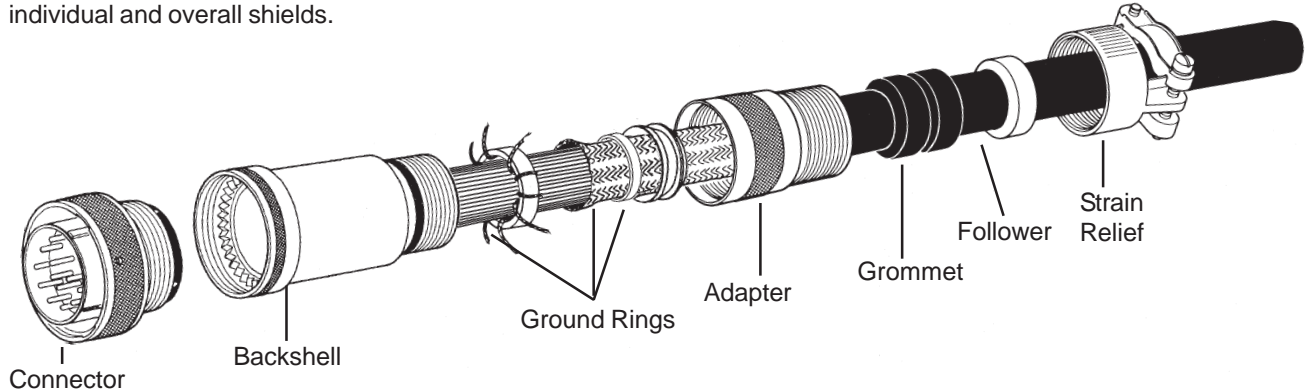
A medium duty backshell design which utilizes Glenair's Type C overall shield termination -- 0 to 0.62 (1.6 mm) shield wall thickness -- in conjunction with a cable sealing, resilient grommet to achieve water immersion capabilities.



A light duty backshell using Glenair's Type C overall shield termination and light-duty environment resiting grommet for moisture or "splash-proof" sealing on jacketed cables.

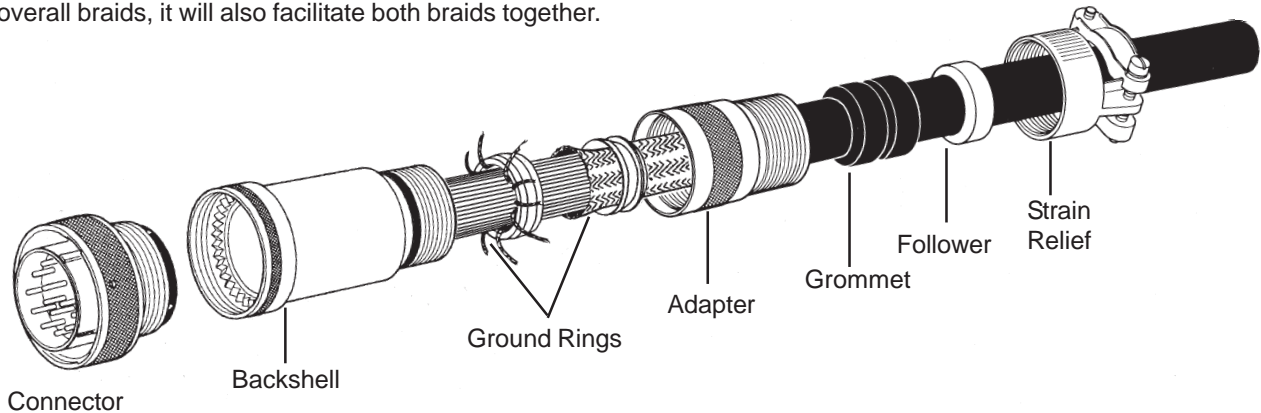
## TYPE E SHIELD TERMINATION

This is a light duty termination for either overall or individual shield termination or both. Two or three ground rings are utilized, the two ring style can be used for grounding either individual or overall shields. For grounding both individual and overall shields.



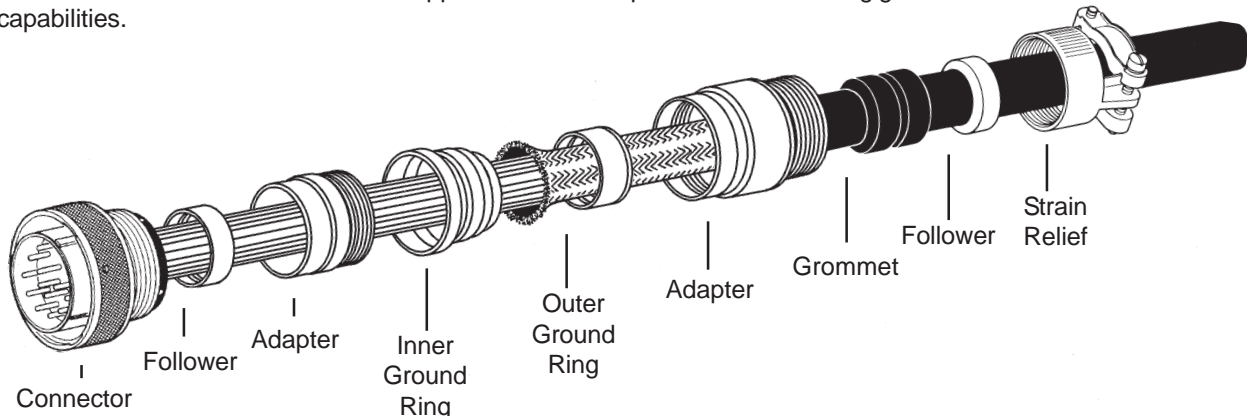
## TYPE F SHIELD TERMINATION

A medium duty termination that also provides for grounding individual, overall, or both shields together. The forward ground ring has an angled surface on both sides, providing an area to fold back and fold forward the individual or overall braids, it will also facilitate both braids together.



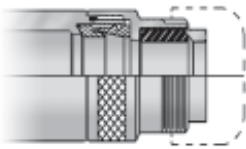
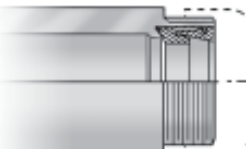
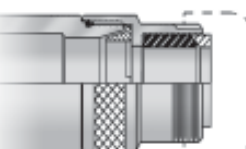
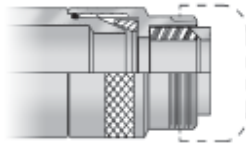
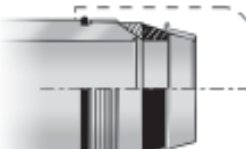
## TYPE G SHIELD TERMINATION

Type G provides a heavy duty method for grounding individual over-all braid. This is a dual ring method, that allows full access to the termination area. Also supplied with an independent cable sealing grommet to achieve water immersion capabilities.



## Quick Page Number Reference Guide

Consult factory for any designs not included within this catalog.

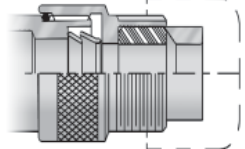
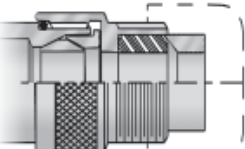
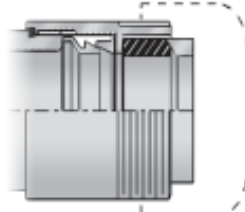
Shield Termination/Cable Sealing Design	Coupling Type	Connector Designators	Page Number				
			Straight	Low Profile	Full Radius Profile	Standard Profile	Split Shell
<b>Type A Shield Terminations</b>							
 <b>Submersible</b>	Rotatable 390-001	A F H L S	39-12	39-12			
	Rotatable 390-013	G	39-14			39-14	
	Direct 390-002	All	39-16	39-16			
 <b>Water-Tight</b>	Rotatable 390-003	A F H L S	39-18	39-18			
	Rotatable 390-014	G	39-20			39-20	
	Direct 390-004	All	39-22	39-22			
<b>Type B Shield Terminations</b>							
 <b>Submersible</b>	Rotatable 390-005	A F H L S	39-24	39-24			
	Rotatable 390-015	G	39-26			39-26	
	Direct 390-006	All	39-28	39-28			
<b>Type C Shield Terminations</b>							
 <b>Submersible</b>	Rotatable 390-007 390-009	A F H L S	39-30 39-34	39-30 39-34			
	Direct 390-008 390-010	All	39-32 39-36	39-32 39-36			
	Rotatable 390-011	A F H L S	39-38	39-38		39-40	
 <b>Splash-Proof</b>	Direct 390-012	All	39-42	39-42			
	Self-Locking 390-059	A F H L S	39-44			39-44	

**Quick Reference Guide**  
**Series 39 EMI/RFI Cable Sealing Backshells**  
 with Strain Relief

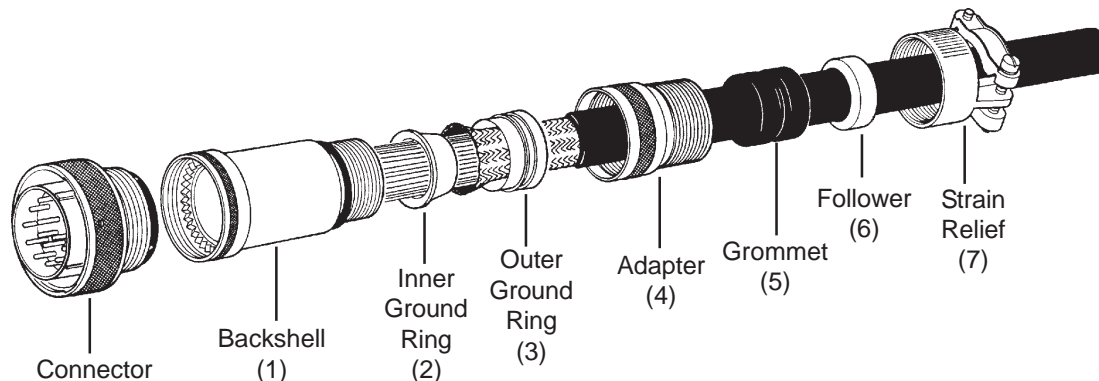


**Quick Page Number Reference Guide**

Consult factory for any designs not included within this catalog.

Cable Entry Design	Coupling Type	Connector Designators	Page Number				
			Straight	Low Profile	Full Radius Profile	Standard Profile	Split Shell
<b>Type E Shield Terminations</b>							
 <b>Submersible</b>	Rotatable 390-056	A F H L S	39-46	39-46	39-48	39-50	
	Direct 390-057	All	39-52	39-52		39-54	
	Self-Locking Rotatable 390-058	A F H L S	39-56		39-56	39-58	
<b>Type F Shield Terminations</b>							
 <b>Submersible</b>	Rotatable 390-053	A F H L S	39-60	39-60	39-62	39-64	
	Direct 390-054	All	39-66	39-66		39-68	
	Self-Locking Rotatable 390-055	A F H L S	39-70		39-70	39-72	
<b>Type G Shield Terminations</b>							
 <b>Submersible</b>	Rotatable 390-036 390-037 390-061	A F H L S	39-74 39-78	39-74 39-78			39-82
	Direct 390-035 390-038	All	39-76 39-80	39-76 39-80			
	Self Locking Rotatable 390-062	A F H L S					39-84

## ASSEMBLY INSTRUCTIONS 39-A TYPE A SHIELD TERMINATION



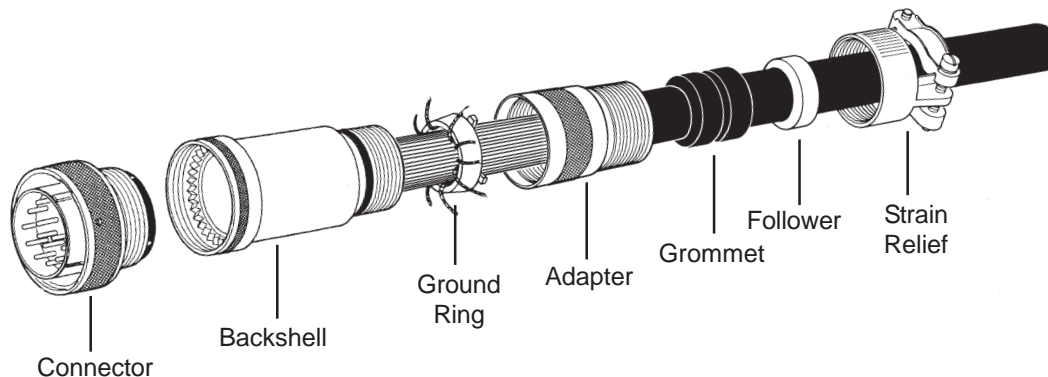
The following suggested procedure serves as a guide for proper assembly and installation of Glenair's EMI/RFI Cable Sealing Backshells (Type A shield termination). It is recommended that trial samples of appropriate cables be used to determine proper trim dimensions of the cable jackets, overall shield and individual conductors.

- a. Temporarily assemble backshell (1) to connector.
  - b. Place remaining backshell assembly components (2 through 7) on cable in sequence shown. Keep these components at a convenient distance from the end of the cable, so they will not interfere with subsequent assembly steps.
  - c. Insert cable into backshell (1) and bottom against connector. Hold cable in position and mark cable jacket at rear end of backshell (1).
- CAUTION:** If cable conductors are to have service loops, or if conductors will have crossovers, etc., allow sufficient added length to cable to compensate for these factors.
- d. Remove backshell (1) from connector and place on cable with components in step (b) above.
  - e. Trim cable jacket and shield at mark made in step (c) above (allowing for service loops and crossovers).

- f. Strip jacket 3/4 inch back from trim point in step (e) to expose shield.
- g. Prepare and terminate cable conductors in accordance with established practices.
- h. Assemble backshell (1) to connector and tighten securely. Slide inner ground ring (2) into backshell (1).
- i. Flare shield over tapered end of inner ground ring (2) and gently force cable toward connector until shield covers taper of ring (2).
- j. Insert outer ground ring (3) into backshell (1) over shield.
- k. Engage adapter (4) on backshell (1) and tighten securely.
- l. Insert grommet (5) and follower (6) into adapter (4).
- m. Engage strain relief (7) and tighten securely. Tighten strain relief saddles on cable jacket.

**NOTE:** As with any electrical connector assembly procedure, be sure to use the proper tools. For convenient, reliable assembly of the connector and backshell, it is suggested that Glenair's connector holding tools, strap wrenches and connector pliers be used.

## ASSEMBLY INSTRUCTIONS 39-B TYPE B SHIELD TERMINATION



The following suggested procedure serves as a guide for the proper assembly and installation of Glenair EMI/RFI Environmental Backshells (Type B shield termination). It is recommended that trial samples of appropriate cables or harnesses be used to determine proper trim dimensions of the outer shield and individual conductors.

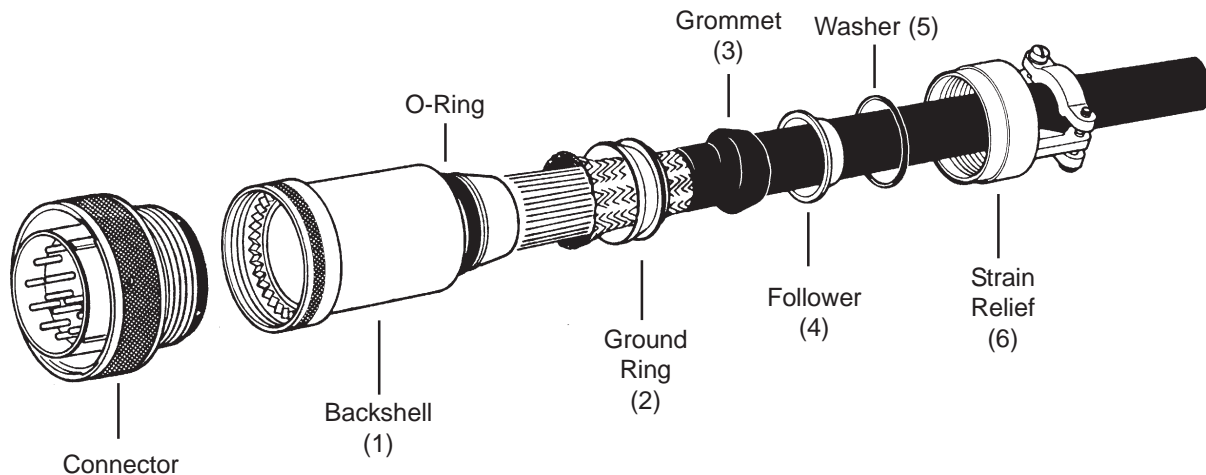
- a. Temporarily assemble backshell to connector.
- b. Place ground ring, adapter, grommet, follower, and strain relief on the cable in sequence shown. Keep these components at a convenient distance from the end of the cable, so they will not interfere with subsequent assembly steps.
- c. Insert cable or harness into backshell and bottom against connector.
- d. Remove backshell from connector and place on cable with items in step (b) above.
- e. Trim outer shield at mark made in step (c) above. This procedure is for individually shielded conductors.
- f. Extract shield pigtail from individual conductor's. Tape or tie pigtails to the bundle.
- g. Prepare and terminate contacts to individual conductors in accordance with established practices. (Crimp or solder in place.)

- h. Slide adapter forward to connector, and tighten securely.
- i. Move the four footed ground ring forward near the rear of the adapter. Untie individual pigtails, and flare back over ground ring so as to evenly disperse pigtails through the (4) quadrants of the ring. Tie or tape pigtails back to bundle, allowing for approx. 1/2 inch of slack, for subsequent step.
- j. Push ground ring forward and into the angled area at the rear of the backshell adapter. Engage rear, adapter and thread onto front adapter, providing the shield grounding.
- k. Slide rubber grommet forward into counter bore of rear adapter, making sure the cable jacket passes through grommet, slide follower onto rear of grommet.
- l. Engage strain relief with adapter and tighten securely, tighten strain relief saddles securely on cable or harness, this will then provide the environmental seal on cable. (This same procedure can also be utilized for overall shield.)

NOTE: As with any electrical connector assembly procedure, be sure to use the proper tools. For convenient, reliable assembly of the connector and backshell, it is suggested that Glenair's connector holding tools, strap wrenches and connector pliers be used.



## ASSEMBLY INSTRUCTIONS 39-C TYPE C SHIELD TERMINATION



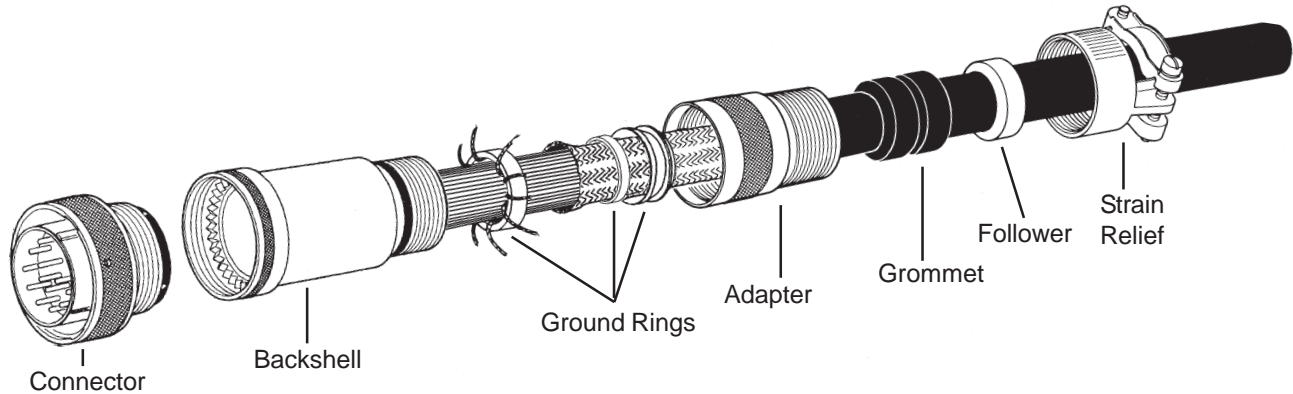
The following suggested procedure serves as a guide for proper assembly and installation of Glenair EMI/RFI Cable Sealing Backshells (Type C shield termination). It is recommended that trial samples of appropriate cables be used to determine proper trim dimensions of the cable jacket, shield and individual conductors.

- a. Temporarily assemble backshell (1) to connector.
  - b. Place remaining backshell assembly components (2 through 6) on cable in sequence shown. Keep these components at a convenient distance from the end of the cable, so they will not interfere with subsequent assembly steps.
  - c. Insert cable into backshell (1) and bottom against connector. Hold cable in position and mark cable jacket at rear end of backshell (1).
- CAUTION:** If cable conductors are to have service loops, or if conductors will have crossovers, etc., allow sufficient added length to cable to compensate for these factors.
- d. Remove backshell (1) from connector and place on cable with components in step (b) above.

- e. Trim cable jacket and shield at mark made in step (c) above (allowing for service loops and crossovers).
- f. Strip jacket 1/4 inch back from trim point in step (e) to expose overall shield.
- g. Prepare and terminate cable conductors in accordance with established practices.
- h. Assemble backshell (1) to connector and tighten securely.
- i. Flare shield over tapered end of backshell (1) and slide ground ring (2) into place over shield. Hold ring in position and trim any exposed shield stands adjacent to rear threads on backshell.
- j. Slide grommet (3), follower (4) and washer (5) against ground ring (2).
- k. Engage strain relief (6) with backshell and tighten securely. Tighten strain relief saddles on cable jacket.

**NOTE:** As with any electrical connector assembly procedure, be sure to use the proper tools. For convenient, reliable assembly of the connector and backshell, it is suggested that Glenair's connector holding tools, strap wrenches and connector pliers be used.

## ASSEMBLY INSTRUCTIONS 39-E TYPE E SHIELD TERMINATION

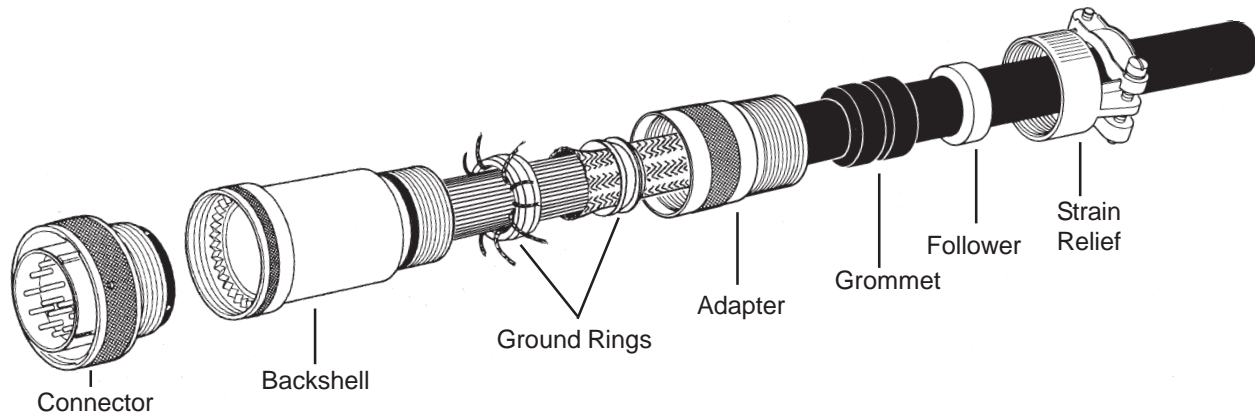


The following suggested procedure serves as a guide for the proper assembly and installation of Glenair EMI/RFI Environmental Backshells (Type E shield termination). It is recommended that trial samples of appropriate cables or harnesses be used to determine proper trim dimensions of the outer shield and individual conductors. This procedure is for the three ring style.

- a. Temporarily assemble backshell to connector.
- b. Place ground rings, adapters, grommet, follower, and strain relief on the cable in sequence shown. Keep these components at a convenient distance from the end of the cable, so they will not interfere with subsequent assembly steps.
- c. Insert cable into backshell and bottom against connector. Hold cable in position and mark outer shield at rear end of backshell adapter.
- d. Remove backshell from connector and place on cable with items in step (b) above.
- e. Trim outer shield at mark made in step (c) above. This procedure is for individually shielded conductors.
- f. Extract shield pigtail from individual conductor's. Tape or tie pigtails to the bundle.
- g. Prepare and terminate contacts to individual conductors in accordance with established practices. (Crimp or solder in place.)
- h. Slide adapter forward to connector, and tighten securely.
- i. Remove tape or untie pigtails from bundle. Slide ground rings (2) forward to flared-out pigtails. Fold pigtails back over ground ring (2) tie back to bundle leaving about 1/2" to 1" slack.
- j. Bring ground ring (3) for overall braid, fold braid back over ring (3), push forward onto ring (2). Slide ground ring (4) onto overall braid and onto ring (3). . . push all three rings forward into the counter bore at the rear of backshell (1). Engage rear, adapter and thread onto front adapter, providing the shield grounding.
- k. Slide rubber grommet forward into counter bore of rear adapter, making sure the cable jacket passes through grommet, slide follower onto rear of grommet.
- l. Engage strain relief with adapter and tighten securely, tighten strain relief saddles securely on cable or harness, this will then provide the environmental seal on cable. (This same procedure can also be utilized for overall shield.)

NOTE: As with any electrical connector assembly procedure, be sure to use the proper tools. For convenient, reliable assembly of the connector and backshell, it is suggested that Glenair's connector holding tools, strap wrenches and connector pliers be used.

## ASSEMBLY INSTRUCTIONS 39-F TYPE F SHIELD TERMINATION

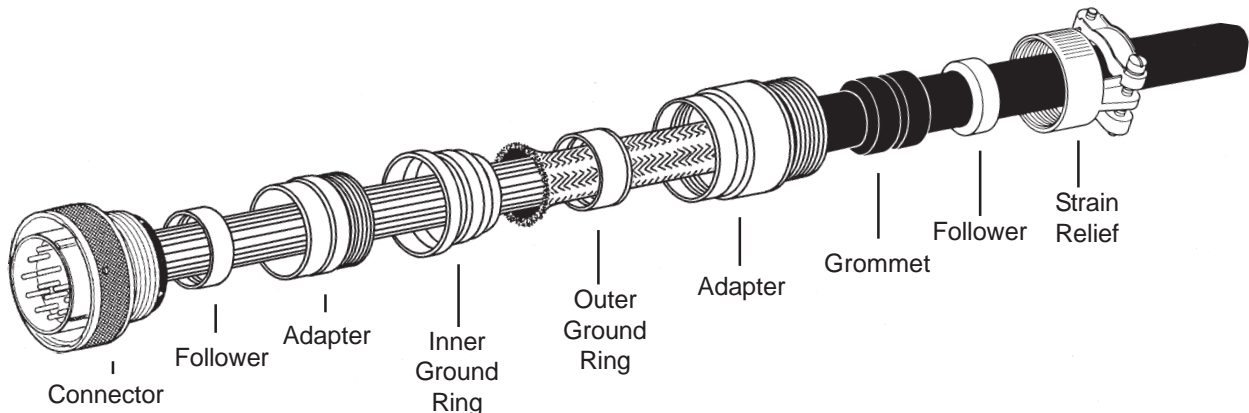


The following suggested procedure serves as a guide for the proper assembly and installation of Glenair EMI/RFI Environmental Backshells (Type F shield termination). It is recommended that trial samples of appropriate cables or harnesses be used to determine proper trim dimensions of the outer shield and individual conductors.

- a. Temporarily assemble backshell to connector.
- b. Place ground rings, adapters, grommet, follower, and strain relief on the cable in sequence shown. Keep these components at a convenient distance from the end of the cable, so they will not interfere with subsequent assembly steps.
- c. Insert cable into backshell and bottom against connector. Hold cable in position and mark outer shield at rear end of backshell adapter.
- d. Remove backshell from connector and place on cable with items in step (b) above.
- e. Trim outer shield at mark made in step (c) above. This procedure is for individually shielded conductors.
- f. Extract shield pigtail from individual conductor's. Tape or tie pigtails to the bundle.
- g. Prepare and terminate contacts to individual conductors in accordance with established practices. (Crimp or solder in place.)
- h. Slide adapter forward to connector, and tighten securely.
- i. Move the four footed ground ring forward near the rear of the adapter. Untie individual pigtails, and flare back over ground ring so as to evenly disperse pigtails through the (4) quadrants of the ring. Tie or tape pigtails back to bundle, allowing for approx. 1/2 inch of slack, for subsequent step.
- j. Push ground ring forward and into the angled area at the rear of the backshell adapter. Engage rear, adapter and thread onto front adapter, providing the shield grounding.
- k. Slide rubber grommet forward into counter bore of rear adapter, making sure the cable jacket passes through grommet, slide follower onto rear of grommet.
- l. Engage strain relief with adapter and tighten securely, tighten strain relief saddles securely on cable or harness, this will then provide the environmental seal on cable. (This same procedure can also be utilized for overall shield.)

**NOTE:** As with any electrical connector assembly procedure, be sure to use the proper tools. For convenient, reliable assembly of the connector and backshell, it is suggested that Glenair's connector holding tools, strap wrenches and connector pliers be used.

## ASSEMBLY INSTRUCTIONS 39-G TYPE G SHIELD TERMINATION



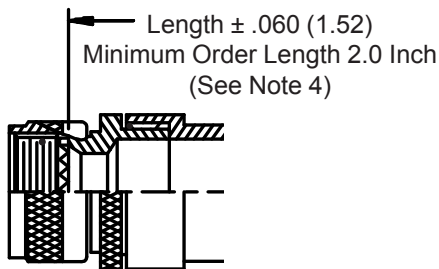
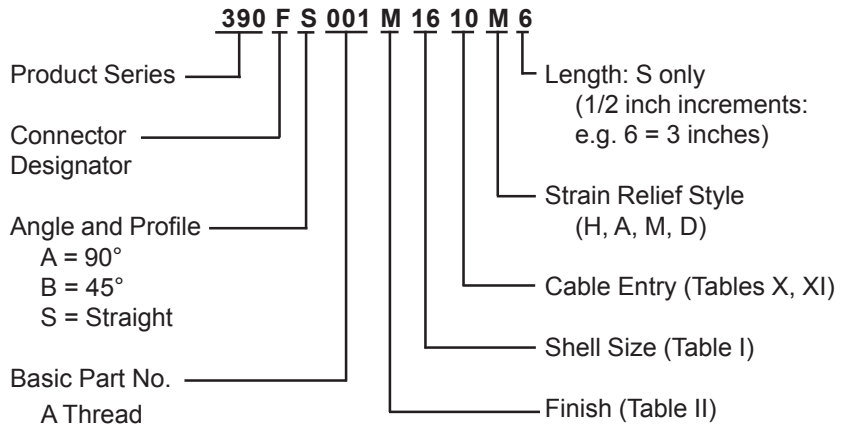
The following suggested procedure serves as a guide for the proper assembly and installation of Glenair EMI/RFI Environmental Backshells (Type G shield termination). It is recommended that trial samples of appropriate cables or harnesses be used to determine proper trim dimensions of the outer shield and individual conductors.

- a. Temporarily assemble backshell to connector.
- b. Place ground rings, adapters, grommet, follower, and strain relief on the cable in sequence shown. Keep these components at a convenient distance from the end of the cable, so they will not interfere with subsequent assembly steps.
- c. Insert cable into backshell and bottom against connector. Hold cable in position and mark outer shield at rear end of backshell adapter.
- d. Remove backshell from connector and place on cable with items in step (b) above.
- e. Trim outer shield at mark made in step (c) above. This procedure is for individually shielded conductors.
- f. Extract shield pigtail from individual conductor's. Tape or tie pigtails to the bundle.
- g. Prepare and terminate contacts to individual conductors in accordance with established practices. (Crimp or solder in place.)
- h. Slide adapter forward to connector, and tighten securely.
- i. Bring front ground ring forward to the front adapter (A) for individual termination untie or remove tape from step F and disperse evenly the individual pigtails over the tapered angle of the front ground ring (Note: pigtails may be spot-tied onto groove in ground ring). (B) for overall braid termination, slide braid forward over the tapered end of front ground ring, allow braid to bottom on ground ring shoulder.
- j. Slide rear ground ring forward to seat on matching angle of front ground ring. Engage rear, adapter and thread onto front adapter, providing the shield grounding.
- k. Slide rubber grommet forward into counter bore of rear adapter, making sure the cable jacket passes through grommet, slide follower onto rear of grommet.
- l. Engage strain relief with adapter and tighten securely, tighten strain relief saddles securely on cable or harness, this will then provide the environmental seal on cable. (This same procedure can also be utilized for overall shield.)

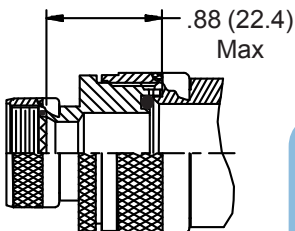
**NOTE:** As with any electrical connector assembly procedure, be sure to use the proper tools. For convenient, reliable assembly of the connector and backshell, it is suggested that Glenair's connector holding tools, strap wrenches and connector pliers be used.

**CONNECTOR  
 DESIGNATORS  
 A-F-H-L-S  
 ROTATABLE  
 COUPLING**

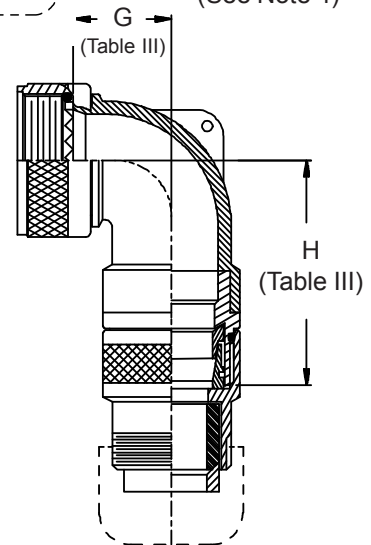
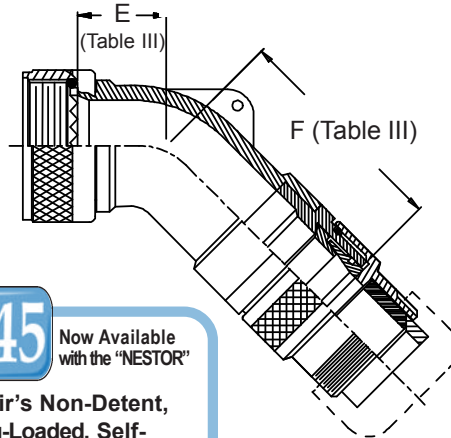
**TYPE A OVERALL  
 SHIELD TERMINATION**



**STYLE 2  
 (STRAIGHT  
 See Note 1)**

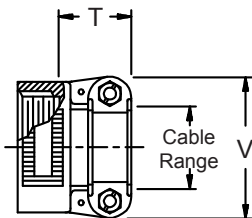


**STYLE 2  
 (45° & 90°  
 See Note 1)**

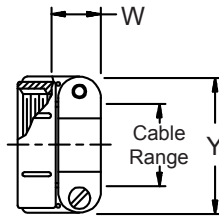


**-445** Now Available with the "NESTOR"  
 Glenair's Non-Detent, Spring-Loaded, Self-Locking Coupling.  
 Add "-445" to Specify This AS85049 Style "N" Coupling Interface.

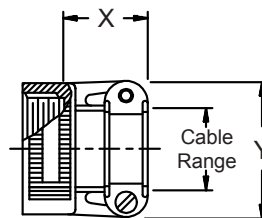
**STYLE H  
 Heavy Duty  
 (Table X)**



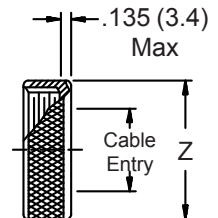
**STYLE A  
 Medium Duty  
 (Table XI)**



**STYLE M  
 Medium Duty  
 (Table XI)**



**STYLE D  
 Medium Duty  
 (Table XI)**









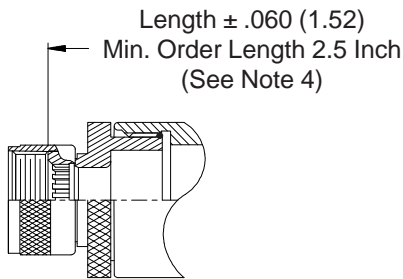
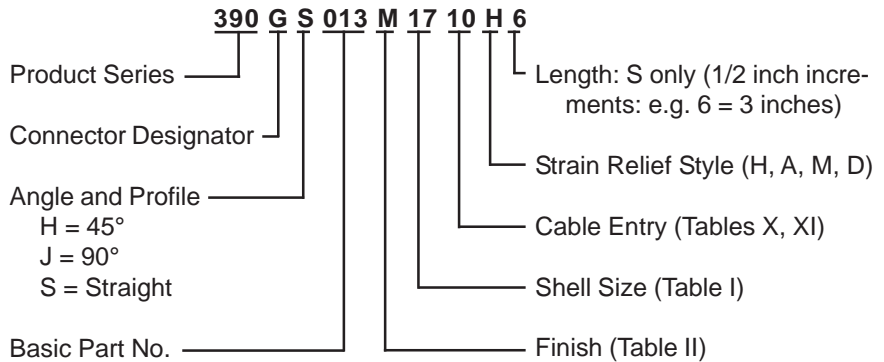
**390-013**  
**Submersible EMI/RFI Cable Sealing Backshell**  
**with Strain Relief**  
**Type A - Rotatable Coupling - Standard Profile**

**CONNECTOR  
DESIGNATOR**

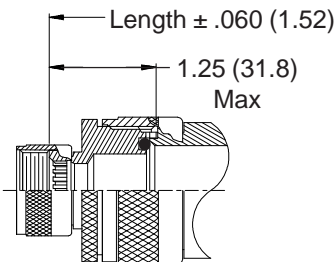
**G**

**ROTATABLE  
COUPLING**

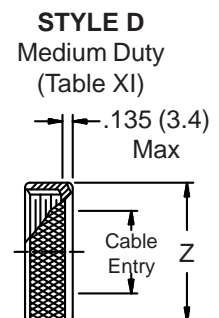
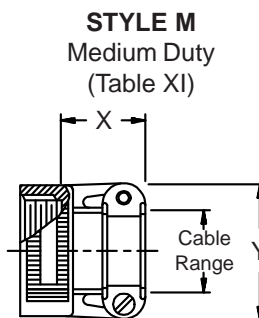
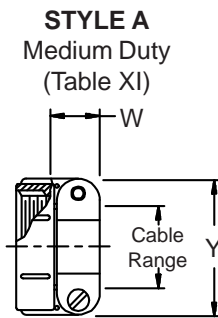
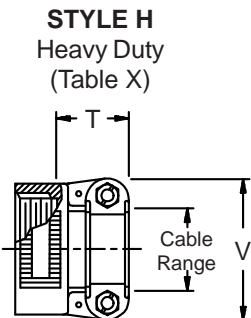
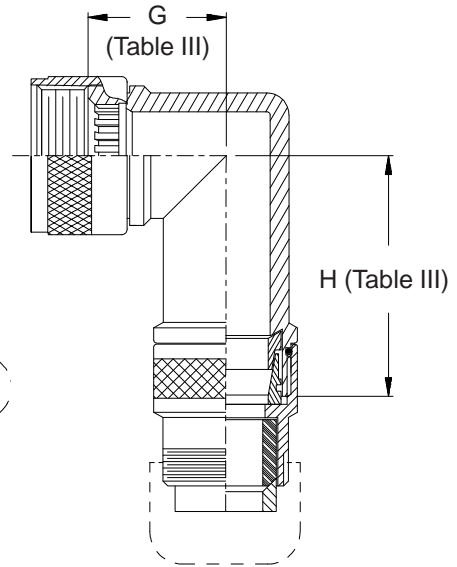
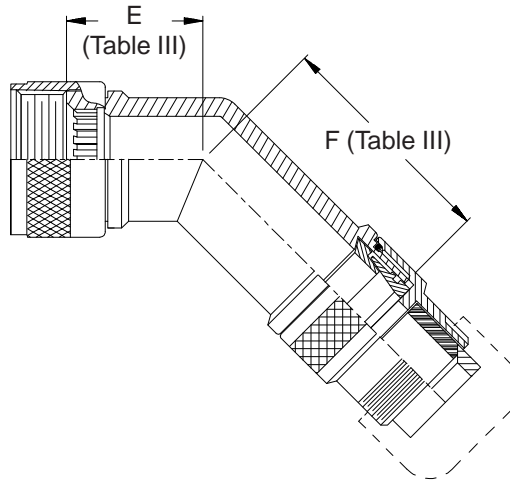
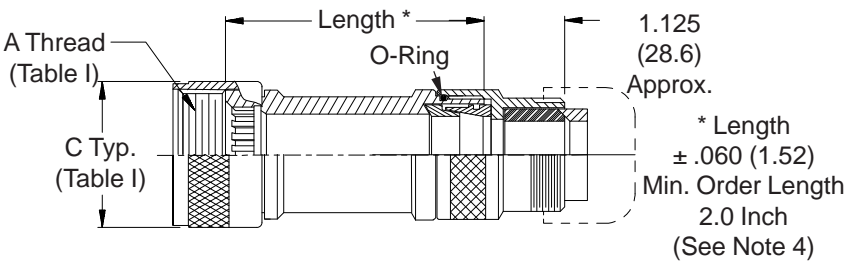
**TYPE A  
OVERALL SHIELD  
TERMINATION**



**STYLE 2  
(STRAIGHT  
See Note 1)**



**STYLE 2  
(45° & 90°  
See Note 1)**



**390-013**  
**Submersible EMI/RFI Cable Sealing Backshell**  
**with Strain Relief**  
**Type A - Rotatable Coupling - Standard Profile**



**TABLE III: ELBOW DIMENSIONS**

Shell Size	E Max	F Max	G Max	H Max
11	1.240 (31.5)	2.060 (52.3)	1.380 (35.1)	2.200 (55.9)
13	1.260 (32.0)	2.080 (52.8)	1.440 (36.6)	2.260 (57.4)
15	1.290 (32.8)	2.360 (59.9)	1.500 (38.1)	2.580 (65.5)
17	1.310 (33.3)	2.380 (60.5)	1.570 (39.9)	2.640 (67.1)
19	1.340 (34.0)	2.500 (63.5)	1.630 (41.4)	2.810 (71.4)
23	1.380 (35.1)	2.540 (64.5)	1.730 (43.9)	2.890 (73.4)
25	1.410 (35.8)	2.570 (65.3)	1.800 (45.7)	2.960 (75.2)
29	1.580 (40.1)	2.800 (71.1)	2.040 (51.8)	3.260 (82.8)
33	1.620 (41.1)	2.820 (71.6)	2.130 (54.1)	3.330 (84.6)

See inside back cover fold-out or pages 13 and 14 for Tables I and II.

**TABLE X: CABLE ENTRY**

Dash No.	T Max	V Max	Cable Range	
			Min	Max
04	.780 (19.8)	.957 (24.3)	.125 (3.2)	.312 (7.9)
06	.780 (19.8)	1.145 (29.1)	.250 (6.4)	.437 (11.1)
08	.780 (19.8)	1.332 (33.8)	.387 (9.8)	.562 (14.3)
10	.780 (19.8)	1.332 (33.8)	.350 (8.9)	.625 (15.9)
12	.811 (20.6)	1.551 (39.4)	.500 (12.7)	.750 (19.1)
16	.905 (23.0)	1.770 (45.0)	.625 (15.9)	.937 (23.8)
20	1.092 (27.7)	2.113 (53.7)	.875 (22.2)	1.250 (31.8)
24	1.124 (28.5)	2.363 (60.0)	1.000 (25.4)	1.375 (34.9)
28	1.399 (35.5)	2.770 (70.4)	1.250 (31.8)	1.625 (41.3)
32	1.399 (35.5)	3.020 (76.7)	1.437 (36.5)	1.875 (47.6)

- When maximum cable entry (page 21) is exceeded, Style 2 will be supplied. Dimensions E, F, G and H will not apply. Please consult factory.
- Metric dimensions (mm) are indicated in parentheses.
- Cable range is defined as the accommodations range for the wire bundle or cable. Dimensions shown are not intended for inspection criteria.
- Consult factory for shorter lengths on straight backshells.

**TABLE XI: CABLE ENTRY**

Dash No.	W Max	X Max	Y Max	Z Max	Cable Range	
					Min	Max
03*	.437 (11.1)	.760 (19.3)	.843 (21.4)	.630 (16.0)	.156 (4.0)	.250 (6.4)
04*	.437 (11.1)	.760 (19.3)	.906 (23.0)	.755 (19.2)	.188 (4.8)	.312 (7.9)
06*	.500 (12.7)	.760 (19.3)	1.093 (27.8)	.942 (23.9)	.281 (7.1)	.438 (11.1)
08	.563 (14.3)	.760 (19.3)	1.187 (30.1)	1.067 (27.1)	.387 (9.8)	.562 (14.3)
10	.563 (14.3)	.760 (19.3)	1.281 (32.5)	1.192 (30.3)	.375 (9.5)	.625 (15.9)
12	.563 (14.3)	.760 (19.3)	1.500 (38.1)	1.380 (35.1)	.438 (11.1)	.750 (19.1)
16	.656 (16.7)	1.073 (27.3)	1.719 (43.7)	1.535 (39.0)	.625 (15.9)	.938 (23.8)
20	.656 (16.7)	1.323 (33.6)	2.062 (52.4)	1.848 (46.9)	.875 (22.2)	1.250 (31.8)
24	.656 (16.7)	1.323 (33.6)	2.312 (58.7)	2.255 (57.3)	1.000 (25.4)	1.375 (34.9)
28	1.188 (30.2)	1.572 (39.9)	2.719 (69.1)	2.505 (63.6)	1.250 (31.8)	1.625 (41.3)
32*	1.187 (30.1)	1.572 (39.9)	2.969 (75.4)	2.755 (70.0)	1.437 (36.5)	1.875 (47.6)
40*	1.125 (28.6)	1.572 (39.9)	3.531 (89.7)	3.255 (82.7)	1.875 (47.6)	2.375 (60.3)

\* Not available in Style M clamp.

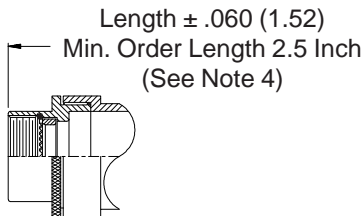
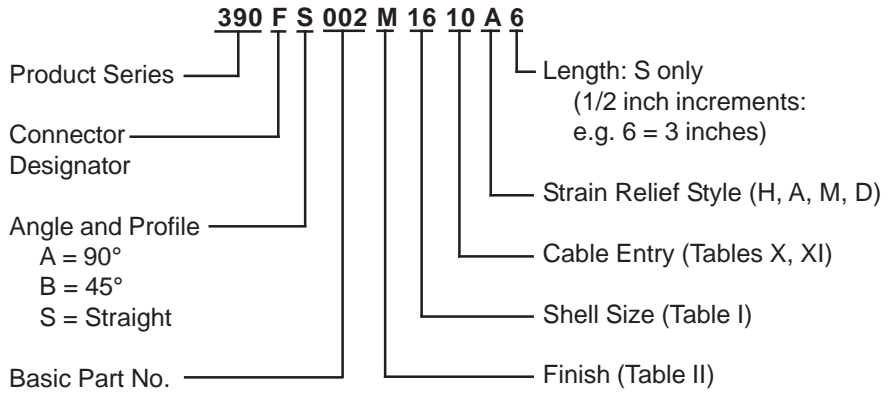


Add "-445" to Specify Glenair's Non-Detent, ("NESTOR") Spring-Loaded, Self-Locking Coupling. See Page 41 for Details.

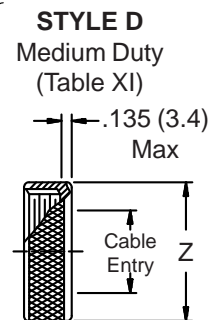
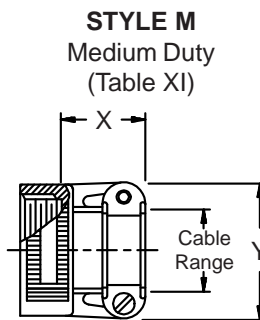
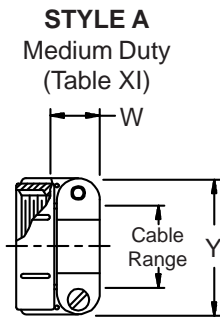
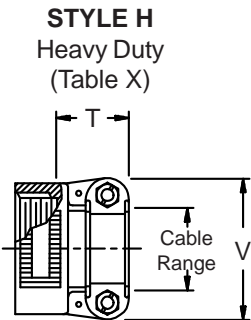
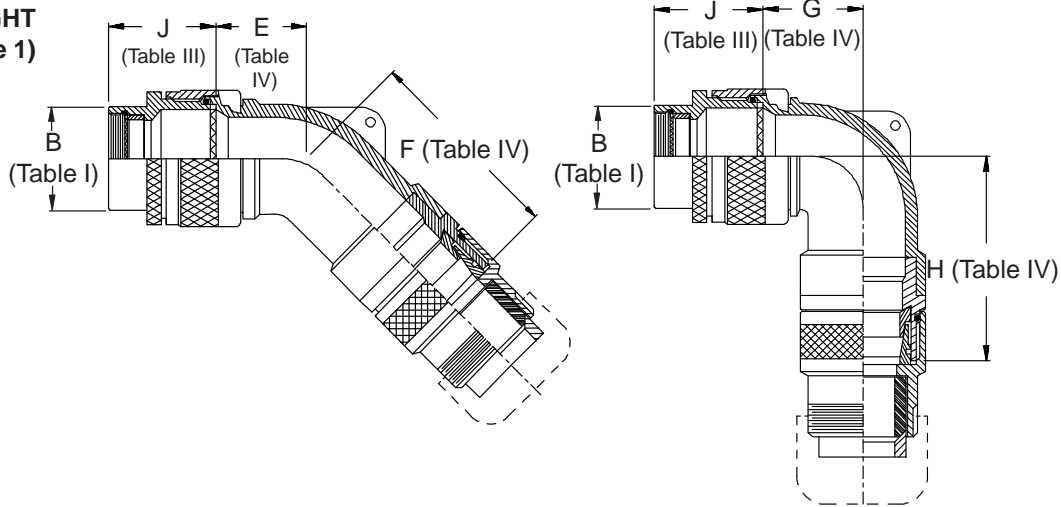
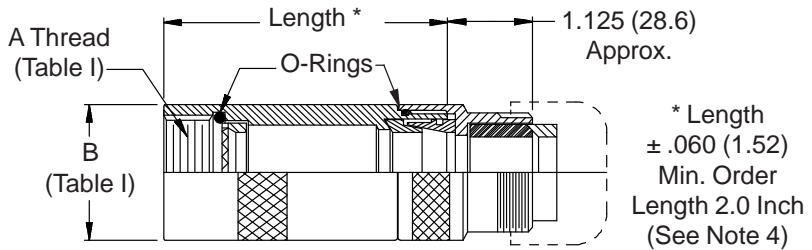
**CONNECTOR  
 DESIGNATORS**  
**A-B\*-C-D-E-F**  
**G-H-J-K-L-S**

\* Conn. Desig. B See Note 5  
**DIRECT COUPLING**

**TYPE A OVERALL  
 SHIELD TERMINATION**



**STYLE 2  
 (STRAIGHT  
 See Note 1)**



**390-002**  
**Submersible EMI/RFI Cable Sealing Backshell**  
with Strain Relief  
**Type A - Direct Coupling - Low Profile**



See inside back cover fold-out or pages 13 and 14 for Tables I and II.

TABLE III: FRONT ADAPTER			
Shell Size	J Max - Conn. Designator		
	A-E-F		
	J-H-L-S	D-B-G-K	C
08/09	1.180(30.0)	1.440(36.6)	
10/11	1.180(30.0)	1.440(36.6)	
12/13	1.180(30.0)	1.440(36.6)	1.735(44.1)
14/15	1.180(30.0)	1.440(36.6)	1.915(48.6)
16/17	1.380(35.0)	1.560(39.6)	1.915(48.6)
18/19	1.380(35.0)	1.560(39.6)	1.915(48.6)
20/21	1.380(35.0)	1.560(39.6)	1.915(48.6)
22/23	1.380(35.0)	1.560(39.6)	1.915(48.6)
24/25	1.380(35.0)	1.560(39.6)	1.915(48.6)
28/29	1.610(40.9)	1.560(39.6)	1.915(48.6)
32/33	1.610(40.9)	1.750(44.5)	1.915(48.6)
36	1.610(40.9)	1.750(44.5)	1.915(48.6)
40	1.610(40.9)	2.190(55.6)	1.915(48.6)

TABLE IV: ELBOW DIMENSIONS								
Dash No.	E		F		G		H	
	Max		Max		Max		Max	
04	.630	(16.0)	2.117	(53.8)	.636	(16.2)	2.067	(52.5)
06	.630	(16.0)	2.117	(53.8)	.710	(18.0)	2.187	(55.5)
08	.692	(17.6)	2.179	(55.3)	.731	(18.6)	2.207	(56.1)
10	.755	(19.2)	2.862	(72.7)	.825	(21.0)	2.867	(72.8)
12	.848	(21.5)	2.972	(75.5)	.988	(25.1)	2.957	(75.1)
16	1.036	(26.3)	3.159	(80.2)	1.087	(27.6)	3.132	(79.6)
20	1.130	(28.7)	3.368	(85.5)	1.325	(33.7)	3.303	(83.9)
24	1.255	(31.9)	3.408	(86.6)	1.337	(34.0)	3.453	(87.7)
28	1.317	(33.5)	3.553	(90.2)	1.827	(46.4)	3.703	(94.1)
32	1.348	(34.2)	3.646	(92.6)	2.027	(51.5)	3.753	(95.3)

TABLE X: CABLE ENTRY						
Dash No.	T Max	V Max	Cable Range			
			Min			
			Max			
04	.780 (19.8)	.957 (24.3)	.125 (3.2)	.312 (7.9)		
06	.780 (19.8)	1.145 (29.1)	.250 (6.4)	.437 (11.1)		
08	.780 (19.8)	1.332 (33.8)	.387 (9.8)	.562 (14.3)		
10	.780 (19.8)	1.332 (33.8)	.350 (8.9)	.625 (15.9)		
12	.811 (20.6)	1.551 (39.4)	.500 (12.7)	.750 (19.1)		
16	.905 (23.0)	1.770 (45.0)	.625 (15.9)	.937 (23.8)		
20	1.092 (27.7)	2.113 (53.7)	.875 (22.2)	1.250 (31.8)		
24	1.124 (28.5)	2.363 (60.0)	1.000 (25.4)	1.375 (34.9)		
28	1.399 (35.5)	2.770 (70.4)	1.250 (31.8)	1.625 (41.3)		
32	1.399 (35.5)	3.020 (76.7)	1.437 (36.5)	1.875 (47.6)		

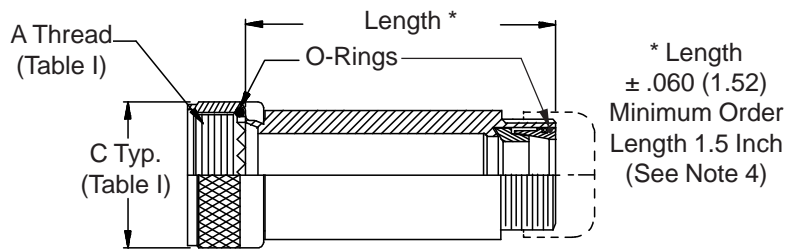
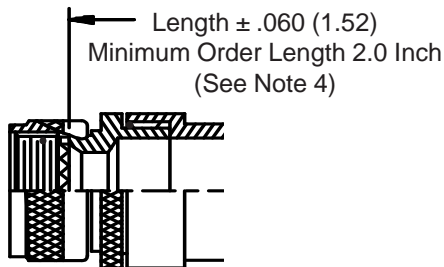
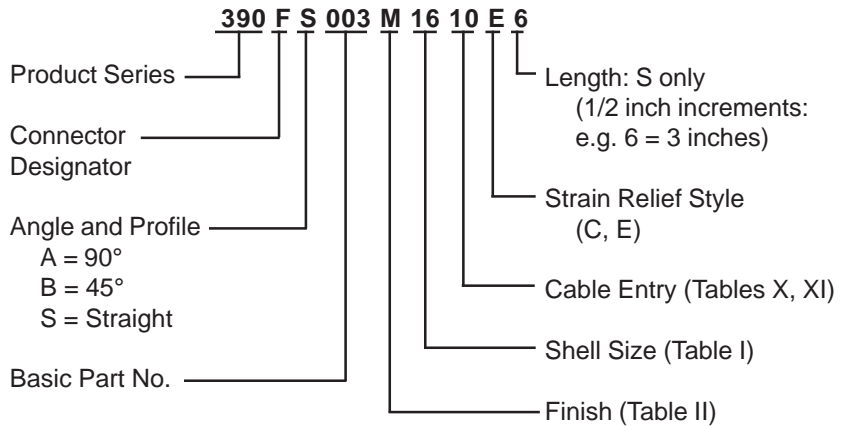
- When maximum cable entry (page 22) is exceeded, Style 2 will be supplied. (Function S only).
- Metric dimensions (mm) are indicated in parentheses.
- Cable range is defined as the accommodations range for the wire bundle or cable. Dimensions shown are not intended for inspection criteria.
- Consult factory for shorter lengths on straight backshells.
- When using Connector Designator B refer to pages 18 and 19 for part number development.

TABLE XI: CABLE ENTRY							
Dash No.	W Max	X Max	Y Max	Z Max	Cable Range		
					Min		
					Max		
03*	.437 (11.1)	.760 (19.3)	.843 (21.4)	.630 (16.0)	.156 (4.0)	.250 (6.4)	
04*	.437 (11.1)	.760 (19.3)	.906 (23.0)	.755 (19.2)	.188 (4.8)	.312 (7.9)	
06*	.500 (12.7)	.760 (19.3)	1.093 (27.8)	.942 (23.9)	.281 (7.1)	.438 (11.1)	
08	.563 (14.3)	.760 (19.3)	1.187 (30.1)	1.067 (27.1)	.387 (9.8)	.562 (14.3)	
10	.563 (14.3)	.760 (19.3)	1.281 (32.5)	1.192 (30.3)	.375 (9.5)	.625 (15.9)	
12	.563 (14.3)	.760 (19.3)	1.500 (38.1)	1.380 (35.1)	.438 (11.1)	.750 (19.1)	
16	.656 (16.7)	1.073 (27.3)	1.719 (43.7)	1.535 (39.0)	.625 (15.9)	.938 (23.8)	
20	.656 (16.7)	1.323 (33.6)	2.062 (52.4)	1.848 (46.9)	.875 (22.2)	1.250 (31.8)	
24	.656 (16.7)	1.323 (33.6)	2.312 (58.7)	2.255 (57.3)	1.000 (25.4)	1.375 (34.9)	
28	1.188 (30.2)	1.572 (39.9)	2.719 (69.1)	2.505 (63.6)	1.250 (31.8)	1.625 (41.3)	
32*	1.187 (30.1)	1.572 (39.9)	2.969 (75.4)	2.755 (70.0)	1.437 (36.5)	1.875 (47.6)	
40*	1.125 (28.6)	1.572 (39.9)	3.531 (89.7)	3.255 (82.7)	1.875 (47.6)	2.375 (60.3)	

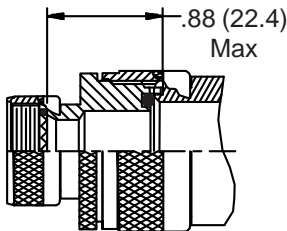
\* Not available in Style M clamp.

**CONNECTOR  
 DESIGNATORS  
 A-F-H-L-S  
 ROTATABLE  
 COUPLING**

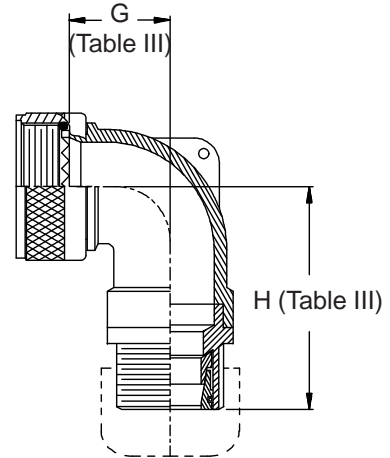
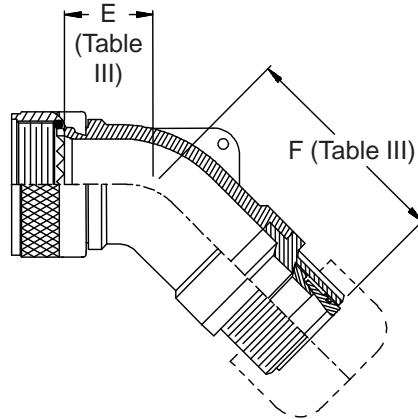
**TYPE A OVERALL  
 SHIELD TERMINATION**



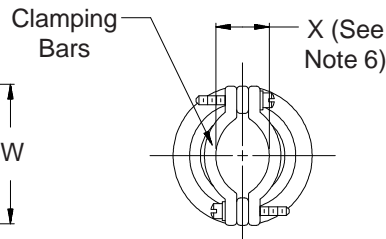
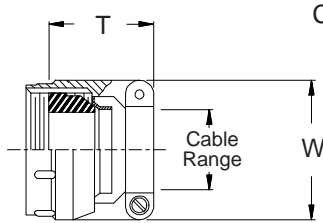
**STYLE 2  
 (STRAIGHT  
 See Note 1)**



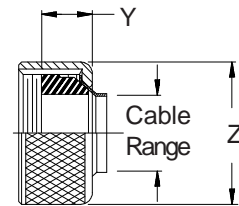
**STYLE 2  
 (45° & 90°  
 See Note 1)**



**STYLE C  
 Medium Duty  
 (Table X)**



**STYLE E  
 Medium Duty  
 (Table XI)**



**390-003**  
**Water-Tight EMI/RFI Cable Sealing Backshell**  
 with Strain Relief  
 Type A - Rotatable Coupling - Low Profile



See inside back cover fold-out or pages 13 and 14 for Tables I and II.

TABLE III: ELBOW DIMENSIONS									
Shell Size		E		F		G		H	
Conn. Desig.		Max		Max		Max		Max	
A-F-L-S	H								
08	09	.457	(11.6)	1.602	(40.7)	.500	(12.7)	1.612	(40.9)
10	11	.520	(13.2)	1.662	(42.2)	.595	(15.1)	1.732	(44.0)
12	13	.582	(14.8)	1.722	(43.7)	.610	(15.5)	1.752	(44.5)
14	15	.645	(16.4)	2.062	(52.4)	.700	(17.8)	2.072	(52.6)
16	17	.738	(18.7)	2.172	(55.2)	.885	(22.5)	2.162	(54.9)
18	19	.926	(23.5)	2.362	(60.0)	.975	(24.8)	2.332	(59.2)
20	21	.926	(23.5)	2.362	(60.0)	.975	(24.8)	2.332	(59.2)
22	23	1.020	(25.9)	2.512	(63.8)	1.125	(28.6)	2.442	(62.0)
24	25	1.020	(25.9)	2.512	(63.8)	1.125	(28.6)	2.442	(62.0)
28		1.145	(29.1)	2.562	(65.1)	1.225	(31.1)	2.612	(66.3)
32		1.207	(30.7)	2.662	(67.6)	1.575	(40.0)	2.862	(72.7)
36		1.238	(31.4)	2.752	(69.9)	1.775	(45.1)	2.862	(72.7)

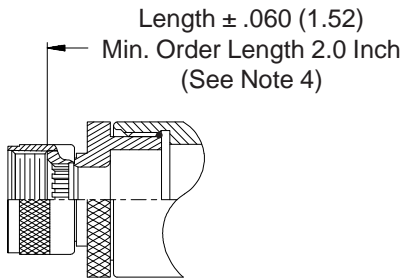
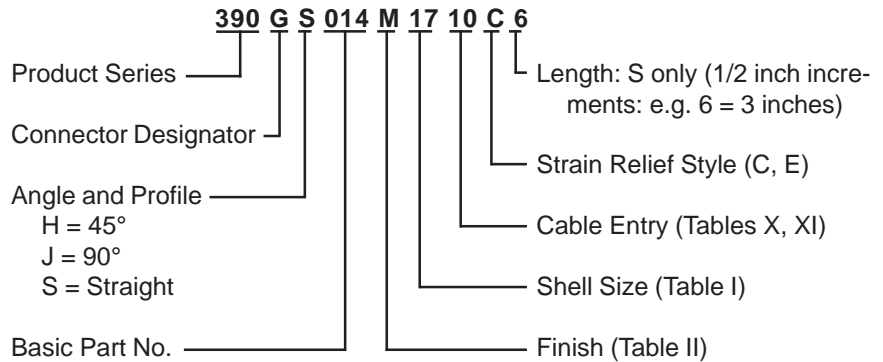
TABLE X: CABLE ENTRY							
Dash No.	T Max	W Max	X Ref	Cable Range			
				Min		Max	
03	1.219 (31.0)	.812 (20.6)	.135 (3.4)	.156 (4.0)	.219 (5.6)		
04	1.219 (31.0)	.937 (23.8)	.203 (5.2)	.188 (4.8)	.312 (7.9)		
06	1.219 (31.0)	1.062 (27.0)	.285 (7.2)	.281 (7.1)	.438 (11.1)		
08	1.219 (31.0)	1.188 (30.2)	.350 (8.9)	.312 (7.9)	.531 (13.5)		
10	1.281 (32.5)	1.312 (33.3)	.390 (9.9)	.375 (9.5)	.625 (15.9)		
12	1.281 (32.5)	1.562 (39.7)	.460 (11.7)	.500 (12.7)	.750 (19.1)		
16	1.406 (35.7)	1.750 (44.5)	.510 (13.0)	.625 (15.9)	.938 (23.8)		
20	1.656 (42.1)	2.250 (57.2)	.695 (17.7)	.938 (23.8)	1.250 (31.8)		
24	1.906 (48.4)	2.375 (60.3)	.715 (18.2)	1.000 (25.4)	1.375 (34.9)		
28	1.906 (48.4)	2.625 (66.7)	.915 (23.2)	1.250 (31.8)	1.625 (41.3)		
32	2.000 (50.8)	2.812 (71.4)	1.070 (27.2)	1.500 (38.1)	1.875 (47.6)		

TABLE XI: CABLE ENTRY					
Dash No.	Y Max	Z Max	Cable Range		
			Min		Max
03	.739 (18.8)	.812 (20.6)	.156 (4.0)	.219 (5.6)	
04	.739 (18.8)	.937 (23.8)	.188 (4.8)	.312 (7.9)	
06	.739 (18.8)	1.062 (27.0)	.281 (7.1)	.438 (11.1)	
08	.739 (18.8)	1.188 (30.2)	.312 (7.9)	.531 (13.5)	
10	.791 (20.1)	1.312 (33.3)	.375 (9.5)	.625 (15.9)	
12	.880 (22.4)	1.562 (39.7)	.500 (12.7)	.750 (19.1)	
16	.901 (22.9)	1.750 (44.5)	.625 (15.9)	.938 (23.8)	
20	1.031 (26.2)	2.250 (57.2)	.938 (23.8)	1.250 (31.8)	
24	1.250 (31.8)	2.375 (60.3)	1.000 (25.4)	1.375 (34.9)	
28	1.250 (31.8)	2.625 (66.7)	1.250 (31.8)	1.625 (41.3)	
32	1.312 (33.3)	2.812 (71.4)	1.500 (38.1)	1.875 (47.6)	

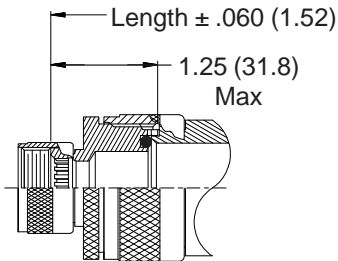
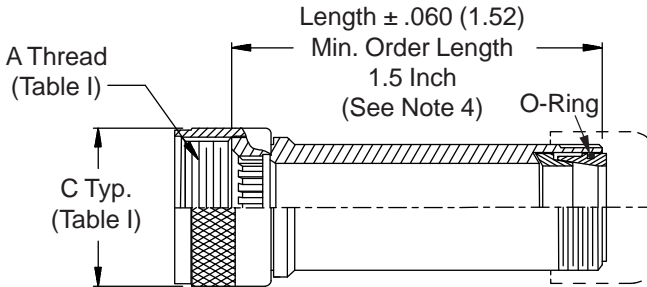
1. When maximum cable entry (page 21) is exceeded, Style 2 will be supplied. Dimensions E, F, G and H will not apply. Please consult factory.
2. Metric dimensions (mm) are indicated in parentheses.
3. Cable range is defined as the accommodations range for the wire bundle or cable. Dimensions shown are not intended for inspection criteria.
4. Consult factory for shorter lengths on straight backshells.
5. Interface O-Ring not supplied with connector designator A.
6. Saddles are bottomed on Clamp Ears.



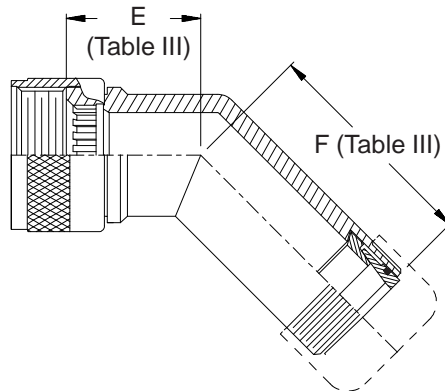
**CONNECTOR  
DESIGNATOR**  
**G**  
**ROTATABLE  
COUPLING**  
**TYPE A OVERALL  
SHIELD TERMINATION**



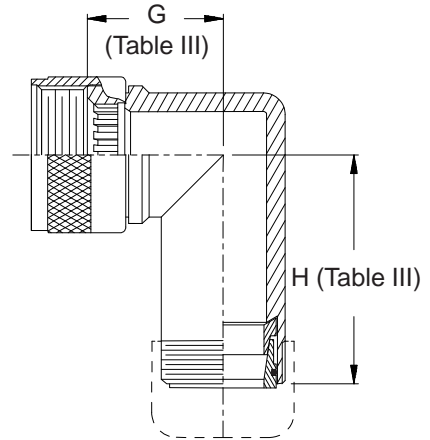
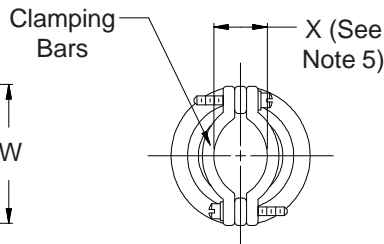
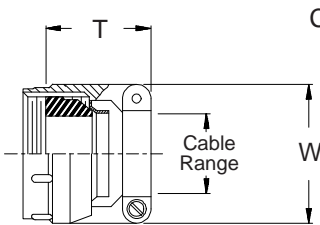
**STYLE 2  
(STRAIGHT  
See Note 1)**



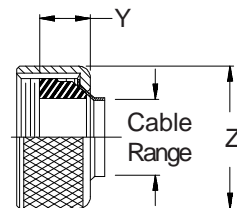
**STYLE 2  
(45° & 90°  
See Note 1)**



**STYLE C  
Medium Duty  
(Table X)**



**STYLE E  
Medium Duty  
(Table XI)**



**390-014**  
**Water-Tight EMI/RFI Cable Sealing Backshell**  
 with Strain Relief  
 Type A - Rotatable Coupling - Standard Profile



See inside back cover fold-out or pages 13 and 14 for Tables I and II.

TABLE III: ELBOW DIMENSIONS				
Shell Size	E Max	F Max	G Max	H Max
11	1.240 (31.5)	1.050 (26.7)	1.380 (35.1)	1.190 (30.2)
13	1.260 (32.0)	1.070 (27.2)	1.440 (36.6)	1.250 (31.8)
15	1.290 (32.8)	1.100 (27.9)	1.500 (38.1)	1.320 (33.5)
17	1.310 (33.3)	1.120 (28.4)	1.570 (39.9)	1.380 (35.1)
19	1.340 (34.0)	1.150 (29.2)	1.630 (41.4)	1.460 (37.1)
23	1.380 (35.1)	1.190 (30.2)	1.730 (43.9)	1.540 (39.1)
25	1.410 (35.8)	1.220 (31.0)	1.800 (45.7)	1.610 (40.9)
29	1.580 (40.1)	1.390 (35.3)	2.040 (51.8)	1.850 (47.0)
33	1.620 (41.1)	1.430 (36.3)	2.130 (54.1)	1.940 (49.3)

TABLE X: CABLE ENTRY								
Dash No.	T Max	W Max	X Ref	Cable Range				
				Min	Max			
03	1.219 (31.0)	.812 (20.6)	.135 (3.4)	.156 (4.0)	.219 (5.6)			
04	1.219 (31.0)	.937 (23.8)	.203 (5.2)	.188 (4.8)	.312 (7.9)			
06	1.219 (31.0)	1.062 (27.0)	.285 (7.2)	.281 (7.1)	.438 (11.1)			
08	1.219 (31.0)	1.188 (30.2)	.350 (8.9)	.312 (7.9)	.531 (13.5)			
10	1.281 (32.5)	1.312 (33.3)	.390 (9.9)	.375 (9.5)	.625 (15.9)			
12	1.281 (32.5)	1.562 (39.7)	.460 (11.7)	.500 (12.7)	.750 (19.1)			
16	1.406 (35.7)	1.750 (44.5)	.510 (13.0)	.625 (15.9)	.938 (23.8)			
20	1.656 (42.1)	2.250 (57.2)	.695 (17.7)	.938 (23.8)	1.250 (31.8)			
24	1.906 (48.4)	2.375 (60.3)	.715 (18.2)	1.000 (25.4)	1.375 (34.9)			
28	1.906 (48.4)	2.625 (66.7)	.915 (23.2)	1.250 (31.8)	1.625 (41.3)			
32	2.000 (50.8)	2.812 (71.4)	1.070 (27.2)	1.500 (38.1)	1.875 (47.6)			

TABLE XI: CABLE ENTRY				
Dash No.	Y Max	Z Max	Cable Range	
			Min	Max
03	.739 (18.8)	.812 (20.6)	.156 (4.0)	.219 (5.6)
04	.739 (18.8)	.937 (23.8)	.188 (4.8)	.312 (7.9)
06	.739 (18.8)	1.062 (27.0)	.281 (7.1)	.438 (11.1)
08	.739 (18.8)	1.188 (30.2)	.312 (7.9)	.531 (13.5)
10	.791 (20.1)	1.312 (33.3)	.375 (9.5)	.625 (15.9)
12	.880 (22.4)	1.562 (39.7)	.500 (12.7)	.750 (19.1)
16	.901 (22.9)	1.750 (44.5)	.625 (15.9)	.938 (23.8)
20	1.031 (26.2)	2.250 (57.2)	.938 (23.8)	1.250 (31.8)
24	1.250 (31.8)	2.375 (60.3)	1.000 (25.4)	1.375 (34.9)
28	1.250 (31.8)	2.625 (66.7)	1.250 (31.8)	1.625 (41.3)
32	1.312 (33.3)	2.812 (71.4)	1.500 (38.1)	1.875 (47.6)

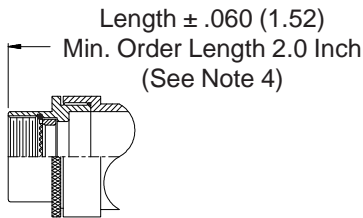
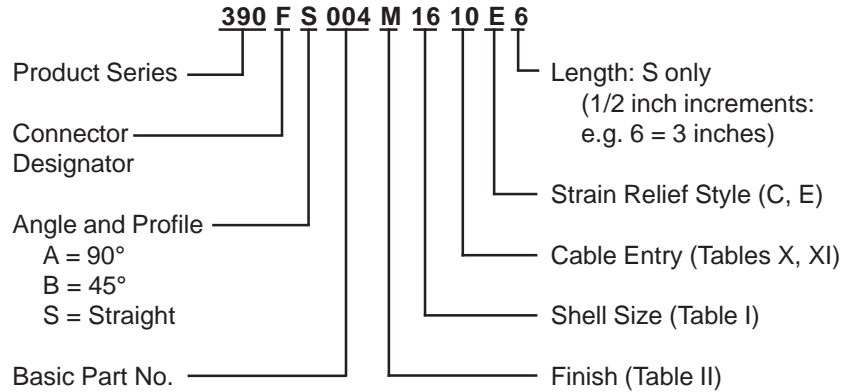
1. When maximum cable entry (page 21) is exceeded, Style 2 will be supplied. Dimensions E, F, G and H will not apply. Please consult factory.
2. Metric dimensions (mm) are indicated in parentheses.
3. Cable range is defined as the accommodations range for the wire bundle or cable. Dimensions shown are not intended for inspection criteria.
4. Consult factory for shorter lengths on straight backshells.
5. Saddles are bottomed on clamp ears.

**-445** Add "-445" to Specify Glenair's Non-Detent, ("NESTOR") Spring-Loaded, Self-Locking Coupling. See Page 41 for Details.

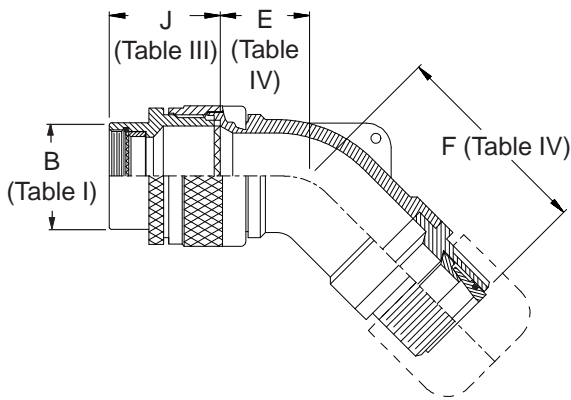
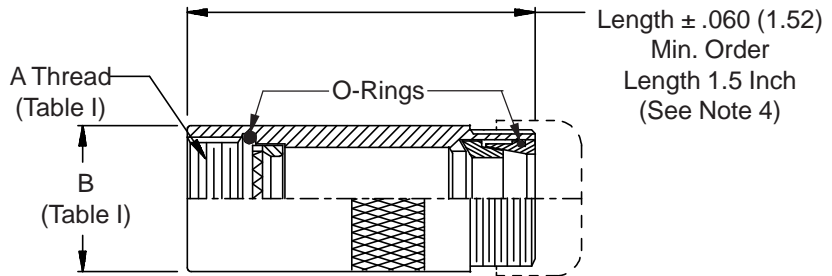
**CONNECTOR  
 DESIGNATORS  
 A-B\*-C-D-E-F  
 G-H-J-K-L-S**

\* Conn. Desig. B See Note 6  
**DIRECT COUPLING**

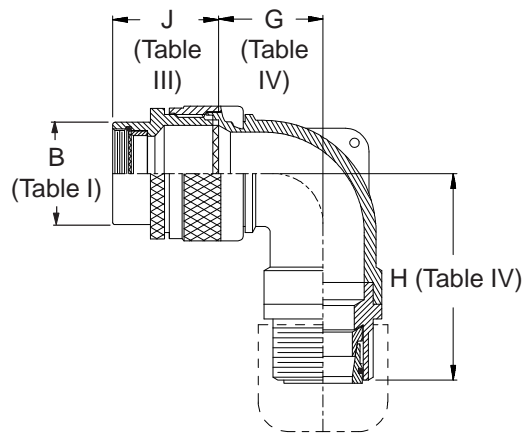
**TYPE A OVERALL  
 SHIELD TERMINATION**



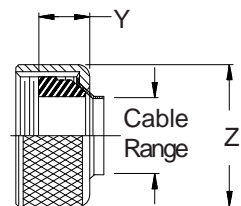
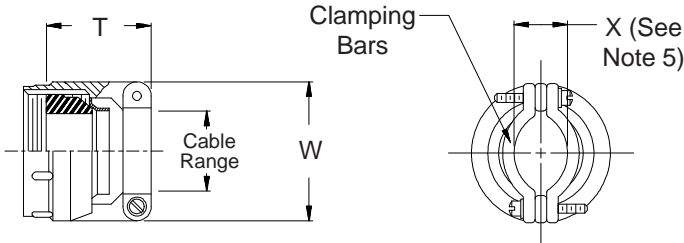
**STYLE 2  
 (STRAIGHT  
 See Note 1)**



**STYLE C  
 Medium Duty  
 (Table X)**



**STYLE E  
 Medium Duty  
 (Table XI)**



**390-004**  
**Water-Tight EMI/RFI Cable Sealing Backshell**  
 with Strain Relief  
 Type A - Direct Coupling - Low Profile



See inside back cover fold-out or pages 13 and 14 for Tables I and II.

Shell Size	J Max - Conn. Designator		
	A-E-F	D-B-G-K	C
	J-H-L-S		
08/09	1.180 (30.0)	1.440 (36.6)	
10/11	1.180 (30.0)	1.440 (36.6)	
12/13	1.180 (30.0)	1.440 (36.6)	1.735 (44.1)
14/15	1.180 (30.0)	1.440 (36.6)	1.915 (48.6)
16/17	1.380 (35.0)	1.560 (39.6)	1.915 (48.6)
18/19	1.380 (35.0)	1.560 (39.6)	1.915 (48.6)
20/21	1.380 (35.0)	1.560 (39.6)	1.915 (48.6)
22/23	1.380 (35.0)	1.560 (39.6)	1.915 (48.6)
24/25	1.380 (35.0)	1.560 (39.6)	1.915 (48.6)
28/29	1.610 (40.9)	1.560 (39.6)	1.915 (48.6)
32/33	1.610 (40.9)	1.750 (44.5)	1.915 (48.6)
36	1.610 (40.9)	1.750 (44.5)	1.915 (48.6)
40	1.610 (40.9)	2.190 (55.6)	1.915 (48.6)

Dash No.	E Max	F Max	G Max	H Max
	04	.630 (16.0)	1.250 (31.8)	.636 (16.2)
06	.630 (16.0)	1.250 (31.8)	.710 (18.0)	1.320 (33.5)
08	.692 (17.6)	1.312 (33.3)	.731 (18.6)	1.340 (34.0)
10	.755 (19.2)	1.655 (42.0)	.825 (21.0)	1.660 (42.2)
12	.848 (21.5)	1.765 (44.8)	.988 (25.1)	1.750 (44.5)
16	1.036 (26.3)	1.952 (49.6)	1.087 (27.6)	1.925 (48.9)
20	1.130 (28.7)	2.098 (53.3)	1.325 (33.7)	2.033 (51.6)
24	1.255 (31.9)	2.155 (54.7)	1.337 (34.0)	2.250 (57.2)
28	1.317 (33.5)	2.250 (57.2)	1.827 (46.4)	2.450 (62.2)
32	1.348 (34.2)	2.343 (59.5)	2.027 (51.5)	2.450 (62.2)

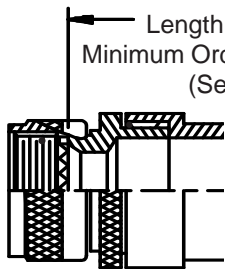
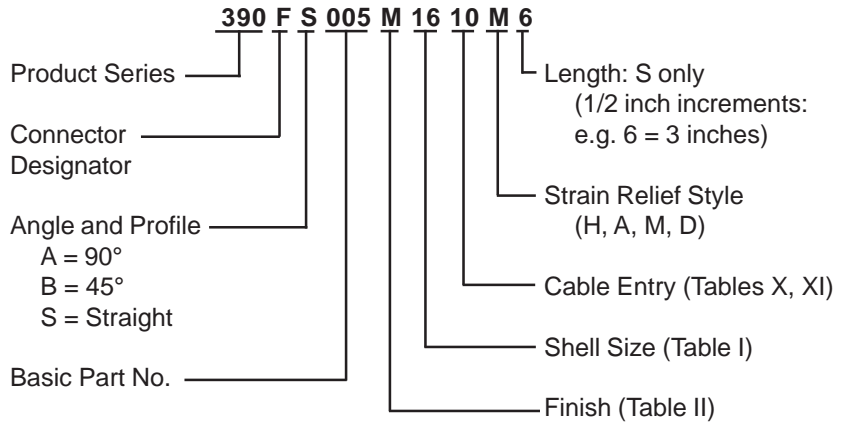
Dash No.	T Max	W Max	X Ref	Cable Range	
				Min	Max
				03	1.219 (31.0)
04	1.219 (31.0)	.937 (23.8)	.203 (5.2)	.188 (4.8)	.312 (7.9)
06	1.219 (31.0)	1.062 (27.0)	.285 (7.2)	.281 (7.1)	.438 (11.1)
08	1.219 (31.0)	1.188 (30.2)	.350 (8.9)	.312 (7.9)	.531 (13.5)
10	1.281 (32.5)	1.312 (33.3)	.390 (9.9)	.375 (9.5)	.625 (15.9)
12	1.281 (32.5)	1.562 (39.7)	.460 (11.7)	.500 (12.7)	.750 (19.1)
16	1.406 (35.7)	1.750 (44.5)	.510 (13.0)	.625 (15.9)	.938 (23.8)
20	1.656 (42.1)	2.250 (57.2)	.695 (17.7)	.938 (23.8)	1.250 (31.8)
24	1.906 (48.4)	2.375 (60.3)	.715 (18.2)	1.000 (25.4)	1.375 (34.9)
28	1.906 (48.4)	2.625 (66.7)	.915 (23.2)	1.250 (31.8)	1.625 (41.3)
32	2.000 (50.8)	2.812 (71.4)	1.070 (27.2)	1.500 (38.1)	1.875 (47.6)

Dash No.	Y Max	Z Max	Cable Range	
			Min	Max
			03	.739 (18.8)
04	.739 (18.8)	.937 (23.8)	.188 (4.8)	.312 (7.9)
06	.739 (18.8)	1.062 (27.0)	.281 (7.1)	.438 (11.1)
08	.739 (18.8)	1.188 (30.2)	.312 (7.9)	.531 (13.5)
10	.791 (20.1)	1.312 (33.3)	.375 (9.5)	.625 (15.9)
12	.880 (22.4)	1.562 (39.7)	.500 (12.7)	.750 (19.1)
16	.901 (22.9)	1.750 (44.5)	.625 (15.9)	.938 (23.8)
20	1.031 (26.2)	2.250 (57.2)	.938 (23.8)	1.250 (31.8)
24	1.250 (31.8)	2.375 (60.3)	1.000 (25.4)	1.375 (34.9)
28	1.250 (31.8)	2.625 (66.7)	1.250 (31.8)	1.625 (41.3)
32	1.312 (33.3)	2.812 (71.4)	1.500 (38.1)	1.875 (47.6)

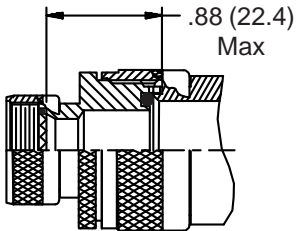
- When maximum cable entry (page 22) is exceeded, Style 2 will be supplied. (Function S only).
- Metric dimensions (mm) are indicated in parentheses.
- Cable range is defined as the accommodations range for the wire bundle or cable. Dimensions shown are not intended for inspection criteria.
- Consult factory for shorter lengths on straight backshells.
- Saddles are bottomed on Clamp Ears.
- When using Connector Designator B refer to pages 18 and 19 for part number development.

**CONNECTOR  
 DESIGNATORS  
 A-F-H-L-S  
 ROTATABLE  
 COUPLING**

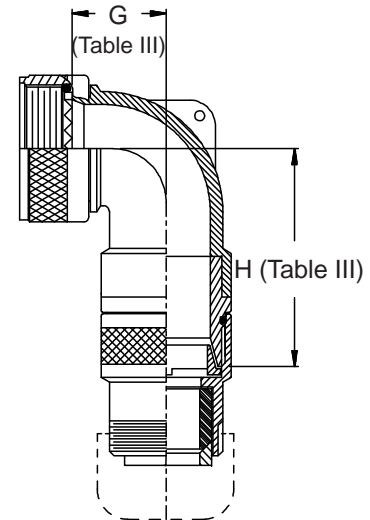
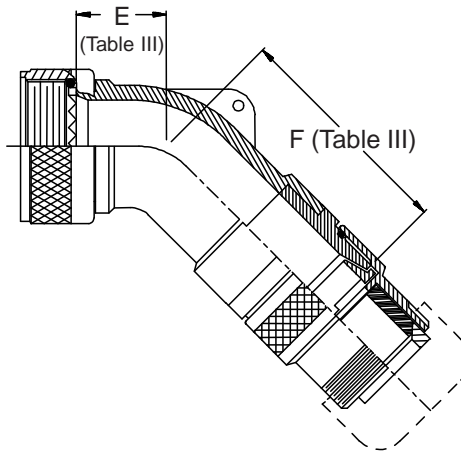
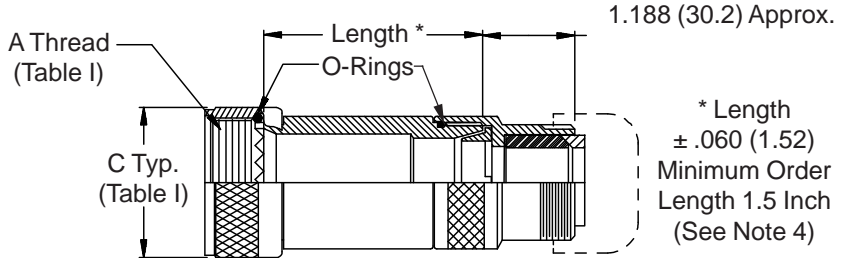
**TYPE B INDIVIDUAL  
 AND/OR OVERALL  
 SHIELD TERMINATION**



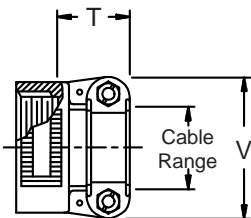
**STYLE 2  
 (STRAIGHT  
 See Note 1)**



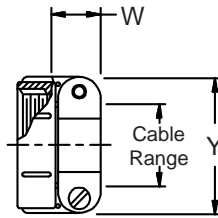
**STYLE 2  
 (45° & 90°  
 See Note 1)**



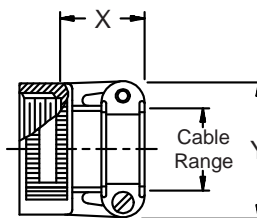
**STYLE H  
 Heavy Duty  
 (Table X)**



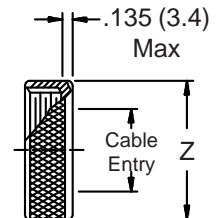
**STYLE A  
 Medium Duty  
 (Table XI)**



**STYLE M  
 Medium Duty  
 (Table XI)**



**STYLE D  
 Medium Duty  
 (Table XI)**



**390-005**  
**Submersible EMI/RFI Cable Sealing Backshell**  
 with Strain Relief  
 Type B - Rotatable Coupling - Low Profile



See inside back cover fold-out or pages 13 and 14 for Tables I and II.

TABLE III: ELBOW DIMENSIONS						
Shell Size		E Max	F Max	G Max	H Max	
Conn. Desig.	A-F-L-S H					
08	09			.500 (12.7)	2.551 (64.8)	
10	11	.520 (13.2)	2.601 (66.1)	.595 (15.1)	2.671 (67.8)	
12	13	.582 (14.8)	2.661 (67.6)	.610 (15.5)	2.691 (68.4)	
14	15	.645 (16.4)	3.091 (78.5)	.700 (17.8)	3.101 (78.8)	
16	17	.738 (18.7)	3.201 (81.3)	.885 (22.5)	3.191 (81.1)	
18	19	.926 (23.5)	3.391 (86.1)	.975 (24.8)	3.361 (85.4)	
20	21	.926 (23.5)	3.391 (86.1)	.975 (24.8)	3.361 (85.4)	
22	23	1.020 (25.9)	3.604 (91.5)	1.125 (28.6)	3.534 (89.8)	
24	25	1.020 (25.9)	3.604 (91.5)	1.125 (28.6)	3.534 (89.8)	
28		1.145 (29.1)	3.637 (92.4)	1.225 (31.1)	3.687 (93.6)	
32		1.207 (30.7)	3.737 (94.9)	1.575 (40.0)	3.937 (100.0)	
36		1.238 (31.4)	3.877 (98.5)	1.775 (45.1)	3.987 (101.3)	

1. When maximum cable entry (page 21) is exceeded, Style 2 will be supplied. Dimensions E, F, G and H will not apply. Please consult factory.
2. Metric dimensions (mm) are indicated in parentheses.
3. Cable range is defined as the accommodations range for the wire bundle or cable. Dimensions shown are not intended for inspection criteria.
4. Consult factory for shorter lengths on straight backshells.
5. Interface O-Ring not supplied with connector designator A.

TABLE X: CABLE ENTRY						
Dash No.	T Max	V Max	Cable Range			
			Min		Max	
04	.780 (19.8)	.957 (24.3)	.125 (3.2)	.312 (7.9)		
06	.780 (19.8)	1.145 (29.1)	.250 (6.4)	.437 (11.1)		
08	.780 (19.8)	1.332 (33.8)	.387 (9.8)	.562 (14.3)		
10	.780 (19.8)	1.332 (33.8)	.350 (8.9)	.625 (15.9)		
12	.811 (20.6)	1.551 (39.4)	.500 (12.7)	.750 (19.1)		
16	.905 (23.0)	1.770 (45.0)	.625 (15.9)	.937 (23.8)		
20	1.092 (27.7)	2.113 (53.7)	.875 (22.2)	1.250 (31.8)		
24	1.124 (28.5)	2.363 (60.0)	1.000 (25.4)	1.375 (34.9)		
28	1.399 (35.5)	2.770 (70.4)	1.250 (31.8)	1.625 (41.3)		
32	1.399 (35.5)	3.020 (76.7)	1.437 (36.5)	1.875 (47.6)		

TABLE XI: CABLE ENTRY							
Dash No.	W Max	X Max	Y Max	Z Max	Cable Range		
					Min		Max
03*	.437 (11.1)	.760 (19.3)	.843 (21.4)	.630 (16.0)	.156 (4.0)	.250 (6.4)	
04*	.437 (11.1)	.760 (19.3)	.906 (23.0)	.755 (19.2)	.188 (4.8)	.312 (7.9)	
06*	.500 (12.7)	.760 (19.3)	1.093 (27.8)	.942 (23.9)	.281 (7.1)	.438 (11.1)	
08	.563 (14.3)	.760 (19.3)	1.187 (30.1)	1.067 (27.1)	.387 (9.8)	.562 (14.3)	
10	.563 (14.3)	.760 (19.3)	1.281 (32.5)	1.192 (30.3)	.375 (9.5)	.625 (15.9)	
12	.563 (14.3)	.760 (19.3)	1.500 (38.1)	1.380 (35.1)	.438 (11.1)	.750 (19.1)	
16	.656 (16.7)	1.073 (27.3)	1.719 (43.7)	1.535 (39.0)	.625 (15.9)	.938 (23.8)	
20	.656 (16.7)	1.323 (33.6)	2.062 (52.4)	1.848 (46.9)	.875 (22.2)	1.250 (31.8)	
24	.656 (16.7)	1.323 (33.6)	2.312 (58.7)	2.255 (57.3)	1.000 (25.4)	1.375 (34.9)	
28	1.188 (30.2)	1.572 (39.9)	2.719 (69.1)	2.505 (63.6)	1.250 (31.8)	1.625 (41.3)	
32*	1.187 (30.1)	1.572 (39.9)	2.969 (75.4)	2.755 (70.0)	1.437 (36.5)	1.875 (47.6)	
40*	1.125 (28.6)	1.572 (39.9)	3.531 (89.7)	3.255 (82.7)	1.875 (47.6)	2.375 (60.3)	

\* Not available in Style M clamp.

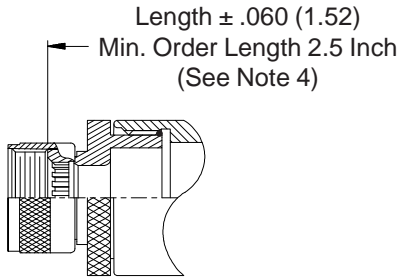
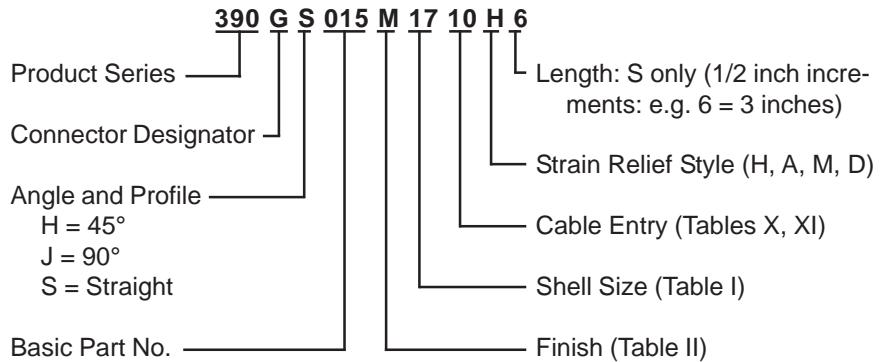


**CONNECTOR DESIGNATOR**

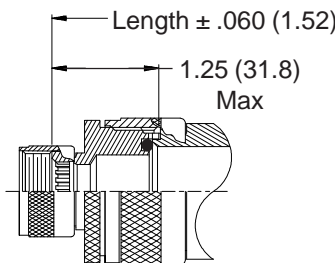
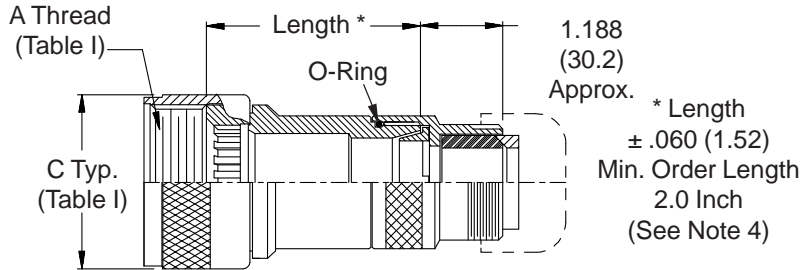


**ROTATABLE COUPLING**

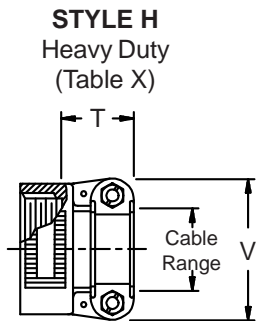
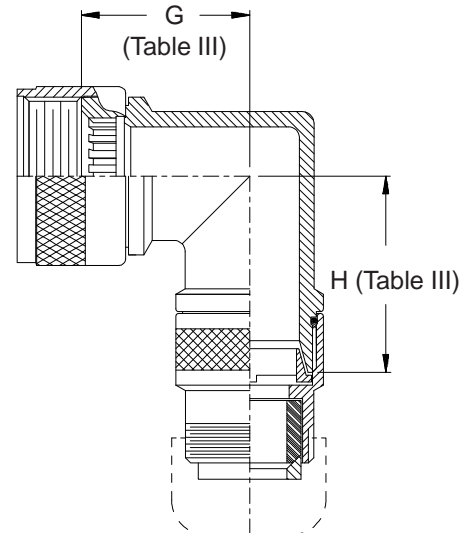
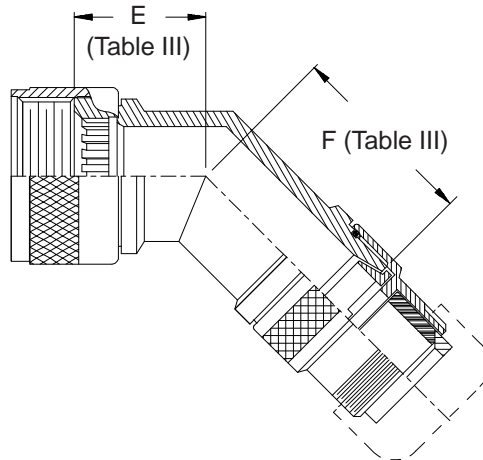
**TYPE B INDIVIDUAL AND/OR OVERALL SHIELD TERMINATION**



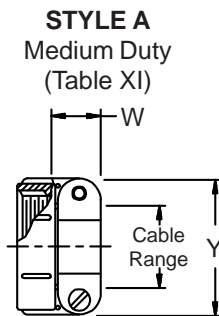
**STYLE 2 (STRAIGHT See Note 1)**



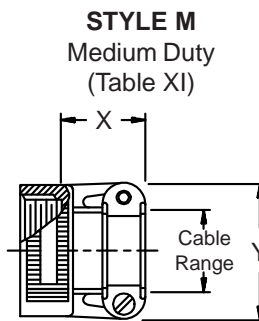
**STYLE 2 (45° & 90° See Note 1)**



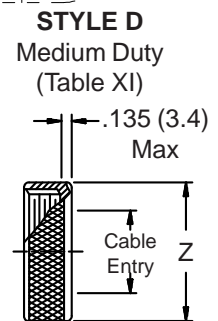
**STYLE H Heavy Duty (Table X)**



**STYLE A Medium Duty (Table XI)**



**STYLE M Medium Duty (Table XI)**



**STYLE D Medium Duty (Table XI)**

**390-015**  
**Submersible EMI/RFI Cable Sealing Backshell**  
 with Strain Relief  
 Type B - Rotatable Coupling - Standard Profile



See inside back cover fold-out or pages 13 and 14 for Tables I and II.

Shell Size	E		F		G		H	
	Max		Max		Max		Max	
11	1.240	(31.5)	1.100	(27.9)	1.380	(35.1)	1.240	(31.5)
13	1.260	(32.0)	1.120	(28.4)	1.440	(36.6)	1.300	(33.0)
15	1.290	(32.8)	1.172	(29.8)	1.500	(38.1)	1.392	(35.4)
17	1.310	(33.3)	1.192	(30.3)	1.570	(39.9)	1.452	(36.9)
19	1.340	(34.0)	1.312	(33.3)	1.630	(41.4)	1.622	(41.2)
23	1.380	(35.1)	1.352	(34.3)	1.730	(43.9)	1.702	(43.2)
25	1.410	(35.8)	1.382	(35.1)	1.800	(45.7)	1.772	(45.0)
29	1.580	(40.1)	1.612	(40.9)	2.040	(51.8)	2.072	(52.6)
33	1.620	(41.1)	1.632	(41.5)	2.130	(54.1)	2.142	(54.4)

Dash No.	T Max	V Max	Cable Range			
			Min	Max	Min	Max
04	.780 (19.8)	.957 (24.3)	.125 (3.2)	.312 (7.9)		
06	.780 (19.8)	1.145 (29.1)	.250 (6.4)	.437 (11.1)		
08	.780 (19.8)	1.332 (33.8)	.387 (9.8)	.562 (14.3)		
10	.780 (19.8)	1.332 (33.8)	.350 (8.9)	.625 (15.9)		
12	.811 (20.6)	1.551 (39.4)	.500 (12.7)	.750 (19.1)		
16	.905 (23.0)	1.770 (45.0)	.625 (15.9)	.937 (23.8)		
20	1.092 (27.7)	2.113 (53.7)	.875 (22.2)	1.250 (31.8)		
24	1.124 (28.5)	2.363 (60.0)	1.000 (25.4)	1.375 (34.9)		
28	1.399 (35.5)	2.770 (70.4)	1.250 (31.8)	1.625 (41.3)		
32	1.399 (35.5)	3.020 (76.7)	1.437 (36.5)	1.875 (47.6)		

- When maximum cable entry (page 21) is exceeded, Style 2 will be supplied. Dimensions E, F, G and H will not apply. Please consult factory.
- Metric dimensions (mm) are indicated in parentheses.
- Cable range is defined as the accommodations range for the wire bundle or cable. Dimensions shown are not intended for inspection criteria.
- Consult factory for shorter lengths on straight backshells.

Dash No.	W Max	X Max	Y Max	Z Max	Cable Range			
					Min **	Max	Min	Max
03*	.437 (11.1)	.760 (19.3)	.843 (21.4)	.630 (16.0)	.156 (4.0)	.250 (6.4)		
04*	.437 (11.1)	.760 (19.3)	.906 (23.0)	.755 (19.2)	.188 (4.8)	.312 (7.9)		
06*	.500 (12.7)	.760 (19.3)	1.093 (27.8)	.942 (23.9)	.281 (7.1)	.438 (11.1)		
08	.563 (14.3)	.760 (19.3)	1.187 (30.1)	1.067 (27.1)	.387 (9.8)	.562 (14.3)		
10	.563 (14.3)	.760 (19.3)	1.281 (32.5)	1.192 (30.3)	.375 (9.5)	.625 (15.9)		
12	.563 (14.3)	.760 (19.3)	1.500 (38.1)	1.380 (35.1)	.438 (11.1)	.750 (19.1)		
16	.656 (16.7)	1.073 (27.3)	1.719 (43.7)	1.535 (39.0)	.625 (15.9)	.938 (23.8)		
20	.656 (16.7)	1.323 (33.6)	2.062 (52.4)	1.848 (46.9)	.875 (22.2)	1.250 (31.8)		
24	.656 (16.7)	1.323 (33.6)	2.312 (58.7)	2.255 (57.3)	1.000 (25.4)	1.375 (34.9)		
28	1.188 (30.2)	1.572 (39.9)	2.719 (69.1)	2.505 (63.6)	1.250 (31.8)	1.625 (41.3)		
32*	1.187 (30.1)	1.572 (39.9)	2.969 (75.4)	2.755 (70.0)	1.437 (36.5)	1.875 (47.6)		
40*	1.125 (28.6)	1.572 (39.9)	3.531 (89.7)	3.255 (82.7)	1.875 (47.6)	2.375 (60.3)		

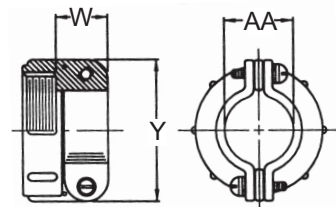
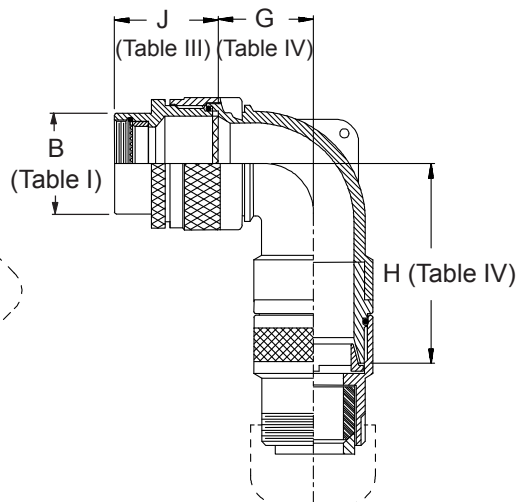
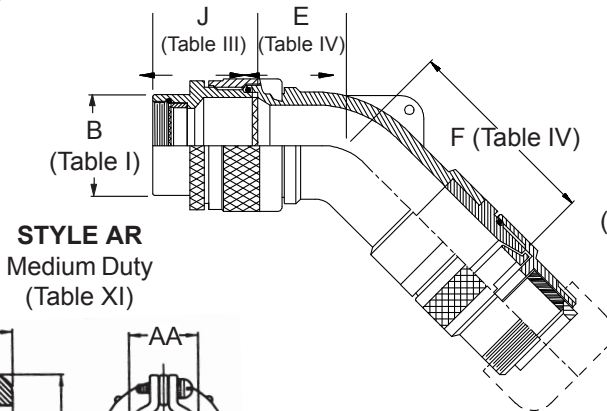
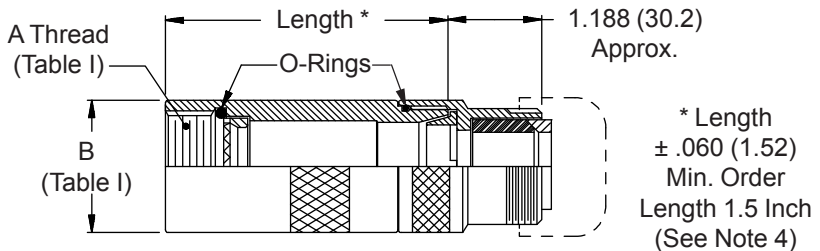
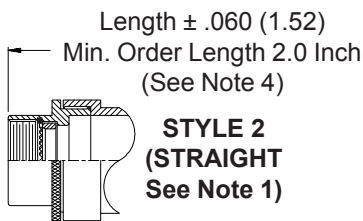
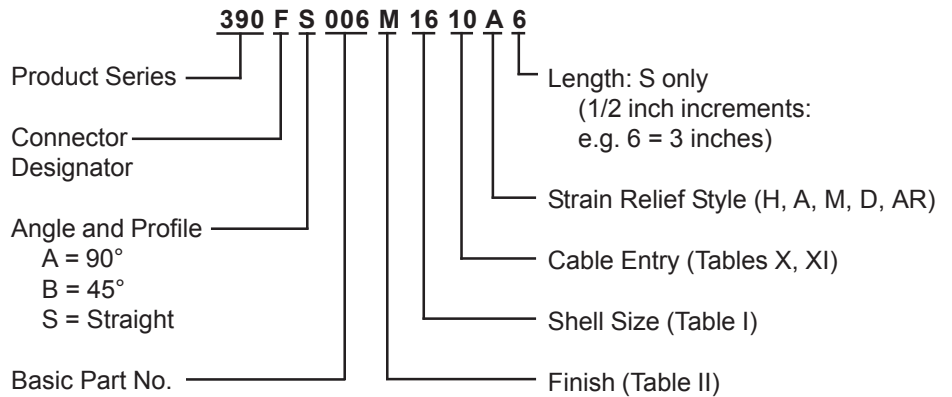
\* Not available in Style M clamp.      \*\* Not Applicable Style D

**-445** Add "-445" to Specify Glenair's Non-Detent, ("NESTOR") Spring-Loaded, Self-Locking Coupling. See Page 41 for Details.

**CONNECTOR  
 DESIGNATORS**  
**A-B\*-C-D-E-F**  
**G-H-J-K-L-S**

\* Conn. Desig. B See Note 5  
**DIRECT COUPLING**

**TYPE B INDIVIDUAL  
 AND/OR OVERALL  
 SHIELD TERMINATION**

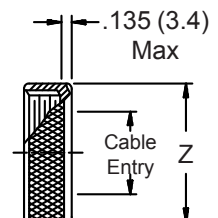
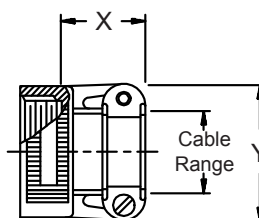
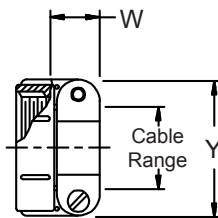
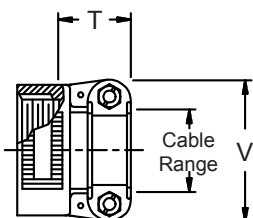


**STYLE H**  
 Heavy Duty  
 (Table X)

**STYLE S1**  
 Medium Duty  
 (Table XI)

**STYLE M**  
 Medium Duty  
 (Table XI)

**STYLE D**  
 Medium Duty  
 (Table XI)



**390-006**  
**Submersible EMI/RFI Cable Sealing Backshell**  
with Strain Relief  
**Type B - Direct Coupling - Low Profile**



See inside back cover fold-out or pages 13 and 14 for Tables I and II.

TABLE III: FRONT ADAPTER			
Shell Size	J Max - Conn. Designator		
	A-E-F		C
	J-H-L-S	D-B-G-K	
08/09	1.180 (30.0)	1.440 (36.6)	
10/11	1.180 (30.0)	1.440 (36.6)	
12/13	1.180 (30.0)	1.440 (36.6)	1.735 (44.1)
14/15	1.180 (30.0)	1.440 (36.6)	1.915 (48.6)
16/17	1.380 (35.0)	1.560 (39.6)	1.915 (48.6)
18/19	1.380 (35.0)	1.560 (39.6)	1.915 (48.6)
20/21	1.380 (35.0)	1.560 (39.6)	1.915 (48.6)
22/23	1.380 (35.0)	1.560 (39.6)	1.915 (48.6)
24/25	1.380 (35.0)	1.560 (39.6)	1.915 (48.6)
28/29	1.610 (40.9)	1.560 (39.6)	1.915 (48.6)
32/33	1.610 (40.9)	1.750 (44.5)	1.915 (48.6)
36	1.610 (40.9)	1.750 (44.5)	1.915 (48.6)
40	1.610 (40.9)	2.190 (55.6)	1.915 (48.6)

TABLE IV: ELBOW DIMENSIONS							
Dash No.	E Max	F Max	G Max	H Max			
04	.630 (16.0)	2.601 (66.1)	.636 (16.2)	2.551 (64.8)			
06	.630 (16.0)	2.601 (66.1)	.710 (18.0)	2.671 (67.8)			
08	.692 (17.6)	2.661 (67.6)	.731 (18.6)	2.691 (68.4)			
10	.755 (19.2)	3.091 (78.5)	.825 (21.0)	3.101 (78.8)			
12	.848 (21.5)	3.201 (81.3)	.988 (25.1)	3.191 (81.1)			
16	1.036 (26.3)	3.391 (86.1)	1.087 (27.6)	3.361 (85.4)			
20	1.130 (28.7)	3.604 (91.5)	1.325 (33.7)	3.534 (89.8)			
24	1.255 (31.9)	3.637 (92.4)	1.337 (34.0)	3.687 (93.6)			
28	1.317 (33.5)	3.737 (94.9)	1.827 (46.4)	3.937 (100.0)			
32	1.348 (34.2)	3.877 (98.5)	2.027 (51.5)	3.987 (101.3)			

TABLE X: CABLE ENTRY					
Dash No.	T Max	V Max	Cable Range		
			Min	Max	
04	.780 (19.8)	.957 (24.3)	.125 (3.2)	.312 (7.9)	
06	.780 (19.8)	1.145 (29.1)	.250 (6.4)	.437 (11.1)	
08	.780 (19.8)	1.332 (33.8)	.387 (9.8)	.562 (14.3)	
10	.780 (19.8)	1.332 (33.8)	.350 (8.9)	.625 (15.9)	
12	.811 (20.6)	1.551 (39.4)	.500 (12.7)	.750 (19.1)	
16	.905 (23.0)	1.770 (45.0)	.625 (15.9)	.937 (23.8)	
20	1.092 (27.7)	2.113 (53.7)	.875 (22.2)	1.250 (31.8)	
24	1.124 (28.5)	2.363 (60.0)	1.000 (25.4)	1.375 (34.9)	
28	1.399 (35.5)	2.770 (70.4)	1.250 (31.8)	1.625 (41.3)	
32	1.399 (35.5)	3.020 (76.7)	1.437 (36.5)	1.875 (47.6)	

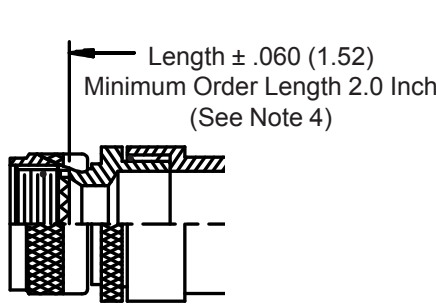
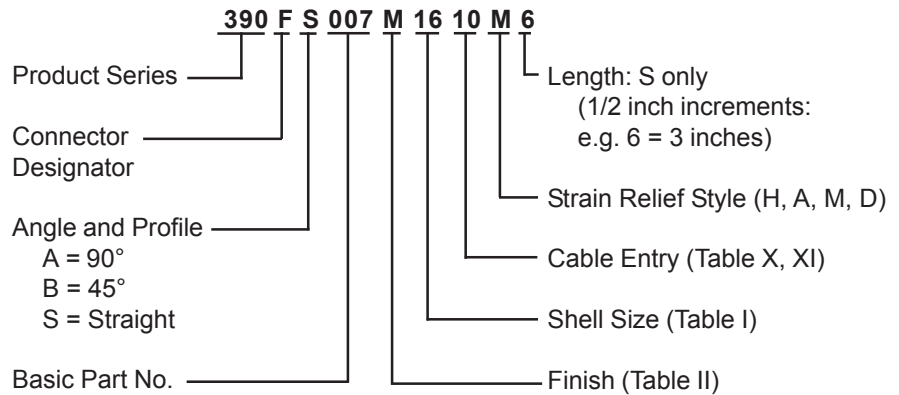
1. When maximum cable entry (page 22) is exceeded, Style 2 will be supplied. (Function S only).
2. Metric dimensions (mm) are indicated in parentheses.
3. Cable range is defined as the accommodations range for the wire bundle or cable. Dimensions shown are not intended for inspection criteria.
4. Consult factory for shorter lengths on straight backshells.
5. When using Connector Designator B refer to pages 18 and 19 for part number development.

TABLE XI: CABLE ENTRY									
Dash No.	W Max	X Max	Y Max	Z Max	AA*** Closed	Cable Range			
						Min**	Max		
04*	.437 (11.1)	.760 (19.3)	.906 (23.0)	.755 (19.2)	.312 (7.9)	.188 (4.8)	.312 (7.9)		
06*	.500 (12.7)	.760 (19.3)	1.093 (27.8)	.942 (23.9)	.438 (11.1)	.281 (7.1)	.438 (11.1)		
08	.563 (14.3)	.760 (19.3)	1.187 (30.1)	1.067 (27.1)	.562 (14.3)	.387 (9.8)	.562 (14.3)		
10	.563 (14.3)	.760 (19.3)	1.281 (32.5)	1.192 (30.3)	.625 (15.9)	.375 (9.5)	.625 (15.9)		
12	.563 (14.3)	.760 (19.3)	1.500 (38.1)	1.380 (35.1)	.750 (19.1)	.438 (11.1)	.750 (19.1)		
16	.656 (16.7)	1.073 (27.3)	1.719 (43.7)	1.535 (39.0)	.938 (23.8)	.625 (15.9)	.938 (23.8)		
20	.656 (16.7)	1.323 (33.6)	2.062 (52.4)	1.848 (46.9)	1.250 (31.8)	.875 (22.2)	1.250 (31.8)		
24	.656 (16.7)	1.323 (33.6)	2.312 (58.7)	2.255 (57.3)	1.375 (34.9)	1.000 (25.4)	1.375 (34.9)		
28	1.188 (30.2)	1.572 (39.9)	2.719 (69.1)	2.505 (63.6)	1.625 (41.3)	1.250 (31.8)	1.625 (41.3)		
32*	1.187 (30.1)	1.572 (39.9)	2.969 (75.4)	2.755 (70.0)	1.875 (47.6)	1.437 (36.5)	1.875 (47.6)		

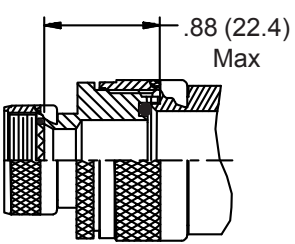
\* Not available in Style M clamp. \*\*\*Applicable Style AR Only.

**CONNECTOR  
 DESIGNATORS  
 A-F-H-L-S  
 ROTATABLE  
 COUPLING**

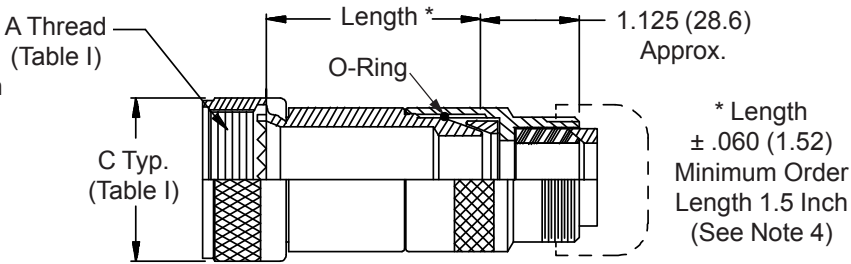
**TYPE C OVERALL  
 SHIELD TERMINATION**



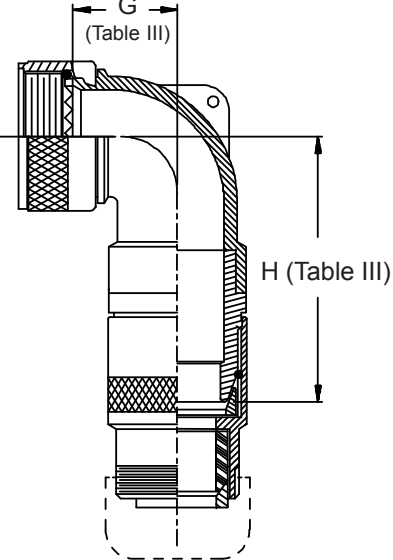
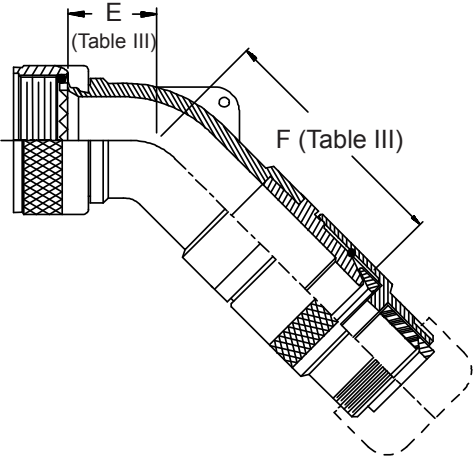
**STYLE 2  
 (STRAIGHT  
 See Note 1)**



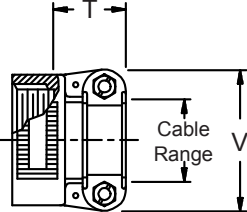
**STYLE 2  
 (45° & 90°  
 See Note 1)**



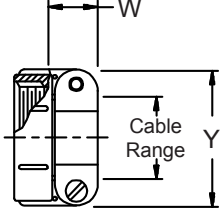
\* Length ± .060 (1.52) Minimum Order Length 1.5 Inch (See Note 4)



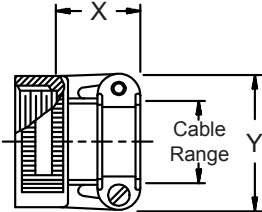
**STYLE H  
 Heavy Duty  
 (Table X)**



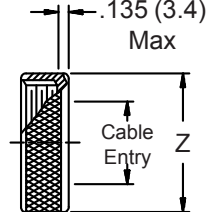
**STYLE A  
 Medium Duty  
 (Table XI)**



**STYLE M  
 Medium Duty  
 (Table XI)**



**STYLE D  
 Medium Duty  
 (Table XI)**





**390-007**  
**Submersible EMI/RFI Cable Sealing Backshell**  
 with Strain Relief  
**Type C - Rotatable Coupling - Low Profile**



See inside back cover fold-out or pages 13 and 14 for Tables I and II.

**TABLE III: ELBOW DIMENSIONS**

Shell Size		E		F		G		H	
Conn. Desig.	H	Max		Max		Max		Max	
A-F-L-S	H								
08	09					.500	(12.7)	2.725	(69.2)
10	11	.520	(13.2)	2.775	(70.5)	.595	(15.1)	2.845	(72.3)
12	13	.582	(14.8)	2.835	(72.0)	.610	(15.5)	2.865	(72.8)
14	15	.645	(16.4)	3.554	(90.3)	.700	(17.8)	3.564	(90.5)
16	17	.738	(18.7)	3.664	(93.1)	.885	(22.5)	3.654	(92.8)
18	19	.926	(23.5)	3.854	(97.9)	.975	(24.8)	3.824	(97.1)
20	21	.926	(23.5)	3.854	(97.9)	.975	(24.8)	3.824	(97.1)
22	23	1.020	(25.9)	4.192	(106.5)	1.125	(28.6)	4.122	(104.7)
24	25	1.020	(25.9)	4.192	(106.5)	1.125	(28.6)	4.122	(104.7)
28		1.145	(29.1)	4.225	(107.3)	1.225	(31.1)	4.275	(108.6)
32		1.207	(30.7)	4.325	(109.9)	1.575	(40.0)	4.525	(114.9)
36		1.238	(31.4)	4.465	(113.4)	1.775	(45.1)	4.575	(116.2)

**TABLE X: CABLE ENTRY**

Dash No.	T Max	V Max	Cable Range			
			Min		Max	
04	.780 (19.8)	.957 (24.3)	.125 (3.2)	.312 (7.9)		
06	.780 (19.8)	1.145 (29.1)	.250 (6.4)	.437 (11.1)		
08	.780 (19.8)	1.332 (33.8)	.387 (9.8)	.562 (14.3)		
10	.780 (19.8)	1.332 (33.8)	.350 (8.9)	.625 (15.9)		
12	.811 (20.6)	1.551 (39.4)	.500 (12.7)	.750 (19.1)		
16	.905 (23.0)	1.770 (45.0)	.625 (15.9)	.937 (23.8)		
20	1.092 (27.7)	2.113 (53.7)	.875 (22.2)	1.250 (31.8)		
24	1.124 (28.5)	2.363 (60.0)	1.000 (25.4)	1.375 (34.9)		
28	1.399 (35.5)	2.770 (70.4)	1.250 (31.8)	1.625 (41.3)		
32	1.399 (35.5)	3.020 (76.7)	1.437 (36.5)	1.875 (47.6)		

- When maximum cable entry (page 21) is exceeded, Style 2 will be supplied. Dimensions E, F, G and H will not apply. Please consult factory.
- Metric dimensions (mm) are indicated in parentheses.
- Cable range is defined as the accommodations range for the wire bundle or cable. Dimensions shown are not intended for inspection criteria.
- Consult factory for shorter lengths on straight backshells.
- Interface O-Ring not supplied with connector designator A.

**TABLE XI: CABLE ENTRY**

Dash No.	W Max	X Max	Y Max	Z Max	Cable Range	
					Min	Max
03*	.437 (11.1)	.760 (19.3)	.843 (21.4)	.630 (16.0)	.156 (4.0)	.250 (6.4)
04*	.437 (11.1)	.760 (19.3)	.906 (23.0)	.755 (19.2)	.188 (4.8)	.312 (7.9)
06*	.500 (12.7)	.760 (19.3)	1.093 (27.8)	.942 (23.9)	.281 (7.1)	.438 (11.1)
08	.563 (14.3)	.760 (19.3)	1.187 (30.1)	1.067 (27.1)	.387 (9.8)	.562 (14.3)
10	.563 (14.3)	.760 (19.3)	1.281 (32.5)	1.192 (30.3)	.375 (9.5)	.625 (15.9)
12	.563 (14.3)	.760 (19.3)	1.500 (38.1)	1.380 (35.1)	.438 (11.1)	.750 (19.1)
16	.656 (16.7)	1.073 (27.3)	1.719 (43.7)	1.535 (39.0)	.625 (15.9)	.938 (23.8)
20	.656 (16.7)	1.323 (33.6)	2.062 (52.4)	1.848 (46.9)	.875 (22.2)	1.250 (31.8)
24	.656 (16.7)	1.323 (33.6)	2.312 (58.7)	2.255 (57.3)	1.000 (25.4)	1.375 (34.9)
28	1.188 (30.2)	1.572 (39.9)	2.719 (69.1)	2.505 (63.6)	1.250 (31.8)	1.625 (41.3)
32*	1.187 (30.1)	1.572 (39.9)	2.969 (75.4)	2.755 (70.0)	1.437 (36.5)	1.875 (47.6)
40*	1.125 (28.6)	1.572 (39.9)	3.531 (89.7)	3.255 (82.7)	1.875 (47.6)	2.375 (60.3)

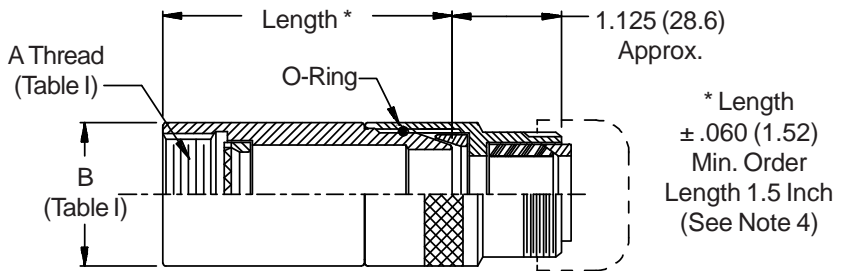
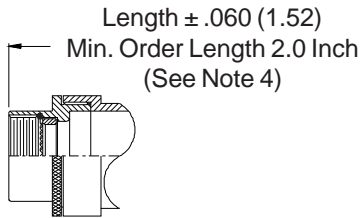
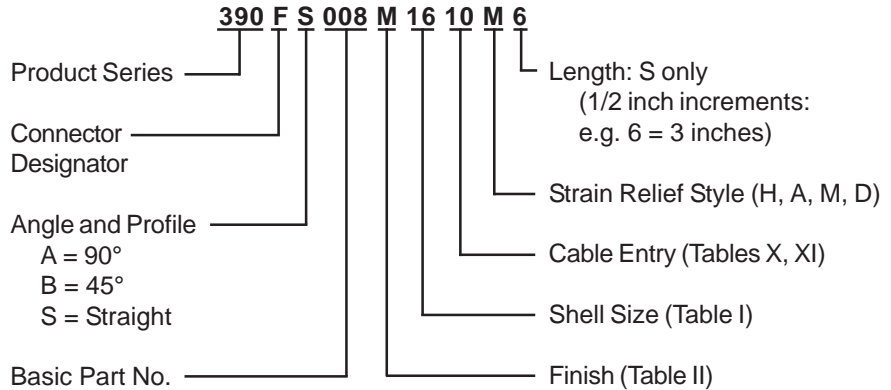
\* Not available in Style M clamp (Style A clamp supplied).



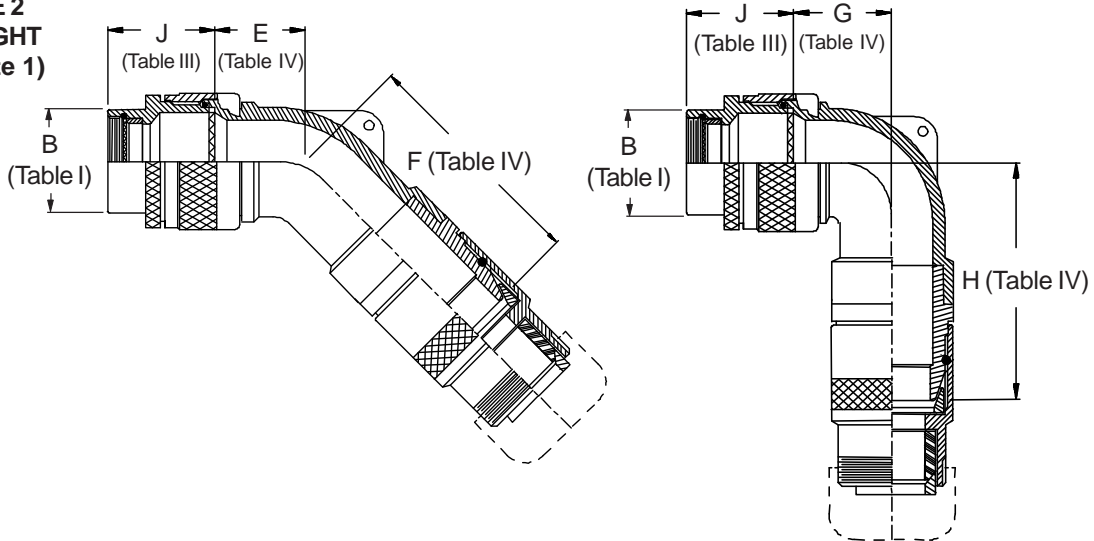
**CONNECTOR DESIGNATORS**  
**A-B\*-C-D-E-F**  
**G-H-J-K-L-S**

\* Conn. Desig. B See Note 5  
**DIRECT COUPLING**

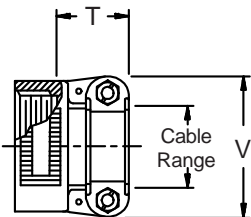
**TYPE C OVERALL SHIELD TERMINATION**



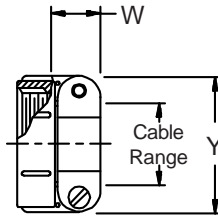
**STYLE 2 (STRAIGHT)**  
 See Note 1)



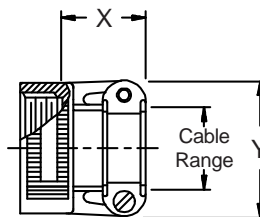
**STYLE H**  
 Heavy Duty  
 (Table X)



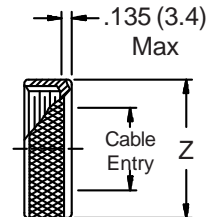
**STYLE A**  
 Medium Duty  
 (Table XI)



**STYLE M**  
 Medium Duty  
 (Table XI)



**STYLE D**  
 Medium Duty  
 (Table XI)



**390-008**  
**Submersible EMI/RFI Cable Sealing Backshell**  
 with Strain Relief  
 Type C - Direct Coupling - Low Profile



See inside back cover fold-out or pages 13 and 14 for Tables I and II.

TABLE III: FRONT ADAPTER			
Shell Size	J Max - Conn. Designator		
	A-E-F		
	J-H-L-S	D-B-G-K	C
08/09	1.180 (30.0)	1.440 (36.6)	
10/11	1.180 (30.0)	1.440 (36.6)	
12/13	1.180 (30.0)	1.440 (36.6)	1.735 (44.1)
14/15	1.180 (30.0)	1.440 (36.6)	1.915 (48.6)
16/17	1.380 (35.0)	1.560 (39.6)	1.915 (48.6)
18/19	1.380 (35.0)	1.560 (39.6)	1.915 (48.6)
20/21	1.380 (35.0)	1.560 (39.6)	1.915 (48.6)
22/23	1.380 (35.0)	1.560 (39.6)	1.915 (48.6)
24/25	1.380 (35.0)	1.560 (39.6)	1.915 (48.6)
28/29	1.610 (40.9)	1.560 (39.6)	1.915 (48.6)
32/33	1.610 (40.9)	1.750 (44.5)	1.915 (48.6)
36	1.610 (40.9)	1.750 (44.5)	1.915 (48.6)
40	1.610 (40.9)	2.190 (55.6)	1.915 (48.6)

TABLE IV: ELBOW DIMENSIONS								
Elbow Size	E Max		F Max		G Max		H Max	
04	.630	(16.0)	2.715	(69.0)	.636	(16.2)	2.725	(69.2)
06	.630	(16.0)	2.775	(70.5)	.710	(18.0)	2.845	(72.3)
08	.692	(17.6)	2.835	(72.0)	.731	(18.6)	2.865	(72.8)
10	.755	(19.2)	3.554	(90.3)	.825	(21.0)	3.564	(90.5)
12	.848	(21.5)	3.664	(93.1)	.988	(25.1)	3.654	(92.8)
16	1.036	(26.3)	3.854	(97.9)	1.087	(27.6)	3.824	(97.1)
20	1.130	(28.7)	4.192	(106.5)	1.325	(33.7)	4.122	(104.7)
24	1.255	(31.9)	4.225	(107.3)	1.337	(34.0)	4.275	(108.6)
28	1.317	(33.5)	4.325	(109.9)	1.827	(46.4)	4.525	(114.9)
32	1.348	(34.2)	4.465	(113.4)	2.027	(51.5)	4.575	(116.2)

TABLE X: CABLE ENTRY						
Dash No.	T Max	V Max	Cable Range			
			Min	Max	Min	Max
04	.780 (19.8)	.957 (24.3)	.125 (3.2)	.312 (7.9)		
06	.780 (19.8)	1.145 (29.1)	.250 (6.4)	.437 (11.1)		
08	.780 (19.8)	1.332 (33.8)	.387 (9.8)	.562 (14.3)		
10	.780 (19.8)	1.332 (33.8)	.350 (8.9)	.625 (15.9)		
12	.811 (20.6)	1.551 (39.4)	.500 (12.7)	.750 (19.1)		
16	.905 (23.0)	1.770 (45.0)	.625 (15.9)	.937 (23.8)		
20	1.092 (27.7)	2.113 (53.7)	.875 (22.2)	1.250 (31.8)		
24	1.124 (28.5)	2.363 (60.0)	1.000 (25.4)	1.375 (34.9)		
28	1.399 (35.5)	2.770 (70.4)	1.250 (31.8)	1.625 (41.3)		
32	1.399 (35.5)	3.020 (76.7)	1.437 (36.5)	1.875 (47.6)		

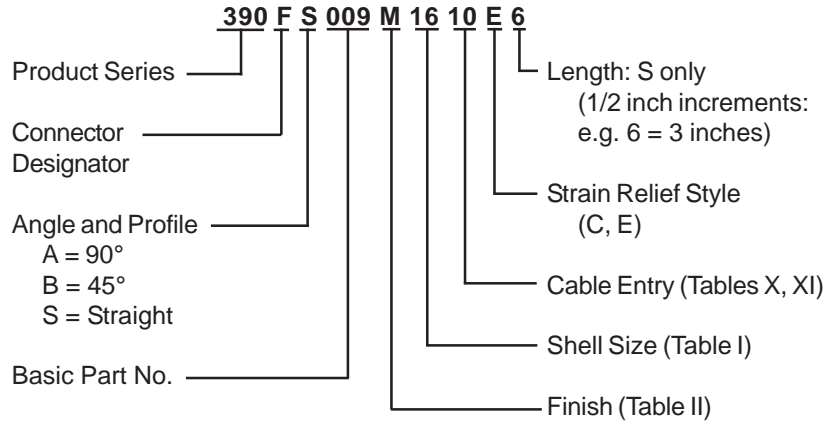
1. When maximum cable entry (page 22) is exceeded, Style 2 will be supplied. (Function S only).
2. Metric dimensions (mm) are indicated in parentheses.
3. Cable range is defined as the accommodations range for the wire bundle or cable. Dimensions shown are not intended for inspection criteria.
4. Consult factory for shorter lengths on straight backshells.
5. When using Connector Designator B refer to pages 18 and 19 for part number development.

TABLE XI: CABLE ENTRY									
Dash No.	W Max	X Max	Y Max	Z Max	Cable Range				
					Min	Max	Min	Max	Min
03*	.437 (11.1)	.760 (19.3)	.843 (21.4)	.630 (16.0)	.156 (4.0)	.250 (6.4)			
04*	.437 (11.1)	.760 (19.3)	.906 (23.0)	.755 (19.2)	.188 (4.8)	.312 (7.9)			
06*	.500 (12.7)	.760 (19.3)	1.093 (27.8)	.942 (23.9)	.281 (7.1)	.438 (11.1)			
08	.563 (14.3)	.760 (19.3)	1.187 (30.1)	1.067 (27.1)	.387 (9.8)	.562 (14.3)			
10	.563 (14.3)	.760 (19.3)	1.281 (32.5)	1.192 (30.3)	.375 (9.5)	.625 (15.9)			
12	.563 (14.3)	.760 (19.3)	1.500 (38.1)	1.380 (35.1)	.438 (11.1)	.750 (19.1)			
16	.656 (16.7)	1.073 (27.3)	1.719 (43.7)	1.535 (39.0)	.625 (15.9)	.938 (23.8)			
20	.656 (16.7)	1.323 (33.6)	2.062 (52.4)	1.848 (46.9)	.875 (22.2)	1.250 (31.8)			
24	.656 (16.7)	1.323 (33.6)	2.312 (58.7)	2.255 (57.3)	1.000 (25.4)	1.375 (34.9)			
28	1.188 (30.2)	1.572 (39.9)	2.719 (69.1)	2.505 (63.6)	1.250 (31.8)	1.625 (41.3)			
32*	1.187 (30.1)	1.572 (39.9)	2.969 (75.4)	2.755 (70.0)	1.437 (36.5)	1.875 (47.6)			
40*	1.125 (28.6)	1.572 (39.9)	3.531 (89.7)	3.255 (82.7)	1.875 (47.6)	2.375 (60.3)			

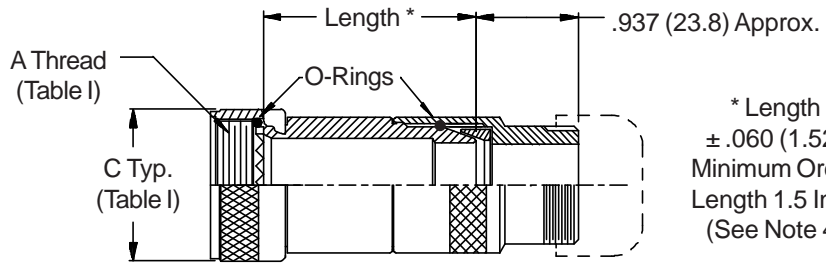
\* Not available in Style M clamp (Style A clamp supplied).

**CONNECTOR  
 DESIGNATORS  
 A-F-H-L-S  
 ROTATABLE  
 COUPLING**

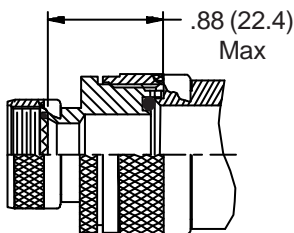
**TYPE C OVERALL  
 SHIELD TERMINATION**



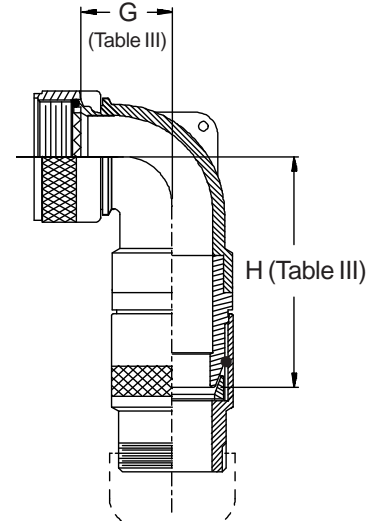
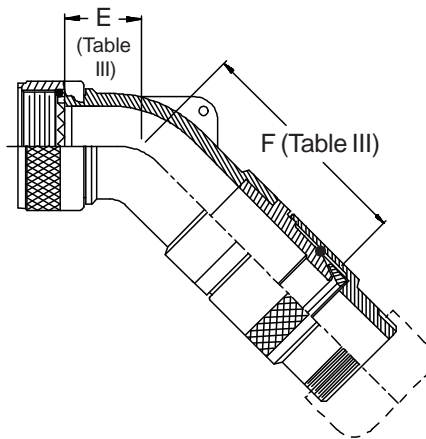
Length ± .060 (1.52)  
 Minimum Order Length 2.0 Inch  
 (See Note 4)



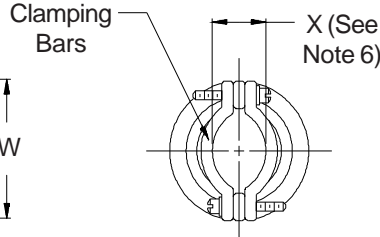
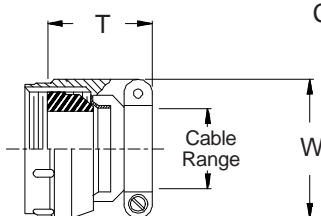
**STYLE 2  
 (STRAIGHT)**



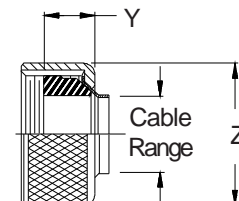
**STYLE 2  
 (45° & 90°)**



**STYLE C  
 Medium Duty  
 (Table X)**



**STYLE E  
 Medium Duty  
 (Table XI)**



**390-009**  
**Submersible EMI/RFI Cable Sealing Backshell**  
 with Strain Relief  
 Type C - Rotatable Coupling - Low Profile



See inside back cover fold-out or pages 13 and 14 for Tables I and II.

**TABLE III: ELBOW DIMENSIONS**

Shell Size		E		F		G		H	
Conn. Desig.	H	Max		Max		Max		Max	
A-F-L-S									
08	09					.500	(12.7)	2.725	(69.2)
10	11	.520	(13.2)	2.775	(70.5)	.595	(15.1)	2.845	(72.3)
12	13	.582	(14.8)	2.835	(72.0)	.610	(15.5)	2.865	(72.8)
14	15	.645	(16.4)	3.554	(90.3)	.700	(17.8)	3.564	(90.5)
16	17	.738	(18.7)	3.664	(93.1)	.885	(22.5)	3.654	(92.8)
18	19	.926	(23.5)	3.854	(97.9)	.975	(24.8)	3.824	(97.1)
20	21	.926	(23.5)	3.854	(97.9)	.975	(24.8)	3.824	(97.1)
22	23	1.020	(25.9)	4.192	(106.5)	1.125	(28.6)	4.122	(104.7)
24	25	1.020	(25.9)	4.192	(106.5)	1.125	(28.6)	4.122	(104.7)
28		1.145	(29.1)	4.225	(107.3)	1.225	(31.1)	4.275	(108.6)
32		1.207	(30.7)	4.325	(109.9)	1.575	(40.0)	4.525	(114.9)
36		1.238	(31.4)	4.465	(113.4)	1.775	(45.1)	4.575	(116.2)

**TABLE X: CABLE ENTRY**

Dash No.	T Max	W Max	X Ref	Cable Range	
				Min	Max
03	1.219 (31.0)	.812 (20.6)	.135 (3.4)	.156 (4.0)	.219 (5.6)
04	1.219 (31.0)	.937 (23.8)	.203 (5.2)	.188 (4.8)	.312 (7.9)
06	1.219 (31.0)	1.062 (27.0)	.285 (7.2)	.281 (7.1)	.438 (11.1)
08	1.219 (31.0)	1.188 (30.2)	.350 (8.9)	.312 (7.9)	.531 (13.5)
10	1.281 (32.5)	1.312 (33.3)	.390 (9.9)	.375 (9.5)	.625 (15.9)
12	1.281 (32.5)	1.562 (39.7)	.460 (11.7)	.500 (12.7)	.750 (19.1)
16	1.406 (35.7)	1.750 (44.5)	.510 (13.0)	.625 (15.9)	.938 (23.8)
20	1.656 (42.1)	2.250 (57.2)	.695 (17.7)	.938 (23.8)	1.250 (31.8)
24	1.906 (48.4)	2.375 (60.3)	.715 (18.2)	1.000 (25.4)	1.375 (34.9)
28	1.906 (48.4)	2.625 (66.7)	.915 (23.2)	1.250 (31.8)	1.625 (41.3)
32	2.000 (50.8)	2.812 (71.4)	1.070 (27.2)	1.500 (38.1)	1.875 (47.6)

**TABLE XI: CABLE ENTRY**

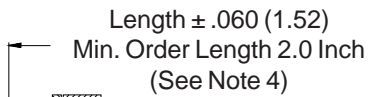
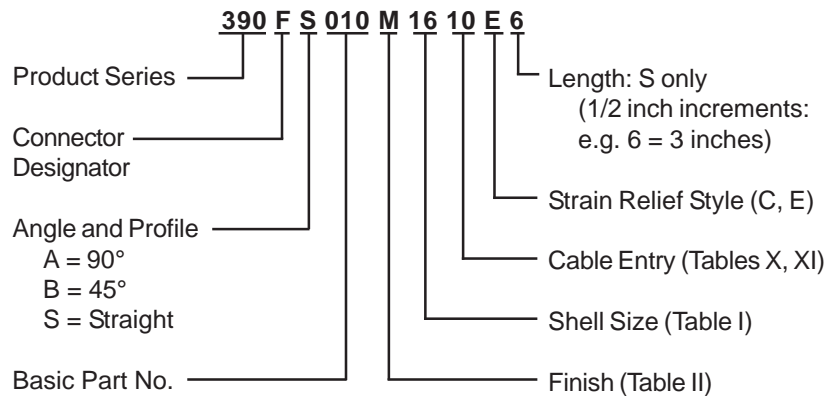
Dash No.	Y Max	Z Max	Cable Range	
			Min	Max
03	.739 (18.8)	.812 (20.6)	.156 (4.0)	.219 (5.6)
04	.739 (18.8)	.937 (23.8)	.188 (4.8)	.312 (7.9)
06	.739 (18.8)	1.062 (27.0)	.281 (7.1)	.438 (11.1)
08	.739 (18.8)	1.188 (30.2)	.312 (7.9)	.531 (13.5)
10	.791 (20.1)	1.312 (33.3)	.375 (9.5)	.625 (15.9)
12	.880 (22.4)	1.562 (39.7)	.500 (12.7)	.750 (19.1)
16	.901 (22.9)	1.750 (44.5)	.625 (15.9)	.938 (23.8)
20	1.031 (26.2)	2.250 (57.2)	.938 (23.8)	1.250 (31.8)
24	1.250 (31.8)	2.375 (60.3)	1.000 (25.4)	1.375 (34.9)
28	1.250 (31.8)	2.625 (66.7)	1.250 (31.8)	1.625 (41.3)
32	1.312 (33.3)	2.812 (71.4)	1.500 (38.1)	1.875 (47.6)

- When maximum cable entry (page 21) is exceeded, Style 2 will be supplied. Dimensions E, F, G and H will not apply. Please consult factory.
- Metric dimensions (mm) are indicated in parentheses.
- Cable range is defined as the accommodations range for the wire bundle or cable. Dimensions shown are not intended for inspection criteria.
- Consult factory for shorter lengths on straight backshells.
- Interface O-Ring not supplied with connector designator A.
- Saddles are bottomed on Clamp Ears.

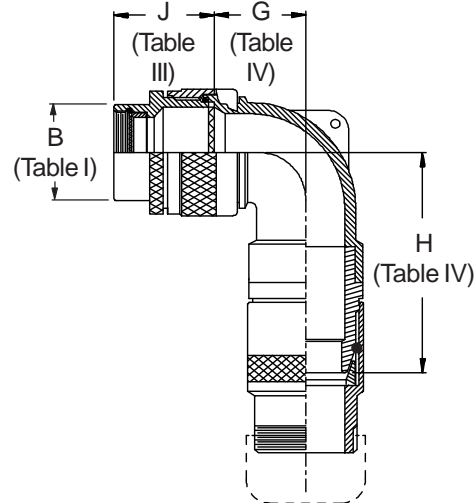
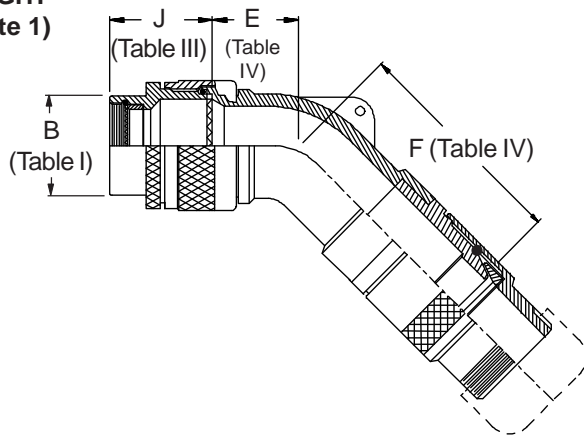
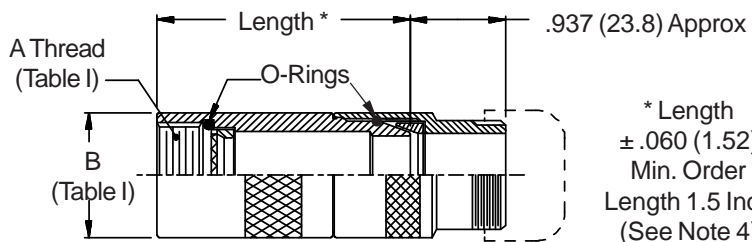
**390-010**  
**Submersible EMI/RFI Cable Sealing Backshell**  
 with Strain Relief  
**Type C - Direct Coupling - Low Profile**

**CONNECTOR DESIGNATORS**  
**A-B\*-C-D-E-F**  
**G-H-J-K-L-S**  
 \* Conn. Desig. B See Note 6  
**DIRECT COUPLING**

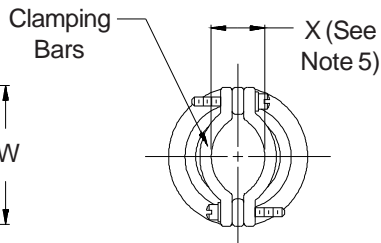
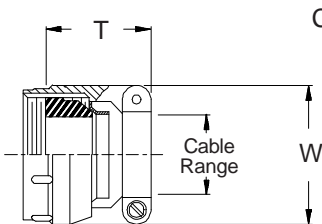
**TYPE C OVERALL SHIELD TERMINATION**



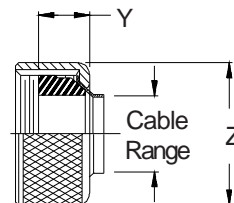
**STYLE 2**  
**(STRAIGHT)**  
 See Note 1)



**STYLE C**  
 Medium Duty  
 (Table X)



**STYLE E**  
 Medium Duty  
 (Table XI)



**390-010**  
**Submersible EMI/RFI Cable Sealing Backshell**  
 with Strain Relief  
 Type C - Direct Coupling - Low Profile



See inside back cover fold-out or pages 13 and 14 for Tables I and II.

TABLE III: FRONT ADAPTER			
Shell Size	J Max - Conn. Designator		
	A-E-F		C
	J-H-L-S	D-B-G-K	
08/09	1.180 (30.0)	1.440 (36.6)	
10/11	1.180 (30.0)	1.440 (36.6)	
12/13	1.180 (30.0)	1.440 (36.6)	1.735 (44.1)
14/15	1.180 (30.0)	1.440 (36.6)	1.915 (48.6)
16/17	1.380 (35.0)	1.560 (39.6)	1.915 (48.6)
18/19	1.380 (35.0)	1.560 (39.6)	1.915 (48.6)
20/21	1.380 (35.0)	1.560 (39.6)	1.915 (48.6)
22/23	1.380 (35.0)	1.560 (39.6)	1.915 (48.6)
24/25	1.380 (35.0)	1.560 (39.6)	1.915 (48.6)
28/29	1.610 (40.9)	1.560 (39.6)	1.915 (48.6)
32/33	1.610 (40.9)	1.750 (44.5)	1.915 (48.6)
36	1.610 (40.9)	1.750 (44.5)	1.915 (48.6)
40	1.610 (40.9)	2.190 (55.6)	1.915 (48.6)

TABLE IV: ELBOW DIMENSIONS								
Elbow Size	E		F		G		H	
	Max		Max		Max		Max	
04	.630	(16.0)	2.715	(69.0)	.636	(16.2)	2.725	(69.2)
06	.630	(16.0)	2.775	(70.5)	.710	(18.0)	2.845	(72.3)
08	.692	(17.6)	2.835	(72.0)	.731	(18.6)	2.865	(72.8)
10	.755	(19.2)	3.554	(90.3)	.825	(21.0)	3.564	(90.5)
12	.848	(21.5)	3.664	(93.1)	.988	(25.1)	3.654	(92.8)
16	1.036	(26.3)	3.854	(97.9)	1.087	(27.6)	3.824	(97.1)
20	1.130	(28.7)	4.192	(106.5)	1.325	(33.7)	4.122	(104.7)
24	1.255	(31.9)	4.225	(107.3)	1.337	(34.0)	4.275	(108.6)
28	1.317	(33.5)	4.325	(109.9)	1.827	(46.4)	4.525	(114.9)
32	1.348	(34.2)	4.465	(113.4)	2.027	(51.5)	4.575	(116.2)

TABLE X: CABLE ENTRY						
Dash No.	T Max	W Max	X Ref	Cable Range		
				Min	Max	
03	1.219 (31.0)	.812 (20.6)	.135 (3.4)	.156 (4.0)	.219 (5.6)	
04	1.219 (31.0)	.937 (23.8)	.203 (5.2)	.188 (4.8)	.312 (7.9)	
06	1.219 (31.0)	1.062 (27.0)	.285 (7.2)	.281 (7.1)	.438 (11.1)	
08	1.219 (31.0)	1.188 (30.2)	.350 (8.9)	.312 (7.9)	.531 (13.5)	
10	1.281 (32.5)	1.312 (33.3)	.390 (9.9)	.375 (9.5)	.625 (15.9)	
12	1.281 (32.5)	1.562 (39.7)	.460 (11.7)	.500 (12.7)	.750 (19.1)	
16	1.406 (35.7)	1.750 (44.5)	.510 (13.0)	.625 (15.9)	.938 (23.8)	
20	1.656 (42.1)	2.250 (57.2)	.695 (17.7)	.938 (23.8)	1.250 (31.8)	
24	1.906 (48.4)	2.375 (60.3)	.715 (18.2)	1.000 (25.4)	1.375 (34.9)	
28	1.906 (48.4)	2.625 (66.7)	.915 (23.2)	1.250 (31.8)	1.625 (41.3)	
32	2.000 (50.8)	2.812 (71.4)	1.070 (27.2)	1.500 (38.1)	1.875 (47.6)	

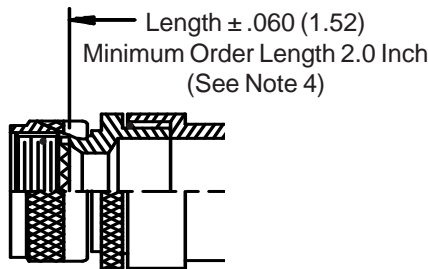
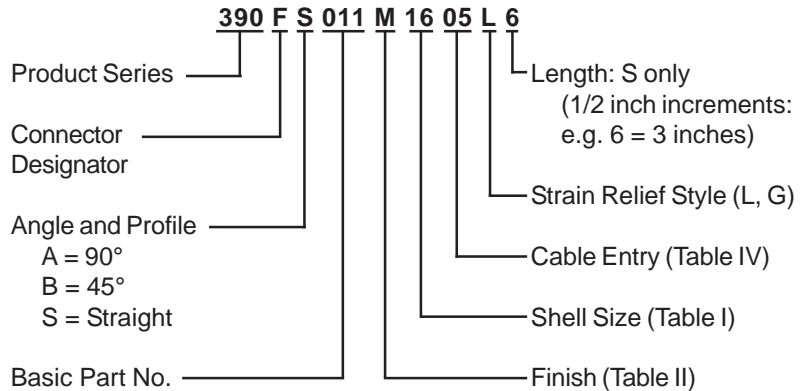
TABLE XI: CABLE ENTRY						
Dash No.	Y Max	Z Max	Cable Range			
			Min	Max		
03	.739 (18.8)	.812 (20.6)	.156 (4.0)	.219 (5.6)		
04	.739 (18.8)	.937 (23.8)	.188 (4.8)	.312 (7.9)		
06	.739 (18.8)	1.062 (27.0)	.281 (7.1)	.438 (11.1)		
08	.739 (18.8)	1.188 (30.2)	.312 (7.9)	.531 (13.5)		
10	.791 (20.1)	1.312 (33.3)	.375 (9.5)	.625 (15.9)		
12	.880 (22.4)	1.562 (39.7)	.500 (12.7)	.750 (19.1)		
16	.901 (22.9)	1.750 (44.5)	.625 (15.9)	.938 (23.8)		
20	1.031 (26.2)	2.250 (57.2)	.938 (23.8)	1.250 (31.8)		
24	1.250 (31.8)	2.375 (60.3)	1.000 (25.4)	1.375 (34.9)		
28	1.250 (31.8)	2.625 (66.7)	1.250 (31.8)	1.625 (41.3)		
32	1.312 (33.3)	2.812 (71.4)	1.500 (38.1)	1.875 (47.6)		

1. When maximum cable entry (page 22) is exceeded, Style 2 will be supplied. (Function S only).
2. Metric dimensions (mm) are indicated in parentheses.
3. Cable range is defined as the accommodations range for the wire bundle or cable. Dimensions shown are not intended for inspection criteria.
4. Consult factory for shorter lengths on straight backshells.
5. Saddles are bottomed on Clamp Ears.
6. When using Connector Designator B refer to pages 18 and 19 for part number development.

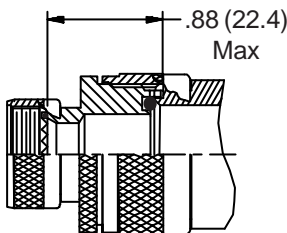


**CONNECTOR  
 DESIGNATORS  
 A-F-H-L-S  
 ROTATABLE  
 COUPLING**

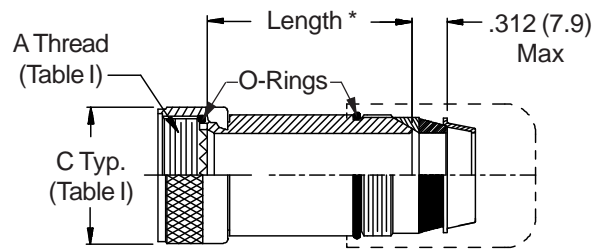
**TYPE C OVERALL  
 SHIELD TERMINATION**



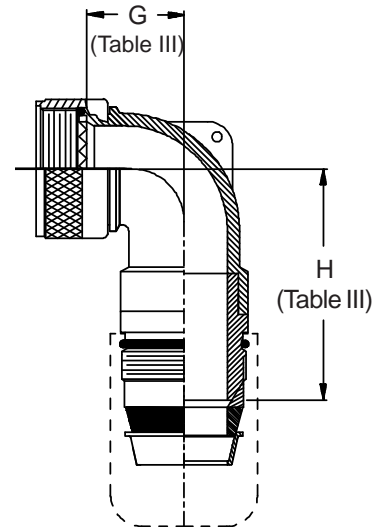
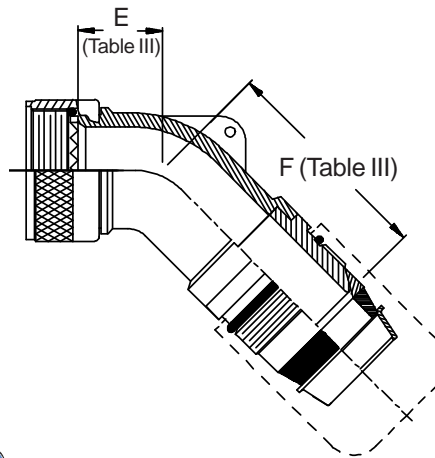
**STYLE 2  
 (STRAIGHT  
 See Note 1)**



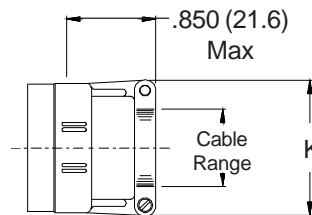
**STYLE 2  
 (45° & 90°  
 See Note 1)**



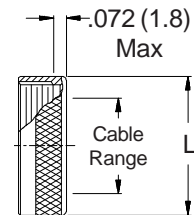
\* Length  
 ± .060 (1.52)  
 Minimum Order  
 Length 1.5 Inch  
 (See Note 4)



**STYLE L  
 Light Duty  
 (Table IV)**



**STYLE G  
 Light Duty  
 (Table IV)**



**-445** Now Available with the "NESTOR"

**Glenair's Non-Detent,  
 Spring-Loaded, Self-  
 Locking Coupling.**

**Add "-445" to Specify  
 This AS85049 Style "N"  
 Coupling Interface.**

See inside back cover fold-out or pages 13 and 14 for Tables I and II.

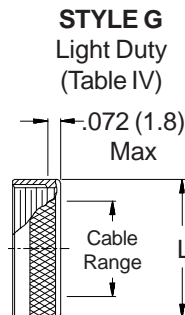
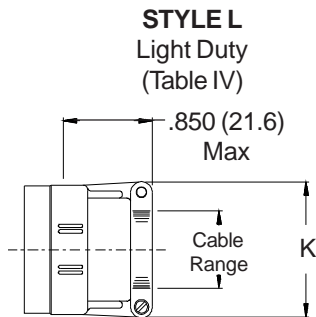
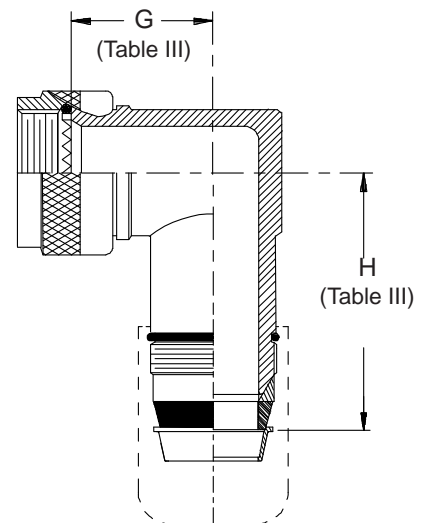
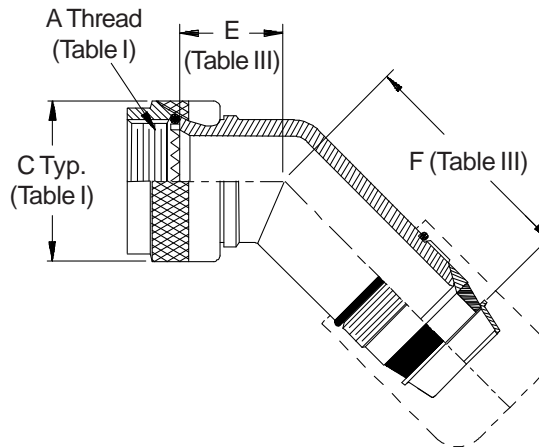
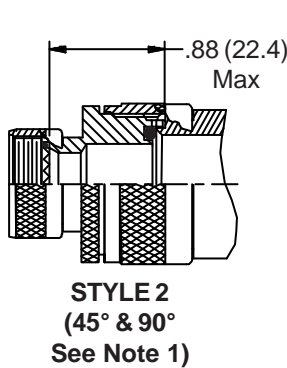
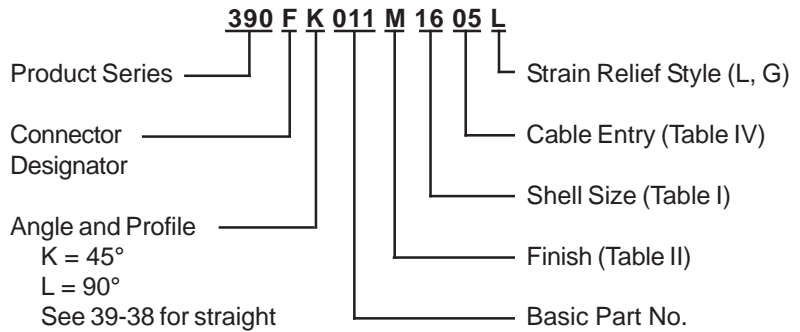
TABLE III: ELBOW DIMENSIONS									
Shell Size		E		F		G		H	
Conn. Desig.	H	Max		Max		Max		Max	
A-F-L-S									
08	09					.500	(12.7)	1.698	(43.1)
10	11	.520	(13.2)	1.748	(44.4)	.595	(15.1)	1.818	(46.2)
12	13	.582	(14.8)	1.808	(45.9)	.610	(15.5)	1.838	(46.7)
14	15	.645	(16.4)	1.898	(48.2)	.700	(17.8)	1.908	(48.5)
16	17	.738	(18.7)	2.008	(51.0)	.885	(22.5)	1.998	(50.7)
18	19	.926	(23.5)	2.198	(55.8)	.975	(24.8)	2.168	(55.1)
20	21	.926	(23.5)	2.198	(55.8)	.975	(24.8)	2.168	(55.1)
22	23	1.020	(25.9)	2.348	(59.6)	1.125	(28.6)	2.278	(57.9)
24	25	1.020	(25.9)	2.348	(59.6)	1.125	(28.6)	2.278	(57.9)
28		1.145	(29.1)	2.398	(60.9)	1.225	(31.1)	2.448	(62.2)
32		1.207	(30.7)	2.498	(63.4)	1.575	(40.0)	2.698	(68.5)
36		1.238	(31.4)	2.588	(65.7)	1.775	(45.1)	2.698	(68.5)

TABLE IV: CABLE ENTRY							
Dash No.	K Max	L Max	Cable Range				
			Min		Max		
01	.781 (19.8)	.593 (15.1)	.062 (1.6)	.125 (3.2)			
02	.968 (24.6)	.718 (18.2)	.125 (3.2)	.250 (6.4)			
03	1.046 (26.6)	.843 (21.4)	.250 (6.4)	.375 (9.5)			
04	1.156 (29.4)	.968 (24.6)	.375 (9.5)	.500 (12.7)			
05	1.218 (30.9)	1.109 (28.2)	.500 (12.7)	.625 (15.9)			
06	1.343 (34.1)	1.218 (30.9)	.625 (15.9)	.750 (19.1)			
07	1.468 (37.3)	1.343 (34.1)	.750 (19.1)	.875 (22.2)			
08	1.593 (40.5)	1.468 (37.3)	.875 (22.2)	1.000 (25.4)			
09	1.718 (43.6)	1.593 (40.5)	1.000 (25.4)	1.125 (28.6)			
10	1.843 (46.8)	1.718 (43.6)	1.125 (28.6)	1.250 (31.8)			

1. When maximum cable entry (page 21) is exceeded, Style 2 will be supplied. Dimensions E, F, G and H will not apply. Please consult factory.
2. Metric dimensions (mm) are indicated in parentheses.
3. Cable range is defined as the accommodations range for the wire bundle or cable. Dimensions shown are not intended for inspection criteria.
4. Consult factory for shorter lengths on straight backshells.
5. Interface O-Ring not supplied with Connector Designator A.

**CONNECTOR  
 DESIGNATORS  
 A-F-H-L-S  
 ROTATABLE  
 COUPLING**

**TYPE C OVERALL  
 SHIELD TERMINATION**



**-445** Now Available with the "NESTOR"

**Add "-445" to Specify Glenair's Non-Detent, Spring-Loaded, Self-Locking Coupling. See Page 41 for Details.**

See inside back cover fold-out or pages 13 and 14 for Tables I and II.

<b>TABLE III: ELBOW DIMENSIONS</b>									
Shell Size		E		F		G		H	
Conn. Desig.	H	±.062	±(1.6)	±.062	±(1.6)	±.062	±(1.6)	±.062	±(1.6)
A-F-L-S	H								
08	09	.398	(10.1)	2.210	(56.1)	.438	(11.1)	2.080	(52.8)
10	11	.458	(11.6)	2.270	(57.7)	.533	(13.5)	2.120	(53.8)
12	13	.518	(13.2)	2.330	(59.2)	.548	(13.9)	2.090	(53.1)
14	15	.588	(14.9)	2.420	(61.5)	.638	(16.2)	2.090	(53.1)
16	17	.678	(17.2)	2.530	(64.3)	.823	(20.9)	2.130	(54.1)
18	19	.868	(22.0)	2.720	(69.1)	.913	(23.2)	2.250	(57.2)
20	21	.868	(22.0)	2.720	(69.1)	.913	(23.2)	2.180	(55.4)
22	23	.958	(24.3)	2.870	(72.9)	1.063	(27.0)	2.240	(56.9)
24	25	.958	(24.3)	2.870	(72.9)	1.063	(27.0)	2.170	(55.1)
28		1.041	(26.4)	3.020	(76.7)	1.230	(31.2)	2.320	(58.9)
32		1.092	(27.7)	3.270	(83.1)	1.610	(40.9)	2.570	(65.3)
36		1.138	(28.9)	3.500	(88.9)	1.720	(43.7)	2.800	(71.1)

<b>TABLE IV: CABLE ENTRY</b>					
Dash No.	K Max	L Max	Cable Range		
			Min	Max	
01	.781 (19.8)	.593 (15.1)	.062 (1.6)	.125 (3.2)	
02	.968 (24.6)	.718 (18.2)	.125 (3.2)	.250 (6.4)	
03	1.046 (26.6)	.843 (21.4)	.250 (6.4)	.375 (9.5)	
04	1.156 (29.4)	.968 (24.6)	.375 (9.5)	.500 (12.7)	
05	1.218 (30.9)	1.109 (28.2)	.500 (12.7)	.625 (15.9)	
06	1.343 (34.1)	1.218 (30.9)	.625 (15.9)	.750 (19.1)	
07	1.468 (37.3)	1.343 (34.1)	.750 (19.1)	.875 (22.2)	
08	1.593 (40.5)	1.468 (37.3)	.875 (22.2)	1.000 (25.4)	
09	1.718 (43.6)	1.593 (40.5)	1.000 (25.4)	1.125 (28.6)	
10	1.843 (46.8)	1.718 (43.6)	1.125 (28.6)	1.250 (31.8)	

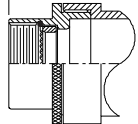
1. When maximum cable entry (page 21) is exceeded, Style 2 will be supplied. Dimensions E, F, G and H will not apply. Please consult factory.
2. Metric dimensions (mm) are indicated in parentheses.
3. Cable range is defined as the accommodations range for the wire bundle or cable. Dimensions shown are not intended for inspection criteria.
4. Consult factory for shorter lengths on straight backshells.
5. Interface O-Ring not supplied with Connector Designator A.
6. -445 modification not available on MIL-DTL-38999 Series II.

**CONNECTOR  
 DESIGNATORS**  
**A-B\*-C-D-E-F**  
**G-H-J-K-L-S**

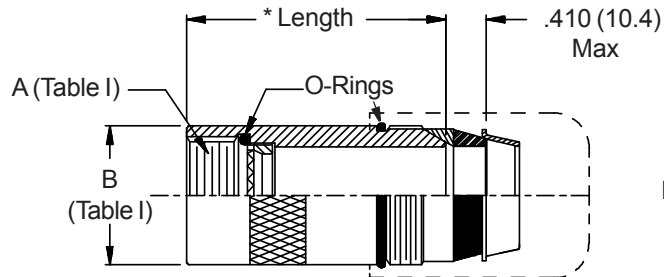
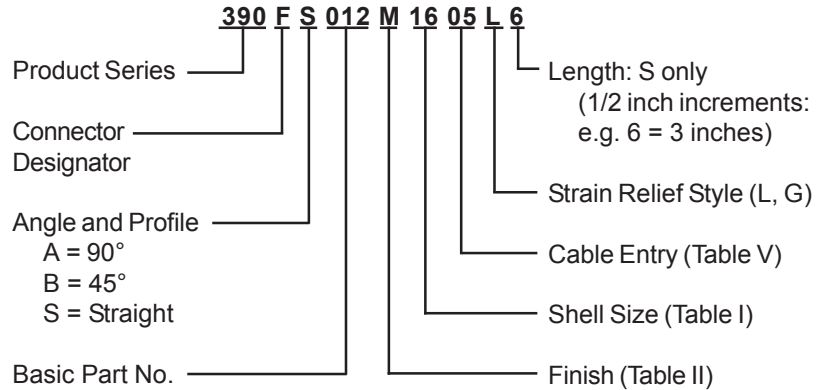
\* Conn. Desig. B See Note 5  
**DIRECT COUPLING**

**TYPE C OVERALL  
 SHIELD TERMINATION**

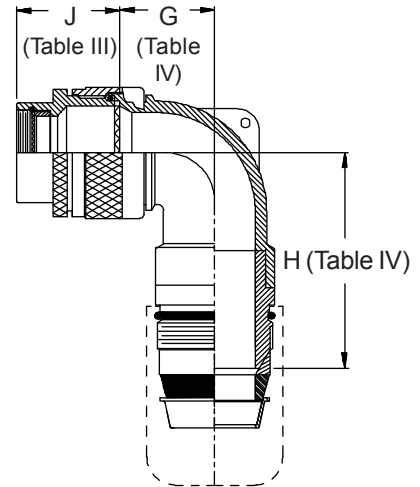
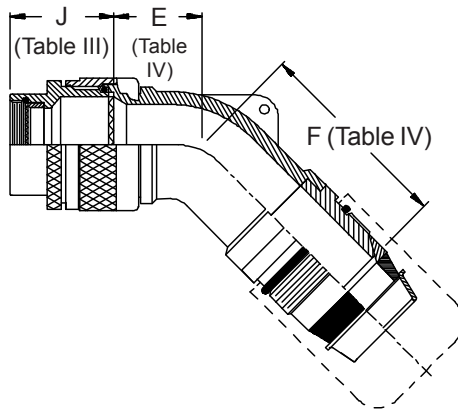
Length ± .060 (1.52)  
 Min. Order Length 2.0 Inch  
 (See Note 4)



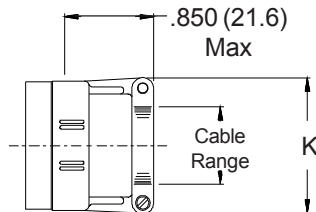
**STYLE 2  
 (STRAIGHT  
 See Note 1)**



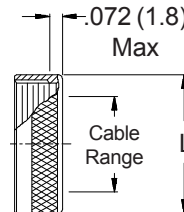
\* Length  
 ± .060 (1.52)  
 Min. Order  
 Length 1.5 Inch  
 (See Note 4)



**STYLE L  
 Light Duty  
 (Table V)**



**STYLE G  
 Light Duty  
 (Table V)**



**390-012**  
**Splash-Proof EMI/RFI Cable Sealing Backshell**  
**Light-Duty with Strain Relief**  
**Type C - Direct Coupling - Low Profile**



**TABLE III: FRONT ADAPTER**

Shell Size	J Max - Conn. Designator		
	A-E-F J-H-L-S	D-B-G-K	C
08/09	1.180 (30.0)	1.440 (36.6)	
10/11	1.180 (30.0)	1.440 (36.6)	
12/13	1.180 (30.0)	1.440 (36.6)	1.735 (44.1)
14/15	1.180 (30.0)	1.440 (36.6)	1.915 (48.6)
16/17	1.380 (35.0)	1.560 (39.6)	1.915 (48.6)
18/19	1.380 (35.0)	1.560 (39.6)	1.915 (48.6)
20/21	1.380 (35.0)	1.560 (39.6)	1.915 (48.6)
22/23	1.380 (35.0)	1.560 (39.6)	1.915 (48.6)
24/25	1.380 (35.0)	1.560 (39.6)	1.915 (48.6)
28/29	1.610 (40.9)	1.560 (39.6)	1.915 (48.6)
32/33	1.610 (40.9)	1.750 (44.5)	1.915 (48.6)
36	1.610 (40.9)	1.750 (44.5)	1.915 (48.6)
40	1.610 (40.9)	2.190 (55.6)	1.915 (48.6)

See inside back cover  
fold-out or pages 13 and  
14 for Tables I and II.

1. When maximum cable entry (page 22) is exceeded, Style 2 will be supplied. (Function S only).
2. Metric dimensions (mm) are indicated in parentheses.
3. Cable range is defined as the accommodations range for the wire bundle or cable. Dimensions shown are not intended for inspection criteria.
4. Consult factory for shorter lengths on straight backshells.
5. When using Connector Designator B refer to pages 18 and 19 for part number development.

**TABLE IV: CABLE ENTRY**

Elbow Size	E Max	F Max	G Max	H Max
01	.457 (11.6)	1.700 (43.2)	.636 (16.2)	1.698 (43.1)
02	.457 (11.6)	1.700 (43.2)	.636 (16.2)	1.698 (43.1)
03	.630 (16.0)	1.748 (44.4)	.709 (18.0)	1.818 (46.2)
04	.692 (17.6)	1.808 (45.9)	.734 (18.6)	1.838 (46.7)
05	.755 (19.2)	1.898 (48.2)	.825 (21.0)	1.908 (48.5)
06	.848 (21.5)	1.998 (50.7)	.990 (25.1)	1.998 (50.7)
07	1.036 (26.3)	2.198 (55.8)	1.090 (27.7)	2.168 (55.1)
08	1.130 (28.7)	2.338 (59.4)	1.325 (33.7)	2.278 (57.9)
09	1.130 (28.7)	2.338 (59.4)	1.325 (33.7)	2.278 (57.9)
10	1.130 (28.7)	2.338 (59.4)	1.325 (33.7)	2.278 (57.9)

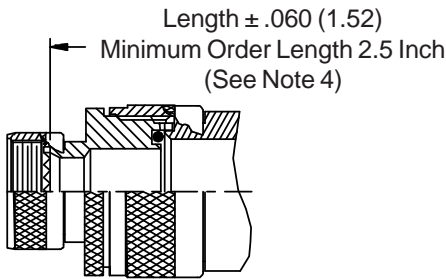
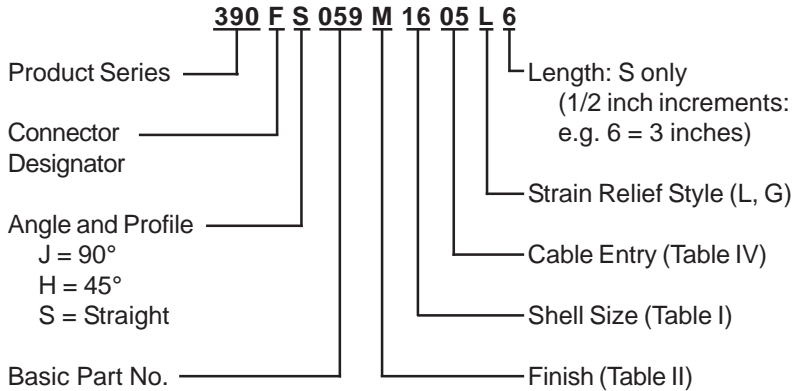
**TABLE V: CABLE ENTRY**

Dash No.	K Max	L Max	Cable Range	
			Min	Max
01	.781 (19.8)	.593 (15.1)	.062 (1.6)	.125 (3.2)
02	.968 (24.6)	.718 (18.2)	.125 (3.2)	.250 (6.4)
03	1.046 (26.6)	.843 (21.4)	.250 (6.4)	.375 (9.5)
04	1.156 (29.4)	.968 (24.6)	.375 (9.5)	.500 (12.7)
05	1.218 (30.9)	1.109 (28.2)	.500 (12.7)	.625 (15.9)
06	1.343 (34.1)	1.218 (30.9)	.625 (15.9)	.750 (19.1)
07	1.468 (37.3)	1.343 (34.1)	.750 (19.1)	.875 (22.2)
08	1.593 (40.5)	1.468 (37.3)	.875 (22.2)	1.000 (25.4)
09	1.718 (43.6)	1.593 (40.5)	1.000 (25.4)	1.125 (28.6)
10	1.843 (46.8)	1.718 (43.6)	1.125 (28.6)	1.250 (31.8)

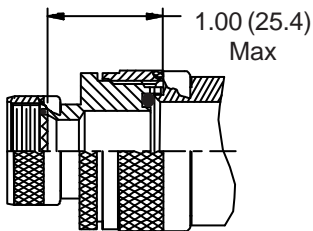


**CONNECTOR  
 DESIGNATORS  
 A-F-H-L-S  
 SELF-LOCKING  
 ROTATABLE  
 COUPLING**

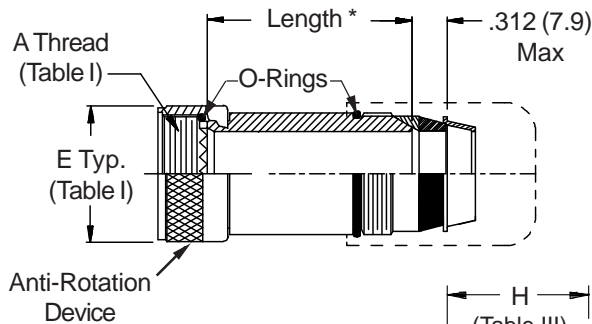
**TYPE C OVERALL  
 SHIELD TERMINATION**



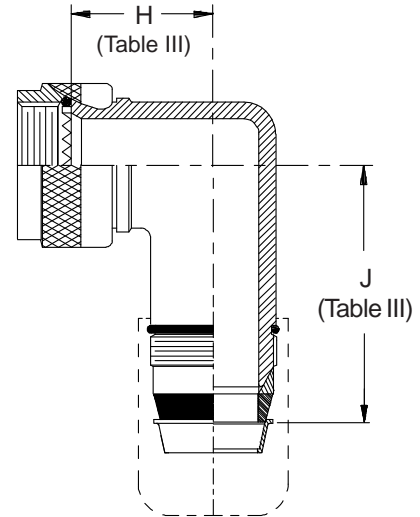
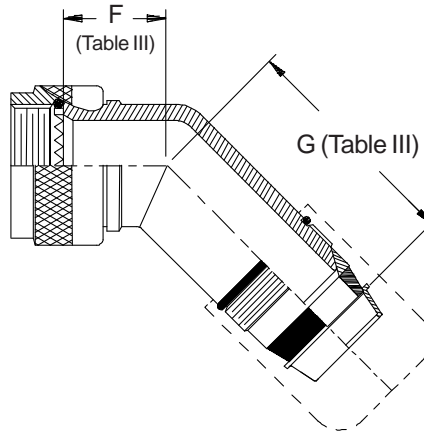
**STYLE 2  
 (STRAIGHT  
 See Note 1)**



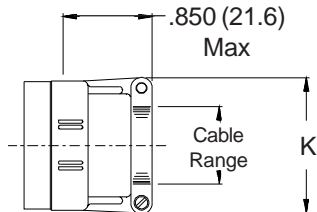
**STYLE 2  
 (45° & 90°  
 See Note 1)**



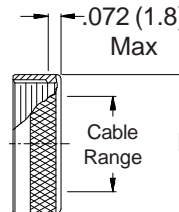
\* Length  $\pm .060$  (1.52)  
 Minimum Order Length 2.0 Inch  
 (See Note 4)



**STYLE L  
 Light Duty  
 (Table IV)**



**STYLE G  
 Light Duty  
 (Table IV)**





See inside back cover  
 fold-out or pages 13 and  
 14 for Tables I and II.

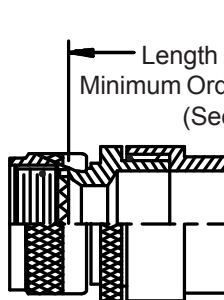
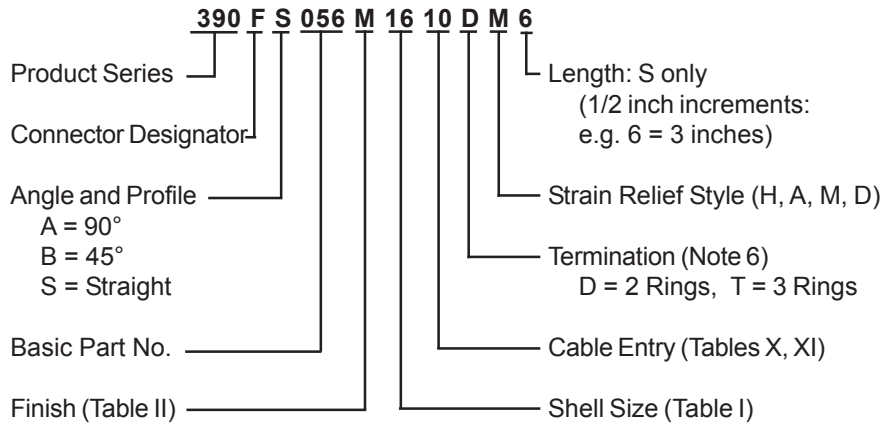
<b>TABLE III: ELBOW DIMENSIONS</b>											
<b>Shell Size</b>		<b>Conn. Desig.</b>		<b>F</b>		<b>G</b>		<b>H</b>		<b>J</b>	
<b>A-F-L-S</b>	<b>H</b>	<b>Max</b>		<b>Max</b>		<b>Max</b>		<b>Max</b>			
08	09	.795	(20.2)	2.210	(56.1)	.906	(23.0)	2.080	(52.8)		
10	11	.820	(20.8)	2.270	(57.7)	.966	(24.5)	2.120	(53.8)		
12	13	.844	(21.4)	2.330	(59.2)	1.026	(26.1)	2.090	(53.1)		
14	15	.861	(21.9)	2.420	(61.5)	1.076	(27.3)	2.090	(53.1)		
16	17	.888	(22.6)	2.530	(64.3)	1.136	(28.9)	2.130	(54.1)		
18	19	.904	(23.0)	2.720	(69.1)	1.176	(29.9)	2.250	(57.2)		
20	21	.929	(23.6)	2.720	(69.1)	1.236	(31.4)	2.180	(55.4)		
22	23	.956	(24.3)	2.870	(72.9)	1.296	(32.9)	2.240	(56.9)		
24	25	.979	(24.9)	2.870	(72.9)	1.356	(34.4)	2.170	(55.1)		
28		1.197	(30.4)	3.020	(76.7)	1.636	(41.6)	2.320	(58.9)		
32		1.280	(32.5)	3.270	(83.1)	1.780	(45.2)	2.570	(65.3)		
36		1.294	(32.9)	3.500	(88.9)	1.876	(47.7)	2.800	(71.1)		

<b>TABLE IV: CABLE ENTRY</b>						
<b>Dash No.</b>	<b>K Max</b>	<b>L Max</b>	<b>Cable Range</b>			
			<b>Min</b>	<b>Max</b>		
01	.781 (19.8)	.593 (15.1)	.062 (1.6)	.125 (3.2)	.250 (6.4)	.375 (9.5)
02	.968 (24.6)	.718 (18.2)	.125 (3.2)	.250 (6.4)	.375 (9.5)	.500 (12.7)
03	1.046 (26.6)	.843 (21.4)	.250 (6.4)	.375 (9.5)	.500 (12.7)	.625 (15.9)
04	1.156 (29.4)	.968 (24.6)	.375 (9.5)	.500 (12.7)	.625 (15.9)	.750 (19.1)
05	1.218 (30.9)	1.109 (28.2)	.500 (12.7)	.625 (15.9)	.750 (19.1)	.875 (22.2)
06	1.343 (34.1)	1.218 (30.9)	.625 (15.9)	.750 (19.1)	1.000 (25.4)	1.125 (28.6)
07	1.468 (37.3)	1.343 (34.1)	.750 (19.1)	.875 (22.2)	1.000 (25.4)	1.125 (28.6)
08	1.593 (40.5)	1.468 (37.3)	.875 (22.2)	1.000 (25.4)	1.125 (28.6)	1.250 (31.8)
09	1.718 (43.6)	1.593 (40.5)	1.000 (25.4)	1.125 (28.6)	1.250 (31.8)	
10	1.843 (46.8)	1.718 (43.6)	1.125 (28.6)	1.250 (31.8)		

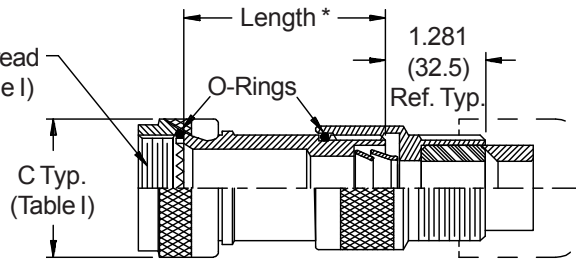
1. When maximum cable entry (page 21) is exceeded, Style 2 will be supplied. Dimensions F, G, H and J will not apply. Please consult factory.
2. Metric dimensions (mm) are indicated in parentheses.
3. Cable range is defined as the accommodations range for the wire bundle or cable. Dimensions shown are not intended for inspection criteria.
4. Consult factory for shorter lengths on straight backshells.
5. Interface O-Ring not supplied with Connector Designator A.

**CONNECTOR DESIGNATORS**  
**A-F-H-L-S**  
**ROTATABLE COUPLING**

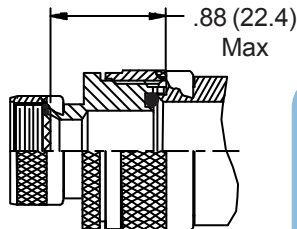
**TYPE E INDIVIDUAL AND/OR OVERALL SHIELD TERMINATION**



**STYLE 2 (STRAIGHT)**  
 See Note 1)

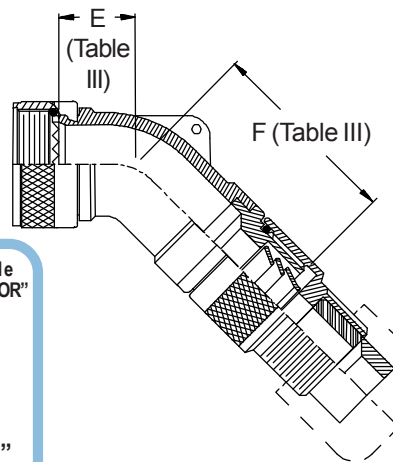


\* Length  $\pm .060$  (1.52)  
 Minimum Order Length 1.5 Inch (See Note 4)



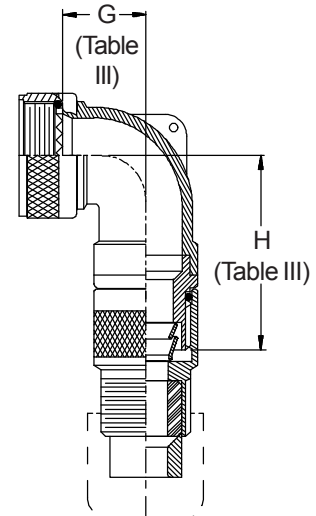
**STYLE 2 (45° & 90°)**  
 See Note 1)

**-445** Now Available with the "NESTOR"  
 Glenair's Non-Detent, Spring-Loaded, Self-Locking Coupling.  
 Add "-445" to Specify This AS85049 Style "N" Coupling Interface.

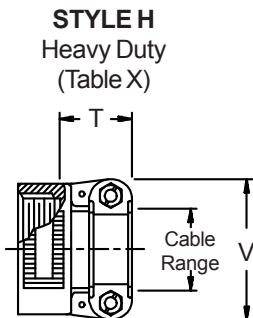


**STYLE A**  
 Medium Duty (Table XI)

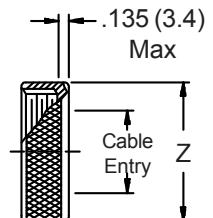
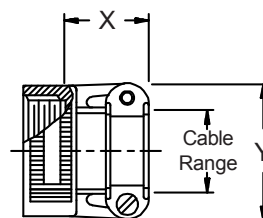
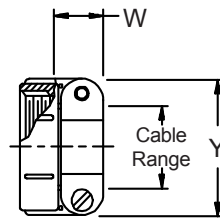
**STYLE M**  
 Medium Duty (Table XI)



**STYLE D**  
 Medium Duty (Table XI)



**STYLE H**  
 Heavy Duty (Table X)



**390-056**  
**Submersible EMI/RFI Cable Sealing Backshell**  
**with Strain Relief**  
**Type E - Rotatable Coupling - Low Profile**



**TABLE III: ELBOW DIMENSIONS**

Shell Size		E Max	F Max	G Max	H Max
Conn. Desig.	A-F-L-S H				
08	09	.457 (11.6)	1.760 (44.7)	.500 (12.7)	1.880 (47.8)
10	11	.520 (13.2)	1.920 (48.8)	.595 (15.1)	1.990 (50.5)
12	13	.582 (14.8)	1.990 (50.5)	.610 (15.5)	2.020 (51.3)
14	15	.645 (16.4)	2.144 (54.5)	.700 (17.8)	2.154 (54.7)
16	17	.738 (18.7)	2.254 (57.3)	.885 (22.5)	2.244 (57.0)
18	19	.926 (23.5)	2.444 (62.1)	.975 (24.8)	2.414 (61.3)
20	21	.926 (23.5)	2.444 (62.1)	.975 (24.8)	2.414 (61.3)
22	23	1.020 (25.9)	2.657 (67.5)	1.125 (28.6)	2.587 (65.7)
24	25	1.020 (25.9)	2.657 (67.5)	1.125 (28.6)	2.587 (65.7)
28		1.145 (29.1)	2.690 (68.3)	1.225 (31.1)	2.740 (69.6)
32		1.207 (30.7)	2.790 (70.9)	1.575 (40.0)	2.990 (75.9)
36		1.238 (31.4)	2.930 (74.4)	1.775 (45.1)	3.040 (77.2)

**TABLE X: CABLE ENTRY**

Dash No.	T Max	V Max	Cable Range	
			Min	Max
04	.780 (19.8)	.957 (24.3)	.125 (3.2)	.312 (7.9)
06	.780 (19.8)	1.145 (29.1)	.250 (6.4)	.437 (11.1)
08	.780 (19.8)	1.332 (33.8)	.387 (9.8)	.562 (14.3)
10	.780 (19.8)	1.332 (33.8)	.350 (8.9)	.625 (15.9)
12	.811 (20.6)	1.551 (39.4)	.500 (12.7)	.750 (19.1)
16	.905 (23.0)	1.770 (45.0)	.625 (15.9)	.937 (23.8)
20	1.092 (27.7)	2.113 (53.7)	.875 (22.2)	1.250 (31.8)
24	1.124 (28.5)	2.363 (60.0)	1.000 (25.4)	1.375 (34.9)
28	1.399 (35.5)	2.770 (70.4)	1.250 (31.8)	1.625 (41.3)
32	1.399 (35.5)	3.020 (76.7)	1.437 (36.5)	1.875 (47.6)

**TABLE XI: CABLE ENTRY**

Dash No.	W Max	X Max	Y Max	Z Max	Cable Range	
					Min **	Max
03*	.437 (11.1)	.760 (19.3)	.843 (21.4)	.630 (16.0)	.156 (4.0)	.250 (6.4)
04*	.437 (11.1)	.760 (19.3)	.906 (23.0)	.755 (19.2)	.188 (4.8)	.312 (7.9)
06*	.500 (12.7)	.760 (19.3)	1.093 (27.8)	.942 (23.9)	.281 (7.1)	.438 (11.1)
08	.563 (14.3)	.760 (19.3)	1.187 (30.1)	1.067 (27.1)	.387 (9.8)	.562 (14.3)
10	.563 (14.3)	.760 (19.3)	1.281 (32.5)	1.192 (30.3)	.375 (9.5)	.625 (15.9)
12	.563 (14.3)	.760 (19.3)	1.500 (38.1)	1.380 (35.1)	.438 (11.1)	.750 (19.1)
16	.656 (16.7)	1.073 (27.3)	1.719 (43.7)	1.535 (39.0)	.625 (15.9)	.938 (23.8)
20	.656 (16.7)	1.323 (33.6)	2.062 (52.4)	1.848 (46.9)	.875 (22.2)	1.250 (31.8)
24	.656 (16.7)	1.323 (33.6)	2.312 (58.7)	2.255 (57.3)	1.000 (25.4)	1.375 (34.9)
28	1.188 (30.2)	1.572 (39.9)	2.719 (69.1)	2.505 (63.6)	1.250 (31.8)	1.625 (41.3)
32*	1.187 (30.1)	1.572 (39.9)	2.969 (75.4)	2.755 (70.0)	1.437 (36.5)	1.875 (47.6)
40*	1.125 (28.6)	1.572 (39.9)	3.531 (89.7)	3.255 (82.7)	1.875 (47.6)	2.375 (60.3)

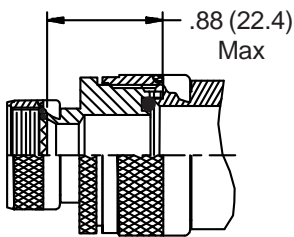
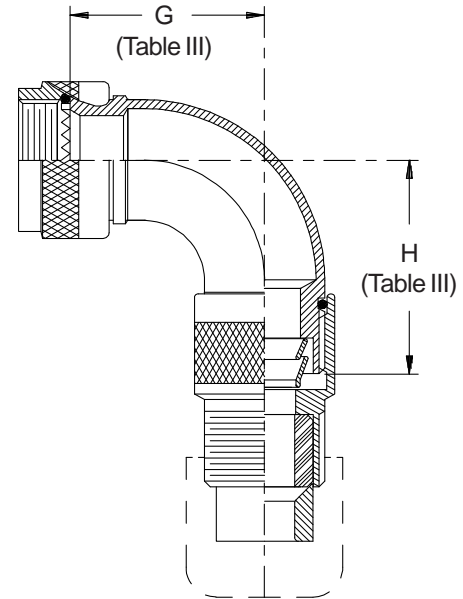
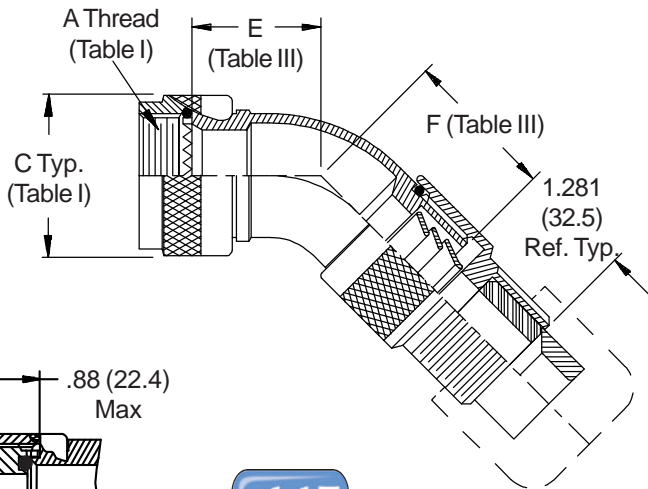
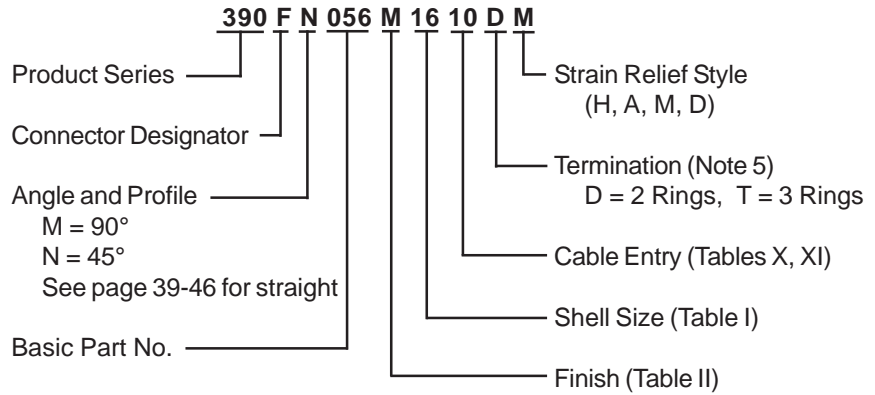
\* Not available in Style M clamp.

See inside back cover fold-out or pages 13 and 14 for Tables I and II.

1. When maximum cable entry (page 21) is exceeded, Style 2 will be supplied. Dimensions E, F, G and H will not apply. Please consult factory.
2. Metric dimensions (mm) are indicated in parentheses.
3. Cable range is defined as the accommodations range for the wire bundle or cable. Dimensions shown are not intended for inspection criteria.
4. Consult factory for shorter lengths on straight backshells.
5. Interface O-Ring not supplied with connector designator A.
6. Designate Symbol T for 3 ring termination of individual and overall braid. Designate D for standard 2 ring termination of individual or overall braid.

**CONNECTOR  
 DESIGNATORS  
 A-F-H-L-S  
 ROTATABLE  
 COUPLING**

**TYPE E INDIVIDUAL  
 AND/OR OVERALL  
 SHIELD TERMINATION**

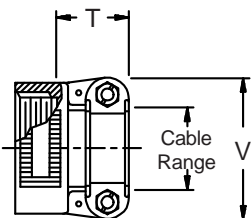


**STYLE 2**  
 (See Note 1)

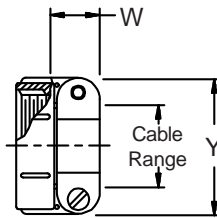
**-445** Now Available with the "NESTOR"

**Glenair's Non-Detent, Spring-Loaded, Self-Locking Coupling.**  
 Add "-445" to Specify This AS85049 Style "N" Coupling Interface.

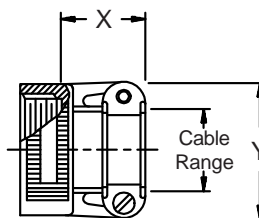
**STYLE H**  
 Heavy Duty  
 (Table X)



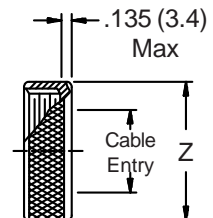
**STYLE A**  
 Medium Duty  
 (Table XI)



**STYLE M**  
 Medium Duty  
 (Table XI)



**STYLE D**  
 Medium Duty  
 (Table XI)



**390-056**  
**Submersible EMI/RFI Cable Sealing Backshell**  
**with Strain Relief**  
**Type E - Rotatable Coupling - Full Radius Profile**



**TABLE III: ELBOW DIMENSIONS**

Shell Size		E		F		G		H	
Conn. Desig.	A-F-L-S H	Max		Max		Max		Max	
08	09	.812	(20.6)	.844	(21.4)	1.125	(28.6)	1.157	(29.4)
10	11	.875	(22.2)	.907	(23.0)	1.250	(31.8)	1.281	(32.5)
12	13	.938	(23.8)	.969	(24.6)	1.375	(34.9)	1.407	(35.7)
14	15	1.000	(25.4)	1.031	(26.2)	1.500	(38.1)	1.531	(38.9)
16	17	1.062	(27.0)	1.094	(27.8)	1.625	(41.3)	1.657	(42.1)
18	19	1.094	(27.8)	1.125	(28.6)	1.750	(44.5)	1.781	(45.2)
20	21	1.156	(29.4)	1.188	(30.2)	1.875	(47.6)	1.907	(48.4)
22	23	1.188	(30.2)	1.219	(31.0)	2.000	(50.8)	2.031	(51.6)
24	25	1.250	(31.8)	1.281	(32.5)	2.125	(54.0)	2.157	(54.8)
28		1.344	(34.1)	1.594	(40.5)	2.375	(60.3)	2.594	(65.9)

**See inside back cover fold-out or pages 13 and 14 for Tables I and II.**

1. When maximum cable entry (page 21) is exceeded, Style 2 will be supplied. Dimensions E, F, G and H will not apply. Please consult factory.
2. Metric dimensions (mm) are indicated in parentheses.
3. Cable range is defined as the accommodations range for the wire bundle or cable. Dimensions shown are not intended for inspection criteria.
4. Interface O-Ring not supplied with connector designator A.
5. Designate Symbol T for 3 ring termination of individual and overall braid. Designate D for standard 2 ring termination of individual or overall braid.

**TABLE X: CABLE ENTRY**

Dash No.	T Max	V Max	Cable Range	
			Min	Max
04	.780 (19.8)	.957 (24.3)	.125 (3.2)	.312 (7.9)
06	.780 (19.8)	1.145 (29.1)	.250 (6.4)	.437 (11.1)
08	.780 (19.8)	1.332 (33.8)	.387 (9.8)	.562 (14.3)
10	.780 (19.8)	1.332 (33.8)	.350 (8.9)	.625 (15.9)
12	.811 (20.6)	1.551 (39.4)	.500 (12.7)	.750 (19.1)
16	.905 (23.0)	1.770 (45.0)	.625 (15.9)	.937 (23.8)
20	1.092 (27.7)	2.113 (53.7)	.875 (22.2)	1.250 (31.8)
24	1.124 (28.5)	2.363 (60.0)	1.000 (25.4)	1.375 (34.9)
28	1.399 (35.5)	2.770 (70.4)	1.250 (31.8)	1.625 (41.3)
32	1.399 (35.5)	3.020 (76.7)	1.437 (36.5)	1.875 (47.6)

**TABLE XI: CABLE ENTRY**

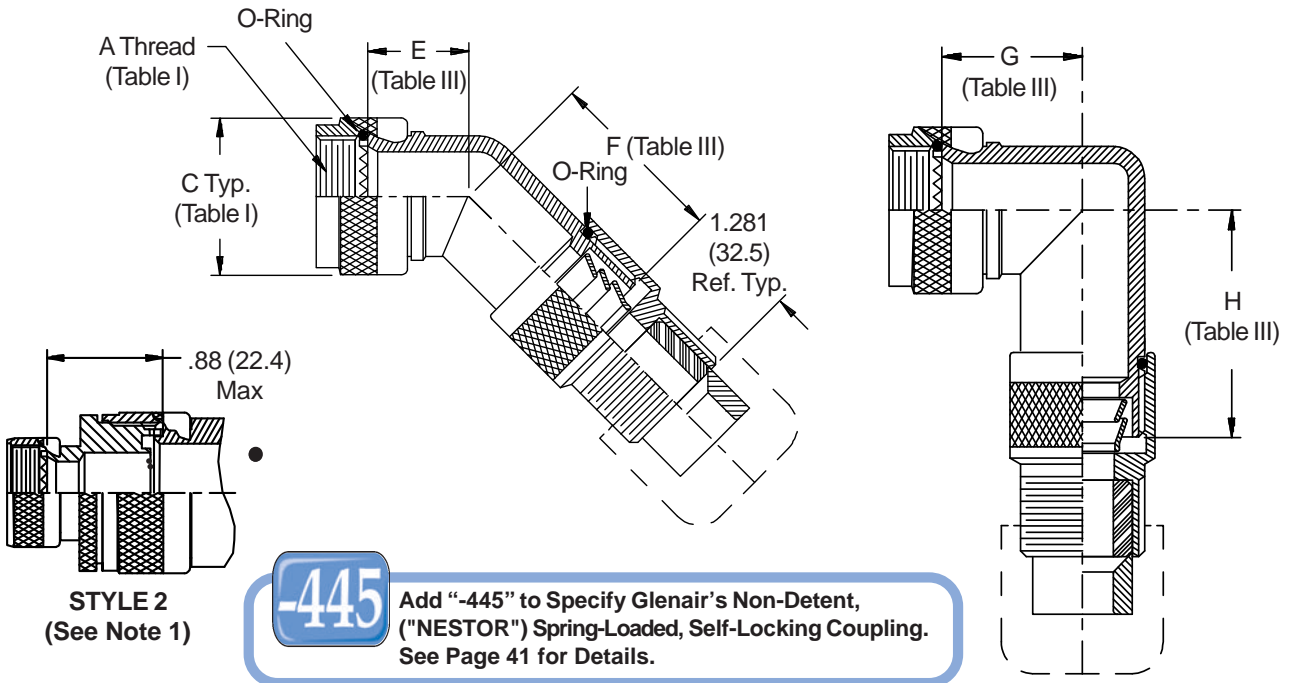
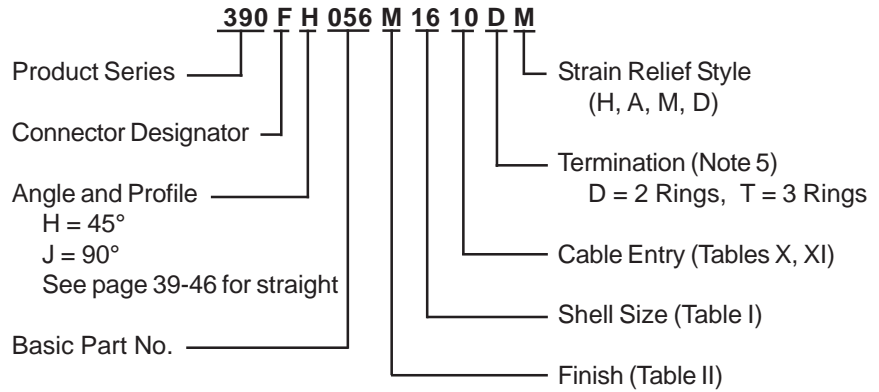
Dash No.	W Max	X Max	Y Max	Z Max	Cable Range	
					Min **	Max
03*	.437 (11.1)	.760 (19.3)	.843 (21.4)	.630 (16.0)	.156 (4.0)	.250 (6.4)
04*	.437 (11.1)	.760 (19.3)	.906 (23.0)	.755 (19.2)	.188 (4.8)	.312 (7.9)
06*	.500 (12.7)	.760 (19.3)	1.093 (27.8)	.942 (23.9)	.281 (7.1)	.438 (11.1)
08	.563 (14.3)	.760 (19.3)	1.187 (30.1)	1.067 (27.1)	.387 (9.8)	.562 (14.3)
10	.563 (14.3)	.760 (19.3)	1.281 (32.5)	1.192 (30.3)	.375 (9.5)	.625 (15.9)
12	.563 (14.3)	.760 (19.3)	1.500 (38.1)	1.380 (35.1)	.438 (11.1)	.750 (19.1)
16	.656 (16.7)	1.073 (27.3)	1.719 (43.7)	1.535 (39.0)	.625 (15.9)	.938 (23.8)
20	.656 (16.7)	1.323 (33.6)	2.062 (52.4)	1.848 (46.9)	.875 (22.2)	1.250 (31.8)
24	.656 (16.7)	1.323 (33.6)	2.312 (58.7)	2.255 (57.3)	1.000 (25.4)	1.375 (34.9)
28	1.188 (30.2)	1.572 (39.9)	2.719 (69.1)	2.505 (63.6)	1.250 (31.8)	1.625 (41.3)
32*	1.187 (30.1)	1.572 (39.9)	2.969 (75.4)	2.755 (70.0)	1.437 (36.5)	1.875 (47.6)
40*	1.125 (28.6)	1.572 (39.9)	3.531 (89.7)	3.255 (82.7)	1.875 (47.6)	2.375 (60.3)

\* Not available in Style M clamp.

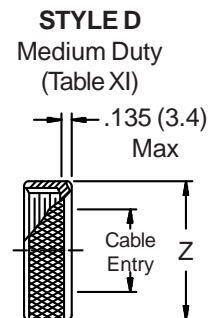
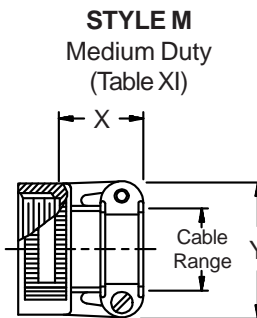
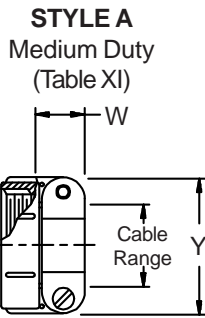
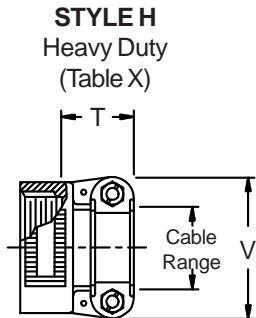
\*\* Not Applicable Style D



**CONNECTOR DESIGNATORS**  
**A-F-H-L-S**  
**ROTATABLE COUPLING**  
**TYPE E INDIVIDUAL AND/OR OVERALL SHIELD TERMINATION**



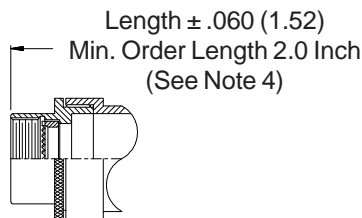
**STYLE 2**  
 (See Note 1)



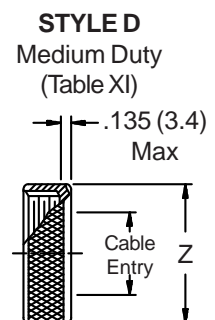
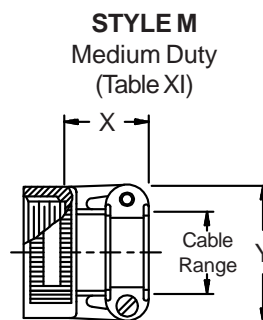
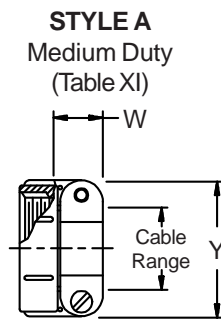
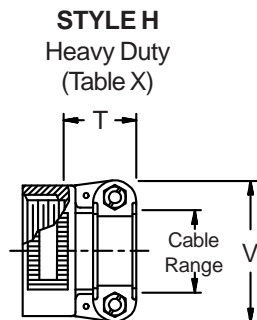
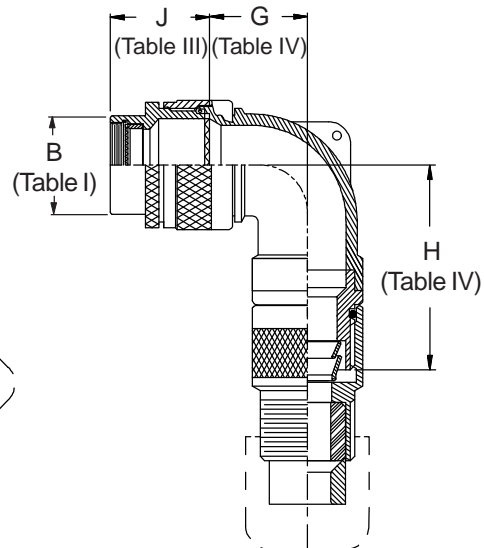
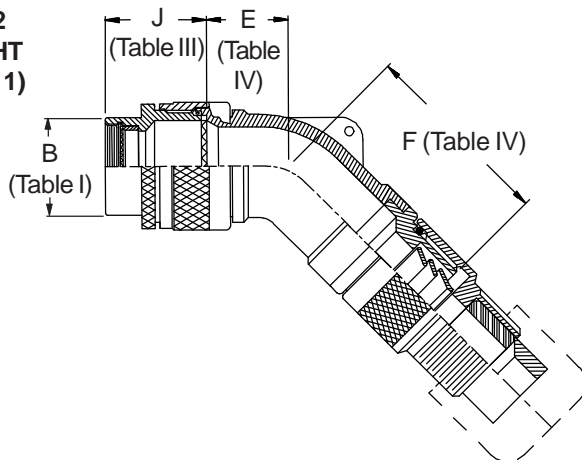
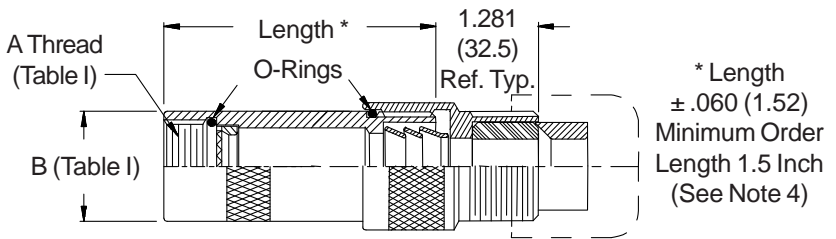
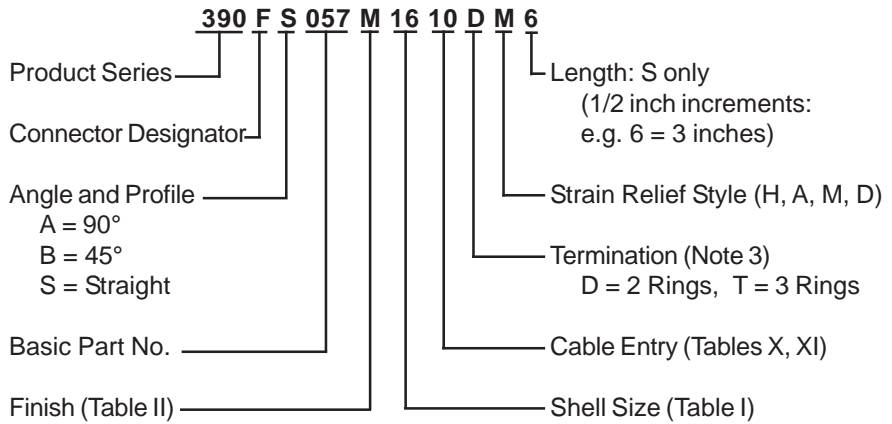


**CONNECTOR  
 DESIGNATORS**  
**A-B\*-C-D-E-F**  
**G-H-J-K-L-S**  
 \* Conn. Desig. B See Note 5  
**DIRECT COUPLING**

**TYPE E INDIVIDUAL  
 AND/OR OVERALL  
 SHIELD TERMINATION**



**STYLE 2  
 (STRAIGHT  
 See Note 1)**

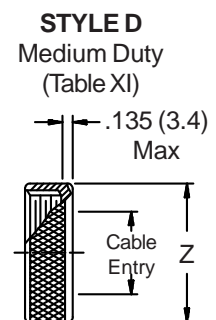
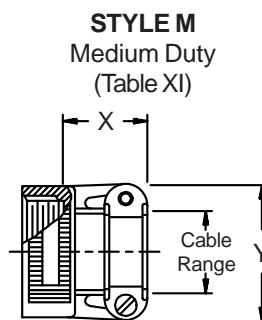
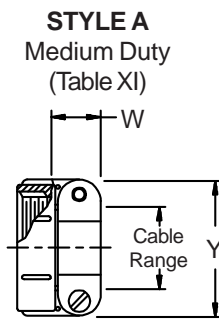
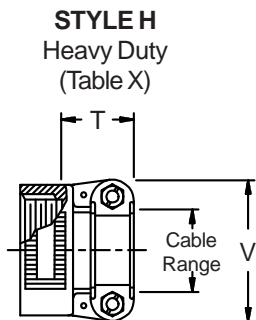
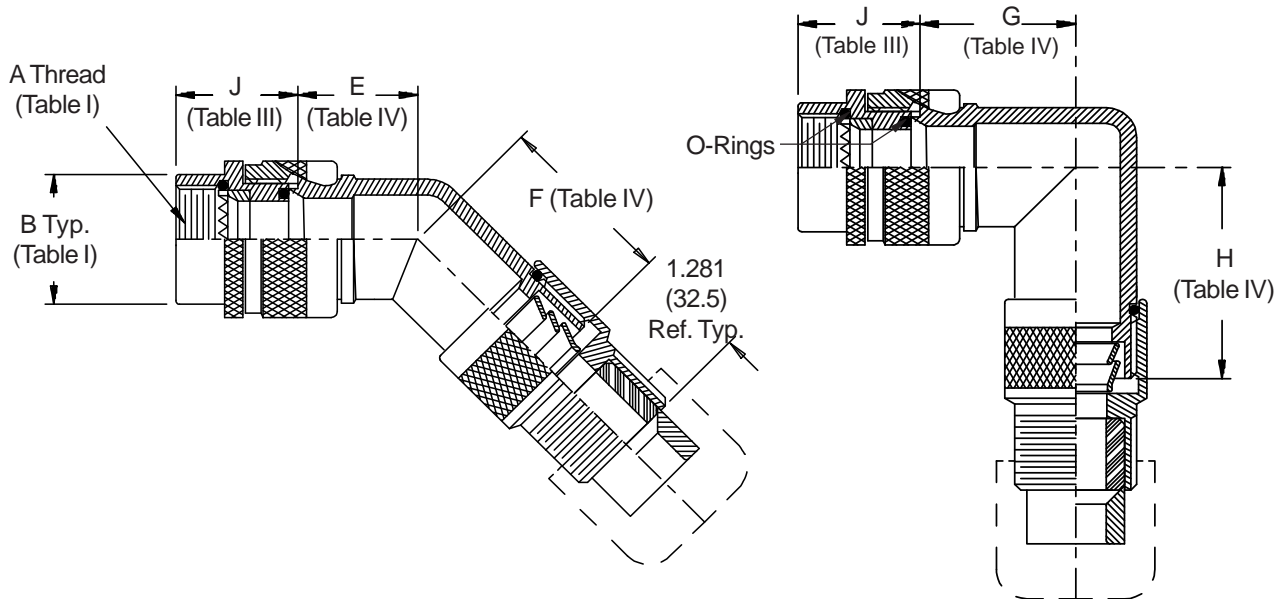
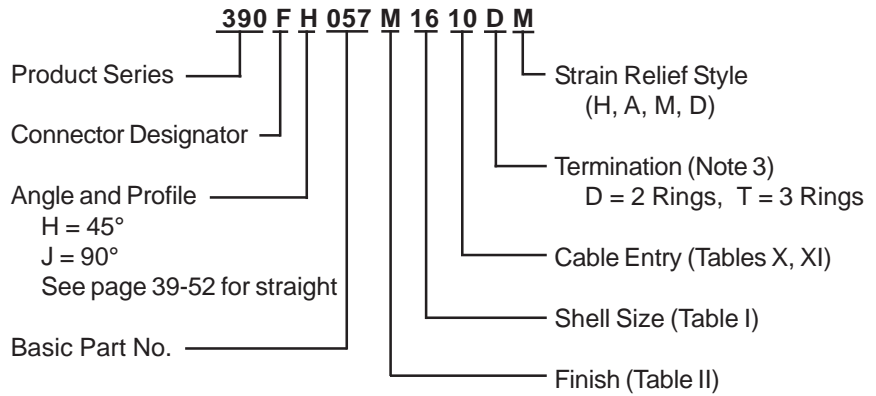




**CONNECTOR  
 DESIGNATORS**  
**A-B\*-C-D-E-F**  
**G-H-J-K-L-S**

\* Conn. Desig. B See Note 4  
**DIRECT COUPLING**

**TYPE E INDIVIDUAL  
 AND/OR OVERALL  
 SHIELD TERMINATION**





**Submersible EMI/RFI Cable Sealing Backshell  
with Strain Relief  
Type E - Direct Coupling - Standard Profile**



See inside back cover fold-out or pages 13 and 14 for Tables I and II.

TABLE III: FRONT ADAPTER			
Shell Size	J Max - Conn. Designator		
	A-E-F		C
	J-H-L-S	D-B-G-K	
08/09	1.180 (30.0)	1.440 (36.6)	
10/11	1.180 (30.0)	1.440 (36.6)	
12/13	1.180 (30.0)	1.440 (36.6)	1.735 (44.1)
14/15	1.180 (30.0)	1.440 (36.6)	1.915 (48.6)
16/17	1.380 (35.0)	1.560 (39.6)	1.915 (48.6)
18/19	1.380 (35.0)	1.560 (39.6)	1.915 (48.6)
20/21	1.380 (35.0)	1.560 (39.6)	1.915 (48.6)
22/23	1.380 (35.0)	1.560 (39.6)	1.915 (48.6)
24/25	1.380 (35.0)	1.560 (39.6)	1.915 (48.6)
28/29	1.610 (40.9)	1.560 (39.6)	1.915 (48.6)
32/33	1.610 (40.9)	1.750 (44.5)	1.915 (48.6)
36	1.610 (40.9)	1.750 (44.5)	1.915 (48.6)
40	1.610 (40.9)	2.190 (55.6)	1.915 (48.6)

TABLE IV: ELBOW DIMENSIONS								
Elbow Size	E		F		G		H	
	Max		Max		Max		Max	
03	.664	(16.9)	1.039	(26.4)	.810	(20.6)	1.179	(29.9)
04	.688	(17.5)	1.059	(26.9)	.870	(22.1)	1.239	(31.5)
06	.705	(17.9)	1.089	(27.7)	.920	(23.4)	1.309	(33.2)
08	.732	(18.6)	1.109	(28.7)	.980	(24.9)	1.369	(34.8)
10	.732	(18.6)	1.109	(28.7)	.980	(24.9)	1.369	(34.8)
12	.773	(19.6)	1.139	(28.9)	1.080	(27.4)	1.449	(36.8)
16	.823	(20.9)	1.209	(30.7)	1.200	(30.5)	1.599	(40.6)
20	1.041	(26.4)	1.379	(34.9)	1.480	(37.6)	1.839	(46.7)
24	1.092	(27.7)	1.419	(36.0)	1.610	(40.9)	1.929	(49.0)
28	1.138	(28.9)	1.469	(37.3)	1.720	(43.7)	2.039	(51.8)
32	1.184	(30.1)	1.509	(38.3)	1.830	(46.5)	2.149	(54.6)
40	1.287	(32.7)	1.609	(40.9)	2.080	(52.8)	2.399	(60.9)

TABLE X: CABLE ENTRY							
Dash No.	T Max	V Max	Cable Range				
			Min		Max		
04	.780 (19.8)	.957 (24.3)	.125 (3.2)	.312 (7.9)			
06	.780 (19.8)	1.145 (29.1)	.250 (6.4)	.437 (11.1)			
08	.780 (19.8)	1.332 (33.8)	.387 (9.8)	.562 (14.3)			
10	.780 (19.8)	1.332 (33.8)	.350 (8.9)	.625 (15.9)			
12	.811 (20.6)	1.551 (39.4)	.500 (12.7)	.750 (19.1)			
16	.905 (23.0)	1.770 (45.0)	.625 (15.9)	.937 (23.8)			
20	1.092 (27.7)	2.113 (53.7)	.875 (22.2)	1.250 (31.8)			
24	1.124 (28.5)	2.363 (60.0)	1.000 (25.4)	1.375 (34.9)			
28	1.399 (35.5)	2.770 (70.4)	1.250 (31.8)	1.625 (41.3)			
32	1.399 (35.5)	3.020 (76.7)	1.437 (36.5)	1.875 (47.6)			

1. Metric dimensions (mm) are indicated in parentheses.
2. Cable range is defined as the accommodations range for the wire bundle or cable. Dimensions shown are not intended for inspection criteria.
3. Designate Symbol T for 3 ring termination of individual and overall braid. Designate D for standard 2 ring termination of individual or overall braid.
4. When using Connector Designator B refer to pages 18 and 19 for part number development.

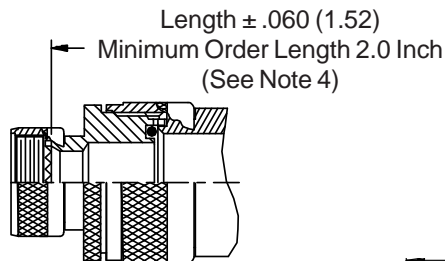
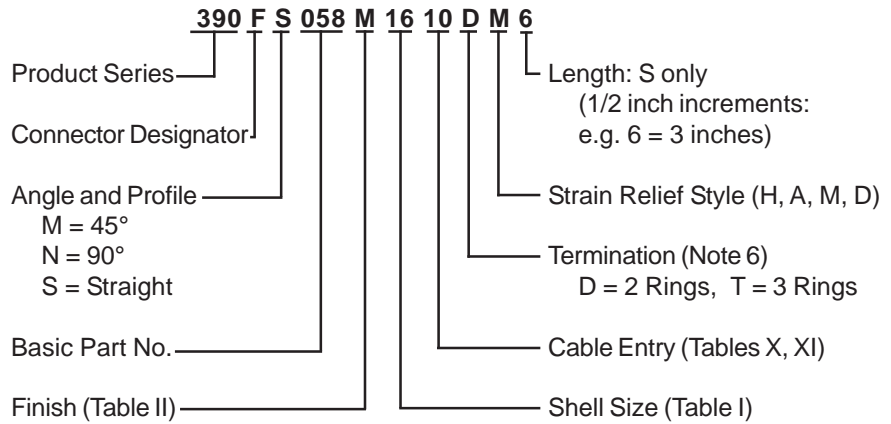
TABLE XI: CABLE ENTRY								
Dash No.	W Max	X Max	Y Max	Z Max	Cable Range			
					Min **		Max	
03*	.437 (11.1)	.760 (19.3)	.843 (21.4)	.630 (16.0)	.156 (4.0)	.250 (6.4)		
04*	.437 (11.1)	.760 (19.3)	.906 (23.0)	.755 (19.2)	.188 (4.8)	.312 (7.9)		
06*	.500 (12.7)	.760 (19.3)	1.093 (27.8)	.942 (23.9)	.281 (7.1)	.438 (11.1)		
08	.563 (14.3)	.760 (19.3)	1.187 (30.1)	1.067 (27.1)	.387 (9.8)	.562 (14.3)		
10	.563 (14.3)	.760 (19.3)	1.281 (32.5)	1.192 (30.3)	.375 (9.5)	.625 (15.9)		
12	.563 (14.3)	.760 (19.3)	1.500 (38.1)	1.380 (35.1)	.438 (11.1)	.750 (19.1)		
16	.656 (16.7)	1.073 (27.3)	1.719 (43.7)	1.535 (39.0)	.625 (15.9)	.938 (23.8)		
20	.656 (16.7)	1.323 (33.6)	2.062 (52.4)	1.848 (46.9)	.875 (22.2)	1.250 (31.8)		
24	.656 (16.7)	1.323 (33.6)	2.312 (58.7)	2.255 (57.3)	1.000 (25.4)	1.375 (34.9)		
28	1.188 (30.2)	1.572 (39.9)	2.719 (69.1)	2.505 (63.6)	1.250 (31.8)	1.625 (41.3)		
32*	1.187 (30.1)	1.572 (39.9)	2.969 (75.4)	2.755 (70.0)	1.437 (36.5)	1.875 (47.6)		
40*	1.125 (28.6)	1.572 (39.9)	3.531 (89.7)	3.255 (82.7)	1.875 (47.6)	2.375 (60.3)		

\* Not available in Style M clamp.      \*\* Not Applicable Style D

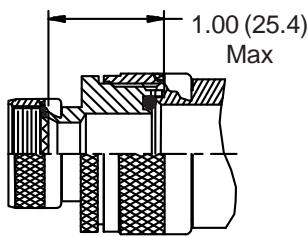


**CONNECTOR  
 DESIGNATORS  
 A-F-H-L-S  
 SELF-LOCKING  
 ROTATABLE  
 COUPLING**

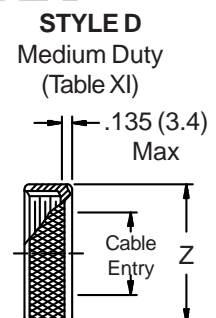
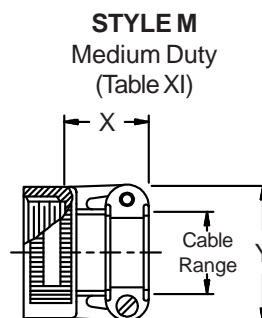
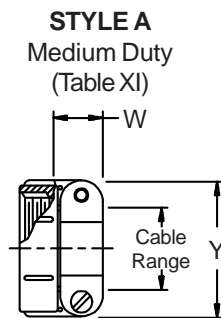
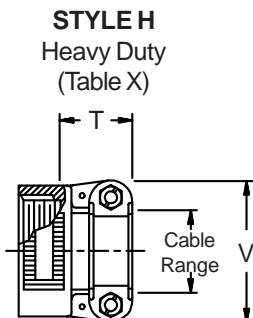
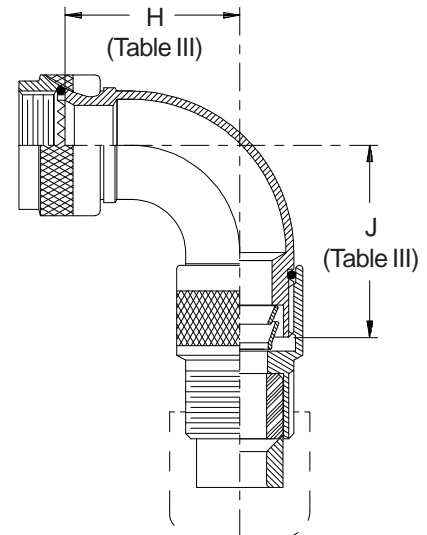
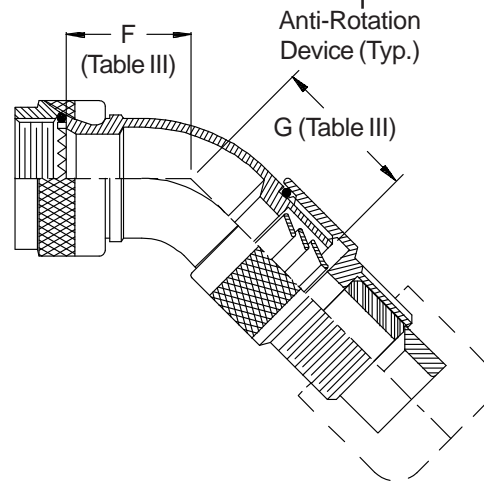
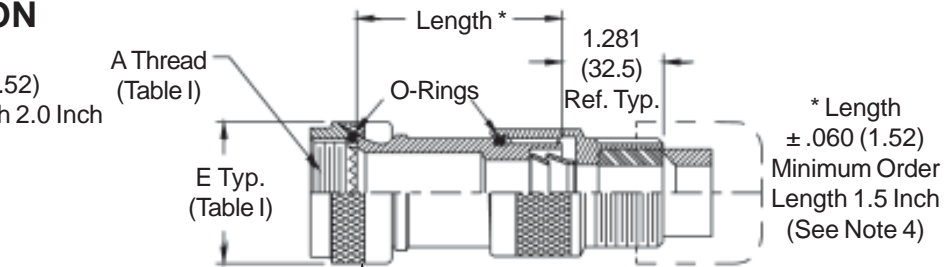
**TYPE E INDIVIDUAL  
 AND/OR OVERALL  
 SHIELD TERMINATION**



**STYLE 2  
 (STRAIGHT  
 See Note 1)**



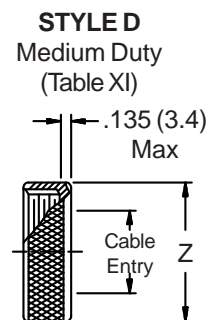
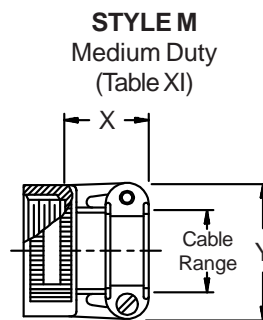
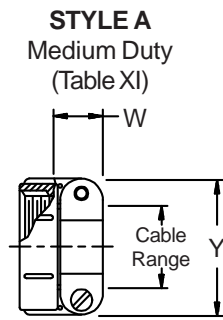
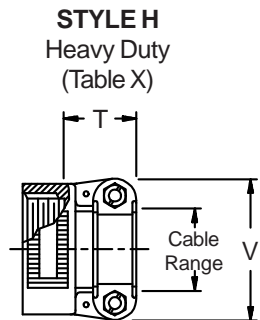
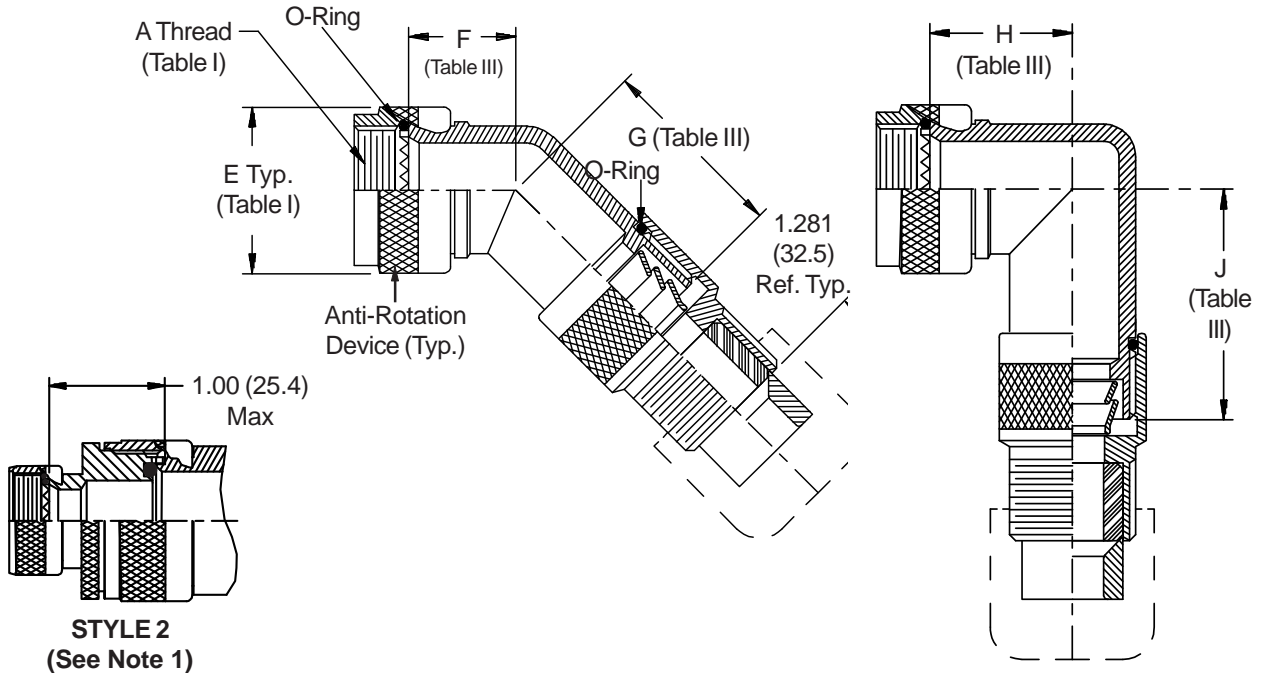
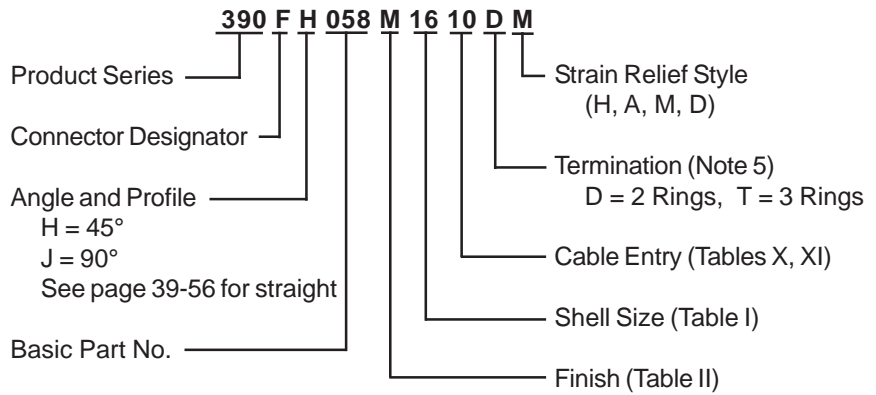
**STYLE 2  
 (45° & 90°  
 See Note 1)**





**CONNECTOR  
 DESIGNATORS  
 A-F-H-L-S  
 SELF-LOCKING  
 ROTATABLE  
 COUPLING**

**TYPE E INDIVIDUAL  
 AND/OR OVERALL  
 SHIELD TERMINATION**

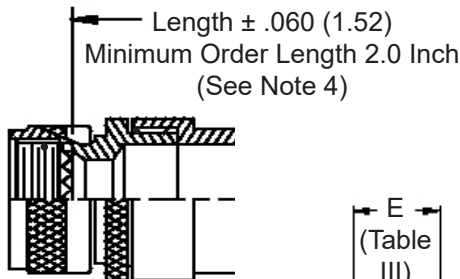
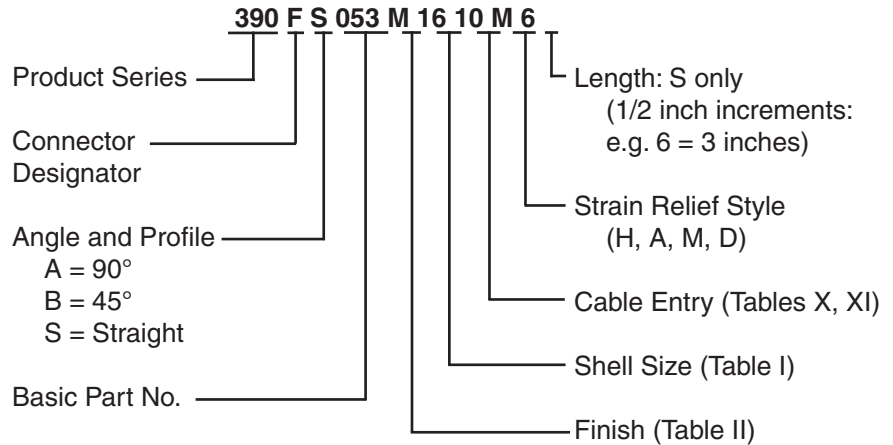




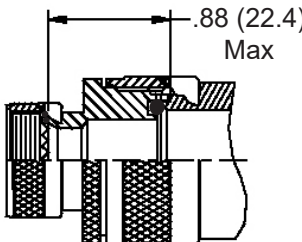
**CONNECTOR  
 DESIGNATORS**

**A-F-H-L-S**  
**ROTATABLE  
 COUPLING**

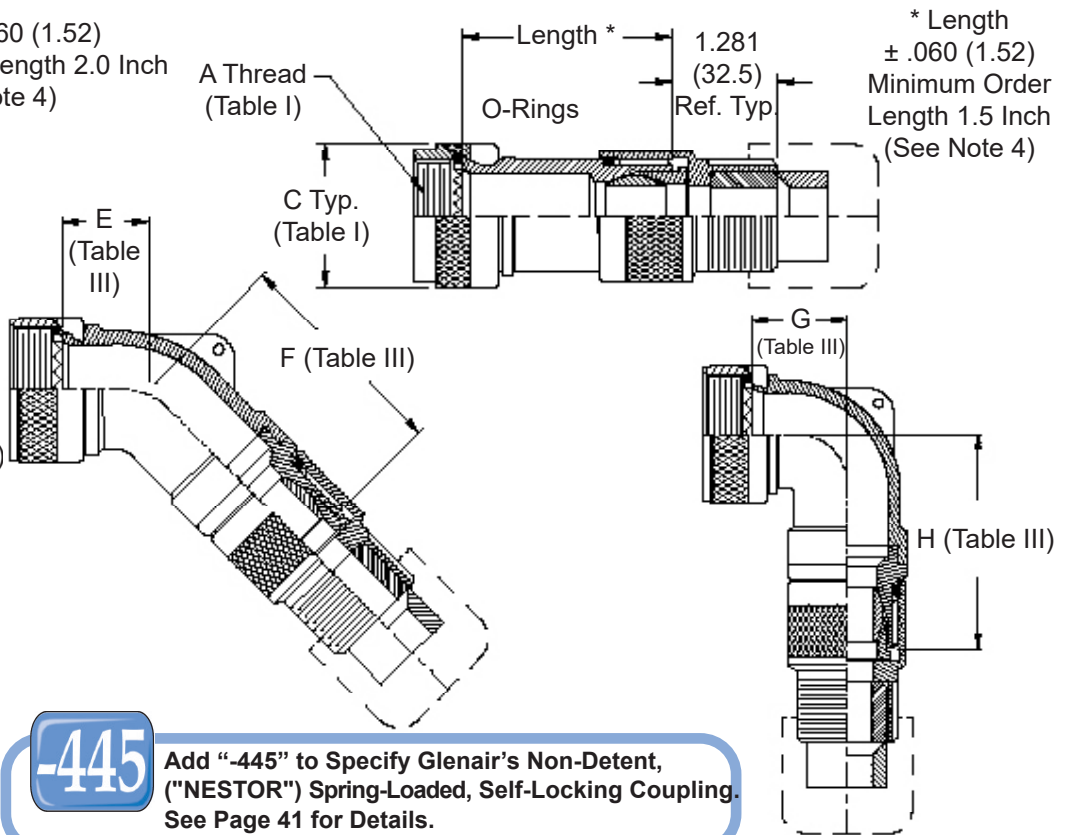
**TYPE F INDIVIDUAL  
 AND/OR OVERALL  
 SHIELD TERMINATION**



**STYLE 2  
 (STRAIGHT  
 See Note 1)**

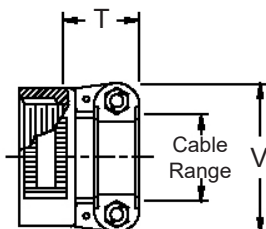


**STYLE 2  
 (45° & 90°  
 See Note 1)**

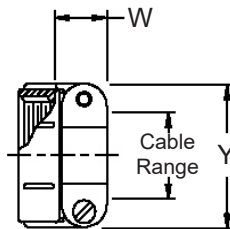


**-445** Add "-445" to Specify Glenair's Non-Detent, ("NESTOR") Spring-Loaded, Self-Locking Coupling. See Page 41 for Details.

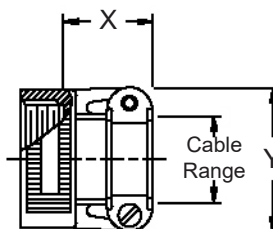
**STYLE H  
 Heavy Duty  
 (Table X)**



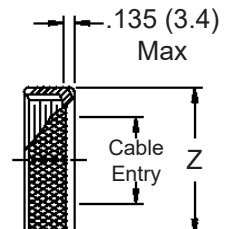
**STYLE A  
 Medium Duty  
 (Table XI)**



**STYLE M  
 Medium Duty  
 (Table XI)**



**STYLE D  
 Medium Duty  
 (Table XI)**





**390-053**  
**Submersible EMI/RFI Cable Sealing Backshell**  
with Strain Relief  
**Type F - Rotatable Coupling - Low Profile**



**TABLE III: ELBOW DIMENSIONS**

Shell Size		E		F		G		H	
Conn. Desig.		Max		Max		Max		Max	
A-F-L-S	H								
08	09	.457	(11.6)	1.760	(44.7)	.500	(12.7)	1.880	(47.8)
10	11	.520	(13.2)	1.920	(49.8)	.595	(15.1)	1.990	(50.6)
12	13	.582	(14.8)	1.990	(50.6)	.610	(15.5)	2.020	(51.3)
14	15	.645	(16.4)	2.144	(54.5)	.700	(17.8)	2.154	(54.7)
16	17	.738	(18.7)	2.254	(57.3)	.885	(22.5)	2.244	(57.0)
18	19	.926	(23.5)	2.444	(62.1)	.975	(24.8)	2.414	(61.3)
20	21	.926	(23.5)	2.444	(62.1)	.975	(24.8)	2.414	(61.3)
22	23	1.020	(25.9)	2.657	(67.5)	1.125	(28.6)	2.587	(65.7)
24	25	1.020	(25.9)	2.657	(67.5)	1.125	(28.6)	2.587	(65.7)
28		1.145	(29.1)	2.690	(68.3)	1.225	(31.1)	2.740	(69.6)

See inside back cover  
fold-out or pages 13 and  
14 for Tables I and II.

**TABLE X: CABLE ENTRY**

Dash No.	T Max	V Max	Cable Range	
			Min	Max
04	.780 (19.8)	.957 (24.3)	.125 (3.2)	.312 (7.9)
06	.780 (19.8)	1.145 (29.1)	.250 (6.4)	.437 (11.1)
08	.780 (19.8)	1.332 (33.8)	.387 (9.3)	.562 (14.3)
10	.780 (19.8)	1.332 (33.8)	.350 (8.9)	.625 (15.9)
12	.811 (20.6)	1.551 (39.4)	.500 (12.7)	.750 (19.1)
16	.905 (23.0)	1.770 (45.0)	.625 (15.9)	.937 (23.8)
20	1.092 (27.7)	2.113 (53.7)	.875 (22.2)	1.250 (31.8)
24	1.124 (28.5)	2.363 (60.0)	1.000 (25.4)	1.375 (34.9)
28	1.399 (35.5)	2.770 (70.4)	1.250 (31.8)	1.625 (41.3)
32	1.399 (35.5)	3.020 (76.7)	1.437 (36.5)	1.875 (47.6)

1. When maximum cable entry (page 21) is exceeded, Style 2 will be supplied. Dimensions E, F, G and H will not apply. Please consult factory.
2. Metric dimensions (mm) are indicated in parentheses.
3. Cable range is defined as the accommodations range for the wire bundle or cable. Dimensions shown are not intended for inspection criteria.
4. Consult factory for shorter lengths on straight backshells.
5. Interface O-Ring not supplied with connector designator A.

**TABLE XI: CABLE ENTRY**

Dash No.	W Max	X Max	Y Max	Z Max	Cable Range	
					Min **	Max
03*	.437 (11.1)	.760 (19.3)	.843 (21.4)	.630 (16.0)	.156 (4.0)	.250 (6.4)
04*	.437 (11.1)	.760 (19.3)	.906 (23.0)	.755 (19.2)	.188 (4.8)	.312 (7.9)
06*	.500 (12.7)	.760 (19.3)	1.093 (27.8)	.942 (23.9)	.281 (7.1)	.438 (11.1)
08	.563 (14.3)	.760 (19.3)	1.187 (30.1)	1.067 (27.1)	.387 (9.3)	.562 (14.3)
10	.563 (14.3)	.760 (19.3)	1.281 (32.5)	1.192 (30.3)	.375 (9.5)	.625 (15.9)
12	.563 (14.3)	.760 (19.3)	1.500 (38.1)	1.380 (35.1)	.438 (11.1)	.750 (19.1)
16	.656 (16.7)	1.073 (27.3)	1.719 (43.7)	1.535 (39.0)	.625 (15.9)	.938 (23.8)
20	.656 (16.7)	1.323 (33.6)	2.062 (52.4)	1.848 (46.9)	.875 (22.2)	1.250 (31.8)
24	.656 (16.7)	1.323 (33.6)	2.312 (58.7)	2.255 (57.3)	1.000 (25.4)	1.375 (34.9)
28	1.188 (30.2)	1.572 (39.9)	2.719 (69.1)	2.505 (63.6)	1.250 (31.8)	1.625 (41.3)
32*	1.187 (30.1)	1.572 (39.9)	2.969 (75.4)	2.755 (70.0)	1.437 (36.5)	1.875 (47.6)
40*	1.125 (28.6)	1.572 (39.9)	3.531 (89.7)	3.255 (82.7)	1.875 (47.6)	2.375 (60.3)

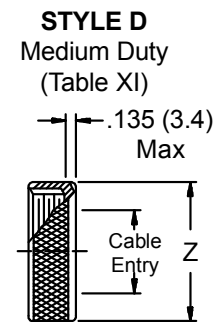
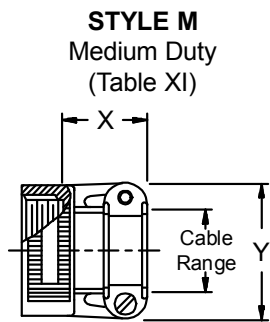
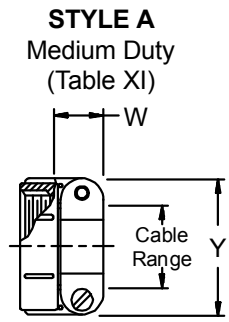
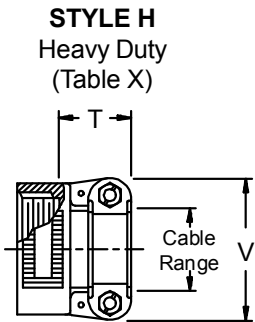
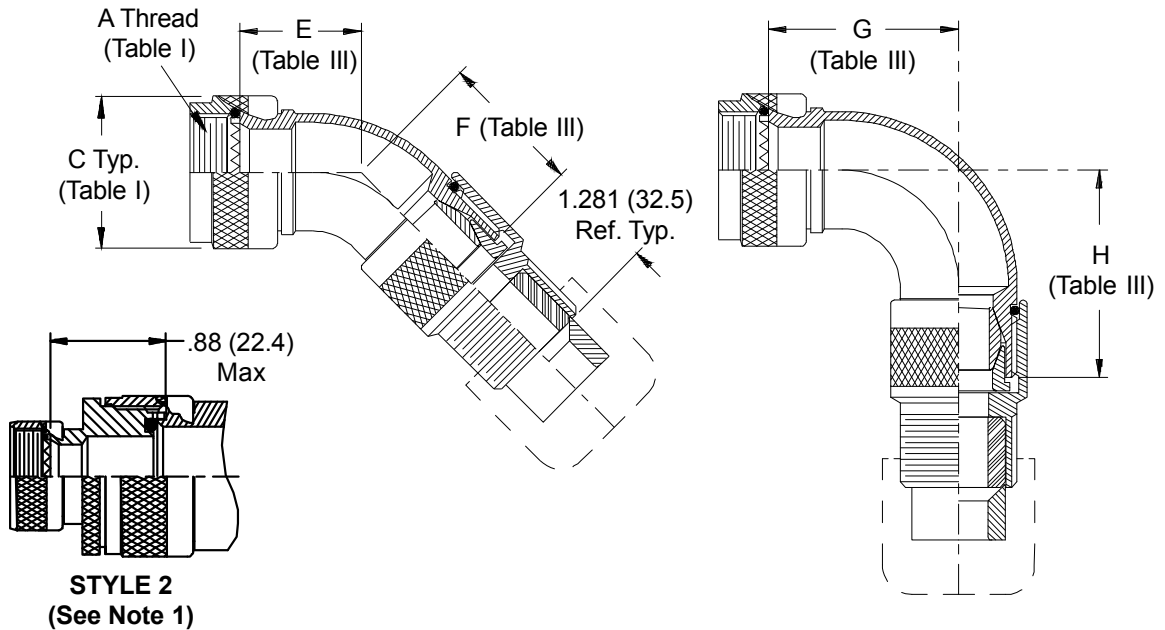
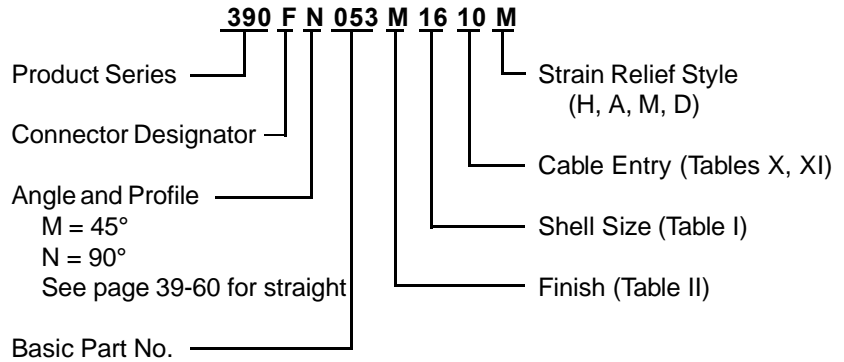
\* Not available in Style M clamp.

\*\* Not Applicable Style D



**CONNECTOR  
 DESIGNATORS  
 A-F-H-L-S  
 ROTATABLE  
 COUPLING**

**TYPE F INDIVIDUAL  
 AND/OR OVERALL  
 SHIELD TERMINATION**



**390-053**  
**Submersible EMI/RFI Cable Sealing Backshell**  
 with Strain Relief  
 Type F - Rotatable Coupling - Full Radius Profile



**TABLE III: ELBOW DIMENSIONS**

Shell Size		E		F		G		H	
Conn. Desig.	A-F-L-S H	Max		Max		Max		Max	
08	09	.812	(20.6)	1.095	(27.8)	1.125	(28.6)	1.287	(32.7)
10	11	.875	(22.2)	1.145	(29.1)	1.250	(31.8)	1.411	(35.8)
12	13	.938	(23.8)	1.195	(30.4)	1.375	(34.9)	1.537	(39.0)
14	15	1.000	(25.4)	1.245	(31.6)	1.500	(38.1)	1.761	(44.7)
16	17	1.062	(27.0)	1.300	(33.0)	1.625	(41.3)	1.787	(45.4)
18	19	1.094	(27.8)	1.350	(34.3)	1.750	(44.5)	1.911	(48.5)
20	21	1.156	(29.4)	1.400	(35.6)	1.875	(47.6)	2.037	(51.7)
22	23	1.188	(30.2)	1.455	(37.0)	2.000	(50.8)	2.161	(54.9)
24	25	1.250	(31.8)	1.505	(38.1)	2.125	(54.0)	2.287	(58.1)
28		1.344	(34.1)	1.594	(40.5)	2.375	(60.3)	2.594	(65.9)

See inside back cover  
 fold-out or pages 13 and  
 14 for Tables I and II.

**TABLE X: CABLE ENTRY**

Dash No.	T Max	V Max	Cable Range	
			Min	Max
04	.780 (19.8)	.957 (24.3)	.125 (3.2)	.312 (7.9)
06	.780 (19.8)	1.145 (29.1)	.250 (6.4)	.437 (11.1)
08	.780 (19.8)	1.332 (33.8)	.387 (9.3)	.562 (14.3)
10	.780 (19.8)	1.332 (33.8)	.350 (8.9)	.625 (15.9)
12	.811 (20.6)	1.551 (39.4)	.500 (12.7)	.750 (19.1)
16	.905 (23.0)	1.770 (45.0)	.625 (15.9)	.937 (23.8)
20	1.092 (27.7)	2.113 (53.7)	.875 (22.2)	1.250 (31.8)
24	1.124 (28.5)	2.363 (60.0)	1.000 (25.4)	1.375 (34.9)
28	1.399 (35.5)	2.770 (70.4)	1.250 (31.8)	1.625 (41.3)
32	1.399 (35.5)	3.020 (76.7)	1.437 (36.5)	1.875 (47.6)

1. When maximum cable entry (page 21) is exceeded, Style 2 will be supplied. Dimensions E, F, G and H will not apply. Please consult factory.
2. Metric dimensions (mm) are indicated in parentheses.
3. Cable range is defined as the accommodations range for the wire bundle or cable. Dimensions shown are not intended for inspection criteria.
4. Interface O-Ring not supplied with connector designator A.

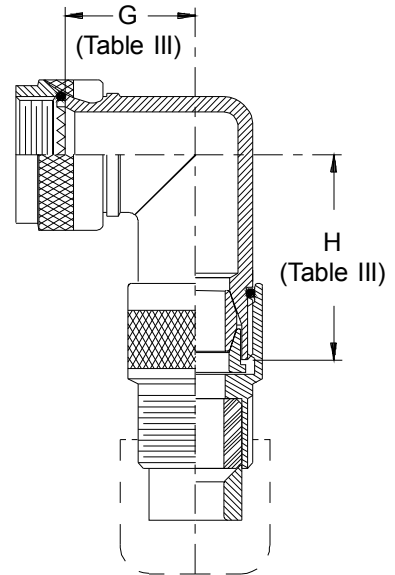
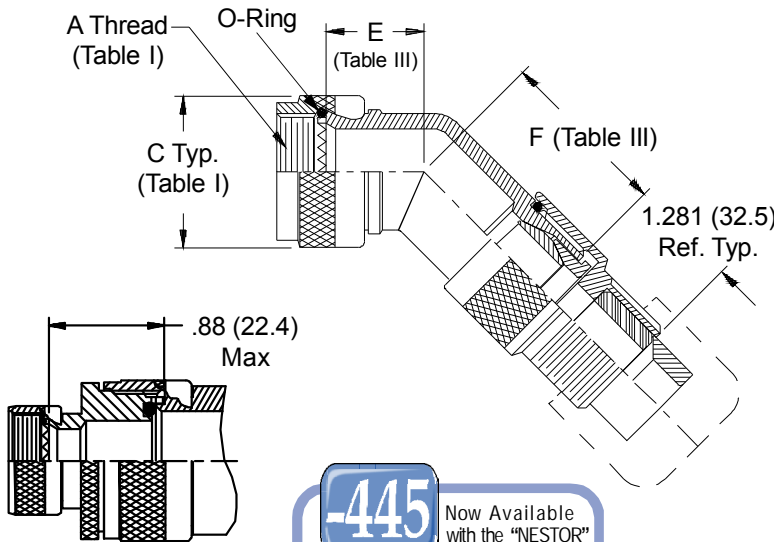
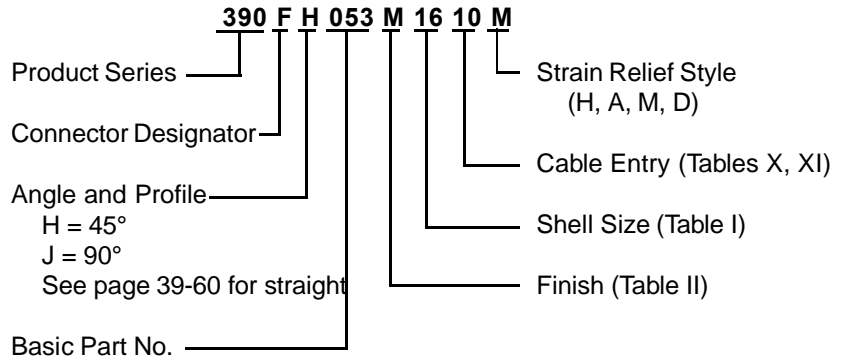
**TABLE XI: CABLE ENTRY**

Dash No.	W Max	X Max	Y Max	Z Max	Cable Range	
					Min	Max
03*	.437 (11.1)	.760 (19.3)	.843 (21.4)	.630 (16.0)	.156 (4.0)	.250 (6.4)
04*	.437 (11.1)	.760 (19.3)	.906 (23.0)	.755 (19.2)	.188 (4.8)	.312 (7.9)
06*	.500 (12.7)	.760 (19.3)	1.093 (27.8)	.942 (23.9)	.281 (7.1)	.438 (11.1)
08	.563 (14.3)	.760 (19.3)	1.187 (30.1)	1.067 (27.1)	.387 (9.3)	.562 (14.3)
10	.563 (14.3)	.760 (19.3)	1.281 (32.5)	1.192 (30.3)	.375 (9.5)	.625 (15.9)
12	.563 (14.3)	.760 (19.3)	1.500 (38.1)	1.380 (35.1)	.438 (11.1)	.750 (19.1)
16	.656 (16.7)	1.073 (27.3)	1.719 (43.7)	1.535 (39.0)	.625 (15.9)	.938 (23.8)
20	.656 (16.7)	1.323 (33.6)	2.062 (52.4)	1.848 (46.9)	.875 (22.2)	1.250 (31.8)
24	.656 (16.7)	1.323 (33.6)	2.312 (58.7)	2.255 (57.3)	1.000 (25.4)	1.375 (34.9)
28	1.188 (30.2)	1.572 (39.9)	2.719 (69.1)	2.505 (63.6)	1.250 (31.8)	1.625 (41.3)
32*	1.187 (30.1)	1.572 (39.9)	2.969 (75.4)	2.755 (70.0)	1.437 (36.5)	1.875 (47.6)
40*	1.125 (28.6)	1.572 (39.9)	3.531 (89.7)	3.255 (82.7)	1.875 (47.6)	2.375 (60.3)

\* Not available in Style M clamp.

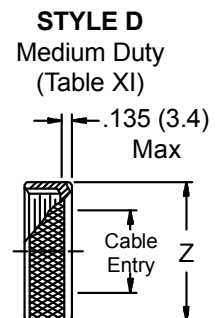
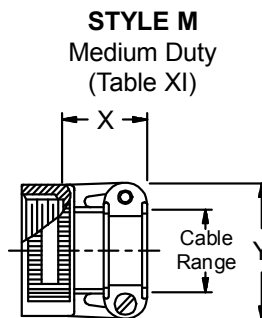
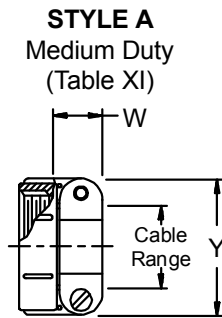
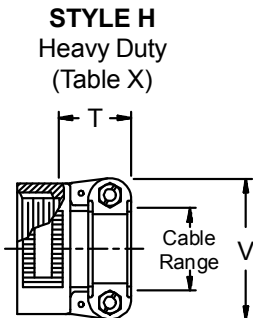
**CONNECTOR  
 DESIGNATORS  
 A-F-H-L-S  
 ROTATABLE  
 COUPLING**

**TYPE F INDIVIDUAL  
 AND/OR OVERALL  
 SHIELD TERMINATION**



**STYLE 2**  
 (See Note 1)

**-445** Now Available with the "NESTOR"  
 Add "-445" to Specify Glenair's Non-Detent, Spring-Loaded, Self-Locking Coupling. See Page 41 for Details.



**390-053**  
**Submersible EMI/RFI Cable Sealing Backshell**  
with Strain Relief  
**Type F - Rotatable Coupling - Standard Profile**



See inside back cover fold-out or pages 13 and 14 for Tables I and II.

TABLE III: ELBOW DIMENSIONS						
Shell Size		E Max	F Max	G Max	H Max	
Conn. Desig. A-F-L-S	H					
08	09	.639 (16.2)	1.031 (26.2)	.750 (19.1)	1.157 (29.4)	
10	11	.664 (16.9)	1.063 (27.0)	.810 (20.6)	1.217 (30.9)	
12	13	.688 (17.5)	1.094 (27.8)	.870 (22.1)	1.277 (32.4)	
14	15	.705 (17.9)	1.119 (28.4)	.920 (23.4)	1.347 (34.2)	
16	17	.732 (18.6)	1.147 (29.1)	.980 (24.9)	1.407 (35.7)	
18	19	.748 (19.0)	1.157 (29.4)	1.020 (25.9)	1.427 (36.2)	
20	21	.773 (19.6)	1.177 (29.9)	1.080 (27.4)	1.487 (37.8)	
22	23	.800 (20.3)	1.217 (30.9)	1.140 (29.0)	1.567 (39.8)	
24	25	.823 (20.9)	1.247 (31.7)	1.200 (30.5)	1.637 (41.6)	

TABLE X: CABLE ENTRY					
Dash No.	T Max	V Max	Cable Range		
			Min	Max	
04	.780 (19.8)	.957 (24.3)	.125 (3.2)	.312 (7.9)	
06	.780 (19.8)	1.145 (29.1)	.250 (6.4)	.437 (11.1)	
08	.780 (19.8)	1.332 (33.8)	.387 (9.3)	.562 (14.3)	
10	.780 (19.8)	1.332 (33.8)	.350 (8.9)	.625 (15.9)	
12	.811 (20.6)	1.551 (39.4)	.500 (12.7)	.750 (19.1)	
16	.905 (23.0)	1.770 (45.0)	.625 (15.9)	.937 (23.8)	
20	1.092 (27.7)	2.113 (53.7)	.875 (22.2)	1.250 (31.8)	
24	1.124 (28.5)	2.363 (60.0)	1.000 (25.4)	1.375 (34.9)	
28	1.399 (35.5)	2.770 (70.4)	1.250 (31.8)	1.625 (41.3)	
32	1.399 (35.5)	3.020 (76.7)	1.437 (36.5)	1.875 (47.6)	

1. When maximum cable entry (page 21) is exceeded, Style 2 will be supplied. Dimensions E, F, G and H will not apply. Please consult factory.
2. Metric dimensions (mm) are indicated in parentheses.
3. Cable range is defined as the accommodations range for the wire bundle or cable. Dimensions shown are not intended for inspection criteria.
4. Interface O-Ring not supplied with connector designator A.
5. -445 modification not available for MIL-DTL-38999 Series II.

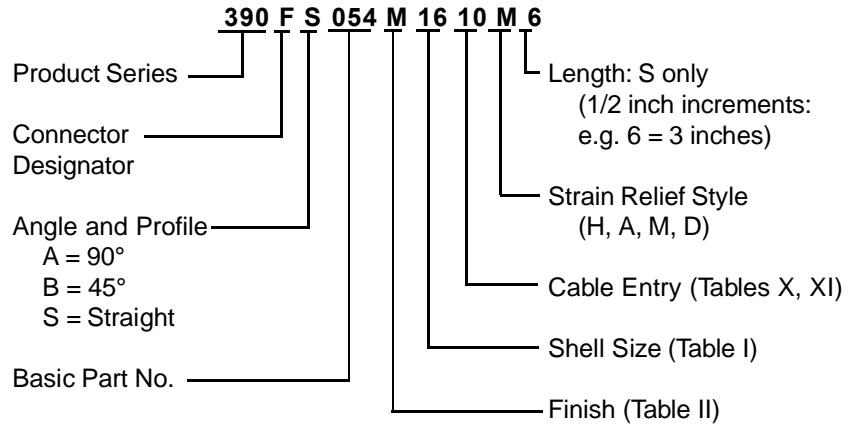
TABLE XI: CABLE ENTRY							
Dash No.	W Max	X Max	Y Max	Z Max	Cable Range		
					Min	Max	
03*	.437 (11.1)	.760 (19.3)	.843 (21.4)	.630 (16.0)	.156 (4.0)	.250 (6.4)	
04*	.437 (11.1)	.760 (19.3)	.906 (23.0)	.755 (19.2)	.188 (4.8)	.312 (7.9)	
06*	.500 (12.7)	.760 (19.3)	1.093 (27.8)	.942 (23.9)	.281 (7.1)	.438 (11.1)	
08	.563 (14.3)	.760 (19.3)	1.187 (30.1)	1.067 (27.1)	.387 (9.3)	.562 (14.3)	
10	.563 (14.3)	.760 (19.3)	1.281 (32.5)	1.192 (30.3)	.375 (9.5)	.625 (15.9)	
12	.563 (14.3)	.760 (19.3)	1.500 (38.1)	1.380 (35.1)	.438 (11.1)	.750 (19.1)	
16	.656 (16.7)	1.073 (27.3)	1.719 (43.7)	1.535 (39.0)	.625 (15.9)	.938 (23.8)	
20	.656 (16.7)	1.323 (33.6)	2.062 (52.4)	1.848 (46.9)	.875 (22.2)	1.250 (31.8)	
24	.656 (16.7)	1.323 (33.6)	2.312 (58.7)	2.255 (57.3)	1.000 (25.4)	1.375 (34.9)	
28	1.188 (30.2)	1.572 (39.9)	2.719 (69.1)	2.505 (63.6)	1.250 (31.8)	1.625 (41.3)	
32*	1.187 (30.1)	1.572 (39.9)	2.969 (75.4)	2.755 (70.0)	1.437 (36.5)	1.875 (47.6)	
40*	1.125 (28.6)	1.572 (39.9)	3.531 (89.7)	3.255 (82.7)	1.875 (47.6)	2.375 (60.3)	

\* Not available in Style M clamp.

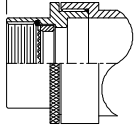
**CONNECTOR DESIGNATORS**  
**A-B\*-C-D-E-F**  
**G-H-J-K-L-S**

\* Conn. Desig. B See Note 4

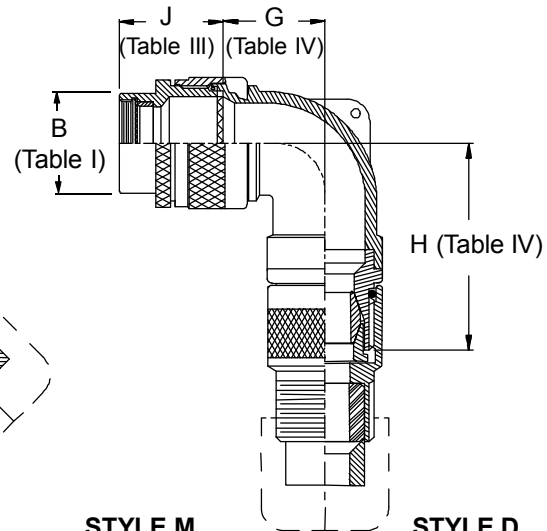
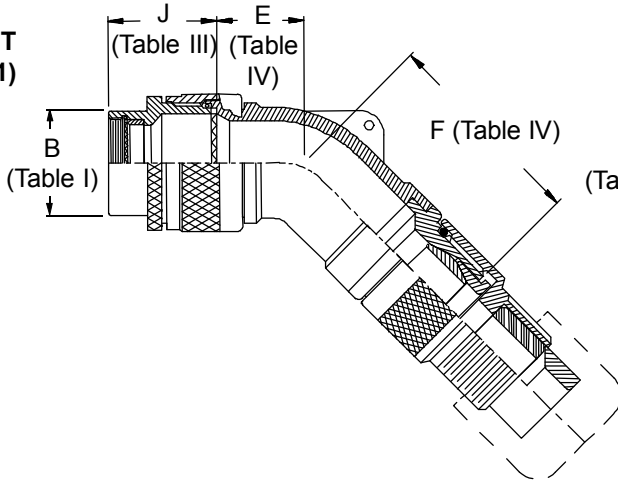
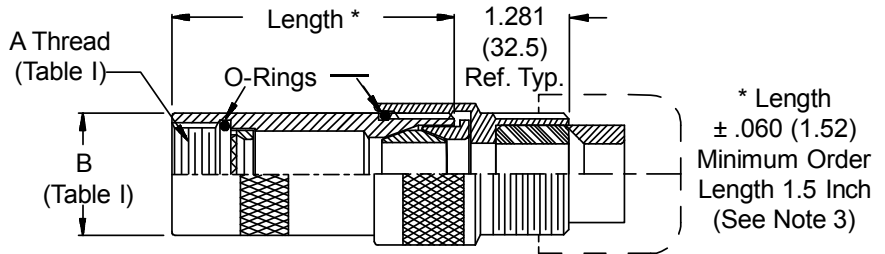
**DIRECT COUPLING**  
**TYPE F INDIVIDUAL**  
**AND/OR OVERALL**  
**SHIELD TERMINATION**



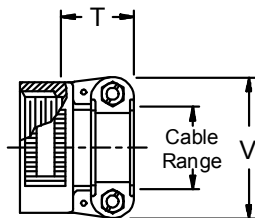
Length ± .060 (1.52)  
 Min. Order Length 2.0 Inch  
 (See Note 3)



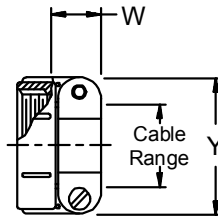
**STYLE 2**  
**(STRAIGHT)**  
 See Note 1)



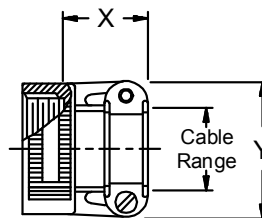
**STYLE H**  
 Heavy Duty  
 (Table X)



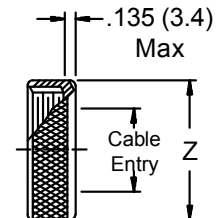
**STYLE A**  
 Medium Duty  
 (Table XI)



**STYLE M**  
 Medium Duty  
 (Table XI)



**STYLE D**  
 Medium Duty  
 (Table XI)



**390-054**  
**Submersible EMI/RFI Cable Sealing Backshell**  
with Strain Relief  
**Type F - Direct Coupling - Low Profile**



See inside back cover fold-out or pages 13 and 14 for Tables I and II.

Shell Size	J Max - Conn. Designator		
	A-E-F		
	J-H-L-S	D-B-G-K	C
08/09	1.180 (30.0)	1.250 (31.8)	
10/11	1.180 (30.0)	1.250 (31.8)	
12/13	1.180 (30.0)	1.250 (31.8)	1.735 (44.1)
14/15	1.180 (30.0)	1.250 (31.8)	1.915 (48.6)
16/17	1.380 (35.0)	1.560 (39.6)	1.915 (48.6)
18/19	1.380 (35.0)	1.560 (39.6)	1.915 (48.6)
20/21	1.380 (35.0)	1.560 (39.6)	1.915 (48.6)
22/23	1.380 (35.0)	1.560 (39.6)	1.915 (48.6)
24/25	1.380 (35.0)	1.560 (39.6)	1.915 (48.6)
28/29	1.610 (40.9)	1.560 (39.6)	1.915 (48.6)
32/33	1.610 (40.9)	1.750 (44.5)	1.915 (48.6)
36	1.610 (40.9)	1.750 (44.5)	1.915 (48.6)
40	1.610 (40.9)	2.190 (55.6)	1.915 (48.6)

Elbow Size	E	F	G	H
	Max	Max	Max	Max
03	.630 (16.0)	2.117 (53.8)	.636 (16.2)	2.067 (52.5)
04	.630 (16.0)	2.117 (53.8)	.636 (16.2)	2.067 (52.5)
06	.630 (16.0)	2.117 (53.8)	.710 (18.0)	2.187 (55.5)
08	.692 (17.6)	2.179 (55.3)	.731 (18.6)	2.207 (39.1)
10	.755 (19.2)	2.862 (72.7)	.825 (21.0)	2.867 (39.6)
12	.848 (21.5)	2.972 (75.5)	.988 (25.1)	2.957 (41.4)
16	1.036 (26.3)	3.159 (80.2)	1.087 (27.6)	3.132 (48.0)
20	1.130 (28.7)	3.368 (85.5)	1.325 (33.7)	3.303 (50.8)
24	1.255 (31.9)	3.408 (86.6)	1.337 (34.0)	3.453 (50.8)
28	1.317 (33.5)	3.553 (90.2)	1.827 (46.4)	3.703 (55.1)
32	1.348 (34.2)	3.646 (92.6)	2.027 (51.5)	3.753 (61.5)

Dash No.	T	V	Cable Range	
	Max	Max	Min	Max
	04	.780 (19.8)	.957 (24.3)	.125 (3.2)
06	.780 (19.8)	1.145 (29.1)	.250 (6.4)	.437 (11.1)
08	.780 (19.8)	1.332 (33.8)	.387 (9.3)	.562 (14.3)
10	.780 (19.8)	1.332 (33.8)	.350 (8.9)	.625 (15.9)
12	.811 (20.6)	1.551 (39.4)	.500 (12.7)	.750 (19.1)
16	.905 (23.0)	1.770 (45.0)	.625 (15.9)	.937 (23.8)
20	1.092 (27.7)	2.113 (53.7)	.875 (22.2)	1.250 (31.8)
24	1.124 (28.5)	2.363 (60.0)	1.000 (25.4)	1.375 (34.9)
28	1.399 (35.5)	2.770 (70.4)	1.250 (31.8)	1.625 (41.3)
32	1.399 (35.5)	3.020 (76.7)	1.437 (36.5)	1.875 (47.6)

1. Metric dimensions (mm) are indicated in parentheses.
2. Cable range is defined as the accommodations range for the wire bundle or cable. Dimensions shown are not intended for inspection criteria.
3. Consult factory for shorter lengths on straight backshells.
4. When using Connector Designator B refer to pages 18 and 19 for part number development.

Dash No.	W	X	Y	Z	Cable Range	
	Max	Max	Max	Max	Min	Max
	03*	.437 (11.1)	.760 (19.3)	.843 (21.4)	.630 (16.0)	.156 (4.0)
04*	.437 (11.1)	.760 (19.3)	.906 (23.0)	.755 (19.2)	.188 (4.8)	.312 (7.9)
06*	.500 (12.7)	.760 (19.3)	1.093 (27.8)	.942 (23.9)	.281 (7.1)	.438 (11.1)
08	.563 (14.3)	.760 (19.3)	1.187 (30.1)	1.067 (27.1)	.387 (9.3)	.562 (14.3)
10	.563 (14.3)	.760 (19.3)	1.281 (32.5)	1.192 (30.3)	.375 (9.5)	.625 (15.9)
12	.563 (14.3)	.760 (19.3)	1.500 (38.1)	1.380 (35.1)	.438 (11.1)	.750 (19.1)
16	.656 (16.7)	1.073 (27.3)	1.719 (43.7)	1.535 (39.0)	.625 (15.9)	.938 (23.8)
20	.656 (16.7)	1.323 (33.6)	2.062 (52.4)	1.848 (46.9)	.875 (22.2)	1.250 (31.8)
24	.656 (16.7)	1.323 (33.6)	2.312 (58.7)	2.255 (57.3)	1.000 (25.4)	1.375 (34.9)
28	1.188 (30.2)	1.572 (39.9)	2.719 (69.1)	2.505 (63.6)	1.250 (31.8)	1.625 (41.3)
32*	1.187 (30.1)	1.572 (39.9)	2.969 (75.4)	2.755 (70.0)	1.437 (36.5)	1.875 (47.6)
40*	1.125 (28.6)	1.572 (39.9)	3.531 (89.7)	3.255 (82.7)	1.875 (47.6)	2.375 (60.3)

\* Not available in Style M clamp.

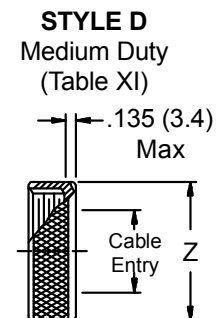
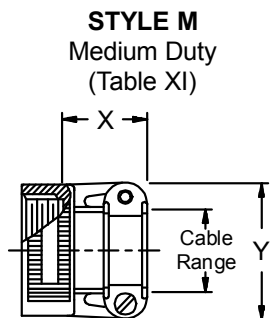
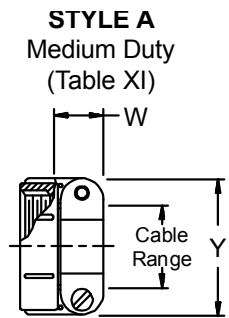
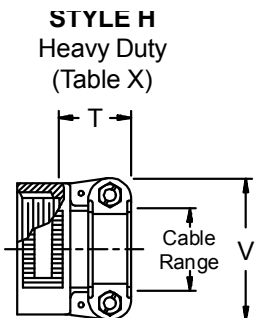
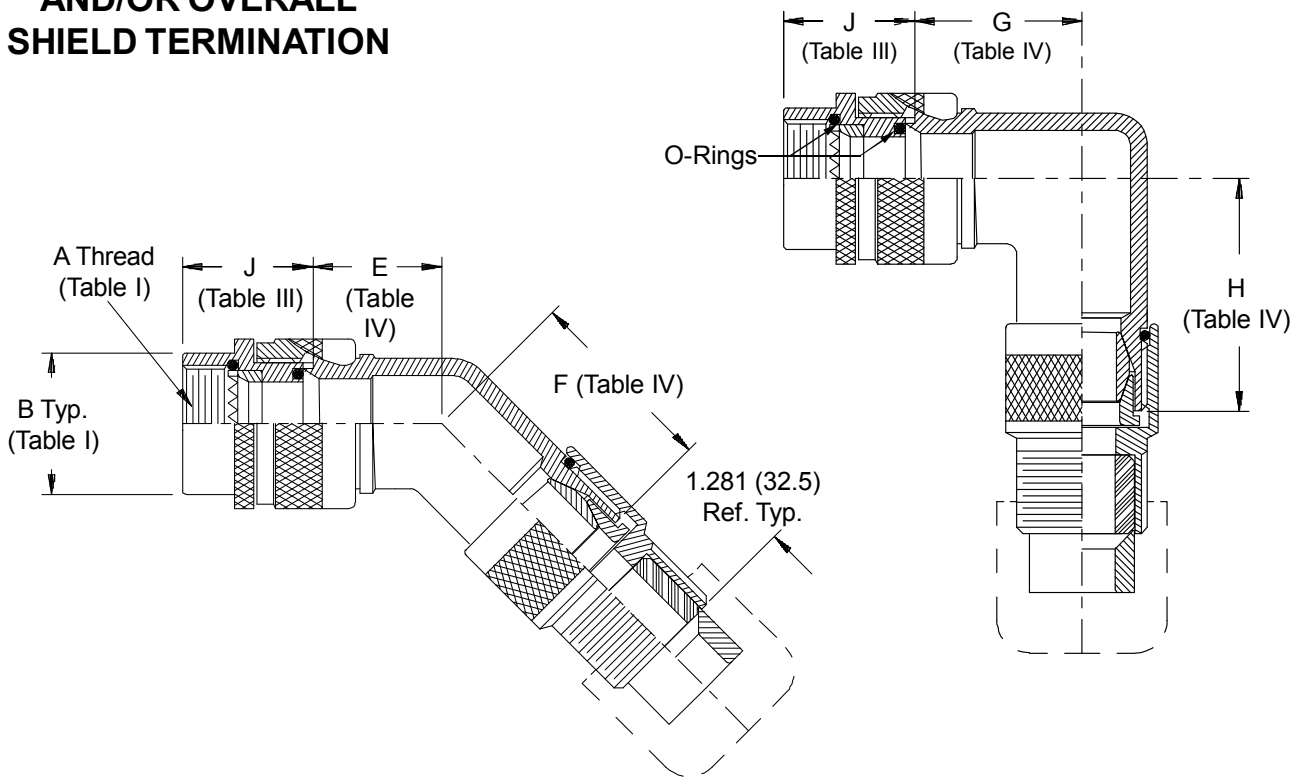
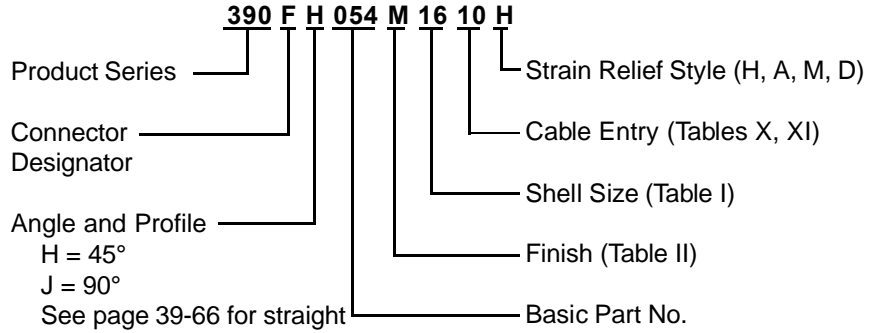


**CONNECTOR  
 DESIGNATORS**

**A-B\*-C-D-E-F**  
**G-H-J-K-L-S**

\* Conn. Desig. B See Note 3  
**DIRECT COUPLING**

**TYPE F INDIVIDUAL  
 AND/OR OVERALL  
 SHIELD TERMINATION**



**390-054**  
**Submersible EMI/RFI Cable Sealing Backshell**  
with Strain Relief  
**Type F - Direct Coupling - Standard Profile**



See inside back cover fold-out or pages 13 and 14 for Tables I and II.

TABLE III: FRONT ADAPTER			
Shell Size	J Max - Conn. Designator		
	A-E-F J-H-L-S	D-B-G-K	C
08/09	1.180 (30.0)	1.250 (31.8)	
10/11	1.180 (30.0)	1.250 (31.8)	
12/13	1.180 (30.0)	1.250 (31.8)	1.735 (44.1)
14/15	1.180 (30.0)	1.250 (31.8)	1.915 (48.6)
16/17	1.380 (35.0)	1.560 (39.6)	1.915 (48.6)
18/19	1.380 (35.0)	1.560 (39.6)	1.915 (48.6)
20/21	1.380 (35.0)	1.560 (39.6)	1.915 (48.6)
22/23	1.380 (35.0)	1.560 (39.6)	1.915 (48.6)
24/25	1.380 (35.0)	1.560 (39.6)	1.915 (48.6)
28/29	1.610 (40.9)	1.560 (39.6)	1.915 (48.6)
32/33	1.610 (40.9)	1.750 (44.5)	1.915 (48.6)
36	1.610 (40.9)	1.750 (44.5)	1.915 (48.6)
40	1.610 (40.9)	2.190 (55.6)	1.915 (48.6)

TABLE IV: ELBOW DIMENSIONS								
Elbow Size	E		F		G		H	
	Max		Max		Max		Max	
03	.664	(16.9)	1.039	(26.4)	.810	(20.6)	1.179	(29.9)
04	.688	(17.5)	1.059	(26.9)	.870	(22.1)	1.239	(31.5)
06	.705	(17.9)	1.089	(27.7)	.920	(23.4)	1.309	(33.2)
08	.732	(18.6)	1.109	(28.7)	.980	(24.9)	1.369	(34.8)
10	.732	(18.6)	1.109	(28.7)	.980	(24.9)	1.369	(34.8)
12	.773	(19.6)	1.139	(28.9)	1.080	(27.4)	1.449	(36.8)
16	.823	(20.9)	1.209	(30.7)	1.200	(30.5)	1.599	(40.6)
20	1.041	(26.4)	1.379	(34.9)	1.480	(37.6)	1.839	(46.7)
24	1.092	(27.7)	1.419	(36.0)	1.610	(40.9)	1.929	(49.0)
28	1.138	(28.9)	1.469	(37.3)	1.720	(43.7)	2.039	(51.8)
32	1.184	(30.1)	1.509	(38.3)	1.830	(46.5)	2.149	(54.6)
40	1.287	(32.7)	1.609	(40.9)	2.080	(52.8)	2.399	(60.9)

TABLE X: CABLE ENTRY						
Dash No.	T	V	Cable Range			
	Max	Max	Min	Max	Min	Max
04	.780 (19.8)	.957 (24.3)	.125 (3.2)	.312 (7.9)		
06	.780 (19.8)	1.145 (29.1)	.250 (6.4)	.437 (11.1)		
08	.780 (19.8)	1.332 (33.8)	.387 (9.3)	.562 (14.3)		
10	.780 (19.8)	1.332 (33.8)	.350 (8.9)	.625 (15.9)		
12	.811 (20.6)	1.551 (39.4)	.500 (12.7)	.750 (19.1)		
16	.905 (23.0)	1.770 (45.0)	.625 (15.9)	.937 (23.8)		
20	1.092 (27.7)	2.113 (53.7)	.875 (22.2)	1.250 (31.8)		
24	1.124 (28.5)	2.363 (60.0)	1.000 (25.4)	1.375 (34.9)		
28	1.399 (35.5)	2.770 (70.4)	1.250 (31.8)	1.625 (41.3)		
32	1.399 (35.5)	3.020 (76.7)	1.437 (36.5)	1.875 (47.6)		

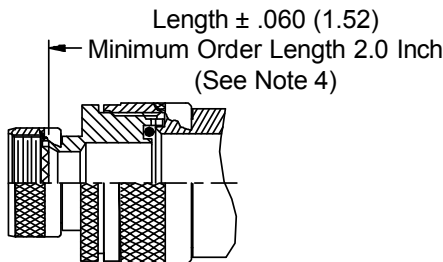
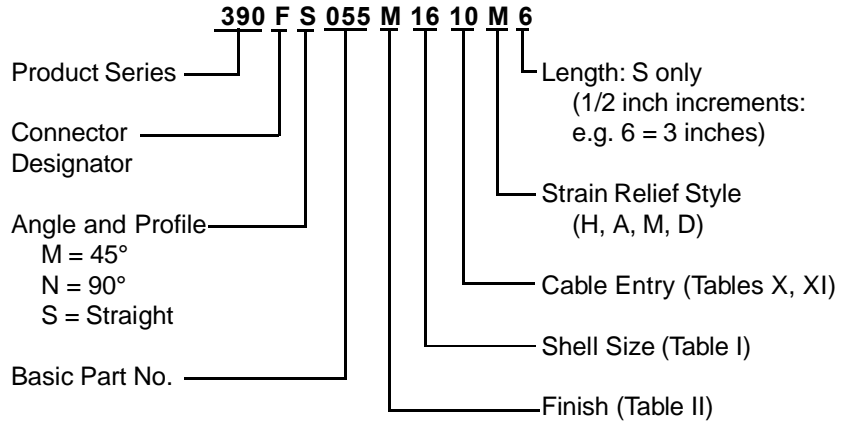
See inside back cover  
fold-out or pages 13 and  
14 for Tables I and II.

1. Metric dimensions (mm) are indicated in parentheses.
2. Cable range is defined as the accommodations range for the wire bundle or cable. Dimensions shown are not intended for inspection criteria.
3. When using Connector Designator B refer to pages 18 and 19 for part number development.

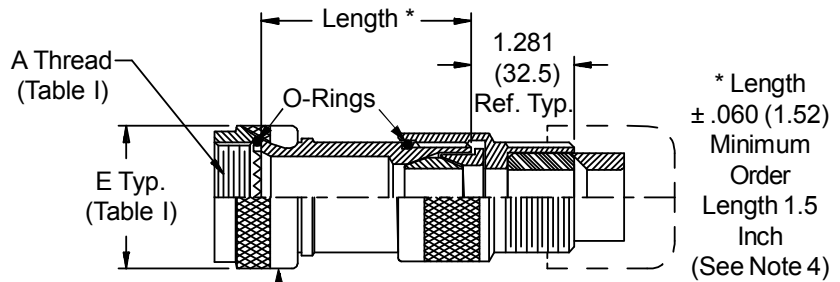
TABLE XI: CABLE ENTRY								
Dash No.	W	X	Y	Z	Cable Range			
	Max	Max	Max	Max	Min	Max	Min	Max
03*	.437 (11.1)	.760 (19.3)	.843 (21.4)	.630 (16.0)	.156 (4.0)	.250 (6.4)		
04*	.437 (11.1)	.760 (19.3)	.906 (23.0)	.755 (19.2)	.188 (4.8)	.312 (7.9)		
06*	.500 (12.7)	.760 (19.3)	1.093 (27.8)	.942 (23.9)	.281 (7.1)	.438 (11.1)		
08	.563 (14.3)	.760 (19.3)	1.187 (30.1)	1.067 (27.1)	.387 (9.3)	.562 (14.3)		
10	.563 (14.3)	.760 (19.3)	1.281 (32.5)	1.192 (30.3)	.375 (9.5)	.625 (15.9)		
12	.563 (14.3)	.760 (19.3)	1.500 (38.1)	1.380 (35.1)	.438 (11.1)	.750 (19.1)		
16	.656 (16.7)	1.073 (27.3)	1.719 (43.7)	1.535 (39.0)	.625 (15.9)	.938 (23.8)		
20	.656 (16.7)	1.323 (33.6)	2.062 (52.4)	1.848 (46.9)	.875 (22.2)	1.250 (31.8)		
24	.656 (16.7)	1.323 (33.6)	2.312 (58.7)	2.255 (57.3)	1.000 (25.4)	1.375 (34.9)		
28	1.188 (30.2)	1.572 (39.9)	2.719 (69.1)	2.505 (63.6)	1.250 (31.8)	1.625 (41.3)		
32*	1.187 (30.1)	1.572 (39.9)	2.969 (75.4)	2.755 (70.0)	1.437 (36.5)	1.875 (47.6)		
40*	1.125 (28.6)	1.572 (39.9)	3.531 (89.7)	3.255 (82.7)	1.875 (47.6)	2.375 (60.3)		

\* Not available in Style M clamp.

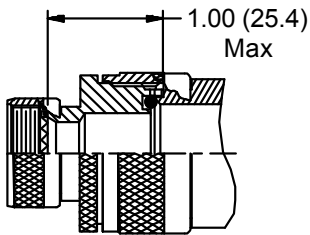
**CONNECTOR  
 DESIGNATORS  
 A-F-H-L-S  
 SELF-LOCKING  
 ROTATABLE  
 COUPLING  
 TYPE F INDIVIDUAL  
 AND/OR OVERALL  
 SHIELD TERMINATION**



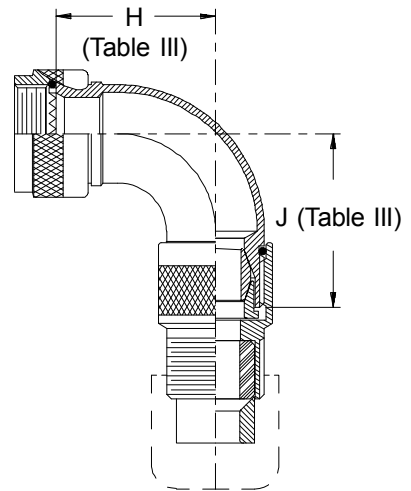
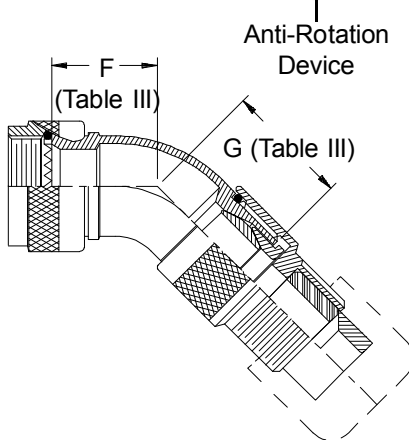
**STYLE 2  
 (STRAIGHT  
 See Note 1)**



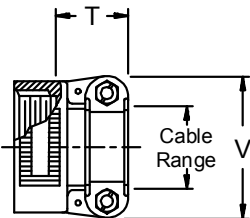
Anti-Rotation Device



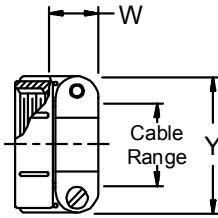
**STYLE 2  
 (45° & 90°  
 See Note 1)**



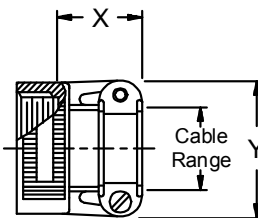
**STYLE H  
 Heavy Duty  
 (Table X)**



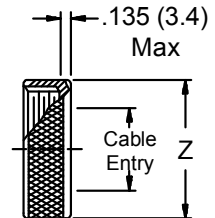
**STYLE A  
 Medium Duty  
 (Table XI)**



**STYLE M  
 Medium Duty  
 (Table XI)**



**STYLE D  
 Medium Duty  
 (Table XI)**



**390-055**  
**Submersible EMI/RFI Cable Sealing Backshell**  
 with Strain Relief  
 Type F - Self-Locking Rotatable Coupling - Full Radius Profile



**TABLE III: ELBOW DIMENSIONS**

Shell Size		F	G	H	J
Conn. Desig.	A-F-L-S H	Max	Max	Max	Max
08		.968 (24.6)	1.095 (27.8)	1.281 (32.5)	1.287 (32.7)
10	11	1.031 (26.2)	1.145 (29.1)	1.406 (35.7)	1.411 (35.8)
12		1.094 (27.8)	1.195 (30.4)	1.531 (38.9)	1.537 (39.0)
14	15	1.156 (29.4)	1.245 (31.6)	1.656 (42.1)	1.761 (44.7)
16		1.218 (30.9)	1.300 (33.0)	1.781 (45.2)	1.787 (45.4)
18	19	1.250 (31.8)	1.350 (34.3)	1.906 (48.4)	1.911 (48.5)
20		1.312 (33.3)	1.400 (35.6)	2.031 (51.6)	2.037 (51.7)
22	23	1.344 (34.1)	1.455 (37.0)	2.156 (54.8)	2.161 (54.9)
24		1.406 (35.7)	1.505 (38.1)	2.281 (57.9)	2.287 (58.1)
28		1.594 (40.5)	1.594 (10.5)	2.594 (65.9)	2.594 (65.9)

See inside back cover fold-out or pages 13 and 14 for Tables I and II.

**TABLE X: CABLE ENTRY**

Dash No.	T Max	V Max	Cable Range	
			Min	Max
04	.780 (19.8)	.957 (24.3)	.125 (3.2)	.312 (7.9)
06	.780 (19.8)	1.145 (29.1)	.250 (6.4)	.437 (11.1)
08	.780 (19.8)	1.332 (33.8)	.387 (9.3)	.562 (14.3)
10	.780 (19.8)	1.332 (33.8)	.350 (8.9)	.625 (15.9)
12	.811 (20.6)	1.551 (39.4)	.500 (12.7)	.750 (19.1)
16	.905 (23.0)	1.770 (45.0)	.625 (15.9)	.937 (23.8)
20	1.092 (27.7)	2.113 (53.7)	.875 (22.2)	1.250 (31.8)
24	1.124 (28.5)	2.363 (60.0)	1.000 (25.4)	1.375 (34.9)
28	1.399 (35.5)	2.770 (70.4)	1.250 (31.8)	1.625 (41.3)
32	1.399 (35.5)	3.020 (76.7)	1.437 (36.5)	1.875 (47.6)

- When maximum cable entry (page 21) is exceeded, Style 2 will be supplied. Dimensions F, G, H and J will not apply. Please consult factory.
- Metric dimensions (mm) are indicated in parentheses.
- Cable range is defined as the accommodations range for the wire bundle or cable. Dimensions shown are not intended for inspection criteria.
- Consult factory for shorter lengths on straight backshells.
- Interface O-Ring not supplied with connector designator A.

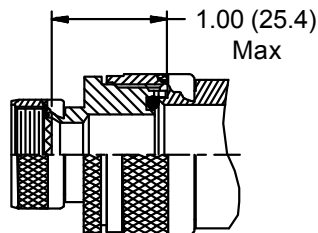
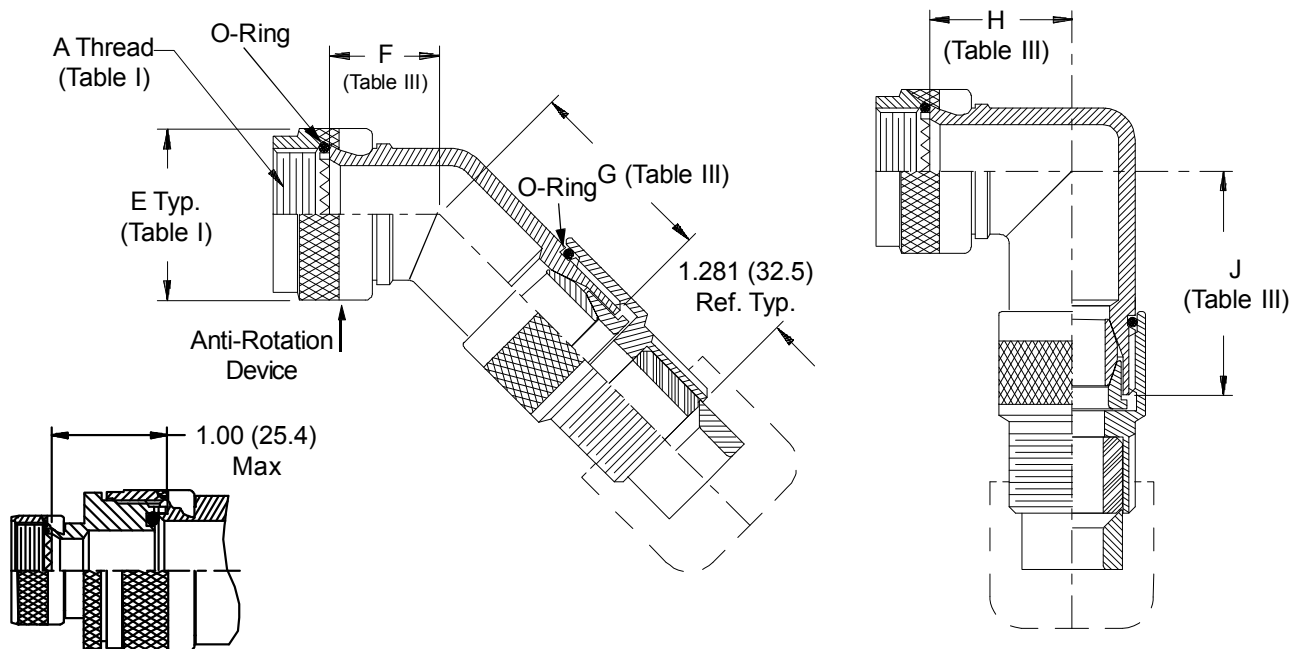
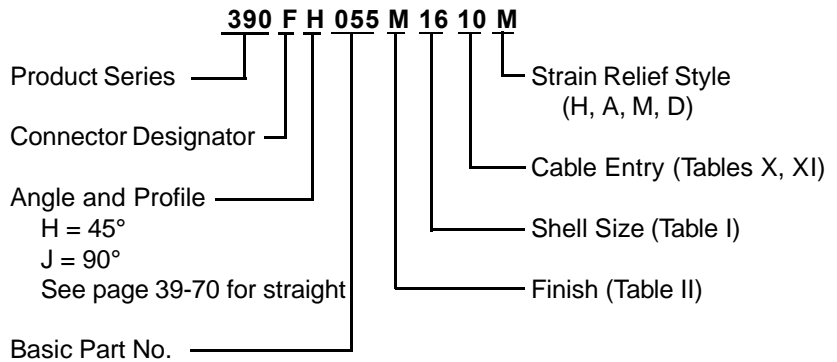
**TABLE XI: CABLE ENTRY**

Dash No.	W Max	X Max	Y Max	Z Max	Cable Range	
					Min	Max
03*	.437 (11.1)	.760 (19.3)	.843 (21.4)	.630 (16.0)	.156 (4.0)	.250 (6.4)
04*	.437 (11.1)	.760 (19.3)	.906 (23.0)	.755 (19.2)	.188 (4.8)	.312 (7.9)
06*	.500 (12.7)	.760 (19.3)	1.093 (27.8)	.942 (23.9)	.281 (7.1)	.438 (11.1)
08	.563 (14.3)	.760 (19.3)	1.187 (30.1)	1.067 (27.1)	.387 (9.3)	.562 (14.3)
10	.563 (14.3)	.760 (19.3)	1.281 (32.5)	1.192 (30.3)	.375 (9.5)	.625 (15.9)
12	.563 (14.3)	.760 (19.3)	1.500 (38.1)	1.380 (35.1)	.438 (11.1)	.750 (19.1)
16	.656 (16.7)	1.073 (27.3)	1.719 (43.7)	1.535 (39.0)	.625 (15.9)	.938 (23.8)
20	.656 (16.7)	1.323 (33.6)	2.062 (52.4)	1.848 (46.9)	.875 (22.2)	1.250 (31.8)
24	.656 (16.7)	1.323 (33.6)	2.312 (58.7)	2.255 (57.3)	1.000 (25.4)	1.375 (34.9)
28	1.188 (30.2)	1.572 (39.9)	2.719 (69.1)	2.505 (63.6)	1.250 (31.8)	1.625 (41.3)
32*	1.187 (30.1)	1.572 (39.9)	2.969 (75.4)	2.755 (70.0)	1.437 (36.5)	1.875 (47.6)
40*	1.125 (28.6)	1.572 (39.9)	3.531 (89.7)	3.255 (82.7)	1.875 (47.6)	2.375 (60.3)

\* Not available in Style M clamp.

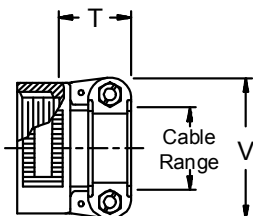
**CONNECTOR  
 DESIGNATORS  
 A-F-H-L-S  
 SELF-LOCKING  
 ROTATABLE  
 COUPLING**

**TYPE F INDIVIDUAL  
 AND/OR OVERALL  
 SHIELD TERMINATION**

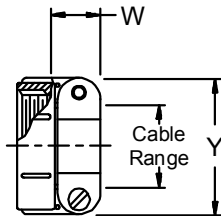


**STYLE 2**  
 (See Note 1)

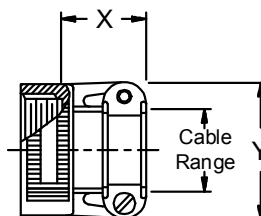
**STYLE H**  
 Heavy Duty  
 (Table X)



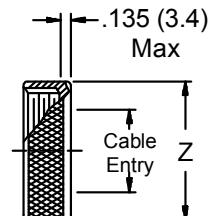
**STYLE A**  
 Medium Duty  
 (Table XI)



**STYLE M**  
 Medium Duty  
 (Table XI)



**STYLE D**  
 Medium Duty  
 (Table XI)



**390-055**  
**Submersible EMI/RFI Cable Sealing Backshell**  
with Strain Relief  
**Type F - Self-Locking Rotatable Coupling - Standard Profile**



See inside back cover fold-out or pages 13 and 14 for Tables I and II.

Shell Size		F	G	H	J
Conn. Desig.	H	Max	Max	Max	Max
A-F-L-S					
08	09	.795 (20.2)	1.031 (26.2)	.906 (23.0)	1.157 (29.4)
10	11	.820 (20.8)	1.063 (27.0)	.966 (24.5)	1.217 (30.9)
12	13	.844 (21.4)	1.094 (27.8)	1.026 (26.1)	1.277 (32.4)
14	15	.861 (21.9)	1.119 (28.4)	1.076 (27.3)	1.347 (34.2)
16	17	.888 (22.6)	1.147 (29.1)	1.136 (28.9)	1.407 (35.7)
18	19	.904 (23.0)	1.157 (29.4)	1.176 (29.9)	1.427 (36.2)
20	21	.929 (23.6)	1.177 (29.9)	1.236 (31.4)	1.487 (37.8)
22	23	.956 (24.3)	1.217 (30.9)	1.296 (32.9)	1.567 (39.8)
24	25	.979 (24.9)	1.247 (31.7)	1.356 (34.4)	1.637 (41.6)

Dash No.	T Max	V Max	Cable Range	
			Min	Max
04	.780 (19.8)	.957 (24.3)	.125 (3.2)	.312 (7.9)
06	.780 (19.8)	1.145 (29.1)	.250 (6.4)	.437 (11.1)
08	.780 (19.8)	1.332 (33.8)	.387 (9.3)	.562 (14.3)
10	.780 (19.8)	1.332 (33.8)	.350 (8.9)	.625 (15.9)
12	.811 (20.6)	1.551 (39.4)	.500 (12.7)	.750 (19.1)
16	.905 (23.0)	1.770 (45.0)	.625 (15.9)	.937 (23.8)
20	1.092 (27.7)	2.113 (53.7)	.875 (22.2)	1.250 (31.8)
24	1.124 (28.5)	2.363 (60.0)	1.000 (25.4)	1.375 (34.9)
28	1.399 (35.5)	2.770 (70.4)	1.250 (31.8)	1.625 (41.3)
32	1.399 (35.5)	3.020 (76.7)	1.437 (36.5)	1.875 (47.6)

1. When maximum cable entry (page 21) is exceeded, Style 2 will be supplied. Dimensions F, G, H and J will not apply. Please consult factory.
2. Metric dimensions (mm) are indicated in parentheses.
3. Cable range is defined as the accommodations range for the wire bundle or cable. Dimensions shown are not intended for inspection criteria.
4. Interface O-Ring not supplied with connector designator A.

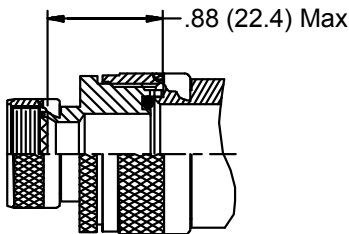
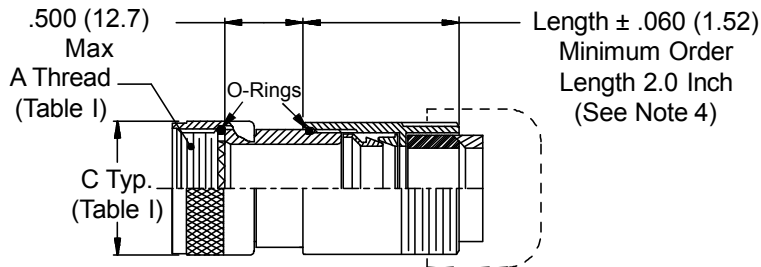
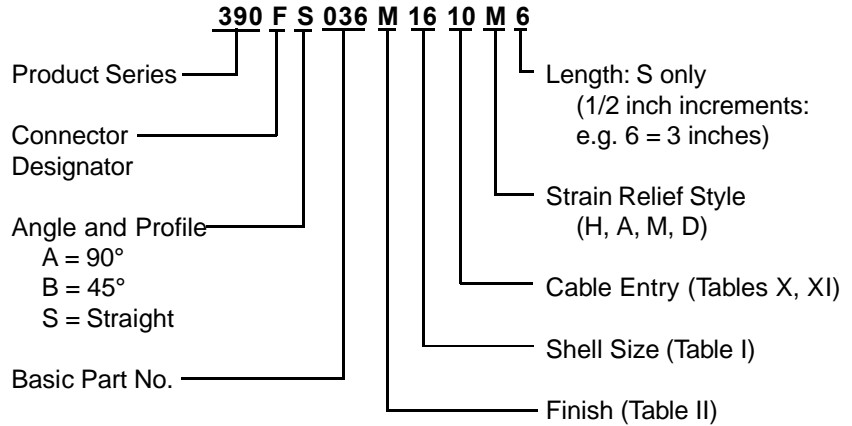
Dash No.	W Max	X Max	Y Max	Z Max	Cable Range	
					Min	Max
03*	.437 (11.1)	.760 (19.3)	.843 (21.4)	.630 (16.0)	.156 (4.0)	.250 (6.4)
04*	.437 (11.1)	.760 (19.3)	.906 (23.0)	.755 (19.2)	.188 (4.8)	.312 (7.9)
06*	.500 (12.7)	.760 (19.3)	1.093 (27.8)	.942 (23.9)	.281 (7.1)	.438 (11.1)
08	.563 (14.3)	.760 (19.3)	1.187 (30.1)	1.067 (27.1)	.387 (9.3)	.562 (14.3)
10	.563 (14.3)	.760 (19.3)	1.281 (32.5)	1.192 (30.3)	.375 (9.5)	.625 (15.9)
12	.563 (14.3)	.760 (19.3)	1.500 (38.1)	1.380 (35.1)	.438 (11.1)	.750 (19.1)
16	.656 (16.7)	1.073 (27.3)	1.719 (43.7)	1.535 (39.0)	.625 (15.9)	.938 (23.8)
20	.656 (16.7)	1.323 (33.6)	2.062 (52.4)	1.848 (46.9)	.875 (22.2)	1.250 (31.8)
24	.656 (16.7)	1.323 (33.6)	2.312 (58.7)	2.255 (57.3)	1.000 (25.4)	1.375 (34.9)
28	1.188 (30.2)	1.572 (39.9)	2.719 (69.1)	2.505 (63.6)	1.250 (31.8)	1.625 (41.3)
32*	1.187 (30.1)	1.572 (39.9)	2.969 (75.4)	2.755 (70.0)	1.437 (36.5)	1.875 (47.6)
40*	1.125 (28.6)	1.572 (39.9)	3.531 (89.7)	3.255 (82.7)	1.875 (47.6)	2.375 (60.3)

\* Not available in Style M clamp.

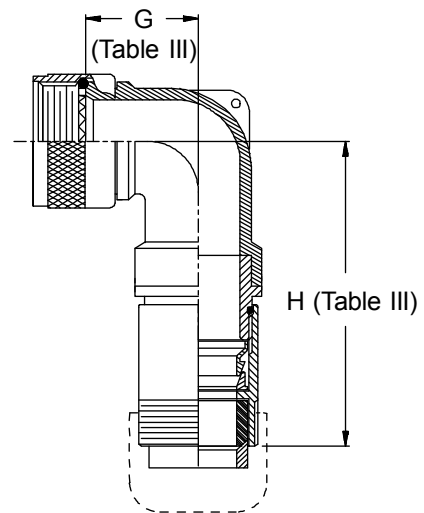
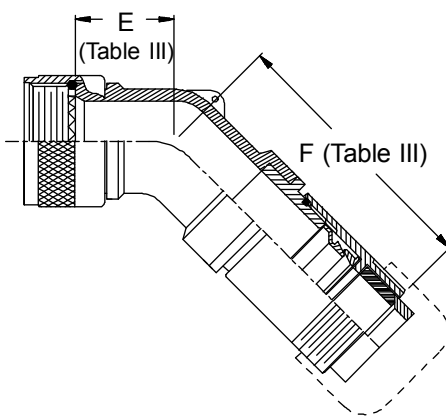


**CONNECTOR  
 DESIGNATORS  
 A-F-H-L-S  
 ROTATABLE  
 COUPLING**

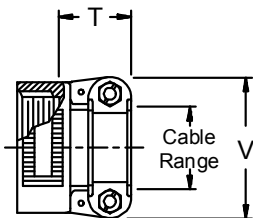
**TYPE G INDIVIDUAL  
 AND/OR OVERALL  
 SHIELD TERMINATION**



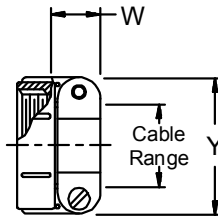
**STYLE 2**  
 (45° & 90°  
 See Note 1)



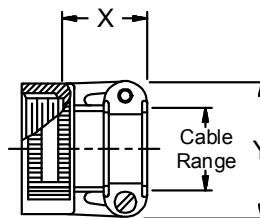
**STYLE H**  
 Heavy Duty  
 (Table X)



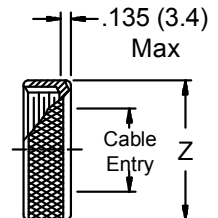
**STYLE A**  
 Medium Duty  
 (Table XI)



**STYLE M**  
 Medium Duty  
 (Table XI)



**STYLE D**  
 Medium Duty  
 (Table XI)



**390-036**  
**Submersible EMI/RFI Cable Sealing Backshell**  
 with Strain Relief  
**Type G - Rotatable Coupling - Low Profile**



**TABLE III**

Shell Size		E Max	F Max	G Max	H Max
Conn. Desig.	H				
A-F-L-S	H				
08	09	.457 (11.6)	3.460 (87.9)	.500 (12.7)	3.460 (87.9)
10	11	.520 (13.2)	3.520 (89.4)	.595 (15.1)	3.590 (91.2)
12	13	.582 (14.8)	3.580 (90.9)	.610 (15.5)	3.610 (91.7)
14	15	.645 (16.4)	3.900 (99.1)	.700 (17.8)	3.910 (99.3)
16	17	.738 (18.7)	4.010(101.9)	.885 (22.5)	4.000(101.6)
18	19	.926 (23.5)	4.200(106.7)	.975 (24.8)	4.170(105.9)
20	21	.926 (23.5)	4.200(106.7)	.975 (24.8)	4.170(105.9)
22	23	1.020 (25.9)	4.350 (110.5)	1.125 (28.6)	4.280(108.7)
24	25	1.020 (25.9)	4.350 (110.5)	1.125 (28.6)	4.280(108.7)
28		1.145 (29.1)	4.400 (111.8)	1.225 (31.1)	4.450 (113.0)
32		1.207 (30.7)	4.500 (114.3)	1.575 (40.0)	4.700 (119.4)
36		1.238 (31.4)	4.590 (116.6)	1.775 (45.1)	4.700 (119.4)

1. When maximum cable entry (page 21) is exceeded, Style 2 will be supplied. Dimensions E, F, G and H will not apply. Please consult factory.
2. Metric dimensions (mm) are indicated in parentheses.
3. Cable range is defined as the accommodations range for the wire bundle or cable. Dimensions shown are not intended for inspection criteria.
4. Consult factory for shorter lengths on straight backshells.
5. Interface O-Ring not supplied with connector designator A.

**TABLE X**

Dash No.	T Max	V Max	Cable Range	
			Min	Max
04	.780 (19.8)	.957 (24.3)	.125 (3.2)	.312 (7.9)
06	.780 (19.8)	1.145 (29.1)	.250 (6.4)	.437 (11.1)
08	.780 (19.8)	1.332 (33.8)	.387 (9.8)	.562 (14.3)
10	.780 (19.8)	1.332 (33.8)	.350 (8.9)	.625 (15.9)
12	.811 (20.6)	1.551 (39.4)	.500 (12.7)	.750 (19.1)
16	.905 (23.0)	1.770 (45.0)	.625 (15.9)	.937 (23.8)
20	1.092 (27.7)	2.113 (53.7)	.875 (22.2)	1.250 (31.8)
24	1.124 (28.5)	2.363 (60.0)	1.000 (25.4)	1.375 (34.9)
28	1.399 (35.5)	2.770 (70.4)	1.250 (31.8)	1.625 (41.3)
32	1.399 (35.5)	3.020 (76.7)	1.437 (36.5)	1.875 (47.6)

**See inside back cover  
 fold-out or pages 13 and  
 14 for Tables I and II.**

**TABLE XI**

Dash No.	W Max	X Max	Y Max	Z Max	Cable Range	
					Min	Max
03*	.437 (11.1)	.760 (19.3)	.843 (21.4)	.630 (16.0)	.156 (4.0)	.250 (6.4)
04*	.437 (11.1)	.760 (19.3)	.906 (23.0)	.755 (19.2)	.188 (4.8)	.312 (7.9)
06*	.500 (12.7)	.760 (19.3)	1.093 (27.8)	.942 (23.9)	.281 (7.1)	.438 (11.1)
08	.563 (14.3)	.760 (19.3)	1.187 (30.1)	1.067 (27.1)	.387 (9.8)	.562 (14.3)
10	.563 (14.3)	.760 (19.3)	1.281 (32.5)	1.192 (30.3)	.375 (9.5)	.625 (15.9)
12	.563 (14.3)	.760 (19.3)	1.500 (38.1)	1.380 (35.1)	.438 (11.1)	.750 (19.1)
16	.656 (16.7)	1.073 (27.3)	1.719 (43.7)	1.535 (39.0)	.625 (15.9)	.938 (23.8)
20	.656 (16.7)	1.323 (33.6)	2.062 (52.4)	1.848 (46.9)	.875 (22.2)	1.250 (31.8)
24	.656 (16.7)	1.323 (33.6)	2.312 (58.7)	2.255 (57.3)	1.000 (25.4)	1.375 (34.9)
28	1.188 (30.2)	1.572 (39.9)	2.719 (69.1)	2.505 (63.6)	1.250 (31.8)	1.625 (41.3)
32*	1.187 (30.1)	1.572 (39.9)	2.969 (75.4)	2.755 (70.0)	1.437 (36.5)	1.875 (47.6)
40*	1.125 (28.6)	1.572 (39.9)	3.531 (89.7)	3.255 (82.7)	1.875 (47.6)	2.375 (60.3)

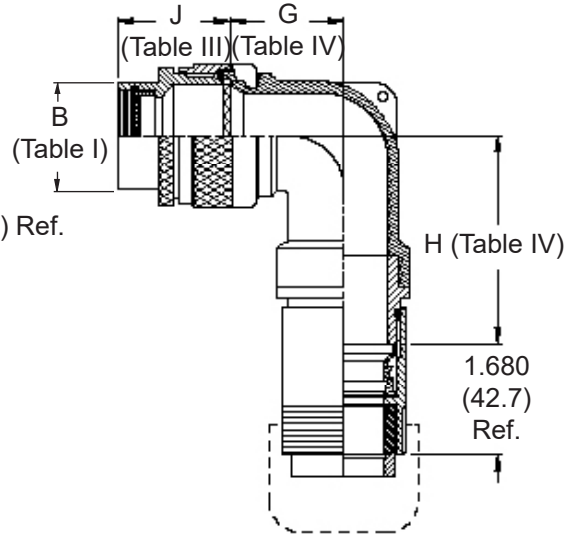
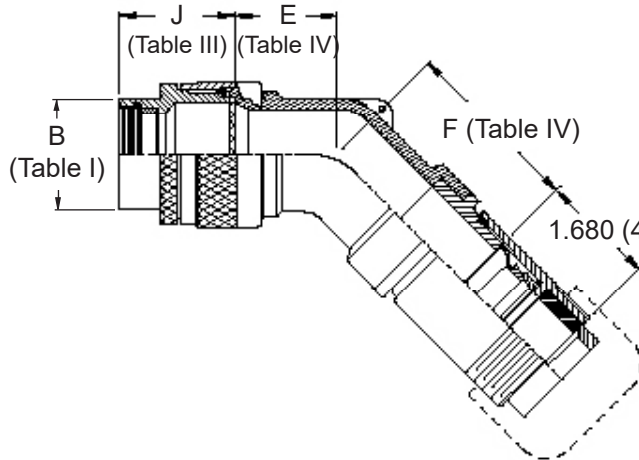
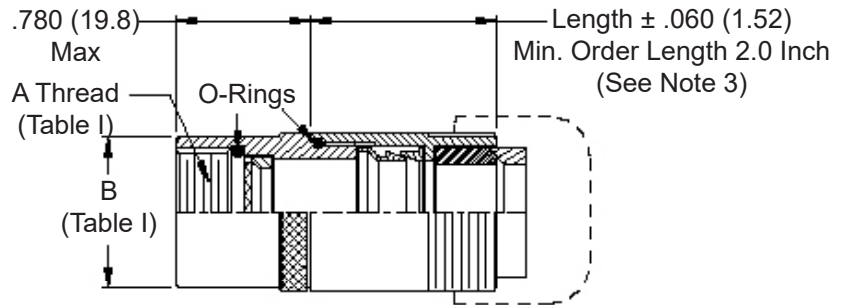
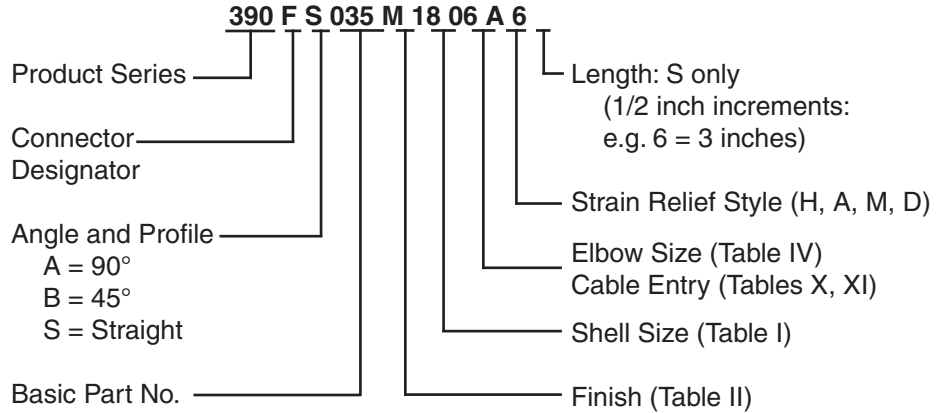
\* Not available in Style M clamp.

**CONNECTOR  
 DESIGNATORS**

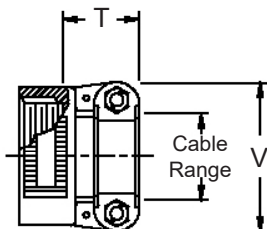
**A-B\*-C-D-E-F  
 G-H-J-K-L-S**

\* Conn. Desig. B See Note 4  
**DIRECT COUPLING**

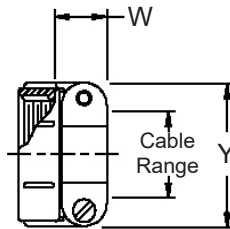
**TYPE G INDIVIDUAL  
 AND/OR OVERALL  
 SHIELD TERMINATION**



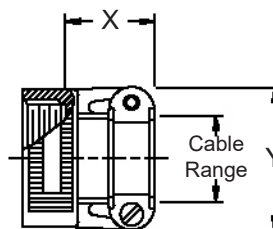
**STYLE H**  
 Heavy Duty  
 (Table X)



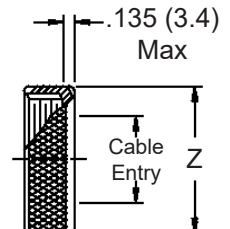
**STYLE A**  
 Medium Duty  
 (Table XI)



**STYLE M**  
 Medium Duty  
 (Table XI)



**STYLE D**  
 Medium Duty  
 (Table XI)



**390-035**  
**Submersible EMI/RFI Cable Sealing Backshell**  
with Strain Relief  
**Type G - Direct Coupling - Low Profile**



See inside back cover fold-out or pages 13 and 14 for Tables I and II.

**TABLE III: FRONT ADAPTER**

Shell Size	J Max - Conn. Designator		
	A-E-F		
	J-H-L-S	D-B-G-K	C
08/09	1.180 (30.0)	1.250 (31.8)	
10/11	1.180 (30.0)	1.250 (31.8)	
12/13	1.180 (30.0)	1.250 (31.8)	1.735(44.1)
14/15	1.180 (30.0)	1.250 (31.8)	1.915(48.6)
16/17	1.380 (35.0)	1.560 (39.6)	1.915(48.6)
18/19	1.380 (35.0)	1.560 (39.6)	1.915(48.6)
20/21	1.380 (35.0)	1.560 (39.6)	1.915(48.6)
22/23	1.380 (35.0)	1.560 (39.6)	1.915(48.6)
24/25	1.380 (35.0)	1.560 (39.6)	1.915(48.6)
28/29	1.610 (40.9)	1.560 (39.6)	1.915(48.6)
32/33	1.610 (40.9)	1.750 (44.5)	1.915(48.6)
36	1.610 (40.9)	1.750 (44.5)	1.915(48.6)
40	1.610 (40.9)	2.190 (55.6)	1.915(48.6)

**TABLE IV: ELBOW DIMENSIONS**

Elbow Size	E Max	F Max	G Max	H Max
03	.500 (12.7)	1.250 (31.8)	.520 (13.2)	1.140 (29.0)
04	.500 (12.7)	1.610 (40.9)	.520 (13.2)	1.170 (29.7)
06	.590 (15.0)	1.730 (43.9)	.605 (15.4)	1.650 (41.9)
08	.610 (15.5)	1.750 (44.5)	.640 (16.3)	1.720 (43.7)
10	.700 (17.8)	1.820 (46.2)	.730 (18.5)	1.800 (45.7)
12	.880 (22.4)	2.080 (52.8)	.920 (23.4)	1.910 (48.5)
16	.970 (24.6)	2.190 (55.6)	1.020 (25.9)	2.100 (53.3)
20	1.120 (28.4)	2.190 (55.6)	1.150 (29.2)	2.250 (57.2)
24	1.220 (31.0)	2.360 (59.9)	1.250 (31.8)	2.300 (58.4)
28	1.570 (39.9)	2.610 (66.3)	1.585 (40.3)	2.400 (61.0)
32	1.770 (45.0)	2.780 (70.6)	1.800 (45.7)	2.600 (66.0)

**TABLE X: : CABLE ENTRY**

Dash No.	T Max	V Max	Cable Range	
			Min	Max
04	.780 (19.8)	.957 (24.3)	.125 (3.2)	.312 (7.9)
06	.780 (19.8)	1.145 (29.1)	.250 (6.4)	.437 (11.1)
08	.780 (19.8)	1.332 (33.8)	.387 (9.8)	.562 (14.3)
10	.780 (19.8)	1.332 (33.8)	.350 (8.9)	.625 (15.9)
12	.811 (20.6)	1.551 (39.4)	.500 (12.7)	.750 (19.1)
16	.905 (23.0)	1.770 (45.0)	.625 (15.9)	.937 (23.8)
20	1.092 (27.7)	2.113 (53.7)	.875 (22.2)	1.250 (31.8)
24	1.124 (28.5)	2.363 (60.0)	1.000 (25.4)	1.375 (34.9)
28	1.399 (35.5)	2.770 (70.4)	1.250 (31.8)	1.625 (41.3)
32	1.399 (35.5)	3.020 (76.7)	1.437 (36.5)	1.875 (47.6)

1. Metric dimensions (mm) are indicated in parentheses.
2. Cable range is defined as the accommodations range for the wire bundle or cable. Dimensions shown are not intended for inspection criteria.
3. Consult factory for shorter lengths on straight backshells.
4. When using Connector Designator B refer to pages 18 and 19 for part number development.

**TABLE XI: CABLE ENTRY**

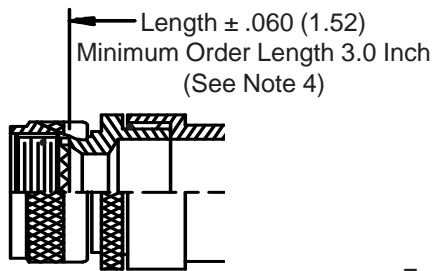
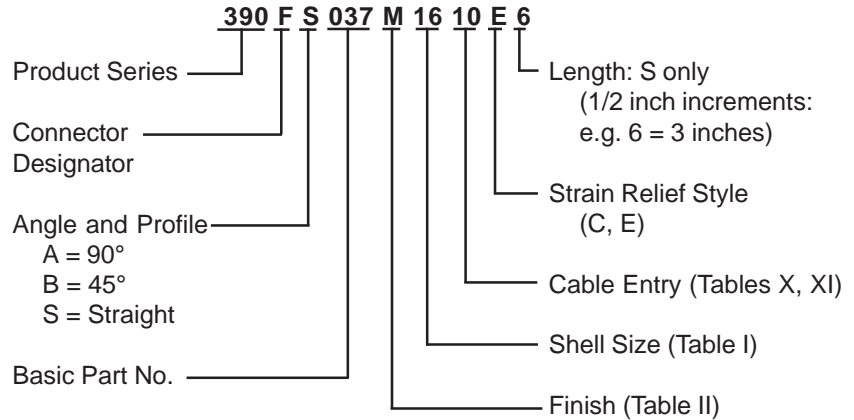
Dash No.	W Max	X Max	Y Max	Z Max	Cable Range	
					Min **	Max
03*	.437 (11.1)	.760 (19.3)	.843 (21.4)	.630 (16.0)	.156 (4.0)	.250 (6.4)
04*	.437 (11.1)	.760 (19.3)	.906 (23.0)	.755 (19.2)	.188 (4.8)	.312 (7.9)
06*	.500 (12.7)	.760 (19.3)	1.093 (27.8)	.942 (23.9)	.281 (7.1)	.438 (11.1)
08	.563 (14.3)	.760 (19.3)	1.187 (30.1)	1.067 (27.1)	.387 (9.8)	.562 (14.3)
10	.563 (14.3)	.760 (19.3)	1.281 (32.5)	1.192 (30.3)	.375 (9.5)	.625 (15.9)
12	.563 (14.3)	.760 (19.3)	1.500 (38.1)	1.380 (35.1)	.438 (11.1)	.750 (19.1)
16	.656 (16.7)	1.073 (27.3)	1.719 (43.7)	1.535 (39.0)	.625 (15.9)	.938 (23.8)
20	.656 (16.7)	1.323 (33.6)	2.062 (52.4)	1.848 (46.9)	.875 (22.2)	1.250 (31.8)
24	.656 (16.7)	1.323 (33.6)	2.312 (58.7)	2.255 (57.3)	1.000 (25.4)	1.375 (34.9)
28	1.188 (30.2)	1.572 (39.9)	2.719 (69.1)	2.505 (63.6)	1.250 (31.8)	1.625 (41.3)
32*	1.187 (30.1)	1.572 (39.9)	2.969 (75.4)	2.755 (70.0)	1.437 (36.5)	1.875 (47.6)

\* Not available in Style M clamp.

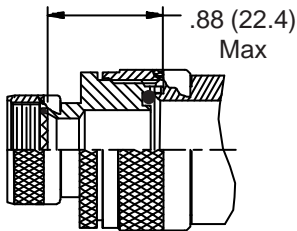
\*\* Not Applicable Style D

**CONNECTOR  
 DESIGNATORS  
 A-F-H-L-S  
 ROTATABLE  
 COUPLING**

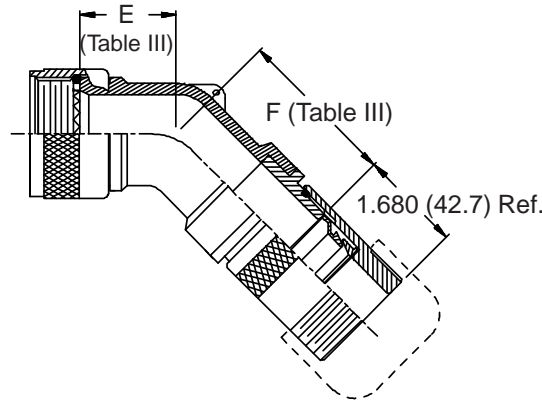
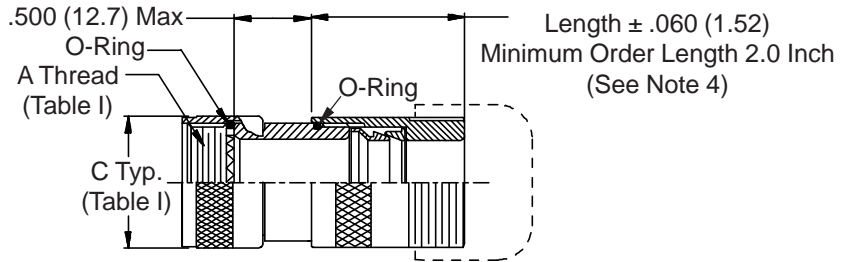
**TYPE G INDIVIDUAL  
 AND/OR OVERALL  
 SHIELD TERMINATION**



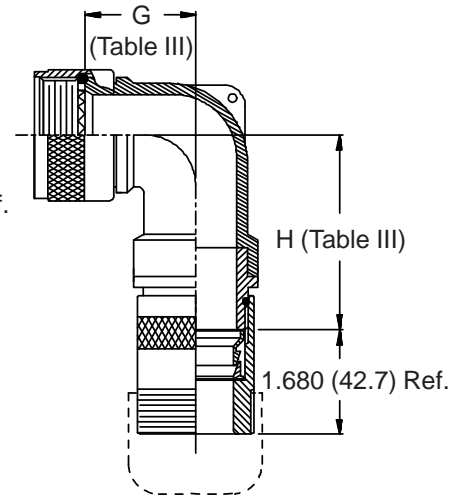
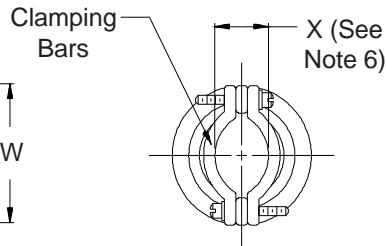
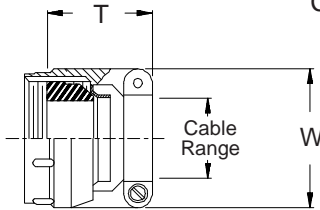
**STYLE 2  
 (STRAIGHT  
 See Note 1)**



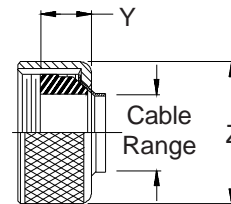
**STYLE 2  
 (45° & 90°  
 See Note 1)**



**STYLE C  
 Medium Duty  
 (Table X)**



**STYLE E  
 Medium Duty  
 (Table XI)**



**Submersible EMI/RFI Cable Sealing Backshell  
with Strain Relief  
Type G - Rotatable Coupling - Low Profile**

TABLE III

Shell Size		E	F	G	H
Conn. Desig.	A-F-L-S H	Max	Max	Max	Max
08	09	.457 (11.6)	1.780 (45.2)	.500 (12.7)	1.780 (45.2)
10	11	.520 (13.2)	1.840 (46.7)	.595 (15.1)	1.910 (48.5)
12	13	.582 (14.8)	1.900 (48.3)	.610 (15.5)	1.930 (49.0)
14	15	.645 (16.4)	2.220 (56.4)	.700 (17.8)	2.230 (56.6)
16	17	.738 (18.7)	2.330 (59.2)	.885 (22.5)	2.320 (58.9)
18	19	.926 (23.5)	2.520 (64.0)	.975 (24.8)	2.490 (63.2)
20	21	.926 (23.5)	2.520 (64.0)	.975 (24.8)	2.490 (63.2)
22	23	1.020 (25.9)	2.670 (67.8)	1.125 (28.6)	2.600 (66.0)
24	25	1.020 (25.9)	2.670 (67.8)	1.125 (28.6)	2.600 (66.0)
28		1.145 (29.1)	2.720 (69.1)	1.225 (31.1)	2.770 (70.4)
32		1.207 (30.7)	2.820 (71.6)	1.575 (40.0)	3.020 (76.7)
36		1.238 (31.4)	2.910 (73.9)	1.775 (45.1)	3.020 (76.7)

**See inside back cover  
fold-out or pages 13 and  
14 for Tables I and II.**

TABLE X

Dash No.	T Max	W Max	X Ref	Cable Range	
				Min	Max
03	1.219 (31.0)	.812 (20.6)	.135 (3.4)	.156 (4.0)	.219 (5.6)
04	1.219 (31.0)	.937 (23.8)	.203 (5.2)	.188 (4.8)	.312 (7.9)
06	1.219 (31.0)	1.062 (27.0)	.285 (7.2)	.281 (7.1)	.438 (11.1)
08	1.219 (31.0)	1.188 (30.2)	.350 (8.9)	.312 (7.9)	.531 (13.5)
10	1.281 (32.5)	1.312 (33.3)	.390 (9.9)	.375 (9.5)	.625 (15.9)
12	1.281 (32.5)	1.562 (39.7)	.460 (11.7)	.500 (12.7)	.750 (19.1)
16	1.406 (35.7)	1.750 (44.5)	.510 (13.0)	.625 (15.9)	.938 (23.8)
20	1.656 (42.1)	2.250 (57.2)	.695 (17.7)	.938 (23.8)	1.250 (31.8)
24	1.906 (48.4)	2.375 (60.3)	.715 (18.2)	1.000 (25.4)	1.375 (34.9)
28	1.906 (48.4)	2.625 (66.7)	.915 (23.2)	1.250 (31.8)	1.625 (41.3)
32	2.000 (50.8)	2.812 (71.4)	1.070 (27.2)	1.500 (38.1)	1.875 (47.6)

TABLE XI

Dash No.	Y Max	Z Max	Cable Range	
			Min	Max
03	.739 (18.8)	.812 (20.6)	.156 (4.0)	.219 (5.6)
04	.739 (18.8)	.937 (23.8)	.188 (4.8)	.312 (7.9)
06	.739 (18.8)	1.062 (27.0)	.281 (7.1)	.438 (11.1)
08	.739 (18.8)	1.188 (30.2)	.312 (7.9)	.531 (13.5)
10	.791 (20.1)	1.312 (33.3)	.375 (9.5)	.625 (15.9)
12	.880 (22.4)	1.562 (39.7)	.500 (12.7)	.750 (19.1)
16	.901 (22.9)	1.750 (44.5)	.625 (15.9)	.938 (23.8)
20	1.031 (26.2)	2.250 (57.2)	.938 (23.8)	1.250 (31.8)
24	1.250 (31.8)	2.375 (60.3)	1.000 (25.4)	1.375 (34.9)
28	1.250 (31.8)	2.625 (66.7)	1.250 (31.8)	1.625 (41.3)
32	1.312 (33.3)	2.812 (71.4)	1.500 (38.1)	1.875 (47.6)

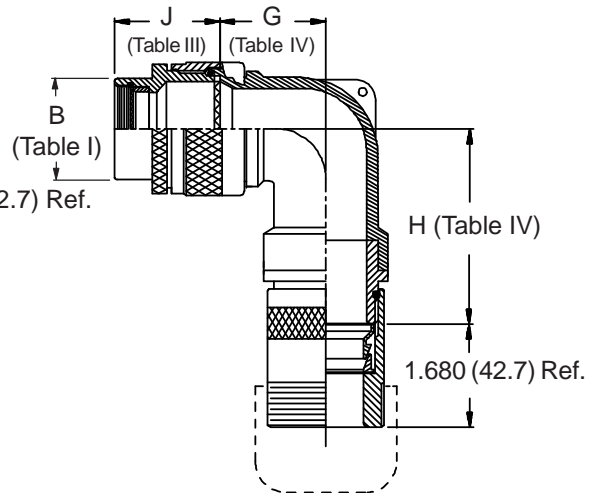
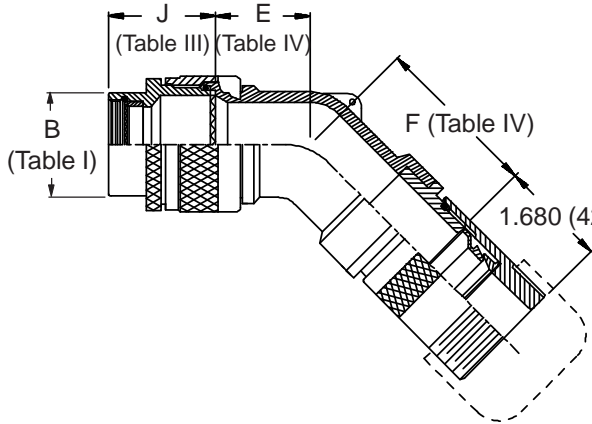
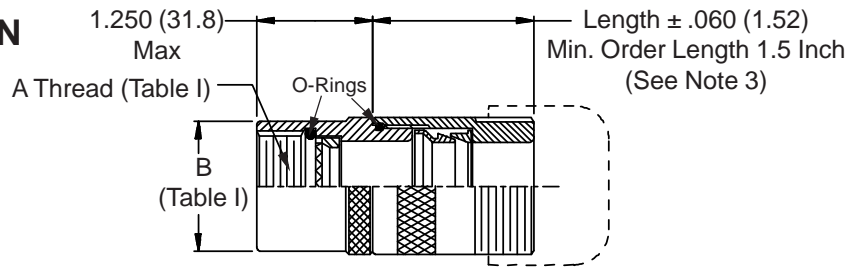
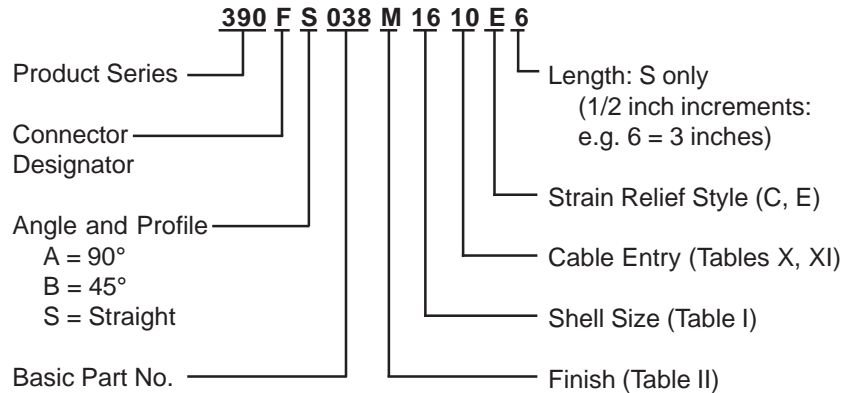
- When maximum cable entry (page 21) is exceeded, Style 2 will be supplied. Dimensions E, F, G and H will not apply. Please consult factory.
- Metric dimensions (mm) are indicated in parentheses.
- Cable range is defined as the accommodations range for the wire bundle or cable. Dimensions shown are not intended for inspection criteria.
- Consult factory for shorter lengths on straight backshells.
- Interface O-Ring not supplied with connector designator A.
- Saddles are bottomed on Clamp Ears.



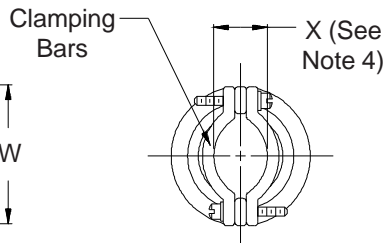
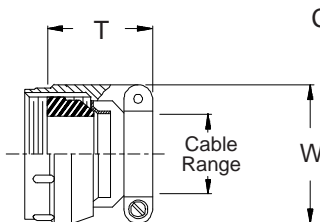
**CONNECTOR DESIGNATORS**  
**A-B\*-C-D-E-F**  
**G-H-J-K-L-S**

\* Conn. Desig. B See Note 5  
**DIRECT COUPLING**

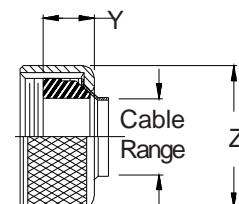
**TYPE G INDIVIDUAL AND/OR OVERALL SHIELD TERMINATION**



**STYLE C**  
 Medium Duty  
 (Table X)



**STYLE E**  
 Medium Duty  
 (Table XI)



**390-038**  
**Submersible EMI/RFI Cable Sealing Backshell**  
 with Strain Relief  
 Type G - Direct Coupling - Low Profile



See inside back cover fold-out or pages 13 and 14 for Tables I and II.

TABLE III: FRONT ADAPTER			
Shell Size	J Max - Conn. Designator		
	A-E-F		C
	J-H-L-S	D-B-G-K	
08/09	1.180 (30.0)	1.440 (36.6)	
10/11	1.180 (30.0)	1.440 (36.6)	
12/13	1.180 (30.0)	1.440 (36.6)	1.735 (44.1)
14/15	1.180 (30.0)	1.440 (36.6)	1.915 (48.6)
16/17	1.380 (35.0)	1.560 (39.6)	1.915 (48.6)
18/19	1.380 (35.0)	1.560 (39.6)	1.915 (48.6)
20/21	1.380 (35.0)	1.560 (39.6)	1.915 (48.6)
22/23	1.380 (35.0)	1.560 (39.6)	1.915 (48.6)
24/25	1.380 (35.0)	1.560 (39.6)	1.915 (48.6)
28/29	1.610 (40.9)	1.560 (39.6)	1.915 (48.6)
32/33	1.610 (40.9)	1.750 (44.5)	1.915 (48.6)
36	1.610 (40.9)	1.750 (44.5)	1.915 (48.6)
40	1.610 (40.9)	2.190 (55.6)	1.915 (48.6)

TABLE IV				
Dash No.	E Max	F Max	G Max	H Max
03	.500 (12.7)	1.250 (31.8)	.520 (13.2)	1.140 (29.0)
04	.500 (12.7)	1.610 (40.9)	.520 (13.2)	1.170 (29.7)
06	.590 (15.0)	1.730 (43.9)	.580 (14.7)	1.650 (41.9)
08	.610 (15.5)	1.750 (44.5)	.640 (16.3)	1.720 (43.7)
10	.700 (17.8)	1.820 (46.2)	.730 (18.5)	1.800 (45.7)
12	.880 (22.4)	2.080 (52.8)	.920 (23.4)	1.910 (48.5)
16	.970 (24.6)	2.190 (55.6)	1.020 (25.9)	2.100 (53.3)
20	1.120 (28.4)	2.190 (55.6)	1.040 (26.4)	2.250 (57.2)
24	1.220 (31.0)	2.360 (59.9)	1.040 (26.4)	2.300 (58.4)
28	1.570 (39.9)	2.610 (66.3)	1.090 (27.7)	2.400 (61.0)
32	1.770 (45.0)	2.780 (70.6)	1.180 (30.0)	2.600 (66.0)

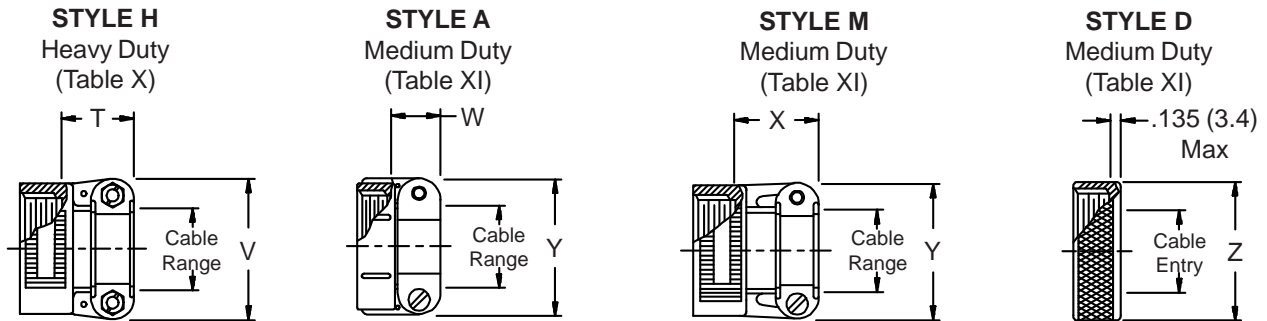
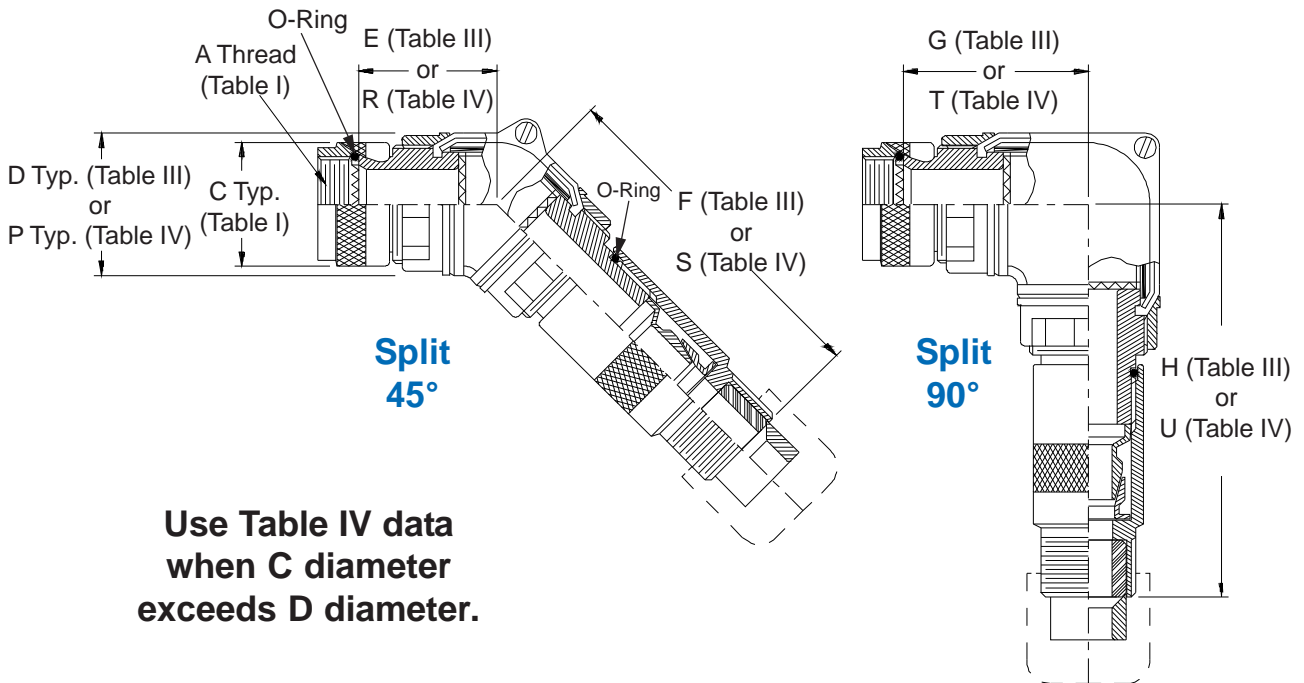
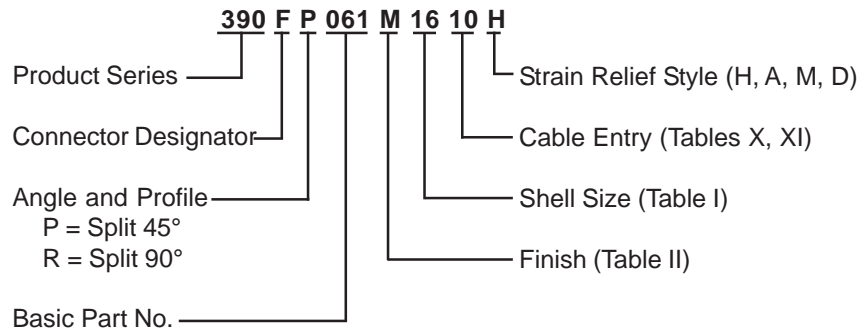
TABLE X								
Dash No.	T Max	W Max	X Ref	Cable Range				
				Min	Max			
03	1.219 (31.0)	.812 (20.6)	.135 (3.4)	.156 (4.0)	.219 (5.6)			
04	1.219 (31.0)	.937 (23.8)	.203 (5.2)	.188 (4.8)	.312 (7.9)			
06	1.219 (31.0)	1.062 (27.0)	.285 (7.2)	.281 (7.1)	.438 (11.1)			
08	1.219 (31.0)	1.188 (30.2)	.350 (8.9)	.312 (7.9)	.531 (13.5)			
10	1.281 (32.5)	1.312 (33.3)	.390 (9.9)	.375 (9.5)	.625 (15.9)			
12	1.281 (32.5)	1.562 (39.7)	.460 (11.7)	.500 (12.7)	.750 (19.1)			
16	1.406 (35.7)	1.750 (44.5)	.510 (13.0)	.625 (15.9)	.938 (23.8)			
20	1.656 (42.1)	2.250 (57.2)	.695 (17.7)	.938 (23.8)	1.250 (31.8)			
24	1.906 (48.4)	2.375 (60.3)	.715 (18.2)	1.000 (25.4)	1.375 (34.9)			
28	1.906 (48.4)	2.625 (66.7)	.915 (23.2)	1.250 (31.8)	1.625 (41.3)			
32	2.000 (50.8)	2.812 (71.4)	1.070 (27.2)	1.500 (38.1)	1.875 (47.6)			

TABLE XI					
Dash No.	Y Max	Z Max	Cable Range		
			Min	Max	
03	.739 (18.8)	.812 (20.6)	.156 (4.0)	.219 (5.6)	
04	.739 (18.8)	.937 (23.8)	.188 (4.8)	.312 (7.9)	
06	.739 (18.8)	1.062 (27.0)	.281 (7.1)	.438 (11.1)	
08	.739 (18.8)	1.188 (30.2)	.312 (7.9)	.531 (13.5)	
10	.791 (20.1)	1.312 (33.3)	.375 (9.5)	.625 (15.9)	
12	.880 (22.4)	1.562 (39.7)	.500 (12.7)	.750 (19.1)	
16	.901 (22.9)	1.750 (44.5)	.625 (15.9)	.938 (23.8)	
20	1.031 (26.2)	2.250 (57.2)	.938 (23.8)	1.250 (31.8)	
24	1.250 (31.8)	2.375 (60.3)	1.000 (25.4)	1.375 (34.9)	
28	1.250 (31.8)	2.625 (66.7)	1.250 (31.8)	1.625 (41.3)	
32	1.312 (33.3)	2.812 (71.4)	1.500 (38.1)	1.875 (47.6)	

1. Metric dimensions (mm) are indicated in parentheses.
2. Cable range is defined as the accommodations range for the wire bundle or cable. Dimensions shown are not intended for inspection criteria.
3. Consult factory for shorter lengths on straight backshells.
4. Saddles are bottomed on Clamp Ears.
5. When using Connector Designator B refer to pages 18 and 19 for part number development.

**CONNECTOR  
 DESIGNATORS  
 A-F-H-L-S  
 ROTATABLE  
 COUPLING**

**TYPE G INDIVIDUAL  
 AND/OR OVERALL  
 SHIELD TERMINATION**



**390-061**  
**Submersible EMI/RFI Cable Sealing Backshell**  
 with Strain Relief  
 Type G - Rotatable Coupling - Split Shell



**TABLE III**

Shell Size		D		E		F		G		H	
Conn. Desig.	A-F-L-S H	Max		Max		Max		Max		Max	
08	09	1.188	(30.2)	1.781	(45.2)	4.406	(111.9)	1.781	(45.2)	4.406	(111.9)
10	11	1.188	(30.2)	1.781	(45.2)	4.406	(111.9)	1.781	(45.2)	4.406	(111.9)
12	13	1.188	(30.2)	1.781	(45.2)	4.406	(111.9)	1.781	(45.2)	4.406	(111.9)
14	15	1.188	(30.2)	1.781	(45.2)	4.406	(111.9)	1.781	(45.2)	4.406	(111.9)
16	17	1.438	(36.5)	1.906	(48.4)	4.531	(115.1)	1.906	(48.4)	4.531	(115.1)
18	19	1.438	(36.5)	1.906	(48.4)	4.531	(115.1)	1.906	(48.4)	4.531	(115.1)
20	21	1.438	(36.5)	1.906	(48.4)	4.531	(115.1)	1.906	(48.4)	4.531	(115.1)
22	23	1.688	(42.9)	2.031	(51.6)	4.656	(118.3)	2.031	(51.6)	4.656	(118.3)
24	25	1.688	(42.9)	2.031	(51.6)	4.656	(118.3)	2.031	(51.6)	4.656	(118.3)

**TABLE IV**

Dash No.	P Max	R Max	S Max	T Max	U Max
08	1.438 (36.5)	1.906 (48.4)	4.531 (115.1)	1.906 (48.4)	4.531 (115.1)
10	1.688 (42.9)	2.031 (51.6)	4.656 (118.3)	2.031 (51.6)	4.656 (118.3)
12	1.688 (42.9)	2.031 (51.6)	4.656 (118.3)	2.031 (51.6)	4.656 (118.3)
16	1.688 (42.9)	2.031 (51.6)	4.656 (118.3)	2.031 (51.6)	4.656 (118.3)
20	2.188 (55.6)	2.281 (57.9)	4.906 (124.6)	2.281 (57.9)	4.906 (124.6)
24	2.188 (55.6)	2.281 (57.9)	4.906 (124.6)	2.281 (57.9)	4.906 (124.6)
28	2.688 (68.3)	2.531 (64.3)	5.156 (131.0)	2.531 (64.3)	5.156 (131.0)

See inside back cover fold-out or pages 13 and 14 for Tables I and II.

**TABLE X**

Dash No.	T Max	V Max	Cable Range	
			Min	Max
04	.780 (19.8)	.957 (24.3)	.125 (3.2)	.312 (7.9)
06	.780 (19.8)	1.145 (29.1)	.250 (6.4)	.437 (11.1)
08	.780 (19.8)	1.332 (33.8)	.387 (9.8)	.562 (14.3)
10	.780 (19.8)	1.332 (33.8)	.350 (8.9)	.625 (15.9)
12	.811 (20.6)	1.551 (39.4)	.500 (12.7)	.750 (19.1)
16	.905 (23.0)	1.770 (45.0)	.625 (15.9)	.937 (23.8)
20	1.092 (27.7)	2.113 (53.7)	.875 (22.2)	1.250 (31.8)
24	1.124 (28.5)	2.363 (60.0)	1.000 (25.4)	1.375 (34.9)
28	1.399 (35.5)	2.770 (70.4)	1.250 (31.8)	1.625 (41.3)

1. Metric dimensions (mm) are indicated in parentheses.
2. Cable range is defined as the accommodations range for the wire bundle or cable. Dimensions shown are not intended for inspection criteria.
3. Interface O-Ring not supplied with connector designator A.

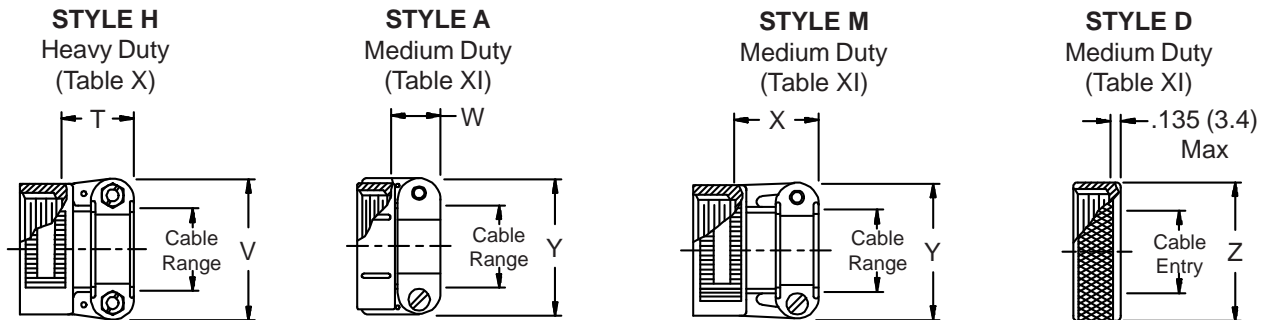
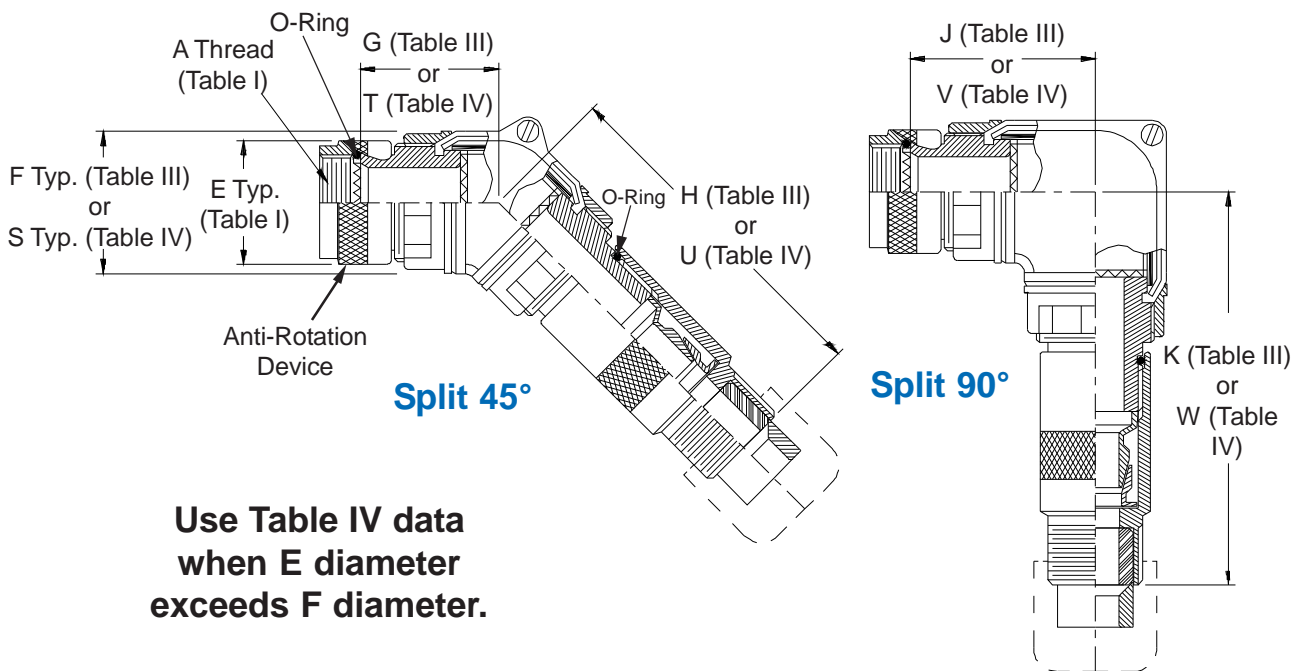
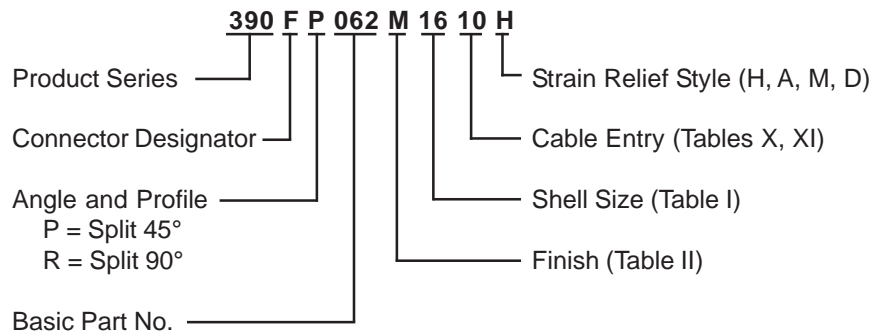
**TABLE XI**

Dash No.	W Max	X Max	Y Max	Z Max	Cable Range	
					Min	Max
03*	.437 (11.1)	.760 (19.3)	.843 (21.4)	.630 (16.0)	.156 (4.0)	.250 (6.4)
04*	.437 (11.1)	.760 (19.3)	.906 (23.0)	.755 (19.2)	.188 (4.8)	.312 (7.9)
06*	.500 (12.7)	.760 (19.3)	1.093 (27.8)	.942 (23.9)	.281 (7.1)	.438 (11.1)
08	.563 (14.3)	.760 (19.3)	1.187 (30.1)	1.067 (27.1)	.387 (9.8)	.562 (14.3)
10	.563 (14.3)	.760 (19.3)	1.281 (32.5)	1.192 (30.3)	.375 (9.5)	.625 (15.9)
12	.563 (14.3)	.760 (19.3)	1.500 (38.1)	1.380 (35.1)	.438 (11.1)	.750 (19.1)
16	.656 (16.7)	1.073 (27.3)	1.719 (43.7)	1.535 (39.0)	.625 (15.9)	.938 (23.8)
20	.656 (16.7)	1.323 (33.6)	2.062 (52.4)	1.848 (46.9)	.875 (22.2)	1.250 (31.8)
24	.656 (16.7)	1.323 (33.6)	2.312 (58.7)	2.255 (57.3)	1.000 (25.4)	1.375 (34.9)
28	1.188 (30.2)	1.572 (39.9)	2.719 (69.1)	2.505 (63.6)	1.250 (31.8)	1.625 (41.3)

\* Not available in Style M clamp.

**CONNECTOR  
 DESIGNATORS  
 A-F-H-L-S  
 SELF-LOCKING  
 ROTATABLE  
 COUPLING**

**TYPE G INDIVIDUAL  
 AND/OR OVERALL  
 SHIELD TERMINATION**



**390-062**  
**Submersible EMI/RFI Cable Sealing Backshell**  
 with Strain Relief  
**Type G - Self-Locking Rotatable Coupling - Split Shell**



**TABLE III**

Shell Size		F		G		H		J		K	
Conn. Desig.	A-F-L-S H	Max		Max		Max		Max		Max	
08	09	1.188	(30.2)	1.938	(49.2)	4.406	(111.9)	1.938	(49.2)	4.406	(111.9)
10	11	1.188	(30.2)	1.938	(49.2)	4.406	(111.9)	1.938	(49.2)	4.406	(111.9)
12	13	1.188	(30.2)	1.938	(49.2)	4.406	(111.9)	1.938	(49.2)	4.406	(111.9)
14	15	1.188	(30.2)	1.938	(49.2)	4.406	(111.9)	1.938	(49.2)	4.406	(111.9)
16	17	1.438	(36.5)	2.062	(52.4)	4.531	(115.1)	2.062	(52.4)	4.531	(115.1)
18	19	1.438	(36.5)	2.062	(52.4)	4.531	(115.1)	2.062	(52.4)	4.531	(115.1)
20	21	1.438	(36.5)	2.062	(52.4)	4.531	(115.1)	2.062	(52.4)	4.531	(115.1)
22	23	1.688	(42.9)	2.188	(55.6)	4.656	(118.3)	2.188	(55.6)	4.656	(118.3)
24	25	1.688	(42.9)	2.188	(55.6)	4.656	(118.3)	2.188	(55.6)	4.656	(118.3)

**TABLE IV**

Dash No.	S Max	T Max	U Max	V Max	W Max
08	1.438 (36.5)	2.062 (52.4)	4.531 (115.1)	2.062 (52.4)	4.531 (115.1)
10	1.688 (42.9)	2.188 (55.6)	4.656 (118.3)	2.188 (55.6)	4.656 (118.3)
12	1.688 (42.9)	2.188 (55.6)	4.656 (118.3)	2.188 (55.6)	4.656 (118.3)
16	1.688 (42.9)	2.188 (55.6)	4.656 (118.3)	2.188 (55.6)	4.656 (118.3)
20	2.188 (55.6)	2.438 (61.9)	4.906 (124.6)	2.438 (61.9)	4.906 (124.6)
24	2.188 (55.6)	2.438 (61.9)	4.906 (124.6)	2.438 (61.9)	4.906 (124.6)
28	2.688 (68.3)	2.688 (68.3)	5.156 (131.0)	2.688 (68.3)	5.156 (131.0)

See inside back cover fold-out or pages 13 and 14 for Tables I and II.

**TABLE X**

Dash No.	T Max	V Max	Cable Range	
			Min	Max
04	.780 (19.8)	.957 (24.3)	.125 (3.2)	.312 (7.9)
06	.780 (19.8)	1.145 (29.1)	.250 (6.4)	.437 (11.1)
08	.780 (19.8)	1.332 (33.8)	.387 (9.8)	.562 (14.3)
10	.780 (19.8)	1.332 (33.8)	.350 (8.9)	.625 (15.9)
12	.811 (20.6)	1.551 (39.4)	.500 (12.7)	.750 (19.1)
16	.905 (23.0)	1.770 (45.0)	.625 (15.9)	.937 (23.8)
20	1.092 (27.7)	2.113 (53.7)	.875 (22.2)	1.250 (31.8)
24	1.124 (28.5)	2.363 (60.0)	1.000 (25.4)	1.375 (34.9)
28	1.399 (35.5)	2.770 (70.4)	1.250 (31.8)	1.625 (41.3)

1. Metric dimensions (mm) are indicated in parentheses.
2. Cable range is defined as the accommodations range for the wire bundle or cable. Dimensions shown are not intended for inspection criteria.
3. Interface O-Ring not supplied with connector designator A.

**TABLE XI**

Dash No.	W Max	X Max	Y Max	Z Max	Cable Range	
					Min	Max
03*	.437 (11.1)	.760 (19.3)	.843 (21.4)	.630 (16.0)	.156 (4.0)	.250 (6.4)
04*	.437 (11.1)	.760 (19.3)	.906 (23.0)	.755 (19.2)	.188 (4.8)	.312 (7.9)
06*	.500 (12.7)	.760 (19.3)	1.093 (27.8)	.942 (23.9)	.281 (7.1)	.438 (11.1)
08	.563 (14.3)	.760 (19.3)	1.187 (30.1)	1.067 (27.1)	.387 (9.8)	.562 (14.3)
10	.563 (14.3)	.760 (19.3)	1.281 (32.5)	1.192 (30.3)	.375 (9.5)	.625 (15.9)
12	.563 (14.3)	.760 (19.3)	1.500 (38.1)	1.380 (35.1)	.438 (11.1)	.750 (19.1)
16	.656 (16.7)	1.073 (27.3)	1.719 (43.7)	1.535 (39.0)	.625 (15.9)	.938 (23.8)
20	.656 (16.7)	1.323 (33.6)	2.062 (52.4)	1.848 (46.9)	.875 (22.2)	1.250 (31.8)
24	.656 (16.7)	1.323 (33.6)	2.312 (58.7)	2.255 (57.3)	1.000 (25.4)	1.375 (34.9)
28	1.188 (30.2)	1.572 (39.9)	2.719 (69.1)	2.505 (63.6)	1.250 (31.8)	1.625 (41.3)

\* Not available in Style M clamp.



# Still shopping all over town for Mil Spec connector accessories?



## Glenair offers one-stop shopping for every Mil-Spec accessory in the book.

**N**owhere in the world, under one roof, does anyone manufacture and stock as complete a selection of Mil-Spec connector accessories as Glenair. From every AS85049 slash number to virtually every other Mil-Spec connector accessory

in use today...Glenair supplies them all. At Glenair, we're making all the investments in tooling, equipment and manufacturing capacity to provide you with the ultimate convenience and economy in parts procurement: one-stop shopping.



Commercial and Mil Spec connector accessories



Convulated tubing and metal-core conduit



Electrical and fiber optic cable assemblies



Composite thermoplastic components



Microminiature connectors and accessories



Backshell assembly and termination tools

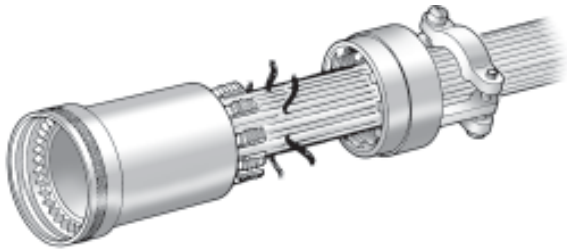


1211 Air Way  
Glendale, California 91201-2497

Telephone: 818-247-6000 · Facsimilie: 818-500-9912 · EMail: sales@glenair.com

United States • United Kingdom • Germany • Nordic • France • Italy • Spain

www.glenair.com



## PRODUCT FEATURES

- Ideally Suited for Termination of Individually Shielded Wire Media
- Patented Glenair Technology
- Rotatable, Self-Locking and Direct Couplings
- Standard, Low and Ultra-Low Profile Designs
- Straight, 45°, 90° and Split Shell Configurations
- Selection of Strain-Relief Designs
- Optional Overall Cable Shield Termination
- Banding Platform Designs
- Environmental Designs
- Optional Shrink Boots

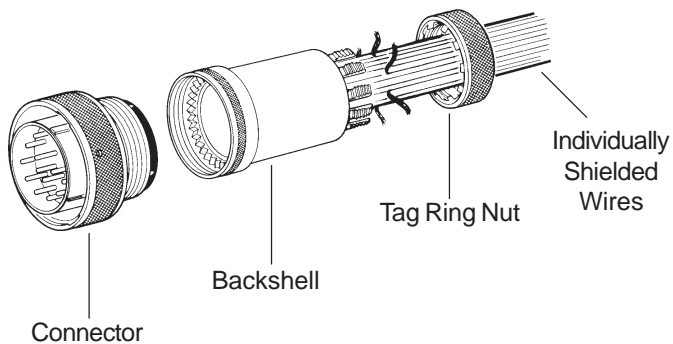
## Patented Glenair TAG® Ring Backshells

***Versatile system available with full range of cable sealing and EMI/RFI options—including shrink boots, banding platforms and full immersion cable sealing***

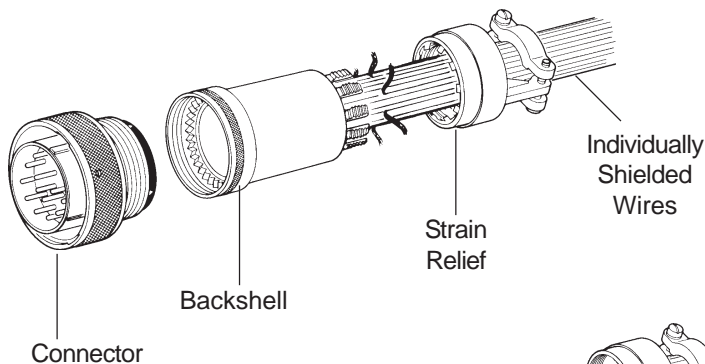
Glenair's TAG® Ring backshells offer a unique and reliable method of terminating individually shielded wires where the shields are to be grounded through the backshell and connector shell. Straight and angled designs are available. No special tools are required for assembly and full maintainability is provided.

## EXPLODED VIEWS: GLENAIR TAG RING BACKSHELLS

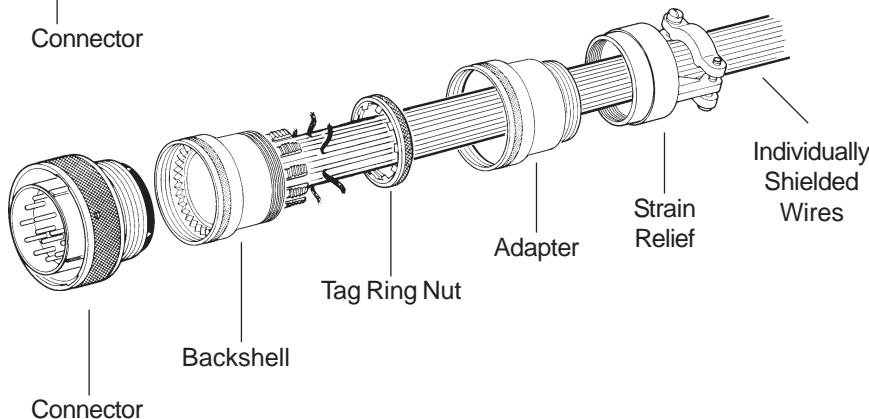
Glenair's TAG® Ring backshells offer a unique and reliable method of terminating individually shielded wires in a cable or harness, where the shields are to be grounded through the backshell and connector shell. Shields are terminated using either a self-pigtailing technique or separate ground wires which are entrapped and grounded in the castellated slots in the TAG® Ring body by a gold-plated spring member. No special tools are needed for assembly, and the design assures repairability and maintainability of the connector-to-backshell cable or harness termination.



The basic TAG® Ring backshell is intended for light-duty application where individually shielded wires must be grounded through the backshell and connector. Each slot in the TAG® Ring body will accommodate up to .180 (4.6 mm) thickness of braid or ground wires.



TAG® Ring backshells can be supplied with strain relief clamps, including a light weight (Style G) nut and two style of saddle-bar clamps.



TAG® Ring backshells can be supplied with additional functions such as overall EMI/RFI shield termination (Product Series 38), cable sealing provisions (Product Series 37), or a combination of these functions (Product Series 39). The use of the TAG® Ring for terminating individually shielded wires in conjunction with other backshell functions offers full maintainability and repairability of the connector-cable-backshell termination.

For individual isolated shields, see part number MS27741.  
 TAG® Ring is a registered trademark of Glenair, Inc.  
 US Patent No. 3,465,092

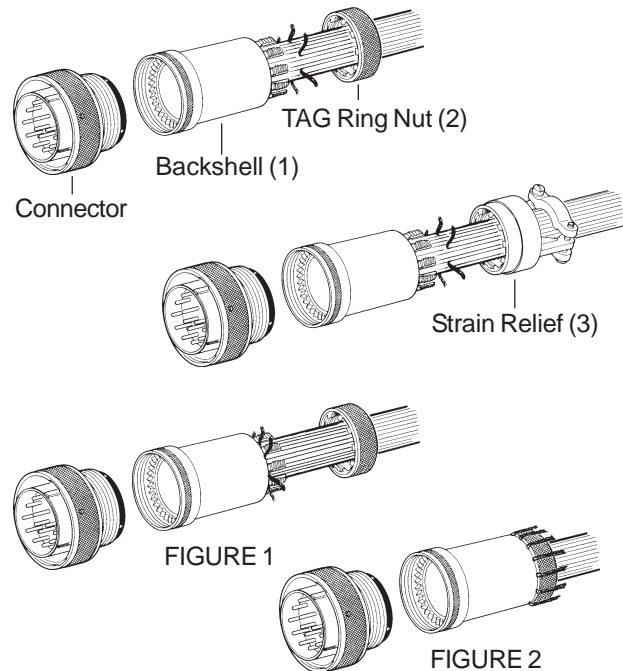
## ASSEMBLY INSTRUCTIONS 40-1

The following suggested procedure serves as a guide for proper assembly and installation of Glenair TAG® Ring Backshells. Actual termination and assembly methods will depend on the accepted techniques of the user. It is recommended that trial samples of appropriate cables or harnesses be used to determine proper trim dimensions of the conductor shields and individual conductors.

These instructions are based on using a self-pigtailing technique for the individual shields, with the location at which the conductors are extracted through the shields to be determined by the particular connector involved, as well as backshell length.

Solder sleeves and ground wires may be used as an alternate method of commonly grounding the individual conductor shields. A slight alteration of the following instructions will permit easy termination of these ground wires.

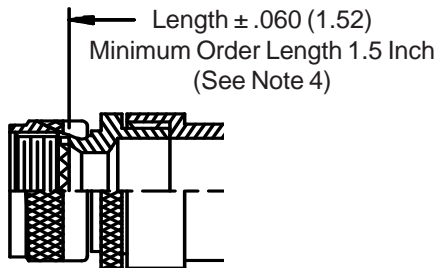
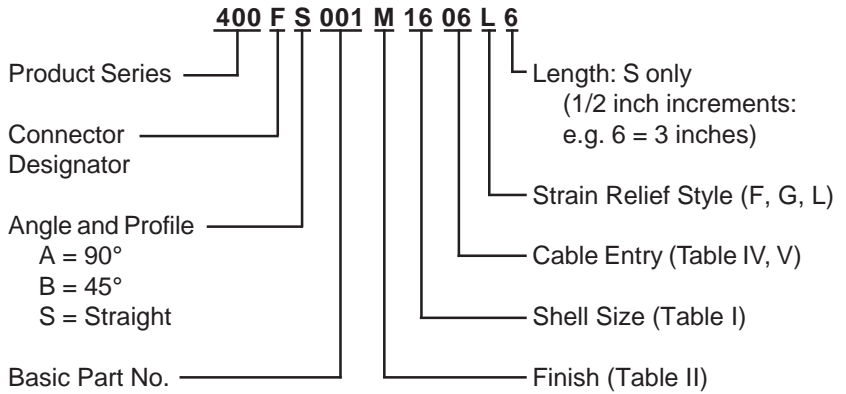
- a. Measure length of backshell (1) and determine length of conductor needed to terminate to connector and locate shield pigtails approximately adjacent to the slotted portion of the TAG® Ring backshell.
- b. Place backshell (1) and TAG® Ring nut (2) or strain relief (3) on wire bundle. Keep these components at a convenient distance from the end of the wire bundle so they will not interfere with subsequent assembly steps.
- c. If shielded conductors have an outer jacket, strip jacket to desired length. Extract conductors through shield at locations determined in step (a). Flatten shield pigtails and temporarily tie pigtails flat against wire bundle, with pigtail ends facing away from the connector.
- d. Prepare and terminate conductors to connector in accordance with established practices.
- e. Assemble backshell (1) to connector and tighten securely.
- f. Remove temporary tie from pigtails and flare flattened shields outward from wire bundle. Distribute shields as uniformly as possible among TAG® Ring backshell slots as shown in Figure 1. Grounding spring in TAG® Ring nut (2) or strain relief (3) compensates for differences in shield thickness of at least .020 inch (0.5 mm) between adjacent slots. If necessary, double back shields to achieve uniform shield thickness between adjacent slots.



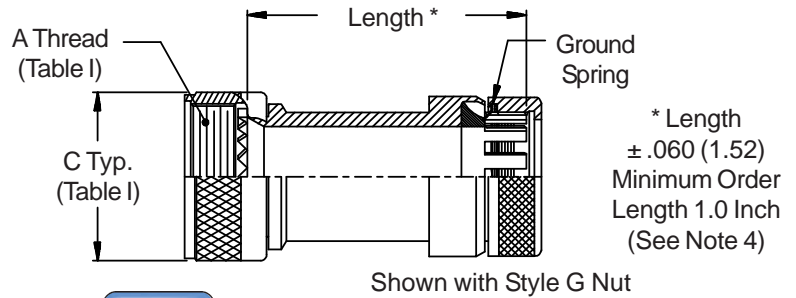
- g. With shields in place in TAG® Ring backshell slots, engage TAG® Ring nut (2) or strain relief (3), aligning grounding spring tabs with slots. Tighten nut securely.
- h. Exposed shields may be trimmed flush with surface of TAG® Ring nut or strain relief body. However, if future repairability is desired, it is suggested that at least 1 to 2 inches (25 to 50 mm) of extra shield length be preserved. Simply lay the flattened shields against surface of the TAG® Ring nut and tie behind the nut against wire bundle as in Figure 2. If strain relief (3) is used, shield ends can be held in position under strain relief saddles.
- j. If desired, heat shrinkable sleeving may be installed over TAG® Ring nut to hold shields in place and to serve as a protective covering and strain relief.

NOTE: As with any electrical connector assembly procedure, be sure to use the proper tools. For convenient, reliable assembly of the connector and backshell, it is suggested that Glenair's connector holding tools, strap wrenches and connector pliers be used.

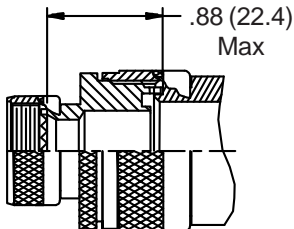
**CONNECTOR  
 DESIGNATORS  
 A-F-H-L-S  
 ROTATABLE  
 COUPLING**



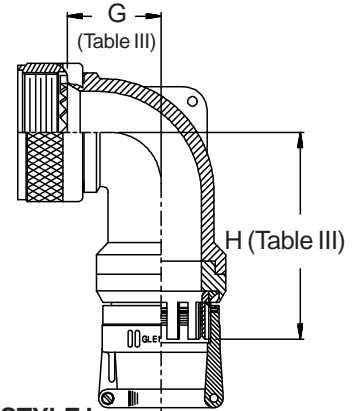
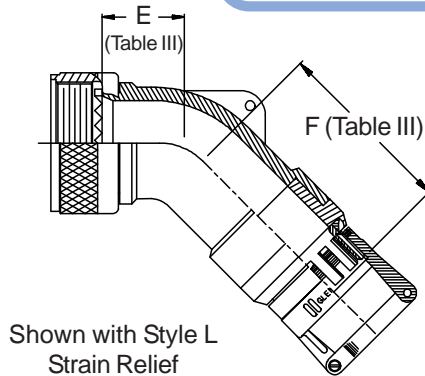
**STYLE 2  
 (STRAIGHT)**  
 See Note 1)



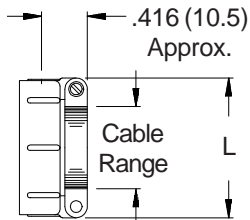
**-445** Add "-445" to Specify Glenair's Non-Detent, ("NESTOR") Spring-Loaded, Self-Locking Coupling. See Page 41 for Details.



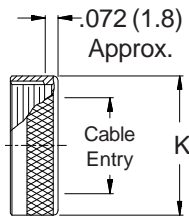
**STYLE 2  
 (45° & 90°)**  
 See Note 1)



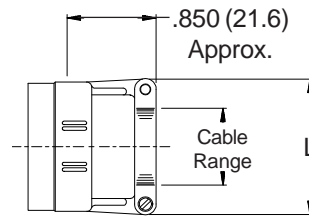
**STYLE F  
 Light Duty**  
 (Table V)



**STYLE G  
 Light Duty**  
 (Table IV)



**STYLE L  
 Light Duty**  
 (Table V)



**400-001**  
**TAG® Ring Backshell**  
 with Strain Relief  
 Rotatable Coupling - Low Profile



See inside back cover  
 fold-out or pages 13 and  
 14 for Tables I and II.

**TABLE III: ELBOW DIMENSIONS**

Shell Size		E		F		G		H	
Conn. Desig.	H	Max		Max		Max		Max	
A-F-L-S									
08	09	.457	(11.6)	1.660	(42.2)	.500	(12.7)	1.670	(42.4)
10	11	.520	(13.2)	1.720	(43.7)	.595	(15.1)	1.790	(45.5)
12	13	.582	(14.8)	1.780	(45.2)	.610	(15.5)	1.810	(46.0)
14	15	.645	(16.4)	1.870	(47.5)	.700	(17.8)	1.880	(47.8)
16	17	.738	(18.7)	1.980	(50.3)	.885	(22.5)	1.970	(50.0)
18	19	.926	(23.5)	2.170	(55.1)	.975	(24.8)	2.140	(54.4)
20	21	.926	(23.5)	2.170	(55.1)	.975	(24.8)	2.140	(54.4)
22	23	1.020	(25.9)	2.320	(58.9)	1.125	(28.6)	2.250	(57.2)
24	25	1.020	(25.9)	2.320	(58.9)	1.125	(28.6)	2.250	(57.2)
28		1.145	(29.1)	2.370	(60.2)	1.225	(31.1)	2.420	(61.5)
32		1.207	(30.7)	2.470	(62.7)	1.575	(40.0)	2.670	(67.8)
36		1.238	(31.4)	2.560	(65.0)	1.775	(45.1)	2.670	(67.8)

**TABLE IV: CABLE ENTRY**

Dash No.	K Max	Cable Entry Max
02	.545 (13.8)	.250 (6.4)
03	.670 (17.0)	.375 (9.5)
04	.795 (20.2)	.500 (12.7)
05	.920 (23.4)	.625 (15.9)
06	1.045 (26.5)	.750 (19.1)
07	1.170 (29.7)	.875 (22.2)
08	1.295 (32.9)	1.000 (25.4)
09	1.420 (36.1)	1.125 (28.6)
10	1.670 (42.4)	1.250 (31.8)

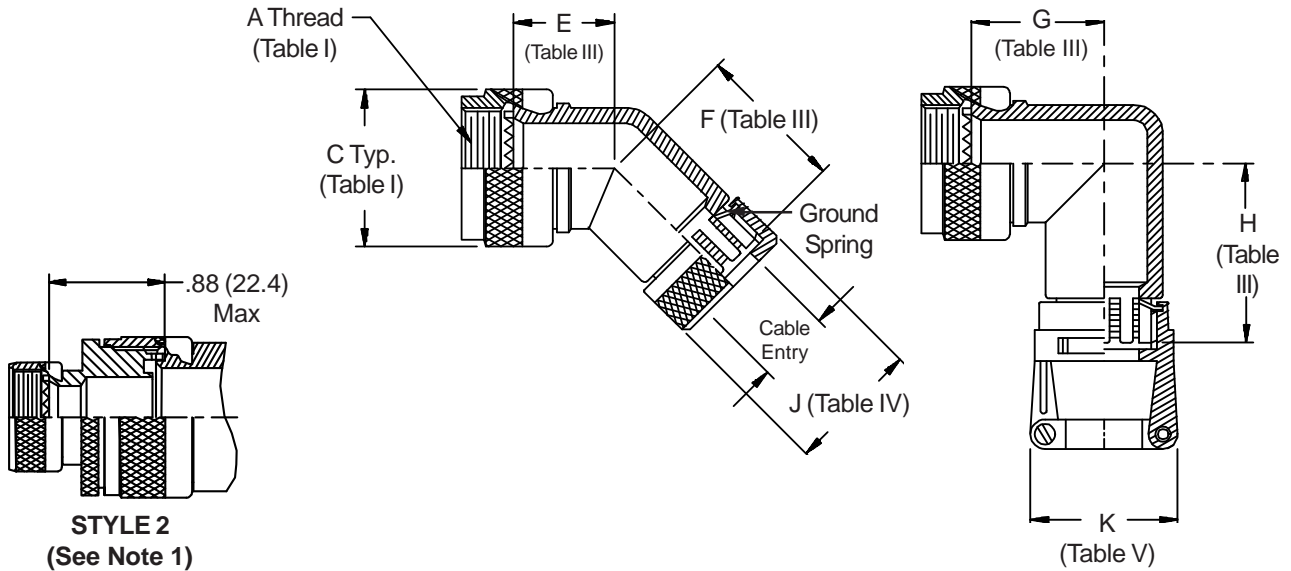
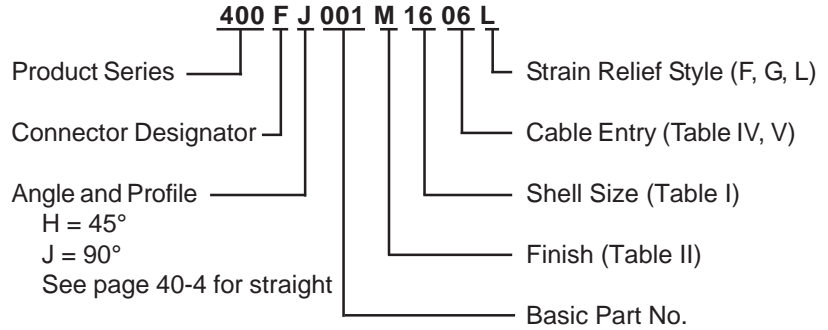
**TABLE V: CABLE ENTRY**

Dash No.	L Max	Cable Range	
		Min	Max
02	.968 (24.6)	.125 (3.2)	.250 (6.4)
03	1.046 (26.6)	.250 (6.4)	.375 (9.5)
04	1.156 (29.4)	.250 (6.4)	.500 (12.7)
05	1.218 (30.9)	.375 (9.5)	.625 (15.9)
06	1.343 (34.1)	.500 (12.7)	.750 (19.1)
07	1.468 (37.3)	.625 (15.9)	.875 (22.2)
08	1.593 (40.5)	.625 (15.9)	1.000 (25.4)
09	1.718 (43.6)	.750 (19.1)	1.125 (28.6)
10	1.843 (46.8)	.875 (22.2)	1.250 (31.8)

1. When maximum cable entry (page 21) is exceeded, Style 2 will be supplied. Dimensions E, F, G and H will not apply. Please consult factory.
2. Metric dimensions (mm) are indicated in parentheses.
3. Cable range is defined as the accommodations range for the wire bundle or cable. Dimensions shown are not intended for inspection criteria.
4. Consult factory for shorter lengths on straight backshells.



**CONNECTOR  
 DESIGNATORS  
 A-F-H-L-S**  
**ROTATABLE  
 COUPLING**



**400-001**  
**TAG® Ring Backshell**  
with Strain Relief  
Rotatable Coupling - Standard Profile



See inside back cover  
fold-out or pages 13 and  
14 for Tables I and II.

TABLE III: ELBOW DIMENSIONS									
Shell Size		E		F		G		H	
Conn. Desig.	H	Max		Max		Max		Max	
A-F-L-S									
08	09	.639	(16.2)	1.510	(38.4)	.750	(19.1)	1.620	(41.1)
10	11	.664	(16.9)	1.540	(39.1)	.810	(20.6)	1.680	(42.7)
12	13	.688	(17.5)	1.560	(39.6)	.870	(22.1)	1.740	(44.2)
14	15	.705	(17.9)	1.590	(40.4)	.920	(23.4)	1.810	(46.0)
16	17	.732	(18.6)	1.610	(40.9)	.980	(24.9)	1.870	(47.5)
18	19	.748	(19.0)	1.620	(41.1)	1.020	(25.9)	1.890	(48.0)
20	21	.773	(19.6)	1.640	(41.7)	1.080	(27.4)	1.950	(49.5)
22	23	.800	(20.3)	1.680	(42.7)	1.140	(29.0)	2.030	(51.6)
24	25	.823	(20.9)	1.710	(43.4)	1.200	(30.5)	2.100	(53.3)

TABLE IV: CABLE ENTRY			
Dash No.	J Max	Cable Entry Max	
02	.545 (13.8)	.250	(6.4)
03	.670 (17.0)	.375	(9.5)
04	.795 (20.2)	.500	(12.7)
05	.920 (23.4)	.625	(15.9)
06	1.045 (26.5)	.750	(19.1)
07	1.170 (29.7)	.875	(22.2)
08	1.295 (32.9)	1.000	(25.4)
09	1.420 (36.1)	1.125	(28.6)
10	1.670 (42.4)	1.250	(31.8)

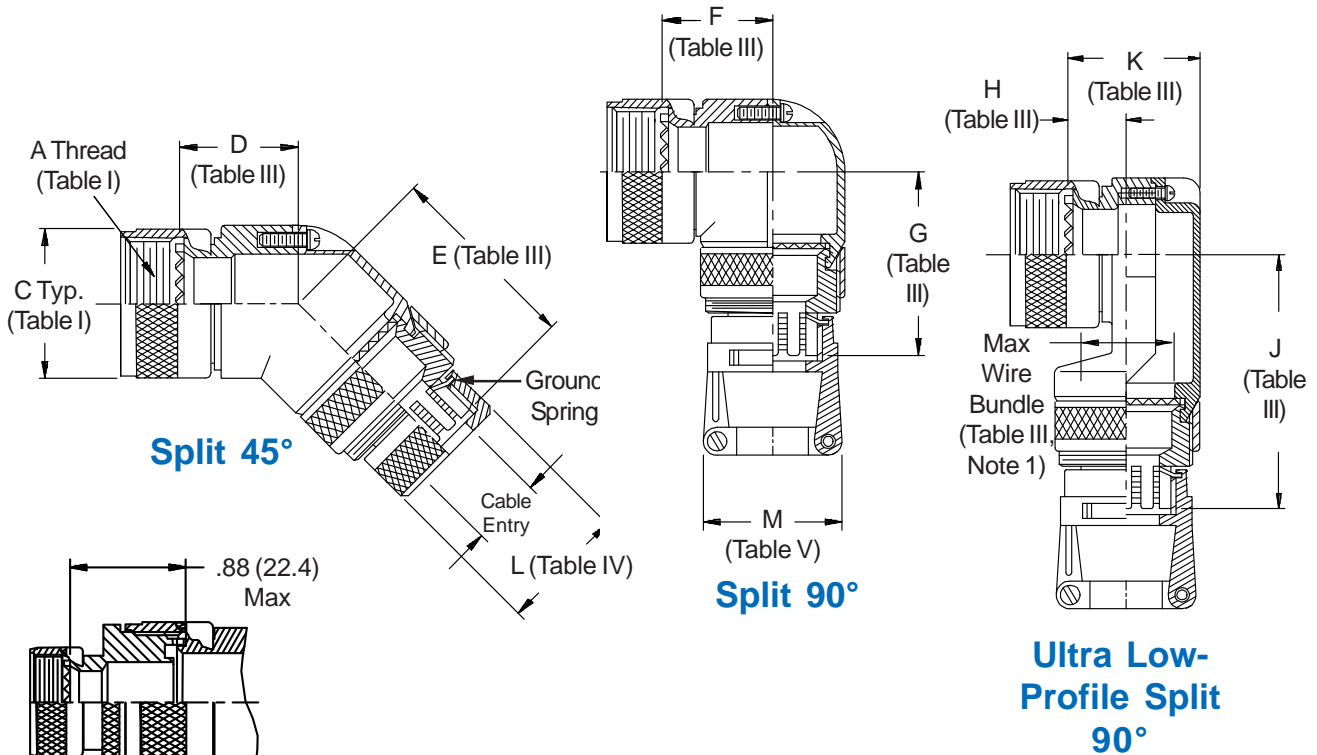
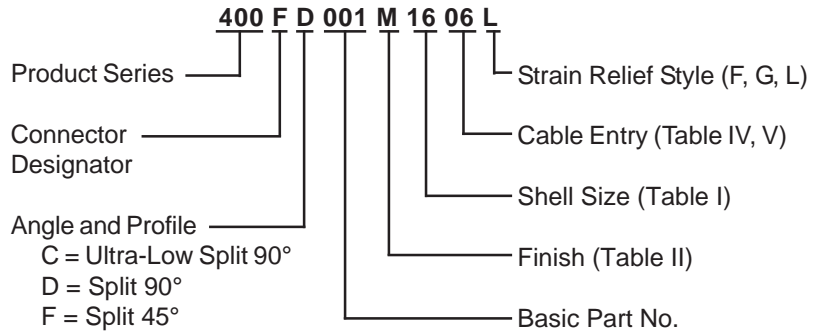
TABLE V: CABLE ENTRY				
Dash No.	K Max	Cable Range		
		Min	Max	
02	.968 (24.6)	.125 (3.2)	.250	(6.4)
03	1.046 (26.6)	.250 (6.4)	.375	(9.5)
04	1.156 (29.4)	.250 (6.4)	.500	(12.7)
05	1.218 (30.9)	.375 (9.5)	.625	(15.9)
06	1.343 (34.1)	.500 (12.7)	.750	(19.1)
07	1.468 (37.3)	.625 (15.9)	.875	(22.2)
08	1.593 (40.5)	.625 (15.9)	1.000	(25.4)
09	1.718 (43.6)	.750 (19.1)	1.125	(28.6)
10	1.843 (46.8)	.875 (22.2)	1.250	(31.8)

1. When maximum cable entry (page 21) is exceeded, Style 2 will be supplied. Dimensions E, F, G and H will not apply. Please consult factory.
2. Metric dimensions (mm) are indicated in parentheses.
3. Cable range is defined as the accommodations range for the wire bundle or cable. Dimensions shown are not intended for inspection criteria.
4. -445 modification not available for MIL-DTL-38999 Series II.

-445

Add "-445" to Specify Glenair's Non-Detent, ("NESTOR") Spring-Loaded, Self-Locking Coupling. See Page 41 for Details.

**CONNECTOR  
 DESIGNATORS  
 A-F-H-L-S  
 ROTATABLE  
 COUPLING**

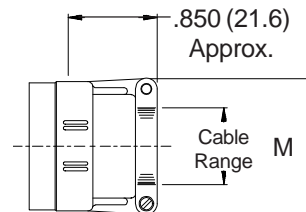
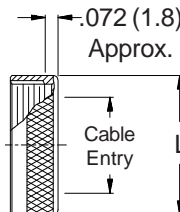
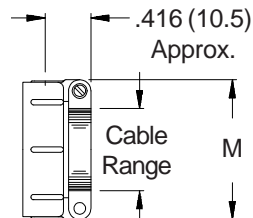


**STYLE 2**  
 (See Note 1)

**STYLE F**  
 Light Duty  
 (Table V)

**STYLE G**  
 Light Duty  
 (Table IV)

**STYLE L**  
 Light Duty  
 (Table V)



**400-001**  
**TAG® Ring Backshell**  
with Strain Relief  
Rotatable Coupling - Split Shell



See inside back cover fold-out or pages 13 and 14 for Tables I and II.

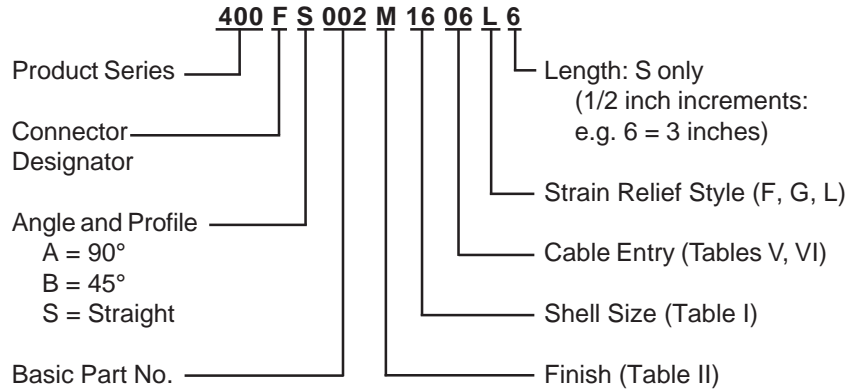
TABLE III: DIMENSIONS								
Shell Size	D Max	E Max	F Max	G Max	H Ref	J Max	K Max	Function C Max Wire Bundle
08/09	.440 (11.2)	1.500 (38.1)	.680 (17.3)	1.440 (36.6)	.340 (8.6)	2.060 (52.3)	.681 (17.3)	.250 (6.4)
10/11	.500 (12.7)	1.560 (39.6)	.750 (19.1)	1.500 (38.1)	.270 (6.9)	2.220 (56.4)	.731 (18.6)	.375 (9.5)
12/13	.560 (14.2)	1.630 (41.4)	.810 (20.6)	1.570 (39.9)	.270 (6.9)	2.220 (56.4)	.731 (18.6)	.375 (9.5)
14/15	.620 (15.7)	1.660 (42.2)	.870 (22.1)	1.600 (40.6)	.280 (7.1)	2.290 (58.2)	.831 (21.1)	.500 (12.7)
16/17	.680 (17.3)	1.760 (44.7)	.930 (23.6)	1.700 (43.2)	.420 (10.7)	2.340 (59.4)	.981 (24.9)	.625 (15.9)
18/19	.750 (19.1)	1.820 (46.2)	1.000 (25.4)	1.760 (44.7)	.640 (16.3)	2.370 (60.2)	1.181 (30.0)	.625 (15.9)
20/21	.820 (20.8)	1.880 (47.8)	1.060 (26.9)	1.820 (46.2)	.640 (16.3)	2.370 (60.2)	1.181 (30.0)	.625 (15.9)
22/23	.880 (22.4)	1.940 (49.3)	1.120 (28.4)	1.880 (47.8)	.540 (13.7)	2.520 (64.0)	1.181 (30.0)	.750 (19.1)
24/25	.940 (23.9)	2.000 (50.8)	1.180 (30.0)	1.940 (49.3)	.540 (13.7)	2.520 (64.0)	1.181 (30.0)	.750 (19.1)

TABLE IV: CABLE ENTRY		
Dash No.	L Max	Cable Entry Max
02	.545 (13.8)	.250 (6.4)
03	.670 (17.0)	.375 (9.5)
04	.795 (20.2)	.500 (12.7)
05	.920 (23.4)	.625 (15.9)
06	1.045 (26.5)	.750 (19.1)
07	1.170 (29.7)	.875 (22.2)
08	1.295 (32.9)	1.000 (25.4)
09	1.420 (36.1)	1.125 (28.6)
10	1.670 (42.4)	1.250 (31.8)

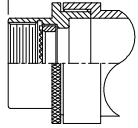
TABLE V: CABLE ENTRY				
Dash No.	M Max	Cable Range		
		Min	Max	
02	.968 (24.6)	.125 (3.2)	.250 (6.4)	.375 (9.5)
03	1.046 (26.6)	.250 (6.4)	.375 (9.5)	.500 (12.7)
04	1.156 (29.4)	.250 (6.4)	.500 (12.7)	.625 (15.9)
05	1.218 (30.9)	.375 (9.5)	.625 (15.9)	.750 (19.1)
06	1.343 (34.1)	.500 (12.7)	.750 (19.1)	.875 (22.2)
07	1.468 (37.3)	.625 (15.9)	.875 (22.2)	1.000 (25.4)
08	1.593 (40.5)	.625 (15.9)	1.000 (25.4)	1.125 (28.6)
09	1.718 (43.6)	.750 (19.1)	1.125 (28.6)	1.250 (31.8)
10	1.843 (46.8)	.875 (22.2)	1.250 (31.8)	

1. When maximum cable entry (page 21) is exceeded, Style 2 will be supplied (not available in Function C). Dimensions D, E, F and G will not apply. Please consult factory.
2. Metric dimensions (mm) are indicated in parentheses.
3. Cable range is defined as the accommodations range for the wire bundle or cable. Dimensions shown are not intended for inspection criteria.
4. Angular function "C", low-profile split elbow, not available with "S" connector designator.

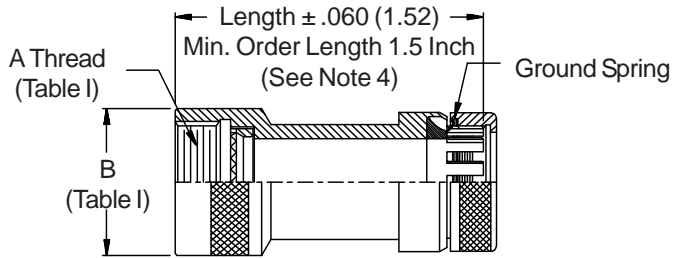
**CONNECTOR DESIGNATORS**  
**A-B\*-C-D-E-F**  
**G-H-J-K-L-S**  
 \* Conn. Desig. B See Note 5  
**DIRECT COUPLING**



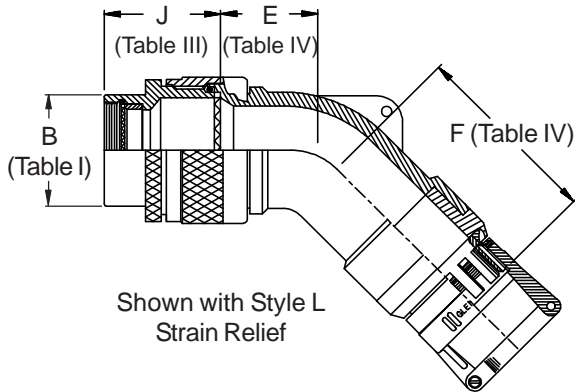
Length ± .060 (1.52)  
 Min. Order Length 2.0 Inch  
 (See Note 4)



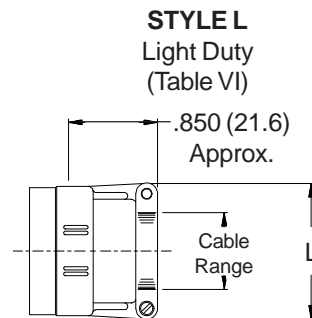
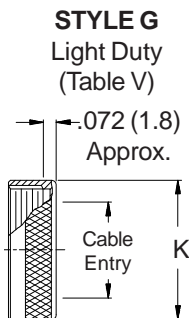
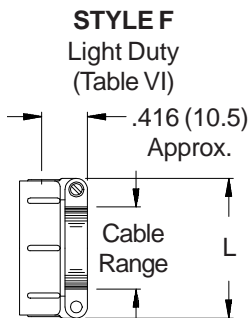
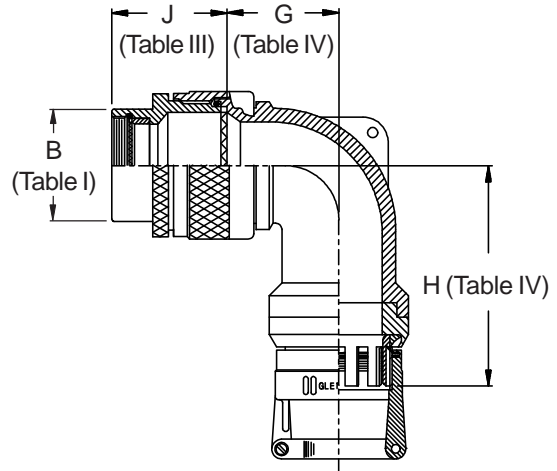
**STYLE 2**  
**(STRAIGHT)**  
 See Note 1)



Shown with Style G Nut



Shown with Style L Strain Relief



**400-002**  
**TAG® Ring Backshell**  
with Strain Relief  
Direct Coupling - Low Profile



**TABLE III: FRONT ADAPTER**

Shell Size	J Max - Conn. Designator		
	A-D-E-F		
	J-H-L-S	B-G-K	C
08/09	1.000 (25.4)	1.250 (31.8)	
10/11	1.000 (25.4)	1.250 (31.8)	
12/13	1.000 (25.4)	1.250 (31.8)	1.735 (44.1)
14/15	1.000 (25.4)	1.250 (31.8)	1.915 (48.6)
16/17	1.000 (25.4)	1.416 (36.0)	1.915 (48.6)
18/19	1.000 (25.4)	1.416 (36.0)	1.915 (48.6)
20/21	1.000 (25.4)	1.416 (36.0)	1.915 (48.6)
22/23	1.000 (25.4)	1.416 (36.0)	1.915 (48.6)
24/25	1.000 (25.4)	1.416 (36.0)	1.915 (48.6)
28/29	1.000 (25.4)	1.416 (36.0)	1.915 (48.6)
32/33	1.000 (25.4)	1.416 (36.0)	1.915 (48.6)
36	1.000 (25.4)	1.416 (36.0)	1.915 (48.6)
40	1.000 (25.4)	1.687 (42.9)	1.915 (48.6)

**See inside back cover  
fold-out or pages 13 and  
14 for Tables I and II.**

1. When maximum cable entry (page 22) is exceeded, Style 2 will be supplied. (Function S only).
2. Metric dimensions (mm) are indicated in parentheses.
3. Cable range is defined as the accommodations range for the wire bundle or cable. Dimensions shown are not intended for inspection criteria.
4. Consult factory for shorter lengths on straight backshells.
5. When using Connector Designator B refer to pages 18 and 19 for part number development.

**TABLE IV: ELBOW DIMENSIONS**

Elbow Size	E Max	F Max	G Max	H Max
02	.630 (16.0)	1.720 (43.7)	.636 (16.2)	1.670 (42.4)
03	.630 (16.0)	1.720 (43.7)	.709 (18.0)	1.790 (45.5)
04	.692 (17.6)	1.780 (45.2)	.734 (18.6)	1.810 (46.0)
05	.755 (19.2)	1.870 (47.5)	.829 (21.1)	1.880 (47.8)
06	.848 (21.5)	1.970 (50.0)	.990 (25.1)	1.970 (50.0)
07	1.036 (26.3)	2.170 (55.1)	1.000 (25.4)	2.140 (54.4)
08	1.130 (28.7)	2.310 (58.7)	1.325 (33.7)	2.250 (57.2)
09	1.130 (28.7)	2.310 (58.7)	1.325 (33.7)	2.250 (57.2)
10	1.130 (28.7)	2.310 (58.7)	1.325 (33.7)	2.250 (57.2)

**TABLE V: CABLE ENTRY**

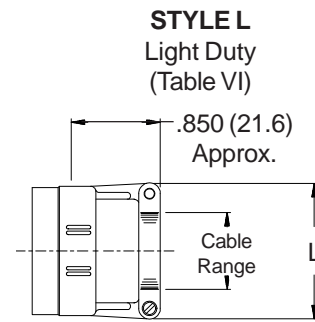
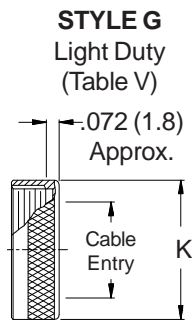
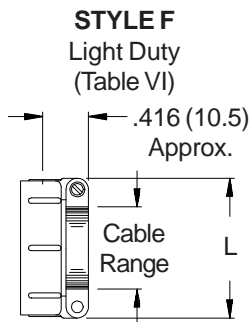
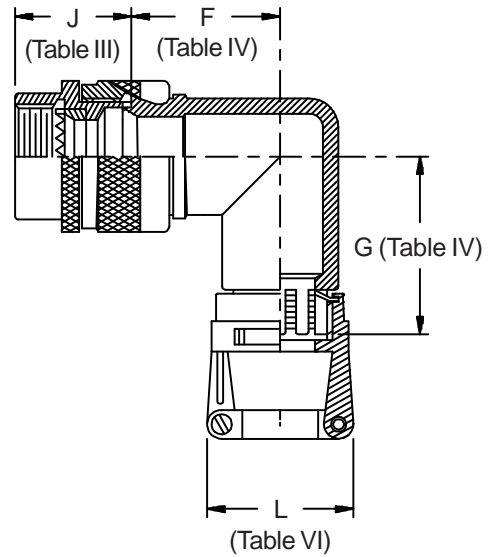
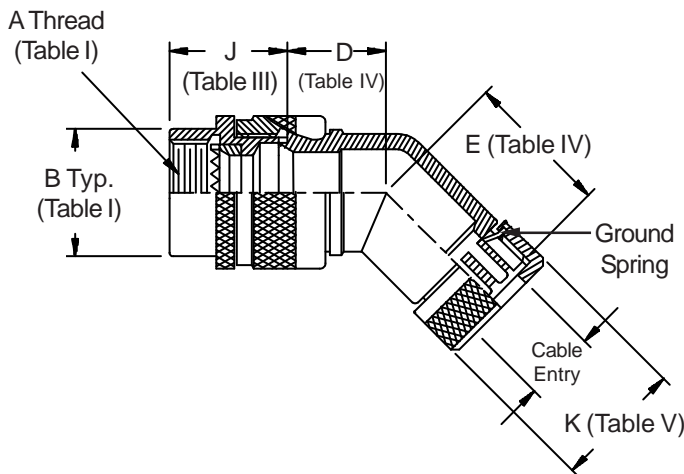
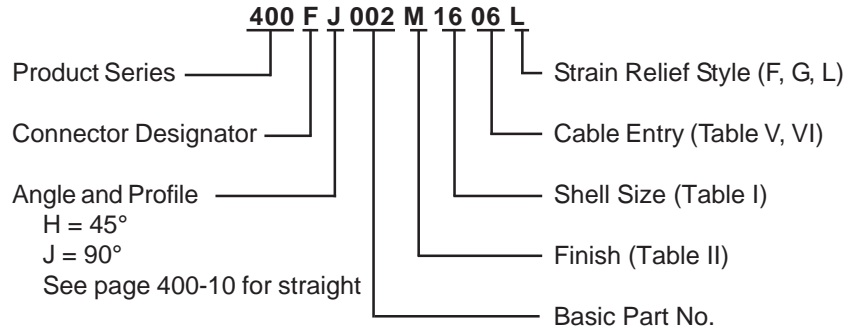
Dash No.	K Max	Cable Entry Max
02	.545 (13.8)	.250 (6.4)
03	.670 (17.0)	.375 (9.5)
04	.795 (20.2)	.500 (12.7)
05	.920 (23.4)	.625 (15.9)
06	1.045 (26.5)	.750 (19.1)
07	1.170 (29.7)	.875 (22.2)
08	1.295 (32.9)	1.000 (25.4)
09	1.420 (36.1)	1.125 (28.6)
10	1.670 (42.4)	1.250 (31.8)

**TABLE VI: CABLE ENTRY**

Dash No.	L Max	Cable Range	
		Min	Max
02	.968 (24.6)	.125 (3.2)	.250 (6.4)
03	1.046 (26.6)	.250 (6.4)	.375 (9.5)
04	1.156 (29.4)	.250 (6.4)	.500 (12.7)
05	1.218 (30.9)	.375 (9.5)	.625 (15.9)
06	1.343 (34.1)	.500 (12.7)	.750 (19.1)
07	1.468 (37.3)	.625 (15.9)	.875 (22.2)
08	1.593 (40.5)	.625 (15.9)	1.000 (25.4)
09	1.718 (43.6)	.750 (19.1)	1.125 (28.6)
10	1.843 (46.8)	.875 (22.2)	1.250 (31.8)



**CONNECTOR DESIGNATORS**  
**A-B\*-C-D-E-F**  
**G-H-J-K-L-S**  
 \* Conn. Desig. B See Note 3  
**DIRECT COUPLING**



**400-002**  
**TAG® Ring Backshell**  
with Strain Relief  
**Direct Coupling - Standard Profile**



**TABLE III: FRONT ADAPTER**

Shell Size	J Max - Conn. Designator		
	A-E-F	D-B-G-K	C
	J-H-L-S		
08/09	1.180 (30.0)	1.250 (31.8)	
10/11	1.180 (30.0)	1.250 (31.8)	
12/13	1.180 (30.0)	1.250 (31.8)	1.735 (44.1)
14/15	1.180 (30.0)	1.250 (31.8)	1.915 (48.6)
16/17	1.380 (35.0)	1.560 (39.6)	1.915 (48.6)
18/19	1.380 (35.0)	1.560 (39.6)	1.915 (48.6)
20/21	1.380 (35.0)	1.560 (39.6)	1.915 (48.6)
22/23	1.380 (35.0)	1.560 (39.6)	1.915 (48.6)
24/25	1.380 (35.0)	1.560 (39.6)	1.915 (48.6)
28/29	1.610 (40.9)	1.560 (39.6)	1.915 (48.6)
32/33	1.610 (40.9)	1.750 (44.5)	1.915 (48.6)
36	1.610 (40.9)	1.750 (44.5)	1.915 (48.6)
40	1.610 (40.9)	2.190 (55.6)	1.915 (48.6)

See inside back cover  
fold-out or pages 13 and  
14 for Tables I and II.

1. Metric dimensions (mm) are indicated in parentheses.
2. Cable range is defined as the accommodations range for the wire bundle or cable. Dimensions shown are not intended for inspection criteria.
3. When using Connector Designator B refer to pages 18 and 19 for part number development.

**TABLE IV: ELBOW DIMENSIONS**

Dash No.	D Max	E Max	F Max	G Max
02	.639 (16.2)	1.510 (38.4)	.750 (19.1)	1.620 (41.1)
03	.664 (16.9)	1.540 (39.1)	.810 (20.6)	1.680 (42.7)
04	.688 (17.5)	1.560 (39.6)	.870 (22.1)	1.740 (44.2)
05	.705 (17.9)	1.590 (40.4)	.920 (23.4)	1.810 (46.0)
06	.732 (18.6)	1.610 (40.9)	.980 (24.9)	1.870 (47.5)
07	.748 (19.0)	1.620 (41.1)	1.020 (25.9)	1.890 (48.0)
08	.773 (19.6)	1.640 (41.7)	1.080 (27.4)	1.950 (49.5)
09	.800 (20.3)	1.680 (42.7)	1.140 (29.0)	2.030 (51.6)
10	.823 (20.9)	1.710 (43.4)	1.200 (30.5)	2.100 (53.3)

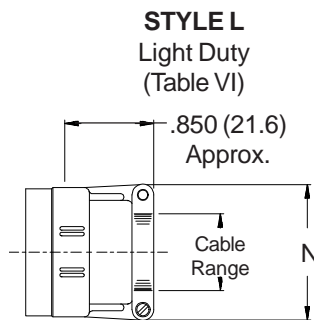
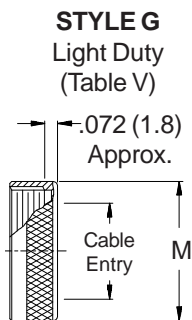
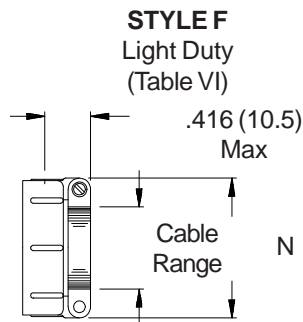
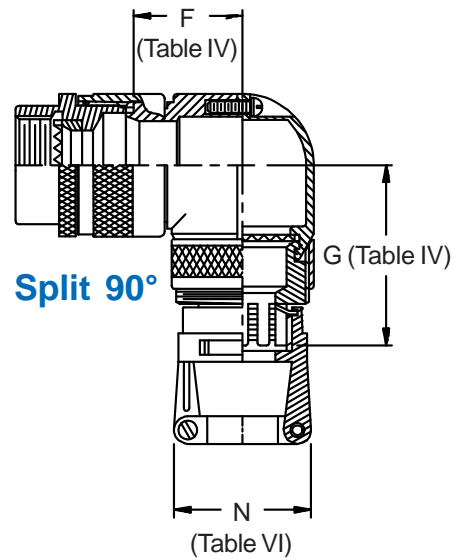
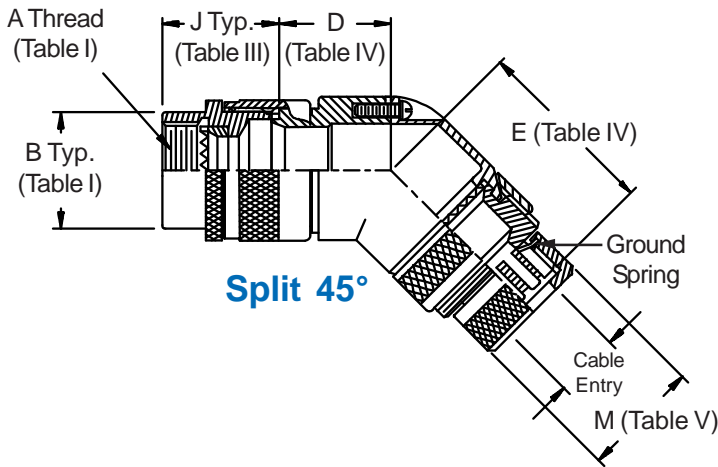
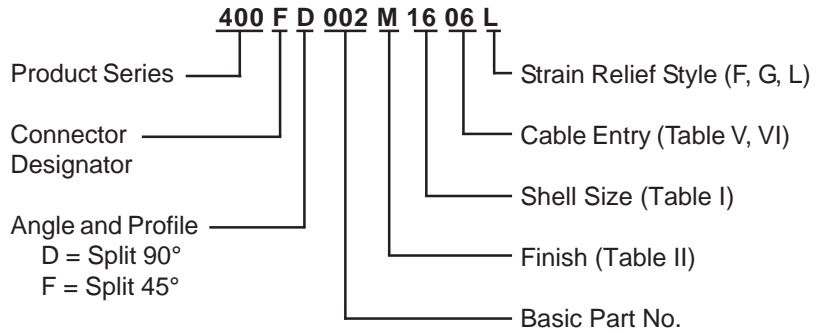
**TABLE V: CABLE ENTRY**

Dash No.	K Max	Cable Entry Max
02	.545 (13.8)	.250 (6.4)
03	.670 (17.0)	.375 (9.5)
04	.795 (20.2)	.500 (12.7)
05	.920 (23.4)	.625 (15.9)
06	1.045 (26.5)	.750 (19.1)
07	1.170 (29.7)	.875 (22.2)
08	1.295 (32.9)	1.000 (25.4)
09	1.420 (36.1)	1.125 (28.6)
10	1.670 (42.4)	1.250 (31.8)

**TABLE VI: CABLE ENTRY**

Dash No.	L Max	Cable Range	
		Min	Max
02	.968 (24.6)	.125 (3.2)	.250 (6.4)
03	1.046 (26.6)	.250 (6.4)	.375 (9.5)
04	1.156 (29.4)	.250 (6.4)	.500 (12.7)
05	1.218 (30.9)	.375 (9.5)	.625 (15.9)
06	1.343 (34.1)	.500 (12.7)	.750 (19.1)
07	1.468 (37.3)	.625 (15.9)	.875 (22.2)
08	1.593 (40.5)	.625 (15.9)	1.000 (25.4)
09	1.718 (43.6)	.750 (19.1)	1.125 (28.6)
10	1.843 (46.8)	.875 (22.2)	1.250 (31.8)

**CONNECTOR  
 DESIGNATORS**  
**A-B\*-C-D-E-F**  
**G-H-J-K-L-S**  
 \* Conn. Desig. B See Note 3  
**DIRECT COUPLING**



**400-002**  
**TAG® Ring Backshell**  
with Strain Relief  
**Direct Coupling - Split Shell**



**TABLE III: FRONT ADAPTER**

Shell Size	J Max - Conn. Designator		
	A-E-F		
	J-H-L-S	D-B-G-K	C
08/09	1.180 (30.0)	1.250 (31.8)	
10/11	1.180 (30.0)	1.250 (31.8)	
12/13	1.180 (30.0)	1.250 (31.8)	1.735 (44.1)
14/15	1.180 (30.0)	1.250 (31.8)	1.915 (48.6)
16/17	1.380 (35.0)	1.560 (39.6)	1.915 (48.6)
18/19	1.380 (35.0)	1.560 (39.6)	1.915 (48.6)
20/21	1.380 (35.0)	1.560 (39.6)	1.915 (48.6)
22/23	1.380 (35.0)	1.560 (39.6)	1.915 (48.6)
24/25	1.380 (35.0)	1.560 (39.6)	1.915 (48.6)
28/29	1.610 (40.9)	1.560 (39.6)	1.915 (48.6)
32/33	1.610 (40.9)	1.750 (44.5)	1.915 (48.6)
36	1.610 (40.9)	1.750 (44.5)	1.915 (48.6)
40	1.610 (40.9)	2.190 (55.6)	1.915 (48.6)

See inside back cover  
fold-out or pages 13 and  
14 for Tables I and II.

1. Metric dimensions (mm) are indicated in parentheses.
2. Cable range is defined as the accommodations range for the wire bundle or cable. Dimensions shown are not intended for inspection criteria.
3. When using Connector Designator B refer to pages 18 and 19 for part number development.

**TABLE IV: DIMENSIONS**

Dash No.	D Max	E Max	F Max	G Max
02	.440 (11.2)	1.500 (38.1)	.680 (17.3)	1.440 (36.6)
03	.500 (12.7)	1.560 (39.6)	.750 (19.1)	1.500 (38.1)
04	.560 (14.2)	1.630 (41.4)	.810 (20.6)	1.570 (39.9)
05	.620 (15.7)	1.660 (42.2)	.870 (22.1)	1.600 (40.6)
06	.680 (17.3)	1.760 (44.7)	.930 (23.6)	1.700 (43.2)
07	.750 (19.1)	1.820 (46.2)	1.000 (25.4)	1.760 (44.7)
08	.820 (20.8)	1.880 (47.8)	1.060 (26.9)	1.820 (46.2)
09	.880 (22.4)	1.940 (49.3)	1.120 (28.4)	1.880 (47.8)
10	.940 (23.9)	2.000 (50.8)	1.180 (30.0)	1.940 (49.3)

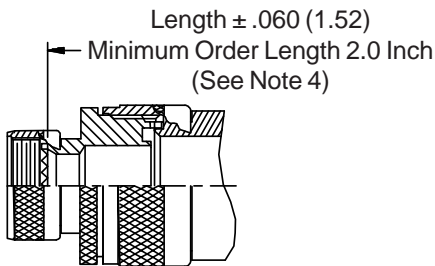
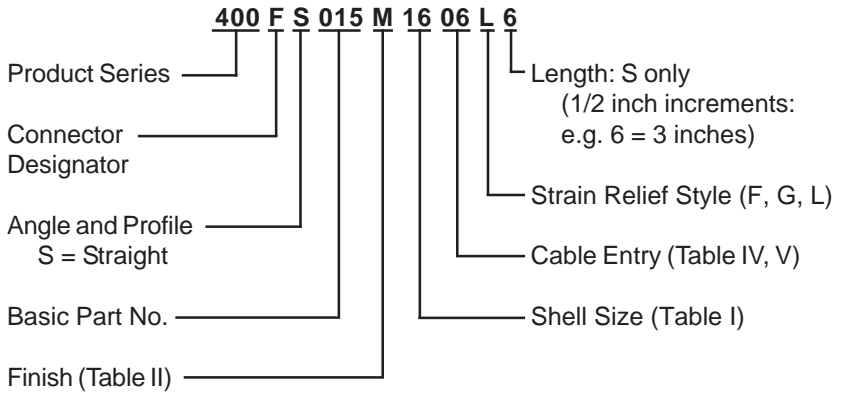
**TABLE V: CABLE ENTRY**

Dash No.	M Max	Cable Entry Max
02	.545 (13.8)	.250 (6.4)
03	.670 (17.0)	.375 (9.5)
04	.795 (20.2)	.500 (12.7)
05	.920 (23.4)	.625 (15.9)
06	1.045 (26.5)	.750 (19.1)
07	1.170 (29.7)	.875 (22.2)
08	1.295 (32.9)	1.000 (25.4)
09	1.420 (36.1)	1.125 (28.6)
10	1.670 (42.4)	1.250 (31.8)

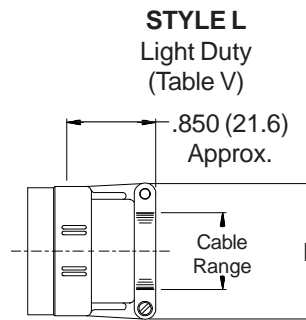
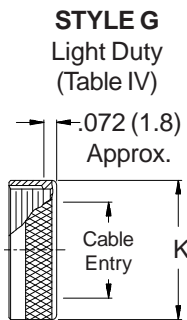
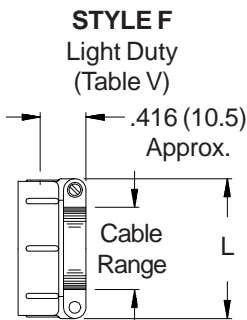
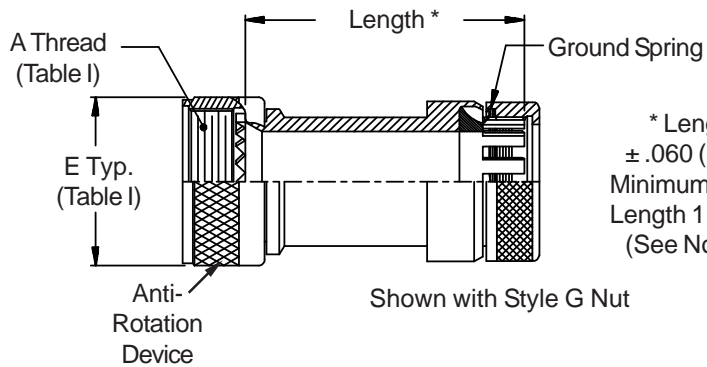
**TABLE VI: CABLE ENTRY**

Dash No.	N Max	Cable Range	
		Min	Max
02	.968 (24.6)	.125 (3.2)	.250 (6.4)
03	1.046 (26.6)	.250 (6.4)	.375 (9.5)
04	1.156 (29.4)	.250 (6.4)	.500 (12.7)
05	1.218 (30.9)	.375 (9.5)	.625 (15.9)
06	1.343 (34.1)	.500 (12.7)	.750 (19.1)
07	1.468 (37.3)	.625 (15.9)	.875 (22.2)
08	1.593 (40.5)	.625 (15.9)	1.000 (25.4)
09	1.718 (43.6)	.750 (19.1)	1.125 (28.6)
10	1.843 (46.8)	.875 (22.2)	1.250 (31.8)

**CONNECTOR  
 DESIGNATORS  
 A-F-H-L-S  
 SELF-LOCKING  
 ROTATABLE  
 COUPLING**



**STYLE 2  
 (STRAIGHT  
 See Note 1)**



**400-015**  
**TAG® Ring Backshell**  
 with Strain Relief  
 Self-Locking Rotatable Coupling - Straight Only



See inside back cover  
 fold-out or pages 13 and  
 14 for Tables I and II.

**TABLE IV: CABLE ENTRY**

Dash No.	K Max	Cable Entry Max
02	.545 (13.8)	.250 (6.4)
03	.670 (17.0)	.375 (9.5)
04	.795 (20.2)	.500 (12.7)
05	.920 (23.4)	.625 (15.9)
06	1.045 (26.5)	.750 (19.1)
07	1.170 (29.7)	.875 (22.2)
08	1.295 (32.9)	1.000 (25.4)
09	1.420 (36.1)	1.125 (28.6)
10	1.670 (42.4)	1.250 (31.8)

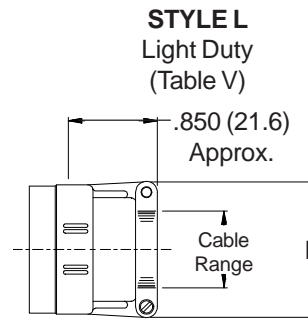
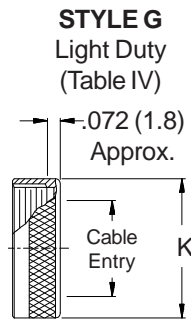
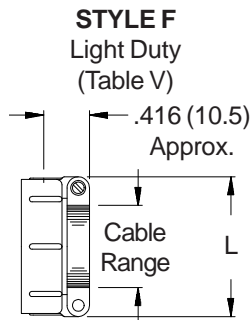
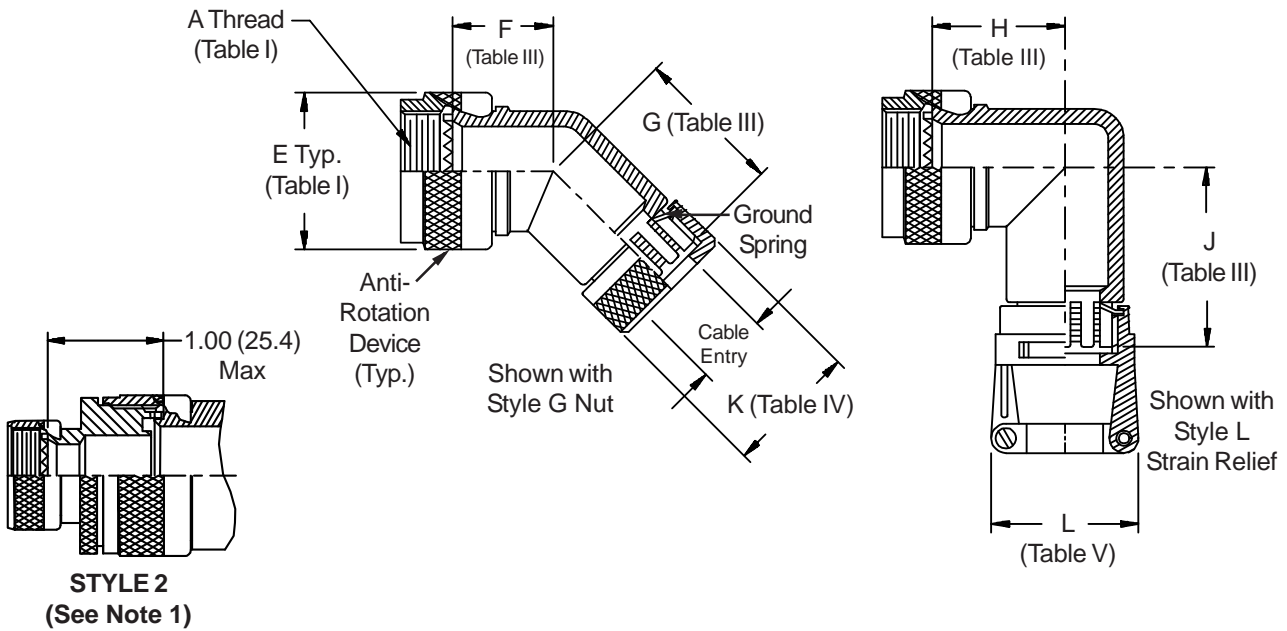
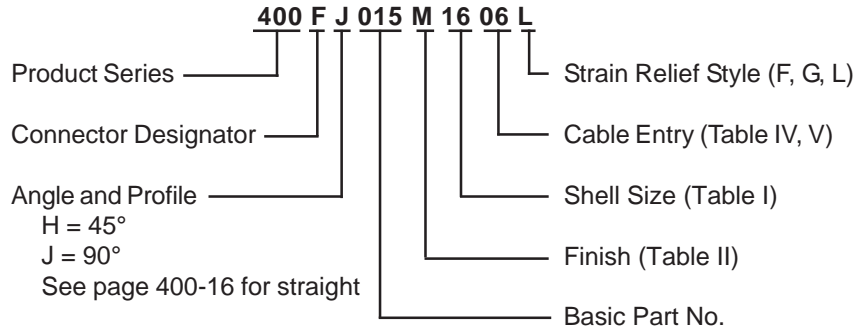
**TABLE V: CABLE ENTRY**

Dash No.	L Max	Cable Range	
		Min	Max
02	.968 (24.6)	.125 (3.2)	.250 (6.4)
03	1.046 (26.6)	.250 (6.4)	.375 (9.5)
04	1.156 (29.4)	.250 (6.4)	.500 (12.7)
05	1.218 (30.9)	.375 (9.5)	.625 (15.9)
06	1.343 (34.1)	.500 (12.7)	.750 (19.1)
07	1.468 (37.3)	.625 (15.9)	.875 (22.2)
08	1.593 (40.5)	.625 (15.9)	1.000 (25.4)
09	1.718 (43.6)	.750 (19.1)	1.125 (28.6)
10	1.843 (46.8)	.875 (22.2)	1.250 (31.8)

1. When maximum cable entry (page 21) is exceeded, Style 2 will be supplied. Please consult factory.
2. Metric dimensions (mm) are indicated in parentheses.
3. Cable range is defined as the accommodations range for the wire bundle or cable. Dimensions shown are not intended for inspection criteria.
4. Consult factory for shorter lengths on straight backshells.



**CONNECTOR DESIGNATORS**  
**A-F-H-L-S**  
**SELF-LOCKING**  
**ROTATABLE**  
**COUPLING**



**400-015**  
**TAG® Ring Backshell**  
with Strain Relief  
**Self-Locking Rotatable Coupling - Standard Profile**



See inside back cover  
fold-out or pages 13 and  
14 for Tables I and II.

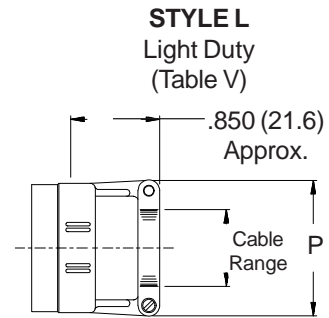
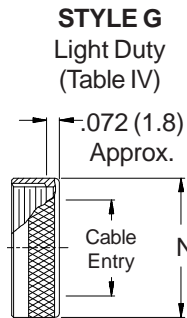
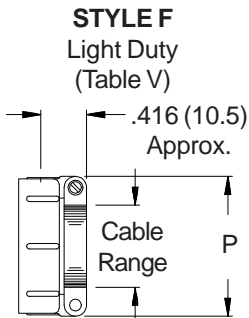
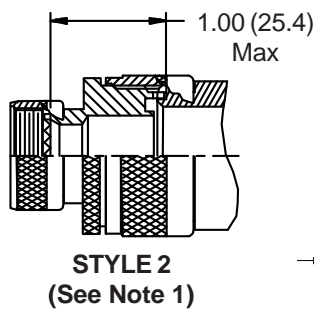
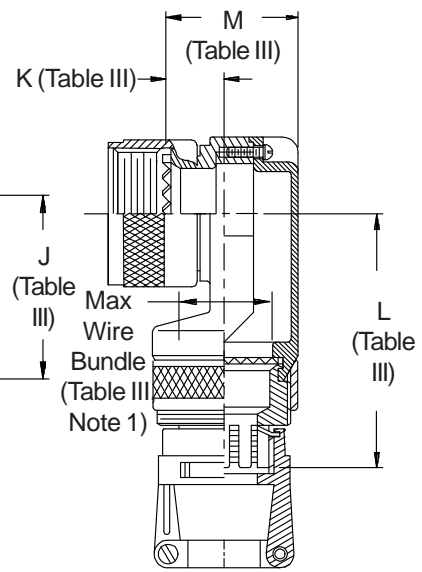
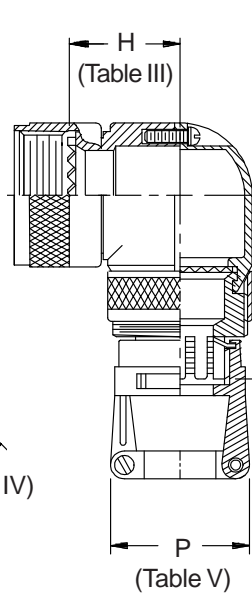
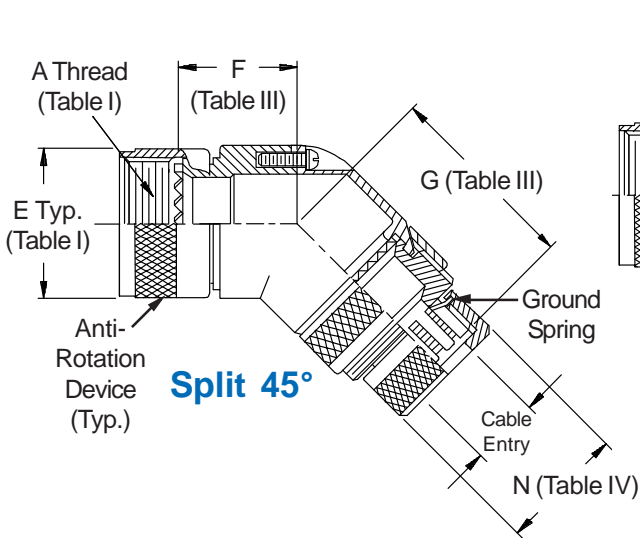
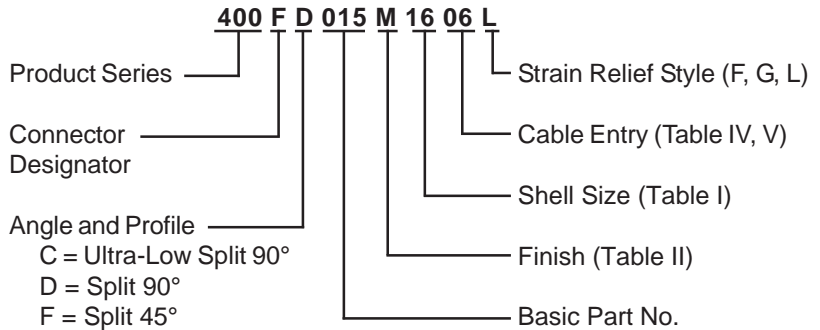
TABLE III: ELBOW DIMENSIONS						
Shell Size		F	G	H	J	
Conn. Desig.	H					
A-F-L-S		Max	Max	Max	Max	
08	09	.795 (20.2)	1.510 (38.4)	.906 (23.0)	1.620 (41.1)	
10	11	.820 (20.8)	1.540 (39.1)	.966 (24.5)	1.680 (42.7)	
12	13	.844 (21.4)	1.560 (39.6)	1.026 (26.1)	1.740 (44.2)	
14	15	.861 (21.9)	1.590 (40.4)	1.076 (27.3)	1.810 (46.0)	
16	17	.888 (22.6)	1.610 (40.9)	1.136 (28.9)	1.870 (47.5)	
18	19	.904 (23.0)	1.620 (41.1)	1.176 (29.9)	1.890 (48.0)	
20	21	.929 (23.6)	1.640 (41.7)	1.236 (31.4)	1.950 (49.5)	
22	23	.956 (24.3)	1.680 (42.7)	1.296 (32.9)	2.030 (51.6)	
24	25	.979 (24.9)	1.710 (43.4)	1.356 (34.4)	2.100 (53.3)	

TABLE IV: CABLE ENTRY			
Dash No.	K Max	Cable Entry Max	
02	.545 (13.8)	.250 (6.4)	
03	.670 (17.0)	.375 (9.5)	
04	.795 (20.2)	.500 (12.7)	
05	.920 (23.4)	.625 (15.9)	
06	1.045 (26.5)	.750 (19.1)	
07	1.170 (29.7)	.875 (22.2)	
08	1.295 (32.9)	1.000 (25.4)	
09	1.420 (36.1)	1.125 (28.6)	
10	1.670 (42.4)	1.250 (31.8)	

TABLE V: CABLE ENTRY				
Dash No.	L Max	Cable Range		
		Min	Max	
02	.968 (24.6)	.125 (3.2)	.250 (6.4)	
03	1.046 (26.6)	.250 (6.4)	.375 (9.5)	
04	1.156 (29.4)	.250 (6.4)	.500 (12.7)	
05	1.218 (30.9)	.375 (9.5)	.625 (15.9)	
06	1.343 (34.1)	.500 (12.7)	.750 (19.1)	
07	1.468 (37.3)	.625 (15.9)	.875 (22.2)	
08	1.593 (40.5)	.625 (15.9)	1.000 (25.4)	
09	1.718 (43.6)	.750 (19.1)	1.125 (28.6)	
10	1.843 (46.8)	.875 (22.2)	1.250 (31.8)	

1. When maximum cable entry (page 21) is exceeded, Style 2 will be supplied. Dimensions F, G, H and J will not apply. Please consult factory.
2. Metric dimensions (mm) are indicated in parentheses.
3. Cable range is defined as the accommodations range for the wire bundle or cable. Dimensions shown are not intended for inspection criteria.

**CONNECTOR DESIGNATORS**  
**A-F-H-L-S**  
**SELF-LOCKING**  
**ROTATABLE COUPLING**



See inside back cover  
fold-out or pages 13 and  
14 for Tables I and II.

**TABLE III: DIMENSIONS**

Shell Size	F Max	G Max	H Max	J Max	K Ref	L Max	M Max	Function C Max Wire Bundle
08/09	.596 (15.1)	1.500 (38.1)	.836 (21.2)	1.440 (36.6)	.496 (12.6)	2.060 (52.3)	.837 (21.3)	.250 (6.4)
10/11	.656 (16.7)	1.560 (39.6)	.906 (23.0)	1.500 (38.1)	.426 (10.8)	2.220 (56.4)	.887 (22.5)	.375 (9.5)
12/13	.716 (18.2)	1.630 (41.4)	.966 (24.5)	1.570 (39.9)	.426 (10.8)	2.220 (56.4)	.887 (22.5)	.375 (9.5)
14/15	.776 (19.7)	1.660 (42.2)	1.026 (26.1)	1.600 (40.6)	.436 (11.1)	2.290 (58.2)	.987 (25.1)	.500 (12.7)
16/17	.836 (21.2)	1.760 (44.7)	1.086 (27.6)	1.700 (43.2)	.576 (14.6)	2.340 (59.4)	1.137 (28.9)	.625 (15.9)
18/19	.906 (23.0)	1.820 (46.2)	1.156 (29.4)	1.760 (44.7)	.796 (20.2)	2.370 (60.2)	1.337 (34.0)	.625 (15.9)
20/21	.976 (24.8)	1.880 (47.8)	1.216 (30.9)	1.820 (46.2)	.796 (20.2)	2.370 (60.2)	1.337 (34.0)	.625 (15.9)
22/23	1.036 (26.3)	1.940 (49.3)	1.276 (32.4)	1.880 (47.8)	.696 (17.7)	2.520 (64.0)	1.337 (34.0)	.750 (19.1)
24/25	1.096 (27.8)	2.000 (50.8)	1.336 (33.9)	1.940 (49.3)	.696 (17.7)	2.520 (64.0)	1.337 (34.0)	.750 (19.1)

**TABLE IV: CABLE ENTRY**

Dash No.	N Max	Cable Entry Max
02	.545 (13.8)	.250 (6.4)
03	.670 (17.0)	.375 (9.5)
04	.795 (20.2)	.500 (12.7)
05	.920 (23.4)	.625 (15.9)
06	1.045 (26.5)	.750 (19.1)
07	1.170 (29.7)	.875 (22.2)
08	1.295 (32.9)	1.000 (25.4)
09	1.420 (36.1)	1.125 (28.6)
10	1.670 (42.4)	1.250 (31.8)

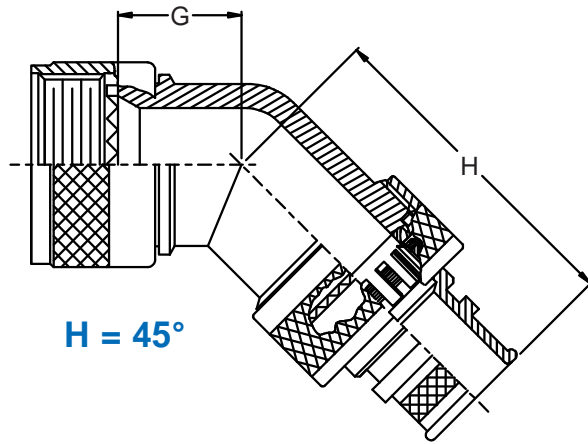
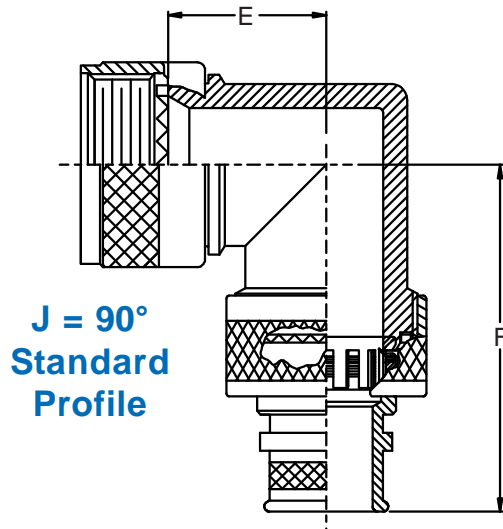
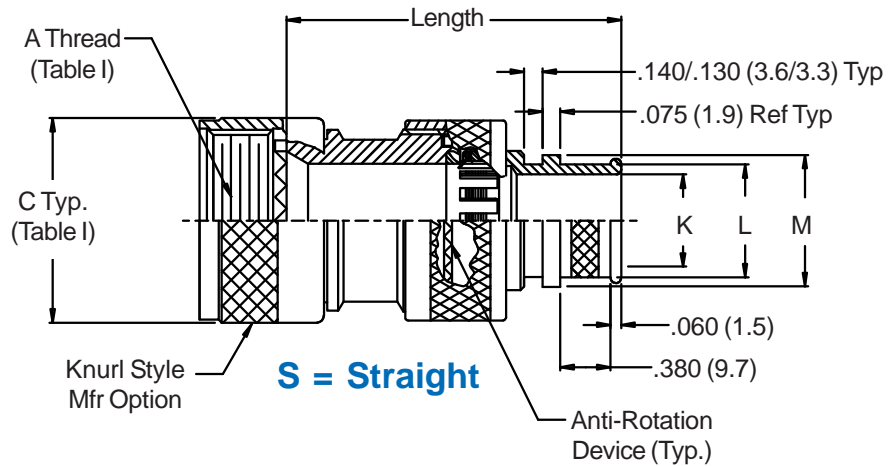
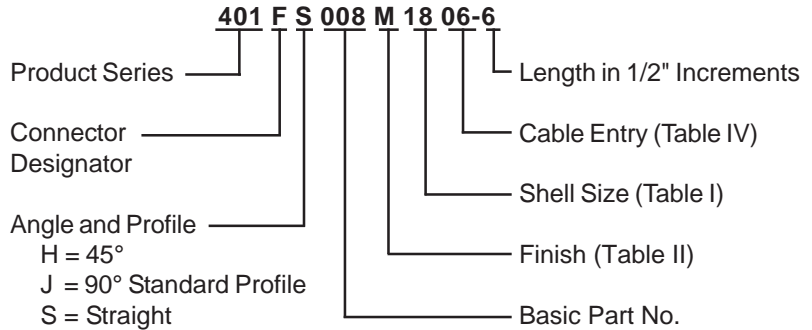
**TABLE V: CABLE ENTRY**

Dash No.	P Max	Cable Range	
		Min	Max
02	.968 (24.6)	.125 (3.2)	.250 (6.4)
03	1.046 (26.6)	.250 (6.4)	.375 (9.5)
04	1.156 (29.4)	.250 (6.4)	.500 (12.7)
05	1.218 (30.9)	.375 (9.5)	.625 (15.9)
06	1.343 (34.1)	.500 (12.7)	.750 (19.1)
07	1.468 (37.3)	.625 (15.9)	.875 (22.2)
08	1.593 (40.5)	.625 (15.9)	1.000 (25.4)
09	1.718 (43.6)	.750 (19.1)	1.125 (28.6)
10	1.843 (46.8)	.875 (22.2)	1.250 (31.8)

1. When maximum cable entry (page 21) is exceeded, Style 2 will be supplied (not available in Function C). Dimensions F, G, H and J will not apply. Please consult factory.
2. Metric dimensions (mm) are indicated in parentheses.
3. Cable range is defined as the accommodations range for the wire bundle or cable. Dimensions shown are not intended for inspection criteria.
4. Angular function "C", low-profile split elbow, not available with "S" connector designator.

**CONNECTOR DESIGNATORS**  
**A-F-L-H**

**ROTATABLE COUPLING**



**401-008**  
**TAG® Ring Backshell**  
 with EMI/RFI Shield Termination Band Adapter  
 Rotatable Coupling - Standard Profile



See inside back cover  
 fold-out or pages 13 and  
 14 for Tables I and II.

**TABLE III: ELBOW DIMENSIONS**

Shell Size		E Max	F Max	G Max	H Max
A-F-L	H				
08	09	.750 (19.1)	2.332 (59.2)	.639 (16.2)	2.222 (56.4)
10	11	.810 (20.6)	2.392 (60.8)	.664 (16.9)	2.252 (57.2)
12	13	.870 (22.1)	2.452 (62.3)	.688 (17.5)	2.272 (57.7)
14	15	.920 (23.4)	2.522 (64.1)	.705 (17.9)	2.302 (58.5)
16	17	.980 (24.9)	2.582 (65.6)	.732 (18.6)	2.322 (59.0)
18	19	1.020 (25.9)	2.602 (66.1)	.748 (19.0)	2.332 (59.2)
20	21	1.080 (27.4)	2.662 (67.6)	.733 (18.6)	2.352 (59.7)
22	23	1.140 (29.0)	2.702 (68.6)	.800 (20.3)	2.392 (60.8)
24	25	1.200 (30.5)	2.812 (71.4)	.823 (20.9)	2.422 (61.5)

**TABLE IV: CABLE ENTRY**

Entry Size	K	L	M
01	.125 (3.2)	.250 (6.4)	.312 (7.9)
31	.188 (4.8)	.312 (7.9)	.374 (9.5)
02	.250 (6.4)	.375 (9.5)	.437 (11.1)
32	.312 (7.9)	.438 (11.1)	.500 (12.7)
03	.375 (9.5)	.500 (12.7)	.562 (14.3)
33	.438 (11.1)	.562 (14.3)	.624 (15.8)
04	.500 (12.7)	.625 (15.9)	.687 (17.4)
34	.562 (14.3)	.688 (17.5)	.750 (19.1)
05	.625 (15.9)	.750 (19.1)	.812 (20.6)
35	.688 (17.5)	.812 (20.6)	.874 (22.2)
06	.750 (19.1)	.875 (22.2)	.937 (23.8)
36	.812 (20.6)	.938 (23.8)	1.000 (25.4)
07	.875 (22.2)	1.000 (25.4)	1.062 (27.0)
37	.938 (23.8)	1.062 (27.0)	1.124 (28.5)
08	1.000 (25.4)	1.125 (28.6)	1.187 (30.1)
38	1.062 (27.0)	1.188 (30.2)	1.250 (31.8)
09	1.125 (28.6)	1.250 (31.8)	1.312 (33.3)
10	1.250 (31.8)	1.375 (34.9)	1.437 (36.5)
11	1.375 (34.9)	1.500 (38.1)	1.562 (39.7)

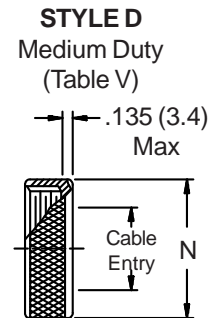
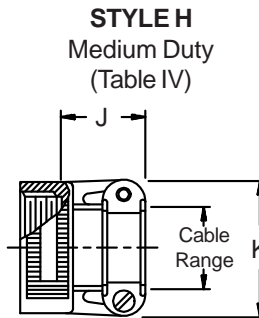
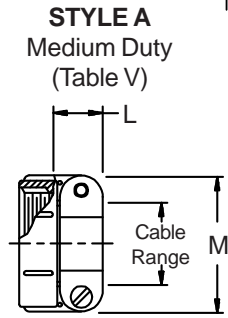
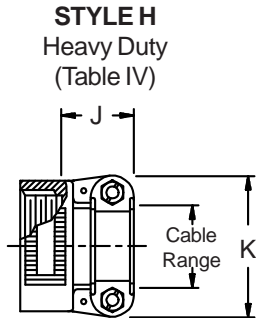
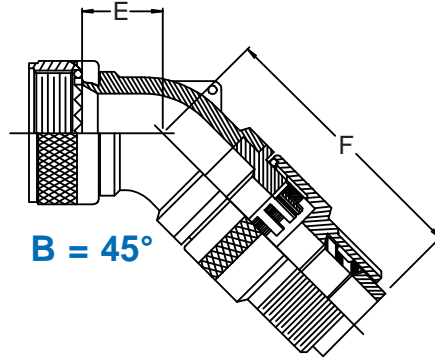
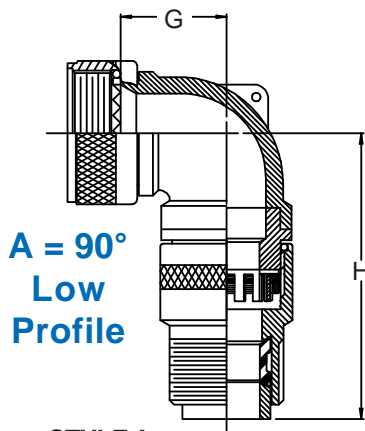
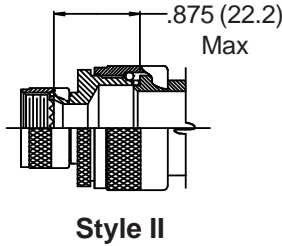
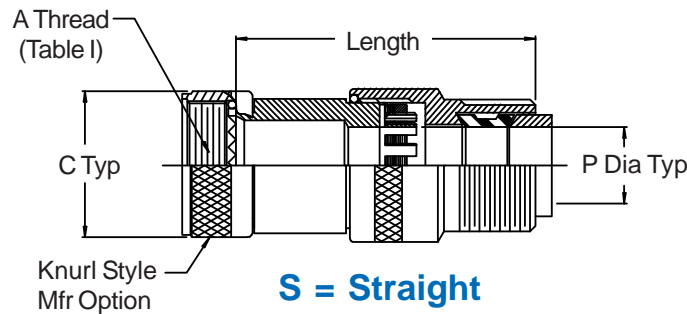
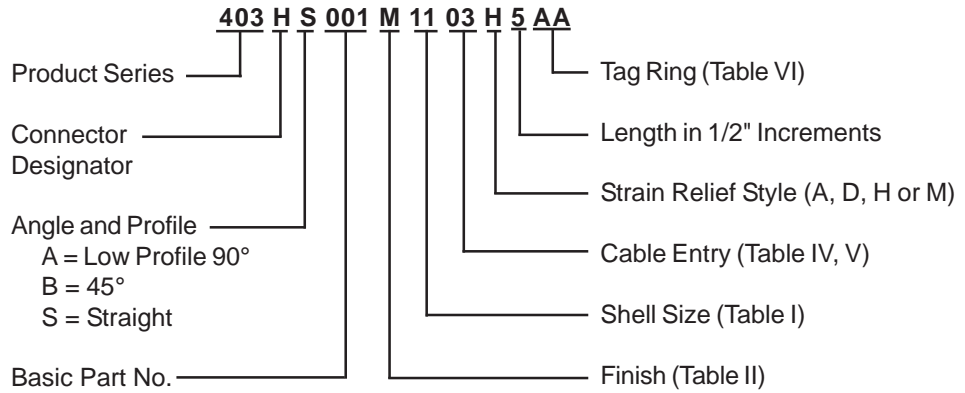
1. For effective grounding, connector with conductive finish should be used.
2. Metric dimensions (mm) are indicated in parentheses.
3. Cable range is defined as the accommodations range for the wire bundle or cable. Dimensions shown are not intended for inspection criteria.
4. -445 modification not available for MIL-DTL-38999 Series II.

**-445** Add "-445" to Specify Glenair's Non-Detent, ("NESTOR") Spring-Loaded, Self-Locking Coupling. See Page 41 for Details.



**CONNECTOR DESIGNATORS**  
**A-F-L-H**

**ROTATABLE COUPLING**



**403-001**  
**TAG® Ring Backshell**  
**Environmental**  
**Rotatable Coupling - Low Profile**



See inside back cover fold-out or pages 13 and 14 for Tables I and II.

**TABLE III: ELBOW DIMENSIONS**

Shell Size Conn. Desig.		E		F		G		H	
A-F-L	H	Max		Max		Max		Max	
08	09	.457	(19.1)	2.680	(68.1)	.500	(12.7)	2.680	(68.1)
10	11	.520	(20.6)	3.070	(78.0)	.595	(15.1)	2.800	(71.1)
12	13	.582	(22.1)	3.130	(79.5)	.610	(15.5)	3.160	(80.3)
14	15	.645	(23.4)	3.230	(82.0)	.700	(17.8)	3.230	(82.0)
16	17	.738	(24.9)	3.330	(84.6)	.885	(22.5)	3.230	(82.0)
18	19	.926	(25.9)	3.430	(87.1)	.975	(24.8)	3.560	(90.4)
20	21	.926	(27.4)	3.590	(91.2)	.975	(24.8)	3.560	(90.4)
22	23	1.020	(29.0)	3.720	(94.5)	1.125	(28.6)	3.650	(92.7)
24	25	1.020	(30.5)	3.720	(94.5)	1.125	(28.6)	3.650	(92.7)
28		1.145	(19.1)	3.890	(98.8)	1.225	(31.1)	3.940	(100.1)
32		1.207	(30.7)	3.990	(101.3)	1.575	(40.0)	4.190	(106.4)
36		1.238	(31.4)	4.080	(103.6)	1.775	(45.1)	4.190	(106.4)

**TABLE IV: CABLE ENTRY**

Dash No.	J Max	K Max	Cable Range	
			Min	Max
04	.780 (19.8)	.957 (24.3)	.125 (3.2)	.312 (7.9)
06	.780 (19.8)	1.145 (29.1)	.250 (6.4)	.437 (11.1)
08	.780 (19.8)	1.332 (33.8)	.312 (7.9)	.562 (14.3)
10	.780 (19.8)	1.332 (33.8)	.350 (8.9)	.625 (15.9)
12	.811 (20.6)	1.551 (39.4)	.500 (12.7)	.750 (19.1)
16	.905 (23.0)	1.770 (45.0)	.625 (15.9)	.937 (23.8)
20	1.092 (27.7)	2.113 (53.7)	.875 (22.2)	1.250 (31.8)
24	1.124 (28.5)	2.363 (60.0)	1.000 (25.4)	1.375 (34.9)
28	1.399 (35.5)	2.770 (70.4)	1.250 (31.8)	1.625 (41.3)
32	1.399 (35.5)	3.020 (76.7)	1.437 (36.5)	1.875 (47.6)

**TABLE VI: CLAMP**

Sym	Size	P Dia	Max Clamp
AA	2	.250 (6.4)	08
A	3	.357 (9.1)	10
B	4	.500 (12.7)	12
C	5	.625 (15.9)	16
D	6	.750 (19.1)	20
E	7	.875 (22.2)	20
F	8	1.000 (25.4)	24
G	9	1.125 (28.6)	28
H	10	1.250 (31.8)	32
J	11	1.375 (34.9)	40

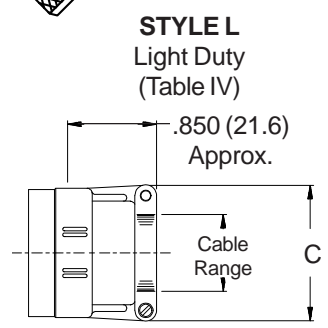
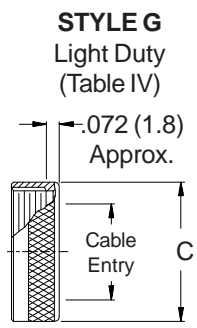
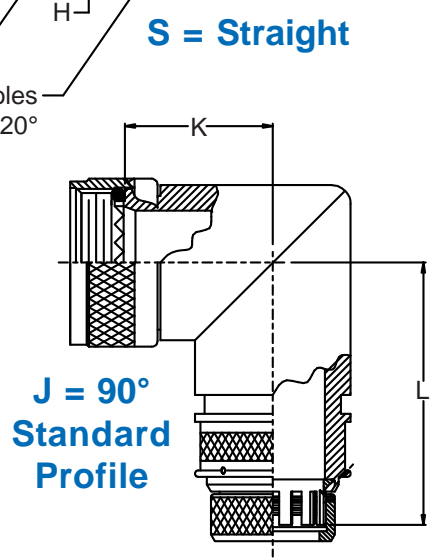
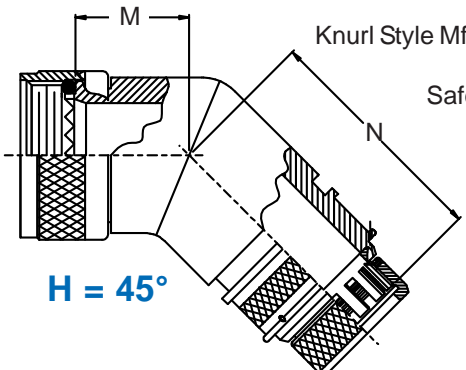
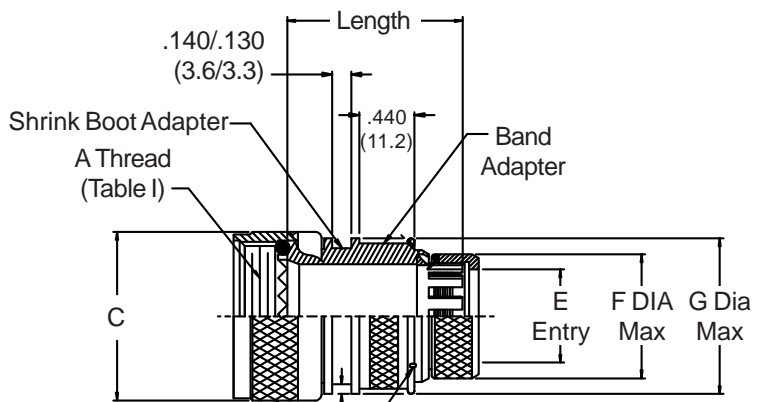
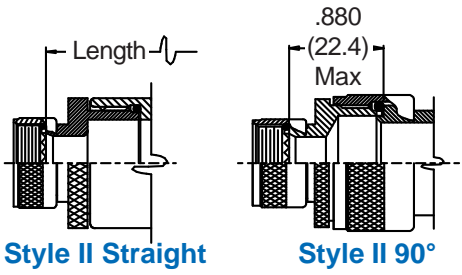
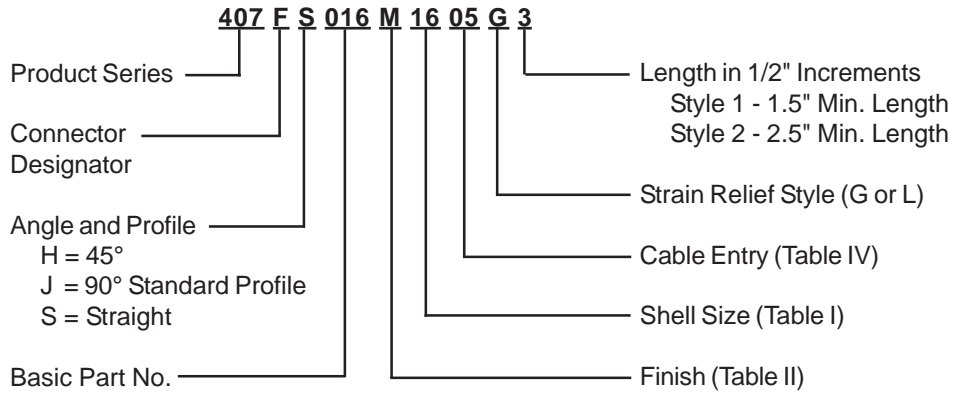
**TABLE V: CABLE ENTRY**

Dash No.	L Max	M Max	N Max	Cable Range	
				Min	Max
03	.760 (19.3)	.843 (21.4)	.630 (16.0)	.156 (4.0)	.250 (6.4)
04	.760 (19.3)	.906 (23.0)	.755 (19.2)	.188 (4.8)	.312 (7.9)
06	.760 (19.3)	1.093 (27.8)	.942 (23.9)	.281 (7.1)	.438 (11.1)
08	.760 (19.3)	1.187 (30.1)	1.067 (27.1)	.344 (8.7)	.562 (14.3)
10	.760 (19.3)	1.281 (32.5)	1.192 (30.3)	.375 (9.5)	.625 (15.9)
12	.760 (19.3)	1.500 (38.1)	1.380 (35.1)	.438 (11.1)	.750 (19.1)
16	1.073 (27.3)	1.719 (43.7)	1.535 (39.0)	.562 (14.3)	.938 (23.8)
20	1.323 (33.6)	2.062 (52.4)	1.848 (46.9)	.750 (19.1)	1.250 (31.8)
24	1.323 (33.6)	2.312 (58.7)	2.255 (57.3)	.781 (19.8)	1.375 (34.9)
28	1.572 (39.9)	2.719 (69.1)	2.505 (63.5)	.969 (24.6)	1.625 (41.3)
32	1.572 (39.9)	2.969 (75.4)	2.755 (70.0)	1.125 (28.6)	1.875 (47.6)
40	1.572 (39.9)	2.531 (64.3)	3.255 (82.7)	1.469 (37.3)	2.375 (60.3)

1. Standard minimum length for Style I is 2.5 inches, and for Style II is 3 inches. For shorter length, consult factory. (Applies to Straight configuration only).
2. Metric dimensions (mm) are indicated in parentheses.
3. When maximum cable range (Table III) is exceeded, Style II will be supplied. Note: E, F, G and H do not apply to Style II.
4. Cable range is defined as the accommodations range for the wire bundle or cable. Dimensions shown are not intended for inspection criteria.

**CONNECTOR DESIGNATORS**  
**A-F-H-L**

**ROTATABLE COUPLING**



**407-016**  
**TAG® Ring Backshell**  
 with EMI/RFI Shield Termination Band & Shrink Boot Adapter  
 Rotatable Coupling - Standard Profile



See inside back cover  
 fold-out or pages 13 and  
 14 for Tables I and II.

**TABLE III: ELBOW DIMENSIONS**

Shell Size		K Max	L Max	M Max	N Max	Max Entry Code A	Max Entry Code F, L & H
Conn. Desig. A-F-L	H						
08	09	.906 (23.0)	2.350 (59.7)	.795 (20.2)	2.240 (56.9)	02	02
10	11	.966 (24.5)	2.410 (61.2)	.820 (20.8)	2.270 (57.7)	03	03
12	13	1.026 (26.1)	2.470 (62.7)	.844 (21.4)	2.290 (58.2)	04	04
14	15	1.076 (27.3)	2.540 (64.5)	.861 (21.9)	2.320 (58.9)	05	05
16	17	1.136 (28.9)	2.600 (66.0)	.888 (22.6)	2.340 (59.4)	06	06
18	19	1.176 (29.9)	2.620 (66.5)	.904 (23.0)	2.350 (59.7)	06	07
20	21	1.236 (31.4)	2.680 (68.1)	.929 (23.6)	2.370 (60.2)	07	08
22	23	1.296 (32.9)	2.760 (70.1)	.956 (24.3)	2.410 (61.2)	08	09
24	25	1.356 (34.4)	2.830 (71.9)	.979 (24.9)	2.440 (62.0)	09	10

**TABLE IV: CABLE ENTRY**

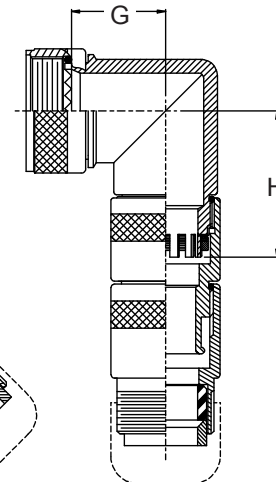
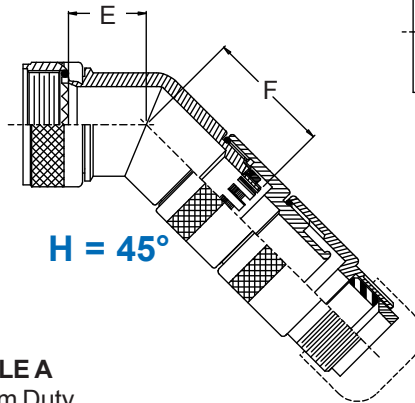
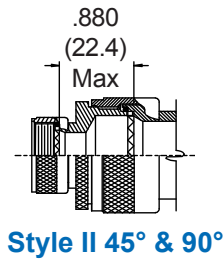
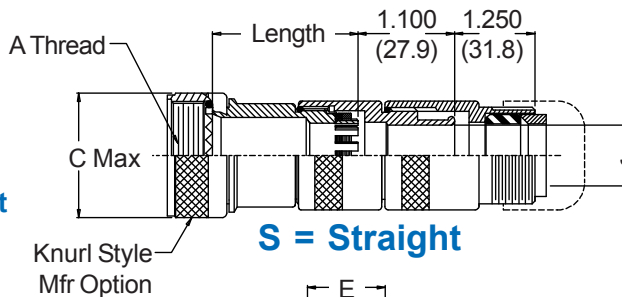
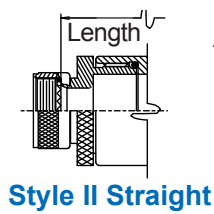
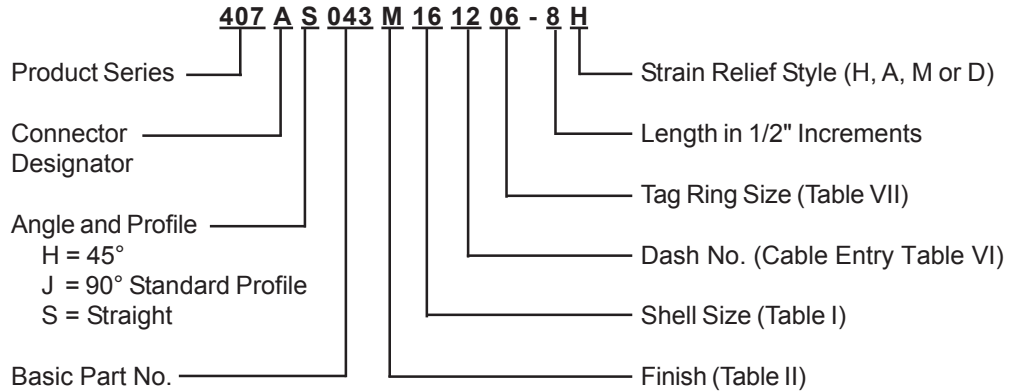
Dash No.	E Entry	F Max	G Max	H Max	J Max	Cable Range	
						Min	Max
02	.250 (6.4)	.545 (13.8)	.650 (16.5)	.044 (1.1)	.968 (24.6)	.125 (3.2)	.250 (6.4)
03	.370 (9.4)	.670 (17.0)	.774 (19.7)	.044 (1.1)	1.046 (26.6)	.250 (6.4)	.375 (9.5)
04	.500 (12.7)	.795 (20.2)	.963 (24.5)	.044 (1.1)	1.156 (29.4)	.375 (9.5)	.500 (12.7)
05	.620 (15.7)	.920 (23.4)	1.042 (26.5)	.044 (1.1)	1.218 (30.9)	.500 (12.7)	.625 (15.9)
06	.750 (19.1)	1.045 (26.5)	1.217 (30.9)	.069 (1.8)	1.343 (34.1)	.625 (15.9)	.750 (19.1)
07	.870 (22.1)	1.170 (29.7)	1.355 (34.4)	.069 (1.8)	1.468 (37.3)	.750 (19.1)	.875 (22.2)
08	1.000 (25.4)	1.295 (32.9)	1.443 (36.7)	.069 (1.8)	1.593 (40.5)	.875 (22.2)	1.000 (25.4)
09	1.120 (28.4)	1.420 (36.1)	1.709 (43.4)	.069 (1.8)	1.718 (43.6)	.937 (23.8)	1.125 (28.6)
10	1.250 (31.8)	1.670 (42.4)	1.919 (48.7)	.069 (1.8)	1.843 (46.8)	1.062 (27.0)	1.250 (31.8)

1. Use with Glenair 600-052 bands and 600-058 standard or 600-067 pneumatic banding tools.
2. Metric dimensions (mm) are indicated in parentheses.
3. Cable range is defined as the accommodations range for the wire bundle or cable.  
 Dimensions shown are not intended for inspection criteria.
4. When max entry code per Table III is exceeded, Style II will be supplied.
5. -445 modification not available for MIL-DTL-38999 Series II.

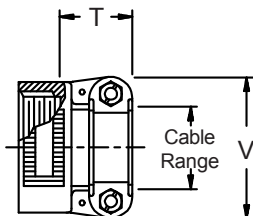
**-445** Add "-445" to Specify Glenair's Non-Detent,  
 ("NESTOR") Spring-Loaded, Self-Locking Coupling.  
 See Page 41 for Details.

**CONNECTOR  
DESIGNATORS  
A-F-H-L**

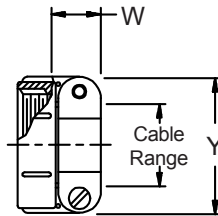
**ROTATABLE  
COUPLING**



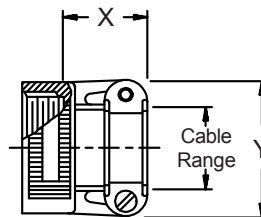
**STYLE H**  
Heavy Duty  
(Table V)



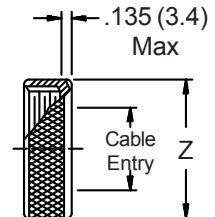
**STYLE A**  
Medium Duty  
(Table IV)



**STYLE M**  
Medium Duty  
(Table IV)



**STYLE D**  
Medium Duty  
(Table IV)



**-445**

Add "-445" to Specify Glenair's Non-Detent, ("NESTOR") Spring-Loaded, Self-Locking Coupling. See Page 41 for Details.

**TAG® Ring Environmental Backshell**  
with EMI/RFI Shield Termination Band Adapter  
Rotatable Coupling - Standard Profile

See inside back cover fold-out or pages 13 and 14 for Tables I and II.

TABLE III: ELBOW DIMENSIONS

Shell Size		E Max	F Max	G Max	H Max	Max Tag Ring
Conn. Desig.	A-F-L					
08	09	.639 (16.2)	1.510 (38.4)	.750 (19.1)	1.620 (41.1)	2
10	11	.664 (16.9)	1.540 (39.1)	.810 (20.6)	1.680 (42.7)	3
12	13	.688 (17.5)	1.560 (39.6)	.870 (22.1)	1.740 (44.2)	4
14	15	.705 (17.9)	1.590 (40.4)	.920 (23.4)	1.810 (46.0)	5
16	17	.732 (18.6)	1.610 (40.9)	.980 (24.9)	1.870 (47.5)	6
18	19	.748 (19.0)	1.620 (41.1)	1.020 (25.9)	1.890 (48.0)	6
20	21	.773 (19.6)	1.640 (41.7)	1.080 (27.4)	1.950 (49.5)	7
22	23	.800 (20.3)	1.680 (42.7)	1.140 (29.0)	2.030 (51.6)	8
24	25	.823 (20.9)	1.710 (43.4)	1.200 (30.5)	2.100 (53.3)	9

TABLE VII: TAG RING

Tag Ring Size	Tag Ring I.D.
02	.250 (6.4)
03	.375 (9.5)
04	.500 (12.7)
05	.625 (15.9)
06	.750 (19.1)
07	.875 (22.2)
08	1.000 (25.4)
09	1.125 (28.6)
10	1.250 (31.8)
11	1.375 (34.9)

TABLE IV: CLAMP SIZE

Clamp Size	Cable Range		W Max	X Max	Y Max	Z Max
	Min	Max				
03	.156 (4.0)	.250 (6.4)	.437 (11.1)	.760 (19.3)	.843 (21.4)	.630 (16.0)
04	.188 (4.8)	.312 (7.9)	.437 (11.1)	.760 (19.3)	.906 (23.0)	.755 (19.2)
06	.281 (7.1)	.438 (11.1)	.500 (12.7)	.760 (19.3)	1.093 (27.8)	.942 (23.9)
08	.344 (8.7)	.562 (14.3)	.563 (14.3)	.760 (19.3)	1.187 (30.1)	1.067 (27.1)
10	.375 (9.5)	.625 (15.9)	.563 (14.3)	.760 (19.3)	1.281 (32.5)	1.192 (30.3)
12	.438 (11.1)	.750 (19.1)	.563 (14.3)	.760 (19.3)	1.500 (38.1)	1.380 (35.1)
16	.562 (15.9)	.938 (23.8)	.656 (16.7)	1.073 (27.3)	1.719 (43.7)	1.535 (39.0)
20	.750 (22.2)	1.250 (31.8)	.656 (16.7)	1.323 (33.6)	2.062 (52.4)	1.848 (46.9)
24	.781 (25.4)	1.375 (34.9)	.656 (16.7)	1.323 (33.6)	2.312 (58.7)	2.255 (57.3)
28	.969 (31.8)	1.625 (41.3)	1.188 (30.2)	1.572 (39.9)	2.719 (69.1)	2.505 (63.6)

TABLE V: CLAMP SIZE

Clamp Size	T Max	V Max	Cable Range	
			Min	Max
04	.780 (19.8)	.957 (23.4)	.125 (3.2)	.312 (7.9)
06	.780 (19.8)	1.145 (29.1)	.250 (6.4)	.438 (11.1)
08	.780 (19.8)	1.332 (33.8)	.312 (7.9)	.562 (14.3)
10	.780 (19.8)	1.332 (33.8)	.350 (8.9)	.625 (15.9)
12	.811 (20.6)	1.551 (39.4)	.500 (12.7)	.750 (19.1)
16	.905 (23.0)	1.770 (45.0)	.625 (15.9)	.938 (23.8)
20	1.902 (27.7)	2.113 (53.7)	.875 (22.2)	1.250 (31.8)
24	1.124 (28.5)	2.363 (60.0)	1.000 (25.4)	1.375 (34.9)
28	1.399 (35.5)	2.770 (70.4)	1.250 (31.8)	1.625 (41.3)

TABLE VI: CABLE ENTRY

Dash No.	Clamp Size	J Dia
03	03	.188 (4.8)
04	03	.250 (6.4)
05	04	.312 (7.9)
06	06	.375 (9.5)
07	06	.438 (11.1)
08	08	.500 (12.7)
09	10	.562 (14.3)
10	10	.625 (15.9)
11	12	.688 (17.5)
12	12	.750 (19.1)
13	16	.812 (20.6)
14	16	.875 (22.2)
15	16	.938 (23.8)
17	20	1.000 (25.4)
18	20	1.062 (27.0)
16	20	1.125 (28.6)
20	20	1.250 (31.8)
22	24	1.375 (34.9)
24	28	1.500 (38.1)

1. When maximum Tag Ring (Table III) is exceeded, Style 2 will be supplied. Dimensions E, F, G, and H will not apply. Please consult factory.
2. Standard minimum length for Style I is 1.5 inches and 2 inches for Style II. Consult factory for shorter length.
3. Metric dimensions (mm) are indicated in parentheses.
4. Cable range is defined as the accommodations range for the wire bundle or cable.
5. Dimensions shown are not intended for inspection criteria.
6. -445 modification not available for MIL-DTL-38999 Series II.



# Need something unusual in a multi-contact connector?



## Then consider Glenair's expertise in high reliability connector design and development.

**G**lenair's line of innovative, specialty connectors has grown, year after year, to become one of the most diverse in the industry. Our application engineers have worked directly with commercial, industrial and military customers worldwide to design and build such products as quick disconnects for missile launchers, high tempera-

ture connectors for jet engines, shorting plugs to prevent accidental weapon firing, explosion-proof bulkhead feed-throughs for marine and off-shore platform use, and hermetically-sealed MIL-DTL-38999 connectors for military applications. So, for extraordinary applications, consider an extraordinary partner: Glenair.



Commercial and Mil Spec connector accessories



Convolved tubing and metal-core conduit



Electrical and fiber optic cable assemblies



Composite thermoplastic components



Microminiature connectors and accessories



Backshell assembly and termination tools



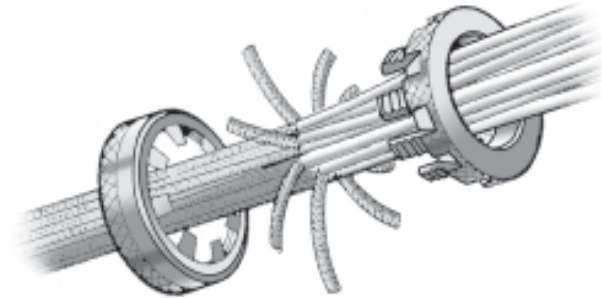
1211 Air Way

Glendale, California 91201-2497

Telephone: 818-247-6000 · Facsimilie: 818-500-9912 · EMail: sales@glenair.com

United States • United Kingdom • Germany • Nordic • France • Italy • Spain

www.glenair.com



## PRODUCT FEATURES

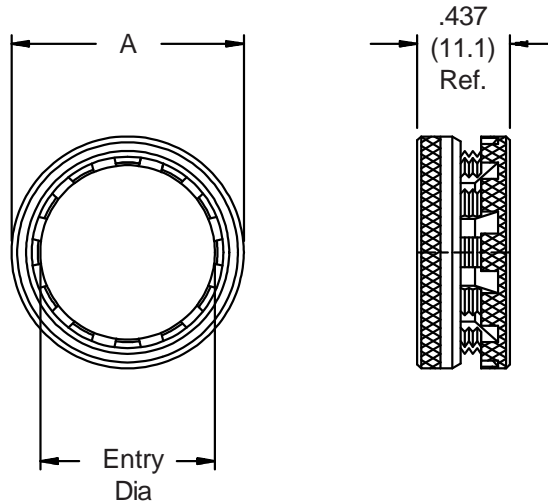
- Designed for the termination of individually shielded wire media in cables and wire bundles
- Patented Glenair Technology
- Straight Configuration Only
- Enhanced Repairability

## TAG® Ring Shield Termination Device

### *Proven EMI/RFI grounding technology for individual conductors*

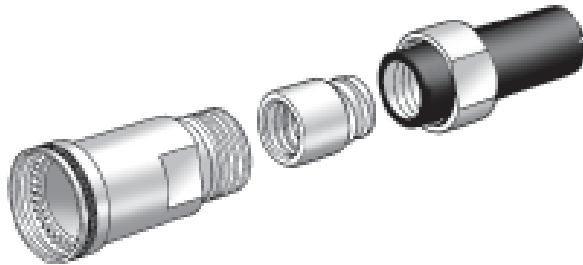
Glenair's TAG® Ring provides a reliable and convenient method of common termination of groups of individual shields/screens on wire bundles and harnesses. This device offers a repairable alternative to inner-outer crimp rings, daisy chains and other termination systems and as supplied may be incorporated in a broad range of standard backshell assemblies.

**410-003-06**  
 Basic Part No. \_\_\_\_\_ Dash No. (Table III)


**TABLE III: DIMENSIONS**

Dash No.	A Dia	Entry Dia.	No. of Slots	Weight in Grams
02	.545 (13.8)	.250 (6.4)	3	2.268
03	.670 (17.0)	.375 (9.5)	4	2.722
04	.795 (20.2)	.500 (12.7)	6	3.175
05	.920 (23.4)	.625 (15.9)	8	4.082
06	1.045 (26.5)	.750 (19.1)	10	4.536
07	1.170 (29.7)	.875 (22.2)	10	4.990
08	1.295 (32.9)	1.000 (25.4)	12	5.443
09	1.420 (36.1)	1.125 (28.6)	15	6.350
10	1.687 (42.8)	1.250 (31.8)	15	10.433
11	1.812 (46.0)	1.375 (34.9)	15	14.515

1. Finish: Body and Nut - Gold Iridite; Spring - Gold Plate.
2. Metric dimensions (mm) are indicated in parentheses.



## PRODUCT FEATURES

- Secure Electrical Grounding of Metallic Conduit to Circular Connector Backshells
- Rotatable and Direct Coupling Styles
- Low Profile Designs
- Straight, 45° and 90° Configurations

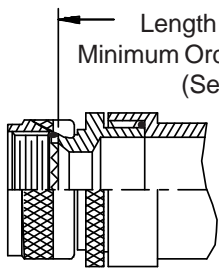
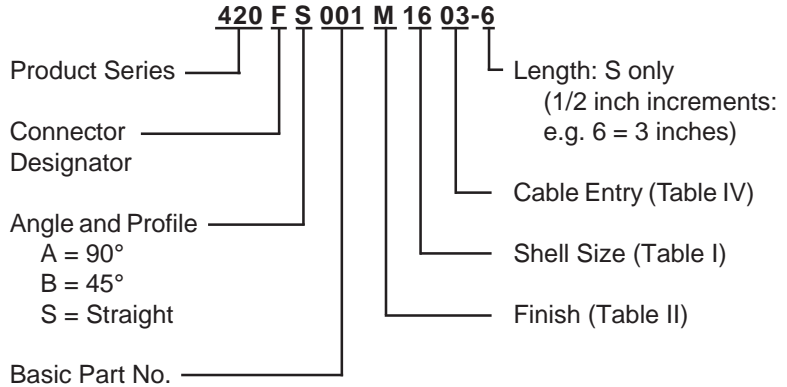
# Fool-Proof Integration of Sealtite/Liquidtite Conduit into Safety-Critical Interconnect Systems

## *For EMI/RFI and environmental applications*

This series of backshells provide a convenient method of terminating Sealtite/Liquidtite conduit (or equivalent) to a variety of circular connectors. A malleable ferrule which fits over the exposed end of the conduit is compressed into the outer jackets as the lock nut is tightened. This also provides a secure electrical ground for the metal core of the conduit to the backshell body. No special tools are required for assembly. For conduit information, see Glenair's *Convolute Tubing, Braiding and Flexible Metal-Core Conduit Systems* catalog.

Sealtite™ is a registered trademark of Anaconda Corp.

**CONNECTOR  
 DESIGNATORS  
 A-F-H-L-S  
 ROTATABLE  
 COUPLING**



**STYLE 2  
 (STRAIGHT)**

Length ± .060 (1.52)  
 Minimum Order Length 3.0 Inch  
 (See Note 4)

A Thread  
 (Table I)

Length \*  
 O-Ring

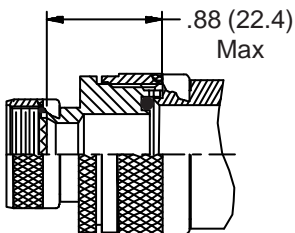
Sealtite/Liquidite  
 Conduit or Equivalent  
 (Customer Furnished)

C Typ.  
 (Table I)

K \*\* L \*\* M \*\*

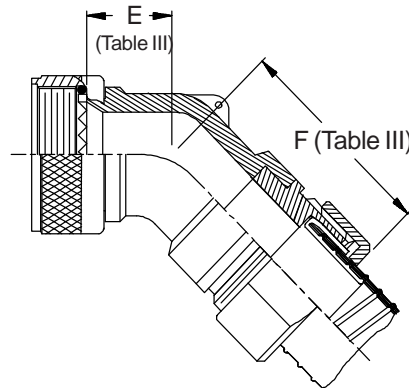
\* Length ± .060 (1.52)  
 Minimum Order Length 2.5 Inch  
 (See Note 4)

N Wrench Flat  
 (Table IV) \*\* (Table IV)



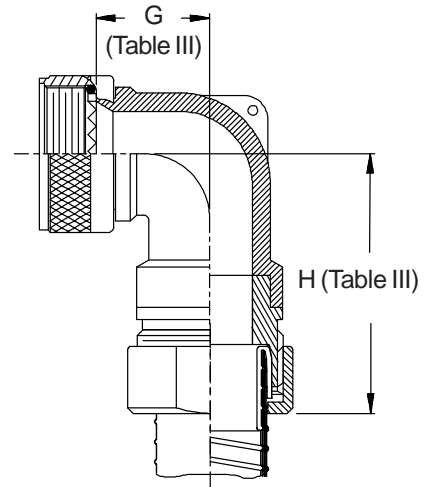
**STYLE 2  
 (45° & 90°)**

.88 (22.4)  
 Max



E  
 (Table III)

F (Table III)



G  
 (Table III)

H (Table III)

See inside back cover  
 fold-out or pages 13 and  
 14 for Tables I and II.

**TABLE III: ELBOW DIMENSIONS**

Shell Size		E		F		G		H	
Conn. Desig.	H	Max	(mm)	Max	(mm)	Max	(mm)	Max	(mm)
A-F-L-S									
08	09	.457	(11.6)	1.810	(46.0)	.500	(12.7)	1.820	(46.2)
10	11	.520	(13.2)	1.870	(47.5)	.595	(15.1)	1.940	(49.3)
12	13	.582	(14.8)	1.930	(49.0)	.610	(15.5)	1.960	(49.8)
14	15	.645	(16.4)	2.020	(51.3)	.700	(17.8)	2.030	(51.6)
16	17	.738	(18.7)	2.130	(54.1)	.885	(22.5)	2.120	(53.8)
18	19	.926	(23.5)	2.320	(58.9)	.975	(24.8)	2.290	(58.2)
20	21	.926	(23.5)	2.320	(58.9)	.975	(24.8)	2.290	(58.2)
22	23	1.020	(25.9)	2.470	(62.7)	1.125	(28.6)	2.400	(61.0)
24	25	1.020	(25.9)	2.470	(62.7)	1.125	(28.6)	2.400	(61.0)
28		1.145	(29.1)	2.520	(64.0)	1.225	(31.1)	2.570	(65.3)
32		1.207	(30.7)	2.620	(66.5)	1.575	(40.0)	2.820	(71.6)
36		1.238	(31.4)	2.710	(68.8)	1.775	(45.1)	2.820	(71.6)

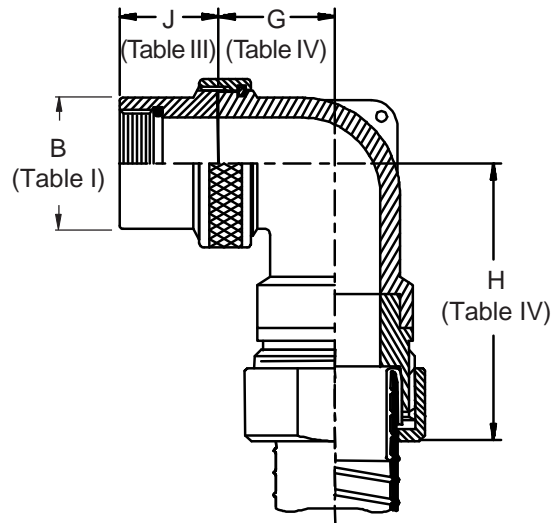
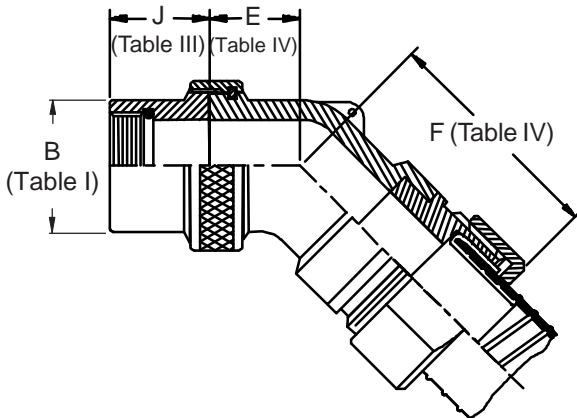
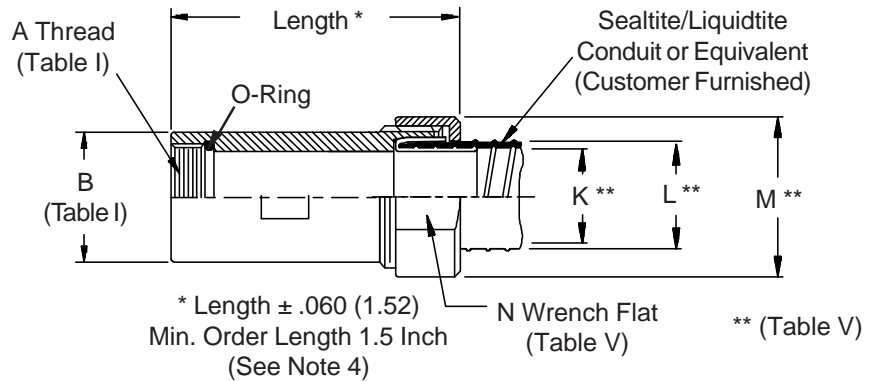
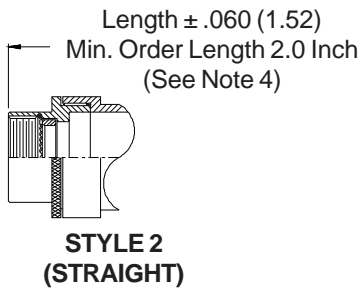
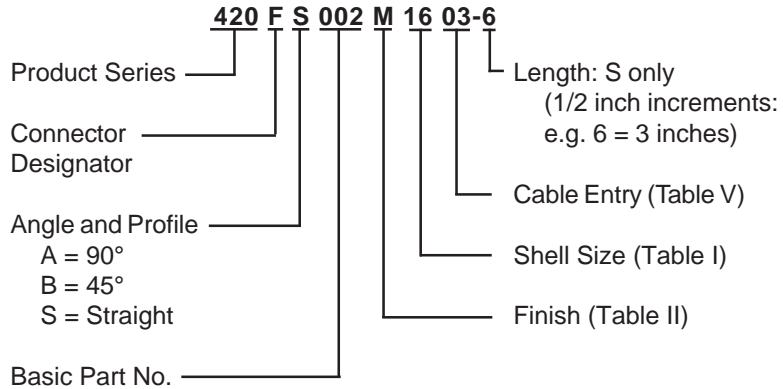
**TABLE IV: CABLE ENTRY**

Dash No.	Conduit Size (Ref.)	K Dimension (Ref)		L Dimension (Ref)		M Max	N Max Wrench Flats						
		Min	Max	Min	Max								
01	3/8	.484	(12.3)	.504	(12.8)	.690	(17.5)	.710	(18.0)	1.155	(29.3)	1.000	(25.4)
02	1/2	.622	(15.8)	.642	(16.3)	.820	(20.8)	.840	(21.3)	1.282	(32.6)	1.125	(28.6)
03	3/4	.820	(20.8)	.840	(21.3)	1.030	(26.2)	1.050	(26.7)	1.531	(38.9)	1.375	(34.9)
04	1	1.041	(26.4)	1.066	(27.1)	1.290	(32.8)	1.315	(33.4)	1.781	(45.2)	1.625	(41.3)
05	1 1/4	1.380	(35.1)	1.410	(35.8)	1.630	(41.4)	1.660	(42.2)	2.218	(56.3)	2.062	(52.4)
06	1 1/2	1.575	(40.0)	1.600	(40.6)	1.875	(47.6)	1.900	(48.3)	2.468	(62.7)	2.312	(58.7)
07	2	2.020	(51.3)	2.045	(51.9)	2.350	(59.7)	2.375	(60.3)	3.031	(77.0)	2.875	(73.0)

1. When maximum cable entry (page 21) is exceeded, Style 2 will be supplied. Dimensions E, F, G and H will not apply. Please consult factory.
2. Metric dimensions (mm) are indicated in parentheses.
3. Cable range is defined as the accommodations range for the wire bundle or cable. Dimensions shown are not intended for inspection criteria.
4. Consult factory for shorter lengths on straight backshells.
5. O-Ring not supplied with Connector Designator A.
6. Sealtite is a trademark of Anaconda Corp.



**CONNECTOR  
DESIGNATORS  
A-B\*-C-D-E-F  
G-H-J-K-L-S**  
\* Conn. Desig. B See Note 6  
**DIRECT COUPLING**



**420-002**  
**Sealtite™/Liquidtite Conduit Backshell**  
**Direct Coupling - Low Profile**



**TABLE III: FRONT ADAPTER**

Shell Size	J Max - Conn. Designator		
	A-E-F		
	J-H-L-S	D-B-G-K	C
08/09	1.180 (30.0)	1.250 (31.8)	
10/11	1.180 (30.0)	1.250 (31.8)	
12/13	1.180 (30.0)	1.250 (31.8)	1.735 (44.1)
14/15	1.180 (30.0)	1.250 (31.8)	1.915 (48.6)
16/17	1.380 (35.0)	1.560 (39.6)	1.915 (48.6)
18/19	1.380 (35.0)	1.560 (39.6)	1.915 (48.6)
20/21	1.380 (35.0)	1.560 (39.6)	1.915 (48.6)
22/23	1.380 (35.0)	1.560 (39.6)	1.915 (48.6)
24/25	1.380 (35.0)	1.560 (39.6)	1.915 (48.6)
28/29	1.610 (40.9)	1.560 (39.6)	1.915 (48.6)
32/33	1.610 (40.9)	1.750 (44.5)	1.915 (48.6)
36	1.610 (40.9)	1.750 (44.5)	1.915 (48.6)
40	1.610 (40.9)	2.190 (55.6)	1.915 (48.6)

See inside back cover fold-out or pages 13 and 14 for Tables I and II.

1. When maximum cable entry (page 22) is exceeded, Style 2 will be supplied. (Function S only).
2. Metric dimensions (mm) are indicated in parentheses.
3. Cable range is defined as the accommodations range for the wire bundle or cable. Dimensions shown are not intended for inspection criteria.
4. Consult factory for shorter lengths on straight backshells.
5. Sealtite is a trademark of Anaconda Corp.
6. When using Connector Designator B refer to pages 18 and 19 for part number development.

**TABLE IV: ELBOW DIMENSIONS**

Elbow Size	E Max	F Max	G Max	H Max
01	.630 (16.0)	1.870 (47.5)	.709 (18.0)	1.940 (49.3)
02	.692 (17.6)	1.930 (49.0)	.734 (18.6)	1.960 (49.8)
03	.848 (21.5)	2.130 (54.1)	.990 (25.1)	2.120 (53.8)
04	1.036 (26.3)	2.320 (58.9)	1.090 (27.7)	2.290 (58.2)
05	1.130 (28.7)	2.470 (62.7)	1.325 (33.7)	2.400 (61.0)
06	1.317 (33.5)	2.620 (66.5)	1.827 (46.4)	2.820 (71.6)
07	1.348 (34.2)	2.710 (68.8)	2.027 (51.5)	2.820 (71.6)

**TABLE V: CABLE ENTRY**

Dash No.	Conduit Size (Ref.)	K Dimension		L Dimension		M Max	N Max Wrench Flat
		Min	Max	Min	Max		
01	3/8	.484 (12.3)	.504 (12.8)	.690 (17.5)	.710 (18.0)	1.155 (29.3)	1.000 (25.4)
02	1/2	.622 (15.8)	.642 (16.3)	.820 (20.8)	.840 (21.3)	1.282 (32.6)	1.125 (28.6)
03	3/4	.820 (20.8)	.840 (21.3)	1.030 (26.2)	1.050 (26.7)	1.531 (38.9)	1.375 (34.9)
04	1	1.041 (26.4)	1.066 (27.1)	1.290 (32.8)	1.315 (33.4)	1.781 (45.2)	1.625 (41.3)
05	1 1/4	1.380 (35.1)	1.410 (35.8)	1.630 (41.4)	1.660 (42.2)	2.218 (56.3)	2.062 (52.4)
06	1 1/2	1.575 (40.0)	1.600 (40.6)	1.875 (47.6)	1.900 (48.3)	2.468 (62.7)	2.312 (58.7)
07	2	2.020 (51.3)	2.045 (51.9)	2.350 (59.7)	2.375 (60.3)	3.031 (77.0)	2.875 (73.0)

# To Most People It's Just a Connector



## To Glenair It's a Promise

**M**ost customers have a simple expectation when they go shopping for safety-critical interconnect components: They want fast and accurate service. Glenair addresses this most basic customer requirement in several different ways. First and foremost, by providing immediate access to our technical information and product documentation: whether you prefer an office visit, the telephone, the Internet, a CD or a printed catalog, Glenair is ready with answers to your most complex questions and design challenges. Secondly, Glenair stocks thousands of popular catalog products for those situations when even a

two or three week lead-time is just too long. We stock over 40,000 interconnect components—bagged and tagged and ready for immediate shipment. And for those situations when a customized solution is required, our engineers are fully versed in all aspects of interconnect system design: from shielding against EMI, to reducing weight and connector package size, to stopping corrosion and other forms of environmental damage.

You have a simple expectation: fast and accurate service. At Glenair, we're ready to give you exactly that. It's a promise.



1211 Air Way

Glendale, California 91201-2497

Telephone: 818-247-6000 · Facsimilie: 818-500-9912 · EMail: sales@glenair.com

United States · United Kingdom · Germany · Nordic · France · Italy · Spain

www.glenair.com



## PRODUCT FEATURES

- Three Different Styles of EMI/RFI Shield Termination: Crimp Ring, Banding and Tinel-Lock®
- Direct, Rotatable, and Self-Locking Coupling Styles
- Standard, Low Profile, Full Radius and Split Shell Designs
- Straight, 45° and 90° Configurations
- Optional Shrink Boot and Dual Braid Designs

## Fast, efficient and economical: Banding, crimp ring and Tinel-Lock® Ring shield terminations

### 360° shield termination and low DC resistance

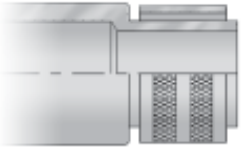
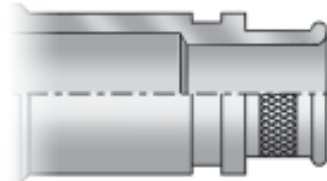
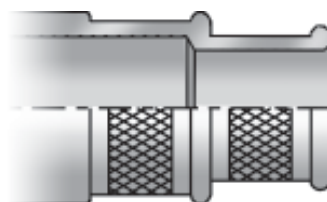
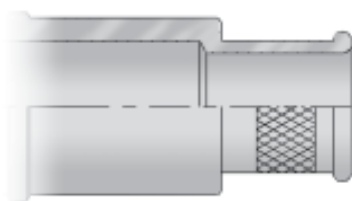
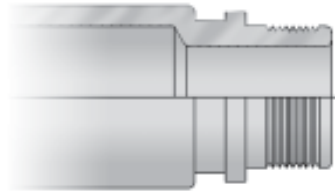
Banding and crimp ring backshells provide an economical approach to terminating overall cable and harness shields/screens. These backshells utilize replacable bands for full 360° shield/screen termination with low DC resistance available. For information on Glenair's *Band-It*® Clamping System, please see our *Backshell Assembly Tools, Banding Tools and Accessories* catalog. Crimp ring backshells provide an economical approach to terminating overall cable and harness shields where future reparability or maintainability are not required. These backshells use standard outer crimp rings for full 360° shield termination, and are available in versions for use with shrink boots or for molded cable terminations.

*Tinel-Lock*® Ring Termination Systems feature unique heat-recoverable rings for high performance termination of electrical and mechanical braid providing 360° shield/screen termination and low dc resistance. Each kit includes the backshell and ring and (optionally) a heat-recoverable boot for environmental protection and strain-relief. The *Tinel-Lock*® Ring Termination System creates a repairable, environmentally sealed, EMI resistant interface with up to 70 dB of isolation when an adhesive shrink boot is employed. Backshell configurations include straight, 45° and 90° designs. Ideally suited for high temperature and high stress applications, the *Tinel-Lock*® Ring Termination System provides optimal protection against mechanical damage of shield terminations and the backshell to connector interface.

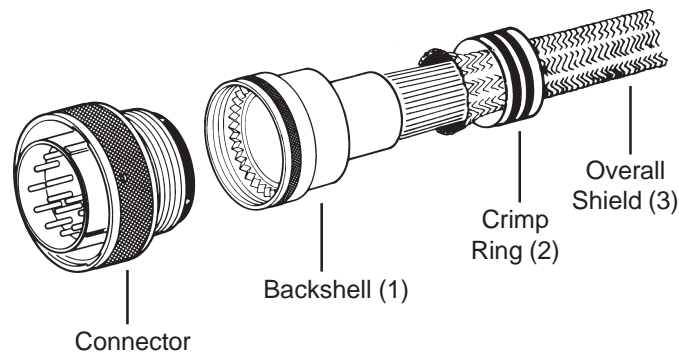
Tinel-Lock® is a registered trademark of Tyco

## Quick Page Number Reference Guide

Consult factory for additional designs not included within this catalog.

Shield Termination/ Cable Entry Design	Coupling Type	Connector Designators	Page Number			
			Straight	Standard Profile	Full Radius Profile	Split Shell Elbows
 <b>Crimp Ring Adapter</b>	Rotatable 440-063	A F H L S	440-4	440-4		440-6
	Direct 440-001	All	440-8	440-8		440-10
 <b>Banding Platform with Shrink Boot Adapter</b>	Rotatable 440-030	A F H L S	440-12	440-12	440-14	440-16
	Direct 440-031	All	440-18	440-18		440-20
	Self-Locking Rotatable 440-069	All	440-22	440-22	440-24	440-26
 <b>Dual Banding Platform</b>	Rotatable 440-070	A F H L S	440-28	440-28	440-30	440-32
	Direct 440-071	All	440-34	440-34		440-36
	Self-Locking Rotatable 440-072	A F H L S	440-38	440-38	440-40	440-42
 <b>Single Banding Platform</b>	Rotatable 440-073	A F H L S	440-44	440-44	440-46	440-48
	Direct 440-074	All	440-50	440-50		440-52
	Self-Locking Rotatable 440-075	A F H L S	440-54	440-54	440-56	440-58
 <b>Tinel-Lock® Ring with Shrink Boot Adapter</b>	Rotatable 440-084	A F H L S	440-60	440-60		440-62
	Direct 440-085	All	440-64	440-64		
	Self-Locking Rotatable 440-086	A F H L S	440-66	440-66		440-68

## Crimp Ring Backshells Assembly Instructions 44-1



The following suggested procedure serves as a guide for proper assembly and installation of Glenair EMI/RFI Crimp Ring Backshells. It is recommended that trial samples of appropriate cables or harnesses be used to determine proper trim dimensions of the outer shield, individual conductors, and cable jacket where applicable.

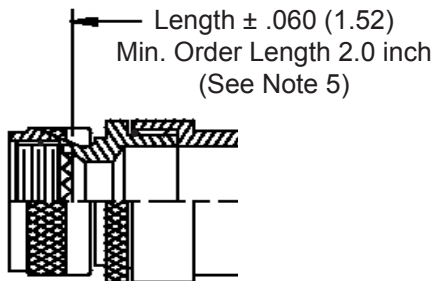
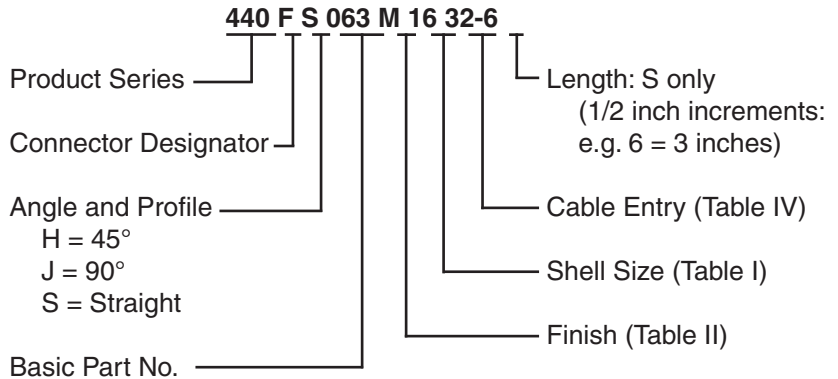
- Temporarily assemble backshell (1) to connector.
- Place crimp ring (2) on cable or harness, and keep it at a convenient distance from the end of the cable so it will not interfere with subsequent assembly steps.
- Insert cable or harness into backshell (1) and bottom against connector. Hold cable in position and mark outer shield (or jacket) at rear end of backshell.
- Remove backshell from connector and place on cable with crimp ring (2).
- Trim outer shield (and jacket if necessary) at mark made in step (c) above.
- Prepare and terminate individual conductors in accordance with established practices.

- Assemble backshell (1) to connector and tighten securely.
- Flare shield over rear crimping area of backshell (1) and slide crimp ring (2) into place over shield.
- Hold crimp ring and shield in position as in step (h) and crimp with proper tool, making sure accepted crimping practices are observed. Trim any exposed shield strands at forward end of crimp ring.
- Depending on the particular application, subsequent molding, potting or shrink boot installation may be accomplished at this point, using the knurled surface or molding grooves provided on the backshell body.

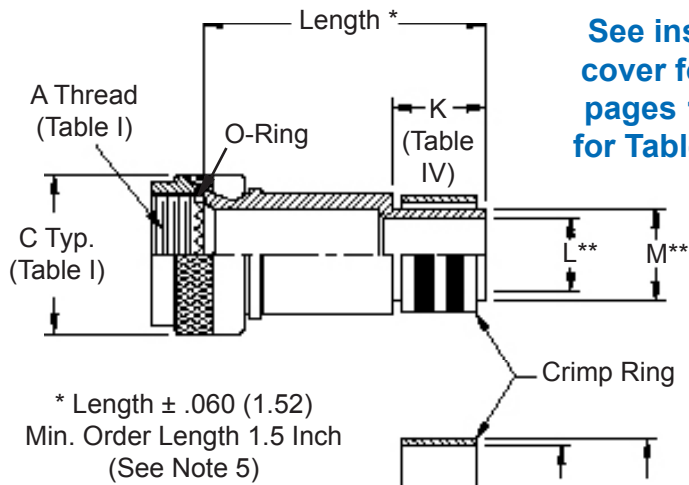
NOTE: As with any electrical connector assembly procedure, be sure to use the proper tools. Be sure the proper crimp tool and die head is used. For convenient reliable assembly of the backshell to the connector it is suggested that Glenair's connector holding tools, strap wrenches and connector pliers be used.



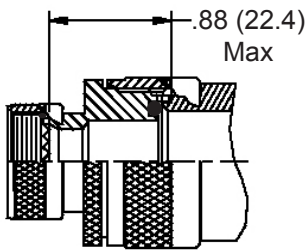
**CONNECTOR DESIGNATORS**  
**A-F-H-L-S**  
**ROTATABLE COUPLING**



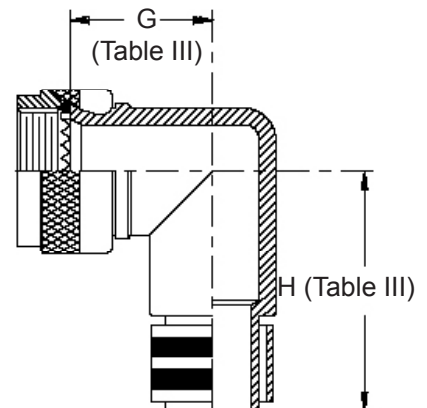
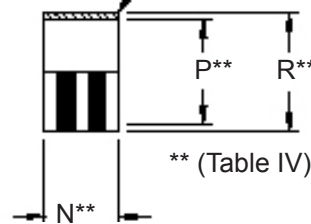
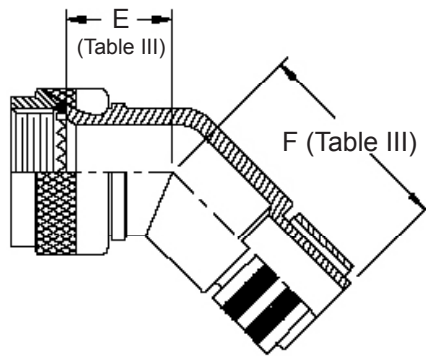
**STYLE 2**  
**(STRAIGHT**  
**See Note 1)**



**See inside back cover fold-out or pages 13 and 14 for Tables I and II.**



**STYLE 2**  
**(45° & 90°**  
**See Note 1)**



**-445** Add "-445" to Specify Glenair's Non-Detent, ("NESTOR") Spring-Loaded, Self-Locking Coupling. See Page 41 for Details.

Metric dimensions (mm) are indicated in parentheses.

**440-063**  
**EMI/RFI Crimp Ring Adapter**  
**Rotatable Coupling - Standard Profile**



440

**TABLE III: ELBOW DIMENSIONS**

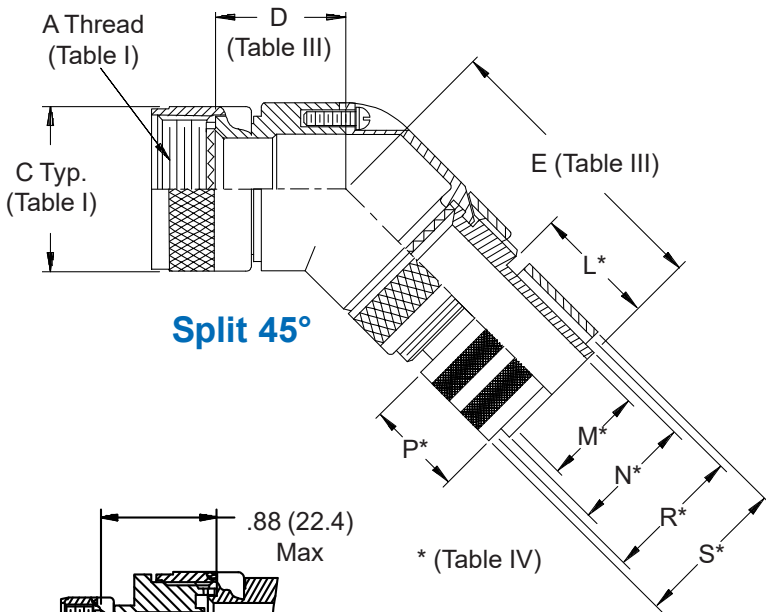
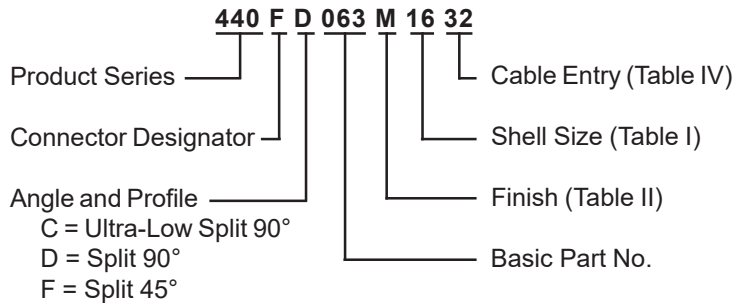
Shell Size		E		F		G		H	
Conn. Desig.	A-F-L-S H	Max		Max		Max		Max	
08	09	.639	(16.2)	.702	(17.8)	.750	(19.1)	.812	(20.6)
10	11	.664	(16.9)	.732	(18.6)	.812	(20.6)	.875	(22.2)
12	13	.688	(17.5)	1.040	(26.4)	.875	(22.2)	1.220	(31.0)
14	15	.705	(17.9)	1.070	(27.2)	.920	(23.4)	1.290	(32.8)
16	17	.732	(18.6)	1.090	(27.7)	.980	(24.9)	1.350	(34.3)
18	19	.748	(19.0)	1.100	(27.9)	1.020	(25.9)	1.370	(34.8)
20	21	.773	(19.6)	1.120	(28.4)	1.080	(27.4)	1.430	(36.3)
22	23	.800	(20.3)	1.160	(29.5)	1.140	(29.0)	1.510	(38.4)
24	25	.823	(20.9)	1.190	(30.2)	1.200	(30.5)	1.580	(40.1)

1. When maximum cable entry (page 21) is exceeded, Style 2 will be supplied. Dimensions E, F, G and H will not apply. Please consult factory.
2. For proper installation of crimp ring, use Thomas & Betts (or equivalent) installation dies listed (Table IV) for each dash no.
3. Dimensions shown are not intended for inspection criteria.
4. Consult factory for shorter lengths on straight backshells.
5. Interface O-Ring not supplied with Connector Designator A.

**TABLE IV: CABLE ENTRY**

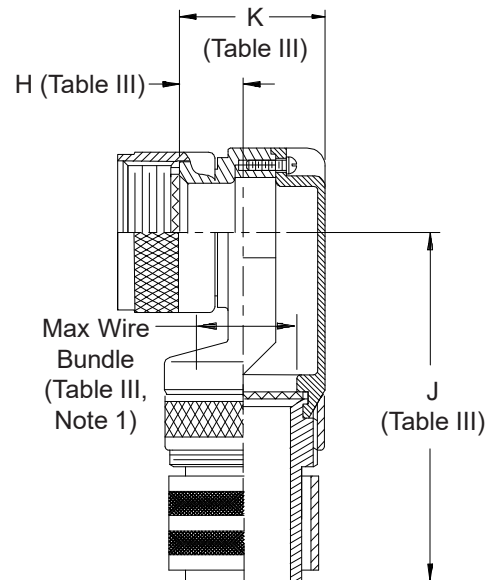
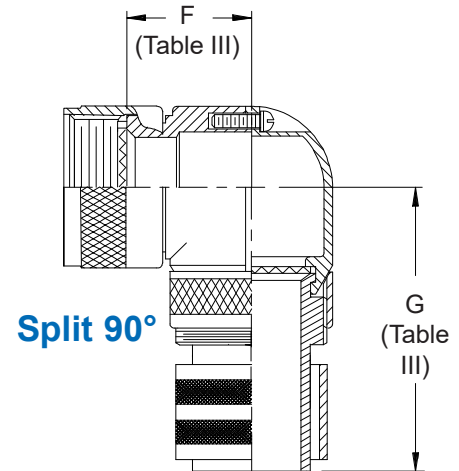
Dash No.	K		L		M		N		P		R		Inst. Tool Die No. (Note 2)
	Nom		Nom		Nom		Nom		Nom		Nom		
06	.312	(7.9)	.090	(2.3)	.113	(2.9)	.250	(6.4)	.156	(4.0)	.194	(4.9)	WT402
10	.312	(7.9)	.124	(3.1)	.145	(3.7)	.250	(6.4)	.187	(4.7)	.227	(5.8)	WT406
13	.312	(7.9)	.149	(3.8)	.179	(4.5)	.250	(6.4)	.225	(5.7)	.256	(6.5)	WT409
16	.312	(7.9)	.175	(4.4)	.215	(5.5)	.250	(6.4)	.261	(6.6)	.297	(7.5)	WT411
20	.312	(7.9)	.219	(5.6)	.250	(6.4)	.250	(6.4)	.297	(7.5)	.335	(8.5)	WT414
23	.312	(7.9)	.250	(6.4)	.281	(7.1)	.250	(6.4)	.327	(8.3)	.372	(9.4)	WT416
26	.312	(7.9)	.275	(7.0)	.306	(7.8)	.250	(6.4)	.375	(9.5)	.406	(10.3)	WT440/5451
29	.312	(7.9)	.297	(7.5)	.335	(8.5)	.250	(6.4)	.405	(10.3)	.453	(11.5)	WT440/5452
30	.312	(7.9)	.312	(7.9)	.365	(9.3)	.250	(6.4)	.425	(10.8)	.473	(12.0)	WT440/5454
31	.312	(7.9)	.375	(9.5)	.406	(10.3)	.250	(6.4)	.500	(12.7)	.560	(14.2)	WT440/5457
32	.600	(15.2)	.430	(10.9)	.500	(12.7)	.440	(11.2)	.590	(15.0)	.670	(17.0)	GS590
33	.600	(15.2)	.550	(14.0)	.620	(15.7)	.440	(11.2)	.710	(18.0)	.790	(20.1)	GS710
34	.600	(15.2)	.670	(17.0)	.750	(19.1)	.440	(11.2)	.840	(21.3)	.920	(23.4)	GS840
35	.600	(15.2)	.810	(20.6)	.880	(22.4)	.440	(11.2)	1.010	(25.7)	1.090	(27.7)	GS1010
36	.600	(15.2)	.920	(23.4)	1.000	(25.4)	.440	(11.2)	1.130	(28.7)	1.210	(30.7)	GS1130
38	.600	(15.2)	1.040	(26.4)	1.120	(28.4)	.440	(11.2)	1.250	(31.8)	1.330	(33.8)	GS1250
39	.600	(15.2)	1.122	(28.5)	1.192	(30.3)	.440	(11.2)	1.332	(33.8)	1.412	(35.9)	GS1332
40	.600	(15.2)	1.224	(31.1)	1.294	(32.9)	.440	(11.2)	1.440	(36.6)	1.520	(38.6)	GS1440
41	.600	(15.2)	1.353	(34.4)	1.423	(36.1)	.440	(11.2)	1.562	(39.7)	1.643	(41.7)	GS1563
42	.600	(15.2)	1.425	(36.2)	1.545	(39.2)	.440	(11.2)	1.670	(42.4)	1.750	(44.5)	GS1670
43	.600	(15.2)	1.550	(39.4)	1.670	(42.4)	.440	(11.2)	1.795	(45.6)	1.875	(47.6)	GS1795
44	.600	(15.2)	1.675	(42.5)	1.795	(45.6)	.440	(11.2)	1.920	(48.8)	2.000	(50.8)	GS1920
45	.600	(15.2)	1.800	(45.7)	1.920	(48.8)	.440	(11.2)	2.045	(51.9)	2.125	(54.0)	GS2045
46	.600	(15.2)	1.925	(48.9)	2.045	(51.9)	.440	(11.2)	2.170	(55.1)	2.250	(57.2)	GS2170
47	.600	(15.2)	2.050	(52.1)	2.170	(55.1)	.440	(11.2)	2.295	(58.3)	2.375	(60.3)	GS2295
48	.600	(15.2)	2.175	(55.2)	2.295	(58.3)	.440	(11.2)	2.420	(61.5)	2.500	(63.5)	GS2420
49	.600	(15.2)	2.300	(58.4)	2.420	(61.5)	.440	(11.2)	2.545	(64.6)	2.625	(66.7)	GS2545
50	.600	(15.2)	2.425	(61.6)	2.545	(64.6)	.440	(11.2)	2.670	(67.8)	2.750	(69.9)	GS2670
51	.600	(15.2)	2.530	(64.3)	2.670	(67.8)	.440	(11.2)	2.795	(71.0)	2.875	(73.0)	GS2795
52	.600	(15.2)	2.655	(67.4)	2.795	(71.0)	.440	(11.2)	2.920	(74.2)	3.000	(76.2)	GS2920
53	.600	(15.2)	2.780	(70.6)	2.920	(74.2)	.440	(11.2)	3.045	(77.3)	3.125	(79.4)	GS3045
54	.600	(15.2)	2.905	(73.8)	3.045	(77.3)	.440	(11.2)	3.170	(80.5)	3.250	(82.6)	GS3170

**CONNECTOR  
DESIGNATORS  
A-F-H-L-S  
ROTATABLE  
COUPLING**



**STYLE 2  
(See Note 1)**

1. When maximum cable entry (page 21) is exceeded, Style 2 will be supplied (not available in Function C). Dimensions D, E, F and G will not apply. Please consult factory.
2. For proper installation of crimp ring, use Thomas & Betts (or equivalent) installation dies listed (Table IV) for each dash no.
3. Metric dimensions (mm) are indicated in parentheses.
4. Dimensions shown are not intended for inspection criteria.
5. Angular function "C", low-profile split elbow, not available with "S" connector designator.



440-063  
EMI/RFI Crimp Ring Adapter  
Rotatable Coupling - Split Shell



440

See inside back cover fold-out or pages 13 and 14 for Tables I and II.

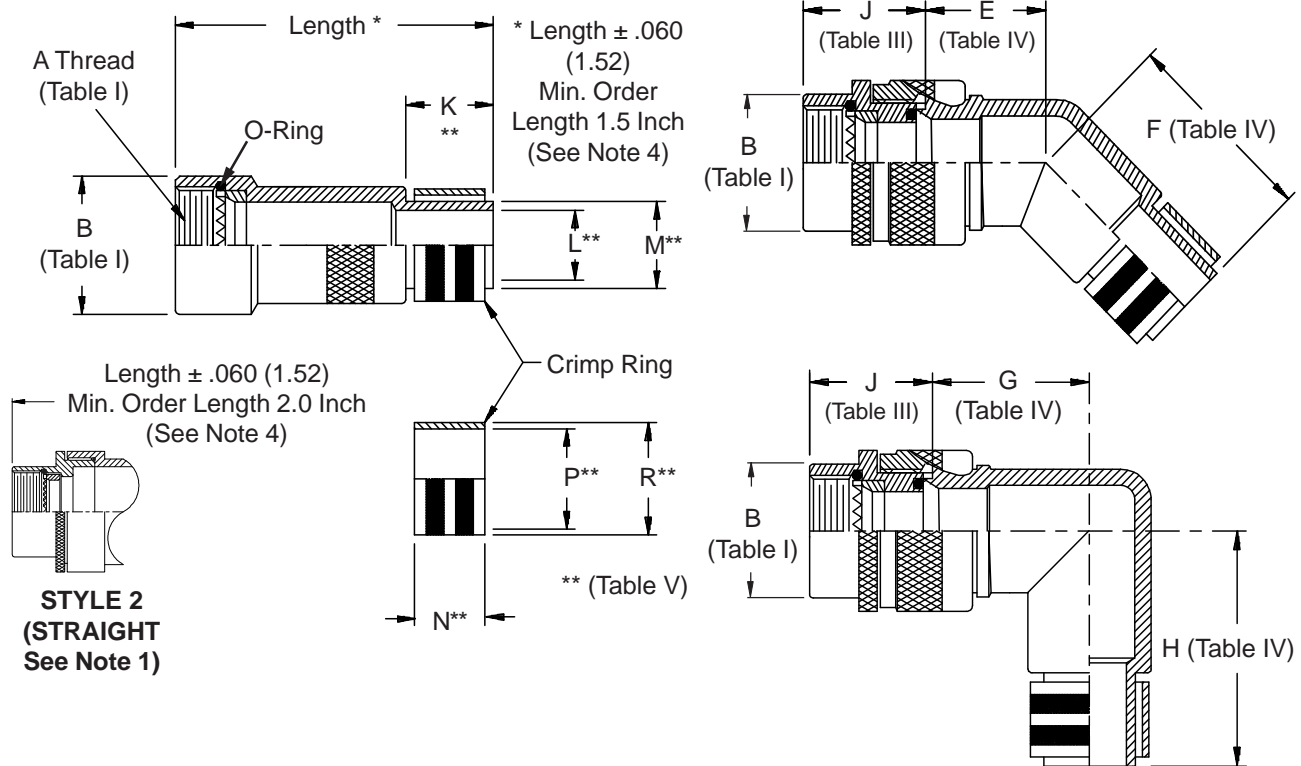
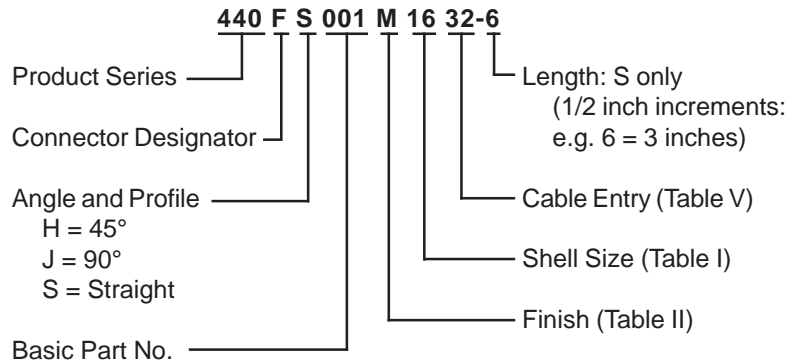
TABLE III: ELBOW DIMENSIONS

Shell Size	D Max	E Max	F Max	G Max	H Ref	J Max	K Max	Function C Max Wire Bundle
08/09	.440 (11.2)	1.402 (35.6)	.680 (17.3)	1.342 (34.1)	.340 (8.6)	1.682 (42.7)	.681 (17.3)	.250 (6.4)
10/11	.500 (12.7)	1.462 (37.1)	.750 (19.1)	1.402 (35.6)	.270 (6.9)	1.842 (46.8)	.731 (18.6)	.375 (9.5)
12/13	.560 (14.2)	1.820 (46.2)	.810 (20.6)	1.760 (44.7)	.270 (6.9)	2.130 (54.1)	.731 (18.6)	.375 (9.5)
14/15	.620 (15.7)	1.850 (47.0)	.870 (22.1)	1.790 (45.5)	.280 (7.1)	2.200 (55.9)	.831 (21.1)	.500 (12.7)
16/17	.680 (17.3)	1.950 (49.5)	.930 (23.6)	1.890 (48.0)	.420 (10.7)	2.250 (57.2)	.981 (24.9)	.625 (15.9)
18/19	.750 (19.1)	2.010 (51.1)	1.000 (25.4)	1.950 (49.5)	.640 (16.3)	2.280 (57.9)	1.181 (30.0)	.625 (15.9)
20/21	.820 (20.8)	2.070 (52.6)	1.060 (26.9)	2.010 (51.1)	.640 (16.3)	2.280 (57.9)	1.181 (30.0)	.625 (15.9)
22/23	.880 (22.4)	2.130 (54.1)	1.120 (28.4)	2.070 (52.6)	.540 (13.7)	2.430 (61.7)	1.181 (30.0)	.750 (19.1)
24/25	.940 (23.9)	2.190 (55.6)	1.180 (30.0)	2.130 (54.1)	.540 (13.7)	2.430 (61.7)	1.181 (30.0)	.750 (19.1)

TABLE IV: CABLE ENTRY

Dash No.	L Nom	M Nom	N Nom	P Nom	R Nom	S Nom	Color Code (Ref.)	Inst. Tool Die No. (Note 2)
06	.312 (7.9)	.090 (2.3)	.113 (2.9)	.250 (6.4)	.156 (4.0)	.194 (4.9)	Yellow	WT402
10	.312 (7.9)	.124 (3.1)	.145 (3.7)	.250 (6.4)	.187 (4.7)	.227 (5.8)	Orange	WT406
13	.312 (7.9)	.149 (3.8)	.179 (4.5)	.250 (6.4)	.225 (5.7)	.256 (6.5)	Purple	WT409
16	.312 (7.9)	.175 (4.4)	.215 (5.5)	.250 (6.4)	.261 (6.6)	.297 (7.5)	Yellow	WT411
20	.312 (7.9)	.219 (5.6)	.250 (6.4)	.250 (6.4)	.297 (7.5)	.335 (8.5)	Green	WT414
23	.312 (7.9)	.250 (6.4)	.281 (7.1)	.250 (6.4)	.327 (8.3)	.372 (9.4)	Tin	WT416
26	.312 (7.9)	.275 (7.0)	.306 (7.8)	.250 (6.4)	.375 (9.5)	.406 (10.3)	Yellow	WT440/5451
29	.312 (7.9)	.297 (7.5)	.335 (8.5)	.250 (6.4)	.405 (10.3)	.453 (11.5)	Red	WT440/5452
30	.312 (7.9)	.312 (7.9)	.365 (9.3)	.250 (6.4)	.425 (10.8)	.473 (12.0)	Tin	WT440/5454
31	.312 (7.9)	.375 (9.5)	.406 (10.3)	.250 (6.4)	.500 (12.7)	.560 (14.2)	Green	WT440/5457
32	.600 (15.2)	.430 (10.9)	.500 (12.7)	.440 (11.2)	.590 (15.0)	.670 (17.0)	Red	GS590
33	.600 (15.2)	.550 (14.0)	.620 (15.7)	.440 (11.2)	.710 (18.0)	.790 (20.1)	Blue	GS710
34	.600 (15.2)	.670 (17.0)	.750 (19.1)	.440 (11.2)	.840 (21.3)	.920 (23.4)	Gray	GS840
35	.600 (15.2)	.810 (20.6)	.880 (22.4)	.440 (11.2)	1.010 (25.7)	1.090 (27.7)	Brown	GS1010
36	.600 (15.2)	.920 (23.4)	1.000 (25.4)	.440 (11.2)	1.130 (28.7)	1.210 (30.7)	Green	GS1130
38	.600 (15.2)	1.040 (26.4)	1.120 (28.4)	.440 (11.2)	1.250 (31.8)	1.330 (33.8)	Pink	GS1250
39	.600 (15.2)	1.122 (28.5)	1.192 (30.3)	.440 (11.2)	1.332 (33.8)	1.412 (35.9)	Orange	GS1332
40	.600 (15.2)	1.224 (31.1)	1.294 (32.9)	.440 (11.2)	1.440 (36.6)	1.520 (38.6)	Purple	GS1440
41	.600 (15.2)	1.353 (34.4)	1.423 (36.1)	.440 (11.2)	1.562 (39.7)	1.643 (41.7)	Yellow	GS1563
42	.600 (15.2)	1.425 (36.2)	1.545 (39.2)	.440 (11.2)	1.670 (42.4)	1.750 (44.5)	Red	GS1670
43	.600 (15.2)	1.550 (39.4)	1.670 (42.4)	.440 (11.2)	1.795 (45.6)	1.875 (47.6)	Blue	GS1795
44	.600 (15.2)	1.675 (42.5)	1.795 (45.6)	.440 (11.2)	1.920 (48.8)	2.000 (50.8)	Gray	GS1920
45	.600 (15.2)	1.800 (45.7)	1.920 (48.8)	.440 (11.2)	2.045 (51.9)	2.125 (54.0)	Brown	GS2045
46	.600 (15.2)	1.925 (48.9)	2.045 (51.9)	.440 (11.2)	2.170 (55.1)	2.250 (57.2)	Green	GS2170
47	.600 (15.2)	2.050 (52.1)	2.170 (55.1)	.440 (11.2)	2.295 (58.3)	2.375 (60.3)	Pink	GS2295
48	.600 (15.2)	2.175 (55.2)	2.295 (58.3)	.440 (11.2)	2.420 (61.5)	2.500 (63.5)	Orange	GS2420
49	.600 (15.2)	2.300 (58.4)	2.420 (61.5)	.440 (11.2)	2.545 (64.6)	2.625 (66.7)	Purple	GS2545
50	.600 (15.2)	2.425 (61.6)	2.545 (64.6)	.440 (11.2)	2.670 (67.8)	2.750 (69.9)	Yellow	GS2670
51	.600 (15.2)	2.530 (64.3)	2.670 (67.8)	.440 (11.2)	2.795 (71.0)	2.875 (73.0)	Red	GS2795
52	.600 (15.2)	2.655 (67.4)	2.795 (71.0)	.440 (11.2)	2.920 (74.2)	3.000 (76.2)	Blue	GS2920
53	.600 (15.2)	2.780 (70.6)	2.920 (74.2)	.440 (11.2)	3.045 (77.3)	3.125 (79.4)	Gray	GS3045
54	.600 (15.2)	2.905 (73.8)	3.045 (77.3)	.440 (11.2)	3.170 (80.5)	3.250 (82.6)	Brown	GS3170

**CONNECTOR  
DESIGNATORS**  
**A-B\*-C-D-E-F**  
**G-H-J-K-L-S**  
 \* Conn. Desig. B See Note 5  
**DIRECT COUPLING**



See inside back cover fold-out or pages 13 and 14 for Tables I and II.

1. When maximum cable entry (page 22- Introduction) is exceeded, Style 2 will be supplied. (Function S only).
2. For proper installation of crimp ring, use Thomas & Betts (or equivalent) installation dies listed (Table V) for each dash no.
3. Metric dimensions (mm) are indicated in parentheses.
4. Consult factory for shorter lengths on straight backshells.
5. When using Connector Designator B refer to pages 18 and 19 for part number development.



**440-001**  
**EMI/RFI Crimp Ring Adapter**  
**Direct Coupling - Standard Profile**



440

**TABLE III: FRONT ADAPTER**

Shell Size	J Max - Conn. Designator		
	A-E-F		
	J-H-L-S	D-B-G-K	C
08/09	1.180 (30.0)	1.250 (31.8)	
10/11	1.180 (30.0)	1.250 (31.8)	
12/13	1.180 (30.0)	1.250 (31.8)	1.735 (44.1)
14/15	1.180 (30.0)	1.250 (31.8)	1.915 (48.6)
16/17	1.380 (35.0)	1.560 (39.6)	1.915 (48.6)
18/19	1.380 (35.0)	1.560 (39.6)	1.915 (48.6)
20/21	1.380 (35.0)	1.560 (39.6)	1.915 (48.6)
22/23	1.380 (35.0)	1.560 (39.6)	1.915 (48.6)
24/25	1.380 (35.0)	1.560 (39.6)	1.915 (48.6)
28/29	1.610 (40.9)	1.560 (39.6)	1.915 (48.6)
32/33	1.610 (40.9)	1.750 (44.5)	1.915 (48.6)
36	1.610 (40.9)	1.750 (44.5)	1.915 (48.6)
40	1.610 (40.9)	2.190 (55.6)	1.915 (48.6)

**TABLE IV: ELBOW DIMENSIONS**

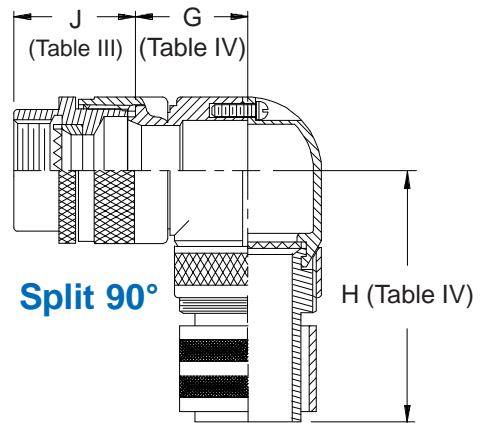
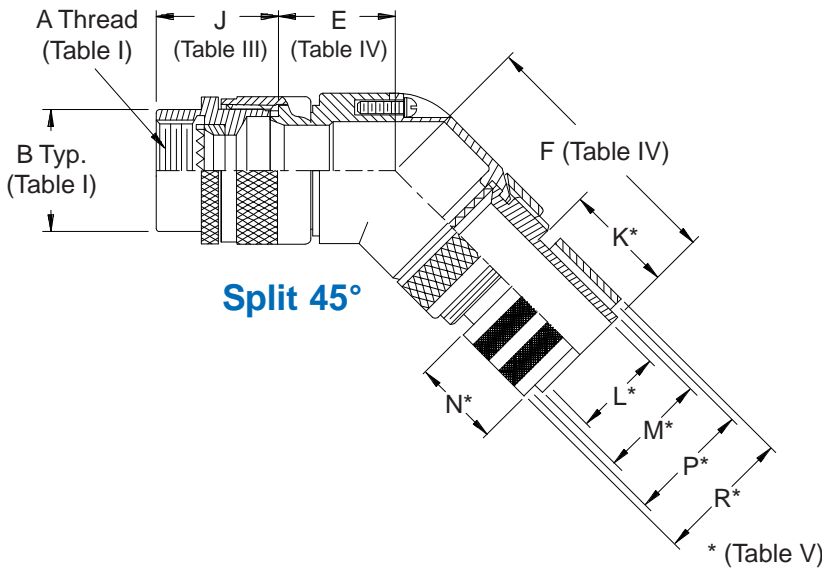
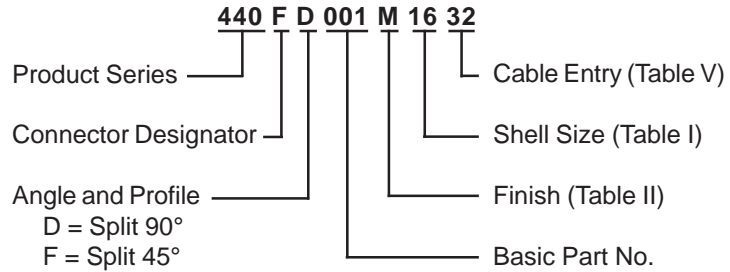
Dash No.'s (Table V)	E Max	F Max	G Max	H Max
06-23	.639 (16.2)	.702 (17.8)	.750 (19.1)	.812 (20.6)
26-30	.664 (16.9)	.732 (18.6)	.812 (20.6)	.875 (22.2)
31-32	.688 (17.5)	1.040 (26.4)	.875 (22.2)	1.220 (31.0)
33	.705 (17.9)	1.070 (27.2)	.920 (23.4)	1.290 (32.8)
34	.732 (18.6)	1.090 (27.7)	.980 (24.9)	1.350 (34.3)
35	.773 (19.6)	1.100 (27.9)	1.020 (25.9)	1.370 (34.8)
36	.800 (20.3)	1.160 (29.5)	1.140 (29.0)	1.510 (38.4)
38-39	.823 (20.9)	1.190 (30.2)	1.200 (30.5)	1.580 (40.1)

**TABLE V: CABLE ENTRY**

Dash No.	K Nom	L Nom	M Nom	N Nom	P Nom	R Nom	Color Code (Ref.)	Inst. Die No. (Note 2)	Tool
06	.312 (7.9)	.090 (2.3)	.113 (2.9)	.250 (6.4)	.156 (4.0)	.194 (4.9)	Yellow	WT402	
10	.312 (7.9)	.124 (3.1)	.145 (3.7)	.250 (6.4)	.187 (4.7)	.227 (5.8)	Orange	WT406	
13	.312 (7.9)	.149 (3.8)	.179 (4.5)	.250 (6.4)	.225 (5.7)	.256 (6.5)	Purple	WT409	
16	.312 (7.9)	.175 (4.4)	.215 (5.5)	.250 (6.4)	.261 (6.6)	.297 (7.5)	Yellow	WT411	
20	.312 (7.9)	.219 (5.6)	.250 (6.4)	.250 (6.4)	.297 (7.5)	.335 (8.5)	Green	WT414	
23	.312 (7.9)	.250 (6.4)	.281 (7.1)	.250 (6.4)	.327 (8.3)	.372 (9.4)	Tin	WT416	
26	.312 (7.9)	.275 (7.0)	.306 (7.8)	.250 (6.4)	.375 (9.5)	.406 (10.3)	Yellow	WT440/5451	
29	.312 (7.9)	.297 (7.5)	.335 (8.5)	.250 (6.4)	.405 (10.3)	.453 (11.5)	Red	WT440/5452	
30	.312 (7.9)	.312 (7.9)	.365 (9.3)	.250 (6.4)	.425 (10.8)	.473 (12.0)	Tin	WT440/5454	
31	.312 (7.9)	.375 (9.5)	.406 (10.3)	.250 (6.4)	.500 (12.7)	.560 (14.2)	Green	WT440/5457	
32	.600 (15.2)	.430 (10.9)	.500 (12.7)	.440 (11.2)	.590 (15.0)	.670 (17.0)	Red	GS590	
33	.600 (15.2)	.550 (14.0)	.620 (15.7)	.440 (11.2)	.710 (18.0)	.790 (20.1)	Blue	GS710	
34	.600 (15.2)	.670 (17.0)	.750 (19.1)	.440 (11.2)	.840 (21.3)	.920 (23.4)	Gray	GS840	
35	.600 (15.2)	.810 (20.6)	.880 (22.4)	.440 (11.2)	1.010 (25.7)	1.090 (27.7)	Brown	GS1010	
36	.600 (15.2)	.920 (23.4)	1.000 (25.4)	.440 (11.2)	1.130 (28.7)	1.210 (30.7)	Green	GS1130	
38	.600 (15.2)	1.040 (26.4)	1.120 (28.4)	.440 (11.2)	1.250 (31.8)	1.330 (33.8)	Pink	GS1250	
39	.600 (15.2)	1.122 (28.5)	1.192 (30.3)	.440 (11.2)	1.332 (33.8)	1.412 (35.9)	Orange	GS1332	
40	.600 (15.2)	1.224 (31.1)	1.294 (32.9)	.440 (11.2)	1.440 (36.6)	1.520 (38.6)	Purple	GS1440	
41	.600 (15.2)	1.353 (34.4)	1.423 (36.1)	.440 (11.2)	1.562 (39.7)	1.643 (41.7)	Yellow	GS1563	
42	.600 (15.2)	1.425 (36.2)	1.545 (39.2)	.440 (11.2)	1.670 (42.4)	1.750 (44.5)	Red	GS1670	
43	.600 (15.2)	1.550 (39.4)	1.670 (42.4)	.440 (11.2)	1.795 (45.6)	1.875 (47.6)	Blue	GS1795	
44	.600 (15.2)	1.675 (42.5)	1.795 (45.6)	.440 (11.2)	1.920 (48.8)	2.000 (50.8)	Gray	GS1920	
45	.600 (15.2)	1.800 (45.7)	1.920 (48.8)	.440 (11.2)	2.045 (51.9)	2.125 (54.0)	Brown	GS2045	
46	.600 (15.2)	1.925 (48.9)	2.045 (51.9)	.440 (11.2)	2.170 (55.1)	2.250 (57.2)	Green	GS2170	
47	.600 (15.2)	2.050 (52.1)	2.170 (55.1)	.440 (11.2)	2.295 (58.3)	2.375 (60.3)	Pink	GS2295	
48	.600 (15.2)	2.175 (55.2)	2.295 (58.3)	.440 (11.2)	2.420 (61.5)	2.500 (63.5)	Orange	GS2420	
49	.600 (15.2)	2.300 (58.4)	2.420 (61.5)	.440 (11.2)	2.545 (64.6)	2.625 (66.7)	Purple	GS2545	
50	.600 (15.2)	2.425 (61.6)	2.545 (64.6)	.440 (11.2)	2.670 (67.8)	2.750 (69.9)	Yellow	GS2670	
51	.600 (15.2)	2.530 (64.3)	2.670 (67.8)	.440 (11.2)	2.795 (71.0)	2.875 (73.0)	Red	GS2795	
52	.600 (15.2)	2.655 (67.4)	2.795 (71.0)	.440 (11.2)	2.920 (74.2)	3.000 (76.2)	Blue	GS2920	
53	.600 (15.2)	2.780 (70.6)	2.920 (74.2)	.440 (11.2)	3.045 (77.3)	3.125 (79.4)	Gray	GS3045	
54	.600 (15.2)	2.905 (73.8)	3.045 (77.3)	.440 (11.2)	3.170 (80.5)	3.250 (82.6)	Brown	GS3170	



**CONNECTOR DESIGNATORS**  
**A-B\*-C-D-E-F**  
**G-H-J-K-L-S**  
*\* Conn. Desig. B See Note 4*  
**DIRECT COUPLING**



**TABLE III: FRONT ADAPTER**

Shell Size	J Max - Conn. Designator		
	A-E-F	D-B-G-K	C
08/09	1.180 (30.0)	1.250 (31.8)	
10/11	1.180 (30.0)	1.250 (31.8)	
12/13	1.180 (30.0)	1.250 (31.8)	1.735 (44.1)
14/15	1.180 (30.0)	1.250 (31.8)	1.915 (48.6)
16/17	1.380 (35.0)	1.560 (39.6)	1.915 (48.6)
18/19	1.380 (35.0)	1.560 (39.6)	1.915 (48.6)
20/21	1.380 (35.0)	1.560 (39.6)	1.915 (48.6)
22/23	1.380 (35.0)	1.560 (39.6)	1.915 (48.6)
24/25	1.380 (35.0)	1.560 (39.6)	1.915 (48.6)
28/29	1.610 (40.9)	1.560 (39.6)	1.915 (48.6)
32/33	1.610 (40.9)	1.750 (44.5)	1.915 (48.6)
36	1.610 (40.9)	1.750 (44.5)	1.915 (48.6)
40	1.610 (40.9)	2.190 (55.6)	1.915 (48.6)

**See inside back cover fold-out or pages 13 and 14 for Tables I and II.**

1. For proper installation of crimp ring, use Thomas & Betts (or equivalent) installation dies listed (Table V) for each dash no.
2. Metric dimensions (mm) are indicated in parentheses.
3. Dimensions shown are not intended for inspection criteria.
4. When using Connector Designator B refer to pages 18 and 19 for part number development.

**440-001**  
**EMI/RFI Crimp Ring Adapter**  
**Direct Coupling - Split Shell**



440

**TABLE IV: ELBOW DIMENSIONS**

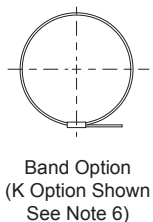
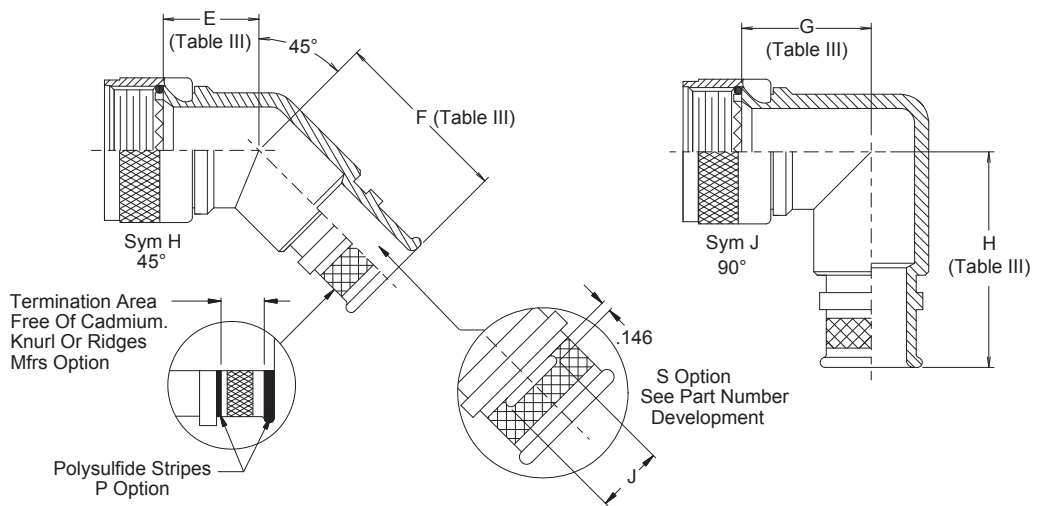
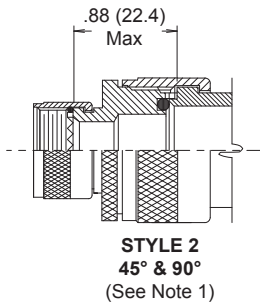
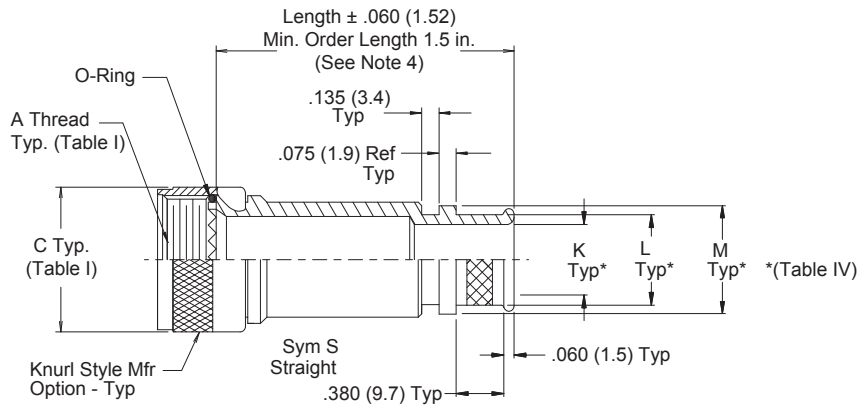
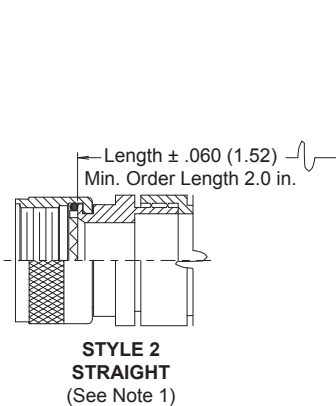
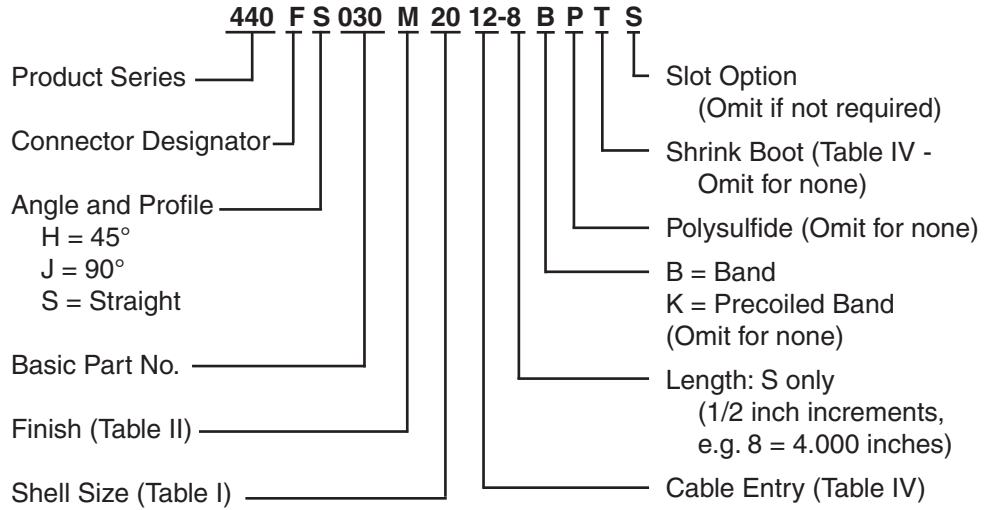
Dash No.'s (Table V)	E Max	F Max	G Max	H Max
06-23	.440 (11.2)	1.402 (35.6)	.680 (17.3)	1.342 (34.1)
26-30	.500 (12.7)	1.462 (37.1)	.750 (19.1)	1.402 (35.6)
31-32	.560 (14.2)	1.820 (46.2)	.810 (20.6)	1.760 (44.7)
33	.620 (15.7)	1.850 (47.0)	.870 (22.1)	1.790 (45.5)
34	.680 (17.3)	1.950 (49.5)	.930 (23.6)	1.890 (48.0)
35	.820 (20.8)	2.070 (52.6)	1.060 (26.9)	2.010 (51.1)
36	.880 (22.4)	2.130 (54.1)	1.120 (28.4)	2.070 (52.6)
38-39	.940 (23.9)	2.190 (55.6)	1.180 (30.0)	2.130 (54.1)

**TABLE V: CABLE ENTRY**

Dash No.	K Nom	L Nom	M Nom	N Nom	P Nom	R Nom	Color Code (Ref.)	Inst. Tool Die No. (Note 2)
06	.312 (7.9)	.090 (2.3)	.113 (2.9)	.250 (6.4)	.156 (4.0)	.194 (4.9)	Yellow	WT402
10	.312 (7.9)	.124 (3.1)	.145 (3.7)	.250 (6.4)	.187 (4.7)	.227 (5.8)	Orange	WT406
13	.312 (7.9)	.149 (3.8)	.179 (4.5)	.250 (6.4)	.225 (5.7)	.256 (6.5)	Purple	WT409
16	.312 (7.9)	.175 (4.4)	.215 (5.5)	.250 (6.4)	.261 (6.6)	.297 (7.5)	Yellow	WT411
20	.312 (7.9)	.219 (5.6)	.250 (6.4)	.250 (6.4)	.297 (7.5)	.335 (8.5)	Green	WT414
23	.312 (7.9)	.250 (6.4)	.281 (7.1)	.250 (6.4)	.327 (8.3)	.372 (9.4)	Tin	WT416
26	.312 (7.9)	.275 (7.0)	.306 (7.8)	.250 (6.4)	.375 (9.5)	.406 (10.3)	Yellow	WT440/5451
29	.312 (7.9)	.297 (7.5)	.335 (8.5)	.250 (6.4)	.405 (10.3)	.453 (11.5)	Red	WT440/5452
30	.312 (7.9)	.312 (7.9)	.365 (9.3)	.250 (6.4)	.425 (10.8)	.473 (12.0)	Tin	WT440/5454
31	.312 (7.9)	.375 (9.5)	.406 (10.3)	.250 (6.4)	.500 (12.7)	.560 (14.2)	Green	WT440/5457
32	.600 (15.2)	.430 (10.9)	.500 (12.7)	.440 (11.2)	.590 (15.0)	.670 (17.0)	Red	GS590
33	.600 (15.2)	.550 (14.0)	.620 (15.7)	.440 (11.2)	.710 (18.0)	.790 (20.1)	Blue	GS710
34	.600 (15.2)	.670 (17.0)	.750 (19.1)	.440 (11.2)	.840 (21.3)	.920 (23.4)	Gray	GS840
35	.600 (15.2)	.810 (20.6)	.880 (22.4)	.440 (11.2)	1.010 (25.7)	1.090 (27.7)	Brown	GS1010
36	.600 (15.2)	.920 (23.4)	1.000 (25.4)	.440 (11.2)	1.130 (28.7)	1.210 (30.7)	Green	GS1130
38	.600 (15.2)	1.040 (26.4)	1.120 (28.4)	.440 (11.2)	1.250 (31.8)	1.330 (33.8)	Pink	GS1250
39	.600 (15.2)	1.122 (28.5)	1.192 (30.3)	.440 (11.2)	1.332 (33.8)	1.412 (35.9)	Orange	GS1332
40	.600 (15.2)	1.224 (31.1)	1.294 (32.9)	.440 (11.2)	1.440 (36.6)	1.520 (38.6)	Purple	GS1440
41	.600 (15.2)	1.353 (34.4)	1.423 (36.1)	.440 (11.2)	1.562 (39.7)	1.643 (41.7)	Yellow	GS1563
42	.600 (15.2)	1.425 (36.2)	1.545 (39.2)	.440 (11.2)	1.670 (42.4)	1.750 (44.5)	Red	GS1670
43	.600 (15.2)	1.550 (39.4)	1.670 (42.4)	.440 (11.2)	1.795 (45.6)	1.875 (47.6)	Blue	GS1795
44	.600 (15.2)	1.675 (42.5)	1.795 (45.6)	.440 (11.2)	1.920 (48.8)	2.000 (50.8)	Gray	GS1920
45	.600 (15.2)	1.800 (45.7)	1.920 (48.8)	.440 (11.2)	2.045 (51.9)	2.125 (54.0)	Brown	GS2045
46	.600 (15.2)	1.925 (48.9)	2.045 (51.9)	.440 (11.2)	2.170 (55.1)	2.250 (57.2)	Green	GS2170
47	.600 (15.2)	2.050 (52.1)	2.170 (55.1)	.440 (11.2)	2.295 (58.3)	2.375 (60.3)	Pink	GS2295
48	.600 (15.2)	2.175 (55.2)	2.295 (58.3)	.440 (11.2)	2.420 (61.5)	2.500 (63.5)	Orange	GS2420
49	.600 (15.2)	2.300 (58.4)	2.420 (61.5)	.440 (11.2)	2.545 (64.6)	2.625 (66.7)	Purple	GS2545
50	.600 (15.2)	2.425 (61.6)	2.545 (64.6)	.440 (11.2)	2.670 (67.8)	2.750 (69.9)	Yellow	GS2670
51	.600 (15.2)	2.530 (64.3)	2.670 (67.8)	.440 (11.2)	2.795 (71.0)	2.875 (73.0)	Red	GS2795
52	.600 (15.2)	2.655 (67.4)	2.795 (71.0)	.440 (11.2)	2.920 (74.2)	3.000 (76.2)	Blue	GS2920
53	.600 (15.2)	2.780 (70.6)	2.920 (74.2)	.440 (11.2)	3.045 (77.3)	3.125 (79.4)	Gray	GS3045
54	.600 (15.2)	2.905 (73.8)	3.045 (77.3)	.440 (11.2)	3.170 (80.5)	3.250 (82.6)	Brown	GS3170

**CONNECTOR  
DESIGNATORS**

**A-F-H-L  
ROTATABLE  
COUPLING**



**440-030**  
**EMI/RFI Banding and Shrink Boot Adapter**  
**Rotatable Coupling - Standard Profile**



See inside back cover fold-out or pages 13 and 14 for Tables I and II.

**TABLE III: ELBOW DIMENSIONS**

Shell Size		E *** Max	F Max	G *** Max	H *** Max
Conn. Desig. A-F-L	H				
08	09	.531 (13.5)	.940 (23.9)	.639 (16.2)	1.110 (28.2)
10	11	.594 (15.1)	1.000 (25.4)	.664 (16.9)	1.140 (29.0)
12	13	.618 (15.7)	1.050 (26.7)	.688 (17.5)	1.160 (29.5)
14	15	.656 (16.7)	1.090 (27.7)	.705 (17.9)	1.190 (30.2)
16	17	.688 (17.5)	1.150 (29.2)	.732 (18.6)	1.210 (30.7)
18	19	.748 (19.0)	1.190 (30.2)	.803 (20.4)	1.221 (31.0)
20	21	.773 (19.6)	1.250 (31.8)	1.031 (26.2)	1.281 (32.5)
22	23	.800 (20.3)	1.320 (33.5)	1.156 (29.4)	1.351 (34.3)
24	25	.823 (20.9)	1.380 (35.1)	1.219 (31.0)	1.410 (35.8)
28		1.041 (26.4)	1.500 (38.1)	1.281 (32.5)	1.531 (38.9)
32		1.092 (27.7)	1.620 (41.1)	1.593 (40.5)	1.651 (41.9)
36		1.136 (28.9)	1.750 (44.5)	1.718 (43.6)	1.781 (45.2)

\*\*\* These maximum dimensions are increased by .187 (4.7) when parts are fabricated from stainless steel, and connector designator is "S".

**TABLE IV: CABLE ENTRY**

Dash No.	J	K	L	M	Shrink Boot
01	.125 (3.2)	.125 (3.2)	.250 (6.4)	.312 (7.9)	770-003S111
31	.170 (4.3)	.188 (4.8)	.312 (7.9)	.374 (9.5)	770-003S111
02	.170 (4.3)	.250 (6.4)	.375 (9.5)	.437 (11.1)	770-003S112
32	.170 (4.3)	.312 (7.9)	.438 (11.1)	.500 (12.7)	770-003S112
03	.250 (6.4)	.375 (9.5)	.500 (12.7)	.562 (14.3)	770-003S103
33	.250 (6.4)	.438 (11.1)	.562 (14.3)	.624 (15.8)	770-001S104
04	.250 (6.4)	.500 (12.7)	.625 (15.9)	.687 (17.4)	770-001S104
34	.250 (6.4)	.562 (14.3)	.688 (17.5)	.750 (19.1)	770-001S104
05	.500 (12.7)	.625 (15.9)	.750 (19.1)	.812 (20.6)	770-001S104
35	.500 (12.7)	.688 (17.5)	.812 (20.6)	.874 (22.2)	770-001S104
06	.500 (12.7)	.750 (19.1)	.875 (22.2)	.937 (23.8)	770-001S105
36	.500 (12.7)	.812 (20.6)	.938 (23.8)	1.000 (25.4)	770-001S105
07	.500 (12.7)	.875 (22.2)	1.000 (25.4)	1.062 (27.0)	770-001S105
37	.500 (12.7)	.938 (23.8)	1.062 (27.0)	1.124 (28.5)	770-001S105
08	.500 (12.7)	1.000 (25.4)	1.125 (28.6)	1.187 (30.1)	770-001S106
38	.500 (12.7)	1.062 (27.0)	1.188 (30.2)	1.250 (31.8)	770-001S106
09	.500 (12.7)	1.125 (28.6)	1.250 (31.8)	1.312 (33.3)	770-001S107
10	.750 (19.1)	1.250 (31.8)	1.375 (34.9)	1.437 (36.5)	770-001S107
11	.750 (19.1)	1.375 (34.9)	1.500 (38.1)	1.562 (39.7)	770-001S107
12	1.000 (25.4)	1.500 (38.1)	1.625 (41.3)	1.687 (42.8)	770-001S107
13	1.000 (25.4)	1.625 (41.3)	1.750 (44.5)	1.812 (46.0)	770-001S108
14	1.000 (25.4)	1.750 (44.5)	1.875 (47.6)	1.937 (49.2)	770-001S108
15	1.000 (25.4)	1.875 (47.6)	2.000 (50.8)	2.062 (52.4)	770-001S109
16	1.000 (25.4)	2.000 (50.8)	2.125 (54.0)	2.187 (55.5)	770-001S109

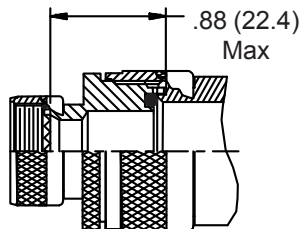
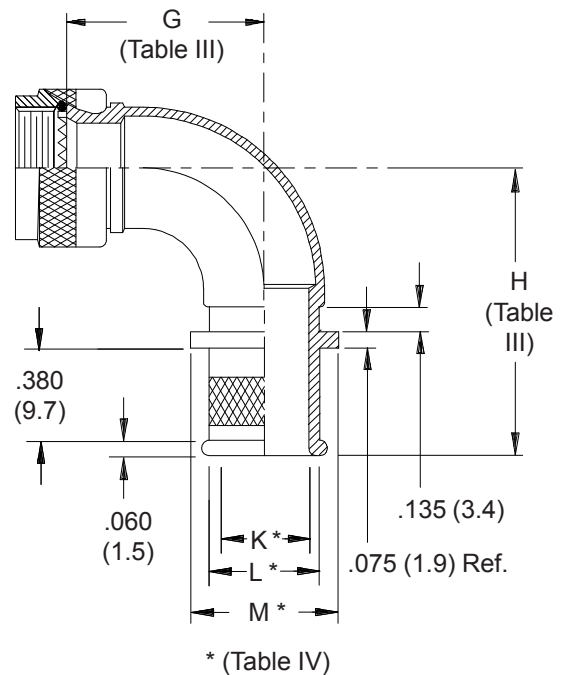
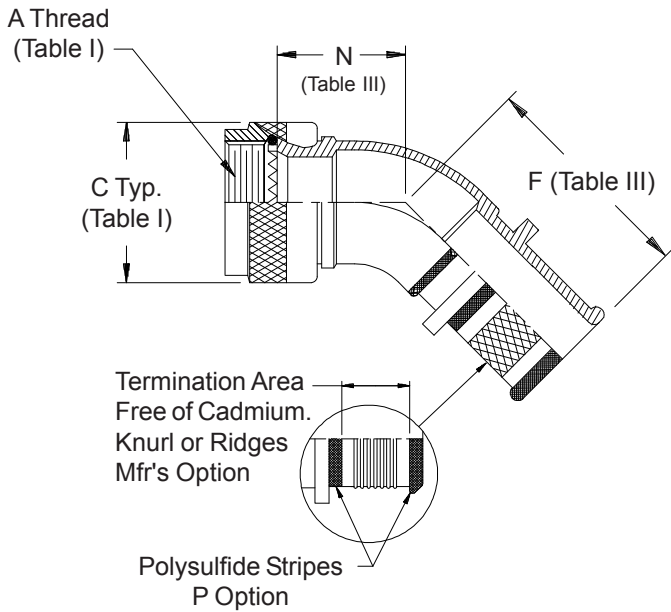
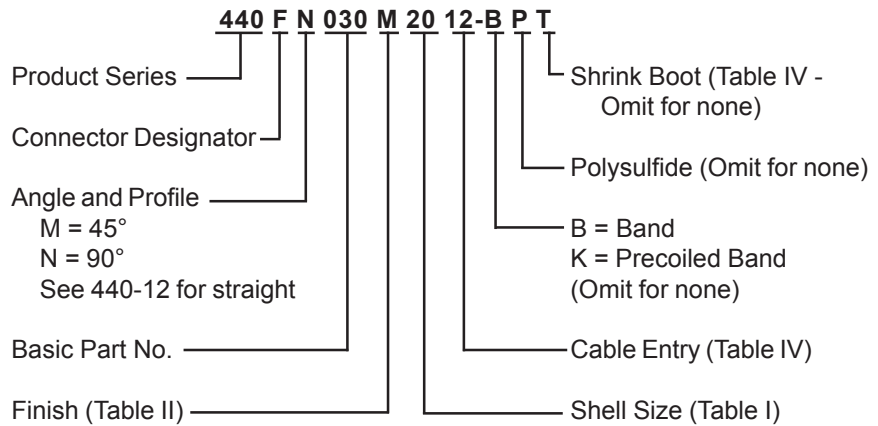
1. When maximum cable entry (page 21) is exceeded, Style 2 will be supplied. Dimensions E, F, G, and H will not apply. Please consult factory.
2. Metric dimensions (mm) are indicated in parentheses.
3. Interface O-Ring not supplied with Connector Designator A.
4. Consult factory for shorter lengths on straight backshells.
5. See page 40 Shrink Boot Reference Information.
6. Backshells supplied with 600-052-\* band, see Glenair Series 600 Tool Catalog for installation.

-445

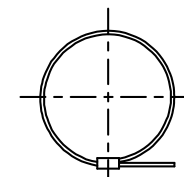
Now Available with the "NESTOR"

**Add "-445" to Specify Glenair's Non-Detent, Spring-Loaded, Self-Locking Coupling. See Page 41 for Details.**

**CONNECTOR  
 DESIGNATORS  
 A-F-H-L  
 ROTATABLE  
 COUPLING**



**STYLE 2**  
 (See Note 1)



Band Option  
 (K Option Shown -  
 See Note 6)

See inside back cover fold-out or pages 13 and 14 for Tables I and II.

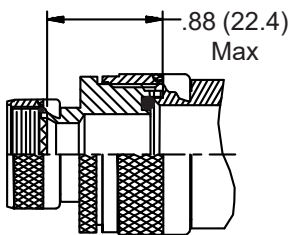
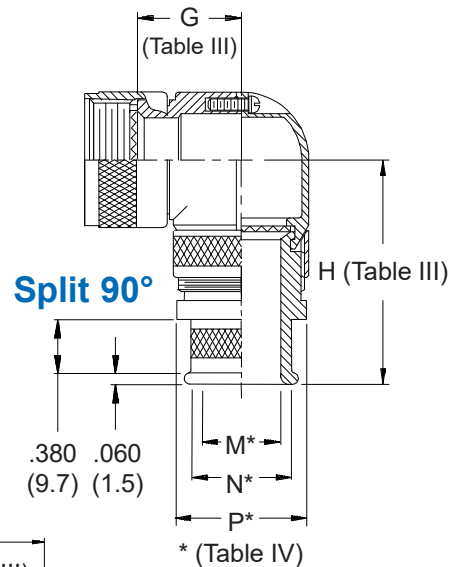
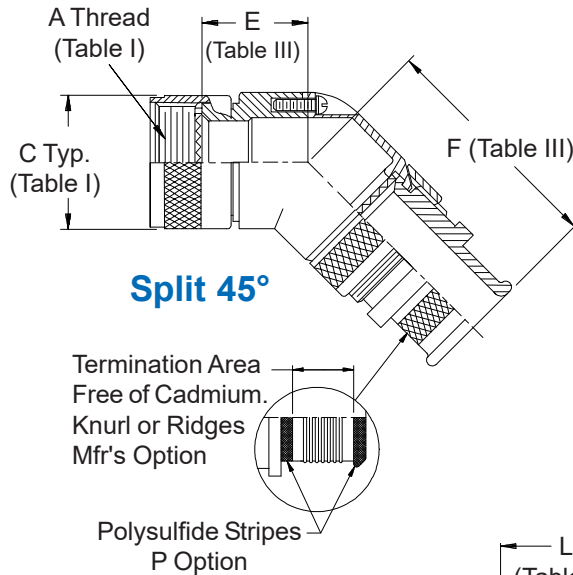
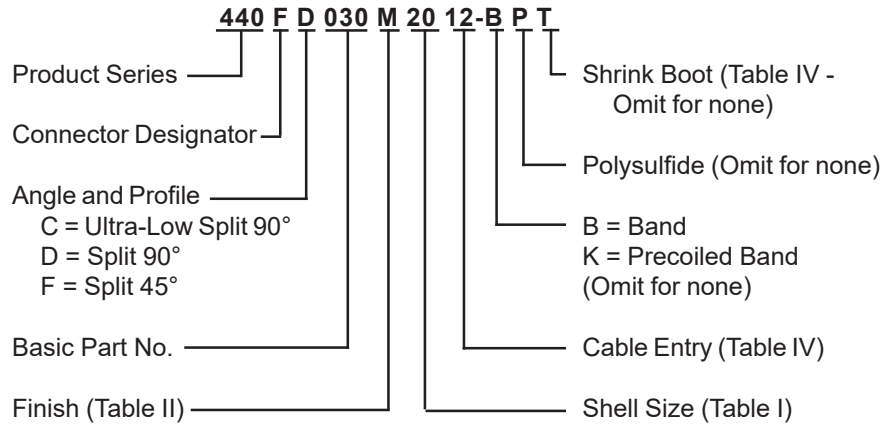
TABLE III: ELBOW DIMENSIONS									
Shell Size		E		F		G		H	
Conn.	Desig.	Max		Max		Max		Max	
A-F-L	H								
08	09	.812	(20.6)	1.017	(25.8)	1.125	(28.6)	1.335	(33.9)
10	11	.875	(22.2)	1.071	(27.2)	1.250	(31.8)	1.460	(37.1)
12	13	.938	(23.8)	1.121	(28.5)	1.375	(34.9)	1.585	(40.3)
14	15	1.000	(25.4)	1.175	(29.8)	1.500	(38.1)	1.710	(43.4)
16	17	1.062	(27.0)	1.224	(31.1)	1.625	(41.3)	1.835	(46.6)
18	19	1.094	(27.8)	1.274	(32.4)	1.750	(44.5)	1.960	(49.8)
20	21	1.156	(29.4)	1.328	(33.7)	1.875	(47.6)	2.085	(53.0)
22	23	1.188	(30.2)	1.382	(35.1)	2.000	(50.8)	2.210	(56.1)
24	25	1.250	(31.8)	1.431	(36.3)	2.125	(54.0)	2.335	(59.3)

TABLE IV: CABLE ENTRY					
Dash No.	K	L	M	Shrink Boot	
01	.125 (3.2)	.250 (6.4)	.312 (7.9)	770-003S111	
31	.188 (4.8)	.312 (7.9)	.374 (9.5)	770-003S111	
02	.250 (6.4)	.375 (9.5)	.437 (11.1)	770-003S112	
32	.312 (7.9)	.438 (11.1)	.500 (12.7)	770-003S112	
03	.375 (9.5)	.500 (12.7)	.562 (14.3)	770-003S112	
33	.438 (11.1)	.562 (14.3)	.624 (15.8)	770-001S104	
04	.500 (12.7)	.625 (15.9)	.687 (17.4)	770-001S104	
34	.562 (14.3)	.688 (17.5)	.750 (19.1)	770-001S104	
05	.625 (15.9)	.750 (19.1)	.812 (20.6)	770-001S104	
35	.688 (17.5)	.812 (20.6)	.874 (22.2)	770-001S104	
06	.750 (19.1)	.875 (22.2)	.937 (23.8)	770-001S105	
36	.812 (20.6)	.938 (23.8)	1.000 (25.4)	770-001S105	
07	.875 (22.2)	1.000 (25.4)	1.062 (27.0)	770-001S105	
37	.938 (23.8)	1.062 (27.0)	1.124 (28.5)	770-001S105	
08	1.000 (25.4)	1.125 (28.6)	1.187 (30.1)	770-001S106	
38	1.062 (27.0)	1.188 (30.2)	1.250 (31.8)	770-001S106	
09	1.125 (28.6)	1.250 (31.8)	1.312 (33.3)	770-001S107	
10	1.250 (31.8)	1.375 (34.9)	1.437 (36.5)	770-001S107	
11	1.375 (34.9)	1.500 (38.1)	1.562 (39.7)	770-001S107	
12	1.500 (38.1)	1.625 (41.3)	1.687 (42.8)	770-001S107	
13	1.625 (41.3)	1.750 (44.5)	1.812 (46.0)	770-001S108	
14	1.750 (44.5)	1.875 (47.6)	1.937 (49.2)	770-001S108	
15	1.875 (47.6)	2.000 (50.8)	2.062 (52.4)	770-001S109	
16	2.000 (50.8)	2.125 (54.0)	2.187 (55.5)	770-001S109	

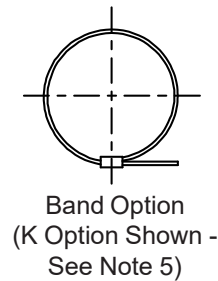
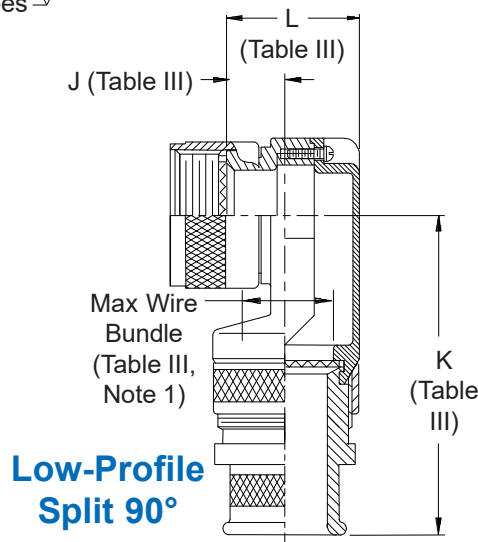
1. When maximum cable entry (page 21) is exceeded, Style 2 will be supplied. Dimensions E, F, G, and H will not apply. Please consult factory.
2. Metric dimensions (mm) are indicated in parentheses.
3. Interface O-Ring not supplied with Connector Designator A.
4. Consult factory for shorter lengths on straight backshells.
5. See page 40 for Shrink Boot Reference Information.
6. Backshells supplied with 600-052-\* band, see Glenair Series 600 Tool Catalog for installation.



**CONNECTOR DESIGNATORS**  
**A-F-H-L-S**  
**ROTATABLE COUPLING**



**STYLE 2**  
 (See Note 1)



**440-030**  
**EMI/RFI Banding and Shrink Boot Adapter**  
**Rotatable Coupling - Split Shell**



See inside back cover fold-out or pages 13 and 14 for Tables I and II.

**TABLE III: ELBOW DIMENSIONS**

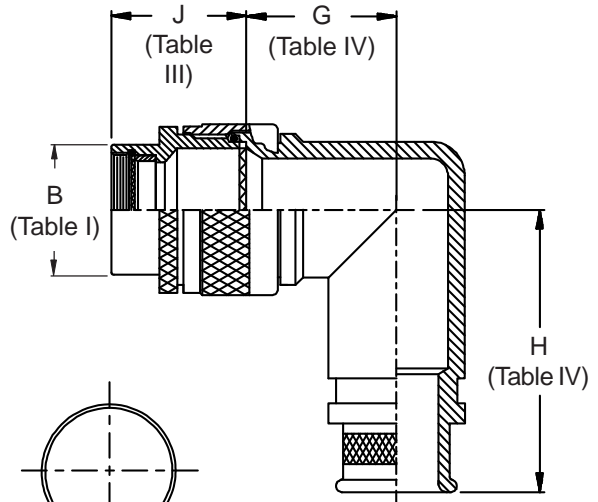
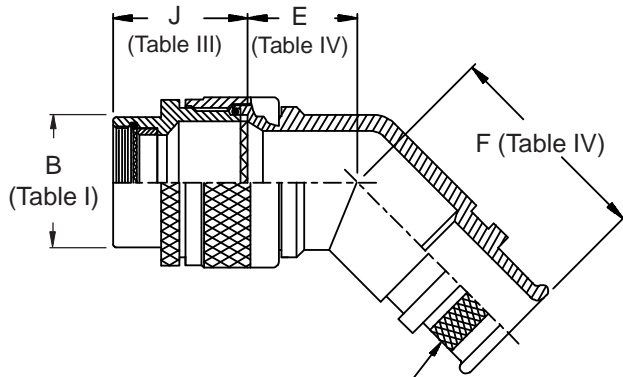
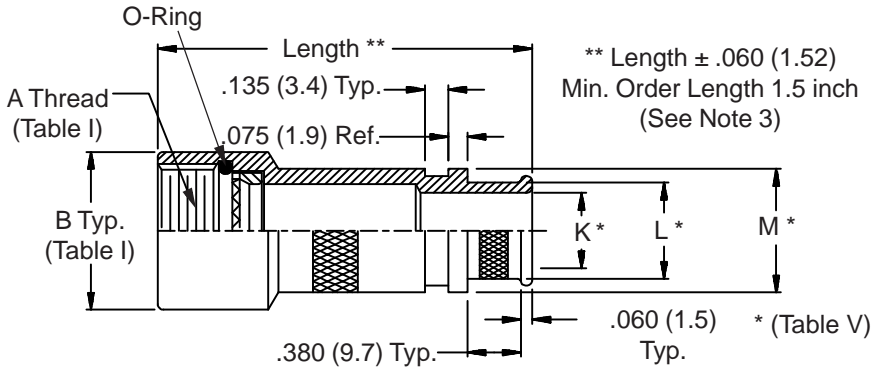
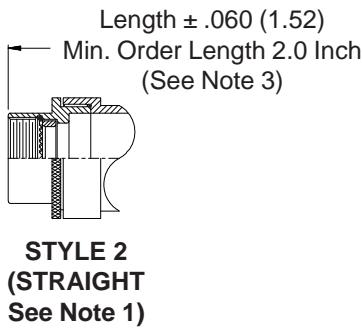
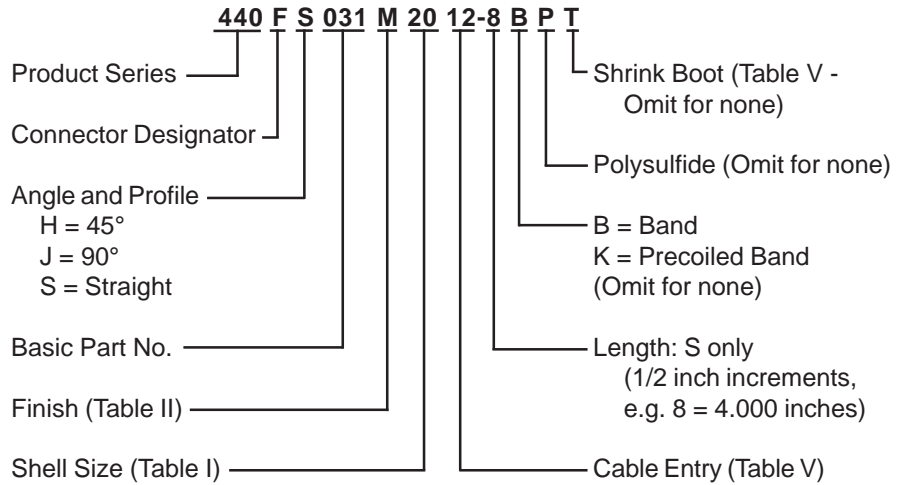
Shell Size	E Max	F Max	G Max	H Max	J Ref	K Max	L Max	Function C Max Wire Bundle
08/09	.440 (11.2)	1.635 (41.5)	.680 (17.3)	1.575 (40.0)	.340 (8.6)	1.915 (48.6)	.681 (17.3)	.250 (6.4)
10/11	.500 (12.7)	1.695 (43.1)	.750 (19.1)	1.635 (41.5)	.270 (6.9)	2.075 (52.7)	.731 (18.6)	.375 (9.5)
12/13	.560 (14.2)	1.765 (44.8)	.810 (20.6)	1.705 (43.3)	.270 (6.9)	2.075 (52.7)	.731 (18.6)	.375 (9.5)
14/15	.620 (15.7)	1.795 (45.6)	.870 (22.1)	1.735 (44.1)	.280 (7.1)	2.145 (54.5)	.831 (21.1)	.500 (12.7)
16/17	.680 (17.3)	1.895 (48.1)	.930 (23.6)	1.835 (46.6)	.420 (10.7)	2.195 (55.8)	.981 (24.9)	.625 (15.9)
18/19	.750 (19.1)	1.955 (49.7)	1.000 (25.4)	1.895 (48.1)	.640 (16.3)	2.225 (56.5)	1.181 (30.0)	.625 (15.9)
20/21	.820 (20.8)	2.015 (51.2)	1.060 (26.9)	1.955 (49.7)	.640 (16.3)	2.225 (56.5)	1.181 (30.0)	.625 (15.9)
22/23	.880 (22.4)	2.075 (52.7)	1.120 (28.4)	2.015 (51.2)	.610 (15.5)	2.375 (60.3)	1.311 (33.3)	.875 (22.2)
24/25	.940 (23.9)	2.135 (54.2)	1.180 (30.0)	2.075 (52.7)	.680 (17.3)	2.500 (63.5)	1.431 (36.3)	1.000 (25.4)

**TABLE IV: CABLE ENTRY**

Dash No.	M	N	P	Shrink Boot
01	.125 (3.2)	.250 (6.4)	.312 (7.9)	770-003S111
31	.188 (4.8)	.312 (7.9)	.374 (9.5)	770-003S111
02	.250 (6.4)	.375 (9.5)	.437 (11.1)	770-003S112
32	.312 (7.9)	.438 (11.1)	.500 (12.7)	770-003S112
03	.375 (9.5)	.500 (12.7)	.562 (14.3)	770-003S112
33	.438 (11.1)	.562 (14.3)	.624 (15.8)	770-001S104
04	.500 (12.7)	.625 (15.9)	.687 (17.4)	770-001S104
34	.562 (14.3)	.688 (17.5)	.750 (19.1)	770-001S104
05	.625 (15.9)	.750 (19.1)	.812 (20.6)	770-001S104
35	.688 (17.5)	.812 (20.6)	.874 (22.2)	770-001S104
06	.750 (19.1)	.875 (22.2)	.937 (23.8)	770-001S105
36	.812 (20.6)	.938 (23.8)	1.000 (25.4)	770-001S105
07	.875 (22.2)	1.000 (25.4)	1.062 (27.0)	770-001S105
37	.938 (23.8)	1.062 (27.0)	1.124 (28.5)	770-001S105
08	1.000 (25.4)	1.125 (28.6)	1.187 (30.1)	770-001S106
38	1.062 (27.0)	1.188 (30.2)	1.250 (31.8)	770-001S106
09	1.125 (28.6)	1.250 (31.8)	1.312 (33.3)	770-001S107
10	1.250 (31.8)	1.375 (34.9)	1.437 (36.5)	770-001S107
11	1.375 (34.9)	1.500 (38.1)	1.562 (39.7)	770-001S107
12	1.500 (38.1)	1.625 (41.3)	1.687 (42.8)	770-001S107
13	1.625 (41.3)	1.750 (44.5)	1.812 (46.0)	770-001S108
14	1.750 (44.5)	1.875 (47.6)	1.937 (49.2)	770-001S108
15	1.875 (47.6)	2.000 (50.8)	2.062 (52.4)	770-001S109
16	2.000 (50.8)	2.125 (54.0)	2.187 (55.5)	770-001S109

1. When maximum cable entry (page 21) is exceeded, Style 2 will be supplied (not available in Function C). Dimensions E, F, G, and H will not apply. Please consult factory.
2. Metric dimensions (mm) are indicated in parentheses.
3. See page 40 for Shrink Boot Reference Information.
4. Backshells supplied with 600-052-\* band, see Glenair Series 600 Tool Catalog for installation.
5. Angular function "C", low-profile split elbow, not available with "S" connector designator.

**CONNECTOR DESIGNATORS**  
**A-B\*-C-D-E-F**  
**G-H-J-K-L-S**  
 \* Conn. Desig. B See Note 5  
**DIRECT COUPLING**



Termination Area Free of Cadmium. Knurl or Ridges Mfr's Option

Polysulfide Stripes  
 P Option

Band Option  
 (K Option Shown - See Note 6)

**440-031**  
**EMI/RFI Banding and Shrink Boot Adapter**  
**Direct Coupling - Standard Profile**



See inside back cover fold-out or pages 13 and 14 for Tables I and II.

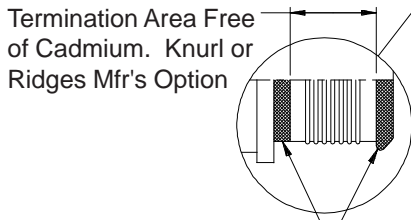
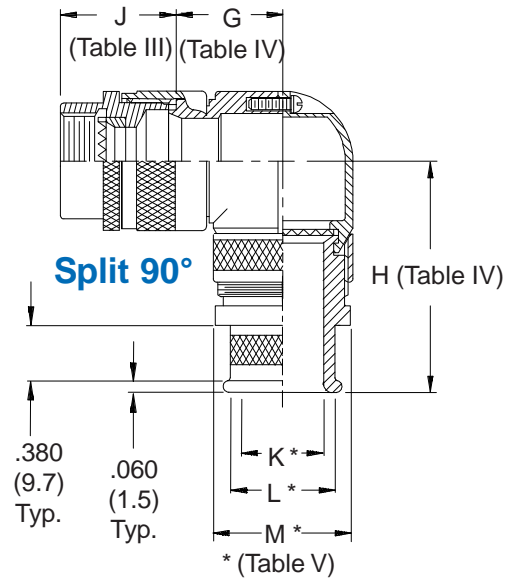
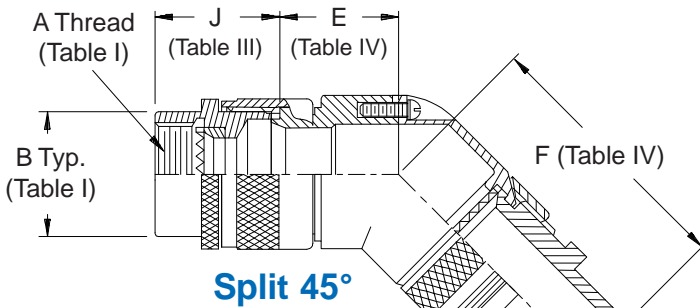
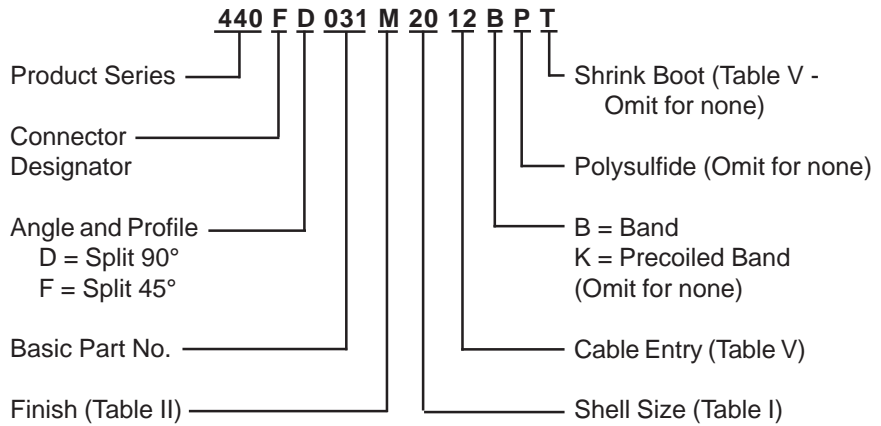
TABLE III: FRONT ADAPTER			
Shell Size	J Max - Conn. Designator		
	A-E-F J-H-L-S	D-B-G-K	C
08/09	1.180 (30.0)	1.250 (31.8)	
10/11	1.180 (30.0)	1.250 (31.8)	
12/13	1.180 (30.0)	1.250 (31.8)	1.735 (44.1)
14/15	1.180 (30.0)	1.250 (31.8)	1.915 (48.6)
16/17	1.380 (35.0)	1.560 (39.6)	1.915 (48.6)
18/19	1.380 (35.0)	1.560 (39.6)	1.915 (48.6)
20/21	1.380 (35.0)	1.560 (39.6)	1.915 (48.6)
22/23	1.380 (35.0)	1.560 (39.6)	1.915 (48.6)
24/25	1.380 (35.0)	1.560 (39.6)	1.915 (48.6)
28/29	1.610 (40.9)	1.560 (39.6)	1.915 (48.6)
32/33	1.610 (40.9)	1.750 (44.5)	1.915 (48.6)
36	1.610 (40.9)	1.750 (44.5)	1.915 (48.6)
40	1.610 (40.9)	2.190 (55.6)	1.915 (48.6)

TABLE IV: ELBOW DIMENSIONS									
Dash No.(s)	E Max	F Max	G Max	H Max					
01	.625 (15.9)	.940 (23.9)	.732 (18.6)	1.078 (27.4)					
02 & 31	.625 (15.9)	.940 (23.9)	.732 (18.6)	1.078 (27.4)					
03 & 32	.688 (17.5)	1.000 (25.4)	.757 (19.2)	1.108 (28.1)					
04 & 33	.711 (18.1)	1.050 (26.7)	.781 (19.8)	1.128 (28.7)					
05 & 34	.781 (19.8)	1.150 (29.2)	.825 (21.0)	1.178 (29.9)					
06 & 35	.841 (21.4)	1.188 (30.2)	.896 (22.8)	1.190 (30.2)					
07 & 36	.866 (22.0)	1.208 (30.7)	1.093 (27.8)	1.250 (31.8)					
08 & 37	.893 (22.7)	1.248 (31.7)	1.250 (31.8)	1.320 (33.5)					
09 & 38	.916 (23.3)	1.278 (32.5)	1.312 (33.3)	1.380 (35.1)					
10	1.134 (28.8)	1.448 (36.8)	1.375 (34.9)	1.500 (38.1)					
11	1.134 (28.8)	1.448 (36.8)	1.375 (34.9)	1.500 (38.1)					
12	1.185 (30.1)	1.488 (37.8)	1.687 (42.8)	1.620 (41.1)					
13	1.185 (30.1)	1.488 (37.8)	1.687 (42.8)	1.620 (41.1)					
14	1.225 (31.1)	1.538 (39.1)	1.812 (46.0)	1.750 (44.5)					
15	1.225 (31.1)	1.538 (39.1)	1.812 (46.0)	1.750 (44.5)					

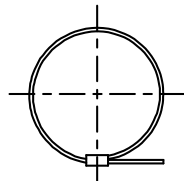
TABLE V: CABLE ENTRY						
Dash No.	K	L	M	Shrink Boot		
01	.125 (3.2)	.250 (6.4)	.312 (7.9)	770-003S111		
31	.188 (4.8)	.312 (7.9)	.374 (9.5)	770-003S111		
02	.250 (6.4)	.375 (9.5)	.437 (11.1)	770-003S112		
32	.312 (7.9)	.438 (11.1)	.500 (12.7)	770-003S112		
03	.375 (9.5)	.500 (12.7)	.562 (14.3)	770-001S103		
33	.438 (11.1)	.562 (14.3)	.624 (15.8)	770-001S104		
04	.500 (12.7)	.625 (15.9)	.687 (17.4)	770-001S104		
34	.562 (14.3)	.688 (17.5)	.750 (19.1)	770-001S104		
05	.625 (15.9)	.750 (19.1)	.812 (20.6)	770-001S104		
35	.688 (17.5)	.812 (20.6)	.874 (22.2)	770-001S104		
06	.750 (19.1)	.875 (22.2)	.937 (23.8)	770-001S105		
36	.812 (20.6)	.938 (23.8)	1.000 (25.4)	770-001S105		
07	.875 (22.2)	1.000 (25.4)	1.062 (27.0)	770-001S105		
37	.938 (23.8)	1.062 (27.0)	1.124 (28.5)	770-001S105		
08	1.000 (25.4)	1.125 (28.6)	1.187 (30.1)	770-001S106		
38	1.062 (27.0)	1.188 (30.2)	1.250 (31.8)	770-001S106		
09	1.125 (28.6)	1.250 (31.8)	1.312 (33.3)	770-001S107		
10	1.250 (31.8)	1.375 (34.9)	1.437 (36.5)	770-001S107		
11	1.375 (34.9)	1.500 (38.1)	1.562 (39.7)	770-001S107		
12	1.500 (38.1)	1.625 (41.3)	1.687 (42.8)	770-001S107		
13	1.625 (41.3)	1.750 (44.5)	1.812 (46.0)	770-001S108		
14	1.750 (44.5)	1.875 (47.6)	1.937 (49.2)	770-001S108		
15	1.875 (47.6)	2.000 (50.8)	2.062 (52.4)	770-001S109		
16	2.000 (50.8)	2.125 (54.0)	2.187 (55.5)	770-001S109		

1. When maximum cable entry (page 22) is exceeded, Style 2 will be supplied. (Function S only).
2. Metric dimensions (mm) are indicated in parentheses.
3. Consult factory for shorter lengths on straight backshells.
4. See page 40 for Shrink Boot Reference Information.
5. When using Connector Designator B refer to pages 18 and 19 for part number development.
6. Backshells supplied with 600-052-\* band, see Glenair Series 600 Tool Catalog for installation.

**CONNECTOR DESIGNATORS**  
**A-B\*-C-D-E-F**  
**G-H-J-K-L-S**  
*\* Conn. Desig. B See Note 3*  
**DIRECT COUPLING**



Polysulfide Stripes  
 P Option



Band Option  
 (K Option Shown - See Note 4)

**440-031**  
**EMI/RFI Banding and Shrink Boot Adapter**  
**Direct Coupling - Split Shell**



See inside back cover fold-out or pages 13 and 14 for Tables I and II.

TABLE III: FRONT ADAPTER			
Shell Size	J Max - Conn. Designator		
	A-E-F		
	J-H-L-S	D-B-G-K	C
08/09	1.180 (30.0)	1.250 (31.8)	
10/11	1.180 (30.0)	1.250 (31.8)	
12/13	1.180 (30.0)	1.250 (31.8)	1.735 (44.1)
14/15	1.180 (30.0)	1.250 (31.8)	1.915 (48.6)
16/17	1.380 (35.0)	1.560 (39.6)	1.915 (48.6)
18/19	1.380 (35.0)	1.560 (39.6)	1.915 (48.6)
20/21	1.380 (35.0)	1.560 (39.6)	1.915 (48.6)
22/23	1.380 (35.0)	1.560 (39.6)	1.915 (48.6)
24/25	1.380 (35.0)	1.560 (39.6)	1.915 (48.6)
28/29	1.610 (40.9)	1.560 (39.6)	1.915 (48.6)
32/33	1.610 (40.9)	1.750 (44.5)	1.915 (48.6)
36	1.610 (40.9)	1.750 (44.5)	1.915 (48.6)
40	1.610 (40.9)	2.190 (55.6)	1.915 (48.6)

TABLE IV: ELBOW DIMENSIONS						
Dash No.	E Max	F Max	G Max	H Max		
01	.440 (11.2)	1.635 (41.5)	.680 (17.3)	1.575 (40.0)		
02	.440 (11.2)	1.635 (41.5)	.680 (17.3)	1.575 (40.0)		
03	.440 (11.2)	1.635 (41.5)	.680 (17.3)	1.575 (40.0)		
04	.440 (11.2)	1.635 (41.5)	.680 (17.3)	1.575 (40.0)		
05	.500 (12.7)	1.695 (43.1)	.750 (19.1)	1.635 (41.5)		
06	.500 (12.7)	1.695 (43.1)	.750 (19.1)	1.635 (41.5)		
07	.560 (14.2)	1.765 (44.8)	.810 (20.6)	1.705 (43.3)		
08	.560 (14.2)	1.765 (44.8)	.810 (20.6)	1.705 (43.3)		
09	.620 (15.7)	1.795 (45.6)	.870 (22.1)	1.735 (44.1)		
10	.680 (17.3)	1.895 (48.1)	.930 (23.6)	1.835 (46.6)		
11	.680 (17.3)	1.895 (48.1)	.930 (23.6)	1.835 (46.6)		
12	.750 (19.1)	1.955 (49.7)	1.000 (25.4)	1.895 (48.1)		
13	.820 (20.8)	2.015 (51.2)	1.060 (26.9)	1.955 (49.7)		
14	.820 (20.8)	2.015 (51.2)	1.060 (26.9)	1.955 (49.7)		
15	.880 (22.4)	2.075 (52.7)	1.120 (28.4)	2.015 (51.2)		
16	.880 (22.4)	2.075 (52.7)	1.120 (28.4)	2.015 (51.2)		

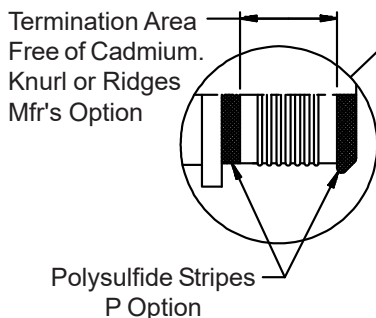
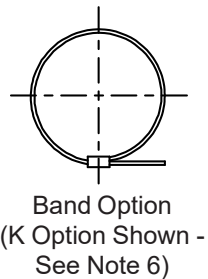
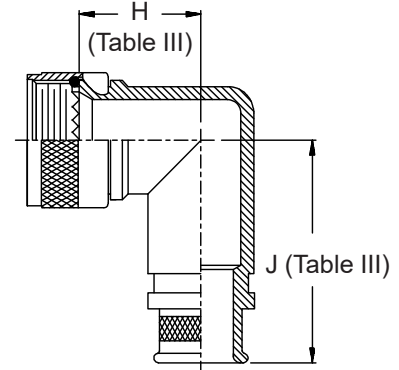
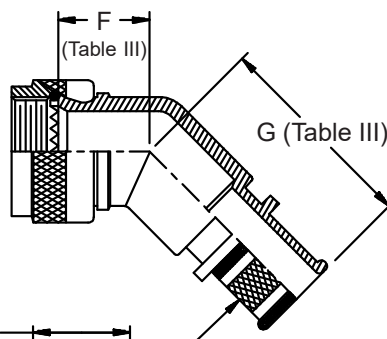
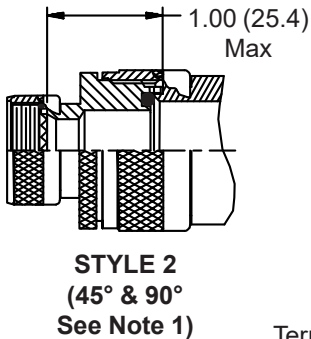
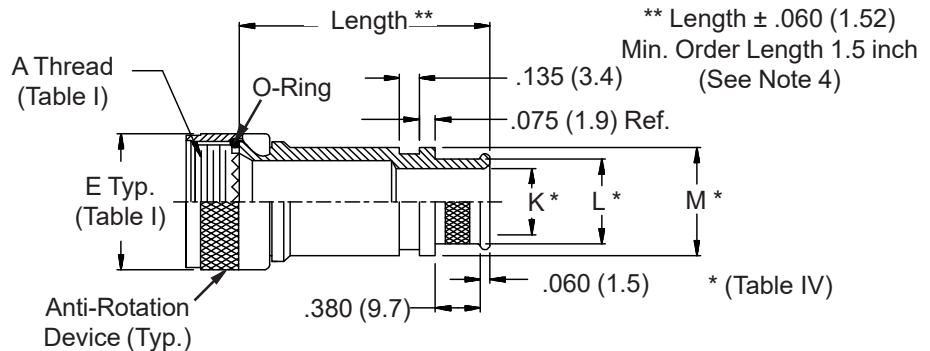
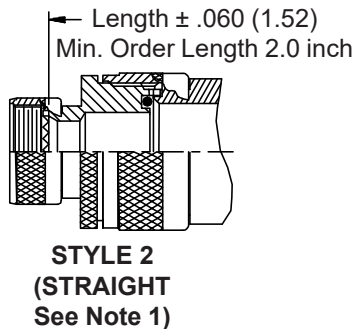
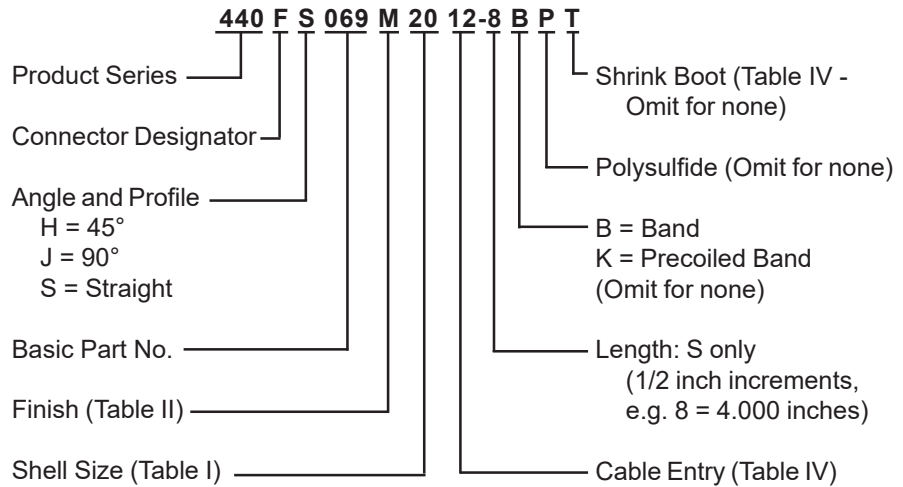
TABLE V: CABLE ENTRY						
Dash No.	K		L		M	Shrink Boot
01	.125 (3.2)	.250 (6.4)	.312 (7.9)			770-003S111
31	.188 (4.8)	.312 (7.9)	.374 (9.5)			770-003S111
02	.250 (6.4)	.375 (9.5)	.437 (11.1)			770-003S112
32	.312 (7.9)	.438 (11.1)	.500 (12.7)			770-003S112
03	.375 (9.5)	.500 (12.7)	.562 (14.3)			770-001S103
33	.438 (11.1)	.562 (14.3)	.624 (15.8)			770-001S104
04	.500 (12.7)	.625 (15.9)	.687 (17.4)			770-001S104
34	.562 (14.3)	.688 (17.5)	.750 (19.1)			770-001S104
05	.625 (15.9)	.750 (19.1)	.812 (20.6)			770-001S104
35	.688 (17.5)	.812 (20.6)	.874 (22.2)			770-001S104
06	.750 (19.1)	.875 (22.2)	.937 (23.8)			770-001S105
36	.812 (20.6)	.938 (23.8)	1.000 (25.4)			770-001S105
07	.875 (22.2)	1.000 (25.4)	1.062 (27.0)			770-001S105
37	.938 (23.8)	1.062 (27.0)	1.124 (28.5)			770-001S105
08	1.000 (25.4)	1.125 (28.6)	1.187 (30.1)			770-001S106
38	1.062 (27.0)	1.188 (30.2)	1.250 (31.8)			770-001S106
09	1.125 (28.6)	1.250 (31.8)	1.312 (33.3)			770-001S107
10	1.250 (31.8)	1.375 (34.9)	1.437 (36.5)			770-001S107
11	1.375 (34.9)	1.500 (38.1)	1.562 (39.7)			770-001S107
12	1.500 (38.1)	1.625 (41.3)	1.687 (42.8)			770-001S107
13	1.625 (41.3)	1.750 (44.5)	1.812 (46.0)			770-001S108
14	1.750 (44.5)	1.875 (47.6)	1.937 (49.2)			770-001S108
15	1.875 (47.6)	2.000 (50.8)	2.062 (52.4)			770-001S109
16	2.000 (50.8)	2.125 (54.0)	2.187 (55.5)			770-001S109

\*Equivalent boot may be supplied in lieu of stated part number.

1. Metric dimensions (mm) are indicated in parentheses.
2. See page 40 for Shrink Boot Reference Information.
3. When using Connector Designator B refer to pages 18 and 19 for part number development.
4. Backshells supplied with 600-052-\* band, see Glenair Series 600 Tool Catalog for installation.



**CONNECTOR  
 DESIGNATORS  
 A-F-H-L  
 SELF-LOCKING  
 ROTATABLE  
 COUPLING**



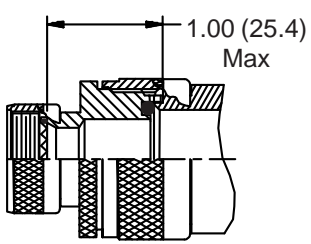
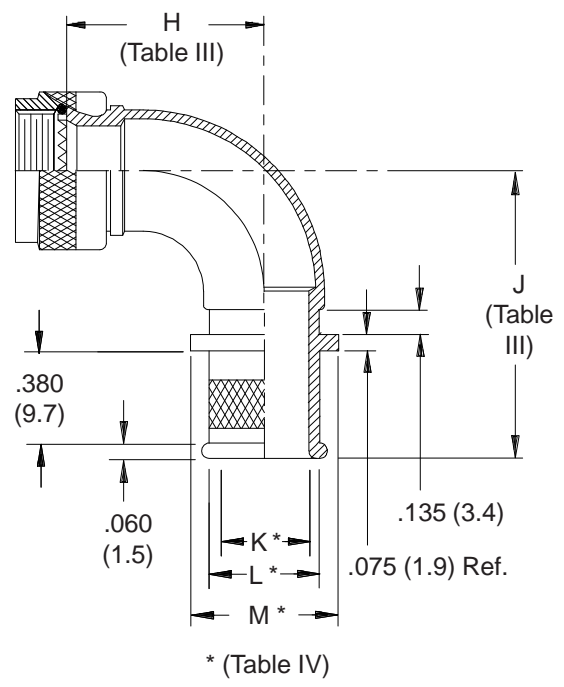
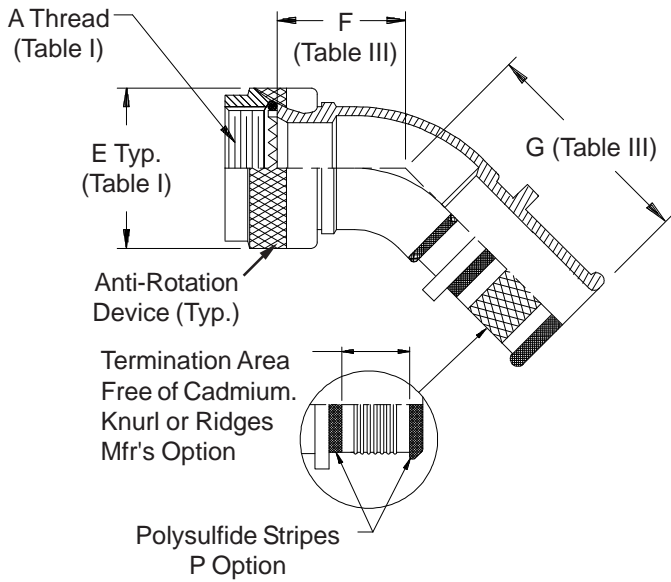
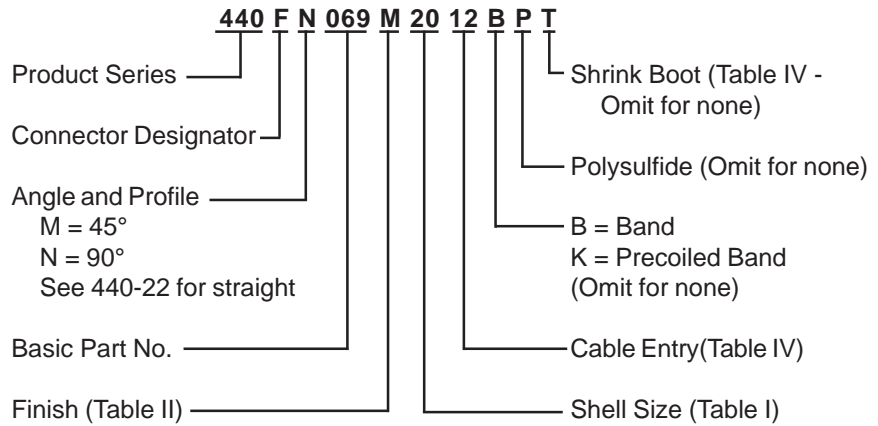
See inside back cover fold-out or pages 13 and 14 for Tables I and II.

Shell Size		F Max	G Max	H Max	J Max
Conn. Desig. A-F-L	H				
08	09	.806 (20.5)	1.038 (26.4)	.906 (23.0)	1.146 (29.1)
10	11	.832 (21.1)	1.064 (27.0)	.966 (24.5)	1.210 (30.7)
12	13	.856 (21.7)	1.088 (27.6)	1.026 (26.1)	1.268 (32.2)
14	15	.882 (22.4)	1.114 (28.3)	1.076 (27.3)	1.330 (33.8)
16	17	.908 (23.1)	1.150 (29.2)	1.136 (28.9)	1.392 (35.4)
18	19	.927 (23.5)	1.190 (30.2)	1.176 (29.9)	1.438 (36.5)
20	21	.953 (24.2)	1.250 (31.8)	1.236 (31.4)	1.500 (38.1)
22	23	.979 (24.9)	1.320 (33.5)	1.296 (32.9)	1.562 (39.7)
24	25	1.004 (25.5)	1.380 (35.1)	1.356 (34.4)	1.625 (41.3)
28		1.197 (30.4)	1.500 (38.1)	1.422 (36.1)	1.654 (42.0)
32		1.280 (32.5)	1.620 (41.1)	1.545 (39.2)	1.777 (45.1)
36		1.294 (32.9)	1.750 (44.5)	1.652 (42.0)	1.844 (46.8)
40		1.320 (33.5)	1.870 (47.5)	1.960 (49.8)	2.070 (52.6)

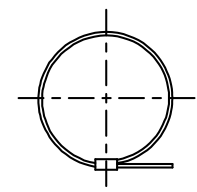
Dash No.	K	L	M	Shrink Boot
01	.125 (3.2)	.250 (6.4)	.312 (7.9)	770-003S111
31	.188 (4.8)	.312 (7.9)	.374 (9.5)	770-003S111
02	.250 (6.4)	.375 (9.5)	.437 (11.1)	770-003S112
32	.312 (7.9)	.438 (11.1)	.500 (12.7)	770-003S112
03	.375 (9.5)	.500 (12.7)	.562 (14.3)	770-001S103
33	.438 (11.1)	.562 (14.3)	.624 (15.8)	770-001S104
04	.500 (12.7)	.625 (15.9)	.687 (17.4)	770-001S104
34	.562 (14.3)	.688 (17.5)	.750 (19.1)	770-001S104
05	.625 (15.9)	.750 (19.1)	.812 (20.6)	770-001S104
35	.688 (17.5)	.812 (20.6)	.874 (22.2)	770-001S104
06	.750 (19.1)	.875 (22.2)	.937 (23.8)	770-001S105
36	.812 (20.6)	.938 (23.8)	1.000 (25.4)	770-001S105
07	.875 (22.2)	1.000 (25.4)	1.062 (27.0)	770-001S105
37	.938 (23.8)	1.062 (27.0)	1.124 (28.5)	770-001S105
08	1.000 (25.4)	1.125 (28.6)	1.187 (30.1)	770-001S106
38	1.062 (27.0)	1.188 (30.2)	1.250 (31.8)	770-001S106
09	1.125 (28.6)	1.250 (31.8)	1.312 (33.3)	770-001S107
10	1.250 (31.8)	1.375 (34.9)	1.437 (36.5)	770-001S107
11	1.375 (34.9)	1.500 (38.1)	1.562 (39.7)	770-001S107
12	1.500 (38.1)	1.625 (41.3)	1.687 (42.8)	770-001S107
13	1.625 (41.3)	1.750 (44.5)	1.812 (46.0)	770-001S108
14	1.750 (44.5)	1.875 (47.6)	1.937 (49.2)	770-001S108
15	1.875 (47.6)	2.000 (50.8)	2.062 (52.4)	770-001S109
16	2.000 (50.8)	2.125 (54.0)	2.187 (55.5)	770-001S109

1. When maximum cable entry (page 21) is exceeded, Style 2 will be supplied. Dimensions F, G, H and J will not apply. Please consult factory.
2. Metric dimensions (mm) are indicated in parentheses.
3. Interface O-Ring not supplied with Connector Designator A.
4. Consult factory for shorter lengths on straight backshells.
5. See page 40 for Shrink Boot Reference Information.
6. Backshells supplied with 600-052-\* band, see Glenair Series 600 Tool Catalog for installation.

**CONNECTOR  
DESIGNATORS  
A-F-H-L  
SELF-LOCKING  
ROTATABLE  
COUPLING**



**STYLE 2  
(See Note 1)**



Band Option  
(K Option Shown - See Note 6)

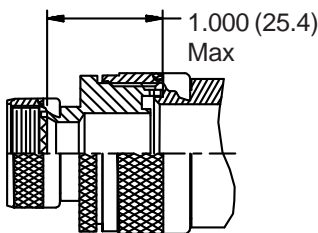
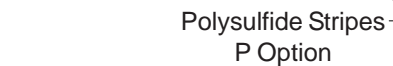
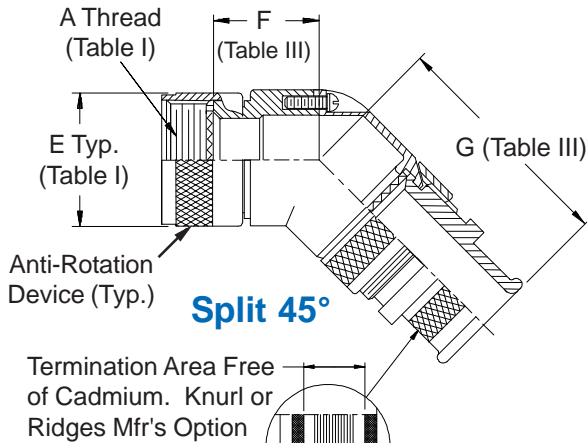
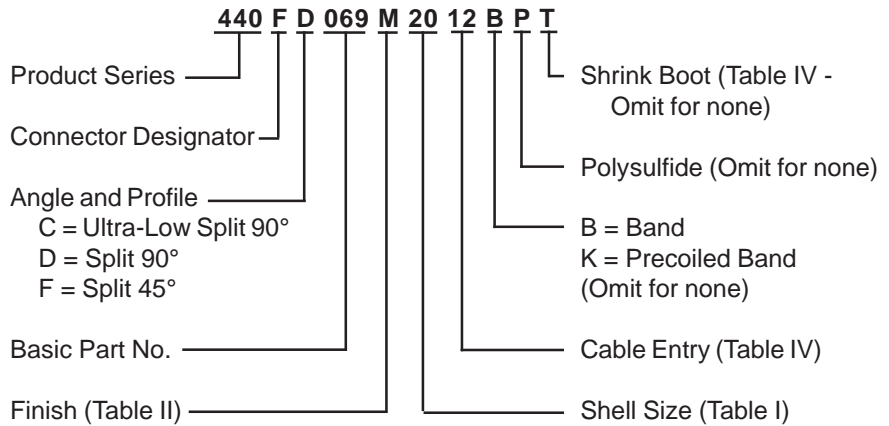
See inside back cover fold-out or pages 13 and 14 for Tables I and II.

TABLE III: ELBOW DIMENSIONS									
Shell Size		F		G		H		J	
Conn. Desig.	H	Max		Max		Max		Max	
A-F-L	H								
08	09	.968	(24.6)	1.017	(25.8)	1.281	(32.5)	1.335	(33.9)
10	11	1.031	(26.2)	1.071	(27.2)	1.406	(35.7)	1.460	(37.1)
12	13	1.094	(27.8)	1.121	(28.5)	1.531	(38.9)	1.585	(40.3)
14	15	1.156	(29.4)	1.175	(29.8)	1.656	(42.1)	1.710	(43.4)
16	17	1.218	(30.9)	1.224	(31.1)	1.781	(45.2)	1.835	(46.6)
18	19	1.250	(31.8)	1.274	(32.4)	1.906	(48.4)	1.960	(49.8)
20	21	1.312	(33.3)	1.328	(33.7)	2.031	(51.6)	2.085	(53.0)
22	23	1.344	(34.1)	1.382	(35.1)	2.156	(54.8)	2.210	(56.1)
24	25	1.406	(35.7)	1.431	(36.3)	2.281	(57.9)	2.335	(59.3)

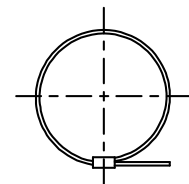
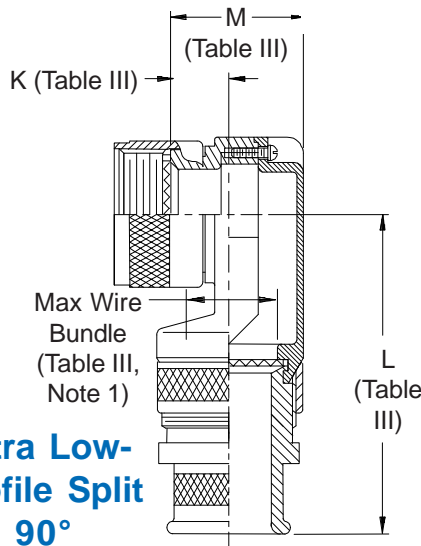
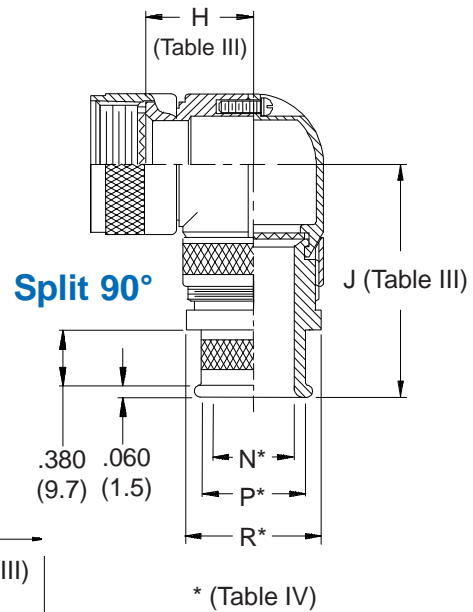
TABLE IV: CABLE ENTRY						
Dash No.	K	L	M	Shrink Boot		
01	.125 (3.2)	.250 (6.4)	.312 (7.9)	770-003S111		
31	.188 (4.8)	.312 (7.9)	.374 (9.5)	770-003S111		
02	.250 (6.4)	.375 (9.5)	.437 (11.1)	770-003S112		
32	.312 (7.9)	.438 (11.1)	.500 (12.7)	770-003S112		
03	.375 (9.5)	.500 (12.7)	.562 (14.3)	770-001S103		
33	.438 (11.1)	.562 (14.3)	.624 (15.8)	770-001S104		
04	.500 (12.7)	.625 (15.9)	.687 (17.4)	770-001S104		
34	.562 (14.3)	.688 (17.5)	.750 (19.1)	770-001S104		
05	.625 (15.9)	.750 (19.1)	.812 (20.6)	770-001S104		
35	.688 (17.5)	.812 (20.6)	.874 (22.2)	770-001S104		
06	.750 (19.1)	.875 (22.2)	.937 (23.8)	770-001S105		
36	.812 (20.6)	.938 (23.8)	1.000 (25.4)	770-001S105		
07	.875 (22.2)	1.000 (25.4)	1.062 (27.0)	770-001S105		
37	.938 (23.8)	1.062 (27.0)	1.124 (28.5)	770-001S105		
08	1.000 (25.4)	1.125 (28.6)	1.187 (30.1)	770-001S106		
38	1.062 (27.0)	1.188 (30.2)	1.250 (31.8)	770-001S106		
09	1.125 (28.6)	1.250 (31.8)	1.312 (33.3)	770-001S107		
10	1.250 (31.8)	1.375 (34.9)	1.437 (36.5)	770-001S107		
11	1.375 (34.9)	1.500 (38.1)	1.562 (39.7)	770-001S107		
12	1.500 (38.1)	1.625 (41.3)	1.687 (42.8)	770-001S107		
13	1.625 (41.3)	1.750 (44.5)	1.812 (46.0)	770-001S108		
14	1.750 (44.5)	1.875 (47.6)	1.937 (49.2)	770-001S108		
15	1.875 (47.6)	2.000 (50.8)	2.062 (52.4)	770-001S109		
16	2.000 (50.8)	2.125 (54.0)	2.187 (55.5)	770-001S109		

1. When maximum cable entry (page 21) is exceeded, Style 2 will be supplied. Dimensions F, G, H and J will not apply. Please consult factory.
2. Metric dimensions (mm) are indicated in parentheses.
3. Interface O-Ring not supplied with Connector Designator A.
4. Consult factory for shorter lengths on straight backshells.
5. See page 40 for Shrink Boot Reference Information.
6. Backshells supplied with 600-052-\* band, see Glenair Series 600 Tool Catalog for installation.

**CONNECTOR  
DESIGNATORS  
A-F-H-L  
SELF-LOCKING  
ROTATABLE  
COUPLING**



**STYLE 2  
(See Note 1)**



Band Option  
(K Option Shown -  
See Note 5)

See inside back cover fold-out or pages 13 and 14 for Tables I and II.

**TABLE III: ELBOW DIMENSIONS**

Shell Size	F Max	G Max	H Max	J Max	K Ref	L Max	M Max	Function C Max Wire Bundle
08/09	.596 (15.1)	1.635 (41.5)	.836 (21.2)	1.575 (40.0)	.496 (12.6)	1.915 (48.6)	.837 (21.3)	.250 (6.4)
10/11	.656 (16.7)	1.695 (43.1)	.906 (23.0)	1.635 (41.5)	.426 (10.8)	2.075 (52.7)	.887 (22.5)	.375 (9.5)
12/13	.716 (18.2)	1.765 (44.8)	.966 (24.5)	1.705 (43.3)	.426 (10.8)	2.075 (52.7)	.887 (22.5)	.375 (9.5)
14/15	.776 (19.7)	1.795 (45.6)	1.026 (26.1)	1.735 (44.1)	.436 (11.1)	2.145 (54.5)	.987 (25.1)	.500 (12.7)
16/17	.836 (21.2)	1.895 (48.1)	1.086 (27.6)	1.835 (46.6)	.576 (14.6)	2.195 (55.8)	1.137 (28.9)	.625 (15.9)
18/19	.906 (23.0)	1.955 (49.7)	1.156 (29.4)	1.895 (48.1)	.796 (20.2)	2.225 (56.5)	1.337 (34.0)	.625 (15.9)
20/21	.976 (24.8)	2.015 (51.2)	1.216 (30.9)	1.955 (49.7)	.796 (20.2)	2.225 (56.5)	1.337 (34.0)	.625 (15.9)
22/23	1.036 (26.3)	2.075 (52.7)	1.276 (32.4)	2.015 (51.2)	.696 (17.7)	2.375 (60.3)	1.337 (34.0)	.750 (19.1)
24/25	1.096 (27.8)	2.135 (54.2)	1.336 (33.9)	2.075 (52.7)	.696 (17.7)	2.375 (60.3)	1.337 (34.0)	.750 (19.1)

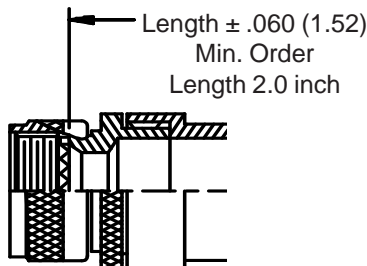
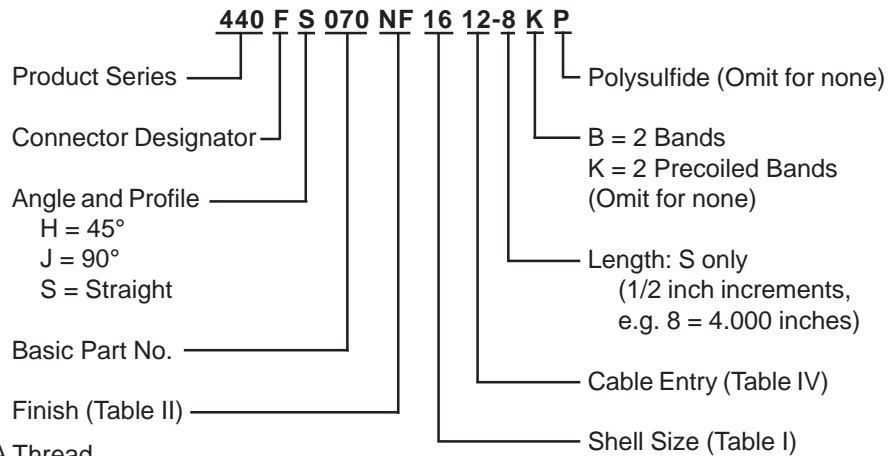
**TABLE IV: CABLE ENTRY**

Dash No.	N	P	R	Shrink Boot
01	.125 (3.2)	.250 (6.4)	.312 (7.9)	770-003S111
31	.188 (4.8)	.312 (7.9)	.374 (9.5)	770-003S111
02	.250 (6.4)	.375 (9.5)	.437 (11.1)	770-003S112
32	.312 (7.9)	.438 (11.1)	.500 (12.7)	770-003S112
03	.375 (9.5)	.500 (12.7)	.562 (14.3)	770-001S103
33	.438 (11.1)	.562 (14.3)	.624 (15.8)	770-001S104
04	.500 (12.7)	.625 (15.9)	.687 (17.4)	770-001S104
34	.562 (14.3)	.688 (17.5)	.750 (19.1)	770-001S104
05	.625 (15.9)	.750 (19.1)	.812 (20.6)	770-001S104
35	.688 (17.5)	.812 (20.6)	.874 (22.2)	770-001S104
06	.750 (19.1)	.875 (22.2)	.937 (23.8)	770-001S105
36	.812 (20.6)	.938 (23.8)	1.000 (25.4)	770-001S105
07	.875 (22.2)	1.000 (25.4)	1.062 (27.0)	770-001S105
37	.938 (23.8)	1.062 (27.0)	1.124 (28.5)	770-001S105
08	1.000 (25.4)	1.125 (28.6)	1.187 (30.1)	770-001S106
38	1.062 (27.0)	1.188 (30.2)	1.250 (31.8)	770-001S106
09	1.125 (28.6)	1.250 (31.8)	1.312 (33.3)	770-001S107
10	1.250 (31.8)	1.375 (34.9)	1.437 (36.5)	770-001S107
11	1.375 (34.9)	1.500 (38.1)	1.562 (39.7)	770-001S107
12	1.500 (38.1)	1.625 (41.3)	1.687 (42.8)	770-001S107
13	1.625 (41.3)	1.750 (44.5)	1.812 (46.0)	770-001S108
14	1.750 (44.5)	1.875 (47.6)	1.937 (49.2)	770-001S108
15	1.875 (47.6)	2.000 (50.8)	2.062 (52.4)	770-001S109
16	2.000 (50.8)	2.125 (54.0)	2.187 (55.5)	770-001S109

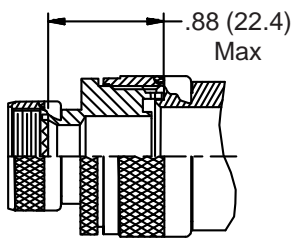
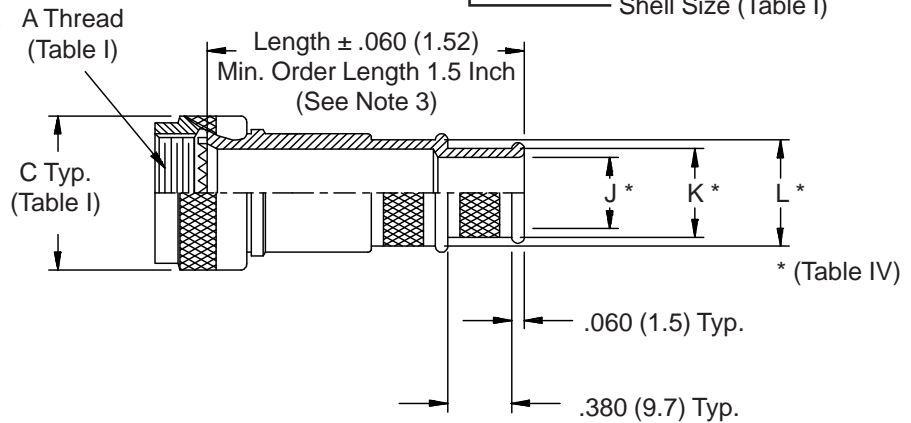
1. When maximum cable entry (page 21) is exceeded, Style 2 will be supplied (not available in Function C). Dimensions F, G, H and J will not apply. Please consult factory.
2. Metric dimensions (mm) are indicated in parentheses.
3. Consult factory for shorter lengths on straight backshells.
4. See page 40 for Shrink Boot Reference Information.
5. Backshells supplied with 600-052-\* band, see Glenair Series 600 Tool Catalog for installation.
6. Angular function "C", low-profile split elbow, not available with "S" connector designator.



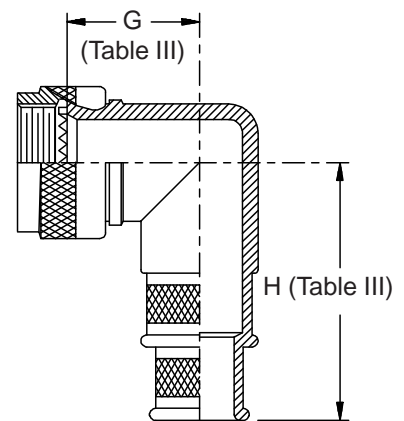
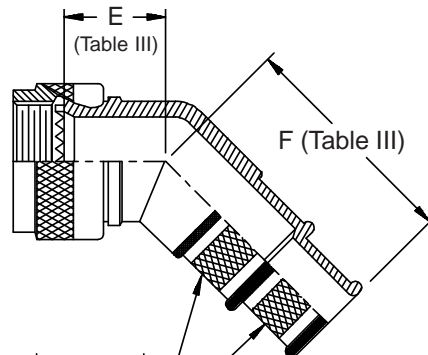
**CONNECTOR DESIGNATORS**  
**A-F-H-L-S**  
**ROTATABLE COUPLING**



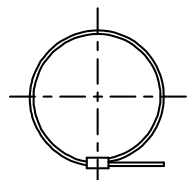
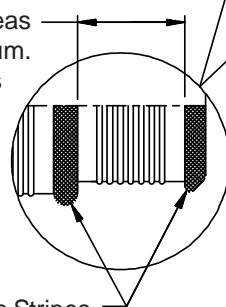
**STYLE 2**  
**(STRAIGHT)**  
 See Note 1)



**STYLE 2**  
**(45° & 90°)**  
 See Note 1)



Termination Areas Free of Cadmium.  
 Knurl or Ridges Mfr's Option



Band Option (K Option Shown - See Note 4)

See inside back cover  
fold-out or pages 13 and  
14 for Tables I and II.

TABLE III: ELBOW DIMENSIONS

Shell Size		E		F		G		H	
Conn. Desig.	H	Max		Max		Max		Max	
A-F-L-S									
08	09	.639	(16.2)	1.328	(33.7)	.750	(19.1)	1.438	(36.5)
10	11	.664	(16.9)	1.358	(34.5)	.810	(20.6)	1.498	(38.0)
12	13	.688	(17.5)	1.378	(35.0)	.870	(22.1)	1.558	(39.6)
14	15	.705	(17.9)	1.408	(35.8)	.920	(23.4)	1.628	(41.4)
16	17	.732	(18.6)	1.428	(36.3)	.980	(24.9)	1.688	(42.9)
18	19	.748	(19.0)	1.438	(36.5)	1.020	(25.9)	1.708	(43.4)
20	21	.773	(19.6)	1.458	(37.0)	1.080	(27.4)	1.768	(44.9)
22	23	.800	(20.3)	1.498	(38.0)	1.140	(29.0)	1.848	(46.9)
24	25	.823	(20.9)	1.528	(38.8)	1.200	(30.5)	1.918	(48.7)

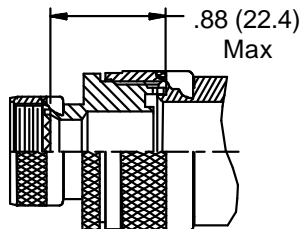
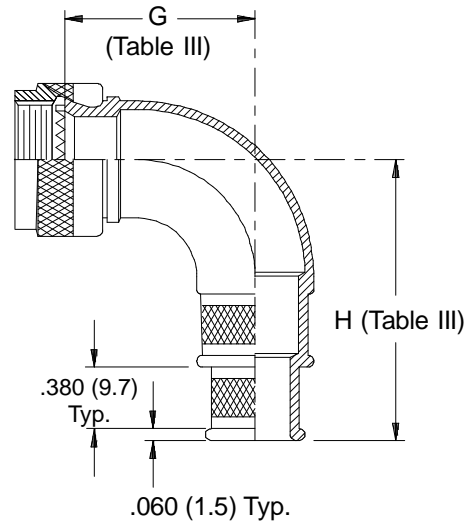
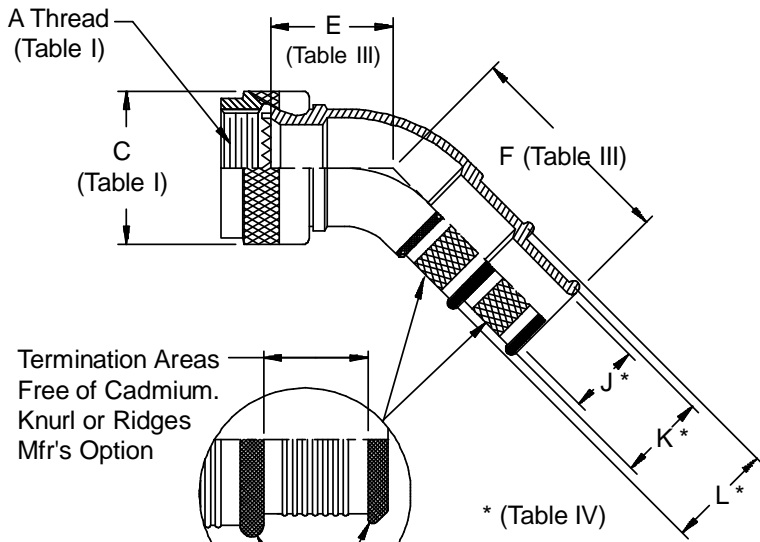
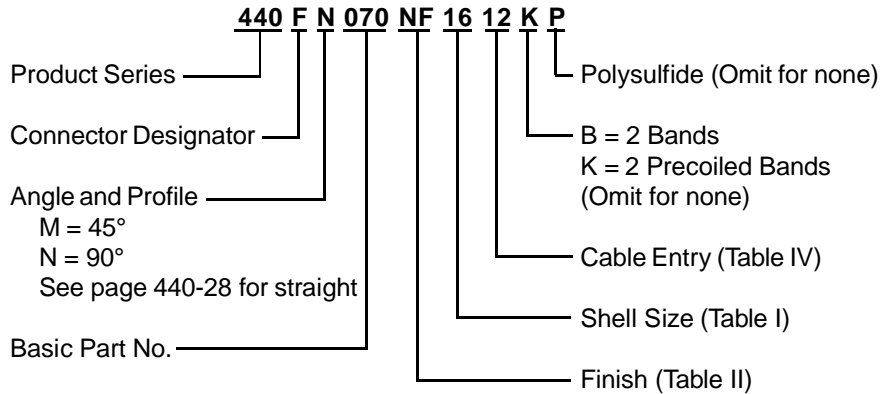
TABLE IV: CABLE ENTRY

Dash No.	J Dia	K Dia	L Dia
02	.125 (3.2)	.250 (6.4)	.312 (7.9)
03	.188 (4.8)	.312 (7.9)	.375 (9.5)
04	.250 (6.4)	.375 (9.5)	.438 (11.1)
05	.312 (7.9)	.438 (11.1)	.500 (12.7)
06	.375 (9.5)	.500 (12.7)	.562 (14.3)
07	.438 (11.1)	.562 (14.3)	.625 (15.9)
08	.500 (12.7)	.625 (15.9)	.688 (17.5)
09	.562 (14.3)	.688 (17.5)	.750 (19.1)
10	.625 (15.9)	.750 (19.1)	.812 (20.6)
11	.688 (17.5)	.812 (20.6)	.875 (22.2)
12	.750 (19.1)	.875 (22.2)	.938 (23.8)
13	.812 (20.6)	.938 (23.8)	1.000 (25.4)
14	.875 (22.2)	1.000 (25.4)	1.062 (27.0)
15	.938 (23.8)	1.062 (27.0)	1.125 (28.6)
16	1.000 (25.4)	1.125 (28.6)	1.188 (30.2)
17	1.062 (27.0)	1.188 (30.2)	1.250 (31.8)
18	1.125 (28.6)	1.250 (31.8)	1.312 (33.3)
20	1.250 (31.8)	1.375 (34.9)	1.438 (36.5)
22	1.375 (34.9)	1.500 (38.1)	1.562 (39.7)
24	1.500 (38.1)	1.625 (41.3)	1.688 (42.9)

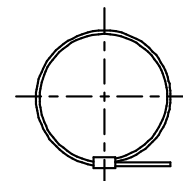
1. When maximum cable entry (page 21) is exceeded, Style 2 will be supplied. Dimensions E, F, G and H will not apply. Please consult factory.
2. Metric dimensions (mm) are indicated in parentheses.
3. Consult factory for shorter lengths on straight backshells.
4. Backshells supplied with 600-052-\* band, see Glenair Series 600 Tool Catalog for installation.

**-445** Now Available with the "NESTOR"  
Add "-445" to Specify Glenair's Non-Detent, Spring-Loaded, Self-Locking Coupling. See Page 41 for Details.

**CONNECTOR  
 DESIGNATORS  
 A-F-H-L-S**  
**ROTATABLE  
 COUPLING**



**STYLE 2**  
 (See Note 1)



Band Option  
 (K Option Shown -  
 See Note 3)

See inside back cover  
fold-out or pages 13 and  
14 for Tables I and II.

TABLE III: ELBOW DIMENSIONS

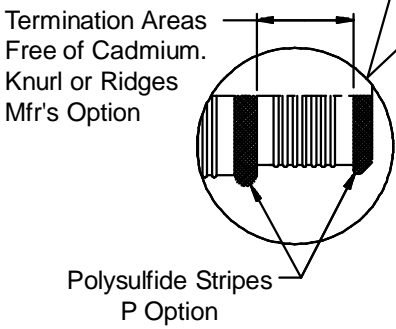
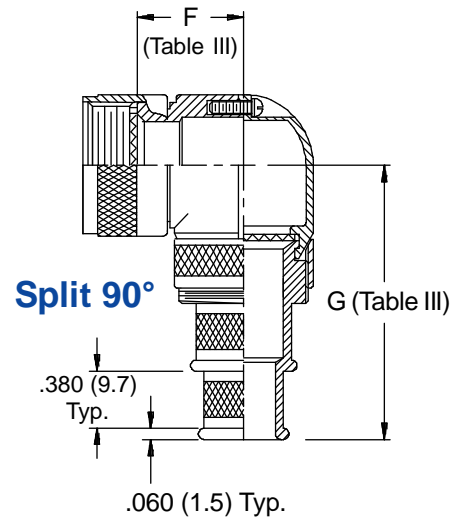
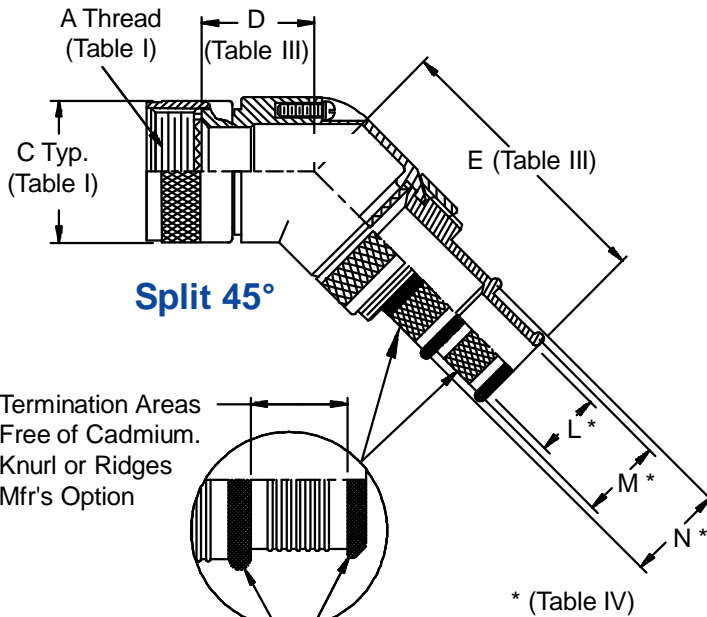
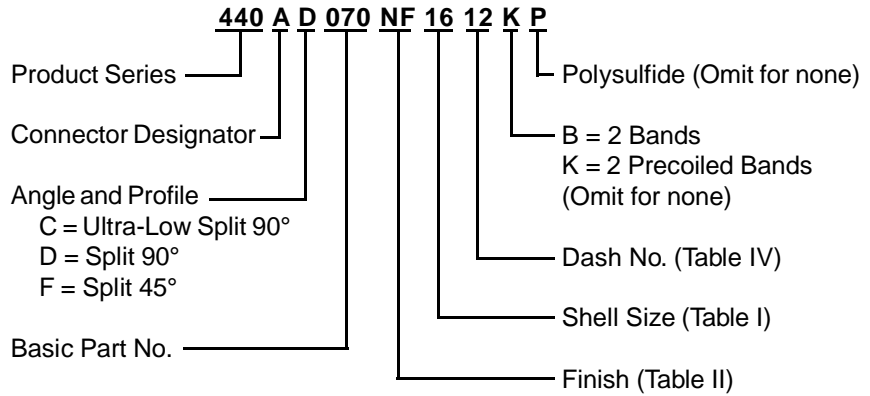
Shell Size		E Max	F Max	G Max	H Max
Conn. Desig. A-F-L-S	H				
08	09	.812 (20.6)	1.230 (31.2)	1.125 (28.6)	1.530 (38.9)
10	11	.875 (22.2)	1.290 (32.8)	1.250 (31.8)	1.660 (42.2)
12	13	.938 (23.8)	1.350 (34.3)	1.375 (34.9)	1.790 (45.5)
14	15	1.000 (25.4)	1.410 (35.8)	1.500 (38.1)	1.910 (48.5)
16	17	1.062 (27.0)	1.470 (37.3)	1.625 (41.3)	2.040 (51.8)
18	19	1.094 (27.8)	1.540 (39.1)	1.750 (44.5)	2.160 (54.9)
20	21	1.156 (29.4)	1.600 (40.6)	1.875 (47.6)	2.290 (58.2)
22	23	1.188 (30.2)	1.660 (42.2)	2.000 (50.8)	2.410 (61.2)
24	25	1.250 (31.8)	1.720 (43.7)	2.125 (54.0)	2.540 (64.5)

TABLE IV: CABLE ENTRY

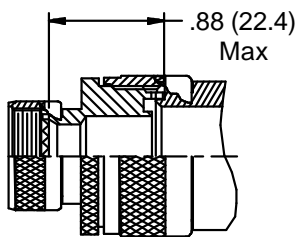
Dash No.	J Dia	K Dia	L Dia
02	.125 (3.2)	.250 (6.4)	.312 (7.9)
03	.188 (4.8)	.312 (7.9)	.375 (9.5)
04	.250 (6.4)	.375 (9.5)	.438 (11.1)
05	.312 (7.9)	.438 (11.1)	.500 (12.7)
06	.375 (9.5)	.500 (12.7)	.562 (14.3)
07	.438 (11.1)	.562 (14.3)	.625 (15.9)
08	.500 (12.7)	.625 (15.9)	.688 (17.5)
09	.562 (14.3)	.688 (17.5)	.750 (19.1)
10	.625 (15.9)	.750 (19.1)	.812 (20.6)
11	.688 (17.5)	.812 (20.6)	.875 (22.2)
12	.750 (19.1)	.875 (22.2)	.938 (23.8)
13	.812 (20.6)	.938 (23.8)	1.000 (25.4)
14	.875 (22.2)	1.000 (25.4)	1.062 (27.0)
15	.938 (23.8)	1.062 (27.0)	1.125 (28.6)
16	1.000 (25.4)	1.125 (28.6)	1.188 (30.2)
17	1.062 (27.0)	1.188 (30.2)	1.250 (31.8)
18	1.125 (28.6)	1.250 (31.8)	1.312 (33.3)
20	1.250 (31.8)	1.375 (34.9)	1.438 (36.5)
22	1.375 (34.9)	1.500 (38.1)	1.562 (39.7)
24	1.500 (38.1)	1.625 (41.3)	1.688 (42.9)

1. When maximum cable entry (page 21) is exceeded, Style 2 will be supplied. Dimensions E, F, G and H will not apply. Please consult factory.
2. Metric dimensions (mm) are indicated in parentheses.
3. Backshells supplied with 600-052-\* band, see Glenair Series 600 Tool Catalog for installation.

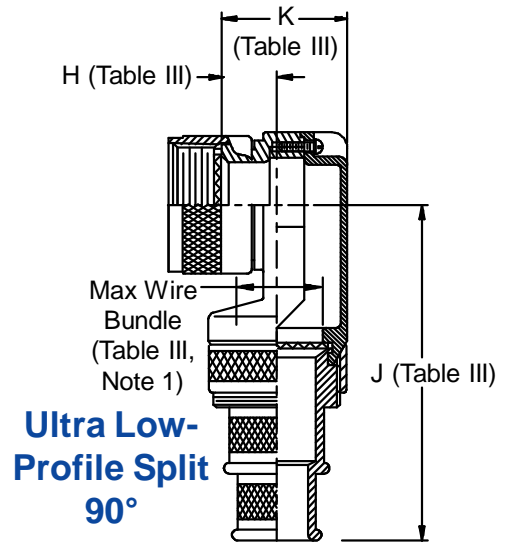
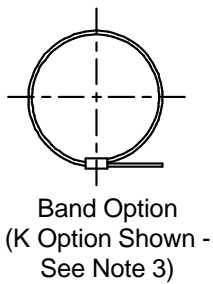
**CONNECTOR  
DESIGNATORS  
A-F-H-L-S  
ROTATABLE  
COUPLING**



\* (Table IV)



**STYLE 2  
(See Note 1)**



**440-070**  
**EMI/RFI Dual Banding Adapter**  
**Rotatable Coupling - Split Shell**



See inside back cover  
 fold-out or pages 13 and  
 14 for Tables I and II.

**TABLE III: ELBOW DIMENSIONS**

Shell Size	D Max	E Max	F Max	G Max	H Max	J Max	K Max	Function C Max Wire Bundle
08/09	.440 (11.2)	1.940 (49.3)	.680 (17.3)	1.880 (47.8)	.340 (8.6)	2.220 (56.4)	.681 (17.3)	.250 (6.4)
10/11	.500 (12.7)	2.000 (50.8)	.750 (19.1)	1.940 (49.3)	.270 (6.9)	2.380 (60.5)	.731 (18.6)	.375 (9.5)
12/13	.560 (14.2)	2.070 (52.6)	.810 (20.6)	2.010 (51.1)	.270 (6.9)	2.380 (60.5)	.731 (18.6)	.375 (9.5)
14/15	.620 (15.7)	2.100 (53.3)	.870 (22.1)	2.040 (51.8)	.280 (7.1)	2.450 (62.2)	.831 (21.1)	.500 (12.7)
16/17	.680 (17.3)	2.200 (55.9)	.930 (23.6)	2.140 (54.4)	.420 (10.7)	2.500 (63.5)	.981 (24.9)	.625 (15.9)
18/19	.750 (19.1)	2.260 (57.4)	1.000 (25.4)	2.200 (55.9)	.640 (16.3)	2.530 (64.3)	1.181 (30.0)	.625 (15.9)
20/21	.820 (20.8)	2.320 (58.9)	1.060 (26.9)	2.260 (57.4)	.640 (16.3)	2.530 (64.3)	1.181 (30.0)	.625 (15.9)
22/23	.880 (22.4)	2.380 (60.5)	1.120 (28.4)	2.320 (58.9)	.540 (13.7)	2.680 (68.1)	1.181 (30.0)	.750 (19.1)
24/25	.940 (23.9)	2.440 (62.0)	1.180 (30.0)	2.380 (60.5)	.540 (13.7)	2.680 (68.1)	1.181 (30.0)	.750 (19.1)

**TABLE IV: CABLE ENTRY**

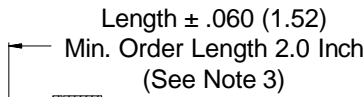
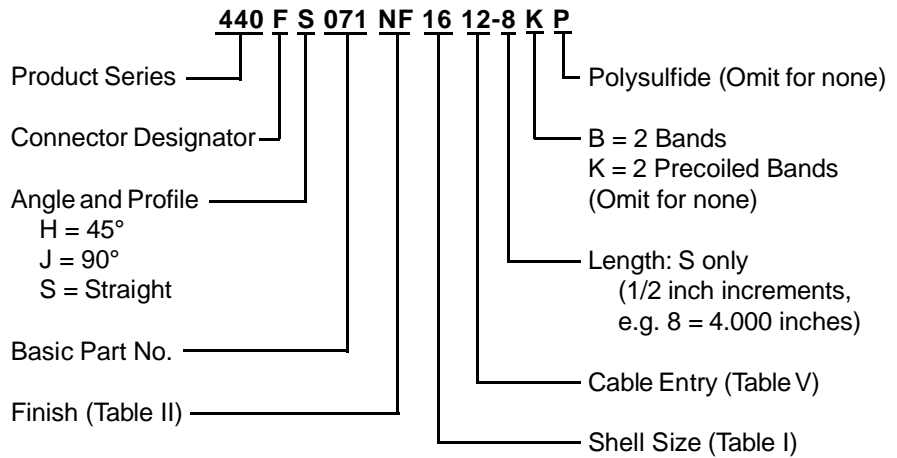
Dash No.	L Dia	M Dia	N Dia
02	.125 (3.2)	.250 (6.4)	.312 (7.9)
03	.188 (4.8)	.312 (7.9)	.375 (9.5)
04	.250 (6.4)	.375 (9.5)	.438 (11.1)
05	.312 (7.9)	.438 (11.1)	.500 (12.7)
06	.375 (9.5)	.500 (12.7)	.562 (14.3)
07	.438 (11.1)	.562 (14.3)	.625 (15.9)
08	.500 (12.7)	.625 (15.9)	.688 (17.5)
09	.562 (14.3)	.688 (17.5)	.750 (19.1)
10	.625 (15.9)	.750 (19.1)	.812 (20.6)
11	.688 (17.5)	.812 (20.6)	.875 (22.2)
12	.750 (19.1)	.875 (22.2)	.938 (23.8)
13	.812 (20.6)	.938 (23.8)	1.000 (25.4)
14	.875 (22.2)	1.000 (25.4)	1.062 (27.0)
15	.938 (23.8)	1.062 (27.0)	1.125 (28.6)
16	1.000 (25.4)	1.125 (28.6)	1.188 (30.2)
17	1.062 (27.0)	1.188 (30.2)	1.250 (31.8)
18	1.125 (28.6)	1.250 (31.8)	1.312 (33.3)
20	1.250 (31.8)	1.375 (34.9)	1.438 (36.5)
22	1.375 (34.9)	1.500 (38.1)	1.562 (39.7)
24	1.500 (38.1)	1.625 (41.3)	1.688 (42.9)

1. When maximum cable entry (page 21) is exceeded, Style 2 will be supplied (not available on Function C). Dimensions D, E, F and G will not apply. Please consult factory.
2. Metric dimensions (mm) are indicated in parentheses.
3. Backshells supplied with 600-052-\* band, see Glenair Series 600 Tool Catalog for installation.
4. Angular function "C", low-profile split elbow, not available with "S" connector designator.

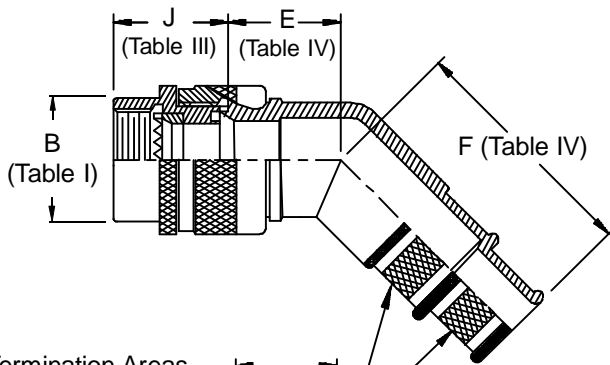
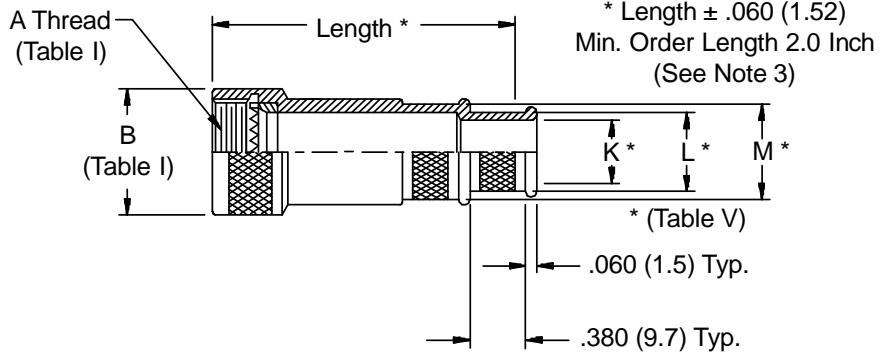


**CONNECTOR  
DESIGNATORS  
A-B\*-C-D-E-F  
G-H-J-K-L-S**

\* Conn. Desig. B See Note 4  
**DIRECT COUPLING**

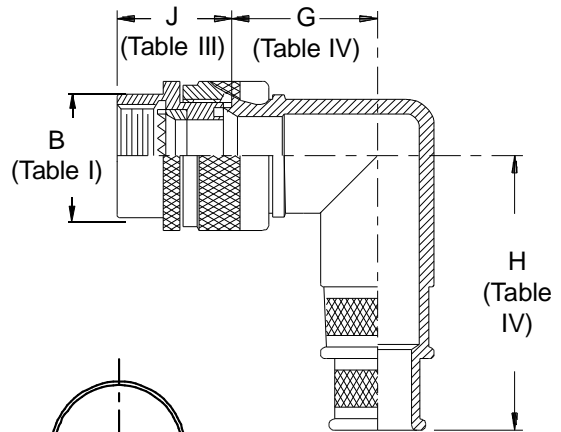


**STYLE 2  
(STRAIGHT  
See Note 1)**



Termination Areas  
Free of Cadmium.  
Knurl or Ridges  
Mfr's Option

Polysulfide Stripes  
P Option



Band Option  
(K Option Shown -  
See Note 5)

See inside back cover  
fold-out or pages 13 and  
14 for Tables I and II.

TABLE III: FRONT ADAPTER			
Shell Size	J Max - Conn. Designator		
	A-E-F		C
	J-H-L-S	D-B-G-K	
08/09	1.180 (30.0)	1.250 (31.8)	
10/11	1.180 (30.0)	1.250 (31.8)	
12/13	1.180 (30.0)	1.250 (31.8)	1.735 (44.1)
14/15	1.180 (30.0)	1.250 (31.8)	1.915 (48.6)
16/17	1.380 (35.0)	1.560 (39.6)	1.915 (48.6)
18/19	1.380 (35.0)	1.560 (39.6)	1.915 (48.6)
20/21	1.380 (35.0)	1.560 (39.6)	1.915 (48.6)
22/23	1.380 (35.0)	1.560 (39.6)	1.915 (48.6)
24/25	1.380 (35.0)	1.560 (39.6)	1.915 (48.6)
28/29	1.610 (40.9)	1.560 (39.6)	1.915 (48.6)
32/33	1.610 (40.9)	1.750 (44.5)	1.915 (48.6)
36	1.610 (40.9)	1.750 (44.5)	1.915 (48.6)
40	1.610 (40.9)	2.190 (55.6)	1.915 (48.6)

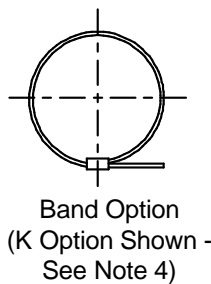
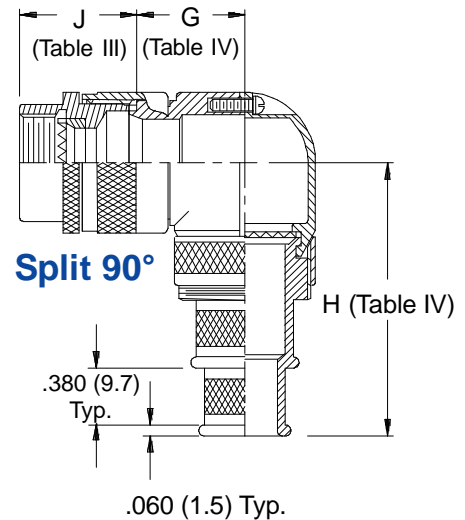
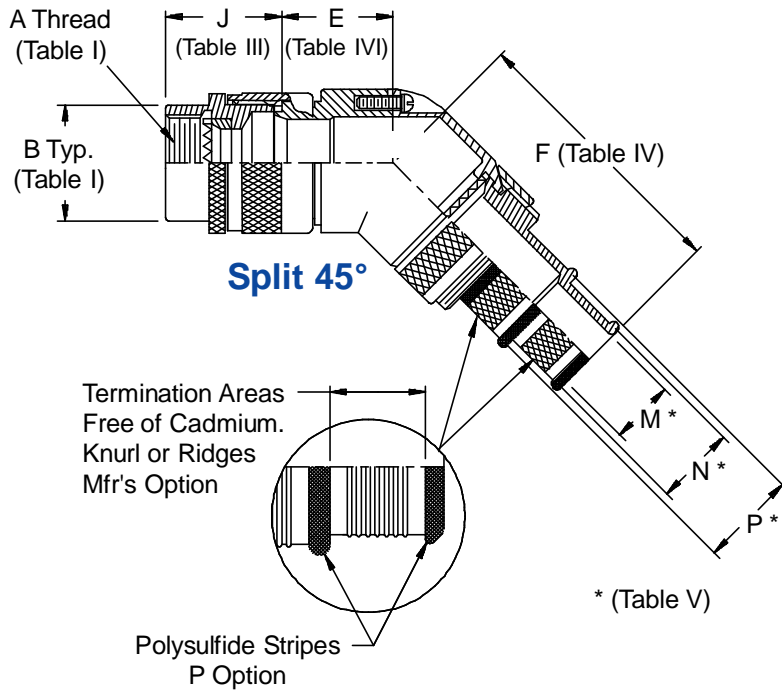
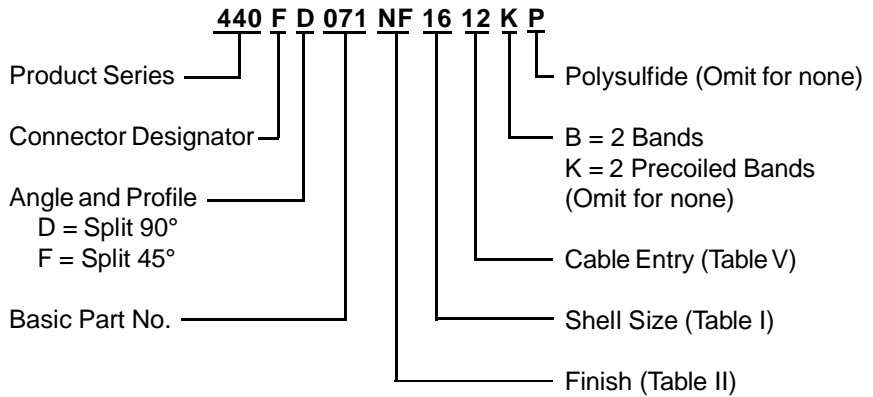
TABLE IV: ELBOW DIMENSIONS						
Elbow Size	E Max	F Max	G Max	H Max		
02	.639 (16.2)	1.328 (33.7)	.750 (19.1)	1.438 (36.5)		
03	.639 (16.2)	1.328 (33.7)	.750 (19.1)	1.438 (36.5)		
04	.639 (16.2)	1.328 (33.7)	.750 (19.1)	1.438 (36.5)		
05	.664 (16.9)	1.358 (34.5)	.810 (20.6)	1.498 (38.0)		
06	.664 (16.9)	1.358 (34.5)	.810 (20.6)	1.498 (38.0)		
07	.688 (17.5)	1.378 (35.0)	.870 (22.1)	1.558 (39.6)		
08	.688 (17.5)	1.378 (35.0)	.870 (22.1)	1.558 (39.6)		
09	.705 (17.9)	1.408 (35.8)	.920 (23.4)	1.628 (41.4)		
10	.732 (18.6)	1.428 (36.3)	.980 (24.9)	1.688 (42.9)		
11	.732 (18.6)	1.428 (36.3)	.980 (24.9)	1.688 (42.9)		
12	.748 (19.0)	1.438 (36.5)	1.020 (25.9)	1.708 (43.4)		
13	.773 (19.6)	1.458 (37.0)	1.080 (27.4)	1.768 (44.9)		
14	.773 (19.6)	1.458 (37.0)	1.080 (27.4)	1.768 (44.9)		
15	.800 (20.3)	1.498 (38.0)	1.140 (29.0)	1.848 (46.9)		
16	.800 (20.3)	1.498 (38.0)	1.140 (29.0)	1.848 (46.9)		

TABLE V: CABLE ENTRY				
Dash No.	K Dia	L Dia	M Dia	
02	.125 (3.2)	.250 (6.4)	.312 (7.9)	
03	.188 (4.8)	.312 (7.9)	.375 (9.5)	
04	.250 (6.4)	.375 (9.5)	.438 (11.1)	
05	.312 (7.9)	.438 (11.1)	.500 (12.7)	
06	.375 (9.5)	.500 (12.7)	.562 (14.3)	
07	.438 (11.1)	.562 (14.3)	.625 (15.9)	
08	.500 (12.7)	.625 (15.9)	.688 (17.5)	
09	.562 (14.3)	.688 (17.5)	.750 (19.1)	
10	.625 (15.9)	.750 (19.1)	.812 (20.6)	
11	.688 (17.5)	.812 (20.6)	.875 (22.2)	
12	.750 (19.1)	.875 (22.2)	.938 (23.8)	
13	.812 (20.6)	.938 (23.8)	1.000 (25.4)	
14	.875 (22.2)	1.000 (25.4)	1.062 (27.0)	
15	.938 (23.8)	1.062 (27.0)	1.125 (28.6)	
16	1.000 (25.4)	1.125 (28.6)	1.188 (30.2)	
17	1.062 (27.0)	1.188 (30.2)	1.250 (31.8)	
18	1.125 (28.6)	1.250 (31.8)	1.312 (33.3)	
20	1.250 (31.8)	1.375 (34.9)	1.438 (36.5)	
22	1.375 (34.9)	1.500 (38.1)	1.562 (39.7)	
24	1.500 (38.1)	1.625 (41.3)	1.688 (42.9)	

1. When maximum cable entry (page 22) is exceeded, Style 2 will be supplied. (Function S only).
2. Metric dimensions (mm) are indicated in parentheses.
3. Consult factory for shorter lengths on straight backshells.
4. When using Connector Designator B refer to pages 18 and 19 for part number development.
5. Backshells supplied with 600-052-\* band, see Glenair Series 600 Tool Catalog for installation.

**CONNECTOR DESIGNATORS**  
**A-B\*-C-D-E-F**  
**G-H-J-K-L-S**

\* Conn. Desig. B See Note 2  
**DIRECT COUPLING**



See inside back cover fold-out or pages 13 and 14 for Tables I and II.

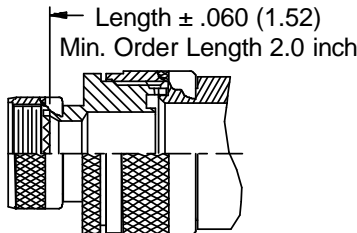
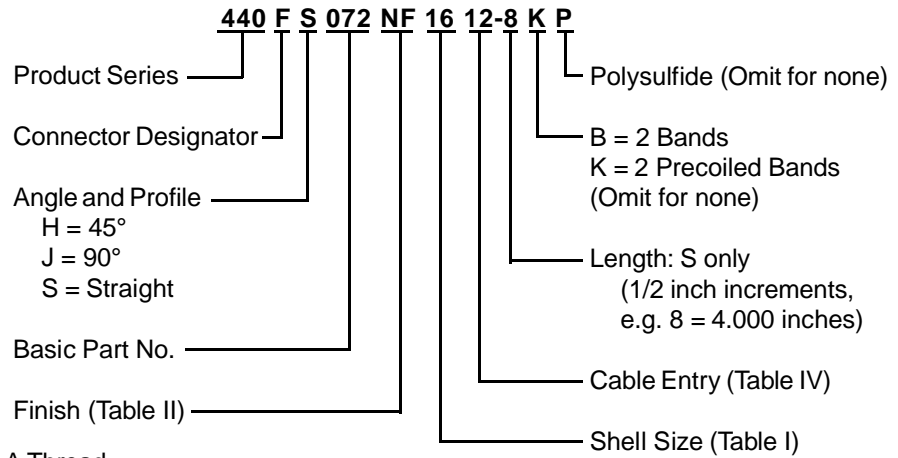
TABLE III: FRONT ADAPTER			
Shell Size	J Max - Conn. Designator		
	A-E-F		C
	J-H-L-S	D-B-G-K	
08/09	1.180 (30.0)	1.250 (31.8)	
10/11	1.180 (30.0)	1.250 (31.8)	
12/13	1.180 (30.0)	1.250 (31.8)	1.735 (44.1)
14/15	1.180 (30.0)	1.250 (31.8)	1.915 (48.6)
16/17	1.380 (35.0)	1.560 (39.6)	1.915 (48.6)
18/19	1.380 (35.0)	1.560 (39.6)	1.915 (48.6)
20/21	1.380 (35.0)	1.560 (39.6)	1.915 (48.6)
22/23	1.380 (35.0)	1.560 (39.6)	1.915 (48.6)
24/25	1.380 (35.0)	1.560 (39.6)	1.915 (48.6)
28/29	1.610 (40.9)	1.560 (39.6)	1.915 (48.6)
32/33	1.610 (40.9)	1.750 (44.5)	1.915 (48.6)
36	1.610 (40.9)	1.750 (44.5)	1.915 (48.6)
40	1.610 (40.9)	2.190 (55.6)	1.915 (48.6)

TABLE IV: ELBOW DIMENSIONS					
Elbow Size	E Max	F Max	G Max	H Max	
02	.440 (11.2)	1.940 (49.3)	.680 (17.3)	1.880 (47.8)	
03	.440 (11.2)	1.940 (49.3)	.680 (17.3)	1.880 (47.8)	
04	.440 (11.2)	1.940 (49.3)	.680 (17.3)	1.880 (47.8)	
05	.500 (12.7)	2.000 (50.8)	.750 (19.1)	1.940 (49.3)	
06	.500 (12.7)	2.000 (50.8)	.750 (19.1)	1.940 (49.3)	
07	.560 (14.2)	2.070 (52.6)	.810 (20.6)	2.010 (51.1)	
08	.560 (14.2)	2.070 (52.6)	.810 (20.6)	2.010 (51.1)	
09	.620 (15.7)	2.100 (53.3)	.870 (22.1)	2.040 (51.8)	
10	.680 (17.3)	2.200 (55.9)	.930 (23.6)	2.140 (54.4)	
11	.680 (17.3)	2.200 (55.9)	.930 (23.6)	2.140 (54.4)	
12	.750 (19.1)	2.260 (57.4)	1.000 (25.4)	2.200 (55.9)	
13	.820 (20.8)	2.320 (58.9)	1.060 (26.9)	2.260 (57.4)	
14	.820 (20.8)	2.320 (58.9)	1.060 (26.9)	2.260 (57.4)	
15	.880 (22.4)	2.380 (60.5)	1.120 (28.4)	2.320 (58.9)	
16	.880 (22.4)	2.380 (60.5)	1.120 (28.4)	2.320 (58.9)	

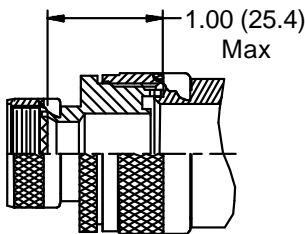
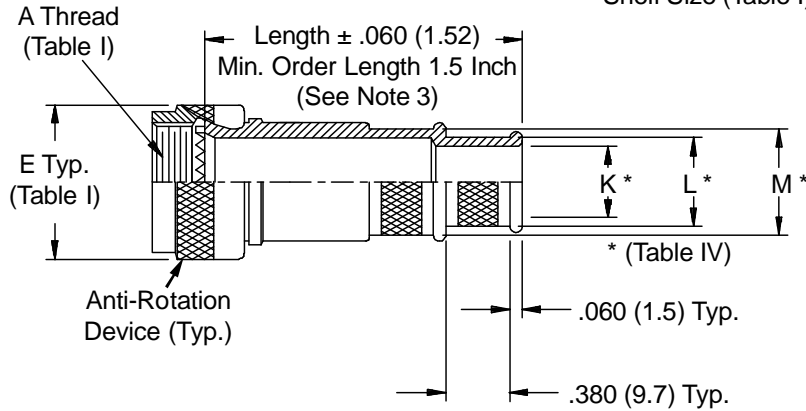
TABLE V: CABLE ENTRY					
Dash No.	M Dia	N Dia	P Dia		
02	.125 (3.2)	.250 (6.4)	.312 (7.9)		
03	.188 (4.8)	.312 (7.9)	.375 (9.5)		
04	.250 (6.4)	.375 (9.5)	.438 (11.1)		
05	.312 (7.9)	.438 (11.1)	.500 (12.7)		
06	.375 (9.5)	.500 (12.7)	.562 (14.3)		
07	.438 (11.1)	.562 (14.3)	.625 (15.9)		
08	.500 (12.7)	.625 (15.9)	.688 (17.5)		
09	.562 (14.3)	.688 (17.5)	.750 (19.1)		
10	.625 (15.9)	.750 (19.1)	.812 (20.6)		
11	.688 (17.5)	.812 (20.6)	.875 (22.2)		
12	.750 (19.1)	.875 (22.2)	.938 (23.8)		
13	.812 (20.6)	.938 (23.8)	1.000 (25.4)		
14	.875 (22.2)	1.000 (25.4)	1.062 (27.0)		
15	.938 (23.8)	1.062 (27.0)	1.125 (28.6)		
16	1.000 (25.4)	1.125 (28.6)	1.188 (30.2)		
17	1.062 (27.0)	1.188 (30.2)	1.250 (31.8)		
18	1.125 (28.6)	1.250 (31.8)	1.312 (33.3)		
20	1.250 (31.8)	1.375 (34.9)	1.438 (36.5)		
22	1.375 (34.9)	1.500 (38.1)	1.562 (39.7)		
24	1.500 (38.1)	1.625 (41.3)	1.688 (42.9)		

1. Metric dimensions (mm) are indicated in parentheses.
2. When using Connector Designator B refer to pages 18 and 19 for part number development.
3. Backshells supplied with 600-052-\* band, see Glenair Series 600 Tool Catalog for installation.

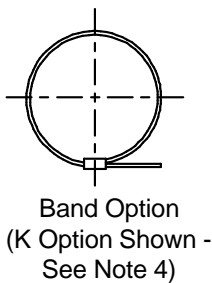
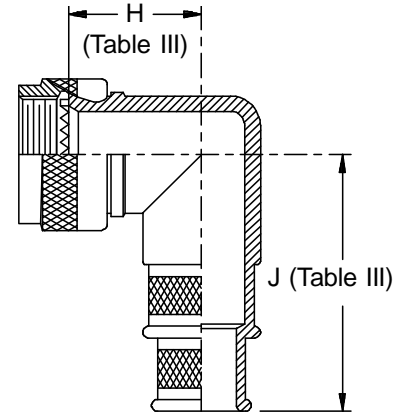
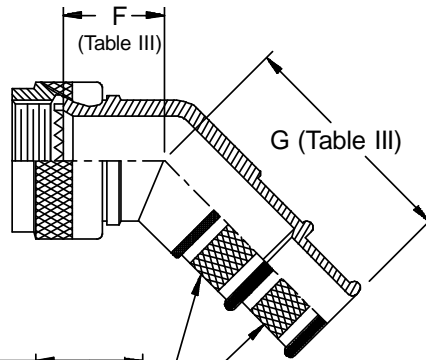
**CONNECTOR DESIGNATORS**  
**A-F-H-L-S**  
**SELF-LOCKING ROTATABLE COUPLING**



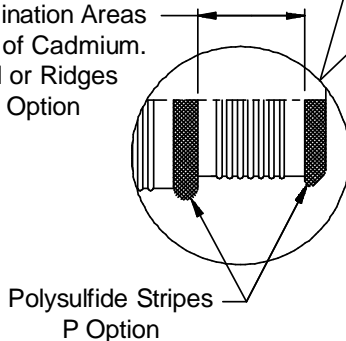
**STYLE 2 (STRAIGHT)**  
See Note 1)



**STYLE 2 (45° & 90°)**  
See Note 1)



Termination Areas Free of Cadmium. Knurl or Ridges Mfr's Option



See inside back cover fold-out or pages 13 and 14 for Tables I and II.

**TABLE III: ELBOW DIMENSIONS**

Shell Size		F	G	H	J
Conn. Desig.	H	Max	Max	Max	Max
A-F-L-S					
08	09	.795 (20.2)	1.328 (33.7)	.906 (23.0)	1.438 (36.5)
10	11	.820 (20.8)	1.358 (34.5)	.966 (24.5)	1.498 (38.0)
12	13	.844 (21.4)	1.378 (35.0)	1.026 (26.1)	1.558 (39.6)
14	15	.861 (21.9)	1.408 (35.8)	1.076 (27.3)	1.628 (41.4)
16	17	.888 (22.6)	1.428 (36.3)	1.136 (28.9)	1.688 (42.9)
18	19	.904 (23.0)	1.438 (36.5)	1.176 (29.9)	1.708 (43.4)
20	21	.929 (23.6)	1.458 (37.0)	1.236 (31.4)	1.768 (44.9)
22	23	.956 (24.3)	1.498 (38.0)	1.296 (32.9)	1.848 (46.9)
24	25	.979 (24.9)	1.528 (38.8)	1.356 (34.4)	1.918 (48.7)

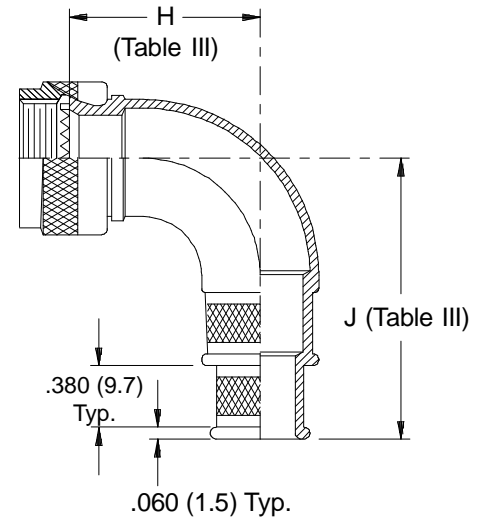
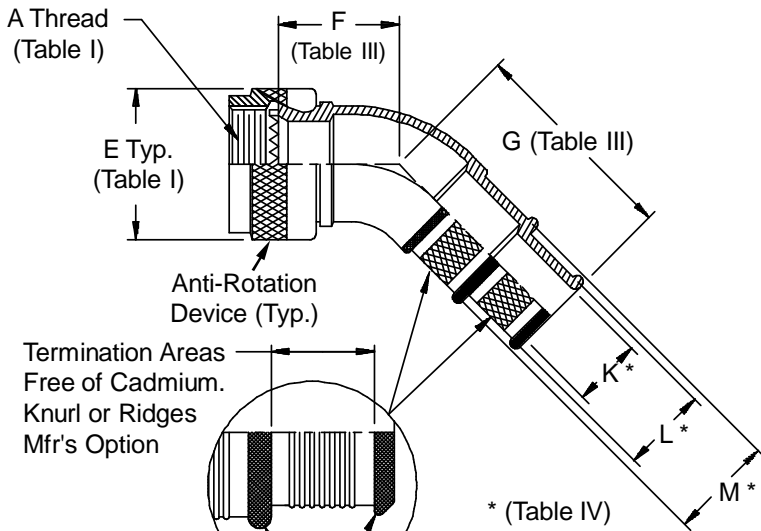
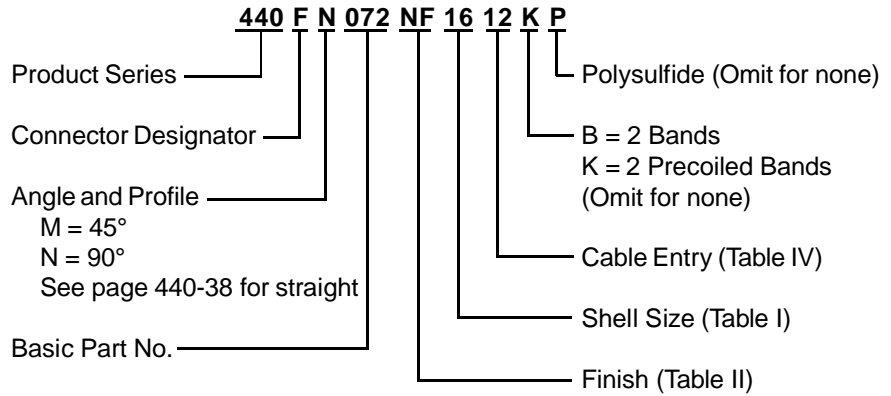
**TABLE IV: CABLE ENTRY**

Dash No.	K Dia	L Dia	M Dia
02	.125 (3.2)	.250 (6.4)	.312 (7.9)
03	.188 (4.8)	.312 (7.9)	.375 (9.5)
04	.250 (6.4)	.375 (9.5)	.438 (11.1)
05	.312 (7.9)	.438 (11.1)	.500 (12.7)
06	.375 (9.5)	.500 (12.7)	.562 (14.3)
07	.438 (11.1)	.562 (14.3)	.625 (15.9)
08	.500 (12.7)	.625 (15.9)	.688 (17.5)
09	.562 (14.3)	.688 (17.5)	.750 (19.1)
10	.625 (15.9)	.750 (19.1)	.812 (20.6)
11	.688 (17.5)	.812 (20.6)	.875 (22.2)
12	.750 (19.1)	.875 (22.2)	.938 (23.8)
13	.812 (20.6)	.938 (23.8)	1.000 (25.4)
14	.875 (22.2)	1.000 (25.4)	1.062 (27.0)
15	.938 (23.8)	1.062 (27.0)	1.125 (28.6)
16	1.000 (25.4)	1.125 (28.6)	1.188 (30.2)
17	1.062 (27.0)	1.188 (30.2)	1.250 (31.8)
18	1.125 (28.6)	1.250 (31.8)	1.312 (33.3)
20	1.250 (31.8)	1.375 (34.9)	1.438 (36.5)
22	1.375 (34.9)	1.500 (38.1)	1.562 (39.7)
24	1.500 (38.1)	1.625 (41.3)	1.688 (42.9)

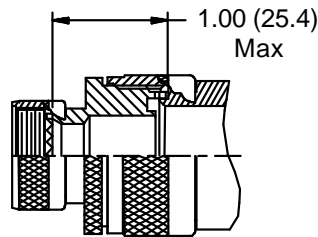
1. When maximum cable entry (page 21) is exceeded, Style 2 will be supplied. Dimensions F, G, H and J will not apply. Please consult factory.
2. Metric dimensions (mm) are indicated in parentheses.
3. Consult factory for shorter lengths on straight backshells.
4. Backshells supplied with 600-052-\* band, see Glenair Series 600 Tool Catalog for installation.



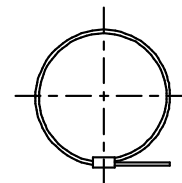
**CONNECTOR  
 DESIGNATORS  
 A-F-H-L-S  
 SELF-LOCKING  
 ROTATABLE  
 COUPLING**



Polysulfide Stripes  
 P Option



**STYLE 2**  
 (See Note 1)



Band Option  
 (K Option Shown -  
 See Note 3)

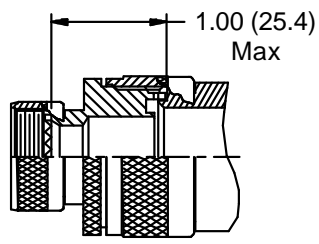
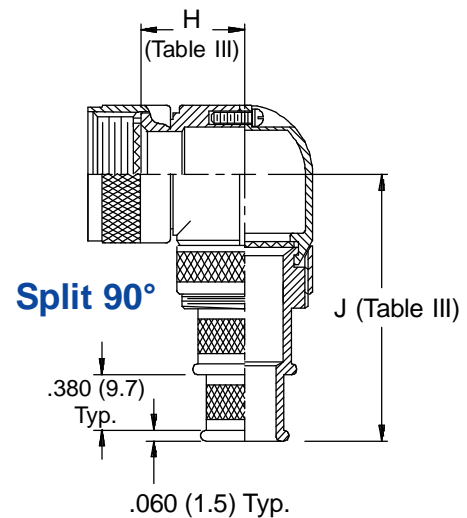
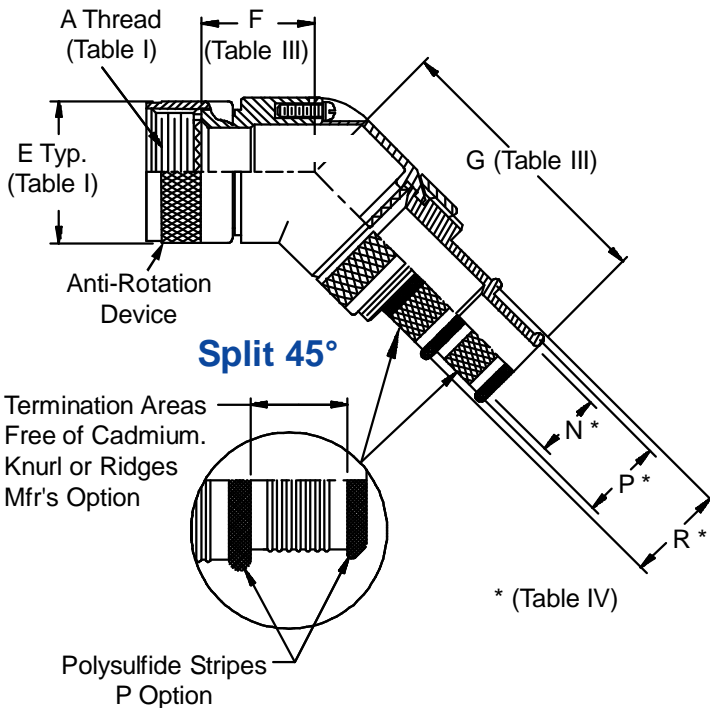
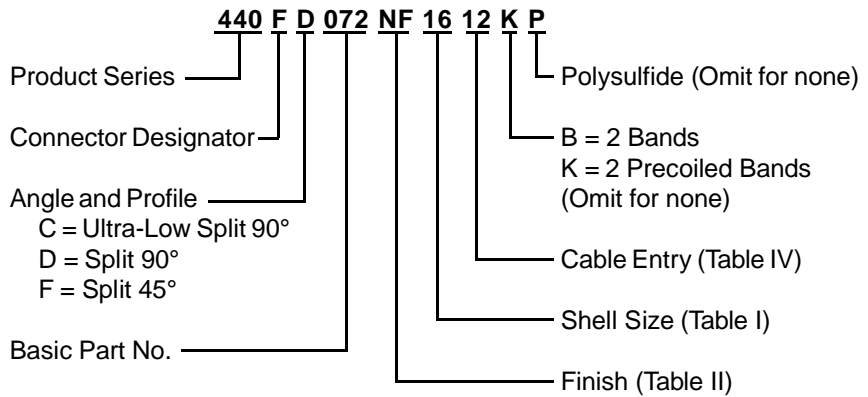
See inside back cover fold-out or pages 13 and 14 for Tables I and II.

<b>TABLE III: ELBOW DIMENSIONS</b>									
Shell Size		F		G		H		J	
Conn. Desig.	H	Max		Max		Max		Max	
A-F-L-S	H								
08	09	.968	(24.6)	1.230	(31.2)	1.281	(32.5)	1.530	(38.9)
10	11	1.031	(26.2)	1.290	(32.8)	1.406	(35.7)	1.660	(42.2)
12	13	1.094	(27.8)	1.350	(34.3)	1.531	(38.9)	1.790	(45.5)
14	15	1.156	(29.4)	1.410	(35.8)	1.656	(42.1)	1.910	(48.5)
16	17	1.218	(30.9)	1.470	(37.3)	1.781	(45.2)	2.040	(51.8)
18	19	1.250	(31.8)	1.540	(39.1)	1.906	(48.4)	2.160	(54.9)
20	21	1.312	(33.3)	1.600	(40.6)	2.031	(51.6)	2.290	(58.2)
22	23	1.344	(34.1)	1.660	(42.2)	2.156	(54.8)	2.410	(61.2)
24	25	1.406	(35.7)	1.720	(43.7)	2.281	(57.9)	2.540	(64.5)

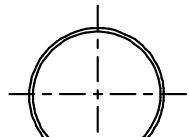
<b>TABLE IV: CABLE ENTRY</b>				
Dash No.	K Dia	L Dia	M Dia	
02	.125 (3.2)	.250 (6.4)	.312 (7.9)	
03	.188 (4.8)	.312 (7.9)	.375 (9.5)	
04	.250 (6.4)	.375 (9.5)	.438 (11.1)	
05	.312 (7.9)	.438 (11.1)	.500 (12.7)	
06	.375 (9.5)	.500 (12.7)	.562 (14.3)	
07	.438 (11.1)	.562 (14.3)	.625 (15.9)	
08	.500 (12.7)	.625 (15.9)	.688 (17.5)	
09	.562 (14.3)	.688 (17.5)	.750 (19.1)	
10	.625 (15.9)	.750 (19.1)	.812 (20.6)	
11	.688 (17.5)	.812 (20.6)	.875 (22.2)	
12	.750 (19.1)	.875 (22.2)	.938 (23.8)	
13	.812 (20.6)	.938 (23.8)	1.000 (25.4)	
14	.875 (22.2)	1.000 (25.4)	1.062 (27.0)	
15	.938 (23.8)	1.062 (27.0)	1.125 (28.6)	
16	1.000 (25.4)	1.125 (28.6)	1.188 (30.2)	
17	1.062 (27.0)	1.188 (30.2)	1.250 (31.8)	
18	1.125 (28.6)	1.250 (31.8)	1.312 (33.3)	
20	1.250 (31.8)	1.375 (34.9)	1.438 (36.5)	
22	1.375 (34.9)	1.500 (38.1)	1.562 (39.7)	
24	1.500 (38.1)	1.625 (41.3)	1.688 (42.9)	

1. When maximum cable entry (page 21) is exceeded, Style 2 will be supplied. Dimensions F, G, H and J will not apply. Please consult factory.
2. Metric dimensions (mm) are indicated in parentheses.
3. Backshells supplied with 600-052-\* band, see Glenair Series 600 Tool Catalog for installation.

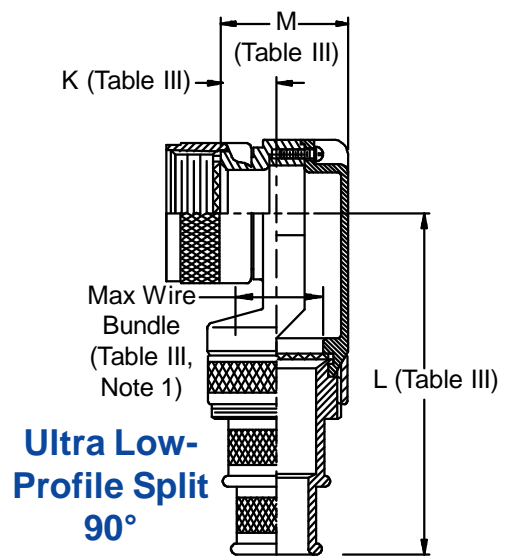
**CONNECTOR DESIGNATORS**  
**A-F-H-L-S**  
**SELF-LOCKING**  
**ROTATABLE**  
**COUPLING**



**STYLE 2**  
 (See Note 1)



Band Option  
 (K Option Shown - See Note 3)



**440-072**  
**EMI/RFI Dual Banding Adapter**  
**Self-Locking Rotatable Coupling - Split Shell**



See inside back cover fold-out or pages 13 and 14 for Tables I and II.

**TABLE III: ELBOW DIMENSIONS**

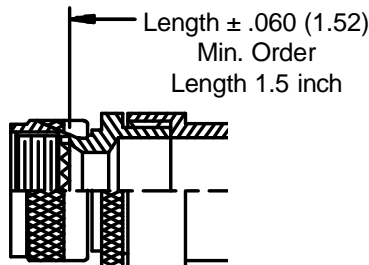
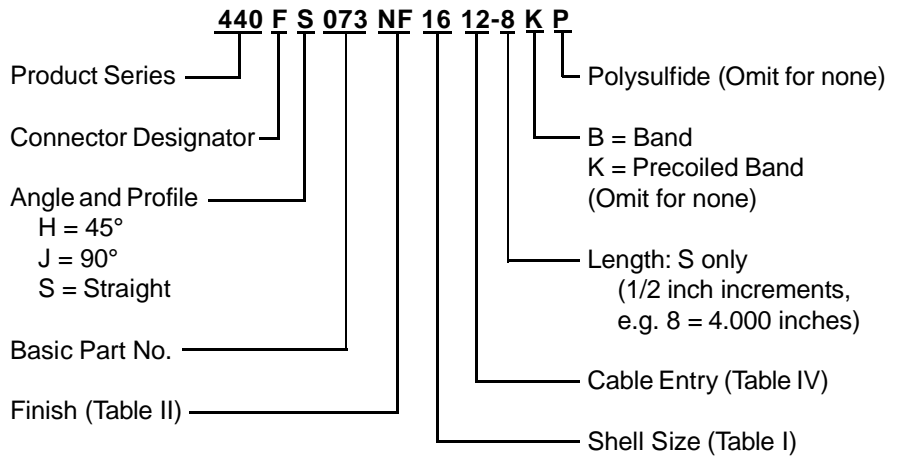
Shell Size	F Max	G Max	H Max	J Max	K Max	L Max	M Max	Function C Max Wire Bundle
08/09	.596 (15.1)	1.940 (49.3)	.836 (21.2)	1.880 (47.8)	.496 (12.6)	2.220 (56.4)	.837 (21.3)	.250 (6.4)
10/11	.656 (16.7)	2.000 (50.8)	.906 (23.0)	1.940 (49.3)	.426 (10.8)	2.380 (60.5)	.887 (22.5)	.375 (9.5)
12/13	.716 (18.2)	2.070 (52.6)	.966 (24.5)	2.010 (51.1)	.426 (10.8)	2.380 (60.5)	.887 (22.5)	.375 (9.5)
14/15	.776 (19.7)	2.100 (53.3)	1.026 (26.1)	2.040 (51.8)	.436 (11.1)	2.450 (62.2)	.987 (25.1)	.500 (12.7)
16/17	.836 (21.2)	2.200 (55.9)	1.086 (27.6)	2.140 (54.4)	.576 (14.6)	2.500 (63.5)	1.137 (28.9)	.625 (15.9)
18/19	.906 (23.0)	2.260 (57.4)	1.156 (29.4)	2.200 (55.9)	.796 (20.2)	2.530 (64.3)	1.337 (34.0)	.625 (15.9)
20/21	.976 (24.8)	2.320 (58.9)	1.216 (30.9)	2.260 (57.4)	.796 (20.2)	2.530 (64.3)	1.337 (34.0)	.625 (15.9)
22/23	1.036 (26.3)	2.380 (60.5)	1.276 (32.4)	2.320 (58.9)	.696 (17.7)	2.680 (68.1)	1.337 (34.0)	.750 (19.1)
24/25	1.096 (27.8)	2.440 (62.0)	1.336 (33.9)	2.380 (60.5)	.696 (17.7)	2.680 (68.1)	1.337 (34.0)	.750 (19.1)

**TABLE IV: CABLE ENTRY**

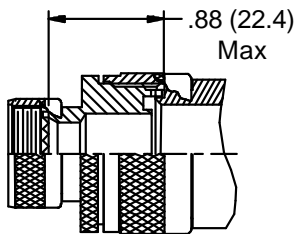
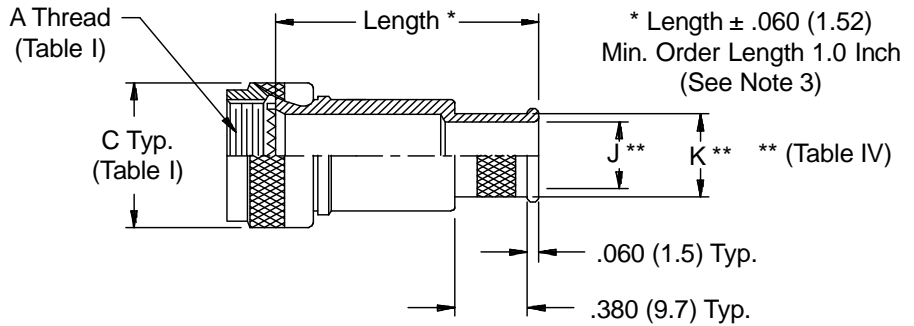
Dash No.	N Dia	P Dia	R Dia
02	.125 (3.2)	.250 (6.4)	.312 (7.9)
03	.188 (4.8)	.312 (7.9)	.375 (9.5)
04	.250 (6.4)	.375 (9.5)	.438 (11.1)
05	.312 (7.9)	.438 (11.1)	.500 (12.7)
06	.375 (9.5)	.500 (12.7)	.562 (14.3)
07	.438 (11.1)	.562 (14.3)	.625 (15.9)
08	.500 (12.7)	.625 (15.9)	.688 (17.5)
09	.562 (14.3)	.688 (17.5)	.750 (19.1)
10	.625 (15.9)	.750 (19.1)	.812 (20.6)
11	.688 (17.5)	.812 (20.6)	.875 (22.2)
12	.750 (19.1)	.875 (22.2)	.938 (23.8)
13	.812 (20.6)	.938 (23.8)	1.000 (25.4)
14	.875 (22.2)	1.000 (25.4)	1.062 (27.0)
15	.938 (23.8)	1.062 (27.0)	1.125 (28.6)
16	1.000 (25.4)	1.125 (28.6)	1.188 (30.2)
17	1.062 (27.0)	1.188 (30.2)	1.250 (31.8)
18	1.125 (28.6)	1.250 (31.8)	1.312 (33.3)
20	1.250 (31.8)	1.375 (34.9)	1.438 (36.5)
22	1.375 (34.9)	1.500 (38.1)	1.562 (39.7)
24	1.500 (38.1)	1.625 (41.3)	1.688 (42.9)

1. When maximum cable entry (page 21) is exceeded, Style 2 will be supplied (not available on Function C). Dimensions F, G, H and J will not apply. Please consult factory.
2. Metric dimensions (mm) are indicated in parentheses.
3. Backshells supplied with 600-052-\* band, see Glenair Series 600 Tool Catalog for installation.
4. Angular function "C", low-profile split elbow, not available with "S" connector designator.

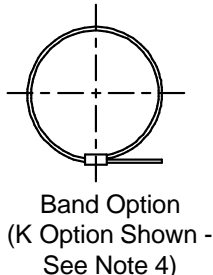
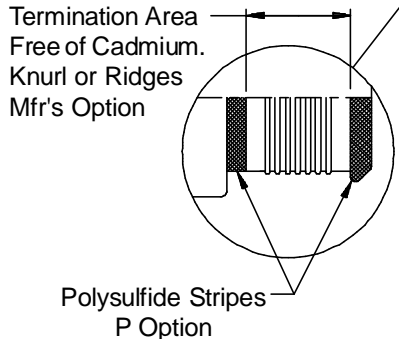
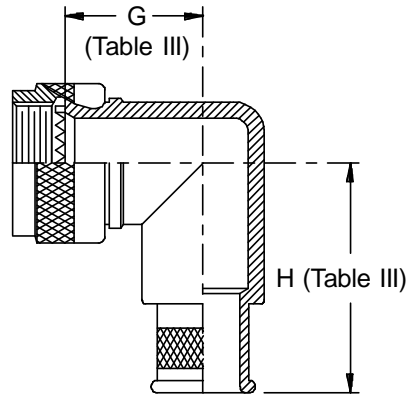
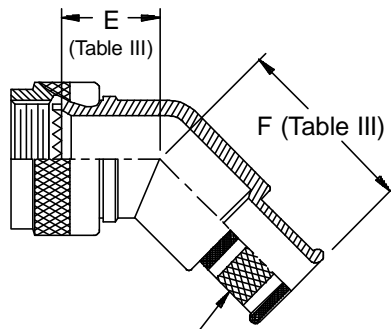
**CONNECTOR DESIGNATORS**  
**A-F-H-L-S**  
**ROTATABLE COUPLING**



**STYLE 2 (STRAIGHT)**  
See Note 1)



**STYLE 2 (45° & 90°)**  
See Note 1)



See inside back cover fold-out or pages 13 and 14 for Tables I and II.

**TABLE III: ELBOW DIMENSIONS**

Shell Size		E		F		G		H	
Conn. Desig.	H	Max		Max		Max		Max	
A-F-L-S									
08	09	.639	(16.2)	.890	(22.6)	.750	(19.1)	1.000	(25.4)
10	11	.664	(16.9)	.920	(23.4)	.810	(20.6)	1.060	(26.9)
12	13	.688	(17.5)	.940	(23.9)	.870	(22.1)	1.120	(28.4)
14	15	.705	(17.9)	.970	(24.6)	.920	(23.4)	1.190	(30.2)
16	17	.732	(18.6)	.990	(25.1)	.980	(24.9)	1.250	(31.8)
18	19	.748	(19.0)	1.000	(25.4)	1.020	(25.9)	1.270	(32.3)
20	21	.773	(19.6)	1.020	(25.9)	1.080	(27.4)	1.330	(33.8)
22	23	.800	(20.3)	1.060	(26.9)	1.140	(29.0)	1.410	(35.8)
24	25	.823	(20.9)	1.090	(27.7)	1.200	(30.5)	1.480	(37.6)

**TABLE IV: CABLE ENTRY**

Dash No.	J Dia	K Dia
02	.125 (3.2)	.250 (6.4)
03	.188 (4.8)	.312 (7.9)
04	.250 (6.4)	.375 (9.5)
05	.312 (7.9)	.438 (11.1)
06	.375 (9.5)	.500 (12.7)
07	.438 (11.1)	.562 (14.3)
08	.500 (12.7)	.625 (15.9)
09	.562 (14.3)	.688 (17.5)
10	.625 (15.9)	.750 (19.1)
11	.688 (17.5)	.812 (20.6)
12	.750 (19.1)	.875 (22.2)
13	.812 (20.6)	.938 (23.8)
14	.875 (22.2)	1.000 (25.4)
15	.938 (23.8)	1.062 (27.0)
16	1.000 (25.4)	1.125 (28.6)
17	1.062 (27.0)	1.188 (30.2)
18	1.125 (28.6)	1.250 (31.8)
20	1.250 (31.8)	1.375 (34.9)
22	1.375 (34.9)	1.500 (38.1)
24	1.500 (38.1)	1.625 (41.3)

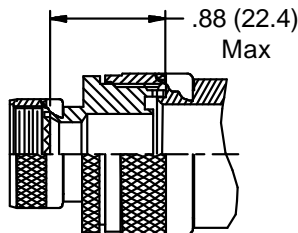
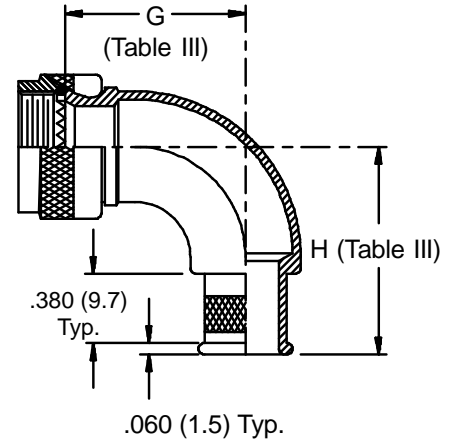
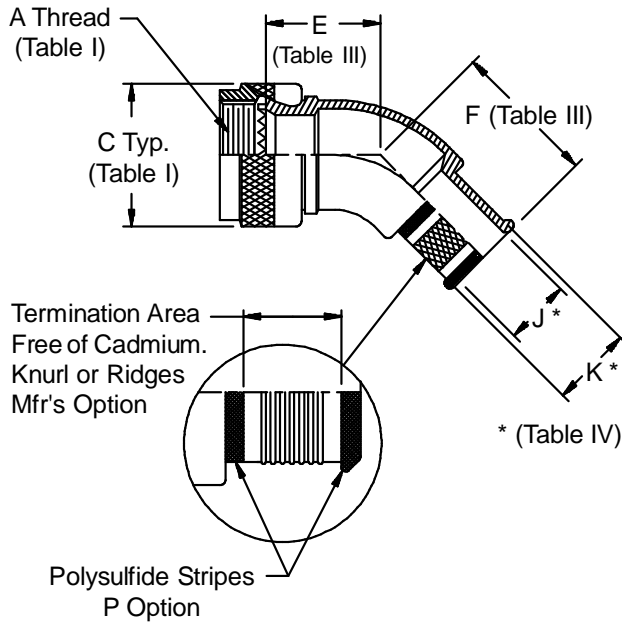
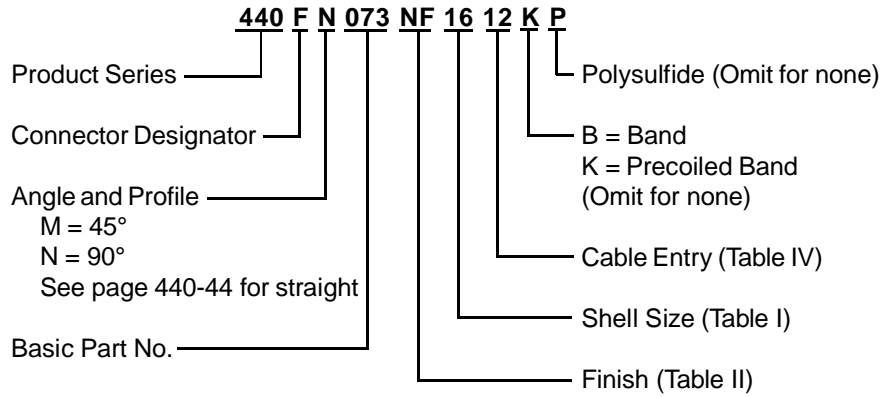
1. When maximum cable entry (page 21) is exceeded, Style 2 will be supplied. Dimensions E, F, G and H will not apply. Please consult factory.
2. Metric dimensions (mm) are indicated in parentheses.
3. Consult factory for shorter lengths on straight backshells.
4. Backshells supplied with 600-052-\* band, see Glenair Series 600 Tool Catalog for installation.

**-445** Now Available with the "NESTOR"

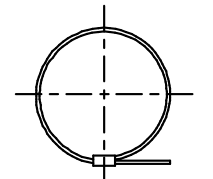
**Add "-445" to Specify Glenair's Non-Detent, Spring-Loaded, Self-Locking Coupling. See Page 41 for Details.**



**CONNECTOR  
DESIGNATORS  
A-F-H-L-S  
ROTATABLE  
COUPLING**



**STYLE 2**  
(See Note 1)



Band Option  
(K Option Shown - See Note 3)

See inside back cover fold-out or pages 13 and 14 for Tables I and II.

**TABLE III: ELBOW DIMENSIONS**

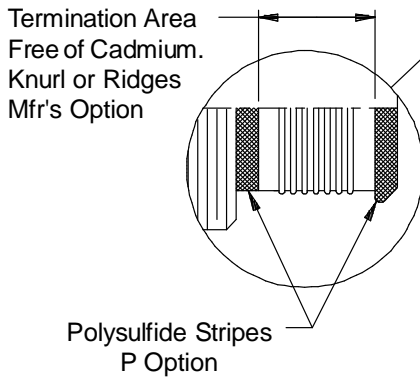
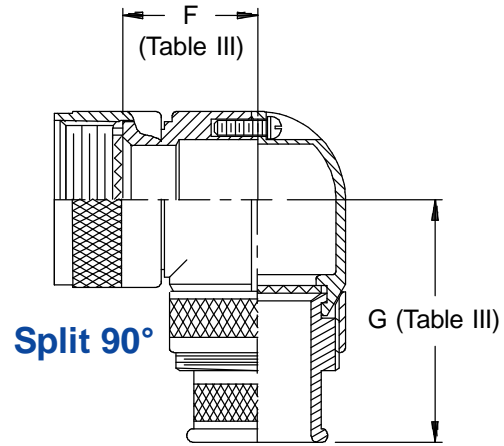
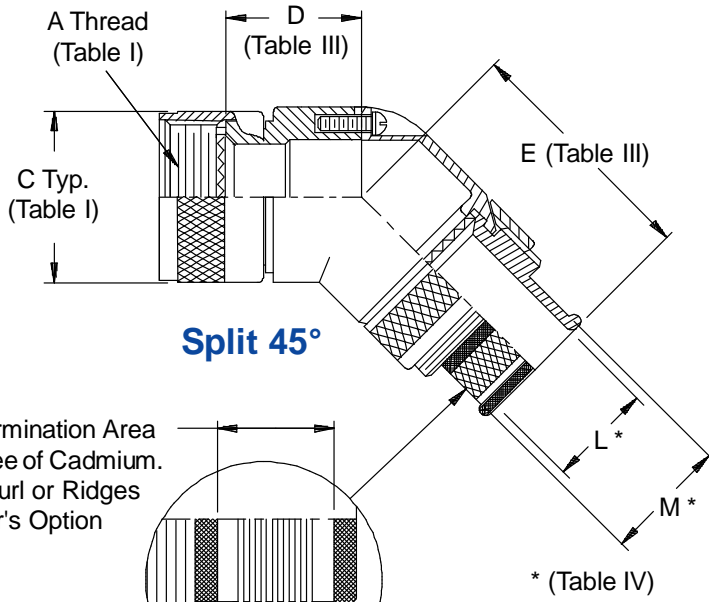
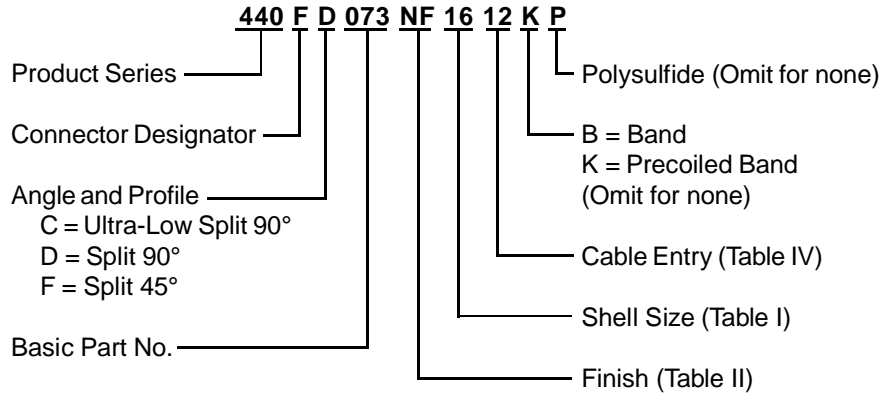
Shell Size		E Max	F Max	G Max	H Max
Conn. Desig. A-F-L-S	H				
08	09	.812 (20.6)	.807 (20.5)	1.125 (28.6)	1.125 (28.6)
10	11	.875 (22.2)	.861 (21.9)	1.250 (31.8)	1.250 (31.8)
12	13	.938 (23.8)	.911 (23.1)	1.375 (34.9)	1.375 (34.9)
14	15	1.000 (25.4)	.965 (24.5)	1.500 (38.1)	1.500 (38.1)
16	17	1.062 (27.0)	1.014 (25.8)	1.625 (41.3)	1.625 (41.3)
18	19	1.094 (27.8)	1.064 (27.0)	1.750 (44.5)	1.750 (44.5)
20	21	1.156 (29.4)	1.118 (28.4)	1.875 (47.6)	1.875 (47.6)
22	23	1.188 (30.2)	1.172 (29.8)	2.000 (50.8)	2.000 (50.8)
24	25	1.250 (31.8)	1.221 (31.0)	2.125 (54.0)	2.125 (54.0)

**TABLE IV: CABLE ENTRY**

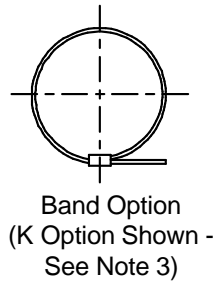
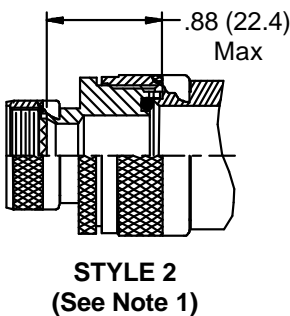
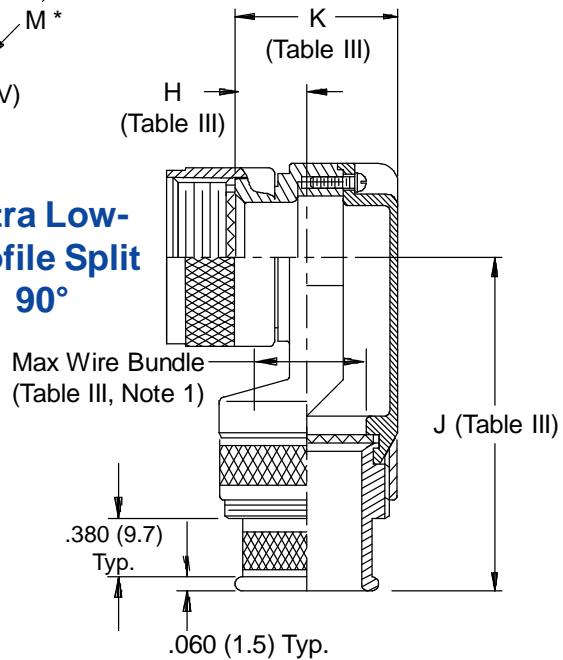
Dash No.	J Dia	K Dia
02	.125 (3.2)	.250 (6.4)
03	.188 (4.8)	.312 (7.9)
04	.250 (6.4)	.375 (9.5)
05	.312 (7.9)	.438 (11.1)
06	.375 (9.5)	.500 (12.7)
07	.438 (11.1)	.562 (14.3)
08	.500 (12.7)	.625 (15.9)
09	.562 (14.3)	.688 (17.5)
10	.625 (15.9)	.750 (19.1)
11	.688 (17.5)	.812 (20.6)
12	.750 (19.1)	.875 (22.2)
13	.812 (20.6)	.938 (23.8)
14	.875 (22.2)	1.000 (25.4)
15	.938 (23.8)	1.062 (27.0)
16	1.000 (25.4)	1.125 (28.6)
17	1.062 (27.0)	1.188 (30.2)
18	1.125 (28.6)	1.250 (31.8)
20	1.250 (31.8)	1.375 (34.9)
22	1.375 (34.9)	1.500 (38.1)
24	1.500 (38.1)	1.625 (41.3)

1. When maximum cable entry (page 21) is exceeded, Style 2 will be supplied. Dimensions E, F, G and H will not apply. Please consult factory.
2. Metric dimensions (mm) are indicated in parentheses.
3. Backshells supplied with 600-052-\* band, see Glenair Series 600 Tool Catalog for installation.

**CONNECTOR DESIGNATORS**  
**A-F-H-L-S**  
**ROTATABLE COUPLING**



**Ultra Low-Profile Split 90°**



See inside back cover fold-out or pages 13 and 14 for Tables I and II.

**TABLE III: ELBOW DIMENSIONS**

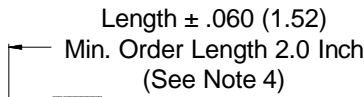
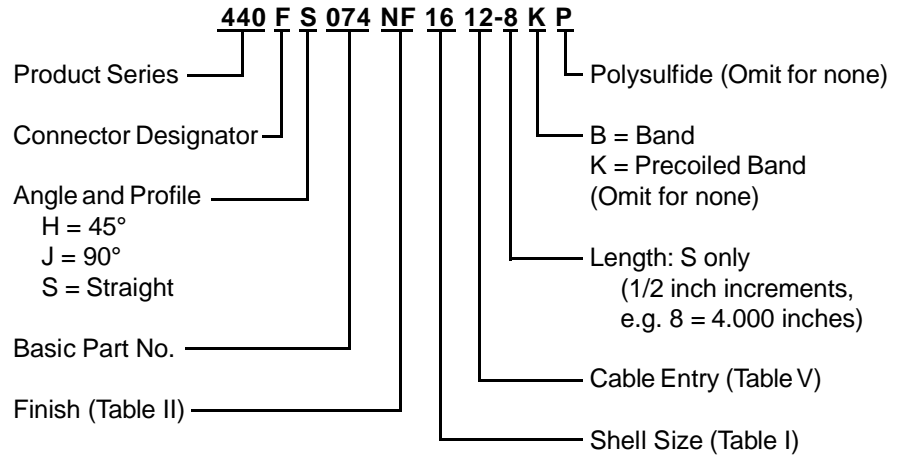
Shell Size	D Max	E Max	F Max	G Max	H Max	J Max	K Max	Function C Max Wire Bundle
08/09	.440 (11.2)	1.590 (40.4)	.680 (17.3)	1.530 (38.9)	.340 (8.6)	1.870 (47.5)	.681 (17.3)	.250 (6.4)
10/11	.500 (12.7)	1.650 (41.9)	.750 (19.1)	1.590 (40.4)	.270 (6.9)	2.030 (51.6)	.731 (18.6)	.375 (9.5)
12/13	.560 (14.2)	1.720 (43.7)	.810 (20.6)	1.660 (42.2)	.270 (6.9)	2.030 (51.6)	.731 (18.6)	.375 (9.5)
14/15	.620 (15.7)	1.750 (44.5)	.870 (22.1)	1.690 (42.9)	.280 (7.1)	2.100 (53.3)	.831 (21.1)	.500 (12.7)
16/17	.680 (17.3)	1.850 (47.0)	.930 (23.6)	1.790 (45.5)	.420 (10.7)	2.150 (54.6)	.981 (24.9)	.625 (15.9)
18/19	.750 (19.1)	1.910 (48.5)	1.000 (25.4)	1.850 (47.0)	.640 (16.3)	2.180 (55.4)	1.181 (30.0)	.625 (15.9)
20/21	.820 (20.8)	1.970 (50.0)	1.060 (26.9)	1.910 (48.5)	.640 (16.3)	2.180 (55.4)	1.181 (30.0)	.625 (15.9)
22/23	.880 (22.4)	2.030 (51.6)	1.120 (28.4)	1.970 (50.0)	.540 (13.7)	2.330 (59.2)	1.181 (30.0)	.750 (19.1)
24/25	.940 (23.9)	2.090 (53.1)	1.180 (30.0)	2.030 (51.6)	.540 (13.7)	2.330 (59.2)	1.181 (30.0)	.750 (19.1)

**TABLE IV: CABLE ENTRY**

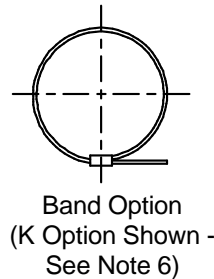
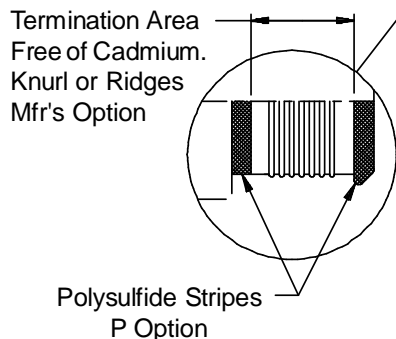
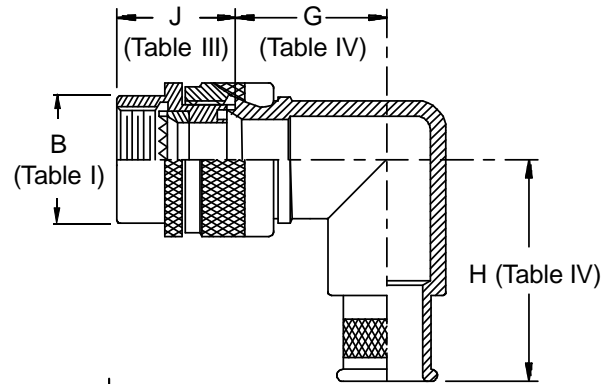
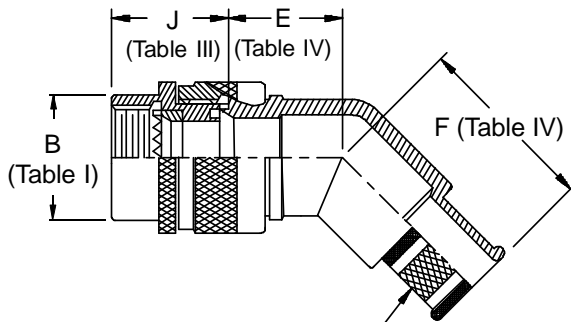
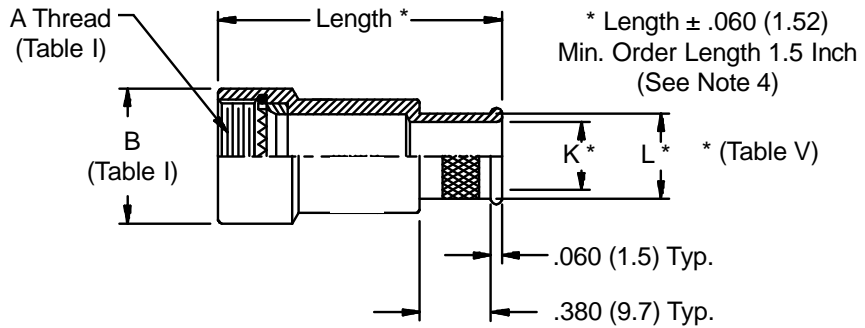
Dash No.	L Dia	M Dia
02	.125 (3.2)	.250 (6.4)
03	.188 (4.8)	.312 (7.9)
04	.250 (6.4)	.375 (9.5)
05	.312 (7.9)	.438 (11.1)
06	.375 (9.5)	.500 (12.7)
07	.438 (11.1)	.562 (14.3)
08	.500 (12.7)	.625 (15.9)
09	.562 (14.3)	.688 (17.5)
10	.625 (15.9)	.750 (19.1)
11	.688 (17.5)	.812 (20.6)
12	.750 (19.1)	.875 (22.2)
13	.812 (20.6)	.938 (23.8)
14	.875 (22.2)	1.000 (25.4)
15	.938 (23.8)	1.062 (27.0)
16	1.000 (25.4)	1.125 (28.6)
17	1.062 (27.0)	1.188 (30.2)
18	1.125 (28.6)	1.250 (31.8)
20	1.250 (31.8)	1.375 (34.9)
22	1.375 (34.9)	1.500 (38.1)
24	1.500 (38.1)	1.625 (41.3)

1. When maximum cable entry (page 21) is exceeded, Style 2 will be supplied (not available on Function C). Dimensions D, E, F and G will not apply. Please consult factory.
2. Metric dimensions (mm) are indicated in parentheses.
3. Backshells supplied with 600-052-\* band, see Glenair Series 600 Tool Catalog for installation.
4. Angular function "C", low-profile split elbow, not available with "S" connector designator.

**CONNECTOR DESIGNATORS**  
**A-B\*-C-D-E-F**  
**G-H-J-K-L-S**  
\* Conn. Desig. B See Note 5  
**DIRECT COUPLING**



**STYLE 2 (STRAIGHT)**  
See Note 1)



See inside back cover fold-out or pages 13 and 14 for Tables I and II.

TABLE III: FRONT ADAPTER			
Shell Size	J Max - Conn. Designator		
	A-E-F		
	J-H-L-S	D-B-G-K	C
08/09	1.180 (30.0)	1.250 (31.8)	
10/11	1.180 (30.0)	1.250 (31.8)	
12/13	1.180 (30.0)	1.250 (31.8)	1.735 (44.1)
14/15	1.180 (30.0)	1.250 (31.8)	1.915 (48.6)
16/17	1.380 (35.0)	1.560 (39.6)	1.915 (48.6)
18/19	1.380 (35.0)	1.560 (39.6)	1.915 (48.6)
20/21	1.380 (35.0)	1.560 (39.6)	1.915 (48.6)
22/23	1.380 (35.0)	1.560 (39.6)	1.915 (48.6)
24/25	1.380 (35.0)	1.560 (39.6)	1.915 (48.6)
28/29	1.610 (40.9)	1.560 (39.6)	1.915 (48.6)
32/33	1.610 (40.9)	1.750 (44.5)	1.915 (48.6)
36	1.610 (40.9)	1.750 (44.5)	1.915 (48.6)
40	1.610 (40.9)	2.190 (55.6)	1.915 (48.6)

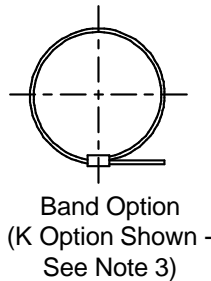
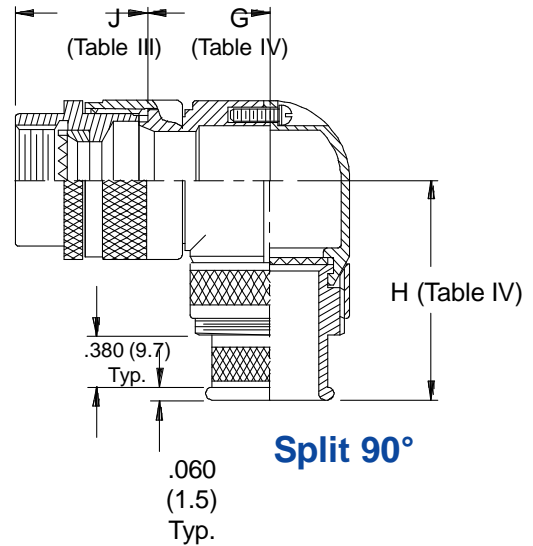
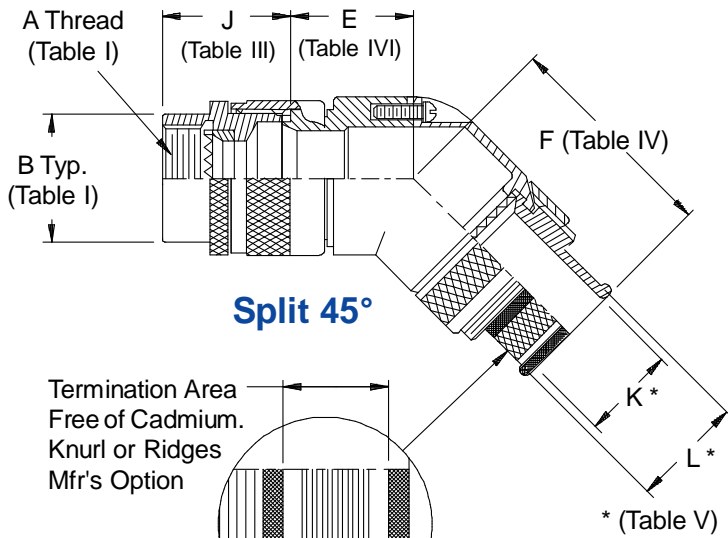
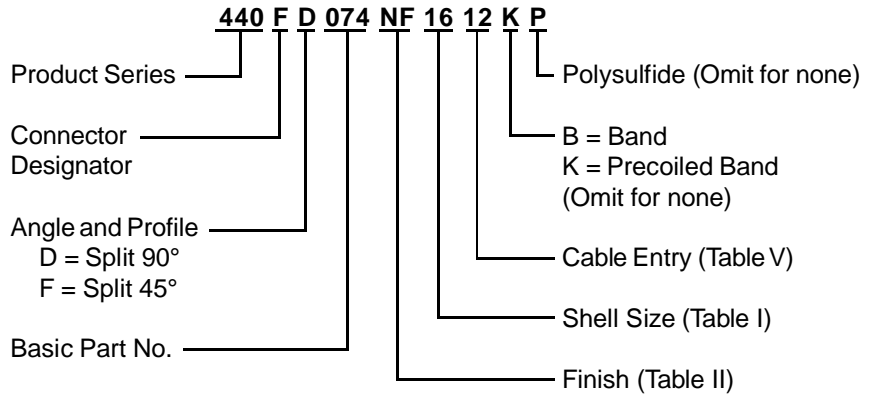
TABLE IV: ELBOW DIMENSIONS					
Elbow Size	E Max	F Max	G Max	H Max	
02	.639 (16.2)	.890 (22.6)	.750 (19.1)	1.000 (25.4)	
03	.664 (16.9)	.920 (23.4)	.810 (20.6)	1.060 (26.9)	
04	.688 (17.5)	.940 (23.9)	.870 (22.1)	1.120 (28.4)	
05	.688 (17.5)	.940 (23.9)	.870 (22.1)	1.120 (28.4)	
06	.688 (17.5)	.940 (23.9)	.870 (22.1)	1.120 (28.4)	
07	.705 (17.9)	.970 (24.6)	.920 (23.4)	1.190 (30.2)	
08	.732 (18.6)	.990 (25.1)	.980 (24.9)	1.250 (31.8)	
09	.732 (18.6)	.990 (25.1)	.980 (24.9)	1.250 (31.8)	
10	.748 (19.0)	1.000 (25.4)	1.020 (25.9)	1.270 (32.3)	
11	.773 (19.6)	1.020 (25.9)	1.080 (27.4)	1.330 (33.8)	
12	.773 (19.6)	1.020 (25.9)	1.080 (27.4)	1.330 (33.8)	
13	.800 (20.3)	1.060 (26.9)	1.140 (29.0)	1.410 (35.8)	
14	.800 (20.3)	1.060 (26.9)	1.140 (29.0)	1.410 (35.8)	
15	.823 (20.9)	1.090 (27.7)	1.200 (30.5)	1.480 (37.6)	
16	.823 (20.9)	1.090 (27.7)	1.200 (30.5)	1.480 (37.6)	

TABLE V: CABLE ENTRY				
Dash No.	K		L	
	Dia		Dia	
02	.125	(3.2)	.250	(6.4)
03	.188	(4.8)	.312	(7.9)
04	.250	(6.4)	.375	(9.5)
05	.312	(7.9)	.438	(11.1)
06	.375	(9.5)	.500	(12.7)
07	.438	(11.1)	.562	(14.3)
08	.500	(12.7)	.625	(15.9)
09	.562	(14.3)	.688	(17.5)
10	.625	(15.9)	.750	(19.1)
11	.688	(17.5)	.812	(20.6)
12	.750	(19.1)	.875	(22.2)
13	.812	(20.6)	.938	(23.8)
14	.875	(22.2)	1.000	(25.4)
15	.938	(23.8)	1.062	(27.0)
16	1.000	(25.4)	1.125	(28.6)
17	1.062	(27.0)	1.188	(30.2)
18	1.125	(28.6)	1.250	(31.8)
20	1.250	(31.8)	1.375	(34.9)
22	1.375	(34.9)	1.500	(38.1)
24	1.500	(38.1)	1.625	(41.3)

1. When maximum cable entry (page 22) is exceeded, Style 2 will be supplied. (Function S only).
2. Metric dimensions (mm) are indicated in parentheses.
3. Cable range is defined as the accommodations range for the wire bundle or cable. Dimensions shown are not intended for inspection criteria.
4. Consult factory for shorter lengths on straight backshells.
5. When using Connector Designator B refer to pages 18 and 19 for part number development.
6. Backshells supplied with 600-052-\* band, see Glenair Series 600 Tool Catalog for installation.



**CONNECTOR DESIGNATORS**  
**A-B\*-C-D-E-F**  
**G-H-J-K-L-S**  
\* Conn. Desig. B See Note 2  
**DIRECT COUPLING**



See inside back cover fold-out or pages 13 and 14 for Tables I and II.

**TABLE III: FRONT ADAPTER**

Shell Size	J Max - Conn. Designator		
	A-E-F		
	J-H-L-S	D-B-G-K	C
08/09	1.180 (30.0)	1.250 (31.8)	
10/11	1.180 (30.0)	1.250 (31.8)	
12/13	1.180 (30.0)	1.250 (31.8)	1.735 (44.1)
14/15	1.180 (30.0)	1.250 (31.8)	1.915 (48.6)
16/17	1.380 (35.0)	1.560 (39.6)	1.915 (48.6)
18/19	1.380 (35.0)	1.560 (39.6)	1.915 (48.6)
20/21	1.380 (35.0)	1.560 (39.6)	1.915 (48.6)
22/23	1.380 (35.0)	1.560 (39.6)	1.915 (48.6)
24/25	1.380 (35.0)	1.560 (39.6)	1.915 (48.6)
28/29	1.610 (40.9)	1.560 (39.6)	1.915 (48.6)
32/33	1.610 (40.9)	1.750 (44.5)	1.915 (48.6)
36	1.610 (40.9)	1.750 (44.5)	1.915 (48.6)
40	1.610 (40.9)	2.190 (55.6)	1.915 (48.6)

**TABLE IV: ELBOW DIMENSIONS**

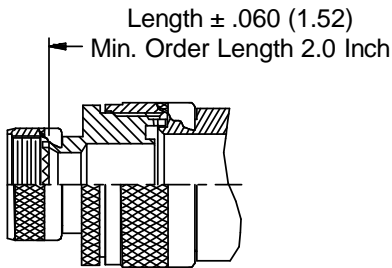
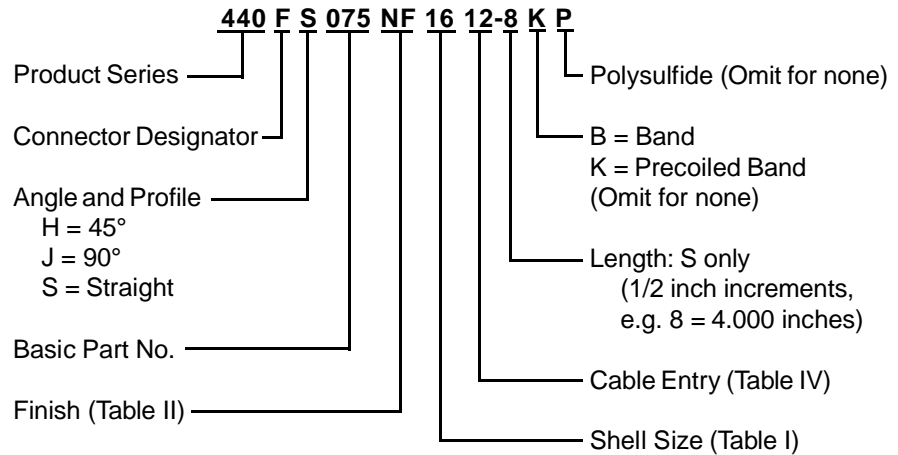
Elbow Size	E Max	F Max	G Max	H Max
02	.440 (11.2)	1.590 (40.4)	.680 (17.3)	1.530 (38.9)
03	.440 (11.2)	1.590 (40.4)	.680 (17.3)	1.530 (38.9)
04	.440 (11.2)	1.590 (40.4)	.680 (17.3)	1.530 (38.9)
05	.500 (12.7)	1.650 (41.9)	.750 (19.1)	1.590 (40.4)
06	.500 (12.7)	1.650 (41.9)	.750 (19.1)	1.590 (40.4)
07	.560 (14.2)	1.720 (43.7)	.810 (20.6)	1.660 (42.2)
08	.560 (14.2)	1.720 (43.7)	.810 (20.6)	1.660 (42.2)
09	.620 (15.7)	1.750 (44.5)	.870 (22.1)	1.690 (42.9)
10	.680 (17.3)	1.850 (47.0)	.930 (23.6)	1.790 (45.5)
11	.680 (17.3)	1.850 (47.0)	.930 (23.6)	1.790 (45.5)
12	.750 (19.1)	1.910 (48.5)	1.000 (25.4)	1.850 (47.0)
13	.820 (20.8)	1.970 (50.0)	1.060 (26.9)	1.910 (48.5)
14	.820 (20.8)	1.970 (50.0)	1.060 (26.9)	1.910 (48.5)
15	.880 (22.4)	2.030 (51.6)	1.120 (28.4)	1.970 (50.0)
16	.880 (22.4)	2.030 (51.6)	1.120 (28.4)	1.970 (50.0)

**TABLE V: CABLE ENTRY**

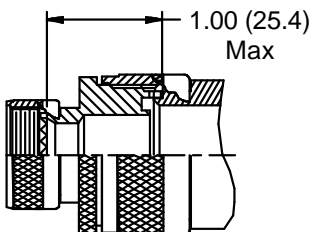
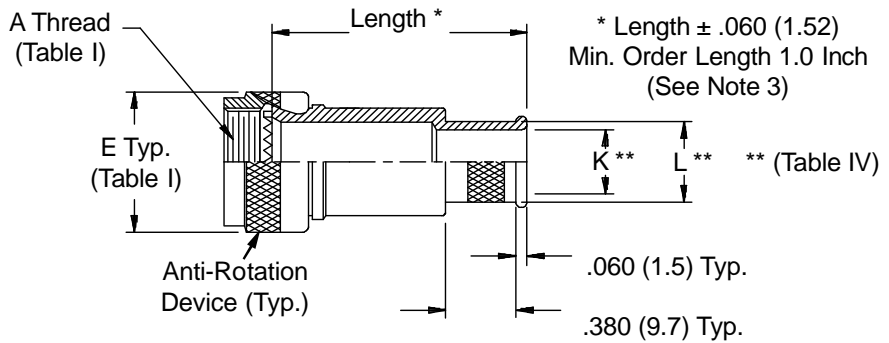
Dash No.	K Dia	L Dia
02	.125 (3.2)	.250 (6.4)
03	.188 (4.8)	.312 (7.9)
04	.250 (6.4)	.375 (9.5)
05	.312 (7.9)	.438 (11.1)
06	.375 (9.5)	.500 (12.7)
07	.438 (11.1)	.562 (14.3)
08	.500 (12.7)	.625 (15.9)
09	.562 (14.3)	.688 (17.5)
10	.625 (15.9)	.750 (19.1)
11	.688 (17.5)	.812 (20.6)
12	.750 (19.1)	.875 (22.2)
13	.812 (20.6)	.938 (23.8)
14	.875 (22.2)	1.000 (25.4)
15	.938 (23.8)	1.062 (27.0)
16	1.000 (25.4)	1.125 (28.6)
17	1.062 (27.0)	1.188 (30.2)
18	1.125 (28.6)	1.250 (31.8)
20	1.250 (31.8)	1.375 (34.9)
22	1.375 (34.9)	1.500 (38.1)
24	1.500 (38.1)	1.625 (41.3)

1. Metric dimensions (mm) are indicated in parentheses.
2. When using Connector Designator B refer to pages 18 and 19 for part number development.
3. Backshells supplied with 600-052-\* band, see Glenair Series 600 Tool Catalog for installation.

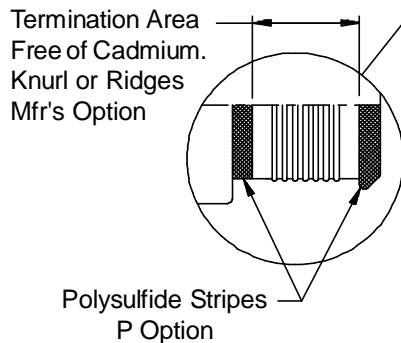
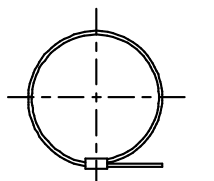
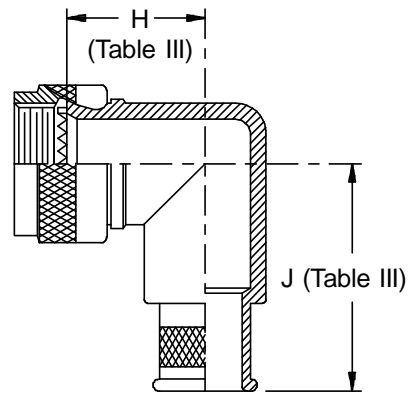
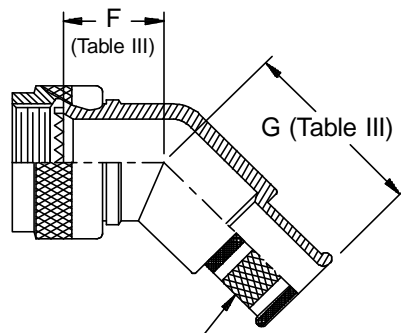
**CONNECTOR DESIGNATORS**  
**A-F-H-L-S**  
**SELF-LOCKING**  
**ROTATABLE**  
**COUPLING**



**STYLE 2**  
**(STRAIGHT)**  
 See Note 1)



**STYLE 2**  
**(45° & 90°)**  
 See Note 1)



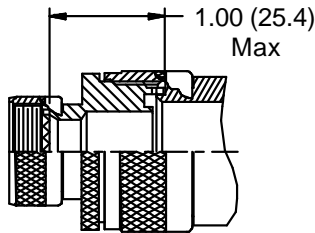
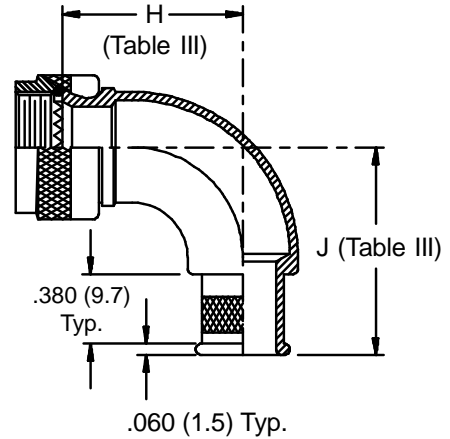
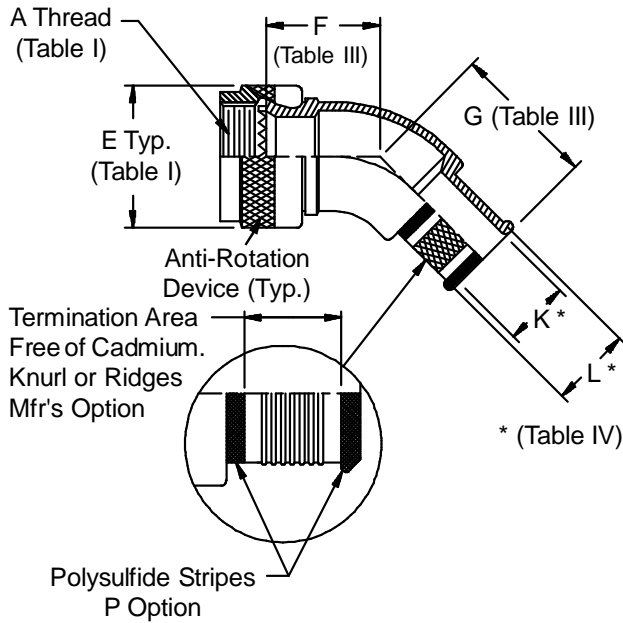
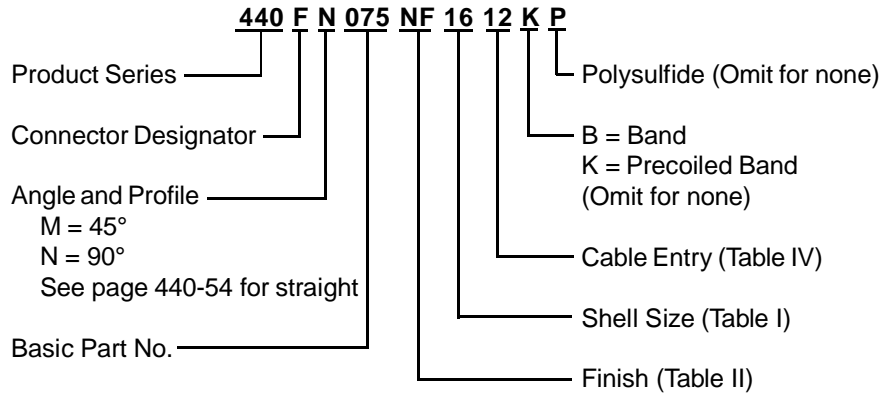
See inside back cover fold-out or pages 13 and 14 for Tables I and II.

TABLE III: ELBOW DIMENSIONS						
Shell Size		F Max	G Max	H Max	J Max	
Conn. Desig.	H					
A-F-L-S						
08	09	.795 (20.2)	.890 (22.6)	.906 (23.0)	1.000 (25.4)	
10	11	.820 (20.8)	.920 (23.4)	.966 (24.5)	1.060 (26.9)	
12	13	.844 (21.4)	.940 (23.9)	1.026 (26.1)	1.120 (28.4)	
14	15	.861 (21.9)	.970 (24.6)	1.076 (27.3)	1.190 (30.2)	
16	17	.888 (22.6)	.990 (25.1)	1.136 (28.9)	1.250 (31.8)	
18	19	.904 (23.0)	1.000 (25.4)	1.176 (29.9)	1.270 (32.3)	
20	21	.929 (23.6)	1.020 (25.9)	1.236 (31.4)	1.330 (33.8)	
22	23	.956 (24.3)	1.060 (26.9)	1.296 (32.9)	1.410 (35.8)	
24	25	.979 (24.9)	1.090 (27.7)	1.356 (34.4)	1.480 (37.6)	

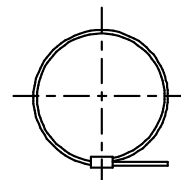
TABLE IV: CABLE ENTRY			
Dash No.	K Dia	L Dia	
02	.125 (3.2)	.250 (6.4)	
03	.188 (4.8)	.312 (7.9)	
04	.250 (6.4)	.375 (9.5)	
05	.312 (7.9)	.438 (11.1)	
06	.375 (9.5)	.500 (12.7)	
07	.438 (11.1)	.562 (14.3)	
08	.500 (12.7)	.625 (15.9)	
09	.562 (14.3)	.688 (17.5)	
10	.625 (15.9)	.750 (19.1)	
11	.688 (17.5)	.812 (20.6)	
12	.750 (19.1)	.875 (22.2)	
13	.812 (20.6)	.938 (23.8)	
14	.875 (22.2)	1.000 (25.4)	
15	.938 (23.8)	1.062 (27.0)	
16	1.000 (25.4)	1.125 (28.6)	
17	1.062 (27.0)	1.188 (30.2)	
18	1.125 (28.6)	1.250 (31.8)	
20	1.250 (31.8)	1.375 (34.9)	
22	1.375 (34.9)	1.500 (38.1)	
24	1.500 (38.1)	1.625 (41.3)	
26	1.625 (41.3)	1.750 (44.5)	
28	1.750 (44.5)	1.875 (47.6)	
30	1.875 (47.6)	2.000 (50.8)	
32	2.000 (50.8)	2.125 (54.0)	

1. When maximum cable entry (page 21) is exceeded, Style 2 will be supplied. Dimensions F, G, H and J will not apply. Please consult factory.
2. Metric dimensions (mm) are indicated in parentheses.
3. Consult factory for shorter lengths on straight backshells.
4. Backshells supplied with 600-052-\* band, see Glenair Series 600 Tool Catalog for installation.

**CONNECTOR  
DESIGNATORS  
A-F-H-L-S  
SELF-LOCKING  
ROTATABLE  
COUPLING**



**STYLE 2  
(See Note 1)**



Band Option  
(K Option Shown -  
See Note 3)

See inside back cover fold-out or pages 13 and 14 for Tables I and II.

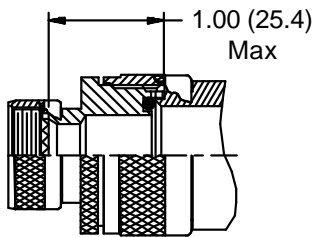
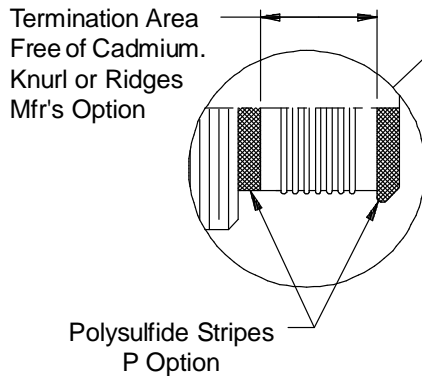
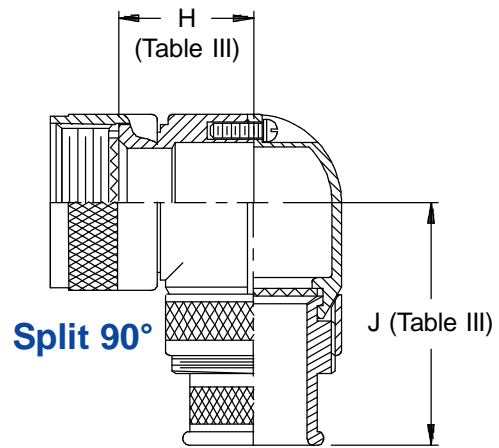
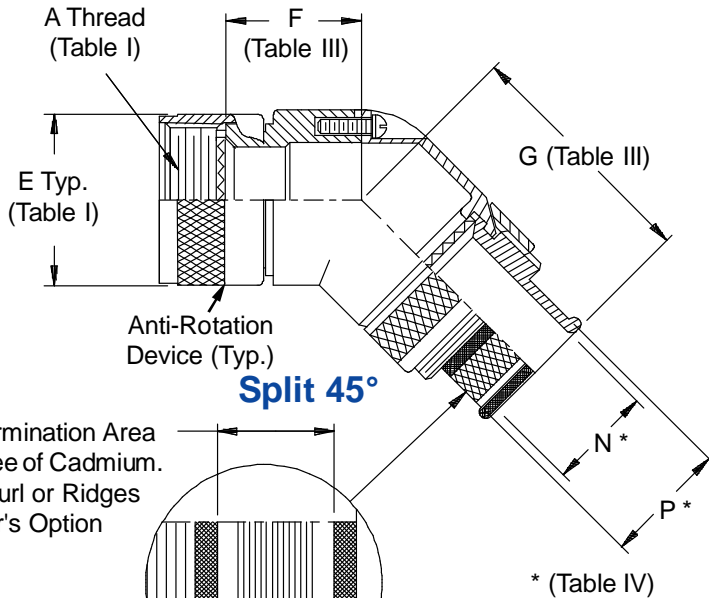
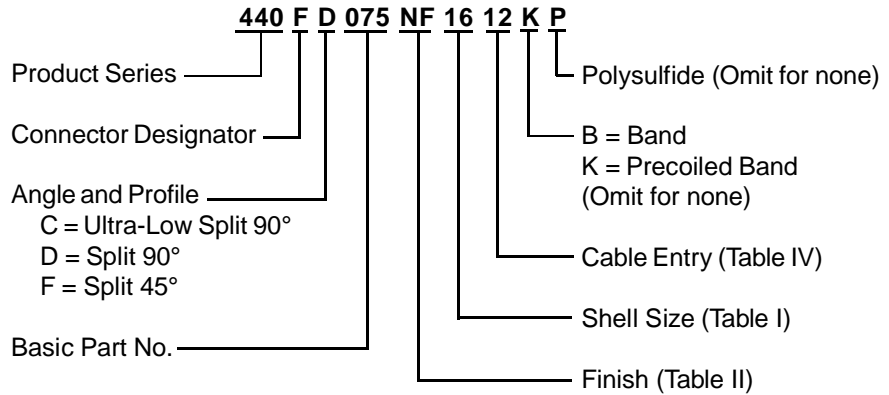
TABLE III: ELBOW DIMENSIONS									
Shell Size		F		G		H		J	
Conn. Desig.	H	Max		Max		Max		Max	
A-F-L-S									
08	09	.968	(24.6)	.807	(20.5)	1.281	(32.5)	1.125	(28.6)
10	11	1.031	(26.2)	.861	(21.9)	1.406	(35.7)	1.250	(31.8)
12	13	1.094	(27.8)	.911	(23.1)	1.531	(38.9)	1.375	(34.9)
14	15	1.156	(29.4)	.965	(24.5)	1.656	(42.1)	1.500	(38.1)
16	17	1.219	(31.0)	1.014	(25.8)	1.781	(45.2)	1.625	(41.3)
18	19	1.250	(31.8)	1.064	(27.0)	1.906	(48.4)	1.750	(44.5)
20	21	1.312	(33.3)	1.118	(28.4)	2.031	(51.6)	1.875	(47.6)
22	23	1.344	(34.1)	1.172	(29.8)	2.156	(54.8)	2.000	(50.8)
24	25	1.406	(35.7)	1.221	(31.0)	2.281	(57.9)	2.125	(54.0)

TABLE IV: CABLE ENTRY				
Dash No.	K Dia		L Dia	
02	.125	(3.2)	.250	(6.4)
03	.188	(4.8)	.312	(7.9)
04	.250	(6.4)	.375	(9.5)
05	.312	(7.9)	.438	(11.1)
06	.375	(9.5)	.500	(12.7)
07	.438	(11.1)	.562	(14.3)
08	.500	(12.7)	.625	(15.9)
09	.562	(14.3)	.688	(17.5)
10	.625	(15.9)	.750	(19.1)
11	.688	(17.5)	.812	(20.6)
12	.750	(19.1)	.875	(22.2)
13	.812	(20.6)	.938	(23.8)
14	.875	(22.2)	1.000	(25.4)
15	.938	(23.8)	1.062	(27.0)
16	1.000	(25.4)	1.125	(28.6)
17	1.062	(27.0)	1.188	(30.2)
18	1.125	(28.6)	1.250	(31.8)
20	1.250	(31.8)	1.375	(34.9)
22	1.375	(34.9)	1.500	(38.1)
24	1.500	(38.1)	1.625	(41.3)

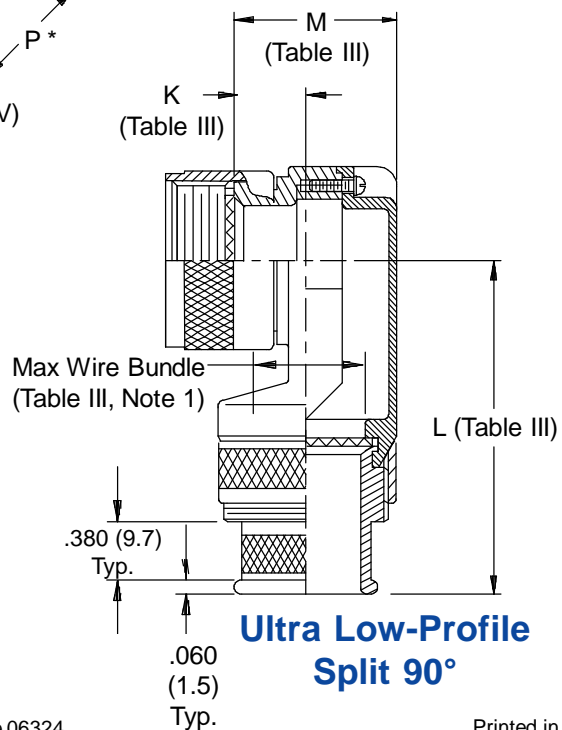
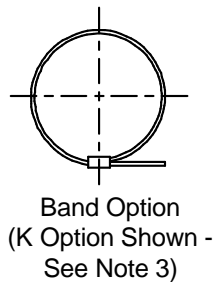
1. When maximum cable entry (page 21) is exceeded, Style 2 will be supplied. Dimensions F, G, H and J will not apply. Please consult factory.
2. Metric dimensions (mm) are indicated in parentheses.
3. Backshells supplied with 600-052-\* band, see Glenair Series 600 Tool Catalog for installation.



**CONNECTOR DESIGNATORS**  
**A-F-H-L-S**  
**SELF-LOCKING**  
**ROTATABLE**  
**COUPLING**



**STYLE 2**  
 (See Note 1)



See inside back cover fold-out or pages 13 and 14 for Tables I and II.

**TABLE III: ELBOW DIMENSIONS**

Shell Size	F Max	G Max	H Max	J Max	K Max	L Max	M Max	Max Wire Bundle
08/09	.596 (15.1)	1.590 (40.4)	.836 (21.2)	1.530 (38.9)	.496 (12.6)	1.870 (47.5)	.837 (21.3)	.250 (6.4)
10/11	.656 (16.7)	1.650 (41.9)	.906 (23.0)	1.590 (40.4)	.426 (10.8)	2.030 (51.6)	.887 (22.5)	.375 (9.5)
12/13	.716 (18.2)	1.720 (43.7)	.966 (24.5)	1.660 (42.2)	.426 (10.8)	2.030 (51.6)	.887 (22.5)	.375 (9.5)
14/15	.776 (19.7)	1.750 (44.5)	1.026 (26.1)	1.690 (42.9)	.436 (11.1)	2.100 (53.3)	.987 (25.1)	.500 (12.7)
16/17	.836 (21.2)	1.850 (47.0)	1.086 (27.6)	1.790 (45.5)	.576 (14.6)	2.150 (54.6)	1.137 (28.9)	.625 (15.9)
18/19	.906 (23.0)	1.910 (48.5)	1.156 (29.4)	1.850 (47.0)	.796 (20.2)	2.180 (55.4)	1.337 (34.0)	.625 (15.9)
20/21	.976 (24.8)	1.970 (50.0)	1.216 (30.9)	1.910 (48.5)	.796 (20.2)	2.180 (55.4)	1.337 (34.0)	.625 (15.9)
22/23	1.036 (26.3)	2.030 (51.6)	1.276 (32.4)	1.970 (50.0)	.696 (17.7)	2.330 (59.2)	1.337 (34.0)	.750 (19.1)
24/25	1.096 (27.8)	2.090 (53.1)	1.336 (33.9)	2.030 (51.6)	.696 (17.7)	2.330 (59.2)	1.337 (34.0)	.750 (19.1)

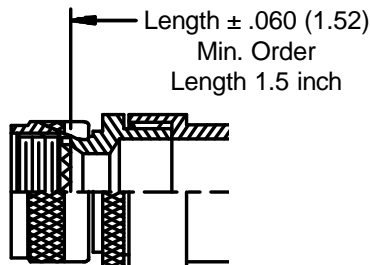
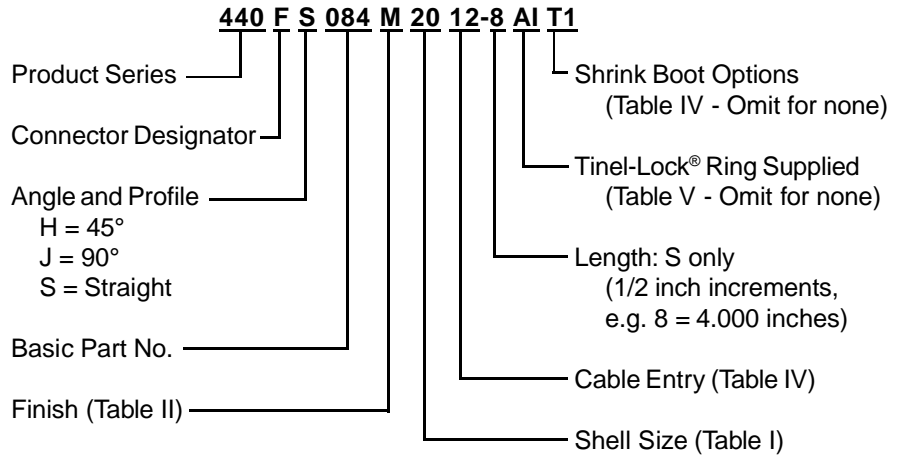
**TABLE IV: CABLE ENTRY**

Dash No.	N Dia	P Dia
02	.125 (3.2)	.250 (6.4)
03	.188 (4.8)	.312 (7.9)
04	.250 (6.4)	.375 (9.5)
05	.312 (7.9)	.438 (11.1)
06	.375 (9.5)	.500 (12.7)
07	.438 (11.1)	.562 (14.3)
08	.500 (12.7)	.625 (15.9)
09	.562 (14.3)	.688 (17.5)
10	.625 (15.9)	.750 (19.1)
11	.688 (17.5)	.812 (20.6)
12	.750 (19.1)	.875 (22.2)
13	.812 (20.6)	.938 (23.8)
14	.875 (22.2)	1.000 (25.4)
15	.938 (23.8)	1.062 (27.0)
16	1.000 (25.4)	1.125 (28.6)
17	1.062 (27.0)	1.188 (30.2)
18	1.125 (28.6)	1.250 (31.8)
20	1.250 (31.8)	1.375 (34.9)
22	1.375 (34.9)	1.500 (38.1)
24	1.500 (38.1)	1.625 (41.3)

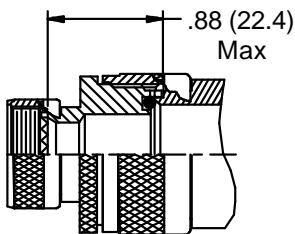
1. When maximum cable entry (page 21) is exceeded, Style 2 will be supplied (not available on Function C). Dimensions F, G, H and J will not apply. Please consult factory.
2. Metric dimensions (mm) are indicated in parentheses.
3. Backshells supplied with 600-052-\* band, see Glenair Series 600 Tool Catalog for installation.
4. Angular function "C", low-profile split elbow, not available with "S" connector designator.

**CONNECTOR  
 DESIGNATORS  
 A-F-H-L-S  
 ROTATABLE  
 COUPLING**

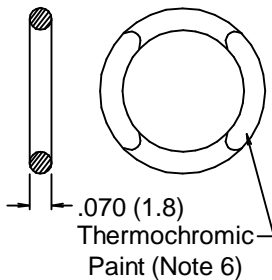
**FOR TINEL-LOCK®  
 RING TERMINATIONS**



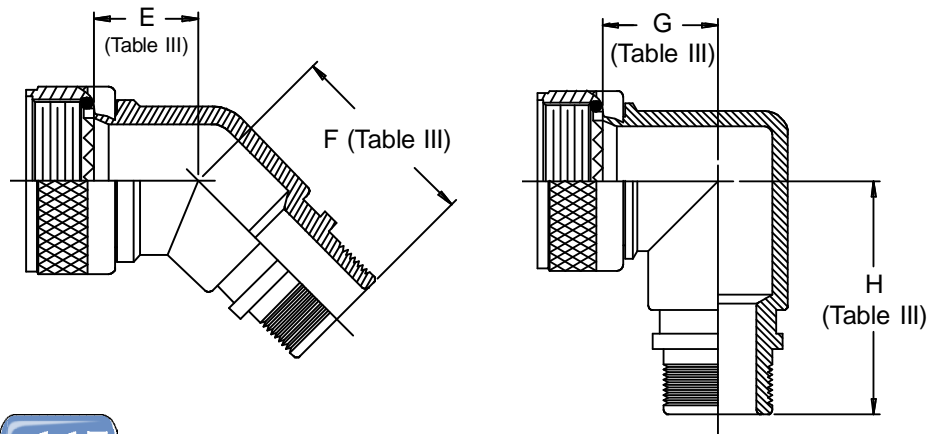
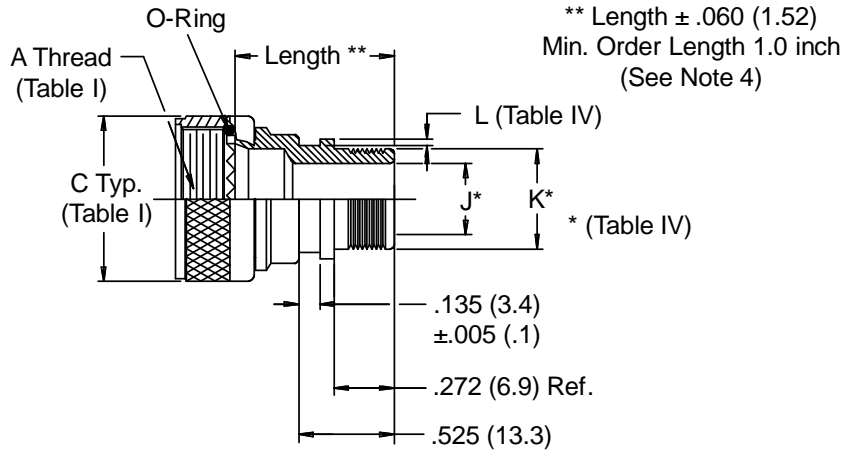
**STYLE 2  
 (STRAIGHT  
 See Note 1)**



**STYLE 2  
 (45° & 90°  
 See Note 1)**



**Tinel-Lock® Ring  
 Option (See Table V)**



**-445** Add "-445" to Specify Glenair's Non-Detent, ("NESTOR") Spring-Loaded, Self-Locking Coupling. See Page 41 for Details.

Tinel-Lock® is a registered trademark of Tyco

See inside back cover fold-out or pages 13 and 14 for Tables I and II.

TABLE III: ELBOW DIMENSIONS

Shell Size		E		F		G		H	
Conn. Desig.	H	Max		Max		Max		Max	
A-F-L-S									
03		.64	(16.3)	.89	(22.6)	.75	(19.1)	1.00	(25.4)
08	09	.64	(16.3)	.89	(22.6)	.75	(19.1)	1.00	(25.4)
10	11	.66	(16.8)	.92	(23.4)	.81	(20.6)	1.06	(26.9)
12	13	.69	(17.5)	.94	(23.9)	.87	(22.1)	1.12	(28.4)
14	15	.71	(18.0)	.97	(24.6)	.92	(23.4)	1.19	(30.2)
16	17	.73	(18.5)	.99	(25.1)	.98	(24.9)	1.25	(31.8)
18	19	.75	(19.1)	1.00	(25.4)	1.02	(25.9)	1.27	(32.3)
20	21	.77	(19.6)	1.02	(25.9)	1.08	(27.4)	1.33	(33.8)
22	23	.80	(20.3)	1.06	(26.9)	1.14	(29.0)	1.41	(35.8)
24	25	.82	(20.8)	1.09	(27.7)	1.20	(30.5)	1.48	(37.6)
28		1.04	(26.4)	1.26	(32.0)	1.48	(37.6)	1.72	(43.7)
32		1.09	(27.7)	1.30	(33.0)	1.61	(40.9)	1.81	(46.0)
36		1.14	(29.0)	1.35	(34.3)	1.72	(43.7)	1.92	(48.8)
40		1.18	(30.0)	1.39	(35.3)	1.83	(46.5)	2.03	(51.6)
44		1.24	(31.5)	1.44	(36.6)	1.95	(49.5)	2.16	(54.9)
48		1.29	(32.8)	1.49	(37.8)	2.08	(52.8)	2.28	(57.9)
61		1.00	(25.4)	1.21	(30.7)	1.39	(35.3)	1.57	(39.9)

TABLE IV: CABLE ENTRY

Dash No.	J I.D.	K Dia Max	L		Shrink Boot Option T1*	Shrink Boot Option T2*	Tinel-Lock® Ring Entry Size
			+.008	(.2)			
			-.000	(.0)			
04	.250 (6.4)	.375 (9.5)	.044	(1.1)	770-001S112W1	770-001S212W1	04
05	.312 (7.9)	.437 (11.1)	.044	(1.1)	770-001S103W1	770-001S203W1	05
06	.375 (9.5)	.500 (12.7)	.044	(1.1)	770-001S103W1	770-001S203W1	06
07	.437 (11.1)	.562 (14.3)	.044	(1.1)	770-001S103W1	770-001S203W1	07
08	.500 (12.7)	.625 (15.9)	.044	(1.1)	770-001S103W1	770-001S203W1	08
10	.625 (15.9)	.750 (19.1)	.044	(1.1)	770-001S104W1	770-001S204W1	10
12	.750 (19.1)	.875 (22.2)	.069	(1.8)	770-001S104W1	770-001S204W1	12
14	.875 (22.2)	1.000 (25.4)	.069	(1.8)	770-001S106W1	770-001S206W1	14
16	1.000 (25.4)	1.125 (28.6)	.069	(1.8)	770-001S106W1	770-001S206W1	16
18	1.125 (28.6)	1.250 (31.8)	.069	(1.8)	770-001S107W1	770-001S207W1	18
20	1.250 (31.8)	1.375 (34.9)	.069	(1.8)	770-001S107W1	770-001S207W1	20
22	1.375 (34.9)	1.500 (38.1)	.084	(2.1)	770-001S108W1	770-001S208W1	22

\* T1 Option: Glenair shrink boot supplied with W1 high temperature hot melt adhesive.  
\*\* T2 Option: **This is a halogen-free system.** Glenair shrink boot supplied with W1 high temperature hot melt adhesive.

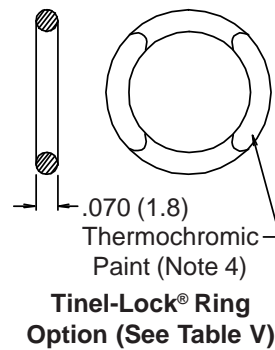
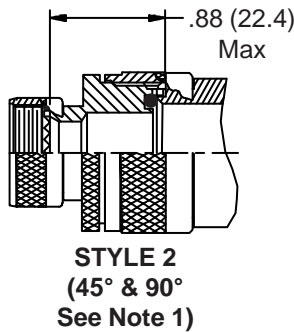
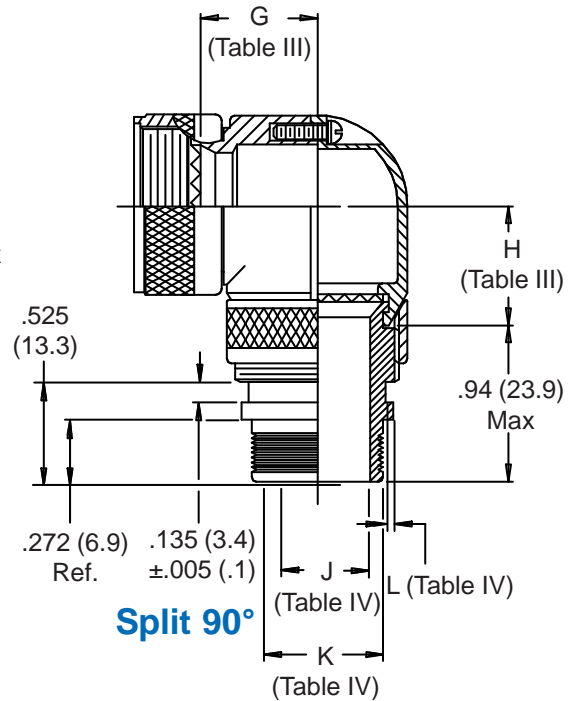
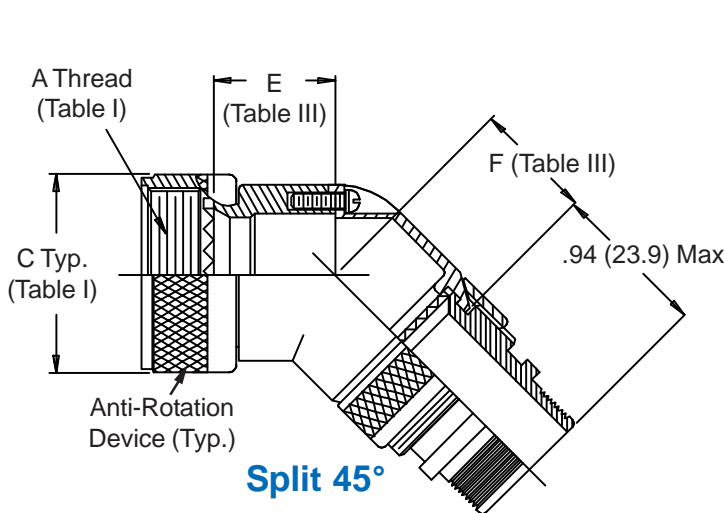
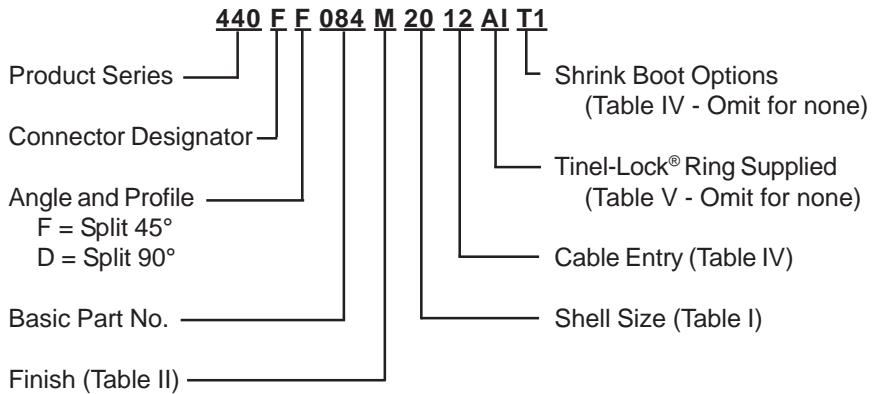
- When maximum cable entry (page 21) is exceeded, Style 2 will be supplied. Dimensions E, F, G, and H will not apply. Please consult factory.
- Interface O-Ring not supplied with Connector Designator A.
- Consult factory for shorter lengths on straight backshells.
- See pages 40 for Shrink Boot Reference Information.
- The Tinel-Lock® ring designator must be specified according to the type of cable braid used. Tinel-Lock® rings are marked with thermochromic paint which changes color when the correct installation temperature is reached. BI rings are identified with a red spot. CI rings are identified with a blue spot.

TABLE V: TINEL-LOCK® RING

Braid Type	Ring Designator
Single Layer 36 AWG	AI
Single Layer 34 AWG	AI
Single Layer 32 AWG	BI
Single Layer 30 AWG	BI
Double Layer 36 AWG	BI
Double Layer 34 AWG	BI
Double Layer 32 AWG	CI

**CONNECTOR  
DESIGNATORS  
A-F-H-L-S  
ROTATABLE  
COUPLING**

**FOR TINEL-LOCK®  
RING TERMINATIONS**



Tinel-Lock® is a registered trademark of Tyco

See inside back cover fold-out or pages 13 and 14 for Tables I and II.

TABLE III: ELBOW DIMENSIONS

Shell Size		E Max	F Max	G Max	H Max
Conn. Desig. A-F-L-S	H				
08	09	.664 (16.9)	.62 (15.7)	.684 (17.4)	.56 (14.2)
10	11	.664 (16.9)	.68 (17.3)	.754 (19.2)	.62 (15.7)
12	13	.724 (18.4)	.75 (19.1)	.814 (20.7)	.69 (17.5)
14	15	.784 (19.9)	.78 (19.8)	.874 (22.2)	.72 (18.3)
16	17	.844 (21.4)	.88 (22.4)	.934 (23.7)	.81 (20.6)
18	19	.914 (23.2)	.94 (23.9)	1.004 (25.5)	.87 (22.1)
20	21	.984 (25.0)	1.00 (25.4)	1.064 (27.0)	.94 (23.9)
22	23	1.044 (26.5)	1.06 (26.9)	1.124 (28.5)	1.00 (25.4)
24	25	1.104 (28.0)	1.12 (28.4)	1.184 (30.1)	1.06 (26.9)

TABLE IV: CABLE ENTRY

Dash No.	J I.D.	K Dia Max	L		Shrink Boot Option T1*	Shrink Boot Option T2*	Tinel-Lock® Ring Entry Size
			+ .008	(.2)			
04	.250 (6.4)	.375 (9.5)	.044	(1.1)	770-001S112W1	770-001S212W1	04
05	.312 (7.9)	.437 (11.1)	.044	(1.1)	770-001S103W1	770-001S203W1	05
06	.375 (9.5)	.500 (12.7)	.044	(1.1)	770-001S103W1	770-001S203W1	06
07	.437 (11.1)	.562 (14.3)	.044	(1.1)	770-001S103W1	770-001S203W1	07
08	.500 (12.7)	.625 (15.9)	.044	(1.1)	770-001S103W1	770-001S203W1	08
10	.625 (15.9)	.750 (19.1)	.044	(1.1)	770-001S104W1	770-001S204W1	10
12	.750 (19.1)	.875 (22.2)	.069	(1.8)	770-001S104W1	770-001S204W1	12
14	.875 (22.2)	1.000 (25.4)	.069	(1.8)	770-001S106W1	770-001S206W1	14
16	1.000 (25.4)	1.125 (28.6)	.069	(1.8)	770-001S106W1	770-001S206W1	16
18	1.125 (28.6)	1.250 (31.8)	.069	(1.8)	770-001S107W1	770-001S207W1	18
20	1.250 (31.8)	1.375 (34.9)	.069	(1.8)	770-001S107W1	770-001S207W1	20

\* T1 Option: Glenair shrink boot supplied with W1 high temperature hot melt adhesive.  
\*\* T2 Option: **This is a halogen-free system.** Glenair shrink boot supplied with W1 high temperature hot melt adhesive.

- When maximum cable entry (page 21) is exceeded, Style 2 will be supplied.  
Dimensions E, F, G, and H will not apply. Please consult factory.
- Metric dimensions (mm) are indicated in parentheses.
- See page 40 for Shrink Boot Reference Information.
- The Tinel-Lock® ring designator must be specified according to the type of cable braid used. Tinel-Lock® rings are marked with thermochromic paint which changes color when the correct installation temperature is reached.  
BI rings are identified with a red spot.

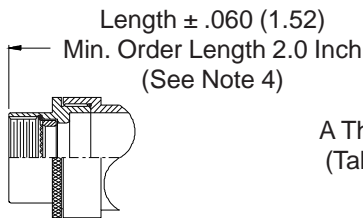
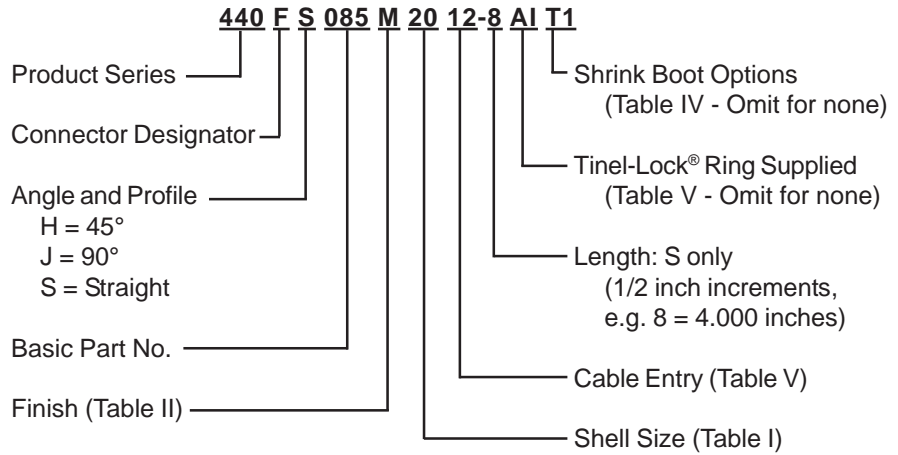
TABLE V: TINEL-LOCK® RING

Braid Type	Ring Designator
Single Layer 36 AWG	AI
Single Layer 34 AWG	AI
Single Layer 32 AWG	BI
Single Layer 30 AWG	BI
Double Layer 36 AWG	BI
Double Layer 34 AWG	BI
Double Layer 32 AWG	CI

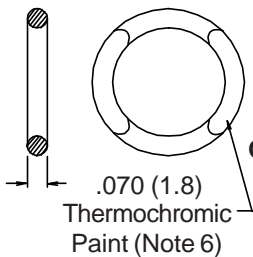
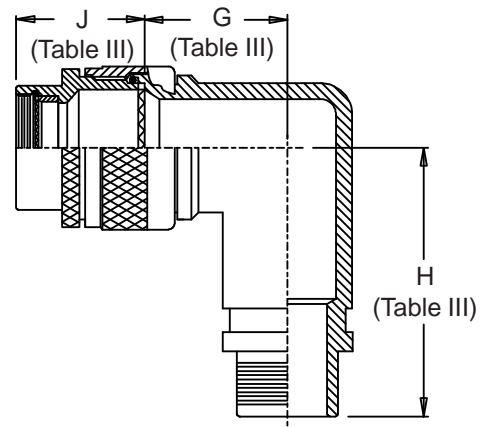
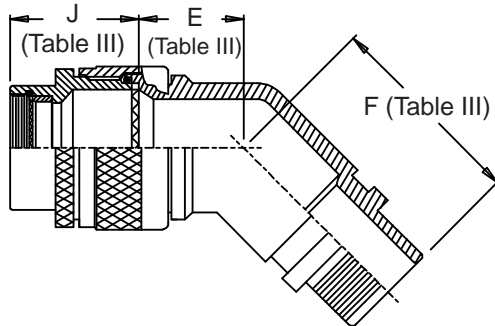
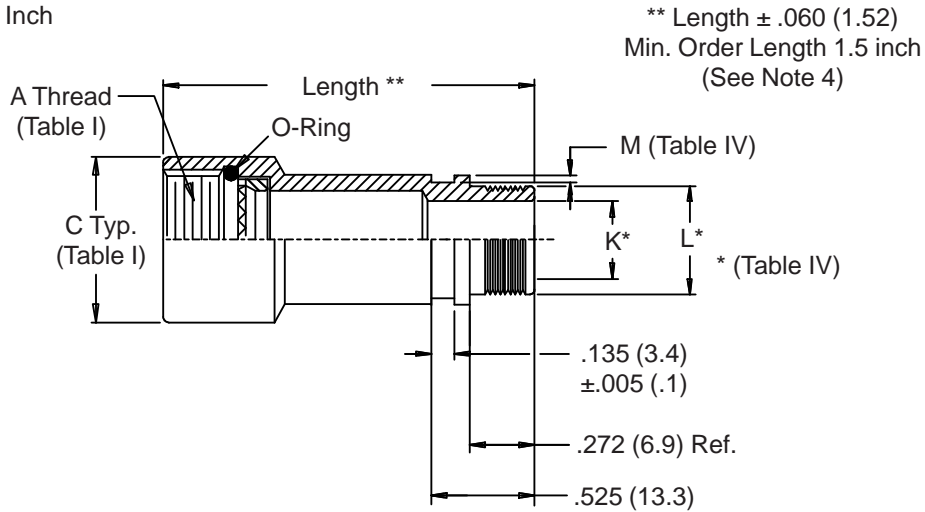


**CONNECTOR  
DESIGNATORS**  
**A-B\*-C-D-E-F  
G-H-J-K-L-S**  
\* Conn. Desig. B See Note 7  
**DIRECT COUPLING**

**FOR TINEL-LOCK®  
RING TERMINATIONS**



**STYLE 2  
(STRAIGHT  
See Note 1)**



Tinel-Lock® is a registered trademark of Tyco

See inside back cover fold-out or pages 13 and 14 for Tables I and II.

TABLE III: FRONT ADAPTER

Shell Size	J Max - Conn. Designator		
	A-E-F		C
	J-H-L-S	D-B-G-K	
08/09	1.180 (30.0)	1.250 (31.8)	
10/11	1.180 (30.0)	1.250 (31.8)	
12/13	1.180 (30.0)	1.250 (31.8)	1.735(44.1)
14/15	1.180 (30.0)	1.250 (31.8)	1.915(48.6)
16/17	1.380 (35.0)	1.560 (39.6)	1.915(48.6)
18/19	1.380 (35.0)	1.560 (39.6)	1.915(48.6)
20/21	1.380 (35.0)	1.560 (39.6)	1.915(48.6)
22/23	1.380 (35.0)	1.560 (39.6)	1.915(48.6)
24/25	1.380 (35.0)	1.560 (39.6)	1.915(48.6)
28/29	1.610 (40.9)	1.560 (39.6)	1.915(48.6)
32/33	1.610 (40.9)	1.750 (44.5)	1.915(48.6)
36	1.610 (40.9)	1.750 (44.5)	1.915(48.6)
40	1.610 (40.9)	2.190 (55.6)	1.915(48.6)

TABLE IV: ELBOW DIMENSIONS

Dash No.(s)	E Max	F Max	G Max	H Max
04	.64 (16.3)	.89 (22.6)	.75 (19.1)	1.00 (25.4)
05	.66 (16.8)	.92 (23.4)	.81 (20.6)	1.06 (26.9)
06	.66 (16.8)	.92 (23.4)	.81 (20.6)	1.06 (26.9)
07	.69 (17.5)	.94 (23.9)	.87 (22.1)	1.12 (28.4)
08	.69 (17.5)	.94 (23.9)	.87 (22.1)	1.12 (28.4)
10	.73 (18.5)	.99 (25.1)	.98 (24.9)	1.25 (31.8)
12	.75 (19.1)	1.00 (25.4)	1.02 (25.9)	1.27 (32.3)
14	.77 (19.6)	1.02 (25.9)	1.08 (27.4)	1.33 (33.8)
16	.80 (20.3)	1.06 (26.9)	1.14 (29.0)	1.41 (35.8)
18	.82 (20.8)	1.09 (27.7)	1.20 (30.5)	1.48 (37.6)
20	1.04 (26.4)	1.26 (32.0)	1.48 (37.6)	1.72 (43.7)

TABLE V: CABLE ENTRY

Dash No.	K I.D.	L Dia Max	M		Shrink Boot Option T1*	Shrink Boot Option T2*	Tinel-Lock® Ring Entry Size
			+ .008	(.2)			
04	.250 (6.4)	.375 (9.5)	.044	(1.1)	770-001S112W1	770-001S212W1	04
05	.312 (7.9)	.437 (11.1)	.044	(1.1)	770-001S103W1	770-001S203W1	05
06	.375 (9.5)	.500 (12.7)	.044	(1.1)	770-001S103W1	770-001S203W1	06
07	.437 (11.1)	.562 (14.3)	.044	(1.1)	770-001S103W1	770-001S203W1	07
08	.500 (12.7)	.625 (15.9)	.044	(1.1)	770-001S103W1	770-001S203W1	08
10	.625 (15.9)	.750 (19.1)	.044	(1.1)	770-001S104W1	770-001S204W1	10
12	.750 (19.1)	.875 (22.2)	.069	(1.8)	770-001S104W1	770-001S204W1	12
14	.875 (22.2)	1.000 (25.4)	.069	(1.8)	770-001S106W1	770-001S206W1	14
16	1.000 (25.4)	1.125 (28.6)	.069	(1.8)	770-001S106W1	770-001S206W1	16
18	1.125 (28.6)	1.250 (31.8)	.069	(1.8)	770-001S107W1	770-001S207W1	18
20	1.250 (31.8)	1.375 (34.9)	.069	(1.8)	770-001S107W1	770-001S207W1	20

\* T1 Option: Glenair shrink boot supplied with W1 high temperature hot melt adhesive.  
\*\* T2 Option: **This is a halogen-free system.** Glenair shrink boot supplied with W1 high temperature hot melt adhesive.

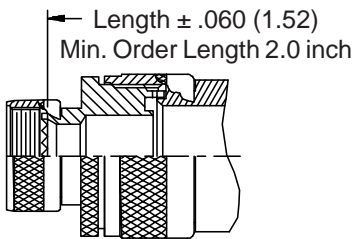
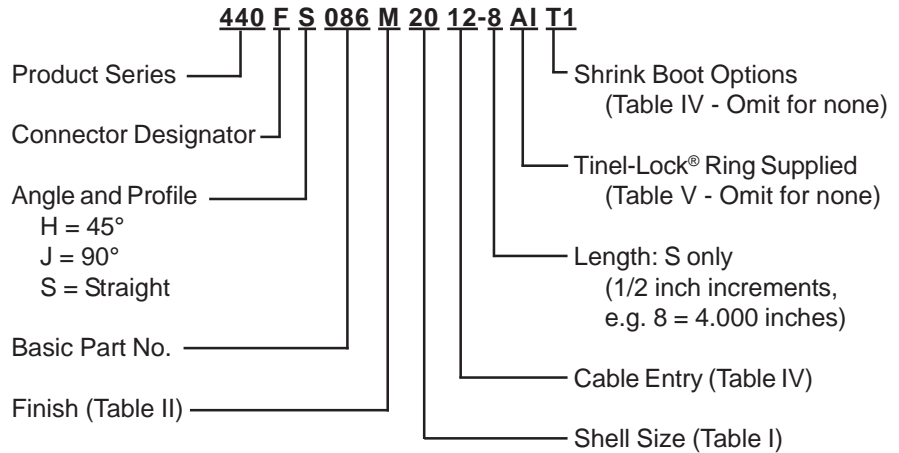
- When maximum cable entry (page 22) is exceeded, Style 2 will be supplied. (Function S only).
- Metric dimensions (mm) are indicated in parentheses.
- Interface O-Ring not supplied with Connector Designator A.
- Consult factory for shorter lengths on straight backshells.
- See page 40 for Shrink Boot Reference Information.
- The Tinel-Lock® ring designator must be specified according to the type of cable braid used. Tinel-Lock® rings are marked with thermochromic paint which changes color when the correct installation temperature is reached. BI rings are identified with a red spot. CI rings are identified with a blue spot.
- When using Connector Designator B refer to pages 18 and 19 for part number development.

TABLE V: TINEL-LOCK® RING

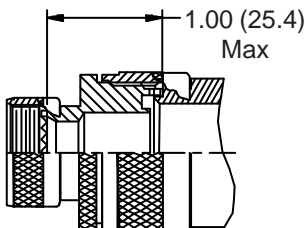
Braid Type	Ring Designator
Single Layer 36 AWG	AI
Single Layer 34 AWG	AI
Single Layer 32 AWG	BI
Single Layer 30 AWG	BI
Double Layer 36 AWG	BI
Double Layer 34 AWG	BI
Double Layer 32 AWG	CI

**CONNECTOR  
 DESIGNATORS  
 A-F-H-L-S  
 SELF-LOCKING  
 ROTATABLE  
 COUPLING**

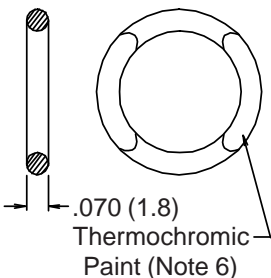
**FOR TINEL-LOCK®  
 RING TERMINATIONS**



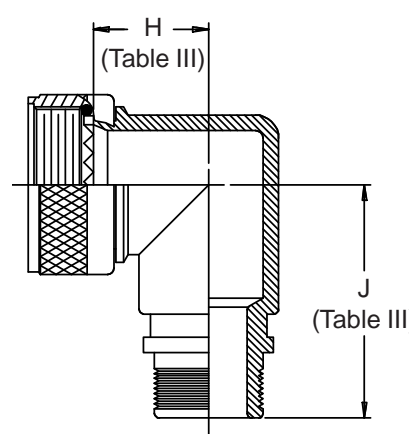
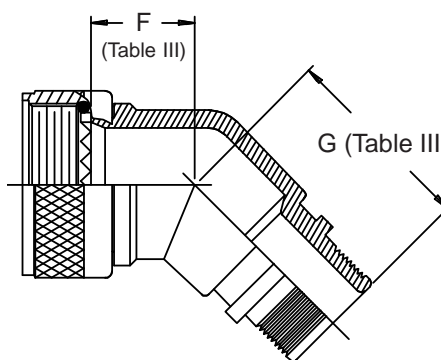
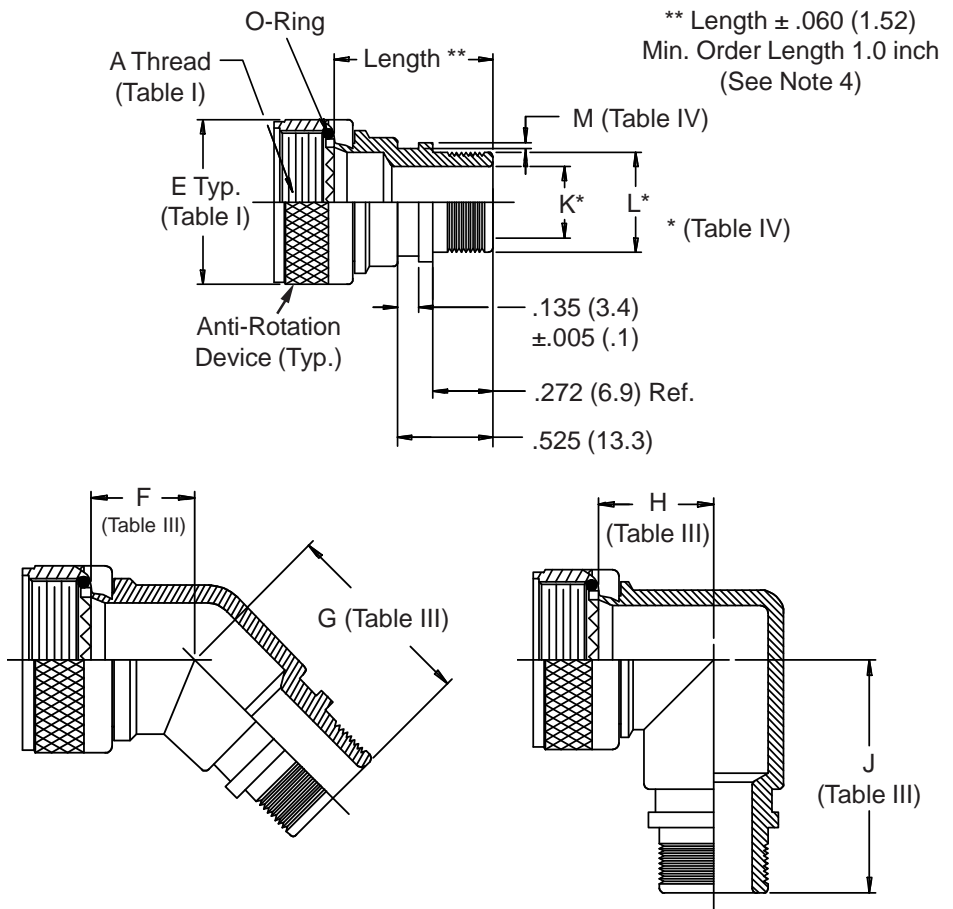
**STYLE 2  
 (STRAIGHT  
 See Note 1)**



**STYLE 2  
 (45° & 90°  
 See Note 1)**



**Tinel-Lock® Ring  
 Option (See Table V)**



Note: The Tinel-Lock® ring designator must be specified according to the type of cable braid used. Tinel-Lock® rings are marked with thermochromic paint which changes color when the correct installation temperature is reached. BI rings are identified with a red spot. CI rings are identified with a blue spot.

Tinel-Lock® is a registered trademark of Tyco

440-086  
EMI/RFI Tinel-Lock® Ring Adapter  
Self-Locking Rotatable Coupling - Standard Profile



See inside back cover fold-out or pages 13 and 14 for Tables I and II.

TABLE III: ELBOW DIMENSIONS

Shell Size Conn. Desig.		F	G	H	J
A-F-L-S	H	Max	Max	Max	Max
03		.796 (20.2)	.89 (22.6)	.906 (23.0)	1.00 (25.4)
08	09	.796 (20.2)	.89 (22.6)	.906 (23.0)	1.00 (25.4)
10	11	.816 (20.7)	.92 (23.4)	.966 (24.5)	1.06 (26.9)
12	13	.846 (21.5)	.94 (23.9)	1.026 (26.1)	1.12 (28.4)
14	15	.866 (22.0)	.97 (24.6)	1.076 (27.3)	1.19 (30.2)
16	17	.886 (22.5)	.99 (25.1)	1.136 (28.9)	1.25 (31.8)
18	19	.906 (23.0)	1.00 (25.4)	1.176 (29.9)	1.27 (32.3)
20	21	.926 (23.5)	1.02 (25.9)	1.236 (31.4)	1.33 (33.8)
22	23	.956 (24.3)	1.06 (26.9)	1.296 (32.9)	1.41 (35.8)
24	25	.976 (24.8)	1.09 (27.7)	1.356 (34.4)	1.48 (37.6)
28		1.196 (30.4)	1.26 (32.0)	1.636 (41.6)	1.72 (43.7)
32		1.246 (31.6)	1.30 (33.0)	1.766 (44.9)	1.81 (46.0)
36		1.296 (32.9)	1.35 (34.3)	1.876 (47.7)	1.92 (48.8)
40		1.336 (33.9)	1.39 (35.3)	1.986 (50.4)	2.03 (51.6)
44		1.396 (35.5)	1.44 (36.6)	2.106 (53.5)	2.16 (54.9)
48		1.446 (36.7)	1.49 (37.8)	2.236 (56.8)	2.28 (57.9)
61		1.156 (29.4)	1.21 (30.7)	1.546 (39.3)	1.57 (39.9)

TABLE IV: CABLE ENTRY

Dash No.	K I.D.	L Dia Max	M		Shrink Boot Option T1*	Shrink Boot Option T2**	Tinel-Lock® Ring Entry Size
			+ .008	(.2)			
04	.250 (6.4)	.375 (9.5)	.044	(1.1)	770-001S103W1	770-001S203W1	04
05	.312 (7.9)	.437 (11.1)	.044	(1.1)	770-001S104W1	770-001S204W1	05
06	.375 (9.5)	.500 (12.7)	.044	(1.1)	770-001S104W1	770-001S204W1	06
07	.437 (11.1)	.562 (14.3)	.044	(1.1)	770-001S105W1	770-001S205W1	07
08	.500 (12.7)	.625 (15.9)	.044	(1.1)	770-001S105W1	770-001S205W1	08
10	.625 (15.9)	.750 (19.1)	.044	(1.1)	770-001S106W1	770-001S206W1	10
12	.750 (19.1)	.875 (22.2)	.044	(1.1)	770-001S107W1	770-001S206W1	12
14	.875 (22.2)	1.000 (25.4)	.069	(1.8)	770-001S107W1	770-001S207W1	14
16	1.000 (25.4)	1.125 (28.6)	.069	(1.8)	770-001S107W1	770-001S207W1	16
18	1.125 (28.6)	1.250 (31.8)	.069	(1.8)	770-001S108W1	770-001S208W1	18
20	1.250 (31.8)	1.375 (34.9)	.069	(1.8)	770-001S108W1	770-001S208W1	20

\*T1 Option: Glenair shrink boot supplied with W1 high temperature hot melt adhesive.  
\*\*T2 Option: **This is a halogen-free system.** Glenair shrink boot supplied with W1 high temperature hot melt adhesive.

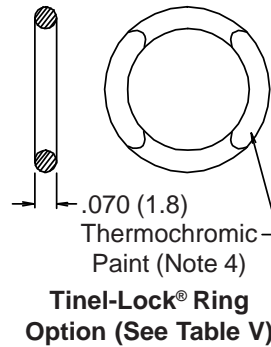
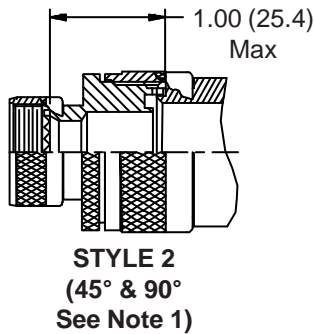
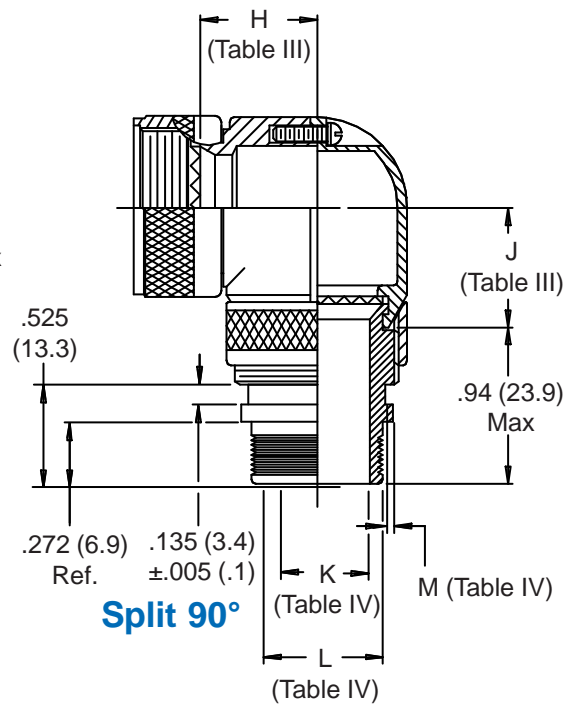
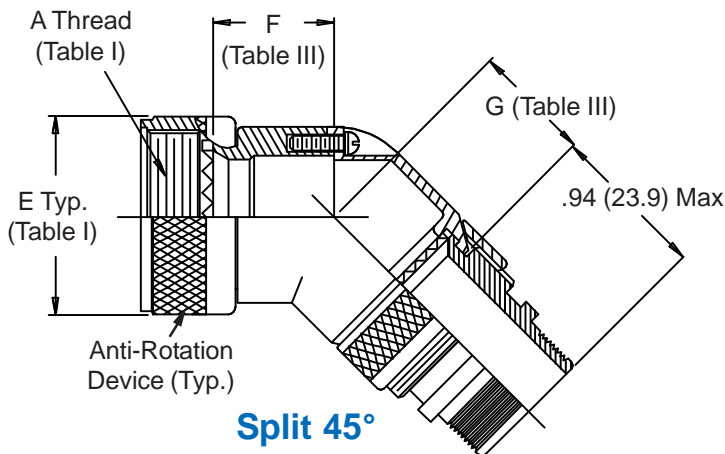
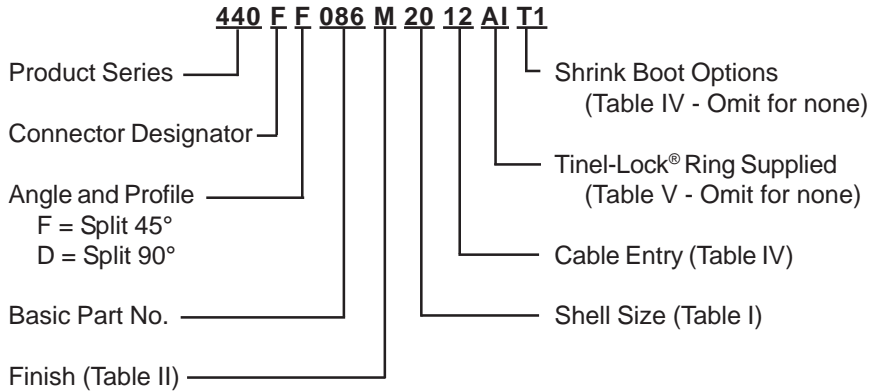
- When maximum cable entry (page 21) is exceeded, Style 2 will be supplied.  
Dimensions E, F, G, and H will not apply. Please consult factory.
- Metric dimensions (mm) are indicated in parentheses.
- Interface O-Ring not supplied with Connector Designator A.
- Consult factory for shorter lengths on straight backshells.
- See pages 40 for Shrink Boot Reference Information.

TABLE V: TINEL-LOCK® RING

Braid Type	Ring Designator
Single Layer 36 AWG	AI
Single Layer 34 AWG	AI
Single Layer 32 AWG	BI
Single Layer 30 AWG	BI
Double Layer 36 AWG	BI
Double Layer 34 AWG	BI
Double Layer 32 AWG	CI

**CONNECTOR  
 DESIGNATORS  
 A-F-H-L-S  
 SELF-LOCKING  
 ROTATABLE  
 COUPLING**

**FOR TINEL-LOCK®  
 RING TERMINATIONS**



Tinel-Lock® is a registered trademark of Tyco

See inside back cover fold-out or pages 13 and 14 for Tables I and II.

**TABLE III: ELBOW DIMENSIONS**

Shell Size Conn. Desig.		F		G		H		J	
A-F-L-S	H	Max		Max		Max		Max	
08	09	.82	(20.8)	.62	(15.7)	.84	(21.3)	.56	(14.2)
10	11	.82	(20.8)	.68	(17.3)	.91	(23.1)	.62	(15.7)
12	13	.88	(22.4)	.75	(19.1)	.97	(24.6)	.69	(17.5)
14	15	.94	(23.9)	.78	(19.8)	1.03	(26.2)	.72	(18.3)
16	17	1.00	(25.4)	.88	(22.4)	1.09	(27.7)	.81	(20.6)
18	19	1.07	(27.2)	.94	(23.9)	1.16	(29.5)	.87	(22.1)
20	21	1.14	(29.0)	1.00	(25.4)	1.22	(31.0)	.94	(23.9)
22	23	1.20	(30.5)	1.06	(26.9)	1.28	(32.5)	1.00	(25.4)
24	25	1.26	(32.0)	1.12	(28.4)	1.34	(34.0)	1.06	(26.9)

**TABLE IV: CABLE ENTRY**

Dash No.	K I.D.	L Dia Max	M		Shrink Boot Option T1*	Shrink Boot Option T2**	Tinel-Lock® Ring Entry Size
			+ .008	(.2)			
04	.250 (6.4)	.375 (9.5)	.044	(1.1)	770-001S103W1	770-001S203W1	04
05	.312 (7.9)	.437 (11.1)	.044	(1.1)	770-001S104W1	770-001S204W1	05
06	.375 (9.5)	.500 (12.7)	.044	(1.1)	770-001S104W1	770-001S204W1	06
07	.437 (11.1)	.562 (14.3)	.044	(1.1)	770-001S105W1	770-001S205W1	07
08	.500 (12.7)	.625 (15.9)	.044	(1.1)	770-001S105W1	770-001S205W1	08
10	.625 (15.9)	.750 (19.1)	.044	(1.1)	770-001S106W1	770-001S206W1	10
12	.750 (19.1)	.875 (22.2)	.044	(1.1)	770-001S107W1	770-001S206W1	12
14	.875 (22.2)	1.000 (25.4)	.069	(1.8)	770-001S107W1	770-001S207W1	14
16	1.000 (25.4)	1.125 (28.6)	.069	(1.8)	770-001S107W1	770-001S207W1	16
18	1.125 (28.6)	1.250 (31.8)	.069	(1.8)	770-001S108W1	770-001S208W1	18
20	1.250 (31.8)	1.375 (34.9)	.069	(1.8)	770-001S108W1	770-001S208W1	20

\*T1 Option: Glennair shrink boot supplied with W1 high temperature hot melt adhesive.  
\*\*T2 Option: **This is a halogen-free system.** Glennair shrink boot supplied with W1 high temperature hot melt adhesive.

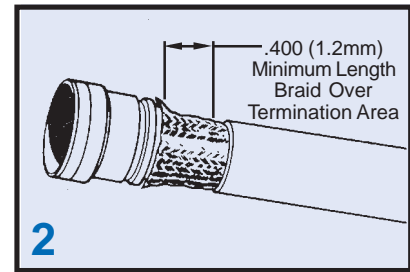
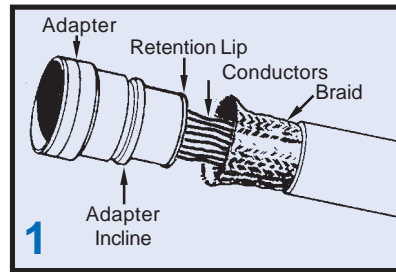
- When maximum cable entry (page 21) is exceeded, Style 2 will be supplied.  
Dimensions E, F, G, and H will not apply. Please consult factory.
- Metric dimensions (mm) are indicated in parentheses.
- See pages 40 and 41 for Shrink Boot Reference Information.
- The Tinel-Lock® ring designator must be specified according to the type of cable braid used. Tinel-Lock® rings are marked with thermochromic paint which changes color when the correct installation temperature is reached.  
BI rings are identified with a red spot.

**TABLE V: TINEL-LOCK® RING**

Braid Type	Ring Designator
Single Layer 36 AWG	AI
Single Layer 34 AWG	AI
Single Layer 32 AWG	BI
Single Layer 30 AWG	BI
Double Layer 36 AWG	BI
Double Layer 34 AWG	BI
Double Layer 32 AWG	CI



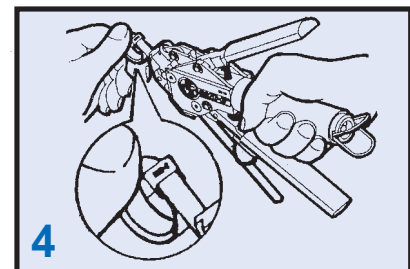
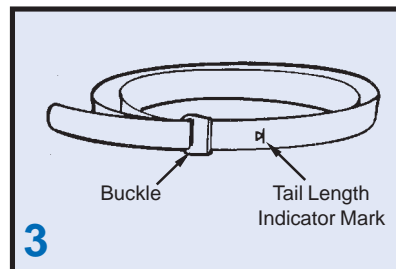
1. Prepare Cable Braid for termination process (Figure 1).
2. Push Braid forward over Adapter Retention Lip to the Adapter Incline Point (or .4" [10.2mm] minimum braid length). Milk Braid as required to remove slack and insure a snug fit around the shield termination area (Figure 2).



3. Prepare the Band in the following manner:

**IMPORTANT:** Due to Connector/ Adapter circumference, it may be necessary to prepare the Band around the Cable or Retention Area.

- A. Roll Band through the Buckle Slot twice. (Bands must be double-coiled.)
- B. Pull on Band until Mark (▶) is within approximately .250 inch (6.4mm) of Buckle Slot (Figure 3). The Band may be tightened further if desired.



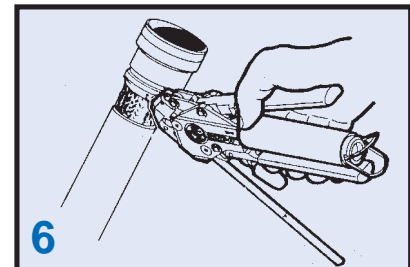
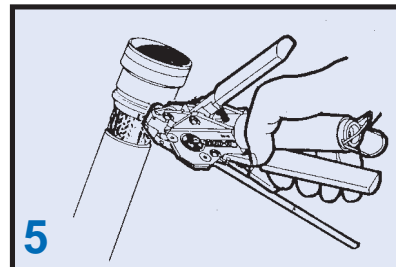
**NOTE:** Prepared Band should have (▶) Mark visible approximately where shown in Figure 3.

### SHIELD TERMINATION CLAMPING

**PROCESS:** (Figures 4 thru 8):

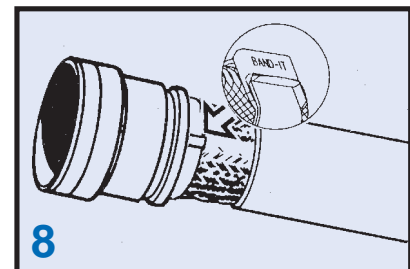
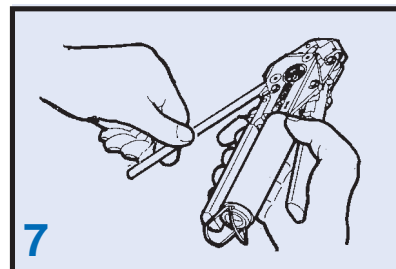
**NOTE:** To free Tool Handles, move Holding Clips to center of Tool.

4. Squeeze Gripper Release Lever and insert Band into the front end opening of the Tool. (NOTE: Circular portion of looped band must always face downward.)
5. Aligning the Band and Tool with the Shield Termination Area, squeeze Black Pull-Up Handle repeatedly using short strokes until it locks against Tool Body. (This indicates the Band is compressed to the Tool Precalibrated Tension.)



**NOTE:** If alignment of band and shield is unsatisfactory, tension on band can be relaxed by pushing on slotted release lever on top of tool. Make adjustments as necessary and again squeeze black pull-up handle..

6. Complete the Clamping Process by squeezing the Gray Cut-Off Handle.
7. Remove excess Band from Tool.
8. Inspect Shield Termination.



**IMPORTANT:** Always roll band through the buckle slot twice (see Step 3). Bands must be double-coiled to function correctly. The failure to roll the band through the buckle slot twice is the most common user error in band style terminations.

Metric Dimensions (mm) are indicated in parentheses.



## PRODUCT FEATURES

- Unique EMI/RFI and Environmental Backshell Design Features an Enclosed Banding Porch
- Cable Sealing Immersion Protection to 6 ft.
- Rotatable, Self-Locking and Direct Coupling Styles
- Standard and Full-Radius Designs
- Straight, 45° and 90° Configurations
- Selection of Strain-Relief Styles

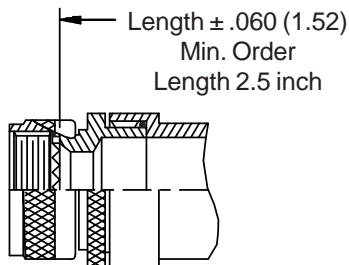
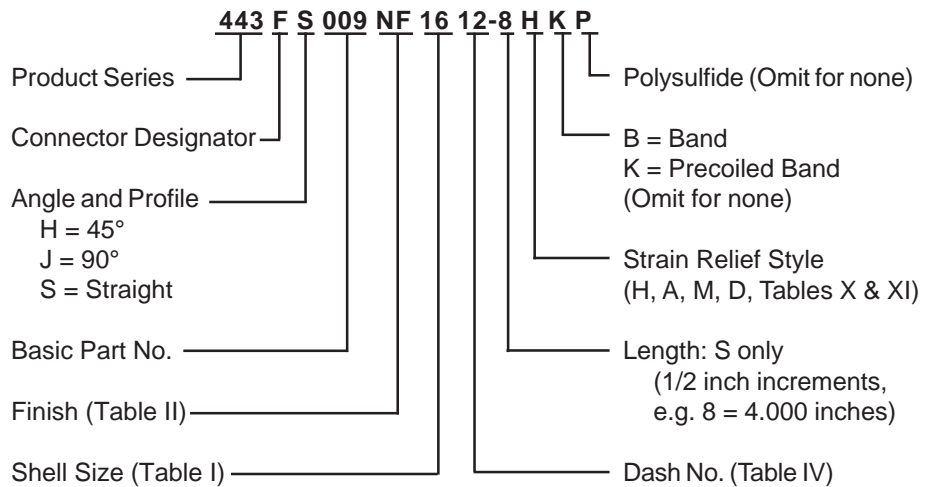
## The convenience of banding in an environmental backshell

### *Band-in-a-Can design protects shield termination from handling damage and corrosion*

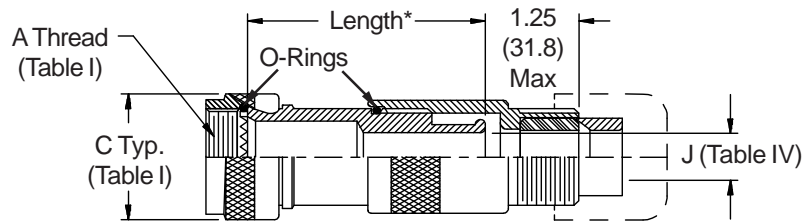
A banding backshell assembly, that utilizes a secondary adapter that covers the banding area, along with providing options for environmental sealing and strain relief. This backshell combines the efficiency and convenience of band style shielded termination with a protective backshell which seals and protects the shield termination area from damage due to rough handling and also provides cable sealing and environmental protection to 6 ft. Recommended for use in harsh application environments where banding is the preferred shield termination technology.

**CONNECTOR DESIGNATORS**  
**A-F-H-L-S**  
**ROTATABLE COUPLING**

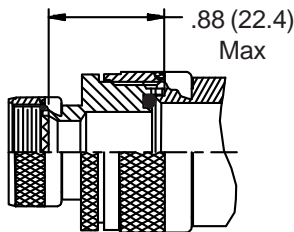
**-445** Now Available with the "NESTOR"  
 Add "-445" to Specify Non-Detent Self-Locking Coupling. See Page 41 for Details.



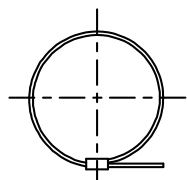
**STYLE 2 (STRAIGHT)**  
 See Note 1)



\* Length ± .060 (1.52)  
 Min. Order Length 2.0 inch  
 (Consult factory for shorter lengths)

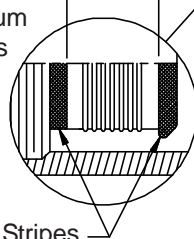


**STYLE 2 (45° & 90°)**  
 See Note 1)

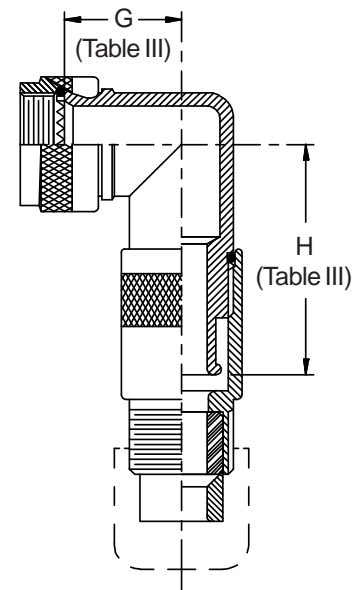
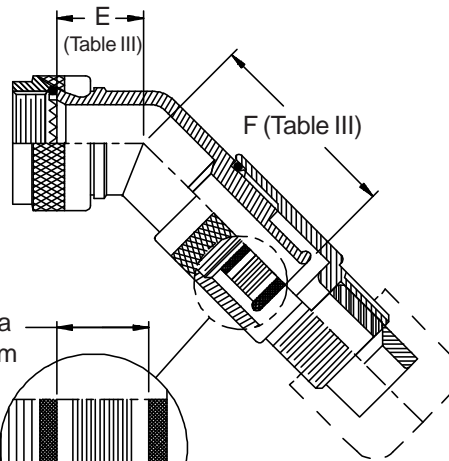


Band Option (K Option Shown - See Note 4)

Termination Area Free of Cadmium Knurl or Ridges Mfr's Option



Polysulfide Stripes P Option



**Submersible EMI/RFI Cable Sealing Backshell**  
**Band-in-a-Can with Strain-Relief**  
**Rotatable Coupling - Standard Profile**



See inside back cover fold-out or pages 13 and 14 for Tables I and II.

**TABLE III: ELBOW DIMENSIONS**

Shell Size Conn. Desig. A-F-L-S H	E Max	F Max	G Max	H Max
08 09	.639 (16.2)	1.380 (35.1)	.750 (19.1)	1.500 (38.1)
10 11	.664 (16.9)	1.410 (35.8)	.810 (20.6)	1.550 (39.4)
12 13	.688 (17.5)	1.430 (36.3)	.870 (22.1)	1.610 (40.9)
14 15	.705 (17.9)	1.460 (37.1)	.920 (23.4)	1.680 (42.7)
16 17	.732 (18.6)	1.480 (37.6)	.980 (24.9)	1.740 (44.2)
18 19	.748 (19.0)	1.490 (37.8)	1.020 (25.9)	1.760 (44.7)
20 21	.773 (19.6)	1.510 (38.4)	1.080 (27.4)	1.820 (46.2)
22 23	.800 (20.3)	1.550 (39.4)	1.140 (29.0)	1.900 (48.3)
24 25	.823 (20.9)	1.580 (40.1)	1.200 (30.5)	1.970 (50.0)

**TABLE IV: CABLE ENTRY**

Dash No.	Clamp Size	J Dia
02	03	.125 (3.2)
03	03	.188 (4.8)
04	03	.250 (6.4)
05	04	.312 (7.9)
06	06	.375 (9.5)
07	06	.438 (11.1)
08	08	.500 (12.7)
09	10	.562 (14.3)
10	10	.625 (15.9)
11	12	.688 (17.5)
12	12	.750 (19.1)
13	16	.812 (20.6)
14	16	.875 (22.2)
15	16	.938 (23.8)
16	20	1.000 (25.4)
17	20	1.062 (27.0)
18	20	1.125 (28.6)
20	20	1.250 (31.8)
22	24	1.375 (34.9)
24	28	1.500 (38.1)

**TABLE X: CABLE ENTRY**

Clamp Size	T Max	V Max	Cable Range	
			Min	Max
04	.780 (19.8)	.957 (24.3)	.125 (3.2)	.312 (7.9)
06	.780 (19.8)	1.145 (29.1)	.250 (6.4)	.437 (11.1)
08	.780 (19.8)	1.332 (33.8)	.387 (9.8)	.562 (14.3)
10	.780 (19.8)	1.332 (33.8)	.350 (8.9)	.625 (15.9)
12	.811 (20.6)	1.551 (39.4)	.500 (12.7)	.750 (19.1)
16	.905 (23.0)	1.770 (45.0)	.625 (15.9)	.937 (23.8)
20	1.092 (27.7)	2.113 (53.7)	.875 (22.2)	1.250 (31.8)
24	1.124 (28.5)	2.363 (60.0)	1.000 (25.4)	1.375 (34.9)
28	1.399 (35.5)	2.770 (70.4)	1.250 (31.8)	1.625 (41.3)

**TABLE XI: CABLE ENTRY**

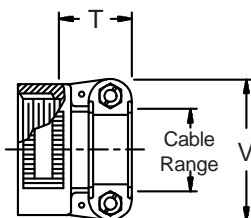
Clamp Size	W Max	X Max	Y Max	Z Max	Cable Range	
					Min **	Max
03*	.437 (11.1)	.760 (19.3)	.843 (21.4)	.630 (16.0)	.156 (4.0)	.250 (6.4)
04*	.437 (11.1)	.760 (19.3)	.906 (23.0)	.755 (19.2)	.188 (4.8)	.312 (7.9)
06*	.500 (12.7)	.760 (19.3)	1.093 (27.8)	.942 (23.9)	.281 (7.1)	.438 (11.1)
08	.563 (14.3)	.760 (19.3)	1.187 (30.1)	1.067 (27.1)	.387 (9.8)	.562 (14.3)
10	.563 (14.3)	.760 (19.3)	1.281 (32.5)	1.192 (30.3)	.375 (9.5)	.625 (15.9)
12	.563 (14.3)	.760 (19.3)	1.500 (38.1)	1.380 (35.1)	.438 (11.1)	.750 (19.1)
16	.656 (16.7)	1.073 (27.3)	1.719 (43.7)	1.535 (39.0)	.625 (15.9)	.938 (23.8)
20	.656 (16.7)	1.323 (33.6)	2.062 (52.4)	1.848 (46.9)	.875 (22.2)	1.250 (31.8)
24	.656 (16.7)	1.323 (33.6)	2.312 (58.7)	2.255 (57.3)	1.000 (25.4)	1.375 (34.9)
28	1.188 (30.2)	1.572 (39.9)	2.719 (69.1)	2.505 (63.6)	1.250 (31.8)	1.625 (41.3)

\* Not available in Style M clamp.

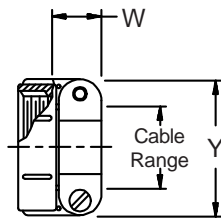
\*\* Not Applicable Style D

1. When maximum cable entry (page 21) is exceeded, Style 2 will be supplied. Dimensions E, F, G, and H will not apply. Please consult factory.
2. Metric dimensions (mm) are indicated in parentheses.
3. O-Ring not supplied with Connector Designator A.
4. Backshells supplied with 600-052-\* band, see Glenair Series 600 Tool Catalog for installation.

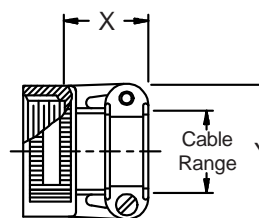
**STYLE H**  
Heavy Duty (Table X)



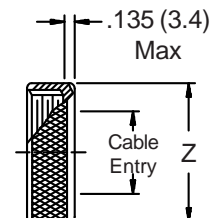
**STYLE A**  
Medium Duty (Table XI)



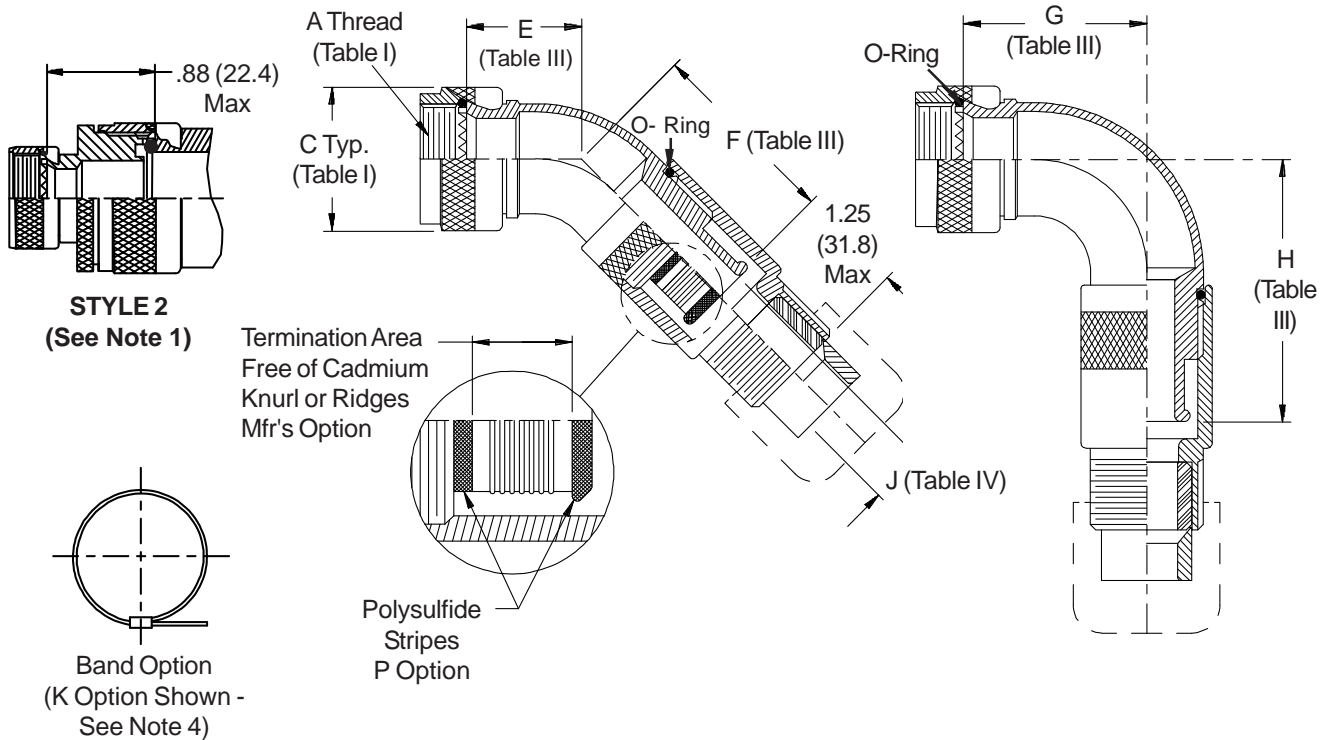
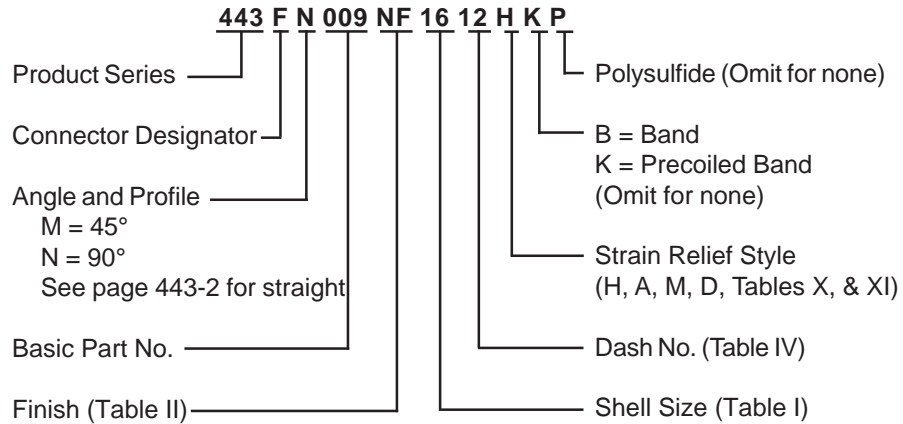
**STYLE M**  
Medium Duty (Table XI)



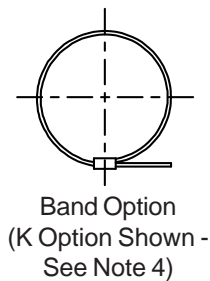
**STYLE D**  
Medium Duty (Table XI)



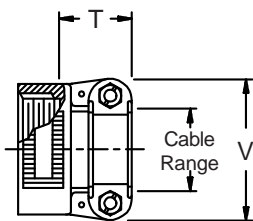
**CONNECTOR DESIGNATORS**  
**A-F-H-L-S**  
**ROTATABLE COUPLING**



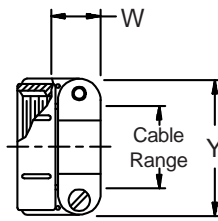
**STYLE 2**  
 (See Note 1)



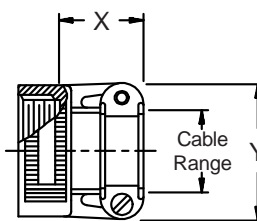
**STYLE H**  
 Heavy Duty (Table X)



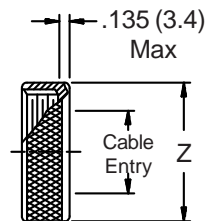
**STYLE A**  
 Medium Duty (Table XI)



**STYLE M**  
 Medium Duty (Table XI)



**STYLE D**  
 Medium Duty (Table XI)



**Submersible EMI/RFI Cable Sealing Backshell**  
**Band-in-a-Can with Strain-Relief**  
**Direct Coupling - Full Radius Profile**



See inside back cover fold-out or pages 13 and 14 for Tables I and II.

TABLE III: ELBOW DIMENSIONS

Shell Size		E Max	F Max	G Max	H Max
Conn. Desig. A-F-L-S	H				
08	09	.817 (20.8)	1.057 (26.8)	1.125 (28.6)	1.375 (34.9)
10	11	.861 (21.9)	1.111 (28.2)	1.250 (31.8)	1.500 (38.1)
12	13	.911 (23.1)	1.161 (29.5)	1.375 (34.9)	1.625 (41.3)
14	15	.965 (24.5)	1.215 (30.9)	1.500 (38.1)	1.750 (44.5)
16	17	1.014 (25.8)	1.264 (32.1)	1.625 (41.3)	1.875 (47.6)
18	19	1.064 (27.0)	1.314 (33.4)	1.750 (44.5)	2.000 (50.8)
20	21	1.118 (28.4)	1.368 (34.7)	1.875 (47.6)	2.125 (54.0)
22	23	1.172 (29.8)	1.422 (36.1)	2.000 (50.8)	2.250 (57.2)
24	25	1.221 (31.0)	1.471 (37.4)	2.125 (54.0)	2.375 (60.3)

TABLE IV: CABLE ENTRY

Dash No.	Clamp Size	J Dia	
02	03	.125	(3.2)
03	03	.188	(4.8)
04	03	.250	(6.4)
05	04	.312	(7.9)
06	06	.375	(9.5)
07	06	.438	(11.1)
08	08	.500	(12.7)
09	10	.562	(14.3)
10	10	.625	(15.9)
11	12	.688	(17.5)
12	12	.750	(19.1)
13	16	.812	(20.6)
14	16	.875	(22.2)
15	16	.938	(23.8)
16	20	1.000	(25.4)
17	20	1.062	(27.0)
18	20	1.125	(28.6)
20	20	1.250	(31.8)
22	24	1.375	(34.9)
24	28	1.500	(38.1)

TABLE X: CABLE ENTRY

Clamp Size	T Max	V Max	Cable Range	
			Min	Max
04	.780 (19.8)	.957 (24.3)	.125 (3.2)	.312 (7.9)
06	.780 (19.8)	1.145 (29.1)	.250 (6.4)	.437 (11.1)
08	.780 (19.8)	1.332 (33.8)	.387 (9.8)	.562 (14.3)
10	.780 (19.8)	1.332 (33.8)	.350 (8.9)	.625 (15.9)
12	.811 (20.6)	1.551 (39.4)	.500 (12.7)	.750 (19.1)
16	.905 (23.0)	1.770 (45.0)	.625 (15.9)	.937 (23.8)
20	1.092 (27.7)	2.113 (53.7)	.875 (22.2)	1.250 (31.8)
24	1.124 (28.5)	2.363 (60.0)	1.000 (25.4)	1.375 (34.9)
28	1.399 (35.5)	2.770 (70.4)	1.250 (31.8)	1.625 (41.3)

TABLE XI: CABLE ENTRY

Clamp Size	W Max	X Max	Y Max	Z Max	Cable Range	
					Min **	Max
03*.437 (11.1)	.760 (19.3)	.843 (21.4)	.630 (16.0)	.156 (4.0)	.250 (6.4)	
04*.437 (11.1)	.760 (19.3)	.906 (23.0)	.755 (19.2)	.188 (4.8)	.312 (7.9)	
06*.500 (12.7)	.760 (19.3)	1.093 (27.8)	.942 (23.9)	.281 (7.1)	.438 (11.1)	
08.563 (14.3)	.760 (19.3)	1.187 (30.1)	1.067 (27.1)	.387 (9.8)	.562 (14.3)	
10.563 (14.3)	.760 (19.3)	1.281 (32.5)	1.192 (30.3)	.375 (9.5)	.625 (15.9)	
12.563 (14.3)	.760 (19.3)	1.500 (38.1)	1.380 (35.1)	.438 (11.1)	.750 (19.1)	
16.656 (16.7)	1.073 (27.3)	1.719 (43.7)	1.535 (39.0)	.625 (15.9)	.938 (23.8)	
20.656 (16.7)	1.323 (33.6)	2.062 (52.4)	1.848 (46.9)	.875 (22.2)	1.250 (31.8)	
24.656 (16.7)	1.323 (33.6)	2.312 (58.7)	2.255 (57.3)	1.000 (25.4)	1.375 (34.9)	
28.188 (30.2)	1.572 (39.9)	2.719 (69.1)	2.505 (63.6)	1.250 (31.8)	1.625 (41.3)	

\* Not available in Style M clamp.      \*\* Not Applicable Style D

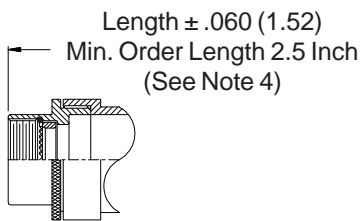
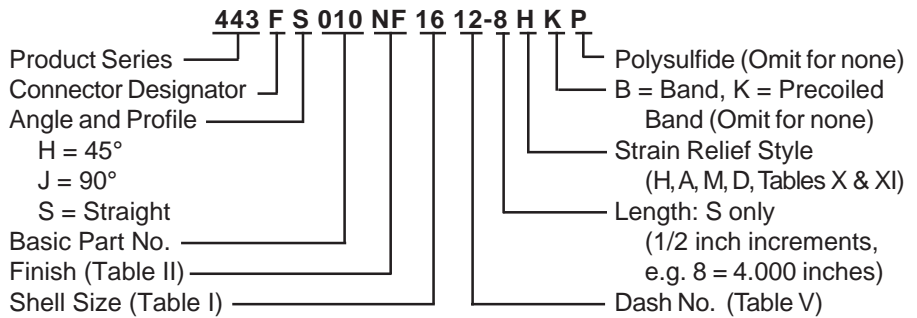
1. When maximum cable entry (page 21) is exceeded, Style 2 will be supplied. Dimensions E, F, G, and H will not apply. Please consult factory.
2. Metric dimensions (mm) are indicated in parentheses.
3. O-Ring not supplied with Connector Designator A.
4. Backshells supplied with 600-052-\* band, see Glenair Series 600 Tool Catalog for installation.



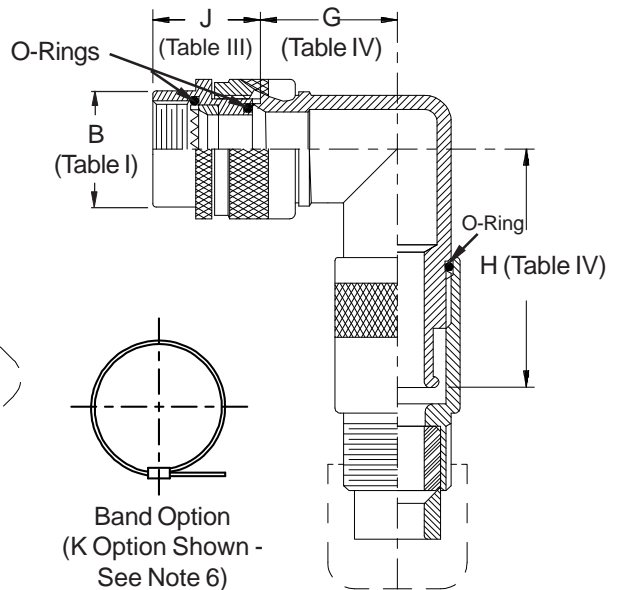
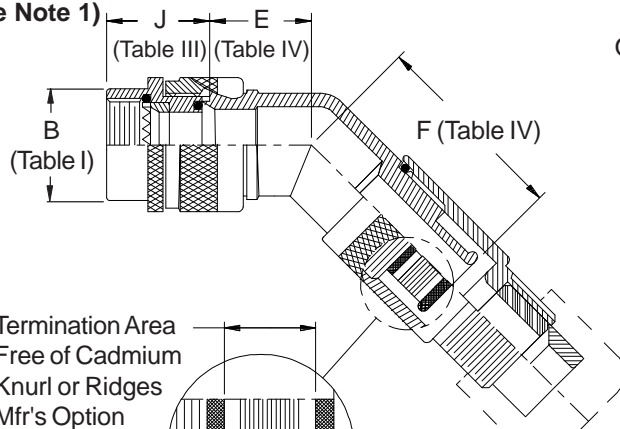
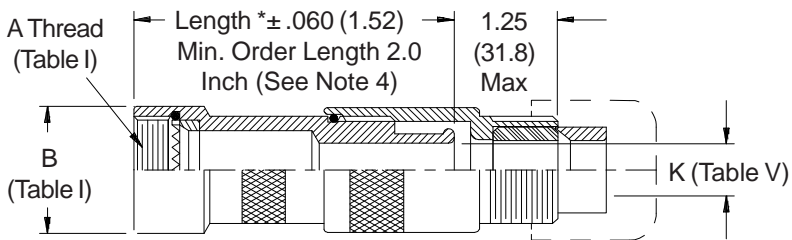
**CONNECTOR  
 DESIGNATORS**  
**A-B\*-C-D-E-F**  
**G-H-J-K-L-S**

\* Conn. Desig. B See Note 5

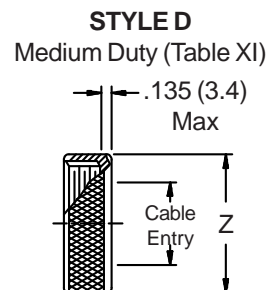
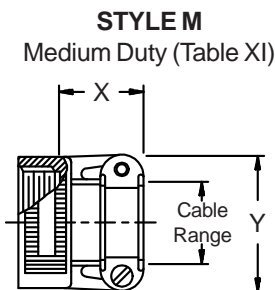
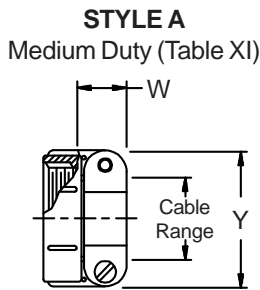
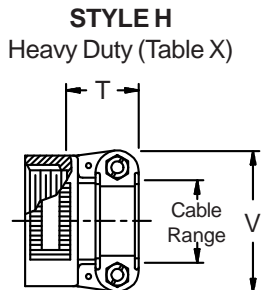
**DIRECT  
 COUPLING**



**STYLE 2  
 (STRAIGHT  
 See Note 1)**



Polysulfide Stripes - P Option



**443-010**  
**EMI/RFI Cable Sealing Backshell**  
**Band-in-a-Can with Strain-Relief**  
**Direct Coupling - Standard Profile**



**TABLE III: FRONT ADAPTER**

Shell Size	J Max - Conn. Designator		
	A-E-F		C
	J-H-L-S	D-B-G-K	
08/09	1.180 (30.0)	1.250 (31.8)	
10/11	1.180 (30.0)	1.250 (31.8)	
12/13	1.180 (30.0)	1.250 (31.8)	1.735 (44.1)
14/15	1.180 (30.0)	1.250 (31.8)	1.915 (48.6)
16/17	1.380 (35.0)	1.560 (39.6)	1.915 (48.6)
18/19	1.380 (35.0)	1.560 (39.6)	1.915 (48.6)
20/21	1.380 (35.0)	1.560 (39.6)	1.915 (48.6)
22/23	1.380 (35.0)	1.560 (39.6)	1.915 (48.6)
24/25	1.380 (35.0)	1.560 (39.6)	1.915 (48.6)
28/29	1.610 (40.9)	1.560 (39.6)	1.915 (48.6)
32/33	1.610 (40.9)	1.750 (44.5)	1.915 (48.6)
36	1.610 (40.9)	1.750 (44.5)	1.915 (48.6)
40	1.610 (40.9)	2.190 (55.6)	1.915 (48.6)

**TABLE IV: ELBOW DIMENSIONS**

Elbow Size	E Max	F Max	G Max	H Max
04	.664 (16.9)	1.410 (35.8)	.810 (20.6)	1.550 (39.4)
06	.688 (17.5)	1.430 (36.3)	.870 (22.1)	1.610 (40.9)
08	.688 (17.5)	1.430 (36.3)	.870 (22.1)	1.610 (40.9)
10	.732 (18.6)	1.480 (37.6)	.980 (24.9)	1.740 (44.2)
12	.748 (19.0)	1.490 (37.8)	1.020 (25.9)	1.760 (44.7)
16	.773 (19.6)	1.510 (38.4)	1.080 (27.4)	1.820 (46.2)
20	1.041 (26.4)	1.750 (44.5)	1.480 (37.6)	2.210 (56.1)
24	1.041 (26.4)	1.750 (44.5)	1.480 (37.6)	2.210 (56.1)
28	1.092 (27.7)	1.790 (45.5)	1.610 (40.9)	2.300 (58.4)

See inside back cover  
 fold-out or pages 13 and 14  
 for Tables I and II.

**TABLE V: CABLE ENTRY**

Dash No.	Clamp Size	K Dia
02	03	.125 (3.2)
03	03	.188 (4.8)
04	03	.250 (6.4)
05	04	.312 (7.9)
06	06	.375 (9.5)
07	06	.438 (11.1)
08	08	.500 (12.7)
09	10	.562 (14.3)
10	10	.625 (15.9)
11	12	.688 (17.5)
12	12	.750 (19.1)
13	16	.812 (20.6)
14	16	.875 (22.2)
15	16	.938 (23.8)
16	20	1.000 (25.4)
17	20	1.062 (27.0)
18	20	1.125 (28.6)
20	20	1.250 (31.8)
22	24	1.375 (34.9)
24	28	1.500 (38.1)

- When maximum cable entry (page 22) is exceeded, Style 2 will be supplied. (Function S only).
- Metric dimensions (mm) are indicated in parentheses.
- Cable range is defined as the accommodations range for the wire bundle or cable. Dimensions shown are not intended for inspection criteria.
- Consult factory for shorter lengths on straight backshells.
- When using Connector Designator B refer to pages 18 and 19 for part number development.
- Backshells supplied with 600-052-\* band, see Glenair Series 600 Tool Catalog for installation.

**TABLE X: CABLE ENTRY**

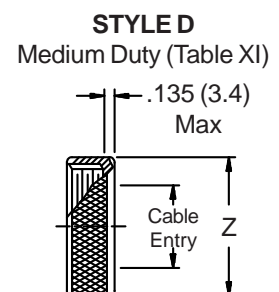
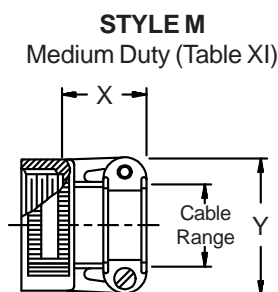
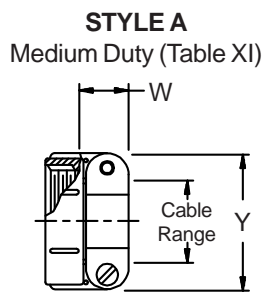
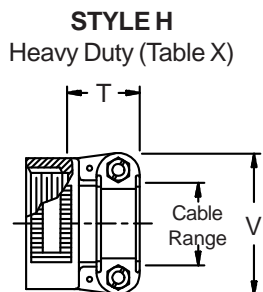
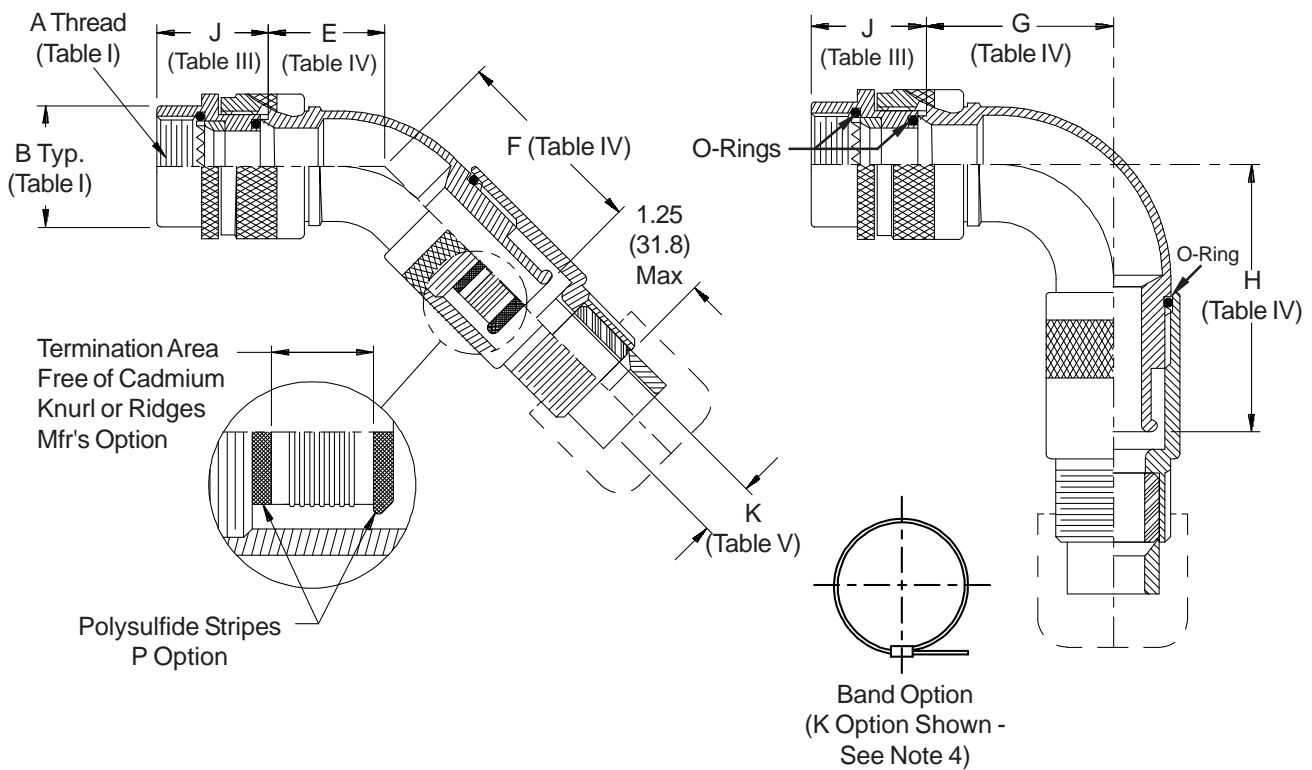
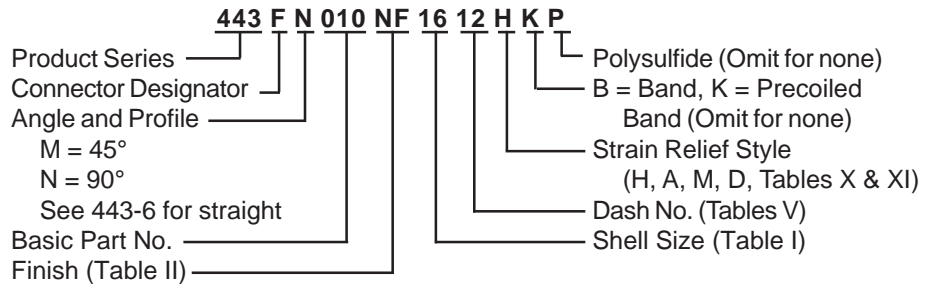
Clamp Size	T Max	V Max	Cable Range	
			Min	Max
04	.780 (19.8)	.957 (24.3)	.125 (3.2)	.312 (7.9)
06	.780 (19.8)	1.145 (29.1)	.250 (6.4)	.437 (11.1)
08	.780 (19.8)	1.332 (33.8)	.387 (9.8)	.562 (14.3)
10	.780 (19.8)	1.332 (33.8)	.350 (8.9)	.625 (15.9)
12	.811 (20.6)	1.551 (39.4)	.500 (12.7)	.750 (19.1)
16	.905 (23.0)	1.770 (45.0)	.625 (15.9)	.937 (23.8)
20	1.092 (27.7)	2.113 (53.7)	.875 (22.2)	1.250 (31.8)
24	1.124 (28.5)	2.363 (60.0)	1.000 (25.4)	1.375 (34.9)
28	1.399 (35.5)	2.770 (70.4)	1.250 (31.8)	1.625 (41.3)

**TABLE XI: CABLE ENTRY**

Clamp Size	W Max	X Max	Y Max	Z Max	Cable Range	
					Min **	Max
03*	.437 (11.1)	.760 (19.3)	.843 (21.4)	.630 (16.0)	.156 (4.0)	.250 (6.4)
04*	.437 (11.1)	.760 (19.3)	.906 (23.0)	.755 (19.2)	.188 (4.8)	.312 (7.9)
06*	.500 (12.7)	.760 (19.3)	1.093 (27.8)	.942 (23.9)	.281 (7.1)	.438 (11.1)
08	.563 (14.3)	.760 (19.3)	1.187 (30.1)	1.067 (27.1)	.387 (9.8)	.562 (14.3)
10	.563 (14.3)	.760 (19.3)	1.281 (32.5)	1.192 (30.3)	.375 (9.5)	.625 (15.9)
12	.563 (14.3)	.760 (19.3)	1.500 (38.1)	1.380 (35.1)	.438 (11.1)	.750 (19.1)
16	.656 (16.7)	1.073 (27.3)	1.719 (43.7)	1.535 (39.0)	.625 (15.9)	.938 (23.8)
20	.656 (16.7)	1.323 (33.6)	2.062 (52.4)	1.848 (46.9)	.875 (22.2)	1.250 (31.8)
24	.656 (16.7)	1.323 (33.6)	2.312 (58.7)	2.255 (57.3)	1.000 (25.4)	1.375 (34.9)
28	1.188 (30.2)	1.572 (39.9)	2.719 (69.1)	2.505 (63.6)	1.250 (31.8)	1.625 (41.3)

\* Not available in Style M clamp.      \*\* Not Applicable Style D

**CONNECTOR DESIGNATORS**  
**A-B\*-C-D-E-F**  
**G-H-J-K-L-S**  
 \* Conn. Desig. B See Note 3  
**DIRECT COUPLING**



**443-010**  
**EMI/RFI Cable Sealing Backshell**  
**Band-in-a-Can with Strain-Relief**  
**Direct Coupling - Full Radius Profile**



**TABLE III: FRONT ADAPTER**

Shell Size	J Max - Conn. Designator		
	A-E-F		
	J-H-L-S	D-B-G-K	C
08/09	1.180 (30.0)	1.250 (31.8)	
10/11	1.180 (30.0)	1.250 (31.8)	
12/13	1.180 (30.0)	1.250 (31.8)	1.735 (44.1)
14/15	1.180 (30.0)	1.250 (31.8)	1.915 (48.6)
16/17	1.380 (35.0)	1.560 (39.6)	1.915 (48.6)
18/19	1.380 (35.0)	1.560 (39.6)	1.915 (48.6)
20/21	1.380 (35.0)	1.560 (39.6)	1.915 (48.6)
22/23	1.380 (35.0)	1.560 (39.6)	1.915 (48.6)
24/25	1.380 (35.0)	1.560 (39.6)	1.915 (48.6)
28/29	1.610 (40.9)	1.560 (39.6)	1.915 (48.6)
32/33	1.610 (40.9)	1.750 (44.5)	1.915 (48.6)
36	1.610 (40.9)	1.750 (44.5)	1.915 (48.6)
40	1.610 (40.9)	2.190 (55.6)	1.915 (48.6)

**TABLE IV: ELBOW DIMENSIONS**

Elbow Size	E Max	F Max	G Max	H Max
04	.875 (22.2)	1.100 (27.9)	1.250 (31.8)	1.505 (38.2)
06	.938 (23.8)	1.160 (29.5)	1.375 (34.9)	1.625 (41.3)
08	.938 (23.8)	1.160 (29.5)	1.375 (34.9)	1.625 (41.3)
10	1.062 (27.0)	1.290 (32.8)	1.625 (41.3)	1.875 (47.6)
12	1.094 (27.8)	1.350 (34.3)	1.750 (44.5)	1.995 (50.7)
16	1.156 (29.4)	1.410 (35.8)	1.875 (47.6)	2.125 (54.0)
20	1.570 (39.9)	1.820 (46.2)	2.765 (70.2)	2.500 (63.5)
24	1.570 (39.9)	1.820 (46.2)	2.765 (70.2)	2.500 (63.5)
28	1.820 (46.2)	2.070 (52.6)	3.225 (81.9)	2.620 (66.5)

See inside  
back cover fold-out or  
pages 13 and 14  
for Tables I and II.

1. Metric dimensions (mm) are indicated in parentheses.
2. Cable range is defined as the accommodations range for the wire bundle or cable. Dimensions shown are not intended for inspection criteria.
3. When using Connector Designator B refer to pages 18 and 19 for part number development.
4. Backshells supplied with 600-052-\* band, see Glenair Series 600 Tool Catalog for installation.

**TABLE V: CABLE ENTRY**

Dash No.	Clamp Size	K Dia
05	04	.312 (7.9)
06	06	.375 (9.5)
07	06	.438 (11.1)
08	08	.500 (12.7)
09	10	.562 (14.3)
10	10	.625 (15.9)
11	12	.688 (17.5)
12	12	.750 (19.1)
13	16	.812 (20.6)
14	16	.875 (22.2)
15	16	.938 (23.8)
16	20	1.000 (25.4)
17	20	1.062 (27.0)
18	20	1.125 (28.6)
20	20	1.250 (31.8)
22	24	1.375 (34.9)
24	28	1.500 (38.1)

**TABLE X: CABLE ENTRY**

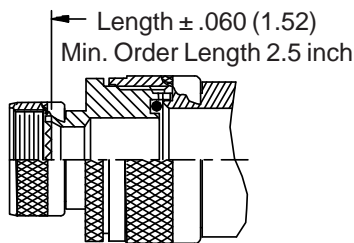
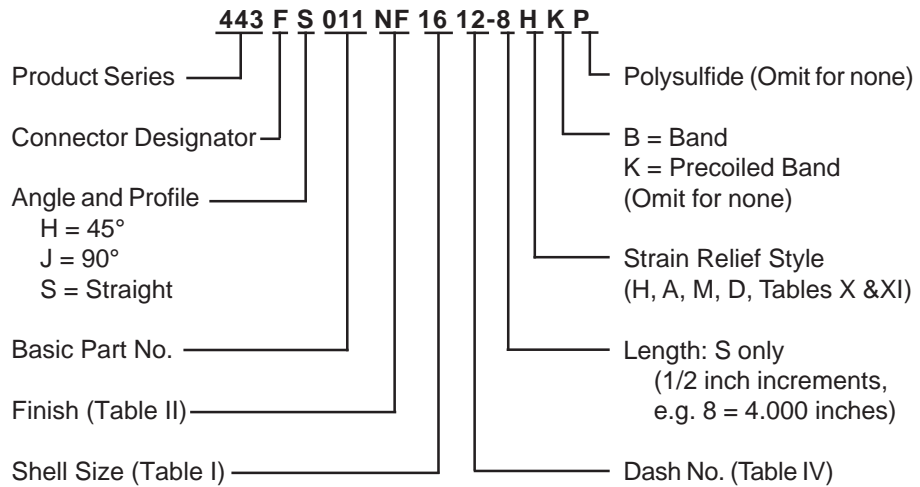
Clamp Size	T Max	V Max	Cable Range			
			Min		Max	
04	.780 (19.8)	.957 (24.3)	.125 (3.2)	.312 (7.9)		
06	.780 (19.8)	1.145 (29.1)	.250 (6.4)	.437 (11.1)		
08	.780 (19.8)	1.332 (33.8)	.387 (9.8)	.562 (14.3)		
10	.780 (19.8)	1.332 (33.8)	.350 (8.9)	.625 (15.9)		
12	.811 (20.6)	1.551 (39.4)	.500 (12.7)	.750 (19.1)		
16	.905 (23.0)	1.770 (45.0)	.625 (15.9)	.937 (23.8)		
20	1.092 (27.7)	2.113 (53.7)	.875 (22.2)	1.250 (31.8)		
24	1.124 (28.5)	2.363 (60.0)	1.000 (25.4)	1.375 (34.9)		
28	1.399 (35.5)	2.770 (70.4)	1.250 (31.8)	1.625 (41.3)		

**TABLE XI: CABLE ENTRY**

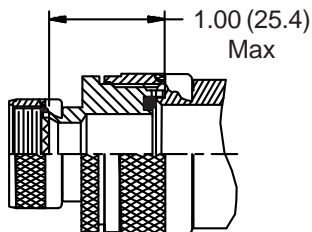
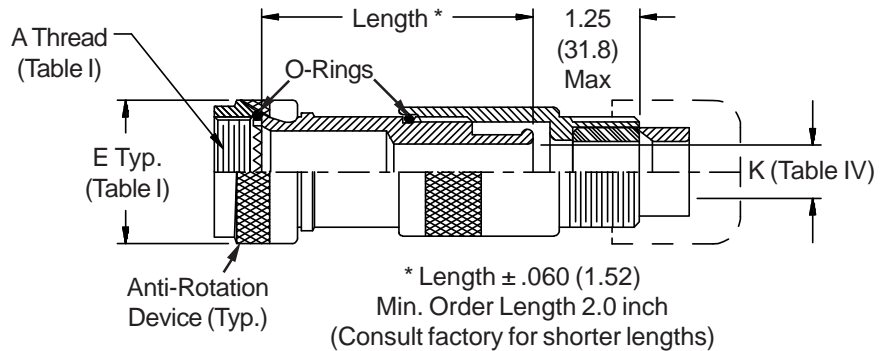
Clamp Size	W Max	X Max	Y Max	Z Max	Cable Range		
					Min **		Max
03*	.437 (11.1)	.760 (19.3)	.843 (21.4)	.630 (16.0)	.156 (4.0)	.250 (6.4)	
04*	.437 (11.1)	.760 (19.3)	.906 (23.0)	.755 (19.2)	.188 (4.8)	.312 (7.9)	
06*	.500 (12.7)	.760 (19.3)	1.093 (27.8)	.942 (23.9)	.281 (7.1)	.438 (11.1)	
08	.563 (14.3)	.760 (19.3)	1.187 (30.1)	1.067 (27.1)	.387 (9.8)	.562 (14.3)	
10	.563 (14.3)	.760 (19.3)	1.281 (32.5)	1.192 (30.3)	.375 (9.5)	.625 (15.9)	
12	.563 (14.3)	.760 (19.3)	1.500 (38.1)	1.380 (35.1)	.438 (11.1)	.750 (19.1)	
16	.656 (16.7)	1.073 (27.3)	1.719 (43.7)	1.535 (39.0)	.625 (15.9)	.938 (23.8)	
20	.656 (16.7)	1.323 (33.6)	2.062 (52.4)	1.848 (46.9)	.875 (22.2)	1.250 (31.8)	
24	.656 (16.7)	1.323 (33.6)	2.312 (58.7)	2.255 (57.3)	1.000 (25.4)	1.375 (34.9)	
28	1.188 (30.2)	1.572 (39.9)	2.719 (69.1)	2.505 (63.6)	1.250 (31.8)	1.625 (41.3)	

\* Not available in Style M clamp.      \*\* Not Applicable Style D

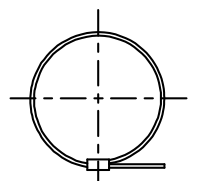
**CONNECTOR  
DESIGNATORS  
A-F-H-L-S  
SELF-LOCKING  
ROTATABLE  
COUPLING**



**STYLE 2  
(STRAIGHT  
See Note 1)**

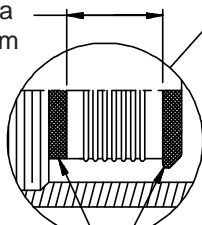


**STYLE 2  
(45° & 90°  
See Note 1)**

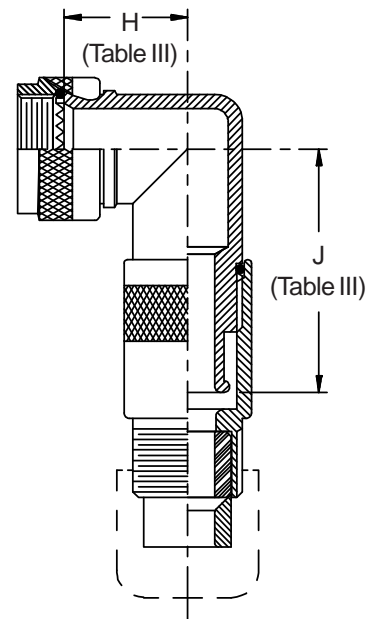
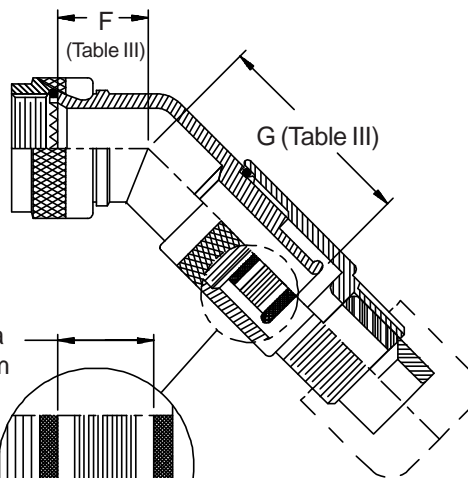


Band Option  
(K Option Shown -  
See Note 4)

Termination Area  
Free of Cadmium  
Knurl or Ridges  
Mfr's Option



Polysulfide Stripes  
P Option





**EMI/RFI Cable Sealing Backshell**  
**Band-in-a-Can with Strain-Relief**  
**Self-Locking Rotatable Coupling - Standard Profile**



See inside back cover fold-out or pages 13 and 14 for Tables I and II.

**TABLE III: ELBOW DIMENSIONS**

Shell Size Conn. Desig. A-F-L-S H	F Max	G Max	H Max	J Max
08 09	.795 (20.2)	1.380 (35.1)	.906 (23.0)	1.500 (38.1)
10 11	.820 (20.8)	1.410 (35.8)	.966 (24.5)	1.550 (39.4)
12 13	.844 (21.4)	1.430 (36.3)	1.026 (26.1)	1.610 (40.9)
14 15	.861 (21.9)	1.460 (37.1)	1.076 (27.3)	1.680 (42.7)
16 17	.888 (22.6)	1.480 (37.6)	1.136 (28.9)	1.740 (44.2)
18 19	.904 (23.0)	1.490 (37.8)	1.176 (29.9)	1.760 (44.7)
20 21	.929 (23.6)	1.510 (38.4)	1.236 (31.4)	1.820 (46.2)
22 23	.956 (24.3)	1.550 (39.4)	1.296 (32.9)	1.900 (48.3)
24 25	.979 (24.9)	1.580 (40.1)	1.356 (34.4)	1.970 (50.0)

**TABLE IV: CABLE ENTRY**

Dash No.	Clamp Size	K Dia
02	03	.125 (3.2)
03	03	.188 (4.8)
04	03	.250 (6.4)
05	04	.312 (7.9)
06	06	.375 (9.5)
07	06	.438 (11.1)
08	08	.500 (12.7)
09	10	.562 (14.3)
10	10	.625 (15.9)
11	12	.688 (17.5)
12	12	.750 (19.1)
13	16	.812 (20.6)
14	16	.875 (22.2)
15	16	.938 (23.8)
16	20	1.000 (25.4)
17	20	1.062 (27.0)
18	20	1.125 (28.6)
20	20	1.250 (31.8)
22	24	1.375 (34.9)
24	28	1.500 (38.1)

**TABLE X: CABLE ENTRY**

Clamp Size	T Max	V Max	Cable Range	
			Min	Max
04	.780 (19.8)	.957 (24.3)	.125 (3.2)	.312 (7.9)
06	.780 (19.8)	1.145 (29.1)	.250 (6.4)	.437 (11.1)
08	.780 (19.8)	1.332 (33.8)	.387 (9.8)	.562 (14.3)
10	.780 (19.8)	1.332 (33.8)	.350 (8.9)	.625 (15.9)
12	.811 (20.6)	1.551 (39.4)	.500 (12.7)	.750 (19.1)
16	.905 (23.0)	1.770 (45.0)	.625 (15.9)	.937 (23.8)
20	1.092 (27.7)	2.113 (53.7)	.875 (22.2)	1.250 (31.8)
24	1.124 (28.5)	2.363 (60.0)	1.000 (25.4)	1.375 (34.9)
28	1.399 (35.5)	2.770 (70.4)	1.250 (31.8)	1.625 (41.3)

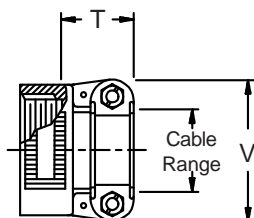
**TABLE XI: CABLE ENTRY**

Clamp Size	W Max	X Max	Y Max	Z Max	Cable Range	
					Min **	Max
03*	.437 (11.1)	.760 (19.3)	.843 (21.4)	.630 (16.0)	.156 (4.0)	.250 (6.4)
04*	.437 (11.1)	.760 (19.3)	.906 (23.0)	.755 (19.2)	.188 (4.8)	.312 (7.9)
06*	.500 (12.7)	.760 (19.3)	1.093 (27.8)	.942 (23.9)	.281 (7.1)	.438 (11.1)
08	.563 (14.3)	.760 (19.3)	1.187 (30.1)	1.067 (27.1)	.387 (9.8)	.562 (14.3)
10	.563 (14.3)	.760 (19.3)	1.281 (32.5)	1.192 (30.3)	.375 (9.5)	.625 (15.9)
12	.563 (14.3)	.760 (19.3)	1.500 (38.1)	1.380 (35.1)	.438 (11.1)	.750 (19.1)
16	.656 (16.7)	1.073 (27.3)	1.719 (43.7)	1.535 (39.0)	.625 (15.9)	.938 (23.8)
20	.656 (16.7)	1.323 (33.6)	2.062 (52.4)	1.848 (46.9)	.875 (22.2)	1.250 (31.8)
24	.656 (16.7)	1.323 (33.6)	2.312 (58.7)	2.255 (57.3)	1.000 (25.4)	1.375 (34.9)
28	1.188 (30.2)	1.572 (39.9)	2.719 (69.1)	2.505 (63.6)	1.250 (31.8)	1.625 (41.3)

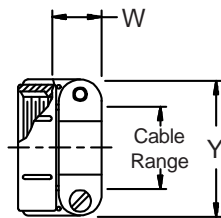
\* Not available in Style M clamp.      \*\* Not Applicable Style D

1. When maximum cable entry (page 21) is exceeded, Style 2 will be supplied. Dimensions F, G, H and J will not apply. Please consult factory.
2. O-Ring not supplied with Connector Designator A.
3. Backshells supplied with 600-052-\* band, see Glenair Series 600 Tool Catalog for installation.

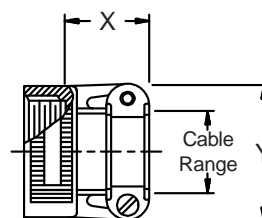
**STYLE H**  
Heavy Duty (Table X)



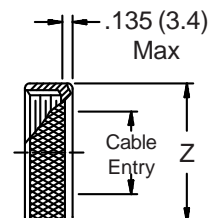
**STYLE A**  
Medium Duty (Table XI)



**STYLE M**  
Medium Duty (Table XI)

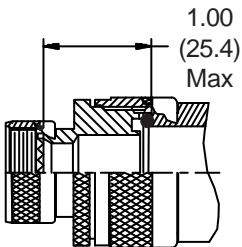
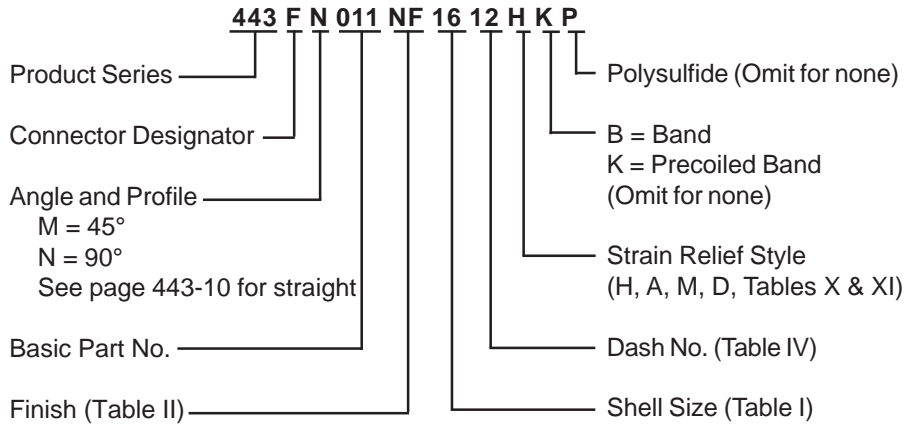


**STYLE D**  
Medium Duty (Table XI)

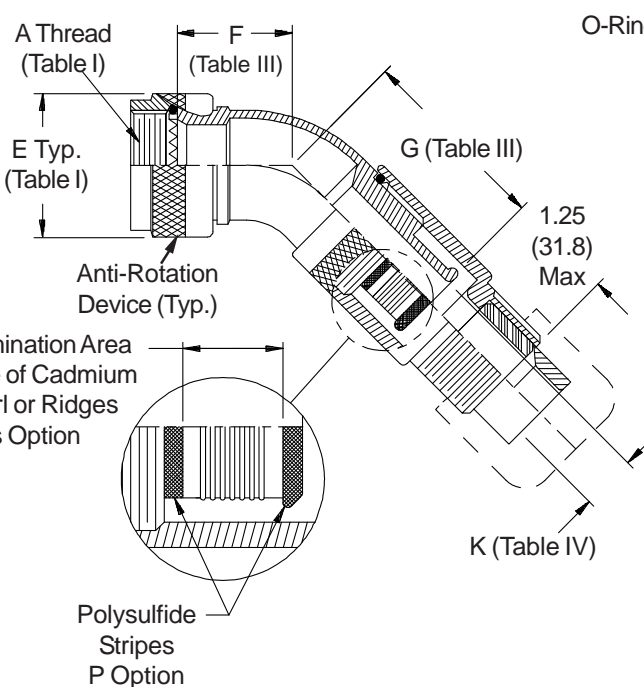
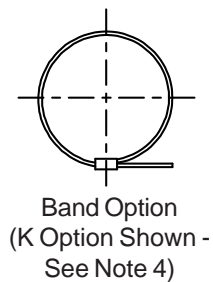




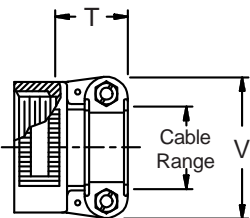
**CONNECTOR DESIGNATORS**  
**A-F-H-L-S**  
**SELF-LOCKING ROTATABLE COUPLING**



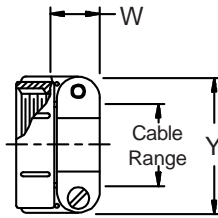
**STYLE 2**  
 (See Note 1)



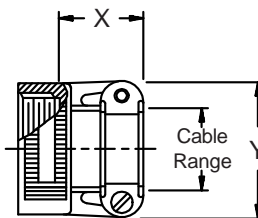
**STYLE H**  
 Heavy Duty (Table X)



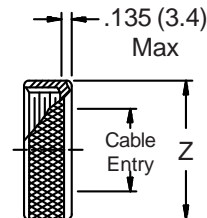
**STYLE A**  
 Medium Duty (Table XI)



**STYLE M**  
 Medium Duty (Table XI)



**STYLE D**  
 Medium Duty (Table XI)



**443-011**  
**EMI/RFI Cable Sealing Backshell**  
**Band-in-a-Can with Strain-Relief**  
**Self-Locking Rotatable Coupling - Full Radius Profile**



See inside back cover fold-out or pages 13 and 14 for Tables I and II.

Shell Size		F		G		H		J	
Conn. Desig.		Max		Max		Max		Max	
A-F-L-S	H								
08	09	.968	(24.6)	1.057	(26.8)	1.281	(32.5)	1.375	(34.9)
10	11	1.031	(26.2)	1.111	(28.2)	1.406	(35.7)	1.500	(38.1)
12	13	1.094	(27.8)	1.161	(29.5)	1.531	(38.9)	1.625	(41.3)
14	15	1.156	(29.4)	1.215	(30.9)	1.656	(42.1)	1.750	(44.5)
16	17	1.219	(31.0)	1.264	(32.1)	1.781	(45.2)	1.875	(47.6)
18	19	1.250	(31.8)	1.314	(33.4)	1.906	(48.4)	2.000	(50.8)
20	21	1.312	(33.3)	1.368	(34.7)	2.031	(51.6)	2.125	(54.0)
22	23	1.344	(34.1)	1.422	(36.1)	2.156	(54.8)	2.250	(57.2)
24	25	1.406	(35.7)	1.471	(37.4)	2.281	(57.9)	2.375	(60.3)

Dash No.	Clamp Size	K Dia	
02	03	.125	(3.2)
03	03	.188	(4.8)
04	03	.250	(6.4)
05	04	.312	(7.9)
06	06	.375	(9.5)
07	06	.438	(11.1)
08	08	.500	(12.7)
09	10	.562	(14.3)
10	10	.625	(15.9)
11	12	.688	(17.5)
12	12	.750	(19.1)
13	16	.812	(20.6)
14	16	.875	(22.2)
15	16	.938	(23.8)
16	20	1.000	(25.4)
17	20	1.062	(27.0)
18	20	1.125	(28.6)
20	20	1.250	(31.8)
22	24	1.375	(34.9)
24	28	1.500	(38.1)

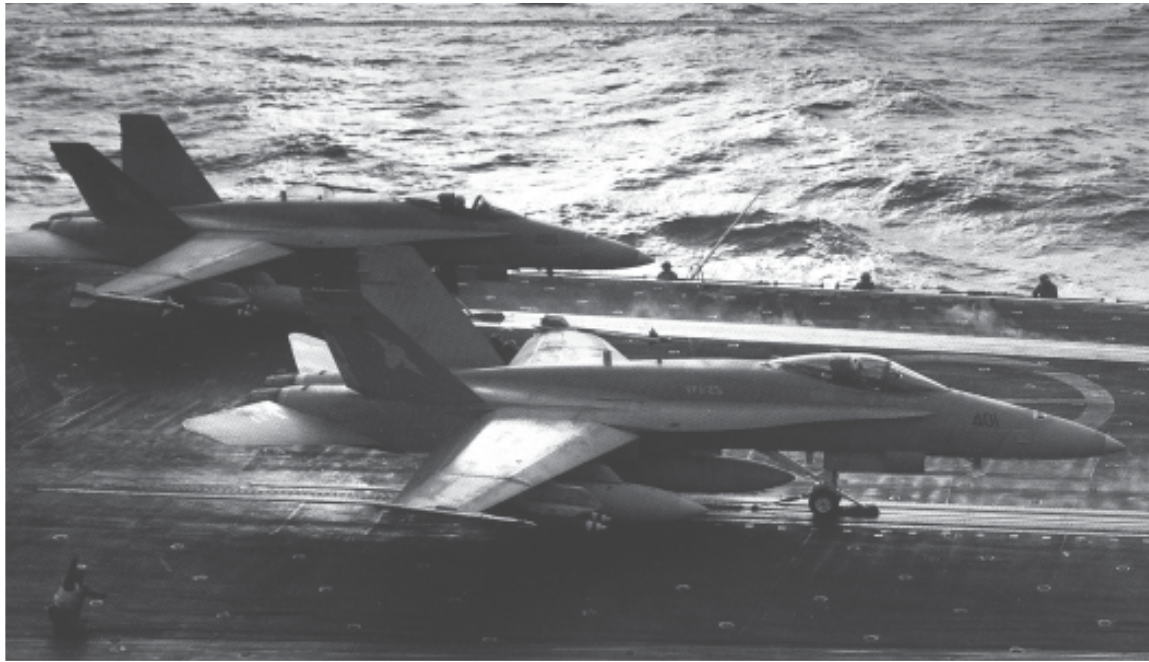
Clamp Size	T Max	V Max	Cable Range			
			Min		Max	
04	.780 (19.8)	.957 (24.3)	.125 (3.2)	.312 (7.9)		
06	.780 (19.8)	1.145 (29.1)	.250 (6.4)	.437 (11.1)		
08	.780 (19.8)	1.332 (33.8)	.387 (9.8)	.562 (14.3)		
10	.780 (19.8)	1.332 (33.8)	.350 (8.9)	.625 (15.9)		
12	.811 (20.6)	1.551 (39.4)	.500 (12.7)	.750 (19.1)		
16	.905 (23.0)	1.770 (45.0)	.625 (15.9)	.937 (23.8)		
20	1.092 (27.7)	2.113 (53.7)	.875 (22.2)	1.250 (31.8)		
24	1.124 (28.5)	2.363 (60.0)	1.000 (25.4)	1.375 (34.9)		
28	1.399 (35.5)	2.770 (70.4)	1.250 (31.8)	1.625 (41.3)		

Clamp Size	W Max	X Max	Y Max	Z Max	Cable Range		
					Min **		Max
03*	.437 (11.1)	.760 (19.3)	.843 (21.4)	.630 (16.0)	.156 (4.0)	.250 (6.4)	
04*	.437 (11.1)	.760 (19.3)	.906 (23.0)	.755 (19.2)	.188 (4.8)	.312 (7.9)	
06*	.500 (12.7)	.760 (19.3)	1.093 (27.8)	.942 (23.9)	.281 (7.1)	.438 (11.1)	
08	.563 (14.3)	.760 (19.3)	1.187 (30.1)	1.067 (27.1)	.387 (9.8)	.562 (14.3)	
10	.563 (14.3)	.760 (19.3)	1.281 (32.5)	1.192 (30.3)	.375 (9.5)	.625 (15.9)	
12	.563 (14.3)	.760 (19.3)	1.500 (38.1)	1.380 (35.1)	.438 (11.1)	.750 (19.1)	
16	.656 (16.7)	1.073 (27.3)	1.719 (43.7)	1.535 (39.0)	.625 (15.9)	.938 (23.8)	
20	.656 (16.7)	1.323 (33.6)	2.062 (52.4)	1.848 (46.9)	.875 (22.2)	1.250 (31.8)	
24	.656 (16.7)	1.323 (33.6)	2.312 (58.7)	2.255 (57.3)	1.000 (25.4)	1.375 (34.9)	
28	1.188 (30.2)	1.572 (39.9)	2.719 (69.1)	2.505 (63.6)	1.250 (31.8)	1.625 (41.3)	

\* Not available in Style M clamp. \*\* Not Applicable Style D

1. When maximum cable entry (page 21) is exceeded, Style 2 will be supplied. Dimensions F, G, H and J will not apply. Please consult factory.
2. Metric dimensions (mm) are indicated in parentheses.
3. O-Ring not supplied with Connector Designator A.
4. Backshells supplied with 600-052-\* band, see Glenair Series 600 Tool Catalog for installation.

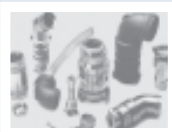
# Corrosion resistance and weight reduction high on your list?



## Upgrade to Glenair's composite thermoplastic backshells and accessories.

For most applications, backshells and accessories made from aluminum, stainless and carbon steel are recommended. But for applications where additional weight savings and corrosion resistance are required, many customers are now specifying composite thermoplastic materials.

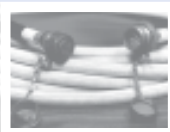
Glenair is the recognized leader in composite thermoplastic research and development for the interconnect accessory industry. In fact, no one else has tooled even a small fraction of the composite products available today from Glenair—in stock and ready for same-day shipment.



Commercial and Mil Spec connector accessories



Convuluted tubing and metal-core conduit



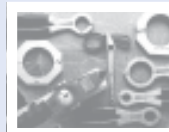
Electrical and fiber optic cable assemblies



Composite thermoplastic components



Microminiature connectors and accessories



Backshell assembly and termination tools



1211 Air Way

Glendale, California 91201-2497

Telephone: 818-247-6000 · Facsimilie: 818-500-9912 · EMail: sales@glenair.com

United States · United Kingdom · Germany · Nordic · France · Italy · Spain  
www.glenair.com



## PRODUCT FEATURES

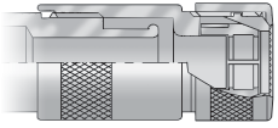
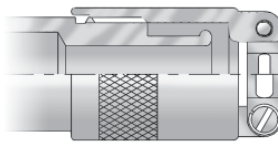
- Unique EMI/RFI Backshell Design Features an Enclosed Banding Porch
- Rotatable, Self-Locking and Direct Coupling Styles
- Standard and Full-Radius Designs
- Straight, 45°, 90° and Split-Shell Configurations
- Selection of Strain-Relief Styles

The convenience of banding with enhanced mechanical protection and strain-relief

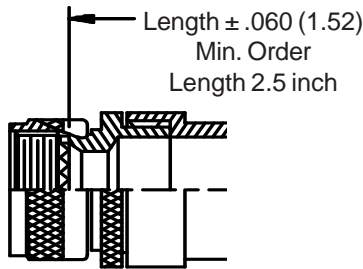
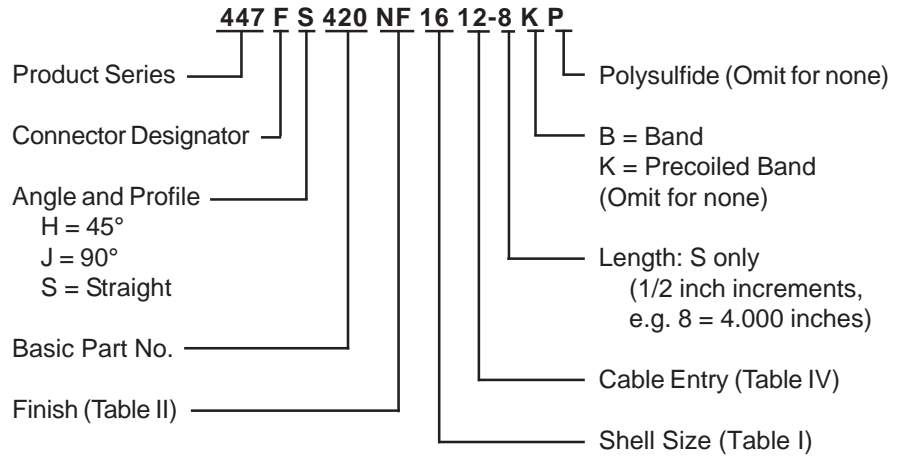
***Band-in-a-Can design adds strain-relief and enhanced mechanical protection to popular banding backshells***

A banding backshell assembly, that utilizes a secondary adapter that covers the banding area, along with providing options for strain relief. This backshell combines the efficiency and convenience of band style shield termination with a protective backshell which protects the shield termination area from damage due to rough handling and provides for robust cable strain-relief. Recommended for use in severe application environments where banding is the preferred shield termination technology.

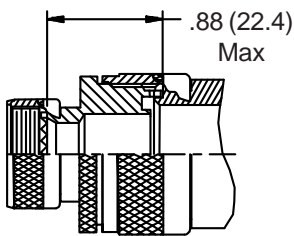
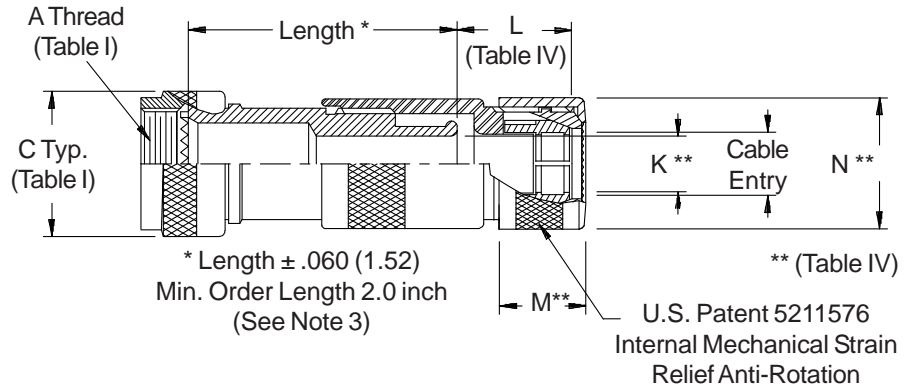
## Quick Page Number Reference Guide

Cable Entry Design	Coupling Type	Connector Designator	Page Number			
			Straight	Standard Profile Elbows	Full Radius Profile Elbows	Split-Shell Elbows
 <b>QwikClamp Style Strain-Relief</b>	Rotatable 447-420	A F H L S	447-2	447-2		
	Self-Locking Rotatable 447-421	A F H L S	447-4	447-4		
 <b>Cable Clamp Style Strain-Relief</b>	Rotatable 447-425	A F H L S	447-6	447-6	447-8	447-10
	Direct 447-426	All	447-12	447-12		447-14
	Self-Locking Rotatable 447-427	A F H L S	447-16	447-16	447-18	447-20

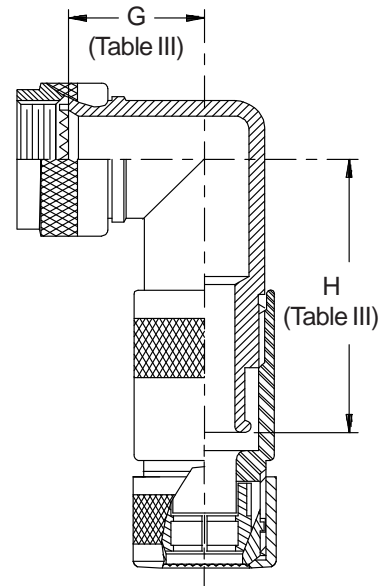
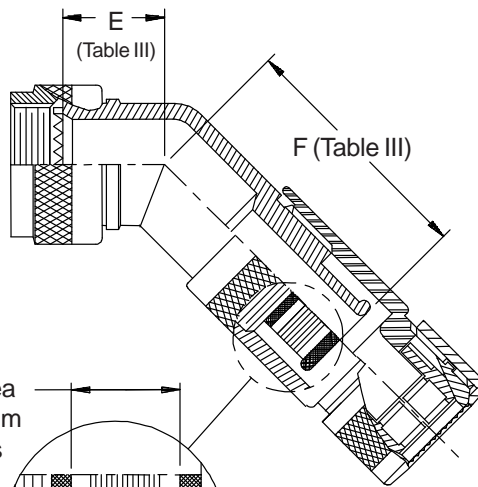
**CONNECTOR DESIGNATORS**  
**A-F-H-L-S**  
**ROTATABLE COUPLING**



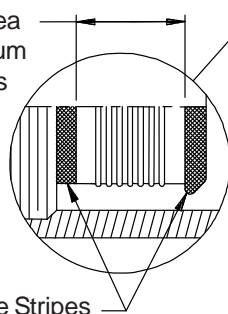
**STYLE 2 (STRAIGHT)**  
 See Note 1)



**STYLE 2 (45° & 90°)**  
 See Note 1)



Termination Area Free of Cadmium  
 Knurl or Ridges  
 Mfr's Option





**447-420**  
**EMI/RFI Non-Environmental Band-in-a-Can Backshell**  
**with QwikClamp Strain-Relief**  
**Rotatable Coupling - Standard Profile**



See inside back cover fold-out or pages 13 and 14 for Tables I and II.

**TABLE III: ELBOW DIMENSIONS**

Shell Size		E Max	F Max	G Max	H Max
Conn. Desig.	H				
A-F-L-S	H				
08	09	.639 (16.2)	1.380 (35.1)	.750 (19.1)	1.500 (38.1)
10	11	.664 (16.9)	1.410 (35.8)	.810 (20.6)	1.550 (39.4)
12	13	.688 (17.5)	1.430 (36.3)	.870 (22.1)	1.610 (40.9)
14	15	.705 (17.9)	1.460 (37.1)	.920 (23.4)	1.680 (42.7)
16	17	.732 (18.6)	1.480 (37.6)	.980 (24.9)	1.740 (44.2)
18	19	.748 (19.0)	1.490 (37.8)	1.020 (25.9)	1.760 (44.7)
20	21	.773 (19.6)	1.510 (38.4)	1.080 (27.4)	1.820 (46.2)
22	23	.800 (20.3)	1.550 (39.4)	1.140 (29.0)	1.900 (48.3)
24	25	.823 (20.9)	1.580 (40.1)	1.200 (30.5)	1.970 (50.0)

**TABLE IV: CABLE ENTRY**

Dash No.	Clamp Size (Ref)	K Dia	L Max	M Max	N Max	Cable Range	
						Min	Max
02	08	.125 (3.2)	.970 (24.6)	.530 (13.5)	.720 (18.3)	.100 (2.5)	.250 (6.4)
03	08	.188 (4.8)	.970 (24.6)	.530 (13.5)	.720 (18.3)	.098 (2.5)	.200 (5.1)
04	08	.250 (6.4)	.970 (24.6)	.530 (13.5)	.720 (18.3)	.098 (2.5)	.250 (6.4)
05	12	.312 (7.9)	1.110 (28.2)	.710 (18.0)	.910 (23.1)	.203 (5.2)	.375 (9.5)
06	12	.375 (9.5)	1.110 (28.2)	.710 (18.0)	.910 (23.1)	.203 (5.2)	.375 (9.5)
07	16	.438 (11.1)	1.210 (30.7)	.720 (18.3)	1.090 (27.7)	.328 (8.3)	.500 (12.7)
08	16	.500 (12.7)	1.210 (30.7)	.720 (18.3)	1.090 (27.7)	.328 (8.3)	.500 (12.7)
09	20	.562 (14.3)	1.210 (30.7)	.720 (18.3)	1.220 (31.0)	.452 (11.5)	.625 (15.9)
10	20	.625 (15.9)	1.210 (30.7)	.720 (18.3)	1.220 (31.0)	.452 (11.5)	.625 (15.9)
11	24	.688 (17.5)	1.210 (30.7)	.660 (16.8)	1.340 (34.0)	.515 (13.1)	.750 (19.1)
12	24	.750 (19.1)	1.360 (34.5)	.660 (16.8)	1.340 (34.0)	.515 (13.1)	.750 (19.1)
13	28	.812 (20.6)	1.360 (34.5)	.790 (20.1)	1.530 (38.9)	.640 (16.3)	.875 (22.2)
14	28	.875 (22.2)	1.510 (38.4)	.790 (20.1)	1.530 (38.9)	.640 (16.3)	.875 (22.2)
15	32	.938 (23.8)	1.510 (38.4)	.870 (22.1)	1.720 (43.7)	.765 (19.4)	1.000 (25.4)
16	32	1.000 (25.4)	1.510 (38.4)	.870 (22.1)	1.720 (43.7)	.765 (19.4)	1.000 (25.4)
17	36	1.062 (27.0)	1.510 (38.4)	.830 (21.1)	1.850 (47.0)	.859 (21.8)	1.125 (28.6)
18	36	1.125 (28.6)	1.510 (38.4)	.830 (21.1)	1.850 (47.0)	.859 (21.8)	1.125 (28.6)
20	40	1.250 (31.8)	1.510 (38.4)	.820 (20.8)	1.970 (50.0)	.984 (25.0)	1.250 (31.8)
22	44	1.375 (34.9)	1.510 (38.4)	.910 (23.1)	2.090 (53.1)	1.125 (28.6)	1.375 (34.9)
24	48	1.500 (38.1)	1.510 (38.4)	.900 (22.9)	2.280 (57.9)	1.250 (31.8)	1.500 (38.1)

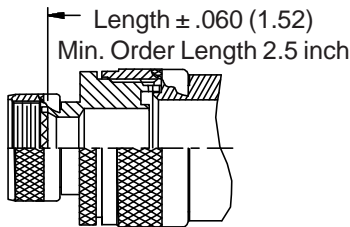
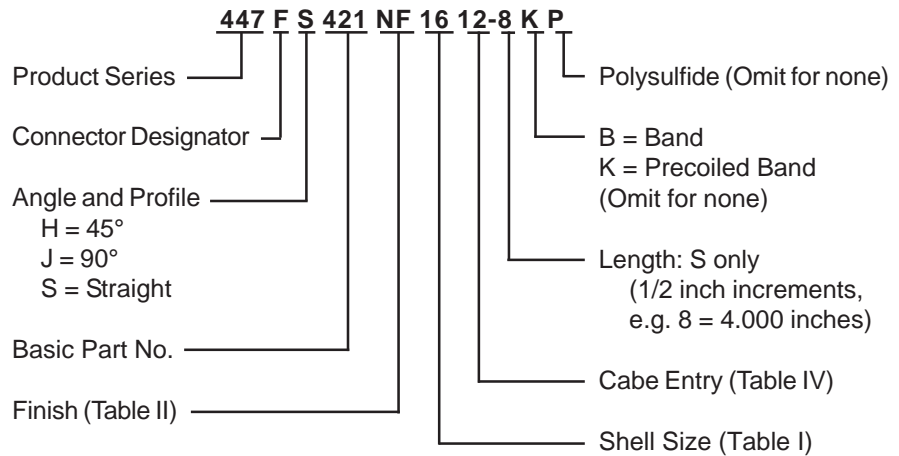
- When maximum cable entry (page 21) is exceeded, Style 2 will be supplied.  
Dimensions E, F, G, and H will not apply. Please consult factory.
- Metric dimensions (mm) are indicated in parentheses.
- Consult factory for shorter lengths on straight backshells.
- Backshells supplied with 600-052-\* band, see Glenair Series 600 Tool Catalog for installation.

**-445** Now Available with the "NESTOR"

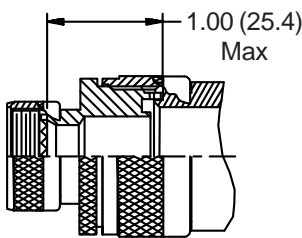
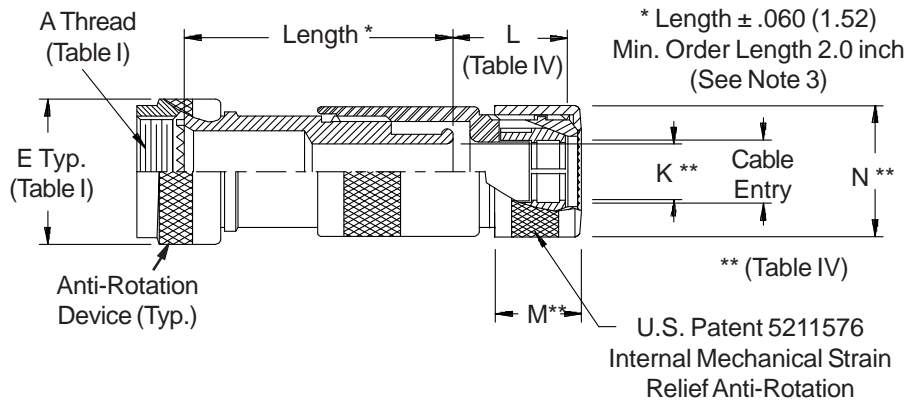
Add "-445" to Specify Glenair's Non-Detent, Spring-Loaded, Self-Locking Coupling. See Page 41 for Details.



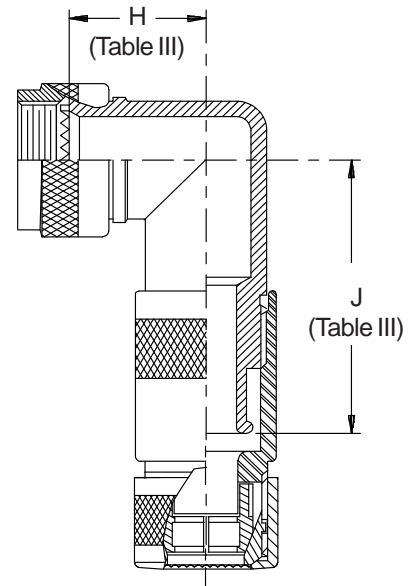
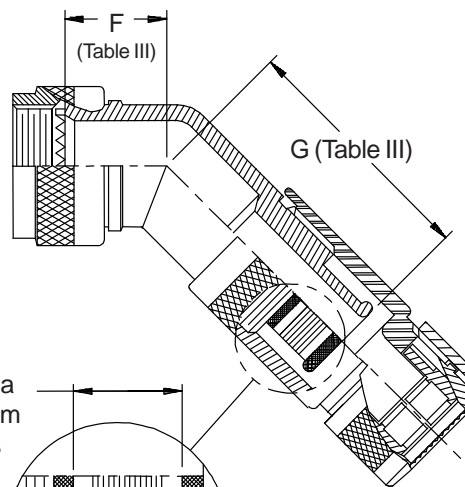
**CONNECTOR  
 DESIGNATORS  
 A-F-H-L-S  
 SELF-LOCKING  
 ROTATABLE  
 COUPLING**



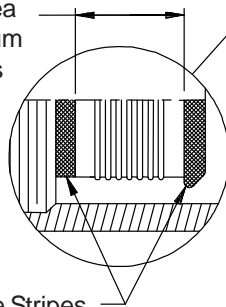
**STYLE 2  
 (STRAIGHT  
 See Note 1)**



**STYLE 2  
 (45° & 90°  
 See Note 1)**



Termination Area  
 Free of Cadmium  
 Knurl or Ridges  
 Mfr's Option



See inside back cover fold-out or pages 13 and 14 for  
Tables I and II.

TABLE III: ELBOW DIMENSIONS

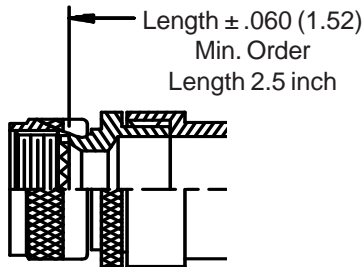
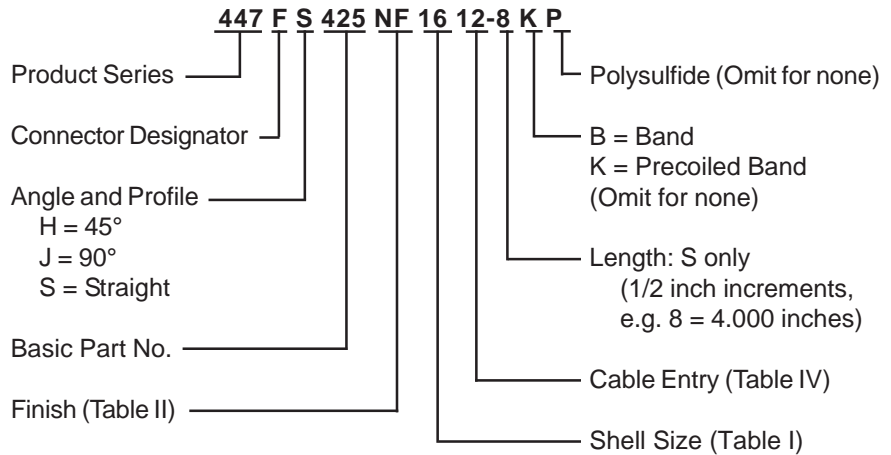
Shell Size		F		G		H		J	
Conn. Desig.	H	Max	(mm)	Max	(mm)	Max	(mm)	Max	(mm)
A-F-L-S									
08	09	.795	(20.2)	1.380	(35.1)	.906	(23.0)	1.500	(38.1)
10	11	.820	(20.8)	1.410	(35.8)	.966	(24.5)	1.550	(39.4)
12	13	.844	(21.4)	1.430	(36.3)	1.026	(26.1)	1.610	(40.9)
14	15	.861	(21.9)	1.460	(37.1)	1.076	(27.3)	1.680	(42.7)
16	17	.888	(22.6)	1.480	(37.6)	1.136	(28.9)	1.740	(44.2)
18	19	.904	(23.0)	1.490	(37.8)	1.176	(29.9)	1.760	(44.7)
20	21	.929	(23.6)	1.510	(38.4)	1.236	(31.4)	1.820	(46.2)
22	23	.956	(24.3)	1.550	(39.4)	1.296	(32.9)	1.900	(48.3)
24	25	.979	(24.9)	1.580	(40.1)	1.356	(34.4)	1.970	(50.0)

TABLE IV: CABLE RANGE

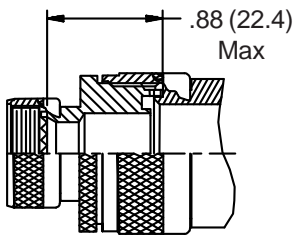
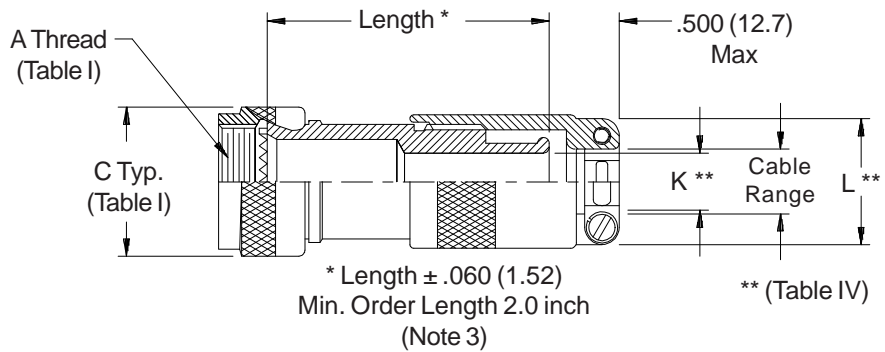
Dash No.	Clamp Size (Ref)	K Dia	L Max	M Max	N Max	Cable Range	
						Min	Max
02	08	.125 (3.2)	.970 (24.6)	.530 (13.5)	.720 (18.3)	.100 (2.5)	.250 (6.4)
03	08	.188 (4.8)	.970 (24.6)	.530 (13.5)	.720 (18.3)	.098 (2.5)	.200 (5.1)
04	08	.250 (6.4)	.970 (24.6)	.530 (13.5)	.720 (18.3)	.098 (2.5)	.250 (6.4)
05	12	.312 (7.9)	1.110 (28.2)	.710 (18.0)	.910 (23.1)	.203 (5.2)	.375 (9.5)
06	12	.375 (9.5)	1.110 (28.2)	.710 (18.0)	.910 (23.1)	.203 (5.2)	.375 (9.5)
07	16	.438 (11.1)	1.210 (30.7)	.720 (18.3)	1.090 (27.7)	.328 (8.3)	.500 (12.7)
08	16	.500 (12.7)	1.210 (30.7)	.720 (18.3)	1.090 (27.7)	.328 (8.3)	.500 (12.7)
09	20	.562 (14.3)	1.210 (30.7)	.720 (18.3)	1.220 (31.0)	.452 (11.5)	.625 (15.9)
10	20	.625 (15.9)	1.210 (30.7)	.720 (18.3)	1.220 (31.0)	.452 (11.5)	.625 (15.9)
11	24	.688 (17.5)	1.210 (30.7)	.660 (16.8)	1.340 (34.0)	.515 (13.1)	.750 (19.1)
12	24	.750 (19.1)	1.360 (34.5)	.660 (16.8)	1.340 (34.0)	.515 (13.1)	.750 (19.1)
13	28	.812 (20.6)	1.360 (34.5)	.790 (20.1)	1.530 (38.9)	.640 (16.3)	.875 (22.2)
14	28	.875 (22.2)	1.510 (38.4)	.790 (20.1)	1.530 (38.9)	.640 (16.3)	.875 (22.2)
15	32	.938 (23.8)	1.510 (38.4)	.870 (22.1)	1.720 (43.7)	.765 (19.4)	1.000 (25.4)
16	32	1.000 (25.4)	1.510 (38.4)	.870 (22.1)	1.720 (43.7)	.765 (19.4)	1.000 (25.4)
17	36	1.062 (27.0)	1.510 (38.4)	.830 (21.1)	1.850 (47.0)	.859 (21.8)	1.125 (28.6)
18	36	1.125 (28.6)	1.510 (38.4)	.830 (21.1)	1.850 (47.0)	.859 (21.8)	1.125 (28.6)
20	40	1.250 (31.8)	1.510 (38.4)	.820 (20.8)	1.970 (50.0)	.984 (25.0)	1.250 (31.8)
22	44	1.375 (34.9)	1.510 (38.4)	.910 (23.1)	2.090 (53.1)	1.125 (28.6)	1.375 (34.9)
24	48	1.500 (38.1)	1.510 (38.4)	.900 (22.9)	2.280 (57.9)	1.250 (31.8)	1.500 (38.1)

1. When maximum cable entry (page 21) is exceeded, Style 2 will be supplied. Dimensions F, G, H and J will not apply. Please consult factory.
2. Metric dimensions (mm) are indicated in parentheses.
3. Consult factory for shorter lengths on straight backshells.
4. Backshells supplied with 600-052-\* band, see Glenair Series 600 Tool Catalog for installation.

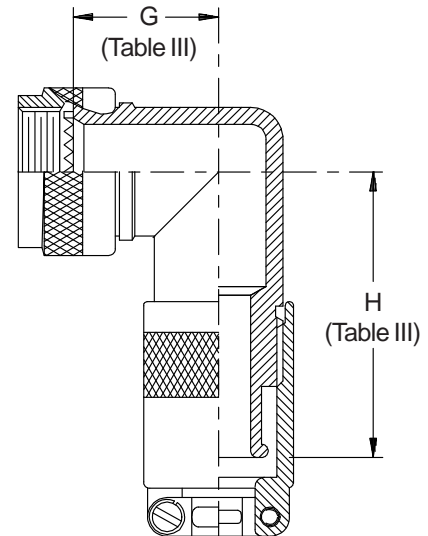
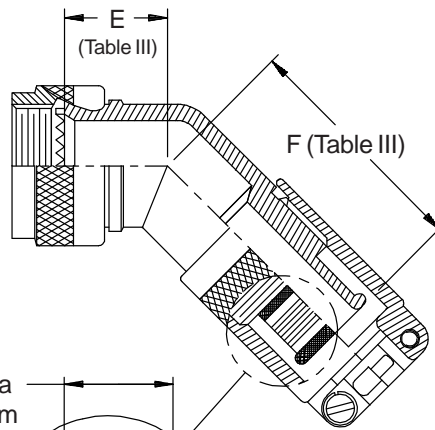
**CONNECTOR  
DESIGNATORS  
A-F-H-L-S  
ROTATABLE  
COUPLING**



**STYLE 2  
(STRAIGHT  
See Note 1)**



**STYLE 2  
(45° & 90°  
See Note 1)**



Termination Area  
Free of Cadmium  
Knurl or Ridges  
Mfr's Option

Polysulfide Stripes  
P Option

See inside back cover fold-out or pages 13 and 14 for Tables I and II.

TABLE III: ELBOW DIMENSIONS									
Shell Size		E		F		G		H	
Conn. Desig.	H	Max		Max		Max		Max	
A-F-L-S									
08	09	.639	(16.2)	1.380	(35.1)	.750	(19.1)	1.500	(38.1)
10	11	.664	(16.9)	1.410	(35.8)	.810	(20.6)	1.550	(39.4)
12	13	.688	(17.5)	1.430	(36.3)	.870	(22.1)	1.610	(40.9)
14	15	.705	(17.9)	1.460	(37.1)	.920	(23.4)	1.680	(42.7)
16	17	.732	(18.6)	1.480	(37.6)	.980	(24.9)	1.740	(44.2)
18	19	.748	(19.0)	1.490	(37.8)	1.020	(25.9)	1.760	(44.7)
20	21	.773	(19.6)	1.510	(38.4)	1.080	(27.4)	1.820	(46.2)
22	23	.800	(20.3)	1.550	(39.4)	1.140	(29.0)	1.900	(48.3)
24	25	.823	(20.9)	1.580	(40.1)	1.200	(30.5)	1.970	(50.0)

TABLE IV: CABLE ENTRY							
Dash No.	K		L Max	Cable Range			
	±.030	±(.8)		Min	Max	Min	Max
10	.220	(5.6)	1.000 (25.4)	.130 (3.3)	.250 (6.4)		
12	.310	(7.9)	1.250 (31.8)	.250 (6.4)	.380 (9.7)		
14	.440	(11.2)	1.340 (34.0)	.310 (7.9)	.440 (11.2)		
16	.560	(14.2)	1.470 (37.3)	.375 (9.5)	.630 (16.0)		
18	.630	(16.0)	1.560 (39.6)	.560 (14.2)	.690 (17.5)		
20	.750	(19.1)	1.620 (41.1)	.630 (16.0)	.750 (19.1)		
22	.880	(22.4)	1.750 (44.5)	.750 (19.1)	.880 (22.4)		
24	1.000	(25.4)	1.870 (47.5)	.880 (22.4)	1.000 (25.4)		
28	1.060	(26.9)	1.970 (50.0)	1.000 (25.4)	1.130 (28.7)		
32	1.190	(30.2)	2.090 (53.1)	1.130 (28.7)	1.250 (31.8)		

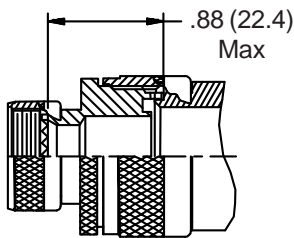
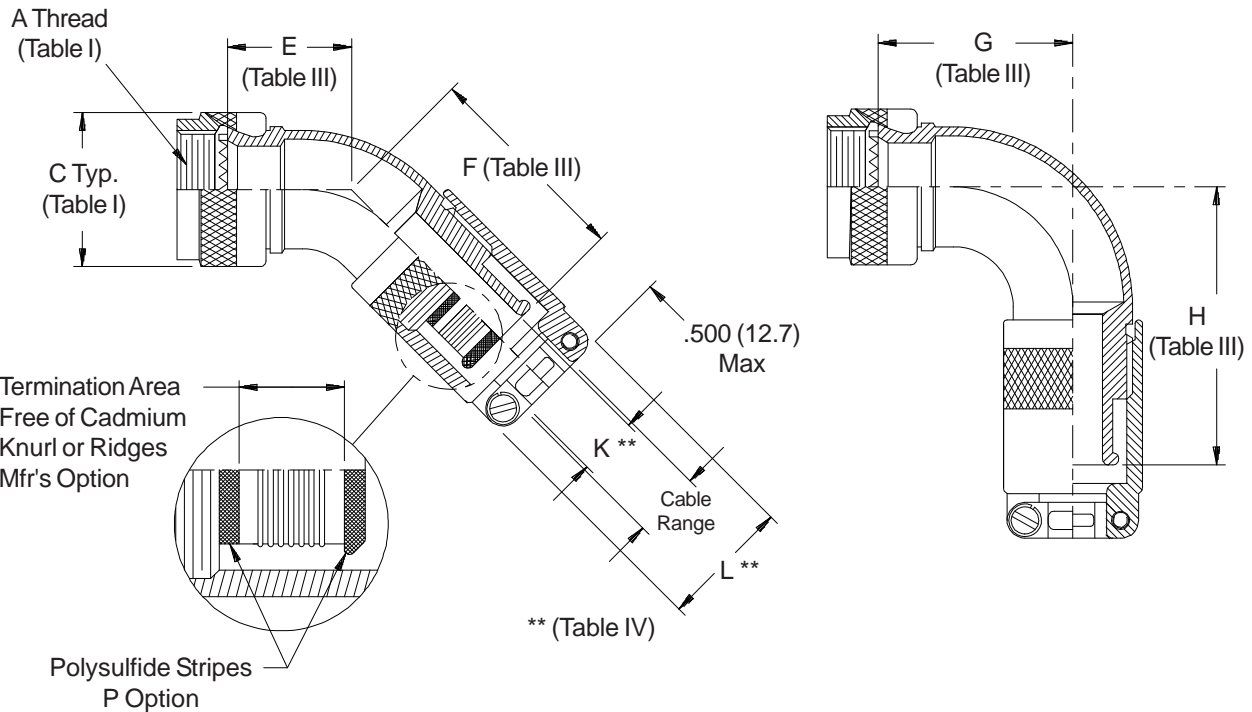
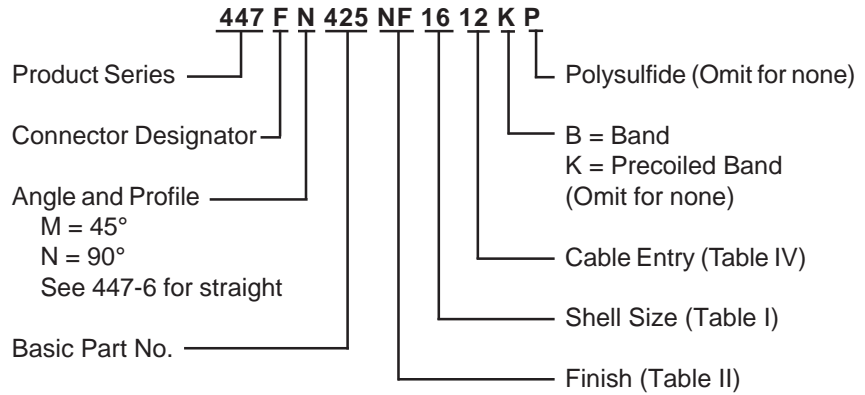
1. When maximum cable entry (page 21) is exceeded, Style 2 will be supplied. Dimensions E, F, G, and H will not apply. Please consult factory.
2. Metric dimensions (mm) are indicated in parentheses.
3. Consult factory for shorter lengths on straight backshells.
4. Backshells supplied with 600-052-\* band, see Glenair Series 600 Tool Catalog for installation.

-445

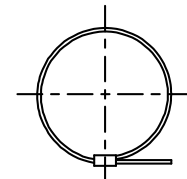
Now Available with the "NESTOR"

**Add "-445" to Specify Glenair's Non-Detent, Spring-Loaded, Self-Locking Coupling. See Page 41 for Details.**

**CONNECTOR  
DESIGNATORS  
A-F-H-L-S  
ROTATABLE  
COUPLING**



**STYLE 2  
(See Note 1)**



Band Option  
(K Option Shown -  
See Note 3)

See inside back cover fold-out or pages 13 and 14 for Tables I and II.

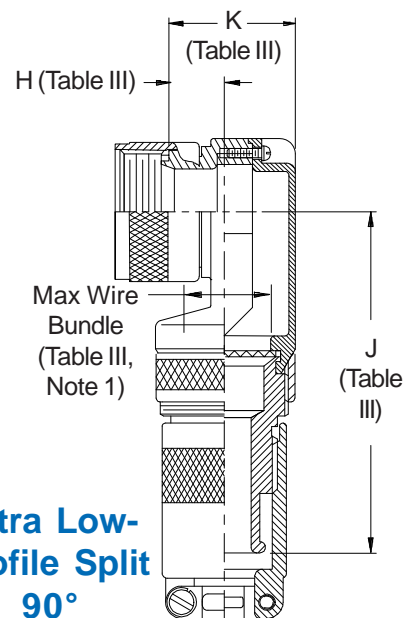
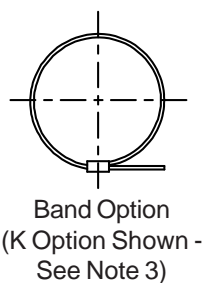
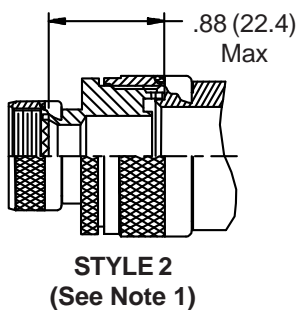
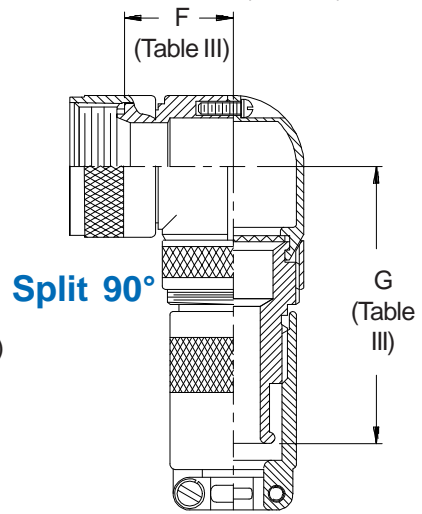
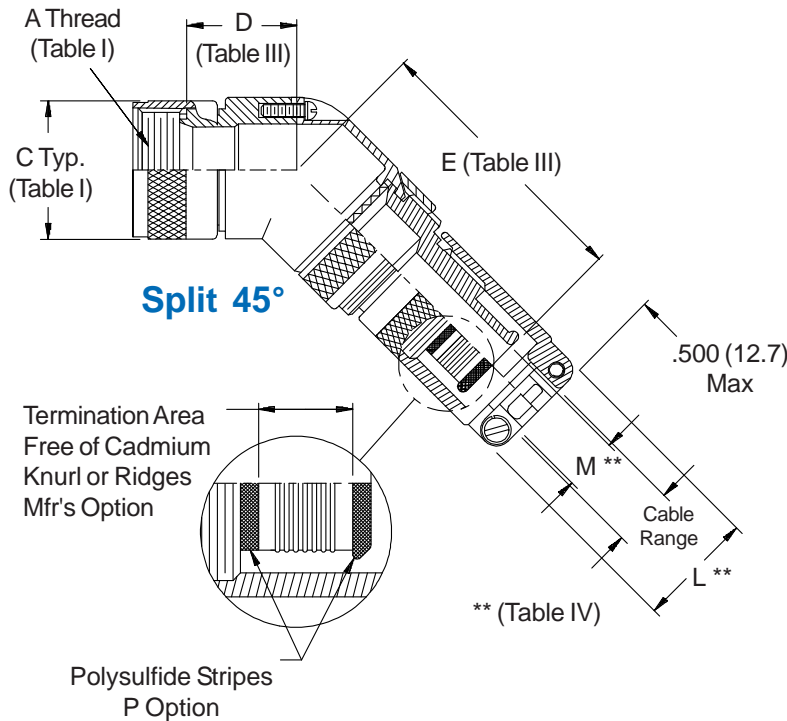
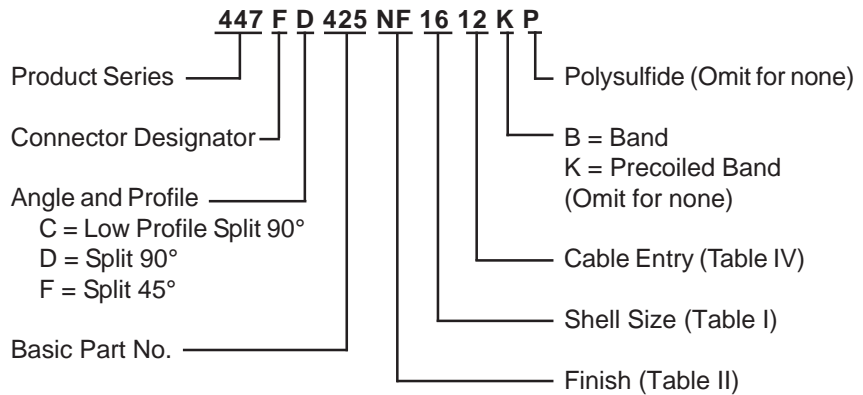
<b>TABLE III: ELBOW DIMENSIONS</b>									
<b>Shell Size</b>		<b>E</b>		<b>F</b>		<b>G</b>		<b>H</b>	
<b>Conn. Desig.</b>	<b>A-F-L-S</b>	<b>H</b>	<b>Max</b>	<b>Max</b>	<b>Max</b>	<b>Max</b>	<b>Max</b>	<b>Max</b>	<b>Max</b>
08	09		.817 (20.8)	1.057 (26.8)	1.125 (28.6)	1.375 (34.9)			
10	11		.861 (21.9)	1.111 (28.2)	1.250 (31.8)	1.500 (38.1)			
12	13		.911 (23.1)	1.161 (29.5)	1.375 (34.9)	1.625 (41.3)			
14	15		.965 (24.5)	1.215 (30.9)	1.500 (38.1)	1.750 (44.5)			
16	17		1.014 (25.8)	1.264 (32.1)	1.625 (41.3)	1.875 (47.6)			
18	19		1.064 (27.0)	1.314 (33.4)	1.750 (44.5)	2.000 (50.8)			
20	21		1.118 (28.4)	1.368 (34.7)	1.875 (47.6)	2.125 (54.0)			
22	23		1.172 (29.8)	1.422 (36.1)	2.000 (50.8)	2.250 (57.2)			
24	25		1.221 (31.0)	1.471 (37.4)	2.125 (54.0)	2.375 (60.3)			

<b>TABLE IV: CABLE RANGE</b>							
<b>Dash No.</b>	<b>K</b>		<b>L</b>		<b>Cable Range</b>		
	<b>±.030</b>	<b>±(.8)</b>	<b>Max</b>	<b>Max</b>	<b>Min</b>	<b>Max</b>	<b>Max</b>
10	.220	(5.6)	1.000	(25.4)	.130	(3.3)	.250 (6.4)
12	.310	(7.9)	1.250	(31.8)	.250	(6.4)	.380 (9.7)
14	.440	(11.2)	1.340	(34.0)	.310	(7.9)	.440 (11.2)
16	.560	(14.2)	1.470	(37.3)	.375	(9.5)	.630 (16.0)
18	.630	(16.0)	1.560	(39.6)	.560	(14.2)	.690 (17.5)
20	.750	(19.1)	1.620	(41.1)	.630	(16.0)	.750 (19.1)
22	.880	(22.4)	1.750	(44.5)	.750	(19.1)	.880 (22.4)
24	1.000	(25.4)	1.870	(47.5)	.880	(22.4)	1.000 (25.4)
28	1.060	(26.9)	1.970	(50.0)	1.000	(25.4)	1.130 (28.7)
32	1.190	(30.2)	2.090	(53.1)	1.130	(28.7)	1.250 (31.8)

1. When maximum cable entry (page 21) is exceeded, Style 2 will be supplied. Dimensions E, F, G, and H will not apply. Please consult factory.
2. Metric dimensions (mm) are indicated in parentheses.
3. Backshells supplied with 600-052-\* band, see Glenair Series 600 Tool Catalog for installation.



**CONNECTOR  
 DESIGNATORS  
 A-F-H-L-S  
 ROTATABLE  
 COUPLING**



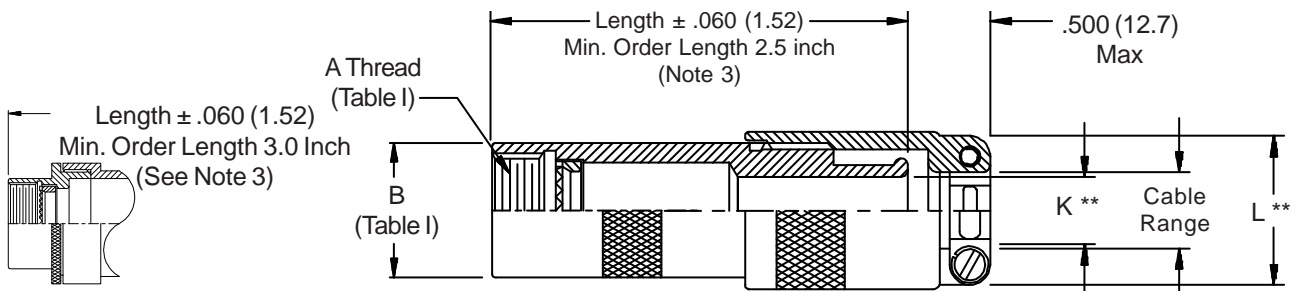
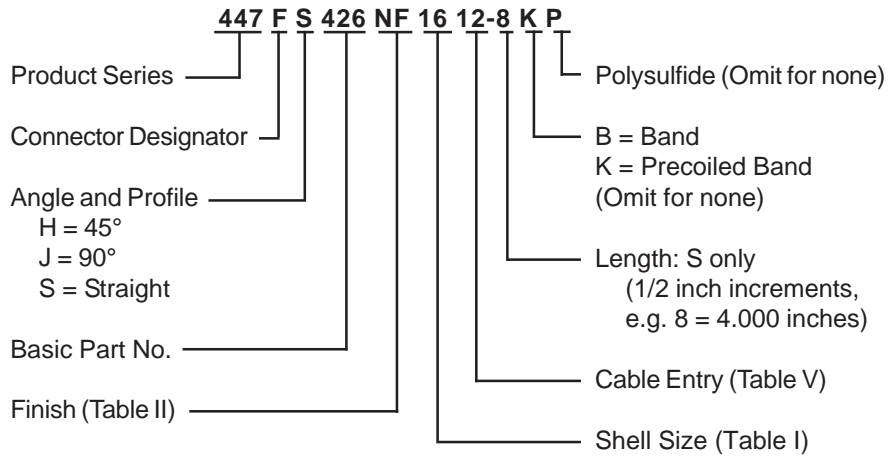
See inside back cover fold-out or pages 13 and 14 for Tables I and II.

<b>TABLE III: ELBOW DIMENSIONS</b>								
Shell Size	D Max	E Max	F Max	G Max	H Ref	J Max	K Max	Function C Max Wire Bundle
08/09	.440 (11.2)	1.840 (46.7)	.680 (17.3)	1.780 (45.2)	.340 (8.6)	2.120 (53.8)	.681 (17.3)	.250 (6.4)
10/11	.500 (12.7)	1.900 (48.3)	.750 (19.1)	1.840 (46.7)	.270 (6.9)	2.280 (57.9)	.731 (18.6)	.375 (9.5)
12/13	.560 (14.2)	1.970 (50.0)	.810 (20.6)	1.910 (48.5)	.270 (6.9)	2.280 (57.9)	.731 (18.6)	.375 (9.5)
14/15	.620 (15.7)	2.000 (50.8)	.870 (22.1)	1.940 (49.3)	.280 (7.1)	2.350 (59.7)	.831 (21.1)	.500 (12.7)
16/17	.680 (17.3)	2.100 (53.3)	.930 (23.6)	2.040 (51.8)	.420 (10.7)	2.400 (61.0)	.981 (24.9)	.625 (15.9)
18/19	.750 (19.1)	2.160 (54.9)	1.000 (25.4)	2.100 (53.3)	.640 (16.3)	2.430 (61.7)	1.181 (30.0)	.625 (15.9)
20/21	.820 (20.8)	2.220 (56.4)	1.060 (26.9)	2.160 (54.9)	.640 (16.3)	2.430 (61.7)	1.181 (30.0)	.625 (15.9)
22/23	.880 (22.4)	2.280 (57.9)	1.120 (28.4)	2.220 (56.4)	.540 (13.7)	2.580 (65.5)	1.181 (30.0)	.750 (19.1)
24/25	.940 (23.9)	2.340 (59.4)	1.180 (30.0)	2.280 (57.9)	.540 (13.7)	2.580 (65.5)	1.181 (30.0)	.750 (19.1)

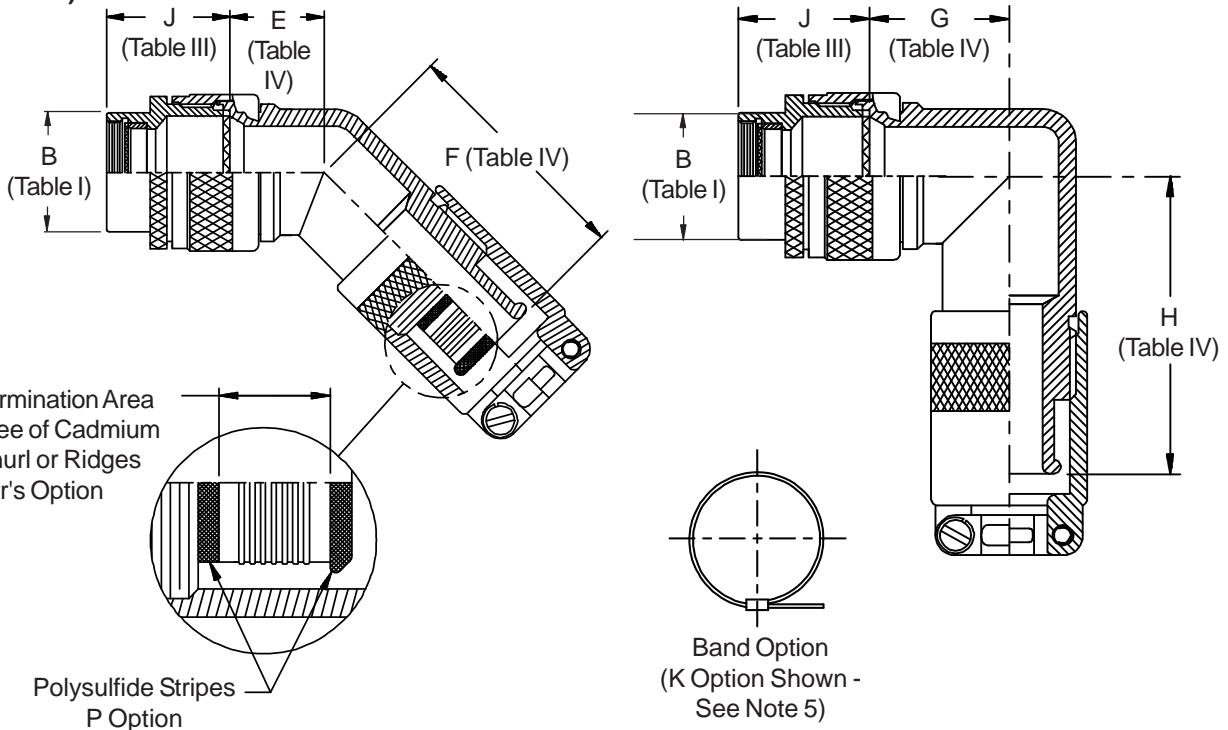
<b>TABLE IV: CABLE ENTRY</b>						
Dash No.	K		L		Cable Range	
	±.030	±(.8)	Max		Min	Max
10	.220	(5.6)	1.000	(25.4)	.130	(3.3) .250 (6.4)
12	.310	(7.9)	1.250	(31.8)	.250	(6.4) .380 (9.7)
14	.440	(11.2)	1.340	(34.0)	.310	(7.9) .440 (11.2)
16	.560	(14.2)	1.470	(37.3)	.375	(9.5) .630 (16.0)
18	.630	(16.0)	1.560	(39.6)	.560	(14.2) .690 (17.5)
20	.750	(19.1)	1.620	(41.1)	.630	(16.0) .750 (19.1)
22	.880	(22.4)	1.750	(44.5)	.750	(19.1) .880 (22.4)
24	1.000	(25.4)	1.870	(47.5)	.880	(22.4) 1.000 (25.4)
28	1.060	(26.9)	1.970	(50.0)	1.000	(25.4) 1.130 (28.7)
32	1.190	(30.2)	2.090	(53.1)	1.130	(28.7) 1.250 (31.8)

1. When maximum cable entry (page 21) is exceeded, Style 2 will be supplied (not available in Function C). Dimensions D, E, F, and G will not apply. Please consult factory.
2. Metric dimensions (mm) are indicated in parentheses.
3. Backshells supplied with 600-052-\* band, see Glenair Series 600 Tool Catalog for installation.
4. Angular function "C", low-profile split elbow, not available with "S" connector designator.

**CONNECTOR  
DESIGNATORS  
A-B\*-C-D-E-F  
G-H-J-K-L-S**  
\* Conn. Desig. B See Note 4  
**DIRECT COUPLING**



**STYLE 2  
(STRAIGHT  
See Note 1)**



**447-426**  
**EM/RFI Non-Environmental Band-in-a-Can Backshell**  
 with Cable Clamp Strain-Relief  
 Direct Coupling - Standard Profile



See inside back cover fold-out or  
 pages 13 and 14 for Tables I and II.

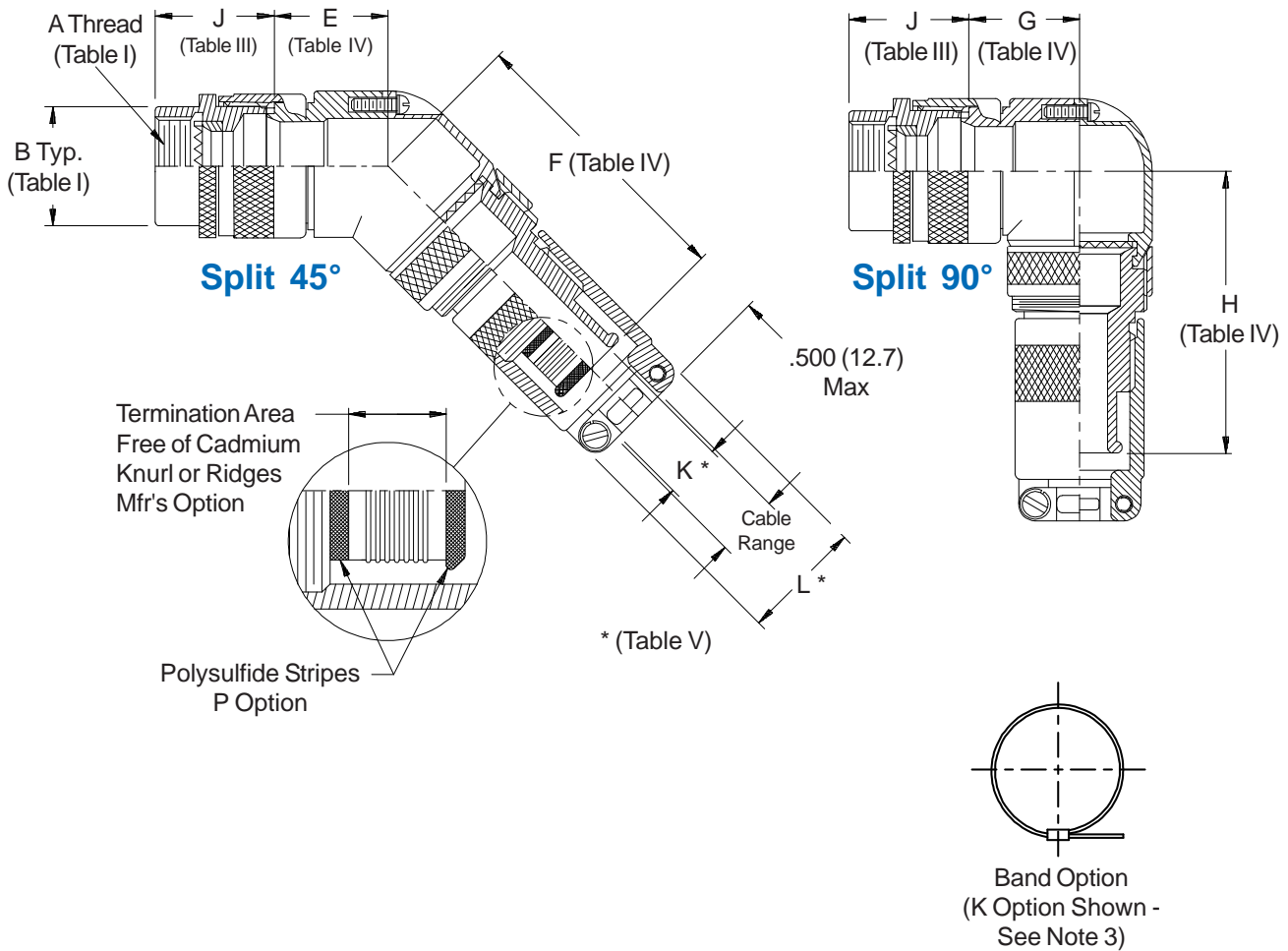
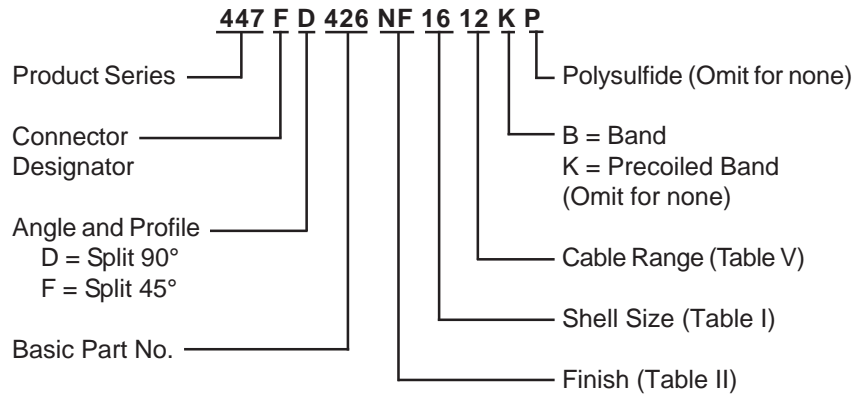
TABLE III: FRONT ADAPTER			
Shell Size	J Max - Conn. Designator		
	A-E-F	D-B-G-K	C
08/09	1.180 (30.0)	1.250 (31.8)	
10/11	1.180 (30.0)	1.250 (31.8)	
12/13	1.180 (30.0)	1.250 (31.8)	1.735 (44.1)
14/15	1.180 (30.0)	1.250 (31.8)	1.915 (48.6)
16/17	1.380 (35.0)	1.560 (39.6)	1.915 (48.6)
18/19	1.380 (35.0)	1.560 (39.6)	1.915 (48.6)
20/21	1.380 (35.0)	1.560 (39.6)	1.915 (48.6)
22/23	1.380 (35.0)	1.560 (39.6)	1.915 (48.6)
24/25	1.380 (35.0)	1.560 (39.6)	1.915 (48.6)
28/29	1.610 (40.9)	1.560 (39.6)	1.915 (48.6)
32/33	1.610 (40.9)	1.750 (44.5)	1.915 (48.6)
36	1.610 (40.9)	1.750 (44.5)	1.915 (48.6)
40	1.610 (40.9)	2.190 (55.6)	1.915 (48.6)

TABLE IV: ELBOW DIMENSIONS								
Elbow Size	E Max	F Max	G Max	H Max				
10/12	.664 (16.9)	1.410 (35.8)	.810 (20.6)	1.550 (39.4)				
14	.688 (17.5)	1.430 (36.3)	.870 (22.1)	1.610 (40.9)				
16/18	.732 (18.6)	1.480 (37.6)	.980 (24.9)	1.740 (44.2)				
20	.748 (19.0)	1.490 (37.8)	1.020 (25.9)	1.760 (44.7)				
22	.773 (19.6)	1.510 (38.4)	1.080 (27.4)	1.820 (46.2)				
24	.800 (20.3)	1.550 (39.4)	1.140 (29.0)	1.900 (48.3)				
28	.823 (20.9)	1.580 (40.1)	1.200 (30.5)	1.970 (50.0)				
32	1.041 (26.4)	1.750 (44.5)	1.480 (37.6)	2.210 (56.1)				

TABLE V: CABLE RANGE							
Dash No.	K		L Max	Cable Range			
	±.030	±(.8)		Min	Max		
10	.220 (5.6)	1.000 (25.4)	.130 (3.3)	.250 (6.4)			
12	.310 (7.9)	1.250 (31.8)	.250 (6.4)	.380 (9.7)			
14	.440 (11.2)	1.340 (34.0)	.310 (7.9)	.440 (11.2)			
16	.560 (14.2)	1.470 (37.3)	.375 (9.5)	.630 (16.0)			
18	.630 (16.0)	1.560 (39.6)	.560 (14.2)	.690 (17.5)			
20	.750 (19.1)	1.620 (41.1)	.630 (16.0)	.750 (19.1)			
22	.880 (22.4)	1.750 (44.5)	.750 (19.1)	.880 (22.4)			
24	1.000 (25.4)	1.870 (47.5)	.880 (22.4)	1.000 (25.4)			
28	1.060 (26.9)	1.970 (50.0)	1.000 (25.4)	1.130 (28.7)			
32	1.190 (30.2)	2.090 (53.1)	1.130 (28.7)	1.250 (31.8)			

1. When maximum cable entry (page 22) is exceeded, Style 2 will be supplied. (Function S only).
2. Metric dimensions (mm) are indicated in parentheses.
3. Consult factory for shorter lengths on straight backshells.
4. When using Connector Designator B refer to pages 18 and 19 for part number development.
5. Backshells supplied with 600-052-\* band, see Glenair Series 600 Tool Catalog for installation.

**CONNECTOR DESIGNATORS**  
**A-B\*-C-D-E-F**  
**G-H-J-K-L-S**  
 \* Conn. Desig. B See Note 2  
**DIRECT COUPLING**



See inside back cover fold-out or  
pages 13 and 14 for Tables I and II.

TABLE III: FRONT ADAPTER			
Shell Size	J Max - Conn. Designator		
	A-E-F		
	J-H-L-S	D-B-G-K	C
08/09	1.180 (30.0)	1.250 (31.8)	
10/11	1.180 (30.0)	1.250 (31.8)	
12/13	1.180 (30.0)	1.250 (31.8)	1.735 (44.1)
14/15	1.180 (30.0)	1.250 (31.8)	1.915 (48.6)
16/17	1.380 (35.0)	1.560 (39.6)	1.915 (48.6)
18/19	1.380 (35.0)	1.560 (39.6)	1.915 (48.6)
20/21	1.380 (35.0)	1.560 (39.6)	1.915 (48.6)
22/23	1.380 (35.0)	1.560 (39.6)	1.915 (48.6)
24/25	1.380 (35.0)	1.560 (39.6)	1.915 (48.6)
28/29	1.610 (40.9)	1.560 (39.6)	1.915 (48.6)
32/33	1.610 (40.9)	1.750 (44.5)	1.915 (48.6)
36	1.610 (40.9)	1.750 (44.5)	1.915 (48.6)
40	1.610 (40.9)	2.190 (55.6)	1.915 (48.6)

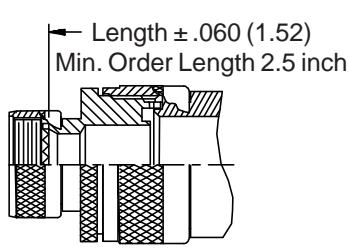
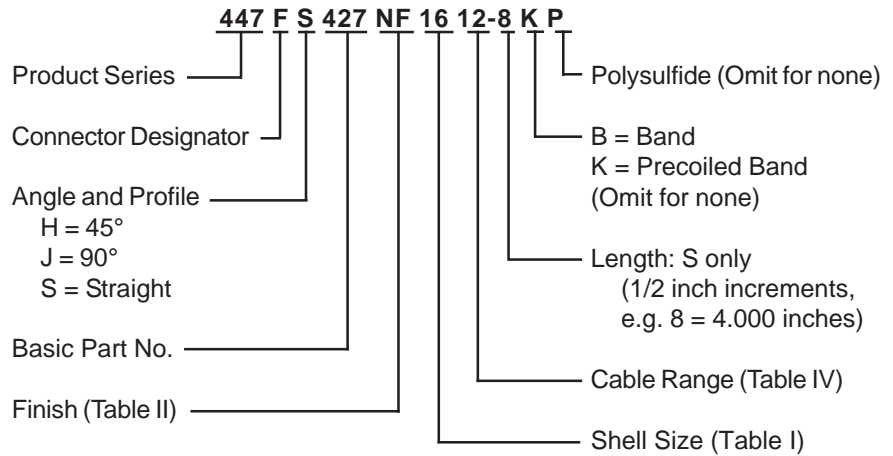
TABLE IV: ELBOW DIMENSIONS							
Elbow Size	E Max	F Max	G Max	H Max			
10/12	.500 (12.7)	1.870 (47.5)	.750 (19.1)	1.810 (46.0)			
14	.560 (14.2)	1.940 (49.3)	.810 (20.6)	1.880 (47.8)			
16/18	.680 (17.3)	2.070 (52.6)	.930 (23.6)	2.010 (51.1)			
20	.750 (19.1)	2.130 (54.1)	1.000 (25.4)	2.070 (52.6)			
22	.820 (20.8)	2.190 (55.6)	1.060 (26.9)	2.130 (54.1)			
24	.880 (22.4)	2.250 (57.2)	1.120 (28.4)	2.190 (55.6)			
28	.940 (23.9)	3.100 (78.7)	1.180 (30.0)	2.250 (57.2)			
32	.990 (25.1)	2.400 (61.0)	1.340 (34.0)	2.410 (61.2)			

TABLE V: CABLE RANGE							
Dash No.	K		L Max	Cable Range			
	±.030	±(.8)		Min	Max		
10	.220 (5.6)	1.000 (25.4)	.130 (3.3)	.250 (6.4)			
12	.310 (7.9)	1.250 (31.8)	.250 (6.4)	.380 (9.7)			
14	.440 (11.2)	1.340 (34.0)	.310 (7.9)	.440 (11.2)			
16	.560 (14.2)	1.470 (37.3)	.375 (9.5)	.630 (16.0)			
18	.630 (16.0)	1.560 (39.6)	.560 (14.2)	.690 (17.5)			
20	.750 (19.1)	1.620 (41.1)	.630 (16.0)	.750 (19.1)			
22	.880 (22.4)	1.750 (44.5)	.750 (19.1)	.880 (22.4)			
24	1.000 (25.4)	1.870 (47.5)	.880 (22.4)	1.000 (25.4)			
28	1.060 (26.9)	1.970 (50.0)	1.000 (25.4)	1.130 (28.7)			
32	1.190 (30.2)	2.090 (53.1)	1.130 (28.7)	1.250 (31.8)			

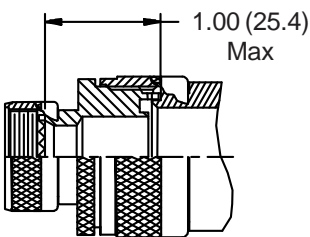
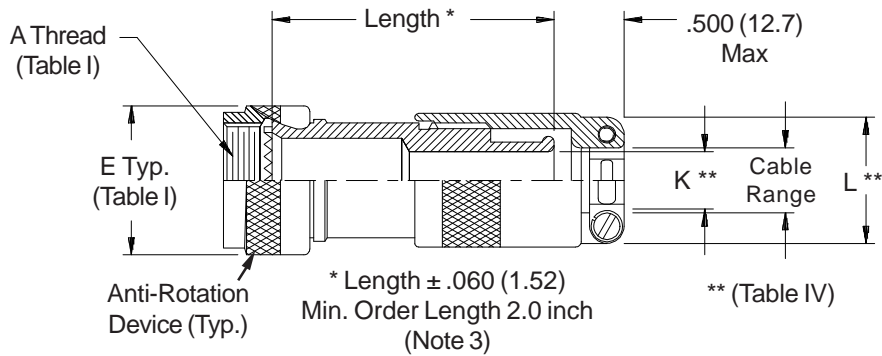
1. Metric dimensions (mm) are indicated in parentheses.
2. When using Connector Designator B refer to pages 18 and 19 for part number development.
3. Backshells supplied with 600-052-\* band, see Glenair Series 600 Tool Catalog for installation.



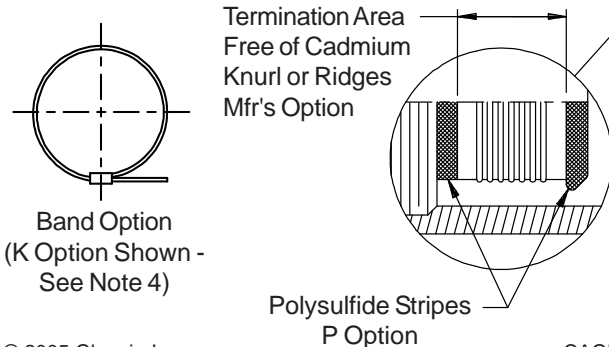
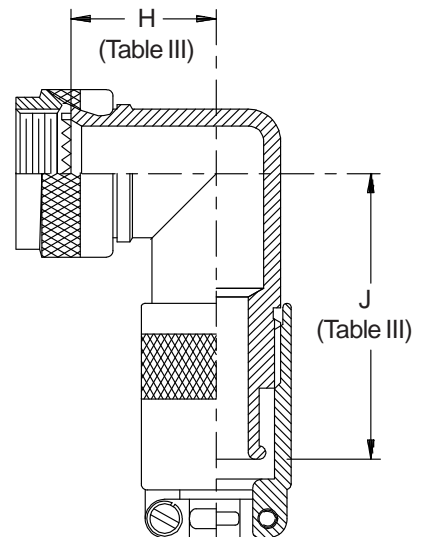
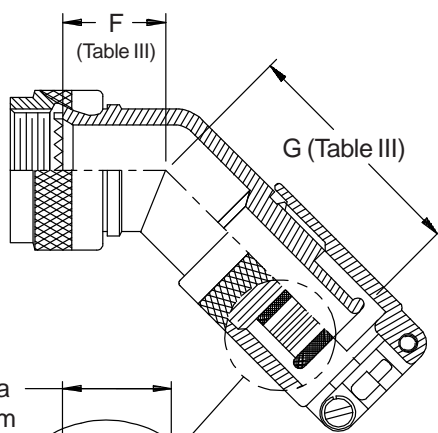
**CONNECTOR  
DESIGNATORS  
A-F-H-L-S  
SELF-LOCKING  
ROTATABLE  
COUPLING**



**STYLE 2  
(STRAIGHT  
See Note 1)**



**STYLE 2  
(45° & 90°  
See Note 1)**



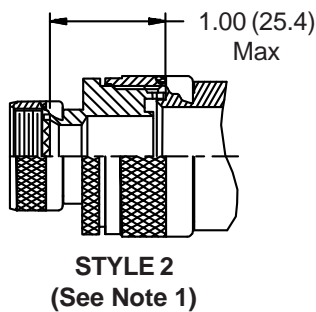
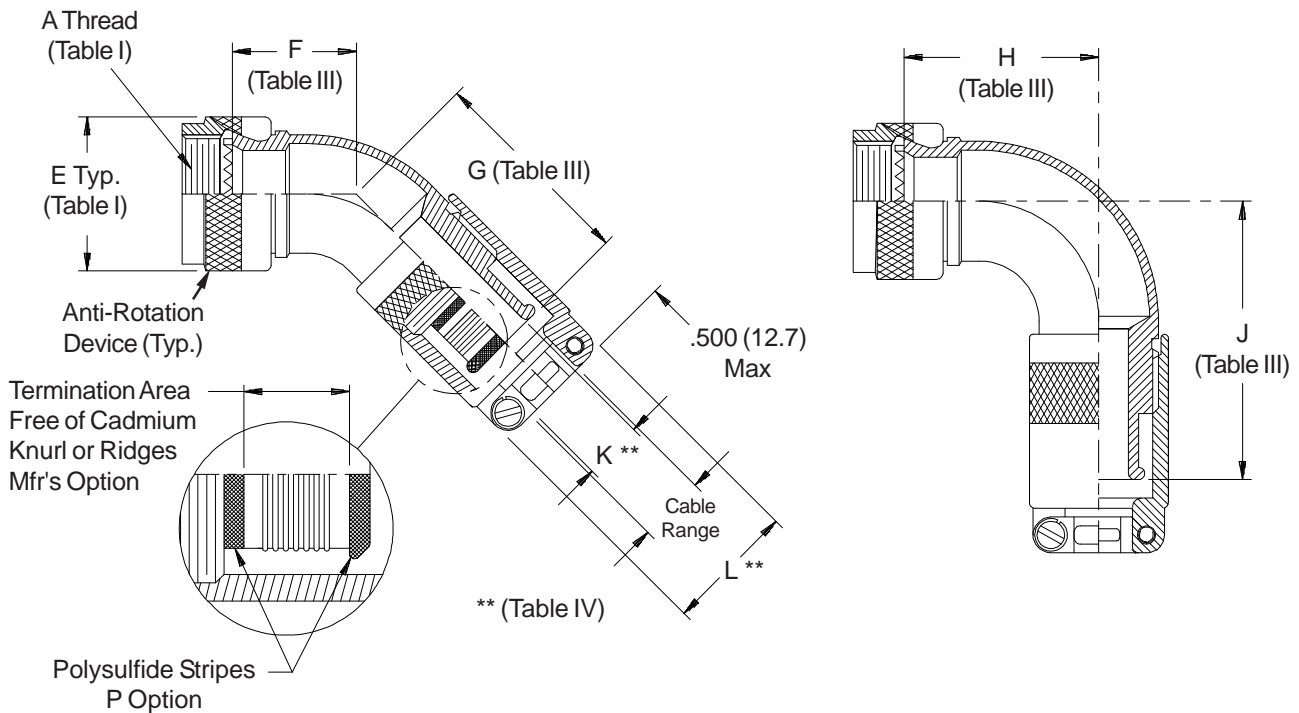
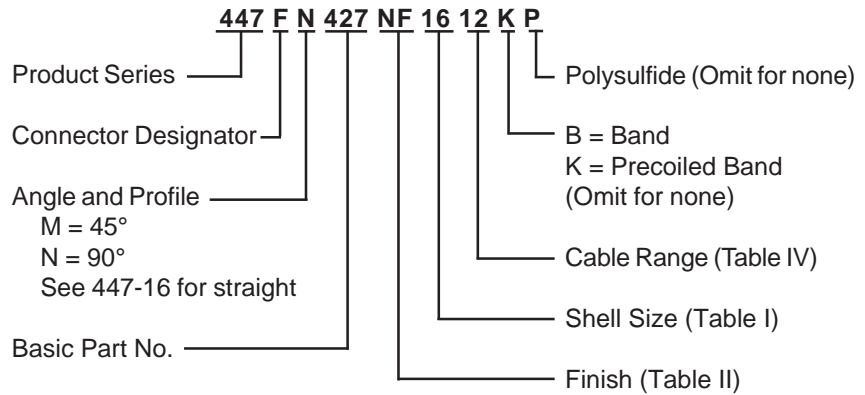
See inside back cover fold-out or pages 13 and 14 for Tables I and II.

TABLE III: ELBOW DIMENSIONS						
Shell Size		F Max	G Max	H Max	J Max	
Conn. Desig.	H					
A-F-L-S						
08	09	.795 (20.2)	1.380 (35.1)	.906 (23.0)	1.500 (38.1)	
10	11	.820 (20.8)	1.410 (35.8)	.966 (24.5)	1.550 (39.4)	
12	13	.844 (21.4)	1.430 (36.3)	1.026 (26.1)	1.610 (40.9)	
14	15	.861 (21.9)	1.460 (37.1)	1.076 (27.3)	1.680 (42.7)	
16	17	.888 (22.6)	1.480 (37.6)	1.136 (28.9)	1.740 (44.2)	
18	19	.904 (23.0)	1.490 (37.8)	1.176 (29.9)	1.760 (44.7)	
20	21	.929 (23.6)	1.510 (38.4)	1.236 (31.4)	1.820 (46.2)	
22	23	.956 (24.3)	1.550 (39.4)	1.296 (32.9)	1.900 (48.3)	
24	25	.979 (24.9)	1.580 (40.1)	1.356 (34.4)	1.970 (50.0)	

TABLE IV: CABLE RANGE						
Dash No.	K		L Max	Cable Range		
	±.030	±(.8)		Min	Max	
10	.220 (5.6)		1.000 (25.4)	.130 (3.3)	.250 (6.4)	
12	.310 (7.9)		1.250 (31.8)	.250 (6.4)	.380 (9.7)	
14	.440 (11.2)		1.340 (34.0)	.310 (7.9)	.440 (11.2)	
16	.560 (14.2)		1.470 (37.3)	.375 (9.5)	.630 (16.0)	
18	.630 (16.0)		1.560 (39.6)	.560 (14.2)	.690 (17.5)	
20	.750 (19.1)		1.620 (41.1)	.630 (16.0)	.750 (19.1)	
22	.880 (22.4)		1.750 (44.5)	.750 (19.1)	.880 (22.4)	
24	1.000 (25.4)		1.870 (47.5)	.880 (22.4)	1.000 (25.4)	
28	1.060 (26.9)		1.970 (50.0)	1.000 (25.4)	1.130 (28.7)	
32	1.190 (30.2)		2.090 (53.1)	1.130 (28.7)	1.250 (31.8)	

1. When maximum cable entry (page 21) is exceeded, Style 2 will be supplied. Dimensions F, G, H and J will not apply. Please consult factory.
2. Metric dimensions (mm) are indicated in parentheses.
3. Consult factory for shorter lengths on straight backshells.
4. Backshells supplied with 600-052-\* band, see Glenair Series 600 Tool Catalog for installation.

**CONNECTOR  
DESIGNATORS  
A-F-H-L-S  
SELF-LOCKING  
ROTATABLE  
COUPLING**



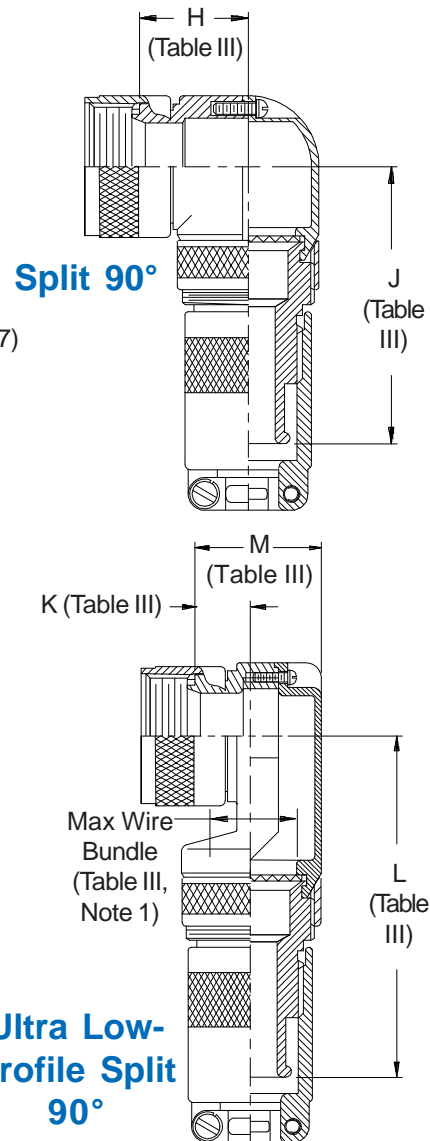
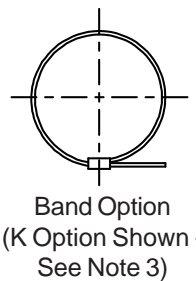
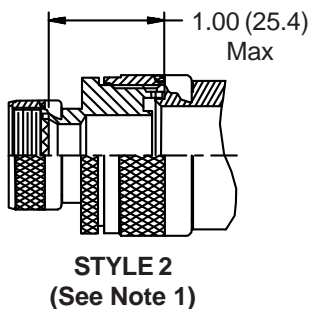
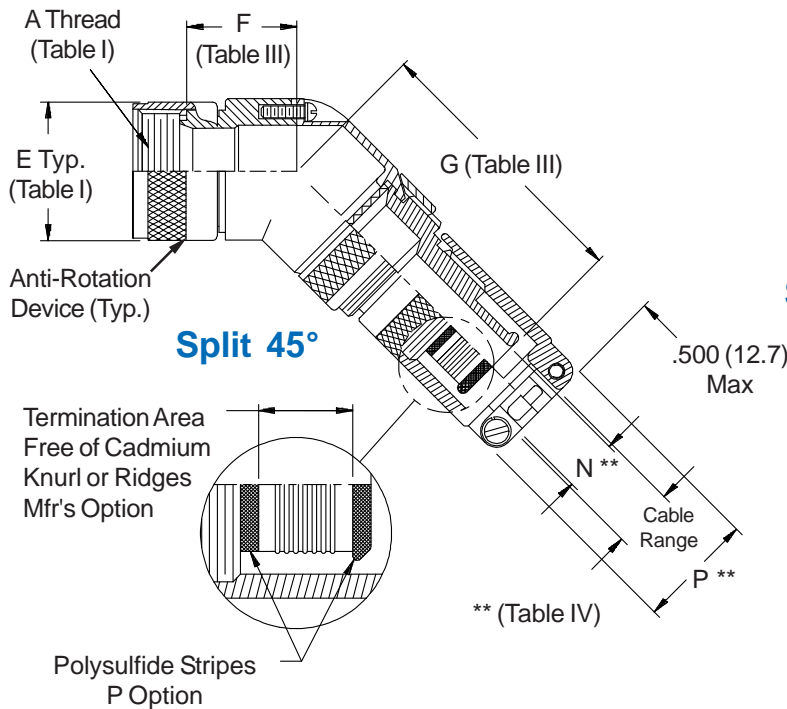
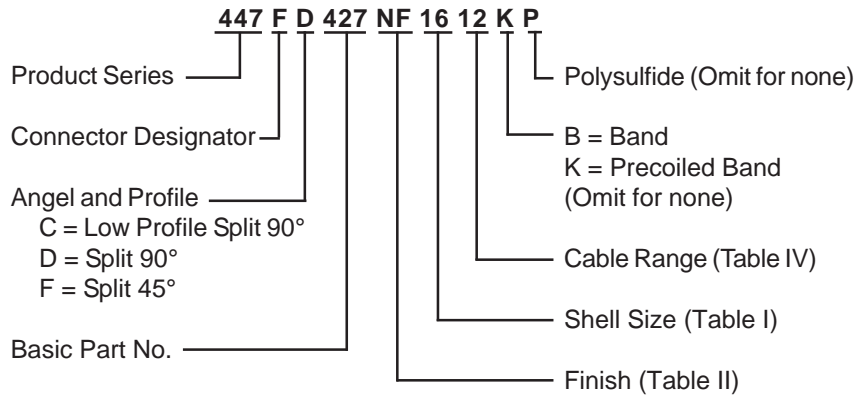
See inside back cover fold-out or pages 13 and 14 for Tables I and II.

<b>TABLE III: ELBOW DIMENSIONS</b>									
<b>Shell Size</b>		<b>F</b>		<b>G</b>		<b>H</b>		<b>J</b>	
<b>Conn. Desig.</b>	<b>H</b>	<b>Max</b>		<b>Max</b>		<b>Max</b>		<b>Max</b>	
<b>A-F-L-S</b>									
08	09	.973	(24.7)	1.057	(26.8)	1.281	(32.5)	1.375	(34.9)
10	11	1.017	(25.8)	1.111	(28.2)	1.406	(35.7)	1.500	(38.1)
12	13	1.067	(27.1)	1.161	(29.5)	1.531	(38.9)	1.625	(41.3)
14	15	1.121	(28.5)	1.215	(30.9)	1.656	(42.1)	1.750	(44.5)
16	17	1.170	(29.7)	1.264	(32.1)	1.781	(45.2)	1.875	(47.6)
18	19	1.220	(31.0)	1.314	(33.4)	1.906	(48.4)	2.000	(50.8)
20	21	1.274	(32.4)	1.368	(34.7)	2.031	(51.6)	2.125	(54.0)
22	23	1.328	(33.7)	1.422	(36.1)	2.156	(54.8)	2.250	(57.2)
24	25	1.377	(35.0)	1.471	(37.4)	2.281	(57.9)	2.375	(60.3)

<b>TABLE IV: CABLE RANGE</b>							
<b>Dash No.</b>	<b>K</b>		<b>L</b>		<b>Cable Range</b>		
	<b>±.030</b>	<b>±(.8)</b>	<b>Max</b>		<b>Min</b>	<b>Max</b>	
10	.220	(5.6)	1.000	(25.4)	.130	(3.3)	.250 (6.4)
12	.310	(7.9)	1.250	(31.8)	.250	(6.4)	.380 (9.7)
14	.440	(11.2)	1.340	(34.0)	.310	(7.9)	.440 (11.2)
16	.560	(14.2)	1.470	(37.3)	.375	(9.5)	.630 (16.0)
18	.630	(16.0)	1.560	(39.6)	.560	(14.2)	.690 (17.5)
20	.750	(19.1)	1.620	(41.1)	.630	(16.0)	.750 (19.1)
22	.880	(22.4)	1.750	(44.5)	.750	(19.1)	.880 (22.4)
24	1.000	(25.4)	1.870	(47.5)	.880	(22.4)	1.000 (25.4)
28	1.060	(26.9)	1.970	(50.0)	1.000	(25.4)	1.130 (28.7)
32	1.190	(30.2)	2.090	(53.1)	1.130	(28.7)	1.250 (31.8)

1. When maximum cable entry (page 21) is exceeded, Style 2 will be supplied. Dimensions F, G, H and J will not apply. Please consult factory.
2. Metric dimensions (mm) are indicated in parentheses.
3. Backshells supplied with 600-052-\* band, see Glenair Series 600 Tool Catalog for installation.

**CONNECTOR  
DESIGNATORS  
A-F-H-L-S  
SELF-LOCKING  
ROTATABLE  
COUPLING**



**447-427**  
**EMI/RFI Non-Environmental Band-in-a-Can Backshell**  
 with Cable Clamp Strain-Relief  
 Self-Locking Rotatable Coupling - Split Shell



See inside back cover fold-out or pages 13 and 14 for Tables I and II.

TABLE III: ELBOW DIMENSIONS								
Shell Size	F Max	G Max	H Max	J Max	K Ref	L Max	M Max	Function C Max Wire Bundle
08/09	.596 (15.1)	1.840 (46.7)	.836 (21.2)	1.780 (45.2)	.496 (12.6)	2.120 (53.8)	.837 (21.3)	.250 (6.4)
10/11	.656 (16.7)	1.900 (48.3)	.906 (23.0)	1.840 (46.7)	.426 (10.8)	2.280 (57.9)	.887 (22.5)	.375 (9.5)
12/13	.716 (18.2)	1.970 (50.0)	.966 (24.5)	1.910 (48.5)	.426 (10.8)	2.280 (57.9)	.887 (22.5)	.375 (9.5)
14/15	.776 (19.7)	2.000 (50.8)	1.026 (26.1)	1.940 (49.3)	.436 (11.1)	2.350 (59.7)	.987 (25.1)	.500 (12.7)
16/17	.836 (21.2)	2.100 (53.3)	1.086 (27.6)	2.040 (51.8)	.576 (14.6)	2.400 (61.0)	1.137 (28.9)	.625 (15.9)
18/19	.906 (23.0)	2.160 (54.9)	1.156 (29.4)	2.100 (53.3)	.796 (20.2)	2.430 (61.7)	1.337 (34.0)	.625 (15.9)
20/21	.976 (24.8)	2.220 (56.4)	1.216 (30.9)	2.160 (54.9)	.796 (20.2)	2.430 (61.7)	1.337 (34.0)	.625 (15.9)
22/23	1.036 (26.3)	2.280 (57.9)	1.276 (32.4)	2.220 (56.4)	.696 (17.7)	2.580 (65.5)	1.337 (34.0)	.750 (19.1)
24/25	1.096 (27.8)	2.340 (59.4)	1.336 (33.9)	2.280 (57.9)	.696 (17.7)	2.580 (65.5)	1.337 (34.0)	.750 (19.1)

TABLE IV: CABLE RANGE							
Dash No.	N		P		Cable Range		
	±.030	±(.8)	Max		Min	Max	
10	.220	(5.6)	1.000	(25.4)	.130	(3.3)	.250 (6.4)
12	.310	(7.9)	1.250	(31.8)	.250	(6.4)	.380 (9.7)
14	.440	(11.2)	1.340	(34.0)	.310	(7.9)	.440 (11.2)
16	.560	(14.2)	1.470	(37.3)	.375	(9.5)	.630 (16.0)
18	.630	(16.0)	1.560	(39.6)	.560	(14.2)	.690 (17.5)
20	.750	(19.1)	1.620	(41.1)	.630	(16.0)	.750 (19.1)
22	.880	(22.4)	1.750	(44.5)	.750	(19.1)	.880 (22.4)
24	1.000	(25.4)	1.870	(47.5)	.880	(22.4)	1.000 (25.4)
28	1.060	(26.9)	1.970	(50.0)	1.000	(25.4)	1.130 (28.7)
32	1.190	(30.2)	2.090	(53.1)	1.130	(28.7)	1.250 (31.8)

1. When maximum cable entry (page 21) is exceeded, Style 2 will be supplied. Dimensions F, G, H, and J will not apply. Please consult factory.
2. Metric dimensions (mm) are indicated in parentheses.
3. Backshells supplied with 600-052-\* band, see Glenair Series 600 Tool Catalog for installation.
4. Angular function "C", low-profile split elbow, not available with "S" connector designator.



# Tired of the "Highway Robbery" of minimum orders?



## Then Glenair's "no minimum order" policy is the answer.

Regardless of how few you may need, Glenair is pleased to offer you no restrictions when you purchase any of the hundreds of thousands of electrical interconnect part numbers we produce. That's right: no quantity or dollar minimums.

At Glenair, we've made the economy and convenience of "no minimums", and other customer-friendly policies a regular part of our business—and a big part of our strategy for keeping current with your every need.



Commercial and Mil Spec  
connector accessories



Convolved tubing and  
metal-core conduit



Electrical and fiber optic  
cable assemblies



Composite thermoplastic  
components



Microminiature connectors  
and accessories



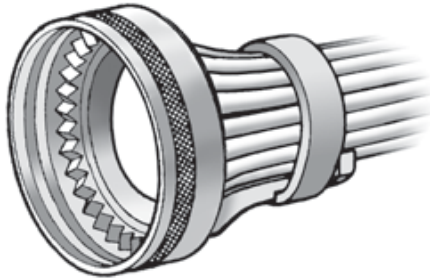
Backshell assembly and  
termination tools



1211 Air Way  
Glendale, California 91201-2497

Telephone: 818-247-6000 · Facsimilie: 818-500-9912 · EMail: sales@glenair.com

United States · United Kingdom · Germany · Nordic · France · Italy · Spain  
www.glenair.com



## PRODUCT FEATURES

- Lightweight, Low-Profile Strain-Relief
- Rotatable and Direct Coupling Styles
- Straight, 45° and 90° Configurations
- Optional Ground Lugs

The perfect strain-relief choice for high-volume, non-environmental applications

***Light weight backshells, combined with plastic ties or lacing tape, provide medium-duty strain-relief for wire bundle applications***

Glenair's Qwik-Ty® Strain Reliefs offer a unique method of providing strain relief to open wire bundles used with circular connectors. The Qwik-Ty® offers a low profile, reduced weight and simple installation. Installation is quick and secure, using either plastic tie straps or lacing tape. This simple, but secure attachment eliminates the frequent need of wrapping the wire bundle with tape to increase the bundle diameter to the size necessary to make conventional clamps function effectively. Many conventional cable clamps do not have adequate clamping range for modern day, small size wire bundles.

NOTE: Qwik-Ty® Strain Reliefs are not recommended for use with wire bundles containing wire sizes in excesses of 12 AWG (3 mm<sup>2</sup>).

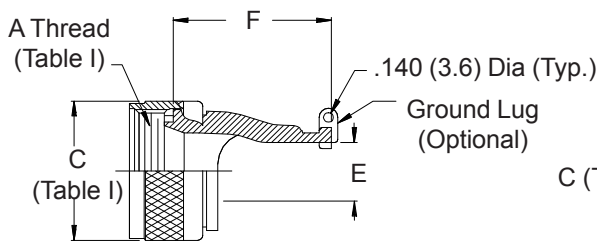
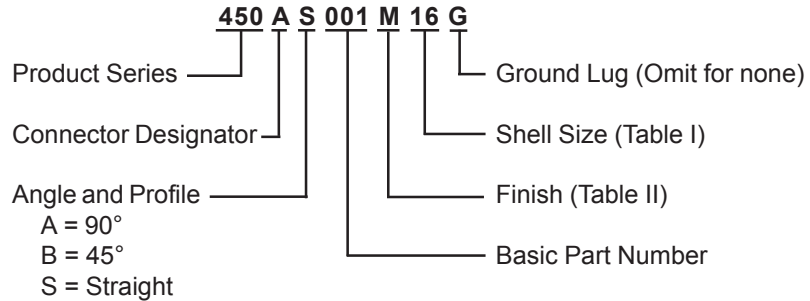
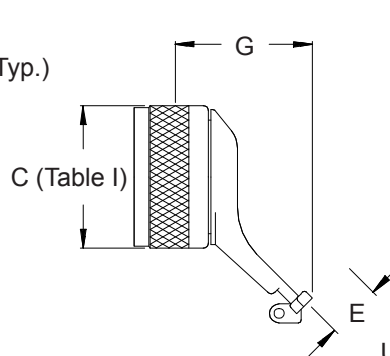
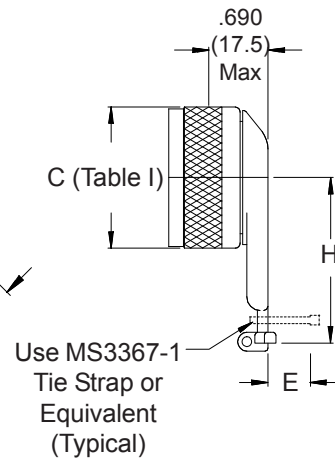
Qwik-Ty® is a registered trademark of Glenair, Inc.

**-445**

Now Available  
with the "NESTOR"

**Add "-445" to Specify  
Glenair's Non-Detent,  
Spring-Loaded, Self-  
Locking Coupling. See  
Page 41 for Details.**

NOTE: Most *Rotatable Coupling* Qwik-Ty® Strain Reliefs may be modified to accept the -445 "NESTOR" Non-Detent, Spring-Loaded, Self-Locking Coupling. The -445 "NESTOR" is not Available on Direct Coupling Products or for Use on MIL-DTL-38999 Series II Connectors. Please Contact the Factory for Additional Information.

**CONNECTOR  
DESIGNATOR**
**A**

**STRAIGHT  
ROTATABLE COUPLING**

**45°  
ROTATABLE COUPLING**

**90°  
ROTATABLE COUPLING**

See inside back cover fold-out or pages 13 and 14 for Tables I and II.

**TABLE III: DIMENSIONS**

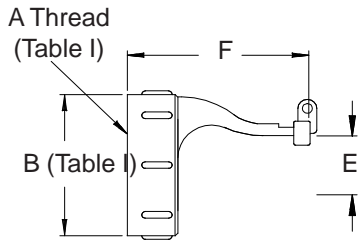
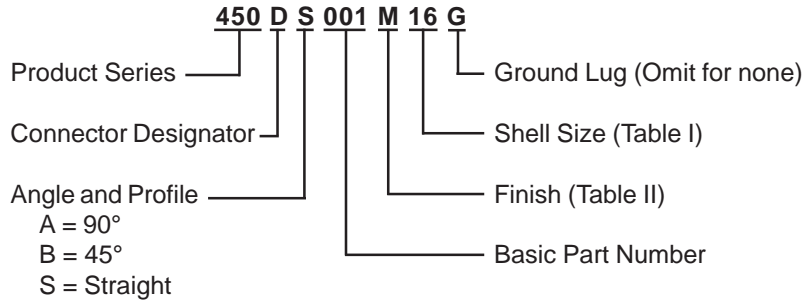
Shell Size	E Cable Entry	F Max	G Max	H Max
08	.260 (6.6)	.866 (22.0)	1.066 (27.1)	.890 (22.6)
10	.365 (9.3)	.866 (22.0)	1.066 (27.1)	.950 (24.1)
12	.501 (12.7)	.926 (23.5)	1.066 (27.1)	1.010 (25.7)
14	.575 (14.6)	1.106 (28.1)	1.188 (30.2)	1.330 (33.8)
16	.700 (17.8)	1.106 (28.1)	1.226 (31.1)	1.390 (35.3)
18	.779 (19.8)	1.176 (29.9)	1.226 (31.1)	1.460 (37.1)
20	.904 (23.0)	1.306 (33.2)	1.226 (31.1)	1.510 (38.4)
22	1.029 (26.1)	1.426 (36.2)	1.226 (31.1)	1.570 (39.9)
24	1.144 (29.1)	1.556 (39.5)	1.226 (31.1)	1.640 (41.7)

1. Cable Entry is defined as the accommodation entry for the wire bundle or cable. Dimensions are not intended for inspection criteria.
2. Metric dimensions (mm) are indicated in parentheses.

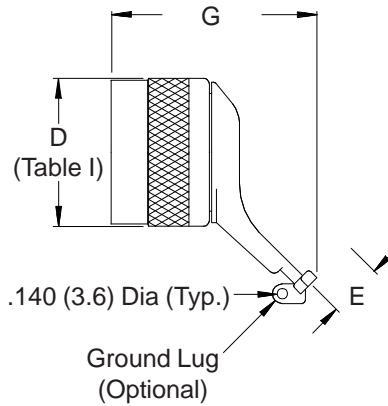
**450-001**  
**Qwik-Ty® Strain Relief - Connector Designator D**  
**Direct Coupling (Straight)**  
**Rotatable Coupling (45° and 90° Elbows)**



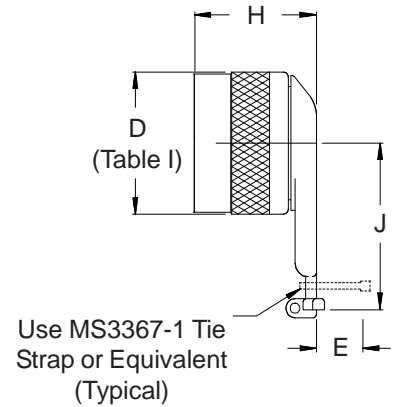
**CONNECTOR  
DESIGNATOR  
D**



**STRAIGHT  
DIRECT COUPLING**



**45°  
ROTATABLE COUPLING**



**90°  
ROTATABLE COUPLING**

See inside back cover fold-out or pages 13 and 14 for Tables I and II.

TABLE III: DIMENSIONS						
Shell Size	E Cable Entry	F Max	G Max	H Max	J Max	
08	.275 (7.0)	1.400 (35.6)	1.850 (47.0)	1.240 (31.5)	.880 (22.4)	
10	.402 (10.2)	1.400 (35.6)	1.850 (47.0)	1.240 (31.5)	.940 (23.9)	
12	.516 (13.1)	1.400 (35.6)	1.850 (47.0)	1.240 (31.5)	1.000 (25.4)	
14	.651 (16.5)	1.610 (40.9)	2.350 (59.7)	1.230 (31.2)	1.320 (33.5)	
16	.766 (19.5)	1.610 (40.9)	2.350 (59.7)	1.230 (31.2)	1.380 (35.1)	
18	.872 (22.1)	1.610 (40.9)	2.440 (62.0)	1.260 (32.0)	1.460 (37.1)	
20	.997 (25.3)	1.680 (42.7)	2.510 (63.8)	1.260 (32.0)	1.510 (38.4)	
22	1.125 (28.6)	1.680 (42.7)	2.510 (63.8)	1.260 (32.0)	1.560 (39.6)	
24	1.247 (31.7)	1.770 (45.0)	2.650 (67.3)	1.260 (32.0)	1.630 (41.4)	

- Cable Entry is defined as the accommodation entry for the wire bundle or cable. Dimensions are not intended for inspection criteria.
- Metric dimensions (mm) are indicated in parentheses.

## 450-001 and 450-002

### Qwik-Ty® Strain Relief - Connector Designator E

#### Direct Coupling (Straight)

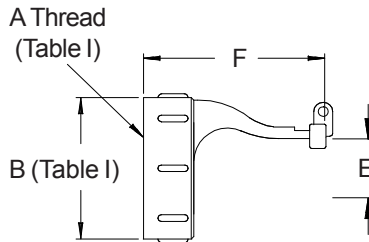
#### Rotatable Coupling (Straight, 45° and 90° Elbows)

## CONNECTOR DESIGNATOR E

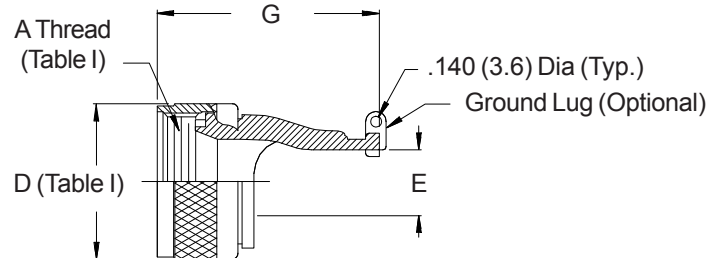
**450 E S 001 M 16 G**

Product Series ———— 450  
 Connector Designator — E  
 Angle and Profile ——— S  
 A = 90°, B = 45°  
 S = Straight

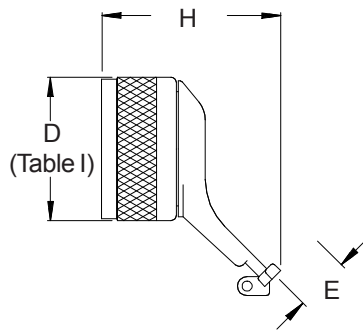
Ground Lug (Omit for none)  
 Shell Size (Table I)  
 Finish (Table II)  
 Basic Part Number  
 001, 002



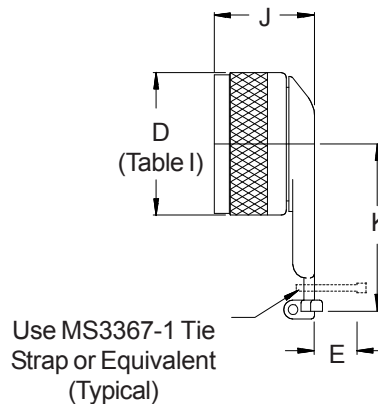
**450ES001**  
**STRAIGHT DIRECT COUPLING**



**450ES002**  
**STRAIGHT ROTATABLE COUPLING**



**450EB001**  
**45° ROTATABLE COUPLING**



**450EA001**  
**90° ROTATABLE COUPLING**

**See inside back cover fold-out or pages 13 and 14 for Tables I and II.**

**TABLE III: DIMENSIONS**

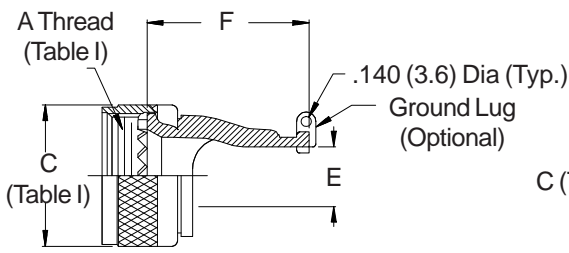
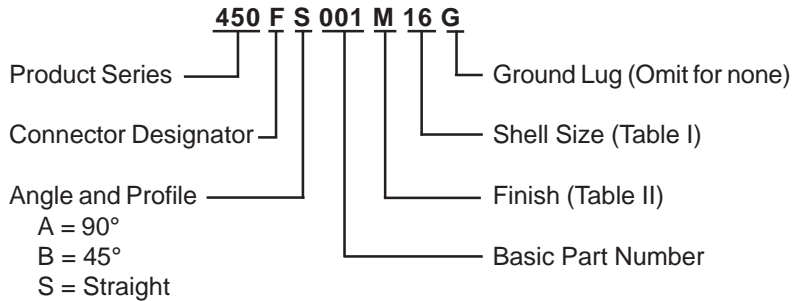
Shell Size	E Cable Entry	F Max	G Max	H Max	J Max	K Max
08	.355 (9.0)	1.060 (26.9)	1.350 (34.3)	1.320 (33.5)	.880 (22.4)	.940 (23.9)
10	.465 (11.8)	1.060 (26.9)	1.410 (35.8)	1.440 (36.6)	.880 (22.4)	1.000 (25.4)
12	.625 (15.9)	1.060 (26.9)	1.600 (40.6)	1.580 (40.1)	.880 (22.4)	1.320 (33.5)
14	.695 (17.7)	1.310 (33.3)	1.600 (40.6)	1.600 (40.6)	.970 (24.6)	1.410 (35.8)
16	.810 (20.6)	1.310 (33.3)	1.650 (41.9)	1.600 (40.6)	1.020 (25.9)	1.460 (37.1)
18	.942 (23.9)	1.310 (33.3)	1.780 (45.2)	1.630 (41.4)	1.020 (25.9)	1.510 (38.4)
20	.968 (24.6)	1.310 (33.3)	1.900 (48.3)	1.630 (41.4)	.970 (24.6)	1.560 (39.6)
22	1.079 (27.4)	1.310 (33.3)	2.030 (51.6)	1.630 (41.4)	.970 (24.6)	1.560 (39.6)
24	1.300 (33.1)	1.310 (33.3)	2.060 (52.3)	1.630 (41.4)	.920 (23.4)	1.630 (41.4)

1. Cable Entry is defined as the accommodation entry for the wire bundle or cable. Dimensions are not intended for inspection criteria.
2. Metric dimensions (mm) are indicated in parentheses.

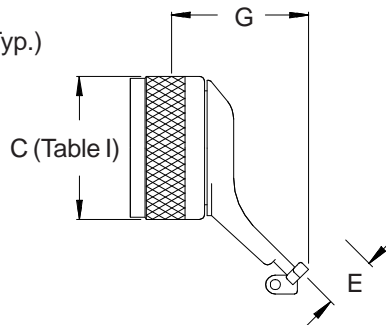
**450-001**  
**Qwik-Ty® Strain Relief - Connector Designator F**  
 Rotatable Coupling (Straight, 45° and 90° Elbows)



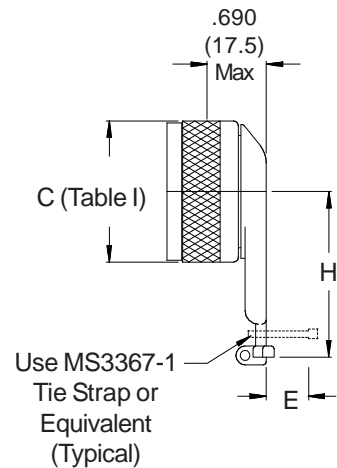
**CONNECTOR  
 DESIGNATOR  
 F**



**STRAIGHT  
 ROTATABLE COUPLING**



**45°  
 ROTATABLE COUPLING**



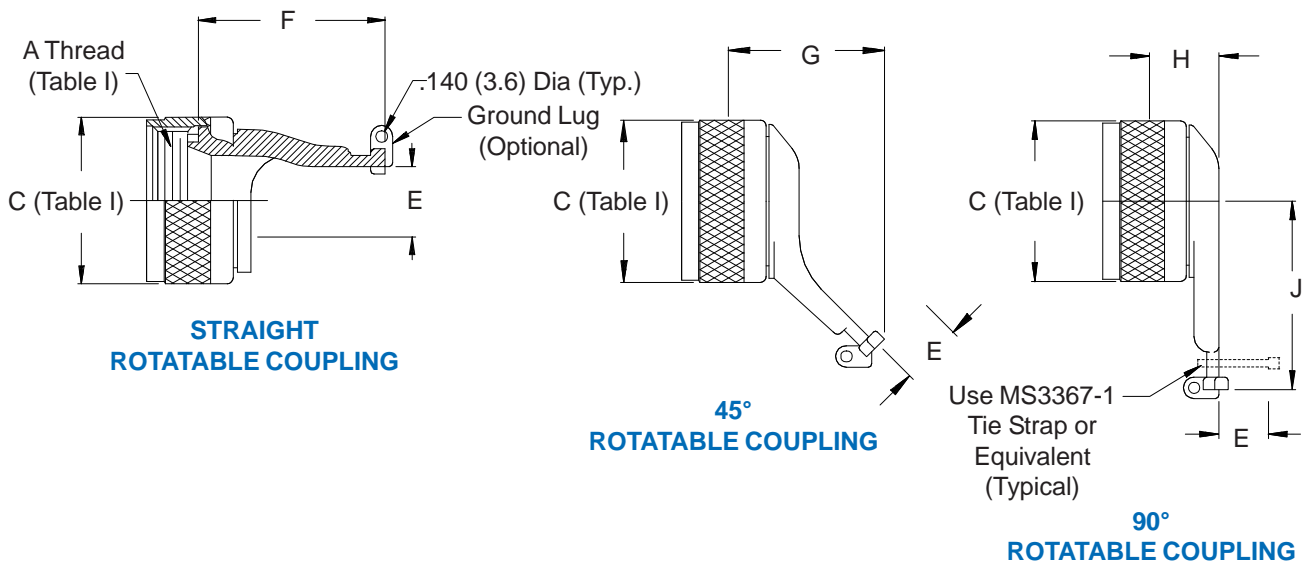
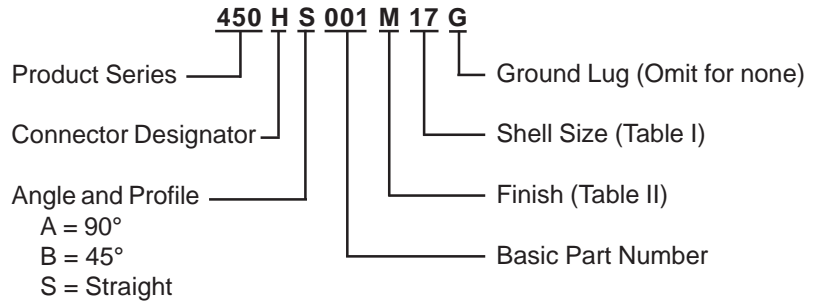
**90°  
 ROTATABLE COUPLING**

See inside back cover fold-out or pages 13 and 14 for Tables I and II.

TABLE III: DIMENSIONS				
Shell Size	E Cable Entry	F Max	G Max	H Max
08	.264 (6.7)	.866 (22.0)	1.066 (27.1)	.890 (22.6)
10	.392 (10.0)	.866 (22.0)	1.066 (27.1)	.950 (24.1)
12	.506 (12.9)	.926 (23.5)	1.066 (27.1)	1.010 (25.7)
14	.631 (16.0)	1.106 (28.1)	1.188 (30.2)	1.330 (33.8)
16	.756 (19.2)	1.106 (28.1)	1.226 (31.1)	1.390 (35.3)
18	.845 (21.5)	1.176 (29.9)	1.226 (31.1)	1.460 (37.1)
20	.970 (24.6)	1.306 (33.2)	1.226 (31.1)	1.510 (38.4)
22	1.095 (27.8)	1.426 (36.2)	1.226 (31.1)	1.510 (38.4)
24	1.220 (31.0)	1.556 (39.5)	1.226 (31.1)	1.640 (41.7)

1. Cable Entry is defined as the accommodation entry for the wire bundle or cable. Dimensions are not intended for inspection criteria.
2. Metric dimensions (mm) are indicated in parentheses.



**CONNECTOR  
DESIGNATOR  
H**


See inside back cover fold-out or pages 13 and 14 for Tables I and II.

**TABLE III: DIMENSIONS**

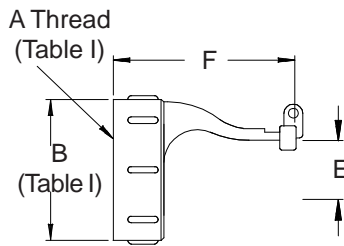
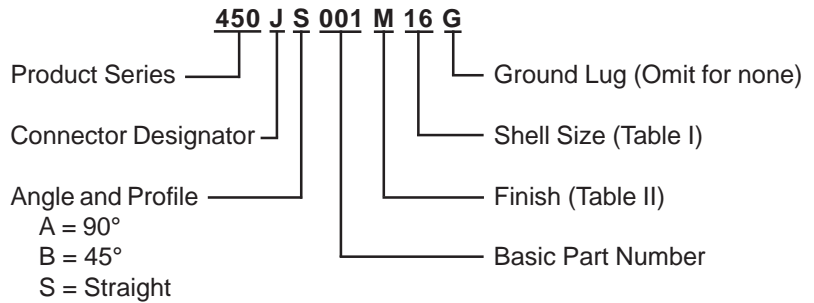
Shell Size	E Cable Entry	F Max	G Max	H Max	J Max
09	.250 (6.4)	.866 (22.0)	1.066 (27.1)	.406 (10.3)	.889 (22.6)
11	.382 (9.7)	.866 (22.0)	1.066 (27.1)	.406 (10.3)	.948 (24.1)
13	.500 (12.7)	.925 (23.5)	1.066 (27.1)	.406 (10.3)	1.070 (27.2)
15	.630 (16.0)	1.102 (28.0)	1.188 (30.2)	.438 (11.1)	1.330 (33.8)
17	.750 (19.1)	1.102 (28.0)	1.224 (31.1)	.438 (11.1)	1.389 (35.3)
19	.838 (21.3)	1.177 (29.9)	1.224 (31.1)	.438 (11.1)	1.480 (37.6)
21	.968 (24.6)	1.307 (33.2)	1.224 (31.1)	.438 (11.1)	1.661 (42.2)
23	1.090 (27.7)	1.425 (36.2)	1.224 (31.1)	.438 (11.1)	1.850 (47.0)
25	1.220 (31.0)	1.555 (39.5)	1.224 (31.1)	.438 (11.1)	1.909 (48.5)

1. Cable Entry is defined as the accommodation entry for the wire bundle or cable. Dimensions are not intended for inspection criteria.
2. Metric dimensions (mm) are indicated in parentheses.

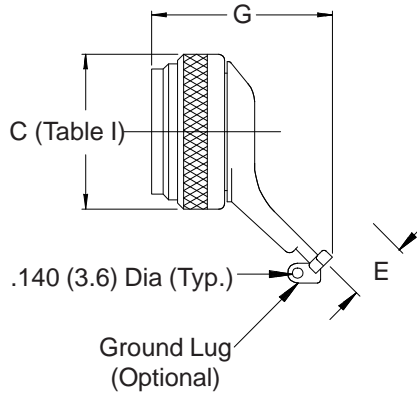
**450-001**  
**Qwik-Ty® Strain Relief - Connector Designator J**  
 Direct Coupling (Straight)  
 Rotatable Coupling (45° and 90° Elbows)



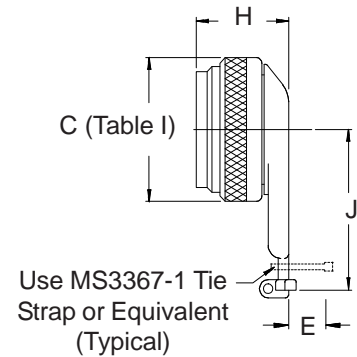
**CONNECTOR  
 DESIGNATOR**  
**J**



**STRAIGHT  
 DIRECT COUPLING**



**45°  
 ROTATABLE COUPLING**

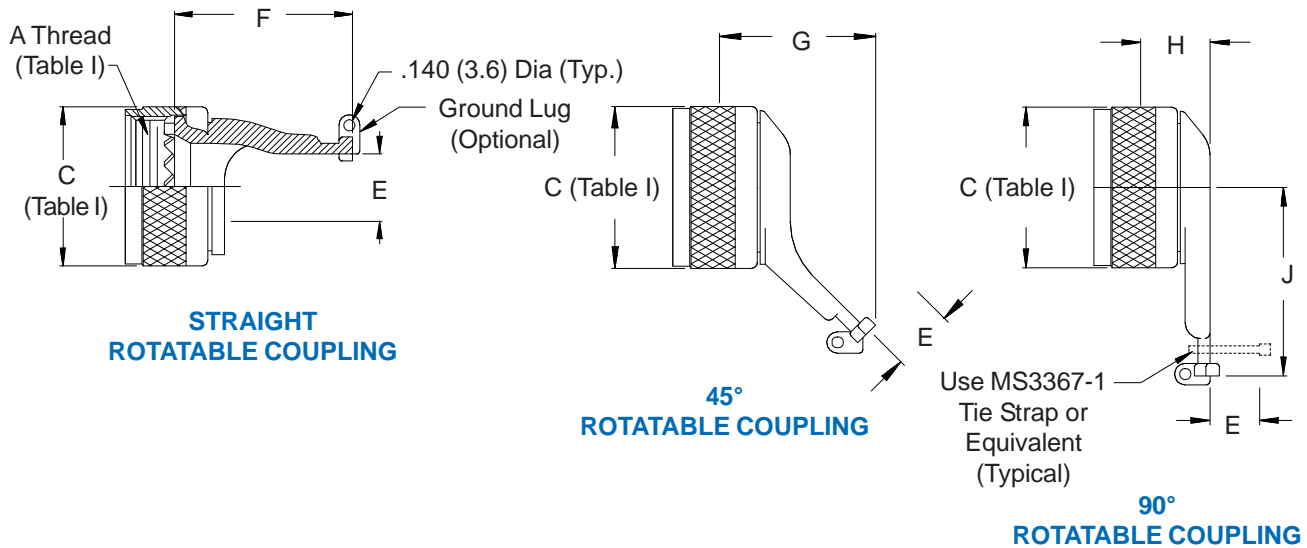
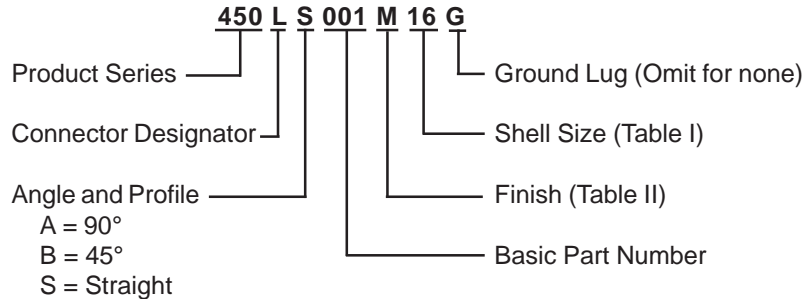


**90°  
 ROTATABLE COUPLING**

**See inside back cover fold-out or pages 13 and 14 for Tables I and II.**

TABLE III: DIMENSIONS						
Shell Size	E Cable Entry	F Max	G Max	H Max	J Max	
08	.375 (9.5)	1.250 (31.8)	1.630 (41.4)	.750 (19.1)	.940 (23.9)	
10	.500 (12.7)	1.250 (31.8)	1.670 (42.4)	.750 (19.1)	1.000 (25.4)	
14	.750 (19.1)	1.500 (38.1)	2.200 (55.9)	.750 (19.1)	1.380 (35.1)	
16	.875 (22.2)	1.500 (38.1)	2.270 (57.7)	.780 (19.8)	1.460 (37.1)	
18	1.000 (25.4)	1.500 (38.1)	2.330 (59.2)	.780 (19.8)	1.510 (38.4)	
20	1.125 (28.6)	1.500 (38.1)	2.410 (61.2)	.810 (20.6)	1.560 (39.6)	
22	1.250 (31.8)	1.500 (38.1)	2.550 (64.8)	.810 (20.6)	1.630 (41.4)	
24	1.375 (34.9)	1.500 (38.1)	2.590 (65.8)	.810 (20.6)	1.710 (43.4)	

1. Cable Entry is defined as the accommodation entry for the wire bundle or cable. Dimensions are not intended for inspection criteria.
2. Metric dimensions (mm) are indicated in parentheses.

**CONNECTOR  
DESIGNATOR**


See inside back cover fold-out or pages 13 and 14 for Tables I and II.

**TABLE III: DIMENSIONS**

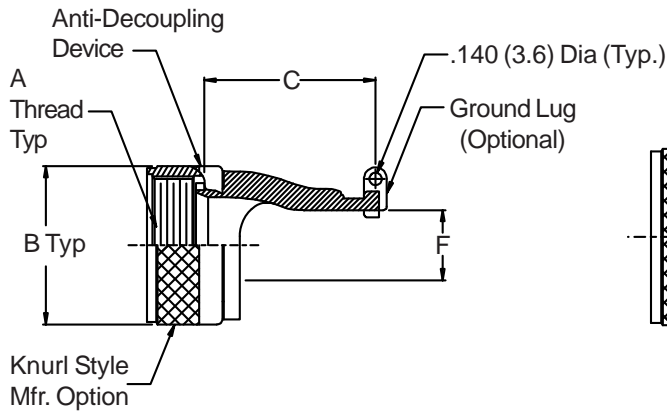
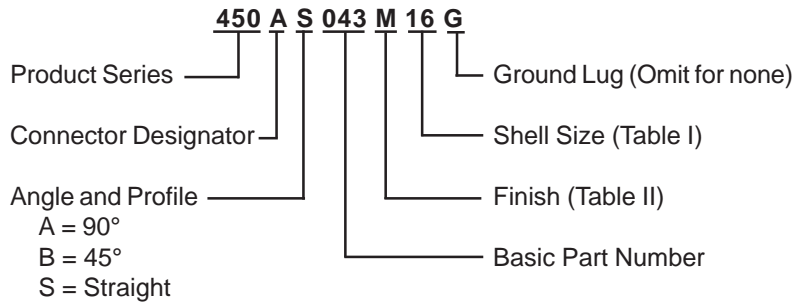
Shell Size	E Cable Entry	F Max	G Max	H Max	J Max
08	.269 (6.8)	.866 (22.0)	1.066 (27.1)	.464 (11.8)	.890 (22.6)
10	.397 (10.1)	.866 (22.0)	1.066 (27.1)	.496 (12.6)	.950 (24.1)
12	.511 (13.0)	.926 (23.5)	1.066 (27.1)	.535 (13.6)	1.070 (27.2)
14	.636 (16.2)	1.106 (28.1)	1.188 (30.2)	.574 (14.6)	1.330 (33.8)
16	.761 (19.3)	1.106 (28.1)	1.224 (31.1)	.590 (15.0)	1.390 (35.3)
18	.850 (21.6)	1.176 (29.9)	1.224 (31.1)	.685 (17.4)	1.480 (37.6)
20	.975 (24.8)	1.306 (33.2)	1.224 (31.1)	.685 (17.4)	1.660 (42.2)
22	1.100 (27.9)	1.426 (36.2)	1.224 (31.1)	.716 (18.2)	1.850 (47.0)
24	1.225 (31.1)	1.556 (39.5)	1.224 (31.1)	.755 (19.2)	1.910 (48.5)

1. Cable Entry is defined as the accommodation entry for the wire bundle or cable. Dimensions are not intended for inspection criteria.
2. Metric dimensions (mm) are indicated in parentheses.

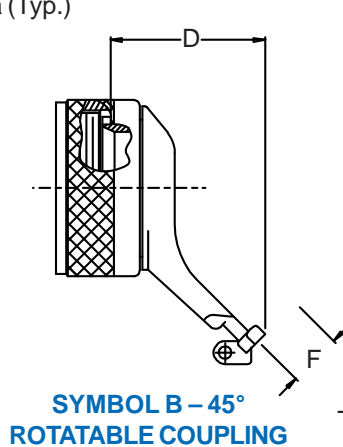
**450-043**  
**Qwik-Ty® Strain Relief - Connector Designator A**  
 Rotatable Coupling (Straight, 45° and 90° Elbows)  
 for Connectors per Table III



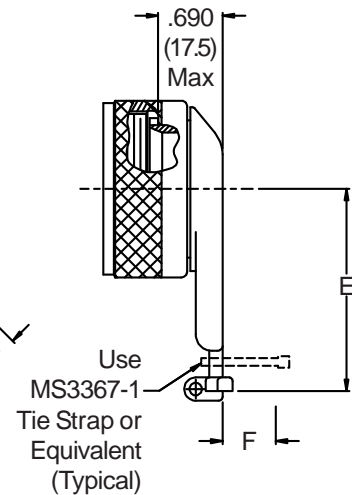
**CONNECTOR DESIGNATOR**  
**A**



**SYMBOL S – STRAIGHT ROTATABLE COUPLING**



**SYMBOL B – 45° ROTATABLE COUPLING**



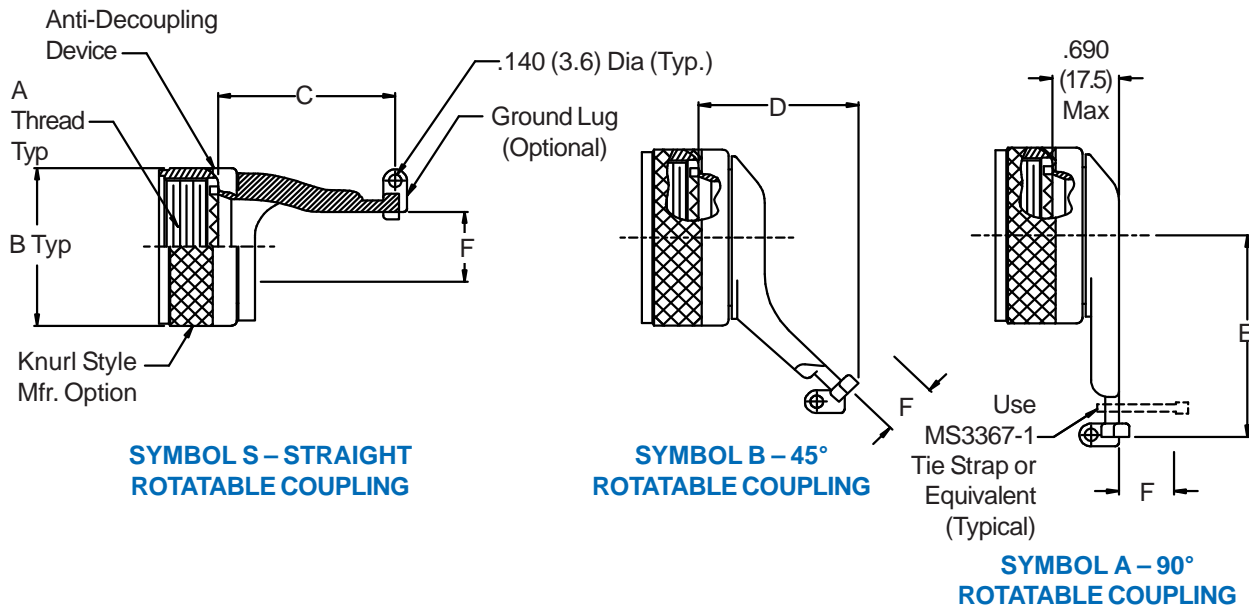
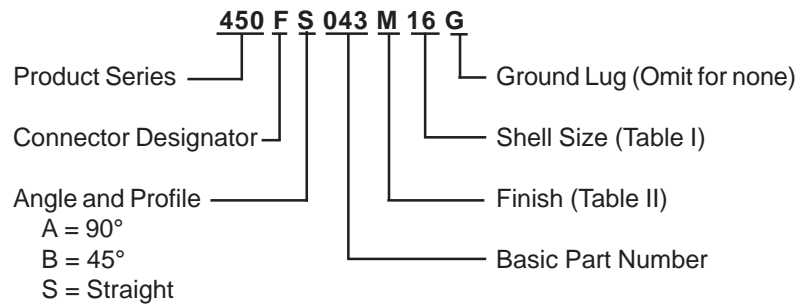
**SYMBOL A – 90° ROTATABLE COUPLING**

See inside back cover fold-out or pages 13 and 14 for Tables I and II.

**TABLE III: CONNECTOR SHELL SIZE AND DIMENSIONS**

Dash No.	CONNECTOR SHELL SIZE				A Thread Class 2B	B Max	C Max	D Max	E Max	F Cable Entry (See Note 1)
	MIL-DTL-83723 Series I & III	MIL-DTL-5015 MS3400 Series	AS81703 Series III	MIL-DTL-26482 Series II						
08	8	8S	-	8	1/2 – 20 UNF	.690 (17.5)	.950 (24.1)	1.190 (30.2)	.890 (22.6)	.260 (6.6)
10	10	10S, 10SL	-	10	5/8 – 24 UNEF	.820 (20.8)	1.000 (25.4)	1.190 (30.2)	.950 (24.1)	.395 (9.3)
12	12	12S, 12SL	7	12	3/4 – 20 UNEF	.940 (24.8)	1.020 (25.9)	1.190 (30.2)	1.010 (25.7)	.501 (12.7)
14	14	12, 14S	12	14	7/8 – 20 UNEF	1.060 (26.9)	1.190 (30.2)	1.320 (33.5)	1.330 (33.8)	.575 (14.6)
16	16	16, 16S	19	16	1 – 20 UNEF	1.170 (29.7)	1.190 (30.2)	1.320 (33.5)	1.390 (35.3)	.700 (17.8)
18	18	18	27	18	1 1/16 – 18 UNEF	1.290 (32.7)	1.300 (33.0)	1.320 (33.5)	1.460 (37.1)	.779 (19.8)
20	20	20	37	20	1 3/16 – 18 UNEF	1.420 (36.0)	1.430 (36.3)	1.320 (33.5)	1.510 (38.4)	.904 (23.0)
22	22	22	-	22	1 5/16 – 18 UNEF	1.540 (39.1)	1.520 (38.9)	1.320 (33.5)	1.570 (39.9)	1.029 (26.1)
24	24	24	-	24	1 7/16 – 18 UNEF	1.660 (42.2)	1.635 (41.5)	1.320 (33.5)	1.640 (41.7)	1.444 (29.1)

1. Cable Entry is defined as the accommodation entry for the wire bundle or cable. Dimensions are not intended for inspection criteria.
2. Metric dimensions (mm) are indicated in parentheses.

**CONNECTOR  
DESIGNATOR  
F**


See inside back cover fold-out or pages 13 and 14 for Tables I and II.

**TABLE III: CONNECTOR SHELL SIZE AND DIMENSIONS**

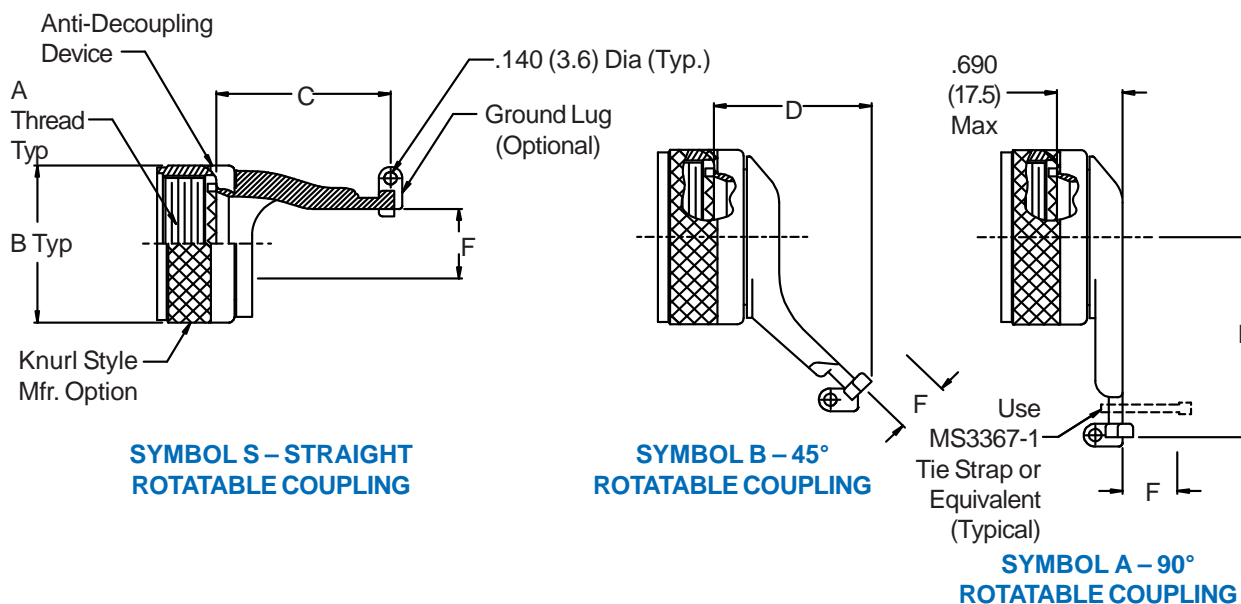
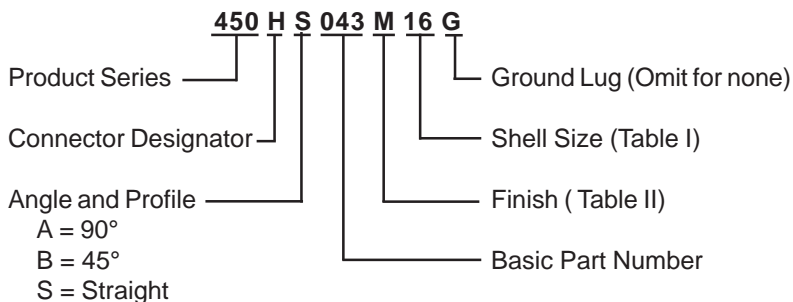
Dash No.	SHELL SIZE		A Thread Class 2B	B Max	C Max	D Max	E Max	F Cable Entry (See Note 1)
	MIL-DTL-38999 Series II	MIL-DTL-38999 Series I						
08	08	09	7/16 – 28 UNEF	.690 (17.5)	.950 (24.1)	1.190 (30.2)	.890 (22.6)	.250 (6.4)
10	10	11	9/16 – 24 UNEF	.820 (20.8)	1.000 (25.4)	1.190 (30.2)	.950 (24.1)	.382 (9.7)
12	12	13	11/16 – 24 UNEF	.940 (24.8)	1.020 (25.9)	1.190 (30.2)	1.010 (25.7)	.500 (12.7)
14	14	15	13/16 – 20 UNEF	1.060 (26.9)	1.190 (30.2)	1.320 (33.5)	1.330 (33.8)	.630 (16.0)
16	16	17	15/16 – 20 UNEF	1.170 (29.7)	1.190 (30.2)	1.320 (33.5)	1.390 (35.3)	.750 (19.1)
18	18	19	1 1/16 – 18 UNEF	1.290 (32.7)	1.300 (33.0)	1.320 (33.5)	1.460 (37.1)	.838 (21.3)
20	20	21	1 3/16 – 18 UNEF	1.420 (36.0)	1.430 (36.3)	1.320 (33.5)	1.510 (38.4)	.968 (24.6)
22	22	23	1 5/16 – 18 UNEF	1.540 (39.1)	1.520 (38.9)	1.320 (33.5)	1.570 (39.9)	1.090 (27.7)
24	24	25	1 7/16 – 18 UNEF	1.660 (42.2)	1.635 (41.5)	1.320 (33.5)	1.640 (41.7)	1.220 (31.0)

1. Cable Entry is defined as the accommodation entry for the wire bundle or cable. Dimensions are not intended for inspection criteria.
2. Metric dimensions (mm) are indicated in parentheses.

**450-043**  
**Qwik-Ty® Strain Relief - Connector Designator H**  
 Rotatable Coupling (Straight, 45° and 90° Elbows)  
 for MIL-DTL-38999 Series III& IV Connectors



**CONNECTOR DESIGNATOR**  
**H**



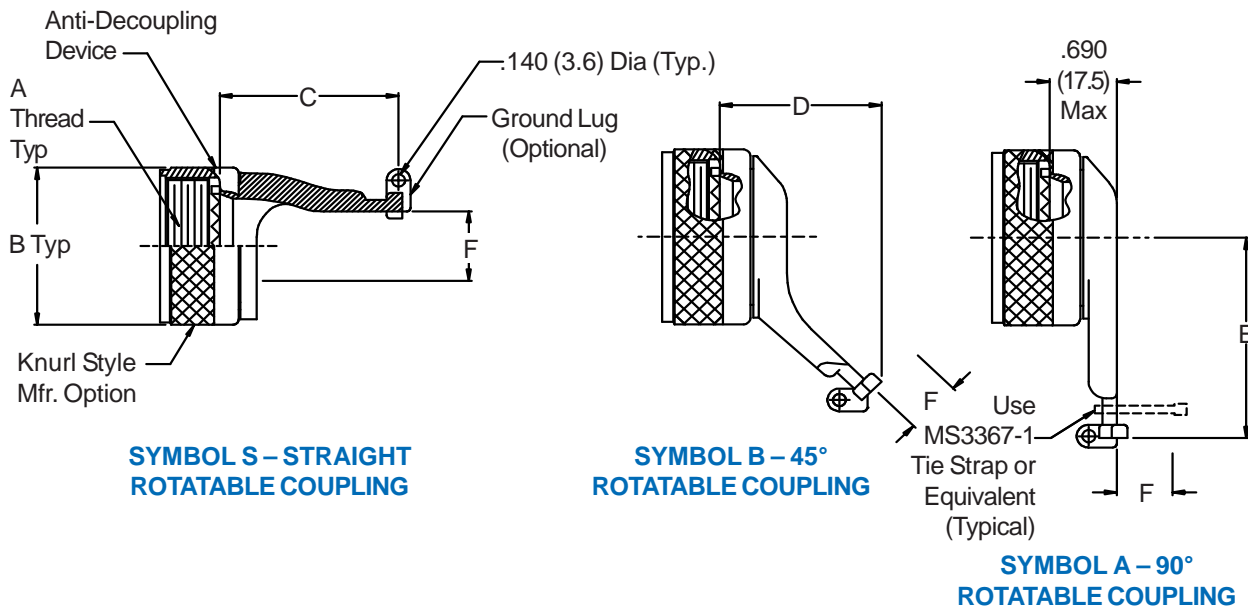
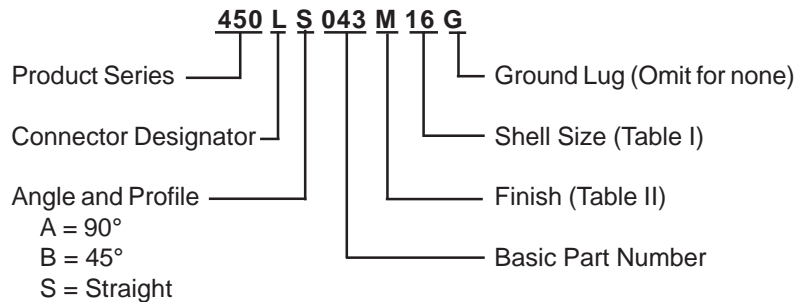
See inside back cover fold-out or pages 13 and 14 for Tables I and II.

**TABLE III: CONNECTOR SHELL SIZE AND DIMENSIONS**

Shell Size	A Thread I.S.O. Metric	B Max	C Max	D Max	E Max	F Cable Entry (See Note 1)
09	M12 X 1.90 – 6H	.940 (24.8)	.950 (24.1)	1.190 (30.2)	.890 (22.6)	.250 (6.4)
11	M15 X 1.90 – 6H	1.060 (26.9)	1.000 (25.4)	1.190 (30.2)	.950 (24.1)	.382 (9.7)
13	M18 X 1.90 – 6H	1.170 (29.7)	1.020 (25.9)	1.190 (30.2)	1.010 (25.7)	.500 (12.7)
15	M22 X 1.90 – 6H	1.290 (32.7)	1.190 (30.2)	1.320 (33.5)	1.330 (33.8)	.630 (16.0)
17	M25 X 1.90 – 6H	1.420 (36.0)	1.190 (30.2)	1.320 (33.5)	1.390 (35.3)	.750 (19.1)
19	M28 X 1.90 – 6H	1.540 (39.1)	1.300 (33.0)	1.320 (33.5)	1.460 (37.1)	.838 (21.3)
21	M31 X 1.90 – 6H	1.670 (42.4)	1.430 (36.3)	1.320 (33.5)	1.510 (38.4)	.968 (24.6)
23	M34 X 1.90 – 6H	2.010 (51.1)	1.520 (38.9)	1.320 (33.5)	1.570 (39.9)	1.090 (27.7)
25	M37 X 1.90 – 6H	2.120 (53.8)	1.635 (41.5)	1.320 (33.5)	1.640 (41.7)	1.220 (31.0)

1. Cable Entry is defined as the accommodation entry for the wire bundle or cable. Dimensions are not intended for inspection criteria.
2. Metric dimensions (mm) are indicated in parentheses.



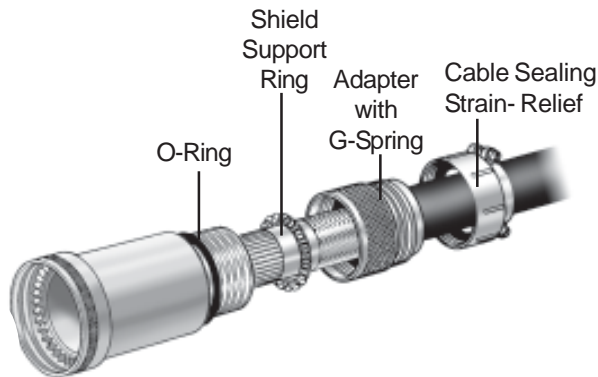
**CONNECTOR  
DESIGNATOR**
**L**


See inside back cover fold-out or pages 13 and 14 for Tables I and II.

**TABLE III: CONNECTOR SHELL SIZE AND DIMENSIONS**

Shell Size	A Thread Class 2B	B Max	C Max	D Max	E Max	F Cable Entry (See Note 1)
08	7/16 – 28 UNEF	.690 (17.5)	.950 (24.1)	1.190 (30.2)	.890 (22.6)	.250 (6.4)
10	9/16 – 24 UNEF	.820 (20.8)	1.000 (25.4)	1.190 (30.2)	.950 (24.1)	.382 (9.7)
12	11/16 – 24 UNEF	.940 (24.8)	1.020 (25.9)	1.190 (30.2)	1.010 (25.7)	.500 (12.7)
14	13/16 – 20 UNEF	1.060 (26.9)	1.190 (30.2)	1.320 (33.5)	1.330 (33.8)	.630 (16.0)
16	15/16 – 20 UNEF	1.170 (29.7)	1.190 (30.2)	1.320 (33.5)	1.390 (35.3)	.750 (19.1)
18	1 1/16 – 18 UNEF	1.290 (32.7)	1.300 (33.0)	1.320 (33.5)	1.460 (37.1)	.838 (21.3)
20	1 3/16 – 18 UNEF	1.420 (36.0)	1.430 (36.3)	1.320 (33.5)	1.510 (38.4)	.968 (24.6)
22	1 5/16 – 18 UNEF	1.540 (39.1)	1.520 (38.9)	1.320 (33.5)	1.570 (39.9)	1.090 (27.7)
24	1 7/16 – 18 UNEF	1.660 (42.2)	1.635 (41.5)	1.320 (33.5)	1.640 (41.7)	1.220 (31.0)

1. Cable Entry is defined as the accommodation entry for the wire bundle or cable. Dimensions are not intended for inspection criteria.
2. Metric dimensions (mm) are indicated in parentheses.



## PRODUCT FEATURES

- Unique Peripheral Spring Member Ensures Cable Shield Grounding While Preventing Distortion of Shield
- G-Spring Captivated in Compression Nut to Reduce Number of Loose Parts Handled During Assembly
- Water-Tight Cable Sealing Protects to Immersion Depth of 3 ft.
- Rotatable, Self-Locking and Direct Coupling Styles
- Straight, 45°, 90° and Split Configurations in Standard and Low Profile Constructions
- Optional Strain-Relief or Compression Nut Styles

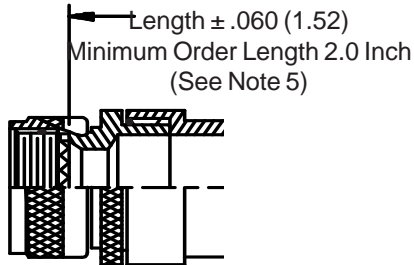
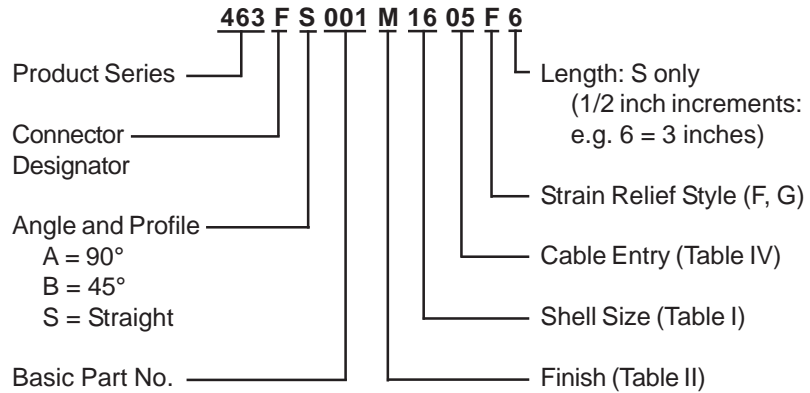
Environmental G-Spring EMI/RFI backshell provides 360° grounding and effective cable sealing

***Designed for environmental applications in which the make-up of the shield does not easily permit forming over a ground ring, banding platform or other terminating device***

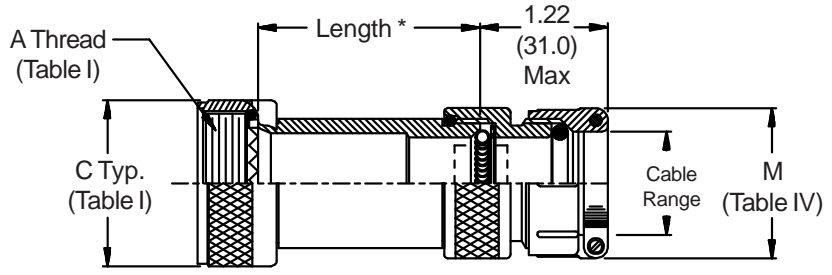
Cable jacket sealing versions of the G-Spring backshells utilize a resilient sealing member which is compressed by a separate threaded coupling, and is compressed independently from the G-Spring grounding member. This permits inspection of the G-Spring installation prior to compression of the cable jacket sealing member. The sealing ring also is captivated in either a compression nut or strain relief, again to eliminate excess loose component parts during assembly.

**See assembly instructions, opposite page.**

**CONNECTOR  
 DESIGNATORS  
 A-F-H-L-S**  
**ROTATABLE  
 COUPLING**

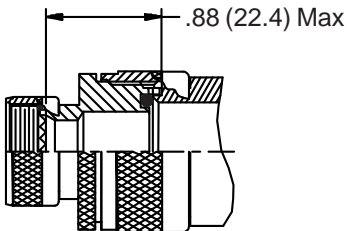


**STYLE 2  
 (STRAIGHT  
 See Note 1)**

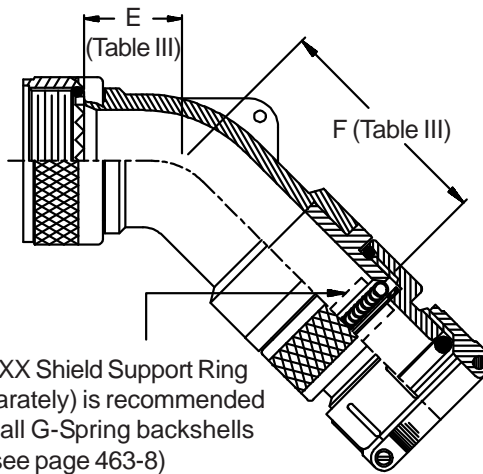


\* Length ± .060 (1.52)  
 Minimum Order Length 1.5 Inch  
 (See Note 5)

Shown with Style F  
 Strain Relief

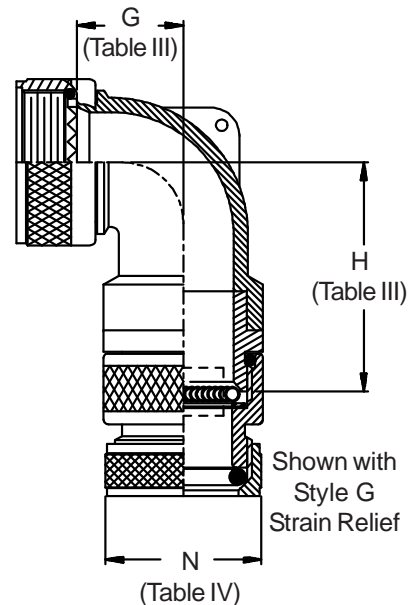


**STYLE 2  
 (45° & 90°  
 See Note 1)**



Shown with Style F  
 Strain Relief

469-001-XX Shield Support Ring  
 (order separately) is recommended  
 for use in all G-Spring backshells  
 (see page 463-8)



Shown with  
 Style G  
 Strain Relief

**463-001**  
**EMI/RFI Environmental G-Spring Backshell**  
with Strain Relief  
Rotatable Coupling - Low Profile



See inside back cover fold-out or pages 13 and 14 for Tables I and II.

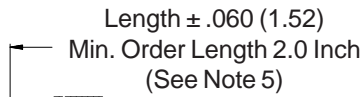
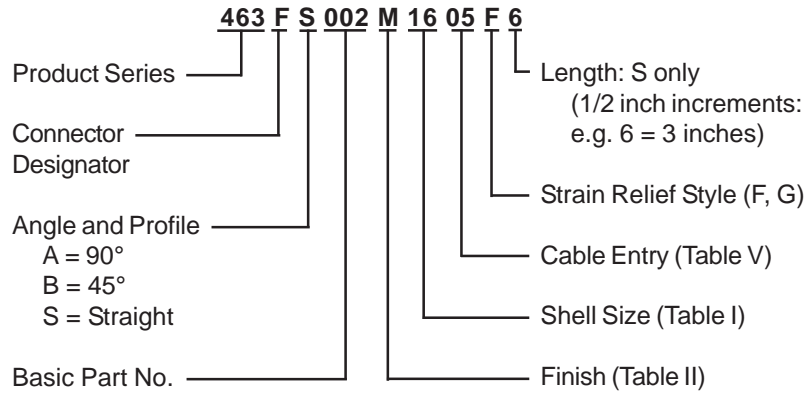
TABLE III: ELBOW DIMENSIONS									
Shell Size		E		F		G		H	
Conn. Desig.	H	Max		Max		Max		Max	
A-F-L-S									
08	09	.413	(10.5)	1.720	(43.7)	.500	(12.7)	1.670	(42.4)
10	11	.520	(13.2)	1.720	(43.7)	.595	(15.1)	1.790	(45.5)
12	13	.582	(14.8)	1.780	(45.2)	.610	(15.5)	1.810	(46.0)
14	15	.645	(16.4)	1.870	(47.5)	.700	(17.8)	1.880	(47.8)
16	17	.738	(18.7)	1.980	(50.3)	.885	(22.5)	1.970	(50.0)
18	19	.926	(23.5)	2.170	(55.1)	.975	(24.8)	2.140	(54.4)
20	21	.926	(23.5)	2.170	(55.1)	.975	(24.8)	2.140	(54.4)
22	23	1.020	(25.9)	2.320	(58.9)	1.125	(28.6)	2.250	(57.2)
24	25	1.020	(25.9)	2.320	(58.9)	1.125	(28.6)	2.250	(57.2)
28		1.145	(29.1)	2.370	(60.2)	1.225	(31.1)	2.420	(61.5)
32		1.207	(30.7)	2.470	(62.7)	1.575	(40.0)	2.670	(67.8)
36		1.238	(31.4)	2.560	(65.0)	1.775	(45.1)	2.670	(67.8)

TABLE IV: CABLE ENTRY							
Dash No.	M Max	N Max	Cable Range				
			Min	Max			
01	.843 (21.4)	.625 (15.9)	.125 (3.2)	.250 (6.4)			
02	.968 (24.6)	.750 (19.1)	.156 (4.0)	.375 (9.5)			
03	1.046 (26.6)	.875 (22.2)	.250 (6.4)	.438 (11.1)			
04	1.156 (29.4)	1.000 (25.4)	.280 (7.1)	.500 (12.7)			
05	1.218 (30.9)	1.125 (28.6)	.375 (9.5)	.625 (15.9)			
06	1.343 (34.1)	1.250 (31.8)	.500 (12.7)	.750 (19.1)			
07	1.468 (37.3)	1.375 (34.9)	.625 (15.9)	.875 (22.2)			
08	1.593 (40.5)	1.500 (38.1)	.750 (19.1)	1.000 (25.4)			
09	1.718 (43.6)	1.625 (41.3)	.875 (22.2)	1.125 (28.6)			
10	1.843 (46.8)	1.750 (44.5)	1.000 (25.4)	1.250 (31.8)			
11*	2.187 (55.5)	1.875 (47.6)	1.125 (28.6)	1.375 (34.9)			
12*	2.312 (58.7)	2.000 (50.8)	1.250 (31.8)	1.500 (38.1)			
13*	2.437 (61.9)	2.125 (54.0)	1.375 (34.9)	1.625 (41.3)			
14*	2.546 (64.7)	2.250 (57.2)	1.500 (38.1)	1.750 (44.5)			

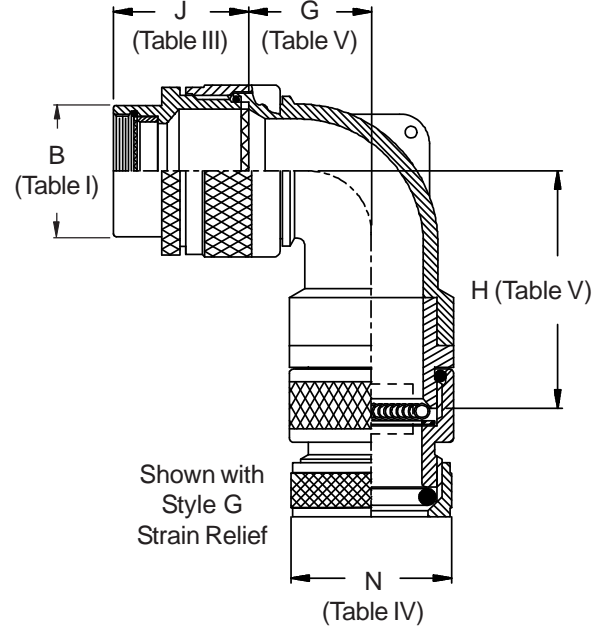
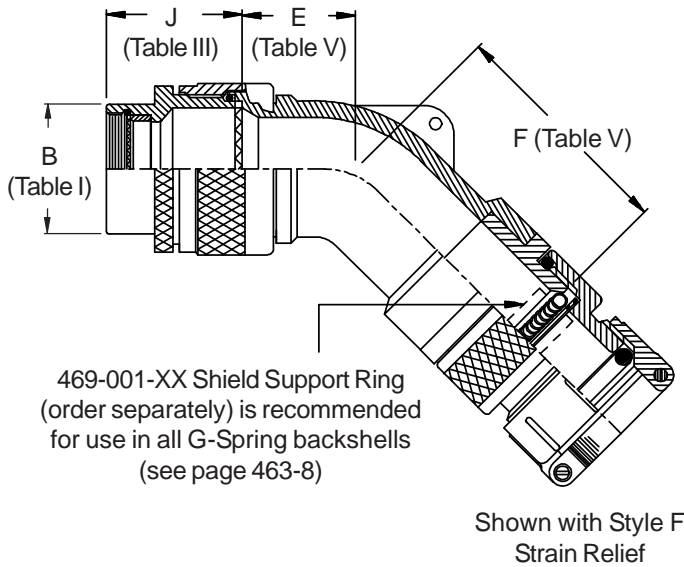
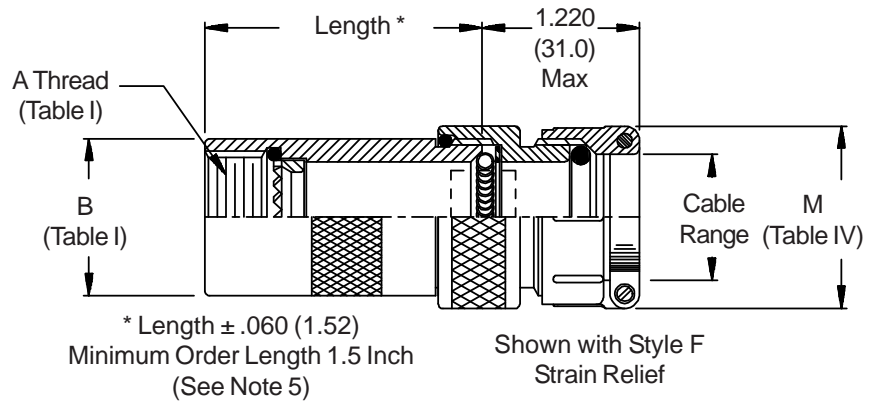
\* Consult factory for availability

1. Shield Support Ring (469-001-XX) is recommended for use in all G-Spring backshells (see page 463-8).
2. When maximum cable entry (page 21) is exceeded, Style 2 will be supplied. Dimensions E, F, G and H will not apply. Please consult factory.
3. Metric dimensions (mm) are indicated in parentheses.
4. Cable range is defined as the accommodations range for the wire bundle or cable. Dimensions shown are not intended for inspection criteria.
5. Consult factory for shorter lengths on straight backshells.
6. O-Ring not supplied with Connector Designator A.

**CONNECTOR DESIGNATORS**  
**A-B\*-C-D-E-F**  
**G-H-J-K-L-S**  
 \* Conn. Desig. B See Note 6  
**DIRECT COUPLING**



**STYLE 2**  
**(STRAIGHT)**  
 See Note 1)



**463-002**  
**EMI/RFI Environmental G-Spring Backshell**  
with Strain Relief  
Direct Coupling - Low Profile



463

See inside back cover fold-out or pages 13 and 14 for Tables I and II.

TABLE III: FRONT ADAPTER			
Shell Size	J Max - Conn. Designator		
	A-E-F		
	J-H-L-S	D-B-G-K	C
08/09	1.180(30.0)	1.440(36.6)	
10/11	1.180(30.0)	1.440(36.6)	
12/13	1.180(30.0)	1.440(36.6)	1.735(44.1)
14/15	1.180(30.0)	1.440(36.6)	1.915(48.6)
16/17	1.380(35.0)	1.560(39.6)	1.915(48.6)
18/19	1.380(35.0)	1.560(39.6)	1.915(48.6)
20/21	1.380(35.0)	1.560(39.6)	1.915(48.6)
22/23	1.380(35.0)	1.560(39.6)	1.915(48.6)
24/25	1.380(35.0)	1.560(39.6)	1.915(48.6)
28/29	1.610(40.9)	1.560(39.6)	1.915(48.6)
32/33	1.610(40.9)	1.750(44.5)	1.915(48.6)
36	1.610(40.9)	1.750(44.5)	1.915(48.6)
40	1.610(40.9)	2.190(55.6)	1.915(48.6)

TABLE IV: CABLE ENTRY						
Dash No.	M Max	N Max	Cable Range			
			Min	Max	Min	Max
01	.843 (21.4)	.625 (15.9)	.125 (3.2)	.250 (6.4)		
02	.968 (24.6)	.750 (19.1)	.156 (4.0)	.375 (9.5)		
03	1.046 (26.6)	.875 (22.2)	.250 (6.4)	.438 (11.1)		
04	1.156 (29.4)	1.000 (25.4)	.280 (7.1)	.500 (12.7)		
05	1.218 (30.9)	1.125 (28.6)	.375 (9.5)	.625 (15.9)		
06	1.343 (34.1)	1.250 (31.8)	.500 (12.7)	.750 (19.1)		
07	1.468 (37.3)	1.375 (34.9)	.625 (15.9)	.875 (22.2)		
08	1.593 (40.5)	1.500 (38.1)	.750 (19.1)	1.000 (25.4)		
09	1.718 (43.6)	1.625 (41.3)	.875 (22.2)	1.125 (28.6)		
10	1.843 (46.8)	1.750 (44.5)	1.000 (25.4)	1.250 (31.8)		
11*	2.187 (55.5)	1.875 (47.6)	1.125 (28.6)	1.375 (34.9)		
12*	2.312 (58.7)	2.000 (50.8)	1.250 (31.8)	1.500 (38.1)		
13*	2.437 (61.9)	2.125 (54.0)	1.375 (34.9)	1.625 (41.3)		
14*	2.546 (64.7)	2.250 (57.2)	1.500 (38.1)	1.750 (44.5)		

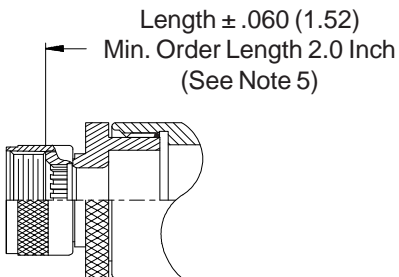
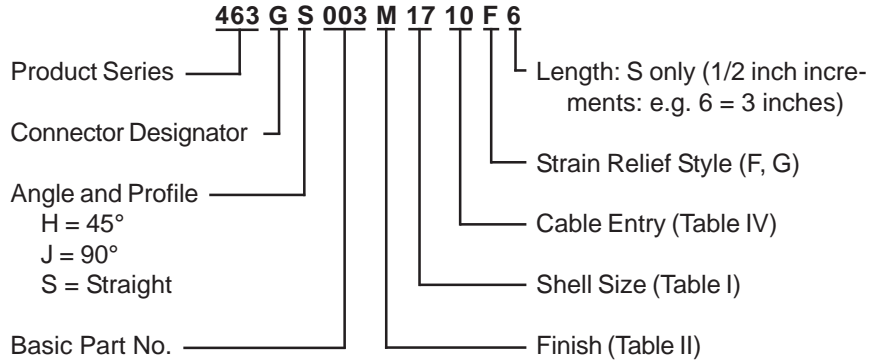
\* Consult factory for availability

TABLE V: ELBOW DIMENSIONS								
Elbow Size	E		F		G		H	
	Max		Max		Max		Max	
01	.630	(16.0)	1.720	(43.7)	.636	(16.2)	1.670	(42.4)
02	.630	(16.0)	1.720	(43.7)	.710	(18.0)	1.790	(45.5)
03	.692	(17.6)	1.780	(45.2)	.734	(18.6)	1.810	(46.0)
04	.755	(19.2)	1.870	(47.5)	.825	(21.0)	1.880	(47.8)
05	.848	(21.5)	1.980	(50.3)	.988	(25.1)	1.970	(50.0)
06	1.036	(26.3)	2.170	(55.1)	1.087	(27.6)	2.140	(54.4)
07	1.036	(26.3)	2.170	(55.1)	1.087	(27.6)	2.140	(54.4)
08	1.130	(28.7)	2.320	(58.9)	1.325	(33.7)	2.250	(57.2)
09	1.130	(28.7)	2.320	(58.9)	1.325	(33.7)	2.250	(57.2)
10	1.255	(31.9)	2.370	(60.2)	1.337	(34.0)	2.420	(61.5)
11	1.317	(33.5)	2.470	(62.7)	1.827	(46.4)	2.670	(67.8)
12	1.317	(33.5)	2.470	(62.7)	1.827	(46.4)	2.670	(67.8)
13	1.348	(34.2)	2.560	(65.0)	2.027	(51.5)	2.670	(67.8)
14	1.348	(34.2)	2.560	(65.0)	2.027	(51.5)	2.670	(67.8)

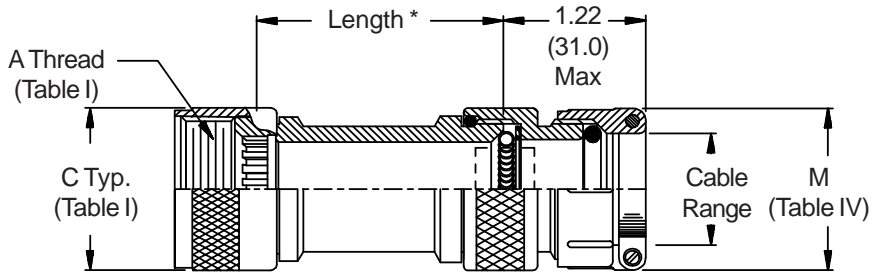
1. Shield Support Ring (469-001-XX) is recommended for use in all G-Spring backshells (see page 463-8).
2. When maximum cable entry (page 22) is exceeded, Style 2 will be supplied. Angular Function S only.
3. Metric dimensions (mm) are indicated in parentheses.
4. Cable range is defined as the accommodations range for the wire bundle or cable. Dimensions shown are not intended for inspection criteria.
5. Consult factory for shorter lengths on straight backshells.
6. When using Connector Designator B refer to pages 18 and 19 for part number development.



**CONNECTOR  
DESIGNATOR**  
**G**  
**ROTATABLE  
COUPLING**

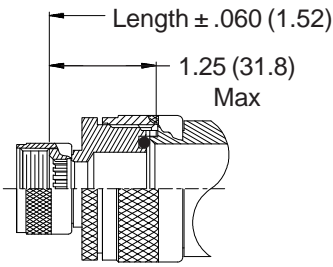


**STYLE 2  
(STRAIGHT  
See Note 1)**

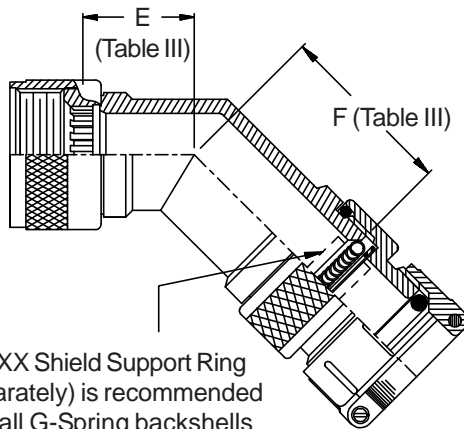


\* Length ± .060 (1.52)  
Minimum Order Length 1.5 Inch  
(See Note 5)

Shown with Style F  
Strain Relief

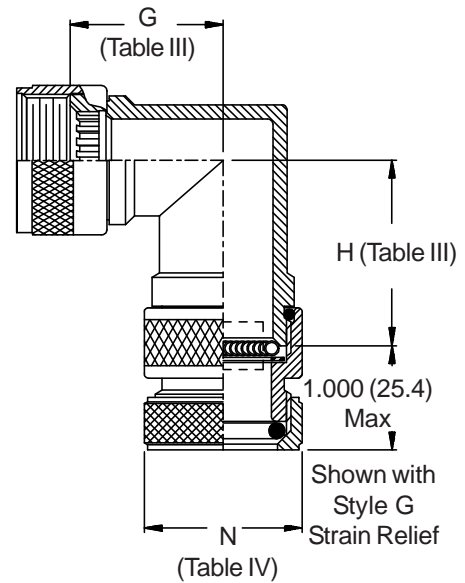


**STYLE 2  
(45° & 90°  
See Note 1)**



469-001-XX Shield Support Ring  
(order separately) is recommended  
for use in all G-Spring backshells  
(see page 463-8)

Shown with Style F  
Strain Relief



Shown with  
Style G  
Strain Relief

**-445**

Add "-445" to Specify Glenair's Non-Detent,  
("NESTOR") Spring-Loaded, Self-Locking Coupling.  
See Page 41 for Details.

**463-003**  
**EMI/RFI Environmental G-Spring Backshell**  
with Strain Relief  
**Rotatable Coupling - Standard Profile**



See inside back cover  
fold-out or pages 13 and  
14 for Tables I and II.

TABLE III: ELBOW DIMENSIONS								
Shell Size	E Max		F Max		G Max		H Max	
11	1.240	(31.5)	1.630	(41.4)	1.380	(35.1)	1.770	(45.0)
13	1.260	(32.0)	1.650	(41.9)	1.440	(36.6)	1.830	(46.5)
15	1.290	(32.8)	1.680	(42.7)	1.500	(38.1)	1.900	(48.3)
17	1.310	(33.3)	1.700	(43.2)	1.570	(39.9)	1.960	(49.8)
19	1.340	(34.0)	1.730	(43.9)	1.630	(41.4)	2.040	(51.8)
23	1.380	(35.1)	1.770	(45.0)	1.730	(43.9)	2.120	(53.3)
25	1.410	(35.8)	1.800	(45.7)	1.800	(45.7)	2.190	(53.8)
29	1.580	(40.1)	1.970	(50.0)	2.040	(51.8)	2.430	(61.7)
33	1.620	(41.1)	2.010	(51.1)	2.130	(54.1)	2.520	(64.0)

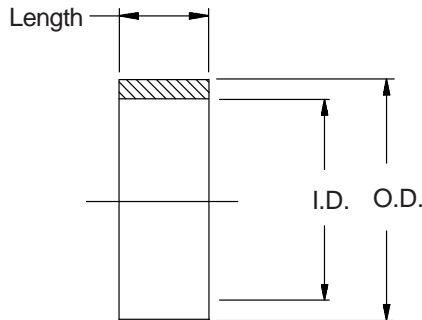
TABLE IV: CABLE ENTRY					
Dash No.	M Max	N Max	Cable Range		
			Min	Max	
01	.843 (21.4)	.625 (15.9)	.125 (3.2)	.250 (6.4)	.375 (9.5)
02	.968 (24.6)	.750 (19.1)	.156 (4.0)	.375 (9.5)	.500 (12.7)
03	1.046 (26.6)	.875 (22.2)	.250 (6.4)	.438 (11.1)	.625 (15.9)
04	1.156 (29.4)	1.000 (25.4)	.280 (7.1)	.500 (12.7)	.750 (19.1)
05	1.218 (30.9)	1.125 (28.6)	.375 (9.5)	.625 (15.9)	.875 (22.2)
06	1.343 (34.1)	1.250 (31.8)	.500 (12.7)	.750 (19.1)	1.000 (25.4)
07	1.468 (37.3)	1.375 (34.9)	.625 (15.9)	.875 (22.2)	1.125 (28.6)
08	1.593 (40.5)	1.500 (38.1)	.750 (19.1)	1.000 (25.4)	1.250 (31.8)
09	1.718 (43.6)	1.625 (41.3)	.875 (22.2)	1.125 (28.6)	1.375 (34.9)
10	1.843 (46.8)	1.750 (44.5)	1.000 (25.4)	1.250 (31.8)	1.500 (38.1)
11*	2.187 (55.5)	1.875 (47.6)	1.125 (28.6)	1.375 (34.9)	1.625 (41.3)
12*	2.312 (58.7)	2.000 (50.8)	1.250 (31.8)	1.500 (38.1)	1.750 (44.5)
13*	2.437 (61.9)	2.125 (54.0)	1.375 (34.9)	1.625 (41.3)	1.875 (47.6)
14*	2.546 (64.7)	2.250 (57.2)	1.500 (38.1)	1.750 (44.5)	2.000 (50.8)

\* Consult factory for availability

- Shield Support Ring (469-001-XX) is recommended for use in all G-Spring backshells (see page 463-8).
- When maximum cable entry (page 21) is exceeded, Style 2 will be supplied. Dimensions E, F, G and H will not apply. Please consult factory.
- Metric dimensions (mm) are indicated in parentheses.
- Cable range is defined as the accommodations range for the wire bundle or cable. Dimensions shown are not intended for inspection criteria.
- Consult factory for shorter lengths on straight backshells.

## 469-001 Shield Support Ring for Use with G-Spring Backshells

For use with  
Series 460 and  
463 G-Spring  
Backshells

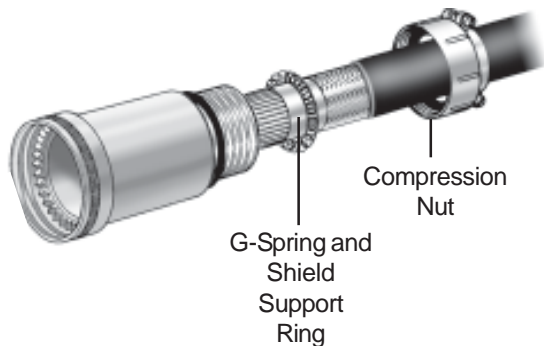


469-001-22  
Basic Part No. \_\_\_\_\_  
Dash No. \_\_\_\_\_

Dash No.	I.D. ±.010 (.3)	O.D. ±.010 (.3)	Length (Note 2)
01	.187 (4.7)	.227 (5.8)	.50 (12.7)
02	.218 (5.5)	.258 (6.6)	.50 (12.7)
03	.250 (6.4)	.290 (7.4)	.50 (12.7)
04	.281 (7.1)	.321 (8.2)	.50 (12.7)
05	.312 (7.9)	.352 (8.9)	.50 (12.7)
06	.343 (8.7)	.383 (9.7)	.50 (12.7)
07	.375 (9.5)	.415 (10.5)	.50 (12.7)
08	.406 (10.3)	.446 (11.3)	.50 (12.7)
09	.438 (11.1)	.478 (12.1)	.50 (12.7)
10	.468 (11.9)	.508 (12.9)	.50 (12.7)
11	.500 (12.7)	.540 (13.7)	.50 (12.7)
12	.531 (13.5)	.571 (14.5)	.50 (12.7)
13	.562 (14.3)	.602 (15.3)	.50 (12.7)
14	.593 (15.1)	.633 (16.1)	.50 (12.7)
15	.625 (15.9)	.665 (16.9)	.50 (12.7)
16	.656 (16.7)	.696 (17.7)	.50 (12.7)
17	.687 (17.4)	.727 (18.5)	.50 (12.7)
18	.718 (18.2)	.758 (19.3)	.50 (12.7)
19	.750 (19.1)	.790 (20.1)	.75 (19.1)
20	.781 (19.8)	.821 (20.9)	.75 (19.1)
21	.812 (20.6)	.852 (21.6)	.75 (19.1)
22	.843 (21.4)	.883 (22.4)	.75 (19.1)
23	.875 (22.2)	.915 (23.2)	.75 (19.1)
24	.906 (23.0)	.946 (24.0)	.75 (19.1)
25	.937 (23.8)	.977 (24.8)	.75 (19.1)
26	.968 (24.6)	1.008 (25.6)	.75 (19.1)
27	1.000 (25.4)	1.040 (26.4)	.75 (19.1)

Dash No.	I.D. ±.010 (.3)	O.D. ±.010 (.3)	Length (Note 2)
28	1.031 (26.2)	1.071 (27.2)	.75 (19.1)
29	1.062 (27.0)	1.102 (28.0)	.75 (19.1)
30	1.093 (27.8)	1.133 (28.8)	.75 (19.1)
31	1.125 (28.6)	1.165 (29.6)	.75 (19.1)
32	1.156 (29.4)	1.196 (30.4)	.75 (19.1)
33	1.187 (30.1)	1.227 (31.2)	.75 (19.1)
34	1.218 (30.9)	1.258 (32.0)	.75 (19.1)
35	1.250 (31.8)	1.290 (32.8)	.75 (19.1)
36	1.281 (32.5)	1.321 (33.6)	.75 (19.1)
37	1.312 (33.3)	1.352 (34.3)	1.00 (25.4)
38	1.343 (34.1)	1.383 (35.1)	1.00 (25.4)
39	1.375 (34.9)	1.415 (35.9)	1.00 (25.4)
40	1.406 (35.7)	1.446 (36.7)	1.00 (25.4)
41	1.437 (36.5)	1.477 (37.5)	1.00 (25.4)
42	1.468 (37.3)	1.508 (38.3)	1.00 (25.4)
43	1.500 (38.1)	1.540 (39.1)	1.00 (25.4)
44	1.531 (38.9)	1.571 (39.9)	1.00 (25.4)
45	1.562 (39.7)	1.602 (40.7)	1.00 (25.4)
46	1.593 (40.5)	1.633 (41.5)	1.00 (25.4)
47	1.625 (41.3)	1.665 (42.3)	1.00 (25.4)
48	1.656 (42.1)	1.696 (43.1)	1.00 (25.4)
49	1.687 (42.8)	1.727 (43.9)	1.00 (25.4)
50	1.718 (43.6)	1.758 (44.7)	1.00 (25.4)
51	1.750 (44.5)	1.790 (45.5)	1.00 (25.4)
52	1.781 (45.2)	1.821 (46.3)	1.00 (25.4)
53	1.812 (46.0)	1.852 (47.0)	1.00 (25.4)
54	1.843 (46.8)	1.883 (47.8)	1.00 (25.4)

1. Finish : Clear Anodize
2. Consult factory for other available lengths.
3. Metric dimensions (mm) are indicated in parentheses.



## PRODUCT FEATURES

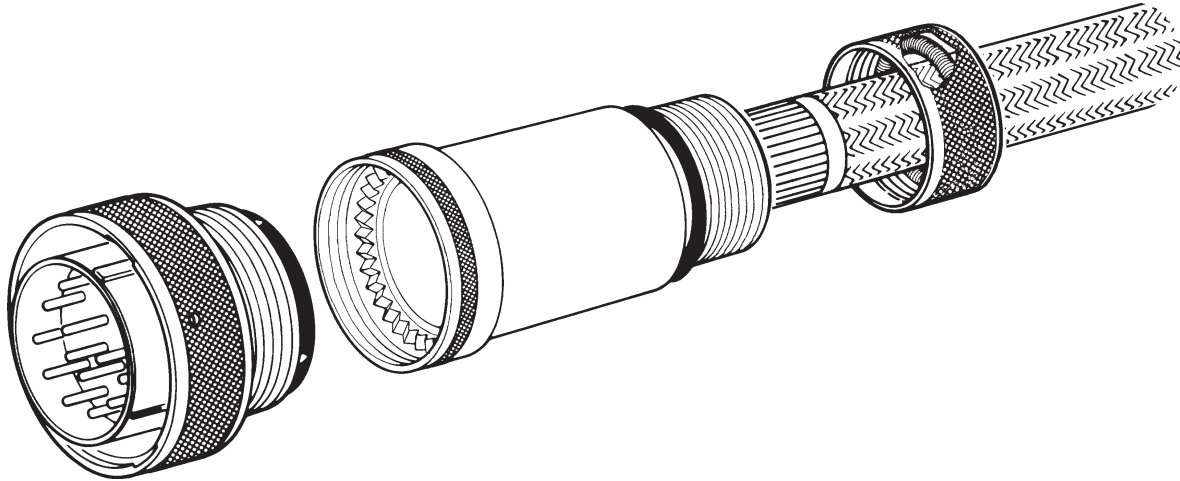
- Unique Peripheral Spring Member Ensures Cable Shield Grounding While Preventing Distortion of Shield
- G-Spring Captivated in Compression Nut to Reduce Number of Loose Parts Handled During Assembly
- Rotatable, Self-Locking and Direct Coupling Styles
- Straight, 45°, 90° and Split Configurations
- Optional Strain-Relief or Compression Nut

## G-Spring EMI/RFI backshell provides 360° grounding without damaging shielding

***Ideal for applications in which the make-up of the shield does not easily permit forming over a ground ring, banding platform or other terminating device***

Glenair's "G-Spring" backshells provide an innovative method of terminating and grounding over-all shields, screens and metal foil shielding on wiring harnesses and cables. The G-Spring design provides a peripheral spring member which compresses against the exposed shield to effect positive electrical grounding around the entire circumference of the shield. This design is particularly well suited for applications where disturbance or distortion of the shield is undesirable, or the makeup of the shield does not easily permit forming over a grounding ring or other termination device. It is available in both non-environmental and cable jacket sealing versions. An inner support ring inserted under the shield or screen prevents damage to the wire conductor insulation at the point where the G-Spring makes contact with the shield.

## ASSEMBLY INSTRUCTIONS 460-1



The following suggested procedure serves as a guide for the proper assembly and installation of Glenair EMI/RFI Non-Environmental Backshells (Type 460 G-spring Termination). It is recommended that trial samples of appropriate cables or harnesses be used to determine proper trim dimensions of the outer shield and individual conductors.

- a. Temporarily assemble backshell to connector.
- b. Place backshell, support ring (if used), G-Spring, nut or strain relief on cable or harness in sequence shown. Keep these components at a convenient distance from the end of the cable, so they will not interfere with subsequent assembly steps.
- c. Insert cable or harness into backshell and bottom against connector. Hold cable in position and mark outer shield at rear end of backshell.
- d. Remove backshell from connector and place on cable with items in step (b) above.
- e. Trim outer shield at mark made in step (c) above.
- f. Prepare and terminate contacts to individual conductors in accordance with established practices. (Crimp or solder in place.)
- g. Slide backshell forward to connector, and tighten securely.
- h. Move support ring (optional component used over loose wire bundles) forward, ahead of the trimmed outer shield, then slide support ring backward under outer shield. Pull outer shield forward covering support ring.
- i. Bring G-spring forward, and position on outer shield directly over the support at the rear of the backshell. Push G-spring and support ring into beveled area of backshell.
- j. Engage strain relief to backshell and tighten securely. Tighten relief saddles securely on cable or harness. This will then provide a good grounding or bonding joint for the over-all shields.

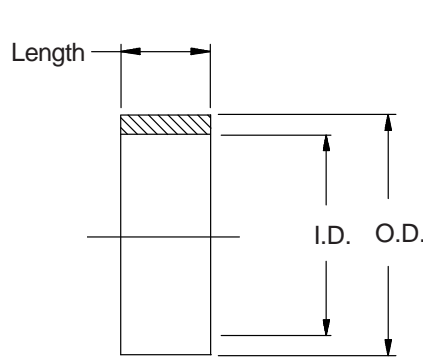
**NOTE:** As with any electrical connector assembly procedure, be sure to use the proper tools. For convenient, reliable assembly of the connector and backshell, it is suggested that Glenair's connector holding tools, strap wrenches and connector pliers be used.

# 469-001 Shield Support Ring for Use with G-Spring Backshells



460

**For use with  
Series 460 and  
463 G-Spring  
Backshells**



469-001-22  
Basic Part No. \_\_\_\_\_  
Dash No. \_\_\_\_\_

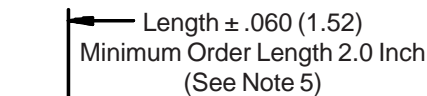
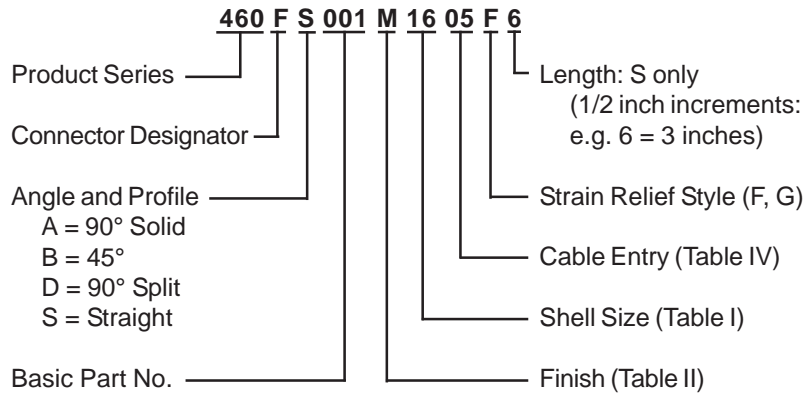
Dash No.	I.D. ±.010 (.3)	O.D. ±.010 (.3)	Length (Note 2)
01	.187 (4.7)	.227 (5.8)	.50 (12.7)
02	.218 (5.5)	.258 (6.6)	.50 (12.7)
03	.250 (6.4)	.290 (7.4)	.50 (12.7)
04	.281 (7.1)	.321 (8.2)	.50 (12.7)
05	.312 (7.9)	.352 (8.9)	.50 (12.7)
06	.343 (8.7)	.383 (9.7)	.50 (12.7)
07	.375 (9.5)	.415 (10.5)	.50 (12.7)
08	.406 (10.3)	.446 (11.3)	.50 (12.7)
09	.438 (11.1)	.478 (12.1)	.50 (12.7)
10	.468 (11.9)	.508 (12.9)	.50 (12.7)
11	.500 (12.7)	.540 (13.7)	.50 (12.7)
12	.531 (13.5)	.571 (14.5)	.50 (12.7)
13	.562 (14.3)	.602 (15.3)	.50 (12.7)
14	.593 (15.1)	.633 (16.1)	.50 (12.7)
15	.625 (15.9)	.665 (16.9)	.50 (12.7)
16	.656 (16.7)	.696 (17.7)	.50 (12.7)
17	.687 (17.4)	.727 (18.5)	.50 (12.7)
18	.718 (18.2)	.758 (19.3)	.50 (12.7)
19	.750 (19.1)	.790 (20.1)	.75 (19.1)
20	.781 (19.8)	.821 (20.9)	.75 (19.1)
21	.812 (20.6)	.852 (21.6)	.75 (19.1)
22	.843 (21.4)	.883 (22.4)	.75 (19.1)
23	.875 (22.2)	.915 (23.2)	.75 (19.1)
24	.906 (23.0)	.946 (24.0)	.75 (19.1)
25	.937 (23.8)	.977 (24.8)	.75 (19.1)
26	.968 (24.6)	1.008 (25.6)	.75 (19.1)
27	1.000 (25.4)	1.040 (26.4)	.75 (19.1)

Dash No.	I.D. ±.010 (.3)	O.D. ±.010 (.3)	Length (Note 2)
28	1.031 (26.2)	1.071 (27.2)	.75 (19.1)
29	1.062 (27.0)	1.102 (28.0)	.75 (19.1)
30	1.093 (27.8)	1.133 (28.8)	.75 (19.1)
31	1.125 (28.6)	1.165 (29.6)	.75 (19.1)
32	1.156 (29.4)	1.196 (30.4)	.75 (19.1)
33	1.187 (30.1)	1.227 (31.2)	.75 (19.1)
34	1.218 (30.9)	1.258 (32.0)	.75 (19.1)
35	1.250 (31.8)	1.290 (32.8)	.75 (19.1)
36	1.281 (32.5)	1.321 (33.6)	.75 (19.1)
37	1.312 (33.3)	1.352 (34.3)	1.00 (25.4)
38	1.343 (34.1)	1.383 (35.1)	1.00 (25.4)
39	1.375 (34.9)	1.415 (35.9)	1.00 (25.4)
40	1.406 (35.7)	1.446 (36.7)	1.00 (25.4)
41	1.437 (36.5)	1.477 (37.5)	1.00 (25.4)
42	1.468 (37.3)	1.508 (38.3)	1.00 (25.4)
43	1.500 (38.1)	1.540 (39.1)	1.00 (25.4)
44	1.531 (38.9)	1.571 (39.9)	1.00 (25.4)
45	1.562 (39.7)	1.602 (40.7)	1.00 (25.4)
46	1.593 (40.5)	1.633 (41.5)	1.00 (25.4)
47	1.625 (41.3)	1.665 (42.3)	1.00 (25.4)
48	1.656 (42.1)	1.696 (43.1)	1.00 (25.4)
49	1.687 (42.8)	1.727 (43.9)	1.00 (25.4)
50	1.718 (43.6)	1.758 (44.7)	1.00 (25.4)
51	1.750 (44.5)	1.790 (45.5)	1.00 (25.4)
52	1.781 (45.2)	1.821 (46.3)	1.00 (25.4)
53	1.812 (46.0)	1.852 (47.0)	1.00 (25.4)
54	1.843 (46.8)	1.883 (47.8)	1.00 (25.4)

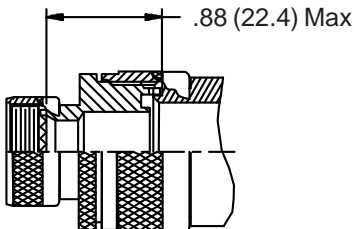
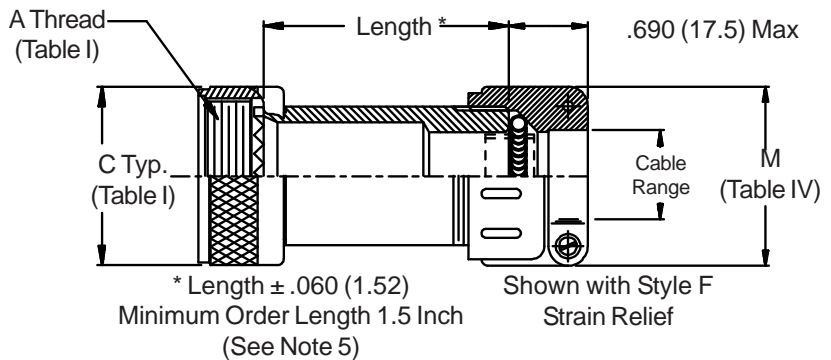
1. Finish : Clear Anodize
2. Consult factory for other available lengths.
3. Metric dimensions (mm) are indicated in parentheses.



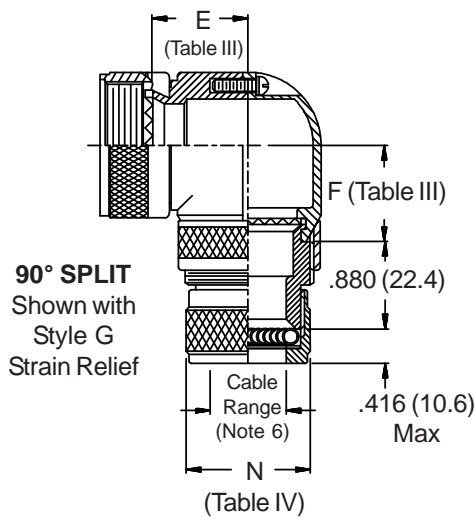
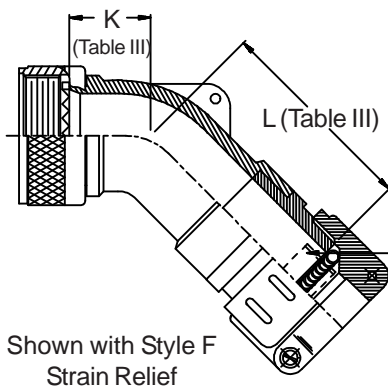
**CONNECTOR DESIGNATORS**  
**A-F-H-L-S**  
**ROTATABLE COUPLING**



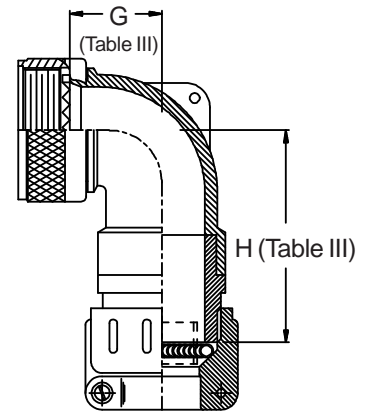
**STYLE 2**  
**(STRAIGHT**  
**See Note 1)**



**STYLE 2**  
**(45° & 90°**  
**See Note 1)**



**90° SPLIT**  
 Shown with  
 Style G  
 Strain Relief



**90° SOLID**  
 Shown with Style F  
 Strain Relief

**460-001**  
**EMI/RFI Non-Environmental G-Spring Backshell**  
**with Strain Relief**  
**Rotatable Coupling - Low Profile**



460

See inside back cover fold-out or pages 13 and 14 for Tables I and II.

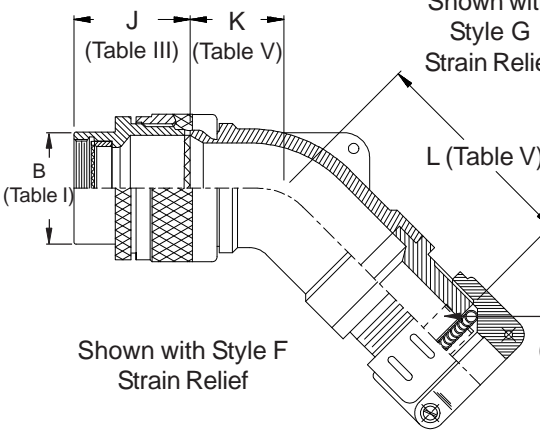
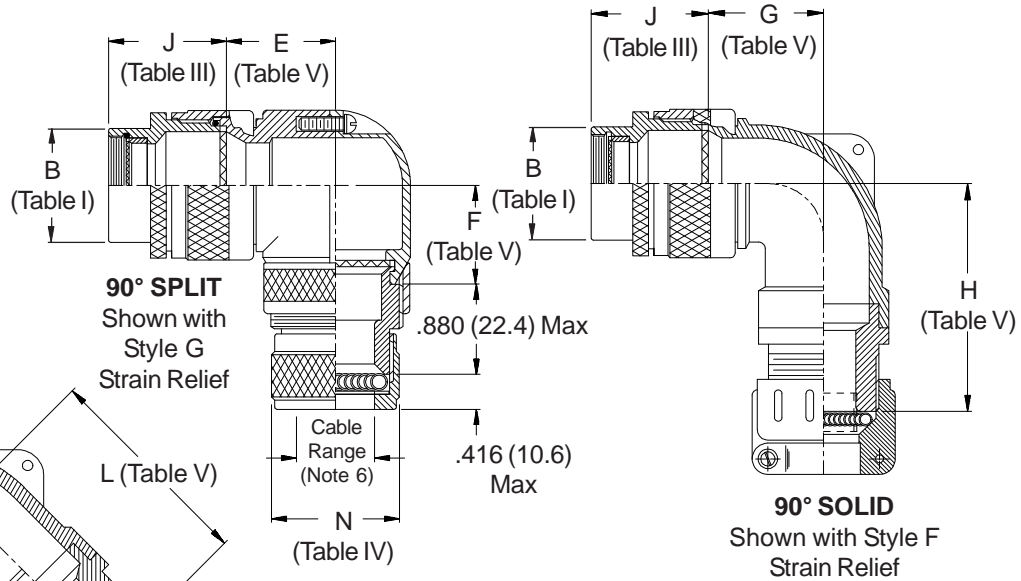
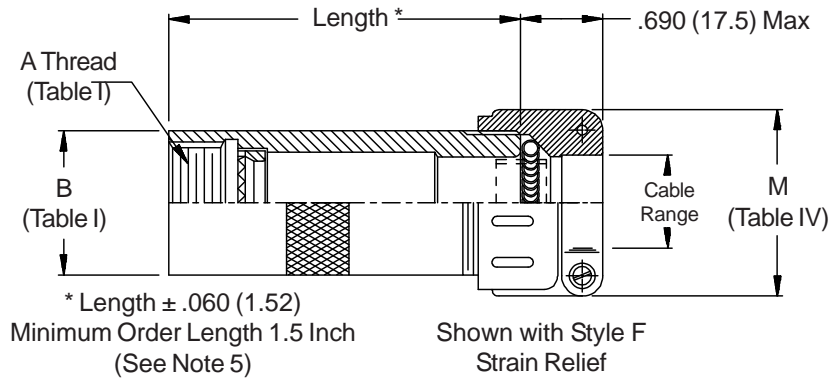
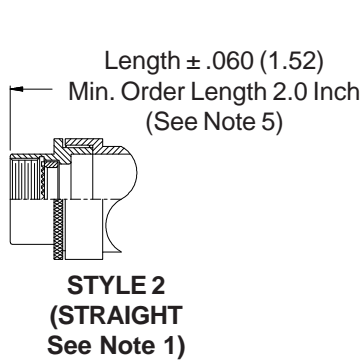
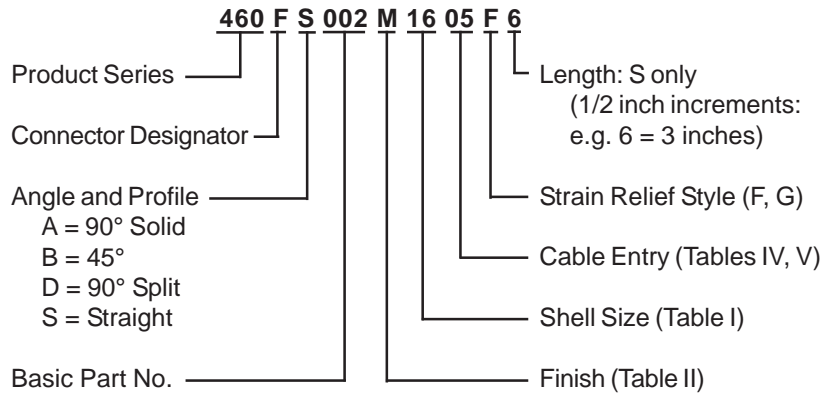
TABLE III: ELBOW DIMENSIONS									
Shell Size		E Max	F Max	G Max	H Max	K Max	L Max	Conn. Desig.	
A-F-L-S	H								
08	09	.680 (17.3)	.560 (14.2)	.500 (12.7)	1.670 (42.4)	.413 (10.5)	1.720 (43.7)		
10	11	.750 (19.1)	.620 (15.7)	.595 (15.1)	1.790 (45.5)	.520 (13.2)	1.720 (43.7)		
12	13	.810 (20.6)	.690 (17.5)	.610 (15.5)	1.810 (46.0)	.582 (14.8)	1.780 (45.2)		
14	15	.870 (22.1)	.720 (18.3)	.700 (17.8)	1.880 (47.8)	.645 (16.4)	1.870 (47.5)		
16	17	.930 (23.6)	.820 (20.8)	.885 (22.5)	1.970 (50.0)	.738 (18.7)	1.980 (50.3)		
18	19	1.000 (25.4)	.880 (22.4)	.975 (24.8)	2.140 (54.4)	.926 (23.5)	2.170 (55.1)		
20	21	1.060 (26.9)	.940 (23.9)	.975 (24.8)	2.140 (54.4)	.926 (23.5)	2.170 (55.1)		
22	23	1.120 (28.4)	1.000 (25.4)	1.125 (28.6)	2.250 (57.2)	1.020 (25.9)	2.320 (58.9)		
24	25	1.180 (30.0)	1.060 (26.9)	1.125 (28.6)	2.250 (57.2)	1.020 (25.9)	2.320 (58.9)		
28		1.312 (33.3)	1.219 (31.0)	1.225 (31.1)	2.420 (61.5)	1.145 (29.1)	2.370 (60.2)		
32		1.562 (39.7)	1.483 (37.7)	1.575 (40.0)	2.670 (67.8)	1.207 (30.7)	2.470 (62.7)		
36		1.688 (42.9)	1.656 (42.1)	1.775 (45.1)	2.670 (67.8)	1.238 (31.4)	2.560 (65.0)		

TABLE IV: CABLE ENTRY					
Dash No.	M Max	N Max	Cable Range		
			Min	Max	
01	.843 (21.4)	.625 (15.9)	.156 (4.0)	.250 (6.4)	
02	.968 (24.6)	.750 (19.1)	.188 (4.8)	.375 (9.5)	
03	1.046 (26.6)	.875 (22.2)	.250 (6.4)	.438 (11.1)	
04	1.156 (29.4)	1.000 (25.4)	.280 (7.1)	.500 (12.7)	
05	1.218 (30.9)	1.125 (28.6)	.375 (9.5)	.625 (15.9)	
06	1.343 (34.1)	1.250 (31.8)	.500 (12.7)	.750 (19.1)	
07	1.468 (37.3)	1.375 (34.9)	.625 (15.9)	.875 (22.2)	
08	1.593 (40.5)	1.500 (38.1)	.750 (19.1)	1.000 (25.4)	
09	1.718 (43.6)	1.625 (41.3)	.875 (22.2)	1.125 (28.6)	
10	1.843 (46.8)	1.750 (44.5)	1.000 (25.4)	1.250 (31.8)	
11*	2.187 (55.5)	1.875 (47.6)	1.125 (28.6)	1.375 (34.9)	
12*	2.312 (58.7)	2.000 (50.8)	1.250 (31.8)	1.500 (38.1)	
13*	2.437 (61.9)	2.125 (54.0)	1.375 (34.9)	1.625 (41.3)	
14*	2.546 (64.7)	2.250 (57.2)	1.500 (38.1)	1.750 (44.5)	

\* Consult factory for availability

1. Shield Support Ring (469-001-XX) is recommended for use in all G-Spring backshells (see page 463-8).
2. When maximum cable entry (page 21) is exceeded, Style 2 will be supplied. Dimensions E, F, G, H, K and L will not apply. Please consult factory.
3. Metric dimensions (mm) are indicated in parentheses.
4. Cable range is defined as the accommodations range for the wire bundle or cable. Dimensions shown are not intended for inspection criteria.
5. Consult factory for shorter lengths on straight backshells.
6. Maximum cable entry available for split elbow is 1.188 (30.2).

**CONNECTOR DESIGNATORS**  
**A-B\*-C-D-E-F**  
**G-H-J-K-L-S**  
 \* Conn. Desig. B See Note 7  
**DIRECT COUPLING**



469-001-XX Shield Support Ring (order separately) is recommended for use in all G-Spring backshells (see page 463-8)

**460-002**  
**EMI/RFI Non-Environmental G-Spring Backshell**  
with Strain Relief  
**Direct Coupling - Low Profile and Split 90°**



See inside back cover fold-out or pages 13 and 14 for Tables I and II.

TABLE III: FRONT ADAPTER			
Shell Size	J Max - Conn. Designator		
	A-E-F		
	J-H-L-S	D-B-G-K	C
08/09	1.180(30.0)	1.440(36.6)	
10/11	1.180(30.0)	1.440(36.6)	
12/13	1.180(30.0)	1.440(36.6)	1.735(44.1)
14/15	1.180(30.0)	1.440(36.6)	1.915(48.6)
16/17	1.380(35.0)	1.560(39.6)	1.915(48.6)
18/19	1.380(35.0)	1.560(39.6)	1.915(48.6)
20/21	1.380(35.0)	1.560(39.6)	1.915(48.6)
22/23	1.380(35.0)	1.560(39.6)	1.915(48.6)
24/25	1.380(35.0)	1.560(39.6)	1.915(48.6)
28/29	1.610 (40.9)	1.560(39.6)	1.915(48.6)
32/33	1.610(40.9)	1.750(44.5)	1.915(48.6)
36	1.610(40.9)	1.750(44.5)	1.915(48.6)
40	1.610(40.9)	2.190(55.6)	1.915(48.6)

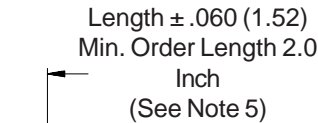
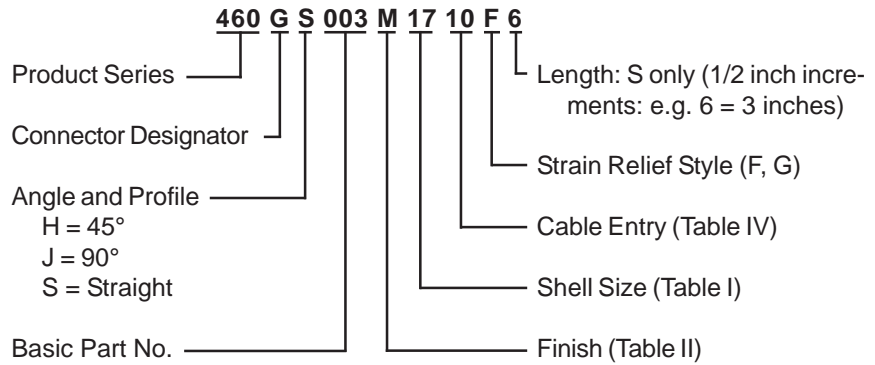
TABLE IV: CABLE ENTRY							
Dash No.	M Max	N Max	Cable Range				
			Min		Max		
01	.843 (21.4)	.625 (15.9)	.156 (4.0)	.250 (6.4)			
02	.968 (24.6)	.750 (19.1)	.188 (4.8)	.375 (9.5)			
03	1.046 (26.6)	.875 (22.2)	.250 (6.4)	.438 (11.1)			
04	1.156 (29.4)	1.000 (25.4)	.280 (7.1)	.500 (12.7)			
05	1.218 (30.9)	1.125 (28.6)	.375 (9.5)	.625 (15.9)			
06	1.343 (34.1)	1.250 (31.8)	.500 (12.7)	.750 (19.1)			
07	1.468 (37.3)	1.375 (34.9)	.625 (15.9)	.875 (22.2)			
08	1.593 (40.5)	1.500 (38.1)	.750 (19.1)	1.000 (25.4)			
09	1.718 (43.6)	1.625 (41.3)	.875 (22.2)	1.125 (28.6)			
10	1.843 (46.8)	1.750 (44.5)	1.000 (25.4)	1.250 (31.8)			
11*	2.187 (55.5)	1.875 (47.6)	1.125 (28.6)	1.375 (34.9)			
12*	2.312 (58.7)	2.000 (50.8)	1.250 (31.8)	1.500 (38.1)			
13*	2.437 (61.9)	2.125 (54.0)	1.375 (34.9)	1.625 (41.3)			
14*	2.546 (64.7)	2.250 (57.2)	1.500 (38.1)	1.750 (44.5)			

\* Consult factory for availability

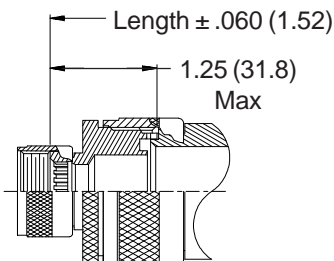
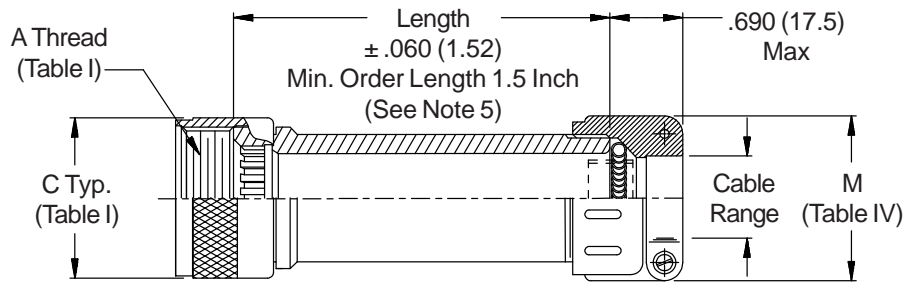
TABLE V: DIMENSIONS							
Dash No.	E Max	F Max	G Max	H Max	K Max	L Max	
01	.680 (17.3)	.560 (14.2)	.636 (16.2)	1.670 (42.4)	.630 (16.0)	1.720 (43.7)	
02	.750 (19.1)	.620 (15.7)	.710 (18.0)	1.790 (45.5)	.630 (16.0)	1.720 (43.7)	
03	.810 (20.6)	.690 (17.5)	.734 (18.6)	1.810 (46.0)	.692 (17.6)	1.780 (45.2)	
04	.870 (22.1)	.720 (18.3)	.825 (21.0)	1.880 (47.8)	.755 (19.2)	1.870 (47.5)	
05	.930 (23.6)	.820 (20.8)	.988 (25.1)	1.970 (50.0)	.848 (21.5)	1.980 (50.3)	
06	1.000 (25.4)	.880 (22.4)	1.087 (27.6)	2.140 (54.4)	1.036 (26.3)	2.170 (55.1)	
07	1.060 (26.9)	.940 (23.9)	1.087 (27.6)	2.140 (54.4)	1.036 (26.3)	2.170 (55.1)	
08	1.120 (28.4)	1.000 (25.4)	1.325 (33.7)	2.250 (57.2)	1.130 (28.7)	2.320 (58.9)	
09	1.180 (30.0)	1.060 (26.9)	1.325 (33.7)	2.250 (57.2)	1.130 (28.7)	2.320 (58.9)	
10	1.180 (30.0)	1.060 (26.9)	1.337 (34.0)	2.420 (61.5)	1.255 (31.9)	2.370 (60.2)	
11	1.312 (33.3)	1.219 (31.0)	1.827 (46.4)	2.670 (67.8)	1.317 (33.5)	2.470 (62.7)	
12	1.562 (39.7)	1.438 (36.5)	1.827 (46.4)	2.670 (67.8)	1.317 (33.5)	2.470 (62.7)	
13	1.562 (39.7)	1.438 (36.5)	2.027 (51.5)	2.670 (67.8)	1.348 (34.2)	2.560 (65.0)	
14	1.688 (42.9)	1.656 (42.1)	2.027 (51.5)	2.670 (67.8)	1.348 (34.2)	2.560 (65.0)	

- Shield Support Ring (469-001-XX) is recommended for use in all G-Spring backshells (see page 463-8).
- When maximum cable entry (page 22) is exceeded, Style 2 will be supplied. Angular Function S only.
- Metric dimensions (mm) are indicated in parentheses.
- Cable range is defined as the accommodations range for the wire bundle or cable. Dimensions shown are not intended for inspection criteria.
- Consult factory for shorter lengths on straight backshells.
- Maximum cable entry available for split elbow is 1.188 (30.2).
- When using Connector Designator B refer to pages 18 and 19 for part number development.

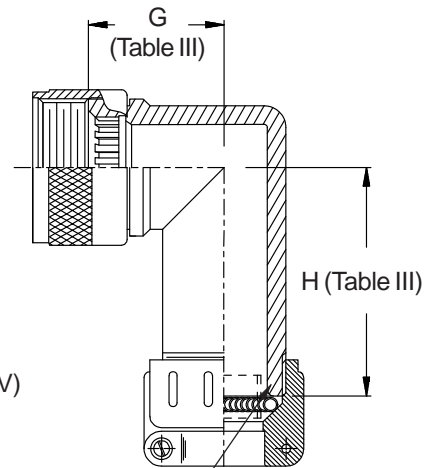
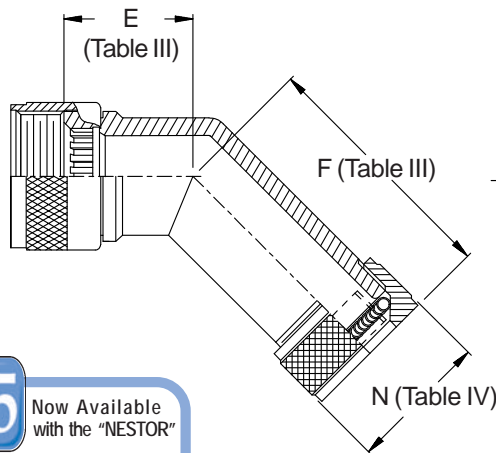
**CONNECTOR  
 DESIGNATOR**  
**G**  
**ROTATABLE  
 COUPLING**



**STYLE 2  
 (STRAIGHT  
 See Note 1)**



**STYLE 2  
 (45° & 90°  
 See Note 1)**



**-445** Now Available with the "NESTOR"

Add "-445" to Specify Glenair's Non-Detent, Spring-Loaded, Self-Locking Coupling. See Page 41 for Details.

469-001-XX Shield Support Ring (order separately) is recommended for use in all G-Spring backshells (see page 463-8)

See inside back cover  
 fold-out or pages 13 and  
 14 for Tables I and II.

<b>TABLE III: ELBOW DIMENSIONS</b>				
<b>Shell Size</b>	<b>E Max</b>	<b>F Max</b>	<b>G Max</b>	<b>H Max</b>
11	1.240 (31.5)	.980 (24.9)	1.380 (35.1)	1.120 (28.4)
13	1.260 (32.0)	1.000 (25.4)	1.440 (36.6)	1.180 (30.0)
15	1.290 (32.8)	1.030 (26.2)	1.500 (38.1)	1.250 (31.8)
17	1.310 (33.3)	1.050 (26.7)	1.570 (39.9)	1.310 (33.3)
19	1.340 (34.0)	1.080 (27.4)	1.630 (41.4)	1.390 (35.3)
23	1.380 (35.1)	1.120 (28.4)	1.730 (43.9)	1.470 (37.3)
25	1.410 (35.8)	1.150 (29.2)	1.800 (45.7)	1.540 (39.1)
29	1.580 (40.1)	1.320 (33.5)	2.040 (51.8)	1.780 (45.2)
33	1.620 (41.1)	1.360 (34.5)	2.130 (54.1)	1.870 (47.5)

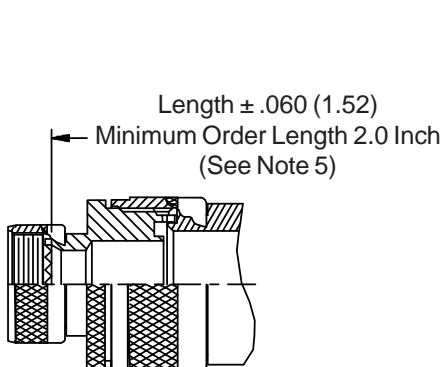
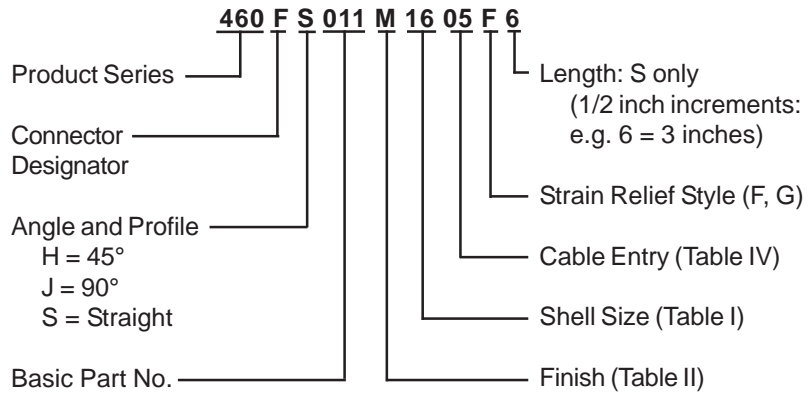
<b>TABLE IV: CABLE ENTRY</b>						
<b>Dash No.</b>	<b>M Max</b>	<b>N Max</b>	<b>Cable Range</b>			
			<b>Min</b>	<b>Max</b>		
01	.843 (21.4)	.625 (15.9)	.156 (4.0)	.250 (6.4)		
02	.968 (24.6)	.750 (19.1)	.188 (4.8)	.375 (9.5)		
03	1.046 (26.6)	.875 (22.2)	.250 (6.4)	.438 (11.1)		
04	1.156 (29.4)	1.000 (25.4)	.280 (7.1)	.500 (12.7)		
05	1.218 (30.9)	1.125 (28.6)	.375 (9.5)	.625 (15.9)		
06	1.343 (34.1)	1.250 (31.8)	.500 (12.7)	.750 (19.1)		
07	1.468 (37.3)	1.375 (34.9)	.625 (15.9)	.875 (22.2)		
08	1.593 (40.5)	1.500 (38.1)	.750 (19.1)	1.000 (25.4)		
09	1.718 (43.6)	1.625 (41.3)	.875 (22.2)	1.125 (28.6)		
10	1.843 (46.8)	1.750 (44.5)	1.000 (25.4)	1.250 (31.8)		
11*	2.187 (55.5)	1.875 (47.6)	1.125 (28.6)	1.375 (34.9)		
12*	2.312 (58.7)	2.000 (50.8)	1.250 (31.8)	1.500 (38.1)		
13*	2.437 (61.9)	2.125 (54.0)	1.375 (34.9)	1.625 (41.3)		
14*	2.546 (64.7)	2.250 (57.2)	1.500 (38.1)	1.750 (44.5)		

\* Consult factory for availability

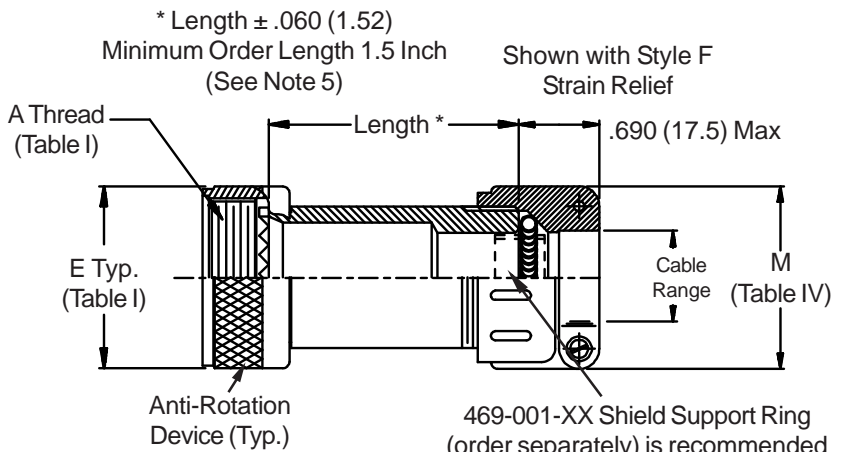
1. Shield Support Ring (469-001-XX) is recommended for use in all G-Spring backshells (see page 463-8).
2. When maximum cable entry (page 21) is exceeded, Style 2 will be supplied. Dimensions E, F, G and H will not apply. Please consult factory.
3. Metric dimensions (mm) are indicated in parentheses.
4. Cable range is defined as the accommodations range for the wire bundle or cable. Dimensions shown are not intended for inspection criteria.
5. Consult factory for shorter lengths on straight backshells.



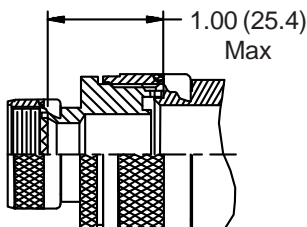
**CONNECTOR  
 DESIGNATORS  
 A-F-H-L-S  
 SELF-LOCKING  
 ROTATABLE  
 COUPLING**



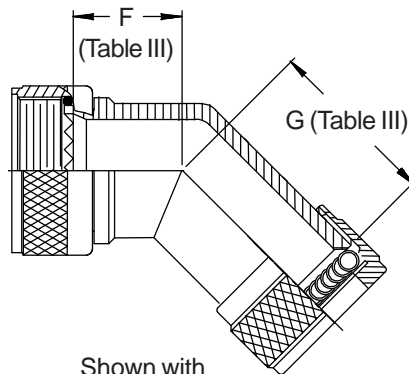
**STYLE 2  
 (STRAIGHT  
 See Note 1)**



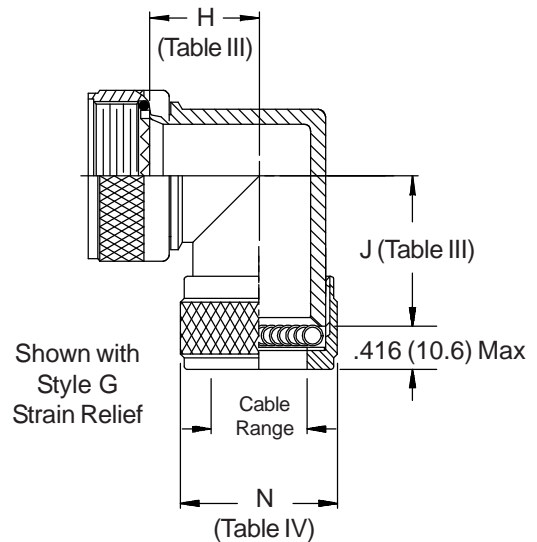
469-001-XX Shield Support Ring (order separately) is recommended for use in all G-Spring backshells (see page 463-8)



**STYLE 2  
 (45° & 90°  
 See Note 1)**



Shown with Style G Strain Relief



Shown with Style G Strain Relief

See inside back cover fold-out or pages 13 and 14 for Tables I and II.

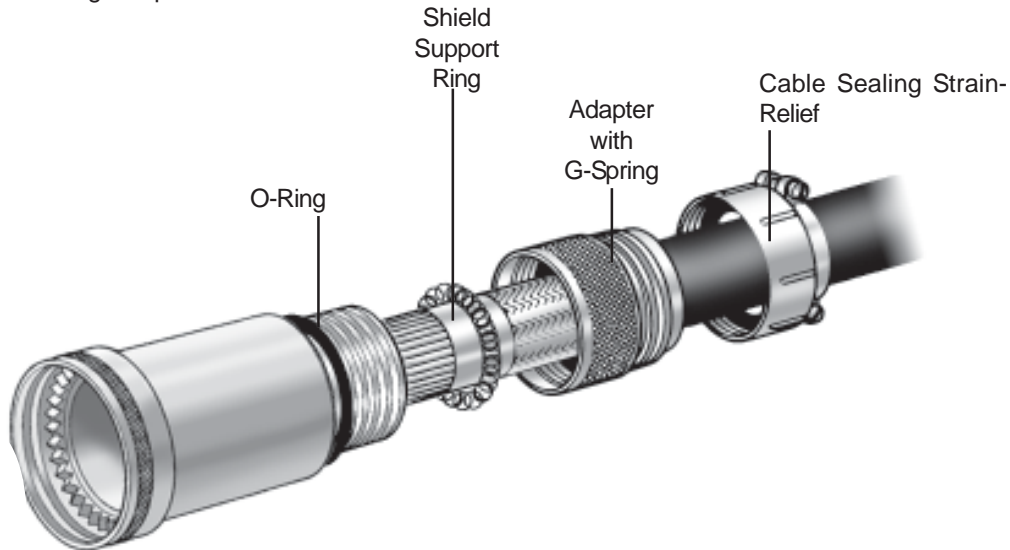
TABLE III: ELBOW DIMENSIONS						
Shell Size		F Max	G Max	H Max	J Max	
Conn. Desig. A-F-L-S	H					
08	09	.795 (20.2)	.950 (24.1)	.906 (23.0)	1.040 (26.4)	
10	11	.820 (20.8)	.980 (24.9)	.966 (24.5)	1.090 (27.7)	
12	13	.844 (21.4)	1.000 (25.4)	1.026 (26.1)	1.150 (29.2)	
14	15	.861 (21.9)	1.030 (26.2)	1.076 (27.3)	1.200 (30.5)	
16	17	.888 (22.6)	1.050 (26.7)	1.136 (28.9)	1.250 (31.8)	
18	19	.904 (23.0)	1.060 (26.9)	1.176 (29.9)	1.300 (33.0)	
20	21	.929 (23.6)	1.080 (27.4)	1.236 (31.4)	1.360 (34.5)	
22	23	.956 (24.3)	1.120 (28.4)	1.296 (32.9)	1.420 (36.1)	
24	25	.979 (24.9)	1.150 (29.2)	1.356 (34.4)	1.480 (37.6)	
28		1.197 (30.4)	1.270 (32.3)	1.636 (41.6)	1.600 (40.6)	
32		1.294 (32.9)	1.350 (34.3)	1.876 (47.7)	1.780 (45.2)	
36		1.340 (34.0)	1.515 (38.5)	1.986 (50.4)	1.890 (48.0)	

TABLE IV: CABLE ENTRY					
Dash No.	M Max	N Max	Cable Range		
			Min	Max	
01	.843 (21.4)	.625 (15.9)	.156 (4.0)	.250 (6.4)	
02	.968 (24.6)	.750 (19.1)	.188 (4.8)	.375 (9.5)	
03	1.046 (26.6)	.875 (22.2)	.250 (6.4)	.438 (11.1)	
04	1.156 (29.4)	1.000 (25.4)	.280 (7.1)	.500 (12.7)	
05	1.218 (30.9)	1.125 (28.6)	.375 (9.5)	.625 (15.9)	
06	1.343 (34.1)	1.250 (31.8)	.500 (12.7)	.750 (19.1)	
07	1.468 (37.3)	1.375 (34.9)	.625 (15.9)	.875 (22.2)	
08	1.593 (40.5)	1.500 (38.1)	.750 (19.1)	1.000 (25.4)	
09	1.718 (43.6)	1.625 (41.3)	.875 (22.2)	1.125 (28.6)	
10	1.843 (46.8)	1.750 (44.5)	1.000 (25.4)	1.250 (31.8)	
11*	2.187 (55.5)	1.875 (47.6)	1.125 (28.6)	1.375 (34.9)	
12*	2.311 (58.7)	2.000 (50.8)	1.250 (31.8)	1.500 (38.1)	
13*	2.437 (61.9)	2.125 (54.0)	1.375 (34.9)	1.625 (41.3)	
14*	2.546 (64.7)	2.250 (57.2)	1.500 (38.1)	1.750 (44.5)	

\* Consult factory for availability

1. Shield Support Ring (469-001-XX) is recommended for use in all G-Spring backshells (see page 463-8).
2. When maximum cable entry (page 21) is exceeded, Style 2 will be supplied. Dimensions E, F, G, and H will not apply. Please consult factory.
3. Metric dimensions (mm) are indicated in parentheses.
4. Cable range is defined as the accommodations range for the wire bundle or cable. Dimensions shown are not intended for inspection criteria.
5. Consult factory for shorter lengths on straight backshells.

This series is the same as the Series 460, except it provides environmental sealing on a jacketed cable. This utilizes our low profile O-Ring compression seal.



## ASSEMBLY INSTRUCTIONS 463-1

The following suggested procedure serves as a guide for the proper assembly and installation of Glenair EMI/RFI Environmental Backshells (Type 463 G-Spring Termination). It is recommended that trial samples of appropriate cables or harnesses be used to determine proper trim dimensions of the outer shield and individual conductors. This procedure is for the three ring style.

- a. Temporarily assemble backshell (1) to connector.
- b. Place backshell, support ring (if used), G-spring, and strain relief on the cable in sequence shown. Keep these components at a convenient distance from the end of the cable, so they will not interfere with subsequent assembly steps.
- c. Insert cable or harness into backshell and bottom against connector. Hold cable in position and mark outer shield at rear end of backshell.
- d. Remove backshell from connector and place on cable with items in step (b) above.
- e. Trim outer shield at mark made in step (c) above.
- f. Prepare and terminate contacts to individual conductors in accordance with established practices. (Crimp or solder in place.)
- g. Slide backshell forward to connector, and tighten securely.
- h. Move support ring (optional component used over loose wire bundles) forward, ahead of the trimmed outer shield, then slide support ring backward under outer shield, pull outer shield forward covering support ring.
- i. Bring G-spring forward, and position on outer shield directly over the support ring at the rear of the backshell. Then push G-spring and support ring into beveled area of backshell. Thread rear backshell onto front thus compressing G-spring, providing the shield bonding joint.
- j. Engage O-ring and strain relief to backshell and tighten securely. Tighten relief saddles securely on cable or harness. This will then provide an environmental resisting seal on the cable jacket, along with strain relief.

Note: As with any electrical connector assembly procedure, be sure to use the proper tools. For convenient, reliable assembly of the connector and backshell, it is suggested that Glenair's connector holding tools, strap wrenches and connector pliers be used.



## PRODUCT FEATURES

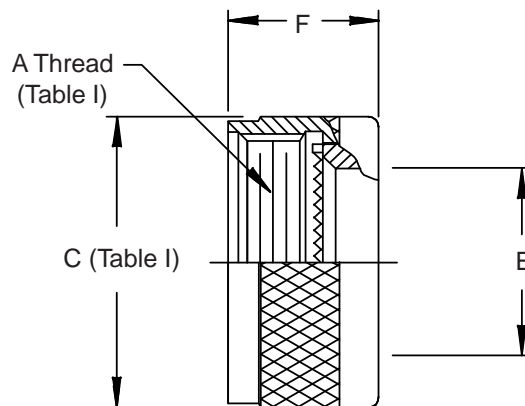
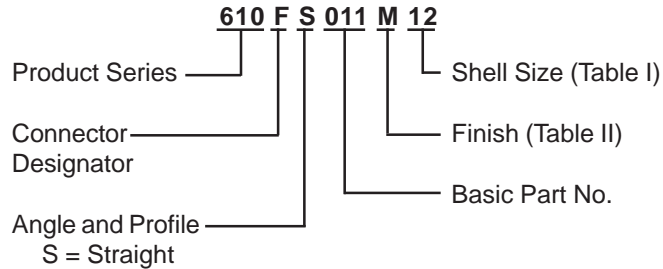
- Simple Backshell Nut Ring for Inside-the-Box Applications
- Non-Environmental
- Rotatable and Direct Coupling Styles
- Straight Configurations Only

"E" Nuts fulfill basic backshell requirements for OEM systems which require a connector rear-end accessory

***Designed to fill connector rear-end threads and compress connector sealing grommets in Inside-the-Box applications***

This section describes the small family of backshells without strain relief for use with circular connectors. (These are most commonly referred to as "E" Nuts.) "E" Nuts are typically used inside box applications where there is no EMI/RFI, environmental or strain-relief requirement. But because some OEMs require that all connectors be equipped with a backshell, the simple "E" nut has broad application in the interconnect industry. More importantly, by filling the threads on the back of the connector, the "E" nuts serves to compress the connector sealing grommet. This insures proper performance for those connector designs which require pressure on the grommet to stabilize and align connector contacts.

**CONNECTOR  
DESIGNATORS  
A-F-H-L-S  
ROTATABLE  
COUPLING**



See inside back cover fold-out or pages 13 and 14 for Tables I and II.

TABLE III: CABLE ENTRY				
Shell Size				
Conn. Desig.	H	E Dia	Ref	F Max
A-F-L-S				
08	09	.270	(6.9)	.710 (18.0)
10	11	.375	(9.5)	.710 (18.0)
12	13	.511	(13.0)	.710 (18.0)
14	15	.585	(14.9)	.710 (18.0)
16	17	.710	(18.0)	.710 (18.0)
18	19	.789	(20.0)	.710 (18.0)
20	21	.914	(23.2)	.710 (18.0)
22	23	1.039	(26.4)	.710 (18.0)
24	25	1.154	(29.3)	.710 (18.0)
28		1.389	(35.3)	.890 (22.6)
32		1.635	(41.5)	.890 (22.6)
36		1.850	(47.0)	.890 (22.6)

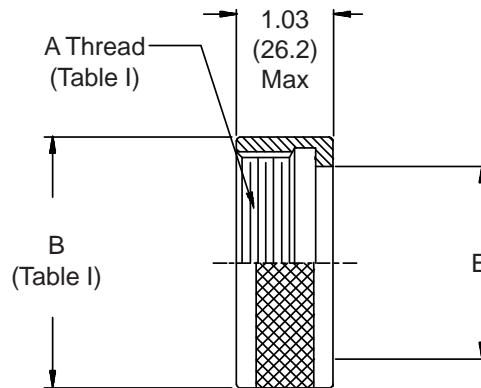
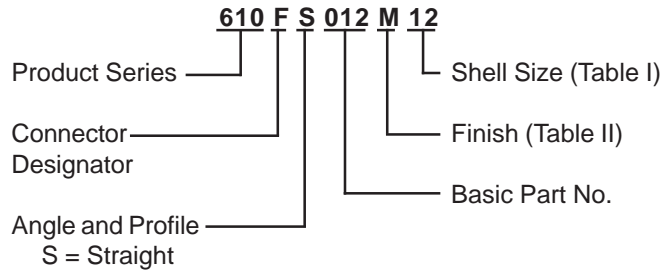
Metric dimensions (mm) are indicated in parentheses.

610-012  
Direct Coupling "E" Nut



**CONNECTOR  
DESIGNATORS**  
**A-B\*-C-D-E-F**  
**G-H-J-K-L-S**

\* Conn. Desig. B See Note 2  
**DIRECT COUPLING**



See inside back cover fold-out or pages 13 and 14 for Tables I and II.

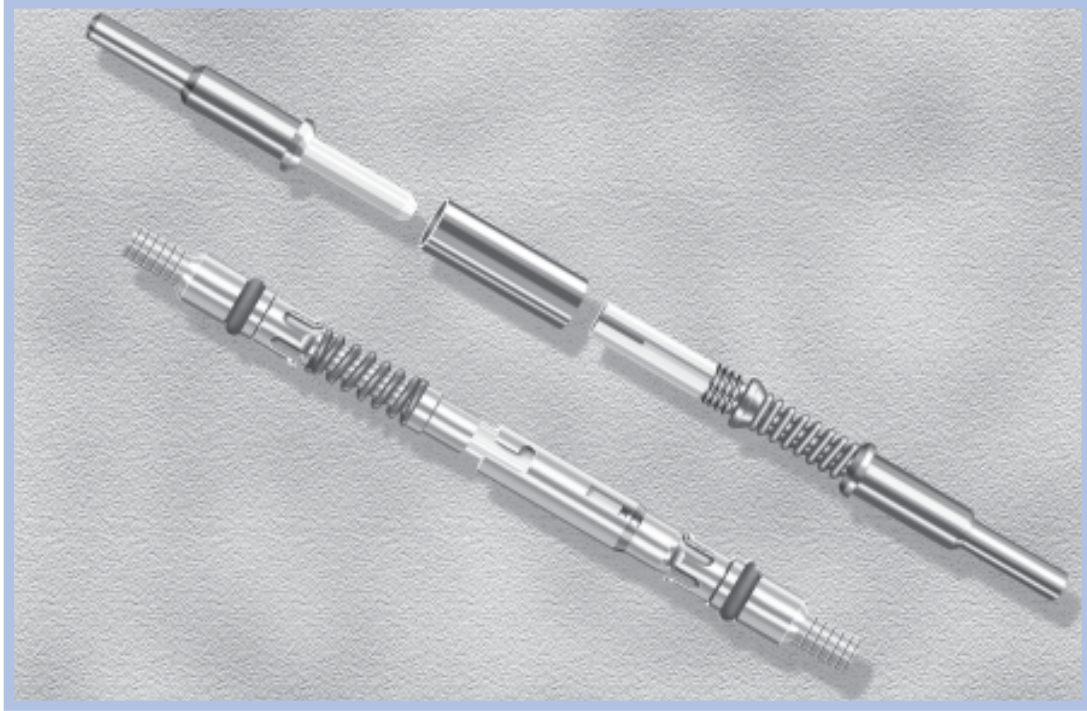
**TABLE III: CABLE ENTRY**

Shell Size	E Dia Ref
08/09	.250 (6.4)
10/11	.303 (7.7)
12/13	.408 (10.4)
14/15	.490 (12.4)
16/17	.609 (15.5)
18/19	.730 (18.5)
20/21	.870 (22.1)
22/23	.978 (24.8)
24/25	1.090 (27.7)
28/29	1.250 (31.8)
32/33	1.520 (38.6)
36	1.756 (44.6)

1. Metric dimensions (mm) are indicated in parentheses.
2. When using Connector Designator B refer to pages 18 and 19 for part number development.



# Good Things Come In Small Packages



## And at Glenair, They Ship the Same Day

**T**ired of long lead times for fiber optic connectors and contacts? Then consider the Glenair difference: We've placed our products in stock, in quantity, and ready for immediate shipment—including both our MIL-T-29504 qualified pin and socket termini as well as our new front-

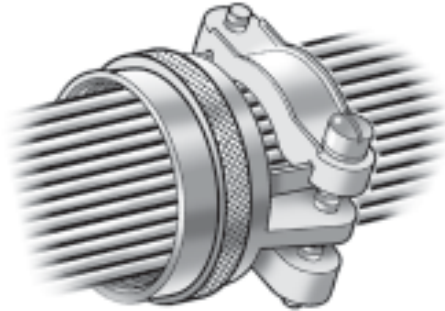
release 181-011 and 181-012 designs. Consider as well Glenair's "no minimum order" policy and our lightning fast turnaround on quotes for price and delivery. At Glenair, we're committed to keeping our products, programs and services current with your every need.



1211 Air Way  
Glendale, California 91201-2497  
Telephone: 818-247-6000 · Facsimilie: 818-500-9912 · EMail: sales@glenair.com

United States · United Kingdom · Germany · Nordic · France · Italy · Spain

[www.glenair.com](http://www.glenair.com)



## PRODUCT FEATURES

- Light, Medium and Heavy Duty Saddle-Bar Type Strain-Reliefs
- Available for All Connector Series
- Rotatable, Self-Locking and Direct Coupling Styles
- Straight, 45°, 90° Configurations
- Optional Drain-Holes

The right weight and duty of strain-relief for every application requirement

**Simple strain-relief cable clamps protect contact terminations from rough handling and mechanical damage**

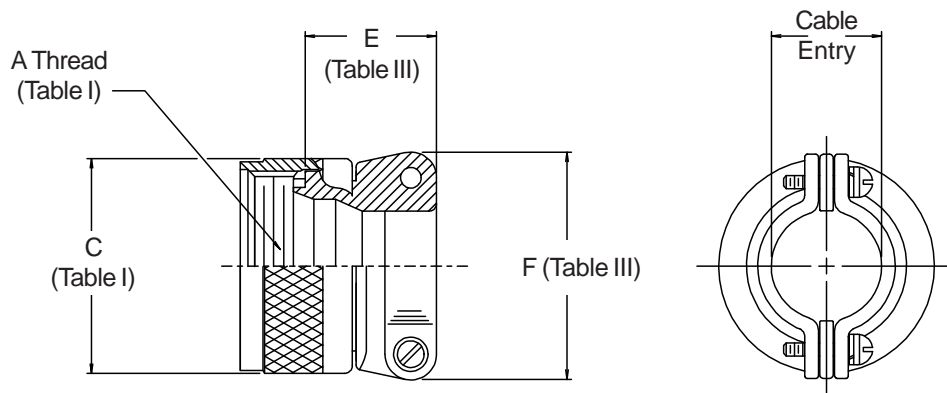
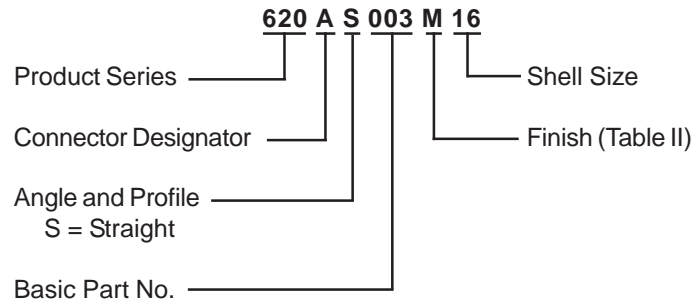
Glenair offers a comprehensive selection of strain reliefs for circular connectors. These products are ideal for applications which do not require environmental or EMI/RFI protection. Use the following table to quickly locate compatible designs for every circular connector series.

Coupling and Body Style	PAGE NUMBER REFERENCE INFORMATION									
	CONNECTOR DESIGNATOR									
	A (Stainless Steel)	A	D	E	F	G	H	J	L	S
<b>Rotatable:</b>										
Straight	62-12	62-2, 62-5, 62-10	--	--	62-2, 62-8, 62-10	62-6	62-2, 62-9, 62-10	62-8	62-2, 62-8, 62-10	62-2, 62-8,
Straight Split										
90°	62-13	62-3, 62-5, 62-10	--	--	62-3, 62-8, 62-10	62-7	62-3, 62-9, 62-10	62-8	62-3, 62-8 62-10	62-3, 62-8
Split 90°										
45°	--	62-4	--	--	62-4	62-7	62-4	--	62-4	62-4
<b>Self-Locking:</b>										
Straight	--	62-14	--	--	62-15	--	62-15	--	62-15	62-15
90°	--	62-14	--	--	62-15	--	62-15	--	62-15	62-15
45°	--	62-16	--	--	62-16	--	62-16	--	62-16	62-16
<b>Direct:</b>										
Straight	--	--	62-17	62-18	62-19	--	--	62-20	--	--

**-445** Now Available with the "NESTOR"

Add "-445" to Specify Glenair's Non-Detent, Spring-Loaded, Self-Locking Coupling.

NOTE: Most *Rotatable Coupling* Strain Reliefs may be modified to accept the -445 "NESTOR" Non-Detent, Self-Locking Coupling. The -445 "NESTOR" is not Available on Direct Coupling Products or for Use on MIL-DTL-38999 Series II Connectors. Please Contact the Factory for Additional Information.

**CONNECTOR  
DESIGNATOR  
A-F-L-H-S  
ROTATABLE  
COUPLING**

**TABLE III: CABLE ENTRY**

Shell Size		Conn. Desig.		E		F		H Cable Entry	
A,F,L	H	Max		Nom		Closed		Open	
08	09	.625	(15.9)	.750	(19.1)	.055	(1.4)	.125	(3.2)
10	11	.656	(16.7)	.750	(19.1)	.055	(1.4)	.188	(4.8)
12	13	.718	(18.2)	.937	(23.8)	.095	(2.4)	.250	(6.4)
14	15	.968	(24.6)	1.015	(25.8)	.219	(5.6)	.375	(9.5)
16	17	1.105	(28.1)	1.125	(28.6)	.219	(5.6)	.500	(12.7)
18	19	1.105	(28.1)	1.188	(30.2)	.345	(8.8)	.625	(15.9)
20	21	1.105	(28.1)	1.312	(33.3)	.469	(11.9)	.750	(19.1)
22	23	1.105	(28.1)	1.437	(36.5)	.594	(15.1)	.875	(22.2)
24	25	1.105	(28.1)	1.562	(39.7)	.594	(15.1)	1.000	(25.4)
28		1.105	(28.1)	1.812	(46.0)	.859	(21.8)	1.250	(31.8)

1. Cable Entry is defined as the accommodation entry for the wire bundle or cable. Dimensions are not intended for inspection criteria.
2. Metric dimensions (mm) are indicated in parentheses.

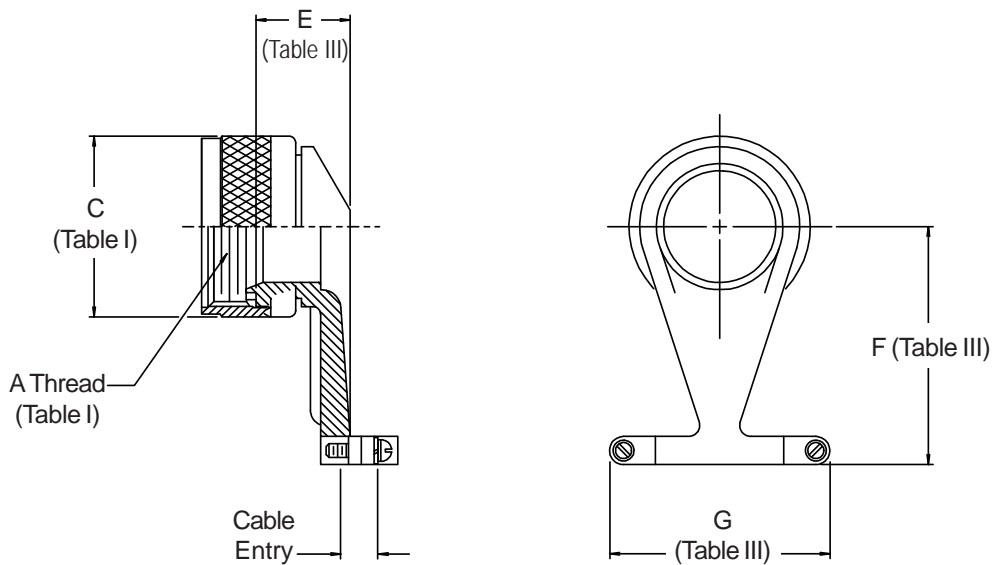
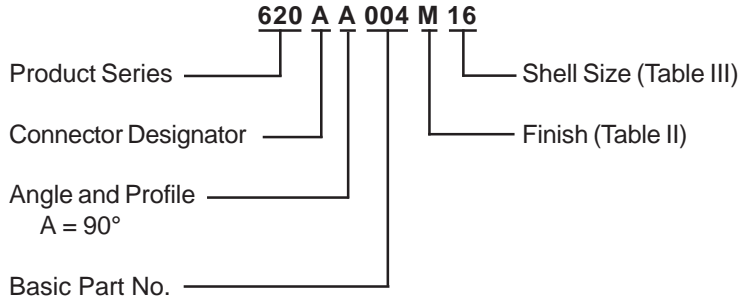
620-004

Backshell Accessory - 90° Strain Relief  
Rotatable Coupling



62

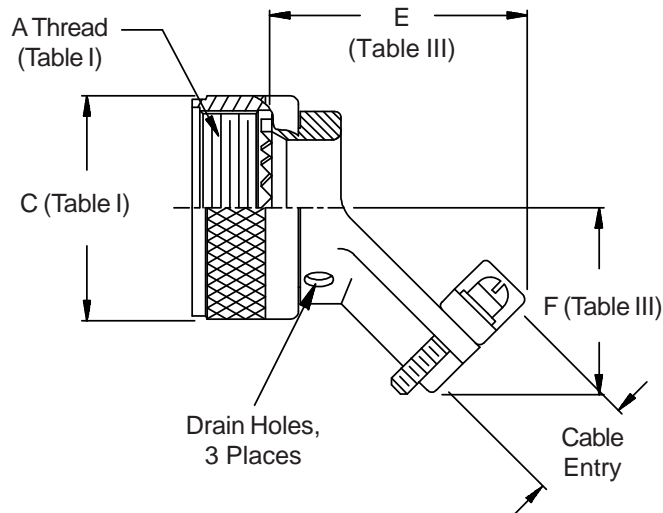
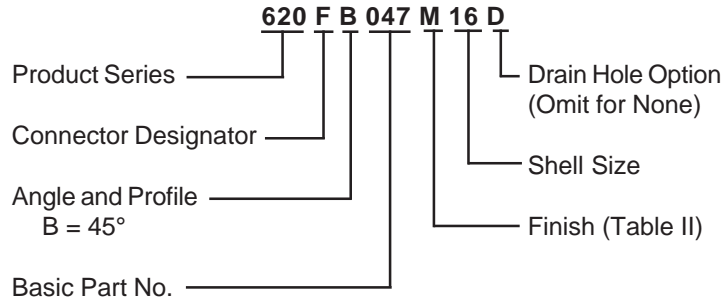
**CONNECTOR  
DESIGNATOR  
A-F-L-H-S  
ROTATABLE  
COUPLING**



Shell Size		TABLE III: CABLE ENTRY							
Conn. Desig.	A,F,L H	E Max	F Nom	G Nom	H Cable Entry				
					Closed		Open		
08	09	.450 (11.4)	.780 (19.8)	.750 (19.1)	.125 (3.2)	.250 (6.4)			
10	11	.450 (11.4)	.890 (22.6)	.750 (19.1)	.156 (3.7)	.375 (9.5)			
12	13	.450 (11.4)	1.030 (26.2)	.937 (23.8)	.188 (4.8)	.437 (11.1)			
14	15	.450 (11.4)	1.220 (31.0)	1.015 (25.8)	.218 (5.5)	.562 (14.3)			
16	17	.450 (11.4)	1.280 (32.5)	1.125 (28.6)	.250 (6.4)	.625 (15.9)			
18	19	.480 (12.2)	1.370 (34.8)	1.188 (30.2)	.312 (7.9)	.750 (19.1)			
20	21	.480 (12.2)	1.560 (39.6)	1.312 (33.3)	.375 (9.5)	.875 (22.2)			
22	23	.480 (12.2)	1.750 (44.5)	1.437 (36.5)	.406 (10.3)	.937 (23.8)			
24	25	.480 (12.2)	1.810 (46.0)	1.562 (39.7)	.562 (14.3)	1.000 (25.4)			

1. Cable Entry is defined as the accommodation entry for the wire bundle or cable. Dimensions are not intended for inspection criteria.
2. Metric dimensions (mm) are indicated in parentheses.

**CONNECTOR  
DESIGNATOR  
A-F-H-L-S  
ROTATABLE  
COUPLING**


**TABLE III: CABLE ENTRY**

Shell Size	E Max	F Max	Cable Entry	
			Closed	Open
08/09	1.450 (36.8)	.772 (19.6)	.125 (3.2)	.204 (5.2)
10/11	1.510 (38.4)	.810 (20.6)	.187 (4.7)	.286 (7.3)
12/13	1.610 (40.9)	.870 (22.1)	.291 (7.4)	.416 (10.6)
14/15	1.640 (41.7)	.930 (23.6)	.351 (8.9)	.476 (12.1)
16/17	1.760 (44.7)	.990 (25.1)	.501 (12.7)	.626 (15.9)
18/19	1.900 (48.3)	1.110 (28.2)	.518 (13.2)	.706 (17.9)
20/21	1.940 (49.3)	1.170 (29.7)	.581 (14.8)	.831 (21.1)
22/23	1.970 (50.0)	1.240 (31.5)	.644 (16.4)	.956 (24.3)
24/25	2.020 (51.3)	1.300 (33.0)	.706 (17.9)	1.081 (27.5)

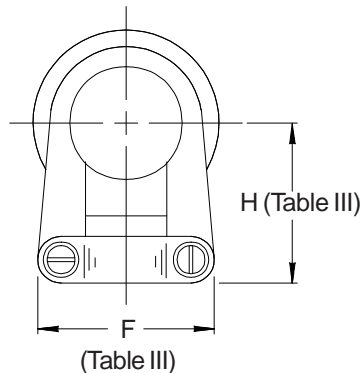
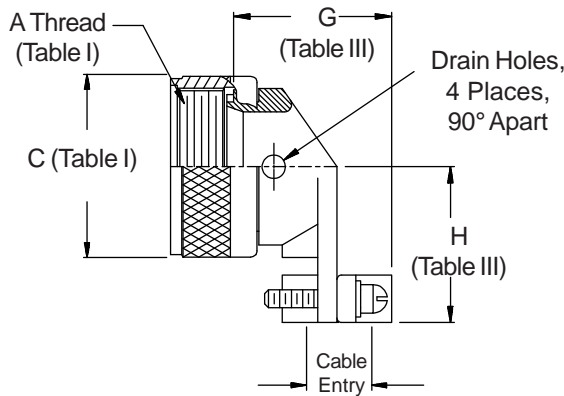
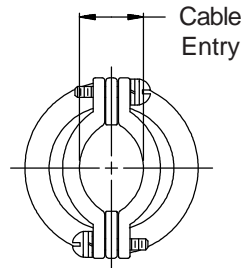
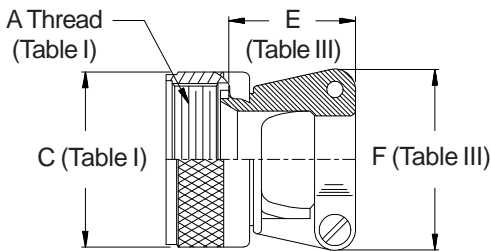
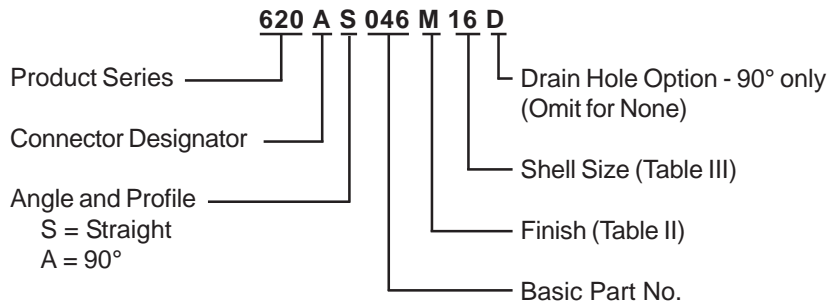
**See inside back cover  
fold-out or pages 13 and  
14 for Tables I and II.**

1. Cable Entry is defined as the accommodation entry for the wire bundle or cable. Dimensions are not intended for inspection criteria.
2. Metric dimensions (mm) are indicated in parentheses.

**620-046**  
**Strain Relief**  
 Rotatable Coupling - Straight and 90°



**CONNECTOR  
 DESIGNATOR**  
**A**  
**ROTATABLE  
 COUPLING**



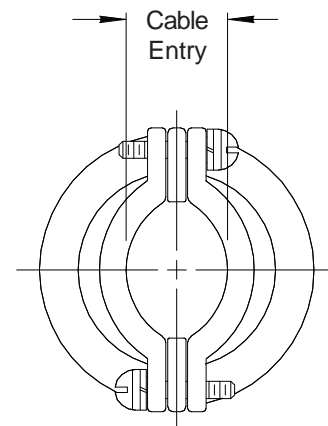
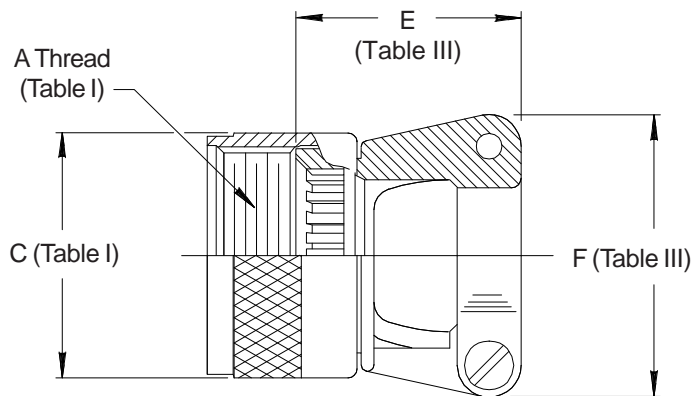
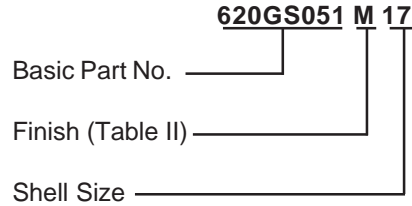
See inside back cover fold-out or pages 13 and 14 for Tables I and II.

1. Cable Entry is defined as the accommodation entry for the wire bundle or cable. Dimensions are not intended for inspection criteria.
2. Metric dimensions (mm) are indicated in parentheses.

**TABLE III: CABLE ENTRY**

Shell Size	E Max	F Max	G Max	H Max	Cable Entry	
					Closed	Open
08	.630 (16.0)	.782 (19.9)	.780 (19.8)	.808 (20.5)	.125 (3.2)	.204 (5.2)
10	.740 (18.8)	.862 (21.9)	.861 (21.9)	.867 (22.0)	.187 (4.7)	.286 (7.3)
12	.860 (21.8)	1.003 (25.5)	1.050 (26.7)	.929 (23.6)	.291 (7.4)	.416 (10.6)
14	.860 (21.8)	1.061 (26.9)	1.110 (29.0)	.992 (25.2)	.351 (8.9)	.476 (12.1)
16	.990 (25.1)	1.334 (33.9)	1.260 (32.0)	1.056 (26.8)	.501 (12.7)	.626 (15.9)
18	1.240 (31.5)	1.466 (37.2)	1.370 (34.8)	1.233 (31.3)	.518 (13.2)	.706 (17.9)
20	1.360 (34.5)	1.572 (39.9)	1.500 (38.1)	1.296 (32.9)	.581 (14.8)	.831 (21.1)
22	1.490 (38.0)	1.688 (42.9)	1.620 (41.1)	1.358 (34.5)	.644 (16.4)	.956 (24.3)
24	1.610 (40.9)	1.790 (45.5)	1.750 (44.5)	1.420 (36.1)	.706 (17.9)	1.081 (27.5)
28	1.760 (44.7)	2.035 (51.7)	1.890 (58.0)	1.634 (41.5)	.750 (19.1)	1.187 (30.1)
32	1.950 (49.5)	2.386 (60.6)	1.950 (49.5)	1.859 (47.2)	.875 (22.2)	1.250 (31.8)
36	2.330 (59.2)	2.496 (63.4)	2.070 (52.6)	1.984 (50.4)	.938 (23.8)	1.375 (34.9)
40	2.510 (63.8)	2.566 (65.2)	2.200 (55.9)	2.109 (53.6)	.938 (23.8)	1.500 (38.1)



**CONNECTOR  
DESIGNATOR**
**G**
**ROTATABLE  
COUPLING**


See inside back cover fold-out or pages 13 and 14 for Tables I and II.

**TABLE III: CABLE ENTRY**

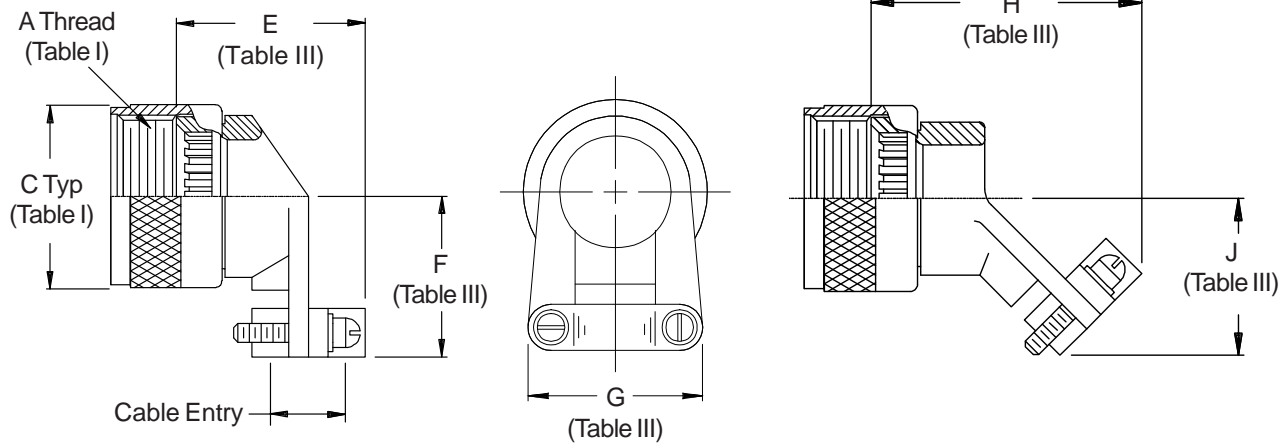
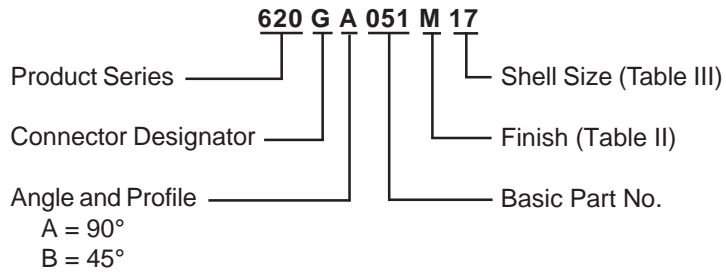
Shell Size	E Max	F Max	Cable Entry	
			Closed	Open
11	1.091 (27.7)	.903 (22.9)	.177 (4.5)	.286 (7.3)
13	1.091 (27.7)	.977 (24.8)	.177 (4.5)	.286 (7.3)
15	1.091 (27.7)	1.151 (29.2)	.250 (6.4)	.416 (10.6)
17	1.206 (30.6)	1.281 (32.5)	.291 (7.4)	.476 (12.1)
19	1.320 (33.5)	1.406 (35.7)	.348 (8.8)	.626 (15.9)
23	1.445 (36.7)	1.576 (40.0)	.429 (10.9)	.831 (21.1)
25	1.570 (39.9)	1.666 (42.3)	.523 (13.3)	.956 (24.3)
29	1.721 (43.7)	2.046 (52.0)	.643 (16.3)	1.081 (27.5)
33	1.908 (48.5)	2.209 (56.1)	.704 (17.9)	1.187 (30.1)

1. Cable Entry is defined as the accommodation entry for the wire bundle or cable. Dimensions are not intended for inspection criteria.
2. Metric dimensions (mm) are indicated in parentheses.

**620-051**  
**Strain Relief**  
**Rotatable Coupling - 45° and 90°**



**CONNECTOR  
 DESIGNATOR**  
**G**  
**ROTATABLE  
 COUPLING**

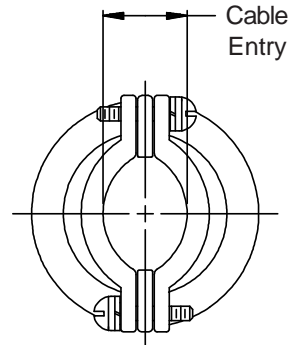
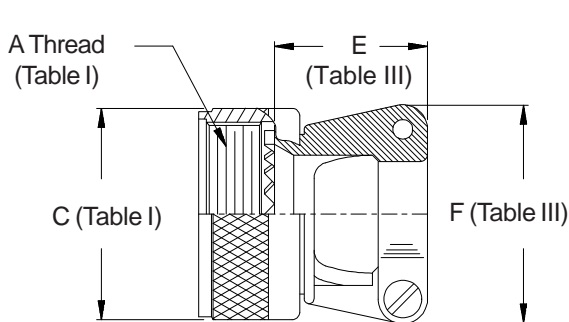
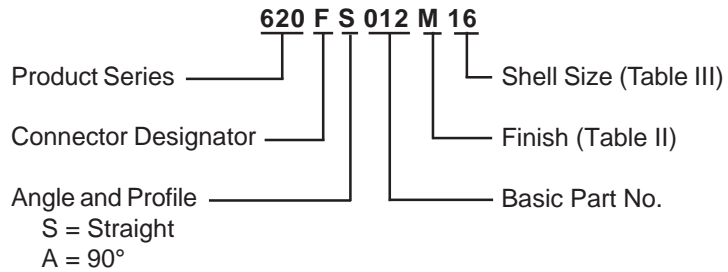


See inside back cover fold-out or pages 13 and 14 for Tables I and II.

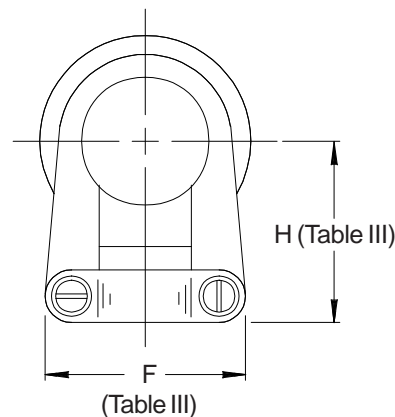
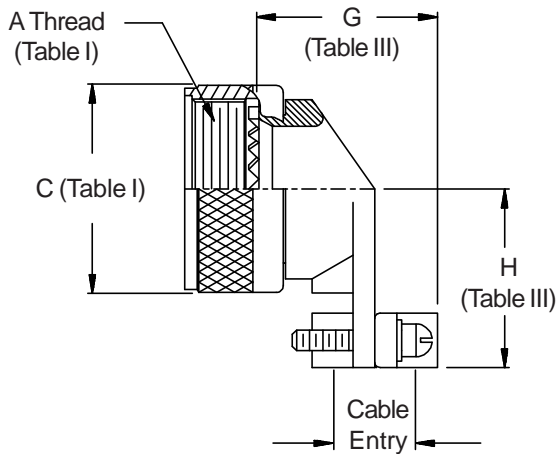
**TABLE III: CABLE ENTRY**

Shell Size	E Closed Max	F Max	G Max	H Closed Max	J Max	Cable Entry	
						Closed	Open
11	1.071 (27.2)	.929 (23.6)	.903 (22.9)	1.650 (41.9)	.929 (23.6)	.177 (4.5)	.286 (7.3)
13	1.071 (27.2)	.929 (23.6)	.977 (24.8)	1.650 (41.9)	.929 (23.6)	.177 (4.5)	.286 (7.3)
15	1.280 (32.5)	1.056 (26.8)	1.151 (29.2)	1.765 (44.8)	1.056 (26.8)	.250 (6.4)	.416 (10.6)
17	1.392 (35.4)	1.233 (31.3)	1.281 (32.5)	1.874 (47.6)	1.233 (31.3)	.291 (7.4)	.476 (12.1)
19	1.517 (38.5)	1.296 (32.9)	1.406 (35.7)	1.918 (48.7)	1.296 (32.9)	.348 (8.8)	.626 (15.9)
23	1.642 (41.7)	1.358 (34.5)	1.576 (40.0)	1.962 (49.8)	1.358 (34.5)	.429 (10.9)	.831 (21.1)
25	1.767 (44.9)	1.420 (36.1)	1.666 (42.3)	2.006 (51.0)	1.420 (36.1)	.523 (13.3)	.956 (24.3)
29	1.905 (48.4)	1.634 (41.5)	2.046 (52.0)	2.301 (58.4)	1.634 (41.5)	.643 (16.3)	1.081 (27.5)
33	1.968 (50.0)	1.859 (47.2)	2.209 (56.1)	2.389 (60.7)	1.859 (47.2)	.704 (17.9)	1.187 (30.1)

1. Cable Entry is defined as the accommodation entry for the wire bundle or cable. Dimensions are not intended for inspection criteria.
2. Metric dimensions (mm) are indicated in parentheses.

**CONNECTOR  
DESIGNATOR  
F-L-S  
ROTATABLE  
COUPLING**


See inside back cover fold-out or pages 13 and 14 for Tables I and II.



1. Cable Entry is defined as the accommodation entry for the wire bundle or cable. Dimensions are not intended for inspection criteria.
2. Metric dimensions (mm) are indicated in parentheses.

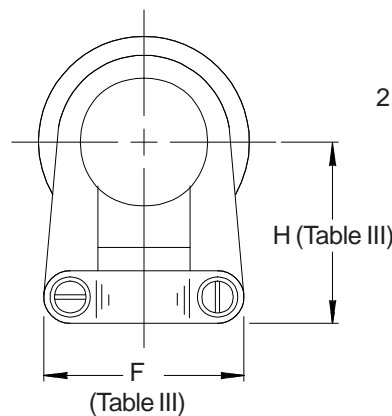
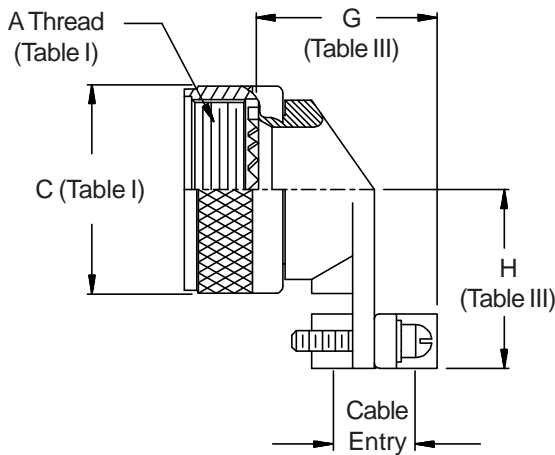
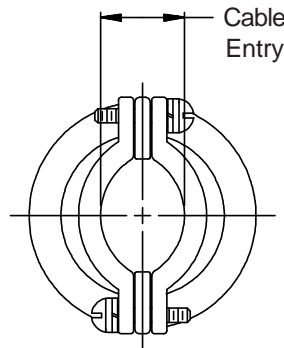
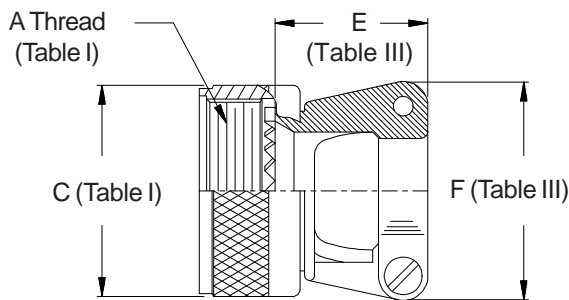
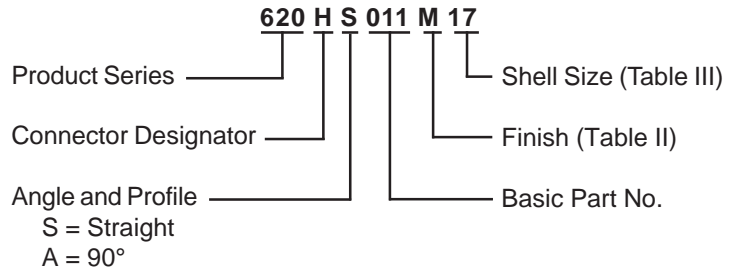
**TABLE III: CABLE ENTRY**

Shell Size	E Nom	F Max	G Max	H Max	Cable Entry	
					Closed	Open
08	.555 (14.1)	.752 (19.1)	.704 (17.9)	.808 (20.5)	.098 (2.5)	.234 (5.9)
10	.665 (16.9)	.832 (21.1)	.786 (20.0)	.867 (22.0)	.153 (3.9)	.234 (5.9)
12	.790 (20.1)	.988 (25.1)	.979 (24.9)	.929 (23.6)	.190 (4.8)	.328 (8.3)
14	.790 (20.1)	1.046 (26.6)	1.039 (26.4)	.992 (25.2)	.260 (6.6)	.457 (11.6)
16	.915 (23.2)	1.319 (33.5)	1.188 (30.2)	1.056 (26.8)	.283 (7.2)	.614 (15.6)
18	1.165 (29.6)	1.451 (36.9)	1.300 (33.0)	1.233 (31.3)	.325 (8.3)	.634 (16.1)
20	1.290 (32.8)	1.557 (39.5)	1.425 (36.2)	1.296 (32.9)	.343 (8.7)	.698 (17.7)
22	1.415 (35.9)	1.653 (42.0)	1.550 (39.4)	1.358 (34.5)	.381 (9.7)	.823 (20.9)
24	1.540 (39.1)	1.775 (45.1)	1.675 (42.5)	1.420 (36.1)	.418 (10.6)	.853 (21.7)

**620-011**  
**Strain Relief**  
**Rotatable Coupling - Straight and 90°**



**CONNECTOR  
 DESIGNATOR**  
**H**  
**ROTATABLE  
 COUPLING**



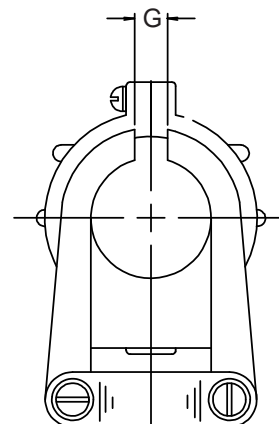
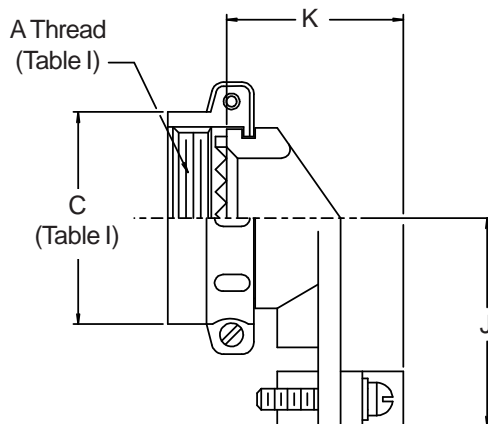
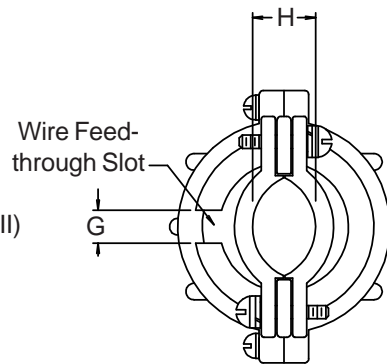
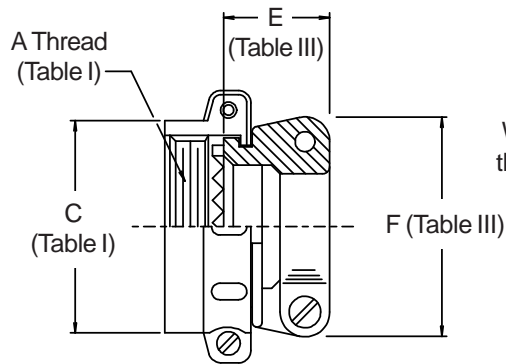
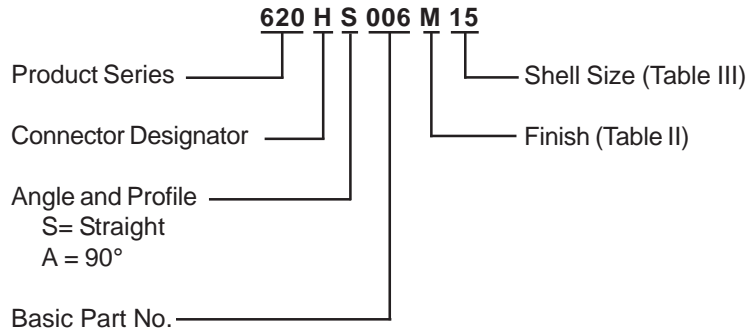
See inside back cover fold-out or pages 13 and 14 for Tables I and II.

1. Cable Entry is defined as the accommodation entry for the wire bundle or cable. Dimensions are not intended for inspection criteria.
2. Metric dimensions (mm) are indicated in parentheses.

**TABLE III: CABLE ENTRY**

Shell Size	E Max	F Max	G Max	H Max	Cable Entry	
					Closed	Open
09	.830 (21.1)	.850 (21.6)	.704 (17.9)	.808 (20.5)	.098 (2.5)	.234 (5.9)
11	.850 (21.6)	.900 (22.9)	.786 (20.0)	.867 (22.0)	.153 (3.9)	.234 (5.9)
13	.900 (22.9)	1.100 (27.9)	.979 (24.9)	.929 (23.6)	.190 (4.8)	.328 (8.3)
15	.900 (22.9)	1.150 (29.2)	1.039 (26.4)	.992 (25.2)	.260 (6.6)	.457 (11.6)
17	.940 (23.9)	1.300 (33.0)	1.188 (30.2)	1.056 (26.8)	.283 (7.2)	.614 (15.6)
19	1.020 (25.9)	1.500 (38.1)	1.300 (33.0)	1.233 (31.3)	.325 (8.3)	.634 (16.1)
21	1.070 (27.2)	1.600 (40.6)	1.425 (36.2)	1.296 (32.9)	.343 (8.7)	.698 (17.7)
23	1.190 (30.2)	1.700 (43.2)	1.550 (39.4)	1.358 (34.5)	.381 (9.7)	.823 (20.9)
25	1.220 (31.0)	1.800 (45.7)	1.675 (42.5)	1.420 (36.1)	.418 (10.6)	.853 (21.7)

**CONNECTOR  
 DESIGNATOR  
 A-F-H-L  
 ROTATABLE  
 COUPLING**



**620-006**  
**Split Strain Reliefs**  
 Rotatable Coupling - Straight and 90°



**TABLE III: CABLE ENTRY**

Shell Size		H Cable Entry												
Conn. Desig.	E	F	G									J	K	
A,F,L	Max	Nom	Min	Closed		Open				Max	Max			
H														
08	09	.602 (15.3)	.752 (19.1)	.125 (3.2)	.125 (3.2)	.204 (5.2)	.808 (20.3)	.704 (17.9)						
10	11	.712 (18.1)	.832 (21.1)	.125 (3.2)	.187 (4.7)	.286 (7.3)	.867 (22.0)	.786 (20.0)						
12	13	.837 (21.3)	.988 (25.1)	.188 (4.8)	.291 (7.4)	.416 (10.6)	.929 (23.6)	.979 (24.9)						
14	15	.837 (21.3)	1.046 (26.6)	.188 (4.8)	.351 (8.9)	.476 (12.1)	.992 (25.2)	1.039 (26.4)						
16	17	.962 (24.4)	1.319 (33.5)	.188 (4.8)	.501 (12.7)	.625 (15.9)	1.056 (26.8)	1.188 (30.2)						
18	19	1.212 (30.8)	1.451 (36.9)	.250 (6.4)	.578 (14.7)	.706 (17.9)	1.233 (31.3)	1.300 (33.0)						
20	21	1.337 (34.0)	1.557 (39.5)	.250 (6.4)	.581 (14.8)	.831 (21.1)	1.296 (32.9)	1.425 (36.2)						
22	23	1.462 (37.1)	1.653 (42.0)	.312 (7.9)	.644 (16.4)	.956 (24.3)	1.358 (34.5)	1.550 (39.4)						
24	25	1.587 (40.3)	1.775 (45.1)	.312 (7.9)	.706 (17.9)	1.081 (27.5)	1.420 (36.1)	1.675 (42.5)						
28		1.731 (44.0)	2.020 (51.3)	.312 (7.9)	.750 (19.1)	1.187 (30.1)	1.634 (41.5)	1.813 (46.1)						

1. Cable Entry is defined as the accommodation entry for the wire bundle or cable. Dimensions are not intended for inspection criteria.
2. Metric dimensions (mm) are indicated in parentheses.

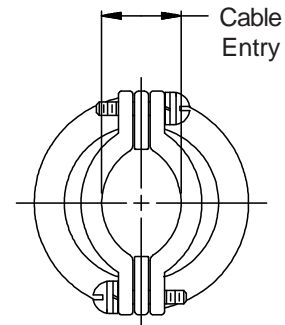
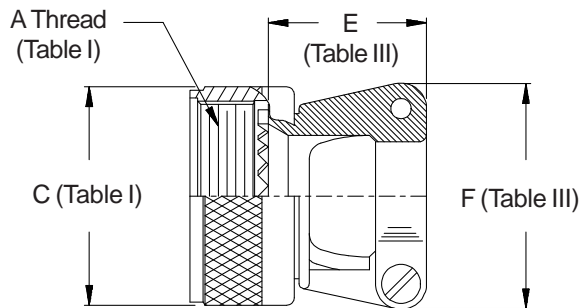
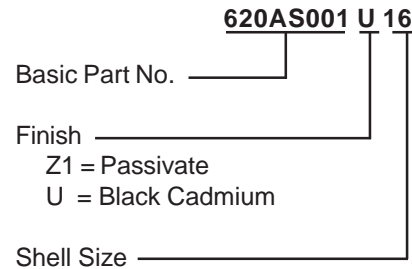


## STAINLESS STEEL

### CONNECTOR DESIGNATOR

**A**

### ROTATABLE COUPLING



See inside back cover fold-out or page 14 for Table I.

TABLE III: CABLE ENTRY						
Shell Size	E Nom	F Max	Cable Entry			
			Closed		Open	
08	.555 (14.1)	.752 (19.1)	.125 (3.2)	.204 (5.2)		
10	.665 (16.9)	.832 (21.1)	.187 (4.7)	.286 (7.3)		
12	.790 (20.1)	.988 (25.1)	.291 (7.4)	.416 (10.6)		
14	.790 (20.1)	1.046 (26.6)	.351 (8.9)	.476 (12.1)		
16	.915 (23.2)	1.319 (33.5)	.501 (12.7)	.626 (15.9)		
18	1.165 (29.6)	1.451 (36.9)	.518 (13.2)	.706 (17.9)		
20	1.290 (32.8)	1.557 (39.5)	.581 (14.8)	.831 (21.1)		
22	1.415 (35.9)	1.653 (42.0)	.644 (16.4)	.956 (24.3)		
24	1.540 (39.1)	1.775 (45.1)	.706 (17.9)	1.081 (27.5)		
28	1.690 (42.9)	2.020 (51.3)	.750 (19.1)	1.187 (30.1)		
32	1.890 (48.0)	2.391 (60.7)	.875 (22.2)	1.250 (31.8)		
36	2.270 (57.6)	2.496 (63.4)	.938 (23.8)	1.375 (34.9)		

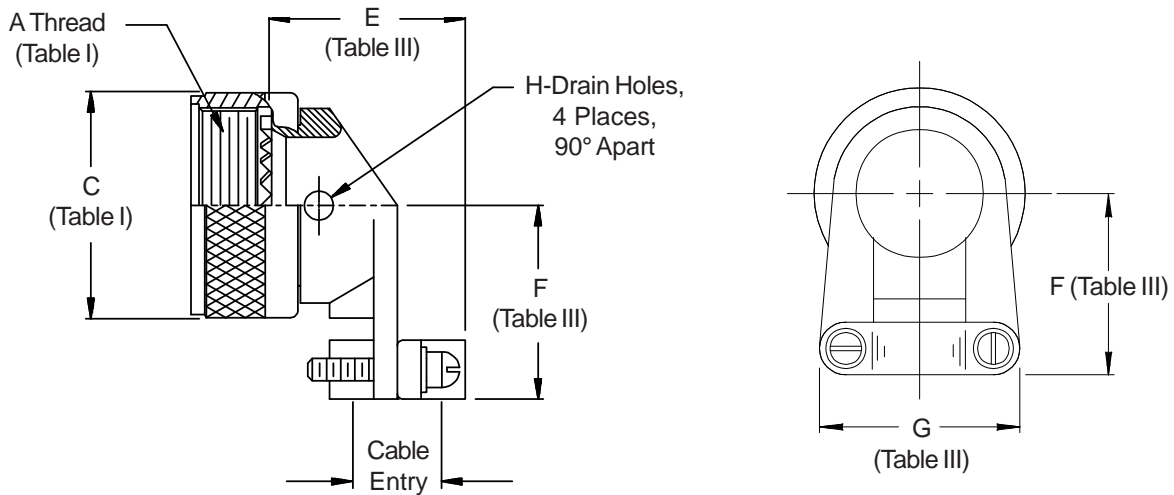
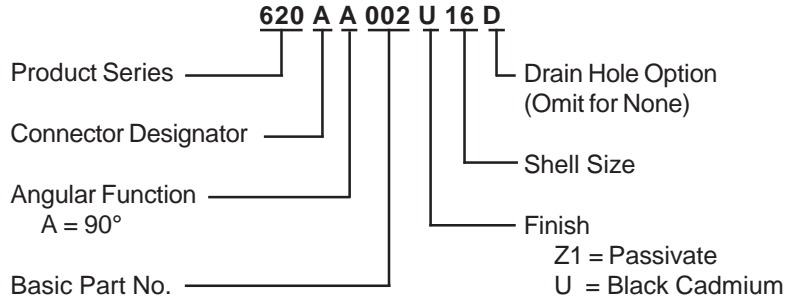
1. Cable Entry is defined as the accommodation entry for the wire bundle or cable. Dimensions are not intended for inspection criteria.
2. Metric dimensions (mm) are indicated in parentheses.

**620-002**  
**Strain Relief**  
**Stainless Steel - Rotatable Coupling - 90°**



**STAINLESS STEEL**

**CONNECTOR  
DESIGNATOR**  
**A**  
**ROTATABLE  
COUPLING**



See inside back cover fold-out or page 14 for Table I.

**TABLE III: CABLE ENTRY**

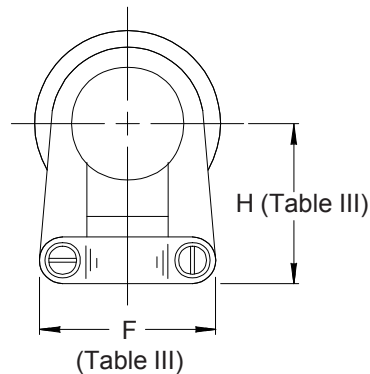
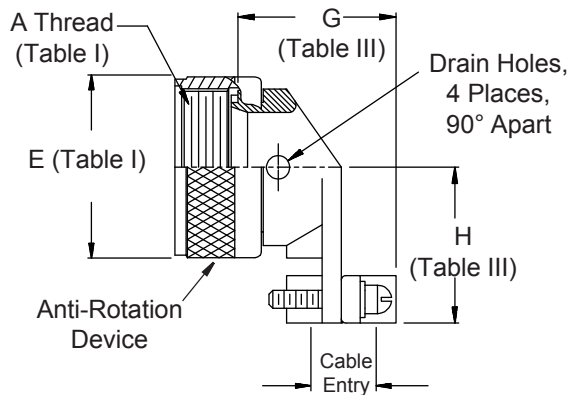
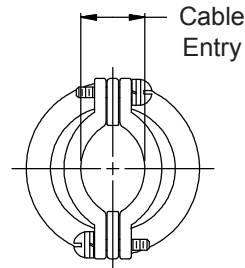
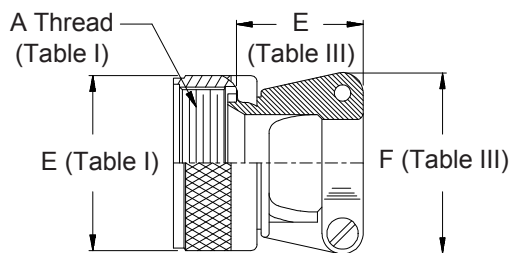
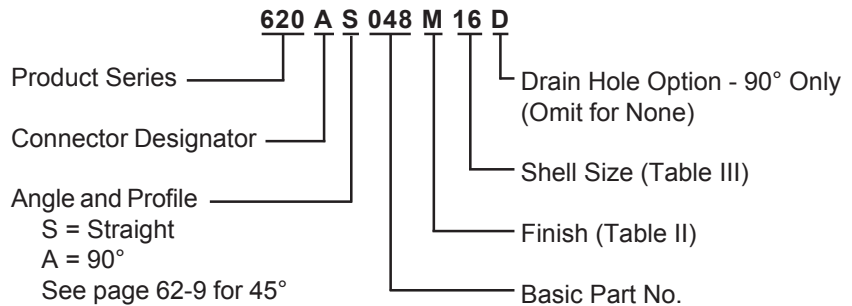
Shell Size	E Max	F Max	G Max	H Max	Cable Entry	
					Closed	Open
08	.704 (17.9)	.808 (20.5)	.752 (19.1)	.125 (3.2)	.125 (3.2)	.204 (5.2)
10	.786 (20.0)	.867 (22.0)	.832 (21.1)	.125 (3.2)	.187 (4.7)	.286 (7.3)
12	.979 (24.9)	.929 (23.6)	.988 (25.1)	.188 (4.8)	.291 (7.4)	.416 (10.6)
14	1.039 (26.4)	.992 (25.2)	1.046 (26.6)	.188 (4.8)	.351 (8.9)	.476 (12.1)
16	1.188 (30.2)	1.056 (26.8)	1.319 (33.5)	.188 (4.8)	.501 (12.7)	.626 (15.9)
18	1.300 (33.0)	1.233 (31.3)	1.451 (36.9)	.188 (4.8)	.518 (13.2)	.706 (17.9)
20	1.425 (36.2)	1.296 (32.9)	1.551 (39.4)	.188 (4.8)	.581 (14.8)	.831 (21.1)
22	1.550 (39.4)	1.358 (34.5)	1.653 (42.0)	.188 (4.8)	.644 (16.4)	.956 (24.3)
24	1.675 (42.5)	1.420 (36.1)	1.775 (45.1)	.188 (4.8)	.706 (17.9)	1.081 (27.5)
28	1.813 (46.1)	1.634 (41.5)	2.020 (51.3)	.188 (4.8)	.750 (19.1)	1.187 (30.1)

1. Cable Entry is defined as the accommodation entry for the wire bundle or cable. Dimensions are not intended for inspection criteria.
2. Metric dimensions (mm) are indicated in parentheses.

### CONNECTOR DESIGNATOR

# A

### SELF-LOCKING ROTATABLE COUPLING



See inside back  
cover fold-out or  
pages 13 and 14 for  
Tables I and II.

1. Cable Entry is defined as the accommodation entry for the wire bundle or cable. Dimensions are not intended for inspection criteria.
2. Metric dimensions (mm) are indicated in parentheses.

#### TABLE III: CABLE ENTRY

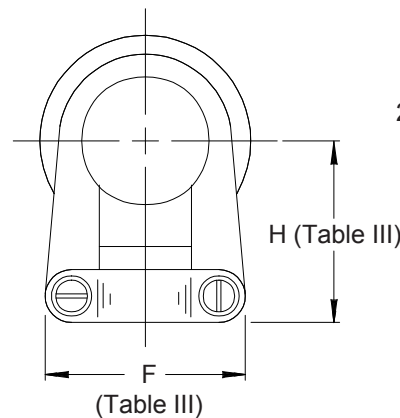
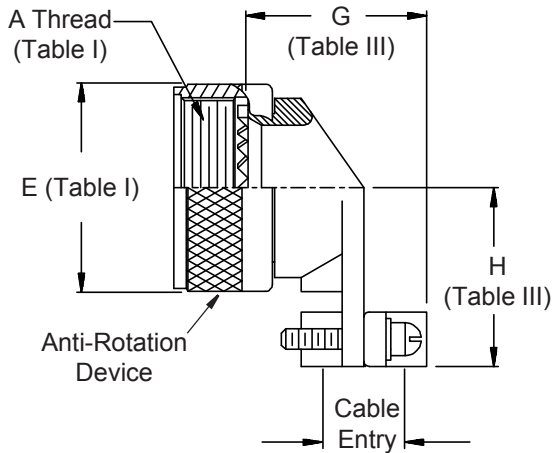
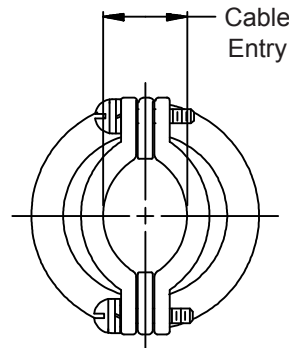
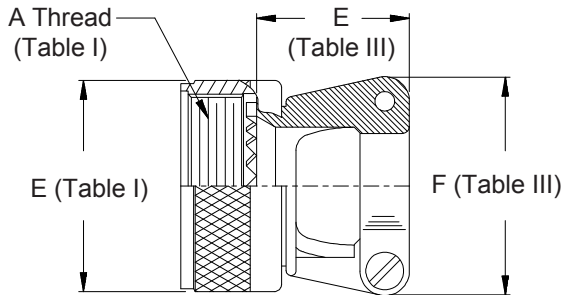
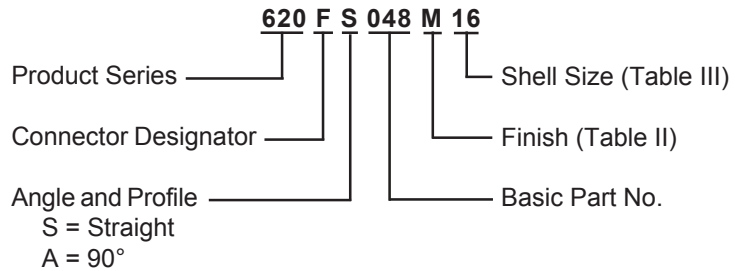
Shell Size	E Max	F Max	G Max	H Max	Cable Entry	
					Closed	Open
08	.730 (18.5)	.782 (19.9)	1.930 (49.0)	.808 (20.5)	.125 (3.2)	.204 (5.2)
10	.850 (21.6)	.862 (21.9)	1.020 (25.9)	.867 (22.0)	.187 (4.7)	.286 (7.3)
12	.980 (24.9)	1.003 (25.5)	1.210 (30.7)	.929 (23.6)	.291 (7.4)	.416 (10.6)
14	.980 (24.9)	1.061 (26.9)	1.270 (32.3)	.992 (25.2)	.351 (8.9)	.476 (12.1)
16	1.100 (27.9)	1.334 (33.9)	1.420 (36.1)	1.056 (26.8)	.501 (12.7)	.626 (15.9)
18	1.350 (34.3)	1.466 (37.2)	1.530 (38.9)	1.233 (31.3)	.518 (13.2)	.706 (17.9)
20	1.480 (37.6)	1.572 (39.9)	1.650 (41.9)	1.296 (32.9)	.581 (14.8)	.831 (21.1)
22	1.600 (40.6)	1.688 (42.9)	1.780 (45.2)	1.358 (34.5)	.644 (16.4)	.956 (24.3)
24	1.730 (43.9)	1.790 (45.5)	1.900 (48.3)	1.420 (36.1)	.706 (17.9)	1.081 (27.5)
28	1.880 (47.8)	2.035 (51.7)	2.200 (55.9)	1.634 (41.5)	.750 (19.1)	1.187 (30.1)
32	2.060 (52.3)	2.386 (60.6)	2.270 (57.7)	1.859 (47.2)	.875 (22.2)	1.250 (31.8)
36	2.440 (62.0)	2.496 (63.4)	2.390 (60.7)	1.984 (50.4)	.938 (23.8)	1.375 (34.9)
40	2.630 (66.8)	2.566 (65.2)	2.520 (64.0)	2.109 (53.6)	.938 (23.8)	1.500 (38.1)

**620-048**  
**Strain Relief**  
**Self-Locking Rotatable Coupling - Straight and 90°**



**CONNECTOR  
DESIGNATOR  
F-H-L-S**

**SELF-LOCKING  
ROTATABLE  
COUPLING**



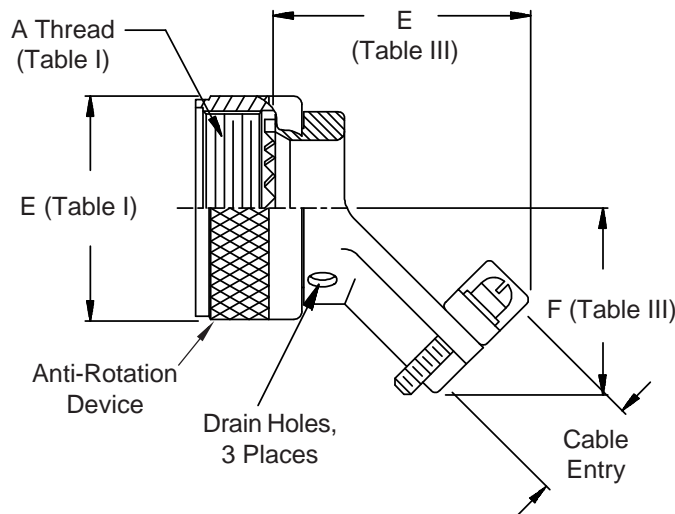
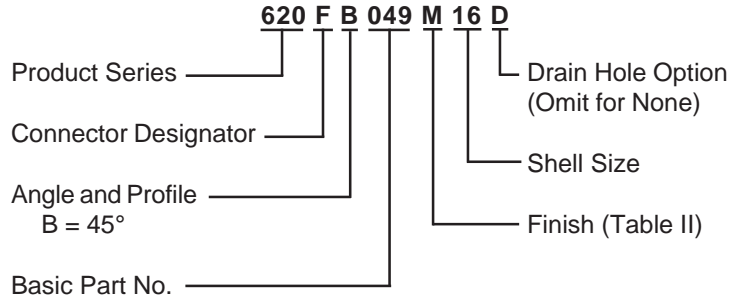
See inside back cover fold-out or pages 13 and 14 for Tables I and II.

1. Cable Entry is defined as the accommodation entry for the wire bundle or cable. Dimensions are not intended for inspection criteria.
2. Metric dimensions (mm) are indicated in parentheses.

**TABLE III: CABLE ENTRY**

Shell Size	E Max	F Max	G Max	H Max	Cable Entry	
					Closed	Open
08/09	.830 (21.1)	.850 (21.6)	.704 (17.9)	.808 (20.5)	.098 (2.5)	.234 (5.9)
10/11	.900 (22.9)	.900 (22.9)	.786 (20.0)	.867 (22.0)	.153 (3.9)	.234 (5.9)
12/13	.950 (24.1)	1.100 (27.9)	.979 (24.9)	.929 (23.6)	.190 (4.8)	.328 (8.3)
14/15	.950 (24.1)	1.150 (29.2)	1.039 (26.4)	.992 (25.2)	.260 (6.6)	.457 (11.6)
16/17	.990 (25.2)	1.300 (33.0)	1.188 (30.2)	1.056 (26.8)	.283 (7.2)	.614 (15.6)
18/19	1.070 (27.2)	1.500 (38.1)	1.300 (33.0)	1.233 (31.3)	.325 (8.3)	.634 (16.1)
20/21	1.120 (28.5)	1.600 (40.6)	1.425 (36.2)	1.296 (32.9)	.343 (8.7)	.698 (17.7)
22/23	1.240 (31.5)	1.700 (43.2)	1.550 (39.4)	1.358 (34.5)	.381 (9.7)	.823 (20.9)
24/25	1.270 (32.3)	1.800 (45.7)	1.675 (42.5)	1.420 (36.1)	.418 (10.6)	.853 (21.7)

**CONNECTOR  
DESIGNATOR  
A-F-H-L-S  
SELF-LOCKING  
ROTATABLE  
COUPLING**



**TABLE III: CABLE ENTRY**

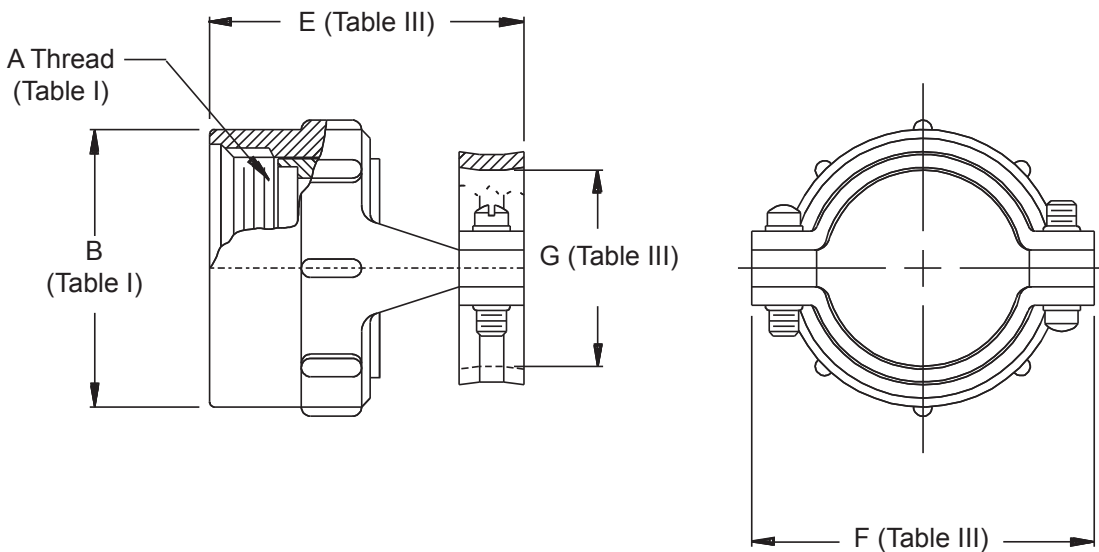
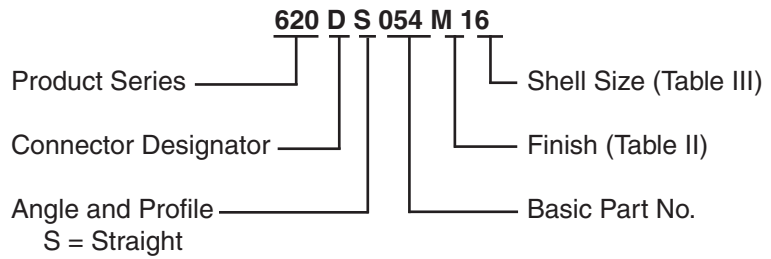
Shell Size	E Max	F Max	Cable Entry	
			Closed	Open
08/09	1.536 (39.0)	.730 (18.5)	.125 (3.2)	.204 (5.2)
10/11	1.566 (39.8)	.810 (20.6)	.187 (4.7)	.286 (7.3)
12/13	1.646 (41.8)	.870 (22.1)	.291 (7.4)	.416 (10.6)
14/15	1.686 (42.8)	.930 (23.6)	.351 (8.9)	.476 (12.1)
16/17	1.796 (45.6)	.990 (25.1)	.501 (12.7)	.626 (15.9)
18/19	1.906 (48.4)	1.110 (28.2)	.518 (13.2)	.706 (17.9)
20/21	1.956 (49.7)	1.170 (29.7)	.581 (14.8)	.831 (21.1)
22/23	1.996 (50.7)	1.240 (31.5)	.644 (16.4)	.956 (24.3)
24/25	2.046 (52.0)	1.300 (33.0)	.706 (17.9)	1.081 (27.5)

**See inside back cover  
fold-out or pages 13 and  
14 for Tables I and II.**

1. Cable Entry is defined as the accommodation entry for the wire bundle or cable. Dimensions are not intended for inspection criteria.
2. Metric dimensions (mm) are indicated in parentheses.

**CONNECTOR  
DESIGNATOR**

**D  
DIRECT  
COUPLING**

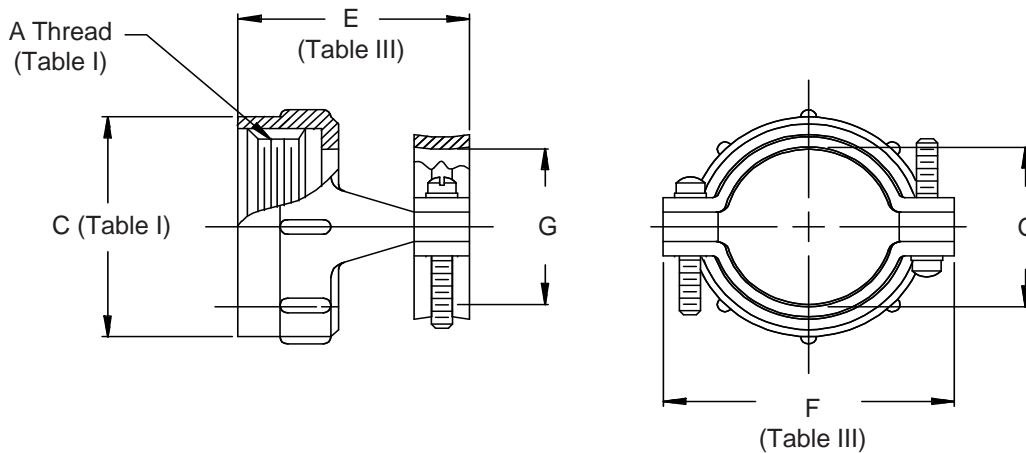
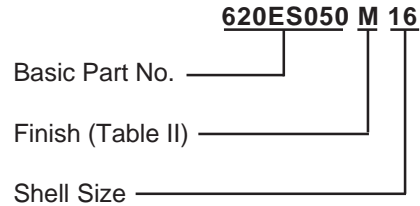


See inside back cover fold-out or pages 13 and 14 for Tables I and II.

TABLE III: CABLE ENTRY			
Shell Size	E Max	F Max	G Dia Max Closed
08	1.120 (28.4)	.833 (21.2)	.187 (4.7)
10	1.120 (28.4)	.855 (21.7)	.187 (4.7)
12	1.120 (28.4)	1.016 (25.8)	.281 (7.1)
14	1.370 (34.8)	1.141 (29.0)	.325 (8.3)
16	1.370 (34.8)	1.203 (30.6)	.356 (9.0)
18	1.370 (34.8)	1.469 (37.3)	.456 (11.6)
20	1.370 (34.8)	1.469 (37.3)	.519 (13.2)
22	1.370 (34.8)	1.641 (41.7)	.519 (13.2)
24	1.370 (34.8)	1.750 (44.5)	.657 (16.7)

1. Cable Entry is defined as the accommodation entry for the wire bundle or cable. Dimensions are not intended for inspection criteria.
2. Metric dimensions (mm) are indicated in parentheses.



**CONNECTOR  
DESIGNATOR**
**E**
**DIRECT  
COUPLING**


See inside back cover fold-out or pages 13 and 14 for Tables I and II.

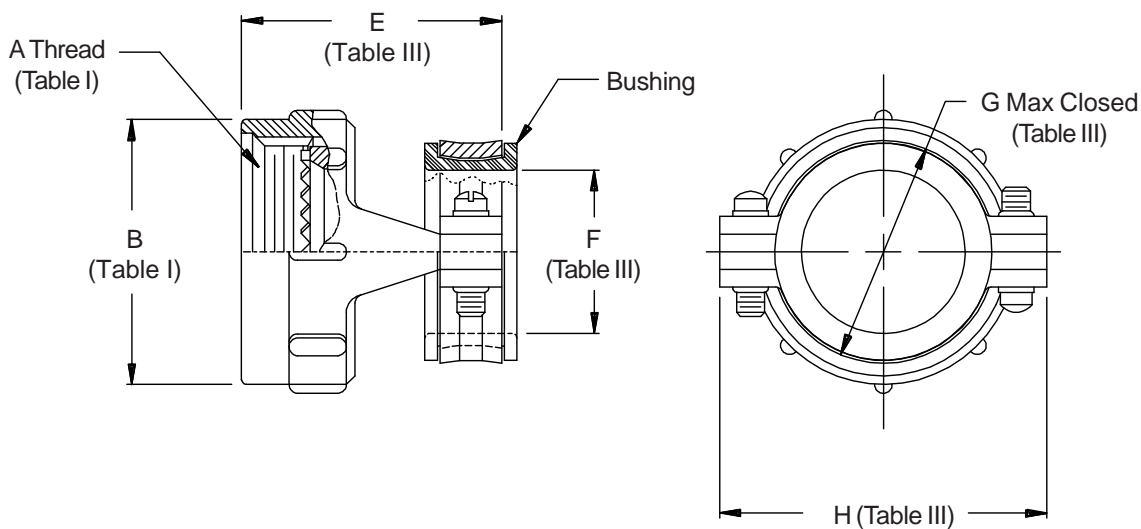
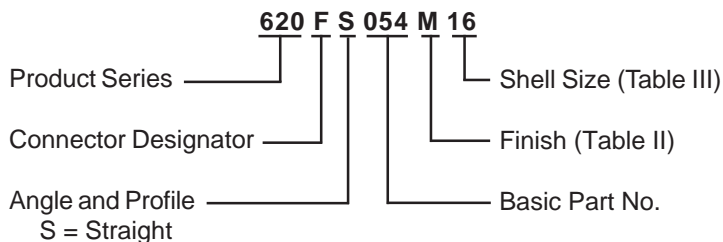
TABLE III: CABLE ENTRY			
Shell Size	E Max	F Max	G Dia ± .030 (0.8)
08	.950 (24.1)	.742 (18.8)	.186 (4.7)
10	.950 (24.1)	.873 (22.2)	.270 (6.9)
12	.950 (24.1)	.972 (24.7)	.450 (11.4)
14	1.185 (30.1)	1.078 (27.4)	.460 (11.7)
16	1.185 (30.1)	1.242 (31.5)	.610 (15.5)
18	1.185 (30.1)	1.345 (34.2)	.690 (17.5)
20	1.185 (30.1)	1.472 (37.4)	.816 (20.7)
22	1.185 (30.1)	1.597 (40.6)	.940 (23.9)
24	1.185 (30.1)	1.724 (43.8)	1.066 (27.1)

1. Cable Entry is defined as the accommodation entry for the wire bundle or cable. Dimensions are not intended for inspection criteria.
2. Metric dimensions (mm) are indicated in parentheses.

**620-054**  
**Strain Relief**  
**Direct Coupling - Straight**



**CONNECTOR  
DESIGNATOR**  
**F**  
**DIRECT  
COUPLING**



See inside back cover fold-out or pages 13 and 14 for Tables I and II.

TABLE III: CABLE ENTRY					
Shell Size	E Max	F Dia Free	G Max Closed	H Max	
08	1.078 (27.4)	.125 (3.2)	.187 (4.7)	.828 (21.0)	
10	1.078 (27.4)	.188 (4.8)	.187 (4.7)	.891 (22.6)	
12	1.078 (27.4)	.312 (7.9)	.281 (7.1)	1.016 (25.8)	
14	1.312 (33.3)	.375 (9.5)	.325 (8.3)	1.141 (29.0)	
16	1.312 (33.3)	.500 (12.7)	.356 (9.0)	1.203 (30.6)	
18	1.312 (33.3)	.625 (15.9)	.456 (11.6)	1.469 (37.3)	
20	1.312 (33.3)	.625 (15.9)	.519 (13.2)	1.469 (37.3)	
22	1.453 (36.9)	.750 (19.1)	.519 (13.2)	1.656 (42.1)	
24	1.375 (34.9)	.800 (20.3)	.657 (16.7)	1.750 (44.5)	

1. Cable Entry is defined as the accommodation entry for the wire bundle or cable. Dimensions are not intended for inspection criteria.
2. Metric dimensions (mm) are indicated in parentheses.

**CONNECTOR  
DESIGNATOR**

**J**

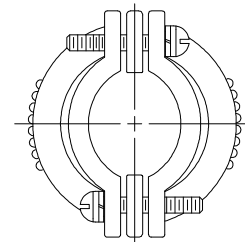
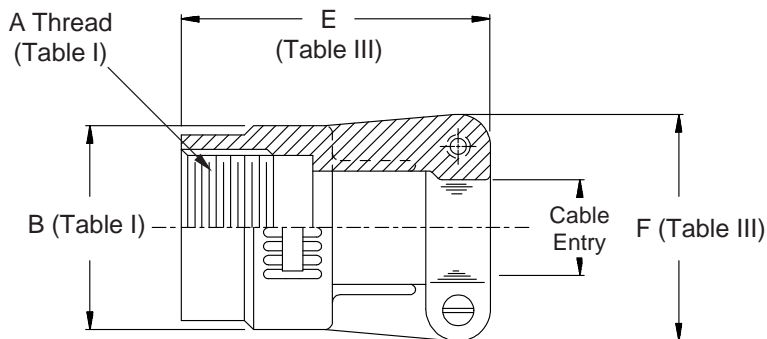
**DIRECT COUPLING**

**620JS001 M 18**

Basic Part No. \_\_\_\_\_

Finish (Table II) \_\_\_\_\_

Shell Size \_\_\_\_\_

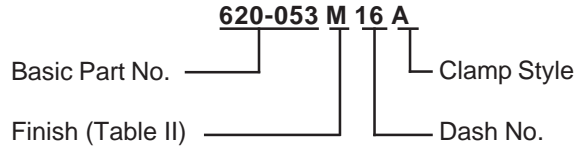


See inside back cover fold-out or pages 13 and 14 for Tables I and II.

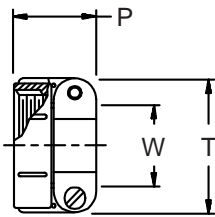
TABLE III: CABLE ENTRY						
Shell Size	E		F		Cable Entry Max	
08	1.340	(34.0)	.750	(19.1)	.125	(3.2)
10	1.340	(34.0)	.937	(23.8)	.250	(6.4)
14	1.340	(34.0)	1.125	(28.6)	.500	(12.7)
16	1.340	(34.0)	1.187	(30.1)	.625	(15.9)
18	1.340	(34.0)	1.312	(33.3)	.750	(19.1)
20	1.420	(36.1)	1.437	(36.5)	.875	(22.2)
22	1.420	(36.1)	1.562	(39.7)	1.000	(25.4)
24	1.420	(36.1)	1.687	(42.8)	1.125	(28.6)

1. Cable Entry is defined as the accommodation entry for the wire bundle or cable. Dimensions are not intended for inspection criteria.
2. Metric dimensions (mm) are indicated in parentheses.

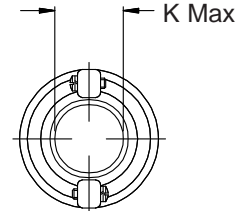
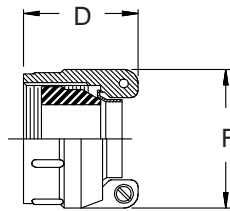
**620-053**  
**Backshell Accessory Thread Strain Reliefs**



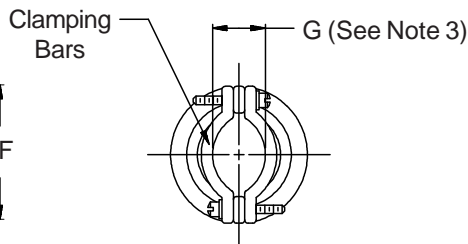
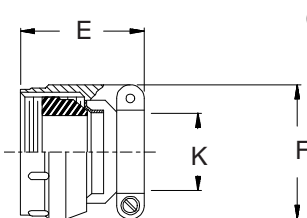
**STYLE A**  
 Medium Duty  
 (Table V)



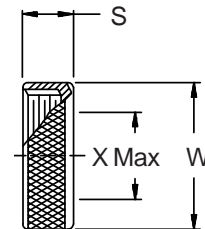
**STYLE B**  
 Medium Duty  
 (Table III)



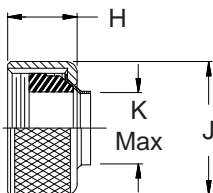
**STYLE C**  
 Medium Duty  
 (Table III)



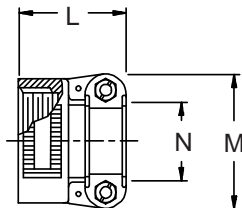
**STYLE D**  
 Medium Duty  
 (Table V)



**STYLE E**  
 Medium Duty  
 (Table III)



**STYLE H**  
 Heavy Duty  
 (Table IV)



**STYLE M**  
 Medium Duty  
 (Table V)

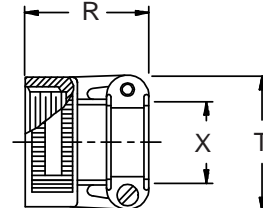


TABLE III: CABLE ENTRY

Dash No.	D		E		F		G		H		J		K - Cable Range			
	Max		Max		Max		Ref		Max		Max		Min *	Max		
03	1.031	(26.2)	1.375	(34.9)	.812	(20.6)	.135	(3.4)	.781	(19.8)	.812	(20.6)	.156	(4.0)	.219	(5.6)
04	1.031	(26.2)	1.375	(34.9)	.937	(23.8)	.203	(5.2)	.781	(19.8)	.937	(23.8)	.188	(4.8)	.312	(7.9)
06	1.031	(26.2)	1.375	(34.9)	1.062	(27.0)	.285	(7.2)	.781	(19.8)	1.062	(27.0)	.281	(7.1)	.438	(11.1)
08	1.031	(26.2)	1.375	(34.9)	1.188	(30.2)	.350	(8.9)	.781	(19.8)	1.188	(30.2)	.312	(7.9)	.531	(13.5)
10	1.094	(27.8)	1.437	(36.5)	1.312	(33.3)	.390	(9.9)	.844	(21.4)	1.312	(33.3)	.375	(9.5)	.625	(15.9)
12	1.219	(31.0)	1.437	(36.5)	1.562	(39.7)	.460	(11.7)	.875	(22.2)	1.562	(39.7)	.500	(12.7)	.750	(19.1)
16	1.219	(31.0)	1.562	(39.7)	1.750	(44.5)	.510	(13.0)	.875	(22.2)	1.750	(44.5)	.625	(15.9)	.938	(23.8)
20	1.344	(34.1)	1.812	(46.0)	2.250	(57.2)	.695	(17.7)	.969	(24.6)	2.250	(57.2)	.938	(23.8)	1.250	(31.8)
24	1.547	(39.3)	2.062	(52.4)	2.375	(60.3)	.715	(18.2)	1.188	(30.2)	2.375	(60.3)	1.000	(25.4)	1.375	(34.9)
28	1.547	(39.3)	2.062	(52.4)	2.625	(66.7)	.915	(23.2)	1.188	(30.2)	2.625	(66.7)	1.250	(31.8)	1.625	(41.3)
32	1.734	(44.0)	2.188	(55.6)	2.812	(71.4)	1.070	(27.2)	1.375	(34.9)	2.812	(71.4)	1.500	(38.1)	1.875	(47.6)

\* Not Applicable Styles B and E

TABLE IV: CABLE ENTRY

Dash No.	L		M		N - Cable Range			
	Max		Max		Min		Max	
04	1.312	(33.3)	.957	(24.3)	.125	(3.2)	.312	(7.9)
06	1.312	(33.3)	1.145	(29.1)	.250	(6.4)	.437	(11.1)
08	1.312	(33.3)	1.332	(33.8)	.312	(7.9)	.562	(14.3)
10	1.312	(33.3)	1.332	(33.8)	.350	(8.9)	.625	(15.9)
12	1.344	(34.1)	1.551	(39.4)	.500	(12.7)	.750	(19.1)
16	1.438	(36.5)	1.770	(45.0)	.625	(15.9)	.937	(23.8)
20	1.625	(41.3)	2.113	(53.7)	.875	(22.2)	1.250	(31.8)
24	1.688	(42.9)	2.363	(60.0)	1.000	(25.4)	1.375	(34.9)
28	1.938	(49.2)	2.770	(70.4)	1.250	(31.8)	1.625	(41.3)
32	1.938	(49.2)	3.020	(76.7)	1.437	(36.5)	1.875	(47.6)

See inside back cover fold-out or page 14 for Table II.

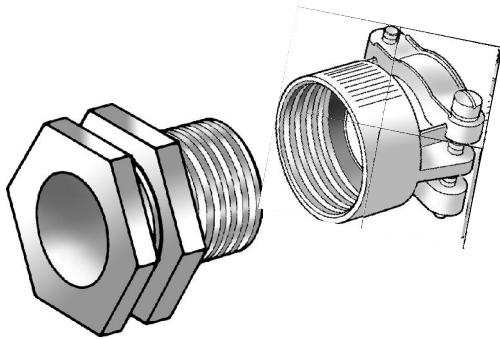
1. Metric dimensions (mm) are indicated in parentheses.
2. Cable range is defined as the accommodations range for the wire bundle or cable. Dimensions shown are not intended for inspection criteria.
3. Style C saddles are bottomed on clamp ears.

TABLE V: CABLE ENTRY

Dash No.	P		R		S		T		W		X - Cable Range			
	Max		Max		Max		Max		Max		Min **	Max		
03*	.844	(21.4)	n/a		.562	(14.3)	.843	(21.4)	.630	(16.0)	.156	(4.0)	.250	(6.4)
04*	.844	(21.4)	n/a		.562	(14.3)	.906	(23.0)	.755	(19.2)	.188	(4.8)	.312	(7.9)
06*	.906	(23.0)	n/a		.562	(14.3)	1.093	(27.8)	.942	(23.9)	.281	(7.1)	.438	(11.1)
08	.969	(24.6)	1.312	(33.3)	.562	(14.3)	1.187	(30.1)	1.067	(27.1)	.344	(8.7)	.562	(14.3)
10	.969	(24.6)	1.312	(33.3)	.562	(14.3)	1.281	(32.5)	1.192	(30.3)	.375	(9.5)	.625	(15.9)
12	.969	(24.6)	1.344	(34.1)	.562	(14.3)	1.500	(38.1)	1.380	(35.1)	.438	(11.1)	.750	(19.1)
16	1.062	(27.0)	1.688	(42.9)	.562	(14.3)	1.719	(43.7)	1.535	(39.0)	.562	(14.3)	.938	(23.8)
20	1.125	(28.6)	1.906	(48.4)	.562	(14.3)	2.062	(52.4)	1.848	(46.9)	.750	(19.1)	1.250	(31.8)
24	1.188	(30.2)	1.906	(48.4)	.594	(15.1)	2.312	(58.7)	2.255	(57.3)	.781	(19.8)	1.375	(34.9)
28	1.719	(43.7)	2.125	(54.0)	.594	(15.1)	2.719	(69.1)	2.505	(63.6)	.969	(24.6)	1.625	(41.3)
32*	1.781	(45.2)	n/a		.750	(19.1)	2.969	(75.4)	2.755	(70.0)	1.125	(28.6)	1.875	(47.6)
40*	1.781	(45.2)	n/a		.812	(20.6)	3.531	(89.7)	3.255	(82.7)	1.469	(37.3)	2.375	(60.3)

\* Not available in Style M clamp.

\*\* Not Applicable Style D



## PRODUCT FEATURES

- n Bulkhead Cable Feed-throughs with Optional Environmental Sealing, Shield Termination and Strain-Relief
- n Front and Rear Panel Mounts
- n Front and Rear Jam Nut Mounts
- n Submersible Cable Sealing Designs
- n Straight, 45°, 90° Configurations
- n G-Spring, Banding and Conical Ring Type Shield Terminations

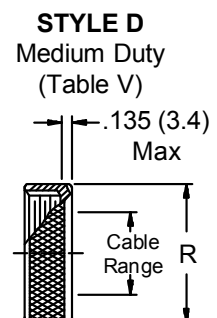
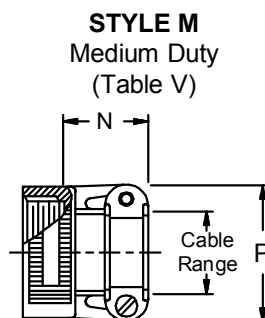
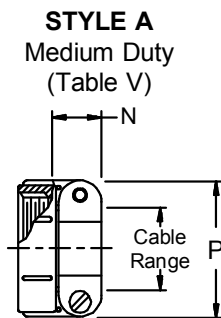
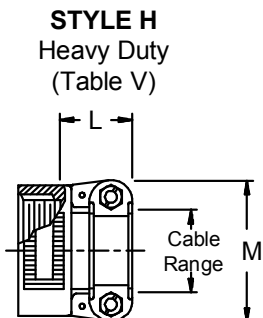
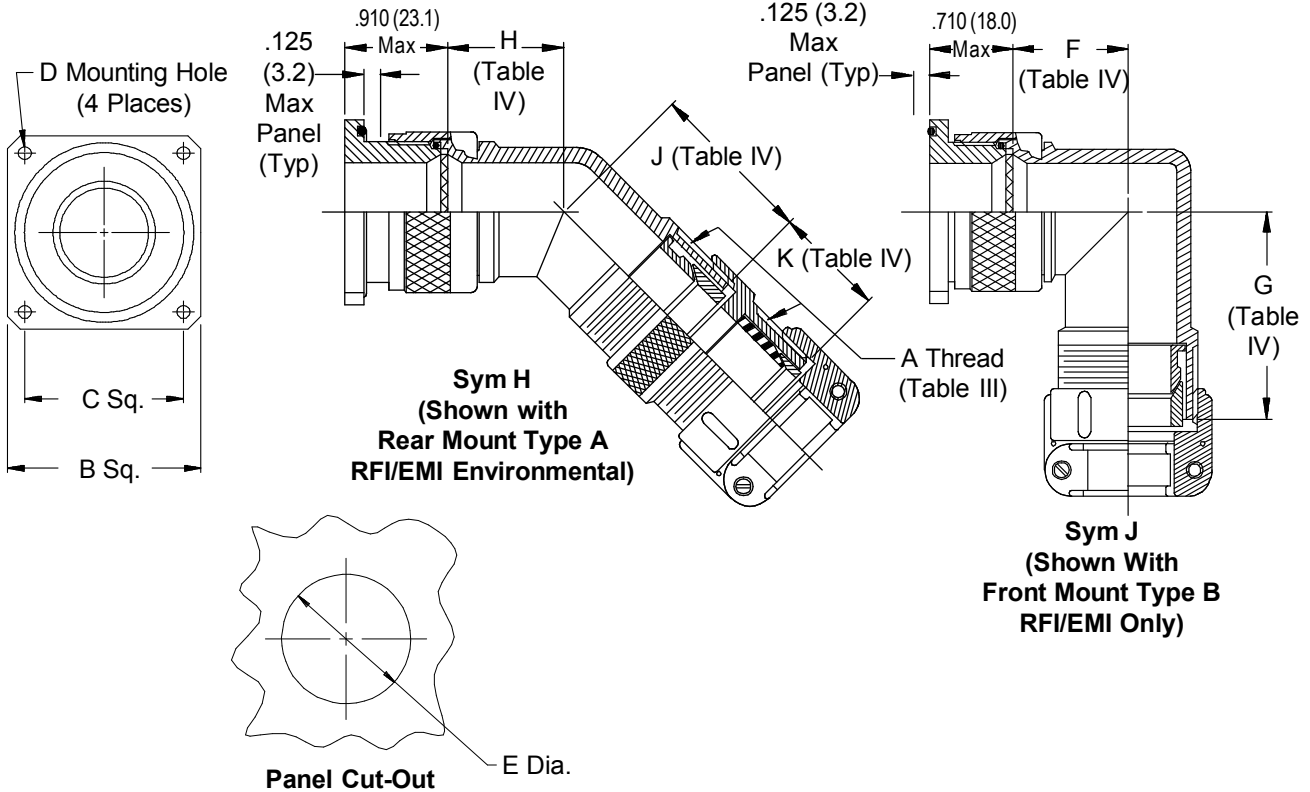
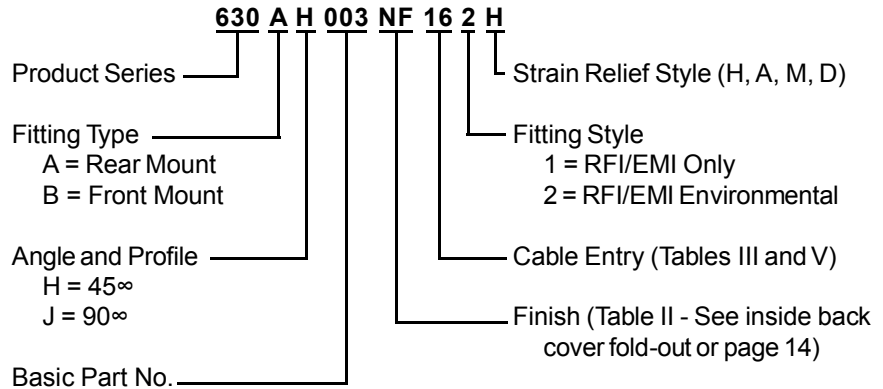
Complete flexibility in routing for all bulkhead and enclosure applications

*The industry's widest selection of feed-through fittings*

This section includes a wide variety of bulkhead fittings that feature environmental sealing, shield terminating, strain reliefs and angular shaped options to facilitate the routing of cables or conduit through bulkheads or other enclosures.



**Single Overall**  
**EMI/RFI**  
**Shield Termination**



**630-003**  
**EMI/RFI Environmental Bulkhead Feed-Through**  
with Strain Relief  
**Front and Rear Panel Mount - 45° and 90°**



**TABLE III: CABLE ENTRY**

Dash No.	Clamp Size	Cable Range		A Thread	B Dim	C Sq.	D Dia		E Dia
		Min	Max				+ .015 (-0.000)	(+ .4) (-0)	
01	03	.157 (4.0)	.250 (6.4)	1/2 -28	.885 (22.5)	.593 (15.1)	.120 (3.0)	.515 (13.1)	
03	04	.187 (4.7)	.312 (7.9)	5/8 -24	1.104 (28.0)	.812 (20.6)	.120 (3.0)	.640 (16.3)	
05	06	.281 (7.1)	.437 (11.1)	3/4 -20	1.197 (30.4)	.906 (23.0)	.120 (3.0)	.765 (19.4)	
07	08	.344 (8.7)	.562 (14.3)	7/8 -20	1.291 (32.8)	.968 (24.6)	.120 (3.0)	.890 (22.6)	
09	10	.375 (9.5)	.625 (15.9)	1 -20	1.385 (35.2)	1.062 (27.0)	.120 (3.0)	1.015 (25.8)	
11	12	.438 (11.1)	.750 (19.1)	1 3/16 -18	1.635 (41.5)	1.250 (31.8)	.120 (3.0)	1.202 (30.5)	
13	16	.625 (15.9)	.937 (23.8)	1 7/16 -18	1.760 (44.7)	1.375 (34.9)	.147 (3.7)	1.452 (36.9)	
15	20	.875 (22.2)	1.250 (31.8)	1 3/4 -18	2.010 (51.1)	1.562 (39.7)	.147 (3.7)	1.765 (44.8)	
17	24	1.000 (25.4)	1.375 (34.9)	2 -18	2.260 (57.4)	1.750 (44.5)	.173 (4.4)	2.015 (51.2)	
19	28	1.250 (31.8)	1.625 (41.3)	2 1/4 -16	2.510 (63.8)	1.938 (49.2)	.173 (4.4)	2.265 (57.5)	
21	32	1.437 (36.5)	1.875 (47.6)	2 1/2 -16	2.781 (70.6)	2.188 (55.6)	.173 (4.4)	2.515 (63.9)	
23	40	1.875 (47.6)	2.250 (57.2)	3 -16	3.281 (83.3)	2.625 (66.7)	.173 (4.4)	3.015 (76.6)	

**TABLE IV: ELBOW DIMENSIONS**

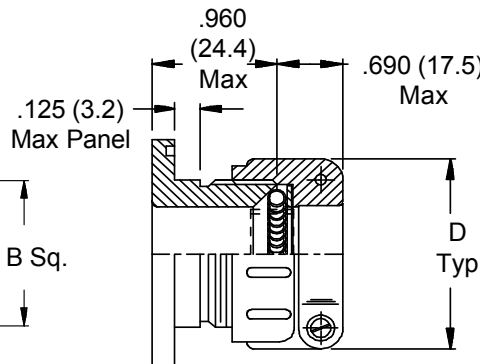
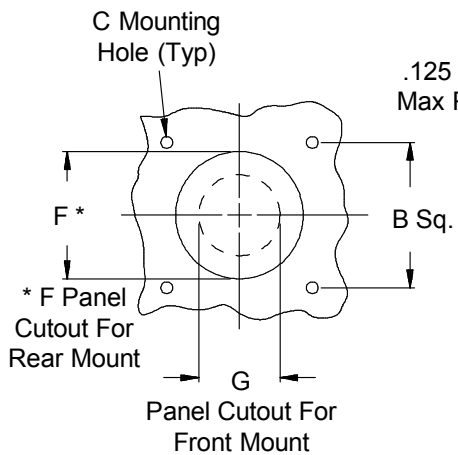
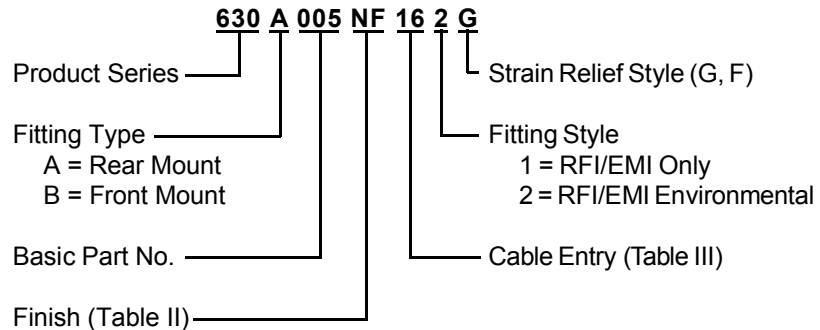
Dash No.	Clamp Size	F Max	G Max	H Max	J Max	K Max
01	03	.750 (19.1)	1.000 (25.4)	.639 (16.2)	.890 (22.6)	.670 (17.0)
03	04	.810 (20.6)	1.060 (26.9)	.664 (16.9)	.920 (23.4)	.670 (17.0)
05	06	.870 (22.1)	1.125 (28.6)	.688 (17.5)	.940 (23.9)	.670 (17.0)
07	08	.920 (23.4)	1.190 (30.2)	.705 (17.9)	.970 (24.6)	.670 (17.0)
09	10	.980 (24.9)	1.250 (31.8)	.732 (18.6)	.990 (25.1)	.670 (17.0)
11	12	1.080 (27.4)	1.330 (33.8)	.773 (19.6)	1.020 (25.9)	.670 (17.0)
13	16	1.200 (30.5)	1.480 (37.6)	.823 (20.9)	1.090 (27.7)	.670 (17.0)
15	20	1.480 (37.6)	1.781 (45.2)	1.041 (26.4)	1.322 (33.6)	.700 (17.8)
17	24	1.610 (40.9)	1.938 (49.2)	1.092 (27.7)	1.425 (36.2)	.700 (17.8)
19	28	1.720 (43.7)	2.045 (51.9)	1.138 (28.9)	1.475 (37.5)	.700 (17.8)
21	32	1.830 (46.5)	2.218 (56.3)	1.184 (30.1)	1.578 (40.1)	.820 (20.8)
23	40	2.080 (52.8)	2.594 (65.9)	1.287 (32.7)	1.802 (45.8)	.820 (20.8)

**TABLE V: CABLE ENTRY**

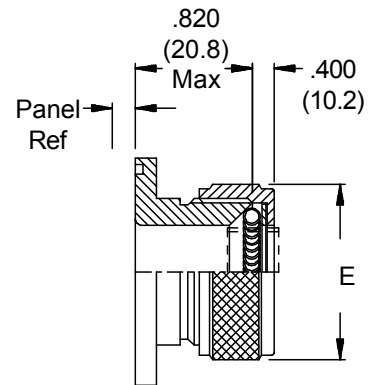
Dash No.	Clamp Size	L Max	M Max	N Max	P Max	R Max
01	03	---	---	.760 (19.3)	.843 (21.4)	.630 (16.0)
03	04	.780 (19.8)	.957 (24.3)	.760 (19.3)	.906 (23.0)	.755 (19.2)
05	06	.780 (19.8)	1.145 (29.1)	.760 (19.3)	1.093 (27.8)	.942 (23.9)
07	08	.780 (19.8)	1.332 (33.8)	.760 (19.3)	1.187 (30.1)	1.067 (27.1)
09	10	.780 (19.8)	1.332 (33.8)	.760 (19.3)	1.281 (32.5)	1.192 (30.3)
11	12	.811 (20.6)	1.551 (39.4)	.760 (19.3)	1.500 (38.1)	1.380 (35.1)
13	16	.905 (23.0)	1.770 (45.0)	1.073 (27.3)	1.719 (43.7)	1.535 (39.0)
15	20	1.092 (27.7)	2.113 (53.7)	1.323 (33.6)	2.062 (52.4)	1.848 (46.9)
17	24	1.124 (28.5)	2.363 (60.0)	1.323 (33.6)	2.312 (58.7)	2.255 (57.3)
19	28	1.399 (35.5)	2.770 (70.4)	1.572 (39.9)	2.719 (69.1)	2.505 (63.6)
21	32	1.399 (35.5)	3.020 (76.7)	1.572 (39.9)	2.969 (75.4)	2.755 (70.0)
23	40	---	---	1.572 (39.9)	3.531 (89.7)	3.255 (82.7)

1. Metric dimensions (mm) are indicated in parentheses.
2. Cable range is defined as the accommodations range for the wire bundle or cable. Dimensions shown are not intended for inspection criteria.

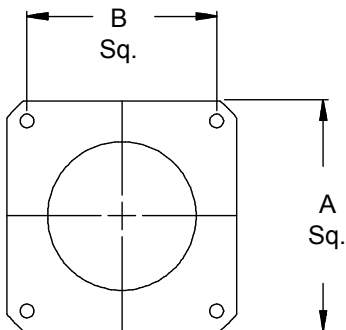
**"G"-Spring  
EMI/RFI  
Shield  
Termination**



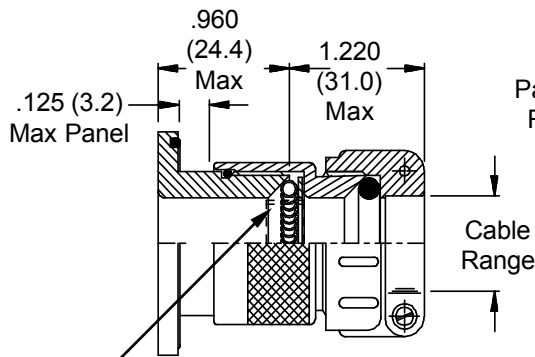
**Style 1  
RFI/EMI  
Rear Mount Type A  
(Shown With Style F  
Strain Relief)**



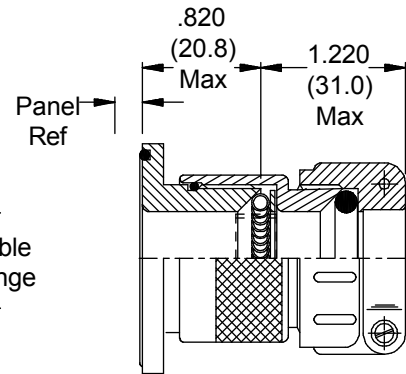
**Style 1  
RFI/EMI  
Front Mount Type B  
(Shown With Style G  
Gland Nut)**



469-001-XX Shield Support Ring  
(order separately) is recom-  
mended for use in all G-Spring  
Bulkhead Fittings (see page 460-3)



**Style 2  
RFI/EMI Environmental  
Rear Mount Type A  
(Shown With Style F  
Strain Relief)**



**Style 2  
RFI/EMI Environmental  
Front Mount Type B  
(Shown With Style F  
Strain Relief)**

**630-005**  
**EMI/RFI Environmental G-Spring Bulkhead Fitting**  
with Strain Relief  
**Front and Rear Panel Mount - Straight**



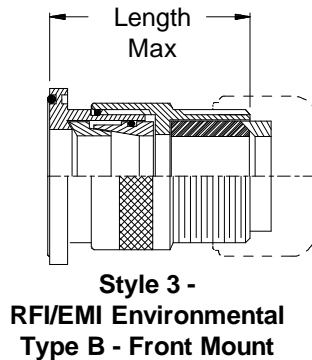
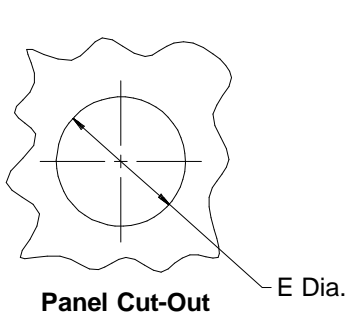
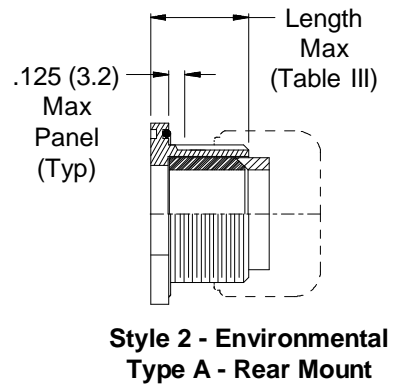
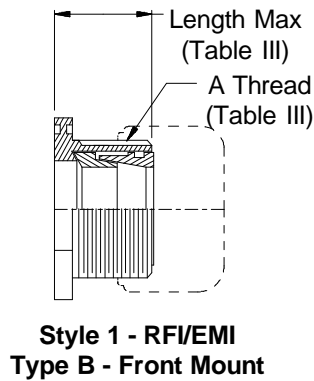
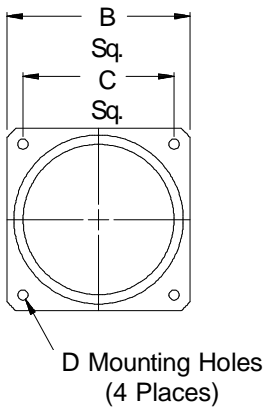
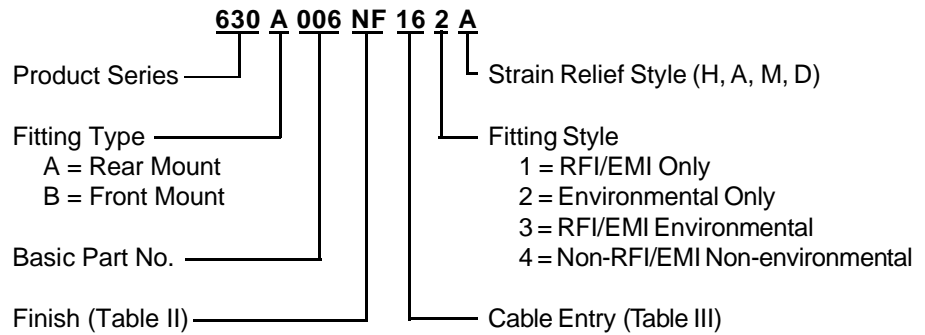
See inside back cover fold-out or page 14 for Table II.

TABLE III: CABLE ENTRY									
Dash No.	Cable Range		A Max	B Dim	C				
	Min	Max			+0.015 (-0)	+0.4 (-0.0)			
01	.156 (4.0)	.250 (6.4)	.885 (22.5)	.593 (15.1)	.120 (3.0)	.120 (3.0)			
02	.188 (4.8)	.375 (9.5)	1.104 (28.0)	.812 (20.6)	.120 (3.0)	.120 (3.0)			
03	.250 (6.4)	.438 (11.1)	1.197 (30.4)	.906 (23.0)	.120 (3.0)	.120 (3.0)			
04	.280 (7.1)	.500 (12.7)	1.291 (32.8)	.968 (24.6)	.120 (3.0)	.120 (3.0)			
05	.375 (9.5)	.625 (15.9)	1.385 (35.2)	1.062 (27.0)	.120 (3.0)	.120 (3.0)			
06	.500 (12.7)	.750 (19.1)	1.635 (41.5)	1.250 (31.8)	.120 (3.0)	.120 (3.0)			
07	.625 (15.9)	.875 (22.2)	1.760 (44.7)	1.375 (34.9)	.147 (3.7)	.147 (3.7)			
08	.750 (19.1)	1.000 (25.4)	2.010 (51.1)	1.562 (39.7)	.147 (3.7)	.147 (3.7)			
09	.875 (22.2)	1.125 (28.6)	2.260 (57.4)	1.750 (44.5)	.173 (4.4)	.173 (4.4)			
10	1.000 (25.4)	1.250 (31.8)	2.510 (63.8)	1.938 (49.2)	.173 (4.4)	.173 (4.4)			
11	1.125 (28.6)	1.375 (34.9)	2.760 (70.1)	2.125 (54.0)	.173 (4.4)	.173 (4.4)			

TABLE III (Continued)						
Dash No.	D Max	E Max	F		G	
			+0.015 (-0)	+0.4 (-0.0)	+0.031 (-0)	+0.8 (-0.0)
01	.843 (21.4)	.625 (15.9)	.515 (13.1)	.250 (6.4)	.250 (6.4)	.250 (6.4)
02	.968 (24.6)	.750 (19.1)	.640 (16.3)	.375 (9.5)	.375 (9.5)	.375 (9.5)
03	1.046 (26.6)	.875 (22.2)	.765 (19.4)	.438 (11.1)	.438 (11.1)	.438 (11.1)
04	1.156 (29.4)	1.000 (25.4)	.890 (22.6)	.500 (12.7)	.500 (12.7)	.500 (12.7)
05	1.218 (30.9)	1.125 (28.6)	1.015 (25.8)	.625 (15.9)	.625 (15.9)	.625 (15.9)
06	1.343 (34.1)	1.250 (31.8)	1.140 (29.0)	.750 (19.1)	.750 (19.1)	.750 (19.1)
07	1.468 (37.3)	1.375 (34.9)	1.265 (32.1)	.875 (22.2)	.875 (22.2)	.875 (22.2)
08	1.593 (40.5)	1.500 (38.1)	1.390 (35.3)	1.000 (25.4)	1.000 (25.4)	1.000 (25.4)
09	1.718 (43.6)	1.625 (41.3)	1.515 (38.5)	1.125 (28.6)	1.125 (28.6)	1.125 (28.6)
10	1.843 (46.8)	1.750 (44.5)	1.640 (41.7)	1.250 (31.8)	1.250 (31.8)	1.250 (31.8)
11	2.187 (55.5)	1.875 (47.6)	1.765 (44.8)	1.375 (34.9)	1.375 (34.9)	1.375 (34.9)

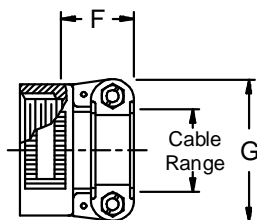
1. Metric dimensions (mm) are indicated in parentheses.
2. Cable range is defined as the accommodations range for the wire bundle or cable. Dimensions shown are not intended for inspection criteria.
3. For proper termination, it is recommended that Glenair 469-001 Shield Support Ring (page 460-3) must be used on all assemblies. Place ring over wire and under shield; position under G-Spring.

**Single Overall  
 EMI/RFI  
 Shield  
 Termination**

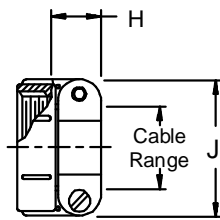


1. Metric dimensions (mm) are indicated in parentheses.
2. Cable range is defined as the accommodations range for the wire bundle or cable. Dimensions shown are not intended for inspection criteria.

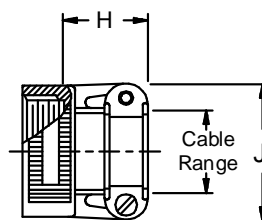
**STYLE H**  
 Heavy Duty



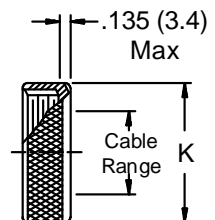
**STYLE A**  
 Medium Duty



**STYLE M**  
 Medium Duty



**STYLE D**  
 Medium Duty



**630-006**  
**EMI/RFI Environmental Bulkhead Feed-Through**  
 with Strain Relief  
 Front and Rear Panel Mount - Straight



See inside back cover fold-out or page 14 for Table II.

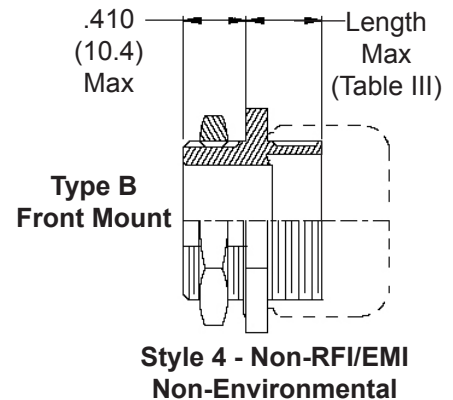
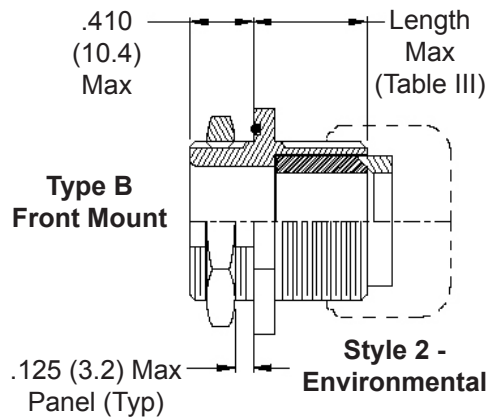
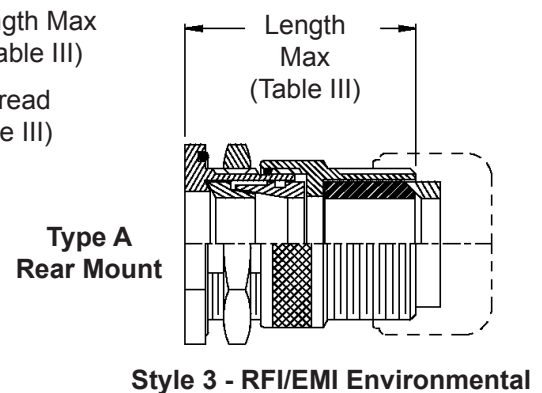
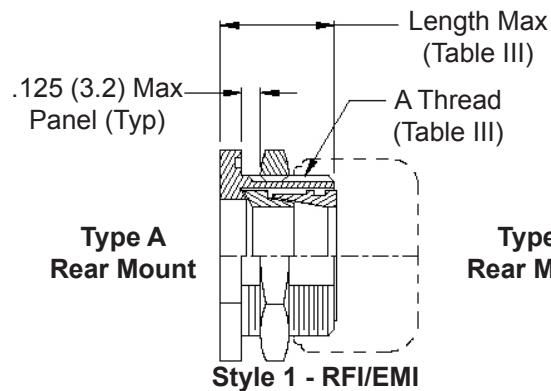
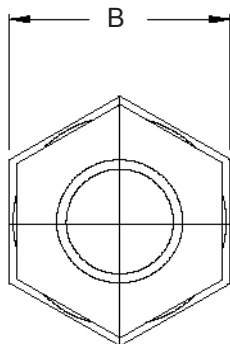
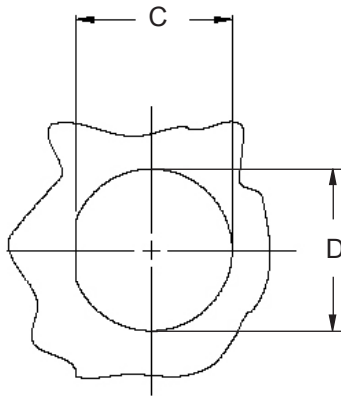
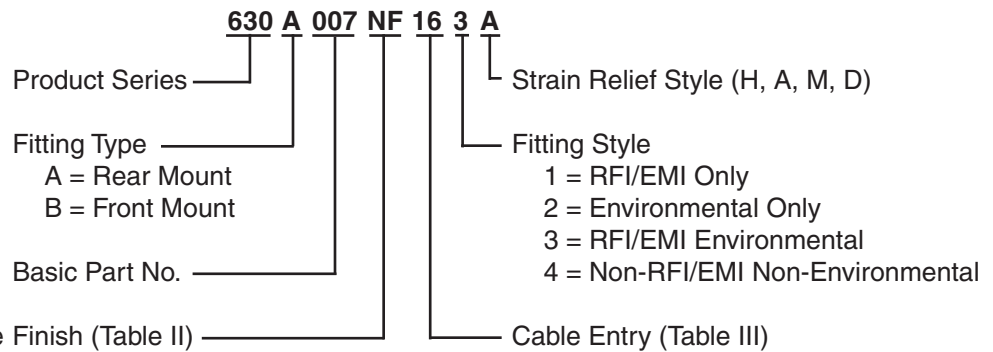
Dash No.	Clamp Style	Clamp Size	Cable Range		A Thread		B		C Sq.		D Dia -.000	E Dia -.000
			Min	Max	Unified	Dim	±.010	(±.3)	+ .015 (+.4)	+ .030 (+.8)		
01	1, 2	03	.157 (4.0)	.250 (6.4)	1/2-28	.885 (22.5)	.593 (15.1)	.120 (3.0)	.250 (6.4)			
02	3	03	.157 (4.0)	.250 (6.4)	1/2-28	.885 (22.5)	.593 (15.1)	.120 (3.0)	.250 (6.4)			
03	1,2	04	.187 (4.7)	.312 (7.9)	5/8-24	1.104 (28.0)	.812 (20.6)	.120 (3.0)	.312 (7.9)			
04	3	04	.187 (4.7)	.312 (7.9)	5/8-24	1.104 (28.0)	.812 (20.6)	.120 (3.0)	.312 (7.9)			
05	1, 2	06	.281 (7.1)	.437 (11.1)	3/4-20	1.197 (30.4)	.906 (23.0)	.120 (3.0)	.437 (11.1)			
06	3	06	.281 (7.1)	.437 (11.1)	3/4-20	1.197 (30.4)	.906 (23.0)	.120 (3.0)	.437 (11.1)			
07	1,2	08	.344 (8.7)	.562 (14.3)	7/8-20	1.291 (32.8)	.968 (24.6)	.120 (3.0)	.562 (14.3)			
08	3	08	.344 (8.7)	.562 (14.3)	7/8-20	1.291 (32.8)	.968 (24.6)	.120 (3.0)	.562 (14.3)			
09	1, 2	10	.375 (9.5)	.625 (15.9)	1-20	1.385 (35.2)	1.062 (27.0)	.120 (3.0)	.625 (15.9)			
10	3	10	.375 (9.5)	.625 (15.9)	1-20	1.385 (35.2)	1.062 (27.0)	.120 (3.0)	.625 (15.9)			
11	1,2	12	.438 (11.1)	.750 (19.1)	1 3/16-18	1.635 (41.5)	1.250 (31.8)	.120 (3.0)	.750 (19.1)			
12	3	12	.438 (11.1)	.750 (19.1)	1 3/16-18	1.635 (41.5)	1.250 (31.8)	.120 (3.0)	.750 (19.1)			
13	1, 2	16	.625 (15.9)	.937 (23.8)	1 7/16-18	1.760 (44.7)	1.375 (34.9)	.147 (3.7)	.937 (23.8)			
14	3	16	.625 (15.9)	.937 (23.8)	1 7/16-18	1.760 (44.7)	1.375 (34.9)	.147 (3.7)	.937 (23.8)			
15	1,2	20	.875 (22.2)	1.250 (31.8)	1 3/4-18	2.010 (51.1)	1.562 (39.7)	.147 (3.7)	1.250 (31.8)			
16	3	20	.875 (22.2)	1.250 (31.8)	1 3/4-18	2.010 (51.1)	1.562 (39.7)	.147 (3.7)	1.250 (31.8)			
17	1, 2	24	1.000 (25.4)	1.375 (34.9)	2-18	2.260 (57.4)	1.750 (44.5)	.173 (4.4)	1.375 (34.9)			
18	3	24	1.000 (25.4)	1.375 (34.9)	2-18	2.260 (57.4)	1.750 (44.5)	.173 (4.4)	1.375 (34.9)			
19	1,2	28	1.250 (31.8)	1.625 (41.3)	2 1/4-16	2.510 (63.8)	1.938 (49.2)	.173 (4.4)	1.625 (41.3)			
20	3	28	1.250 (31.8)	1.625 (41.3)	2 1/4-16	2.510 (63.8)	1.938 (49.2)	.173 (4.4)	1.625 (41.3)			
21	1, 2	32	1.437 (36.5)	1.875 (47.6)	2 1/2-16	2.781 (70.6)	2.188 (55.6)	.173 (4.4)	1.875 (47.6)			
22	3	32	1.437 (36.5)	1.875 (47.6)	2 1/2-16	2.781 (70.6)	2.188 (55.6)	.173 (4.4)	1.875 (47.6)			
23	1,2	40	1.875 (47.6)	2.375 (60.3)	3-16	3.281 (83.3)	2.625 (66.7)	.173 (4.4)	2.375 (60.3)			
24	3	40	1.875 (47.6)	2.375 (60.3)	3-16	3.281 (83.3)	2.625 (66.7)	.173 (4.4)	2.375 (60.3)			

Dash No.	Style	F Max	G Max	H Max	J Max	K Max	Length Max
01	1, 2	---	---	.760 (19.3)	.843 (21.4)	.630 (16.0)	.971 (24.7)
02	3	---	---	.760 (19.3)	.843 (21.4)	.630 (16.0)	1.820 (46.2)
03	1,2	.780 (19.8)	.957 (24.3)	.760 (19.3)	.906 (23.0)	.755 (19.2)	.971 (24.7)
04	3	.780 (19.8)	.957 (24.3)	.760 (19.3)	.906 (23.0)	.755 (19.2)	1.820 (46.2)
05	1, 2	.780 (19.8)	1.145 (29.1)	.760 (19.3)	1.093 (27.8)	.942 (23.9)	.971 (24.7)
06	3	.780 (19.8)	1.145 (29.1)	.760 (19.3)	1.093 (27.8)	.942 (23.9)	1.820 (46.2)
07	1,2	.780 (19.8)	1.332 (33.8)	.760 (19.3)	1.187 (30.1)	1.067 (27.1)	.971 (24.7)
08	3	.780 (19.8)	1.332 (33.8)	.760 (19.3)	1.187 (30.1)	1.067 (27.1)	1.820 (46.2)
09	1, 2	.780 (19.8)	1.332 (33.8)	.760 (19.3)	1.281 (32.5)	1.192 (30.3)	.971 (24.7)
10	3	.780 (19.8)	1.332 (33.8)	.760 (19.3)	1.281 (32.5)	1.192 (30.3)	1.820 (46.2)
11	1,2	.811 (20.6)	1.551 (39.4)	.760 (19.3)	1.500 (38.1)	1.380 (35.1)	1.031 (26.2)
12	3	.811 (20.6)	1.551 (39.4)	.760 (19.3)	1.500 (38.1)	1.380 (35.1)	1.820 (46.2)
13	1, 2	.905 (23.0)	1.770 (45.0)	1.073 (27.3)	1.719 (43.7)	1.535 (39.0)	1.031 (26.2)
14	3	.905 (23.0)	1.770 (45.0)	1.073 (27.3)	1.719 (43.7)	1.535 (39.0)	1.820 (46.2)
15	1,2	1.092 (27.7)	2.113 (53.7)	1.323 (33.6)	2.062 (52.4)	1.848 (46.9)	1.031 (26.2)
16	3	1.092 (27.7)	2.113 (53.7)	1.323 (33.6)	2.062 (52.4)	1.848 (46.9)	1.820 (46.2)
17	1, 2	1.124 (28.5)	2.363 (60.0)	1.323 (33.6)	2.312 (58.7)	2.255 (57.3)	1.095 (27.8)
18	3	1.124 (28.5)	2.363 (60.0)	1.323 (33.6)	2.312 (58.7)	2.255 (57.3)	1.820 (46.2)
19	1,2	1.399 (35.5)	2.770 (70.4)	1.572 (39.9)	2.719 (69.1)	2.505 (63.6)	1.095 (27.8)
20	3	1.399 (35.5)	2.770 (70.4)	1.572 (39.9)	2.719 (69.1)	2.505 (63.6)	1.820 (46.2)
21	1, 2	1.399 (35.5)	3.020 (76.7)	1.572 (39.9)	2.969 (75.4)	2.755 (70.0)	1.095 (27.8)
22	3	1.399 (35.5)	3.020 (76.7)	1.572 (39.9)	2.969 (75.4)	2.755 (70.0)	1.940 (49.3)
23	1,2	---	---	1.572 (39.9)	3.531 (89.7)	3.255 (82.7)	1.220 (31.0)
24	3	---	---	1.572 (39.9)	3.531 (89.7)	3.255 (82.7)	2.060 (52.3)



### Single Overall EMI/RFI Shield Termination

1. Metric dimensions (mm) are indicated in parentheses.
2. Cable range is defined as the accommodations range for the wire bundle or cable. Dimensions shown are not intended for inspection criteria.

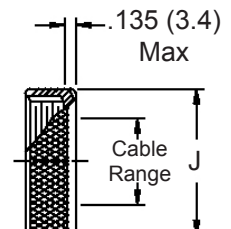
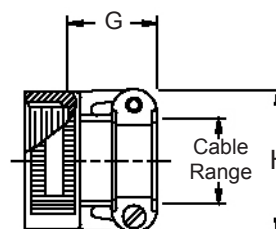
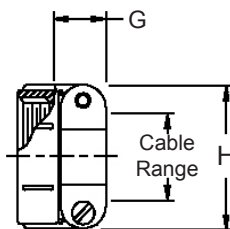
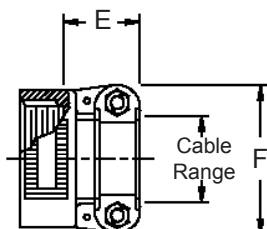


**STYLE H**  
Heavy Duty

**STYLE A**  
Medium Duty

**STYLE M**  
Medium Duty

**STYLE D**  
Medium Duty



630-007

**EMI/RFI Environmental Bulkhead Feed-Through**  
with Strain Relief  
Front and Rear Jam Nut Mount - Straight



63

See inside back cover fold-out or page 14 for Table II.

TABLE III: CABLE ENTRY

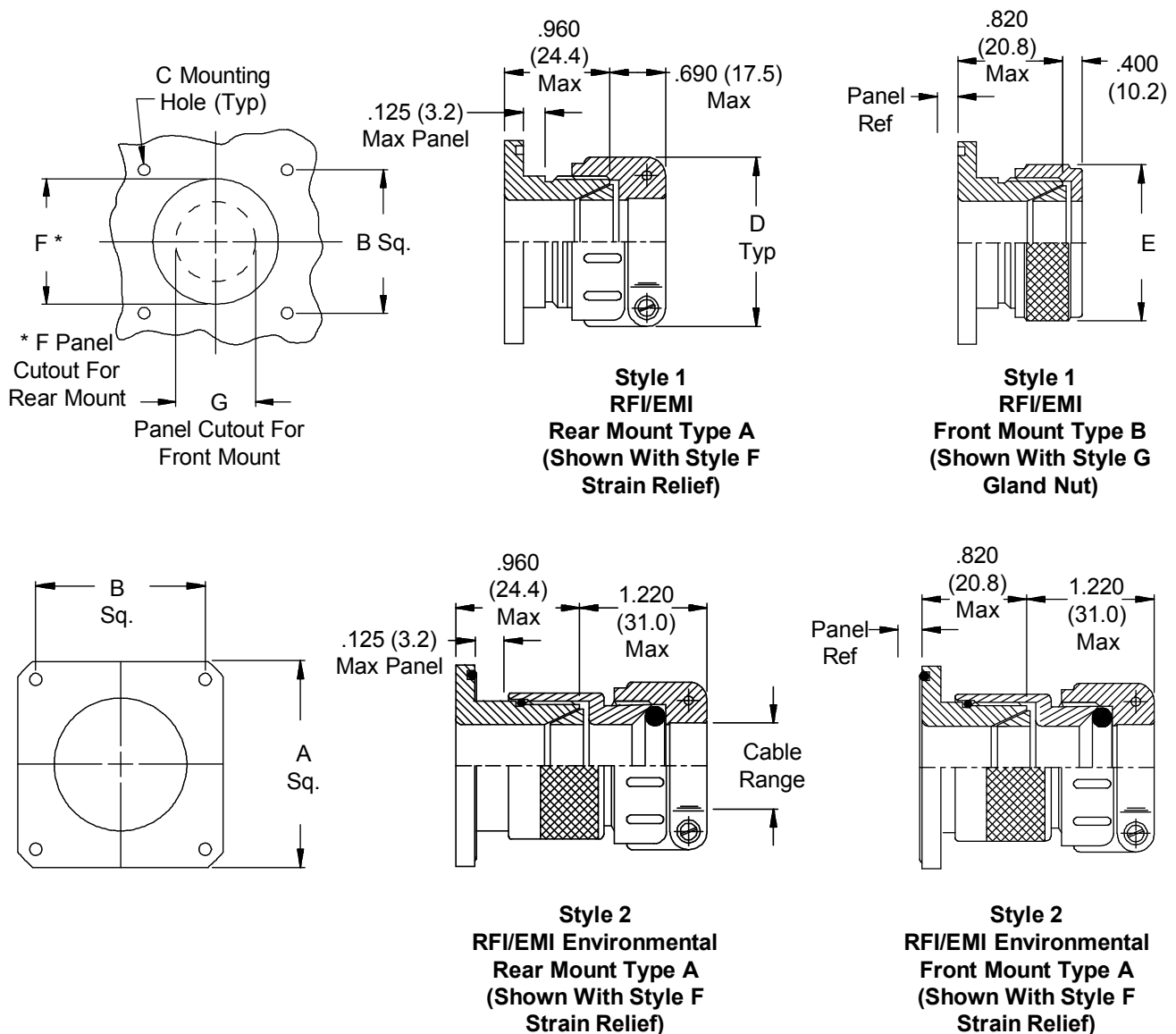
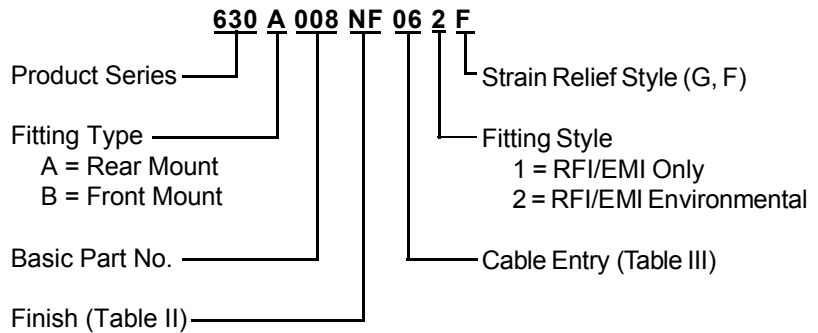
Dash No.	Clamp Style	Clamp Size	Cable Range		A Thread Unified	B Dim	C Flat		D Dia				
			Min	Max			± .010	(± .3)	± .010	(± .3)			
01	1, 2, 4	03*	.157	(4.0)	.250	(6.4)	1/2 -28	.688	(17.5)	.479	(12.2)	.515	(13.1)
02	3	03*	.157	(4.0)	.250	(6.4)	1/2 -28	.688	(17.5)	.479	(12.2)	.515	(13.1)
03	1, 2, 4	04*	.187	(4.7)	.312	(7.9)	5/8 -24	.813	(20.7)	.595	(15.1)	.640	(16.3)
04	3	04*	.187	(4.7)	.312	(7.9)	5/8 -24	.813	(20.7)	.595	(15.1)	.640	(16.3)
05	1, 2, 4	06*	.281	(7.1)	.437	(11.1)	3/4 -20	.938	(23.8)	.720	(18.3)	.765	(19.4)
06	3	06*	.281	(7.1)	.437	(11.1)	3/4 -20	.938	(23.8)	.720	(18.3)	.765	(19.4)
07	1, 2, 4	08	.344	(8.7)	.562	(14.3)	7/8 -20	1.063	(27.0)	.845	(21.5)	.890	(22.6)
08	3	08	.344	(8.7)	.562	(14.3)	7/8 -20	1.063	(27.0)	.845	(21.5)	.890	(22.6)
09	1, 2, 4	10	.375	(9.5)	.625	(15.9)	1 -20	1.250	(31.8)	.970	(24.6)	1.015	(25.8)
10	3	10	.375	(9.5)	.625	(15.9)	1 -20	1.250	(31.8)	.970	(24.6)	1.015	(25.8)
11	1, 2, 4	12	.438	(11.1)	.750	(19.1)	1 3/16 -18	1.375	(34.9)	1.158	(29.4)	1.202	(30.5)
12	3	12	.438	(11.1)	.750	(19.1)	1 3/16 -18	1.375	(34.9)	1.158	(29.4)	1.202	(30.5)
13	1, 2, 4	16	.625	(15.9)	.937	(23.8)	1 7/16 -18	1.625	(41.3)	1.408	(35.8)	1.452	(36.9)
14	3	16	.625	(15.9)	.937	(23.8)	1 7/16 -18	1.625	(41.3)	1.408	(35.8)	1.452	(36.9)
15	1, 2, 4	20	.875	(22.2)	1.250	(31.8)	1 3/4 -18	2.000	(50.8)	1.720	(43.7)	1.765	(44.8)
16	3	20	.875	(22.2)	1.250	(31.8)	1 3/4 -18	2.000	(50.8)	1.720	(43.7)	1.765	(44.8)
17	1, 2, 4	24	1.000	(25.4)	1.375	(34.9)	2 -18	2.188	(55.6)	1.970	(50.0)	2.015	(51.2)
18	3	24	1.000	(25.4)	1.375	(34.9)	2 -18	2.188	(55.6)	1.970	(50.0)	2.015	(51.2)
19	1, 2, 4	28	1.250	(31.8)	1.625	(41.3)	2 1/4 -16	2.438	(61.9)	2.220	(56.4)	2.265	(57.5)
20	3	28	1.250	(31.8)	1.625	(41.3)	2 1/4 -16	2.438	(61.9)	2.220	(56.4)	2.265	(57.5)
21	1, 2, 4	32*	1.437	(36.5)	1.875	(47.6)	2 1/2 -16	2.813	(71.5)	2.470	(62.7)	2.515	(63.9)
22	3	32*	1.437	(36.5)	1.875	(47.6)	2 1/2 -16	2.813	(71.5)	2.470	(62.7)	2.515	(63.9)
23	1, 2, 4	40*	1.875	(47.6)	2.375	(60.3)	3 -16	3.375	(85.7)	2.970	(75.4)	3.015	(76.6)
24	3	40*	1.875	(47.6)	2.375	(60.3)	3 -16	3.375	(85.7)	2.970	(75.4)	3.015	(76.6)

\* Not Available in Style M Clamp

TABLE III (Continued)

Dash No.	Style	E Max		F Max		G Max		H Max		J Max		Length Max	
01	1, 2, 4	---	---	---	---	.760	(19.3)	.843	(21.4)	.630	(16.0)	1.281	(32.5)
02	3	---	---	---	---	.760	(19.3)	.843	(21.4)	.630	(16.0)	1.969	(50.0)
03	1, 2, 4	.780	(19.8)	.957	(24.3)	.760	(19.3)	.906	(23.0)	.755	(19.2)	1.281	(32.5)
04	3	.780	(19.8)	.957	(24.3)	.760	(19.3)	.906	(23.0)	.755	(19.2)	1.969	(50.0)
05	1, 2, 4	.780	(19.8)	1.145	(29.1)	.760	(19.3)	1.093	(27.8)	.942	(23.9)	1.281	(32.5)
06	3	.780	(19.8)	1.145	(29.1)	.760	(19.3)	1.093	(27.8)	.942	(23.9)	1.969	(50.0)
07	1, 2, 4	.780	(19.8)	1.332	(33.8)	.760	(19.3)	1.187	(30.1)	1.067	(27.1)	1.281	(32.5)
08	3	.780	(19.8)	1.332	(33.8)	.760	(19.3)	1.187	(30.1)	1.067	(27.1)	1.969	(50.0)
09	1, 2, 4	.780	(19.8)	1.332	(33.8)	.760	(19.3)	1.281	(32.5)	1.192	(30.3)	1.281	(32.5)
10	3	.780	(19.8)	1.332	(33.8)	.760	(19.3)	1.281	(32.5)	1.192	(30.3)	1.969	(50.0)
11	1, 2, 4	.811	(20.6)	1.551	(39.4)	.760	(19.3)	1.500	(38.1)	1.380	(35.1)	1.344	(34.1)
12	3	.811	(20.6)	1.551	(39.4)	.760	(19.3)	1.500	(38.1)	1.380	(35.1)	1.969	(50.0)
13	1, 2, 4	.905	(23.0)	1.770	(45.0)	1.073	(27.3)	1.719	(43.7)	1.535	(39.0)	1.344	(34.1)
14	3	.905	(23.0)	1.770	(45.0)	1.073	(27.3)	1.719	(43.7)	1.535	(39.0)	1.969	(50.0)
15	1, 2, 4	1.092	(27.7)	2.113	(53.7)	1.323	(33.6)	2.062	(52.4)	1.848	(46.9)	1.344	(34.1)
16	3	1.092	(27.7)	2.113	(53.7)	1.323	(33.6)	2.062	(52.4)	1.848	(46.9)	2.062	(52.4)
17	1, 2, 4	1.124	(28.5)	2.363	(60.0)	1.323	(33.6)	2.312	(58.7)	2.255	(57.3)	1.406	(35.7)
18	3	1.124	(28.5)	2.363	(60.0)	1.323	(33.6)	2.312	(58.7)	2.255	(57.3)	2.062	(52.4)
19	1, 2, 4	1.399	(35.5)	2.770	(70.4)	1.572	(39.9)	2.719	(69.1)	2.505	(63.6)	1.406	(35.7)
20	3	1.399	(35.5)	2.770	(70.4)	1.572	(39.9)	2.719	(69.1)	2.505	(63.6)	2.062	(52.4)
21	1, 2, 4	1.399	(35.5)	3.020	(76.7)	1.572	(39.9)	2.969	(75.4)	2.755	(70.0)	1.406	(35.7)
22	3	1.399	(35.5)	3.020	(76.7)	1.572	(39.9)	2.969	(75.4)	2.755	(70.0)	2.375	(60.3)
23	1, 2, 4	---	---	---	---	1.572	(39.9)	3.531	(89.7)	3.255	(82.7)	1.531	(38.9)
24	3	---	---	---	---	1.572	(39.9)	3.531	(89.7)	3.255	(82.7)	2.375	(60.3)

**Single Overall**  
**EMI/RFI**  
**Shield Termination**



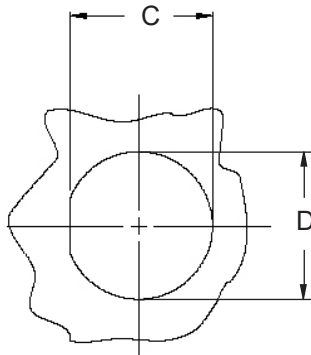
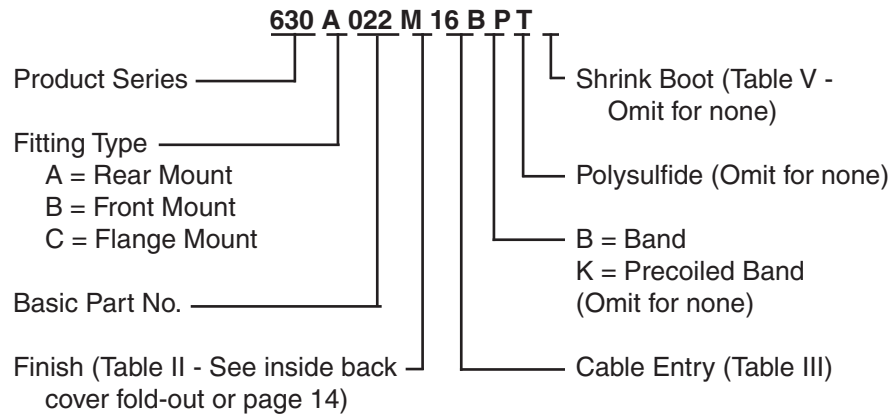
See inside back cover fold-out or page 14 for Table II.

<b>TABLE III: CABLE ENTRY</b>										
Dash No.	Cable Range				A Max	B Dim	C			
	Min	Max		+0.015 - 0			(+0.4) (-0.0)			
01	.125	(3.2)	.250	(6.4)	.885	(22.5)	.593	(15.1)	.120	(3.0)
02	.156	(4.0)	.375	(9.5)	1.104	(28.0)	.812	(20.6)	.120	(3.0)
03	.250	(6.4)	.438	(11.1)	1.197	(30.4)	.906	(23.0)	.120	(3.0)
04	.280	(7.1)	.500	(12.7)	1.291	(32.8)	.968	(24.6)	.120	(3.0)
05	.375	(9.5)	.625	(15.9)	1.385	(35.2)	1.062	(27.0)	.120	(3.0)
06	.500	(12.7)	.750	(19.1)	1.635	(41.5)	1.250	(31.8)	.120	(3.0)
07	.625	(15.9)	.875	(22.2)	1.760	(44.7)	1.375	(34.9)	.147	(3.7)
08	.750	(19.1)	1.000	(25.4)	2.010	(51.1)	1.562	(39.7)	.147	(3.7)
09	.875	(22.2)	1.125	(28.6)	2.260	(57.4)	1.750	(44.5)	.173	(4.4)
10	1.000	(25.4)	1.250	(31.8)	2.510	(63.8)	1.938	(49.2)	.173	(4.4)

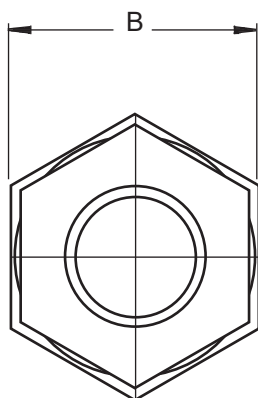
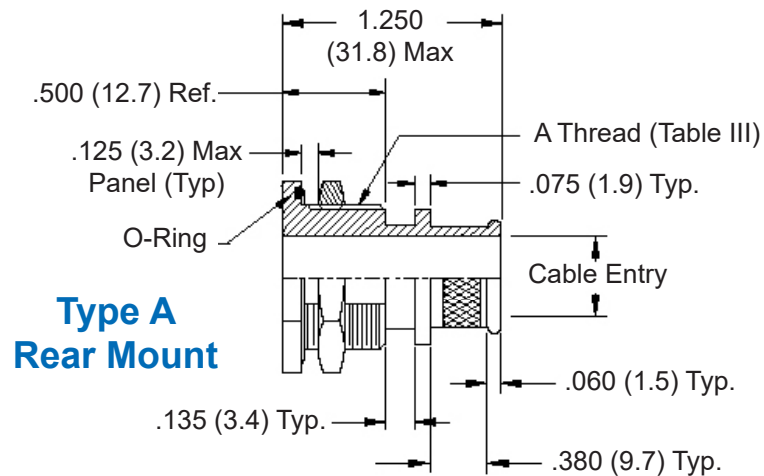
<b>TABLE III (Continued)</b>								
Dash No.	D		E		F		G	
	Max	Max	Max	Max	+0.015 - 0	(+0.4) (-0.0)	+0.031 - 0	(+0.8) (-0.0)
01	.843	(21.4)	.625	(15.9)	.515	(13.1)	.250	(6.4)
02	.968	(24.6)	.750	(19.1)	.640	(16.3)	.375	(9.5)
03	1.046	(26.6)	.875	(22.2)	.765	(19.4)	.438	(11.1)
04	1.156	(29.4)	1.000	(25.4)	.890	(22.6)	.500	(12.7)
05	1.218	(30.9)	1.125	(28.6)	1.015	(25.8)	.625	(15.9)
06	1.343	(34.1)	1.250	(31.8)	1.140	(29.0)	.750	(19.1)
07	1.468	(37.3)	1.375	(34.9)	1.265	(32.1)	.875	(22.2)
08	1.593	(40.5)	1.500	(38.1)	1.390	(35.3)	1.000	(25.4)
09	1.718	(43.6)	1.625	(41.3)	1.515	(38.5)	1.125	(28.6)
10	1.843	(46.8)	1.750	(44.5)	1.640	(41.7)	1.250	(31.8)

1. Metric dimensions (mm) are indicated in parentheses.
2. Cable range is defined as the accommodations range for the wire bundle or cable. Dimensions shown are not intended for inspection criteria.

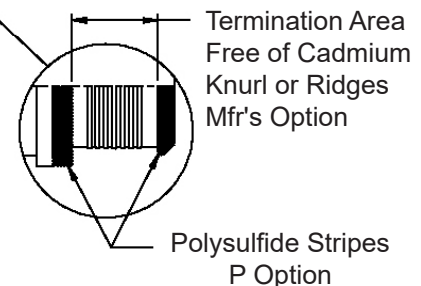
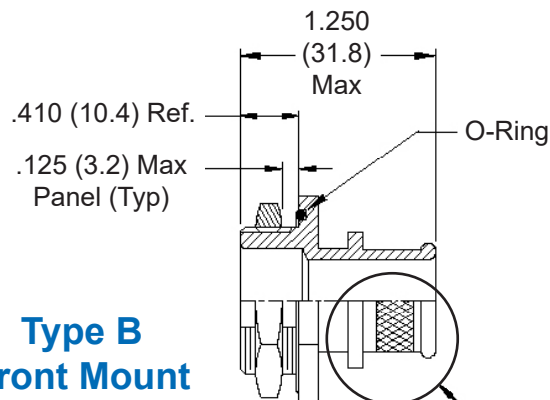
## Banding Porch Shield Termination



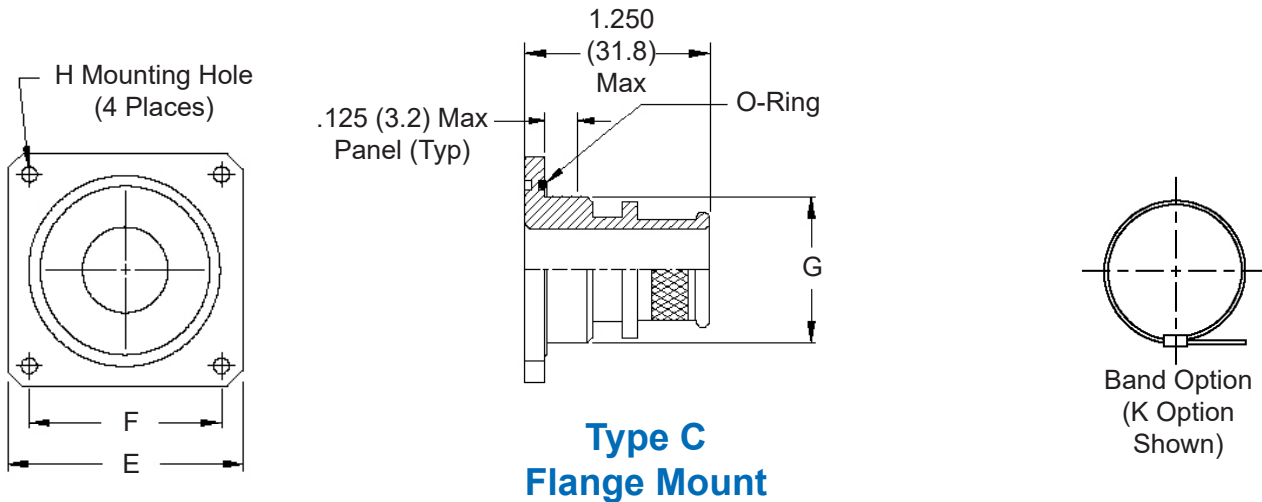
**Panel Cut-Out for  
Type A and B**



**Type B  
Front Mount**



**630-022**  
**EMI/RFI Environmental Bulkhead Banding Adapter**  
 with Optional Shrink Boot  
 Jam Nut and Panel Mount - Straight



**Type C  
 Flange Mount**

**TABLE III: CABLE ENTRY**

Dash No.	Cable Entry Dia	A Thread Unified	B Dim	C Flat ± .010 (± .3)	D Dia ± .010 (± .3)	E Sq ± .031 (± .8)	F Dim.	G Dia	
								+ .005 (+ .1)	- .015 (- .4)
02	.125 (3.2)	7/16 -28	.625 (15.9)	.418 (10.6)	.453 (11.5)	.812 (20.6)	.531 (13.5)	.438 (11.2)	
03	.188 (4.8)	1/2 -28	.688 (17.5)	.480 (12.2)	.515 (13.1)	.875 (22.2)	.594 (15.1)	.500 (12.7)	
04	.250 (6.4)	1/2 -28	.688 (17.5)	.480 (12.2)	.515 (13.1)	.875 (22.2)	.594 (15.1)	.500 (12.7)	
05	.313 (8.0)	5/8 -24	.813 (20.7)	.605 (15.4)	.640 (16.3)	1.000 (25.4)	.719 (18.3)	.625 (15.9)	
06	.375 (9.5)	5/8 -24	.813 (20.7)	.605 (15.4)	.640 (16.3)	1.000 (25.4)	.719 (18.3)	.625 (15.9)	
07	.438 (11.1)	3/4 -20	.938 (23.8)	.730 (18.5)	.765 (19.4)	1.094 (27.8)	.812 (20.6)	.750 (19.1)	
08	.500 (12.7)	3/4 -20	.938 (23.8)	.730 (18.5)	.765 (19.4)	1.094 (27.8)	.812 (20.6)	.750 (19.1)	
09	.563 (14.3)	7/8 -20	1.063 (27.0)	.855 (21.7)	.890 (22.6)	1.188 (30.2)	.906 (23.0)	.875 (22.2)	
10	.625 (15.9)	7/8 -20	1.063 (27.0)	.855 (21.7)	.890 (22.6)	1.188 (30.2)	.906 (23.0)	.875 (22.2)	
11	.688 (17.5)	1 -20	1.188 (30.2)	.980 (24.9)	1.015 (25.8)	1.281 (32.5)	.969 (24.6)	1.000 (25.4)	
12	.750 (19.1)	1 -20	1.188 (30.2)	.980 (24.9)	1.015 (25.8)	1.281 (32.5)	.969 (24.6)	1.000 (25.4)	
13	.813 (20.7)	1 1/8 -18	1.313 (33.4)	1.105 (28.1)	1.140 (29.0)	1.375 (34.9)	1.062 (27.0)	1.125 (28.6)	
14	.875 (22.2)	1 1/4 -18	1.438 (36.5)	1.230 (31.2)	1.265 (32.1)	1.500 (38.1)	1.156 (29.4)	1.250 (31.8)	
15	.938 (23.8)	1 1/4 -18	1.438 (36.5)	1.230 (31.2)	1.265 (32.1)	1.500 (38.1)	1.156 (29.4)	1.250 (31.8)	
16	1.000 (25.4)	1 3/8 -18	1.563 (39.7)	1.355 (34.4)	1.390 (35.3)	1.625 (41.3)	1.250 (31.8)	1.375 (34.9)	
17	1.063 (27.0)	1 3/8 -18	1.563 (39.7)	1.355 (34.4)	1.390 (35.3)	1.625 (41.3)	1.250 (31.8)	1.375 (34.9)	
18	1.125 (28.6)	1 1/2 -18	1.688 (42.9)	1.480 (37.6)	1.515 (38.5)	1.750 (44.5)	1.375 (34.9)	1.500 (38.1)	
19	1.188 (30.2)	1 1/2 -18	1.688 (42.9)	1.480 (37.6)	1.515 (38.5)	1.750 (44.5)	1.375 (34.9)	1.500 (38.1)	
20	1.250 (31.8)	1 5/8 -18	1.813 (46.1)	1.605 (40.8)	1.640 (41.7)	1.875 (47.6)	1.500 (38.1)	1.625 (41.3)	
22	1.375 (34.9)	1 3/4 -18	1.938 (49.2)	1.730 (43.9)	1.765 (44.8)	2.000 (50.8)	1.562 (39.7)	1.750 (44.5)	
24	1.500 (38.1)	2 -18	2.188 (55.6)	1.980 (50.3)	2.015 (51.2)	2.250 (57.2)	1.750 (44.5)	2.000 (50.8)	
26	1.625 (41.3)	2 -18	2.188 (55.6)	1.980 (50.3)	2.015 (51.2)	2.250 (57.2)	1.750 (44.5)	2.000 (50.8)	
28	1.750 (44.5)	2 1/4 -16	2.438 (61.9)	2.230 (56.6)	2.265 (57.5)	2.500 (63.5)	1.938 (49.2)	2.250 (57.2)	

**TABLE IV**

Dash Nos.	H Dia + .015 (+ .4) - .000 (- .0)
03-17	.125 (3.2)
18-20	.156 (4.0)
22-28	.188 (4.8)

**TABLE V: SHRINK BOOT**

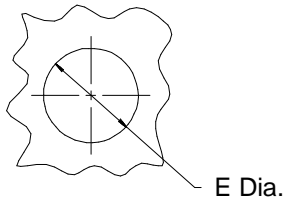
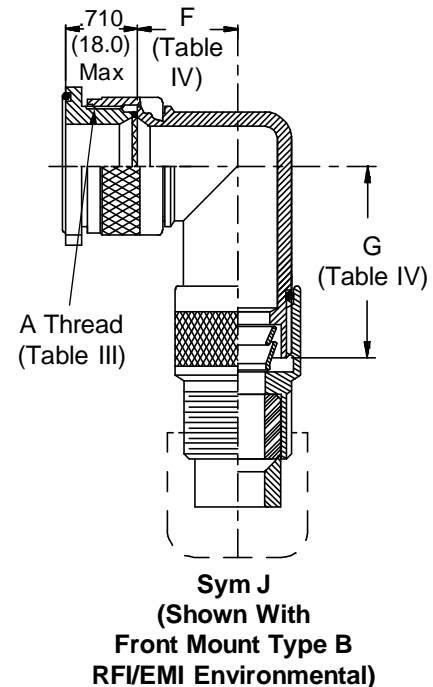
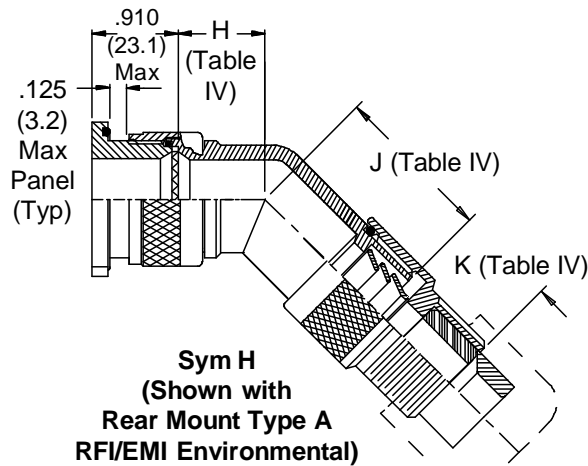
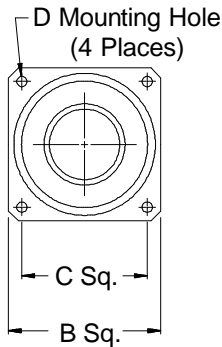
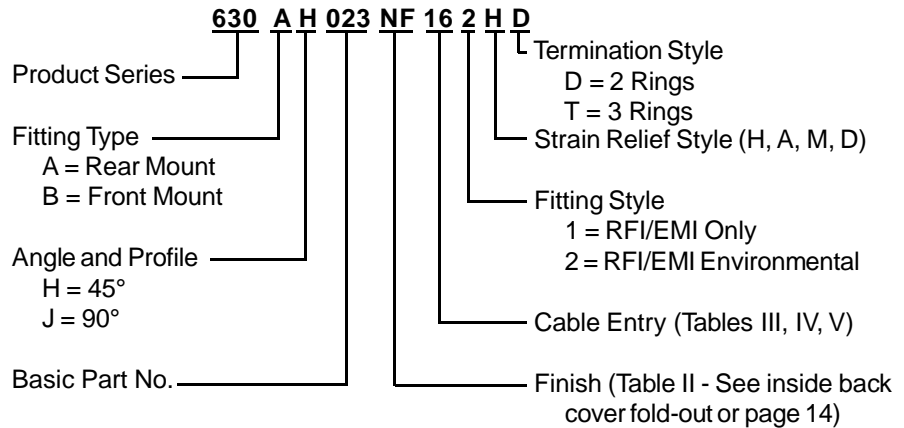
Dash Nos.	Shrink Boot (Note 2)
03-06	202K121-25-0
07-10	202K132-25-0
11-12	202K142-25-0
13-16	202K153-25-0
17-20	202K163-25-0
22-26	202K174-25-0
28	202K185-25-0

1. Metric dimensions (mm) are indicated in parentheses.
2. Raychem shrink boot (page 41) supplied with "T" option (see part number development). See pages 40 and 41 for shrink boot reference information.

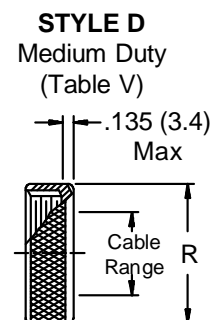
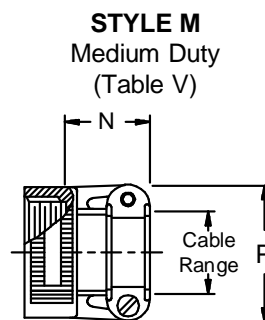
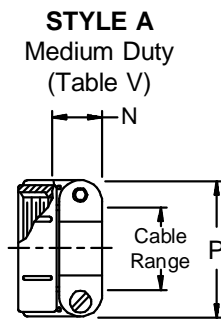
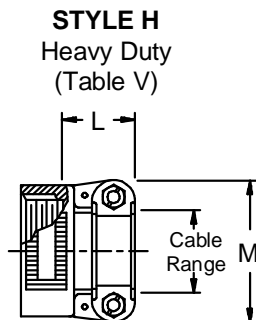


### Individual, Single and/or Dual Shield Termination

1. Metric dimensions (mm) are indicated in parentheses.
2. Cable range is defined as the accommodations range for the wire bundle or cable. Dimensions shown are not intended for inspection criteria.



Panel Cut-Out



**630-023**  
**EMI/RFI Environmental Bulkhead Feed-Through**  
 with Strain Relief  
 Front and Rear Panel Mount - 45° and 90°



**TABLE III: CABLE ENTRY**

Dash No.	Clamp Style	Clamp Size	Cable Range		A Thread Class A	B Max	C Dim.	D Dia		E Dia	
			Min	Max				+ .015 (+ .4)	+ .030 (+.8)	- .000 (- .0)	- .000 (-.0)
01	1	03	.157 (4.0)	.250 (6.4)	1/2 -28	.885 (22.5)	.593 (15.1)	.120 (3.0)	.250 (6.4)	.250 (6.4)	.250 (6.4)
02	2	03	.157 (4.0)	.250 (6.4)	1/2 -28	.885 (22.5)	.593 (15.1)	.120 (3.0)	.250 (6.4)	.250 (6.4)	.250 (6.4)
03	1	04	.187 (4.7)	.312 (7.9)	5/8 -24	1.104 (28.0)	.812 (20.6)	.120 (3.0)	.312 (7.9)	.312 (7.9)	.312 (7.9)
04	2	04	.187 (4.7)	.312 (7.9)	5/8 -24	1.104 (28.0)	.812 (20.6)	.120 (3.0)	.312 (7.9)	.312 (7.9)	.312 (7.9)
05	1	06	.281 (7.1)	.437 (11.1)	3/4 -20	1.197 (30.4)	.906 (23.0)	.120 (3.0)	.437 (11.1)	.437 (11.1)	.437 (11.1)
06	2	06	.281 (7.1)	.437 (11.1)	3/4 -20	1.197 (30.4)	.906 (23.0)	.120 (3.0)	.437 (11.1)	.437 (11.1)	.437 (11.1)
07	1	08	.344 (8.7)	.562 (14.3)	7/8 -20	1.291 (32.8)	.968 (24.6)	.120 (3.0)	.562 (14.3)	.562 (14.3)	.562 (14.3)
08	2	08	.387 (9.8)	.562 (14.3)	7/8 -20	1.291 (32.8)	.968 (24.6)	.120 (3.0)	.562 (14.3)	.562 (14.3)	.562 (14.3)
09	1	10	.375 (9.5)	.625 (15.9)	1 -20	1.385 (35.2)	1.062 (27.0)	.120 (3.0)	.625 (15.9)	.625 (15.9)	.625 (15.9)
10	2	10	.512 (13.0)	.625 (15.9)	1 -20	1.385 (35.2)	1.062 (27.0)	.120 (3.0)	.625 (15.9)	.625 (15.9)	.625 (15.9)
11	1	12	.438 (11.1)	.750 (19.1)	1 3/16 -18	1.635 (41.5)	1.250 (31.8)	.120 (3.0)	.750 (19.1)	.750 (19.1)	.750 (19.1)
12	2	12	.575 (14.6)	.750 (19.1)	1 3/16 -18	1.635 (41.5)	1.250 (31.8)	.120 (3.0)	.750 (19.1)	.750 (19.1)	.750 (19.1)
13	1	16	.625 (15.9)	.937 (23.8)	1 7/16 -18	1.760 (44.7)	1.375 (34.9)	.147 (3.7)	.937 (23.8)	.937 (23.8)	.937 (23.8)
14	2	16	.625 (15.9)	.937 (23.8)	1 7/16 -18	1.760 (44.7)	1.375 (34.9)	.147 (3.7)	.937 (23.8)	.937 (23.8)	.937 (23.8)
15	1	20	.875 (22.2)	1.250 (31.8)	1 3/4 -18	2.010 (51.1)	1.562 (39.7)	.147 (3.7)	1.250 (31.8)	1.250 (31.8)	1.250 (31.8)
16	2	20	.875 (22.2)	1.250 (31.8)	1 3/4 -18	2.010 (51.1)	1.562 (39.7)	.147 (3.7)	1.250 (31.8)	1.250 (31.8)	1.250 (31.8)
17	1	24	1.000 (25.4)	1.375 (34.9)	2 -18	2.260 (57.4)	1.750 (44.5)	.173 (4.4)	1.375 (34.9)	1.375 (34.9)	1.375 (34.9)
18	2	24	1.000 (25.4)	1.375 (34.9)	2 -18	2.260 (57.4)	1.750 (44.5)	.173 (4.4)	1.375 (34.9)	1.375 (34.9)	1.375 (34.9)
19	1	28	1.250 (31.8)	1.625 (41.3)	2 1/4 -16	2.510 (63.8)	1.938 (49.2)	.173 (4.4)	1.625 (41.3)	1.625 (41.3)	1.625 (41.3)
20	2	28	1.250 (31.8)	1.625 (41.3)	2 1/4 -16	2.510 (63.8)	1.938 (49.2)	.173 (4.4)	1.625 (41.3)	1.625 (41.3)	1.625 (41.3)
21	1	32	1.437 (36.5)	1.875 (47.6)	2 1/2 -16	2.781 (70.6)	2.188 (55.6)	.173 (4.4)	1.875 (47.6)	1.875 (47.6)	1.875 (47.6)
22	2	32	1.437 (36.5)	1.875 (47.6)	2 1/2 -16	2.781 (70.6)	2.188 (55.6)	.173 (4.4)	1.875 (47.6)	1.875 (47.6)	1.875 (47.6)
23	1	40	1.875 (47.6)	2.375 (60.3)	3 -16	3.281 (83.3)	2.625 (66.7)	.173 (4.4)	2.375 (60.3)	2.375 (60.3)	2.375 (60.3)
24	2	40	1.875 (47.6)	2.375 (60.3)	3 -16	3.281 (83.3)	2.625 (66.7)	.173 (4.4)	2.375 (60.3)	2.375 (60.3)	2.375 (60.3)

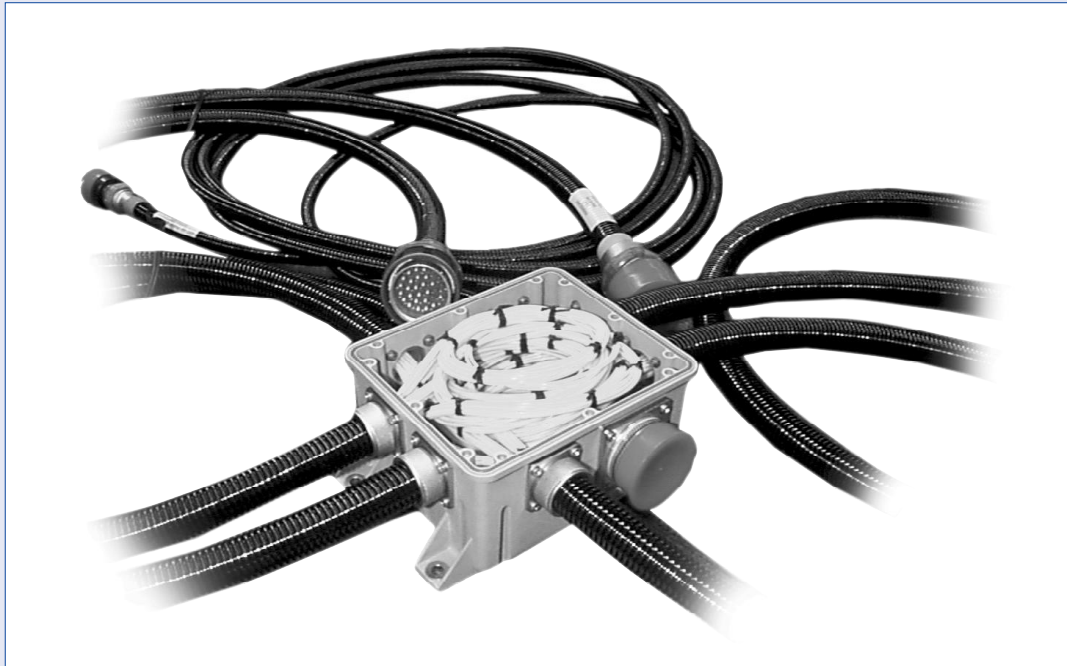
**TABLE IV: CABLE ENTRY**

Dash No.	Clamp Size	F Max	G Max	H Max	J Max	K Max
01/02	03	.750 (19.1)	1.000 (25.4)	.639 (16.2)	.890 (22.6)	.670 (17.0)
03/04	04	.810 (20.6)	1.060 (26.9)	.664 (16.9)	.920 (23.4)	.670 (17.0)
05/06	06	.870 (22.1)	1.125 (28.6)	.688 (17.5)	.940 (23.9)	.670 (17.0)
07/08	08	.920 (23.4)	1.190 (30.2)	.705 (17.9)	.970 (24.6)	.670 (17.0)
09/10	10	.980 (24.9)	1.250 (31.8)	.732 (18.6)	.990 (25.1)	.670 (17.0)
11/12	12	1.080 (27.4)	1.330 (33.8)	.773 (19.6)	1.020 (25.9)	.670 (17.0)
13/14	16	1.200 (30.5)	1.480 (37.6)	.823 (20.9)	1.090 (27.7)	.670 (17.0)
15/16	20	1.480 (37.6)	1.781 (45.2)	1.041 (26.4)	1.322 (33.6)	.700 (17.8)
17/18	24	1.610 (40.9)	1.938 (49.2)	1.092 (27.7)	1.425 (36.2)	.700 (17.8)
19/20	28	1.720 (43.7)	2.045 (51.9)	1.138 (28.9)	1.475 (37.5)	.700 (17.8)
21/22	32	1.830 (46.5)	2.218 (56.3)	1.184 (30.1)	1.578 (40.1)	.820 (20.8)
23/24	40	2.080 (52.8)	2.594 (65.9)	1.287 (32.7)	1.802 (45.8)	.820 (20.8)

**TABLE V: CABLE ENTRY**

Dash No.	Clamp Size	L Max	M Max	N Max	P Max	R Max
01/02	03	---	---	.760 (19.3)	.843 (21.4)	.630 (16.0)
03/04	04	.780 (19.8)	.957 (24.3)	.760 (19.3)	.906 (23.0)	.755 (19.2)
05/06	06	.780 (19.8)	1.145 (29.1)	.760 (19.3)	1.093 (27.8)	.942 (23.9)
07/08	08	.780 (19.8)	1.332 (33.8)	.760 (19.3)	1.187 (30.1)	1.067 (27.1)
09/10	10	.780 (19.8)	1.332 (33.8)	.760 (19.3)	1.281 (32.5)	1.192 (30.3)
11/12	12	.811 (20.6)	1.551 (39.4)	.760 (19.3)	1.500 (38.1)	1.380 (35.1)
13/14	16	.905 (23.0)	1.770 (45.0)	1.073 (27.3)	1.719 (43.7)	1.535 (39.0)
15/16	20	1.092 (27.7)	2.113 (53.7)	1.323 (33.6)	2.062 (52.4)	1.848 (46.9)
17/18	24	1.124 (28.5)	2.363 (60.0)	1.323 (33.6)	2.312 (58.7)	2.255 (57.3)
19/20	28	1.399 (35.5)	2.770 (70.4)	1.572 (39.9)	2.719 (69.1)	2.505 (63.6)
21/22	32	1.399 (35.5)	3.020 (76.7)	1.572 (39.9)	2.969 (75.4)	2.755 (70.0)
23/24	40	---	---	1.572 (39.9)	3.531 (89.7)	3.255 (82.7)

# Every Picture Tells a Story



## This One Speaks Volumes

**G**lenair is in the business of solving even the most complex interconnect design problems. That's why we've built our conduit product line to take advantage of our forty years of experience in harness assembly and interconnect packaging.

We know that your problem isn't solved when the connector and wire are selected. The real work starts with the packaging of the key components for actual use. Glenair is ready with wire protection solutions that

include plastic convoluted tubing, metal-core conduit, jacketing and metal or fabric overbraiding. We also produce a line of robust composite junction boxes, which add new design options to traditional conduit wire protection assemblies.

At Glenair, we're ready to go with both the individual technologies, as well as the most innovative and effective packaging solutions available today. Now *that's* a story worth telling.



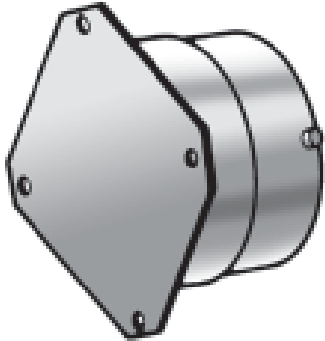
1211 Air Way

Glendale, California 91201-2497

Telephone: 818-247-6000 · Facsimile: 818-500-9912 · EMail: sales@glenair.com

United States · United Kingdom · Germany · Nordic · France · Spain · Italy

[www.glenair.com](http://www.glenair.com)



## PRODUCT FEATURES

- Bulkhead, Panel or Box Mountable
- Compatible Interface Specifications for all MS Connector Series
- Same-Day Availability
- Complete range of Material Finishes

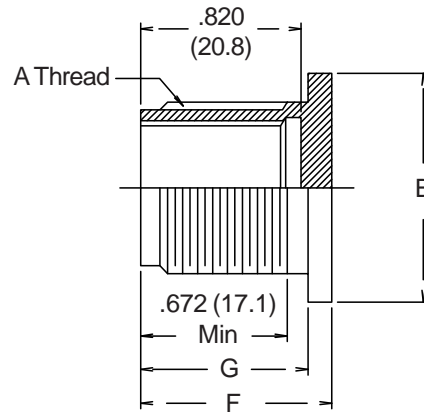
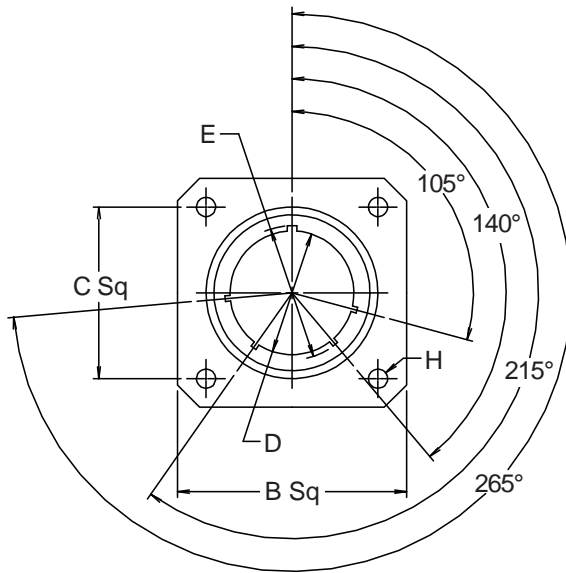
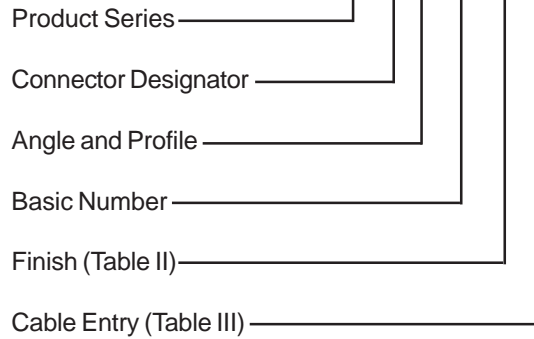
Reliable electrical and mechanical protection for de-coupled connectors and cable assemblies

***Threaded, bayonet and breach-lock receptacles for all popular military standard type connectors***

A choice of dummy stowage receptacles is offered for most circular bayonet coupled and thread coupled connectors. These products provide reliable protection for all types of de-coupled connectors, from threaded MIL-C-28840 versions to bayonet coupled MIL-DTL-38999 Series II.

**MIL-C-22992**

**650 C S 002 M 24**



**650CS002**  
**Dummy Stowage Receptacle**  
**MIL-C-22992**



**TABLE III: DIMENSIONS**

Shell Size	J Thread Class 2A	B ± .020 (0.5)	C SQ	D + .005 (0.1) - .010 (0.3)	E + .010 (0.3) - .006 (0.2)	F + .021 (0.5) - .010 (0.3)	G + .010 (0.3) - .000 (0)	H ± .005 (0.1)
12	.8750-0.1P-0.2L-DS	1.188 (30.2)	.906 (23.0)	.567 (14.4)	.647 (16.4)	.938 (23.8)	.797 (20.2)	.150 (3.8)
14	1.0000-0.1P-0.2L-DS	1.281 (32.3)	.969 (24.6)	.692 (17.6)	.772 (19.6)	.938 (23.8)	.797 (20.2)	.150 (3.8)
16	1.1250-0.1P-0.2L-DS	1.375 (34.9)	1.062 (27.0)	.817 (20.8)	.897 (22.8)	.938 (23.8)	.797 (20.2)	.150 (3.8)
18	1.2500-0.1P-0.2L-DS	1.500 (38.1)	1.156 (29.4)	.942 (23.9)	1.022 (26.0)	.953 (24.2)	.797 (20.2)	.177 (4.5)
20	1.3750-0.1P-0.2L-DS	1.625 (41.3)	1.250 (31.8)	1.068 (27.1)	1.148 (29.2)	.953 (24.2)	.797 (20.2)	.177 (4.5)
22	1.5000-0.1P-0.2L-DS	1.750 (44.5)	1.375 (34.9)	1.192 (30.3)	1.272 (32.3)	.953 (24.2)	.797 (20.2)	.177 (4.5)
24	1.7500-0.1P-0.2L-DS	2.000 (50.8)	1.562 (39.7)	1.317 (33.5)	1.473 (37.4)	1.047 (26.6)	.859 (21.8)	.177 (4.5)
28	2.0000-0.1P-0.2L-DS	2.250 (57.2)	1.750 (44.5)	1.536 (39.0)	1.692 (43.0)	1.047 (26.6)	.859 (21.8)	.177 (4.5)
32	2.2500-0.1P-0.2L-DS	2.500 (63.5)	1.938 (49.2)	1.786 (45.4)	1.942 (49.3)	1.110 (28.2)	.922 (23.4)	.209 (5.3)
36	2.5000-0.1P-0.2L-DS	2.750 (69.9)	2.188 (55.6)	2.005 (50.9)	2.161 (54.9)	1.110 (28.2)	.922 (23.4)	.209 (5.3)
40	2.7500-0.1P-0.2L-DS	3.000 (76.2)	2.375 (60.3)	2.255 (57.3)	2.411 (61.2)	1.110 (28.2)	.922 (23.4)	.209 (5.3)

1. For complete dimensions see Mil-C-22992.
2. Metric dimensions (mm) are indicated in parentheses.



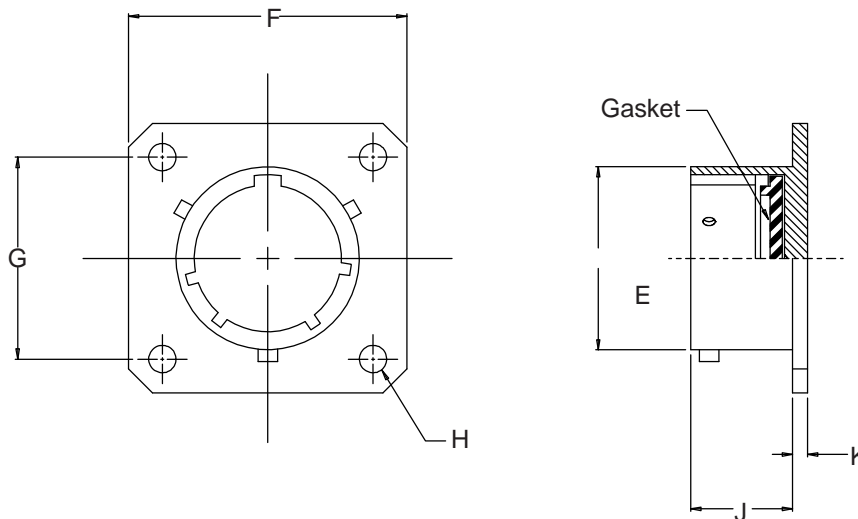
**MIL-C-26482**
**MIL-C-83723**  
**Series I Bayonet**

650DS001 B 16

Basic Part No. \_\_\_\_\_

Finish (Table IV) \_\_\_\_\_

Shell Size \_\_\_\_\_


**TABLE III: DIMENSIONS**

Shell Size	E Dia	F Max	G	H Dia ±.010 (0.3)	J	K
08	.471 (12.0)	.828 (21.0)	.594 (15.1)	.120 (3.0)	.478 (12.1)	.062 (1.6)
10	.588 (14.9)	.954 (24.2)	.719 (18.3)	.120 (3.0)	.478 (12.1)	.062 (1.6)
12	.748 (19.0)	1.047 (26.6)	.812 (20.6)	.120 (3.0)	.478 (12.1)	.062 (1.6)
14	.873 (22.2)	1.141 (29.0)	.906 (23.0)	.120 (3.0)	.478 (12.1)	.062 (1.6)
16	.998 (25.3)	1.234 (31.3)	.969 (24.6)	.120 (3.0)	.478 (12.1)	.062 (1.6)
18	1.123 (28.5)	1.328 (33.7)	1.062 (27.0)	.120 (3.0)	.478 (12.1)	.062 (1.6)
20	1.248 (31.7)	1.453 (36.9)	1.156 (29.4)	.120 (3.0)	.572 (14.5)	.094 (2.4)
22	1.373 (34.9)	1.578 (40.1)	1.250 (31.8)	.120 (3.0)	.572 (14.5)	.094 (2.4)
24	1.498 (38.0)	1.703 (43.3)	1.375 (34.9)	.147 (3.7)	.605 (15.4)	.094 (2.4)

**TABLE IV: STANDARD FINISHES**

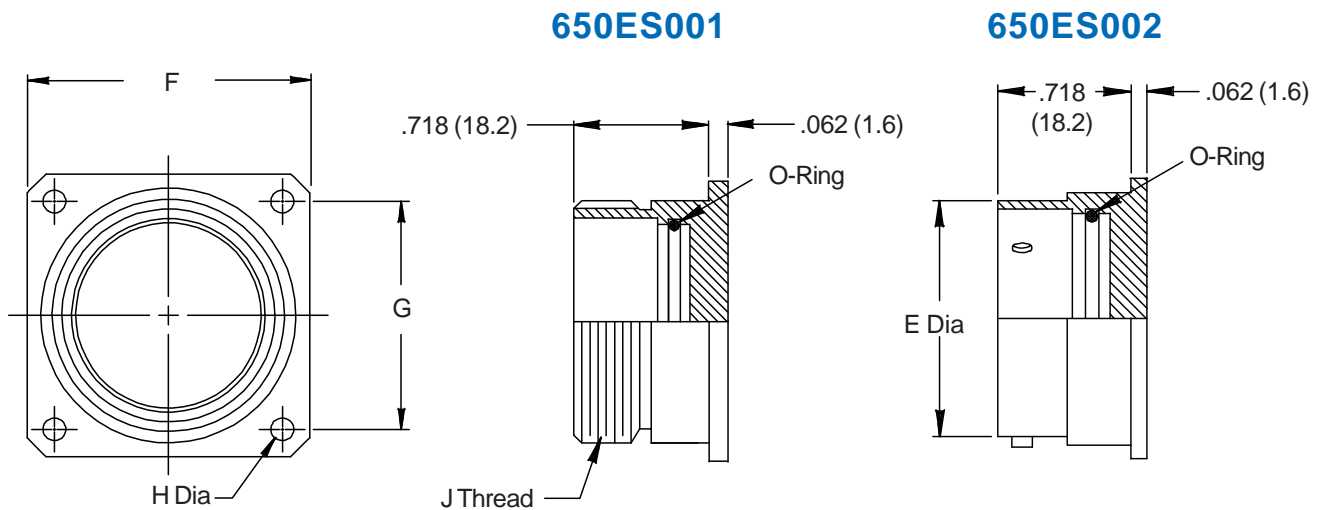
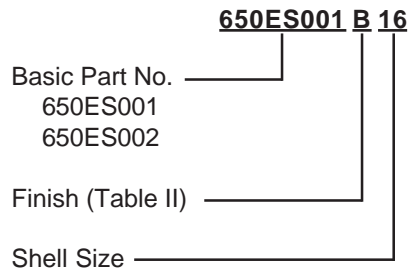
Finish Symbol	Finish
B	Cadmium Olive Drab
C	Anodize, Black
M	Electroless nickel
NF	500 hr Cadmium Olive Drab

1. For complete dimensions see Military Standard MS3115.
2. Metric dimensions (mm) are indicated in parentheses.

**650ES001**  
**Dummy Storage Receptacle - Threaded and Bayonet**  
**MIL-C-26500 and MIL-C-83723 Series III**



**MIL-C-26500**  
**MIL-C-83723**  
**Series III Threaded**  
**and Bayonet**

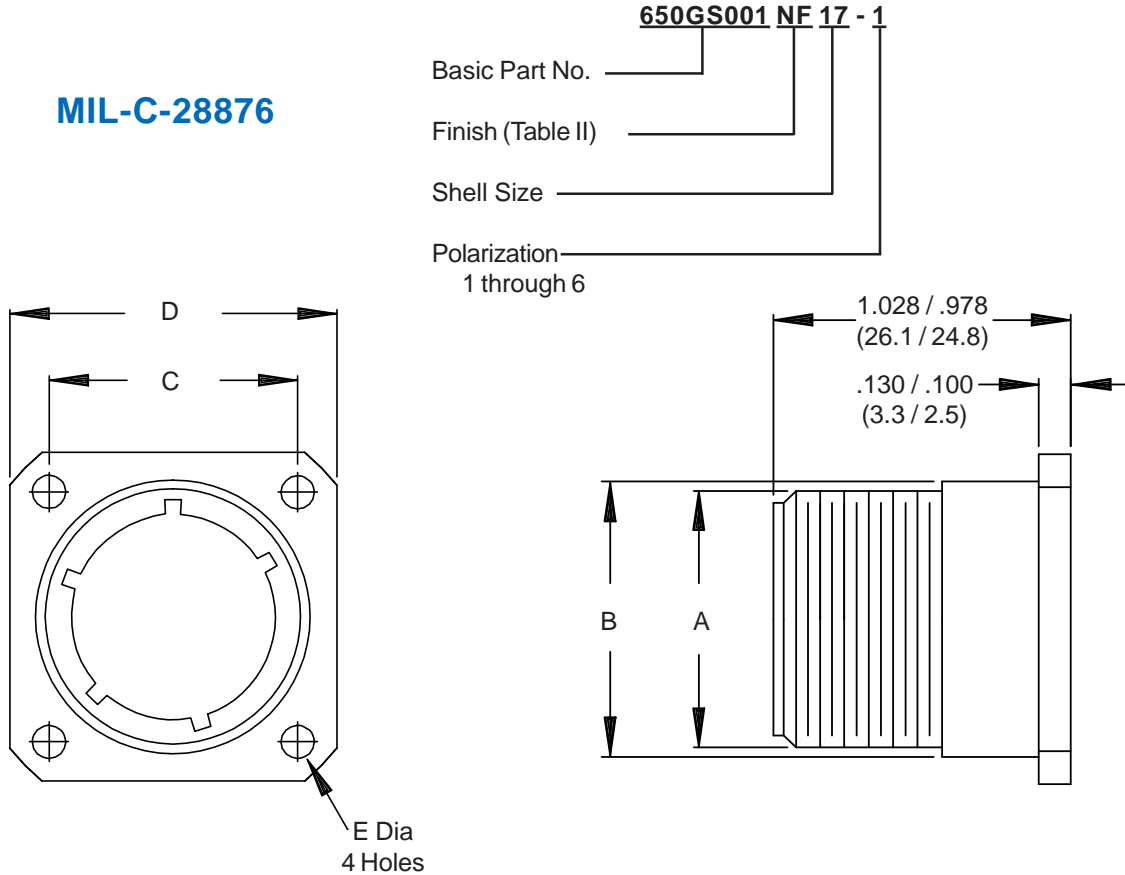


See inside back cover fold-out or page 14 for Table II.

TABLE III: DIMENSIONS							
Shell Size	Shell Size Mil. Ref. *	E Dia	F	G	H Dia	J Thread	
08	7	.536 (13.6)	.812 (20.6)	.594 (15.1)	.125 (3.2)	9/16 - 24 UNEF	
10	1	.659 (16.7)	.937 (23.8)	.719 (18.3)	.125 (3.2)	11/16 - 24 UNEF	
12	2	.829 (21.1)	1.031 (26.2)	.812 (20.6)	.125 (3.2)	7/8 - 20 UNEF	
14	3	.898 (22.8)	1.125 (28.6)	.906 (23.0)	.125 (3.2)	15/16 - 20 UNEF	
16	4	1.025 (26.0)	1.250 (31.8)	.969 (24.6)	.125 (3.2)	1 1/16 - 18 UNEF	
18	5	1.131 (28.7)	1.343 (34.1)	1.062 (27.0)	.125 (3.2)	1 3/16 - 18 UNEF	
20	8	1.256 (31.9)	1.437 (36.5)	1.156 (29.4)	.125 (3.2)	1 5/16 - 18 UNEF	
22	6	1.381 (35.1)	1.562 (39.7)	1.250 (31.8)	.125 (3.2)	1 7/16 - 18 UNEF	
24	9	1.506 (38.3)	1.703 (43.3)	1.375 (34.9)	.154 (3.9)	1 9/16 - 18 UNEF	

\* MS27296 and MS27297

Metric dimensions (mm) are indicated in parentheses.

**MIL-C-28876**


See inside back cover fold-out or page 14 for Table II.

**TABLE III: DIMENSIONS**

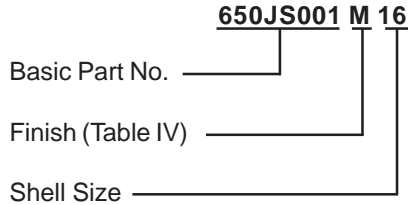
Shell Size	Shell Size Mil. Ref.	A Dia Max	B Ref. Mtg Hole	C	D Max	E Max
11	A	.750 (19.1)	.812 (20.6)	.750 (19.1)	1.043 (26.5)	.130 (3.3)
13	B	.875 (22.2)	.937 (23.8)	.843 (21.4)	1.158 (29.4)	.130 (3.3)
15	C	1.062 (27.0)	1.124 (28.5)	.968 (24.6)	1.278 (32.5)	.130 (3.3)
17	D	1.125 (28.6)	1.187 (30.1)	1.015 (25.8)	1.403 (35.6)	.130 (3.3)
19	E	1.312 (33.3)	1.375 (34.9)	1.140 (29.0)	1.528 (38.8)	.130 (3.3)
23	F	1.500 (38.1)	1.562 (39.7)	1.281 (32.5)	1.738 (44.1)	.130 (3.3)
25	G	1.625 (41.3)	1.687 (42.8)	1.392 (35.4)	1.838 (46.7)	.157 (4.0)
29	H	1.812 (46.0)	1.874 (47.6)	1.568 (39.8)	2.158 (54.8)	.157 (4.0)
33	J	2.000 (50.8)	2.062 (52.4)	1.734 (44.0)	2.348 (59.6)	.183 (4.6)

Metric dimensions (mm) are indicated in parentheses.

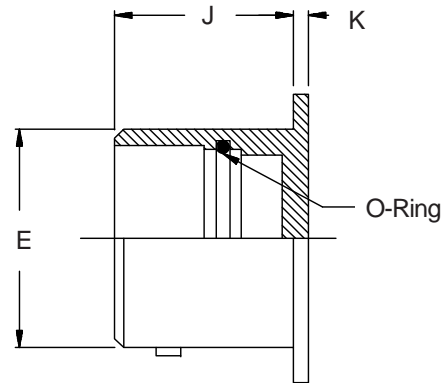
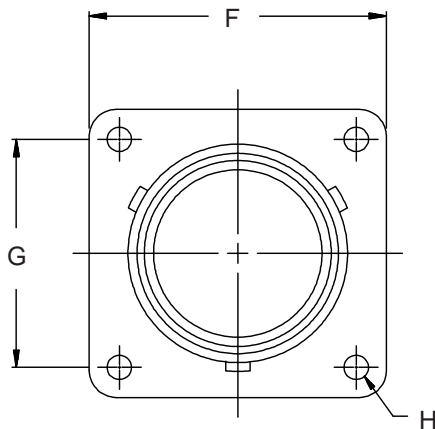
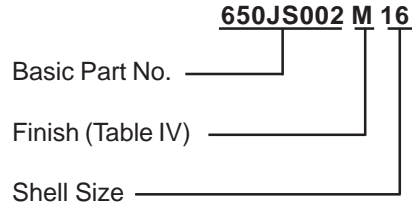
**650JS001 - 650JS002**  
**Dummy Storage Receptacles - Bayonet**  
**MIL-C-81511 Series I, II, III and IV**



**MIL-C-81511 Series I & III**



**MIL-C-81511 Series II & IV**



**TABLE III: DIMENSIONS**

Shell Size	E Dia	F Max	G	H Max	J	K
08	.553 (14.0)	.820 (20.8)	.599 (15.2)	.126 (3.2)	.645 (16.4)	.070 (1.8)
10	.678 (17.2)	.945 (24.0)	.724 (18.4)	.126 (3.2)	.645 (16.4)	.070 (1.8)
14	.928 (23.6)	1.133 (28.8)	.911 (23.1)	.126 (3.2)	.645 (16.4)	.070 (1.8)
16	1.054 (26.8)	1.258 (32.0)	.974 (24.7)	.126 (3.2)	.645 (16.4)	.070 (1.8)
18	1.178 (29.9)	1.351 (34.3)	1.067 (27.1)	.126 (3.2)	.645 (16.4)	.070 (1.8)
20	1.303 (33.1)	1.475 (37.5)	1.161 (29.5)	.126 (3.2)	.645 (16.4)	.070 (1.8)
22	1.428 (36.3)	1.570 (39.9)	1.255 (31.9)	.126 (3.2)	.645 (16.4)	.070 (1.8)
24	1.553 (39.4)	1.711 (43.5)	1.380 (35.1)	.153 (3.9)	.645 (16.4)	.070 (1.8)

**TABLE IV: STANDARD FINISHES**

Glenair Symbol	Military Ref.	Finish
N	1	Cadmium Olive Drab over Nickel
M	2	Electroless nickel

1. For complete dimensions see Military Standard MIL-C-81511/19 and /30.
2. Metric dimensions (mm) are indicated in parentheses.

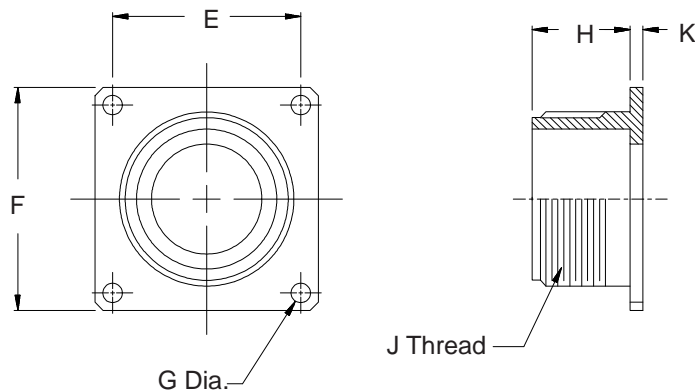
**MIL-C-5015**

**650BS001 B 20**

Basic Part No. \_\_\_\_\_

Finish (Table II) \_\_\_\_\_

Shell Size \_\_\_\_\_



See inside back cover fold-out or page 14 for Table II.

**TABLE III: DIMENSIONS**

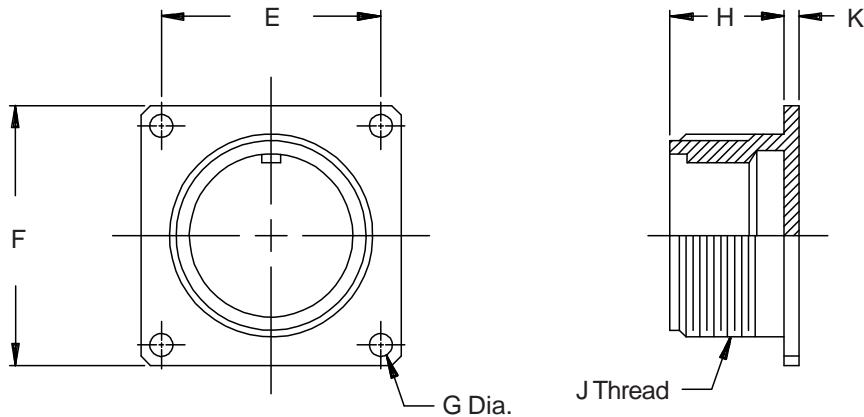
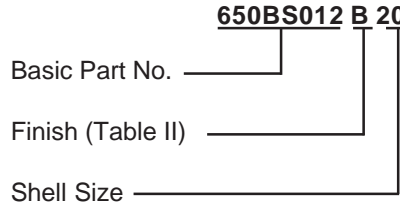
Shell Size	J Thread Class 2A	E	F Max	G	H Max	K Max
08S	1/2 -28 UNEF	.594 (15.1)	.906 (23.0)	.120 (3.0)	.593 (15.1)	.156 (4.0)
10S	5/8 -24 UNEF	.719 (18.3)	1.031 (26.2)	.120 (3.0)	.593 (15.1)	.156 (4.0)
12S	3/4 -20 UNEF	.812 (20.6)	1.125 (28.6)	.120 (3.0)	.593 (15.1)	.156 (4.0)
12	3/4 -20 UNEF	.812 (20.6)	1.125 (28.6)	.120 (3.0)	.781 (19.8)	.156 (4.0)
14S	7/8 -20 UNEF	.906 (23.0)	1.219 (31.0)	.120 (3.0)	.593 (15.1)	.156 (4.0)
14	7/8 -20 UNEF	.906 (23.0)	1.219 (31.0)	.120 (3.0)	.781 (19.8)	.156 (4.0)
16S	1 -20 UNEF	.969 (24.6)	1.312 (33.3)	.120 (3.0)	.593 (15.1)	.156 (4.0)
16	1 -20 UNEF	.969 (24.6)	1.312 (33.3)	.120 (3.0)	.781 (19.8)	.156 (4.0)
18	1 1/8 -18 UNEF	1.062 (27.0)	1.406 (35.7)	.120 (3.0)	.781 (19.8)	.203 (5.2)
20	1 1/4 -18 UNEF	1.156 (29.4)	1.531 (38.9)	.120 (3.0)	.781 (19.8)	.203 (5.2)
22	1 3/8 -18 UNEF	1.250 (31.8)	1.656 (42.1)	.120 (3.0)	.781 (19.8)	.203 (5.2)
24	1 1/2 -18 UNEF	1.375 (34.9)	1.781 (45.2)	.147 (3.7)	.843 (21.4)	.203 (5.2)
28	1 3/4 -18 UNS	1.562 (39.7)	2.031 (51.6)	.147 (3.7)	.843 (21.4)	.203 (5.2)
32	2 -18 UNS	1.750 (44.5)	2.281 (57.9)	.173 (4.4)	.906 (23.0)	.359 (9.1)
36	2 1/4 -16 UN	1.938 (49.2)	2.531 (64.3)	.173 (4.4)	.906 (23.0)	.359 (9.1)
40	2 1/2 -16 UN	2.188 (55.6)	2.781 (70.6)	.173 (4.4)	.906 (23.0)	.359 (9.1)
44	2 3/4 -16 UN	2.375 (60.3)	3.031 (77.0)	.173 (4.4)	.906 (23.0)	.359 (9.1)
48	3 -16 UN	2.625 (66.7)	3.281 (83.3)	.173 (4.4)	.906 (23.0)	.359 (9.1)

1. For complete dimensions see Mil-C-5015.
2. Metric dimensions (mm) are indicated in parentheses.

**650BS012**  
**Dummy Stowage Receptacles - Threaded**  
**with Solid Back Flange**  
**MIL-C-5015**



**MIL-C-5015**



See inside back cover fold-out or page 14 for Table II.

**TABLE III: DIMENSIONS**

Shell Size	J Thread Class 2A	E	F Max	G	H Max	K Max
08S	1/2 -28 UNEF	.594 (15.1)	.906 (23.0)	.120 (3.0)	.593 (15.1)	.156 (4.0)
10S	5/8 -24 UNEF	.719 (18.3)	1.031 (26.2)	.120 (3.0)	.593 (15.1)	.156 (4.0)
12S	3/4 -20 UNEF	.812 (20.6)	1.125 (28.6)	.120 (3.0)	.593 (15.1)	.156 (4.0)
12	3/4 -20 UNEF	.812 (20.6)	1.125 (28.6)	.120 (3.0)	.781 (19.8)	.156 (4.0)
14S	7/8 -20 UNEF	.906 (23.0)	1.219 (31.0)	.120 (3.0)	.593 (15.1)	.156 (4.0)
14	7/8 -20 UNEF	.906 (23.0)	1.219 (31.0)	.120 (3.0)	.781 (19.8)	.156 (4.0)
16S	1 -20 UNEF	.969 (24.6)	1.312 (33.3)	.120 (3.0)	.593 (15.1)	.156 (4.0)
16	1 -20 UNEF	.969 (24.6)	1.312 (33.3)	.120 (3.0)	.781 (19.8)	.156 (4.0)
18	1 1/8 -18 UNEF	1.062 (27.0)	1.406 (35.7)	.120 (3.0)	.781 (19.8)	.203 (5.2)
20	1 1/4 -18 UNEF	1.156 (29.4)	1.531 (38.9)	.120 (3.0)	.781 (19.8)	.203 (5.2)
22	1 3/8 -18 UNEF	1.250 (31.8)	1.656 (42.1)	.120 (3.0)	.781 (19.8)	.203 (5.2)
24	1 1/2 -18 UNEF	1.375 (34.9)	1.781 (45.2)	.147 (3.7)	.843 (21.4)	.203 (5.2)
28	1 3/4 -18 UNS	1.562 (39.7)	2.031 (51.6)	.147 (3.7)	.843 (21.4)	.203 (5.2)
32	2 -18 UNS	1.750 (44.5)	2.281 (57.9)	.173 (4.4)	.906 (23.0)	.359 (9.1)
36	2 1/4 -16 UN	1.938 (49.2)	2.531 (64.3)	.173 (4.4)	.906 (23.0)	.359 (9.1)
40	2 1/2 -16 UN	2.188 (55.6)	2.781 (70.6)	.173 (4.4)	.906 (23.0)	.359 (9.1)
44	2 3/4 -16 UN	2.375 (60.3)	3.031 (77.0)	.173 (4.4)	.906 (23.0)	.359 (9.1)
48	3 -16 UN	2.625 (66.7)	3.281 (83.3)	.173 (4.4)	.906 (23.0)	.359 (9.1)

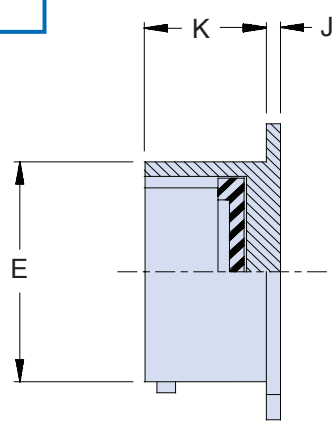
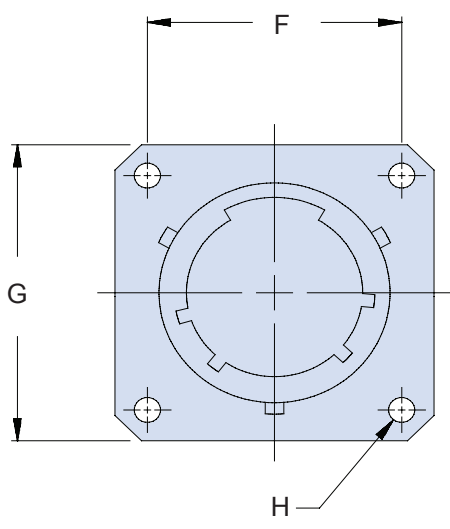
1. For complete dimensions see Mil-C-5015.
2. Metric dimensions (mm) are indicated in parentheses.





# 650FS001 Dummy Storage Receptacle for MIL-DTL-38999 Series I Connector

Basic Number	Shell Size
<b>650FS001</b>	<b>M 17</b>
Finish (Table II)	



- APPLICATION NOTES**
1. See applicable Military Specification for complete dimensions.
  2. Metric dimensions (mm) are indicated in parentheses.

TABLE II: FINISHES	
Symbol	Finish
<b>B</b>	Cadmium Plate, Olive Drab
<b>C</b>	Anodize, Black
<b>GB</b>	Black Anodize, Hard Coat
<b>M</b>	Electroless Nickel
<b>N</b>	Cad Plate, Olive Drab over Electroless Nickel
<b>NF</b>	Cadmium Plate, Olive Drab over Electroless Nickel
<b>MT</b>	Ni-PTFE 1000 Hour Grey™ Nickel Fluorocarbon Polymer
<b>ZN</b>	Zinc-Nickel

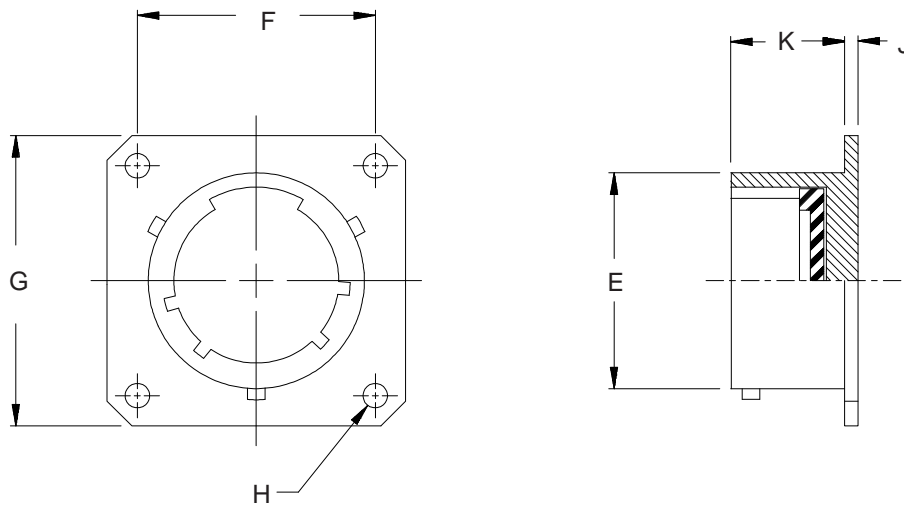
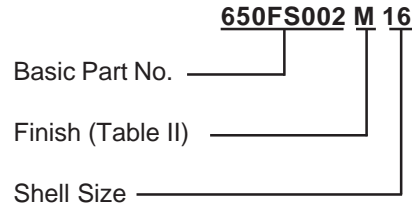
TABLE I: DIMENSIONS						
Shell Size	E Max	F Dim	G ±.020 (0.5)	H Nom	J +.015 (0.4) - .000	K ±.010 (0.3)
9	.572 (14.5)	.719 (18.3)	.938 (23.8)	.128 (3.3)	.085 (2.2)	.727 (18.5)
11	.701 (17.8)	.812 (20.6)	1.031 (26.2)	.128 (3.3)	.085 (2.2)	.727 (18.5)
13	.851 (21.6)	.906 (23.0)	1.125 (28.6)	.128 (3.3)	.085 (2.2)	.727 (18.5)
15	.976 (24.8)	.969 (24.6)	1.219 (31.0)	.128 (3.3)	.085 (2.2)	.727 (18.5)
17	1.101 (28.0)	1.062 (27.0)	1.312 (33.3)	.128 (3.3)	.085 (2.2)	.727 (18.5)
19	1.208 (30.7)	1.156 (29.4)	1.438 (36.5)	.128 (3.3)	.085 (2.2)	.727 (18.5)
21	1.333 (33.9)	1.250 (31.8)	1.562 (39.7)	.128 (3.3)	.115 (2.9)	.697 (17.7)
23	1.458 (37.0)	1.375 (34.9)	1.688 (42.9)	.147 (3.7)	.115 (2.9)	.697 (17.7)
25	1.583 (40.2)	1.500 (38.1)	1.812 (46.0)	.147 (3.7)	.115 (2.9)	.697 (17.7)

H

**650FS002**  
**Dummy Stowage Receptacles - Bayonet**  
**MIL-C-38999 Series II**



**MIL-C-38999**  
**Series II**



See inside back cover fold-out or page 14 for Table II.

**TABLE III: DIMENSIONS**

Shell Size	E Max	F	G Max	H Nom	J	K
08	.474 (12.0)	.594 (15.1)	.823 (20.9)	.120 (3.0)	.063 (1.6)	.449 (11.4)
10	.591 (15.0)	.719 (18.3)	.949 (24.1)	.120 (3.0)	.063 (1.6)	.449 (11.4)
12	.751 (19.1)	.812 (20.6)	1.042 (26.5)	.120 (3.0)	.063 (1.6)	.449 (11.4)
14	.876 (22.3)	.906 (23.0)	1.136 (28.9)	.120 (3.0)	.063 (1.6)	.449 (11.4)
16	1.001 (25.4)	.969 (24.6)	1.230 (31.2)	.120 (3.0)	.063 (1.6)	.449 (11.4)
18	1.126 (28.6)	1.062 (27.0)	1.323 (33.6)	.120 (3.0)	.063 (1.6)	.449 (11.4)
20	1.251 (31.8)	1.156 (29.4)	1.449 (36.8)	.120 (3.0)	.063 (1.6)	.449 (11.4)
22	1.376 (35.0)	1.250 (31.8)	1.573 (40.0)	.120 (3.0)	.063 (1.6)	.449 (11.4)
24	1.501 (38.1)	1.375 (34.9)	1.699 (43.2)	.147 (3.7)	.063 (1.6)	.449 (11.4)

1. For complete dimensions see Military Standard MIL-C-38999 Series II.
2. Metric dimensions (mm) are indicated in parentheses.

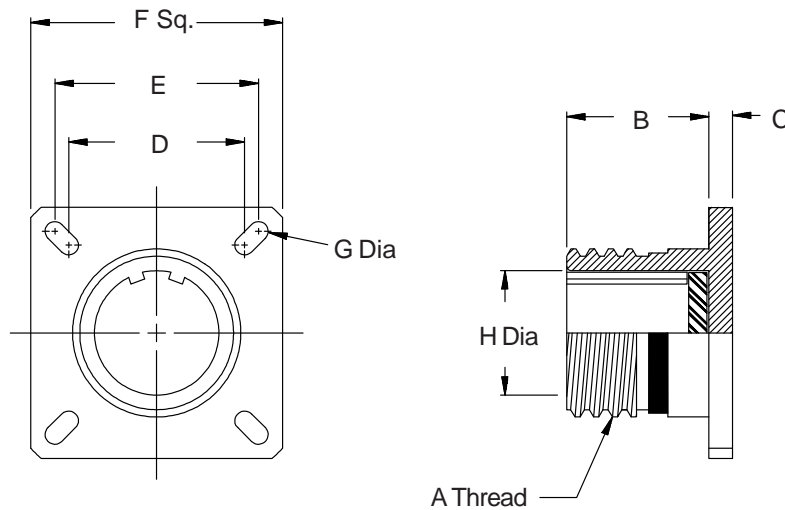
### MIL-C-38999 Series III

650HS010 B 17

Basic Part No. \_\_\_\_\_

Finish (Table II) \_\_\_\_\_

Shell Size \_\_\_\_\_



#### TABLE III: DIMENSIONS

Shell Size	Shell Size Code	A Thread	B Max	C Max	D
09	A	.625-.1P-3LTS	.843 (21.4)	.110 (2.8)	.594 (15.1)
11	B	.750-.1P-3LTS	.843 (21.4)	.110 (2.8)	.719 (18.3)
13	C	.875-.1P-3LTS	.843 (21.4)	.110 (2.8)	.812 (20.6)
15	D	1.000-.1P-3LTS	.843 (21.4)	.110 (2.8)	.906 (23.0)
17	E	1.187-.1P-3LTS	.843 (21.4)	.110 (2.8)	.969 (24.6)
19	F	1.250-.1P-3LTS	.843 (21.4)	.110 (2.8)	1.062 (27.0)
21	G	1.375-.1P-3LTS	.811 (20.6)	.137 (3.5)	1.156 (29.4)
23	H	1.500-.1P-3LTS	.811 (20.6)	.137 (3.5)	1.250 (31.8)
25	J	1.625-.1P-3LTS	.811 (20.6)	.137 (3.5)	1.375 (34.9)

See inside back cover fold-out or page 14 for Table II.

Metric dimensions (mm) are indicated in parentheses.

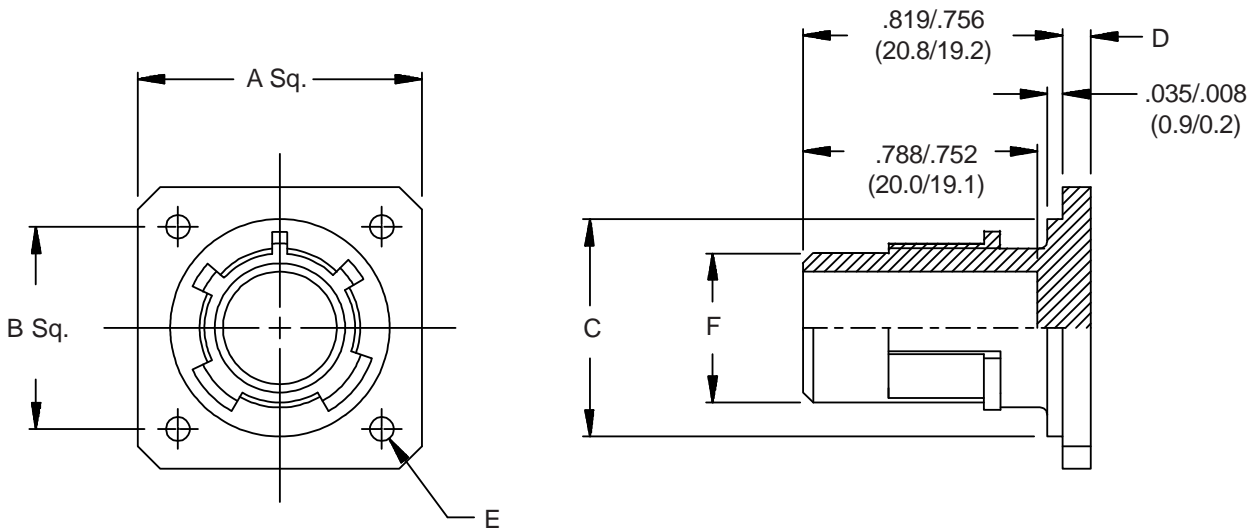
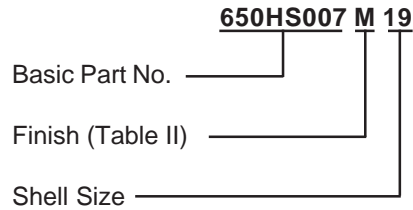
#### TABLE III (Continued)

Shell Size	Shell Size Code	E	F Max	G Dia ±.007 (0.2)	H Dia
09	A	.719 (18.3)	.949 (24.1)	.128 (3.3)	.492 (12.5)
11	B	.812 (20.6)	1.043 (26.5)	.128 (3.3)	.620 (15.7)
13	C	.906 (23.0)	1.138 (28.9)	.128 (3.3)	.769 (19.5)
15	D	.969 (24.6)	1.232 (31.3)	.128 (3.3)	.894 (22.7)
17	E	1.062 (27.0)	1.322 (33.6)	.128 (3.3)	1.019 (25.9)
19	F	1.156 (29.4)	1.448 (36.8)	.128 (3.3)	1.124 (28.5)
21	G	1.250 (31.8)	1.574 (40.0)	.128 (3.3)	1.249 (31.7)
23	H	1.375 (34.9)	1.700 (43.2)	.154 (3.9)	1.374 (34.9)
25	J	1.500 (38.1)	1.822 (46.3)	.154 (3.9)	1.499 (38.1)

**650HS007**  
**Dummy Storage Receptacles - Breach-Lock**  
**MIL-C-38999 Series IV**



**MIL-C-38999**  
**Series IV**  
**Universal**  
**Polarization**



See inside back cover fold-out or page 14 for Table II.

TABLE III: DIMENSIONS										
Shell Size	Shell Size Code	A Max	B BSC	C			D	E	F	
				+ 0	(0.0)	-0.15			(-0.4)	+ 0
11	B	1.051 (26.7)	.812 (20.6)	.793 (20.1)	(0.0)	(-0.4)	.094 (2.4)	.132 (3.4)	.509 (12.9)	(0.0)
13	C	1.146 (29.1)	.906 (23.0)	.919 (23.3)	(0.0)	(-0.4)	.094 (2.4)	.132 (3.4)	.634 (16.1)	(0.0)
15	D	1.240 (31.5)	.969 (24.6)	1.044 (26.5)	(0.0)	(-0.4)	.094 (2.4)	.132 (3.4)	.759 (19.3)	(0.0)
17	E	1.335 (33.9)	1.062 (27.0)	1.170 (29.7)	(0.0)	(-0.4)	.094 (2.4)	.132 (3.4)	.885 (22.5)	(0.0)
19	F	1.461 (37.1)	1.156 (29.4)	1.294 (32.9)	(0.0)	(-0.4)	.094 (2.4)	.132 (3.4)	1.009 (25.6)	(0.0)
21	G	1.583 (40.2)	1.250 (31.8)	1.419 (36.0)	(0.0)	(-0.4)	.126 (3.2)	.132 (3.4)	1.134 (28.8)	(0.0)
23	H	1.709 (43.4)	1.375 (34.9)	1.544 (39.2)	(0.0)	(-0.4)	.126 (3.2)	.152 (3.9)	1.259 (32.0)	(0.0)
25	J	1.835 (46.6)	1.500 (38.1)	1.669 (42.4)	(0.0)	(-0.4)	.126 (3.2)	.152 (3.9)	1.384 (35.2)	(0.0)

1. Equivalent to DOD-C-38999/50.
2. Metric dimensions (mm) are indicated in parentheses.

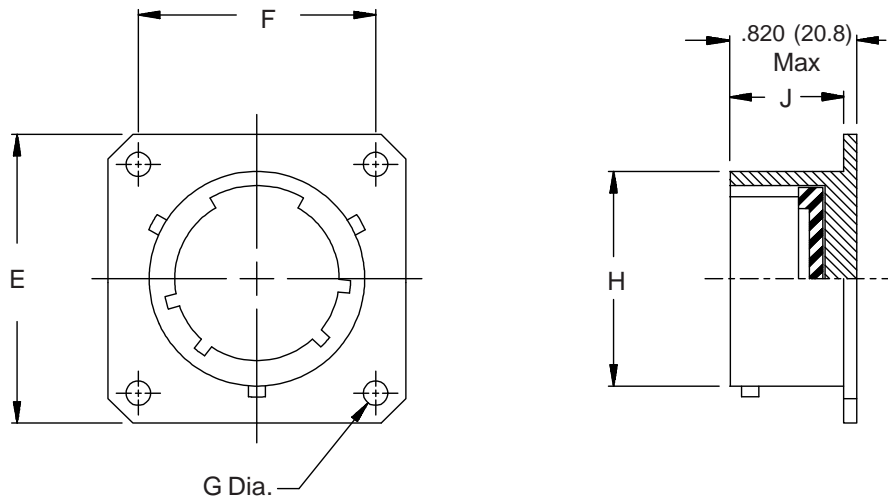
S J T

650LS001 M 16

Basic Part No. \_\_\_\_\_

Finish (Table II) \_\_\_\_\_

Shell Size \_\_\_\_\_



See inside back cover fold-out or page 14 for Table II.

TABLE III: DIMENSIONS							
Shell Size	E	F	G	H	J	Dim	
08	.812 (20.6)	.594 (15.1)	.120 (3.0)	.473 (12.0)	.670 (17.0)		
10	.938 (23.8)	.719 (18.3)	.120 (3.0)	.590 (15.0)	.670 (17.0)		
12	1.031 (26.2)	.812 (20.6)	.120 (3.0)	.750 (19.1)	.670 (17.0)		
14	1.125 (28.6)	.906 (23.0)	.120 (3.0)	.875 (22.2)	.670 (17.0)		
16	1.219 (31.0)	.969 (24.6)	.120 (3.0)	1.000 (25.4)	.670 (17.0)		
18	1.312 (33.3)	1.062 (27.0)	.120 (3.0)	1.125 (28.6)	.670 (17.0)		
20	1.438 (36.5)	1.156 (29.4)	.120 (3.0)	1.250 (31.8)	.640 (16.3)		
22	1.562 (39.7)	1.250 (31.8)	.120 (3.0)	1.375 (34.9)	.640 (16.3)		
24	1.686 (42.8)	1.375 (34.9)	.147 (3.7)	1.500 (38.1)	.640 (16.3)		

Metric dimensions (mm) are indicated in parentheses.



## PRODUCT FEATURES

- n Plug and Receptacle Covers for All MS Type Circular Connectors
- n Threaded, Bayonet and Breach-Lock Designs to Exact Connector Interface Specifications
- n Wide Selection of Attachment Chains
- n Conductive and Non-Conductive Metal and Rubber Versions

Extend interconnect system life and improve performance with protective covers

***An essential part of every safety-critical interconnect harness and connector assembly***

A wide selection of EMI/RFI protective covers are offered for both bayonet and thread coupled circular connectors. Glenair Series 66 metal covers offer a broad choice of attachments not provided on Military Standard versions.

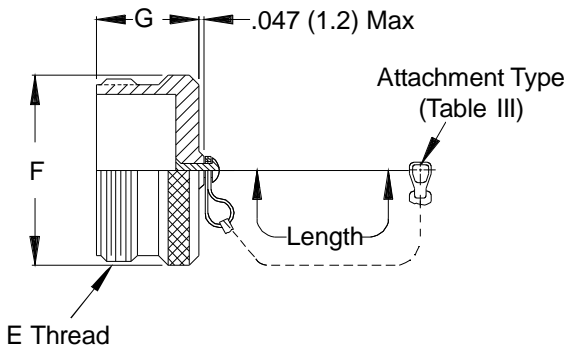
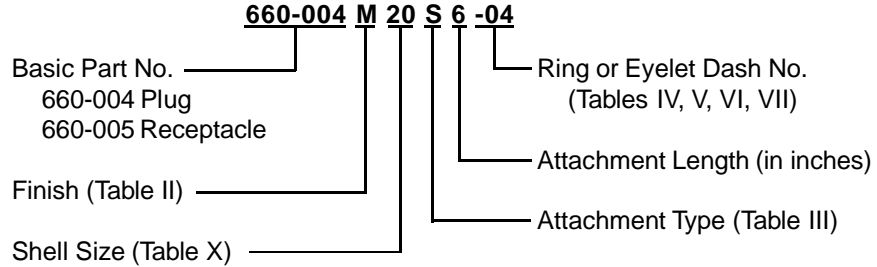
Our Series 78 "Mr. Bean" Protective Rubber Covers are designed to prevent finish damage caused by metal-to-metal contact between disengaged covers and equipment boxes. The durable and solvent-resistant rubber material is available in both onductive and non-conductive versions. Hundreds of additional "Mr. Bean" Protective Rubber Cover designs are available beyond the universal connector plug and receptacle covers presented here, including special high-temperature versions. Please consult the factory for custom requirements.



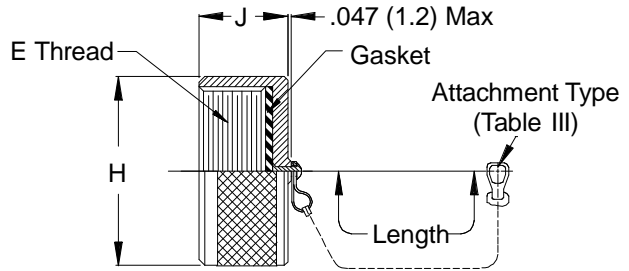
Introducing Glenair "Mr. Bean" Protective Rubber Covers: Conductive and non-conductive rubber covers prevent finish damage between disengaged covers and equipment panels. See page 24 in this section for more information.



MIL-C-5015



660-004 Plug Cover



660-005 Receptacle Cover

TABLE X: SHELL SIZE DIMENSIONS

Shell Size	E Thread	F Max	G Max	H Max	J Max
08	1/2 - 28 UNEF	.562 (14.3)	.656 (16.7)	.688 (17.5)	.465 (11.8)
10	5/8 - 24 UNEF	.687 (17.4)	.656 (16.7)	.815 (20.7)	.465 (11.8)
12	3/4 - 20 UNEF	.812 (20.6)	.844 (21.4)	1.000 (25.4)	.465 (11.8)
14	7/8 - 20 UNEF	.937 (23.8)	.844 (21.4)	1.125 (28.6)	.465 (11.8)
16	1 - 20 UNEF	1.062 (27.0)	.844 (21.4)	1.188 (30.2)	.465 (11.8)
18	1 1/8 - 18 UNEF	1.187 (30.1)	.844 (21.4)	1.344 (34.1)	.465 (11.8)
20	1 1/4 - 18 UNEF	1.312 (33.3)	.844 (21.4)	1.469 (37.3)	.465 (11.8)
22	1 3/8 - 18 UNEF	1.437 (36.5)	.844 (21.4)	1.594 (40.5)	.465 (11.8)
24	1 1/2 - 18 UNEF	1.562 (39.7)	.844 (21.4)	1.719 (43.7)	.465 (11.8)
28	1 3/4 - 18 UNS	1.812 (46.0)	.844 (21.4)	1.969 (50.0)	.531 (13.5)
32	2 - 18 UNS	2.062 (52.4)	.844 (21.4)	2.219 (56.4)	.531 (13.5)
36	2 1/4 - 16 UN	2.312 (58.7)	.844 (21.4)	2.469 (62.7)	.531 (13.5)
40	2 1/2 - 16 UN	2.562 (65.1)	.844 (21.4)	2.719 (69.1)	.531 (13.5)
44	2 3/4 - 16 UN	2.812 (71.4)	.844 (21.4)	2.969 (75.4)	.531 (13.5)
48	3 - 16 UN	3.062 (77.8)	.844 (21.4)	3.188 (81.0)	.531 (13.5)

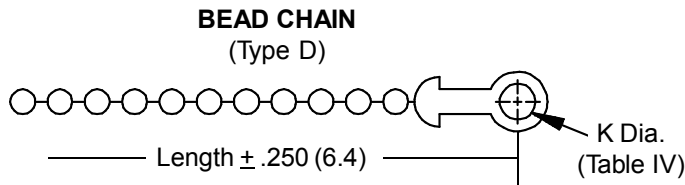
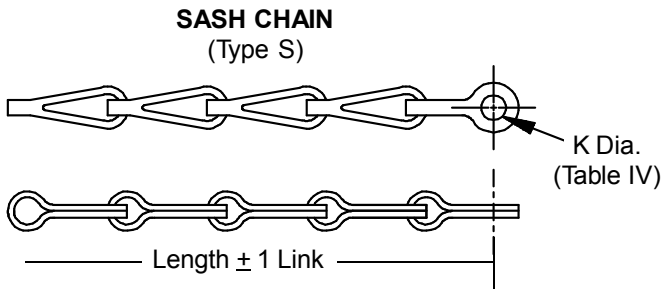
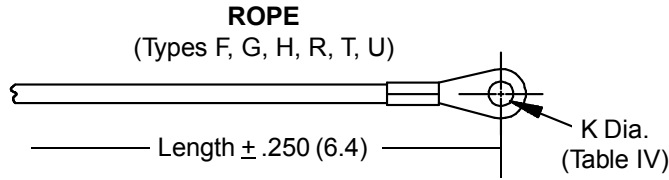
See inside back cover fold-out or page 14 for Table II.

Metric dimensions (mm) are indicated in parentheses.

**660-004 (Plug) - 660-005 (Receptacle)  
Protective Covers  
MIL-C-5015**



**66 & 78**

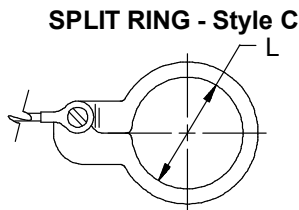


**TABLE III: ATTACHMENT**

Sym	Attachment Type
D	Bead Chain, Cres., Passivate
F	Wire Rope, Nylon Jacket
G	Nylon Rope
H	Wire Rope, Fluoropolymer Jacket
N	No Attachment
R	Wire Rope, PVC Jacket
S	#8 Sash Chain, Cres., Passivate
T	Wire Rope, No Jacket
U	Wire Rope, Polyurethane Jacket with Terminal

**TABLE IV: EYELET**

Dash No.	K DIA
01	.140 (3.6)
02	.182 (4.6)
03	.191 (4.9)
04	.197 (5.0)
05	.167 (4.2)
06	.125 (3.2)
07	.218 (5.5)
09	.156 (4.0)
00	No Eyelet



**TABLE V: SPLIT RING STYLE C**

Dash No.	L Dia. $\pm .015$ (0.4)	Dash No.	L Dia. $\pm .015$ (0.4)
50	.425 (10.8)	74	1.625 (41.3)
52	.485 (12.3)	76	1.750 (44.5)
54	.640 (16.3)	78	1.875 (47.6)
56	.750 (19.1)	80	1.980 (50.3)
58	.890 (22.6)	82	2.060 (52.3)
60	1.015 (25.8)	84	2.235 (56.8)
62	1.095 (27.8)	86	2.310 (58.7)
64	1.130 (28.7)	88	2.475 (62.9)
66	1.250 (31.8)	90	2.655 (67.4)
68	1.350 (34.3)	92	2.810 (71.4)
70	1.390 (35.3)	94	3.045 (77.3)
72	1.485 (37.7)		

**TABLE VI: SOLID RING STYLE B**

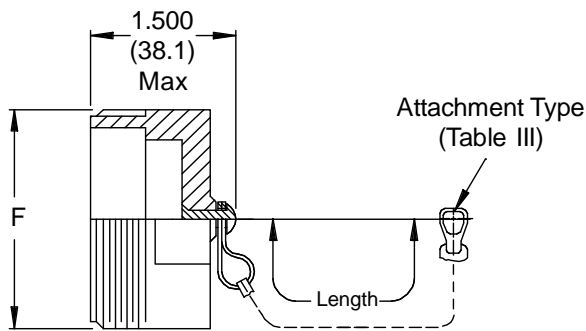
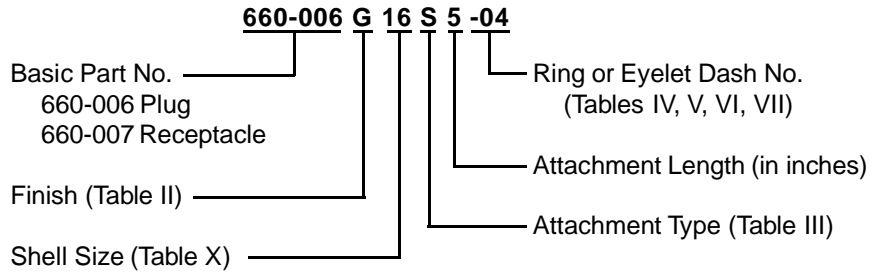
Dash No.	M Dia. $\pm .015$ (0.4)	Dash No.	M Dia. $\pm .015$ (0.4)
08	.468 (11.9)	24	1.484 (37.7)
10	.593 (15.1)	25	1.577 (40.1)
12	.718 (18.2)	27	1.640 (41.7)
13	.765 (19.4)	28	1.687 (42.8)
14	.844 (21.4)	29	1.765 (44.8)
15	.890 (22.6)	30	1.890 (48.0)
16	.968 (24.6)	31	1.953 (49.6)
17	1.015 (25.8)	32	1.968 (50.0)
18	1.093 (27.8)	33	2.077 (52.8)
19	1.140 (29.0)	35	2.140 (54.4)
20	1.203 (30.6)	36	2.187 (55.5)
21	1.265 (32.1)	40	2.406 (61.1)
22	1.343 (34.1)	44	2.656 (67.5)
23	1.453 (36.9)	48	3.031 (77.0)
		118	.310 (7.9)

**TABLE VII: SOLID RING STYLE A**

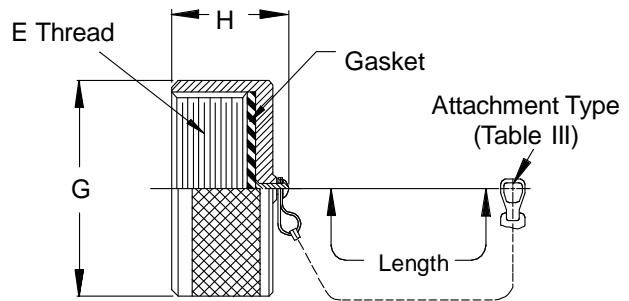
Dash No.	N Dia. $\pm .015$ (0.4)	Dash No.	N Dia. $\pm .015$ (0.4)
095	.312 (7.9)	109	1.266 (32.2)
100	.391 (9.9)	209	1.312 (33.3)
101	.516 (13.1)	110	1.391 (35.3)
102	.583 (14.8)	210	1.438 (36.5)
103	.641 (16.3)	111	1.521 (38.6)
104	.708 (18.0)	211	1.536 (39.0)
105	.766 (19.5)	112	1.641 (41.7)
205	.788 (20.0)	113	1.766 (44.9)
106	.896 (22.2)	213	1.812 (46.0)
206	.907 (23.0)	114	1.891 (48.0)
107	1.016 (25.8)	214	1.938 (49.2)
207	1.025 (26.0)	115	2.078 (52.8)
108	1.141 (29.0)	116	2.406 (61.1)
308	1.188 (30.2)	117	2.510 (63.8)
208	1.203 (30.6)		

**660-006 (Plug) - 660-007 (Receptacle)**  
**Protective Covers**  
**MIL-C-22992**

**MIL-C-22992**



**660-006 Plug Cover**



**660-007 Receptacle Cover**

**TABLE X: SHELL SIZE DIMENSIONS**

Shell Size	E Thread	F Max	G Max	H Max
12	.8750-0.1P-0.2L-DS	.875 (22.2)	1.094 (27.8)	.765 (19.4)
14	1.0000-0.1P-0.2L-DS	1.000 (25.4)	1.219 (31.0)	.765 (19.4)
16	1.1250-0.1P-0.2L-DS	1.125 (28.6)	1.344 (34.1)	.980 (24.9)
18	1.2500-0.1P-0.2L-DS	1.250 (31.8)	1.469 (37.3)	.980 (24.9)
20	1.3750-0.1P-0.2L-DS	1.375 (34.9)	1.562 (39.7)	.980 (24.9)
22	1.5000-0.1P-0.2L-DS	1.500 (38.1)	1.688 (42.9)	.980 (24.9)
24	1.7500-0.1P-0.2L-DS	1.750 (44.5)	1.938 (49.2)	.980 (24.9)
28	2.0000-0.1P-0.2L-DS	2.000 (50.8)	2.219 (56.4)	.980 (24.9)
32	2.2500-0.1P-0.2L-DS	2.250 (57.2)	2.469 (62.7)	.980 (24.9)
36	2.5000-0.1P-0.2L-DS	2.500 (63.5)	2.719 (69.1)	.980 (24.9)
40	2.7500-0.1P-0.2L-DS	2.750 (69.9)	2.969 (75.4)	.980 (24.9)

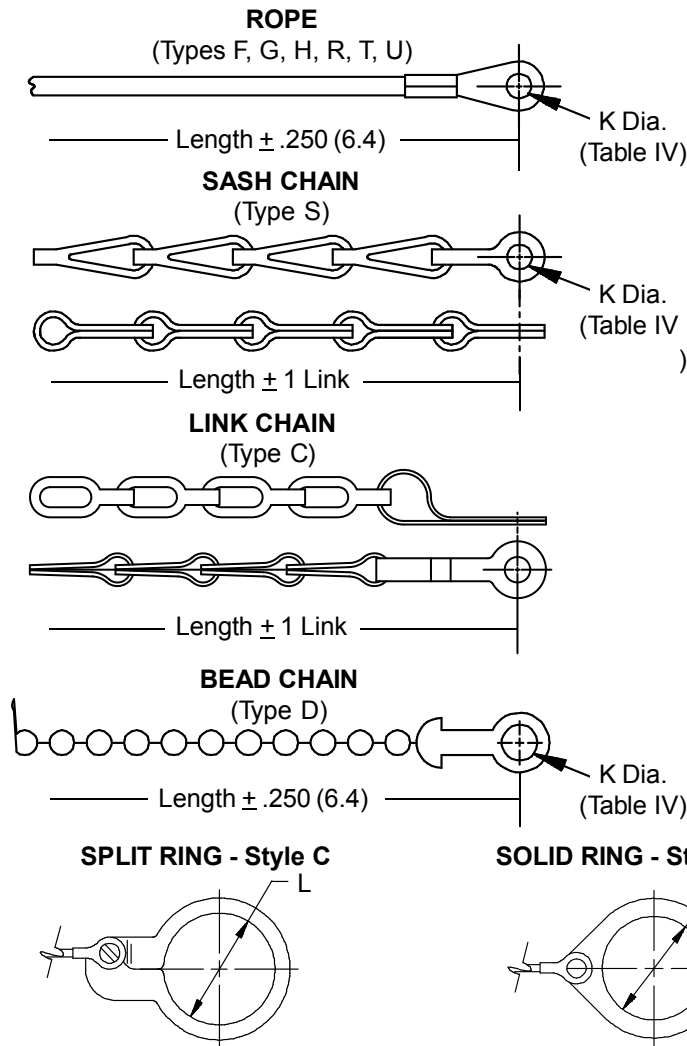
**See inside back cover fold-out or page 14 for Table II.**

Metric dimensions (mm) are indicated in parentheses.

**660-006 (Plug) - 660-007 (Receptacle)**  
**Protective Covers**  
**MIL-C-22992**



**66 & 78**



Sym	Attachment Type
C	Link Chain, Cres., Nickel Plate
D	Bead Chain, Cres., Passivate
F	Wire Rope, Nylon Jacket
G	Nylon Rope
H	Wire Rope, Fluoropolymer Jacket
N	No Attachment
R	Wire Rope, PVC Jacket
S	#8 Sash Chain, Cres., Passivate
T	Wire Rope, No Jacket
U	Wire Rope, Polyurethane Jacket with Terminal

Dash No.	K DIA
01	.140 (3.6)
02	.182 (4.6)
03	.191 (4.9)
04	.197 (5.0)
05	.167 (4.2)
06	.125 (3.2)
07	.218 (5.5)
09	.156 (4.0)
00	No Eyelet

Dash No.	L Dia. ±.015 (0.4)	Dash No.	L Dia. ±.015 (0.4)
50	.425 (10.8)	74	1.625 (41.3)
52	.485 (12.3)	76	1.750 (44.5)
54	.640 (16.3)	78	1.875 (47.6)
56	.750 (19.1)	80	1.980 (50.3)
58	.890 (22.6)	82	2.060 (52.3)
60	1.015 (25.8)	84	2.235 (56.8)
62	1.095 (27.8)	86	2.310 (58.7)
64	1.130 (28.7)	88	2.475 (62.9)
66	1.250 (31.8)	90	2.655 (67.4)
68	1.350 (34.3)	92	2.810 (71.4)
70	1.390 (35.3)	94	3.045 (77.3)
72	1.485 (37.7)		

Dash No.	M Dia. ±.015 (0.4)	Dash No.	M Dia. ±.015 (0.4)
08	.468 (11.9)	24	1.484 (37.7)
10	.593 (15.1)	25	1.577 (40.1)
12	.718 (18.2)	27	1.640 (41.7)
13	.765 (19.4)	28	1.687 (42.8)
14	.844 (21.4)	29	1.765 (44.8)
15	.890 (22.6)	30	1.890 (48.0)
16	.968 (24.6)	31	1.953 (49.6)
17	1.015 (25.8)	32	1.968 (50.0)
18	1.093 (27.8)	33	2.077 (52.8)
19	1.140 (29.0)	35	2.140 (54.4)
20	1.203 (30.6)	36	2.187 (55.5)
21	1.265 (32.1)	40	2.406 (61.1)
22	1.343 (34.1)	44	2.656 (67.5)
23	1.453 (36.9)	48	3.031 (77.0)
		118	.310 (7.9)

Dash No.	N Dia. ±.015 (0.4)	Dash No.	N Dia. ±.015 (0.4)
095	.312 (7.9)	109	1.266 (32.2)
100	.391 (9.9)	209	1.312 (33.3)
101	.516 (13.1)	110	1.391 (35.3)
102	.583 (14.8)	210	1.438 (36.5)
103	.641 (16.3)	111	1.521 (38.6)
104	.708 (18.0)	211	1.536 (39.0)
105	.766 (19.5)	112	1.641 (41.7)
205	.788 (20.0)	113	1.766 (44.9)
106	.896 (22.7)	213	1.812 (46.0)
206	.907 (23.0)	114	1.891 (48.0)
107	1.016 (25.8)	214	1.938 (49.2)
207	1.025 (26.0)	115	2.078 (52.8)
108	1.141 (29.0)	116	2.406 (61.1)
308	1.188 (30.2)	117	2.510 (63.8)
208	1.203 (30.6)		

MIL-C-26482

660-008 M 20 S 6 -04

Basic Part No. \_\_\_\_\_  
660-008 Plug  
660-009 Receptacle  
661-001 Receptacle

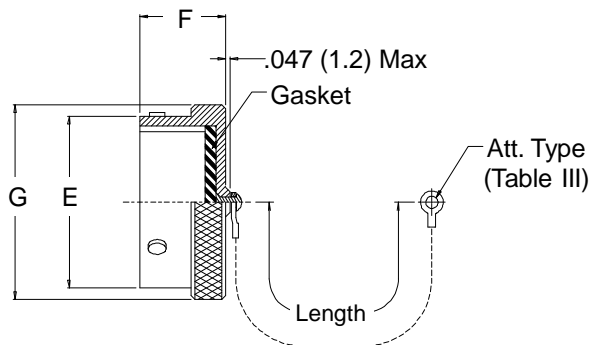
Finish (Table II) \_\_\_\_\_

Shell Size (Table X) \_\_\_\_\_

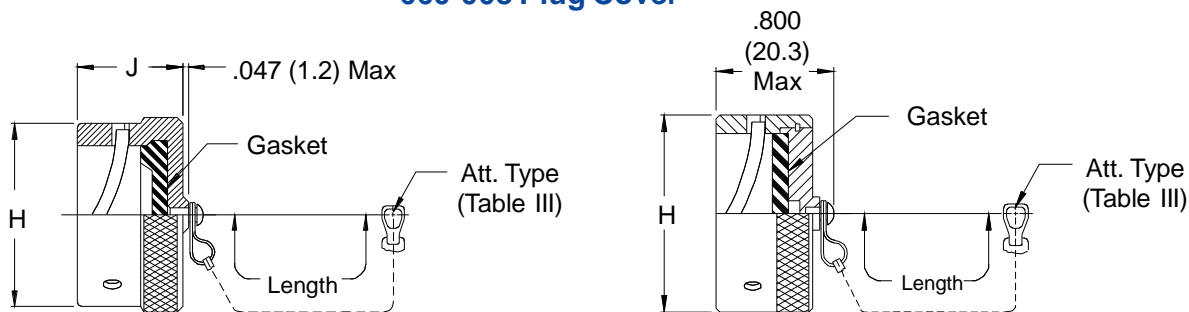
Ring or Eyelet Dash No.  
(Tables IV, V, VI, VII)

Attachment Length (in inches)

Attachment Type (Table III)



660-008 Plug Cover



660-009 Receptacle Cover

661-001 EMI/RFI Receptacle Cover

TABLE X: SHELL SIZE DIMENSIONS

Shell Size	E Dia	F Max	G Dia Max	H Dia Max	J Max
08	.473 (12.0)	.562 (14.3)	.719 (18.3)	.734 (18.6)	.562 (14.3)
10	.590 (15.0)	.562 (14.3)	.844 (21.4)	.859 (21.8)	.562 (14.3)
12	.750 (19.1)	.562 (14.3)	1.000 (25.4)	1.000 (25.4)	.562 (14.3)
14	.875 (22.2)	.562 (14.3)	1.125 (28.6)	1.125 (28.6)	.562 (14.3)
16	1.000 (25.4)	.562 (14.3)	1.250 (31.8)	1.250 (31.8)	.562 (14.3)
18	1.125 (28.6)	.562 (14.3)	1.375 (34.9)	1.375 (34.9)	.562 (14.3)
20	1.250 (31.8)	.625 (15.9)	1.500 (38.1)	1.500 (38.1)	.562 (14.3)
22	1.375 (34.9)	.625 (15.9)	1.625 (41.3)	1.625 (41.3)	.562 (14.3)
24	1.500 (38.1)	.658 (16.7)	1.750 (44.5)	1.750 (44.5)	.602 (15.3)

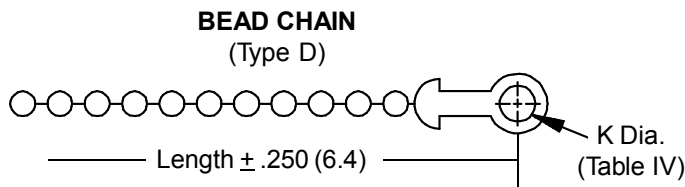
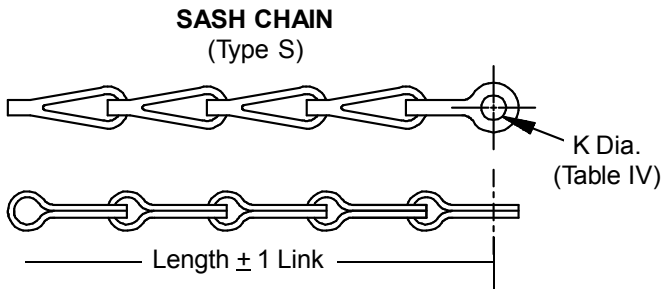
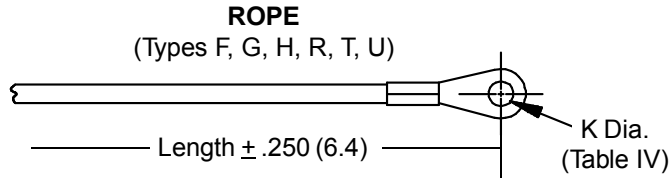
See inside back cover fold-out or page 14 for Table II.

Metric dimensions (mm) are indicated in parentheses.

**660-008 (Plug) - 660-009 (Receptacle)  
661-001 (EMI Receptacle)  
Protective Covers  
MIL-C-26482**



**66 & 78**

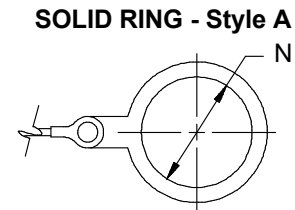
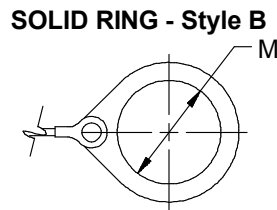
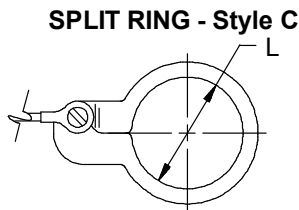


**TABLE III: ATTACHMENT**

Sym	Attachment Type
D	Bead Chain, Cres., Passivate
F	Wire Rope, Nylon Jacket
G	Nylon Rope
H	Wire Rope, Fluoropolymer Jacket
N	No Attachment
R	Wire Rope, PVC Jacket
S	#8 Sash Chain, Cres., Passivate
T	Wire Rope, No Jacket
U	Wire Rope, Polyurethane Jacket with Terminal

**TABLE IV: EYELET**

Dash No.	K DIA
01	.140 (3.6)
02	.182 (4.6)
03	.191 (4.9)
04	.197 (5.0)
05	.167 (4.2)
06	.125 (3.2)
07	.218 (5.5)
09	.156 (4.0)
00	No Eyelet



**TABLE V: SPLIT RING STYLE C**

Dash No.	L Dia. ±.015 (0.4)	Dash No.	L Dia. ±.015 (0.4)
50	.425 (10.8)	74	1.625 (41.3)
52	.485 (12.3)	76	1.750 (44.5)
54	.640 (16.3)	78	1.875 (47.6)
56	.750 (19.1)	80	1.980 (50.3)
58	.890 (22.6)	82	2.060 (52.3)
60	1.015 (25.8)	84	2.235 (56.8)
62	1.095 (27.8)	86	2.310 (58.7)
64	1.130 (28.7)	88	2.475 (62.9)
66	1.250 (31.8)	90	2.655 (67.4)
68	1.350 (34.3)	92	2.810 (71.4)
70	1.390 (35.3)	94	3.045 (77.3)
72	1.485 (37.7)		

**TABLE VI: SOLID RING STYLE B**

Dash No.	M Dia. ±.015 (0.4)	Dash No.	M Dia. ±.015 (0.4)
08	.468 (11.9)	24	1.484 (37.7)
10	.593 (15.1)	25	1.577 (40.1)
12	.718 (18.2)	27	1.640 (41.7)
13	.765 (19.4)	28	1.687 (42.8)
14	.844 (21.4)	29	1.765 (44.8)
15	.890 (22.6)	30	1.890 (48.0)
16	.968 (24.6)	31	1.953 (49.6)
17	1.015 (25.8)	32	1.968 (50.0)
18	1.093 (27.8)	33	2.077 (52.8)
19	1.140 (29.0)	35	2.140 (54.4)
20	1.203 (30.6)	36	2.187 (55.5)
21	1.265 (32.1)	40	2.406 (61.1)
22	1.343 (34.1)	44	2.656 (67.5)
23	1.453 (36.9)	48	3.031 (77.0)
		118	.310 (7.9)

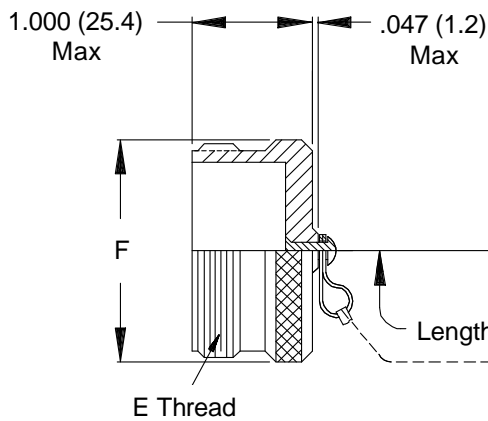
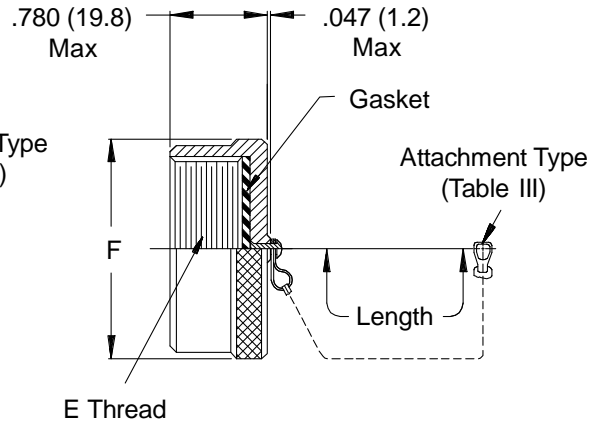
**TABLE VII: SOLID RING STYLE A**

Dash No.	N Dia. ±.015 (0.4)	Dash No.	N Dia. ±.015 (0.4)
095	.312 (7.9)	109	1.266 (32.2)
100	.391 (9.9)	209	1.312 (33.3)
101	.516 (13.1)	110	1.391 (35.3)
102	.583 (14.8)	210	1.438 (36.5)
103	.641 (16.3)	111	1.521 (38.6)
104	.708 (18.0)	211	1.536 (39.0)
105	.766 (19.5)	112	1.641 (41.7)
205	.788 (20.0)	113	1.766 (44.9)
106	.896 (22.2)	213	1.812 (46.0)
206	.907 (23.0)	114	1.891 (48.0)
107	1.016 (25.8)	214	1.938 (49.2)
207	1.025 (26.0)	115	2.078 (52.8)
108	1.141 (29.0)	116	2.406 (61.1)
308	1.188 (30.2)	117	2.510 (63.8)
208	1.203 (30.6)		



**MIL-C-28840**

**660-010 NF D S 5 -04**  
 Basic Part No. \_\_\_\_\_  
 660-010 Plug  
 660-011 Receptacle  
 Finish (Table II) \_\_\_\_\_  
 Shell Size Designator (Table X) \_\_\_\_\_  
 Ring or Eyelet Dash No.  
 (Tables IV, V, VI, VII)  
 Attachment Length (in inches)  
 Attachment Type (Table III)


**660-010 Plug Cover**

**660-011 Receptacle Cover**
**TABLE X: SHELL SIZE DIMENSIONS**

Shell Size Designator	Shell Size (Ref.)	E Thread	F Max
A	11	.750-0.1P-0.2L-DS	1.028 (26.1)
B	13	.875-0.1P-0.2L-DS	1.141 (29.0)
C	15	1.062-0.1P-0.2L-DS	1.263 (32.1)
D	17	1.125-0.1P-0.2L-DS	1.387 (35.2)
E	19	1.312-0.1P-0.2L-DS	1.513 (38.4)
F	23	1.500-0.1P-0.2L-DS	1.703 (43.3)
G	25	1.625-0.1P-0.2L-DS	1.825 (46.4)
H	29	1.812-0.1P-0.2L-DS	2.143 (54.4)
J	33	2.000-0.1P-0.2L-DS	2.329 (59.2)

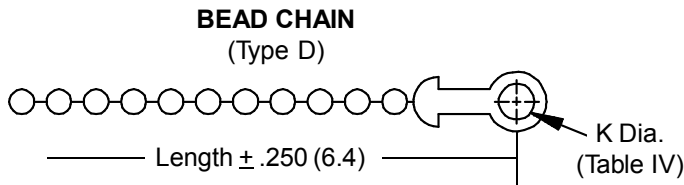
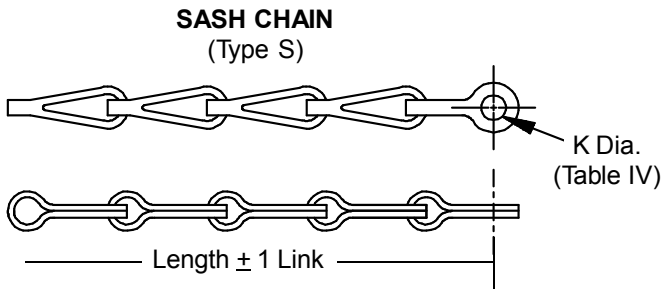
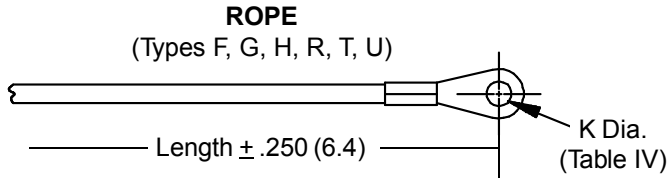
**See inside back cover fold-out or page 14 for Table II.**

Metric dimensions (mm) are indicated in parentheses.

**660-010 (Plug) - 660-011 (Receptacle)**  
**Protective Covers**  
**MIL-C-28840**



**66 & 78**

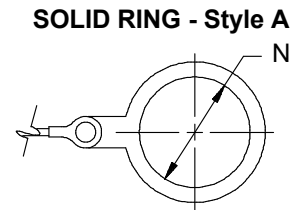
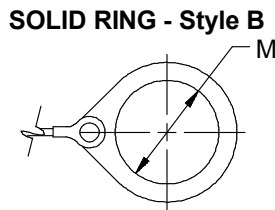
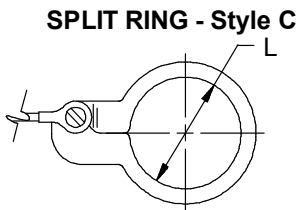


**TABLE III: ATTACHMENT**

Sym	Attachment Type
D	Bead Chain, Cres., Passivate
F	Wire Rope, Nylon Jacket
G	Nylon Rope
H	Wire Rope, Fluoropolymer Jacket
N	No Attachment
R	Wire Rope, PVC Jacket
S	#8 Sash Chain, Cres., Passivate
T	Wire Rope, No Jacket
U	Wire Rope, Polyurethane Jacket with Terminal

**TABLE IV: EYELET**

Dash No.	K DIA ±.010 (0.3)
01	.140 (3.6)
02	.182 (4.6)
03	.191 (4.9)
04	.197 (5.0)
05	.167 (4.2)
06	.125 (3.2)
07	.218 (5.5)
09	.156 (4.0)
00	No Eyelet



**TABLE V: SPLIT RING STYLE C**

Dash No.	L Dia. ±.015 (0.4)	Dash No.	L Dia. ±.015 (0.4)
50	.425 (10.8)	74	1.625 (41.3)
52	.485 (12.3)	76	1.750 (44.5)
54	.640 (16.3)	78	1.875 (47.6)
56	.750 (19.1)	80	1.980 (50.3)
58	.890 (22.6)	82	2.060 (52.3)
60	1.015 (25.8)	84	2.235 (56.8)
62	1.095 (27.8)	86	2.310 (58.7)
64	1.130 (28.7)	88	2.475 (62.9)
66	1.250 (31.8)	90	2.655 (67.4)
68	1.350 (34.3)	92	2.810 (71.4)
70	1.390 (35.3)	94	3.045 (77.3)
72	1.485 (37.7)		

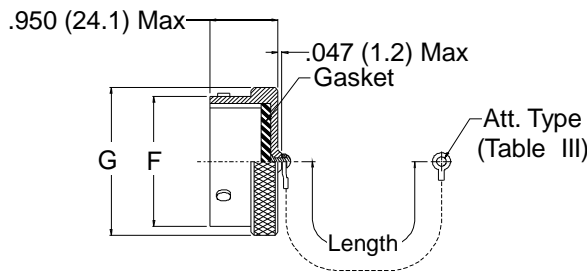
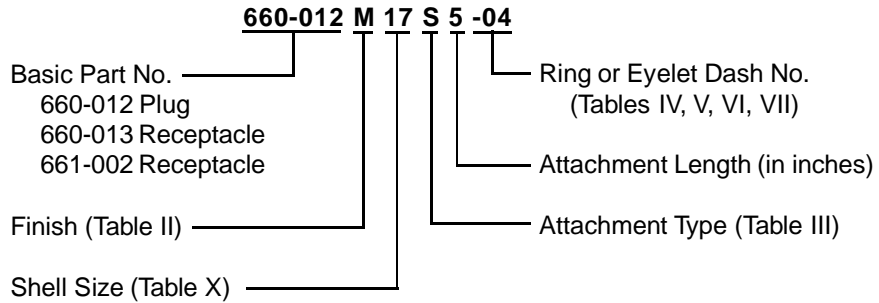
**TABLE VI: SOLID RING STYLE B**

Dash No.	M Dia. ±.015 (0.4)	Dash No.	M Dia. ±.015 (0.4)
08	.468 (11.9)	24	1.484 (37.7)
10	.593 (15.1)	25	1.577 (40.1)
12	.718 (18.2)	27	1.640 (41.7)
13	.765 (19.4)	28	1.687 (42.8)
14	.844 (21.4)	29	1.765 (44.8)
15	.890 (22.6)	30	1.890 (48.0)
16	.968 (24.6)	31	1.953 (49.6)
17	1.015 (25.8)	32	1.968 (50.0)
18	1.093 (27.8)	33	2.077 (52.8)
19	1.140 (29.0)	35	2.140 (54.4)
20	1.203 (30.6)	36	2.187 (55.5)
21	1.265 (32.1)	40	2.406 (61.1)
22	1.343 (34.1)	44	2.656 (67.5)
23	1.453 (36.9)	48	3.031 (77.0)
		118	.310 (7.9)

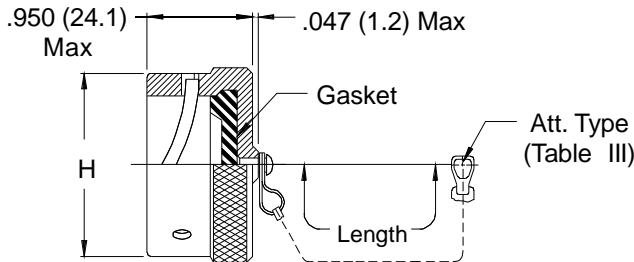
**TABLE VII: SOLID RING STYLE A**

Dash No.	N Dia. ±.015 (0.4)	Dash No.	N Dia. ±.015 (0.4)
095	.312 (7.9)	109	1.266 (32.2)
100	.391 (9.9)	209	1.312 (33.3)
101	.516 (13.1)	110	1.391 (35.3)
102	.583 (14.8)	210	1.438 (36.5)
103	.641 (16.3)	111	1.521 (38.6)
104	.708 (18.0)	211	1.536 (39.0)
105	.766 (19.5)	112	1.641 (41.7)
205	.788 (20.0)	113	1.766 (44.9)
106	.896 (22.2)	213	1.812 (46.0)
206	.907 (23.0)	114	1.891 (48.0)
107	1.016 (25.8)	214	1.938 (49.2)
207	1.025 (26.0)	115	2.078 (52.8)
108	1.141 (29.0)	116	2.406 (61.1)
308	1.188 (30.2)	117	2.510 (63.8)
208	1.203 (30.6)		

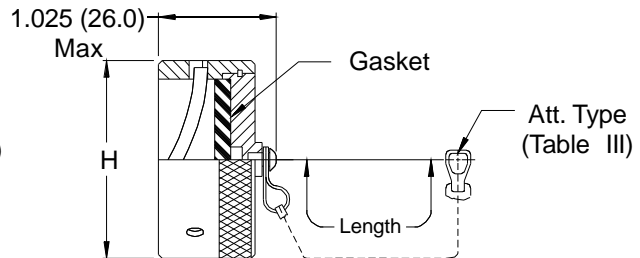
**MIL-C-38999  
Series I**



**660-012 Plug Cover**



**660-013 Receptacle Cover**



**661-002 EMI/RFI Receptacle Cover**

**TABLE X: SHELL SIZE DIMENSIONS**

Shell Size	F Dia	G Dia Max	H Max
09	.572 (14.5)	.820 (20.8)	.844 (21.4)
11	.700 (17.8)	.940 (23.9)	.968 (24.6)
13	.850 (21.6)	1.070 (27.2)	1.125 (28.6)
15	.975 (24.8)	1.190 (30.2)	1.250 (31.8)
17	1.100 (27.9)	1.320 (33.5)	1.406 (35.7)
19	1.207 (30.7)	1.440 (36.6)	1.500 (38.1)
21	1.332 (33.8)	1.570 (39.9)	1.625 (41.3)
23	1.457 (37.0)	1.690 (42.9)	1.750 (44.5)
25	1.582 (40.2)	1.820 (46.2)	1.875 (47.6)

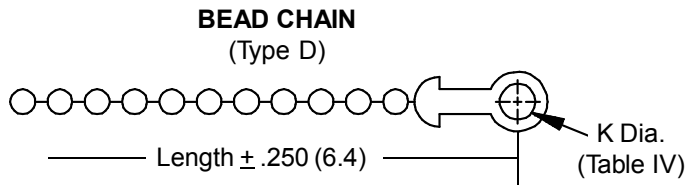
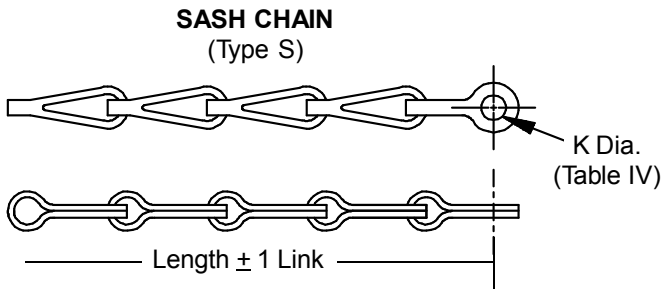
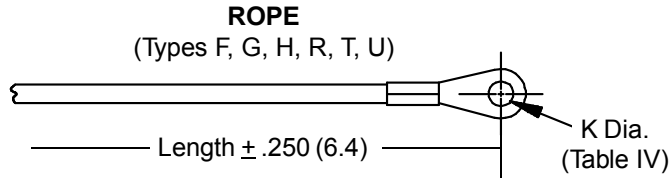
**See inside back cover fold-out or page 14 for Table II.**

Metric dimensions (mm) are indicated in parentheses.

**660-012 (Plug) - 660-013 (Receptacle)  
661-002 (EMI Receptacle)  
Protective Covers  
MIL-C-38999 Series I**



**66 & 78**

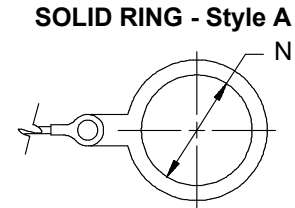
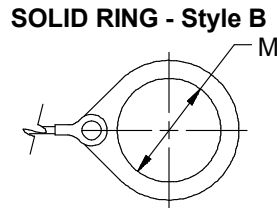
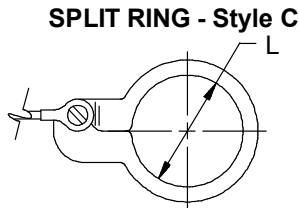


**TABLE III: ATTACHMENT**

Sym	Attachment Type
D	Bead Chain, Cres., Passivate
F	Wire Rope, Nylon Jacket
G	Nylon Rope
H	Wire Rope, Fluoropolymer Jacket
N	No Attachment
R	Wire Rope, PVC Jacket
S	#8 Sash Chain, Cres., Passivate
T	Wire Rope, No Jacket
U	Wire Rope, Polyurethane Jacket with Terminal

**TABLE IV: EYELET**

Dash No.	K DIA
01	.140 (3.6)
02	.182 (4.6)
03	.191 (4.9)
04	.197 (5.0)
05	.167 (4.2)
06	.125 (3.2)
07	.218 (5.5)
09	.156 (4.0)
00	No Eyelet



**TABLE V: SPLIT RING STYLE C**

Dash No.	L Dia. ±.015 (0.4)	Dash No.	L Dia. ±.015 (0.4)
50	.425 (10.8)	74	1.625 (41.3)
52	.485 (12.3)	76	1.750 (44.5)
54	.640 (16.3)	78	1.875 (47.6)
56	.750 (19.1)	80	1.980 (50.3)
58	.890 (22.6)	82	2.060 (52.3)
60	1.015 (25.8)	84	2.235 (56.8)
62	1.095 (27.8)	86	2.310 (58.7)
64	1.130 (28.7)	88	2.475 (62.9)
66	1.250 (31.8)	90	2.655 (67.4)
68	1.350 (34.3)	92	2.810 (71.4)
70	1.390 (35.3)	94	3.045 (77.3)
72	1.485 (37.7)		

**TABLE VI: SOLID RING STYLE B**

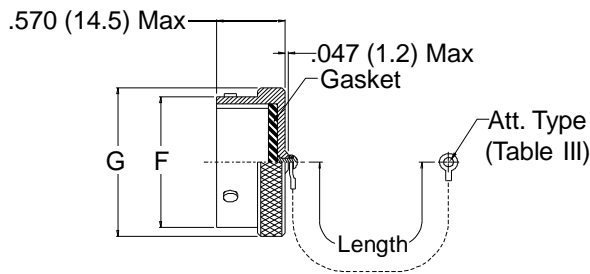
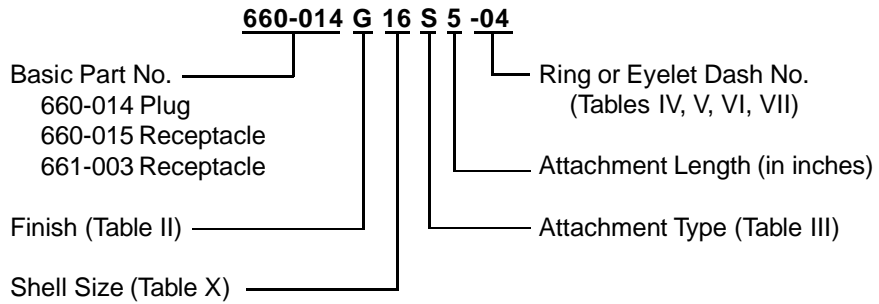
Dash No.	M Dia. ±.015 (0.4)	Dash No.	M Dia. ±.015 (0.4)
08	.468 (11.9)	24	1.484 (37.7)
10	.593 (15.1)	25	1.577 (40.1)
12	.718 (18.2)	27	1.640 (41.7)
13	.765 (19.4)	28	1.687 (42.8)
14	.844 (21.4)	29	1.765 (44.8)
15	.890 (22.6)	30	1.890 (48.0)
16	.968 (24.6)	31	1.953 (49.6)
17	1.015 (25.8)	32	1.968 (50.0)
18	1.093 (27.8)	33	2.077 (52.8)
19	1.140 (29.0)	35	2.140 (54.4)
20	1.203 (30.6)	36	2.187 (55.5)
21	1.265 (32.1)	40	2.406 (61.1)
22	1.343 (34.1)	44	2.656 (67.5)
23	1.453 (36.9)	48	3.031 (77.0)
		118	.310 (7.9)

**TABLE VII: SOLID RING STYLE A**

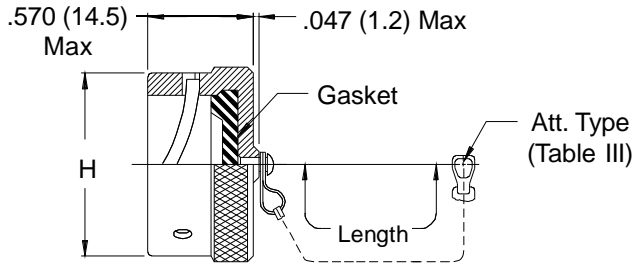
Dash No.	N Dia. ±.015 (0.4)	Dash No.	N Dia. ±.015 (0.4)
095	.312 (7.9)	109	1.266 (32.2)
100	.391 (9.9)	209	1.312 (33.3)
101	.516 (13.1)	110	1.391 (35.3)
102	.583 (14.8)	210	1.438 (36.5)
103	.641 (16.3)	111	1.521 (38.6)
104	.708 (18.0)	211	1.536 (39.0)
105	.766 (19.5)	112	1.641 (41.7)
205	.788 (20.0)	113	1.766 (44.9)
106	.896 (22.2)	213	1.812 (46.0)
206	.907 (23.0)	114	1.891 (48.0)
107	1.016 (25.8)	214	1.938 (49.2)
207	1.025 (26.0)	115	2.078 (52.8)
108	1.141 (29.0)	116	2.406 (61.1)
308	1.188 (30.2)	117	2.510 (63.8)
208	1.203 (30.6)		

**660-014 (Plug) - 660-015 (Receptacle)  
661-003 (EMI Receptacle)  
Protective Covers  
MIL-C-38999 Series II**

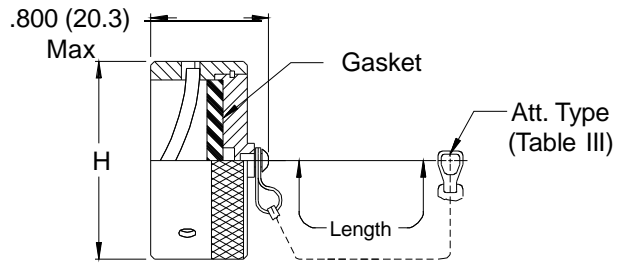
**MIL-C-38999  
Series II**



**660-014 Plug Cover**



**660-015 Receptacle Cover**



**661-003 EMI/RFI Receptacle Cover**

TABLE X: SHELL SIZE DIMENSIONS			
Shell Size	F Dia	G Dia Max	H Dia Max
08	.473 (12.0)	.720 (18.3)	.719 (18.3)
10	.590 (15.0)	.850 (21.6)	.812 (20.6)
12	.750 (19.1)	1.000 (25.4)	1.000 (25.4)
14	.875 (22.2)	1.130 (28.7)	1.125 (28.6)
16	1.000 (25.4)	1.250 (31.8)	1.250 (31.8)
18	1.125 (28.6)	1.380 (35.1)	1.375 (34.9)
20	1.250 (31.8)	1.500 (38.1)	1.500 (38.1)
22	1.375 (34.9)	1.630 (41.4)	1.625 (41.3)
24	1.500 (38.1)	1.750 (44.5)	1.750 (44.5)

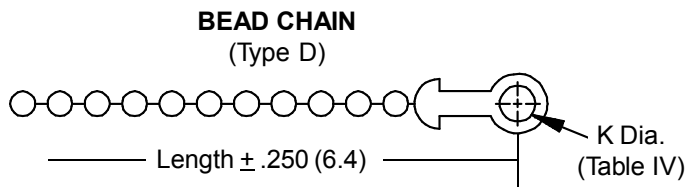
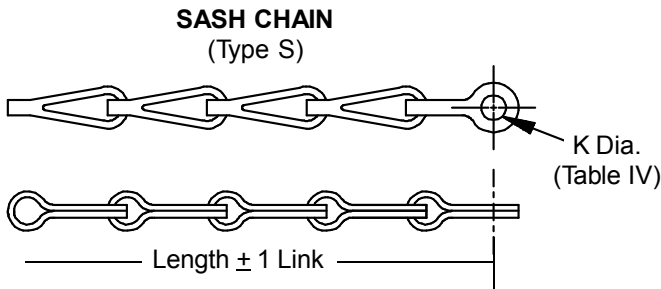
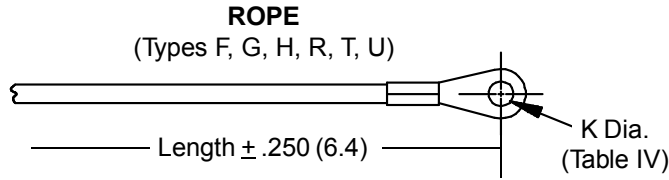
**See inside back cover fold-out or page 14 for Table II.**

Metric dimensions (mm) are indicated in parentheses.

**660-014 (Plug) - 660-015 (Receptacle)  
661-003 (EMI Receptacle)  
Protective Covers  
MIL-C-38999 Series II**



**66 & 78**

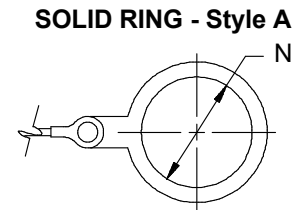
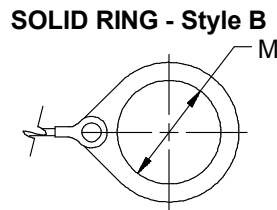
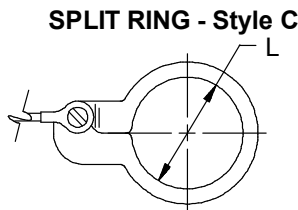


**TABLE III: ATTACHMENT**

Sym	Attachment Type
D	Bead Chain, Cres., Passivate
F	Wire Rope, Nylon Jacket
G	Nylon Rope
H	Wire Rope, Fluoropolymer Jacket
N	No Attachment
R	Wire Rope, PVC Jacket
S	#8 Sash Chain, Cres., Passivate
T	Wire Rope, No Jacket
U	Wire Rope, Polyurethane Jacket with Terminal

**TABLE IV: EYELET**

Dash No.	K DIA
01	.140 (3.6)
02	.182 (4.6)
03	.191 (4.9)
04	.197 (5.0)
05	.167 (4.2)
06	.125 (3.2)
07	.218 (5.5)
09	.156 (4.0)
00	No Eyelet



**TABLE V: SPLIT RING STYLE C**

Dash No.	L Dia. $\pm .015$ (0.4)	Dash No.	L Dia. $\pm .015$ (0.4)
50	.425 (10.8)	74	1.625 (41.3)
52	.485 (12.3)	76	1.750 (44.5)
54	.640 (16.3)	78	1.875 (47.6)
56	.750 (19.1)	80	1.980 (50.3)
58	.890 (22.6)	82	2.060 (52.3)
60	1.015 (25.8)	84	2.235 (56.8)
62	1.095 (27.8)	86	2.310 (58.7)
64	1.130 (28.7)	88	2.475 (62.9)
66	1.250 (31.8)	90	2.655 (67.4)
68	1.350 (34.3)	92	2.810 (71.4)
70	1.390 (35.3)	94	3.045 (77.3)
72	1.485 (37.7)		

**TABLE VI: SOLID RING STYLE B**

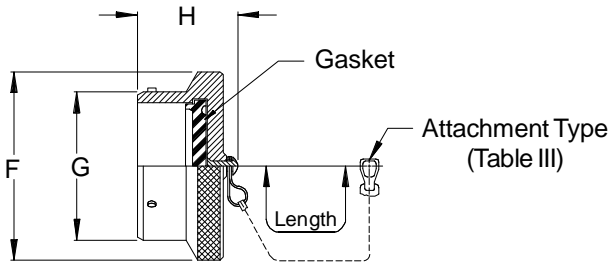
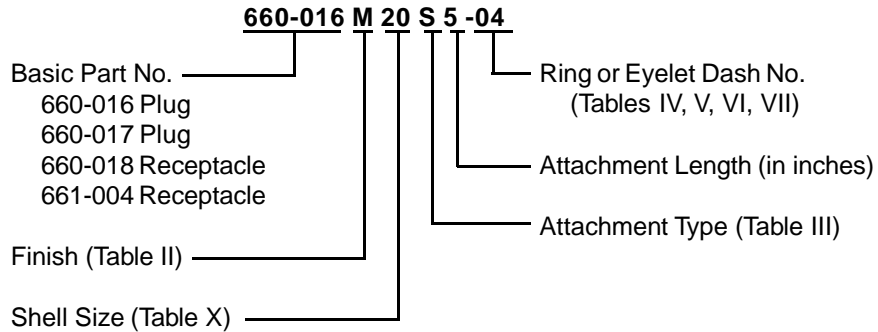
Dash No.	M Dia. $\pm .015$ (0.4)	Dash No.	M Dia. $\pm .015$ (0.4)
08	.468 (11.9)	24	1.484 (37.7)
10	.593 (15.1)	25	1.577 (40.1)
12	.718 (18.2)	27	1.640 (41.7)
13	.765 (19.4)	28	1.687 (42.8)
14	.844 (21.4)	29	1.765 (44.8)
15	.890 (22.6)	30	1.890 (48.0)
16	.968 (24.6)	31	1.953 (49.6)
17	1.015 (25.8)	32	1.968 (50.0)
18	1.093 (27.8)	33	2.077 (52.8)
19	1.140 (29.0)	35	2.140 (54.4)
20	1.203 (30.6)	36	2.187 (55.5)
21	1.265 (32.1)	40	2.406 (61.1)
22	1.343 (34.1)	44	2.656 (67.5)
23	1.453 (36.9)	48	3.031 (77.0)
		118	.310 (7.9)

**TABLE VII: SOLID RING STYLE A**

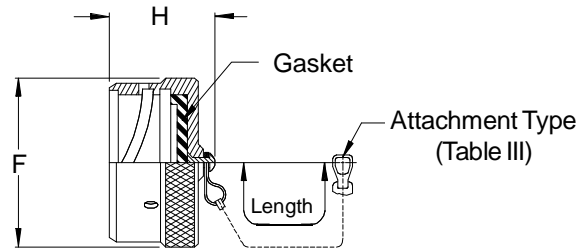
Dash No.	N Dia. $\pm .015$ (0.4)	Dash No.	N Dia. $\pm .015$ (0.4)
095	.312 (7.9)	109	1.266 (32.2)
100	.391 (9.9)	209	1.312 (33.3)
101	.516 (13.1)	110	1.391 (35.3)
102	.583 (14.8)	210	1.438 (36.5)
103	.641 (16.3)	111	1.521 (38.6)
104	.708 (18.0)	211	1.536 (39.0)
105	.766 (19.5)	112	1.641 (41.7)
205	.788 (20.0)	113	1.766 (44.9)
106	.896 (22.2)	213	1.812 (46.0)
206	.907 (23.0)	114	1.891 (48.0)
107	1.016 (25.8)	214	1.938 (49.2)
207	1.025 (26.0)	115	2.078 (52.8)
108	1.141 (29.0)	116	2.406 (61.1)
308	1.188 (30.2)	117	2.510 (63.8)
208	1.203 (30.6)		



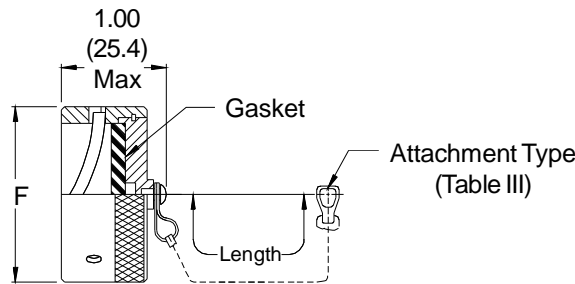
MIL-C-81511



**660-016 Plug Cover - Series 1 & 3**  
 (100% Scoop Proof)  
**660-017 Plug Cover - Series 2 & 4**  
 (50% Scoop Proof)



**660-018 Receptacle Cover**



**661-004 EMI/RFI Receptacle Cover**

TABLE X: SHELL SIZE DIMENSIONS

Shell Size	F Dia		G Dia		H Max	
	Max		Max		Series I & III	Series II & IV
08	.845	(21.5)	.553	(14.0)	1.125 (28.6)	.985 (25.0)
10	.970	(24.6)	.678	(17.2)	1.125 (28.6)	.985 (25.0)
14	1.220	(31.0)	.928	(23.6)	1.125 (28.6)	.985 (25.0)
16	1.345	(34.2)	1.054	(26.8)	1.125 (28.6)	.985 (25.0)
18	1.470	(37.3)	1.178	(29.9)	1.125 (28.6)	.985 (25.0)
20	1.595	(40.5)	1.303	(33.1)	1.125 (28.6)	
22	1.720	(43.7)	1.428	(36.3)	1.125 (28.6)	
24	1.845	(46.9)	1.553	(39.4)	1.125 (28.6)	

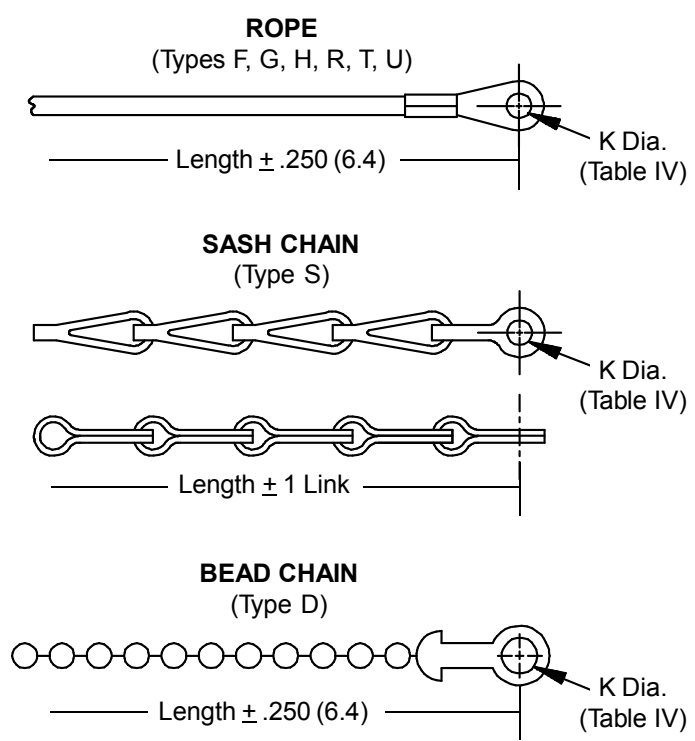
See inside back cover fold-out or page 14 for Table II.

Metric dimensions (mm) are indicated in parentheses.

**660-016 (Plug) - 660-017 (Plug)**  
**660-018 (Receptacle) - 661-004 (EMI Receptacle)**  
**Protective Covers**  
**MIL-C-81511**



**66 & 78**

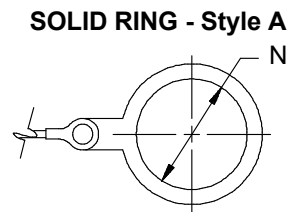
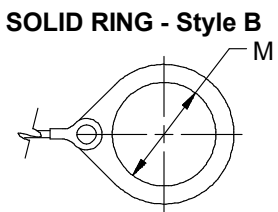
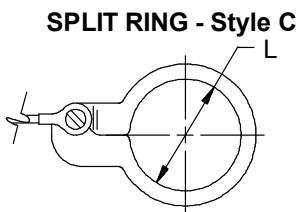


**TABLE III: ATTACHMENT**

Sym	Attachment Type
D	Bead Chain, Cres., Passivate
F	Wire Rope, Nylon Jacket
G	Nylon Rope
H	Wire Rope, Fluoropolymer Jacket
N	No Attachment
R	Wire Rope, PVC Jacket
S	#8 Sash Chain, Cres., Passivate
T	Wire Rope, No Jacket
U	Wire Rope, Polyurethane Jacket with Terminal

**TABLE IV: EYELET**

Dash No.	K DIA
01	.140 (3.6)
02	.182 (4.6)
03	.191 (4.9)
04	.197 (5.0)
05	.167 (4.2)
06	.125 (3.2)
07	.218 (5.5)
09	.156 (4.0)
00	No Eyelet



**TABLE V: SPLIT RING STYLE C**

Dash No.	L Dia. ±.015 (0.4)	Dash No.	L Dia. ±.015 (0.4)
50	.425 (10.8)	74	1.625 (41.3)
52	.485 (12.3)	76	1.750 (44.5)
54	.640 (16.3)	78	1.875 (47.6)
56	.750 (19.1)	80	1.980 (50.3)
58	.890 (22.6)	82	2.060 (52.3)
60	1.015 (25.8)	84	2.235 (56.8)
62	1.095 (27.8)	86	2.310 (58.7)
64	1.130 (28.7)	88	2.475 (62.9)
66	1.250 (31.8)	90	2.655 (67.4)
68	1.350 (34.3)	92	2.810 (71.4)
70	1.390 (35.3)	94	3.045 (77.3)
72	1.485 (37.7)		

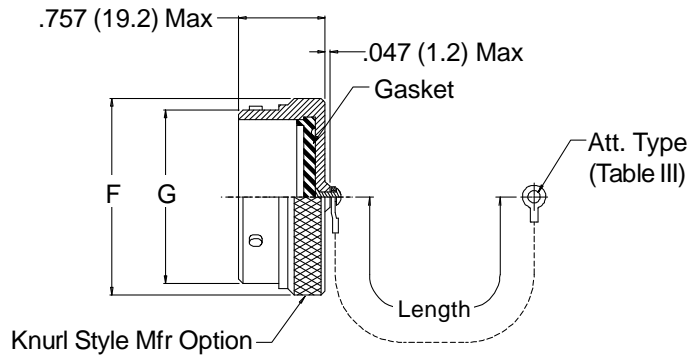
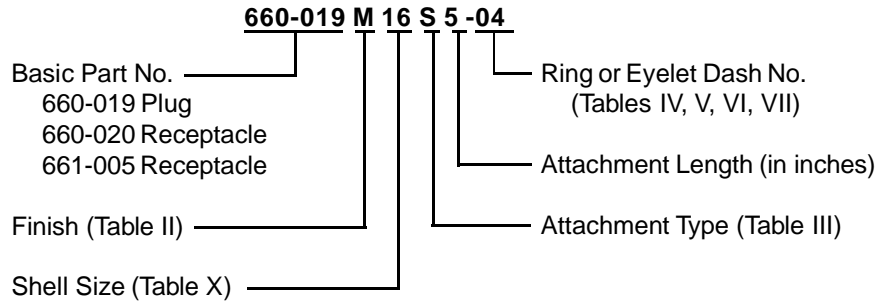
**TABLE VI: SOLID RING STYLE B**

Dash No.	M Dia. ±.015 (0.4)	Dash No.	M Dia. ±.015 (0.4)
08	.468 (11.9)	24	1.484 (37.7)
10	.593 (15.1)	25	1.577 (40.1)
12	.718 (18.2)	27	1.640 (41.7)
13	.765 (19.4)	28	1.687 (42.8)
14	.844 (21.4)	29	1.765 (44.8)
15	.890 (22.6)	30	1.890 (48.0)
16	.968 (24.6)	31	1.953 (49.6)
17	1.015 (25.8)	32	1.968 (50.0)
18	1.093 (27.8)	33	2.077 (52.8)
19	1.140 (29.0)	35	2.140 (54.4)
20	1.203 (30.6)	36	2.187 (55.5)
21	1.265 (32.1)	40	2.406 (61.1)
22	1.343 (34.1)	44	2.656 (67.5)
23	1.453 (36.9)	48	3.031 (77.0)
		118	.310 (7.9)

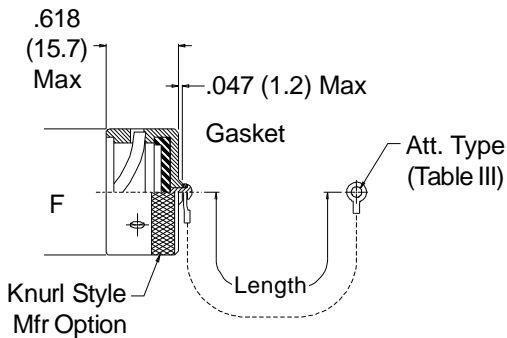
**TABLE VII: SOLID RING STYLE A**

Dash No.	N Dia. ±.015 (0.4)	Dash No.	N Dia. ±.015 (0.4)
095	.312 (7.9)	109	1.266 (32.2)
100	.391 (9.9)	209	1.312 (33.3)
101	.516 (13.1)	110	1.391 (35.3)
102	.583 (14.8)	210	1.438 (36.5)
103	.641 (16.3)	111	1.521 (38.6)
104	.708 (18.0)	211	1.536 (39.0)
105	.766 (19.5)	112	1.641 (41.7)
205	.788 (20.0)	113	1.766 (44.9)
106	.896 (22.2)	213	1.812 (46.0)
206	.907 (23.0)	114	1.891 (48.0)
107	1.016 (25.8)	214	1.938 (49.2)
207	1.025 (26.0)	115	2.078 (52.8)
108	1.141 (29.0)	116	2.406 (61.1)
308	1.188 (30.2)	117	2.510 (63.8)
208	1.203 (30.6)		

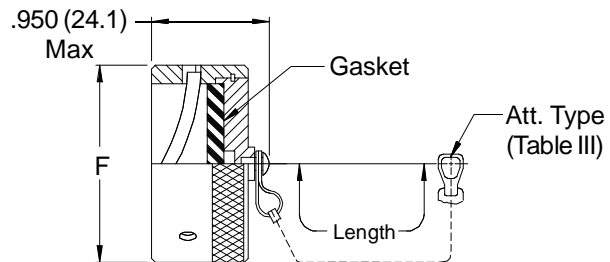
**MIL-C-83723  
 Series III  
 Bayonet**



**660-019 Plug Cover**



**660-020 Receptacle Cover**



**661-005 EMI/RFI Receptacle Cover**

**TABLE X: SHELL SIZE DIMENSIONS**

Shell Size	F Dia Max	G Dia
08	.776 (19.7)	.536 (13.6)
10	.906 (23.0)	.659 (16.7)
12	1.078 (27.4)	.829 (21.1)
14	1.141 (29.0)	.898 (22.8)
16	1.266 (32.2)	1.025 (26.0)
18	1.375 (34.9)	1.131 (28.7)
20	1.510 (38.4)	1.256 (31.9)
22	1.625 (41.3)	1.381 (35.1)
24	1.760 (44.7)	1.506 (38.3)

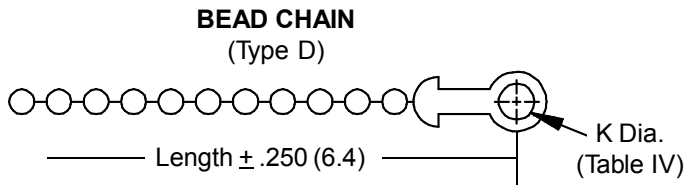
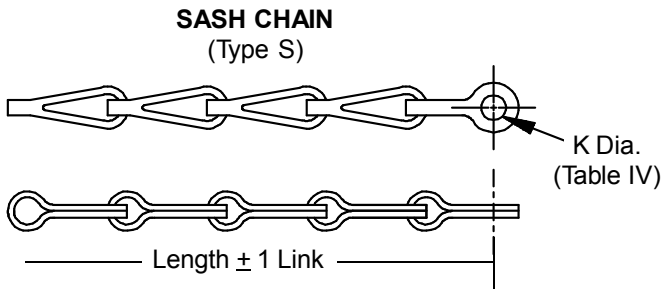
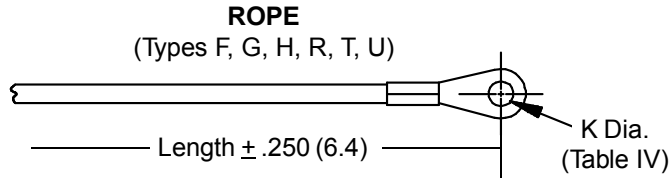
**See inside back cover fold-out or page 14 for Table II.**

Metric dimensions (mm) are indicated in parentheses.

660-019 (Plug) - 660-020 (Receptacle)  
 661-005 (EMI Receptacle)  
 Protective Covers  
 MIL-C-83723 Series III Bayonet



66 & 78

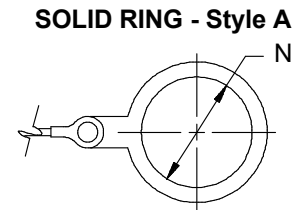
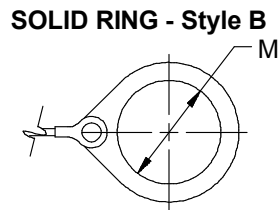
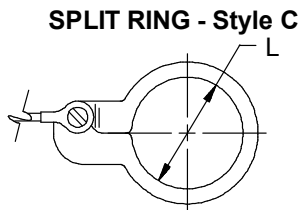


**TABLE III: ATTACHMENT**

Sym	Attachment Type
D	Bead Chain, Cres., Passivate
F	Wire Rope, Nylon Jacket
G	Nylon Rope
H	Wire Rope, Fluoropolymer Jacket
N	No Attachment
R	Wire Rope, PVC Jacket
S	#8 Sash Chain, Cres., Passivate
T	Wire Rope, No Jacket
U	Wire Rope, Polyurethane Jacket with Terminal

**TABLE IV: EYELET**

Dash No.	K DIA
01	.140 (3.6)
02	.182 (4.6)
03	.191 (4.9)
04	.197 (5.0)
05	.167 (4.2)
06	.125 (3.2)
07	.218 (5.5)
09	.156 (4.0)
00	No Eyelet



**TABLE V: SPLIT RING STYLE C**

Dash No.	L Dia. $\pm .015$ (0.4)	Dash No.	L Dia. $\pm .015$ (0.4)
50	.425 (10.8)	74	1.625 (41.3)
52	.485 (12.3)	76	1.750 (44.5)
54	.640 (16.3)	78	1.875 (47.6)
56	.750 (19.1)	80	1.980 (50.3)
58	.890 (22.6)	82	2.060 (52.3)
60	1.015 (25.8)	84	2.235 (56.8)
62	1.095 (27.8)	86	2.310 (58.7)
64	1.130 (28.7)	88	2.475 (62.9)
66	1.250 (31.8)	90	2.655 (67.4)
68	1.350 (34.3)	92	2.810 (71.4)
70	1.390 (35.3)	94	3.045 (77.3)
72	1.485 (37.7)		

**TABLE VI: SOLID RING STYLE B**

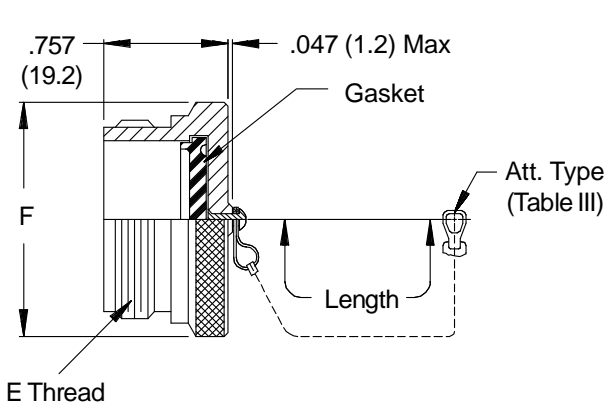
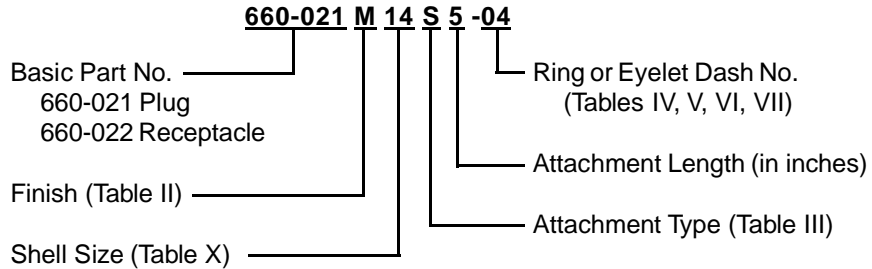
Dash No.	M Dia. $\pm .015$ (0.4)	Dash No.	M Dia. $\pm .015$ (0.4)
08	.468 (11.9)	24	1.484 (37.7)
10	.593 (15.1)	25	1.577 (40.1)
12	.718 (18.2)	27	1.640 (41.7)
13	.765 (19.4)	28	1.687 (42.8)
14	.844 (21.4)	29	1.765 (44.8)
15	.890 (22.6)	30	1.890 (48.0)
16	.968 (24.6)	31	1.953 (49.6)
17	1.015 (25.8)	32	1.968 (50.0)
18	1.093 (27.8)	33	2.077 (52.8)
19	1.140 (29.0)	35	2.140 (54.4)
20	1.203 (30.6)	36	2.187 (55.5)
21	1.265 (32.1)	40	2.406 (61.1)
22	1.343 (34.1)	44	2.656 (67.5)
23	1.453 (36.9)	48	3.031 (77.0)
		118	.310 (7.9)

**TABLE VII: SOLID RING STYLE A**

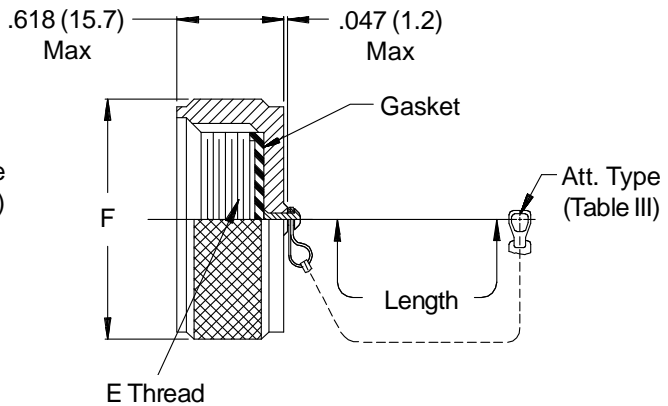
Dash No.	N Dia. $\pm .015$ (0.4)	Dash No.	N Dia. $\pm .015$ (0.4)
095	.312 (7.9)	109	1.266 (32.2)
100	.391 (9.9)	209	1.312 (33.3)
101	.516 (13.1)	110	1.391 (35.3)
102	.583 (14.8)	210	1.438 (36.5)
103	.641 (16.3)	111	1.521 (38.6)
104	.708 (18.0)	211	1.536 (39.0)
105	.766 (19.5)	112	1.641 (41.7)
205	.788 (20.0)	113	1.766 (44.9)
106	.896 (22.2)	213	1.812 (46.0)
206	.907 (23.0)	114	1.891 (48.0)
107	1.016 (25.8)	214	1.938 (49.2)
207	1.025 (26.0)	115	2.078 (52.8)
108	1.141 (29.0)	116	2.406 (61.1)
308	1.188 (30.2)	117	2.510 (63.8)
208	1.203 (30.6)		

**660-021 (Plug) - 660-022 (Receptacle)  
Protective Covers  
MIL-C-83723 Series III Threaded**

**MIL-C-83723  
Series III  
Threaded**



**660-021 Plug Cover**



**660-022 Receptacle Cover**

**TABLE X: SHELL SIZE DIMENSIONS**

Shell Size	E Thread Class 2A/2B	F Dia Max
08	9/16 - 24 UNEF	.776 (19.7)
10	11/16 - 24 UNEF	.906 (23.0)
12	7/8 - 20 UNEF	1.078 (27.4)
14	15/16 - 20 UNEF	1.141 (29.0)
16	1 1/16 - 18 UNEF	1.266 (32.2)
18	1 3/16 - 18 UNEF	1.375 (34.9)
20	1 5/16 - 18 UNEF	1.510 (38.4)
22	1 7/16 - 18 UNEF	1.625 (41.3)
24	1 9/16 - 18 UNEF	1.760 (44.7)

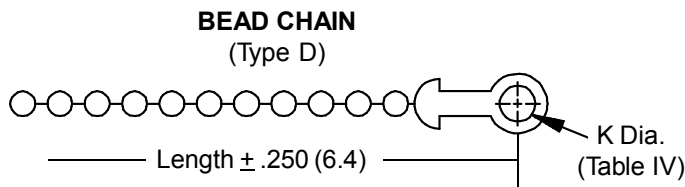
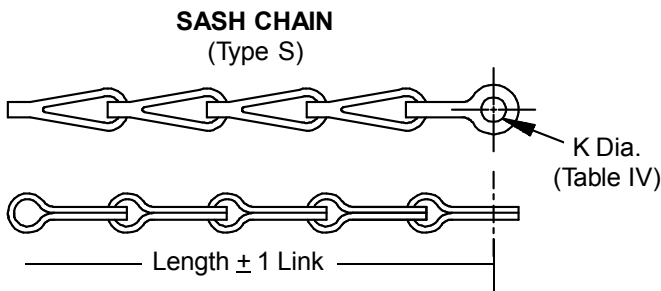
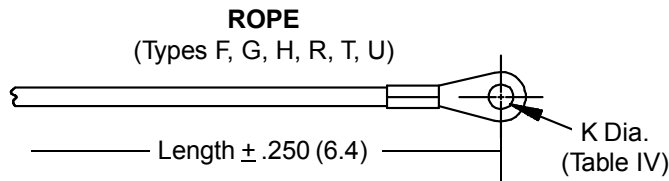
**See inside back cover fold-out or page 14 for Table II.**

Metric dimensions (mm) are indicated in parentheses.

**660-021 (Plug) - 660-022 (Receptacle)**  
**Protective Covers**  
**MIL-C-83723 Series III Threaded**



**66 & 78**

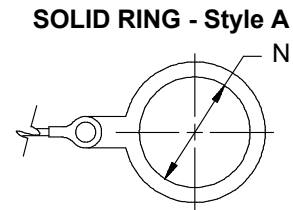
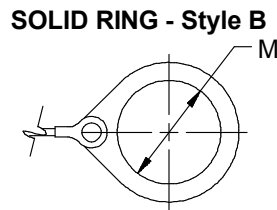
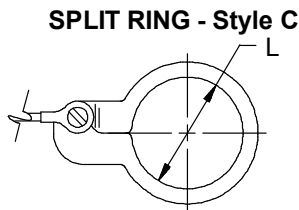


**TABLE III: ATTACHMENT**

Sym	Attachment Type
D	Bead Chain, Cres., Passivate
F	Wire Rope, Nylon Jacket
G	Nylon Rope
H	Wire Rope, Fluoropolymer Jacket
N	No Attachment
R	Wire Rope, PVC Jacket
S	#8 Sash Chain, Cres., Passivate
T	Wire Rope, No Jacket
U	Wire Rope, Polyurethane Jacket with Terminal

**TABLE IV: EYELET**

Dash No.	K DIA
01	.140 (3.6)
02	.182 (4.6)
03	.191 (4.9)
04	.197 (5.0)
05	.167 (4.2)
06	.125 (3.2)
07	.218 (5.5)
09	.156 (4.0)
00	No Eyelet



**TABLE V: SPLIT RING STYLE C**

Dash No.	L Dia. ±.015 (0.4)	Dash No.	L Dia. ±.015 (0.4)
50	.425 (10.8)	74	1.625 (41.3)
52	.485 (12.3)	76	1.750 (44.5)
54	.640 (16.3)	78	1.875 (47.6)
56	.750 (19.1)	80	1.980 (50.3)
58	.890 (22.6)	82	2.060 (52.3)
60	1.015 (25.8)	84	2.235 (56.8)
62	1.095 (27.8)	86	2.310 (58.7)
64	1.130 (28.7)	88	2.475 (62.9)
66	1.250 (31.8)	90	2.655 (67.4)
68	1.350 (34.3)	92	2.810 (71.4)
70	1.390 (35.3)	94	3.045 (77.3)
72	1.485 (37.7)		

**TABLE VI: SOLID RING STYLE B**

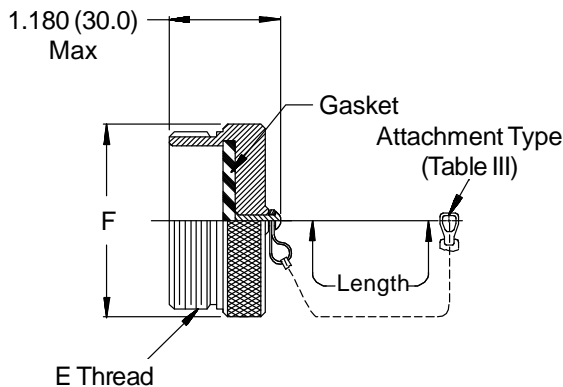
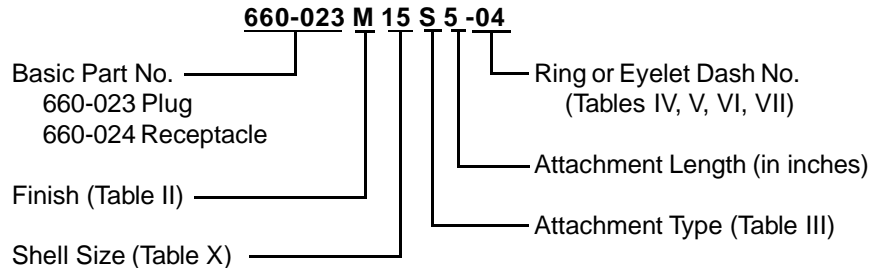
Dash No.	M Dia. ±.015 (0.4)	Dash No.	M Dia. ±.015 (0.4)
08	.468 (11.9)	24	1.484 (37.7)
10	.593 (15.1)	25	1.577 (40.1)
12	.718 (18.2)	27	1.640 (41.7)
13	.765 (19.4)	28	1.687 (42.8)
14	.844 (21.4)	29	1.765 (44.8)
15	.890 (22.6)	30	1.890 (48.0)
16	.968 (24.6)	31	1.953 (49.6)
17	1.015 (25.8)	32	1.968 (50.0)
18	1.093 (27.8)	33	2.077 (52.8)
19	1.140 (29.0)	35	2.140 (54.4)
20	1.203 (30.6)	36	2.187 (55.5)
21	1.265 (32.1)	40	2.406 (61.1)
22	1.343 (34.1)	44	2.656 (67.5)
23	1.453 (36.9)	48	3.031 (77.0)
		118	.310 (7.9)

**TABLE VII: SOLID RING STYLE A**

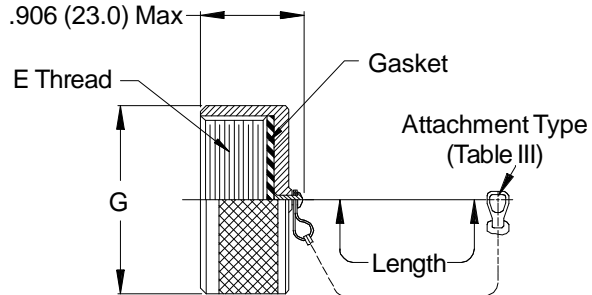
Dash No.	N Dia. ±.015 (0.4)	Dash No.	N Dia. ±.015 (0.4)
095	.312 (7.9)	109	1.266 (32.2)
100	.391 (9.9)	209	1.312 (33.3)
101	.516 (13.1)	110	1.391 (35.3)
102	.583 (14.8)	210	1.438 (36.5)
103	.641 (16.3)	111	1.521 (38.6)
104	.708 (18.0)	211	1.536 (39.0)
105	.766 (19.5)	112	1.641 (41.7)
205	.788 (20.0)	113	1.766 (44.9)
106	.896 (22.2)	213	1.812 (46.0)
206	.907 (23.0)	114	1.891 (48.0)
107	1.016 (25.8)	214	1.938 (49.2)
207	1.025 (26.0)	115	2.078 (52.8)
108	1.141 (29.0)	116	2.406 (61.1)
308	1.188 (30.2)	117	2.510 (63.8)
208	1.203 (30.6)		



**MIL-C-38999**  
**Series III**



**660-023 Plug Cover**



**660-024 Receptacle Cover**

**TABLE X: SHELL SIZE DIMENSIONS**

Shell Size	Shell Size Code Ref.	E Thread	F Max	G Max
09	A	.6250-0.1P-0.3L-TS	.906 (23.0)	.906 (23.0)
11	B	.7500-0.1P-0.3L-TS	1.024 (26.0)	1.102 (28.0)
13	C	.8750-0.1P-0.3L-TS	1.220 (31.0)	1.220 (31.0)
15	D	1.0000-0.1P-0.3L-TS	1.300 (33.0)	1.260 (32.0)
17	E	1.1875-0.1P-0.3L-TS	1.457 (37.0)	1.457 (37.0)
19	F	1.2500-0.1P-0.3L-TS	1.575 (40.0)	1.535 (39.0)
21	G	1.3750-0.1P-0.3L-TS	1.732 (44.0)	1.654 (42.0)
23	H	1.5000-0.1P-0.3L-TS	1.811 (46.0)	1.772 (45.0)
25	J	1.6250-0.1P-0.3L-TS	1.969 (50.0)	1.929 (49.0)

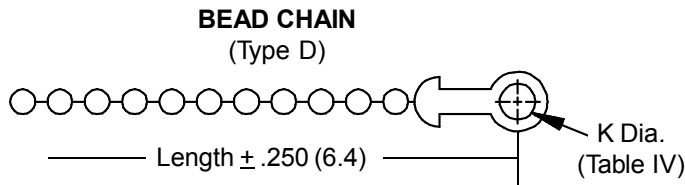
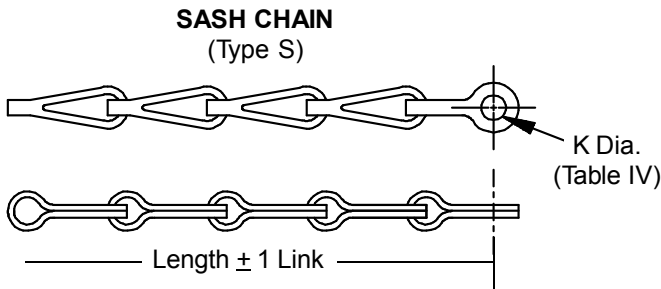
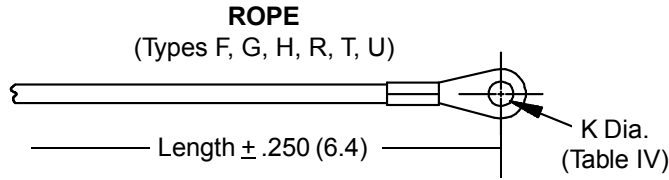
**See inside back cover fold-out or page 14 for Table II.**

Metric dimensions (mm) are indicated in parentheses.

**660-023 (Plug) - 660-024 (Receptacle)**  
**Protective Covers**  
**MIL-C-38999 Series III Threaded**



**66 & 78**

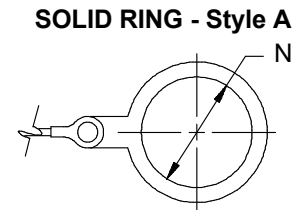
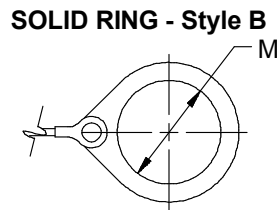
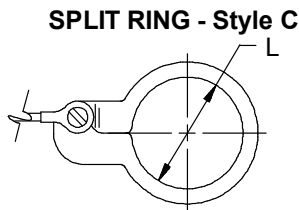


**TABLE III: ATTACHMENT**

Sym	Attachment Type
D	Bead Chain, Cres., Passivate
F	Wire Rope, Nylon Jacket
G	Nylon Rope
H	Wire Rope, Fluoropolymer Jacket
N	No Attachment
R	Wire Rope, PVC Jacket
S	#8 Sash Chain, Cres., Passivate
T	Wire Rope, No Jacket
U	Wire Rope, Polyurethane Jacket with Terminal

**TABLE IV: EYELET**

Dash No.	K DIA
01	.140 (3.6)
02	.182 (4.6)
03	.191 (4.9)
04	.197 (5.0)
05	.167 (4.2)
06	.125 (3.2)
07	.218 (5.5)
09	.156 (4.0)
00	No Eyelet



**TABLE V: SPLIT RING STYLE C**

Dash No.	L Dia. ±.015 (0.4)	Dash No.	L Dia. ±.015 (0.4)
50	.425 (10.8)	74	1.625 (41.3)
52	.485 (12.3)	76	1.750 (44.5)
54	.640 (16.3)	78	1.875 (47.6)
56	.750 (19.1)	80	1.980 (50.3)
58	.890 (22.6)	82	2.060 (52.3)
60	1.015 (25.8)	84	2.235 (56.8)
62	1.095 (27.8)	86	2.310 (58.7)
64	1.130 (28.7)	88	2.475 (62.9)
66	1.250 (31.8)	90	2.655 (67.4)
68	1.350 (34.3)	92	2.810 (71.4)
70	1.390 (35.3)	94	3.045 (77.3)
72	1.485 (37.7)		

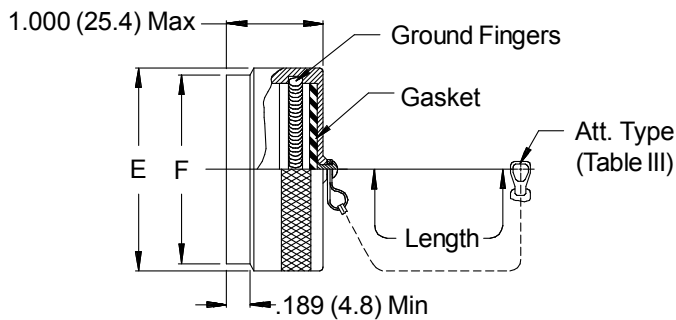
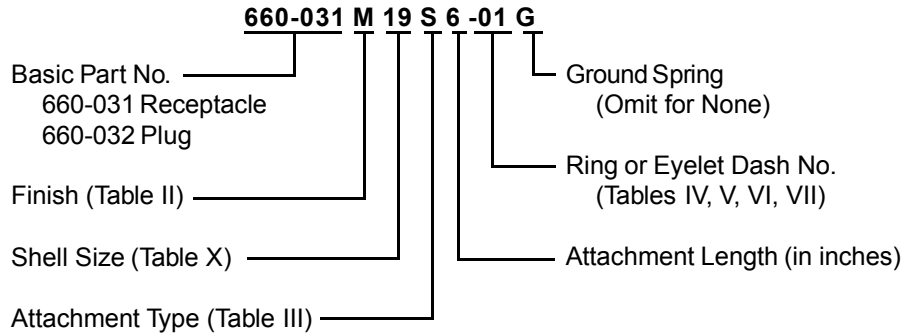
**TABLE VI: SOLID RING STYLE B**

Dash No.	M Dia. ±.015 (0.4)	Dash No.	M Dia. ±.015 (0.4)
08	.468 (11.9)	24	1.484 (37.7)
10	.593 (15.1)	25	1.577 (40.1)
12	.718 (18.2)	27	1.640 (41.7)
13	.765 (19.4)	28	1.687 (42.8)
14	.844 (21.4)	29	1.765 (44.8)
15	.890 (22.6)	30	1.890 (48.0)
16	.968 (24.6)	31	1.953 (49.6)
17	1.015 (25.8)	32	1.968 (50.0)
18	1.093 (27.8)	33	2.077 (52.8)
19	1.140 (29.0)	35	2.140 (54.4)
20	1.203 (30.6)	36	2.187 (55.5)
21	1.265 (32.1)	40	2.406 (61.1)
22	1.343 (34.1)	44	2.656 (67.5)
23	1.453 (36.9)	48	3.031 (77.0)
		118	.310 (7.9)

**TABLE VII: SOLID RING STYLE A**

Dash No.	N Dia. ±.015 (0.4)	Dash No.	N Dia. ±.015 (0.4)
095	.312 (7.9)	109	1.266 (32.2)
100	.391 (9.9)	209	1.312 (33.3)
101	.516 (13.1)	110	1.438 (36.5)
102	.583 (14.8)	210	1.438 (36.5)
103	.641 (16.3)	111	1.521 (38.6)
104	.708 (18.0)	211	1.536 (39.0)
105	.766 (19.5)	112	1.641 (41.7)
205	.788 (20.0)	113	1.766 (44.9)
106	.896 (22.2)	213	1.812 (46.0)
206	.907 (23.0)	114	1.891 (48.0)
107	1.016 (25.8)	214	1.938 (49.2)
207	1.025 (26.0)	115	2.078 (52.8)
108	1.141 (29.0)	116	2.406 (61.1)
308	1.188 (30.2)	117	2.510 (63.8)
208	1.203 (30.6)		

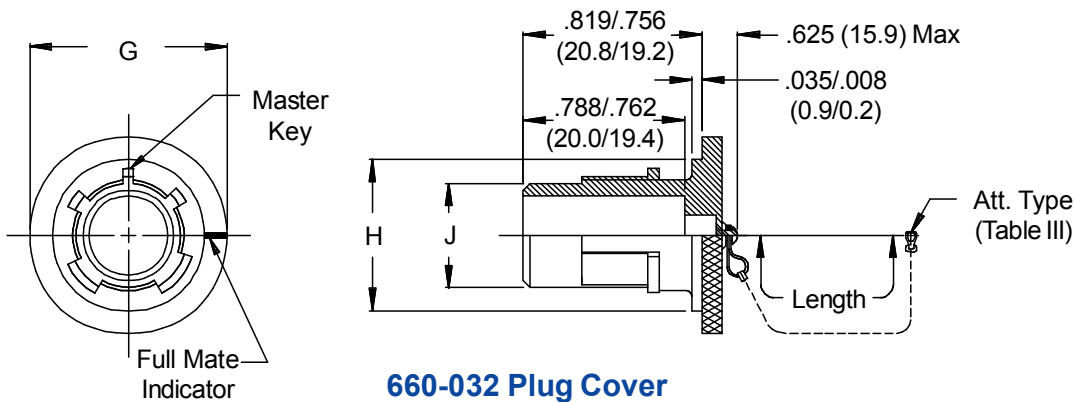
**MIL-C-38999  
 Series IV**



**660-031 Receptacle Cover**

**See inside back cover fold-out or page 14 for Table II.**

Metric dimensions (mm) are indicated in parentheses.

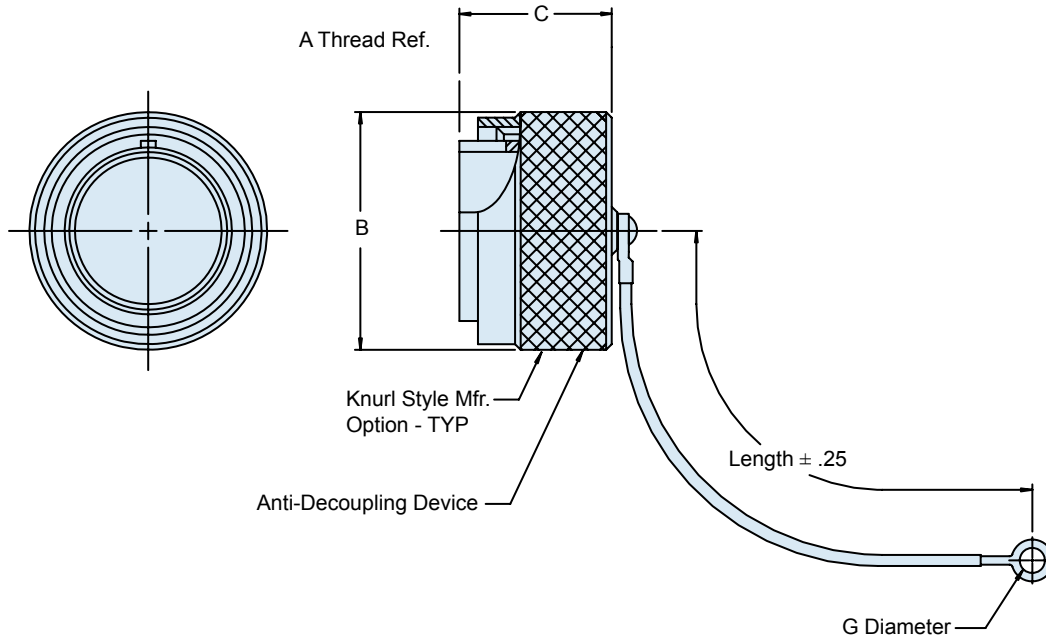
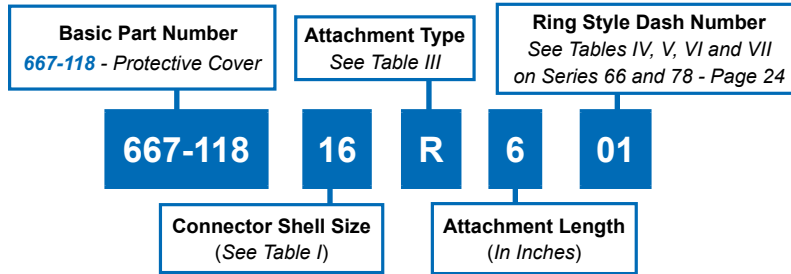


**660-032 Plug Cover**

**TABLE X: SHELL SIZE DIMENSIONS**

Shell Size	Shell Size Code Ref.	E Dia		F Dia		G Dia		H Dia		J Dia	
		Max	(mm)	Max	(mm)	Max	(mm)	+0.0 (-0.15)	(+0.0) (-0.4)	+0.0 (-0.15)	(+0.0) (-0.4)
11	B	.875	(22.2)	.775	(19.7)	1.180	(30.0)	.793	(20.1)	.509	(12.9)
13	C	1.000	(25.4)	.901	(22.9)	1.320	(33.5)	.919	(23.3)	.634	(16.1)
15	D	1.125	(28.6)	1.039	(26.4)	1.440	(36.6)	1.044	(26.5)	.759	(19.3)
17	E	1.250	(31.8)	1.150	(29.2)	1.560	(39.6)	1.170	(29.7)	.885	(22.5)
19	F	1.375	(34.9)	1.276	(32.4)	1.680	(42.7)	1.294	(32.9)	1.009	(25.6)
21	G	1.500	(38.1)	1.402	(35.6)	1.820	(46.2)	1.419	(36.0)	1.134	(28.8)
23	H	1.625	(41.3)	1.528	(38.8)	1.940	(49.3)	1.544	(39.2)	1.259	(32.0)
25	J	1.750	(44.5)	1.650	(41.9)	2.060	(52.3)	1.669	(42.4)	1.384	(35.2)

**667-118**  
**Protective Receptacle Cover**  
**for MIL-DTL-5015 Series Connectors**  
**with Anti-Decoupling Device**



**TABLE I: CONNECTOR SHELL SIZE**

Shell Size	A Thread	B Max	C Max
08	1/2-28	.844	1.13
10	5/8-24	.969	
12	3/4-20	1.062	
14	7/8-20	1.156	
16	1-20	1.250	
18	1 1/8-18	1.344	
20	1 1/4-18	1.469	
22	1 3/8-18	1.549	
24	1 1/2-18	1.719	
28	1 3/4-18	1.969	

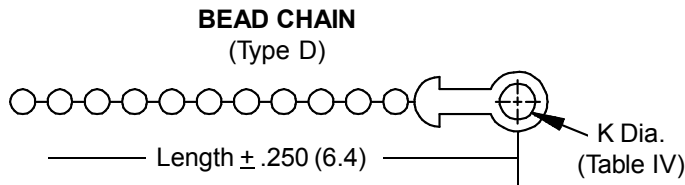
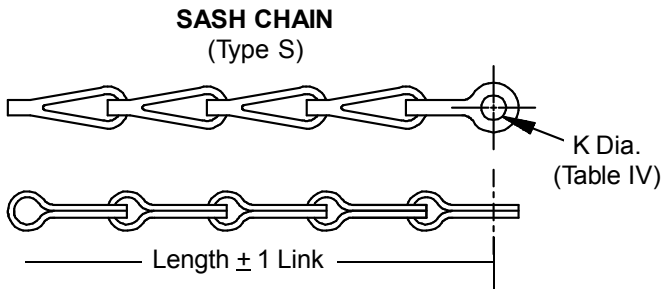
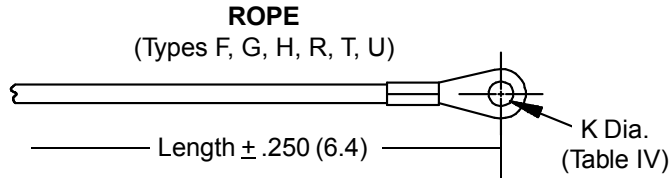
**TABLE III: ATTACHMENT**

Symbol	Attachment
F	Wire Rope, Nylon Jacket w/ Terminal
G	.094 Diameter Nylon Cord (black) w/ Loop Ends
H	Wire Rope, Teflon Jacket w/ Terminal
N	Attachment Omitted
R	Wire Rope, PVC Jacket w/ Terminal
T	Wire Rope, NO Jacket, w/ Terminal
K	Nylon Rope

Metric dimensions (mm) are in parentheses and are for reference only.



**660-031 (Receptacle) - 660-032 (Plug)**  
**Protective Covers**  
**MIL-C-38999 Series IV**

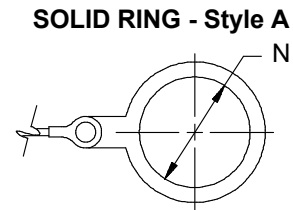
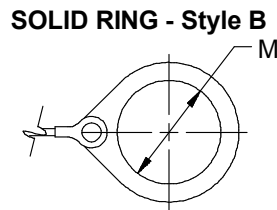
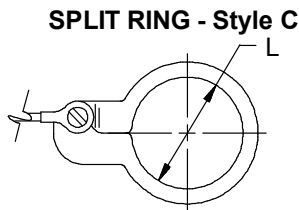


**TABLE III: ATTACHMENT**

Sym	Attachment Type
D	Bead Chain, Cres., Passivate
F	Wire Rope, Nylon Jacket
G	Nylon Rope
H	Wire Rope, Teflon Jacket
N	No Attachment
R	Wire Rope, PVC Jacket
S	#8 Sash Chain, Cres., Passivate
T	Wire Rope, No Jacket
U	Wire Rope, Polyurethane Jacket with Terminal

**TABLE IV: EYELET**

Dash No.	K DIA
01	.140 (3.6)
02	.182 (4.6)
03	.191 (4.9)
04	.197 (5.0)
05	.167 (4.2)
06	.125 (3.2)
07	.218 (5.5)
09	.156 (4.0)
00	No Eyelet



**TABLE V: SPLIT RING STYLE C**

Dash No.	L Dia. $\pm .015$ (0.4)	Dash No.	L Dia. $\pm .015$ (0.4)
50	.425 (10.8)	74	1.625 (41.3)
52	.485 (12.3)	76	1.750 (44.5)
54	.640 (16.3)	78	1.875 (47.6)
56	.750 (19.1)	80	1.980 (50.3)
58	.890 (22.6)	82	2.060 (52.3)
60	1.015 (25.8)	84	2.235 (56.8)
62	1.095 (27.8)	86	2.310 (58.7)
64	1.130 (28.7)	88	2.475 (62.9)
66	1.250 (31.8)	90	2.655 (67.4)
68	1.350 (34.3)	92	2.810 (71.4)
70	1.390 (35.3)	94	3.045 (77.3)
72	1.485 (37.7)		

**TABLE VI: SOLID RING STYLE B**

Dash No.	M Dia. $\pm .015$ (0.4)	Dash No.	M Dia. $\pm .015$ (0.4)
08	.468 (11.9)	24	1.484 (37.7)
10	.593 (15.1)	25	1.577 (40.1)
12	.718 (18.2)	27	1.640 (41.7)
13	.765 (19.4)	28	1.687 (42.8)
14	.844 (21.4)	29	1.765 (44.8)
15	.890 (22.6)	30	1.890 (48.0)
16	.968 (24.6)	31	1.953 (49.6)
17	1.015 (25.8)	32	1.968 (50.0)
18	1.093 (27.8)	33	2.077 (52.8)
19	1.140 (29.0)	35	2.140 (54.4)
20	1.203 (30.6)	36	2.187 (55.5)
21	1.265 (32.1)	40	2.406 (61.1)
22	1.343 (34.1)	44	2.656 (67.5)
23	1.453 (36.9)	48	3.031 (77.0)
		118	.310 (7.9)

**TABLE VII: SOLID RING STYLE A**

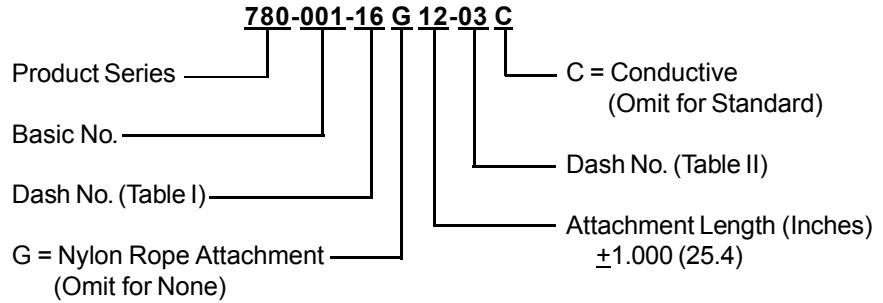
Dash No.	N Dia. $\pm .015$ (0.4)	Dash No.	N Dia. $\pm .015$ (0.4)
095	.312 (7.9)	109	1.266 (32.2)
100	.391 (9.9)	209	1.312 (33.3)
101	.516 (13.1)	110	1.391 (35.3)
102	.583 (14.8)	210	1.438 (36.5)
103	.641 (16.3)	111	1.521 (38.6)
104	.708 (18.0)	211	1.536 (39.0)
105	.766 (19.5)	112	1.641 (41.7)
205	.788 (20.0)	113	1.766 (44.9)
106	.896 (22.2)	213	1.812 (46.0)
206	.907 (23.0)	114	1.891 (48.0)
107	1.016 (25.8)	214	1.938 (49.2)
207	1.025 (26.0)	115	2.078 (52.8)
108	1.141 (29.0)	116	2.406 (61.1)
308	1.188 (30.2)	117	2.510 (63.8)
208	1.203 (30.6)		

**780-001 (Plug)**  
**"Mr. Bean" Protective Rubber Covers**  
**Universal Circular**

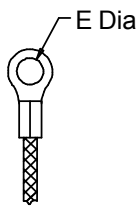
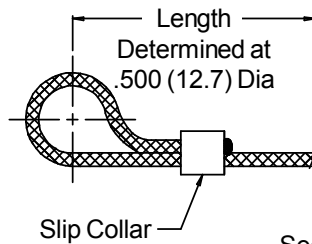


**66 & 78**

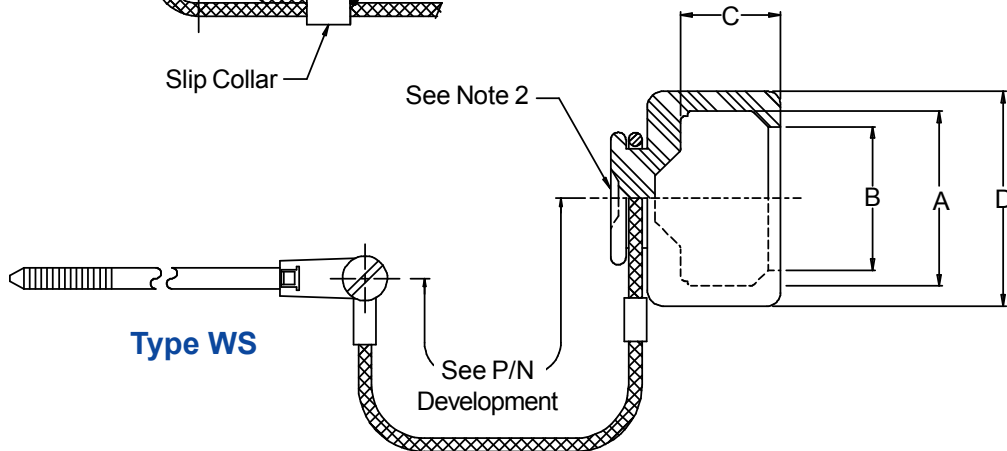
- MIL-C-38999**  
Series I, II, III
- MIL-DTL-5015**
- MIL-C-26482**  
SERIES I AND II
- MIL-DTL-83723**  
SERIES III
- MIL-C-81511**  
SERIES I, II, III AND IV
- MIL-C-28840**



**Type SK**



**Type WS**



**NOTES:**

1. Metric dimensions (mm) are indicated in parentheses.
2. This series of covers is similar to Bean Rubber BP Series, Same Dash No., ie: BP-16-WC equivalent to 780-001-16G12-09.
3. Standard material contains trace amounts of sulfur (a vulcanizing agent) which is known to contribute to degradation/corrosion of silver plated components such as braid, etc. Specify MOD Code suffix -675 for sulfur-free material.



*"To Protect and to Serve"*





## 780-001 (Plug) "Mr. Bean" Protective Rubber Covers Universal Circular

TABLE I: COVER DIMENSIONS

Dash No.	A Dia	B Dia	C Dim	D Dim
07	.440 (11.2)	.380 (9.7)	1.000 (25.4)	1.250 (31.8)
08	.780 (19.8)	.560 (14.2)	1.000 (25.4)	1.150 (29.2)
09	.850 (21.6)	.650 (16.5)	1.000 (25.4)	1.250 (31.8)
10	.890 (22.6)	.680 (17.3)	1.000 (25.4)	1.250 (31.8)
11	1.050 (26.7)	.830 (21.1)	1.000 (25.4)	1.560 (39.6)
12	1.060 (26.9)	.840 (21.3)	1.000 (25.4)	1.560 (39.6)
13	1.220 (31.0)	1.000 (25.4)	1.000 (25.4)	1.680 (42.7)
14	1.180 (30.0)	.960 (24.4)	1.000 (25.4)	1.680 (42.7)
15	1.350 (34.3)	1.130 (28.7)	1.000 (25.4)	1.810 (46.0)
16	1.310 (33.3)	1.090 (27.7)	1.000 (25.4)	1.810 (46.0)
17	1.480 (37.6)	1.260 (32.0)	1.000 (25.4)	2.040 (51.8)
18	1.420 (36.1)	1.170 (29.7)	1.000 (25.4)	2.040 (51.8)
19	1.580 (40.1)	1.360 (34.5)	1.250 (31.8)	2.180 (55.4)
20	1.560 (39.6)	1.340 (34.0)	1.250 (31.8)	2.180 (55.4)
21	1.710 (43.4)	1.490 (37.9)	1.250 (31.8)	2.310 (58.7)
22	1.680 (42.7)	1.440 (36.6)	1.250 (31.8)	2.310 (58.7)
23	1.830 (46.5)	1.610 (40.9)	1.250 (31.8)	2.430 (61.7)
24	1.800 (45.7)	1.590 (40.4)	1.250 (31.8)	2.430 (61.7)
25	1.960 (49.8)	1.740 (44.2)	1.250 (31.8)	2.680 (68.1)
26	1.900 (48.3)	1.730 (43.9)	1.250 (31.8)	2.680 (68.1)
27	2.160 (54.9)	1.750 (44.5)	1.250 (31.8)	2.680 (68.1)
28	2.060 (52.3)	1.840 (46.7)	1.250 (31.8)	2.680 (68.1)
32	2.310 (58.7)	2.130 (54.1)	1.250 (31.8)	2.680 (68.1)
36	2.560 (65.0)	2.320 (58.9)	1.250 (31.8)	3.180 (80.8)
38	2.760 (70.1)	2.500 (63.5)	1.250 (31.8)	3.200 (81.3)
40	2.810 (71.4)	2.580 (65.5)	1.250 (31.8)	3.480 (88.4)
44	3.060 (77.7)	2.840 (72.1)	1.560 (39.6)	3.580 (90.9)
48	3.310 (84.1)	3.090 (78.5)	1.560 (39.6)	3.870 (98.3)
50	3.000 (76.2)	2.870 (72.9)	1.560 (39.6)	3.570 (90.7)
52	3.750 (95.3)	3.460 (87.9)	1.300 (33.0)	4.270 (108.5)
-SADWG	.430 (10.9)	.360 (9.1)	.430 (10.9)	.750 (19.1)

TABLE II: ATTACHMENT

Dash No.	E Dia ±.010 (0.3)
00	No Terminal
01	.140 (3.6)
02	.182 (4.6)
03	.191 (4.9)
04	.197 (5.0)
05	.167 (4.2)
06	.125 (3.2)
07	.218 (5.5)
09	.156 (4.0)
WS	With Strap
SK	Slip Knot

Metric dimensions (mm)  
are indicated in  
parentheses.

TABLE III: CONNECTOR APPLICATION REFERENCE

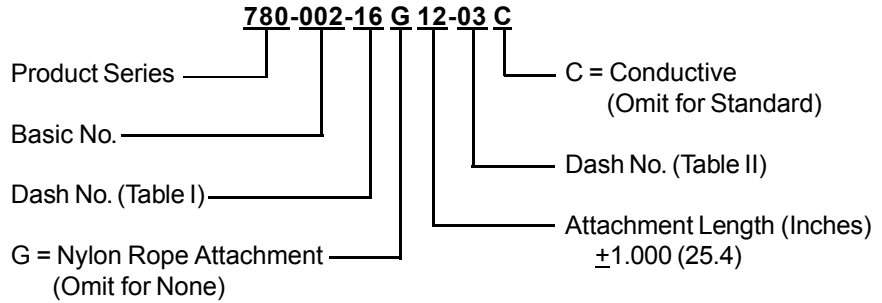
Dash No.	MIL-C-26482		MIL-DTL-38999		MIL-DTL-38999		MIL-DTL-83723		MIL-DTL-83723		MIL-C-81511	
	MIL-DTL-5015	Series I & II	Series I	Series II	Series III	Series III	Bayonet	Threaded	Series I, II, III, IV	MIL-C-28840		
08		8		8			8	8				
09	8 & 8S										8	
10		10		10		9		10				
11	10S, 10 SL		9			11				10	A (11)	
12	12, 12S	12	11	12			12	12				
13										14	B (13)	
14	14, 14S	14		14		13		14				
15	18		13							16	C (15)	
16	16, 16S	16		16		15		16				
17	20		15							18	D (17)	
18		18		18		17		18				
19	22		17								E (19)	
20		20		20		19		20		20	F (23)	
21	24		19									
22		22		22		21		22		22	G (25)	
23			21									
24		24		24		23		24		24		
25	28		23									
26						25				24	H (29)	
27			25								J (33)	
32	32											
36	36											
38	40											
48	48											
50	44											

780-002 (Receptacle)  
Mr. Bean Protective Rubber Covers  
Universal Circular

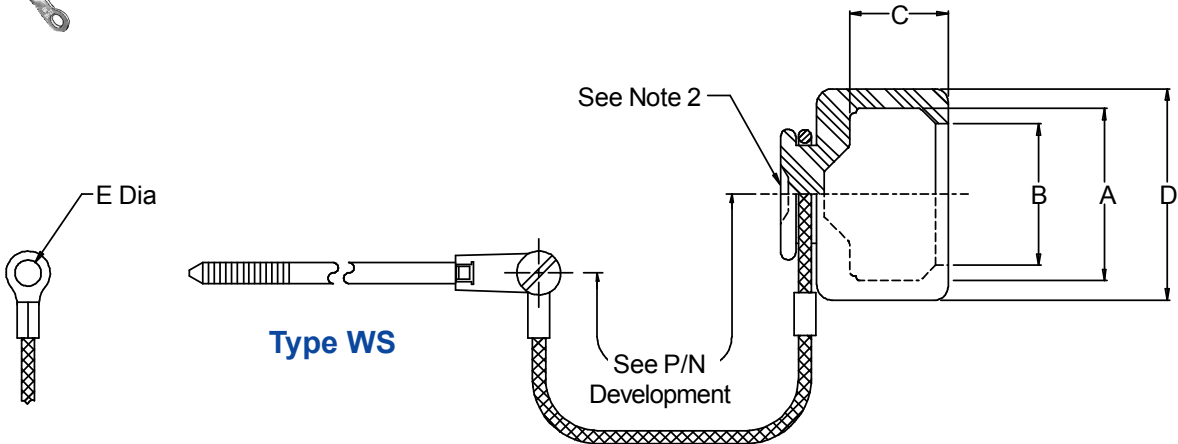
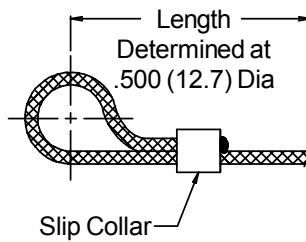


6 & 78

- MIL-C-38999  
Series I, II, III
- MIL-DTL-5015
- MIL-C-26482  
SERIES I AND II
- MIL-DTL-83723  
SERIES III
- MIL-C-81511  
SERIES I, II, III AND IV
- MIL-C-28840



Type SK



NOTES:

1. Metric dimensions (mm) are indicated in parentheses.
2. This series of covers is similar to Bean Rubber BP Series, Same Dash No., ie: BP-16-W equivalent to 780-002-16G12-09.
3. Standard material contains trace amounts of sulfur (a vulcanizing agent) which is known to contribute to degradation/corrosion of silver plated components such as braid, etc. Specify MOD Code suffix -675 for sulfur-free material.



*"To Protect  
and to Serve"*



## 780-002 (Receptacle) Mr. Bean Protective Rubber Covers Universal Circular

**TABLE I: COVER DIMENSIONS**

Dash No.	A Dia	B Dia	C Dim	D Dim	Bean Rubber Mfg Cross Ref No.
01	.160 (4.1)	N/A.220 (5.6)	.400 (10.2)	.750 (19.1)	N/A
02	.240 (6.1)	(5.6)	.400 (10.2)	.750 (19.1)	N/A
03	.320 (8.1)	.250 (6.4)	.300 (7.6)	.750 (19.1)	BP-3
04	.420 (10.7)	.390 (9.9)	.630 (16.0)	.750 (19.1)	BP-4
05	.370 (9.4)	.330 (8.4)	.500 (12.7)	.750 (19.1)	N/A
06	.470 (11.9)	.440 (11.2)	.630 (16.0)	.750 (19.1)	BP-6
07	.780 (19.8)	.560 (14.2)	.630 (16.0)	1.150 (29.2)	SBP-7
08	.780 (19.8)	.560 (14.2)	.630 (16.0)	1.150 (29.2)	SBP-8
09	.850 (21.6)	.650 (16.5)	.630 (16.0)	1.250 (31.8)	SBP-9
10	.890 (22.6)	.680 (17.3)	.630 (16.0)	1.250 (31.8)	SBP-10
11	1.050 (26.7)	.830 (21.1)	.630 (16.0)	1.560 (39.6)	SBP-11
12	1.060 (26.9)	.840 (21.3)	.630 (16.0)	1.560 (39.6)	SBP-12
13	1.220 (31.0)	1.000 (25.4)	.630 (16.0)	1.680 (42.7)	SBP-13
14	1.180 (30.0)	.960 (24.4)	.630 (16.0)	1.680 (42.7)	SBP-14
15	1.350 (34.3)	1.130 (28.7)	.630 (16.0)	1.810 (46.0)	SBP-15
16	1.310 (33.3)	1.090 (27.7)	.630 (16.0)	1.810 (46.0)	SBP-16
17	1.480 (37.6)	1.260 (32.0)	.630 (16.0)	2.040 (51.8)	SBP-17
18	1.420 (36.1)	1.210 (30.7)	.630 (16.0)	2.040 (51.8)	SBP-18
19	1.560 (39.7)	1.340 (34.0)	.630 (16.0)	2.150 (54.6)	SBP-19
20	1.560 (39.7)	1.340 (34.0)	.630 (16.0)	2.180 (55.4)	SBP-20
21	1.680 (42.7)	1.460 (37.1)	.630 (16.0)	2.310 (58.7)	SBP-21
22	1.680 (42.7)	1.460 (37.1)	.630 (16.0)	2.310 (58.7)	SBP-22
23	1.800 (45.7)	1.590 (40.4)	.690 (17.5)	2.430 (61.7)	SBP-23
24	1.800 (45.7)	1.590 (40.4)	.690 (17.5)	2.430 (61.7)	SBP-24
25	1.960 (49.8)	1.740 (44.2)	.690 (17.5)	2.580 (65.5)	SBP-25
26	1.900 (48.3)	1.710 (43.4)	.690 (17.5)	2.640 (67.1)	SBP-26
27	2.160 (54.9)	1.750 (44.5)	.690 (17.5)	2.580 (65.5)	SBP-27
28	2.050 (52.1)	1.580 (40.1)	.630 (16.0)	3.300 (83.8)	SBP-28
32	2.310 (58.7)	2.130 (54.1)	TBD	2.980 (75.7)	N/A
36	2.560 (65.0)	2.320 (58.9)	TBD	3.180 (80.8)	N/A
40	2.810 (71.4)	2.590 (65.8)	.690 (17.5)	3.430 (87.1)	SBP-40
50	3.000 (76.2)	2.870 (72.9)	TBD	3.570 (90.7)	N/A
12JA	.980 (24.9)	.840 (21.3)	.630 (16.0)	1.250 (31.8)	SBP-12JA

**TABLE II: ATTACHMENT**

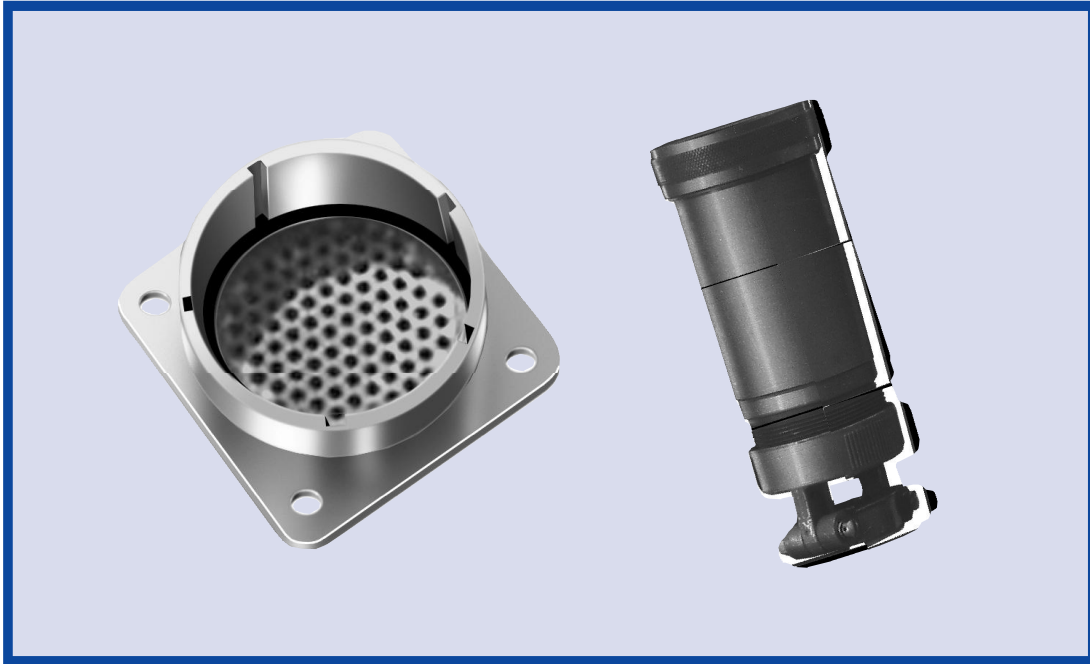
Dash No.	E Dia ±.010 (0.3)
00	No Terminal
01	.140 (3.6)
02	.182 (4.6)
03	.191 (4.9)
04	.197 (5.0)
05	.167 (4.2)
06	.125 (3.2)
07	.218 (5.5)
09	.156 (4.0)
WS	With Strap
SK	Slip Knot

Metric dimensions (mm)  
are indicated in  
parentheses.

**TABLE III: CONNECTOR APPLICATION REFERENCE**

Dash No.	MIL-C-26482		MIL-DTL-38999		MIL-DTL-38999		MIL-DTL-83723		MIL-DTL-83723		MIL-C-81511	
	MIL-DTL-5015	Series I & II	Series I	Series II	Series III	Series III	Series III	Series III	Series III	Series III	Series I, II, III, IV	MIL-C-28840
04	8 & 8S	8		8								
06		10	9	10			8	8		8		
08	10S, 10 SL		11		9		10	10		10		
09	12, 12S	12		12	11							A (11)
10			13									
11	14, 14S	14		14	13		12	12		14		B (13)
12			15				14	14				
13	18	18	17	18								D (17)
14	16, 16S	16		16	15		16	16		16		C (15)
15	20	20		20	19							
16			19		17		18	18		18		
17	22	22		22	21							
18			21				20	20		20		E (19)
19	24			22								
20			23		23		22	22		22		
21					25							G (25)
22		24	25	24			24	24		24		F (239)
23	28											
26												H (21)
28	32											J (33)
32	36											
36	40											
40	44											
50	48											

# Shipboard Interconnect Requirements?



## Glenair is MIL-C-28840 Qualified

The standard connector series for shipboard use, MIL-C-28840 offers high-density insert arrangement and high-shock performance. Glenair's qualified product line is now fully tooled and many popular part numbers are in stock, ready for same-day shipment. The MIL-C-28840 features RFI/EMI shielding, scoop-proof shells and corrosion-resistant materials and finishes. In addition to all the connector

types and styles, Glenair makes all the backshell accessory slash numbers as well. The addition of the MIL-C-28840 connector product line is part of Glenair's total commitment to meeting all your shipboard interconnect requirements. So when you think M28840, think Glenair—from connectors to accessories. Please call the factory, or see our website, for order information.



1211 Air Way  
Glendale, California 91201-2497  
Telephone: 818-247-6000 · Facsimile: 818-500-9912 · EMail: sales@glenair.com

United States · United Kingdom · Germany · Nordic · France · Spain · Italy

[www.glenair.com](http://www.glenair.com)

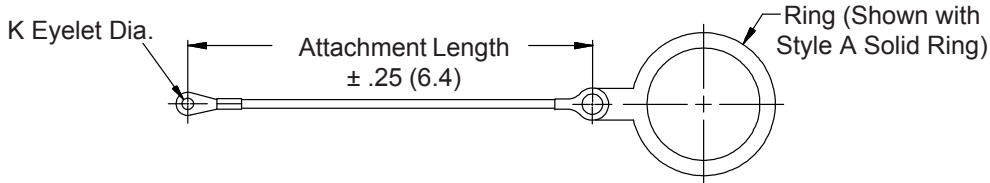


Glenair offers a broad choice of protective cover attachments.

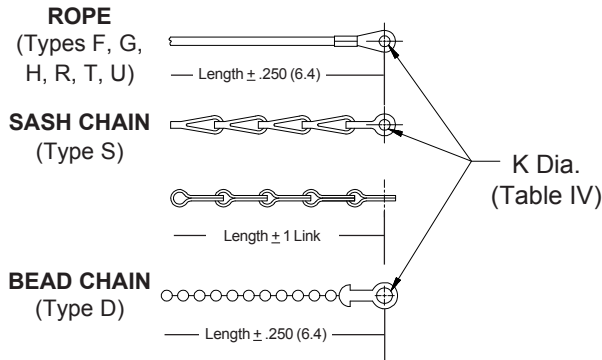
**670-001 R 01 -104 -4.25**

Basic Part No. — Attachment Type (Table III) — Ring or Eyelet Dash No. (Tables IV, V, VI, VII)

Attachment Length (in inches) — Ring or Eyelet Dash No. (Tables IV, V, VI, VII)

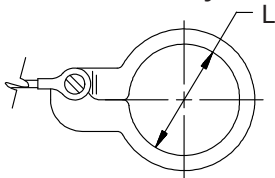


Sym	Attachment Type
D	Bead Chain, Cres., Passivate
F	Wire Rope, Nylon Jacket
G	Nylon Rope
H	Wire Rope, Teflon Jacket
R	Wire Rope, PVC Jacket
S	#8 Sash Chain, Cres., Passivate
T	Wire Rope, No Jacket
U	Wire Rope, Polyurethane Jacket with Terminal

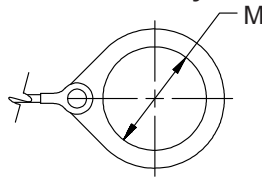


Dash No.	K DIA
01	.140 (3.6)
02	.182 (4.6)
03	.191 (4.9)
04	.197 (5.0)
05	.167 (4.2)
06	.125 (3.2)
07	.218 (5.5)
09	.156 (4.0)
00	No Eyelet

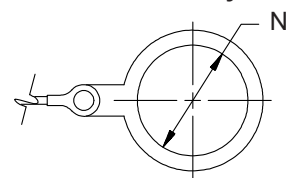
SPLIT RING - Style C



SOLID RING - Style B



SOLID RING - Style A



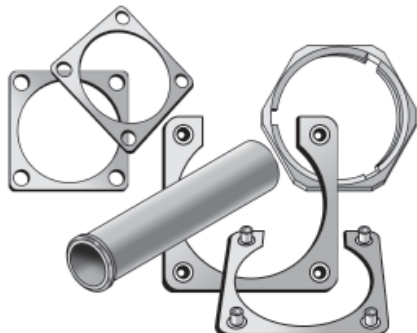
Dash No.	L Dia. $\pm .015$ (0.4)	Dash No.	L Dia. $\pm .015$ (0.4)
50	.425 (10.8)	74	1.625 (41.3)
52	.485 (12.3)	76	1.750 (44.5)
54	.640 (16.3)	78	1.875 (47.6)
56	.750 (19.1)	80	1.980 (50.3)
58	.890 (22.6)	82	2.060 (52.3)
60	1.015 (25.8)	84	2.235 (56.8)
62	1.095 (27.8)	86	2.310 (58.7)
64	1.130 (28.7)	88	2.475 (62.9)
66	1.250 (31.8)	90	2.655 (67.4)
68	1.350 (34.3)	92	2.810 (71.4)
70	1.390 (35.3)	94	3.045 (77.3)
72	1.485 (37.7)		

Dash No.	M Dia. $\pm .015$ (0.4)	Dash No.	M Dia. $\pm .015$ (0.4)
08	.468 (11.9)	24	1.484 (37.7)
10	.593 (15.1)	25	1.577 (40.1)
11	.265 (6.73)	27	1.640 (41.7)
12	.718 (18.2)	28	1.687 (42.8)
13	.765 (19.4)	29	1.765 (44.8)
14	.844 (21.4)	30	1.890 (48.0)
15	.890 (22.6)	31	1.953 (49.6)
16	.968 (24.6)	32	1.968 (50.0)
17	1.015 (25.8)	33	2.077 (52.8)
18	1.093 (27.8)	35	2.140 (54.4)
19	1.140 (29.0)	36	2.187 (55.5)
20	1.203 (30.6)	40	2.406 (61.1)
21	1.265 (32.1)	44	2.656 (67.5)
22	1.343 (34.1)	48	3.031 (77.0)
23	1.453 (36.9)		

Dash No.	N Dia. $\pm .015$ (0.4)	Dash No.	N Dia. $\pm .015$ (0.4)
095	.312 (7.9)	109	1.266 (32.2)
100	.391 (9.9)	209	1.312 (33.3)
101	.516 (13.1)	110	1.391 (35.3)
102	.583 (14.8)	210	1.438 (36.5)
103	.641 (16.3)	111	1.521 (38.6)
104	.708 (18.0)	211	1.536 (39.0)
105	.766 (19.5)	112	1.641 (41.7)
205	.788 (20.0)	113	1.766 (44.9)
106	.896 (22.2)	213	1.812 (46.0)
206	.907 (23.0)	114	1.891 (48.0)
107	1.016 (25.8)	214	1.938 (49.2)
207	1.025 (26.0)	115	2.078 (52.8)
108	1.141 (29.0)	116	2.406 (61.1)
308	1.188 (30.2)	117	2.510 (63.8)
208	1.203 (30.6)		

Metric dimensions (mm) are indicated in parentheses.





## PRODUCT TYPES

- Non-Metallic Protective Covers
- Gaskets and Nut-Plates
- Jam Nuts
- Banding Split Rings
- Potting Boots

## Interconnect hardware for every application requirement

### *Essential commercial and military standard hardware*

Can't find it anywhere else in the book? This section of the catalog includes miscellaneous accessories such as Jam Nuts, Potting Boots, Gaskets, Bushings and "Marshal Bean" Rubber Protective Covers for Circular Plug and Receptacle Connectors



Introducing Glenair "Mr. Bean" Protective Rubber Covers: Conductive and non-conductive rubber covers prevent finish damage between disengaged covers and equipment panels.

# 780-001 "Marshal Bean" Protective Rubber Cover for Circular Plug Connectors

**780-001-16 G 12 - 03 C**

Product Series \_\_\_\_\_

Basic Number \_\_\_\_\_

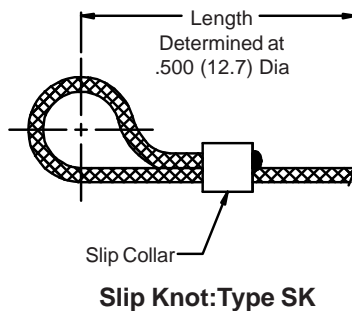
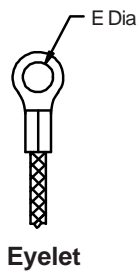
Shell Size (Table I) \_\_\_\_\_

Attachment Rope  
G = Nylon Rope  
(Omit for None) \_\_\_\_\_

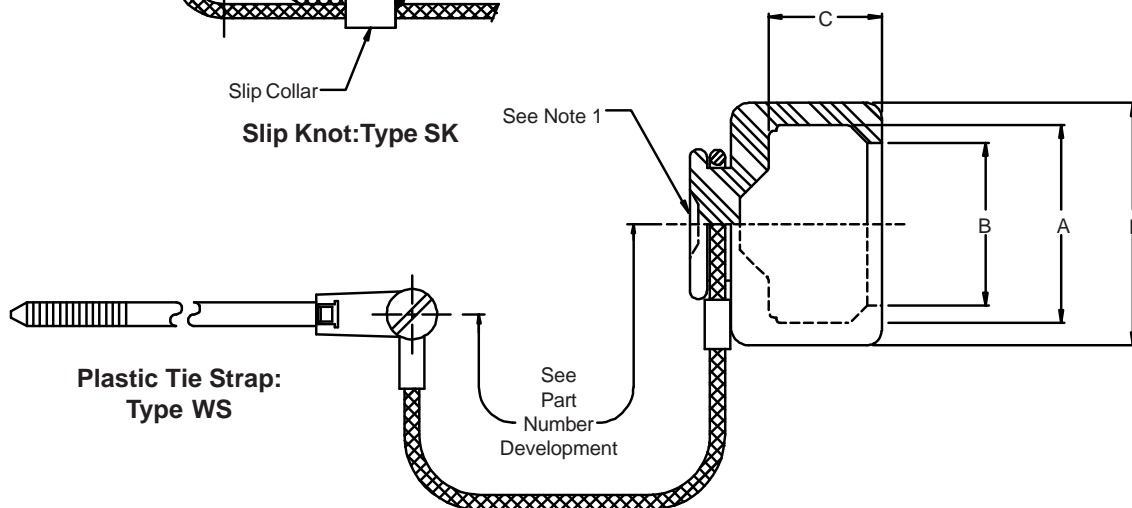
C = Conductive  
(Omit for Standard)

Attachment Type (Table II) \_\_\_\_\_

Attachment Length in Inches  
(± .250 [6.35] Inch) \_\_\_\_\_



*"To Protect  
and to Serve"*



### NOTES:

1. Cover identified in area shown.
2. Metric dimensions (mm) are indicated in parentheses.
3. This series of covers is similar to Bean Rubber Mfg. Co. BP Series, Same Dash Number, i.e.: BP-16-WC equivalent to 780-001-16G12-09.
4. Material/Finish: Cover - Neoprene/N.A.; Attachment - Nylon Cord/N.A.; Lanyard, Screw and Locknut - Cres/Passivated; Slip Bushing - Kynar/N.A.

# 780-001 "Marshal Bean" Protective Rubber Cover for Circular Plug Connectors



Miscellaneous  
Accessories

**TABLE I: SHELL SIZE**

Shell Size	A Dia	B Dia	C Dim	D Dia
07	.440 (11.2)	.380 (9.7)	1.000 (25.4)	1.250 (31.8)
08	.780 (19.8)	.560 (14.2)	1.000 (25.4)	1.150 (29.2)
09	.850 (21.6)	.650 (16.5)	1.000 (25.4)	1.250 (31.8)
10	.890 (22.6)	.680 (17.3)	1.000 (25.4)	1.250 (31.8)
11	1.050 (26.7)	.830 (21.1)	1.000 (25.4)	1.560 (39.6)
12	1.060 (26.9)	.840 (21.3)	1.000 (25.4)	1.560 (39.6)
13	1.220 (31.0)	1.000 (25.4)	1.000 (25.4)	1.680 (42.7)
14	1.180 (30.0)	.960 (24.4)	1.000 (25.4)	1.680 (42.7)
15	1.350 (34.3)	1.130 (28.7)	1.000 (25.4)	1.810 (46.0)
16	1.310 (33.3)	1.090 (27.7)	1.000 (25.4)	1.810 (46.0)
17	1.480 (37.6)	1.260 (32.0)	1.000 (25.4)	2.040 (51.8)
18	1.420 (36.1)	1.170 (29.7)	1.000 (25.4)	2.040 (51.8)
19	1.580 (40.1)	1.360 (34.5)	1.250 (31.8)	2.180 (55.4)
20	1.560 (39.6)	1.340 (34.0)	1.250 (31.8)	2.180 (55.4)
21	1.710 (43.4)	1.490 (37.9)	1.250 (31.8)	2.310 (58.7)
22	1.680 (42.7)	1.440 (36.6)	1.250 (31.8)	2.310 (58.7)
23	1.830 (46.5)	1.610 (40.9)	1.250 (31.8)	2.430 (61.7)
24	1.800 (45.7)	1.590 (40.4)	1.250 (31.8)	2.430 (61.7)
25	1.960 (49.8)	1.740 (44.2)	1.250 (31.8)	2.680 (68.1)
26	1.900 (48.3)	1.730 (43.9)	1.250 (31.8)	2.680 (68.1)
27	2.160 (54.9)	1.750 (44.5)	1.250 (31.8)	2.680 (68.1)
28	2.060 (52.3)	1.840 (46.7)	1.250 (31.8)	2.680 (68.1)
32	2.310 (58.7)	2.130 (54.1)	1.250 (31.8)	2.980 (75.7)
36	2.560 (65.0)	2.320 (58.9)	1.250 (31.8)	3.180 (80.8)
37	2.810 (71.4)	2.320 (58.9)	1.250 (31.8)	3.180 (80.8)
38	2.760 (70.1)	2.500 (63.5)	1.250 (31.8)	3.200 (81.3)
40	2.810 (71.4)	2.580 (65.5)	1.250 (31.8)	3.480 (88.4)
44	3.060 (77.7)	2.840 (72.1)	1.560 (39.6)	3.580 (90.9)
48	3.310 (84.1)	3.090 (78.5)	1.560 (39.6)	3.870 (98.3)
50	3.000 (76.2)	2.870 (72.9)	1.560 (39.6)	3.570 (90.7)
52	3.750 (95.3)	3.460 (87.9)	1.300 (33.0)	4.270 (108.5)
-SADWG	.430 (10.9)	.360 (9.1)	.430 (10.9)	.750 (19.1)

**TABLE II:  
ATTACHMENT  
TYPE**

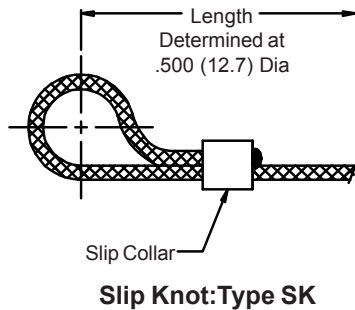
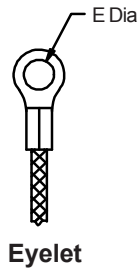
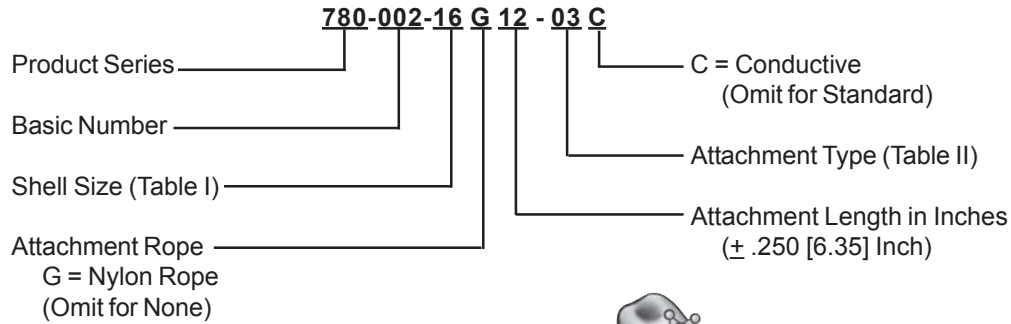
Dash No.	E Dia ±.010 (0.3)
00	No Terminal
01	.140 (3.6)
02	.182 (4.6)
03	.191 (4.9)
04	.197 (5.0)
05	.167 (4.2)
06	.125 (3.2)
07	.218 (5.5)
09	.156 (4.0)
WS	With Strap
SK	Slip Knot

Metric dimensions (mm) are indicated in parentheses.

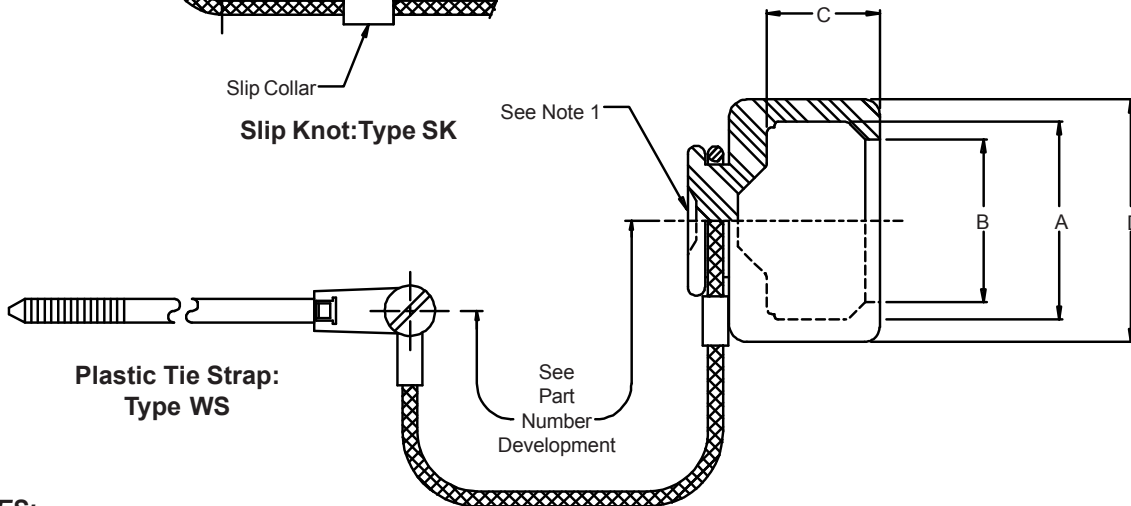
**CONNECTOR APPLICATION REFERENCE**

Shell Size	MIL-DTL-5015	MIL-C-26482 Series I & II	MIL-DTL-38999 Series I	MIL-DTL-38999 Series II	MIL-DTL-38999 Series III	MIL-DTL-83723 Series III Bayonet	MIL-DTL-83723 Series III Threaded	MIL-C-81511 Series I, II, III & IV	MIL-C-28840
08		8		8		8	8		
09	8, 8S							8	
10		10	9	10	9	10	10		
11	10S, 10SL		11		11			10	A (11)
12	12, 12S	12		12		12	12		
13								14	
14	14, 14S	14	13	14	13	14	14		B (13)
15	18							16	
16	16, 16S	16	15	16	15	16	16		C (15)
17	20							18	
18		18	17	18	17	18	18		D (17)
19	22								
20		20	19	20	19	20	20		E (19)
21	24								F (23)
22		22	21	22	21	22	22	20	
23									G (25)
24		24	23	24	23	24	24	22	
25	28								
26			25		25			24	
27									
32	32								H (29)
36	36								J (33)
38	40								
48	48								
50	44								

# 780-002 "Marshal Bean" Protective Rubber Cover for Circular Receptacle Connectors



*"To Protect  
and to Serve"*



**NOTES:**

1. Cover identified in area shown.
2. Metric dimensions (mm) are indicated in parentheses.
3. This series of covers is similar to Bean Rubber Mfg. Co. BP Series, Same Dash Number Except as noted in Table I), ie: SBP-16-WC equivalent to 780-002-16G12-09.
4. Material/Finish: Cover - 5BR blend/A.A.  
Lanyard, Screw and Locknut - Cres/Passivated; Slip Bushing - Kynar/N.A.
5. Standard material contains trace amounts of sulfur (a vulcanizing agent) which is known to contribute to degradation/corrosion of silver plated components such as braid, etc. Specify MOD Code suffix -678 for sulfur-free material.

# 780-002 "Marshal Bean" Protective Rubber Cover for Circular Receptacle Connectors



Miscellaneous  
Accessories

**TABLE I: SHELL SIZE**

Shell Size	A Dia	B Dia	C Dim	D Dia
01	.160 (4.1)	N/A	.400 (10.2)	.750 (19.1)
02	.240 (6.1)	.220 (5.6)	.400 (10.2)	.750 (19.1)
03	.320 (8.1)	.250 (6.4)	.300 (7.6)	.750 (19.1)
04	.420 (10.7)	.390 (9.9)	.630 (16.0)	.750 (19.1)
05	.370 (9.4)	.330 (8.4)	.500 (12.7)	.750 (19.1)
06	.470 (11.9)	.440 (11.2)	.630 (16.0)	.750 (19.1)
07	.780 (19.8)	.560 (14.2)	.630 (16.0)	1.150 (29.2)
08	.780 (19.8)	.560 (14.2)	.630 (16.0)	1.150 (29.2)
09	.850 (21.6)	.650 (16.5)	.630 (16.0)	1.250 (31.8)
10	.890 (22.6)	.680 (17.3)	.630 (16.0)	1.250 (31.8)
11	1.050 (26.7)	.830 (21.1)	.630 (16.0)	1.560 (39.6)
12	1.060 (26.9)	.840 (21.3)	.630 (16.0)	1.560 (39.6)
13	1.220 (31.0)	1.000 (25.4)	.630 (16.0)	1.680 (42.7)
14	1.180 (30.0)	.960 (24.4)	.630 (16.0)	1.680 (42.7)
15	1.350 (34.3)	1.130 (28.7)	.630 (16.0)	1.810 (46.0)
16	1.310 (33.3)	1.090 (27.7)	.630 (16.0)	1.810 (46.0)
17	1.480 (37.6)	1.260 (32.0)	.630 (16.0)	2.040 (51.8)
18	1.420 (36.1)	1.210 (30.7)	.630 (16.0)	2.040 (51.8)
19	1.560 (39.6)	1.340 (34.0)	.630 (16.0)	2.150 (54.6)
20	1.560 (39.6)	1.340 (34.0)	.630 (16.0)	2.180 (55.4)
21	1.680 (42.7)	1.460 (37.1)	.630 (16.0)	2.310 (58.7)
22	1.680 (42.7)	1.460 (37.1)	.630 (16.0)	2.310 (58.7)
23	1.800 (45.7)	1.590 (40.4)	.630 (16.0)	2.430 (61.7)
24	1.800 (45.7)	1.590 (40.4)	.630 (16.0)	2.430 (61.7)
25	1.960 (49.8)	1.740 (44.2)	.630 (16.0)	2.580 (65.5)
26	1.900 (48.3)	1.710 (43.4)	.630 (16.0)	2.640 (67.1)
27	2.160 (54.9)	1.750 (44.5)	.630 (16.0)	2.580 (65.5)
28	2.050 (52.1)	1.580 (40.1)	.630 (16.0)	3.300 (83.8)
32	2.310 (58.7)	2.130 (54.1)	TBD	2.980 (75.7)
36	2.560 (65.0)	2.320 (58.9)	TBD	3.180 (80.8)
40	2.810 (71.4)	2.590 (65.8)	.690 (17.5)	3.430 (87.1)
50	3.000 (76.2)	2.870 (72.9)	TBD	3.570 (90.7)
12JA	.980 (24.9)	.840 (21.3)	.630 (16.0)	1.250 (31.8)

**TABLE II:  
ATTACHMENT  
TYPE**

Dash No.	E Dia ±.010 (0.3)
00	No Terminal
01	.140 (3.6)
02	.182 (4.6)
03	.191 (4.9)
04	.197 (5.0)
05	.167 (4.2)
06	.125 (3.2)
07	.218 (5.5)
09	.156 (4.0)
WS	With Strap
SK	Slip Knot

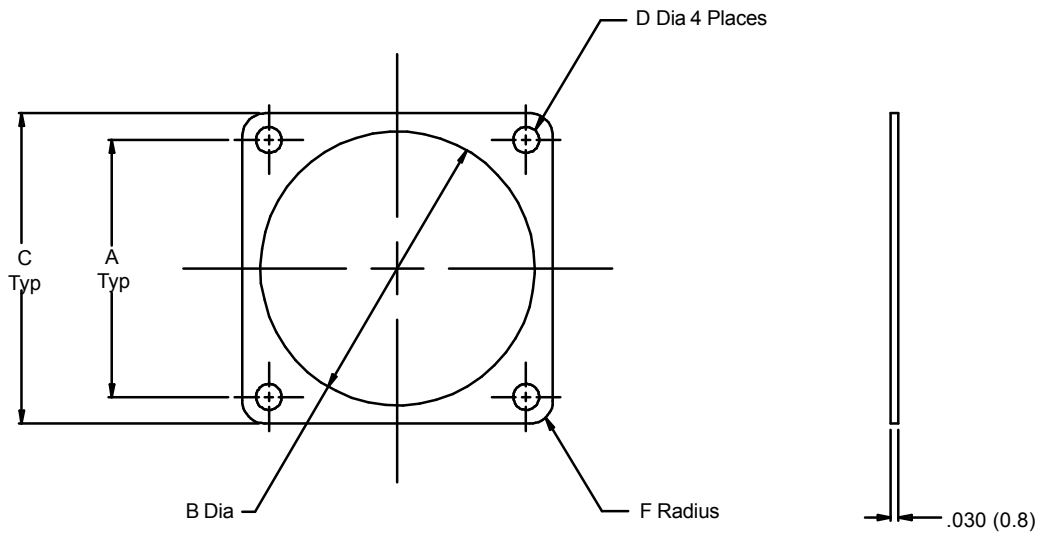
Metric dimensions (mm) are indicated in parentheses.

## CONNECTOR APPLICATION REFERENCE

Shell Size	MIL-DTL-5015	MIL-C-26482 Series I & II	MIL-DTL-38999 Series I	MIL-DTL-38999 Series II	MIL-DTL-38999 Series III	MIL-DTL-83723 Series III Bayonet	MIL-DTL-83723 Series III Threaded	MIL-C-81511 Series I, II, III & IV	MIL-C-28840
04	8, 8S	8		8					
06		10	9	10		8	8	8	
08	10S, 10SL		11		9	10	10	10	
09	12, 12S	12		12	11				A (11)
10			13						
11	14, 14S	14		14	13	12	12	14	B (13)
12			15			14	14		
13	18	18	17	18					D (17)
14	16, 16S	16		16	15	16	16	16	C (15)
15	20	20		20	19				
16			19		17	18	18	18	
17	22	22		22	21				E (19)
18			21			20	20	20	
19	24								
20			23		23	22	22	22	G (25)
21					25				F (23)
22		24	25	24		24	24	24	
23	28								H (29)
26									J (33)
28	32								
32	36								
36	40								
40	44								
50	48								

**930 - 001 F 02**

Product Series \_\_\_\_\_  
Basic Number \_\_\_\_\_  
Dash Number (Table I) \_\_\_\_\_  
Material Symbol (Table II) \_\_\_\_\_

**NOTES:**

1. Identified by bag and tag in suitable quantities.
2. Metric dimensions (mm) are indicated in parentheses.



**930-001**  
**Gasket for Flange Mount**  
**Receptacle Connector**



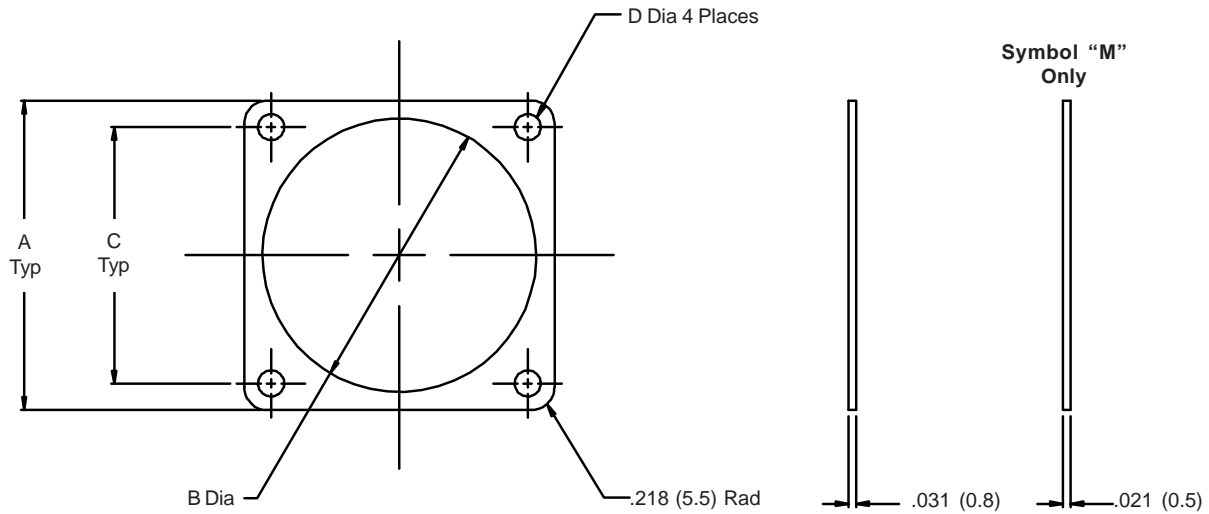
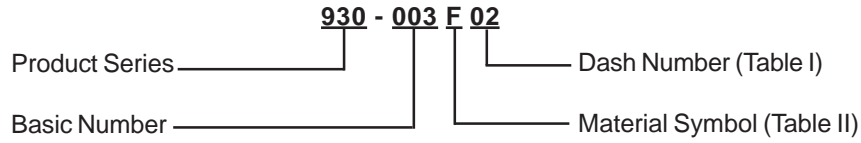
**TABLE I: DASH NUMBER**

Dash No.	MIL-DTL-26482, 26500, 83723		MIL-DTL-38999		A		B Dia		C		D Dia		F Rad	
	Series I & III NAS1599 B&T	Series I & II	Series III & IV	AS81703	±.005 (0.1)	±.007 (0.2)	±.008 (0.2)	±.005 (0.1)	±.015 (0.4)					
01	8	8	-	-	.595 (15.1)	.562 (14.3)	.812 (20.6)	.125 (3.2)	.105 (2.7)					
02	-	-	-	3	.625 (15.9)	.603 (15.3)	.896 (22.8)	.125 (3.2)	.105 (2.7)					
03	10	9 & 10	9	7	.719 (18.3)	.687 (17.4)	.937 (23.8)	.125 (3.2)	.105 (2.7)					
04	12	11 & 12	11	-	.812 (20.6)	.772 (19.6)	1.031 (26.2)	.125 (3.2)	.105 (2.7)					
05	-	-	-	12	.812 (20.6)	.828 (21.0)	1.114 (28.3)	.125 (3.2)	.105 (2.7)					
06	14	13 & 14	13	19	.906 (23.0)	.937 (23.8)	1.125 (28.6)	.125 (3.2)	.105 (2.7)					
07	16	15 & 16	15	27	.969 (24.6)	1.063 (27.0)	1.250 (31.8)	.125 (3.2)	.135 (3.4)					
08	18	17 & 18	17	-	1.062 (27.0)	1.187 (30.1)	1.343 (34.1)	.125 (3.2)	.135 (3.4)					
09	-	-	-	37	1.187 (30.1)	1.266 (32.2)	1.458 (37.0)	.125 (3.2)	.135 (3.4)					
10	20	19 & 20	19	-	1.156 (29.4)	1.312 (33.3)	1.467 (37.3)	.125 (3.2)	.135 (3.4)					
11	22	21 & 22	21	-	1.250 (31.8)	1.437 (36.5)	1.562 (39.7)	.125 (3.2)	.135 (3.4)					
12	24	23 & 24	23	-	1.375 (34.9)	1.562 (39.7)	1.703 (43.3)	.152 (3.9)	.135 (3.4)					
13	-	-	-	61	1.436 (36.5)	1.570 (39.9)	1.799 (45.7)	.125 (3.2)	.135 (3.4)					
14	-	25	25	-	1.500 (38.1)	1.600 (40.6)	1.812 (46.0)	.152 (3.9)	.135 (3.4)					

**TABLE II: MATERIAL**

Symbol	Material Description
<b>B</b>	Fluorosilicone with Silver Aluminum 84 Shore (Ref)
<b>C</b>	Conductive — Metex
<b>F</b>	Fluorosilicone
<b>M</b>	Conductive — Con-Sil II
<b>N</b>	Neoprene
<b>S</b>	Silicone
<b>V</b>	Viton

Metric Dimensions (mm) are indicated in parenthesis.



**NOTES:**

1. Identified by bag and tag in suitable quantities.
2. Metric dimensions (mm) are indicated in parentheses.

**930-003**  
**Gasket for MIL-C-22992 Class L**  
**Receptacle Connectors**



Miscellaneous  
 Accessories

**TABLE I: DASH NUMBER**

Dash No.	ESC Part No.	Shell Size MIL-C-22992		A		B		C		D	
		Class L	±.010	(0.3)	Dia	±.007	(0.2)	±.008	(0.2)		
01	229402-1	01	2.375	(15.1)	2.000	(14.3)	1.719	(20.6)	.177	(3.2)	
02	229402-2	02	2.625	(66.7)	2.250	(57.2)	1.906	(48.4)	.209	(5.3)	
03	229402-3	03	3.125	(79.4)	2.750	(69.9)	2.406	(61.1)	.281	(7.1)	
04	229402-4	04	3.375	(85.7)	3.000	(76.2)	2.656	(67.5)	.281	(7.1)	
05	229402-5	05	3.625	(66.7)	3.250	(82.6)	2.906	(73.8)	.281	(7.1)	
06	229402-6	06	3.875	(98.4)	3.500	(88.9)	3.156	(80.2)	.281	(7.1)	

**TABLE II: MATERIAL**

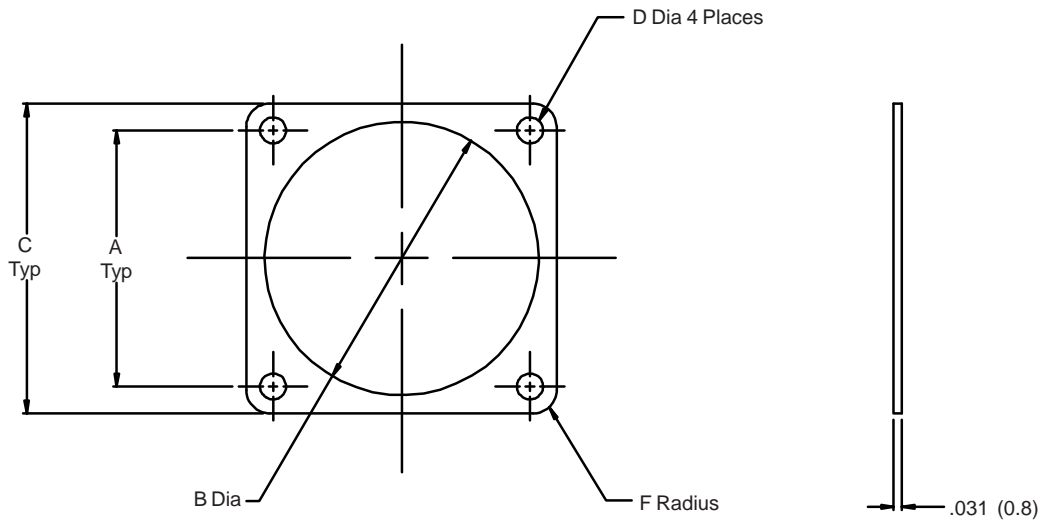
Symbol	Material Description
<b>C</b>	Conductive — Metex
<b>F</b>	Fluorosilicone
<b>M</b>	Conductive — Con-Sil II
<b>N</b>	Neoprene
<b>S</b>	Silicone

Metric Dimensions (mm) are indicated in parenthesis.

**930 - 004 F 10**

Product Series \_\_\_\_\_  
Basic Number \_\_\_\_\_

Dash Number (Table I) \_\_\_\_\_  
Material Symbol (Table II) \_\_\_\_\_

**NOTES:**

1. Identified by bag and tag in suitable quantities.
2. Metric dimensions (mm) are indicated in parentheses.

**930-004**  
**Gasket for MIL-DTL-5015 and MIL-C-22992**  
**Class C - J and R Receptacle Connectors**



**TABLE I: DASH NUMBER**

Dash No.	MIL-DTL-5015	MIL-C-22992		A		B Dia		C		D Dia		F Rad	
		Class C	J & R	±.010	(0.3)	+0.016 -0	(+0.4 -0)	+0.016 -0	(+0.4 -0)	±.010	(0.1)	±.010	(0.3)
1	8S	-	-	.594	(15.1)	.500	(12.7)	.875	(22.2)	.172	(4.4)	.141	(3.6)
2	10S & 10SL	-	-	.719	(18.3)	.625	(15.9)	1.000	(24.4)	.172	(4.4)	.141	(3.6)
3	12 & 12S	-	-	.812	(20.6)	.750	(19.1)	1.094	(27.8)	.172	(4.4)	.141	(3.6)
4	14 & 14S	12	-	.906	(23.0)	.875	(22.2)	1.188	(30.2)	.172	(4.4)	.141	(3.6)
5	16 & 16S	14	-	.969	(24.6)	1.000	(25.4)	1.281	(32.5)	.172	(4.4)	.156	(4.0)
6	18	16	-	1.062	(27.0)	1.125	(28.6)	1.375	(34.9)	.203	(5.2)	.156	(4.0)
7	20	18	-	1.156	(29.4)	1.250	(31.8)	1.500	(38.1)	.203	(5.2)	.172	(4.4)
8	22	20	-	1.250	(31.8)	1.375	(34.9)	1.625	(41.3)	.203	(5.2)	.188	(4.8)
9	24	22	-	1.375	(34.9)	1.500	(38.1)	1.750	(44.5)	.203	(5.2)	.188	(4.8)
10	28	24	-	1.562	(39.7)	1.750	(44.5)	2.000	(50.8)	.203	(5.2)	.219	(5.6)
11	28	-	-	2.188	(55.6)	1.750	(44.5)	2.688	(68.3)	.203	(5.2)	.250	(6.4)
12	32	28	-	1.750	(44.5)	2.000	(50.8)	2.250	(57.6)	.219	(5.6)	.250	(6.4)
13	36	32	-	1.938	(49.2)	2.188	(55.6)	2.500	(63.5)	.219	(5.6)	.281	(7.1)
14	40	36	-	1.188	(30.2)	2.438	(61.9)	2.750	(69.9)	.219	(5.6)	.281	(7.1)
15	18*	-	-	1.062	(27.0)	1.220	(31.0)	1.375	(34.9)	.203	(5.2)	.156	(4.0)

\*Fits Amphenol GT Series

**TABLE II: MATERIAL**

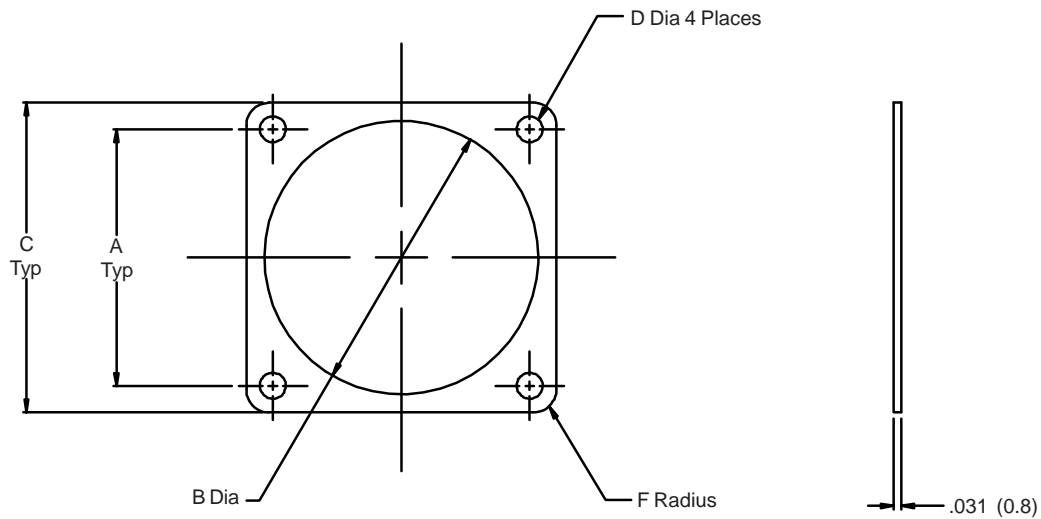
Symbol	Material Description
<b>C</b>	Conductive — Metex
<b>F</b>	Fluorosilicone
<b>M</b>	Conductive — Con-Sil II
<b>N</b>	Neoprene
<b>S</b>	Silicone

Metric Dimensions (mm) are indicated in parenthesis.

**930 - 005 F 10**

Product Series \_\_\_\_\_  
Basic Number \_\_\_\_\_

Dash Number (Table I) \_\_\_\_\_  
Material Symbol (Table II) \_\_\_\_\_

**NOTES:**

1. Identified by bag and tag in suitable quantities.
2. Metric dimensions (mm) are indicated in parentheses.



**930-005  
Gasket for MIL-C-81511  
Connectors**



Miscellaneous  
Accessories

**TABLE I: DASH NUMBER**

Dash No.	Shell Size MIL-C-81511	A		B Dia		C		D Dia		F Radius	
		$\pm.005$	(0.1)	$+.015$	$-.0$ (+0.4 -0)	$+.015$	$-.0$ (+0.4 -0)	$\pm.005$	(0.1)	$\pm.015$	(0.4)
8	8	.594	(15.1)	.555	(14.1)	.804	(20.4)	.125	(3.2)	.105	(2.7)
10	10	.719	(18.3)	.680	(17.3)	.929	(23.6)	.125	(3.2)	.105	(2.7)
14	14	.906	(23.0)	.930	(23.6)	1.117	(28.4)	.125	(3.2)	.105	(2.7)
16	16	.969	(24.6)	1.056	(26.8)	1.242	(31.5)	.125	(3.2)	.135	(3.4)
18	18	1.062	(27.0)	1.180	(30.0)	1.335	(33.9)	.125	(3.2)	.135	(3.4)
20	20	1.156	(29.4)	1.305	(33.1)	1.459	(37.1)	.125	(3.2)	.135	(3.4)
22	22	1.250	(31.8)	1.430	(36.3)	1.554	(39.5)	.125	(3.2)	.135	(3.4)
24	24	1.375	(34.9)	1.555	(39.5)	1.695	(43.1)	.152	(3.9)	.135	(3.4)

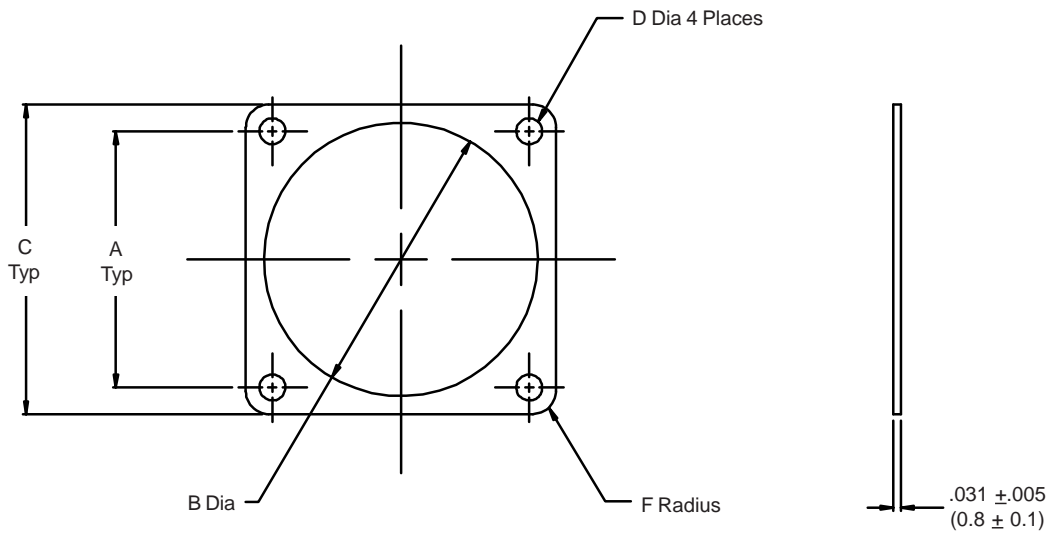
**TABLE II: MATERIAL**

Symbol	Material Description
<b>C</b>	Conductive — Metex
<b>F</b>	Fluorosilicone
<b>M</b>	Conductive — Con-Sil II
<b>N</b>	Neoprene
<b>S</b>	Silicone

Metric Dimensions (mm) are indicated in parenthesis.

**930 - 006 F 13**

Product Series \_\_\_\_\_ Shell Size (Table I)  
Basic Number \_\_\_\_\_ Material Symbol (Table II)

**NOTES:**

1. Identified by bag and tag in suitable quantities.
2. Metric dimensions (mm) are indicated in parentheses.

930-006  
Gasket for MIL-C-28840  
Connectors



Miscellaneous  
Accessories

**TABLE I: SHELL SIZE**

Shell Size	A		B Dia		C		D Dia		F Radius	
MIL-C-28840	$\pm.010$	(0.3)	$+.016$	$-.0$ (+0.4 -0)	$+.016$	$-.0$ (+0.4 -0)	$\pm.010$	(0.3)	$\pm.010$	(0.3)
11	.750	(19.1)	.750	(19.1)	1.023	(26.0)	.120	(3.0)	.141	(3.6)
13	.843	(21.4)	.875	(22.2)	1.138	(28.9)	.120	(3.0)	.141	(3.6)
15	.968	(24.6)	1.062	(27.0)	1.258	(32.0)	.120	(3.0)	.141	(3.6)
17	1.015	(25.8)	1.125	(28.6)	1.383	(35.1)	.120	(3.0)	.156	(4.0)
19	1.140	(29.0)	1.312	(33.3)	1.508	(38.3)	.120	(3.0)	.172	(4.4)
23	1.281	(32.5)	1.500	(38.1)	1.718	(43.6)	.120	(3.0)	.188	(4.8)
25	1.392	(35.4)	1.625	(41.3)	1.818	(46.2)	.147	(3.7)	.188	(4.8)
29	1.568	(39.2)	1.875	(47.6)	2.138	(54.3)	.147	(3.7)	.219	(5.6)
33	1.734	(44.0)	2.062	(52.4)	2.328	(59.1)	.173	(4.4)	.219	(5.6)

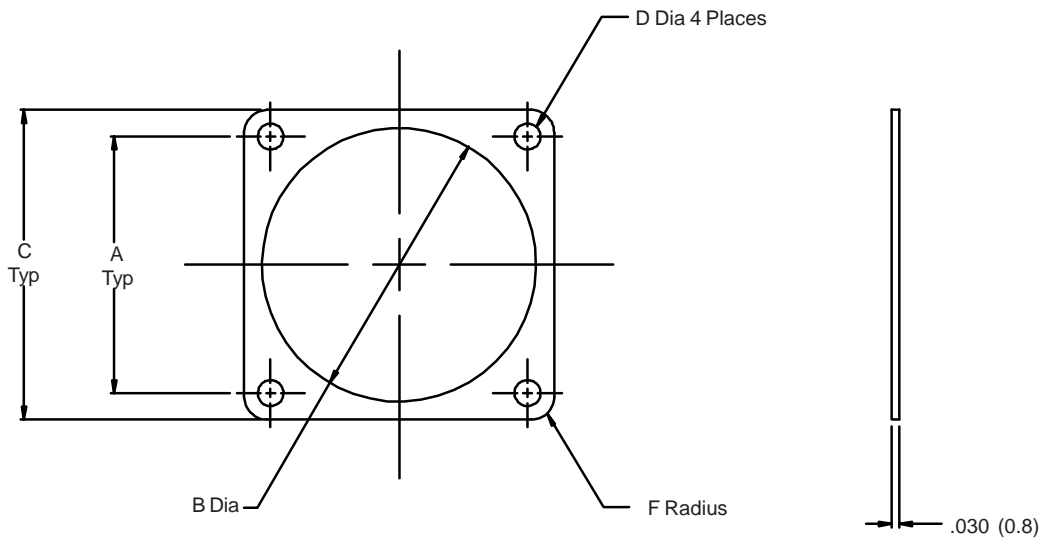
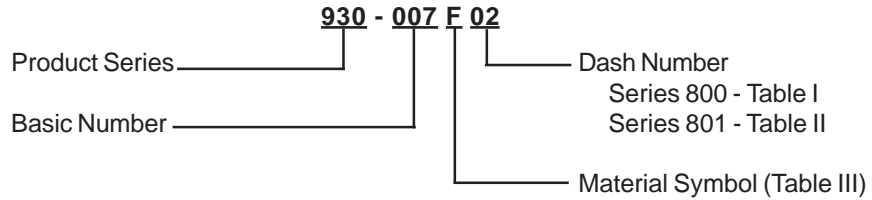
**TABLE II: MATERIAL**

Symbol	Material Description
F	Fluorosilicone
M	Conductive — Con-Sil II
N	Neoprene

Metric Dimensions (mm) are indicated in parenthesis.

## 930-007

### Gasket for Series 800 & 801 Flange Mount Receptacle Connector



**NOTES:**

1. Identified by bag and tag, 25 pieces maximum per bag.
2. Metric dimensions (mm) are indicated in parentheses.

**930-007**  
**Gasket for Series 800 & 801 Flange Mount**  
**Receptacle Connector**



Miscellaneous  
Accessories

**TABLE I: SERIES 800**

Dash No.	Series 800 Shell Size	A ±.005 (0.1)	B Dia ±.007 (0.2)	C ±.008 (0.2)	D Dia ±.005 (0.1)	F Rad ±.015 (0.4)
01	5	.363 (9.2)	.290 (7.4)	.527 (13.4)	.093 (2.4)	.078 (2.0)
02	6	.423 (10.7)	.350 (8.9)	.588 (14.9)	.093 (2.4)	.078 (2.0)
03	7	.483 (12.3)	.460 (11.7)	.650 (16.5)	.125 (3.2)	.078 (2.0)
04	8	.550 (14.0)	.530 (13.5)	.715 (18.2)	.125 (3.2)	.078 (2.0)
05	9	.719 (18.3)	.593 (15.1)	.938 (23.8)	.125 (3.2)	.105 (2.7)
06	12	.812 (20.6)	.718 (18.2)	1.031 (26.2)	.125 (3.2)	.105 (2.7)
07	14	.906 (23.0)	.968 (24.6)	1.125 (28.6)	.125 (3.2)	.105 (2.7)
08	15	.969 (24.6)	.968 (24.6)	1.219 (31.0)	.125 (3.2)	.105 (2.7)

**TABLE I: SERIES 801**

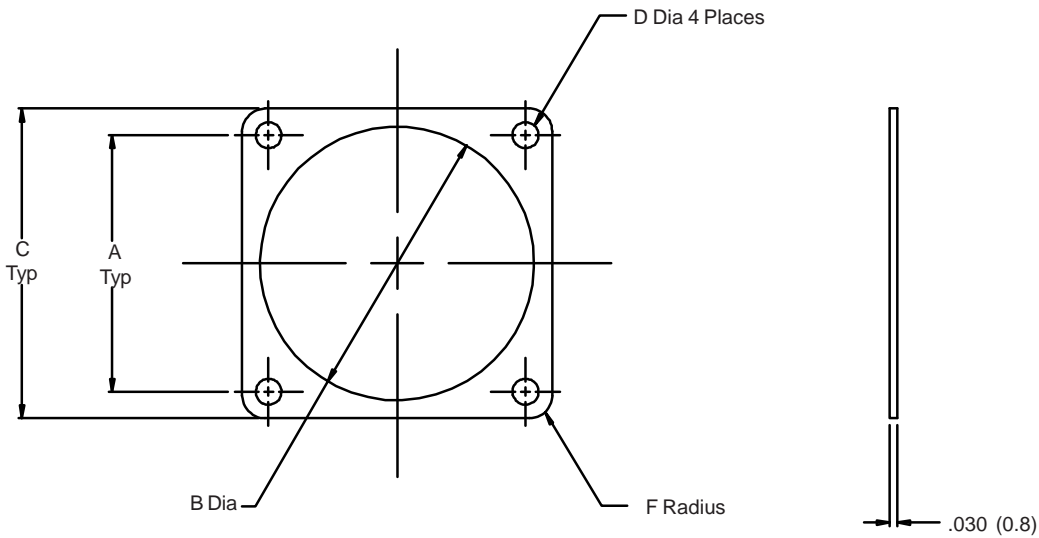
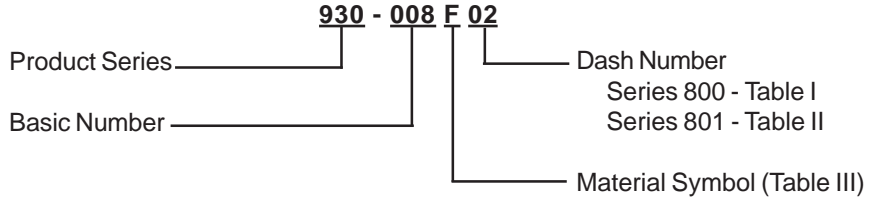
Dash No.	Series 801 Shell Size	A ±.005 (0.1)	B Dia ±.007 (0.2)	C ±.008 (0.2)	D Dia ±.005 (0.1)	F Rad ±.015 (0.4)
11	5	.363 (9.2)	.320 (8.1)	.530 (13.5)	.093 (2.4)	.078 (2.0)
12	6	.423 (10.7)	.375 (9.5)	.590 (15.0)	.093 (2.4)	.078 (2.0)
13	7	.483 (12.3)	.460 (11.7)	.650 (16.5)	.093 (2.4)	.078 (2.0)
14	-	-	-	-	-	-
15	9	.607 (15.4)	.560 (14.2)	.850 (21.6)	.125 (3.2)	.105 (2.7)
16	13	.812 (20.6)	.815 (20.7)	1.030 (26.2)	.125 (3.2)	.105 (2.7)
17	16	.981 (24.9)	1.010 (25.7)	1.219 (31.0)	.125 (3.2)	.105 (2.7)
18	17	1.060 (26.9)	1.070 (27.2)	1.280 (32.5)	.125 (3.2)	.105 (2.7)

**TABLE III: MATERIAL**

Symbol	Material Description	Color
<b>C</b>	Conductive — Metex	Off-White
<b>F</b>	Fluorosilicone	Blue
<b>M</b>	Conductive — Con-Sil II	Black
<b>N</b>	Neoprene	Black
<b>S</b>	Silicone	Red
<b>V</b>	Viton	Black

Metric Dimensions (mm) are indicated in parenthesis.

**930-008**  
**Gasket for Series 800 & 801 Flange Mount**  
**Receptacle Connector**



**NOTES:**

1. Identified by bag and tag, 25 pieces maximum per bag.
2. Metric dimensions (mm) are indicated in parentheses.



**930-008**  
**Gasket for Series 800 & 801 Flange Mount**  
**Receptacle Connector**



Miscellaneous  
 Accessories

**TABLE I: SERIES 800**

Dash No.	Series 800 Shell Size	A		B Dia		C		D Dia		F Rad	
		±.005	(0.1)	±.007	(0.2)	±.008	(0.2)	±.005	(0.1)	±.015	(0.4)
01	5	.363	(9.2)	.290	(7.4)	.527	(13.4)	.093	(2.4)	.078	(2.0)
02	6	.423	(10.7)	.350	(8.9)	.588	(14.9)	.093	(2.4)	.078	(2.0)
03	7	.483	(12.3)	.460	(11.7)	.650	(16.5)	.125	(3.2)	.078	(2.0)
04	8	.550	(14.0)	.530	(13.5)	.715	(18.2)	.125	(3.2)	.078	(2.0)
05	9	.719	(18.3)	.593	(15.1)	.938	(23.8)	.125	(3.2)	.105	(2.7)
06	12	.812	(20.6)	.718	(18.2)	1.031	(26.2)	.125	(3.2)	.105	(2.7)
07	14	.906	(23.0)	.968	(24.6)	1.125	(28.6)	.125	(3.2)	.105	(2.7)
08	15	.969	(24.6)	.968	(24.6)	1.219	(31.0)	.125	(3.2)	.105	(2.7)

**TABLE I: SERIES 801**

Dash No.	Series 801 Shell Size	A		B Dia		C		D Dia		F Rad	
		±.005	(0.1)	±.007	(0.2)	±.008	(0.2)	±.005	(0.1)	±.015	(0.4)
11	5	.363	(9.2)	.320	(8.1)	.530	(13.5)	.093	(2.4)	.078	(2.0)
12	6	.423	(10.7)	.375	(9.5)	.590	(15.0)	.093	(2.4)	.078	(2.0)
13	7	.483	(12.3)	.460	(11.7)	.650	(16.5)	.093	(2.4)	.078	(2.0)
14	-	-	-	-	-	-	-	-	-	-	-
15	9	.607	(15.4)	.560	(14.2)	.850	(21.6)	.125	(3.2)	.105	(2.7)
16	13	.812	(20.6)	.815	(20.7)	1.030	(26.2)	.125	(3.2)	.105	(2.7)
17	16	.981	(24.9)	1.010	(25.7)	1.219	(31.0)	.125	(3.2)	.105	(2.7)
18	17	1.060	(26.9)	1.070	(27.2)	1.280	(32.5)	.125	(3.2)	.105	(2.7)

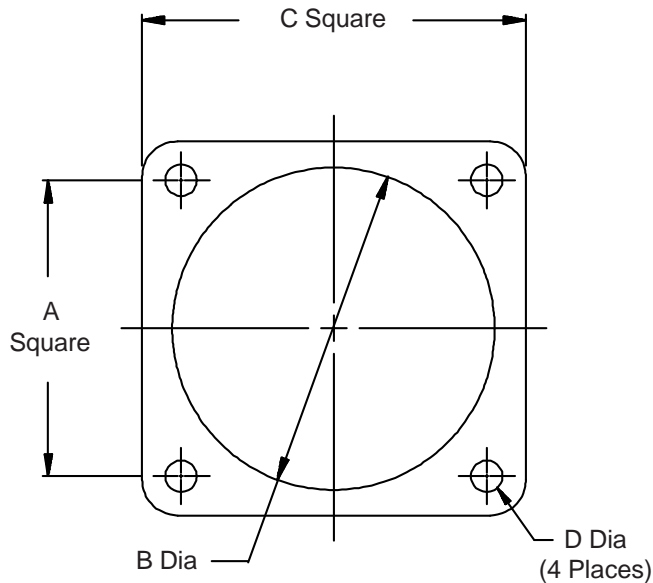
**TABLE III: MATERIAL**

Symbol	Material Description	Color
<b>C</b>	Conductive — Metex	Off-White
<b>F</b>	Fluorosilicone	Blue
<b>M</b>	Conductive — Con-Sil II	Black
<b>N</b>	Neoprene	Black
<b>S</b>	Silicone	Red
<b>V</b>	Viton	Black

Metric Dimensions (mm) are indicated in parenthesis.

**M28840/24 G A**

Basic Part No. \_\_\_\_\_ Material \_\_\_\_\_  
 Designator \_\_\_\_\_ A = Fluorinated Silicone  
 B = EMI Shielding - Rubber


**TABLE I**

Designator	Shell Size	A Sq.		B Dia		C Sq.		D Dia	
		$\pm.010$	(.3)	$\pm.008$	(.2)	$\pm.008$	(.2)	$\pm.010$	(.3)
A	11	.750	(19.1)	.758	(19.3)	1.031	(26.2)	.120	(3.0)
B	13	.843	(21.4)	.883	(22.4)	1.146	(29.1)	.120	(3.0)
C	15	.968	(24.6)	1.070	(27.2)	1.266	(32.2)	.120	(3.0)
D	17	1.015	(25.8)	1.133	(28.8)	1.391	(35.3)	.120	(3.0)
E	19	1.140	(29.0)	1.320	(33.5)	1.516	(38.5)	.120	(3.0)
F	23	1.281	(32.5)	1.508	(38.3)	1.726	(43.8)	.120	(3.0)
G	25	1.392	(35.4)	1.633	(41.5)	1.826	(46.4)	.147	(3.7)
H	29	1.568	(39.8)	1.883	(47.8)	2.146	(54.5)	.147	(3.7)
J	33	1.734	(44.0)	2.070	(52.6)	2.336	(59.3)	.173	(4.4)

1. For complete dimensions see applicable Military Specification.
2. Metric dimensions (mm) are indicated in parentheses.

# AS85049/94 Mounting Flange, Full Perimeter



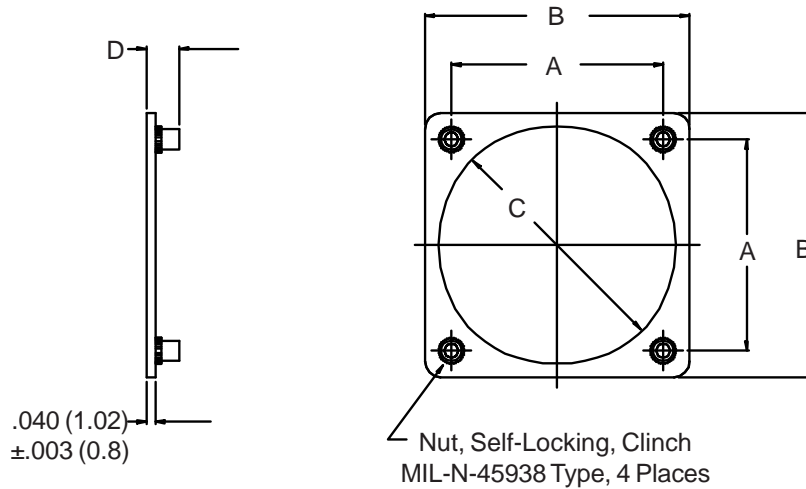
Miscellaneous  
Accessories

**M85049/94-10-A**

Basic Part No.

Shell Size

A = Primer Coat  
Required



**TABLE I**

Shell Size	Thread UNJC-3B	A ±.015 (0.38)	B Max	C ±.015 (.4)	D
8	4-40	.594 (15.1)	.980 (24.9)	.570 (14.5)	.106 (.166)
10	4-40	.719 (18.3)	1.034 (26.3)	.720 (18.3)	.106 (.166)
12	4-40	.812 (20.6)	1.119 (28.4)	.855 (21.7)	.106 (.166)
14	4-40	.906 (23.0)	1.213 (30.8)	.984 (25.0)	.106 (.166)
16	4-40	.969 (24.6)	1.295 (32.9)	1.094 (27.8)	.106 (.166)
18	4-40	1.062 (27.0)	1.421 (36.1)	1.220 (31.0)	.106 (.166)
20	4-40	1.156 (29.4)	1.550 (39.4)	1.345 (34.2)	.106 (.166)
22	4-40	1.250 (31.8)	1.680 (42.7)	1.478 (37.5)	.106 (.166)
24	6-32	1.375 (34.9)	1.800 (45.7)	1.595 (40.5)	.123 (.183)
25	6-32	1.500 (38.1)	1.910 (48.5)	1.658 (42.1)	.123 (.183)

1. For complete dimensions see applicable Military Specification.
2. Metric dimensions (mm) are indicated in parentheses.

Basic  
Part Number

A = Primer Coat  
Required

**M85049/95 - 10A - A**

Shell Size  
and Class

### APPLICATION NOTES

1. Assembly identified with manufacturer's name and part number, space permitting.
2. For complete dimensions, see the applicable Military Specification.
3. Metric dimensions (mm) are in parentheses.

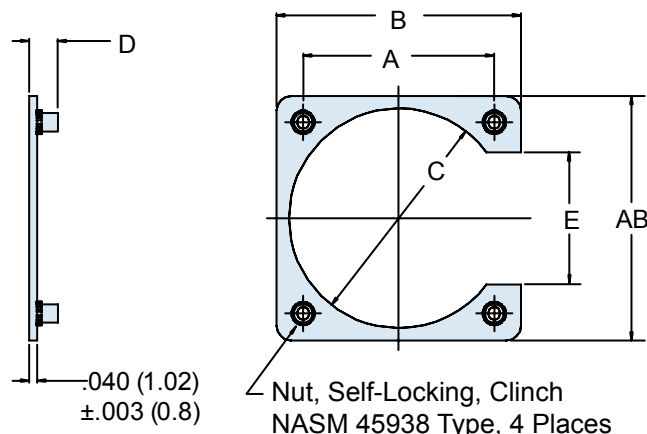


TABLE I: Reference for Connector Shell Size

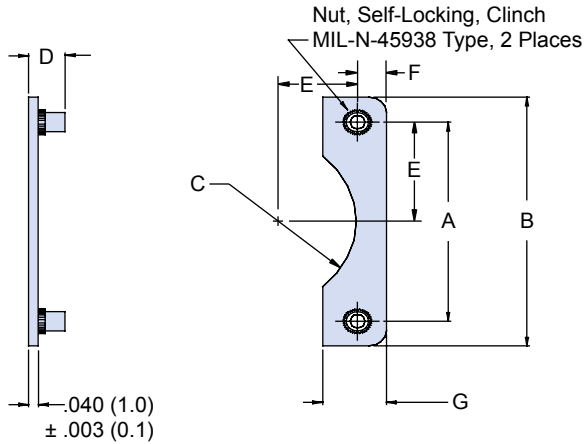
Shell Size & Class	Thread UNJC-3B	A ±.005 (0.1)		B Max		C ±.015 (0.4)		D Max		E ±.030 (0.8)	
3A	4-40	.625	(15.9)	.940	23.88	.641	(16.3)	.166	(4.2)	.325	(8.3)
7A	4-40	.719	(18.3)	1.034	26.26	.688	(17.5)	.166	(4.2)	.433	(11.0)
8A	4-40	.594	(15.1)	.900	22.86	.570	(14.5)	.166	(4.2)	.308	(7.8)
10A	4-40	.719	(18.3)	1.034	26.26	.720	(18.3)	.166	(4.2)	.433	(11.0)
10B	6-32	.812	(20.6)	1.202	30.53	.749	(19.0)	.183	(4.6)	.433	(11.0)
12A	4-40	.812	(20.6)	1.119	28.42	.855	(21.7)	.166	(4.2)	.530	(13.5)
12B	6-32	.938	(23.8)	1.327	33.71	.938	(23.8)	.183	(4.6)	.530	(13.5)
14A	4-40	.906	(23.0)	1.213	30.81	.984	(25.0)	.166	(4.2)	.624	(15.8)
14B	6-32	1.031	(26.2)	1.421	36.09	1.031	(26.2)	.183	(4.6)	.624	(15.8)
16A	4-40	.969	(24.6)	1.295	32.89	1.094	(27.8)	.166	(4.2)	.687	(17.4)
16B	6-32	1.125	(28.6)	1.515	38.48	1.125	(28.6)	.183	(4.6)	.687	(17.4)
18A	4-40	1.062	(27.0)	1.421	36.09	1.220	(31.0)	.166	(4.2)	.780	(19.8)
18B	6-32	1.203	(30.6)	1.593	40.46	1.234	(31.3)	.183	(4.6)	.780	(19.8)
19A	4-40	.906	(23.0)	1.207	30.66	.953	(24.2)	.166	(4.2)	.620	(15.7)
20A	4-40	1.156	(29.4)	1.550	39.37	1.345	(34.2)	.166	(4.2)	.874	(22.2)
20B	6-32	1.297	(32.9)	1.703	43.26	1.359	(34.5)	.183	(4.6)	.865	(22.0)
22A	4-40	1.250	(31.8)	1.680	42.67	1.478	(37.5)	.166	(4.2)	.968	(24.6)
22B	6-32	1.375	(34.9)	1.753	44.53	1.483	(37.7)	.183	(4.6)	.907	(23.0)
24A	6-32	1.500	(38.1)	1.906	48.41	1.560	(39.6)	.183	(4.6)	1.000	(25.4)
24B	6-32	1.375	(34.9)	1.800	45.72	1.595	(40.5)	.183	(4.6)	1.031	(26.2)
25A	6-32	1.500	(38.1)	1.906	48.41	1.658	(42.1)	.183	(4.6)	1.125	(28.6)
27A	4-40	.969	(24.6)	1.270	32.26	1.094	(27.8)	.166	(4.2)	.683	(17.3)
28A	6-32	1.562	(39.7)	2.015	51.18	1.820	(46.2)	.183	(4.6)	1.125	(28.6)
32A	6-32	1.750	(44.5)	2.327	59.11	2.062	(52.4)	.183	(4.6)	1.188	(30.2)
36A	6-32	1.938	(49.2)	2.515	63.88	2.312	(58.7)	.183	(4.6)	1.375	(34.9)
37A	4-40	1.187	(30.1)	1.515	38.48	1.281	(32.5)	.166	(4.2)	.874	(22.2)
61A	4-40	1.437	(36.5)	1.827	46.41	1.594	(40.5)	.166	(4.2)	1.602	(40.7)

Dimensions in inches (millimeters) and are subject to change without notice.

# AS85049/96 and M8528/3 Mounting Flange, 1/4 Perimeter



Miscellaneous  
Accessories



**M85049/96-24-A**

Basic Part No. \_\_\_\_\_  
Dash No. \_\_\_\_\_  
A = Primer Coat Required \_\_\_\_\_

**M85528/3-10-01**

Basic Part No. \_\_\_\_\_  
Dash No. \_\_\_\_\_  
Numerical designation 01 indicates corrosion resistant nuts are required. Omit for alloy steel nuts.

**TABLE I**

Shell Size	Thread UNJC-3B	A ± .003 (0.1)	B ± .015 (0.4)	C + .015 (.4) - .000 (.0)	D ± .030 (0.8)	E ± .005 (0.1)	F (Ref)	G Max
3	4-40	.625 (15.9)	.925 (23.5)	.300 (7.6)	.136 (3.5)	.312 (7.92)	.150 (3.81)	.310 (7.87)
7	4-40	.719 (18.3)	1.016 (25.8)	.298 (7.6)	.136 (3.5)	.359 (9.12)	.149 (3.78)	.308 (7.82)
8	4-40	.594 (15.1)	.891 (22.6)	.296 (7.5)	.136 (3.5)	.297 (7.54)	.148 (3.76)	.306 (7.77)
10	4-40	.719 (18.3)	1.016 (25.8)	.298 (7.6)	.136 (3.5)	.359 (9.12)	.149 (3.78)	.308 (7.82)
12	4-40	.812 (20.6)	1.109 (28.2)	.296 (7.5)	.136 (3.5)	.406 (10.31)	.148 (3.76)	.306 (7.77)
14	4-40	.906 (23.0)	1.203 (30.6)	.296 (7.5)	.136 (3.5)	.453 (11.51)	.148 (3.76)	.306 (7.77)
16	4-40	.969 (24.6)	1.266 (32.2)	.298 (7.6)	.136 (3.5)	.484 (12.29)	.149 (3.78)	.308 (7.82)
18	4-40	1.062 (27.0)	1.390 (35.3)	.328 (8.3)	.136 (3.5)	.531 (13.49)	.164 (4.17)	.338 (8.59)
19	4-40	.906 (23.0)	1.203 (30.6)	.296 (7.5)	.136 (3.5)	.453 (11.51)	.148 (3.76)	.306 (7.77)
20	4-40	1.156 (29.4)	1.510 (38.4)	.354 (9.0)	.136 (3.5)	.578 (14.68)	.177 (4.50)	.364 (9.25)
22	4-40	1.250 (31.8)	1.640 (41.7)	.390 (9.9)	.136 (3.5)	.625 (15.88)	.195 (4.95)	.400 (10.16)
24	6-32	1.375 (34.9)	1.760 (44.7)	.386 (9.8)	.153 (3.9)	.687 (17.45)	.193 (4.90)	.396 (10.06)
25	6-32	1.500 (38.1)	1.859 (47.2)	.358 (9.1)	.153 (3.9)	.750 (19.05)	.179 (4.55)	.368 (9.35)
27	4-40	.969 (24.6)	1.266 (32.2)	.298 (7.6)	.136 (3.5)	.484 (12.29)	.149 (3.78)	.308 (7.82)
28	6-32	1.562 (39.7)	2.000 (50.8)	.438 (11.1)	.153 (3.9)	.781 (19.84)	.219 (5.56)	.448 (11.38)
32	6-32	1.750 (44.5)	2.312 (58.7)	.562 (14.3)	.153 (3.9)	.875 (22.23)	.281 (7.14)	.572 (14.53)
36	6-32	1.938 (49.2)	2.500 (63.5)	.562 (14.3)	.153 (3.9)	.969 (24.61)	.281 (7.14)	.572 (14.53)
37	4-40	1.187 (30.1)	1.500 (38.1)	.314 (8.0)	.136 (3.5)	.593 (15.06)	.157 (3.99)	.324 (8.23)
61	4-40	1.437 (36.5)	1.812 (46.0)	.376 (9.6)	.136 (3.5)	.718 (18.24)	.188 (4.78)	.386 (9.80)

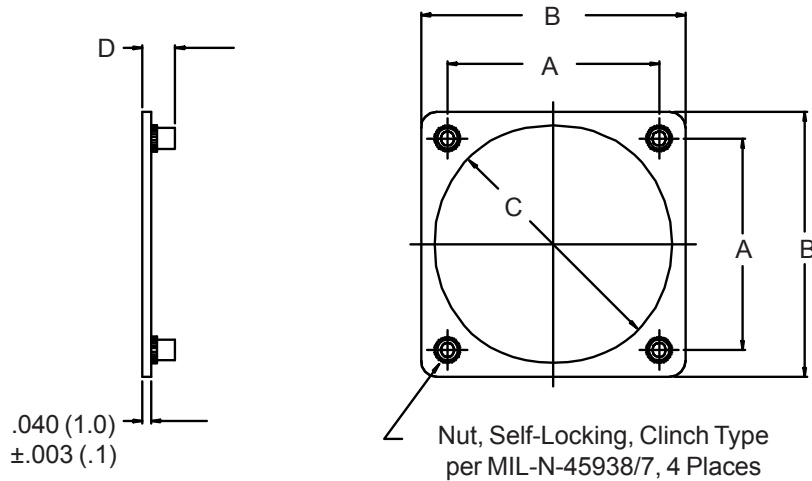
1. For complete dimensions see applicable Military Specification.
2. Metric dimensions (mm) are indicated in parentheses.

# M85528/1 Mounting Flange, Full Perimeter

**M85528/1-10 A**

Basic Part No. \_\_\_\_\_ A = Primer Coat  
Shell Size \_\_\_\_\_ Required

Note: part superceded by M85049/94



**TABLE I**

Shell Size	Thread UNJC-3B	A		B		C		D	
		±.003 (.1)	(mm)	±.015 (.4)	(mm)	-.010 (.3)	(mm)	±.030 (.8)	(mm)
8	4-40	.594	(15.1)	.880	(22.4)	.570	(14.5)	.136	(3.5)
10	4-40	.719	(18.3)	1.005	(25.5)	.700	(17.8)	.136	(3.5)
12	4-40	.812	(20.6)	1.098	(27.9)	.820	(20.8)	.136	(3.5)
14	4-40	.906	(23.0)	1.192	(30.3)	.945	(24.0)	.136	(3.5)
16	4-40	.969	(24.6)	1.255	(31.9)	1.070	(27.2)	.136	(3.5)
18	4-40	1.062	(27.0)	1.348	(34.2)	1.196	(30.4)	.136	(3.5)
20	4-40	1.156	(29.4)	1.500	(38.1)	1.320	(33.5)	.136	(3.5)
22	4-40	1.250	(31.8)	1.625	(41.3)	1.440	(36.6)	.136	(3.5)
24	6-32	1.375	(34.9)	1.750	(44.5)	1.570	(39.9)	.153	(3.9)
25	6-32	1.500	(38.1)	1.891	(48.0)	1.658	(42.1)	.153	(3.9)

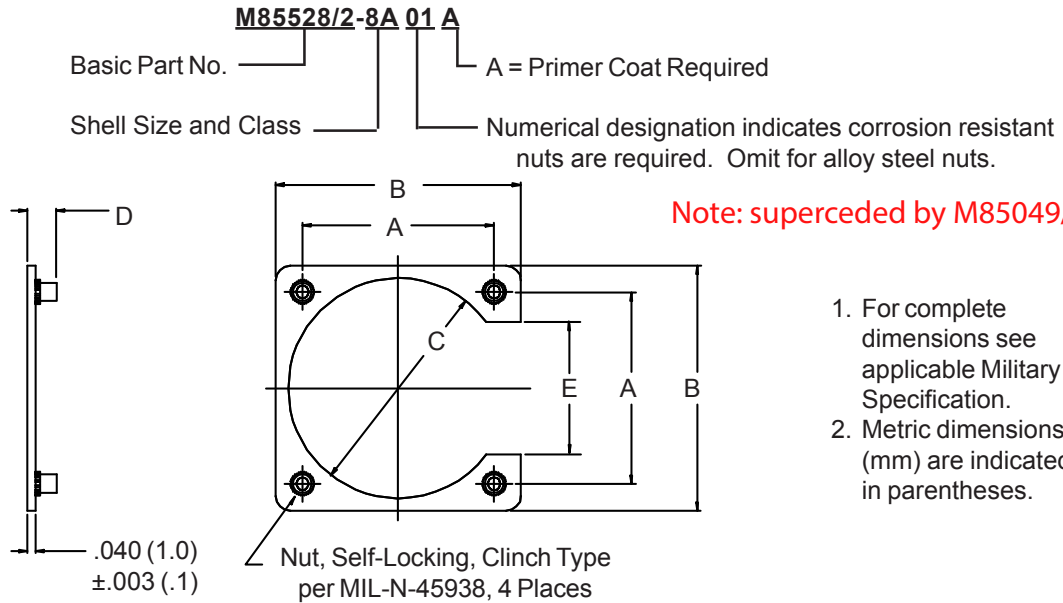
1. For complete dimensions see applicable Military Specification.
2. Metric dimensions (mm) are indicated in parentheses.



# M8528/2 Mounting Flange, 3/4 Perimeter



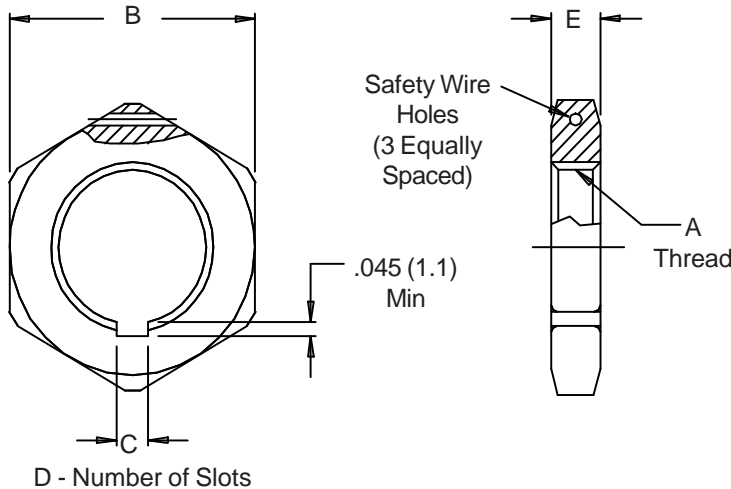
Miscellaneous  
Accessories



**TABLE I**

Shell Size & Class	Thread UNJC-3B	A		B		C		D		E	
		±.003	(.1)	±.015	(.4)	±.010	(.4)	±.030	(.8)	±.020	(.5)
3A	4-40	.625	(15.9)	.925	(23.5)	.641	(16.3)	.136	(3.5)	.325	(8.3)
6A	4-40	.469	(11.9)	.755	(19.2)	.366	(9.3)	.136	(3.5)	.183	(4.6)
7A	4-40	.719	(18.3)	1.019	(25.9)	.688	(17.5)	.136	(3.5)	.433	(11.0)
8A	4-40	.594	(15.1)	.880	(22.4)	.570	(14.5)	.136	(3.5)	.308	(7.8)
10A	4-40	.719	(18.3)	1.019	(25.9)	.720	(18.3)	.136	(3.5)	.433	(11.0)
10B	6-32	.812	(20.6)	1.187	(30.1)	.749	(19.0)	.153	(3.9)	.433	(11.0)
12A	4-40	.812	(20.6)	1.104	(28.0)	.855	(21.7)	.136	(3.5)	.530	(13.5)
12B	6-32	.938	(23.8)	1.312	(33.3)	.938	(23.8)	.153	(3.9)	.526	(13.4)
14A	4-40	.906	(23.0)	1.198	(30.4)	.984	(25.0)	.136	(3.5)	.624	(15.8)
14B	6-32	1.031	(26.2)	1.406	(35.7)	1.031	(26.2)	.153	(3.9)	.620	(15.7)
16A	4-40	.969	(24.6)	1.280	(32.5)	1.094	(27.8)	.136	(3.5)	.687	(17.4)
16B	6-32	1.125	(28.6)	1.500	(38.1)	1.125	(28.6)	.153	(3.9)	.683	(17.3)
18A	4-40	1.062	(27.0)	1.406	(35.7)	1.220	(31.0)	.136	(3.5)	.780	(19.8)
18B	6-32	1.203	(30.6)	1.578	(40.1)	1.234	(31.3)	.153	(3.9)	.776	(19.7)
19A	4-40	.906	(23.0)	1.192	(30.3)	.953	(24.2)	.136	(3.5)	.620	(15.7)
20A	4-40	1.156	(29.4)	1.535	(39.0)	1.345	(34.2)	.136	(3.5)	.874	(22.2)
20B	6-32	1.297	(32.9)	1.688	(42.9)	1.359	(34.5)	.153	(3.9)	.865	(22.0)
22A	4-40	1.250	(31.8)	1.665	(42.3)	1.478	(37.5)	.136	(3.5)	.968	(24.6)
22B	6-32	1.375	(34.9)	1.738	(44.1)	1.483	(37.7)	.153	(3.9)	.907	(23.0)
24A	4-40	1.500	(38.1)	1.891	(48.0)	1.560	(39.6)	.153	(3.9)	1.000	(25.4)
24B	6-32	1.375	(34.9)	1.785	(45.3)	1.595	(40.5)	.153	(3.9)	1.031	(26.2)
25A	6-32	1.500	(38.1)	1.891	(48.0)	1.658	(42.1)	.153	(3.9)	1.125	(28.6)
27A	4-40	.969	(24.6)	1.255	(31.9)	1.094	(27.8)	.136	(3.5)	.683	(17.3)
28A	6-32	1.562	(39.7)	2.000	(50.8)	1.820	(46.2)	.153	(3.9)	1.125	(28.6)
32A	6-32	1.750	(44.5)	2.312	(58.7)	2.062	(52.4)	.153	(3.9)	1.188	(30.2)
36A	6-32	1.938	(49.2)	2.500	(63.5)	2.312	(58.7)	.153	(3.9)	1.375	(34.9)
37A	4-40	1.187	(30.1)	1.500	(38.1)	1.281	(32.5)	.136	(3.5)	.874	(22.2)
61A	4-40	1.437	(36.5)	1.812	(46.0)	1.594	(40.5)	.136	(3.5)	1.602	(40.7)

# MS3186 Jam Nut



**MS3186 A 113 B**

Basic Part No. \_\_\_\_\_

Material: \_\_\_\_\_  
 A = Aluminum  
 S = Steel  
 C = CRES

Dash No. \_\_\_\_\_

Finish: \_\_\_\_\_  
 A = Black Anodize  
 B = Black Cadmium over  
 Corrosion Resistant Steel  
 N = Electroless Nickel (Space  
 Use Only)  
 P = Passivated  
 W = Cadmium Olive Drab  
 Over Electroless Nickel

**TABLE I**

FOR CONNECTOR SHELL SIZE (REF.)

Dash No.	MIL-DTL-5015	MIL-DTL-26482	MIL-DTL-26500	MIL-DTL-83723 I	MIL-DTL-83723 III	MIL-DTL-38999 I	MIL-DTL-38999 II	MIL-C-28840	MIL-C-27599
101	8S	--	--	--	--	--	--	--	--
102	--	8	--	8	--	--	--	--	--
103	10S, 10SL	--	--	--	--	--	--	--	--
104	--	--	8	--	--	--	--	--	--
105	--	--	--	--	8	--	--	--	--
106	--	10	--	10	--	9	--	--	9
107	12S, 12	--	10	--	10	--	--	--	--
108	--	--	--	--	--	11	--	--	11
109	14S, 14	12	--	12	--	--	8	11	8
110	--	--	12	--	12	--	--	--	--
111	16S, 16	14	14	14	14	13	10	13	10, 13
112	--	--	16	--	16 Bay	--	--	--	--
113	18	16	--	16	16 Thd	15	12	--	12, 15
114	--	--	--	--	--	--	--	15	--
115	--	--	18	--	--	--	--	--	14, 17
116	20	18	--	18	18	17	14	17	--
117	22	20	20	20	20	19	16	--	16, 19
118	--	--	--	--	--	--	--	19	--
119	--	--	22	--	--	--	--	--	--
120	24	22	--	22	22	21	18	--	18, 21
121	--	24	24	24	24	23	20	23	20, 23
122	28	--	--	--	--	25	22	25	22, 25
123	--	--	--	--	--	--	24	--	24
124	--	--	--	--	--	--	--	29	--
125	32	--	--	--	--	--	--	--	--
126	--	--	--	--	--	--	--	33	--
127	36	--	--	--	--	--	--	--	--
128	40	--	--	--	--	--	--	--	--
129	44	--	--	--	--	--	--	--	--
130	48	--	--	--	--	--	--	--	--

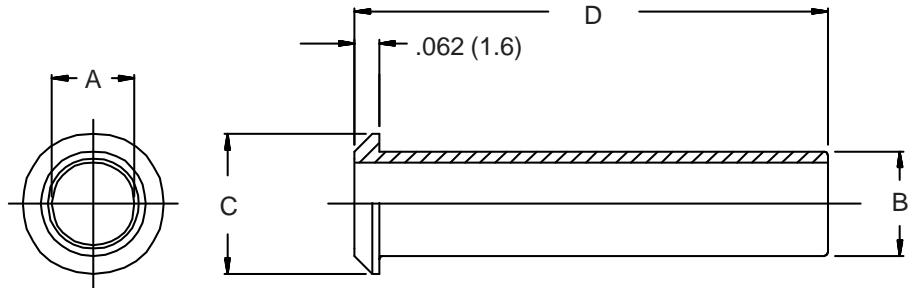
**TABLE II**

Dash No.	A Thread	B		C	D Min. No.	E Dia	
		$\pm.017$	(.4)	Max	of Slots	$\pm.017$	(.4)
101	.500 - 28 UNEF-2B	.687	(17.4)	None	None	.125	(3.2)
102	.5625 - 24 UNEF-2B	.750	(19.1)	.135	(3.4)	2	.125 (3.2)
103	.625 - 24 UNEF-2B	.812	(20.6)	None	None	.125	(3.2)
104	.625 - 20 UN-2B	.812	(20.6)	None	2	.125	(3.2)
105	.625 - 20 UN-2B	.812	(20.6)	None	2	.125	(3.2)
106	.6875 - 24 UNEF-2B	.875	(22.2)	.135	(3.4)	1	.125 (3.2)
107	.750 - 20 UNEF-2B	.937	(23.8)	None	2	.125	(3.2)
108	.8125 - 20 UNEF-2B	1.000	(25.4)	.135	(3.4)	1	.125 (3.2)
109	.875 - 20 UNEF-2B	1.062	(27.0)	.135	(3.4)	1	.125 (3.2)
110	.9375 - 20 UNEF-2B	1.123	(28.5)	None	1	.125	(3.2)
111	1.000 - 20 UNEF-2B	1.188	(30.2)	.135	(3.4)	1	.125 (3.2)
112	1.125 - 20 UN-2B	1.312	(33.3)	None	1	.125	(3.2)
113	1.125 - 18 UNEF-2B	1.312	(33.3)	.135	(3.4)	1	.125 (3.2)
114	1.1875 - 18 UNEF-2B	1.375	(34.9)	None	None	.125	(3.2)
115	1.250 - 20 UN-2B	1.438	(36.5)	None	None	.125	(3.2)
116	1.250 - 18 UNEF-2B	1.438	(36.5)	.135	(3.4)	1	.125 (3.2)
117	1.375 - 18 UNEF-2B	1.562	(39.7)	.192	(4.9)	1	.125 (3.2)
118	1.4375 - 18 UNEF-2B	1.625	(41.3)	None	None	.125	(3.2)
119	1.500 - 20 UN-2B	1.688	(42.9)	None	None	.125	(3.2)
120	1.500 - 18 UNEF-2B	1.688	(42.9)	.192	(4.9)	1	.125 (3.2)
121	1.625 - 18 UNEF-2B	1.812	(46.0)	.192	(4.9)	1	.125 (3.2)
122	1.750 - 18 UNS-2B	2.000	(50.8)	.192	(4.9)	1	.125 (3.2)
123	1.875 - 16 UN-2B	2.125	(54.0)	None	None	.125	(3.2)
124	1.9375 - 16 UN-2B	2.187	(55.5)	None	None	.189	(4.8)
125	2.000 - 18 UNS-2B	2.250	(57.2)	None	None	.189	(4.8)
126	2.125 - 16 UN-2B	2.375	(60.3)	None	None	.189	(4.8)
127	2.250 - 16 UN-2B	2.500	(63.5)	None	None	.189	(4.8)
128	2.500 - 16 UN-2B	2.750	(69.9)	None	None	.189	(4.8)
129	2.750 - 16 UN-2B	3.000	(76.2)	None	None	.189	(4.8)
130	3.000 - 16 UN-2B	3.250	(82.6)	None	None	.189	(4.8)

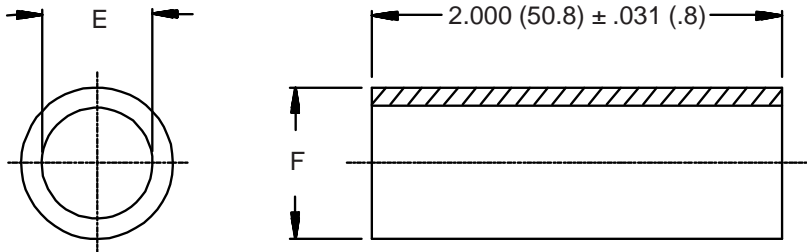
1. For complete dimensions see applicable Military Specification.
2. Metric dimensions (mm) are indicated in parentheses.

# MS3420 Telescoping Bushing

**MS3420-3**  
 Basic Part No. \_\_\_\_\_  
 Dash No. \_\_\_\_\_  
 Material is Rubber per  
 MIL-STD-417



**MS3420-3 L**  
 Basic Part No. \_\_\_\_\_  
 Dash No. \_\_\_\_\_  
 Material \_\_\_\_\_  
 A = Rubber per MIL-STD-417  
 D = Silicone Rubber  
 L = Fluorosilicone Rubber



**TABLE I**

Dash No.	A Dia	B Dia	C Dia	D Dim	E Dia	F Dia
3	.130 (3.3)	.210 (5.3)	.379 (9.6)	2.875 (73.0)	.125 (3.2)	.210 (5.3)
4	.220 (5.6)	.302 (7.7)	.505 (12.8)	2.750 (69.9)	.219 (5.6)	.302 (7.7)
6	.312 (7.9)	.427 (10.8)	.619 (15.7)	2.625 (66.7)	.312 (7.9)	.427 (10.8)
8	.437 (11.1)	.552 (14.0)	.744 (18.9)	2.500 (63.5)	.438 (11.1)	.531 (13.5)
10	.562 (14.3)	.615 (15.6)	.889 (22.6)	2.375 (60.3)	.438 (11.1)	.615 (15.6)
12	.625 (15.9)	.740 (18.8)	1.084 (27.5)	2.250 (57.2)	.541 (13.7)	.740 (18.8)
16	.750 (19.1)	.927 (23.5)	1.314 (33.4)	2.125 (54.0)	.750 (19.1)	.927 (23.5)
18	n/a	n/a	n/a	n/a	.938 (23.8)	1.115 (28.3)
20	.937 (23.8)	1.240 (31.5)	1.598 (40.6)	2.000 (50.8)	.938 (23.8)	1.240 (31.5)
24	1.250 (31.8)	1.365 (34.7)	1.847 (46.9)	1.875 (47.6)	1.125 (28.6)	1.365 (34.7)
28	1.375 (34.9)	1.614 (41.0)	2.085 (53.0)	1.750 (44.5)	1.250 (31.8)	1.614 (41.0)
32	1.624 (41.2)	1.864 (47.3)	2.335 (59.3)	1.625 (41.3)	1.625 (41.3)	1.865 (47.4)
40	1.874 (47.6)	2.364 (60.0)	2.835 (72.0)	1.500 (38.1)	1.875 (47.6)	2.365 (60.1)

1. For complete dimensions see applicable Military Specification.
2. Metric dimensions (mm) are indicated in parentheses.

# D38999/28 Jam Nut



Miscellaneous  
Accessories

Glenair Connector  
Designator H

MIL-DTL-38999  
Series III & IV,  
EN3645

**D38999/28-11 F**

Basic Part No.

Dash No.

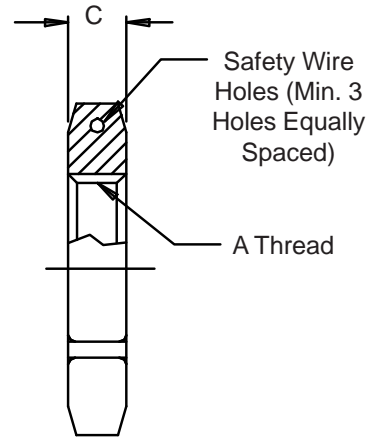
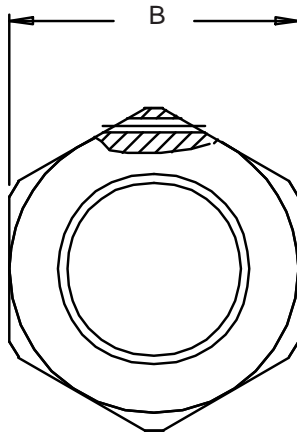
Material and Finish:

C = Aluminum, Anodize

F = Aluminum, Electroless Nickel

K = Corrosion Resistant Steel Passivate

W = Aluminum, Cadmium Olive Drab over  
Electroless Nickel



**TABLE I**

Dash No.	Shell Size		A Thread Class 2B	B Hex Max	C	
	Series III	Series IV			+018 -.000	(.45) (.00)
1	9	--	M17 X 1 - 6H*	.945 (24.00)	.125	(3.17)
2	11	--	M20 X 1 - 6H*	1.063 (27.00)	.125	(3.17)
3	13	11	M25 X 1 - 6H	1.260 (32.00)	.125	(3.17)
4	15	13	M28 X 1 - 6H	1.417 (36.00)	.125	(3.17)
5	--	15	M31 X 1 - 6H	1.614 (41.00)	.125	(3.17)
6	17	--	M32 X 1 - 6H	1.457 (37.00)	.125	(3.17)
7	--	17	M34 X 1 - 6H	1.614 (41.00)	.125	(3.17)
8	19	--	M35 X 1 - 6H	1.614 (41.00)	.125	(3.17)
9	21	19	M38 X 1 - 6H	1.811 (46.00)	.125	(3.17)
10	23	21	M41 X 1 - 6H	1.969 (50.00)	.125	(3.17)
11	25	23	M44 X 1 - 6H	2.017 (51.23)	.125	(3.17)
12	--	25	M47 X 1 - 6H	2.165 (55.00)	.125	(3.17)

\* Modified Minor Diameter

1. For complete dimensions see applicable Military Specification.
2. Metric dimensions (mm) are indicated in parentheses.

## M83723/70 Receptacle Adapter

MIL-DTL-83723  
Series III  
Classes A, G, R and W

M83723/70 W 22

Basic Part No. \_\_\_\_\_ Shell Size

Material and Finish: \_\_\_\_\_

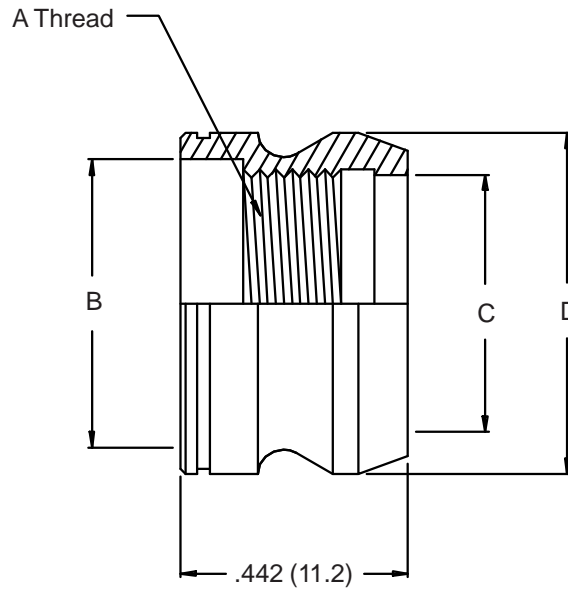
A = Aluminum, Black Anodize

R = Aluminum, Electroless Nickel

G = Corrosion Resistant Steel

Passivate

W = Aluminum, Cadmium Olive Drab over  
Electroless Nickel



**TABLE I**

Shell Size	A Thread UNEF-2B	B Dia Max	C Dia	D Dia Max
8	.5264 - 24	.579 (14.7)	.525 (13.3)	.689 (17.5)
10	.6875 - 24	.714 (18.1)	.650 (16.5)	.814 (20.7)
12	.8750 - 20	.894 (22.7)	.840 (21.3)	1.001 (25.4)
14	.9375 - 20	.954 (24.2)	.900 (22.9)	1.064 (27.0)
16	1.0625 - 18	1.079 (27.4)	1.025 (26.0)	1.189 (30.2)
18	1.1875 - 18	1.204 (30.6)	1.150 (29.2)	1.330 (33.8)
20	1.3125 - 18	1.329 (33.8)	1.275 (32.4)	1.455 (37.0)
22	1.4375 - 18	1.454 (36.9)	1.400 (35.6)	1.580 (40.1)
24	1.5625 - 18	1.579 (40.1)	1.525 (38.7)	1.705 (43.3)

1. For complete dimensions see applicable Military Specification.
2. Metric dimensions (mm) are indicated in parentheses.



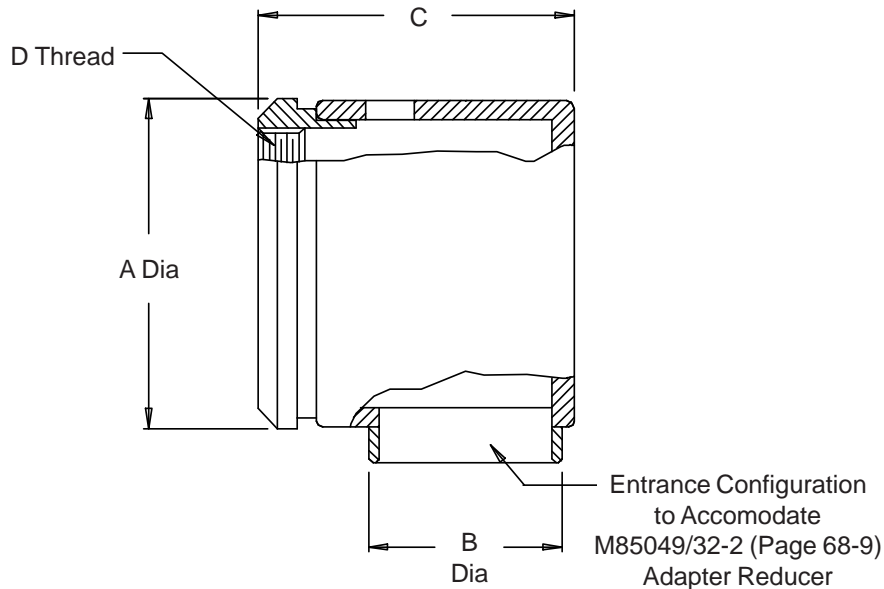
**AS85049/32-1**  
**90° Adapter, Non-Environmental, RFI**



Miscellaneous  
Accessories

MIL-DTL-38999  
Series I & II

**M85049/32-1-8**  
 Basic Part No. \_\_\_\_\_ Dash No. \_\_\_\_\_



**TABLE I**

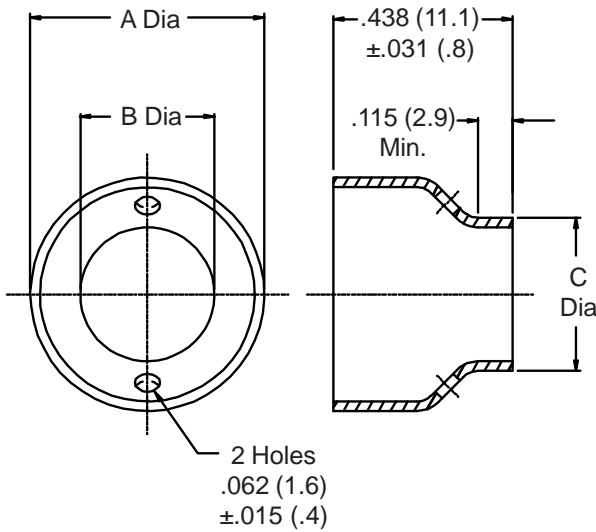
Dash No.	Shell Size		A Dia Max	B Dia Max	C Max	D Thread Class 2B
	Series I	Series II				
8	9	8	.594 (15.1)	.359 (9.1)	.719 (18.3)	.4375 - 28 UNEF
10	11	10	.719 (18.3)	.406 (10.3)	.766 (19.5)	.5625 - 24 UNEF
12	13	12	.844 (21.4)	.500 (12.7)	.859 (21.8)	.6875 - 24 UNEF
14	15	14	.969 (24.6)	.578 (14.7)	.938 (23.8)	.8125 - 20 UNEF
16	17	16	1.094 (27.8)	.641 (16.3)	1.000 (25.4)	.9375 - 20 UNEF
18	19	18	1.219 (31.0)	.688 (17.5)	1.047 (26.6)	1.0625 - 18 UNEF
20	21	20	1.344 (34.1)	.734 (18.6)	1.094 (27.8)	1.1875 - 18 UNEF
22	23	22	1.469 (37.3)	.796 (20.2)	1.156 (29.4)	1.3125 - 18 UNEF
24	25	24	1.594 (40.5)	.859 (21.8)	1.219 (31.0)	1.4375 - 18 UNEF

1. For complete dimensions see applicable Military Specification.
2. Metric dimensions (mm) are indicated in parentheses.
3. Material: Copper alloy. Finish: Tin-lead solder plate.

## AS85049/32-2 Adapter Reducer

MIL-DTL-38999  
Series I & II

M85049/32-2-8  
Basic Part No. \_\_\_\_\_ Dash No. \_\_\_\_\_



1. For complete dimensions see applicable Military Specification.
2. Metric dimensions (mm) are indicated in parentheses.
3. Material: Copper alloy. Finish: Tin-lead solder plate.
4. Adapter reducer for use with M85049/32-1 and M85049/33-1.

TABLE I

Dash No.	Fits Adapter Shell Size	A Dia Ref	B Dia Min	C Max
81	8	.291 (7.4)	.163 (4.1)	.219 (5.6)
82	8	.291 (7.4)	.171 (4.3)	.234 (5.9)
83	8	.291 (7.4)	.187 (4.7)	.250 (6.4)
101	10	.346 (8.8)	.216 (5.5)	.266 (6.8)
121	12	.441 (11.2)	.197 (5.0)	.250 (6.4)
122	12	.441 (11.2)	.216 (5.5)	.266 (6.8)
123	12	.441 (11.2)	.279 (7.1)	.328 (8.3)
141	14	.506 (12.9)	.216 (5.5)	.266 (6.8)
142	14	.506 (12.9)	.289 (7.3)	.344 (8.7)
143	14	.506 (12.9)	.311 (7.9)	.359 (9.1)
144	14	.506 (12.9)	.342 (8.7)	.391 (9.9)
145	14	.506 (12.9)	.359 (9.1)	.406 (10.3)
146	14	.571 (14.5)	.386 (9.8)	.438 (11.1)
161	16	.571 (14.5)	.216 (5.5)	.266 (6.8)
162	16	.571 (14.5)	.289 (7.3)	.344 (8.7)
163	16	.571 (14.5)	.342 (8.7)	.391 (9.9)
164	16	.571 (14.5)	.405 (10.3)	.453 (11.5)
165	16	.571 (14.5)	.327 (8.3)	.375 (9.5)
181	18	.616 (15.6)	.216 (5.5)	.266 (6.8)
182	18	.616 (15.6)	.289 (7.3)	.344 (8.7)
183	18	.616 (15.6)	.342 (8.7)	.391 (9.9)
184	18	.616 (15.6)	.380 (9.7)	.430 (10.9)
185	18	.616 (15.6)	.450 (11.4)	.500 (12.7)
201	20	.664 (16.9)	.327 (8.3)	.375 (9.5)
202	20	.664 (16.9)	.390 (9.9)	.453 (11.5)
203	20	.664 (16.9)	.444 (11.3)	.500 (12.7)
204	20	.664 (16.9)	.405 (10.3)	.469 (11.9)
205	20	.664 (16.9)	.483 (12.3)	.531 (13.5)
206	20	.664 (16.9)	.499 (12.7)	.547 (13.9)
221	22	.738 (18.7)	.358 (9.1)	.406 (10.3)
222	22	.738 (18.7)	.437 (11.1)	.484 (12.3)
223	22	.738 (18.7)	.452 (11.5)	.500 (12.7)
224	22	.738 (18.7)	.468 (11.9)	.516 (13.1)
225	22	.738 (18.7)	.561 (14.2)	.609 (15.5)
241	24	.796 (20.2)	.593 (15.1)	.641 (16.3)

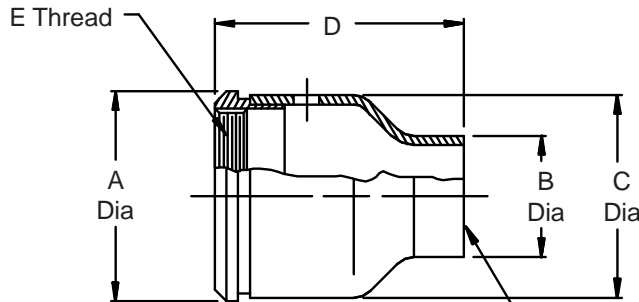
# AS85049/33-1 Adapter, Non-Environmental, RFI



Miscellaneous  
Accessories

MIL-DTL-38999  
Series I & II

**M85049/33-1-8**  
Basic Part No. \_\_\_\_\_ Dash No. \_\_\_\_\_



Entrance Configuration to Accomodate  
M85049/32-2 (Page 68-9)  
Adapter Reducer

**TABLE I**

Dash No.	Shell Size		A Dia Max	B Dia Max	C Dia Max	D Max	E Thread Class 2B
	Series I	Series II					
8	9	8	.594 (15.1)	.359 (9.1)	.516 (13.1)	.844 (21.4)	.4375 - 28 UNEF
10	11	10	.719 (18.3)	.406 (10.3)	.641 (16.3)	.969 (24.6)	.5625 - 24 UNEF
12	13	12	.844 (21.4)	.500 (12.7)	.766 (19.5)	1.094 (27.8)	.6875 - 24 UNEF
14	15	14	.969 (24.6)	.578 (14.7)	.891 (22.6)	1.156 (29.4)	.8125 - 20 UNEF
16	17	16	1.094 (27.8)	.641 (16.3)	1.016 (25.8)	1.219 (31.0)	.9375 - 20 UNEF
18	19	18	1.219 (31.0)	.688 (17.5)	1.141 (29.0)	1.344 (34.1)	1.0625 - 18 UNEF
20	21	20	1.344 (34.1)	.734 (18.6)	1.265 (32.1)	1.469 (37.3)	1.1875 - 18 UNEF
22	23	22	1.469 (37.3)	.796 (20.2)	1.391 (35.3)	1.594 (40.5)	1.3125 - 18 UNEF
24	25	24	1.594 (40.5)	.859 (21.8)	1.516 (38.5)	1.719 (43.7)	1.4375 - 18 UNEF

1. For complete dimensions see applicable Military Specification.
2. Metric dimensions (mm) are indicated in parentheses.
3. Material: Copper alloy. Finish: Tin-lead solder plate.

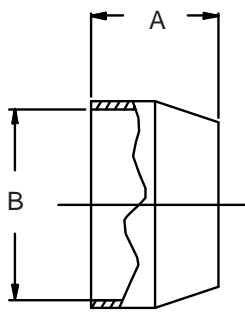
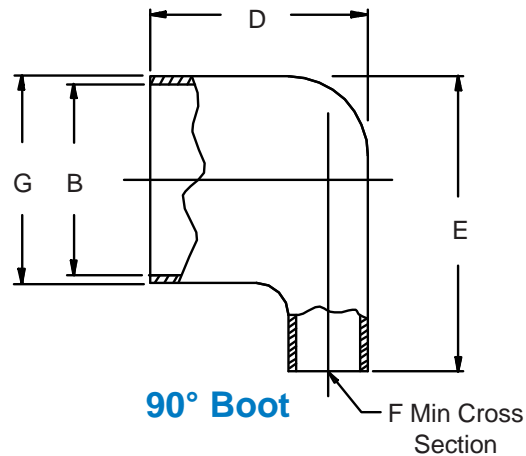
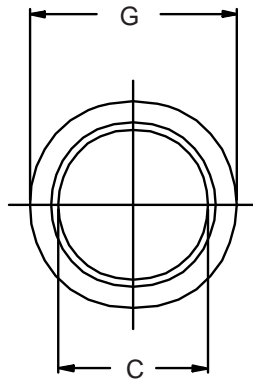
For Use With M85049/61  
 Potting Boot Ring  
 (Page 30-3)

**M85049/74-10-1**

Basic Part No. \_\_\_\_\_

Shell Size \_\_\_\_\_

Geometry  
 1 = Straight  
 2 = 90°


**Straight Boot**

**90° Boot**
**TABLE I**

Shell Size	A		B Dia		C		D		E		F		G			
	Min	Max	±.005	(.1)	Min ID	Max	Max	Max	Min	Max	Max	Max				
8	.450	(11.4)	.500	(12.7)	.511	(13.0)	.317	(8.1)	.766	(19.5)	1.000	(25.4)	.110	(2.8)	.608	(15.4)
10	.450	(11.4)	.500	(12.7)	.637	(16.2)	.434	(11.0)	.922	(23.4)	1.125	(28.6)	.200	(5.1)	.734	(18.6)
12	.450	(11.4)	.500	(12.7)	.761	(19.3)	.548	(13.9)	1.031	(26.2)	1.125	(28.6)	.290	(7.4)	.858	(21.8)
14	.450	(11.4)	.500	(12.7)	.887	(22.5)	.673	(17.1)	1.016	(25.8)	1.297	(32.9)	.400	(10.2)	.984	(25.0)
16	.450	(11.4)	.500	(12.7)	1.013	(25.7)	.798	(20.3)	1.016	(25.8)	1.375	(34.9)	.490	(12.4)	1.110	(28.2)
18	.450	(11.4)	.500	(12.7)	1.137	(28.9)	.899	(22.8)	1.078	(27.4)	1.469	(37.3)	.590	(15.0)	1.234	(31.3)
20	.550	(14.0)	.594	(15.1)	1.263	(32.1)	1.024	(26.0)	1.094	(27.8)	1.625	(41.3)	.730	(18.5)	1.360	(34.5)
22	.550	(14.0)	.594	(15.1)	1.387	(35.2)	1.149	(29.2)	1.094	(27.8)	1.703	(43.3)	.860	(21.8)	1.484	(37.7)
24	.550	(14.0)	.594	(15.1)	1.513	(38.4)	1.274	(32.4)	1.281	(32.5)	2.047	(52.0)	1.070	(27.2)	1.610	(40.9)

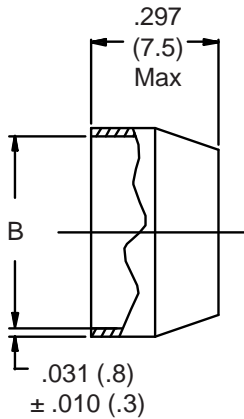
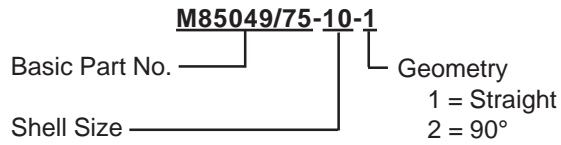
1. For complete dimensions see applicable Military Specification.
2. Metric dimensions (mm) are indicated in parentheses.
3. Material: Translucent nylon, minimum wall thickness .020 (.51).

# AS85049/75 Potting Boot

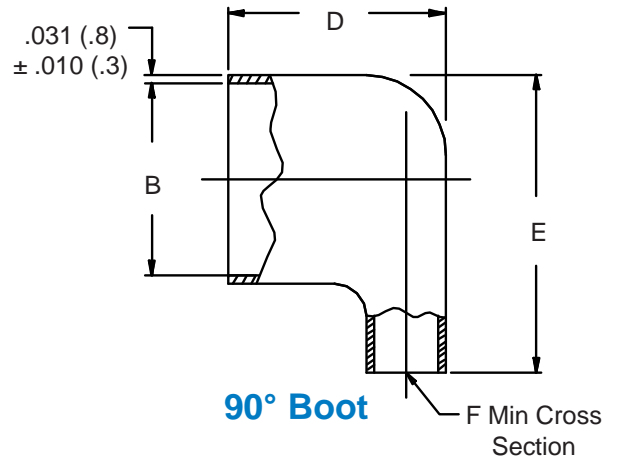
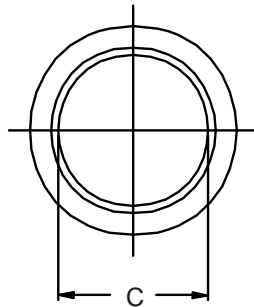


Miscellaneous  
Accessories

For Use With M85049/58  
Potting Boot Ring  
(Page 30-2)



**Straight Boot**



**90° Boot**

**TABLE I**

Shell Size	B Dia ±.005 (.1)	C Min ID	D Max	E Max	F Min
8	.527 (13.4)	.434 (11.0)	.438 (11.1)	.766 (19.5)	.073 (1.9)
10	.652 (16.6)	.548 (13.9)	.469 (11.9)	.891 (22.6)	.117 (3.0)
12	.776 (19.7)	.673 (17.1)	.562 (14.3)	1.031 (26.2)	.206 (5.2)
14	.898 (22.8)	.798 (20.3)	.719 (18.3)	1.156 (29.4)	.384 (9.8)
16	1.016 (25.8)	.899 (22.8)	.781 (19.8)	1.287 (32.7)	.443 (11.3)
18	1.140 (29.0)	1.024 (26.0)	.844 (21.4)	1.406 (35.7)	.561 (14.2)
20	1.265 (32.1)	1.149 (29.2)	.906 (23.0)	1.531 (38.9)	.693 (17.6)
22	1.390 (35.3)	1.274 (32.4)	.938 (23.8)	1.656 (42.1)	.840 (21.3)
24	1.515 (38.5)	1.399 (35.5)	1.031 (26.2)	1.781 (45.2)	.999 (25.4)

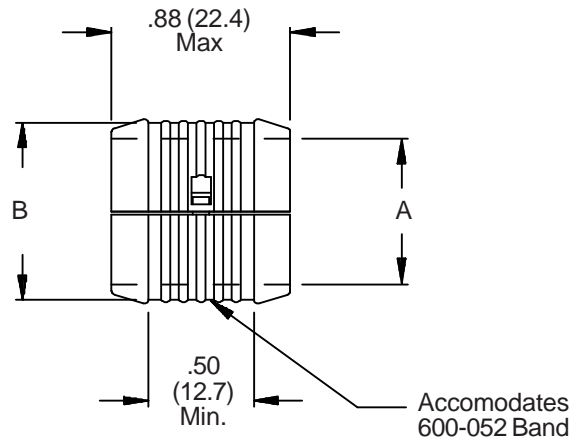
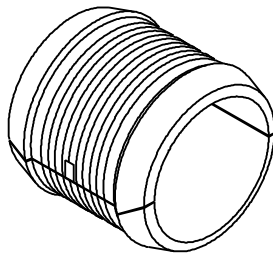
1. For complete dimensions see applicable Military Specification.
2. Metric dimensions (mm) are indicated in parentheses.
3. Material: Translucent nylon.

**M85049/93-10**

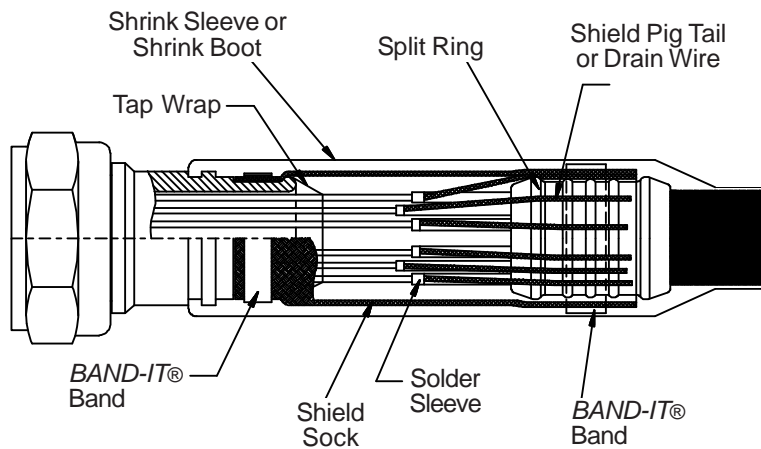
Basic Part No. \_\_\_\_\_ Dash No. \_\_\_\_\_

1. For complete dimensions see applicable Military Specification.
2. Metric dimensions (mm) are indicated in parentheses.
3. Use with Glenair banding backshells and braid socks. Consult factory for specific application part numbers.

Dash No.	A Dia		B Dia	
	±.01	(0.3)	±.03	(0.8)
04	.25	(6.4)	.36	(9.1)
06	.38	(9.7)	.49	(12.4)
08	.50	(12.7)	.61	(15.5)
10	.63	(16.0)	.74	(18.8)
12	.75	(19.1)	.86	(21.8)
14	.88	(22.4)	.99	(25.1)
16	1.00	(25.4)	1.11	(28.2)
18	1.13	(28.7)	1.24	(31.5)
20	1.25	(31.8)	1.36	(34.5)
22	1.38	(35.1)	1.49	(37.8)
24	1.50	(38.1)	1.61	(40.9)
26	1.63	(41.4)	1.74	(44.2)
28	1.75	(44.5)	1.86	(47.2)



### SAMPLE APPLICATION



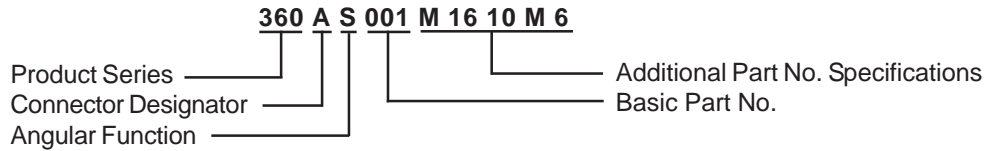


# Part Number Index



A

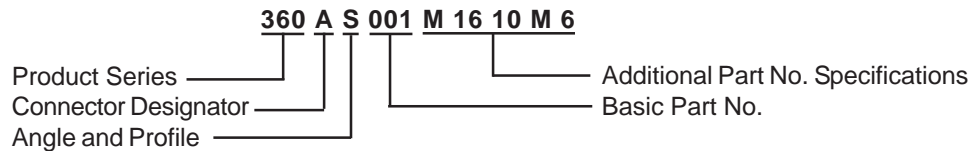
## SAMPLE PART NUMBER DEVELOPMENT



Prod. Ser. Basic No.	Angle/Profile	Connector Designator	Page
310-001	H	AFHLS	310-2
310-001	J	AFHLS	310-2
310-001	S	AFGHJLS	310-2
310-006	S	AFHLS	310-6
310-034	H	ABCDEFHGJKLS	310-4
310-034	J	ABCDEFHGJKLS	310-4
310-034	S	ABCDEFHGJKLS	310-4
311-001	A	AFHJLS	311-2
311-001	B	AFHJLS	311-2
311-001	C	AFHLS	311-6
311-001	D	AFHLS	311-6
311-001	F	AFHLS	311-6
311-001	H	AFHLS	311-4
311-001	J	AFHLS	311-4
311-001	S	AFHJLS	311-2
311-002	A	ABCDEFHGJKLS	311-8
311-002	B	ABCDEFHGJKLS	311-8
311-002	H	ABCDEFHGJKLS	311-10
311-002	J	ABCDEFHGJKLS	311-10
311-002	S	ABCDEFHGJKLS	311-8
311-039	C	AFHLS	311-14
311-039	D	AFHLS	311-14
311-039	F	AFHLS	311-14
311-039	H	AFHLS	311-12
311-039	J	AFHLS	311-12
311-039	S	AFHLS	311-12
319-001	A	AFHLS	319-2
319-001	B	AFHLS	319-2
319-001	C	AFHLS	319-6
319-001	D	AFHLS	319-6
319-001	F	AFHLS	319-6
319-001	H	AFHLS	319-4
319-001	J	AFHLS	319-4
319-001	S	AFHLS	319-2
319-043	H	ABCDEFHGJKLS	319-8
319-043	J	ABCDEFHGJKLS	319-8
319-043	S	ABCDEFHGJKLS	319-8
319-044	C	AFHLS	319-12
319-044	D	AFHLS	319-12
319-044	F	AFHLS	319-12
319-044	H	AFHLS	319-10
319-044	J	AFHLS	319-10
319-044	S	AFHLS	319-10
320-001	A	AFHLS	32-2
320-001	B	AFHLS	32-2
320-001	S	AFHLS	32-2
320-002	S	ABCDEFHGJKLS	32-3
330-001	S	AFHLS	33-2
330-002	S	AFHLS	33-2
330-003	S	ABCDEFHGJKLS	33-3
330-004	S	ABCDEFHGJKLS	33-3
340-001	S	AFGHJLS	34-2
340-002	S	ABCDEFHGJKLS	34-3

Prod. Ser. Basic No.	Angle/Profile	Connector Designator	Page
360-001	A	AFHLS	36-2
360-001	B	AFHLS	36-2
360-001	S	AFHLS	36-2
360-002	A	ABCDEFHGJKLS	36-4
360-002	B	ABCDEFHGJKLS	36-4
360-002	S	ABCDEFHGJKLS	36-4
360-003	H	G	36-6
360-003	J	G	36-6
360-003	S	G	36-6
360-017	H	AFHLS	36-8
360-017	J	AFHLS	36-8
360-017	S	AFHLS	36-8
370-001	A	AFHLS	37-4
370-001	B	AFHLS	37-4
370-001	M	AFHLS	37-6
370-001	N	AFHLS	37-6
370-001	S	AFHLS	37-4
370-002	A	ABCDEFHGJKLS	37-10
370-002	B	ABCDEFHGJKLS	37-10
370-002	M	ABCDEFHGJKLS	37-12
370-002	N	ABCDEFHGJKLS	37-12
370-002	S	ABCDEFHGJKLS	37-10
370-003	A	AFHLS	37-14
370-003	B	AFHLS	37-14
370-003	S	AFHLS	37-14
370-004	A	ABCDEFHGJKLS	37-18
370-004	B	ABCDEFHGJKLS	37-18
370-004	S	ABCDEFHGJKLS	37-18
370-005	A	AFHLS	37-20
370-005	B	AFHLS	37-20
370-005	S	AFHLS	37-20
370-006	A	ABCDEFHGJKLS	37-22
370-006	B	ABCDEFHGJKLS	37-22
370-006	S	ABCDEFHGJKLS	37-22
370-007	H	G	37-8
370-007	J	G	37-8
370-007	S	G	37-8
370-008	A	G	37-16
370-008	B	G	37-16
370-008	S	G	37-16
370-023	P	AFHLS	37-24
370-023	R	AFHLS	37-24
370-024	P	AFHLS	37-26
370-024	R	AFHLS	37-26
380-001	A	AFHLS	38-14
380-001	B	AFHLS	38-14
380-001	S	AFHLS	38-14
380-002	A	ABCDEFHGJKLS	38-18
380-002	B	ABCDEFHGJKLS	38-18
380-002	S	ABCDEFHGJKLS	38-18
380-005	A	AFHLS	38-26
380-005	B	AFHLS	38-26
380-005	S	AFHLS	38-26

**SAMPLE PART NUMBER DEVELOPMENT**



Prod. Ser. Basic No.	Angle/Profile	Connector Designator	Page
380-006	A	ABCDEFGHJKLS	38-28
380-006	B	ABCDEFGHJKLS	38-28
380-006	S	ABCDEFGHJKLS	38-28
380-007	A	AFHLS	38-30
380-007	B	AFHLS	38-30
380-007	C	AFHLS	38-36
380-007	D	AFHLS	38-36
380-007	F	AFHLS	38-36
380-007	H	AFHLS	38-34
380-007	J	AFHLS	38-34
380-007	M	AFHLS	38-32
380-007	N	AFHLS	38-32
380-007	S	AFHLS	38-30
380-008	A	ABCDEFGHJKLS	38-38
380-008	B	ABCDEFGHJKLS	38-38
380-008	D	ABCDEFGHJKLS	38-42
380-008	F	ABCDEFGHJKLS	38-42
380-008	H	ABCDEFGHJKLS	38-40
380-008	J	ABCDEFGHJKLS	38-40
380-008	S	ABCDEFGHJKLS	38-38
380-009	A	AFHLS	38-50
380-009	B	AFHLS	38-50
380-009	C	AFHLS	38-56
380-009	D	AFHLS	38-56
380-009	F	AFHLS	38-56
380-009	H	AFHLS	38-54
380-009	J	AFHLS	38-54
380-009	M	AFHLS	38-52
380-009	N	AFHLS	38-52
380-009	S	AFHLS	38-50
380-010	A	ABCDEFGHJKLS	38-58
380-010	B	ABCDEFGHJKLS	38-58
380-010	D	ABCDEFGHJKLS	38-62
380-010	F	ABCDEFGHJKLS	38-62
380-010	H	ABCDEFGHJKLS	38-60
380-010	J	ABCDEFGHJKLS	38-60
380-010	S	ABCDEFGHJKLS	38-58
380-011	H	G	38-16
380-011	J	G	38-16
380-011	S	G	38-16
380-013	A	AFHLS	38-70
380-013	B	AFHLS	38-70
380-013	C	AFHLS	38-74
380-013	D	AFHLS	38-74
380-013	F	AFHLS	38-74
380-013	H	AFHLS	38-72
380-013	J	AFHLS	38-72
380-013	S	AFHLS	38-70
380-014	A	ABCDEFGHJKLS	38-76
380-014	B	ABCDEFGHJKLS	38-76
380-014	D	ABCDEFGHJKLS	38-78
380-014	F	ABCDEFGHJKLS	38-78
380-014	S	ABCDEFGHJKLS	38-76

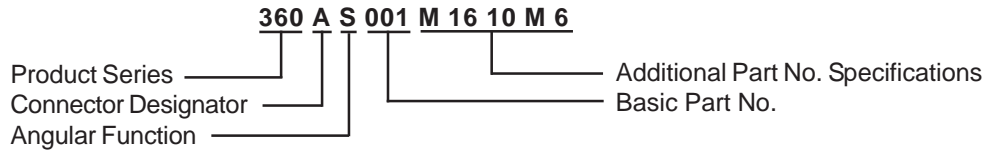
Prod. Ser. Basic No.	Angle/Profile	Connector Designator	Page
380-018	A	AFHLS	38-84
380-018	B	AFHLS	38-84
380-018	C	AFHLS	38-90
380-018	D	AFHLS	38-90
380-018	F	AFHLS	38-90
380-018	H	AFHLS	38-88
380-018	J	AFHLS	38-88
380-018	M	AFHLS	38-86
380-018	N	AFHLS	38-86
380-018	S	AFHLS	38-84
380-019	A	ABCDEFGHJKLS	38-92
380-019	B	ABCDEFGHJKLS	38-92
380-019	C	ABCDEFGHJKLS	38-96
380-019	D	ABCDEFGHJKLS	38-96
380-019	F	ABCDEFGHJKLS	38-96
380-019	H	ABCDEFGHJKLS	38-94
380-019	J	ABCDEFGHJKLS	38-94
380-019	S	ABCDEFGHJKLS	38-92
380-071	A	AFHLS	38-124
380-071	B	AFHLS	38-124
380-071	S	AFHLS	38-124
380-103	A	AFHLS	38-104
380-103	B	AFHLS	38-104
380-103	C	AFHLS	38-110
380-103	D	AFHLS	38-110
380-103	F	AFHLS	38-110
380-103	H	AFHLS	38-108
380-103	J	AFHLS	38-108
380-103	M	AFHLS	38-106
380-103	N	AFHLS	38-106
380-103	S	AFHLS	38-104
380-104	A	ABCDEFGHJKLS	38-112
380-104	B	ABCDEFGHJKLS	38-112
380-104	D	ABCDEFGHJKLS	38-116
380-104	F	ABCDEFGHJKLS	38-116
380-104	H	ABCDEFGHJKLS	38-114
380-104	J	ABCDEFGHJKLS	38-114
380-104	S	ABCDEFGHJKLS	38-112
380-105	C	AFHLS	38-122
380-105	D	AFHLS	38-122
380-105	F	AFHLS	38-122
380-105	H	AFHLS	38-120
380-105	J	AFHLS	38-120
380-105	M	AFHLS	38-118
380-105	N	AFHLS	38-118
380-105	S	AFHLS	38-118
380-106	C	AFHLS	38-48
380-106	D	AFHLS	38-48
380-106	F	AFHLS	38-48
380-106	H	AFHLS	38-46
380-106	J	AFHLS	38-46
380-106	M	AFHLS	38-44
380-106	N	AFHLS	38-44

# Part Number Index



A

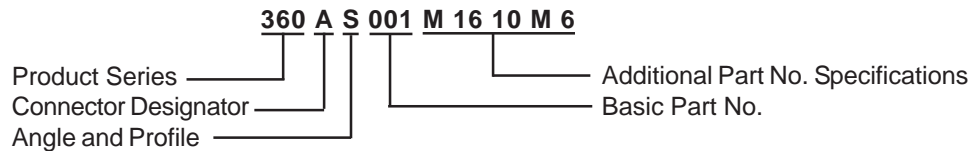
## SAMPLE PART NUMBER DEVELOPMENT



Prod. Ser. Basic No.	Angle/Profile	Connector Designator	Page
380-106	S	AFHLS	38-44
380-107	C	AFHLS	38-68
380-107	D	AFHLS	38-68
380-107	F	AFHLS	38-68
380-107	H	AFHLS	38-66
380-107	J	AFHLS	38-66
380-107	M	AFHLS	38-64
380-107	N	AFHLS	38-64
380-107	S	AFHLS	38-64
380-109	C	AFHLS	38-102
380-109	D	AFHLS	38-102
380-109	F	AFHLS	38-102
380-109	H	AFHLS	38-100
380-109	J	AFHLS	38-100
380-109	M	AFHLS	38-98
380-109	N	AFHLS	38-98
380-109	S	AFHLS	38-98
380-111	C	AFHLS	38-82
380-111	D	AFHLS	38-82
380-111	F	AFHLS	38-82
380-111	H	AFHLS	38-80
380-111	J	AFHLS	38-80
380-111	S	AFHLS	38-80
380-115	A	AFHLS	38-20
380-115	B	AFHLS	38-20
380-115	S	AFHLS	38-20
380-116	H	G	38-22
380-116	J	G	38-22
380-116	S	G	38-22
380-117	A	ABCDEFGHJKLS	38-24
380-117	B	ABCDEFGHJKLS	38-24
380-117	S	ABCDEFGHJKLS	38-24
390-001	A	AFHLS	39-12
390-001	B	AFHLS	39-12
390-001	S	AFHLS	39-12
390-002	A	ABCDEFGHJKLS	39-16
390-002	B	ABCDEFGHJKLS	39-16
390-002	S	ABCDEFGHJKLS	39-16
390-003	A	AFHLS	39-18
390-003	B	AFHLS	39-18
390-003	S	AFHLS	39-18
390-004	A	AFHLS	39-22
390-004	B	AFHLS	39-22
390-004	S	AFHLS	39-22
390-005	A	AFHLS	39-24
390-005	B	AFHLS	39-24
390-005	S	AFHLS	39-24
390-006	A	ABCDEFGHJKLS	39-28
390-006	B	ABCDEFGHJKLS	39-28
390-006	S	ABCDEFGHJKLS	39-28
390-007	A	AFHLS	39-30
390-007	B	AFHLS	39-30
390-007	S	AFHLS	39-30

Prod. Ser. Basic No.	Angle/Profile	Connector Designator	Page
390-008	A	ABCDEFGHJKLS	39-32
390-008	B	ABCDEFGHJKLS	39-32
390-008	S	ABCDEFGHJKLS	39-32
390-009	A	AFHLS	39-34
390-009	B	AFHLS	39-34
390-009	S	AFHLS	39-34
390-010	A	ABCDEFGHJKLS	39-36
390-010	B	ABCDEFGHJKLS	39-36
390-010	S	ABCDEFGHJKLS	39-36
390-011	A	AFHLS	39-38
390-011	B	AFHLS	39-38
390-011	K	AFHLS	39-40
390-011	L	AFHLS	39-40
390-011	S	AFHLS	39-38
390-012	A	ABCDEFGHJKLS	39-42
390-012	B	ABCDEFGHJKLS	39-42
390-012	S	ABCDEFGHJKLS	39-42
390-013	H	G	39-14
390-013	J	G	39-14
390-013	S	G	39-14
390-014	H	G	39-20
390-014	J	G	39-20
390-014	S	G	39-20
390-015	H	G	39-26
390-015	J	G	39-26
390-015	S	G	39-26
390-035	A	ABCDEFGHJKLS	39-76
390-035	B	ABCDEFGHJKLS	39-76
390-035	S	ABCDEFGHJKLS	39-76
390-036	A	AFHLS	39-74
390-036	B	AFHLS	39-74
390-036	S	AFHLS	39-74
390-037	A	AFHLS	39-78
390-037	B	AFHLS	39-78
390-037	S	AFHLS	39-78
390-038	A	ABCDEFGHJKLS	39-80
390-038	B	ABCDEFGHJKLS	39-80
390-038	S	ABCDEFGHJKLS	39-80
390-053	A	AFHLS	39-60
390-053	B	AFHLS	39-60
390-053	H	AFHLS	39-64
390-053	J	AFHLS	39-64
390-053	M	AFHLS	39-62
390-053	N	AFHLS	39-62
390-053	S	AFHLS	39-60
390-054	A	ABCDEFGHJKLS	39-66
390-054	B	ABCDEFGHJKLS	39-66
390-054	H	ABCDEFGHJKLS	39-68
390-054	J	ABCDEFGHJKLS	39-68
390-054	S	ABCDEFGHJKLS	39-66
390-055	H	AFHLS	39-72
390-055	J	AFHLS	39-72
390-055	M	AFHLS	39-70

**SAMPLE PART NUMBER DEVELOPMENT**



Prod. Ser. Basic No.	Angle/Profile	Connector Designator	Page
390-055	N	AFHLS	39-70
390-055	S	AFHLS	39-70
390-056	A	AFHLS	39-46
390-056	B	AFHLS	39-46
390-056	H	AFHLS	39-50
390-056	J	AFHLS	39-50
390-056	M	AFHLS	39-48
390-056	N	AFHLS	39-48
390-056	S	AFHLS	39-46
390-057	A	ABCDEFHGJKLS	39-52
390-057	B	ABCDEFHGJKLS	39-52
390-057	H	ABCDEFHGJKLS	39-54
390-057	J	ABCDEFHGJKLS	39-54
390-057	S	ABCDEFHGJKLS	39-52
390-058	H	AFHLS	39-58
390-058	J	AFHLS	39-58
390-058	M	AFHLS	39-56
390-058	N	AFHLS	39-56
390-058	S	AFHLS	39-56
390-059	H	AFHLS	39-44
390-059	J	AFHLS	39-44
390-059	S	AFHLS	39-44
390-061	P	AFHLS	39-82
390-061	R	AFHLS	39-82
390-062	P	AFHLS	39-84
390-062	R	AFHLS	39-84
400-001	A	AFHLS	40-4
400-001	B	AFHLS	40-4
400-001	C	AFHLS	40-8
400-001	D	AFHLS	40-8
400-001	F	AFHLS	40-8
400-001	H	AFHLS	40-6
400-001	J	AFHLS	40-6
400-001	S	AFHLS	40-4
400-002	A	ABCDEFHGJKLS	40-10
400-002	B	ABCDEFHGJKLS	40-10
400-002	C	ABCDEFHGJKLS	40-14
400-002	D	ABCDEFHGJKLS	40-14
400-002	F	ABCDEFHGJKLS	40-14
400-002	H	ABCDEFHGJKLS	40-12
400-002	J	ABCDEFHGJKLS	40-12
400-002	S	ABCDEFHGJKLS	40-10
400-015	C	AFHLS	40-20
400-015	D	AFHLS	40-20
400-015	F	AFHLS	40-20
400-015	H	AFHLS	40-18
400-015	J	AFHLS	40-18
400-015	S	AFHLS	40-16
410-003			41-2
401-008	H	AFHL	40-22
401-008	J	AFHL	40-22
401-008	S	AFHL	40-22
403-001	A	AFHL	40-24

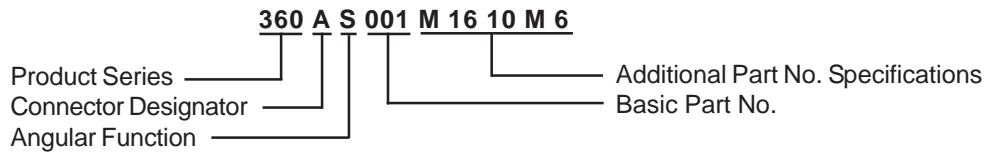
Prod. Ser. Basic No.	Angle/Profile	Connector Designator	Page
403-001	B	AFHL	40-24
403-001	S	AFHL	40-24
407-016	H	AFHL	40-26
407-016	J	AFHL	40-26
407-016	S	AFHL	40-26
407-043	H	AFHL	40-28
407-043	J	AFHL	40-28
407-043	S	AFHL	40-28
420-001	A	AFHLS	42-2
420-001	B	AFHLS	42-2
420-001	S	AFHLS	42-2
420-002	A	ABCDEFHGJKLS	42-4
420-002	B	ABCDEFHGJKLS	42-4
420-002	S	ABCDEFHGJKLS	42-4
440-001	D	ABCDEFHGJKLS	440-10
440-001	F	ABCDEFHGJKLS	440-10
440-001	H	ABCDEFHGJKLS	440-8
440-001	J	ABCDEFHGJKLS	440-8
440-001	S	ABCDEFHGJKLS	440-8
440-030	C	AFHLS	440-16
440-030	D	AFHLS	440-16
440-030	F	AFHLS	440-16
440-030	H	AFHLS	440-12
440-030	J	AFHLS	440-12
440-030	M	AFHLS	440-14
440-030	N	AFHLS	440-14
440-030	S	AFHLS	440-12
440-031	D	ABCDEFHGJKLS	440-20
440-031	F	ABCDEFHGJKLS	440-20
440-031	H	ABCDEFHGJKLS	440-18
440-031	J	ABCDEFHGJKLS	440-18
440-031	S	ABCDEFHGJKLS	440-18
440-063	C	AFHLS	440-6
440-063	D	AFHLS	440-6
440-063	F	AFHLS	440-6
440-063	H	AFHLS	440-4
440-063	J	AFHLS	440-4
440-063	S	AFHLS	440-4
440-069	C	AFHLS	440-26
440-069	D	AFHLS	440-26
440-069	F	AFHLS	440-26
440-069	H	AFHLS	440-22
440-069	J	AFHLS	440-22
440-069	M	AFHLS	440-24
440-069	N	AFHLS	440-24
440-069	S	AFHLS	440-22
440-070	C	AFHLS	440-32
440-070	D	AFHLS	440-32
440-070	F	AFHLS	440-32
440-070	H	AFHLS	440-28
440-070	J	AFHLS	440-28
440-070	M	AFHLS	440-30
440-070	N	AFHLS	440-30

# Part Number Index



A

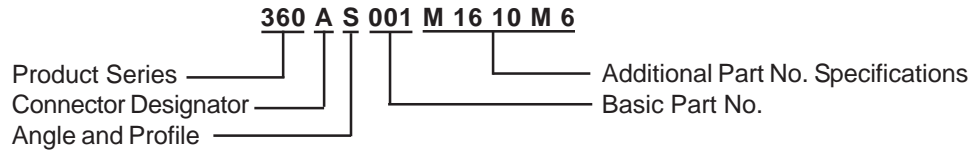
## SAMPLE PART NUMBER DEVELOPMENT



Prod. Ser. Basic No.	Angle/Profile	Connector Designator	Page
440-070	S	AFHLS	440-28
440-071	D	ABCDEFHJKLS	440-36
440-071	F	ABCDEFHJKLS	440-36
440-071	H	ABCDEFHJKLS	440-34
440-071	J	ABCDEFHJKLS	440-34
440-071	S	ABCDEFHJKLS	440-34
440-072	C	AFHLS	440-42
440-072	D	AFHLS	440-42
440-072	F	AFHLS	440-42
440-072	H	AFHLS	440-38
440-072	J	AFHLS	440-38
440-072	M	AFHLS	440-40
440-072	N	AFHLS	440-40
440-072	S	AFHLS	440-38
440-073	C	AFHLS	440-48
440-073	D	AFHLS	440-48
440-073	F	AFHLS	440-48
440-073	H	AFHLS	440-44
440-073	J	AFHLS	440-44
440-073	M	AFHLS	440-46
440-073	N	AFHLS	440-46
440-073	S	AFHLS	440-44
440-074	D	ABCDEFHJKLS	440-52
440-074	F	ABCDEFHJKLS	440-52
440-074	H	ABCDEFHJKLS	440-50
440-074	J	ABCDEFHJKLS	440-50
440-074	S	ABCDEFHJKLS	440-50
440-075	C	AFHLS	440-58
440-075	D	AFHLS	440-58
440-075	F	AFHLS	440-58
440-075	H	AFHLS	440-54
440-075	J	AFHLS	440-54
440-075	M	AFHLS	440-56
440-075	N	AFHLS	440-56
440-075	S	AFHLS	440-54
440-084	D	AFHLS	440-62
440-084	F	AFHLS	440-62
440-084	H	AFHLS	440-60
440-084	J	AFHLS	440-60
440-084	S	AFHLS	440-60
440-085	H	AFHLS	440-64
440-085	J	AFHLS	440-64
440-085	S	AFHLS	440-64
440-086	D	AFHLS	440-68
440-086	F	AFHLS	440-68
440-086	H	AFHLS	440-66
440-086	J	AFHLS	440-66
440-086	S	AFHLS	440-66
443-009	H	AFHLS	443-2
443-009	J	AFHLS	443-2
443-009	M	AFHLS	443-4
443-009	N	AFHLS	443-4
443-009	S	AFHLS	443-2

Prod. Ser. Basic No.	Angle/Profile	Connector Designator	Page
443-010	H	ABCDEFHJKLS	443-6
443-010	J	ABCDEFHJKLS	443-6
443-010	M	ABCDEFHJKLS	443-8
443-010	N	ABCDEFHJKLS	443-8
443-010	S	ABCDEFHJKLS	443-6
443-011	H	AFHLS	443-10
443-011	J	AFHLS	443-10
443-011	M	AFHLS	443-12
443-011	N	AFHLS	443-12
443-011	S	AFHLS	443-10
447-420	H	AFHLS	447-2
447-420	J	AFHLS	447-2
447-420	S	AFHLS	447-2
447-421	H	AFHLS	447-4
447-421	J	AFHLS	447-4
447-421	S	AFHLS	447-4
447-425	C	AFHLS	447-10
447-425	D	AFHLS	447-10
447-425	F	AFHLS	447-10
447-425	H	AFHLS	447-6
447-425	J	AFHLS	447-6
447-425	M	AFHLS	447-8
447-425	N	AFHLS	447-8
447-425	S	AFHLS	447-6
447-426	D	ABCDEFHJKLS	447-14
447-426	F	ABCDEFHJKLS	447-14
447-426	H	ABCDEFHJKLS	447-12
447-426	J	ABCDEFHJKLS	447-12
447-426	S	ABCDEFHJKLS	447-12
447-427	C	AFHLS	447-20
447-427	D	AFHLS	447-20
447-427	F	AFHLS	447-20
447-427	H	AFHLS	447-16
447-427	J	AFHLS	447-16
447-427	M	AFHLS	447-18
447-427	N	AFHLS	447-18
447-427	S	AFHLS	447-16
450-001	A	A	45-2
450-001	A	D	45-3
450-001	A	E	45-4
450-001	A	F	45-5
450-001	A	H	45-6
450-001	A	J	45-7
450-001	A	L	45-8
450-001	B	A	45-2
450-001	B	D	45-3
450-001	B	E	45-4
450-001	B	F	45-5
450-001	B	H	45-6
450-001	B	J	45-7
450-001	B	L	45-8
450-001	S	A	45-2
450-001	S	D	45-3

**SAMPLE PART NUMBER DEVELOPMENT**



Prod. Ser. Basic No.	Angle/Profile	Connector Designator	Page
450-001	S	E	45-4
450-001	S	F	45-5
450-001	S	H	45-6
450-001	S	J	45-7
450-001	S	L	45-8
450-043	S	A	45-9
450-043	A	A	45-9
450-043	B	A	45-9
450-043	A	F	45-10
450-043	B	F	45-10
450-043	S	H	45-11
450-043	A	H	45-11
450-043	B	H	45-11
450-043	S	L	45-12
450-043	A	L	45-12
450-043	B	L	45-12
460-001	A	AFHLS	460-4
460-001	B	AFHLS	460-4
460-001	D	AFHLS	460-4
460-001	S	AFHLS	460-4
460-002	A	ABCDEFGHJKLS	460-6
460-002	B	ABCDEFGHJKLS	460-6
460-002	D	ABCDEFGHJKLS	460-6
460-002	S	ABCDEFGHJKLS	460-6
460-003	H	G	460-8
460-003	J	G	460-8
460-003	S	G	460-8
460-011	H	AFHLS	460-10
460-011	J	AFHLS	460-10
460-011	S	AFHLS	460-10
463-001	A	AFHLS	463-2
463-001	B	AFHLS	463-2
463-001	S	AFHLS	463-2
463-002	A	ABCDEFGHJKLS	463-4
463-002	B	ABCDEFGHJKLS	463-4
463-002	S	ABCDEFGHJKLS	463-4
463-003	H	G	463-6
463-003	J	G	463-6
463-003	S	G	463-6
469-001			463-8
610-011	S	AFHLS	61-2
610-012	S	ABCDEFGHJKLS	61-3
620-001	S	A	62-12
620-001	S	J	62-20
620-002	A	A	62-13
620-003	S	AFHLS	62-2
620-004	A	AFHLS	62-3
620-006	A	AFHL	62-10
620-006	S	AFHL	62-10
620-011	A	H	62-9
620-011	S	H	62-9
620-012	A	FLS	62-8
620-012	S	FLS	62-8

Prod. Ser. Basic No.	Angle/Profile	Connector Designator	Page
620-046	A	A	62-5
620-046	S	A	62-5
620-047	B	AFHLS	62-4
620-048	A	A	62-14
620-048	A	FHLS	62-15
620-048	S	A	62-14
620-048	S	FHLS	62-15
620-049	B	AFHLS	62-16
620-050	S	E	62-18
620-051	A	G	62-7
620-051	B	G	62-7
620-051	S	G	62-6
620-053			62-21
620-054	S	D	62-17
620-054	S	F	62-19
630-003	H		63-2
630-003	J		63-2
630-005			63-4
630-006			63-6
630-007			63-8
630-008			63-10
630-022			63-12
630-023	H		63-14
630-023	J		63-14
650-001	S	B	65-6
650-001	S		65-7
650-001	S	F	65-8
650-001	S	G	65-4
650-001	S	J	65-5
650-001	S		65-10
650-001	S		65-14
650-002	S	C	65-2
650-002	S	E	65-3
650-002	S		65-7
650-002	S	F	65-9
650-002	S	J	65-5
650-002	S	H	65-11
650-007	S		65-13
650-010	S	H	65-12
650-012	S	B	65-9
660-004			66-2
660-005			66-2
660-006			66-4
660-007			66-4
660-008			66-6
660-009			66-6
660-010			66-8
660-011			66-8
660-012			66-10
660-013			66-10
660-014			66-12
660-015			66-12





Multiply	By	To Obtain	Multiply	By	To Obtain
acres	0.4047	hectares	feet per minute	0.01136	miles per hour
atmospheres	1.10133	bars	foot-pounds	0.001285	Btu
atmospheres	0.0001033	kg per square meter	foot-pounds	1.356	joules
atmospheres	760	mm of mercury at 0°C	foot-pounds	.1383	kilogram-meters
atmospheres	0.000010133	newtons per square meter	foot-pounds	0.0000003766	kilowatt-hours
atmospheres	14.7	pounds per square inch	foot-pounds	1.3557	newton-meters
bars	0.9869	atmospheres	foot-pounds per minute	0.07716	Btu per hour
bars	100000	newtons per square meter	foot-pounds per minute	0.0226	watts
Btu	778.3	foot-pounds	gallons (US liquid)	0.1337	cubic feet
Btu	0.000293	kilowatt-hours	gallons (US liquid)	0.003785	cubic meters
Btu per hour	12.96	foot-pounds per minute	gallons (US liquid)	4	quarts
Btu per minute	17.58	watts	grams	980.7	dynes
centimeters	0.03281	feet	grams	0.03527	ounce
centimeters	0.3937	inches	grams per cm	0.0056	pounds per inch
centimeters per second	1.969	feet per minute	grams per cubic cm	0.03613	pounds per cubic inch
centimeters per second	0.6	meters per minute	grams per sq. cm	2.0481	pounds per square foot
circular mils	0.000005067	square centimeters	hectares	2.471	acres
circular mils	0.0000007854	square inches	hectares	10000	square meters
circular mils	0.0005067	square millimeters	horsepower	1.014	horsepower (metric)
circular mils	0.7854	square mils	horsepower (metric)	0.9863	horsepower
cubic centimeters	0.06102	cubic inches	inches	2.54	centimeters
cubic centimeters	0.001	liters	inches	0.8333	feet
cubic feet	1728	cubic inches	inches	0.0254	meters
cubic feet	0.02832	cubic meters	inches	25.4	millimeters
cubic feet	7.481	gallons (US liquid)	inches	1000	mils
cubic feet	28.32	liters	inches	0.02778	yards
cubic inches	16.393	cubic centimeters	inches of mercury (0°C)	1.133	feet of water (4°C)
cubic inches	0.0005787	cubic feet	inches of mercury (0°C)	0.4912	pounds per square inch
cubic inches	0.00001639	cubic meters	inches of mercury (32°C)	33.86	
cubic inches	0.01639	liters	millibars		
cubic meters	35.31	cubic feet	inches of water (4°C)	0.07355	inches of mercury (0°C)
cubic meters	1000	liters	inches of water (4°C)	25.4	kg per square meter
dynes	0.00102	grams	inches of water (4°C)	0.5782	ounces per square inch
dynes	0.00001	newtons	inches of water (4°C)	5.202	pounds per square foot
dynes	0.000002248	pounds	joules	0.7376	foot-pounds
feet	30.48	centimeters	joules	9.81	kilogram-meters
feet	12	inches	kilograms	9.807	newtons
feet	0.0003048	kilometers	kilograms	2.2046	pounds
feet	0.06061	rods	kg.-calories per min.	69.77	watts
feet of water (4°C)	0.8826	inches of mercury (0°C)	kilogram-force	9.81	newtons
feet of water (4°C)	304.8	kg per square meter	kilogram-meters	7.233	foot-pounds
feet of water (4°C)	62.43	pounds per square foot	kilogram-meters	0.102	joules
feet per minute	0.508	centimeters per second	kilograms per meter	0.672	pounds per foot
feet per minute	0.3048	meters per minute	kilograms per meter	0.056	pounds per inch

# Military Part Number Reference Guide



The following cross reference lists Glenair connector accessories by military part number. It should be used as a guide to assist in finding commercial product substitutes for mil-spec products. Glenair's commercial products offer greater flexibility/options than the mil-spec products. Mil-spec products can be found in Glenair's *Military Standard Connector Accessories* catalog. If you are unable to locate a product in this catalog to satisfy your need, please contact your local Glenair sales representative or the Glenair factory for assistance.

Military Specification	Superceding Part Number	Glenair's Commercial Catalog P/N	Description	Connector Interface or Designator (Below)	Page No.
GP2000		**	NAVSEA Series GP2000 Fittings	—	**
RP2000		**	NAVSEA Series RP2000 Fittings	—	**
MS3057A	AS85049/41	620-053 Style A	Str. Strain Relief	****	62-2
MS3057B	AS85049/1	620-053 Style B	Str. Strain Relief	****	62-2
MS3057C	AS85049/2	620-053 Style C	Str. Strain Relief	****	62-2
MS3057D	AS85049/42	620-053 Style H	Str. Strain Relief	****	62-2
MS3105		650BS001	Stowage Receptacle	MIL-DTLC-5015	65-6
MS3115		650DS001	Stowage Receptacle	MIL-DTL-26482	65-2
MS3152	AS85049/53	450AS001	Str. Qwik-Ty® Strain Relief	A	45-2
MS3153	AS85049/54	450AB001	45° Qwik-Ty® Strain Relief	A	45-2
MS3154	AS85049/55	450AA001	90° Qwik-Ty® Strain Relief	A	45-2
MS3158	AS85049/60-1	310AS001	Shrink Boot Adapter	A	310-2
MS3180		660-008	Protective Cover, Plug	MIL-DTL-26482	66-6
MS3181		660-009	Protective Cover, Recept.	MIL-DTL-26482	66-6
MS3184	AS85049/34	GS3184*	Adapter	D	**
MS3186		GS3186*	Jam Nut	Various	**
MS3188A	AS85049/8	390AA001	90° EMI/RFI Environmental Backshell	A	39-12
MS3188B	AS85049/9	370AA001	90° Environmental Backshell	A	37-4
MS3188C	AS85049/24	380AA001	90° EMI/RFI Non-Environmental Backshell	A	38-14
MS3189A	AS85049/6	390AB001	45° EMI/RFI Environmental Backshell	A	39-12
MS3189B	AS85049/7	370AB001	45° Environmental Backshell	A	37-4
MS3189C	AS85049/23	380AB001	45° EMI/RFI Non-Environmental Backshell	A	38-18
MS3415	AS85049/43	620AB047	45° Strain Relief	A	62-9
MS3416E	AS85049/31	610AS011	E Nut	A	61-2
MS3416G	AS85049/60-2G	310AS002	Shrink Boot Adapter	A	310-2
MS3417	AS85049/52-1	620AS046	Str. Strain Relief	A	62-6
MS3418	AS85049/51-1	620AA046	90° Strain Relief	A	62-6
MS3419	AS85049/26-1	440AS063	Crimp Ring Adapter	A	440-4
MS3420		**	Telescoping Bushing	—	**
MS3437A	AS85049/10	390AS001	Str. EMI/RFI Environmental Backshell	A	39-12
MS3437B	AS85049/11	370AS001	Str. Environmental Backshell	A	37-4
MS3437C	AS85049/25	380AS001	Str. EMI/RFI Non-Environmental Backshell	A	38-14
MS3480		TG38	Connector Wrench	MIL-DTL-5015 & MIL-DTL-83723 Ser. 2	***
MS3481		TG39	Connector Wrench	MIL-DTL-26482 Series 1 and 2, MIL-DTL-83723 Series I, and NAS 1599	***
MS3482		TG61	Connector Wrench	MIL-C-81511 Series 1 and 3	***
MS17349		660-007	Protective Cover, Recept.	MIL-C-22992	66-4
MS17350		660-006	Protective Cover, Plug	MIL-C-22992	66-4

LEGEND		BACKSHELL CONNECTOR DESIGNATORS								
		DESIG.	SPEC.	SERIES	DESIG.	SPEC.	SERIES	DESIG.	SPEC.	SERIES
*	Original Commercial Part Number (Not Catalog #)	A	MIL-C-5015	MS3400	A	PATT 602		G	MIL-C-28840	
**	Consult Factory		MIL-C-26482	2	B	MIL-C-5015	MS3100	H	MIL-C-38999	III & IV
***	See Glenair's <i>Backshell Assembly, Banding Tools and Accessories</i> Catalog		MIL-C-81703	3	C	MIL-C-22992	MS173XX		EN3645	
****	See Glenair's <i>Composite Accessories</i> Catalog		MIL-C-83723	I & III	D	MIL-C-26482	1	J	MIL-C-81511	1, 2, 3 & 4
*****	MS "V" Thread Gen'l Duty "A" End Bell		40M39569		E	MIL-C-26500	Aluminum		VG95329	
			DEF 5326-3		F	MIL-C-38999	I & II	K	MIL-C-83723	II
			EN 2997, 3646			40M38277				
			ESC 10, 11			PAN 6433-1				
			LN 29504			PATT 614				
			NFC93422	HE302		PATT 616				
			PAN 6432-1, -2			NFC93422	HE308, 9			

Military Specification	Superceeding Part Number	Glenair's Commercial Catalog P/N	Description	Connector Interface or Designator (Below)	Page No.
MS20047	MS27502	660-013	Protective Cover, Recept.	MIL-C-38999 Series I	66-10
MS20048	MS27501	660-012	Protective Cover, Plug	MIL-C-38999 Series I	66-10
M24758/1		**	Flexible Weatherproof EMI-EMP Conduit	—	**
M24758/2		**	Str. Conduit Fitting for M24758/9 thru /19	—	**
M24758/3		**	45° Conduit Fitting for M24758/9 thru /19	—	**
M24758/4		**	90° Conduit Fitting for M24758/9 thru /19	—	**
M24758/5		**	Conduit-to-Panel Fitting	—	**
M24758/6		**	Conduit-to-Threaded Pipe Fitting	—	**
M24758/7		**	Conduit-to-Stuffing Tube	—	**
M24758/8		**	Conduit-to-Conduit Fitting	—	**
M24758/9		**	Conduit Adapter	B	**
M24758/10		**	Conduit Adapter	Triaxial Connectors	**
M24758/11		**	Conduit Adapter	Coaxial Connectors	**
M24758/12		**	Conduit Adapter	D	**
M24758/13		**	Conduit Adapter	A	**
M24758/14		**	Conduit Adapter	—	**
M24758/15		**	Conduit Adapter	MIL-C-24235 Stuffing Tube	**
M24758/16		**	Conduit Adapter for Miscellaneous Thread	—	**
M24758/17		**	Conduit Adapter for Tapered Pipe Thread	—	**
M24758/18		**	Conduit Adapter for Str. Pipe Thread	—	**
M24758/19		**	Conduit Adapter for Panel Termination	—	**
MS25042		660-004	Protective Cover, Plug	MIL-DTL-5015	66-2
MS25043		660-005	Protective Cover, Recept.	MIL-DTL-5015	66-2
MS27291		620ES050	Str. Strain Relief	E	62-12
MS27292	M83723/59-1	660-021	Protective Cover, Plug	MIL-DTL-83723 Series III Thd	66-20
MS27293	M83723/59-2	660-019	Protective Cover, Plug	MIL-DTL-83723 Series III Bay.	66-18
MS27294	M83723/60-1	660-022	Protective Cover, Recept.	MIL-DTL-83723 Series III Thd	66-20
MS27295	M83723/60-2	660-020	Protective Cover, Recept.	MIL-DTL-83723 Series III Bay.	66-18
MS27296	M83723/61-1	650ES001	Stowage Receptacle, Threaded	MIL-DTL-26500 Thd and MIL-DTL-83723 Series III Thd	65-3
MS27297	M83723/61-2	650ES002	Stowage Receptacle, Bayonet	MIL-DTL-26500 Bay. and MIL-DTL-83723 Series III Bay.	65-3
MS27342-2	AS85049/49-2	620FS012	Str. Strain Relief	F	62-7
MS27352	MS27510	660-014	Protective Cover, Plug	MIL-DTL-38999 Series II	66-12
MS27353	MS27511	660-015	Protective Cover, Recept.	MIL-DTL-38999 Series II	66-12
MS27485	AS85049/58	**	Potting Boot Adapter	F	**
MS27501		660-012	Protective Cover, Plug	MIL-DTL-38999 Series I	66-10
MS27502		660-013	Protective Cover, Recept.	MIL-DTL-38999 Series I	66-10
MS27506	AS85049/49-2	620FS054	Str. Strain Relief	F	62-17
MS27507	AS85049/47	620FA012	90° Strain Relief	F	62-7
MS27510		660-014	Protective Cover, Plug	MIL-DTL-38999 Series II	66-12
MS27511		660-015	Protective Cover, Recept.	MIL-DTL-38999 Series II	66-12
MS27512	MS3186	GS3186*	Jam Nut	MIL-DTL-38999 Series II	**
MS27514	MS3186	GS3186*	Jam Nut	MIL-DTL-38999 Series I	**
MS27558		G2221-1A*	90° Strain Relief	E	**
MS27559		G2221-1A*	90° Strain Relief	E	**
MS27668	AS85049/56	450FS001	Str. Qwik-Ty® Strain Relief	F	45-5
MS27669	AS85049/57	450FB001	45° Qwik-Ty® Strain Relief	F	45-5

### LEGEND

- \* Original Commercial Part Number (Not Catalog #)
- \*\* Consult Factory
- \*\*\* See Glenair's *Backshell Assembly, Banding Tools and Accessories Catalog*
- \*\*\*\* See Glenair's *Composite Accessories Catalog*
- \*\*\*\*\* MS "V" Thread Gen'l Duty "A" End Bell

### BACKSHELL CONNECTOR DESIGNATORS

DESIG. SPEC.	SERIES	DESIG. SPEC.	SERIES	DESIG. SPEC.	SERIES
A	MIL-DTL-5015 MS3400	A	PATT 602	G	MIL-C-28840
	MIL-DTL-26482 2	B	MIL-DTL-5015 MS3100	H	MIL-DTL-38999 III & IV EN3645
	MIL-C-81703 3	C	MIL-C-22992 MS173XX	J	MIL-C-81511 1, 2, 3 & 4
	MIL-DTL-83723 I & III 40M39569	D	MIL-DTL-26482 1		
	DEF 5326-3	E	MIL-DTL-26500 Aluminum		
	EN 2997, 3646	F	MIL-DTL-38999 I & II 40M38277	K	MIL-DTL-83723 II VG95329
	ESC 10, 11		PAN 6433-1		
	LN 29504		PATT 614		
	NFC93422 HE302		PATT 616		
	PAN 6432-1, -2		NFC93422 HE308, 9		

# Military Part Number Reference Guide



Military Specification	Superceeding Part Number	Glenair's Commercial Catalog P/N	Description	Connector Designator (Below)	Interface or (Below)	Page No.
MS27670	AS85049/63	450FA001	90° Qwik-Ty® Strain Relief	F		45-5
MS27741		410-003	Tag Ring	—		41-2
M28840/1		620GS051	Str. Strain Relief	G		62-13
M28840/2		620GA051	90° Strain Relief	G		62-7
M28840/3		620GB051	45° Strain Relief	G		62-7
M28840/4		GS28840/4*	Flexible Metal Core Conduit	—		**
M28840/5		GS28840/5*	EMI/EMP Conduit Backshell	G		**
M28840/6 A		GS28840/6A*	Str. EMI/RFI Environmental Backshell	G		**
M28840/6 B		GS28840/6B*	Str. Environmental Backshell	G		**
M28840/7		650GS001	Stowage Receptacle	MIL-C-28840		65-4
M28840/8 A		GS28840/8A*	90° Split EMI/RFI Environmental Backshell	G		**
M28840/8 B		GS28840/8B*	90° Environmental Backshell	G		**
M28840/9 A		GS28840/9A*	45° Split EMI/RFI Environmental Backshell	G		**
M28840/9 B		GS28840/9B*	45° Environmental Backshell	G		**
M28840/13		660-010	Protective Cover, Recept.	MIL-C-28840		66-8
M28840/15		660-011	Protective Cover, Plug	MIL-C-28840		66-8
M28840/22		GS28840/22*	Conduit Bushing	—		**
M28840/23		GS28840/23*	E Nut	G		**
M28840/24		GS28840/24*	Gasket	MIL-C-28840		**
M28840/25		GS28840/25*	90° EMI Adapters	MIL-C-28840		**
M28840/27		GS28840/27*	45° EMI Adapters	MIL-C-28840		**
M28840/30		GS28840/30*	Conduit Union	—		**
M38999/1	AS85049/27	610FS011	E Nut	F		61-2
M38999/2	AS85049/62	310FS001	Shrink Boot Adapter	F		310-2
M38999/3	AS85049/33-2	440FS063	Crimp Ring Adapter	F		440-4
M38999/4	AS85049/30	400-001	Tag Ring Adapter	F		40-4
M38999/5	AS85049/17	390FS012	Str. EMI/RFI Environmental Backshell	F		39-42
M38999/6	AS85049/29	360FS002	Non-Env. Strain Relief Backshell	F		36-4
M38999/7	AS85049/36	380FS008	Str. EMI/RFI Non-Environmental Backshell	F		38-38
M38999/8	AS85049/37	380FD007	90° EMI/RFI Non-Environmental Backshell	F		38-36
M38999/9		650FS001	Stowage Receptacle	MIL-DTL-38999 Series I		65-8
M38999/10		650FS002	Stowage Receptacle	MIL-DTL-38999 Series II		65-9
D38999/22		650HS010	Stowage Receptacle	MIL-DTL-38999 Series III		65-10
D38999/28		GS38999/28*	Jam Nut	MIL-DTL-38999 Series III and IV		**
D38999/32		660-023	Protective Cover, Plug, Composite	MIL-DTL-38999 Series III		66-14
D38999/33		660-024	Protective Cover, Recept., Composite	MIL-DTL-38999 Series III		66-14
D38999/50		650HS007	Stowage Receptacle	MIL-DTL-38999 Series IV		65-11
M81511/13		620JS001	Str. Strain Relief	J		62-18
M81511/14 (A,B)		390JS012	Str. RFI Environmental	J		39-42
M81511/14 (C,D)		380JS008	Str. RFI Non-Environmental Backshell	J		38-38
M81511/16		610JS012	E Nut	J		61-3
M81511/17		660-017	Protective Cover, Plug	MIL-C-81511 Series 2		66-16
M81511/18		660-018	Protective Cover, Recept.	MIL-C-81511 Series 1 and 2		66-16
M81511/19		650JS002	Stowage Receptacle	MIL-C-81511 Series 2		65-5
M81511/29		660-016	Protective Cover, Plug	MIL-C-81511 Series 1		66-16
M81511/30		650JS001	Stowage Receptacle	MIL-C-81511 Series 1		65-5
M83538/9		**	Adapter	MIL-DTL-83538/4		**
M83723/15A	AS85049/51-1	620AA046	90° Strain Relief	A		62-6

LEGEND	BACKSHELL CONNECTOR DESIGNATORS					
	DESIG. SPEC.	SERIES	DESIG. SPEC.	SERIES	DESIG. SPEC.	SERIES
* Original Commercial Part Number (Not Catalog #)	A	MIL-DTL-5015 MS3400	A	PATT 602	G	MIL-C-28840
** Consult Factory		MIL-DTL-26482 2	B	MIL-DTL-5015 MS3100	H	MIL-DTL-38999 III & IV
*** See Glenair's Backshell Assembly, Banding Tools and Accessories Catalog		MIL-C-81703 3	C	MIL-C-22992 MS173XX		EN3645
**** See Glenair's Composite Accessories Catalog		MIL-DTL-83723 I & III	D	MIL-DTL-26482 1	J	MIL-C-81511 1, 2, 3 & 4
***** MS "V" Thread Gen'l Duty "A" End Bell		40M39569	E	MIL-DTL-26500 Aluminum	K	VG95329
		DEF 5326-3	F	MIL-DTL-38999 I & II		MIL-C-83723 II
		EN 2997, 3646		40M38277		
		ESC 10, 11		PAN 6433-1		
		LN 29504		PATT 614		
		NFC93422 HE302		PATT 616		
		PAN 6432-1, -2		NFC93422 HE308, 9		



Military Specification	Superceeding Part Number	Glenair's Commercial Catalog P/N	Description	Connector Interface or Designator (Below)	Page No.
M83723/15N	AS85049/31	610AS011	E Nut	A	61-2
M83723/15S	AS85049/52-1	620AS046	Str. Strain Relief	A	62-6
M83723/16M	AS85049/60-2G	310AS034	Shrink Boot Adapter	A	310-4
M83723/27M		310KS034	Shrink Boot Adapter	K	310-3
M83723/35A		**	90° Non-Env. Strain Relief Backshell	K	**
M83723/35N		G62981*	E Nut	K	**
M83723/35S		G62976*	Non-Environmental Strain Relief Backshell	K	**
M83723/44	MS3181	660-009	Protective Cover, Recept.	MIL-DTL-26482	66-6
M83723/45	MS3115	650DS001	Stowage Receptacle	MIL-DTL-26482	65-2
M83723/46	MS3180	660-008	Protective Cover, Plug	MIL-DTL-26482	66-6
M83723/50A		GTR53*	90° Qwik-Ty® Strain Relief	K	**
M83723/50B		GTR81*	45° Qwik-Ty® Strain Relief	K	**
M83723/50R		GTR89*	Str. Qwik-Ty® Strain Relief	K	**
M83723/59-1		660-021	Protective Cover, Plug	MIL-DTL-83723 Series III Thd	66-20
M83723/59-2		660-019	Protective Cover, Plug	MIL-DTL-83723 Series III Bay.	66-18
M83723/60-1		660-022	Protective Cover, Recept.	MIL-DTL-83723 Series III Thd	66-20
M83723/60-2		660-020	Protective Cover, Recept.	MIL-DTL-83723 Series III Bay.	66-18
M83723/61-1		650ES001	Stowage Receptacle, Threaded	MIL-DTL-26500 Thd and MIL-DTL-83723 Series III Thd	65-3
M83723/61-2		650ES002	Stowage Receptacle, Bayonet	MIL-DTL-26500 Bay. and MIL-DTL-83723 Series III Bay.	65-3
M83723/70		GS83723/70*	Receptacle Adapter	MIL-DTL-83723 Series III	**
M83733/15	AS85049/28	G61570*	EMI Rectangular Backshell	MIL-DTL-83733	**
M83733/16	AS85049/44	G8179*	Rectangular Strain Relief Backshell	MIL-DTL-83733	**
AS85049/1		620-053 Style B	Strain Relief	*****	62-2
AS85049/2		620-053 Style C	Strain Relief	*****	62-2
AS85049/3 1		GS85049/3*	Str. Environmental Backshell	C	**
AS85049/3 2		GS85049/3*	Str. Environmental Backshell	C	**
AS85049/3 3		GS85049/3*	Str. Environmental Backshell	C	**
AS85049/4 1		GS85049/4*	Str. Environmental Backshell	C	**
AS85049/4 2		GS85049/4*	Str. Environmental Backshell	C	**
AS85049/4 3		GS85049/4*	Str. Environmental Backshell	C	**
AS85049/5 1		GS85049/5*	Str. Environmental Backshell	C	**
AS85049/5 2		GS85049/5*	Str. Environmental Backshell	C	**
AS85049/5 3		GS85049/5*	Str. Environmental Backshell	C	**
AS85049/6		390AB001	45° EMI/RFI Environmental Backshell	A	39-12
AS85049/7		370AB001	45° Environmental Backshell	A	37-4
AS85049/8		390AA001	90° EMI/RFI Environmental Backshell	A	39-12
AS85049/9		370AA001	90° Environmental Backshell	A	37-4
AS85049/10		390AS001	Str. EMI/RFI Environmental Backshell	A	39-12
AS85049/11		370AS001	Str. Environmental Backshell	A	37-4
AS85049/14S		610HS006*	E Nut, Self Locking	H	**
AS85049/15G		450HB020*	45° Qwik-Ty® Strain Relief, Self-Lock. w/ Ground Lug	H	**
AS85049/15S		450HB020*	45° Qwik-Ty® Strain Relief, Self-Locking	H	**
AS85049/16G		450HS020*	90° Qwik-Ty® Strain Relief, Self-Lock. w/ Ground Lug	H	**
AS85049/16S		450HS020*	90° Qwik-Ty® Strain Relief, Self-Locking	H	**

### LEGEND

- \* Original Commercial Part Number (Not Catalog #)
- \*\* Consult Factory
- \*\*\* See Glenair's *Backshell Assembly, Banding Tools and Accessories* Catalog
- \*\*\*\* See Glenair's *Composite Accessories* Catalog
- \*\*\*\*\* MS "V" Thread Gen'l Duty "A" End Bell

### BACKSHELL CONNECTOR DESIGNATORS

DESIG. SPEC.	SERIES	DESIG. SPEC.	SERIES	DESIG. SPEC.	SERIES
A	MIL-DTL-5015 MS3400	A	PATT 602	G	MIL-C-28840
	MIL-DTL-26482 2	B	MIL-DTL-5015 MS3100	H	MIL-DTL-38999 III & IV EN3645
	MIL-C-81703 3	C	MIL-C-22992 MS173XX	J	MIL-C-81511 1, 2, 3 & 4
	MIL-DTL-83723 I & III	D	MIL-DTL-26482 1	K	VG95329
	40M39569	E	MIL-DTL-26500 Aluminum		MIL-DTL-83723 II
	DEF 5326-3	F	MIL-DTL-38999 I & II		
	EN 2997, 3646		40M38277		
	ESC 10, 11		PAN 6433-1		
	LN 29504		PATT 614		
	NFC93422 HE302		PATT 616		
	PAN 6432-1, -2		NFC93422 HE308, 9		



# Military Part Number Reference Guide



Military Specification	Superceding Part Number	Glenair's Commercial Catalog P/N	Description	Connector Interface or Designator (Below)	Page No.
AS85049/17		390FS012	Str. EMI/RFI Environmental Backshell	F	39-42
AS85049/18		390HS011	Str. EMI/RFI Environmental Backshell	H	39-38
AS85049/19		380HS007	Str. EMI/RFI Non-Environmental Backshell	H	38-30
AS85049/20		440FS063	Crimp Ring Adapter	H	440-4
AS85049/21		360HS002	Non-Environmental Strain Relief Backshell	H	36-4
AS85049/23		380AB001	45° EMI/RFI Non-Environmental Backshell	A	38-14
AS85049/24		380AA001	90° EMI/RFI Non-Environmental Backshell	A	38-14
AS85049/25		380AS001	Str. EMI/RFI Non-Environmental Backshell	A	38-14
AS85049/26-1		440AS063	Crimp Ring Adapter	A	440-4
AS85049/26-2		GS85049/26-2*	Crimp Ring	—	**
AS85049/26-3		440AS063	Crimp Ring Adapter with Crimp Ring	A	440-4
AS85049/27		610FS011	E Nut	F	61-2
AS85049/27S		610FS007*	E Nut, Self Locking	F	**
AS85049/28		G61570*	EMI Rectangular Backshell	MIL-DTL-83733	**
AS85049/29		360FS002	Non-Environmental Strain Relief Backshell	F	36-4
AS85049/30		400-001	Tag Ring Adapter	F	40-4
AS85049/31		610AS011	E Nut	A	61-2
AS85049/31S		610AS005*	E Nut, Self Locking	A	**
AS85049/32-1		**	Adapter, Non-Env., RFI, 90°	F	**
AS85049/32-2		**	Adapter	—	**
AS85049/33-1		**	Adapter, Non-Env., RFI, Str.	F	**
AS85049/33-2		440FS063	Crimp Ring Adapter	F	440-4
AS85049/34		GS3184*	Adapter	D (MS3114 and MS3124 Only)	32-3
AS85049/36		380FS008	Str. EMI/RFI Non-Environmental Backshell	F	38-38
AS85049/37		380FD007	90° EMI/RFI Non-Environmental Backshell	F	38-36
AS85049/38		620HS011	Str. Strain Relief	H	62-8
AS85049/38S		620HS048	Str. Strain Relief, Self-Locking	H	62-11
AS85049/38SS		**	Str. Strain Relief, Self-Locking, St. Steel	H	**
AS85049/39		620HA011	90° Strain Relief	H	62-8
AS85049/39S		620HA048	90° Strain Relief, Self-Locking	H	62-11
AS85049/39SS		**	90° Strain Relief, Self-Locking, St. Steel	H	**
AS85049/41		620-053 Style A	Str. Strain Relief	*****	62-2
AS85049/42		620-053 Style H	Str. Strain Relief	*****	62-2
AS85049/43		620AB047	45° Strain Relief	A	62-9
AS85049/44		G8179*	Rectangular Strain Relief Backshell	MIL-DTL-83733	**
AS85049/45		GS85049/45*	Str. Strain Relief	F	**
AS85049/46		GS85049/46*	90° Strain Relief	F	**
AS85049/47		620FA012	90° Strain Relief	F	62-7
AS85049/47S		620FA048	90° Strain Relief, Self-Locking	F	62-11
AS85049/47SS		620FA048Z1	90° Strain Relief, Self-Locking (Steel)	F	62-11
AS85049/48-1		**	Rectangular Strain Relief Backshell	MIL-DTL-24308	**
AS85049/48-2		**	Rectangular Strain Relief Backshell	MIL-DTL-24308	**
AS85049/48-3		**	Rectangular Strain Relief Backshell	MIL-DTL-24308	**
AS85049/49-2		620FS012	Str. Strain Relief	F	62-7
AS85049/49-2S		620FS048	Str. Strain Relief, Self-Locking	F	62-11
AS85049/49-2SS		620FS048Z1	Str. Strain Relief, Self-Locking (Steel)	F	62-11
AS85049/50		**	90° Rectangular Strain Relief Backshell	MIL-DTL-24308	**
AS85049/51-1		620AA046	90° Strain Relief	A	62-6

LEGEND	BACKSHELL CONNECTOR DESIGNATORS					
	DESIG. SPEC.	SERIES	DESIG. SPEC.	SERIES	DESIG. SPEC.	SERIES
* Original Commercial Part Number (Not Catalog #)	A	MIL-DTL-5015 MS3400	A	PATT 602	G	MIL-C-28840
** Consult Factory		MIL-DTL-26482 2	B	MIL-DTL-5015 MS3100	H	MIL-DTL-38999 III & IV
*** See Glenair's Backshell Assembly, Banding Tools and Accessories Catalog		MIL-C-81703 3	C	MIL-C-22992 MS173XX		EN3645
**** See Glenair's Composite Accessories Catalog		MIL-DTL-83723 I & III	D	MIL-DTL-26482 1	J	MIL-C-81511 1, 2, 3 & 4
***** MS "V" Thread Gen'l Duty "A" End Bell		40M39569	E	MIL-DTL-26500 Aluminum		VG95329
		DEF 5326-3	F	MIL-DTL-38999 I & II	K	MIL-C-83723 II
		EN 2997, 3646		40M38277		
		ESC 10, 11		PAN 6433-1		
		LN 29504		PATT 614		
		NFC93422 HE302		PATT 616		
		PAN 6432-1, -2		NFC93422 HE308, 9		

Military Specification	Superceding Part Number	Glenair's Commercial Catalog P/N	Description	Connector Interface or Designator (Below)	Page No.
AS85049/51S		620AA048	90° Strain Relief, Self-Locking	A	62-10
AS85049/52-1		620AS046	Str. Strain Relief	A	62-6
AS85049/52S		620AS048	Str. Strain Relief, Self-Locking	A	62-10
AS85049/53	AS85049/52	450AS001	Str. Qwik-Ty® Strain Relief	A	45-2
AS85049/54	AS85049/43	450AB001	45° Qwik-Ty® Strain Relief	A	45-2
AS85049/55	AS85049/51	450AA001	90° Qwik-Ty® Strain Relief	A	45-2
AS85049/55G	AS85049/51S	450AA021*	90° Qwik-Ty® Str. Rel., Self Lock., Gr. Lug	A	**
AS85049/55S	AS85049/51S	450AA021*	90° Qwik-Ty® Strain Relief, Self-Locking	A	**
AS85049/56		450FS001	Str. Qwik-Ty® Strain Relief	F	45-5
AS85049/57		450FB001	45° Qwik-Ty® Strain Relief	F	45-5
AS85049/57G		450FB022*	45° Qwik-Ty® Str. Rel., Self Lock., Gr. Lug	F	**
AS85049/57S		450FB022*	45° Qwik-Ty® Strain Relief, Self-Locking	F	**
AS85049/58		GS85049/58*	Potting Boot Ring	F	**
AS85049/59		310CS034	Shrink Boot Adapter	C	310-4
AS85049/60-1		310AS001	Shrink Boot Adapter	A	310-2
AS85049/60-2G		310AS034	Shrink Boot Adapter	A	310-4
AS85049/61		GS27332*	Potting Boot Ring	MIL-C-27599	**
AS85049/62		310FS001	Shrink Boot Adapter	F	310-2
AS85049/63		450FA001	90° Qwik-Ty® Strain Relief	F	45-5
AS85049/63G		450FA022*	90° Qwik-Ty® Str. Rel., Self Lock., Gr. Lug	F	**
AS85049/63S		450FA022*	90° Qwik-Ty® Strain Relief, Self Locking	F	**
AS85049/69		310HS001	Shrink Boot Adapter	H	310-2
AS85049/74		**	Potting Boot	—	**
AS85049/75		**	Potting Boot	—	**
AS85049/76		390FL011	90° EMI/RFI Environmental Backshell	F	39-40
AS85049/77		390FK011	45° EMI/RFI Environmental Backshell	F	39-40
AS85049/78		390HK011	45° EMI/RFI Environmental Backshell	H	39-40
AS85049/79		390HL011	90° EMI/RFI Environmental Backshell	H	39-40
AS85049/82		440AS069	Str. Banding Backshell	A	44-22
AS85049/83		440AH069	45° Banding Backshell	A	44-22
AS85049/84		440AJ069	90° Banding Backshell	A	44-22
AS85049/85		440FS069	Str. Banding Backshell	F	44-22
AS85049/86		440FH069	45° Banding Backshell	F	44-22
AS85049/87		440FJ069	90° Banding Backshell	F	44-22
AS85049/88		440HS069	Str. Banding Backshell	H	44-22
AS85049/89		440HH069	45° Banding Backshell	H	44-22
AS85049/90		440HJ069	90° Banding Backshell	H	44-22
AS85049/91		620HS042	Str. Strain Relief, Composite Material	H	****
AS85049/92		620HA042	90° Strain Relief, Composite Material	H	****
AS85049/93		687-207	Banding Split Ring	—	****
AS85049/94***		**	Mounting Device, Full Perimeter	Various	**
AS85049/95***		**	Mounting Device, 3/4 Perimeter	Various	**
AS85049/96***		**	Mounting Device, 1/4 Perimeter	Various	**
ASM85528/1***		**	Mounting Device, Full Perimeter	Various	**
ASM85528/2***		**	Mounting Device, 3/4 Perimeter	Various	**
ASM85528/3***		**	Mounting Device, 1/4 Perimeter	Various	**
M90563		660-007	Protective Cover, Receptacle	MIL-C-22992	66-4
M90564		660-007	Protective Cover, Plug	MIL-C-22992	66-4

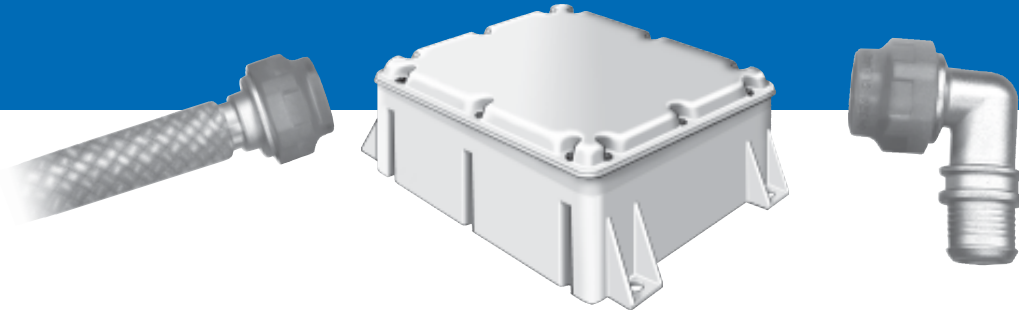
### LEGEND

- \* Original Commercial Part Number (Not Catalog #)
- \*\* Consult Factory
- \*\*\* See Glenair's *Backshell Assembly, Banding Tools and Accessories Catalog*
- \*\*\*\* See Glenair's *Composite Accessories Catalog*
- \*\*\*\*\* MS "V" Thread Gen'l Duty "A" End Bell

### BACKSHELL CONNECTOR DESIGNATORS

DESIG. SPEC.	SERIES	DESIG. SPEC.	SERIES	DESIG. SPEC.	SERIES
A	MIL-DTL-5015 MS3400	A	PATT 602	G	MIL-C-28840
	MIL-DTL-26482 2	B	MIL-DTL-5015 MS3100	H	MIL-DTL-38999 III & IV
	MIL-C-81703 3	C	MIL-C-22992 MS173XX		EN3645
	MIL-DTL-83723 I & III	D	MIL-DTL-26482 1	J	MIL-C-81511 1, 2, 3 & 4
	40M39569	E	MIL-DTL-26500 Aluminum		
	DEF 5326-3	F	MIL-DTL-38999 I & II		VG95329
	EN 2997, 3646		40M38277	K	MIL-C-83723 I
	ESC 10, 11		PAN 6433-1		
	LN 29504		PATT 614		
	NFC93422 HE302		PATT 616		
	PAN 6432-1, -2		NFC93422 HE308, 9		

# Four Reasons to Choose Composites for Your Next Interconnect Application



***Glenair's composite interconnect components are manufactured from high-grade engineering thermoplastics for the toughest application environments. Specifically geared for high-performance air, sea and space applications, Glenair's line of composite interconnect components are ideally suited for systems which require electromagnetic compatibility, reliable environmental protection and long-term durability. Here's why:***

**Corrosion Resistance:** One of the most appealing attributes of composites is their unlimited corrosion resistance as compared to conventional metal materials. Aluminum interconnect components, for example, are subject to galvanic coupling which causes the material to be "sacrificed" to its cadmium/nickel plating. Since high-temperature plastic is not sacrificial to plating, finished products last longer, require less maintenance and so directly reduce the overall cost of ownership of the interconnect system.

**Vibration Dampening:** Unlike metals, polymer plastics are less subject to harmonic resonance due to their lighter weight and inherent attenuating properties. Which means threaded components made from these materials are far less likely to vibrate loose when subjected to prolonged periods of vibration and shock. Again, reduced maintenance and reduced cost of ownership are the major benefits realized by systems built from vibration dampening composite thermoplastics.

**Weight Reduction:** Composites can provide increased strength at lighter weights than conventional materials. Weight savings for composites over aluminum are approximately 40% (depending on component design). Savings versus other materials are even more pronounced: 60% for titanium; 80% for stainless steel and brass. Composite materials directly reduce aircraft empty weights and increase fuel fractions—resulting in smaller, lower-cost aircraft that use less fuel to perform a given mission.

**Stealth:** The reduction of electromagnetic signatures, corrosion-related magnetic signatures and acoustic signatures is critical to the development of stealth applications. Signatures are those characteristics by which systems may be detected, recognized, and engaged. The reduction of these signatures can improve survivability of military systems, leading to improved effectiveness and fewer casualties. Composites are at the heart of a broad range of advanced stealth application development projects.

*See [www.glenair.com](http://www.glenair.com) for complete information*



## Table of Contents

Product Selection Guide	1
How to Order Connector Backshells	7
Calculating Wire Bundle Diameter	8
Table I Backshell Interface Dimensions	13
Table II Standard Materials and Finishes	14
Backshell Interface Standards and Connector Designators	15
Connector Designator "B" Ordering Information for MIL-C-5015 Connector Fittings	18
Interface Dimensions for MIL-C-5015 Connector Fittings	19
Non-Standard Connector Reference Data	20
Style 1/Style 2 Backshells - Rotatable Couplings	21
Style 1/Style 2 Backshells - Direct Couplings	22
Military Standard Connector Index	23
Connector-Backshell Interface Index	30
Connector Manufacturers' Index	34
Connector Series Alpha-Numeric Index	38
Recommended Torque Values	39
Shrink Boot Reference Information	40
Mod Code -445 "NESTOR" Reference Information	41
Backshell to Connector Assembly Tools	42
Banding System Shield termination Tools	44
Series 310 Shrink Boot Adapters	310-1
Series 311 Shrink Boot, EMI/RFI, Strain Relief	311-1
Series 319 Shrink Boot, EMI/RFI, Braided Sock	319-1
Series 32 Extender Backshells	32-1
Series 33 Pipe Thread Adapters	33-1
Series 34 Shorting Cap Backshell	34-1
Series 36 Non-Environmental Backshells	36-1
Series 37 Environmental Backshells	37-1
Series 38 EMI/RFI Non-Environmental Backshells	38-1
Series 39 EMI/RFI Environmental Backshells	39-1
Series 40 TAG® Ring Backshells	40-1
Series 41 TAG® Ring Shield Termination	41-1
Series 42 Sealtite/Liquidtite Conduit Backshells	42-1
Series 440 Banding and Crimp Ring Backshells	440-1
Series 443 Cable Sealing Band-in-a-Can Backshells	443-1
Series 447 Non-Environmental Band-in-a-Can Backshells	447-1
Series 45 Qwik-Ty® Strain Reliefs	45-1
Series 460 EMI/RFI G-Spring Backshells	460-1
Series 463 EMI/RFI Split Backshells	463-1
Series 61 "E" Nuts	61-1
Series 62 Strain Reliefs	62-1
Series 63 Bulkhead Fittings, Thru-Mount and Flange Mount	63-1
Series 65 Dummy Stowage Receptacles	65-1
Series 66/78 Protective Covers	66-1
Series 67 Protective Cover Attachments	67-1
Series 68 Miscellaneous Accessories	68-1
Appendix A Part Number Index	A-1
Appendix B Military Part Number Reference Guide	B-1

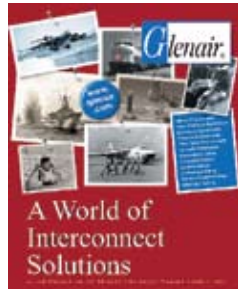
\* For easy reference, Tables I and II are duplicated inside the back cover fold-out.



# The world's broadest selection of interconnect hardware—in stock and ready for immediate same-day shipment

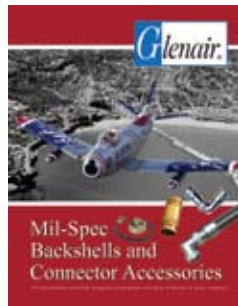
## Glenair's World of Interconnect Solutions Capability Brochure

A color overview of Glenair's unique range of interconnect products and services. Available in English, French, German and Japanese.



## Mil-Spec Backshells and Connector Accessories

This helpful Glenair catalog lists hundreds of Mil-Spec Backshells and Connector Accessory part numbers from backshells of all types to conduit, covers, backshell assembly tools, strain reliefs and fiber optic termini.



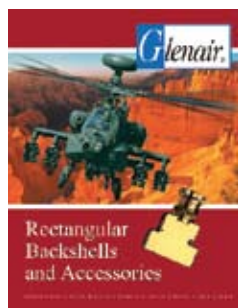
## Convolved Tubing, Braiding, and Flexible Metal-Core Conduit Systems

A 128-page catalog showing Glenair's line of plastic & metal-core conduit; loaded with fittings, sleeving, jacketing, and complete factory assembly services.

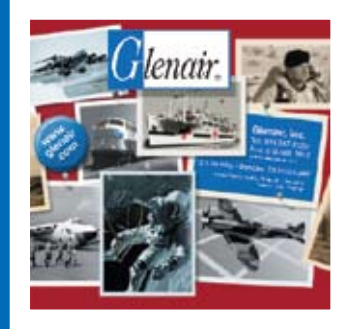


## Rectangular Backshells and Accessories

A comprehensive catalog of Glenair rectangular rack and panel style backshells and accessories. Includes MIL-C-24308, MIL-C-83733, MIL-C-81659, MIL-DTL-83513, MIL-C-83527, ARINC, Cannon and Hypertronics.



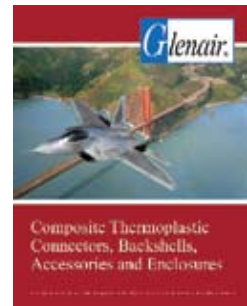
Order Glenair's Interconnect **Product Guide CD** for detailed information about our complete line of products



Everything you need to know about Glenair is on this disc, which includes catalogs, brochures, white papers, data sheets and more. Pop this CD into your computer and breeze through the world's broadest selection of interconnect products, solutions and services.

## Composite Thermoplastic Connectors, Backshells, and Enclosures

Glenair is the world's leading supplier of composite solutions. Glenair has made an across-the-board commitment to integrate composites into every facet of the electrical interconnect system.



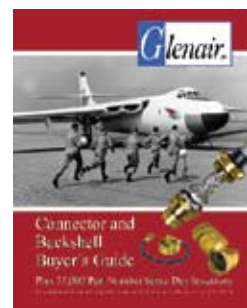
## Shipboard Interconnect Hardware

Glenair's unique line of shipboard interconnect products includes MIL-C-24758 conduit systems, cable shield grounding assemblies, feed-through fittings, Sigmaform backshells and more.



## Connector and Backshell Buyer's Guide

A complete introduction to backshells and connector hardware, featuring Glenair's enormous 35,000 part number Same-Day inventory—the largest and most complete in the world.



Visit us at [www.glenair.com](http://www.glenair.com) and use the literature order form for immediate catalog fulfillment



# A World of Interconnect Solutions

## Glenair, Inc.

1211 Air Way • Glendale, California • 91201-2497

Telephone: 818-247-6000 • Fax: 818-500-9912 • [sales@glenair.com](mailto:sales@glenair.com)

[www.glenair.com](http://www.glenair.com)

---

**Glenair Power  
Products Group**  
25 Village Lane  
Wallingford, CT  
06492

Telephone:  
203-741-1115  
Facsimile:  
203-741-0053  
[sales@glenair.com](mailto:sales@glenair.com)

---

**Glenair UK Ltd**  
40 Lower Oakham Way  
Oakham Business Park  
P.O. Box 37, Mansfield  
Notts, NG18 5BY England

Telephone:  
44-1623-638100  
Facsimile:  
44-1623-638111  
[sales@glenair.co.uk](mailto:sales@glenair.co.uk)

---

**Glenair Microway Systems**  
7000 North Lawndale Avenue  
Lincolnwood, IL  
60712

Telephone:  
847-679-8833  
Facsimile:  
847-679-8849

---

**Glenair Nordic AB**  
Gustav III : S Boulevard 46  
S - 169 27 Solna  
Sweden

Telephone:  
46-8-50550000  
Facsimile:  
46-8-50550001  
[sales@glenair.se](mailto:sales@glenair.se)

---

**Glenair Electric GmbH**  
Siemensstrasse 9  
D-61449 Steinbach  
Germany

Telephone:  
49-6171-5905-0  
Facsimile:  
49-6171-5905-90  
[germany@glenair.com](mailto:germany@glenair.com)

---

**Glenair Iberica**  
C/ La Vega, 16  
45612 Velada  
Spain

Telephone:  
34-925-89-29-88  
Facsimile:  
34-925-89-29-87  
[sales@glenair.es](mailto:sales@glenair.es)

---

**Glenair Italia S.R.L.**  
Via Santi, 1  
20037 Paderno Dugnano  
Milano, Italy

Telephone:  
39-02-9108-2121  
Facsimile:  
39-02-9904-3565  
[sales-italia@glenair.it](mailto:sales-italia@glenair.it)

---

**Glenair France SARL**  
7, Avenue Parmentier  
Immeuble Central Parc #2  
31200 Toulouse  
France

Telephone:  
33-5-34-40-97-40  
Facsimile:  
33-5-61-47-86-10  
[sales@glenair.fr](mailto:sales@glenair.fr)