

MISSION-CRITICAL  
INTERCONNECT  
SOLUTIONS



# El Ochito<sup>®</sup> OCTAXIAL CONTACTS

Ethernet, SuperSpeed USB, HDMI, DisplayPort, SATA

For Series 23 SuperNine<sup>®</sup>, Series 80 Mighty Mouse, Series 28  
HiPer-D<sup>®</sup>, Series 79, ARINC 600 and EPXB Connectors

NOVEMBER 2019 - 3RD EDITION



HIGH-SPEED  
CONTACT  
TECHNOLOGY

# El Ochito®

High-speed octaxial contacts for Ethernet,  
SuperSpeed USB and multi-gigabit datalinks



**H**igh speed, harsh environment El Ochito® octaxial contacts save size and weight. Suitable for aircraft avionics, weapons systems, satellites, radars, communications equipment and other aerospace/defense gear. El Ochito® contacts are optimized for 10G Ethernet, SuperSpeed USB and other multi-gigabit datalink protocols including HDMI, DisplayPort and SATA.



El Ochito® White

1000BASE-T  
10GBASE-T



El Ochito® Blue

SuperSpeed  
USB 3.0



El Ochito® Red

HDMI  
SATA  
DisplayPort

**G**lenair®

Glenair, Inc.  
1211 Air Way  
Glendale, CA 91201-2497  
818-247-6000  
sales@glenair.com  
www.glenair.com

## Introduction and Table of Contents

### El Ochito®

The Octaxial Contact  
for 10Gb Ethernet,  
SuperSpeed USB and  
Multi-Gigabit Data Rates



El Ochito® White      El Ochito® Blue      El Ochito® Red

- 10GbE, SuperSpeed USB, and multi-gigabit shielded pairs
- Crimp shield termination and threaded (serviceable) shield termination contact types
- Snap-in, rear release
- Environmentally protected
- Aerospace-grade performance

El Ochito® contacts are intended for harsh environment military and aerospace data networks. El Ochito® contacts provide up to 50% total weight savings and 20 times faster data rates compared to legacy quadax-based solutions. These contacts have eight crimp signal pins housed in a machined, gold plated outer contact. El Ochito® contacts are compatible with ARINC 600, EPXB connectors, Series 80 Mighty Mouse, Series 79 Ultraminiature Rectangular and Series 23 SuperNine® (MIL-DTL-38999 type) connectors. These size 8 contacts are available in three versions: El Ochito® White for 10GbE Ethernet, El Ochito® Blue for SuperSpeed USB, and El Ochito® Red for multi-gigabit 100 ohm protocols such as HDMI and SATA.

### El Ochito® Contacts

Protocols, Exploded Views of Type 1 and Type 2 Contacts.....	2
Ordering Information.....	3
Technical Data and Sealing Boots.....	5
Assembly Tools.....	6
Dimensions.....	7

### El Ochito® Signal Integrity Data

10GBASE-T Category 6A Compliance Testing for El Ochito® White.....	9
USB Compliance Testing for El Ochito® Blue.....	10

### Bulk Cable for El Ochito® Contacts

Aerospace-Grade, Category 6A Cable for El Ochito White.....	12
Aerospace-Grade, SuperSpeed USB 3.0 Cable for El Ochito Blue.....	14
Aerospace-Grade, HDMI and Display Port Cable for El Ochito Red.....	15
Aerospace-Grade, High-Speed Cable for El Ochito Red.....	16

### Pre-Wired El Ochito® Cable Assemblies

El Ochito® White Assemblies with Category 6A Ethernet Cable.....	17
El Ochito® Blue Assemblies for SuperSpeed USB.....	20
El Ochito® Red Assemblies for Multi-Gigabit Data.....	24

### El Ochito® Test Adapters for SuperNine® Connectors

Test Adapters.....	28
--------------------	----

### El Ochito® PCB Transition Adapters

858-025 El Ochito® PCB Transition Adapters.....	30
---	----

### El Ochito® Connector Selection Guide

El Ochito® Connector Selection Guide.....	31
---	----

## Protocols, Exploded Views of Type I and Type II Contacts

### El Ochito® White



#### 1000BASE-T, 10GBASE-T

El Ochito® White octaxial contacts provide 10GbE in a single size #8 contact cavity (compared to two Quadrax) for 100BASE-T solutions.

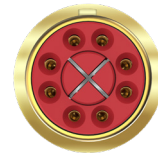
### El Ochito® Blue



#### SuperSpeed USB

*Low-dielectric material. 90 ohms.* El Ochito® Blue octaxial contacts provide an aerospace-grade solution for SuperSpeed USB 3.0

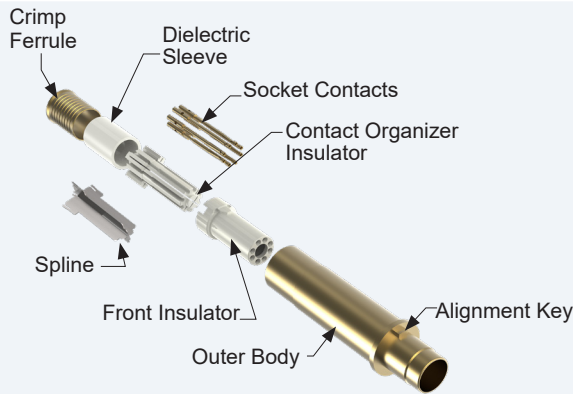
### El Ochito® Red



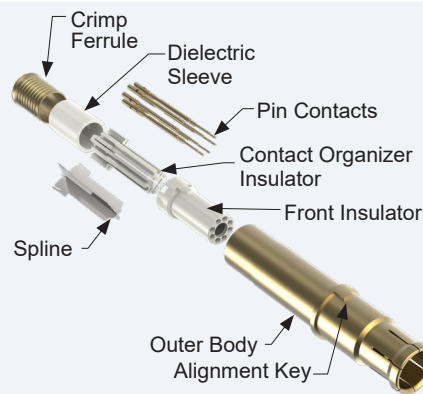
#### HDMI, DisplayPort, SATA

*Low-dielectric material. Up to 5 Gbps. 100 ohms.* El Ochito® Red octaxial contacts provide an aerospace-grade solution for multi-gigabit data rates.

### El Ochito® Type I Contacts, Non-Serviceable 26 AWG, Crimp Wire Shield Termination



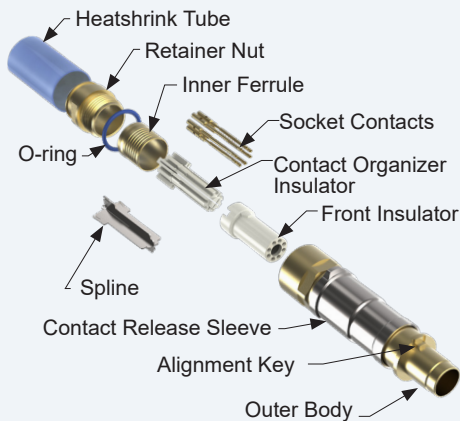
#### Type I Pin Contact



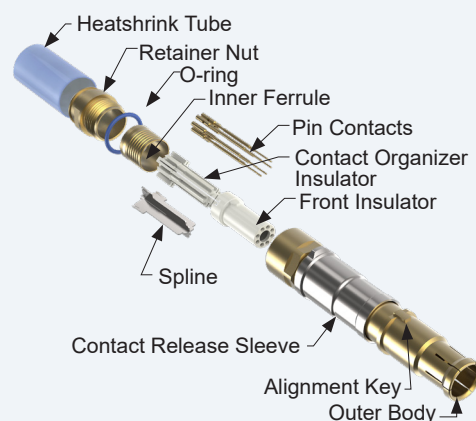
#### Type I Socket Contact

### El Ochito® Type II Contacts, Serviceable

24-26 AWG, Threaded Wire Shield Termination, Integral Contact Release Sleeve



#### Type II Pin Contact



#### Type II Socket Contact



## Ordering Information: El Ochito® White Contacts

El Ochito® Contacts: How To Order								
					<b>Data Protocol: 10G Ethernet</b> El Ochito® White			
Connector Type	Wire Size	Cable Type	Cable		El Ochito® Type I		El Ochito® Type II	
			Glenair Part No. <i>(Mfgr. P/N)</i>	Cable Dia.	Pin Contact <i>Assembly Instr.</i>	Skt Contact <i>Assembly Instr.</i>	Pin Contact <i>Assembly Instr.</i>	Skt Contact <i>Assembly Instr.</i>
ARINC 600	26	S/UTP	963-003-26 (PIC E6A3826)	.220 (5.56)	858-009-01 AI85074-01	858-010-01 AI85074-01		
		S/FTP	963-033-26 (Gore RCN9047-26)	.220 (5.56)	858-009-02 AI85084-01	858-010-02 AI85084-01		
Series 23 SuperNine®  Series 801 and 805 Mighty Mouse  Series 28 HiPer-D®	24	S/UTP	963-037-24	.260 (6.60)			858-005-03 AI85097-03	858-006-03 AI85097-03
		S/FTP	963-033-24	.260 (6.60)			858-005-04 AI85097-04	858-006-04 AI85097-04
	26	S/UTP	963-003-26 (PIC E6A3826)	.220 (5.56)	858-003-01F AI85048-01	858-004-01F AI85048-01	858-005-01 AI85097-01	858-006-01 AI85097-01
		S/FTP	963-033-26 (Gore RCN9047-26)	.220 (5.56)	858-003-02F AI85048-02	858-004-02F AI85048-02	858-005-02 AI85097-01	858-006-02 AI85097-01
Series 792	24		963-037-24 (PIC E6A3824)	.260 (6.60)			858-043-03 AI85134-03	858-042-03 AI85134-03
			963-033-24 (Gore RCN9047-24)	.260 (6.60)			858-043-04 AI85134-04	858-042-04 AI85134-04
	26	S/UTP	963-003-26 (PIC E6A3826)	.220 (5.56)	858-045-01F AI85048-01	858-046-01F AI85048-01	858-043-01 AI85134-01	858-042-01 AI85134-01
		S/FTP	963-033-26 (Gore RCN9047-26)	.220 (5.56)	858-045-02F AI85048-02	858-046-02F AI85048-02	858-043-02 AI85134-02	858-042-02 AI85134-02
Series 806	24	S/UTP	963-037-24 (PIC E6A3824)	.260 (6.60)			858-051-03 AI85149-03	858-052-03 AI85149-03
		S/FTP	963-033-24 (Gore RCN9047-24)	.260 (6.60)			858-051-04 AI85149-04	858-052-04 AI85149-04
	26	S/UTP	963-003-26 (PIC E6A3826)	.220 (5.56)	858-045-01F AI85048-01	858-046-01F AI85048-01	858-051-01 AI85149-01	858-052-01 AI85149-01
		S/FTP	963-033-26 (Gore RCN9047-26)	.220 (5.56)	858-045-02F AI85048-02	858-046-02F AI85048-02	858-051-02 AI85149-02	858-052-02 AI85149-02
EPXB	26	S/UTP	963-003-26 (PIC E6A3826)	.220 (5.56)	858-014-02F AI85099-01	858-015-02F AI85099-01		
		S/FTP	963-033-26 (Gore RCN9047-26)	.220 (5.56)	858-014-01F AI85105-01	858-015-01F AI85105-01		

## Ordering Information: El Ochito® Blue and Red Contacts

### El Ochito® Contacts: How To Order



#### Data Protocol: SuperSpeed USB El Ochito® Blue

Connector Type	Wire Size	Cable Type	Cable		El Ochito® Type I	
			Glenair Part No.	Cable Dia.	Pin Contact Assembly Instr.	Socket Contact Assembly Instr.
Series 792 and 806	26	Commercial Grade (PVC Jacket)	963-118	.217 (5.51)	858-047-01F AI85114-02	858-048-01F AI85114-02
		Aerospace Grade (Fluoropolymer Jacket)	963-110	.236 (5.99)	858-047-02F AI85090-01	858-048-02F AI85090-01
Series 23 SuperNine® Series 801 and 805 Mighty Mouse Series 28 HiPer-D®	26	Commercial Grade (PVC Jacket)	963-118	.217 (5.51)	858-028-01F AI85114-02	858-029-01F AI85114-02
		Aerospace Grade (Fluoropolymer Jacket)	963-110	.236 (5.99)	858-028-02F AI85090-01	858-029-02F AI85090-01
ARINC 600	26	Commercial Grade (PVC Jacket)	963-118	.217 (5.51)	858-038-01 AI85124-01	858-035-01 AI852124-01
		Aerospace Grade (Fluoropolymer Jacket)	963-110	.236 (5.99)	858-038-02 AI85124-02	858-035-02 AI85124-02



#### Data Protocol: HDMI/SATA/DisplayPort/General High-Speed El Ochito® Red

Connector Type	Wire Size	Cable Type	Cable		El Ochito® Type I	
			Glenair Part No.	Cable Dia.	Pin Contact Assembly Instr.	Socket Contact Assembly Instr.
Series 792 and 806	26	4 Pair S/FTP	1Gb/s and above 963-122-X*	.299 (7.59)	858-049-01F* AI85048-02	858-050-01F* AI85048-02
Series 23 SuperNine® Series 801 and 805 Mighty Mouse Series 28 HiPer-D®	26		Up to 1Gb/s 963-033-26	.220 (5.56)	858-030-02F* AI85048-02	858-031-02F* AI85048-02
ARINC 600	26		HDMI/Display Port 963-120-X* 963-127-X*	.429 (10.9) .330 (8.38)	858-039-01 AI85084-01	858-037-01 AI85084-01
Series 792 and 806	26	Parallel Pair Twinax	SATA 963-043-26 [2 pcs.]	.116 x .071 (2.95 x 1.80)	858-049-02 AI85084-02	858-050-02 AI85084-02
Series 23 SuperNine® Series 801 and 805 Mighty Mouse Series 28 HiPer-D®	26				858-030-03 AI85084-03	858-031-03 AI85084-03
ARINC 600	26				858-039-02 AI85084-02	858-037-02 AI85084-02

\* Omit F when using this cable

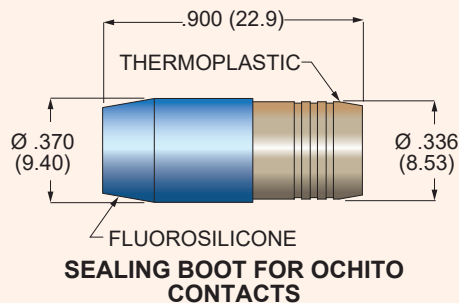


## Technical Data and Sealing Boots

Technical Data		
Specifications	Construction	Connector Compatibility
<ul style="list-style-type: none"> <li>■ <b>Operating temperature:</b> El Ochito<sup>®</sup> White: -65° to +175°C El Ochito<sup>®</sup> Blue: -65° to +125°C El Ochito<sup>®</sup> Red: -65° to +125°C</li> <li>■ <b>Impedance:</b> El Ochito<sup>®</sup> White: 100 ohms El Ochito<sup>®</sup> Blue: 90 ohms El Ochito<sup>®</sup> Red: 100 ohms</li> <li>■ <b>Dielectric withstanding voltage:</b> 500 Vrms</li> <li>■ <b>Current Rating:</b> 1.5 A</li> <li>■ <b>Insulation resistance:</b> 5000 megohms min.</li> <li>■ <b>Durability:</b> 500 mating cycles</li> <li>■ <b>Vibration:</b> MIL-DTL-38999 Series III</li> <li>■ <b>Shock:</b> MIL-DTL-38999 Series III</li> </ul>	<ul style="list-style-type: none"> <li>■ <b>Inner contacts, outer contact, ferrules, retaining nut:</b> copper alloy, 50 microinches gold over nickel plating</li> <li>■ <b>Insulators:</b> El Ochito<sup>®</sup> White: PPS, natural color El Ochito<sup>®</sup> Blue: low-dielectric constant thermoplastic, blue El Ochito<sup>®</sup> Red: low-dielectric constant thermoplastic, red</li> <li>■ <b>O-ring:</b> fluorosilicone</li> <li>■ <b>Heatshrink tubing:</b> PVDF</li> <li>■ <b>Contact release sleeve:</b> stainless steel, passivated</li> <li>■ <b>Sealing boot grommet:</b> fluorosilicone</li> <li>■ <b>Sealing boot body:</b> rigid thermoplastic, PEI or equivalent</li> <li>■ <b>Spline, El Ochito<sup>®</sup> White:</b> copper alloy, nickel plating</li> <li>■ <b>Spline, El Ochito<sup>®</sup> Red and Blue:</b> Polyimide</li> </ul>	<ul style="list-style-type: none"> <li>■ <b>El Ochito<sup>®</sup> contacts have an alignment key and are not suitable for use in standard MIL-DTL-38999 connectors</b></li> <li>■ Series 80 Mighty Mouse with keyed size 8 cavities</li> <li>■ Series 792 Ultraminiature Rectangular</li> <li>■ 233-217 and 233-224 SuperNine<sup>®</sup> with keyed size 8 cavities</li> <li>■ ARINC 600 quadaxial inserts</li> <li>■ EPXB quadrax inserts</li> <li>■ Series 28 HiPer-D<sup>®</sup> connectors (280-082 and 280-083)</li> </ul>

### Sealing Boot

An "F" suffix in the contact part number indicates the contact is supplied with a sealing boot. To order these contacts without sealing boots, delete the "F" suffix from the part number. Sealing boots are not supplied with 858-005, 858-006, 858-009, 858-010, 858-035, 858-037, 858-038 and 858-039 contacts.



**SEALING BOOT FOR OCHITO CONTACTS**

**687-754-8-8**

FOR .220 (5.56) DIAMETER CABLES

**687-754-8-9**

FOR .236 (6.0) DIAMETER CABLES

## Assembly Tools

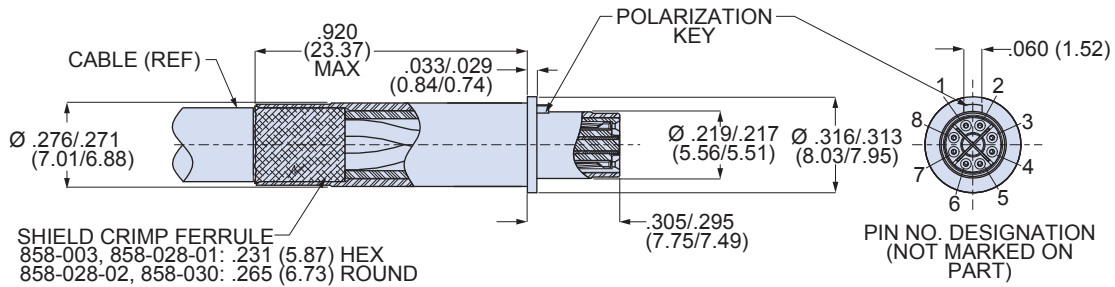
Assembly Tools										
Contact PN	Inner Contact Crimp		Cable Shield Hex Crimp		Cable Shield Round Crimp			Key Alignment Tool	Ferrule Insertion Tool	Mounting Tool
	Tool	Positioner	Tool	Hex Die	Tool	Positioner 1	Positioner 2			
858-003	809-015	859-101	809-129	859-007				600-236	600-242	600-263
858-004	809-015	859-101	809-129	859-007				600-235	600-242	600-264
858-005	809-015	859-101						600-236		600-263
858-006	809-015	859-101						600-235		600-264
858-009	809-015	859-101	809-129	859-007				600-244	600-242	600-265
858-010	809-015	859-101	809-129	859-007				600-243	600-242	600-266
858-014	809-015	859-101	809-129	859-007				600-244	600-242	600-265
858-015	809-015	859-101	809-129	859-007				600-243	600-242	600-266
858-028-01	809-015	859-101	809-129	859-007				600-236	600-242	600-263
858-028-02	809-015	859-101			809-134	859-184-2	859-184-3	600-236	600-242	600-263
858-029-01	809-015	859-101	809-129	859-007				600-235	600-242	600-264
858-029-02	809-015	859-101			809-134	859-184-1	859-184-2	600-235	600-242	600-264
858-030-02	809-015	859-101	809-129	859-007				600-236	600-242	600-263
858-031-02	809-015	859-101	809-129	859-007				600-235	600-242	600-264
858-035-01	809-015	859-101	809-129	859-007				600-243	600-242	600-266
858-035-02	809-015	859-101	809-129	859-186				600-243	600-242	600-266
858-037-01	809-015	859-101	809-129	859-007				600-243	600-242	600-266
858-038-01	809-015	859-101	809-129	859-007				600-244	600-242	600-265
858-038-02	809-015	859-101	809-129	859-186				600-244	600-242	600-265
858-039-01	809-015	859-101	809-129	859-007				600-244	600-242	600-265
858-042	809-015	859-101						600-233		600-267
858-043	809-015	859-101						600-236		600-264
858-045	809-015	859-101	809-129	859-007					600-242	600-267
858-046	809-015	859-101	809-129	859-007				600-235	600-242	600-264
858-047-01	809-015	859-101	809-129	859-007					600-242	600-267
858-047-02	809-015	859-101	809-129	859-007					600-242	600-267
858-048-01	809-015	859-101	809-129	859-007				600-235	600-242	600-264
858-048-02	809-015	859-101			809-134	859-184-4	859-184-5	600-235	600-242	600-264
858-049	809-015	859-101	809-129	859-007					600-242	600-267
858-050-01	809-015	859-101	809-129	859-007				600-235	600-242	600-264

Inner Contact Crimp Tools		Cable Shield Crimp Tools				Removal Tool
<b>809-015</b> (M22520/2-01)	<b>859-101</b> (K1906)	<b>809-129</b> (M22520/5-01)	<b>859-007</b> (M22520/5-45)	<b>859-186</b>	<b>859-134</b> (GS206)	<b>859-049</b> (M81969/14-12)
Key Alignment Tools		Ferrule Insertion Tool	Mating Pin or Socket Tools			Contact factory for available alignment inspection tools for use with existing assemblies.
<b>600-235 &amp; 600-243</b> Socket contact	<b>600-236 &amp; 600-244</b> Pin contact	<b>600-242</b>	<b>600-264 &amp; -266</b> Socket Contact	<b>600-263, -265, &amp; -267</b> Pin Contact		

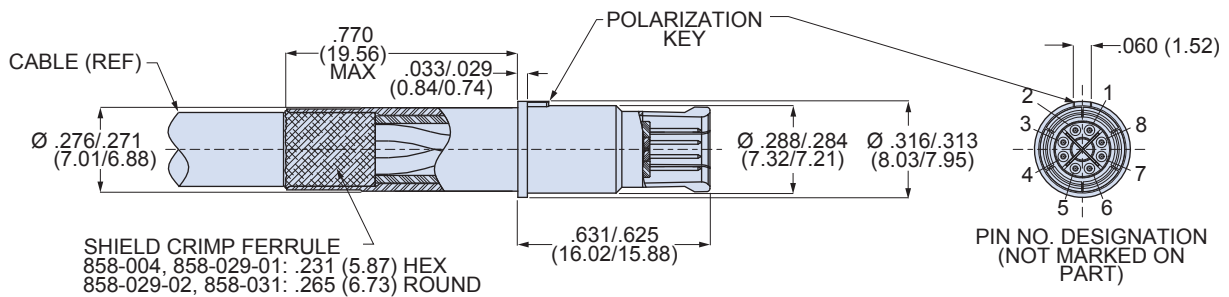


## Dimensions: MIL-DTL-38999, Series III

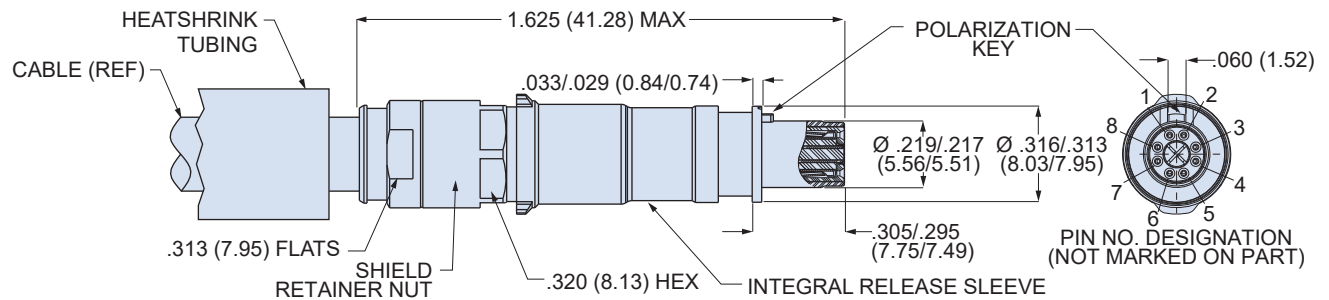
### El Ochito® Type I Pin Contact 858-003, 858-028, and 858-030 for MIL-DTL-38999, Series III



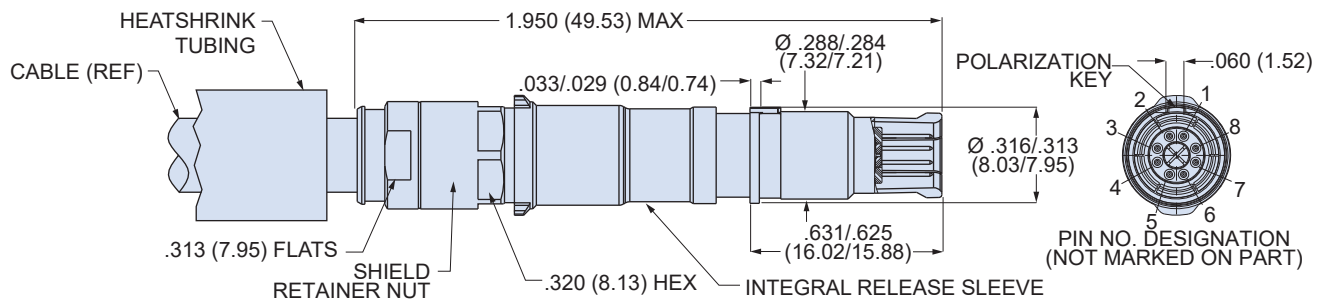
### El Ochito® Type I Socket Contact 858-004, 858-029, and 858-031 for MIL-DTL-38999, Series III



### El Ochito® Type II Pin Contact 858-005 for MIL-DTL-38999, Series III

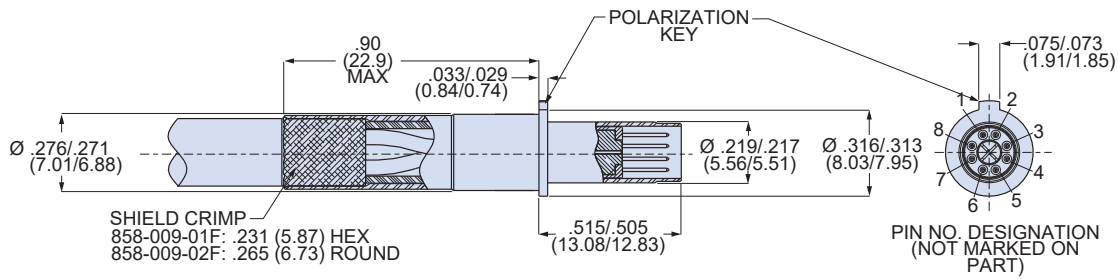


### El Ochito® Type II Socket Contact 858-006 for MIL-DTL-38999, Series III

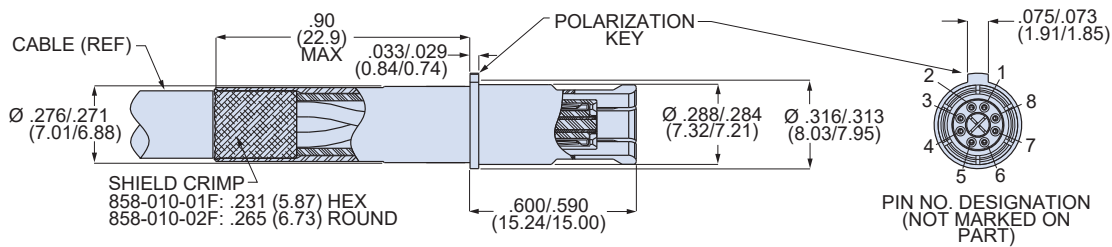


## Dimensions: ARINC 600 and EPXB

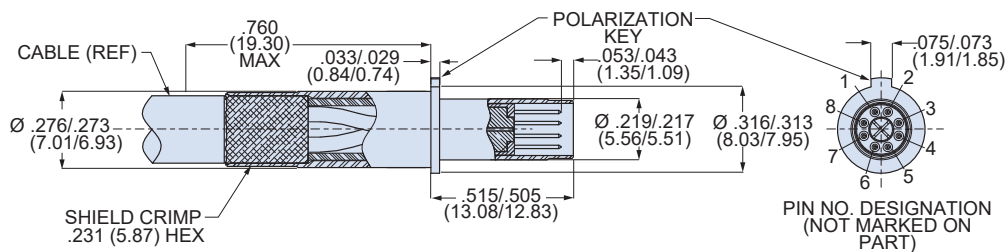
### El Ochito<sup>®</sup> Pin Contact 858-009, 858-038, and 858-039 for ARINC 600 Connectors



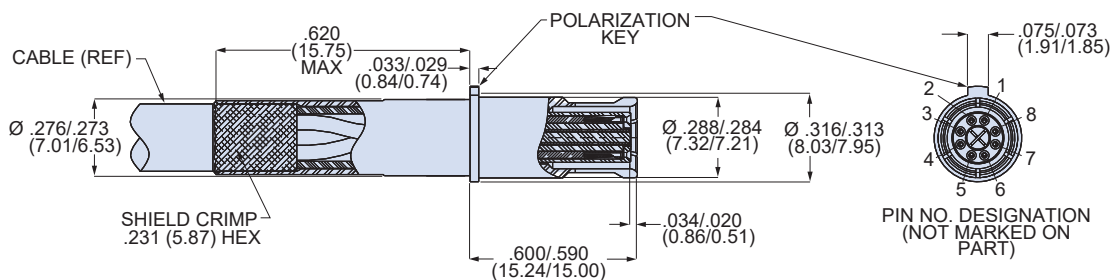
### El Ochito<sup>®</sup> Socket Contact 858-010, 858-035 and 858-037 for ARINC 600 Connectors



### El Ochito<sup>®</sup> Pin Contact 858-014 for EPXB Connectors



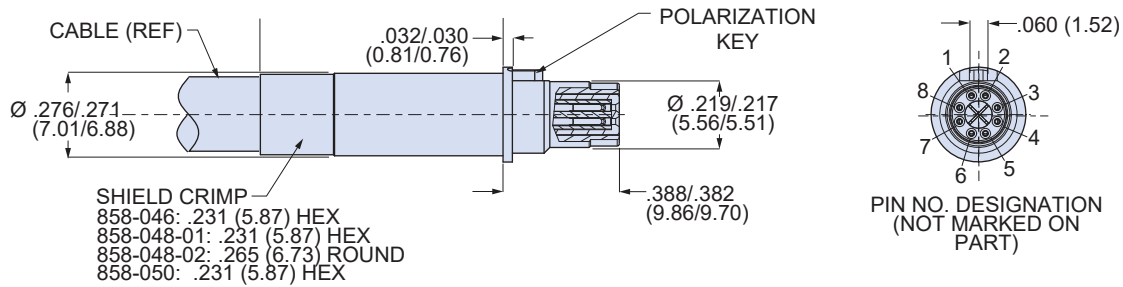
### El Ochito<sup>®</sup> Socket Contact 858-015 White for EPXB Connectors



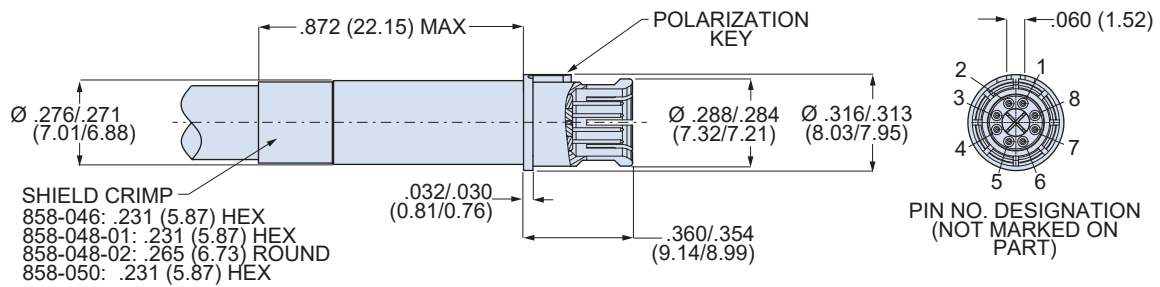


## Dimensions: Series 792 and 806

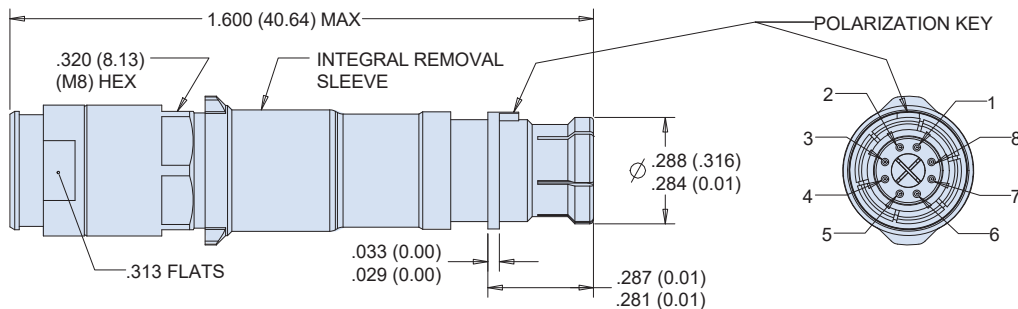
### El Ochito® Type I, Pin Contact 858-045, 858-047 and 858-049 Series 792 and 806 Connectors



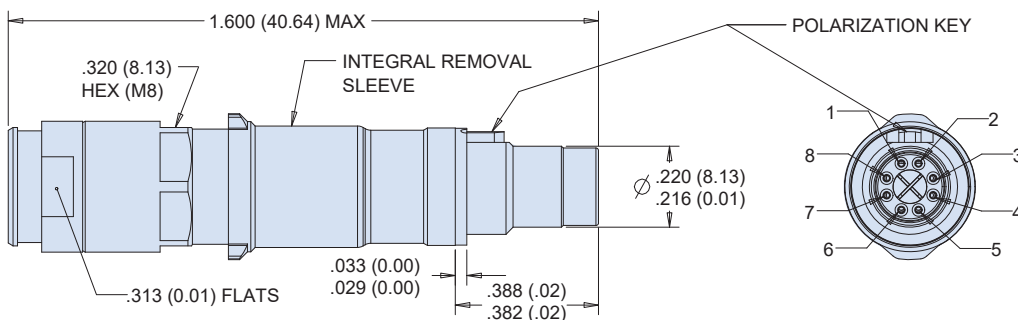
### El Ochito® Type I, Socket Contact 858-046, 858-048 and 858-050 Series 792 and 806 Connectors



### El Ochito® Type II, Socket Contact 858-042, Series 792 Connectors

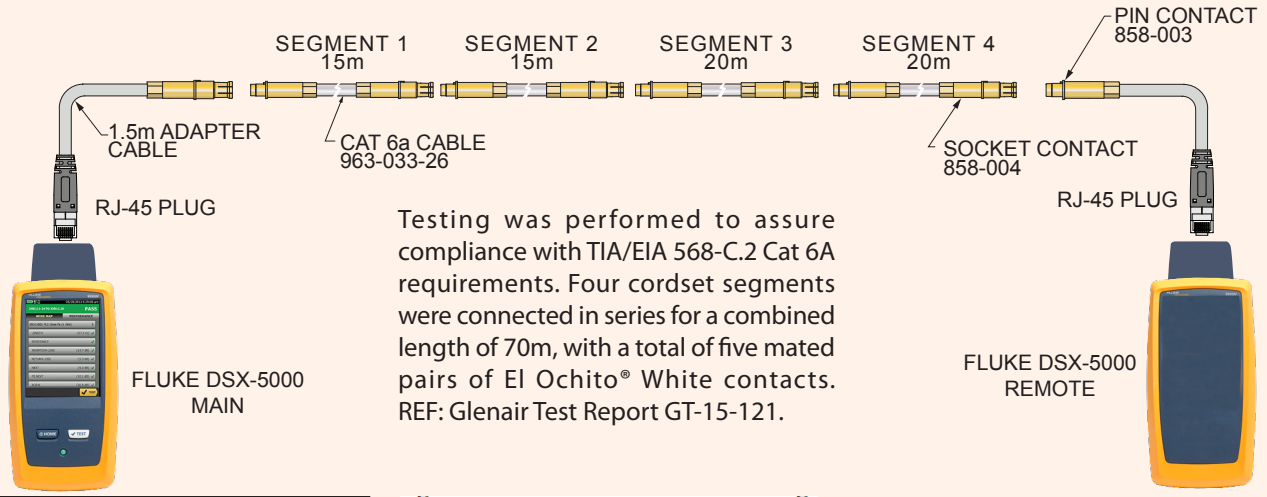


### El Ochito® Type II, Pin Contact 858-043 Series 792 Connectors

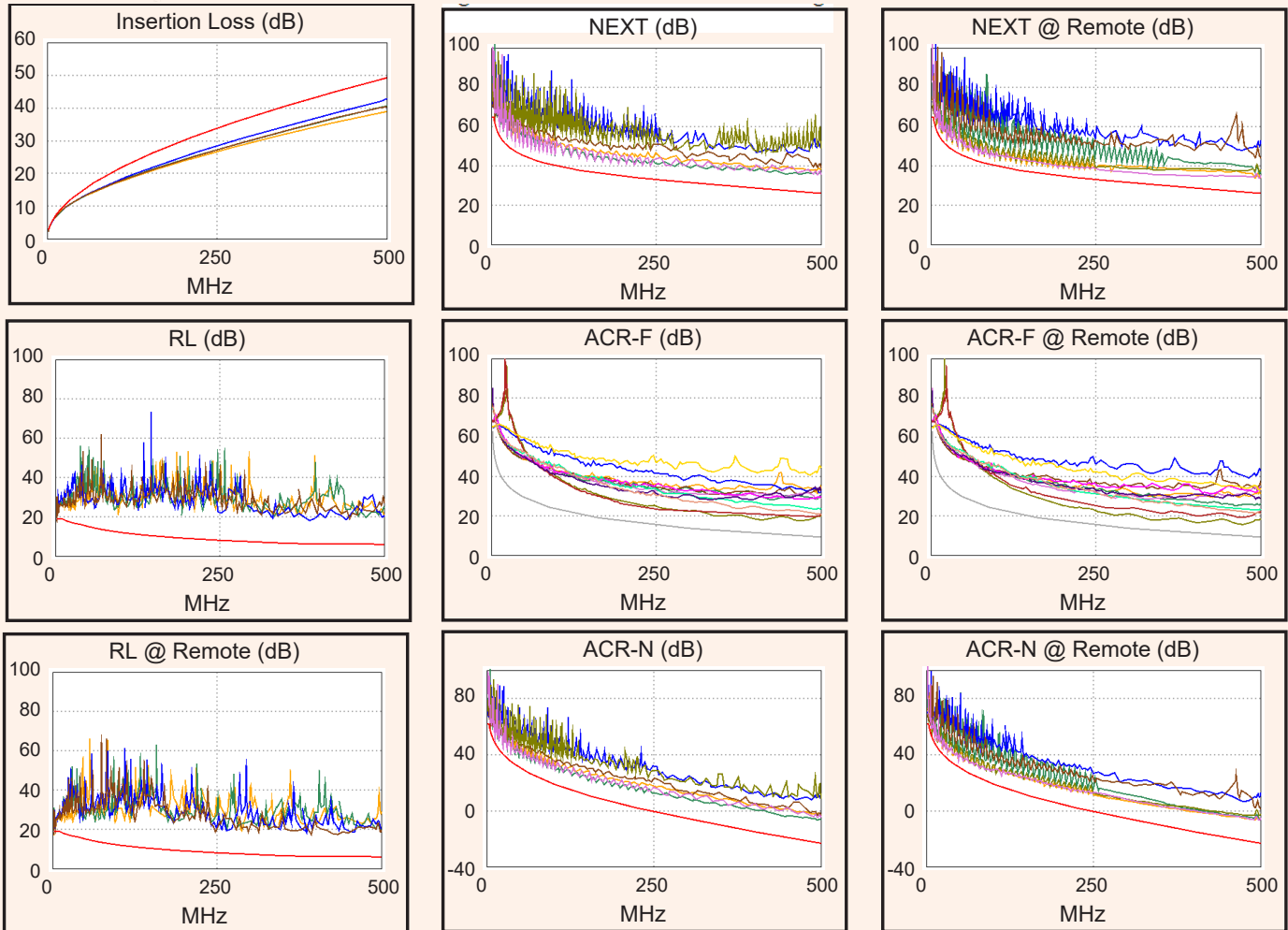


## Signal Integrity Data: El Ochito<sup>®</sup> White

### 10GBase-T Category 6A Compliance Testing for El Ochito<sup>®</sup> White



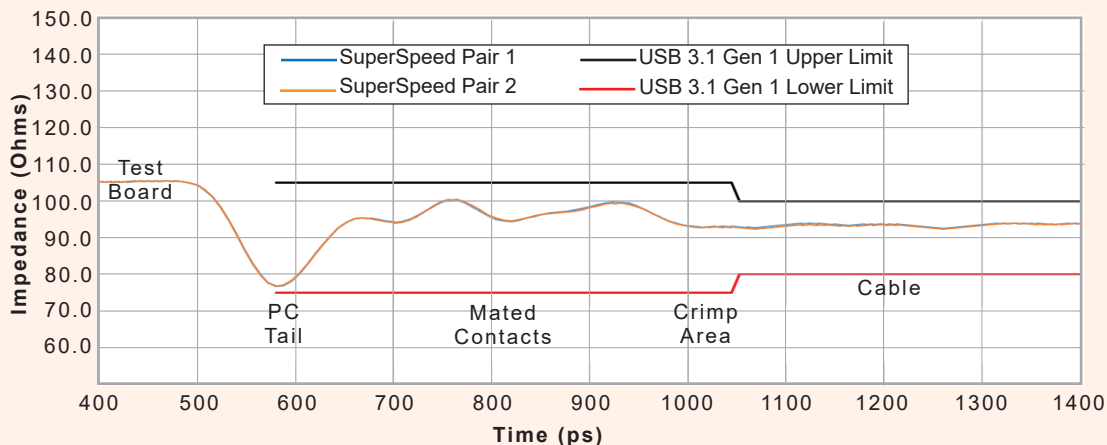
Testing was performed to assure compliance with TIA/EIA 568-C.2 Cat 6A requirements. Four cordset segments were connected in series for a combined length of 70m, with a total of five mated pairs of El Ochito<sup>®</sup> White contacts. REF: Glenair Test Report GT-15-121.



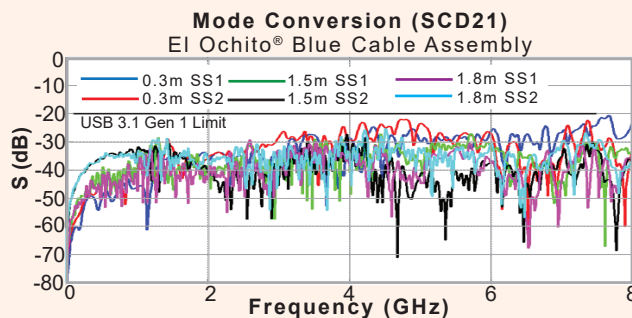
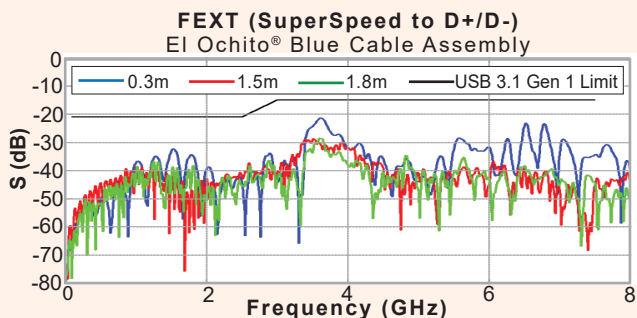
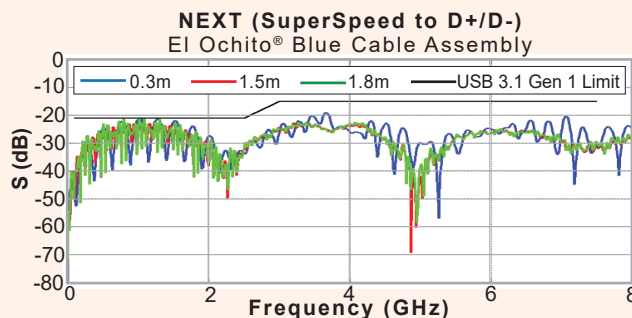
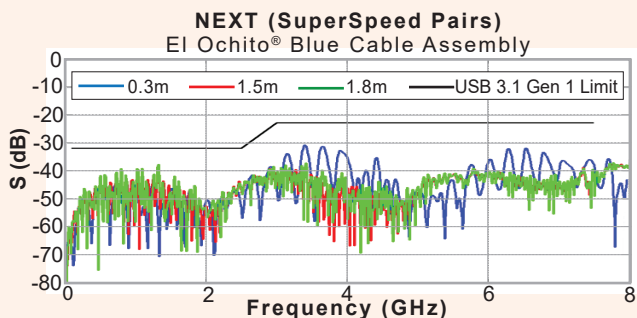
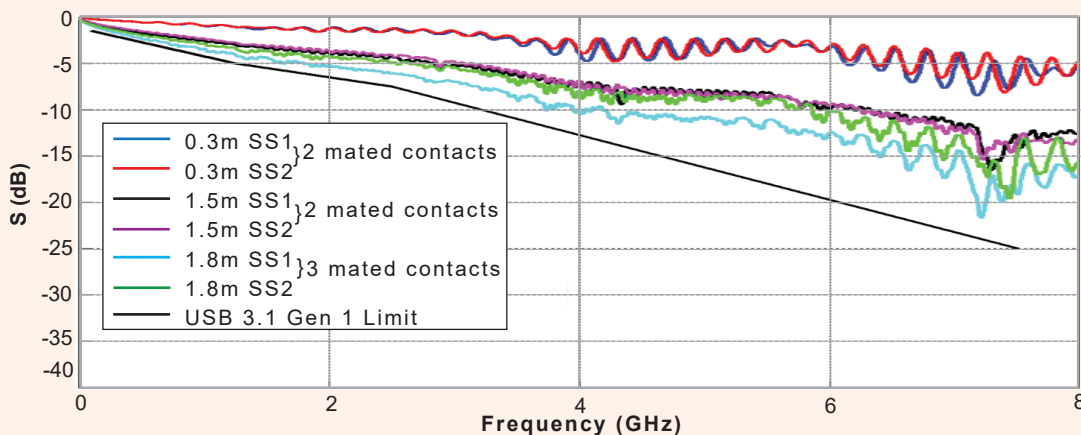
## Signal Integrity Data: El Ochito<sup>®</sup> Blue

### SuperSpeed USB 3.0 Compliance Testing for El Ochito<sup>®</sup> Blue

**TDR Profile**  
50ps RT 20%-80%  
El Ochito<sup>®</sup> Blue  
PC tail contact to  
Cable Assembly



**De-Embedded Insertion Loss**  
El Ochito<sup>®</sup> Blue  
Cable Assembly



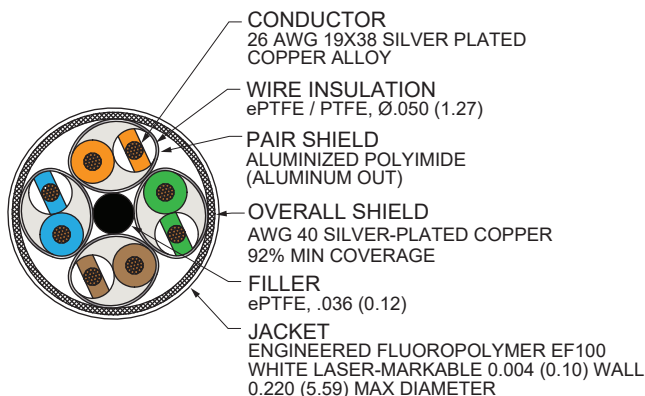
## 26 AWG Category 6A Ethernet Cables for El Ochito® White

### 26 AWG S/FTP Cat 6A Cable

Glenair Part Number	963-033-26
Manufacturer Part Number	RCN9047-26
Manufacturer	Gore

S/FTP 26 AWG cable has an individual foil shield around each data pair for reduced crosstalk and attenuation. This high data rate Ethernet cable features a unique cable jacket material and high-density construction that significantly reduces weight and diameter. Meets ANSI/TIA 568-C.2 Category 6A requirement up to 213 feet/65 meters. **Qualified to SAE AS6070/5 and /6.**

#### Construction Details



#### Color Code

Pair #1 Blue, White/Blue · Pair #2 Orange, White/Orange · Pair #3 Green, White/Green · Pair #4 Brown, White/Brown

#### Specifications

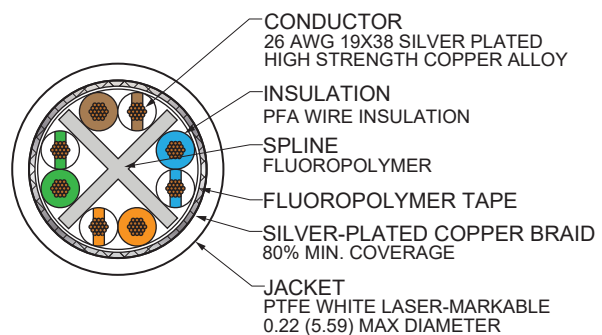
Impedance (ohms)	100 (+10 -5)	
Temperature Rating	-65° to +200°C	
Weight (lbs/1000 ft.)	32.0	
Capacitance (pF/ft)	12.5	
Time Delay	1.24 ns/ft	
Maximum Attenuation at 65m Length	Frequency	dB
	10 MHz	5.9
	100 MHz	19.1
	250 MHz	31.1
	500 MHz	45.3
NEXT (minimum)	Frequency	dB
	1 MHz	74.3
	10 MHz	59.2
	100 MHz	52.3
	250 MHz	47.9
	500 MHz	42.2

### 26 AWG S/UTP Cat 6A Cable

Glenair Part Number	963-003-26
Manufacturer Part Number	E6A3826
Manufacturer	PIC

S/UTP 26 AWG cable delivers 10 Gigabit performance and is small, lightweight and flexible. Twisted pairs are separated by a fluoropolymer spline for reduced crosstalk and attenuation. This 200° C rated cable is Skydrol resistant, RoHS compliant and meets FAA FAR Parts 23 and 25 Appendix F flammability requirements. Rugged, laser-markable PTFE jacket withstands abrasion and chemicals. Meets ANSI/TIA-568-C.2 Category 6A performance up to 214 feet/ 65 meters.

#### Construction Details



#### Color Code

Pair #1 Blue, White/Blue · Pair #2 Orange, White/Orange · Pair #3 Green, White/Green · Pair #4 Brown, White/Brown

#### Specifications

Impedance (ohms)	100	
Temperature Rating	-55° to +200°C	
Weight (lbs/100 ft.)	3.3	
Capacitance (pF/ft)	14.5	
Minimum Bend Radius (inches)	0.66	
Velocity of Propagation %	70.0	
Dielectric Voltage Rating (kV rms)	1.5	
DC Resistance, Max (ohms/1000 ft.)	44.8	
Max Distance in Feet (m)	214 (65)	
Attenuation Nom / Max	Frequency	dB/100 ft.
	10 MHz	2.6 / 3.0
	100 MHz	8.2 / 9.7
	250 MHz	13.2 / 15.8
	500 MHz	19.3 / 23.0



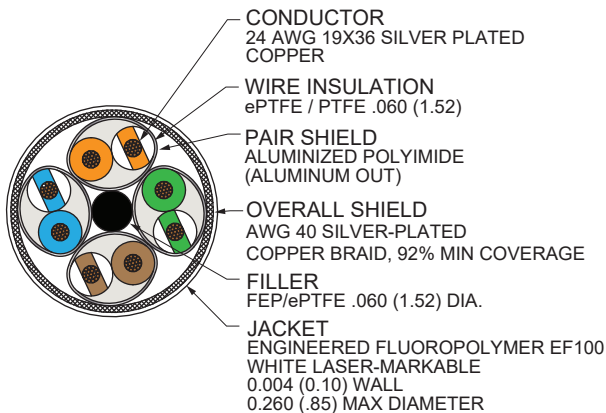
## 24 AWG Category 6A Ethernet Cables for El Ochito® White

### 24 AWG S/FTP Cat 6A Cable

Glenair Part Number	963-033-24
Manufacturer Part Number	RCN9034-24
Manufacturer	Gore

S/FTP 24 AWG cable has an individual foil shield around each data pair for reduced crosstalk and attenuation. This high data rate Ethernet cable features a unique cable jacket material and high-density construction that significantly reduces weight and diameter. Meets ANSI/TIA 568-C.2 Category 6A requirement up to 262 feet/80 meters. **Qualified to SAE AS6070/5 and /6.**

#### Construction Details



#### Color Code

Pair #1 Blue, White/Blue · Pair #2 Orange, White/Orange · Pair #3 Green, White/Green · Pair #4 Brown, White/Brown

#### Specifications

Impedance (ohms)	100 (+10 -5)
Temperature Rating	-65° to +200°C
Weight (lbs/1000 ft.)	42.0 nom /45.0 max
Capacitance (pF/ft)	12.5
Time Delay	1.24 ns/ft

Maximum Attenuation at 80m Length	Frequency	dB
	10 MHz	5.9
	100 MHz	19.1
	250 MHz	31.1
	500 MHz	45.3

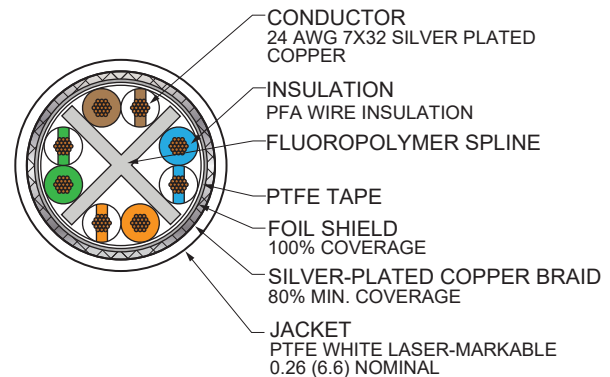
NEXT (minimum)	Frequency	dB
	1 MHz	74.3
	10 MHz	59.2
	100 MHz	52.3
	250 MHz	47.9
	500 MHz	42.2

### 24 AWG S/UTP Cat 6A Cable

Glenair Part Number	963-037-24
Manufacturer Part Number	E6A3824
Manufacturer	PIC

S/UTP 24 AWG cable is specially designed for airborne 10 Gigabit Ethernet applications. Twisted pairs are separated by a fluoropolymer spline for reduced crosstalk and attenuation. This 200°C rated cable is Skydrol resistant, RoHS compliant and meets FAA FAR Parts 23 and 25 Appendix F flammability requirements. Laser-markable white PTFE jacket withstands abrasion and chemicals. Meets ANSI/TIA-568-C.2 Category 6A performance up to 246 feet/75 meters.

#### Construction Details



#### Color Code

Pair #1 Blue, White/Blue · Pair #2 Orange, White/Orange · Pair #3 Green, White/Green · Pair #4 Brown, White/Brown

#### Specifications

Impedance (ohms)	100
Temperature Rating	-55° to +200°C
Weight (lbs/100 ft.)	4.6
Capacitance (pF/ft)	14.5
Minimum Bend Radius (inches)	.78
Velocity of Propagation %	70
Dielectric Voltage Rating (kV rms)	1.5
DC Resistance, Max (ohms/1000 ft.)	28.5
Max Distance in Feet (m)	246 (75)

Attenuation Nom / Max	Frequency	dB/100 ft.
	10 MHz	2.3 / 2.6
	100 MHz	7.0 / 8.4
	250 MHz	11.4 / 13.7
	500 MHz	16.5 / 20.0

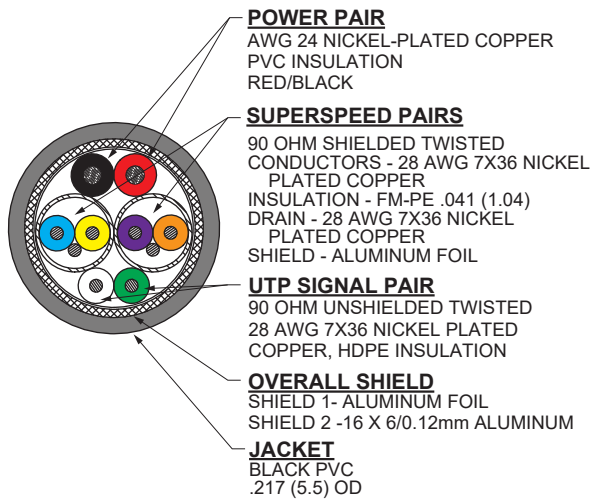
## SuperSpeed USB 3.0 Cables for El Ochito<sup>®</sup> Blue

### SuperSpeed USB Cable

Glenair Part Number **963-118**

90 ohm commercial-grade cable features PVC jacket. SuperSpeed data pairs feature low dielectric constant foamed PE insulation. Each SuperSpeed pair has an aluminized polyester shield. Overall shield is aluminum foil and aluminum wire braid.

#### Construction Details



#### Color Code

SuperSpeed pairs VIO/ORN and BLU/YEL · Power wires RED, BLK · Low speed pair WHT/GRN.

#### Specifications

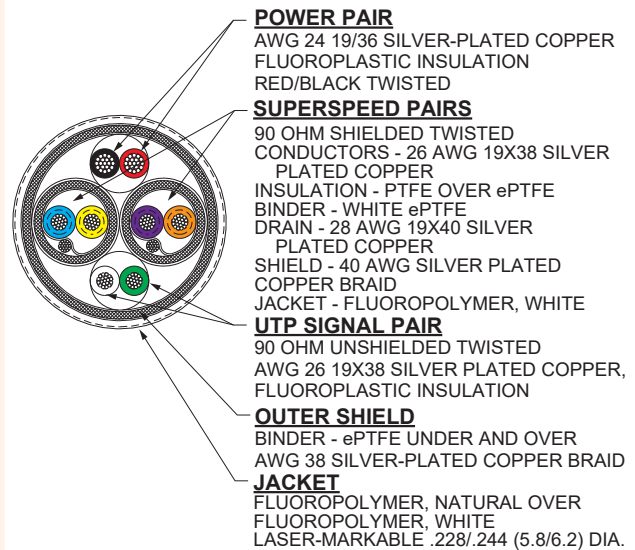
<b>Impedance (ohms)</b>		
High speed pairs	90 ± 7 (USB 3.0 pairs)	
Low-speed pair	90 ±15% (USB 2.0 pairs)	
<b>Temperature Rating</b>	0° to +80°C	
<b>Voltage Rating</b>	30V	
<b>Intra-pair skew</b>	15 ps/1.5m	
<b>Differential to common mode</b>	20 dB/cable @ 0.1 - 7.5 GHz	
<b>Frequency (GHz)</b>	<b>IL (dB@1.5m)</b>	<b>NEXT (dB)</b>
0.1	1.5	32
1.25	5.0	
2.5	7.5	32
3.0		23
7.5	25.0	23

### SuperSpeed USB Cable

Glenair Part Number **963-110**

High performance, high temperature cable delivers dependable signal integrity over longer cable lengths. Fluoropolymer jacket can be laser-marked. Low-skew SuperSpeed data pairs have individual braid shields.

#### Construction Details



#### Color Code

SuperSpeed pairs VIO/ORN and BLU/YEL · Power wires RED, BLK · Low speed pair WHT/GRN.

#### Specifications

<b>Impedance (ohms)</b>	90 ± 5	
<b>Temperature Rating</b>	-65° to +200°C	
<b>Voltage Rating</b>	< 50 Vac	
<b>Dielectric Withstanding Voltage</b>	100 Vac rms	
<b>Weight</b>	57 g/m nominal	
<b>Attenuation (SDD21)</b>	<b>Freq. (GHz)</b>	<b>dB/m max.</b>
	.625	1.2
	1.25	1.7
	2.5	2.5
	5.0	3.9
	7.5	5.0

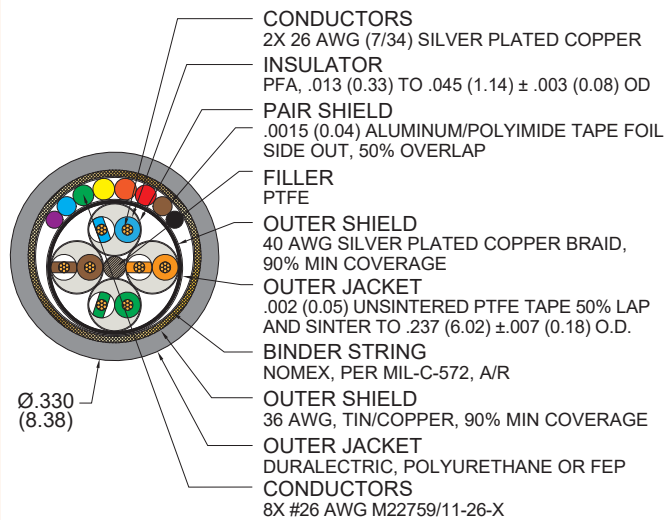
## HDMI and DisplayPort Cables for El Ochito<sup>®</sup> Red

### HDMI and DisplayPort Grade

Glenair Part Number	<a href="#">963-127-1 Duraelectric Lite Jacket</a>
	<a href="#">963-127-2 Polyurethane Jacket</a>
	<a href="#">963-127-3 FEP Jacket</a>

HDMI cable jacket is available in 3 material types including Duraelectric Lite, polyurethane and FEP. Meets electrical performance requirements for HDMI 2.0 and DisplayPort 1.2.

#### Construction Details



#### Color Code

Pair #1 Blue, White/Blue · Pair #2 Orange, White/Orange · Pair #3 Green, White/Green · Pair #4 Brown, White/Brown

#### Specifications

Impedance (ohms)	100 ± 10
Temperature Rating	-65° to +200° C

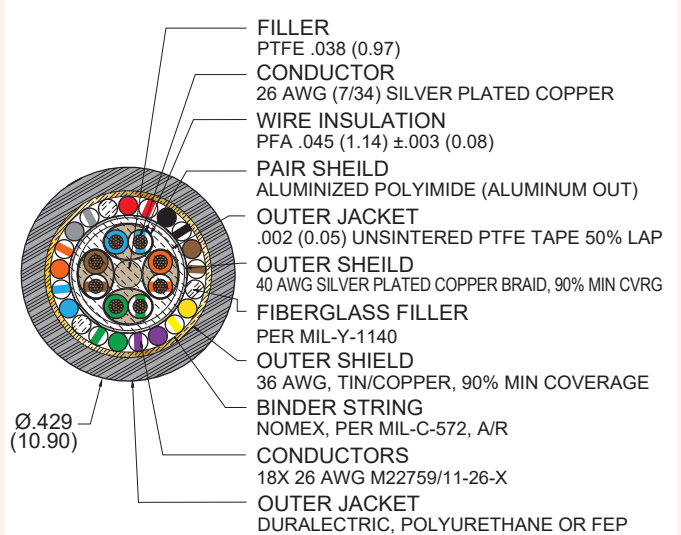
**Meets electrical performance requirements for HDMI 2.0 and DisplayPort 1.2.**

### HDMI and Display Port Grade

Glenair Part Number	<a href="#">963-120-1 Duraelectric Lite Jacket</a>
	<a href="#">963-120-2 Polyurethane Jacket</a>
	<a href="#">963-120-3 FEP Jacket</a>

HDMI cable jacket is available in 3 material types including Duraelectric Lite, polyurethane and FEP. Meets electrical performance requirements for HDMI 2.0 and DisplayPort 1.2.

#### Construction Details



#### Color Code

Pair #1 Blue, White/Blue · Pair #2 Orange, White/Orange · Pair #3 Green, White/Green · Pair #4 Brown, White/Brown

#### Specifications

Impedance (ohms)	100 ± 10 Ohms
Temperature Rating	-65° to +200° C

**Meets electrical performance requirements for HDMI 2.0 and DisplayPort 1.2.**

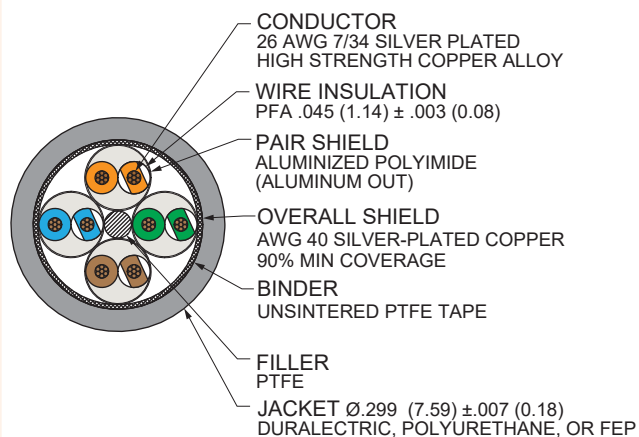
## 26 AWG High-Speed 4 Pair Cable for El Ochito<sup>®</sup> Red

### Aerospace Grade 26 AWG S/FTP 4 Pair Cable

Glenair Part Number	<a href="#">963-122-1 Duraelectric Lite Jacket</a>
	<a href="#">963-122-2 Polyurethane Jacket</a>
	<a href="#">963-122-3 FEP Jacket</a>

For use with El Ochito Red contacts. S/FTP 26 AWG cable has a foil shield around each data pair for reduced crosstalk and attenuation. High data rate cable jacket is available in 3 material types including Duraelectric Lite, polyurethane and FEP. The high-density construction significantly reduces weight and diameter. Meets ANSI/TIA 568-C.2 Category 6A requirements up to 213 feet / 65 meters. Meets HDMI 2.0 and DisplayPort 1.2 up to 5 meters

### Construction Details



### Color Code

Pair #1 Blue, White/Blue · Pair #2 Orange, White/Orange ·  
 Pair #3 Green, White/Green · Pair #4 Brown, White/Brown

### Specifications

Impedance (ohms)	100 ±10	
Temperature Rating	-65° To +200° C	
Maximum Attenuation at 5m Length	Frequency	dB
	.625 GHz	4.5
	.825 GHz	5.0
	1.25 GHz	6.5
	2.5 GHz	9.5
	5.0 GHz	15.5
	7.5 GHz	21.0
	8.1 GHz	22.5

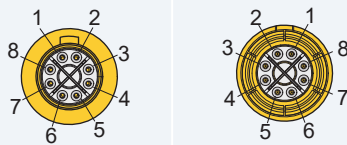


## El Ochito® White Single-Ended Cat 6A Cable Assembly 8571-0001



El Ochito® White for 10GBASE-T Ethernet, pin contact mating face

### Contact Positions



Mating face of Pin

Mating face of Socket

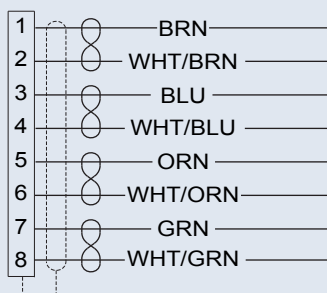
### Technical Data

- Refer to individual contact and cable data sheets for construction details
- 100% tested for shorts, continuity and IR

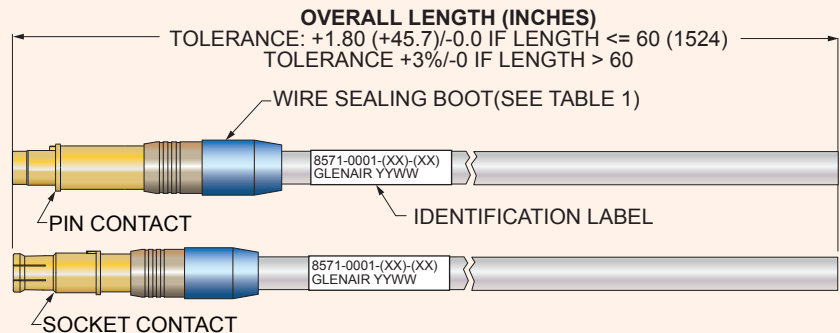
- Operating temp.:** -65° to +175°C
- Impedance:** 100 ohms
- DWV:** 500 Vrms
- Current Rating:** 1.5 A
- IR:** 200 megohms min.
- Durability:** 500 mating cycles

### Wiring Diagram

OCHITO CONTACT



Save assembly time and cost with pre-wired, 100% tested El Ochito® White assemblies. These single-ended cables have El Ochito® White contacts terminated to Category 6A aerospace-grade shielded cable. Supplied with cable sealing boot if applicable. Compatible with Glenair Series 23, Series 80, Series 28, Series 792, Series 806, ARINC 600 and EPXB connectors. Designed to meet the requirements of MIL-DTL-38999, SAE AS39029. *El Ochito® contacts must be installed in keyed connectors before mating to prevent misalignment and contact damage.*



### El Ochito® White Single-Ended Cable Assemblies

Sample Part Number	8571-0001	-10	-60
Product	8571-0001 = Pre-wired El Ochito® contact, single-ended, Cat6A		
Order Code	See Table 1		
Length	Length in Inches (12 inch minimum)		

### Table 1 Order Code

Connector Type	Order Code	Contact Part Number	Pin/Skt	Sealing Boot	Cable Type	Cable Part Number
Series 23 SuperNine, Series 801 and 805 Mighty Mouse, Series 28 Hiper-D	01	858-003-01F	Pin	Yes	S/UTP CAT6A #26 .220	963-003-26
	02	858-004-01F	Skt	Yes	S/UTP CAT6A #26 .220	963-003-26
	03	858-005-01	Pin	No	S/UTP CAT6A #26 .220	963-003-26
	04	858-005-02	Pin	No	S/FTP CAT6A #26 .220	963-033-26
	05	858-005-04	Pin	No	S/FTP CAT6A #24 .260	963-033-24
	06	858-006-01	Skt	No	S/UTP CAT6A #26 .220	963-003-26
	07	858-006-02	Skt	No	S/FTP CAT6A #26 .220	963-033-26
	08	858-006-04	Skt	No	S/FTP CAT6A #24 .260	963-033-24
	09	858-003-02F	Pin	Yes	S/FTP CAT6A #26 .220	963-033-26
	10	858-004-02F	Skt	Yes	S/FTP CAT6A #26 .220	963-033-26
ARINC 600	11	858-009-01	Pin	No	S/UTP CAT6A #26 .220	963-003-26
	12	858-009-02	Pin	No	S/FTP CAT6A #26 .220	963-033-26
	13	858-010-01	Skt	No	S/UTP CAT6A #26 .220	963-003-26
	14	858-010-02	Skt	No	S/FTP CAT6A #26 .220	963-033-26
EPXB	15	858-014-01F	Pin	Yes	S/UTP CAT6A #26 .220	963-033-26
	16	858-015-01F	Skt	Yes	S/UTP CAT6A #26 .220	963-033-26
Series 792 and 806	17	858-046-01F	Skt	Yes	S/UTP CAT6A #26 .220	963-003-26
	18	858-046-02F	Skt	Yes	S/FTP CAT6A #26 .220	963-033-26
	19	858-045-01F	Pin	Yes	S/UTP CAT6A #26 .220	963-003-26
	20	858-045-02F	Pin	Yes	S/FTP CAT6A #26 .220	963-033-26

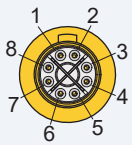
## El Ochito® White Pin-to-Socket Cat 6A Cable Assembly 8571-0002



El Ochito® White for 10GBASE-T Ethernet, pin contact mating face

**Lower installed cost. 100% tested.** Save assembly time and cost with pre-wired El Ochito® White assemblies. These pin-to-socket cables have El Ochito® White contacts terminated to Category 6A aerospace-grade shielded cable. Supplied with cable sealing boot if applicable. These pre-wired El Ochito® contacts snap into connector body without requiring an insertion tool. Remove contacts with plastic tool 859-049. Compatible with Glenair Series 23, Series 80, Series 28, Series 792, Series 806, ARINC 600 and EPXB connectors. Designed to meet the requirements of MIL-DTL-38999, SAE AS39029. *El Ochito® contacts must be installed in keyed connectors before mating to prevent misalignment and contact damage.*

### Contact Positions



Mating face of Pin

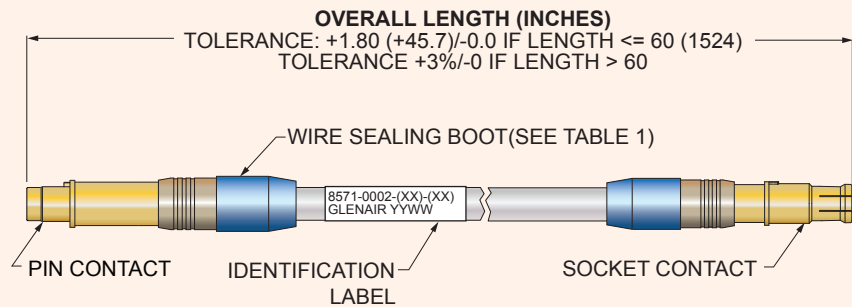
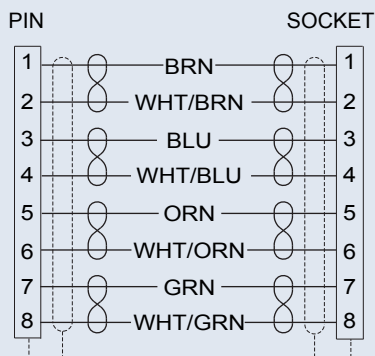


Mating face of Socket

### Technical Data

- Refer to individual contact and cable data sheets for construction details
- 100% tested for shorts, continuity and IR
- Operating temp.:** -65° to +175°C
- Impedance:** 100 ohms
- DWV:** 500 Vrms
- Current Rating:** 1.5 A
- IR:** 200 megohms min.
- Durability:** 500 mating cycles

### Wiring Diagram



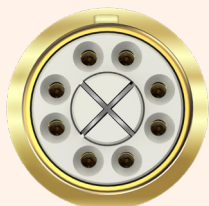
### Category 6A Pre-Wired El Ochito® Pin-Socket Assemblies

Sample Part Number	8571-0002	-01	-36
Product	8571-0002 = Pre-wired El Ochito® contacts, Pin-to-Socket		
Order Code	See Table 1		
Length	Length in Inches (12 inch minimum)		

### Table 1 Order Code

Connector Type	Order Code	Pin Contact Part No.	Skt Contact Part No.	Sealing Boot	Cable Type	Cable Part Number
Series 23 Series 801 and 805 Series 28	01	858-003-01F	858-004-01F	Yes	S/UTP CAT6A #26 .220	963-003-26
	02	858-005-01	858-006-01	No	S/UTP CAT6A #26 .220	963-003-26
	03	858-005-02	858-006-02	No	S/FTP CAT6A #26 .220	963-033-26
	04	858-005-04	858-006-04	No	S/FTP CAT6A #24 .260	963-033-24
	05	858-003-02F	858-004-02F	Yes	S/FTP CAT6A #26 .220	963-033-26
Series 792 and 806	06	858-045-01F	858-046-01F	Yes	S/UTP CAT6A #26 .220	963-003-26
	07	858-045-02F	858-046-02F	Yes	S/FTP CAT6A #26 .220	963-033-26
ARINC 600	08	858-009-01	858-010-01	No	S/UTP CAT6A #26 .220	963-003-26
	09	858-009-02	858-010-02	No	S/FTP CAT6A #26 .220	963-033-26
EPXB	10	858-014-01F	858-015-01F	Yes	S/UTP CAT6A #26 .220	963-033-26

## El Ochito® White-to-RJ45 Cable Assemblies 8571-0003 and -0004

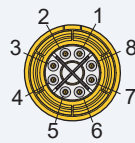


El Ochito® White for 10GBASE-T Ethernet, pin contact mating face

### Contact Positions



Mating face of Pin



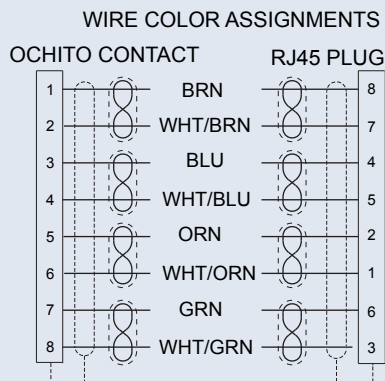
Mating face of Socket

### Technical Data

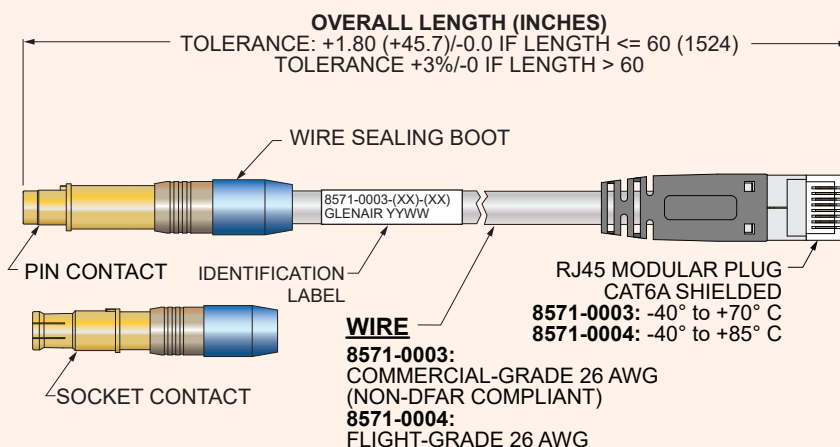
- Refer to individual contact data sheets for construction details
- 100% tested for shorts, continuity and IR

- Wire Size:** 26 AWG
- Impedance:** 100 ohms
- DWV:** 500 Vrms
- Current Rating:** 1.5 A
- IR:** 200 megohms min.
- Durability:** 500 mating cycles

### Wiring Diagram



**El Ochito® White-to-RJ45. Two cable options: commercial grade (8571-0003) or flight-grade (8571-0004) Cat6A.** Save assembly time and cost with pre-wired El Ochito® White assemblies. Cost-effective commercial grade assemblies are perfect for LAN testers and de-bugging. High performance engineered fluoropolymer aerospace grade assemblies have foil shields on each wire pair. Compatible with Glenair Series 23 SuperNine, Series 80 Mighty Mouse, Series 28 HiPer-D, Series 792, Series 806, and ARINC 600. -40 to +70°C. **El Ochito® contacts must be installed in keyed connectors before mating to prevent misalignment and contact damage.**



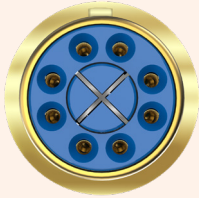
### El Ochito®-to-RJ45 Cable Assemblies, Commercial-grade Wire

Sample Part Number→	8571-0003	-01	-24
Product	8571-0003 = Cable Assy, El Ochito® to RJ45 Plug, Commercial Grade		
El Ochito® Contact Part Number	01 = 858-003-01F (Pin, for Series 23, 28, 801 & 805) 02 = 858-004-01F (Socket, for Series 23, 28, 801 & 805) 03 = 858-045-01F (Pin, for Series 792 and 806) 04 = 858-046-01F (Socket, for Series 792 and 806) 05 = 858-009-01 (Pin, for ARINC 600) 06 = 858-010-01 (Socket, for ARINC 600)		
Length	Length in Inches (12 inch minimum)		

### El Ochito®-to-RJ45 Cable Assemblies, Flight-grade Wire

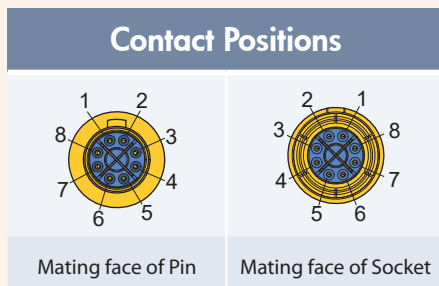
Sample Part Number→	8571-0004	-01	-24
Product	8571-0004 = Cable Assy, El Ochito® to RJ45 Plug, Aerospace Grade		
El Ochito® Contact Part Number	01 = 858-003-02F (Pin, for Series 23, 28, 801 & 805) 02 = 858-004-02F (Socket, for Series 23, 28, 801 & 805) 03 = 858-045-02F (Pin, for Series 792 and 806) 04 = 858-046-02F (Socket, for Series 792 and 806) 05 = 858-009-02 (Pin, for ARINC 600) 06 = 858-010-02 (Socket, for ARINC 600)		
Length	Length in Inches (12 inch minimum)		

## El Ochito<sup>®</sup> Blue Single-Ended SuperSpeed USB Cable Assembly 8572-0001

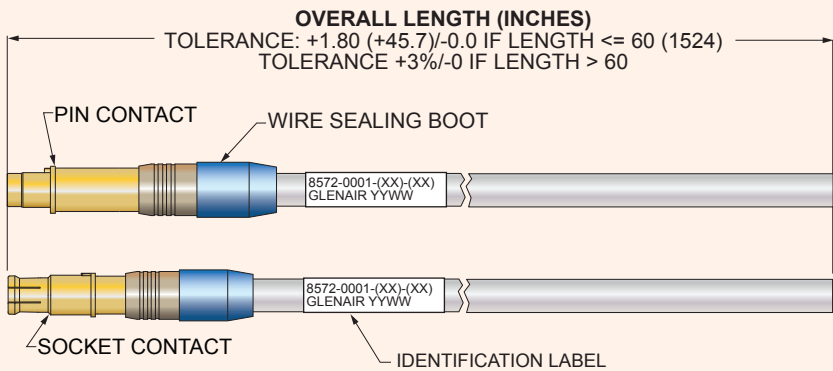
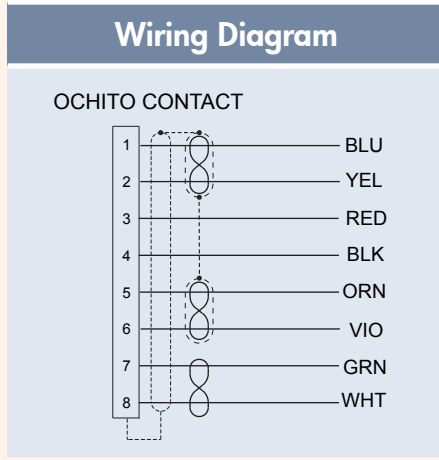


El Ochito<sup>®</sup> Blue for SuperSpeed USB, pin contact mating face

**Two cable options: commercial grade or flight-grade. 100% tested.** Save assembly time and cost with pre-wired El Ochito<sup>®</sup> Blue SuperSpeed USB assemblies. These single-ended assemblies have El Ochito<sup>®</sup> Blue contacts terminated to USB 3.0 shielded cables. Supplied with cable sealing boot. Commercial-grade version has PVC jacket. Aerospace-grade version has high temperature fluoropolymer construction and braided shields on SuperSpeed pairs. Compatible with Glenair Series 23, Series 80, Series 28, Series 792, Series 806, and ARINC 600 connectors. **El Ochito<sup>®</sup> contacts must be installed in keyed connectors before mating to prevent misalignment and contact damage.**



- ### Technical Data
- Refer to individual contact and cable data sheets for construction details
  - 100% tested for shorts, continuity and IR
  - Operating temp.:** -65° to +125°C, aerospace-grade  
0° to +80°C, commercial-grade
  - Impedance:** 90 ohms
  - DWV:** 100 Vrms
  - Current Rating:** 1.5 A
  - IR:** 100 megohms min.
  - Durability :** 500 mating cycles



### El Ochito<sup>®</sup> Blue USB Single-Ended Cable Assemblies

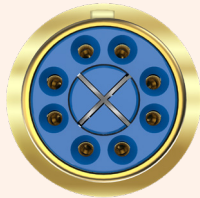
Sample Part Number →	8572-0001	-01	-36
Product	8572-0001 = Pre-wired El Ochito <sup>®</sup> contact with USB 3.0 cable		
Order Code	See Table 1		
Length	Length in Inches (12 inch minimum)		

### Table 1 Order Code

Connector Type	Order Code	Contact Part No.	Pin/Skt	Cable Type	Cable Part Number
Series 23 Series 801 and 805 Series 28	01	858-028-01F	Pin	Commercial-grade, PVC Jacket, 0° to +80°C	963-118
	02	858-028-02F	Pin		963-118
	03	858-029-01F	Socket	Aerospace-grade, Fluoropolymer Jacket, -65° to +200°C	963-110
04	858-029-02F	Socket	963-110		
ARINC 600	05	858-038-01	Pin	Commercial-grade, PVC Jacket, 0° to +80°C	963-118
	07	858-035-01	Socket		963-118
	06	858-038-02	Pin	Aerospace-grade, Fluoropolymer Jacket, -65° to +200°C	963-110
08	858-035-02	Socket	963-110		
Series 792 and 806	09	858-047-01F	Pin	Commercial-grade, PVC Jacket, 0° to +80°C	963-118
	11	858-048-01F	Socket		963-118
	10	858-047-02F	Pin	Aerospace-grade, Fluoropolymer Jacket, -65° to +200°C	963-110
	12	858-048-02F	Socket		963-110

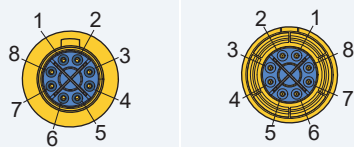


## El Ochito® Blue Pin-Socket SuperSpeed USB Cable Assembly 8572-0002



El Ochito® Blue for SuperSpeed USB,  
pin contact mating face

### Contact Positions



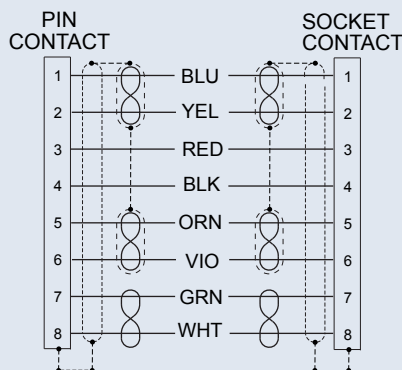
Mating face of Pin

Mating face of Socket

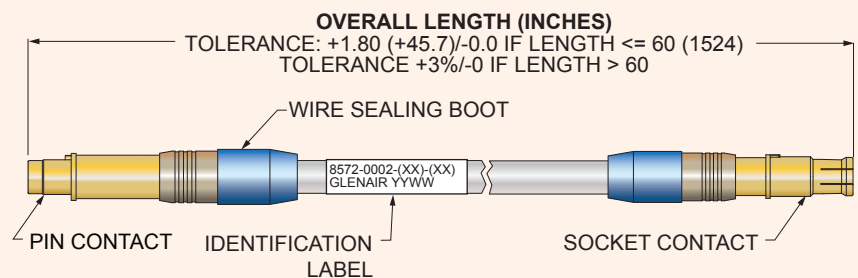
### Technical Data

- Refer to individual contact and cable data sheets for construction details
- 100% tested for shorts, continuity and IR
- Operating temp.:** -65° to +125°C, aerospace-grade  
0° to +80°C, commercial-grade
- Impedance:** 90 ohms
- DWV:** 100 Vrms
- Current Rating:** 1.5 A
- IR:** 100 megohms min.
- Durability:** 500 mating cycles

### Wiring Diagram



**Aerospace-grade or commercial-grade cable. 100% tested.** Save assembly time and cost with pre-wired El Ochito® Blue SuperSpeed USB assemblies. These assemblies have a pin contact on one end and a socket contact on the other end. Aerospace-grade high temperature cable (963-110) has fluoropolymer construction. Commercial-grade version (963-118) has PVC jacket. Compatible with Glenair Series 23, Series 80, Series 28, Series 792, Series 806 and ARINC 600 connectors. Supplied with cable sealing boot. *El Ochito® contacts must be installed in keyed connectors before mating to prevent misalignment and contact damage.*



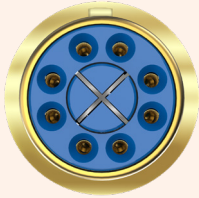
### Pre-Wired El Ochito® Blue Pin-Socket Cable Assemblies

Sample Part Number	8572-0002	-01	-36
Product	8572-0002 = Pre-wired El Ochito® contact with USB 3.0 cable		
Order Code	See Table 1		
Length	Length in Inches (12 inch minimum)		

### Table 1 Order Code

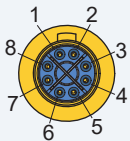
Connector Type	Order Code	Pin Contact Part No.	Socket Contact Part No.	Cable Type	Cable Part Number
Series 23 Series 801 and 805 Series 28	01	858-028-01F	858-029-01F	Commercial-grade PVC Jacket 0° to +80C	963-118
	02	858-028-02F	858-029-02F	Aerospace-grade Fluoropolymer Jacket -65° to +200C	963-110
ARINC 600	03	858-038-01	858-035-01	Commercial-grade PVC Jacket 0° to +80C	963-118
	04	858-038-02	858-035-02	Aerospace-grade Fluoropolymer Jacket -65° to +200C	963-110
Series 792 and 806	05	858-047-01F	858-048-01F	Commercial-grade PVC Jacket 0° to +80C	963-118
	06	858-047-02F	858-048-02F	Aerospace-grade Fluoropolymer Jacket -65° to +200C	963-110

## El Ochito<sup>®</sup> Blue to SuperSpeed USB Cable Assemblies 8572-0003

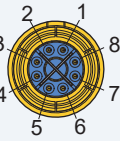


El Ochito<sup>®</sup> Blue for SuperSpeed USB, pin contact mating face

### Contact Positions



Mating face of Pin



Mating face of Socket

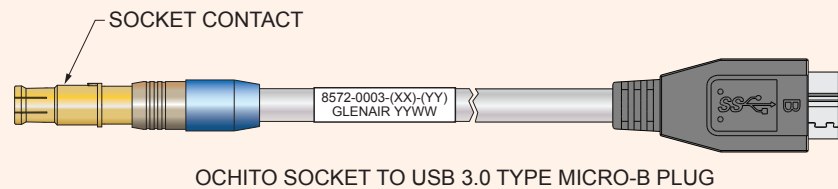
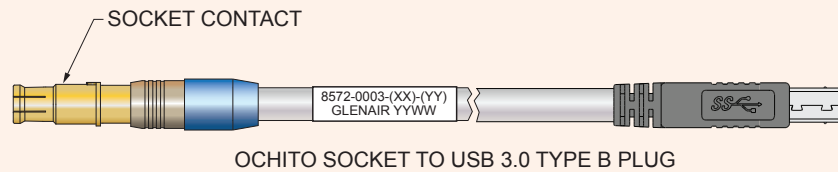
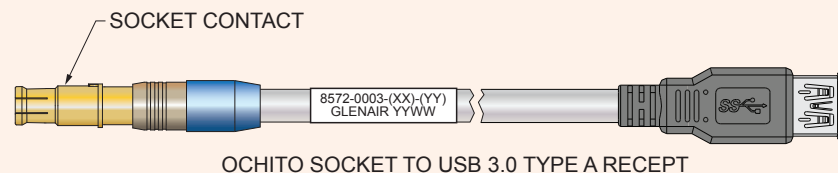
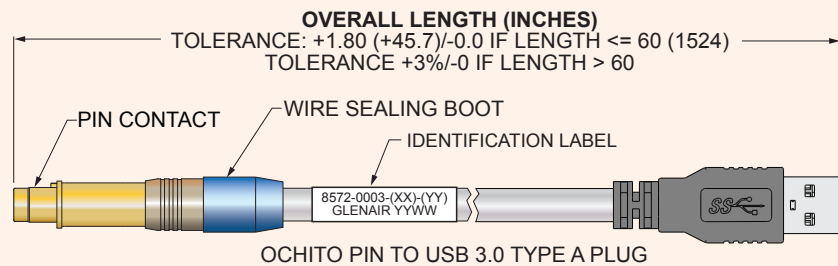
### Technical Data

- **Operating temp.:** 0° to +80°C
- **Impedance:** 90 ohms
- **DWV:** 100 Vrms
- **Current Rating:** 1.5 A
- **IR:** 100 megohms min.
- **Durability :** 500 mating cycles

### Construction

- Refer to individual contact data sheets for additional details
- 100% tested for shorts, continuity and IR
- **Cable:** commercial-grade, PVC jacket, non-DFAR compliant

**USB 3.0 Connectors. Commercial grade. 100% tested.** Save assembly time and cost with pre-wired El Ochito<sup>®</sup> Blue SuperSpeed USB assemblies. These assemblies have El Ochito<sup>®</sup> Blue contacts wired to USB 3.0 Connectors. Supplied with cable sealing boot. Compatible with Glenair Series 23, Series 80, Series 28, Series 792, Series 806, and ARINC 600 connectors. *El Ochito<sup>®</sup> contacts must be installed in keyed connectors before mating to prevent misalignment and contact damage.*



### El Ochito<sup>®</sup> Blue to USB 3.0 Cable Assemblies

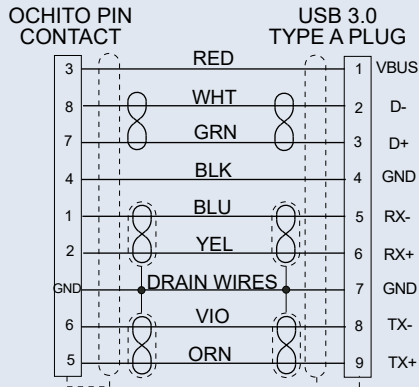
Sample Part Number→	8572-0003	-01	-36
Product	8572-0003 = Pre-wired El Ochito <sup>®</sup> contacts with USB 3.0 connectors		
Order Code	See Table 1		
Length	Length in Inches (12 inch minimum)		

Table 1 Order Code

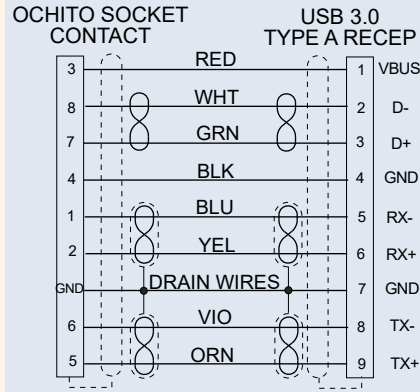
Connector Type	Order Code	Contact Part No.	Pin/Skt	USB 3.0 Connector
Series 23 Series 801 and 805 Series 28	01	858-028-01F	Pin	A Plug
	02	858-029-01F	Socket	A Recep
	03	858-029-01F	Socket	B Plug
	04	858-029-01F	Socket	Micro-B Plug
ARINC 600	05	858-038-01	Pin	A Plug
	06	858-035-01	Socket	A Recep
	07	858-035-01	Socket	B Plug
	08	858-035-01	Socket	Micro-B Plug
Series 792 and 806	09	858-047-01F	Pin	A Plug
	10	858-048-01F	Socket	A Recep
	11	858-048-01F	Socket	B Plug
	12	858-048-01F	Socket	Micro-B Plug

## El Ochito<sup>®</sup> Blue to SuperSpeed USB Cable Assemblies 8572-0003

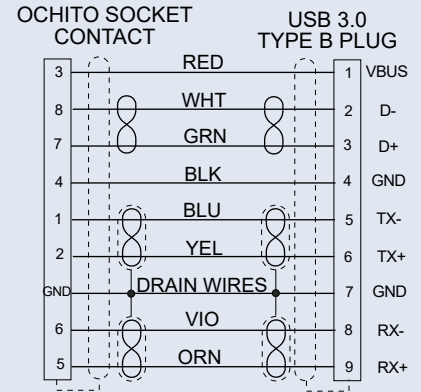
**Wiring Diagram**  
**8572-0003-01/05/09**  
 El Ochito<sup>®</sup> Pin to USB 3.0 A Plug



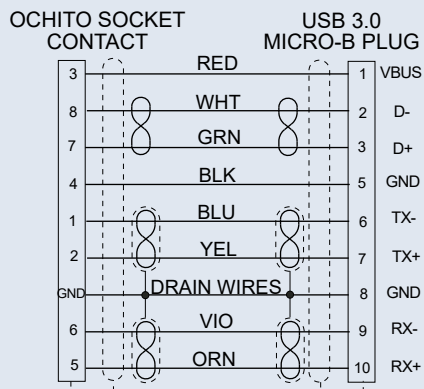
**Wiring Diagram**  
**8572-0003-02/06/10**  
 El Ochito<sup>®</sup> Socket to USB 3.0 A Recep



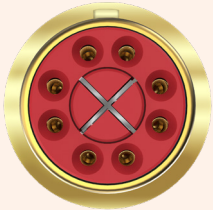
**Wiring Diagram**  
**8572-0003-03/07/11**  
 El Ochito<sup>®</sup> Socket to USB 3.0 B Plug



**Wiring Diagram**  
**8572-0003-04/08/12**  
 El Ochito<sup>®</sup> Socket to  
 USB 3.0 Micro-B Plug

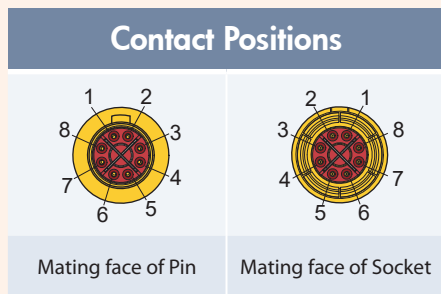


## El Ochito® Red Single-Ended Cable Assembly 8573-0001



El Ochito® Red for Multi-Gigabit 100 Ohm Datalinks, pin contact mating face

Save assembly time and cost with pre-wired, 100% tested El Ochito® Red assemblies for datalinks up to 1Gbps. These single-ended cables have El Ochito® Red contacts terminated to high performance flight-grade 100 ohm shielded twisted pair cable. Supplied with cable sealing boot. Compatible with Glenair Series 23, Series 80, Series 28, Series 792, Series 806 and ARINC 600 connectors. Designed to meet the requirements of MIL-DTL-38999 and SAE AS39029. *El Ochito® contacts must be installed in keyed connectors before mating to prevent misalignment and contact damage.*

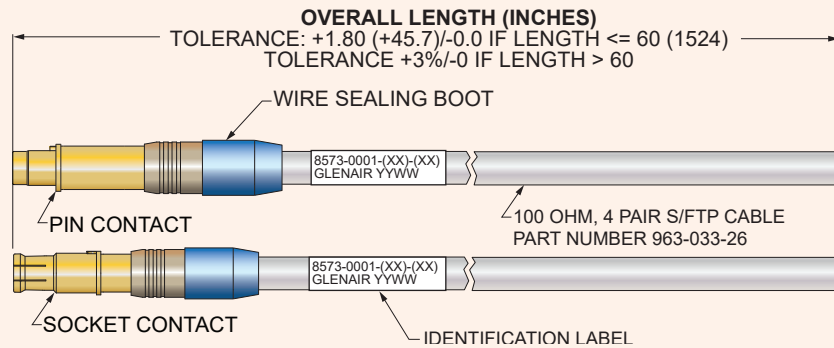
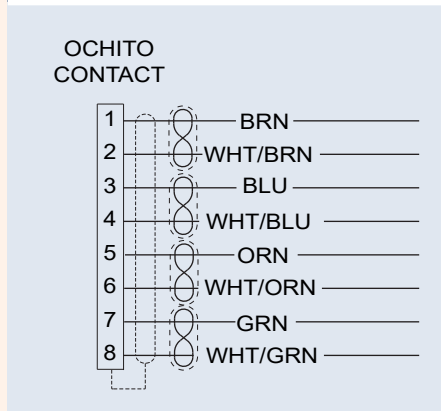


### Technical Data

- Refer to individual contact data sheets for construction details
- 100% tested for shorts, continuity and IR

- Operating temp.:** -65° to +125°C
- Impedance:** 100 ohms
- DWV:** 300 Vrms
- Current Rating:** 1.5 A
- IR:** 10 megohms min.
- Durability:** 500 mating cycles

### Wiring Diagram



### El Ochito® Red Single-Ended Cable Assemblies

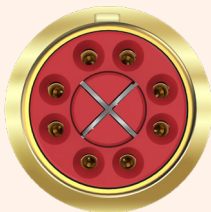
Sample Part Number	8573-0001	-01	-36
Product	8573-0001 = Pre-wired El Ochito® contact, single-ended		
El Ochito® Contact P/N	See Table I		
Length	Length in Inches (12 inch minimum)		

### Table 1 Order Code

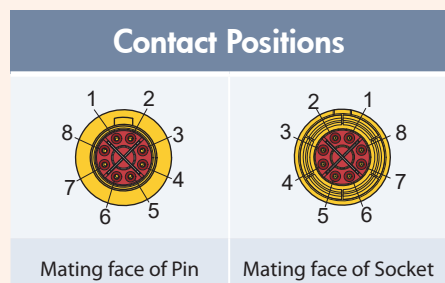
Connector Type	Order Code	Contact Part No.	Pin/Skt	Data Protocol	Cable
Series 23 Series 801 and 805 Series 28	01	858-030-02F	Pin	High Speed, up to 1 Gbps	963-033-26 26 AWG
	02	858-031-02F	Socket	High Speed, up to 1 Gbps	963-033-26 26 AWG
ARINC 600	03	858-039-01	Pin	High Speed, up to 1 Gbps	963-033-26 26 AWG
	04	858-037-01	Socket	High Speed, up to 1 Gbps	963-033-26 26 AWG
Series 792 and 806	05	858-049-01F	Pin	High Speed, up to 1 Gbps	963-033-26 26 AWG
	06	858-050-01F	Socket	High Speed, up to 1 Gbps	963-033-26 26 AWG



## El Ochito® Red Pin-Socket Cable Assembly 8573-0002



El Ochito® Red for Multi-Gigabit 100 Ohm Datalinks, pin contact mating face

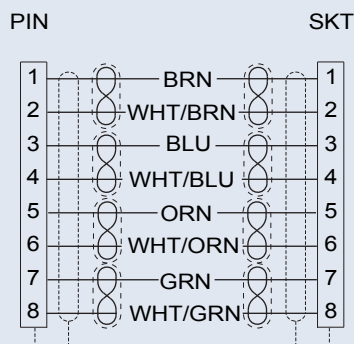


### Technical Data

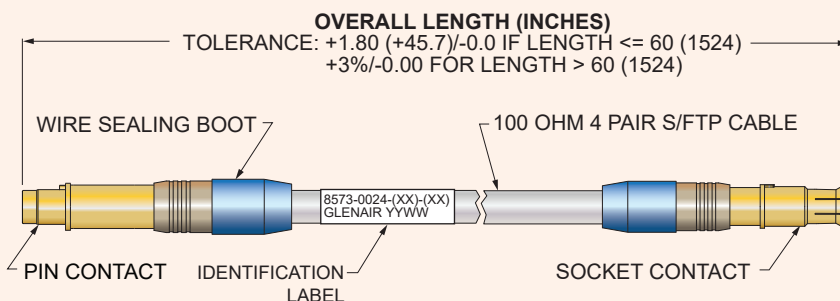
- Refer to individual contact data sheets for construction details
- 100% tested for shorts, continuity and IR

- **Operating temp.:** -65° to +125°C
- **Impedance:** 100 ohms
- **DWV:** 300 Vrms
- **Current Rating:** 1.5 A
- **IR:** 10 megohms min.
- **Durability:** 500 mating cycles

### Wiring Diagram



Save assembly time and cost with pre-wired, 100% tested El Ochito® Red assemblies for datalinks up to 1Gbps. These pin-to-socket cables have El Ochito® Red contacts terminated to high performance flight-grade 100 ohm shielded twisted pair cable. Supplied with cable sealing boots. Compatible with Glenair Series 23, Series 80, Series 28, Series 792, Series 806 and ARINC 600 connectors. Designed to meet the requirements of MIL-DTL-38999 and SAE AS39029. *El Ochito® contacts must be installed in keyed connectors before mating to prevent misalignment and contact damage.*



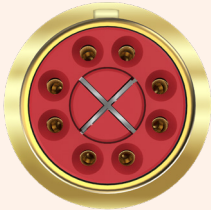
### Pre-Wired El Ochito® Red Pin-Socket Cable Assemblies

Sample Part Number	8573-0002	-01	-48
Product	8573-0002 = Pre-wired El Ochito® Red Pin-to-Socket Assemblies.		
El Ochito® Contact P/N	See Table 1		
Length	Length in Inches (12 inch minimum)		

### Table 1 Order Code

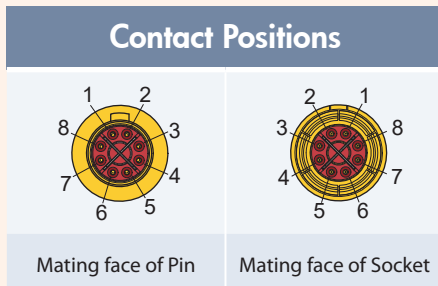
Connector Type	Order Code	Pin Contact Part No.	Skt Contact Part No.	Data Protocol	Cable
Series 23 Series 801 and 805 Series 28	01	858-030-02F	858-031-02F	High Speed, up to 1 Gbps	963-033-26 26 AWG
ARINC 600	02	858-039-01	858-037-01	High Speed, up to 1 Gbps	963-033-26 26 AWG
Series 792 and 806	03	858-049-01F	858-050-01F	High Speed, up to 1 Gbps	963-033-26 26 AWG

## El Ochito® Red Single-Ended Cable Assembly 8573-0023

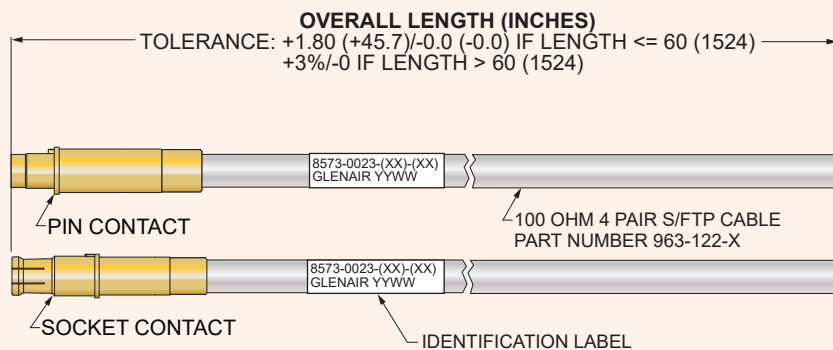
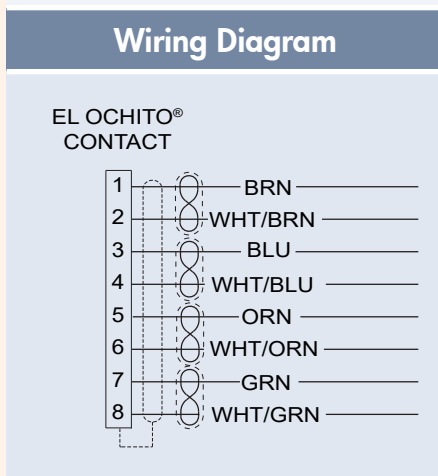


El Ochito® Red for Multi-Gigabit 100 Ohm Datalinks, pin contact mating face

Save assembly time and cost with pre-wired, 100% tested El Ochito® Red assemblies for multi-gigabit datalinks. These single-ended cables have El Ochito® Red contacts terminated to Glenair general purpose, aerospace-grade 100 ohm shielded twisted pair cable. Suitable for Cat 6a, HDMI and DisplayPort protocol applications. Supplied with cable sealing boot. Compatible with Glenair Series 23, Series 801 & 805, Series 28, Series 792, Series 806 and ARINC 600 connectors. Designed to meet the requirements of MIL-DTL-38999 and SAE AS39029. *El Ochito® contacts must be installed in keyed connectors before mating to prevent misalignment and contact damage.*



- ### Technical Data
- Refer to individual contact and wire data sheets for construction details
  - 100% tested for shorts, continuity and IR
  - Operating temp.:** -65° to +125°C
  - Impedance:** 100 ohms
  - DWV:** 300 Vrms
  - Current Rating:** 1.5 A
  - IR:** 10 megohms min.
  - Durability:** 500 mating cycles



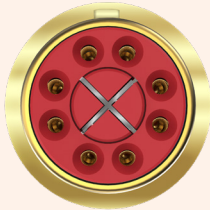
### El Ochito® Red Single-Ended Cable Assemblies

Sample Part Number→	8573-0023	-01	-1	-36
Product	8573-0023 = Pre-wired El Ochito® contact, single-ended, Multi-Gigabit			
El Ochito® Contact P/N	See Table I			
Cable Jacket	1 = Duraelectric Jacket    2 = Polyurethane LSZH    3 = FEP			
Length	Length in Inches (12 inch minimum)			

### Table 1 Order Code

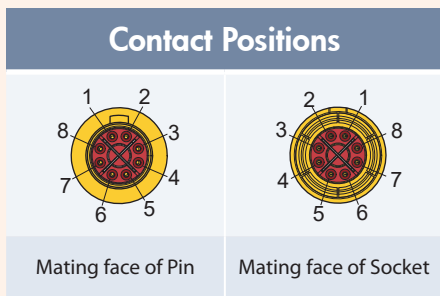
Connector Type	Order Code	Contact Part No.	Pin/Skt	Data Protocol	Cable
Series 23 Series 801 and 805 Series 28	01	858-030-02	Pin	High Speed, > 1 Gbps	963-122-X 26 AWG
	02	858-031-02	Socket	High Speed, > 1 Gbps	963-122-X 26 AWG
ARINC 600	03	858-039-01	Pin	High Speed, > 1 Gbps	963-122-X 26 AWG
	04	858-037-01	Socket	High Speed, > 1 Gbps	963-122-X 26 AWG
Series 792 and 806	05	858-049-01	Pin	High Speed, > 1 Gbps	963-122-X 26 AWG
	06	858-050-01	Socket	High Speed, > 1 Gbps	963-122-X 26 AWG

## El Ochito® Red Pin-Socket Cable Assembly 8573-0024



El Ochito® Red for Multi-Gigabit 100 Ohm Datalinks, pin contact mating face

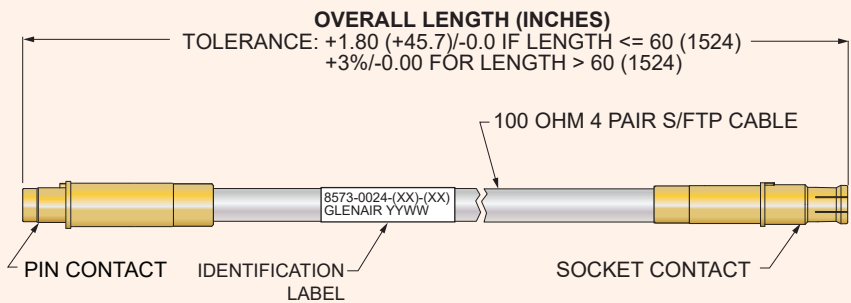
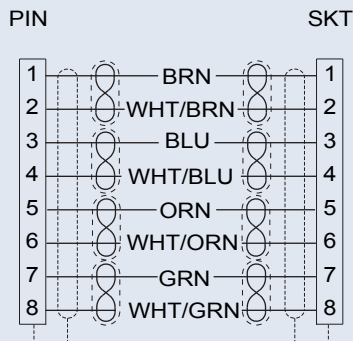
Save assembly time and cost with pre-wired, 100% tested El Ochito® Red assemblies for multi-gigabit datalinks. These single-ended cables have El Ochito® Red contacts terminated to Glenair general purpose, aerospace-grade 100 ohm shielded twisted pair cable. Suitable for Cat 6a, HDMI and DisplayPort protocol applications. Supplied with cable sealing boot. Compatible with Glenair Series 23, Series 801 & 805, Series 28, Series 792, Series 806 and ARINC 600 connectors. Designed to meet the requirements of MIL-DTL-38999 and SAE AS39029. **El Ochito® contacts must be installed in keyed connectors before mating to prevent misalignment and contact damage.**



### Technical Data

- Refer to individual contact data sheets for construction details
- 100% tested for shorts, continuity and IR
- Operating temp.:** -65° to +125°C
- Impedance:** 100 ohms
- DWV:** 300 Vrms
- Current Rating:** 1.5 A
- IR:** 10 megohms min.
- Durability:** 500 mating cycles

### Wiring Diagram



### Pre-Wired El Ochito® Red Pin-Socket Cable Assemblies

Sample Part Number→	8573-0024	-01	-1	-48
Product	8573-0024 = Pre-wired El Ochito® Red Pin-to-Socket Assemblies.			
El Ochito® Contact P/N	See Table 1			
Cable Jacket	1 = Duraelectric Jacket    2 = Polyurethane LSZH    3 = FEP			
Length	Length in Inches (12 inch minimum)			

### Table 1 Order Code

Connector Type	Order Code	Pin Contact Part No.	Skt Contact Part No.	Data Protocol	Cable
Series 23 Series 801 and 805 Series 28	01	858-030-02	858-031-02	High Speed, > 1 Gbps	963-122-X 26 AWG
ARINC 600	02	858-039-01	858-037-01	High Speed, > 1 Gbps	963-122-X 26 AWG
Series 792 and 806	03	858-049-01	858-050-01	High Speed, > 1 Gbps	963-122-X 26 AWG

## El Ochito® Test Adapters and Jumpers for SuperNine® Connectors



Plug Adapter



Receptacle Adapter

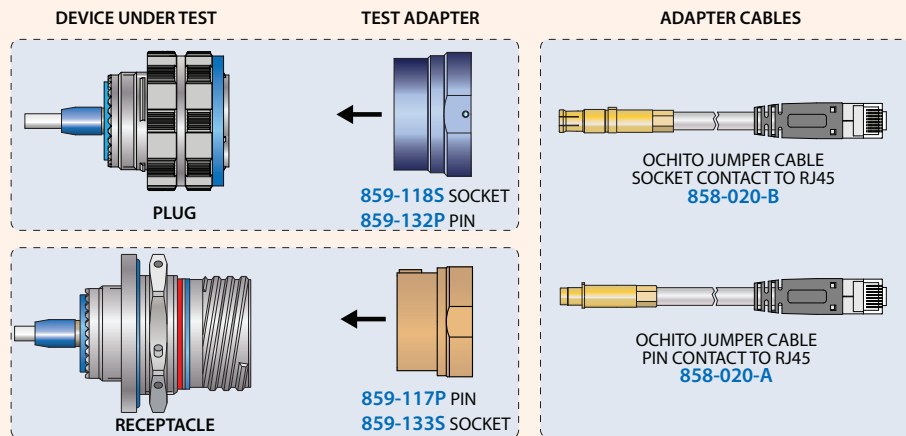
Prevent damage to expensive cables with El Ochito® test adapters and jumper cables. These test adapters properly align test contacts without the added expense and time-consuming labor of mating connectors. Jumper cables are ordered separately. Push test adapter into Device Under Test (DUT), then insert adapter cable into adapter. No tool is required to insert and remove adapter cable. Jumper cables have high performance shielded EIA/TIA 568-C.2 Cat6A RJ45 plug for interface with test instruments.

### Construction

- Receptacle adapter (859-117P and 857-133S): polyetherimide resin, natural color
- Plug adapter (859-118S and 859-132P): polyetherimide insert, blue anodized aluminum alloy housing

### Connector Compatibility

- Glenair 233-217, -218, -229, -231, -232 SuperNine® connectors with size 8 El Ochito® contacts



## Ordering Information for El Ochito® Test Adapters (Jumper Cables not Included)

### RECEPTACLE ADAPTER MATES WITH PLUG CONNECTOR



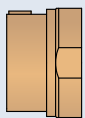
859-118S

MATES WITH PLUG WITH PIN CONTACTS

859-132P

MATES WITH PLUG WITH SOCKET CONTACTS

### PLUG ADAPTER MATES WITH RECEPTACLE CONNECTOR



859-117P

MATES WITH RECEPTACLE WITH SOCKET CONTACTS

859-133S

MATES WITH RECEPTACLE WITH PIN CONTACTS

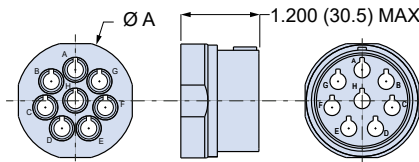
Arr.	Device Under Test			
	Plug with Pin Contacts <sup>(1)</sup>	Plug with Socket Contacts <sup>(1)</sup>	Receptacle with Pin Contacts	Receptacle with Socket Contacts
09G05	859-118S09G05N	859-132P09G05N	859-133S09G05	859-117P09G05
11-01	859-118S11-01N	859-132P11-01N	859-133S11-01	859-117P11-01
13-14	859-118S13-14N	859-132P13-14N	859-133S13-14	859-117P13-14
17-02	859-118S17-02N	859-132P17-02N	859-133S17-02	859-117P17-02
17-22	859-118S17-22N	859-132P17-22N	859-133S17-22	859-117P17-22
17-60	859-118S17-60N	859-132P17-60N	859-133S17-60	859-117P17-60
17-75	859-118S17-75N	859-132P17-75N	859-133S17-75	859-117P17-75
19-04	859-118S19-04N	859-132P19-04N	859-133S19-04	859-117P19-04
19-12	859-118S19-12N	859-132P19-12N	859-133S19-12	859-117P19-12
19-17	859-118S19-17N	859-132P19-17N	859-133S19-17	859-117P19-17
19-18	859-118S19-18N	859-132P19-18N	859-133S19-18	859-117P19-18
21-75	859-118S21-75N	859-132P21-75N	859-133S21-75	859-117P21-75
23-05	859-118S23-05N	859-132P23-05N	859-133S23-05	859-117P23-05
23-06	859-118S23-06N	859-132P23-06N	859-133S23-06	859-117P23-06
25-07	859-118S25-07N	859-132P25-07N	859-133S25-07	859-117P25-07
25-08	859-118S25-08N	859-132P25-08N	859-133S25-08	859-117P25-08
25-17	859-118S25-17N	859-132P25-17N	859-133S25-17	859-117P25-17
25-20	859-118S25-20N	859-132P25-20N	859-133S25-20	859-117P25-20
25-26	859-118S25-26N	859-132P25-26N	859-133S25-26	859-117P25-26
25-41	859-118S25-41N	859-132P25-41N	859-133S25-41	859-117P25-41
25-46	859-118S25-46N	859-132P25-46N	859-133S25-46	859-117P25-46

(1) For alternate polarizations, change suffix code from N to A, B, C, D or E.

## El Ochito® Test Adapters and Jumpers for SuperNine® Connectors

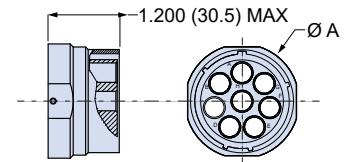
### 859-117P Pin Adapter

Shell Size	A Diameter In.	mm.
09 (A)	.650	16.5
11 (B)	.780	19.8
13 (C)	.900	22.9
17 (E)	1.203	30.6
19 (F)	1.265	32.1
21 (G)	1.390	35.3
23 (H)	1.520	38.6
25 (J)	1.635	41.5



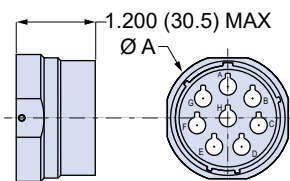
### 859-118S Socket Adapter

Shell Size	A Diameter In.	mm.
09 (A)	.710	18.0
11 (B)	.850	21.6
13 (C)	1.000	25.4
17 (E)	1.271	32.3
19 (F)	1.333	33.9
21 (G)	1.460	37.1
23 (H)	1.585	40.3
25 (J)	1.711	43.5



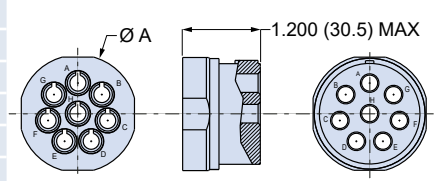
### 859-132P Pin Adapter

Shell Size	A Diameter In.	mm.
09 (A)	.710	18.0
11 (B)	.850	21.6
13 (C)	1.000	25.4
17 (E)	1.271	32.3
19 (F)	1.333	33.9
21 (G)	1.460	37.1
23 (H)	1.585	40.3
25 (J)	1.711	43.5

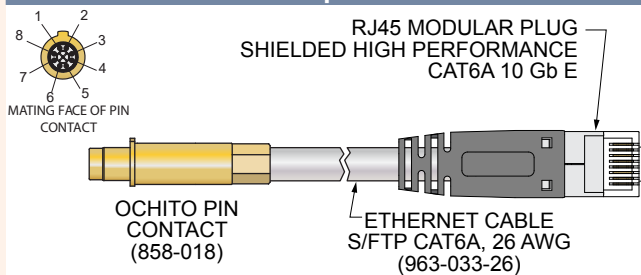


### 859-133S Socket Adapter

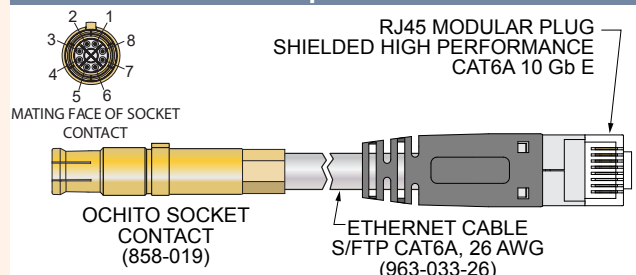
Shell Size	A Diameter In.	mm.
09 (A)	.650	16.5
11 (B)	.780	19.8
13 (C)	.900	22.9
17 (E)	1.203	30.6
19 (F)	1.265	32.1
21 (G)	1.390	35.3
23 (H)	1.520	38.6
25 (J)	1.635	41.5



### El Ochito® Test Jumpers with Pin Contacts



### El Ochito® Test Jumpers with Socket Contacts



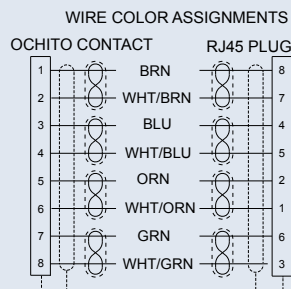
### Pin Jumper Ordering Information<sup>2</sup>

Overall Length		Part Number
Inches	meters	
18	0.45	858-020-A-02-18
36	0.91	858-020-A-02-36
72	1.82	858-020-A-02-72
120	3.05	858-020-A-02-120

### Socket Jumper Ordering Information<sup>2</sup>

Overall Length		Part Number
Inches	meters	
18	0.45	858-020-B-02-18
36	0.91	858-020-B-02-36
72	1.82	858-020-B-02-72
120	3.05	858-020-B-02-120

### El Ochito® Test Jumper Schematic

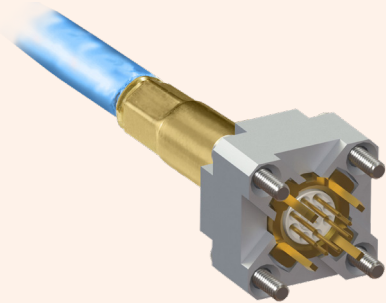


### Notes

- 858-020 jumper cables are intended only for use in Glenair El Ochito® test adapters. Do not attempt to install in MIL-DTL-38999 type connectors.
- Other cable lengths are readily available. Change the suffix number to the desired length in inches.
- 858-020 jumper cables are fully assembled and 100% electrically tested.
- Length is minimum overall length including contact and plug.
- No tool is required to install or remove contacts.



## El Ochito® PCB Transition Adapters 858-025



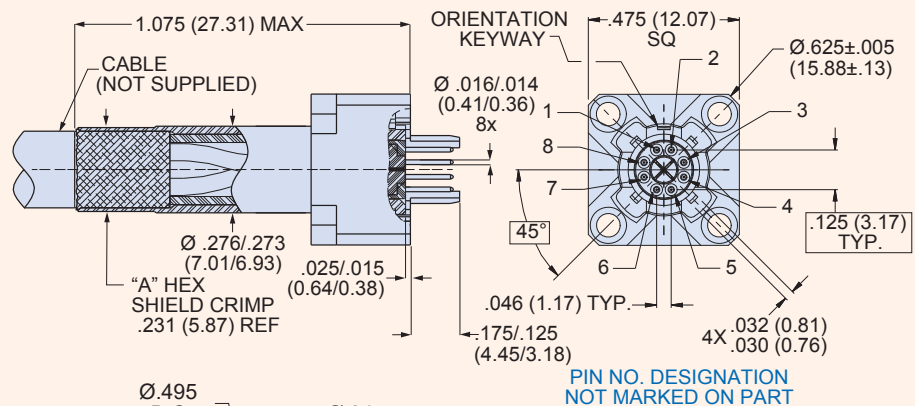
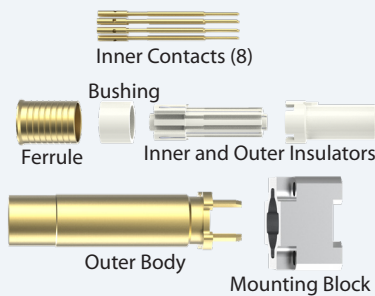
Launch controlled impedance signals with El Ochito® transition adapters. Accepts 90 ohm USB 3.0 cable or 100 ohm Category 6A Ethernet cable. Supplied as unassembled kit with (8) inner contacts, inner and outer insulators, bushing, outer body, crimp ferrule and mounting block. Terminate inner contacts and cable shield with crimp tools sold separately. Attach mounting block to circuit board with #0-80 screws and 059-0007-1 threaded inserts, sold separately.

### 858-025 El Ochito® PCB Transition Adapters

Dash No.	Color	Cables Accomodated	Protocols/Impedance	Ref Cable O.D.	"A" Hex	Assembly Instructions
-01	White	963-033-26	Ethernet (100 OHM Nominal)	.220 (5.59)	.231	AI85145
-02	Blue	963-110	USB 3.0 (90 ±15 OHM)	.237 (6.02)	.255	AI85146
-03	Red	963-122-X	High-Speed (100 ±15 OHM)	.299 (7.59)	.231	AI85147

### 858-025 Components

Supplied as Unassembled Kit



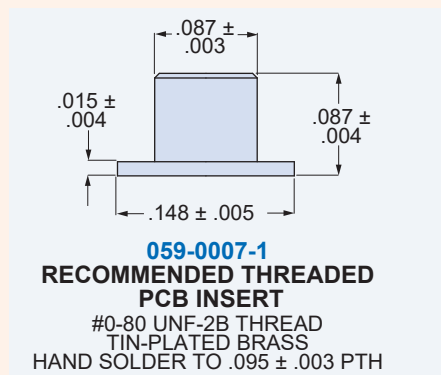
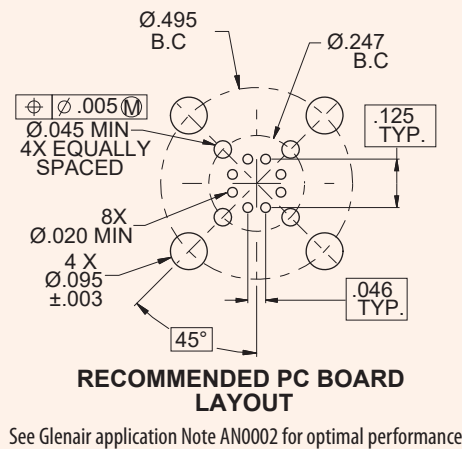
### Technical Data

#### Specifications

- Operating temperature:**  
El Ochito® White: -65 to +175°C  
El Ochito® Blue and Red: -65 to +125°C
- Impedance:**  
El Ochito® White and Red: 100 ohms  
El Ochito® Blue: 90 ohms
- Dielectric withstanding voltage:**  
500 Vrms
- Current Rating:** 1.5 A
- Insulation resistance:** 5000 megohms min. @ 200 Vdc

#### Construction

- Inner contacts, outer body, ferrule:** copper alloy, 50 microinches gold over nickel plating
- Insulators, bushing:** thermoplastic
- Mounting block:** aluminum, electroless nickel plating



### Inner Contact Crimp Tools



**809-015**  
(M22520/2-01)



**859-101**  
(K1906)



**809-129**  
(M22520/5-01)

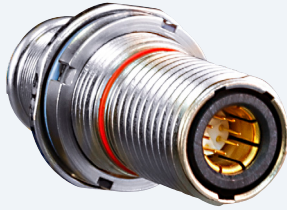


**858-186 for -02 (N/A)**  
**859-007 for -01 & -03**  
(M22520/5-45)

## El Ochito® Connector Selection Guide

### El Ochito® Connector Selection Guide

#### Series 801 Mighty Mouse



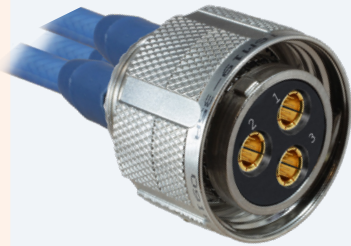
- High performance ultraminiature circular
- Double-start mating threads
- Compatible with MIL-DTL-38999 type size 8 El Ochito® contacts
- 10 arrangements, up to 5 El Ochito® contacts per connector

#### For More Information

Plugs, Band Platform..... 801-007<sup>(1)</sup>  
 Plugs, Accessory Thread..... 801-008<sup>(1)</sup>  
 Receptacles, Band Platform..... 801-009<sup>(1)</sup>  
 Receptacles, Accessory Threads..... 801-010<sup>(1)</sup>  
 Receptacles, Straight PC Tail..... 801-120<sup>(2)</sup>

(1) Series 80 Mighty Mouse Catalog  
 (2) Contact Glenair for data sheet.

#### Series 805 Mighty Mouse



- High performance ultraminiature circular
- Triple-start ACME mating threads
- Compatible with MIL-DTL-38999 type size 8 El Ochito® contacts
- 10 arrangements, up to 5 El Ochito® contacts per connector

#### For More Information

Plugs, Band Platform..... 805-001<sup>(1)</sup>  
 Plugs, Accessory Thread..... 805-002<sup>(1)</sup>  
 Receptacles, Band Platform..... 805-003<sup>(1)</sup>  
 Receptacles, Accessory Threads..... 805-004<sup>(1)</sup>  
 Receptacles, Straight PC Tail..... 805-126<sup>(2)</sup>

(1) Series 80 Mighty Mouse Catalog  
 (2) Contact Glenair for data sheet

#### Series 233 SuperNine®



- MIL-DTL-38999 Series III
- Triple-start ACME mating threads
- High vibration, high temperature
- 20 contact arrangements
- Contact alignment keyway
- Compatible with M85049 accessories

#### For More Information

Plugs, Receptacles..... 233-217 & 233-224<sup>(1)</sup>  
 Receptacles, Straight PC Tail..... 233-218<sup>(1)</sup>

(1) SuperNine Catalog

**For environmental backshell, see part number 377HS121**

#### Series 882 SuperFly®



- Ultra-small, lightweight
- Push-pull or threaded coupling
- High shock and vibration
- Robust EMI shielding
- IP67 immersion rating

#### For More Information

Push-Pull Plug..... 882-001<sup>(1)</sup>  
 Push-Pull Receptacle..... 882-002<sup>(1)</sup>  
 Push-Pull Receptacle, PC Tail..... 882-005<sup>(1)</sup>  
 Plug, Threaded Coupling..... 882-003<sup>(1)</sup>  
 Receptacle, Threaded Coupling..... 882-006<sup>(1)</sup>  
 Recep, Threaded, PC Tail..... 882-004<sup>(1)</sup>

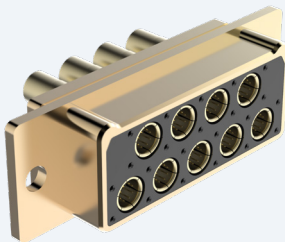
(1) Contact Glenair for data sheet

**For details see our Series 882 SuperFly catalog**

## El Ochito® Connector Selection Guide

### El Ochito® Connector Selection Guide

#### Series 792 Ultraminiature Rectangular



- Next-generation rear release rectangular
- 1 – 9 El Ochito® contacts
- Dual lobe shell polarization
- Scoop-proof interface
- Straight and right angle PC tail
- Environmentally sealed
- EMI protected
- Guide Pins for blind mate

#### For More Information

Plugs, Free-Hanging .....	792-001 <sup>(1)</sup>
Receptacles, Free-Hanging .....	792-002 <sup>(1)</sup>
Plugs, Panel Mount .....	792-003 <sup>(1)</sup>
Receptacles, Panel Mount .....	792-004 <sup>(1)</sup>
Plugs, Straight PC Tails .....	792-005 <sup>(1)</sup>
Receptacles, Straight PC Tails .....	792-006 <sup>(1)</sup>
Plug, Straight PC Tails, Panel Mt. ....	792-007 <sup>(1)</sup>
Recep, Straight PC Tails, Panel Mt. .	792-008 <sup>(1)</sup>
Plugs, 90° PC Tails .....	792-009 <sup>(1)</sup>
Receptacles, 90° PC Tails .....	792-010 <sup>(1)</sup>
Plugs, 90° PC Tails, Panel Mt. ....	792-011 <sup>(1)</sup>
Recep, 90° PC Tails, Panel Mt .....	792-012 <sup>(1)</sup>

(1) Contact Glenair for data sheet.

#### Series 28 HiPer-D®



- Standard M24308 interface dimensions
- Rugged machined 6061 aluminum shell
- Grounded metal insert
- 2 – 5 El Ochito® contacts
- Straight PC tail
- EMI protected

#### For More Information

Plugs, Free-Hanging .....	280-082 <sup>(1)</sup>
Receptacles, Free-Hanging .....	280-083 <sup>(1)</sup>
Plugs, Straight PC Tails .....	280-090 <sup>(2)</sup>
Receptacles, Straight PC Tails .....	280-091 <sup>(2)</sup>

(1) Series 28 HiPer-D Catalog

(2) Contact Glenair for data sheet

#### Series 806 MIL-AERO



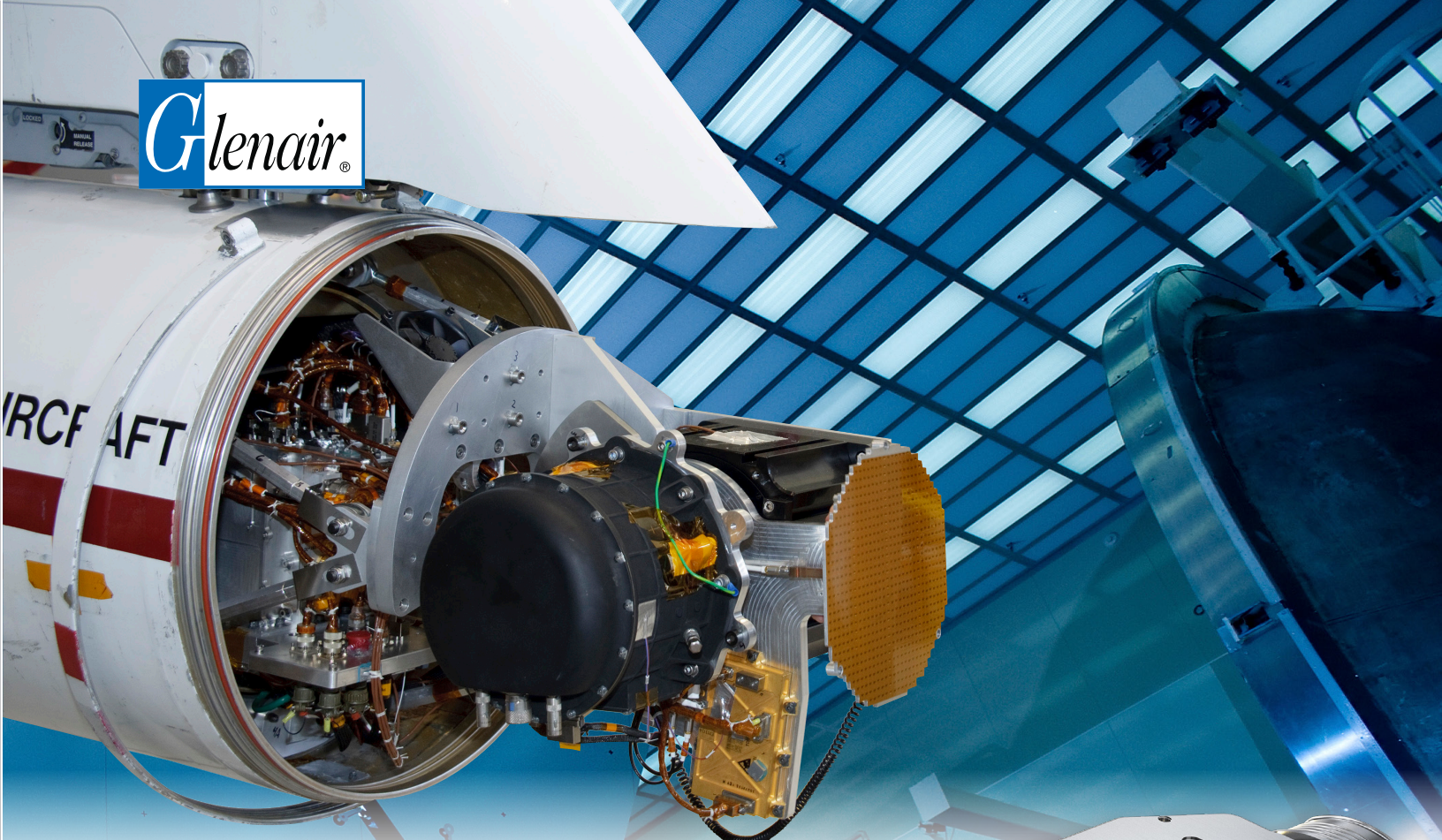
- Next-generation high performance ultraminiature aerospace connector
- Reduced pitch triple-start modified anti-decoupling stub ACME thread
- Higher density 20HD and 22HD contact arrangements
- High strength aluminum alloy plug barrel
- Snap in, rear release crimp contacts
- Up to 8 El Ochito contacts

#### For More Information

Plug, Free-Hanging .....	806-012
Receptacle, Free-Hanging .....	806-019
Receptacle, Wall Mount .....	806-013
Receptacle, Jam-Nut Mount .....	806-020
Receptacle, Jam-Nut Mount, with PC Tails .....	806-039
Receptacle, Wall Mount .....	806-022
Receptacle, Wall Mount with PC Tails .....	806-040

See Series 806 Mil-Aero Catalog for additional connector shell styles





## AEROSPACE-GRADE **Series 792** The Multi-Port Rectangular Connector for High-Speed Wire-to-Board Applications

If you're looking for a rugged, versatile, multi-port, multi-gigabit connector, the Series 792 with shielded contact technology is an ideal solution. The 792 brings high-speed performance to the popular Micro-Crimp family of aerospace-grade ultraminiature rectangular connectors. Series 792 connectors provide from one to nine high-speed data ports in a single housing, saving size and weight compared to MIL-DTL-38999 or ARINC 600 connectors. Industry-standard AS39029-type contacts are compatible with AS6070 aerospace shielded data cables. Quadrax versions are intended for 100BASE-T or ARINC 664 Ethernet. El Ochito® Octaxial contact versions are designed for 1000BASE-T, 10G Ethernet, USB 3.0, HDMI and other protocols.



Cable connectors feature fluorosilicone rubber seals and grommets. Contacts snap into connector bodies and are removable. Combo layouts have size 8 high-speed contacts plus size 23 contacts for power and signal. Panel mount options include float mounts, O-rings, EMI springs, and guide pins. Shells are precision-machined aluminum available in three conductive finishes: electroless nickel (standard), nickel-PTFE, or black zinc-nickel. Board mount connectors have straight tails or 90° tails and are epoxy-sealed.



- Designed for avionics and other high-datarate aerospace applications
- Supported protocols include 10Gb Ethernet, USB 3.0, HDMI, and DisplayPort and SATA
- Dual-lobe scoop-proof shells prevent mating damage
- Available with optional polarizing keys
- 1-9 size #8 ports, plus size #23 contact combo layouts
- Rugged environmental design with robust EMC performance
- Ideal for blind-mate applications



# MISSION-CRITICAL INTERCONNECT SOLUTIONS

## Glenair, Inc.

1211 Air Way • Glendale, California • 91201-2497

Telephone: 818-247-6000 • Fax: 818-500-9912 • sales@glenair.com

[www.glenair.com](http://www.glenair.com)

### Glenair Power Products Group

20 Sterling Drive  
Wallingford, CT  
06492

Telephone:  
203-741-1115  
Facsimile:  
203-741-0053  
sales@glenair.com

### Glenair UK Ltd

40 Lower Oakham Way  
Oakham Business Park  
Mansfield, Notts  
NG18 5BY England

Telephone:  
+44-1623-638100  
Facsimile:  
+44-1623-638111  
sales@glenair.co.uk

### Glenair Microway Systems

7000 North Lawndale Avenue  
Lincolnwood, IL  
60712

Telephone:  
847-679-8833  
Facsimile:  
847-679-8849

### Glenair Nordic AB

Gustav III : S Boulevard 46  
SE-169 27 Solna  
Sweden

Telephone:  
+46-8-50550000  
sales@glenair.se

### Glenair GmbH

Schaberweg 28  
61348 Bad Homburg  
Germany

Telephone:  
06172 / 68 16 0  
Facsimile:  
06172 / 68 16 90  
info@glenair.de

### Glenair Iberica

C/ La Vega, 16  
45612 Velada  
Spain

Telephone:  
+34-925-89-29-88  
Facsimile:  
+34-925-89-29-87  
sales@glenair.es

### Glenair Italia S.p.A.

Via Del Lavoro, 7  
40057 Quarto Inferiore –  
Granarolo dell'Emilia  
Bologna, Italy

Telephone:  
+39-051-782811  
Facsimile:  
+39-051-782259  
info@glenair.it

### Glenair France SARL

7, Avenue Parmentier  
Immeuble Central Parc #2  
31200 Toulouse  
France

Telephone:  
+33-5-34-40-97-40  
Facsimile:  
+33-5-61-47-86-10  
sales@glenair.fr

### Glenair Korea

B-1304 Gunpo IT Valley  
148 Gosan-Ro, Gunpo-Si  
Kyunggi-Do, Korea  
435-733

Telephone:  
+82-31-8068-1090  
Facsimile:  
+82-31-8068-1092  
sales@glenair.kr