



SERIES 80 ULTRAMINIATURE



MIGHTY MOUSE CONNECTORS AND CABLES

LIGHTWEIGHT • HIGH-SPEED • INDUSTRY STANDARD

APRIL 2014





SERIES 80
MIGHTY MOUSE

THE WORLD'S MOST ADVANCED AND MATURE HIGH-PERFORMANCE ULTRAMINIATURE CONNECTOR

Constant, relentless innovation



MIGHTY MOUSE

Series 80 Mighty Mouse Connectors and Cables Table of Contents



Contacts, Crimp Tools and Assembly Tools		Product Selection Guide.....A-1 Size #23 ContactsA-3 Size #20HD Contacts.....A-6 Size #12,#16, #20 Contacts.....A-7 Size #12, #16, Coax Contacts.....A-8 Pneumatic ContactsA-10 Sealing Plugs.....A-10	Crimp Tools A-11 Insertion/Removal Tools..... A-13 Contact Retention Tester A-13 Band-Master ATS [®] Tools..... A-14 Jam Nut Tightening Tools..... A-15 Twisted Pair Termination to High Speed Mighty Mouse Instructions A-17	A
General Information and Reference		Product Selection Guide.....B-1 Contact Arrangements.....B-2 Printed Circuit Board LayoutsB-8 Torque Values.....B-39	Series 80 Product SpecB-40 Space Flight InformationB-47 Modification Codes.....B-50 Material/Finish Codes.....B-51	B
Series 800 Connectors <i>UNF Threads</i>		Selection Guide.....C-1 Contact Arrangements.....C-2 General InformationC-4 Plugs.....C-6 Crimp ReceptaclesC-8	PCB Receptacles C-12 Right Angle PCB Recep.....C-15 Hermetic ReceptaclesC-20 Bulkhead Feedthrough.....C-24 CordsetsC-21	C
Series 801 Connectors <i>Rugged Double-Start ACME Threads</i>		Selection Guide.....D-1 Contact Arrangements.....D-2 General InformationD-5 Plugs.....D-9 Receptacles.....D-15 PCB Receptacles.....D-20	Right Angle PCB Recep.....D-23 Square Flange PCB Recep.....D-28 Hermetic ReceptaclesD-30 Bulk Head FeedthroughH.....D-34 Connector Savers.....D-36 CordsetsD-38	D
Series 802 Connectors <i>"AquaMouse" 3500 PSI</i>		Selection Guide.....E-1 Contact Arrangements.....E-2 General InformationE-5 PlugsE-6	Receptacles.....E-8 PCB Receptacle.....E-12 Hermetic ReceptaclesE-16 Bulkhead Feedthrough.....E-21 CordsetsE-23	E
Series 803 Connectors <i>Bayonet</i>		Selection Guide.....F-1 Contact Arrangements.....F-2 General InformationF-4 PlugsF-6 Receptacles.....F-8	PCB ReceptaclesF-12 Hermetic ReceptaclesF-14 Bulkhead Feedthrough.....F-16 CordsetsF-18	F
Series 804 Connectors <i>Push-Pull</i>		Selection Guide.....G-1 Contact Arrangements.....G-2 General InformationG-6 PlugsG-7 Receptacles.....G-12 PCB Receptacle.....G-20 Hermetic ReceptaclesG-23	Bulkhead Feedthrough.....G-26 Quick-Release Plug & Receptacle...G-28 CordsetsG-32 USB Cordset Hub & Patch CableG-38 Radio ConnectorsG-42 USB Flash Drive.....G-44 Series 824 Locking Push/Pull.....G-45	G
Series 805 Connectors <i>Triple-Start ACME Threads</i>		Selection Guide.....H-1 Contact Arrangements.....H-2 General InformationH-7 PlugsH-8 Receptacles.....H-13 PCB Receptacles.....H-18 Hermetic ReceptaclesH-22	Square Flange PCB Recep.....H-27 Right Angle PCB Recep.....H-29 Cat-Master Plug/Recep.....H-33 Bulkhead Feedthrough.....H-39 Connector Savers.....H-41 CordsetsH-43	H
Filtered Connectors <i>Planar Array Low-Pass</i>		Selection Guide.....J-1 Contact Arrangements.....J-3 PCB Footprints.....J-4 Series 801 Filtered Receptacles.....J-8	Series 804 Filtered Receptacles J-14 Series 805 Filtered Receptacles J-16 Series 805 Filtered Adapter..... J-20 Series 800 Filtered Receptacles J-22	J



Series 80 Mighty Mouse Connectors and Cables Table of Contents

K

New Size #8 Contact Arrangements

For Series 801 and 805 Connectors



Selection Guide.....	K-1
General Information.....	K-2
Contact Arrangements.....	K-5
PCB Footprints.....	K-6
Series 801 Plug and Receptacle.....	K-9
Series 805 Plug and Receptacle.....	K-16
#8 Power Contacts.....	K-22

75 Ohm Coax Contacts.....	K-24
50 Ohm Coax Contacts.....	K-26
Quadrx Contacts.....	K-28
Concentric Twinax Contacts.....	K-30
Differential Twinax Contacts.....	K-32
M39029 Coax Contacts.....	K-34

L

Series 811 Connectors

High Density



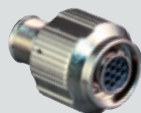
Selection Guide.....	L-1
General Information.....	L-2
Prewired In-Line Plugs.....	L-6
Prewired In-Line Receptacles.....	L-7
Square Flange Pigtail Receptacles.....	L-8

Jam Nut Pigtail Receptacles.....	L-10
Jam Nut PCB Receptacles.....	L-12
Square Flange PCB Receptacles.....	L-13
Harsh Environment Cordsets.....	L-15

M

Series 80 Connectors

With Stinger Contacts



Selection Guide.....	M-1
General Information.....	M-2
Insert Arrangements.....	M-3
Series 841 Plug.....	M-4
Series 841 Receptacle.....	M-6

Series 844 Plug.....	M-10
Series 844 Receptacle.....	M-12
Series 845 Plug.....	M-16
Series 845 Receptacle.....	M-18
Series 80 Stinger™ Contact Tools.....	M-23

N

Series 80 Overview:

Mighty Mouse High-Speed, High-Bandwidth Interconnect Solutions



High Speed Introduction.....	N-1
High Speed Connectors.....	N-4
Product Overview.....	N-6
Contacts and Tools.....	N-10

P

Series 801 High-Speed Connectors

Double-Start Acme Threads



Selection Guide.....	P-1
General Information.....	P-2
Plugs.....	P-4

Receptacles.....	P-6
PCB Receptacles.....	P-10
Cordsets.....	P-13

Q

Series 804 High-Speed Connectors

Quick-Disconnect Push-Pull Mighty Mouse



Selection Guide.....	Q-1
General Information.....	Q-2
Plugs.....	Q-4

Crimp Receptacles.....	Q-6
PCB Receptacles.....	Q-10
Cordsets.....	Q-12

R

Series 805 High-Speed Connectors

Triple-Start Acme Threads



Selection Guide.....	R-1
General Information.....	R-2
Plugs.....	R-4
Receptacles.....	R-6
Cordsets.....	R-11

S

Ultra-Twinax Size #12

Low-Impedance High-Speed Twinax



Selection Guide.....	S-1
General Information.....	S-2
Contacts.....	S-4

Plugs.....	S-10
In-Line Receptacles.....	S-12

T

SuperSeal Mighty Mouse Series 801

Micro USB Connectors



Selection Guide.....	T-1
General Information.....	T-2
Micro "B" USB Plug.....	T-5
Micro "AB" USB Receptacle.....	T-6
Front & Rear Micro "B" USB Plug.....	T-7

Front and Rear Micro "AB" USB Receptacles.....	T-8
Sav-Con with Micro "B" USB Plug and Micro "AB" USB Receptacle.....	T-9

Series 80 Mighty Mouse Connectors and Cables Table of Contents



Cordsets for High-Speed Differential Impedance



Selection GuideU-1
 General InformationU-2
 Connector Selection Guide.....U-3
 How To Order Cordsets.....U-4
 Cable and Jacket SpecificationsU-5

Strain Relief SpecificationsU-6
 Wiring SchematicsU-8
 USB 2.0 Cordsets U-11
 RJ-45 Ethernet Cordsets U-13

U

High-Speed Cable *Optimized for High-Speed Protocols*



Selection Guide..... V-1
 General Information V-2
 Parallel Pair Data Cable..... V-3
 Tactical Cat 5e Ethernet Cable V-4
 Avionic Cat 6e Ethernet Cable V-5

Cat 7 Ethernet Cable V-6
 USB 2.0 Cable V-7
 USB 3.0 Cable V-8
 IEEE 13394 Cable..... V-9
 SATA/eSATA Cable V-10

V

Fiber Optic Mighty Mouse *For Series 801, 802 and 805*



Selection Guide.....W-1
 Contact InformationW-2
 General InformationW-4
 Fiber Optic Termini.....W-5
 Series 801 Plug W-11

Series 801 Receptacle W-13
 Series 802 Plug W-18
 Series 802 Receptacle W-20
 Series 805 Plug W-24
 Series 805 Receptacle W-26

W

Series 80 Accessories



Selection Guide..... X-1
 Accessory Thread Table X-2
 Heat-Shrinkable Boots..... X-3
 Jam and Hex Nuts X-10
 Gaskets and O-Rings..... X-12
 Mounting Flange..... X-18

Shorting Caps.....X-19
 Strain Relief Clamps.....X-22
 EMI AdaptersX-25
 BackshellsX-29
 Protective Covers.....X-41
 Dummy Receptacles.....X-73

X

Part Number Index



Index

...and don't miss this late-breaking new product innovation



page G-40

Gold plated crimp contacts for #12 to #30 AWG wire

Series 824 Mighty Mouse LOCKING PUSH-PULL CONNECTORS

Introducing the new Mighty Mouse Series 824 Locking Push-Pull Connector: all the familiar size, weight and performance advantages of the industry-standard Mighty Mouse 804 push-pull connector with a revolutionary low-profile locking coupling mechanism.

- Fast mating, locking quick-release coupling mechanism
- 31 insert arrangements
- Integrated cable shield termination platform

Specifications	
Current Rating	#23 - 5 AMPS, #16 - 13 A., #12 - 23 A.
Dielectric Withstanding Voltage	#23 - 500 VAC RMS, #12 and #16 - 1800 VAC RMS
Insulation Resistance	5000 megohms minimum
Operating Temperature	-65° C to +150° C
Shock / Vibration	100 g / 16 g
Shell-to-Shell Resistance, Nickel Plated	2 milliohms maximum
Durability	2000 mating cycles
Breakaway Force	50 pounds minimum



Series 80 Mighty Mouse Performance and Specifications Review

MIGHTY MOUSE THE NEW HIGH-PERFORMANCE STANDARD

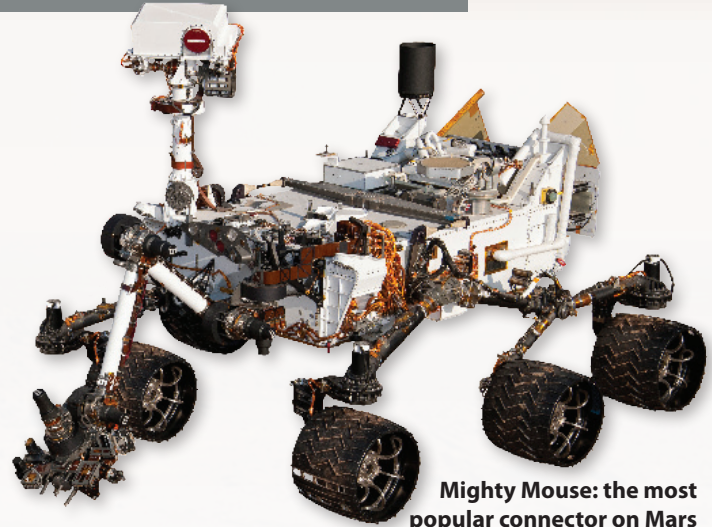
Glenair has recognized a growing need in tactical military, aerospace and specialty industrial markets for a connector series that mimics the electrical and mechanical performance of popular mil-standard connectors, such as MIL-DTL-38999, but in a smaller and lighter package. The Series 80 Mighty Mouse Connector is perfectly suited for the wide range of power and signal applications that depend on reliable environmental and mechanical performance and electromagnetic compatibility as well as high-speed applications such as gigabit Ethernet. Six different coupling styles are offered. Size #23 crimp contacts are standard, set on .076" centers. At just half the size and weight of D38999, the high-performance Mighty Mouse is now specified on hundreds of mission-critical interconnect applications worldwide and has become the de facto high-performance connector solution for many former users of D38999.

Glenair developed the Series 80 Mighty Mouse over a dozen years ago as a smaller and lighter version of D38999. Our goal was to radically reduce the size and weight of this flight-critical connector while maintaining its core performance features. Our miniaturization work took place in three key areas beginning with reduction of the shell package size and the integration of banding and shrink boot accessory functions. The integration of the backshell not only saves size and weight, it reduces cost and complexity.

Next, we designed and qualified our own SAE-AS39029 contacts based on the shorter "Series II" family of signal, data and specialty contacts. We also developed an extensive range of innovative short contacts including fiber optic and pneumatic applications. The development of our own range of shorter, Series II type contacts was a key step in gearing Mighty Mouse to meet any and all interconnection



**Mighty Mouse vs. 38999:
Half the Size and Weight**



Mighty Mouse: the most popular connector on Mars

challenges. The graphic on the next page shows just some of these high-performance contacts—from standard 39029 crimp signal and power contacts to our own unique shielded differential Twinax contact, miniaturized fiber optic contacts and highly specialized gas and pneumatic contact solutions.

Finally, we re-designed the sub-miniature D38999 insert arrangements to a higher density, ultra-miniature standard. Legacy circular connectors can be grouped into standard, miniature and subminiature families. These groupings reflect the packaging density and the contact size, and also represent the evolution of the connectors over the past 70 years. The standard group includes the venerable 5015's (including Glenair IT/ITS connectors) as well as the 28840 shipboard connector (which we also supply). Miniature circulars include the 26482 (Glenair IPT series), and the 26500 and 83723 which are still popularly specified in both military and commercial aerospace applications. The D38999 series, the only significant subminiature circular, has been a standard choice for high-performance systems for decades and Glenair supplies these connectors in every class including QPL hermetic versions, as well as environmentals, filters, fiber optics and more.

The Series 80 Mighty Mouse represents the evolution of circular technology beyond the 38999 sub-miniature format—a technology which is absolutely unmatched in today's interconnect industry. Glenair is the unchallenged

Series 80 Mighty Mouse Performance and Specifications Review



Mighty Mouse contact sampler



design and market leader for reduced package size and weight connectors of this type and style. All Series 80 Mighty Mouse versions use #23 contacts on .076 inch (1.9 mm) spacing as core contact technology, and we have extended this model with special-purpose rectangular, modular and (even) higher-density connectors.

This then is the benchmark we have established with Mighty Mouse: Interconnect systems that are so small and light that they are weighed in tenths of grams while still meeting the performance specifications of even the most mission-critical of applications. But the benefits of connector package size reduction are not limited to the connector itself, as we will discuss in the following paragraphs.

Large format connectors: The hidden costs

Let's look at some of the hidden costs of large format/weight connectors, starting at the board. Obviously, large form factor I/O-to-board connectors, such as the array of D38999 Series III connectors shown to the right, force an expansion of board real estate. Larger boards in turn lead to larger form factor boxes, panels and enclosures. And of course larger gage wires and lower density contact arrangements lead to fatter and heavier interconnecting cables, including increases in accessory hardware size, and the amount of shielding and jacketing material required.

The final result is that electronic systems pay a huge penalty in size and weight. Obviously this is not a problem in every application. But with the lower power and signal voltage requirements of today's electronic systems, the opportunity is ripe to design systems with reduced size circuits and connectors.

The graphic says it all. Small connectors, small wires and contacts, higher density contact arrangements, integrated accessory functions and the many other design advancements of the Series 80 Mighty Mouse translate to smaller and lighter boards, boxes, cables and systems.



Mighty Mouse means smaller and lighter boxes, boards and cables compared to MIL-DTL-38999

Mighty Mouse Mechanical Performance: Equal to D38999

Mechanical

Nothing illustrates the performance potential of the Series 80 Mighty Mouse better than a cross-sectional view of the ultraminiature connector's architecture. Note that this plug and receptacle pair on page 7 share many of the same design features as D38999. Shells are precision machined and are designed for keyed mating and shell-to-shell bottoming. Sealing features include cork-and-bottle interfacial seals, O-ring seals and robust grommet wire seals. In the mated condition, the connectors are sealed IAW MIL-STD-810, method 512, 1 meter for 1 hour, and pass rigorous altitude immersion requirements IAW MIL-DTL-38999. Two-piece dielectrics and copper contact retention clips are modeled after D38999 and, together with the shell-to-shell bottoming, provide for equal levels of grounding and shell-to-shell resistance as D38999. Contacts, as we mentioned before, are either QPL AS39029 signal contacts, such as the size 23 pin and socket contacts shown in the diagram, or enhanced-durability contacts designed IAW AS39029 requirements (in the case of our fiber optic solutions and proprietary shielded contacts). Note that Mighty Mouse offers either an integrated band porch or accessory threads as a standard feature of the design.



Series 80 Mighty Mouse Performance and Specifications Review

Mechanical Perf. Feature/Connector Class	MIL-DTL-38999	Mighty Mouse
Full Mate Visual Indicator	Yes	Yes
Integrated Contact Retention System	Yes	Yes
Interfacial and Grommet Seals	Yes	Yes
Fully Shielded	Yes	Yes
Lightning Strike	Yes	Yes
Shell-to-Shell Bottoming	Yes	Yes
Threaded/Toothed Accessory Interface	Yes	Yes
Full Range of Assembly Tools	Yes	Yes
Environmental	Yes	Yes
Space-Grade	Yes	Yes
Hermetic	Yes	Yes
EMI Filter	Yes	Yes
3500 PSI Submersible	No	Yes
Ground Plane	Yes	Yes
ESD	Yes	Yes
Lanyard Release	Yes	Yes
Bulkhead Feed-Thru	Yes	Yes
Sav-Con® Connector Saver	Yes	Yes

The table shown above lists some of the core mechanical features of the Mighty Mouse, again in lock-step with D38999. Note that all the desirable features of the 38999 are duplicated in the Mighty Mouse: from a full-mate visual indicator, to its adequate mass in resistance to lightning strike.

Service Class

You will see the term Service Class still used in many connector catalogs. This pertains to the environmental parameters in which the connector will operate successfully. For example, service class defines the level of environmental sealing, or chemical resistance, or the ability to withstand vibration, or corrosion resistance or operating temperature. Some examples from 38999 Series III: class G for space grade, class H for hermetic, class K for firewall. These class grades are all fully supported and qualified in the Series 80 Mighty Mouse. For a detailed report on all these benchmarks, please see Section B of this catalog, where a complete performance specification is supplied. In addition, we are pleased to offer our Mighty Mouse customers detailed test reports on any aspect of the connector's performance. As we like to point out, Mighty Mouse is a mature connector series with over twelve years of successful deployment in high-reliability applications. And we have the testing to prove it.

See the table above for a little more detail on connector classes. Note that Mighty Mouse again stacks up well against D38999 and even surpasses thirty-eight-nine in the category of high-pressure submersible interconnects. From standard environmentals to space-grade versions, hermetics, EMI filters, ground plane designs and more, Mighty Mouse delivers every class of connector available in D38999. And

these are not just special capabilities available with long-lead times. These products are all available as standard catalog offerings, with thousands of popular part numbers available for immediate same-day shipment.

Wire Termination

Turning to wire termination, Mighty Mouse is again the equal of its larger and heavier role-model. We offer straight and right-angle PC tail terminations, single and double-ended cordsets (which by the way are available as quick-turn catalog items, even including high-speed variants, shielded and overmolded versions), solder cup, and of course crimp. We even offer flex terminations and back-to-back jumpers.

Plating

Glenair is a major innovator in material and plating technologies, particularly for conductive and RoHS (cadmium-free) applications. Some of the more popular Glenair material and plating solutions include plated composites, RoHS compliant Nickel-PTFE and electroless-nickel—all available for Mighty Mouse. Glenair has mastered the difficult challenges of fielding plated specialty metal parts in harsh and corrosive applications and can offer standard Mil-qualified formulas as well as unique solutions for special applications. All our materials are sourced in accordance with DFARS 252.225-7014 Preference for domestic specialty metals requirements.

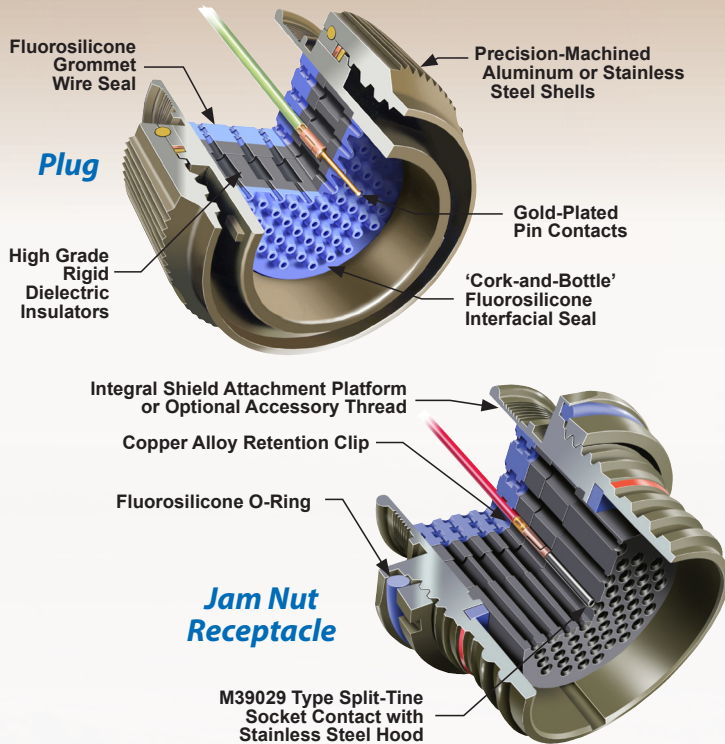
Mighty Mouse Performance: Superior to D38999

We've already offered quite a few facts demonstrating how Mighty Mouse, even with its smaller size and weight, is equal to the performance standards set by MIL-DTL-38999. So next we'll take a look at some of the ways this ultraminiature connector actually outperforms 38999.

More Shell Sizes & Contact Arrangements

First off, Mighty Mouse offers a greater range of shell sizes and contact counts for more efficient matching of circuit requirements to available shell sizes and insert arrangements. This, combined with the broader range of coupling styles offered by Mighty Mouse, makes the connector series far more versatile than 38999. In other words, users can standardize on Mighty Mouse more readily than 38999—throughout their entire range of application requirements—without having to turn to a different series with new contact termination tooling, assembly procedures, quality standards and so on to meet unique or unanticipated circuit requirements.

Series 80 Mighty Mouse Performance and Specifications Review



More Wire Sizes Supported

Mighty Mouse also offers broader wire support, from size 22 to 28; turnkey cordsets—right out of the catalog with short leadtimes and guaranteed quality; Integrated band porch or accessory thread interface; Split shell Cobra connectors (more on this later) for ultra-low-profile wire routing; high speed PFA Teflon inserts for optimized high-speed performance; a compatible rectangular series—Micro-Crimp—that features the exact same contacts, density and performance as Mighty Mouse; and last but not least, the performance benefits of lower harmonic shock susceptibility that comes from the reduced mass of Mighty Mouse compared to 38999.

Six Mating Styles

Turning to mating technology, MIL-DTL-38999 offers four mating styles: two bayonets, the popular triple-start threaded and the rarely used breach-lock series IV version. Mighty Mouse offers six mating technologies: The series 800 UNF thread version designed for use in small instruments; the Series 801—our most popular style—that combines small size with rapid double-start stub acme mating; The threaded-coupling Aqua Mouse with its high-pressure piston seal for 3500 PSI applications; the quarter-turn-to-full-mate series 803 bayonet; the Quick disconnect series 804 push-pull; and the Series 805 with triple-start coupling and ratcheting anti-decoupling mechanism—an exact work-alike to the series III 38999—of course with reduced size and weight as the principle differentiator.

A Broader Range of Contacts

Both 38999 and Mighty Mouse offer an incredibly broad range of signal, data, power and specialty contacts. But Mighty Mouse once again outstrips 38999 with a broader range of contact sizes and types including layouts with size 23, 20, 20HD, 16, 12, and size 8 contacts and cavities. Mighty Mouse also offers a broader range of hybrid layouts and more sizes and types of fiber optic termini, pneumatic termini and, opto-electric contacts, low-insertion force contacts and more. In fact, no other connector series in our industry supports as diverse a range of contact technologies as Mighty Mouse.

Mighty Mouse Rectangular Version

The Series 79 Micro-Crimp takes all the attributes of the Mighty Mouse and packages them up in a high-performance rectangular.

Like the Mighty Mouse, the Micro-Crimp connector features crimp, rear-release size #23 contacts on .075 inch (1.9 mm) spacing, as well as size #12 and #16 power and coaxial crimp contacts in a range of hybrid layouts. Available in 29 insert arrangements, Micro-Crimp provides superior EMI shielding and improved environmental sealing compared to M24308 D-sub connectors. Micro-Crimp plugs include an EMI spring made of gold plated stainless steel or copper alloy. Right angle PCB receptacles feature an aluminum alloy EMI shroud.

Micro-Crimp meets the shielding effectiveness requirements of EIA 364-66, and fluorosilicone interfacial seals and grommets, and watertight EMI gaskets for panel mounts ensure adherence to MIL-STD-810F for 1 meter immersion for 1 hour. The Series 79 Micro-Crimp is ideally suited for blind-mate rack and panel and/or module-to-chassis applications and is a perfect complement to Mighty Mouse in systems that require both high-density, stackable connectors as well as circulars for ease of mating.

Constant, Relentless Innovation

Another strength of Mighty Mouse compared to D38999 is the relentless innovation that has brought the series to a point where it now outstrips the series in versatility and application. Glenair also offers a range of series extensions including high-speed, high-density, USB equipped, and fiber-optic variants. High-quality documentation, including performance specifications and comprehensive test reports are available for every solution. Complete information is available in this catalog, and at www.glenair.com.



Series 80 Mighty Mouse Standard Series Discrete Connector Offerings

The Series 80 Mighty Mouse Connector is designed for high-reliability commercial and aerospace/defense interconnect applications that require both robust environmental/EMI performance and reduced size and weight. The Series 80 Mighty Mouse Connector offers comparable performance to MIL-DTL-38999 Series interconnects with up to 71% weight and 52% size savings for similar contact layouts. The six versions of the product offer a variety of styles and features to suit just about any application.

Series 800



Series 801



Description

Original Mighty Mouse with UNF Threads

Double-Start ACME Thread

Notes

A general purpose connector for high-speed Ethernet switches, tactical equipment and instrumentation.

More rugged keys and threads compared to Series 800. Faster mating, slightly larger than Series 800.

Number of Contacts

1 to 37

1 to 130

Coupling

Threaded Coupling with 4 ½ Turns to Full Mate

Threaded Coupling with 1 ½ Turns to Full Mate

Water Immersion, Mated

MIL-STD-810 Method 512
1 Meter for 1 Hour

MIL-STD-810 Method 512
1 Meter for 1 Hour

EMI Shielding

Good

Good

Vibration and Shock

37 g's Random Vibration;
300 g's Shock

37 g's Random Vibration;
300 g's Shock

Mating Cycles

2000 Cycles

2000 Cycles

Electrical Performance

#12: 23 Amp, 1800 VAC
#16: 13 Amp, 1800 VAC
#20HD: 7.5 Amp, 1000 VAC
#23: 5 Amp, 750 VAC

#12: 23 Amp, 1800 VAC
#16: 13 Amp, 1800 VAC
#20HD: 7.5 Amp, 1000 VAC
#23: 5 Amp, 750 VAC

Proven Performance Applications

Commercial air frame sensors;
UAV telemetry; Tactical computers; field radios

Military air frame;
Dismounted soldier; Tactical ground weaponry; Avionic (FLIR) systems

Series 80 Mighty Mouse Standard Series Discrete Connector Offerings



Series 802	Series 803	Series 804	Series 805
			
AquaMouse™ 3500 PSI	Bayonet	Push-Pull	Triple-Start ACME Thread
Rugged stainless steel, resists chemicals. For geophysical and underwater applications.	Quick-mating, light duty, general purpose. Not rated for immersion. 50 milliohms shell-to-shell resistance.	Breakaway connector for headsets and tactical equipment. Gold-plated spring for long mating life and superior EMI shielding.	"Clicker" ratchet mechanism and ground spring for military airframes and avionics boxes. Fast-mating, D38999 equivalent.
1 to 130	1 to 55	1 to 55	1 to 130
Threaded Coupling with UN Threads	Push-to-Mate, ¼ Turn to Lock	Quick-Disconnect	One Full Turn for Full Mate
1000 Feet Immersion in Salt Water	Splashproof	MIL-STD-810 Method 512 1 Meter for 1 Hour	MIL-STD-810 Method 512 1 Meter for 1 Hour
Good	Fair	Very Good	Excellent
37 g's Random Vibration; 300 g's Shock	37 g's Random Vibration; 300 g's Shock	37 g's Random Vibration; 300 g's Shock	37 g's Random Vibration; 300 g's Shock
2000 Cycles	100 Cycles Aluminum 250 Cycles SST	2000 Cycles Aluminum 2000 Cycles SST	500 Cycles
#12: 23 Amp, 1800 VAC #16: 13 Amp, 1800 VAC #20HD: 7.5 Amp, 1000 VAC #23: 5 Amp, 750 VAC	#12: 23 Amp, 1800 VAC #16: 13 Amp, 1800 VAC #20HD: 7.5 Amp, 1000 VAC #23: 5 Amp, 750 VAC	#12: 23 Amp, 1800 VAC #16: 13 Amp, 1800 VAC #20HD: 7.5 Amp, 1000 VAC #23: 5 Amp, 750 VAC	#12: 23 Amp, 1800 VAC #16: 13 Amp, 1800 VAC #20HD: 7.5 Amp, 1000 VAC #23: 5 Amp, 750 VAC
Pipe line inspection equipment; Well logging; Amphibious vehicles; Unmanned submersibles	Soldier system radios; Autosport diagnostics; Airborne surveillance; Communication systems	Helmet breakaway connector; QDC battery; Missile applications; Weapon interconnects	Military air frame; Joint Strike Fighter



Series 80 Mighty Mouse Special Application Series Discrete Connector Offerings

In addition to our standard Series 80 Mighty Mouse Connector offerings Glenair has introduced unique variations of the Mighty Mouse Series to meet the requirements of high speed, high density applications

Size #8 Contact Arrangements



High-Density



Description	For Use with Power or Shielded Size #8 Contacts	High-Density
Notes	Low-profile, lightweight connector compatible with size #8 Twinax, Quadrax and coax contacts as well as power	TwistPin contacts for increased circuit density and outstanding shock and vibration performance
Number of Contacts	1 to 5	7 to 42
Coupling	Threaded Coupling with: 801 - 1 ½ Turns to Full Mate 805 - 1 full turn to Full Mate	Threaded Coupling with 1 ½ Turns to Full Mate
Water Immersion, Mated	MIL-STD-810 Method 512 1 Meter for 1 Hour	MIL-STD-810 Method 512 1 Meter for 1 Hour
EMI Shielding	801 - Good 805 - Excellent	Good
Vibration and Shock	37 g's Random Vibration; 300 g's Shock	37 g's Random Vibration; 300 g's Shock
Mating Cycles	801 - 2000 Cycles 805 - 500 Cycles	2000 Cycles
Electrical Performance	#8 Power Contacts: 46 Amp #8 Coax: 75 Ohm; 1300 VAC #8 Quadrax: 100 Ohm #8 Con. Twinax: 1A; 500 VAC #8 Dif.Twinax: 100 Ohm	3 Amp, 600 VAC
Proven Performance Applications	Commercial and military avionics that use industry standard size #8 quadrax, coax, twinax and power contacts	Ultra high-density solution for soldier gear, unmanned systems and man-portable satellite uplink equipment

Series 80 Mighty Mouse Special Application Series Discrete Connector Offerings



High-Speed	Low Impedance Twinax	Micro USB	Ultra Low Profile
			
<p>High-Speed</p>	<p>#12 Ultra-Twinax</p>	<p>SuperSeal™</p>	<p>Cobra™</p>
<p>Features DuPont Teflon® insulators for superior electrical performance in protocol specific applications like eSATA and USB 2.0/3.0</p>	<p>Size #12 Twinax contacts for ultra-high speed differential pair applications such as LVDS and CML</p>	<p>Superior sealing—IP68 when mated—for complete system protection against water, sand and dust</p>	<p>Superior sealing—IP68 when mated—for complete system protection against water, sand and dust</p>
<p>4 to 26</p>	<p>1 to 200</p>	<p>Micro USB</p>	<p>4 to 130</p>
<p>801 - Threaded Coupling with 1 ½ Turns to Full Mate 804 - Push/Pull</p>	<p>Threaded Coupling with 1 ½ Turns to Full Mate</p>	<p>Double-Start Stub Acme Threaded, QDC Push-Pull, and Triple-Start Threaded</p>	<p>801 - Double Start 804 - Push Pull Plug 805 - Triple Start Plug</p>
<p>MIL-STD-810 Method 512 1 Meter for 1 Hour</p>	<p>MIL-STD-810 Method 512 1 Meter for 1 Hour</p>	<p>MIL-STD-810 Method 512 1 Meter for 1 Hour</p>	<p>MIL-STD-810 Method 512 1 Meter for 1 Hour</p>
<p>801 - Good 804 - Very Good</p>	<p>Good</p>	<p>Good</p>	<p>Excellent</p>
<p>37 g's Random Vibration; 300 g's Shock</p>	<p>37 g's Random Vibration; 300 g's Shock</p>	<p>37 g's Random Vibration; 300 g's Shock</p>	<p>37 g's Random Vibration; 300 g's Shock</p>
<p>2000 Cycles</p>	<p>2000 Cycles</p>	<p>2000 Cycles</p>	<p>801 and 804: 2000 Cycles 805: 500 Cycles</p>
<p>#23: 5 Amp; 750 VAC</p>	<p>#12: 1 Amp, 1800 VAC</p>	<p>USB: Signal pins: 1 Amp Power pins: 1.8 Amp DWV: 600 VAC</p>	<p>#23: 5 Amp; 750 VAC</p>
<p>High-speed solution for databus frequencies above 1 GHz such as eSATA, 10GBASE-T and LVDS</p>	<p>High-speed differential impedance solution for multi-gigabit data rate applications such as CML</p>	<p>Ruggedized environmental solution for commercial grade micro USB integration in military and avionics gear</p>	<p>Ideal for soldier systems such as battery units, ruggedized laptops, command and communications equipment</p>



Series 80 Mighty Mouse Standard and High-Speed Series Cordsets and Jumpers

Standard and High-Speed Cordsets

AVAILABLE FOR ALL MIGHTY MOUSE SERIES CONNECTORS

Harsh Environment Shielded Cordsets



Point-to-point cordsets with polyamide or high-temp rubber overmolding and shielded, jacketed cable for environmental applications

Ultraflexible Phantom Cordsets



Point-to-point cordsets with polyamide or high-temp rubber overmolding and flexible fabric overbraid for non-environmental applications

High Pressure AquaMouse Cordsets



Point-to-point cordsets with polyamide or high-temp rubber overmolding and shielded, jacketed cable for high-pressure applications

Mighty Mouse Cordsets for Ethernet and other high-speed data applications



Native Mighty Mouse to Mighty Mouse point-to-point cordsets with polyamide or high-temp rubber overmolding and shielded, jacketed cable for high-speed applications

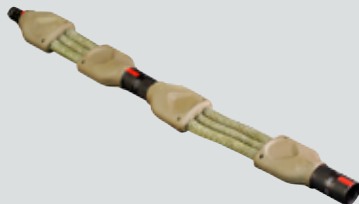


Mighty Mouse to commercial USB point-to-point cordsets with polyamide or high-temp rubber overmolding and shielded, jacketed cable for Universal Serial Bus applications



Mighty Mouse to commercial RJ45 point-to-point cordsets with polyamide or high-temp rubber overmolding and shielded, jacketed cable for Cat 5 and Cat 6 Ethernet applications

Special application, point-to-point cordsets



Unique overmolding compounds, jacketing and overbraid materials available on a build-to-print basis



Incorporation of customer-supplied connectors, including audio frequency and non-standard power connectors



Ethernet jumpers incorporating Mighty Mouse connectors in place of non-rugged commercial connectors

Series 80 Mighty Mouse
Complex Cable Assemblies for
Mission-Critical Applications



Turnkey Complex and Multibranch Cable Assemblies

SAVE TIME, LABOR, AND ENGINEERING BANDWIDTH WITH GLENAIR MIGHTY MOUSE BUILD-TO-PRINT CABLES AND ASSEMBLIES

Harsh Environment Overmolded



Overmolded breakout assembly featuring 100% Glenair content; a true turnkey solution



Multibranch cable assembly with Glenair Mighty Mouse, HiPer-D M24308 and customer-supplied power connector



Turnkey overmolded GPS cable assembly with integrated switch



Environmental cable with Glenair Series 804 Mighty Mouse, Series 79 Micro-Crimp, and RF Coax terminations

Ultraflexible Fabric Overbraid



Non-environmental aircraft cable with integrated circuit breakout box and Mighty Mouse 804 push-pull connectors



Heads-up display (HUD) cable with custom Series 804 Mighty Mouse and low-profile cable routing



Military jet jumper cable with user-serviceable backshells and fabric overbraid for mechanical protection



Hybrid Mighty Mouse and Micro-D aircraft pilot helmet cable assembly



Series 80 Mighty Mouse Integrated System and Subsystem Fabrication and Assembly

Turnkey Engineering, Fabrication, and Assembly

MIGHTY MOUSE TECHNOLOGY AND GLENAIR DESIGN EXPERTISE TURNS COMPLEX INTERCONNECT CHALLENGES INTO TURNKEY SOLUTIONS

Glenair invented the ultra-small form factor Mighty Mouse used in hundreds of the most advanced land, sea, air and space interconnect applications. Today, our factory is positioned to meet every requirement for complex integrated systems—from cable and enclosure design to turnkey electronic system packaging. Glenair is your one-stop-shopping solution for integrated interconnect cabling and electronic equipment

Lightweight soldier system with ruggedized computing, radio communications, power supply and tactical USB/networking patchcords—all integrated with turnkey Glenair connector technology.



Ultra-flexible RF cable assembly, USB hub, and connectorized black box enclosure—tested, terminated, and ready for immediate application



Turnkey integrated cable and EUD assembly featuring Mighty Mouse, 55116 audio and USB interconnects—all fabricated, assembled and tested by Glenair's Mighty Mouse integrated systems group



EUD cable for AN/PRC series radios and chargers

Audio frequency cable assembly

Secondary EUD cable



USB tactical patchcord

AN/PRC series radio connector

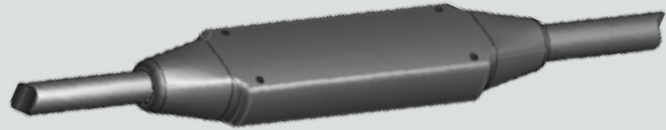
Audio frequency 55116 type connector and cable



Series 80 Mighty Mouse Integrated System and Subsystem Fabrication and Assembly



USB 3.0 Flash Drive Features 804 Series Push/Pull ruggedized interface available with 8GB, 16GB, 32GB or 64GB storage capacities. Designed for ground soldier data upload and download; IP67 sealed for harsh environments.



Ethernet-to-USB 2.0 and RS232-to-USB 2.0 Cordset with In-line overmolded conversion adapters. Unique Glenair solution to mixed-protocol network environments. Available for Mighty Mouse Series 801 thru 805 equipped cordsets.



From simple integration projects like the USB 3.0 flash drive shown above, to highly-complex integrated assemblies such as this helicopter FLIR package, Glenair has become the industry's design partner and turnkey fabrication and assembly supplier.



AN/PRC-148, AN/PRC-152, 152A, 154 and RF-7800T Radio Connectors with Series 804 Mighty Mouse Push/Pull Interface. Radio connector cables are available as cabled, un-cabled, and pigtail versions. Radio interface features spring-loaded contacts for reliable and mating and are 100% electrically tested for shorts, continuity and insulation resistance at 200 Megohms minimum.



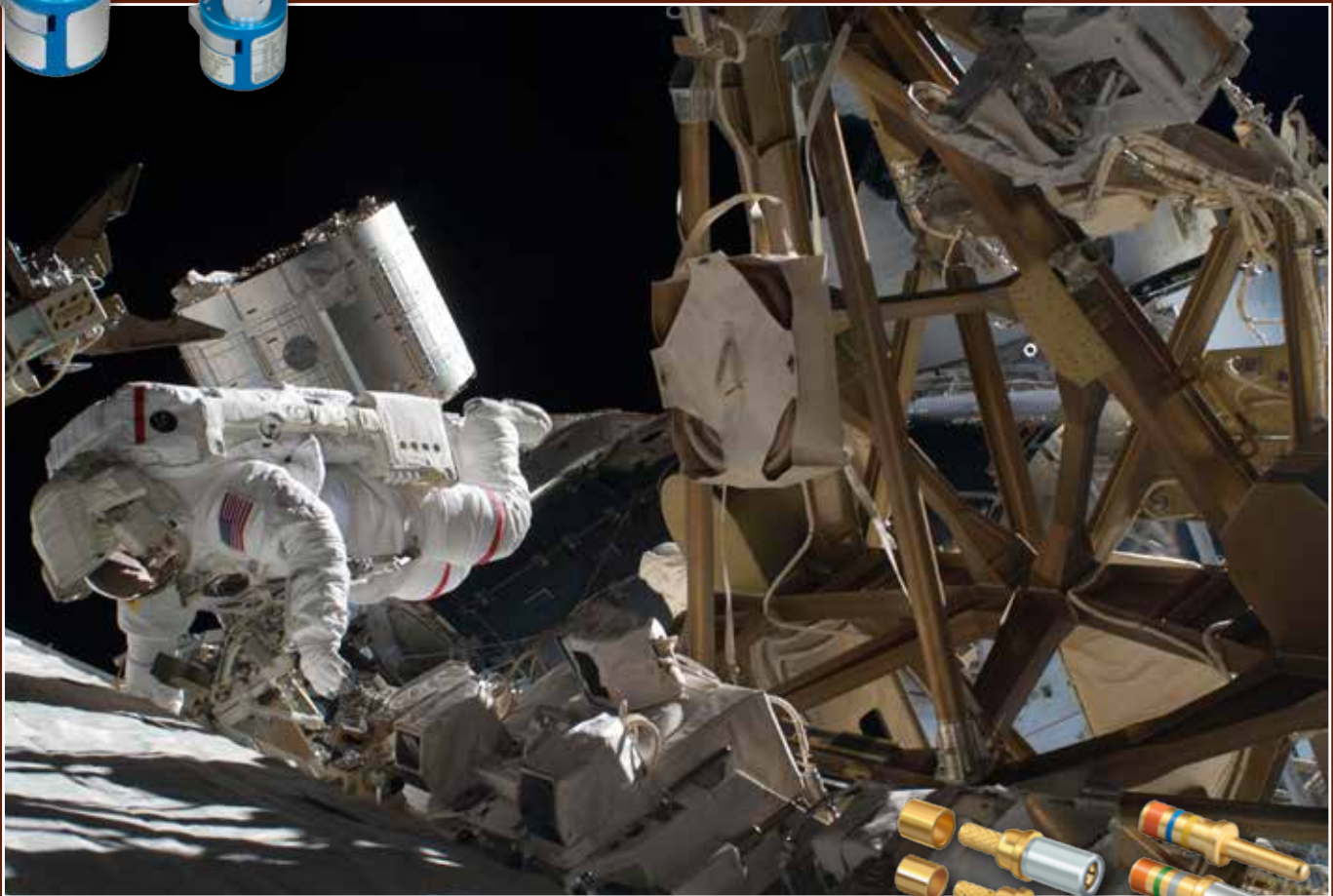
Connectorized (Series 804 Mighty Mouse push-pull) PDA for ruggedized/tactical applications.



TOOLS AND
CONTACTS

MIGHTY MOUSE

The widest range of standard signal and special-purpose contacts available in *any* ultraminiature connector



Glenair Series 80 Mighty Mouse connectors are designed around our qualified SAE-AS39029 contacts based on the shorter "Series II" family of signal, data and specialty contacts. Glenair has also developed an extended range of innovative short contacts including fiber optic and pneumatic applications. The development of our own range of shorter, Series II type contacts was a key step in gearing Mighty Mouse to meet any interconnection challenge. All our contacts are supported with appropriate extraction and crimp tools—all typically in-stock and ready for immediate shipment.



Glenair, Inc.
1211 Air Way
Glendale, CA
91201-2497
818-247-6000
sales@glenair.com
www.glenair.com

Series 80 Mighty Mouse Contacts and Tools

Table of Contents and Introduction

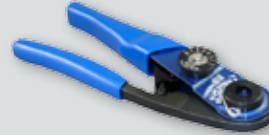


PRODUCT SELECTION GUIDE

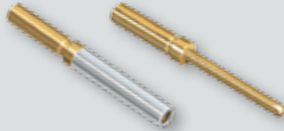
A



About Series 80 Contacts
Page A-3



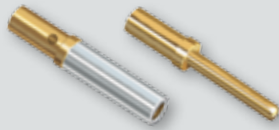
Contact Crimping Tools
Page A-12



#23 Contacts
Page A-3



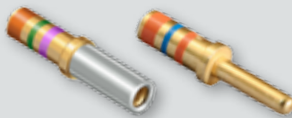
Positioners for Crimp Tools
Page A-12



#20HD Contacts
Page A-7



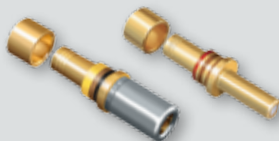
Insertion/Extraction Tools
Page A-14



#20, #16, #12 Contacts
Page A-8



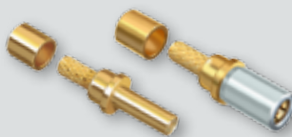
Contact Retention Tester
Page A-14



**#16 and #12 Coaxial
Contacts**
Page A-9



**Band-Master™ ATS Shield
Band Installation Tool**
Page A-15



**#12, 50 Ohm Matched
Impedance Coaxial
Contacts**
Page A-10



**Band-Master™ ATS Shield
Bands**
Page A-15



#23 - #20 Wire Adapter
Page A-7



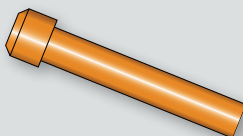
Jam Nut Tightening Tools
Page A-16



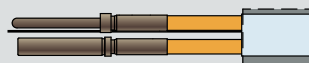
#12 Pneumatic Contacts
Page A-11



Connector Holding Tools
Page A-17



Grommet Sealing Plugs
Page A-11



**Shield Twisted Pair
Termination to High Speed
Mighty Mouse**
Page A-18

Dimensions in Inches (millimeters) are subject to change without notice.



Series 80 Mighty Mouse General Information

A

About Series 80 Mighty Mouse Contacts

This section of the catalog contains ordering information for contacts. Series 80 Mighty Mouse connectors are supplied with a full complement of crimp contacts. Contacts are terminated to wire using special tools and are snapped into place by hand or with a hand-held insertion tool. Damaged or miswired contacts may be removed from the connector using special extraction tools.

Although the connectors are supplied with a full complement of contacts, extra contacts are commonly purchased as spares or to use for quality assurance purposes such as crimp tensile tests.

Coaxial contacts must be ordered separately. If your application requires coaxial contacts, select contact types "A" or "B" (pin or socket) in the connector part number. The connector will be supplied without contacts. Select the appropriate coaxial or pneumatic contact from this catalog.

Mighty Mouse contacts conform to the requirements of **Aerospace Standard AS39029**. This SAE specification defines the design, dimensions and performance of contacts used in aerospace grade electrical connectors. The "**general specification**" covers a variety of contacts including thermocouple, hermetic, coaxial and triaxial types.

The "**slash sheets**" contain dimensions and other information for specific types of contacts. Each contact is assigned a **Basic Identification Number (BIN)**, a non-significant three digit code corresponding to the color code on the contacts.

A **Qualified Products List (QPL)** identifies those manufacturers whose products have been verified to meet all requirements.

Series 80 Size #23 and size #20HD contacts conform to AS39029 requirements, but are not covered by a slash sheet. Size #20, #16 and size #12 contacts are standard AS39029 contacts.

About Crimp Tools

Series 80 signal, power and coaxial contacts are crimped to wire using mil spec crimpers. **Military Specification MIL-DTL-22520** provides the aerospace/defense industry with a common set of rugged, reliable hand crimp tools. This specification controls the voltage drop and tensile strength of crimp terminations.

Before ordering, check to see if you might already have these tools! We have listed the military part number and the Daniels part number. Daniels Manufacturing Corporation is the leading manufacturer of these tools. However, size #23 and #20HD contacts require special positioners unique to the Mighty Mouse product line.

Tip: Use the Tool Code to Find The Right Crimp Tool

1 Find the contact part number in the catalog. Note the tool codes in the right column. These tool codes identify the crimp tools required to terminate the contact. Usually two tools are required—a crimp frame plus a positioner to locate the contact.

2 Turn to the tool section starting on page A-11. Each crimp tool is identified with a letter code. Match the contact letter to the tool letter.

Contact Type	Wire Size	Material	Part Number	Ø A		Color Band	Tool Code
				In.	mm.		
Pin	#22 - #28	BeCu	809-011	.0335-.0355	0.851-0.902	None	A, C
Pin	#26 - #30	BeCu	809-042	.0229-.0245	0.582-0.622	Blue	A, D
Pin	#22 - #28	Alumel	809-065A	.0335-.0355	0.851-0.902	None	A, C
Pin	#22 - #28	Chromel	809-065C	.0335-.0355	0.851-0.902	None	A, C
Socket	#22 - #28	BeCu	809-002	.0335-.0355	0.851-0.902	None	A, C
Socket	#26 - #30	BeCu	809-043	.0229-.0245	0.582-0.622	Blue	A, D

Miniature Adjustable Crimp Tools

These crimp tools perform precision eight-indent crimps for gas-tight wire terminations and excellent tensile strength. Adjustment wheel has 8 settings. Ratchet mechanism prevents improper crimps. Use with bayonet-type positioners. Check calibration with M22520/3 gages. Length is 6.75 inches, weight is approx. 10 oz.

A Standard M22520/2-01 crimper. Use with standard size #23 and #20HD Mighty Mouse contacts and with M39029/76 and /78 coaxial center contacts. Requires positioner, ordered separately.

B Special MH992 crimper used with 50 ohm matched impedance coaxial inner contacts. Requires positioner, ordered separately.

Figure	Part Number	Military Part Number	Daniels Part Number	Tool Code
A	809-015	M22520/2-01	AFM8	A
B	809-128	(none)	MH992	B

Dimensions in Inches (millimeters) are subject to change without notice.

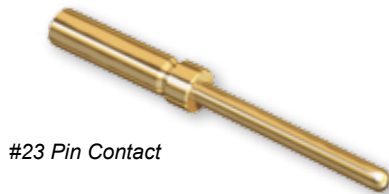
Series 80 Mighty Mouse Contacts and Tools

Size #23 Removable Crimp Contacts



Size #23 crimp contacts for AWG 22 to 30 gauge

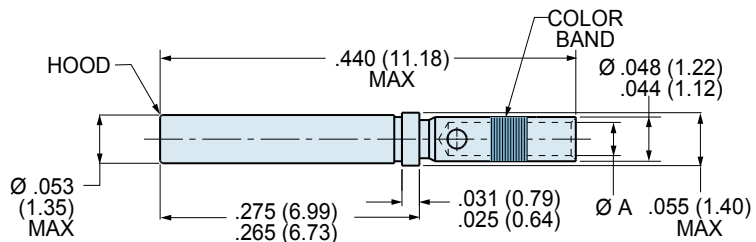
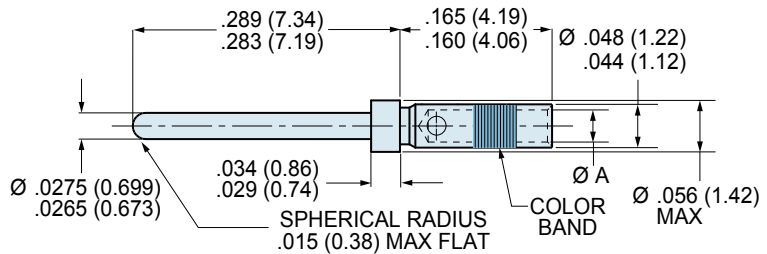
Standard size #23 contacts accept #22 to #28 AWG wire. Choose "small bore" versions for #26 to #30 AWG wire. For thermocouple applications, specify alumel or chromel contacts. Contacts are bulk packaged. Terminate with standard M22520 crimper with special positioner.



#23 Pin Contact



#23 Socket Contact



NOTES

Material and Finish

- Beryllium copper alloy per ASTM B196 or B197, 50 microinches gold plated per ASTM B488 Type II Code C Class 1.25 over nickel plate per QQ-N-290 Class 2, 50-100 microinches.
- Thermocouple contacts: alumel or chromel alloy, unplated, per ANSI 96.1
- Socket contact hood: stainless steel, passivated per AMS-QQ-P-35.

Specifications

- Current Rating: 5 Amps maximum
- Voltage Drop (at 5 Amps and 25° C): 70 millivolts maximum
- Temperature Range: -65° to +175° C
- Socket Contact Minimum Separation Force: 0.5 ounces

Crimp Tools and Insertion/Removal Tools

- Crimper: 809-015
- Positioner: 809-005 (standard). Use P/N 809-057 for small bore contacts 809-042 and 809-043
- Standard Insertion/Removal Tool: 809-088

Size #23 Removable Crimp Contacts							
Contact Type	Wire Size	Material	Part Number	Ø A		Color Band	Tool Code
				In.	mm.		
Pin	#22 - #28	BeCu	809-001	.0335-.0355	0.851-0.902	None	A, C
Pin	#26 - #30	BeCu	809-042	.0229-.0245	0.582-0.622	Blue	A, D
Pin	#22 - #28	Alumel	809-065A	.0335-.0355	0.851-0.902	None	A, C
Pin	#22 - #28	Chromel	809-065C	.0335-.0355	0.851-0.902	None	A, C
Socket	#22 - #28	BeCu	809-002	.0335-.0355	0.851-0.902	None	A, C
Socket	#26 - #30	BeCu	809-043	.0229-.0245	0.582-0.622	Blue	A, D
Socket	#22 - #28	Alumel	809-066A	.0335-.0355	0.851-0.902	None	A, C
Socket	#22 - #28	Chromel	809-066C	.0335-.0355	0.851-0.902	None	A, C

Crimp Tensile Strength (Values are in pounds and are minimums.)					
Wire Gage	Silver or Tin Coated Copper Wire	Nickel Coated Copper Wire	Wire Gage	Silver or Tin Coated Copper Wire	Nickel Coated Copper Wire
#22	12	8	#28	3	2
#24	8	6	#30	1.5	1.5
#26	5	3			

Dimensions in Inches (millimeters) are subject to change without notice.

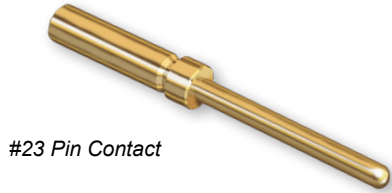


Series 80 Mighty Mouse Contacts and Tools

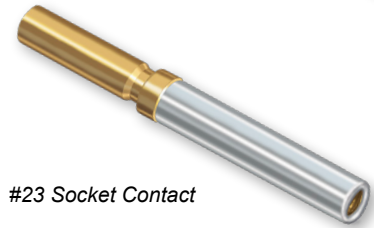
809-335 Size #23 Pin Contact and 857-034 Socket

Size #23 crimp contacts for combo arrangements with size #8 contacts

A

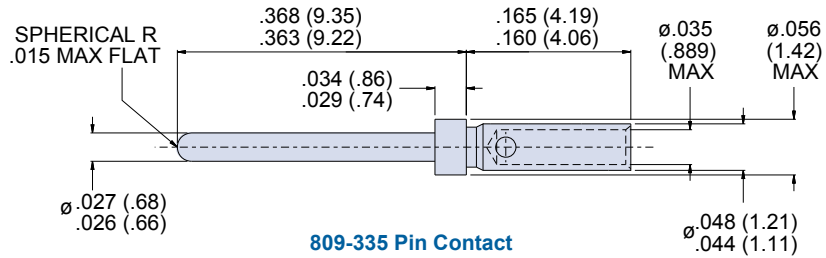


#23 Pin Contact

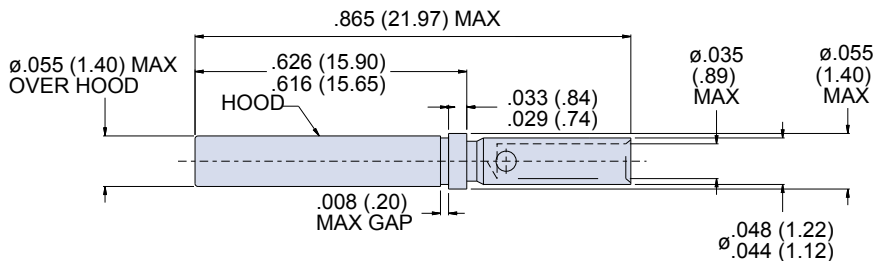


#23 Socket Contact

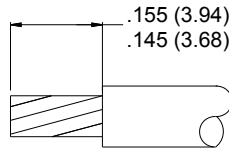
Select these longer Size #23 contacts when ordering combo arrangements with size #8 contacts. Combo arrangements with size #8 contacts require the use of longer pin and socket, size #23 contacts. These contacts accept #22 to #28 AWG wire. Terminate with standard M22520/2-01 crimper for use with pin positioner, part number 809-174 and socket positioner, part number 809-369. Use insertion/extraction tool, part number 809-088. Contacts are bulk packaged.



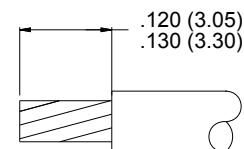
809-335 Pin Contact



857-034 Socket Contact



809-335
RECOMMENDED WIRE
STRIP LENGTH



857-034
RECOMMENDED WIRE
STRIP LENGTH

NOTES

Material

809-335 Pin:

- Beryllium copper per ASTM B196 or ASTM B197

857-034 Socket:

- Contact: Beryllium copper per ASTM B197.
- Hood: Stainless steel per QQ-S-763

Finish

809-335 Pin:

50 microinches minimum gold plating per ASTM B 488 over nickel underplate

857-034 Socket:

Contact - 50 microinches minimum gold plating per ASTM B 488 over nickel underplate

Hood - stainless steel per QQ-S-763

Specifications

- Current Rating: 5 Amps maximum
- Voltage Drop (at 5 Amps and 25° C): 70 millivolts maximum
- Temperature Range: -65° to +175° C
- Socket Contact Minimum Separation Force: 0.5 ounces

Crimp Tools and Insertion/Removal Tools

- Crimper: M22520/2-01
- Socket Positioner: 809-369
- Pin Positioner: 809-174
- Standard Insertion/Removal Tool: 809-088

Size #23 Removable Crimp Contacts					
Contact Type	Wire Size	Material	Part Number	Color Band	Tool Code
Pin	#22 - #28	BeCu	809-335	None	A, T
Socket	#22 - #28	BeCu	857-034	None	A, U

Crimp Tensile Strength (Values are in pounds)	
Wire Gage	Axial Load
#22	12
#24	8
#26	5
#28	3

Dimensions in Inches (millimeters) are subject to change without notice.

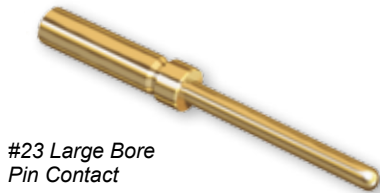
Series 80 Mighty Mouse Contacts and Tools

Size #23 Non-Removable Crimp Contacts



Size #23 crimp contacts for AWG #20 wire (Non-Removable)

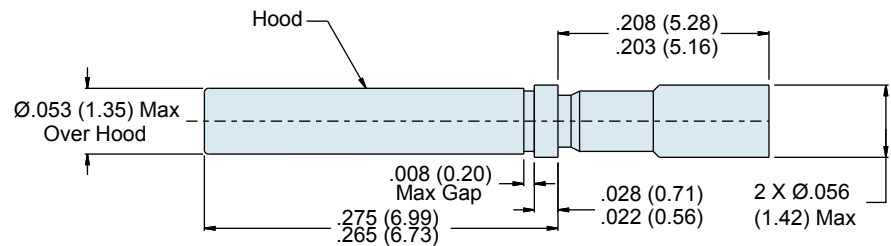
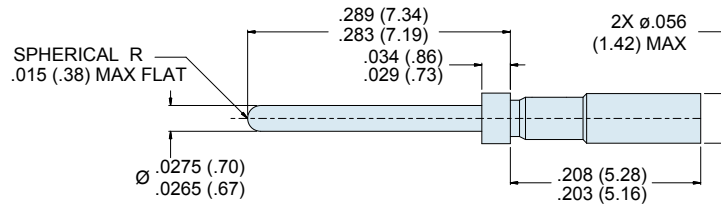
Standard size #23 contacts accept #22 to #28 AWG wire. Choose "large bore" versions for #20 to #22 AWG wire. Contacts are bulk packaged. Terminate with standard M22520 crimper with special positioner. **Note contacts are installed with standard size #23 insertion tools.**



#23 Large Bore
Pin Contact



#23 Small Bore
Socket Contact



NOTES

Material and Finish

- Contact: beryllium copper alloy per ASTM B 196 or ASTM B 197, 50 microinches gold plated per ASTM B488 Type II Code C Class 1.25 over nickel underplate
- Socket contact hood: stainless steel, passivated per AMS-QQ-P-35.

Specifications

- Current Rating: 5 Amps maximum
- Voltage Drop (at 5 Amps and 25° C): 70 millivolts maximum
- Temperature Range: -65° to + 175° C
- Socket Contact Minimum Separation Force: 0.5 ounces

Crimp Tools and Insertion/Removal Tools

- Crimper: M22520/2-01 Pin/Socket
- Positioner: 809-301 (large bore).

Size #23 Non-Removable Crimp Contacts					
Contact Type	Wire Size	Material	Part Number	Color Band	Tool Code
Pin	#23 - #20	BeCu	809-299	None	A, S
Socket	#23 - #20	BeCu	809-300	None	A, S

Crimp Tensile Strength (Values are in pounds and are minimums.)	
Wire Gage	Axial Load
#20	20
#22	12

Dimensions in Inches (millimeters) are subject to change without notice.



Series 80 Mighty Mouse Contacts and Tools

Size #23 Crimp Contact Instructions

How To Terminate, Install and Remove Size #23 Contacts

A

1 Set Up Crimp Tool. Install proper positioner into crimp tool. The label on the positioner shows the proper tool setting for each wire size. Turn the adjustment wheel to the correct setting.

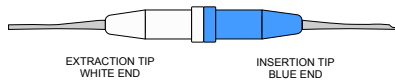
2 Strip Wire. Remove wire insulation, taking care to avoid nicking or cutting wire strands. Strip wire to length shown.

3 Insert wire into contact. The wire should be visible in the inspection hole.

4 Insert contact into crimp tool as shown. Make sure that the contact is fully inserted into the tool. Squeeze handle completely. The ratchet mechanism will not allow a partial crimp. Release handle and remove contact.

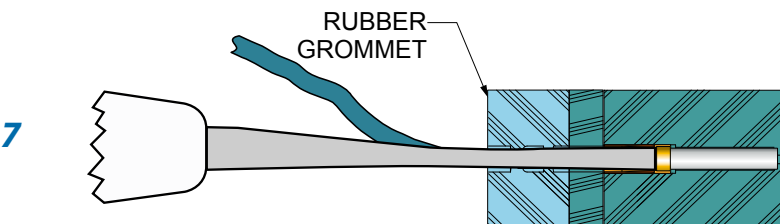
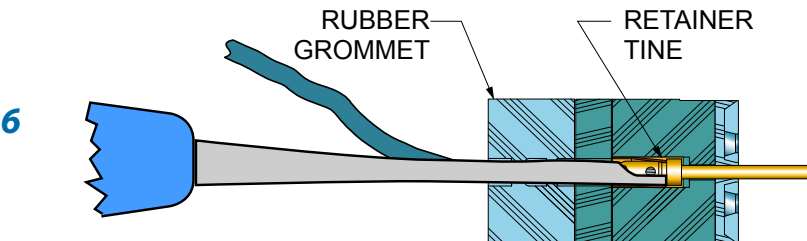
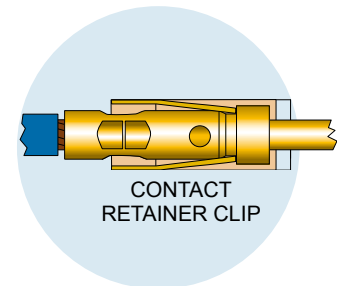
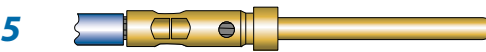
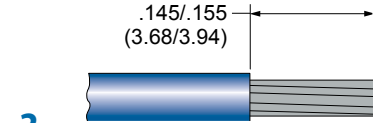
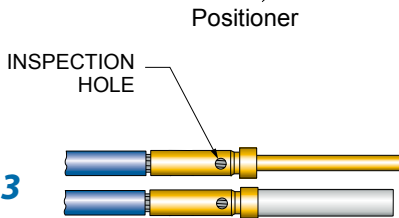
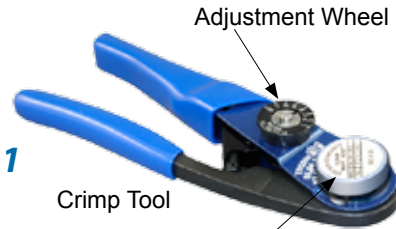
5 Inspect crimped contact. Wire should be fully inserted and the crimp should be uniform in appearance.

Insertion/Extraction Tool 809-088



6 Install contact into connector. Push the contact through the rear grommet until the contact locks into place. This can usually be done by hand without the need for a tool. If the wire gage is #26 or smaller, a tool is helpful. There are two techniques for installing contacts with a tool. One method is to push the contact in by hand, then use the tool to finish the insertion. The other method is to position the insertion tip against the contact shoulder, then insert the contact. Use insertion/extraction tool 809-088 to install contacts. Slide the wire into the groove on the blue end of the tool. Slide the tool tip up the contact until it touches the contact shoulder. **USE CARE TO AVOID DAMAGING THE CONNECTOR.**

7 Contact Extraction. Use tool 809-088. The white end is used for contact extraction. First, push the wire into the groove of the metal tip. Slide the tip of the tool into the connector. Push the tool into the connector cavity until the tip bottoms in the connector. Avoid wiggling or rocking the tip. This may damage the cavity. A straight push is best. Pinch the wire between your finger and the white plastic grip and slide the tool and contact out of the connector. **Wire insulation diameter greater than 0.045 inches (1.14mm) is too large to work properly with the extraction tool. connector damage is possible.**



Dimensions in Inches (millimeters) are subject to change without notice.

Series 80 Mighty Mouse Contacts and Tools Adapters, #20HD Contacts



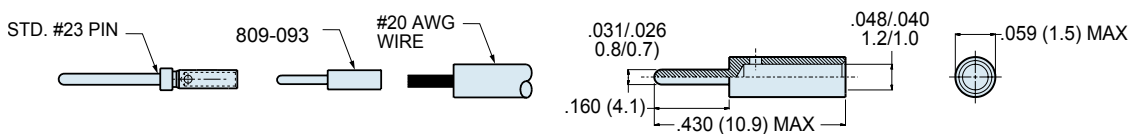
Adapter for crimping #20 awg wire to size #23 contacts



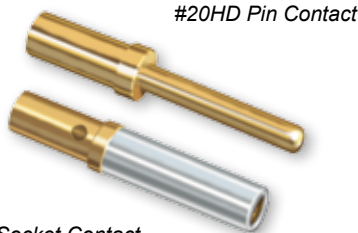
#20 AWG Wire Adapter

Size #22 AWG wire is the largest wire size that fits standard size 23 contacts. Use this adapter to attach larger #20 gage wire. First, crimp wire to adapter, then crimp the adapter into the size #23 contact. Adapters are made of tellurium copper alloy #1452, and are gold plated. Crimp with M22520/1-01 tool and 809-138 (Daniels TH653) positioner. These adapters cannot be removed from connectors.

Adapter Size	Wire Size	Part Number	Tool Code
#22-20	#20	809-093	J, L



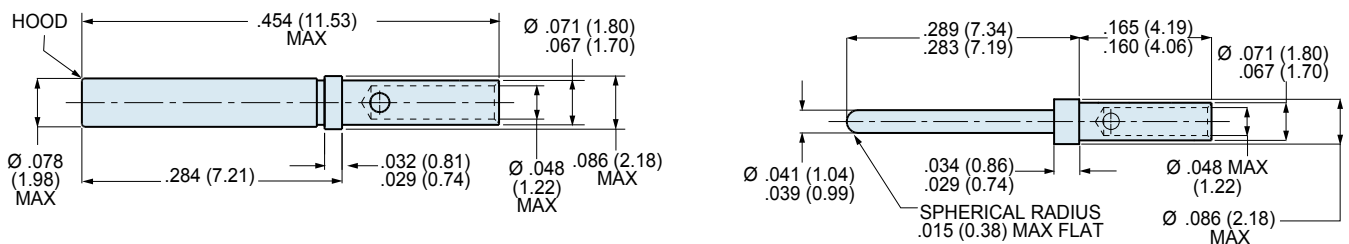
Size #20HD crimp contacts



#20HD Pin Contact

High-density size #20HD contacts accept #20 to #24 AWG wire. At rated test current of 7.5 amps, the maximum voltage drop is 55 millivolts. Contacts are gold-plated copper alloy. Socket contacts feature stainless steel hoods to protect against probe damage. Contacts are bulk packaged. Terminate with M22520/2-01 crimper and 809-206 positioner.

#20HD Socket Contact



NOTES

Material and Finish

- Beryllium copper alloy, 50 microinches gold plated per ASTM B488 Type II Code C Class 1.25 over nickel plate per QQ-N-290 Class 2, 50-100 microinches. Socket contact hood: stainless steel, passivated per AMS-QQ-P-35.

Specifications

- Current Rating: 7.5 Amps maximum
Temperature Range: -65° to + 175° C
Socket Contact Minimum Separation Force: 0.7 ounces

Crimp Tensile Strength		
Values are in pounds and are minimums.		
Wire Gage	Silver or Tin Coated Copper Wire	Nickel Coated Copper Wire
#20	20	19
#22	12	8
#24	8	6

Contact Type	Wire Size	Part Number	Tool Code
Pin	#20 - #24	809-204	A, I
Socket	#20 - #24	809-205	A, I

Dimensions in Inches (millimeters) are subject to change without notice.



Series 80 Mighty Mouse Contacts and Tools #20, #16, #12 Contacts

Size #20 Crimp Contacts

A

#20 Pin Contact

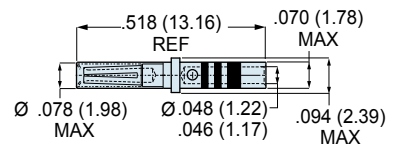
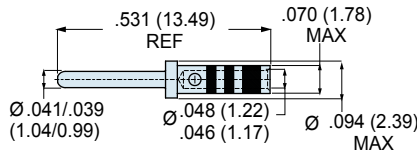


#20 Socket Contact



Standard size #20 contacts accept #20 to #24 AWG wire. At rated test current of 7.5 amps, the maximum voltage drop is 55 millivolts. Contacts are gold-plated copper alloy. Socket contacts feature stainless steel hoods to protect against probe damage. Approved to SAE-AMS-39029. Contacts are bulk packaged. Terminate with M22520/1-01 crimper and M22520/1-04 positioner.

Contact Type	Wire Size	Part Number	Military Part Number	Color Band			Tool Code
				1st	2nd	3rd	
Pin	#20 - #24	850-002-20-363	M39029/58-363	Orange	Blue	Orange	J, K
Socket	#20 - #24	850-003-20-357	M39029/57-357	Orange	Green	Violet	J, K



Size #16 Crimp Contacts

#16 Pin Contact

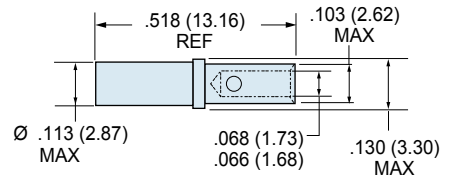
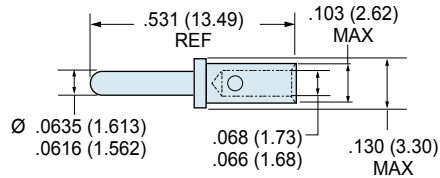


#16 Socket Contact



Standard size #16 contacts accept #16 to #20 AWG wire. At rated test current of 13 amps, the maximum voltage drop is 49 millivolts. Contacts are gold-plated copper alloy. Socket contacts feature stainless steel hoods to protect against probe damage. Approved to SAE-AMS-39029. Contacts are bulk packaged. Terminate with M22520/1-01 crimper and M22520/1-04 positioner.

Contact Type	Wire Size	Part Number	Military Part Number	Color Band			Tool Code
				1st	2nd	3rd	
Pin	#16 - #20	809-110	M39029/58-364	Orange	Blue	Yellow	J, K
Socket	#16 - #20	809-111	M39029/57-358	Orange	Green	Gray	J, K



Size #12 Crimp Contacts

#12 Pin Contact

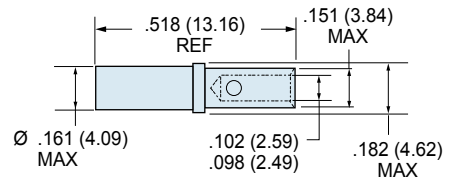
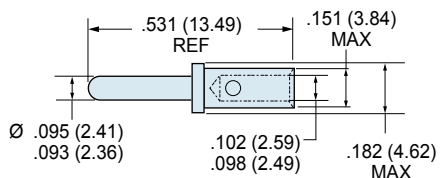


#12 Socket Contact



Standard size #12 contacts accept #12 to #14 AWG wire. At rated test current of 23 amps, the maximum voltage drop is 63 millivolts. Contacts are gold-plated copper alloy. Socket contacts feature stainless steel hoods to protect against probe damage. Approved to SAE AS39029. Contacts are bulk packaged. Terminate with M22520/1-01 crimper and M22520/1-04 positioner.

Contact Type	Wire Size	Part Number	Military Part Number	Color Band			Tool Code
				1st	2nd	3rd	
Pin	#12 - #14	809-112	M39029/58-365	Orange	Blue	Green	J, K
Socket	#12 - #14	809-113	M39029/57-359	Orange	Green	White	J, K



Dimensions in Inches (millimeters) are subject to change without notice.

Series 80 Mighty Mouse Contacts and Tools Coaxial Contacts



Size #16 coaxial contacts

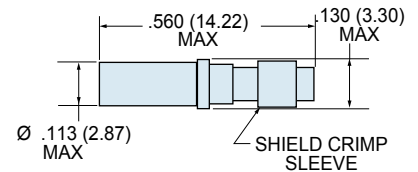
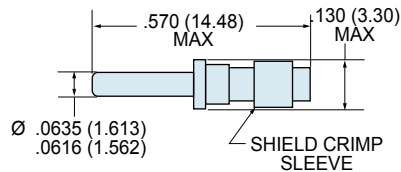


#16 Pin Contact

#16 Socket Contact

These #16 contacts accept 50 ohm and 75 ohm coaxial cable. Inner contact is rated at 1 amp, the outer contact 12 amps. DWV voltage rating is 800 Vac rms sea level, 250 Vac at 50,000 feet. Contacts are packaged individually and are unassembled with instruction sheet. One contact consists of outer contact, fluorocarbon dielectric, inner contact and shield crimp sleeve. Inner and outer contacts are gold-plated copper alloy. Approved to SAE AS39029. VSWR rating 1.5:1 maximum up to 700 MHz. 5000 megohm insulation resistance.

Type	Cable Size	Part Number	Military Part Number	Color Band			Tool Code
				1st	2nd	3rd	
Pin	RG174, RG316, RG179	809-114	M39029/76-424	Yellow	Red	Yellow	A, E, M, N
Pin	RG178	809-115	M39029/76-425	Yellow	Red	Green	A, E, M, N
Socket	RG174, RG316, RG179	809-116	M39029/78-432	Yellow	Orange	Red	A, E, M, N
Socket	RG178	809-117	M39029/78-433	Yellow	Orange	Orange	A, E, M, N



Size #12 coaxial contacts

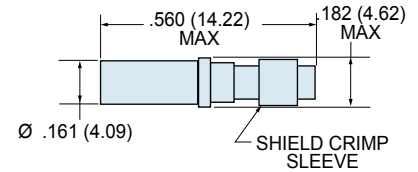
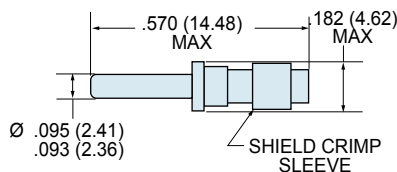


#12 Pin Contact

#12 Socket Contact

These #12 contacts accept 50 ohm and 75 ohm coaxial cable. Inner contact is rated at 1 amp, the outer contact 12 amps. DWV voltage rating is 1000 Vac rms sea level, 250 Vac at 50,000 feet. Contacts are packaged individually and shipped unassembled with instruction sheet. One contact consists of outer contact, fluorocarbon dielectric, inner contact and shield crimp sleeve. Inner and outer contacts are gold-plated copper alloy. Approved to SAE AS39029. VSWR rating 1.5:1 maximum up to 700 MHz. 5000 megohm insulation resistance.

Type	Cable Size	Part Number	Military Part Number	Color Band			Tool Code
				1st	2nd	3rd	
Pin	RG174, RG316, RG179	809-118	M39029/28-211	Red	Brown	Brown	A, G, O, P
Pin	RG180	809-119	M39029/28-409	Yellow	Black	White	A, G, O, P
Socket	RG174, RG316, RG179	809-120	M39029/27-210	Red	Brown	Black	A, G, O, P
Socket	RG180	809-121	M39029/27-402	Yellow	Black	Red	A, G, O, P



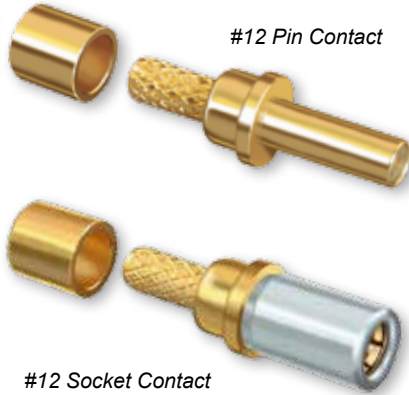
Dimensions in Inches (millimeters) are subject to change without notice.



Series 80 Mighty Mouse Contacts and Tools Matched Impedance Coaxial Contacts

Size #12, 50 ohm matched impedance coaxial contacts

A



These contacts offer improved frequency response compared to standard coaxial contacts above. VSWR is 1.32:1 at 3GHz. Nominal impedance is 50 ohms. Insertion loss at 3GHz is 0.20 dB maximum. Inner contact is rated at 1 amp, the outer contact 12 amps. DWV voltage rating is 1000 Vac rms sea level, 250 Vac at 50,000 feet. Contacts are packaged individually and shipped unassembled with instruction sheet. Inner and outer contacts are gold-plated copper alloy. 5000 megohm insulation resistance. Terminate crimp type coaxial center contact with hand tool 809-128 (Daniels MH992). Terminate cable braid to contact with 809-129 (Daniels HX4) parallel action crimp tool and 809-120 (Daniels Y196) hex die.

Contact Type	Cable Type	Part Number	Termination	Fig.	Tool Code
Pin	M17/113-RG316	852-016-01	Crimp	1	B, H, Q, R
Pin	M17/152-00001(RG316DS)	852-016-02	Crimp	1	B, H, Q, R
Pin	M17/93-RG178	852-016-03	Crimp	1	B, F, Q, R
Pin	TFLEX-405	852-018	Solder	2	(No Tool)
Socket	M17/113-RG316	852-015-01	Crimp	3	B, H, Q, R
Socket	M17/152-00001(RG316DS)	852-015-02	Crimp	3	B, H, Q, R
Socket	M17/93-RG178	852-015-03	Crimp	3	B, F, Q, R
Socket	TFLEX-405	852-017	Solder	4	(No Tool)

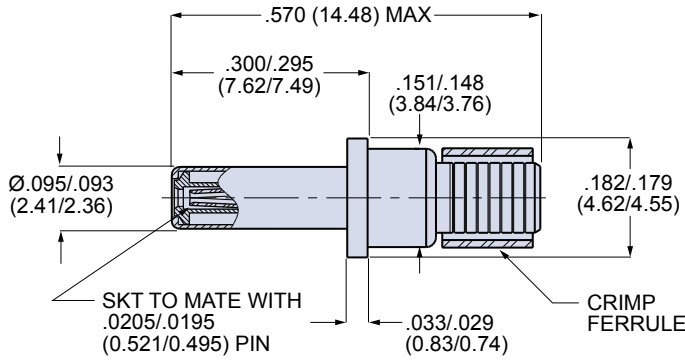


Figure 1

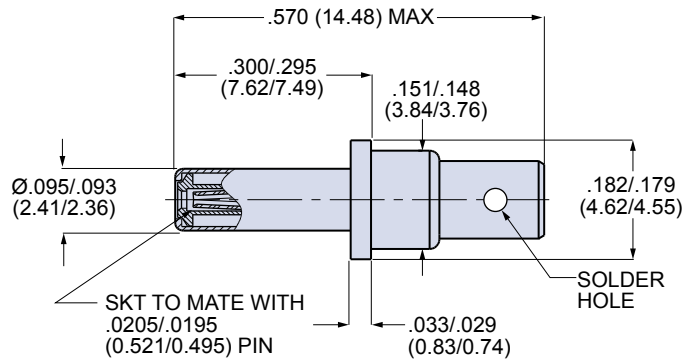


Figure 2

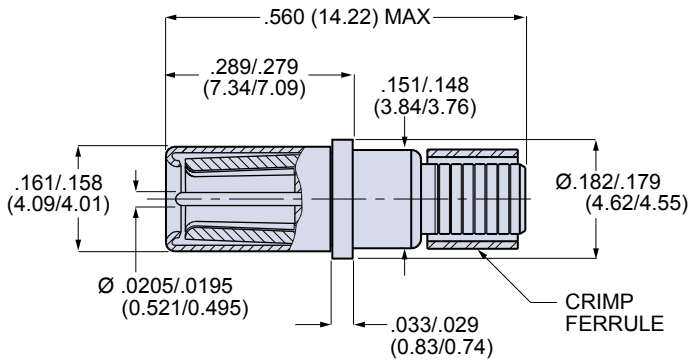


Figure 3

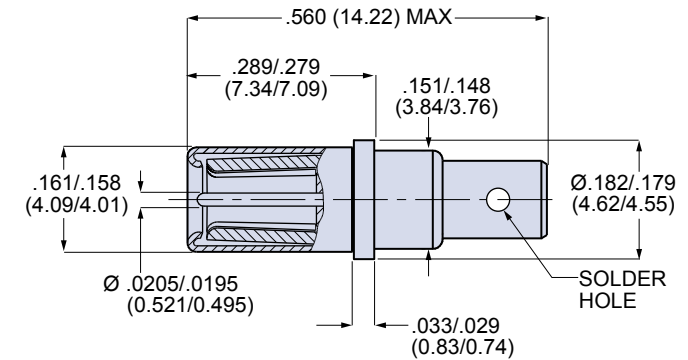


Figure 4

Dimensions in Inches (millimeters) are subject to change without notice.

Series 80 Mighty Mouse Contacts and Tools

Pneumatic Contacts and Grommet Sealing Plugs



Size #12 pneumatic contacts



Stainless steel pneumatic contacts attach to 3/32 inch (2.38) diameter tubing. Socket contact has o-ring and PTFE backup washers. Contacts snap into size #12 connector cavities. Ideal for pitot tube connections, these pneumatic contacts are rated for 100 PSI maximum air pressure. No installation tool is required. Remove contacts with plastic extraction tool 809-132.

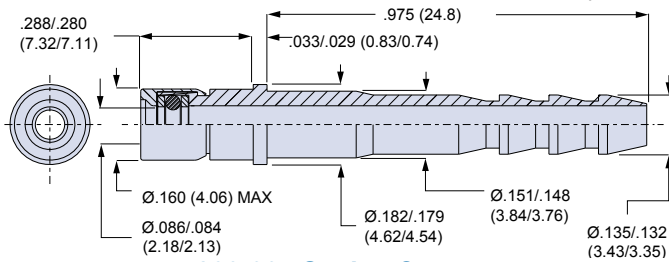
Contact Type	Tube I.D.	Part Number
Pin	.094 (2.38)	830-004*
Socket	.094 (2.38)	830-003*

*857-004 supercedes 857-011
*857-003 supercedes 857-010

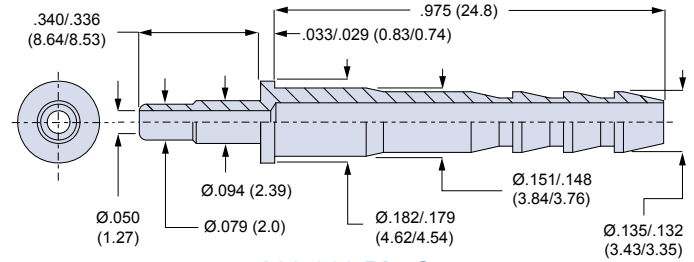
NOTES

Material and Finish

- Body and Cap: stainless steel, passivated
- O-ring: fluorosilicone
- Washers: PTFE

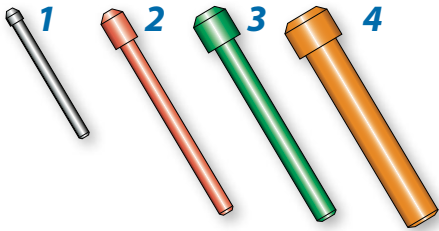


830-004 Socket Contact



830-003 Pin Contact

Grommet sealing plugs



Grommet sealing plugs are used to seal unwired contact cavities. The size #23 sealing plug is specially designed to fit Glenair Series 80 grommets. Sizes 20, 16 and 12 plugs conform to MS27488 requirements. After installing unwired contacts into unused cavities, insert knob end of sealing plug into grommet until it bottoms against the unwired contact per illustration. Install sealing plugs with standard contact insertion/extraction tools. Size #23 plug is polyphenylsulphone, other sizes are per MS27488 requirements.

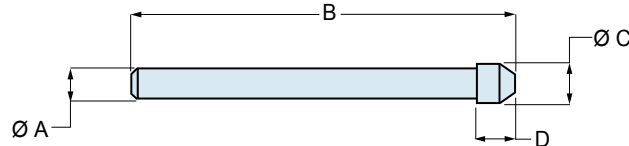
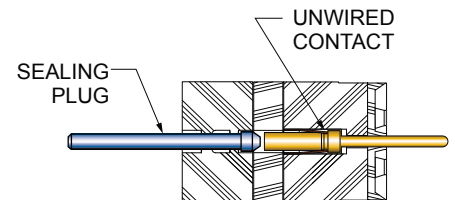


Fig.	Size	Color	Part Number	Military Part Number	Insertion/ Removal Tool	A Ref.		B Ref.		C Ref.		D Ref.	
						in.	mm.	in.	mm.	in.	mm.	in.	mm.
1	#23	Black	809-155	(None)	M81969/14-01	.040	1.02	.51	13.0	.052	1.32	.050	1.27
2	#20	Red	859-012	MS27488-20-2	M81969/14-11	.053	1.35	.82	20.8	.085	2.16	.125	3.18
3	#16	Green	859-013	MS27488-16-2	M81969/14-03	.074	1.88	.88	22.4	.125	3.18	.125	3.18
4	#12	Orange	859-014	MS27488-12-2	M81969/14-04	.120	3.05	.85	21.6	.165	4.19	.125	3.18



Installation of Sealing Plugs

"When installing sealing plug in connector cavities without contacts, the end opposite the knob shall be inserted first and the knob shall be seated against the grommet face. When installing into cavities with contacts, the sealing plugs shall be installed knob end first and shall bottom on the contact wire barrel!" (NAVAIR 01-1A-505-1 Installation manual)



Dimensions in Inches (millimeters) are subject to change without notice.



Series 80 Mighty Mouse Contacts and Tools Crimp Tools and Positioners

Miniature Adjustable Crimp Tools

A



These crimp tools perform precision eight indent crimps for gas-tight wire terminations and excellent tensile strength. Adjustment wheel has 8 settings. Ratchet mechanism prevents improper crimps. Use with bayonet-type positioners. Check calibration with M22520/3 gages. Length is 6.75 inches, weight is approx. 10 oz.

A Standard M22520/2-01 crimper. Use with standard size #23 and #20HD Mighty Mouse contacts and with M39029/76 and /78 coaxial center contacts. Requires positioner, ordered separately.

B Special MH992 crimper used with 50 ohm matched impedance coaxial inner contacts. Requires positioner, ordered separately.



Figure	Part Number	Military Part Number	Daniels Part Number	Tool Code
A	809-015	M22520/2-01	AFM8	A
B	809-128	(none)	MH992	B

Positioners for use with Miniature Adjustable Crimp Tools



These bayonet-type positioners hold contacts at correct height for crimping with M22520/2 type miniature step adjustable tools, above. Face plate shows correct tool settings.

C Positioner for standard size #23 contacts. #22-#28 AWG. Use with 809-015 crimp tool.

H Positioner for matched impedance #12 coaxial inner contact. Use with 809-128 crimp tool.

D Positioner for small bore size #23 contacts. #26-#30 AWG. Use with 809-015 crimp tool.

I Positioner for #20HD contacts. Use with 809-015 crimp tool.



E Positioner for M39029/76 and 78 coaxial inner contact. Use with 809-015 crimp tool.

S Positioner for large bore size #23 contacts. #20-#22 AWG. Use with M22520/2-01 crimp tool.

F Positioner for matched impedance #12 coaxial inner contact. Use with 809-128 crimp tool.

T Positioner for long size #23 pin contact for use with combo arrangements with size #8 contacts. Use with M22520/2-01 crimp tool.



G Positioner for M39029/27 and 28 #12 coaxial inner contact. Use with 809-015 crimp tool.

U Positioner for long size #23 socket contact for use with combo arrangements with size #8 contacts. Use with M22520/2-01 crimp tool.



Figure	Part Number	Military Part Number	Daniels Part Number	Tool Code
C	809-005	(none)	K1461	C
D	809-057	(none)	(none)	D
E	809-125	M22520/2-35	K532-1	E
F	809-124	(none)	K1360	F
G	809-135	M22520/2-34	K323	G
H	859-006	(none)	K1721	H
I	809-206	(none)	(none)	I
S	809-301	(none)	(none)	S
T	809-174	(none)	(none)	T
U	809-369	M22520/2-07	K40	U

Dimensions in Inches (millimeters) are subject to change without notice.

Series 80 Mighty Mouse
Contacts and Tools
Crimp Tools and Positioners for Coaxial Contacts



Crimp tool and positioner for #12, #16 and #20 power contacts, 809-093 adapters



J Crimp tool for use with size #20, #16 and #12 power pins. 9.75 inches OAL, 1.25 pounds. Use with M39029/57 and /58 contacts and 809-093 adapters.

K Positioner for use with size #20, #12 and #16 Power contacts.

L Positioner for use with 809-093 adapters.

Figure	Part Number	Military Part Number	Daniels Part Number	Tool Code
J	809-136	M22520/1-01	AF8	J
K	809-137	M22520/1-04	TH163	K
L	809-138	(none)	TH653	L

Crimp tool and positioner for #16 coaxial outer contact



For crimping size #16 shield sleeves. These mil spec approved tools feature a ratchet mechanism to prevent damage from overcrimping. Check calibration with M22520/3 gage.

M Crimp tool for use with size #16 coaxial contacts. Blue handles. 9.75 inches OAL, 1.25 pounds.

N Positioner for use with size #16 coaxial contacts. Use with 809-127 (M22520/4-01) crimp tool.

Figure	Part Number	Military Part Number	Daniels Part Number	Tool Code
M	809-127	M22520/4-01	GS100-1	M
N	809-126	M22520/4-02	GP295	N

Crimp tool and positioner for #12 coaxial outer contact



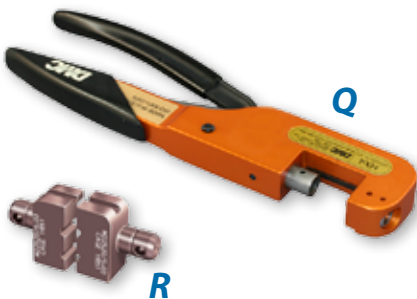
For crimping size #12 shield sleeves. These mil spec approved tools feature a ratchet mechanism to prevent damage from overcrimping. Check calibration with M22520/3 gage.

O Crimp tool for use with size #12 coaxial contacts. Black handles. 9.75 inches OAL, 1.25 pounds.

P Positioner for use with size #12 coaxial contacts. Use with 809-133 (M22520/31-01) crimp tool.

Figure	Part Number	Military Part Number	Daniels Part Number	Tool Code
O	809-133	M22520/31-01	GS200-1	O
P	809-134	M22520/31-02	G2P330	P

Parallel action crimp tool and hex die set for 50 ohm matched impedance #12 coax



Q Parallel action tool for use with hex crimp dies. 11 inches OAL, 2.0 pounds. Anodized aluminum frame, steel mechanism, plastic handles. Includes tool for die set removal. Accepts all M22520/5 die sets.

R Die set for terminating coaxial shield to outer contact. Use with size #12 matched impedance M39029/102 and 103 type coaxial contacts. Set consists of upper and lower halves. Made of hardened steel with black oxide finish. Die set has two closures.

Figure	Part Number	Military Part Number	Daniels Part Number	Tool Code
Q	809-129	M22520/5-01	HX4	Q
R	809-130	M22520/5-03	Y196	R

Dimensions in Inches (millimeters) are subject to change without notice.



Series 80 Mighty Mouse Contacts and Tools

Contact Insertion and Removal Tools and Contact Retention Tester

A

Contact insertion and removal tools

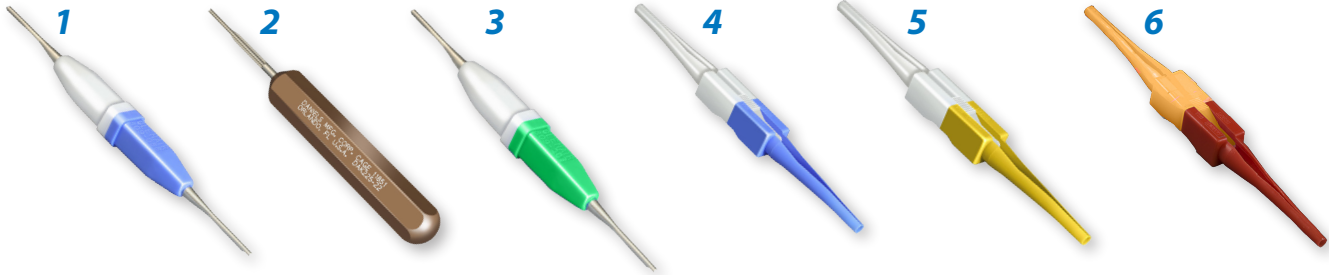


Figure	Size	Type	Part Number	Military Part Number	Daniels Part Number
1	#23	Insertion/Extraction	809-088	(None)	(None)
2	#23	Insertion Only	809-013	(None)	DAK225-22
3	#20HD	Insertion/Extraction	809-203 (Append D for Delrin tip)	(None)	(None)
4	#16	Insertion/Extraction	809-131	M81969/14-03	(None)
5	#12	Insertion/extraction	809-132	M81969/14-04	(None)
6	#20	Insertion/extraction	809-207	M81969/14-10	(None)

1 Insertion/Extraction Tool for #23 Contacts. Features molded plastic grips and sturdy stainless steel tips. Blue/White molded handle.

2 Insertion Tool for #23 Contacts. This tool features anodized aluminum handle and stainless steel insertion tip.

3 Insertion/Extraction Tool for #20HD Contacts. This tool features molded plastic grips and sturdy stainless steel or Delrin tips. Molded handle in Green/White for SS or Green/Blue for Delrin tips.

4 Insertion/Extraction Tool for #16 Contacts. Use with size #16 coaxial or power contacts. Economical molded plastic. White extraction tip, blue insertion tip.

5 Insertion/Extraction Tool for #12 Contacts. Use with size #12 coaxial or power contacts. Molded plastic. White extraction tip, yellow insertion tip.

6 Insertion/Extraction Tool for #20 Contacts. Molded plastic. Orange extraction tip, red insertion tip.

Contact retention testers for size #23, #20, #16, #12 contacts (Kit or Individual Parts)



Check for properly seated contacts with this spring-loaded tester. Apply the tool tip to the mating end of a contact. Push on the handle until the spring compresses to the recommended force. A visual indicator shows full compression. The contact is properly retained if it is not displaced.

Adjust handle to appropriate settings:

Contact	P/N	Setting
#23	809-107-1	3.2 pounds
#20 & 20HD	809-370-1	8 pounds
#16	809-371-1	13 pounds
#12	809-372-1	13 pounds

Contact Size	Handle	Pin Tip	Socket Tip	Complete Kit
#23	809-107-1 (HT250-2)	809-107-2 (68-023-01)	809-107-3 (67-023-01)	809-107-4
#20 & 20HD	809-370-1 (HT250-4)	890-370-2 (68-020-01)	809-370-3 (67-020-01)	809-370-4
#16	809-371-1 (HT250-4)	809-371-2 (68-016-01)	809-371-3 (67-016-01)	809-371-4
#12	809-372-1 (HT250-4)	809-372-2 (68-012-01)	809-372-3 (67-012-01)	809-372-4

Daniels part numbers provided in parenthesis

Dimensions in Inches (millimeters) are subject to change without notice.

Series 80 Mighty Mouse Contacts and Tools

Band-Master™ ATS Shield Termination Tool Bands and Instructions



Band-Master™ ATS shield termination system

Fast, cost-effective shield termination. Attach cable shields to Series 80 connectors or backshells with **Band-Master™** stainless steel straps. The **Band-Master™** system offers fast termination and the flexibility to handle a wide range of parts with just one band size. Approved for aerospace and defense, these straps have successfully passed rigorous shock, vibration and environmental testing.

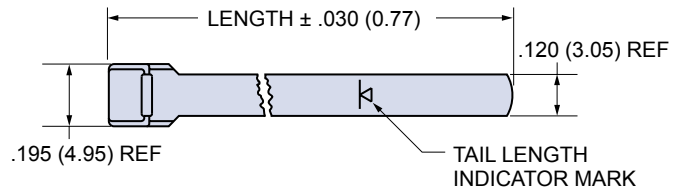


- 1** Micro Band Installation Tool. Use with .120" (3.05 mm) wide bands. 6.75 inches (172 mm.)
- 2** Micro Band, .120" (3.05 mm) wide. Available in two lengths, flat or pre-coiled. Stainless steel length, 1.2 pounds (0.6 Kg.)

Figure	Description	Part Number
1	Micro Band Installation Tool	600-061

Figure	Length		Part Number		Accommodates Diameter	
	in.	mm.	Flat	Pre-Coiled	in.	mm.
2	8.125	206.38	601-060	601-061	.88	22.35
2	14.250	361.95	601-064	601-065	1.88	47.75

Contact Glenair or visit our website (glenair.com) to view our complete line of **Band-Master ATS™** products, including pneumatic tools for high volume production and calibration kits.



Band-Master™ ATS shield termination instructions

- Prepare Cable Braid for termination process (Figure 1).
- Push Braid forward over Adapter Retention Lip to the Adapter Incline Point (or .4" [10.2mm] minimum braid length). Milk Braid as required to remove slack and insure a snug fit around the shield termination area (Figure 2).
- Prepare the Band in the following manner: **IMPORTANT:** Due to Connector/Adapter circumference, it may be necessary to prepare the Band around the Cable or Retention Area.
 - Roll Band through the Buckle Slot twice. (Bands must be double-coiled.)
 - Pull on Band until Mark (▷) is within approximately .250 inch (6.4mm) of Buckle Slot (Figure 3). The Band may be tightened further if desired.

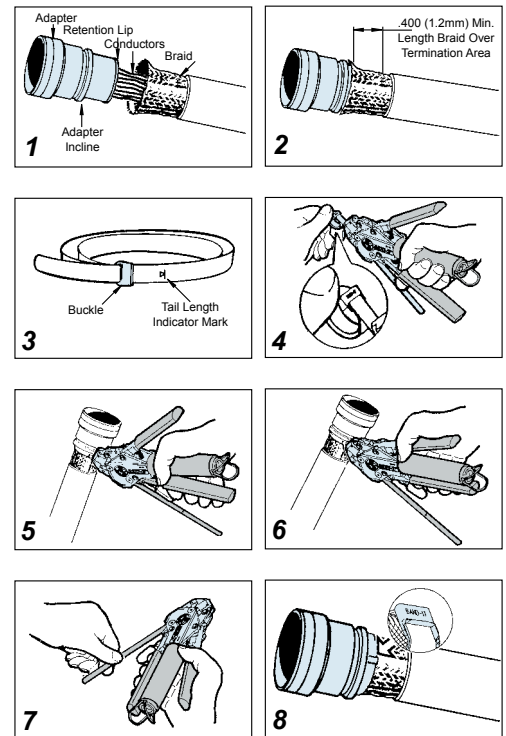
NOTE: Prepared Band should have (▷) Mark visible approximately where shown in Figure 3.

Shield Termination Clamping Process (Figures 4 thru 8)

NOTE: To free Tool Handles, move Holding Clips to center of Tool.

- Squeeze Gripper Release Lever and insert Band into the front end opening of the Tool. (NOTE: Circular portion of looped band must always face downward.)
- Aligning the Band and Tool with the Shield Termination Area, squeeze Black Pull-Up Handle repeatedly using short strokes until it locks against Tool Body. (This indicates the Band is compressed to the Tool Precalibrated Tension.)
- Complete the Clamping Process by squeezing the Gray Cut-Off Handle.
- Remove excess band from tool and dispose.
- Inspect Shield Termination.

NOTE: If alignment of band and shield is unsatisfactory, tension on band can be relaxed by pushing on slotted release lever on top of tool. Make adjustments as necessary and again squeeze black pull-up handle.



Dimensions in Inches (millimeters) are subject to change without notice.

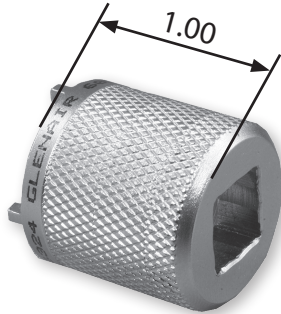


Series 80 Mighty Mouse Contacts and Tools

Jam Nut Tightening Tools, Connector Spanner and Holding Tools and Mighty Mouse Recommended Torque Values

A

Spanner tool for tightening Series 80 jam nuts



Use these tools to tighten Series 80 jam nuts. 1/4" or 3/8" square drive for use with torque wrenches. Heat-treated steel, nickel plated.

Spanner Tool Part Number						
Shell Size	Series 800	Series 801	Series 803	Series 804 Style 07	Series 804 Style 00	Series 805
5	600-146-01	600-146-02	600-137-05	600-146-03	600-147-5	—
6	600-146-02	600-146-03	600-137-06	600-146-04	600-147-6	—
7	600-146-03	600-146-05	600-137-07	600-146-06	600-147-7	—
8	600-146-04	600-146-05	600-137-09	600-146-06	600-147-7	600-154-08
9	600-146-05	600-146-06	600-137-09	600-146-07	600-147-9	600-154-09
10	600-146-06	600-146-07	600-137-10	600-146-08	600-147-10	600-154-09
11	—	600-146-08	—	—	—	600-154-11
12	600-146-08	—	600-137-12	600-146-10	600-147-12	600-154-12
13	—	600-146-10	—	—	—	600-154-13
14	600-146-10	—	600-137-14	600-146-12	600-147-14	—
15	600-146-11	—	600-137-15	600-146-13	600-147-15	600-154-15
16	—	600-146-13	—	—	—	—
17	—	600-146-14	—	—	—	—
18	—	—	—	—	—	600-154-18
19	—	—	—	—	—	600-154-19
21	—	600-146-17	—	—	—	600-154-21
23	—	—	—	—	—	600-154-23

Sample Part Number

600-146

Product Series and
Basic Part Number

-01

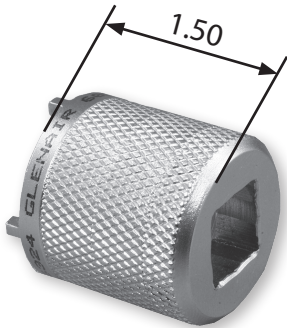
Dash Number

See Table I for torque values

To order as a kit replace dash number with "KIT" i.e.: substitute 600-146-01 with 600-146-KIT.

Kit consists of all connector family shell size tools

Spanner tool for tightening Series 80 extended length jam nut connectors with size #8 contacts



These Lengthened spanner tools are used to tighten jam nuts on extended-length connectors with size #8 contacts. 3/8" square drive. Nickel-plated heat-treated steel.

Size #8 Spanner Tool Part Number			
Part No.	Series 801 Series Shell Size	Series 805 Series Shell Size	Jam Nut Thread Size Ref
600-197-05	8	N/A	.562
600-197-07	N/A	10	.688
600-197-13	16	N/A	1.062
600-197-14	17	N/A	1.125
600-197-15	N/A	18	1.188
600-197-16	19	19	1.250
600-197-17	21	21	1.375
600-197-18	N/A	23	1.500

Sample Part Number

600-197

Product Series and
Basic Part
Number

-05

Dash
Number

See Table I for torque values

To order as a kit replace dash number with "KIT" i.e.: substitute 600-197-05 with 600-197-KIT

Kit consists of all connector family shell size tools

Dimensions in Inches (millimeters) are subject to change without notice.

Series 80 Mighty Mouse Contacts and Tools

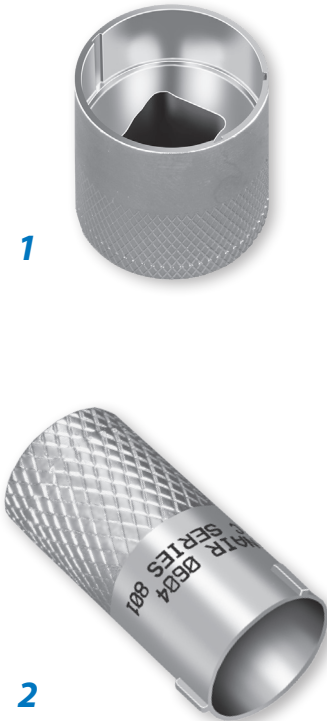
Jam Nut Tightening Tools, Connector Spanner and Holding Tools and Mighty Mouse Recommended Torque Values



Connector holding tool for tightening backshells and accessories

1 Plug tool for holding Series 80 plug connectors. Heat-treated steel, nickel plated.

2 Receptacle tool for holding Series 80 receptacle connectors. Heat-treated steel, nickel plated.



Holding Tool Part Number (Add P or R)									
Shell Size	Series 800	Series 801	Series 802	Series 803	Series 804	Series 805			
5	600M005-05 ★	600MM005-05 ◆	600-172-5 †	600-140-5 ★	600-141-5 ■	—			
6	600M005-06 ★	600MM005-06 ◆	600-172-6 †	600-140-6 ★	600-141-6 ■	—			
7	600M005-07 ★	600MM005-07 ◆	600-172-7 †	600-140-7 ★	600-141-7 ■	—			
8	600M005-08 ★	600MM005-08 ◆	600-172-8 †	600-140-8 ★	600-141-8 ■	600-185-8 ○			
9	600M005-09 ★	600MM005-09 ◆	600-172-9 †	600-140-9 ★	600-141-9 ■	600-185-9 ○			
10	600M005-10 ★	600MM005-10 ◆	600-172-10 †	600-140-10 ★	600-141-10 ■	600-185-10 ○			
11	—	600MM005-11 ◆	—	—	600-141-11 ■	600-185-11 ○			
12	600M005-12 ★	—	600-172-12 †	600-140-12 ★	600-141-12 ■	600-185-12 ○			
13	—	600MM005-13 ◆	—	—	—	600-185-13 ○			
14	—	—	600-172-14 †	600-140-14 ★	600-141-14 ■	—			
15	—	—	600-172-15 †	600-140-15 ★	600-141-15 ■	600-185-15 ○			
16	—	600MM005-16 ◆	—	—	—	—			
17	—	600MM005-17 ◆	—	—	—	—			
18	—	—	—	—	—	600-185-18 ○			
19	—	—	—	—	—	600-185-19 ○			
21	—	600MM005-21 ◆	600-172-21 †	—	—	600-185-21 ○			
23	—	—	—	—	—	600-185-23 ○			

- ★ Add **P** for plug holder or **R** for receptacle holder, followed by polarizing position (**N, X, Y, Z**).
- ◆ Add **P** for plug holder or **R** for receptacle holder, followed by polarizing position (**A, B, C, D**).
- † Add **P** for plug holder or **R** for receptacle holder, followed by polarizing position (**A, B, C, D, U**=universal).
- Add **P** for plug holder or **R** for receptacle holder, followed by polarizing position (**A, B, C, D, E, F**). Omit for single master key).
- Add **P** for plug holder or **R** for receptacle holder, followed by polarizing position (**A, B, C, D, E, F**). Omit polarization for receptacle tools.

The following tabulations show the changes to the Glenair recommended torque values for connector coupling torque and backshell tightening torque. The jam nut tightening torque values will remain the same.

Series 800 Recommended Torque Values						
Series 800	Coupling Torque		Jam Nut Tightening		Backshell Tightening	
	In-lbs.		In-lbs.		In-lbs.	
	Min.	Max.	Min.	Max.	Min.	Max.
5	16	20	20	25	12	16
6	18	22	20	25	14	18
7	20	24	20	25	16	20
8	20	24	20	25	16	20
9	20	24	25	30	16	20
10	20	24	25	30	16	20
12	20	24	25	30	16	20

Series 801, 802, 803, 804, 805 Recommended Torque Values							
Shell Size Series 801, 802, 803, 804	Shell Size Series 805	Coupling Torque		Jam-Nut Tightening		Backshell Tightening	
		In-lbs.		In-lbs.		In-lbs.	
		Min.	Max.	Min.	Max.	Min.	Max.
5	-	16	20	20	25	12	16
6	8	18	22	20	25	14	18
7	9	20	24	20	25	16	20
8	10	22	26	20	25	18	22
9	11	24	28	20	25	20	24
10	12	26	30	25	30	22	26
12, 13	15	32	36	25	30	28	32
14, 16	18	38	42	25	30	28	32
15, 17	19	40	44	25	30	28	32
21	23	48	52	25	30	28	32

Dimensions in Inches (millimeters) are subject to change without notice.

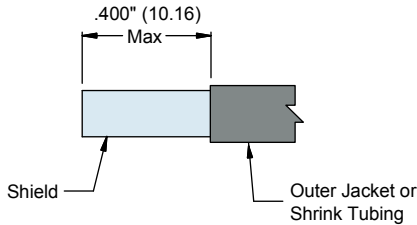


Recommended Shielded Twisted Pair Termination to High Speed Mighty Mouse

A

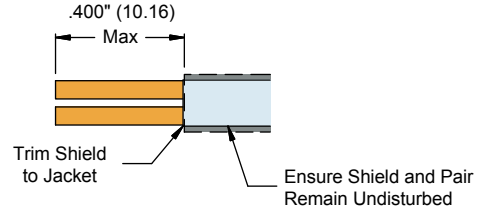
Step 1

Strip jacket back .400" Max. If pair is unjacketed, install shrink tubing .400" Max from end of wires.



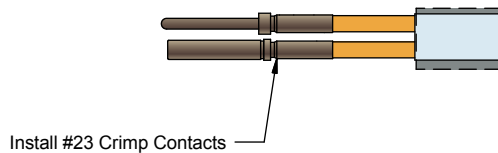
Step 2

Trim shield back to jacket. Ensure that wires do not become separated underneath jacket.



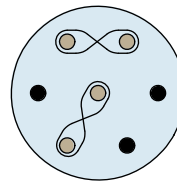
Step 3

Install #23 crimp contacts included with connector per recommended installation procedure.

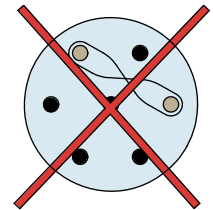


Step 4

Insert contacts into adjacent cavities of high-speed mighty mouse connector with rear grommet removed (MOD-422B).



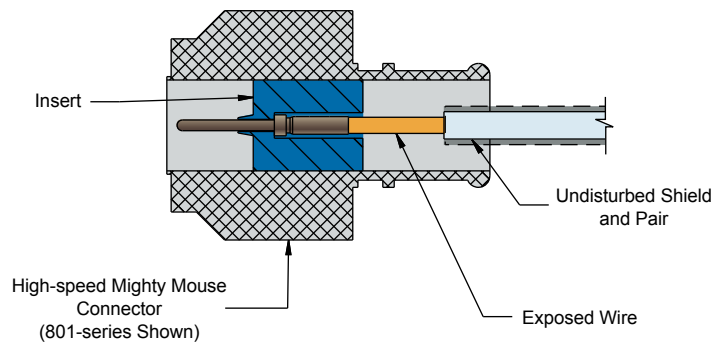
Install Pair Into Adjacent Cavities



Avoid Installing Pair Into Non-adjacent Cavities

Step 5

Assembled view



Dimensions in Inches (millimeters) are subject to change without notice.

SERIES 80

MIGHTY MOUSE

**MIGHTY
MOUSE**

Everything you always wanted in a high-performance ultraminiature, reduced weight connector



Non-Magnetic RF



Shielded/Ground Plane



Ruggedized USB



Fiber Optic



Submersible



EMI/RFI Filter

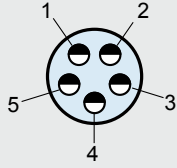
Glenair

Glenair, Inc.
1211 Air Way
Glendale, CA
91201-2497
818-247-6000
sales@glenair.com
www.glenair.com

Series 80 Mighty Mouse Technical Reference Contact Arrangements Table of Contents and Reference Material



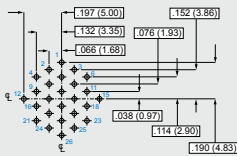
PRODUCT SELECTION GUIDE



Series 80 Contact Arrangements

Single contact size arrangements begin on B-3
Combo contact size arrangements begin on B-6

Page B-2



Series 80 Straight PCB Footprints

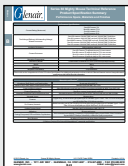
Single contact size arrangements begin on B-9
Combo contact size arrangements begin on B-29

Page B-8



Series 80 Recommended Torque Values

Page B-39



Series 80 Product Specifications

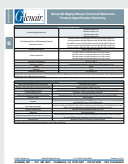
Performance specs, materials and finishes

Page B-40



Series 80 Space Grade Application Guidelines

Page B-47



Series 80 Space Modification Codes and Material/Finish Codes

Page B-51

Dimensions in Inches (millimeters) are subject to change without notice.



Series 80 Mighty Mouse Contact Arrangement Summary

B

Series 80 Mighty Mouse Contact Arrangements

Contact Size		Contact Quantity						Contact Arrangement*						
		#23	#20	#20HD	#16	#12	#8	Series 800	Series 801	Series 802	Series 803	Series 804	Series 805	
Size #23 Contacts 5 Amp Max. Current #22-#28 AWG 750 VAC DWV		3						5-3	5-3	5-3	5-3	5-3	N/A	
		4							6-4	6-4	6-4	6-4	6-4	8-4
		6							6-6	6-6	6-6	6-6	6-6	8-6
		7							6-7	6-7	6-7	6-7	6-7	8-7
		10							7-10	7-10	7-10	7-10	7-10	9-10
		13							8-13	8-13	8-13	8-13	8-13	10-13
		19							9-19	9-19	9-19	9-19	9-19	11-19
		26							10-26	10-26	10-26	10-26	10-26	12-26
		31							N/A	11-31	N/A	11-31	11-31	13-31
		37							12-37	13-37	12-37	12-37	12-37	15-37
		55							N/A	16-55	14-55	14-55	14-55	18-55
		85							N/A	17-85	15-85	N/A	N/A	19-85
		100							N/A	19-100	19-100	N/A	N/A	21-100
130							N/A	21-130	21-130	N/A	N/A	23-130		
Size #20HD Contacts 7.5 Amp Max. Current #20-#24 AWG 1000 VAC DWV				3				6-23	6-23	6-23	6-23	6-23	8-23	
				5					7-25	7-25	7-25	7-25	7-25	9-25
				8					8-28	8-28	8-28	8-28	8-28	10-28
				10					9-210	9-210	9-210	9-210	9-210	11-210
				20					12-220	13-220	12-220	12-220	12-220	15-220
				35					N/A	16-235	14-235	14-235	14-235	18-235
				41					N/A	17-241	15-241	N/A	N/A	19-241
				55					N/A	19-255	19-255	N/A	N/A	21-255
Size #16 Contacts 13 Amp Max. Current #16-#20 AWG 1800 VAC DWV						1		6-1	6-1	6-1	6-1	6-1	8-1	
						2			8-2	8-2	8-2	8-2	8-2	10-2
						4			9-4	9-4	9-4	9-4	9-4	11-4
						5			10-5	10-5	10-5	10-5	10-5	12-5
						7			12-7	13-7	12-7	12-7	12-7	15-7
						12			N/A	16-12	14-12	14-12	14-12	18-12
						14			N/A	17-14	15-14	N/A	N/A	19-14
						19			N/A	19-19	19-19	N/A	N/A	21-19
Size #12 Contacts 23 Amp Max. Current #12-#14 AWG 1800 VAC DWV						2		N/A	21-22	21-22	N/A	N/A	23-22	
						1			7-1	7-1	7-1	7-1	7-1	9-1
						2			10-2	10-2	10-2	10-2	10-2	12-2
						2			12-2	13-2	12-2	12-2	12-2	15-2
						3			12-3	13-3	12-3	12-3	12-3	15-3
						4			N/A	16-4	14-4	14-4	14-4	18-4
						5			N/A	16-5	14-5	14-5	14-5	18-5
						7			N/A	17-7	15-7	N/A	N/A	19-7
Size #8 Contacts 46 Amp Max. Current #8 AWG 1800 VAC DWV						12		N/A	21-12	21-12	N/A	N/A	23-12	
						1			N/A	8-1	8-1	N/A	8-1	10-1
						2			N/A	16-2	14-2	N/A	14-2	18-2
						3			N/A	17-3	15-3	N/A	N/A	19-3
						4			N/A	19-4	19-4	N/A	N/A	21-4
						5			N/A	21-5	21-5	N/A	N/A	23-5
						10-200				10-200	10-200	10-200	10-200	12-200
						10-201				10-201	10-201	10-201	10-201	12-201
Combo Arrangements	Featuring #23 Contacts 5 Amp Max. Current #22 - #28 AWG 750 VAC DWV	12				1		10-200	10-200	10-200	10-200	10-200	12-200	
		4				2			10-201	10-201	10-201	10-201	10-201	12-201
		6				2			12-200	13-200	12-200	12-200	12-200	15-200
		10				2			12-201	13-201	12-201	12-201	12-201	15-201
		4				2			9-200	9-200	9-200	9-200	9-200	11-200
		8				2			10-202	10-202	10-202	10-202	10-202	12-202
		4	2						8-200	8-200	8-200	8-200	8-200	10-200
		8	2						9-201	9-201	9-201	9-201	9-201	11-201
		20				2			12-202	13-202	12-202	12-202	12-202	15-202
		12				4			12-203	13-203	12-203	12-203	12-203	15-203
		40				2			N/A	16-204	14-204	14-204	14-204	18-204
		32				4			N/A	16-205	14-205	14-205	14-205	18-205
		40				4			N/A	17-203	15-203	N/A	N/A	19-203
		58				4			N/A	17-206	15-206	N/A	N/A	19-206
	12				2			12-204	13-204	12-204	12-204	12-204	15-204	
	4				4			12-205	13-205	12-205	12-205	12-205	15-205	
	34				2			N/A	16-206	14-206	14-206	14-206	18-206	
	20				4			N/A	16-207	14-207	14-207	14-207	18-207	
	28				4			N/A	17-204	15-204	N/A	N/A	19-204	
	18					1		N/A	11-201	11-201	N/A	N/A	13-201	
	32					1		N/A	16-208	14-208	N/A	14-208	18-208	
	40					1		N/A	17-205	15-205	N/A	N/A	19-205	
	44					2		N/A	19-201	19-201	N/A	N/A	21-201	
	12					4		N/A	19-202	19-202	N/A	N/A	21-202	
	28					4		N/A	21-200	21-200	N/A	N/A	23-200	

Series 80 Mighty Mouse Technical Reference

Standard Contact Arrangements

Mating Face View of Pin Connector (socket layout reversed)



Contact Legend
 #23 ○ #16 ●
 #20HD ⊕ #12 ⊕
 #20 ● #8 ●



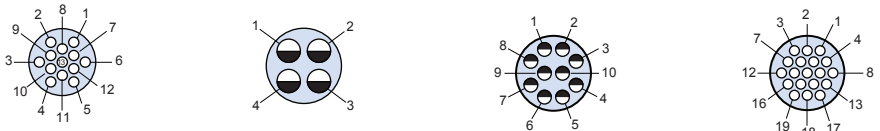
Series 800, 801, 802, 803, 804	5-3	6-1	6-23	6-4	6-6	6-7
Series 805	N/A	8-1	8-23	8-4	8-6	8-7
No. of Contacts	3	1	3	4	6	7
Contact Size	#23	#16	#20HD	#23	#23	#23
DWV Voltage (VAC)	750	1800	1000	750	750	750
Current Rating (Amps)	5	13	7.5	5	5	5

Contact Legend
 #23 ○ #16 ●
 #20HD ⊕ #12 ⊕
 #20 ● #8 ●



Series 800, 802, 803, 804	7-1	7-25	7-10	N/A	8-2	8-28
Series 801	7-1	7-25	7-10	8-1	8-2	8-28
Series 805	9-1	9-25	9-10	10-1	10-2	10-28
No. of Contacts	1	5	10	1	2	8
Contact Size	#12	#20HD	#23	#8	#16	#20HD
DWV Voltage (VAC)	1800	1000	750	1800	1800	1000
Current Rating (Amps)	23	7.5	5	46	13	7.5

Contact Legend
 #23 ○ #16 ●
 #20HD ⊕ #12 ⊕
 #20 ● #8 ●



Series 800, 801, 802, 803, 804	8-13	9-4	9-210	9-19
Series 805	10-13	11-4	11-210	11-19
No. of Contacts	13	4	10	19
Contact Size	#23	#16	#20HD	#23
DWV Voltage (VAC)	750	1800	1000	750
Current Rating (Amps)	5	13	7.5	5

Contact Legend
 #23 ○ #16 ●
 #20HD ⊕ #12 ⊕
 #20 ● #8 ●



Series 800, 801, 802, 803, 804	10-2	10-5	10-26	11-31
Series 805	12-2	12-5	12-26	13-31
No. of Contacts	2	5	26	31
Contact Size	#12	#16	#23	#23
DWV Voltage (VAC)	1800	1800	750	750
Current Rating (Amps)	23	13	5	5



Series 80 Mighty Mouse Technical Reference

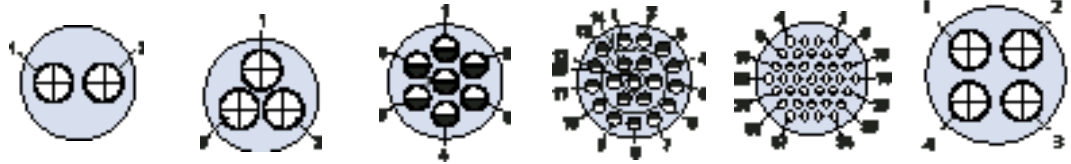
Standard Contact Arrangements

Mating Face View of Pin Connector (socket layout reversed)

B

Contact Legend

- #23 ○ #16 ●
- #20HD ○ #12 ⊕
- #20 ● #8 ●

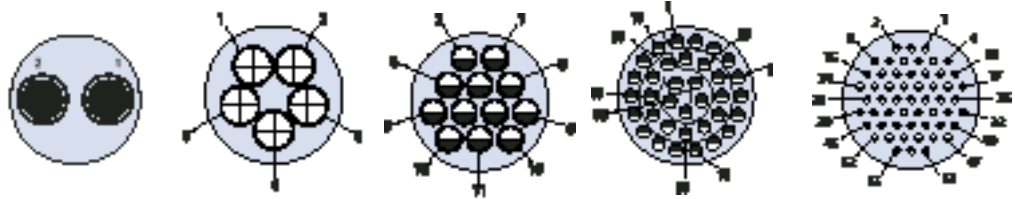


Series 800, 802, 803, 804	12-2	12-3	12-7	12-220	12-37	14-4*
Series 801	13-2	13-3	13-7	13-220	13-37	16-4
Series 805	15-2	15-3	15-7	15-220	15-37	18-4
No. of Contacts	2	3	7	20	37	4
Contact Size	#12	#12	#16	#20HD	#23	#12
DWV Voltage (VAC)	1800	1800	1800	1000	750	1800
Current Rating (Amps)	23	23	13	7.5	5	23

*Not available for series 800

Contact Legend

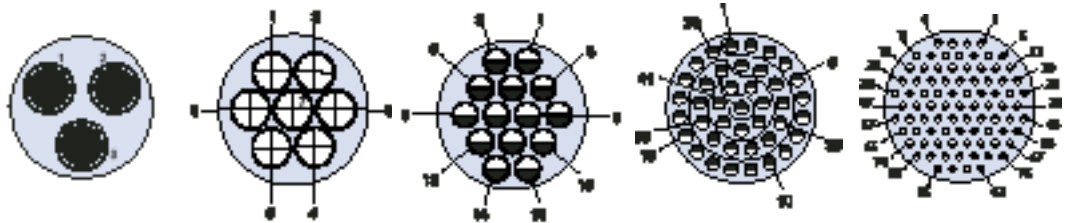
- #23 ○ #16 ●
- #20HD ○ #12 ⊕
- #20 ● #8 ●



Series 802, 803, 804	N/A	14-5	14-12	14-235	14-55
Series 801	16-2	16-5	16-12	16-235	16-55
Series 805	18-2	18-5	18-12	18-235	18-55
No. of Contacts	2	5	12	35	55
Contact Size	#8	#12	#16	#20HD	#23
DWV Voltage (VAC)	1800	1800	1800	1000	750
Current Rating (Amps)	46	23	13	7.5	5

Contact Legend

- #23 ○ #16 ●
- #20HD ○ #12 ⊕
- #20 ● #8 ●



Series 802	N/A	15-7	15-14	15-241	15-85
Series 801	17-3	17-7	17-14	17-241	17-85
Series 805	19-3	19-7	19-14	19-241	19-85
No. of Contacts	3	7	14	41	85
Contact Size	#8	#12	#16	#20HD	#23
DWV Voltage (VAC)	1800	1800	1800	1000	750
Current Rating (Amps)	46	23	13	7.5	5

Series 80 Mighty Mouse Technical Reference

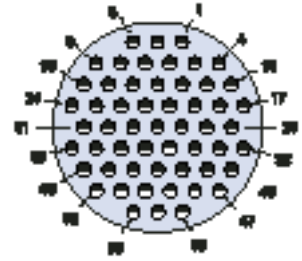
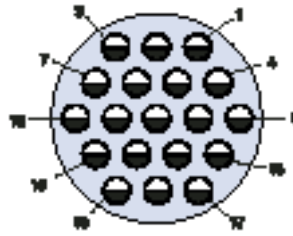
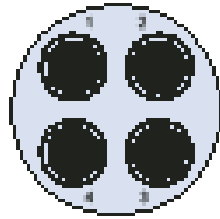
Standard Contact Arrangements

Mating Face View of Pin Connector (socket layout reversed)



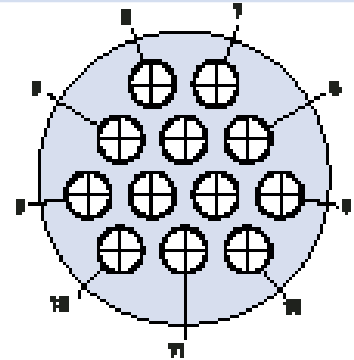
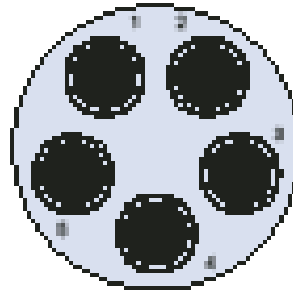
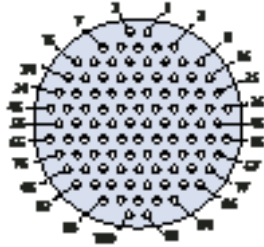
B

Contact Legend
 #23 ○ #16 ●
 #20HD ⊙ #12 ⊕
 #20 ● #8 ⊙



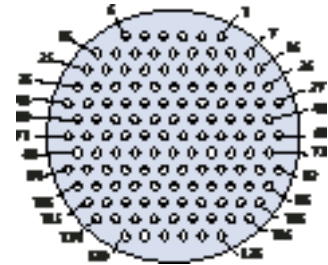
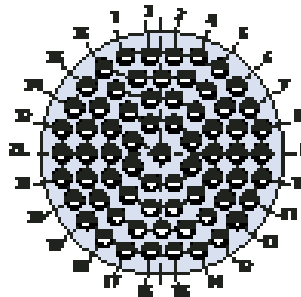
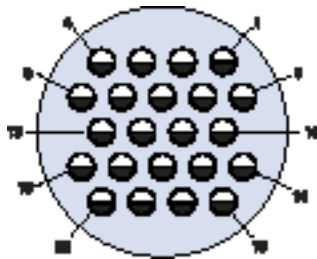
Series 801, 802	19-4 ¹	19-19 ¹	19-255 ¹
Series 805	21-4	21-19	21-255
No. of Contacts	4	19	55
Contact Size	#8	#16	#20HD
DWV Voltage (VAC)	1800	1800	1000
Current Rating (Amps)	46	13	7.5

Contact Legend
 #23 ○ #16 ●
 #20HD ⊙ #12 ⊕
 #20 ● #8 ⊙



Series 801, 802	19-100 ¹	21-5 ¹	21-12
Series 805	21-100	23-5	23-12
No. of Contacts	100	5	12
Contact Size	#23	#8	#12
DWV Voltage (VAC)	750	1800	1800
Current Rating (Amps)	5	46	23

Contact Legend
 #23 ○ #16 ●
 #20HD ⊙ #12 ⊕
 #20 ● #8 ⊙



Series 801, 802	21-22	21-269	21-130
Series 805	23-22	23-269	23-130
No. of Contacts	22	69	130
Contact Size	#16	#20HD	#23
DWV Voltage (VAC)	1800	1000	750
Current Rating (Amps)	13	7.5	5

1. Not available for Series 802



Series 80 Mighty Mouse Technical Reference

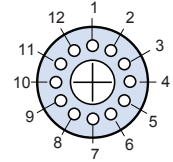
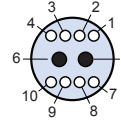
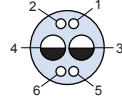
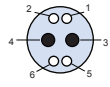
Combo Contact Arrangements

Mating Face View of Pin Connector (socket layout reversed)

B

Contact Legend

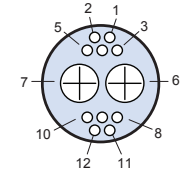
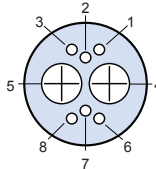
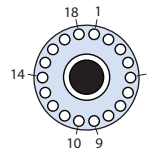
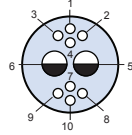
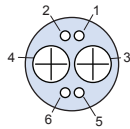
- #23 ○ #16 ●
- #20HD ⊕ #12 ⊕
- #20 ● #8 ●



Series 800, 801, 802, 803, 804	8-200		9-200		9-201		10-200	
Series 805	10-200		11-200		11-201		12-200	
No. of Contacts	2	4	2	4	2	8	1	12
Contact Size	#20	#23	#16	#23	#20	#23	#12	#23
DWV Voltage (VAC)	1000	750	1800	750	1000	750	1800	750
Current Rating (Amps)	7	5	13	5	7.5	5	23	5

Contact Legend

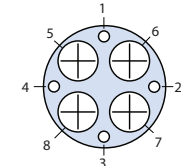
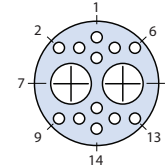
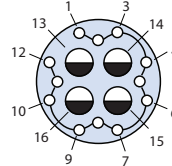
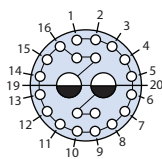
- #23 ○ #16 ●
- #20HD ⊕ #12 ⊕
- #20 ● #8 ●



Series 800, 802, 803, 804	10-201		10-202		11-201		12-200		12-201	
Series 801	10-201		10-202		11-201		13-200		13-201	
Series 805	12-201		12-202		13-201		15-200		15-201	
No. of Contacts	2	4	2	8	1	18	2	6	2	10
Contact Size	#12	#23	#16	#23	8	23	#12	#23	#12	#23
DWV Voltage (VAC)	1800	750	1800	750	1800	1300	1800	750	1800	750
Current Rating (Amps)	23	5	13	5	45	5	23	5	23	5

Contact Legend

- #23 ○ #16 ●
- #20HD ⊕ #12 ⊕
- #20 ● #8 ●



Series 800, 802, 803, 804	12-202		12-203		12-204		12-205	
Series 801	13-202		13-203		13-204		13-205	
Series 805	15-202		15-203		15-204		15-205	
No. of Contacts	2	20	4	12	2	12	4	4
Contact Size	#16	#23	#16	#23	#12	#23	#12	#23
DWV Voltage (VAC)	1800	1300	1800	1300	1800	1300	1800	1300
Current Rating (Amps)	13	5	13	5	23	5	23	5

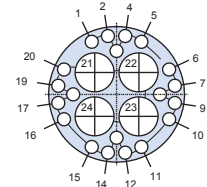
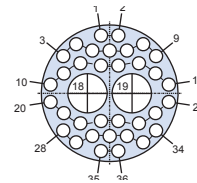
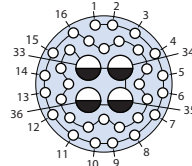
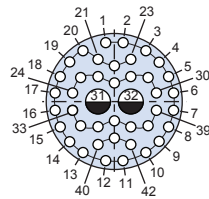
Series 80 Mighty Mouse Technical Reference

Combo Contact Arrangements

Mating Face View of Pin Connector (socket layout reversed)

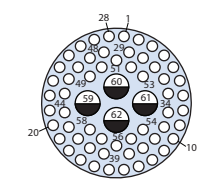
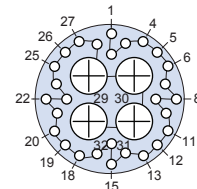
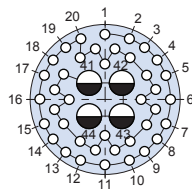
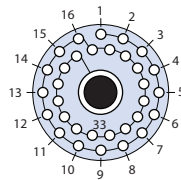


Contact Legend
 #23 ○ #16 ⊖
 #20HD ⊙ #12 ⊕
 #20 ● #8 ⊗



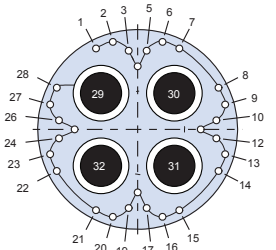
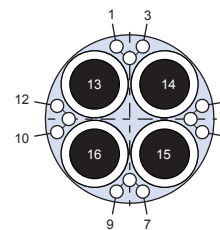
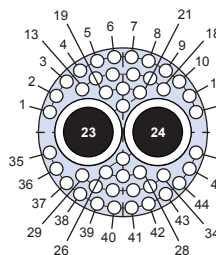
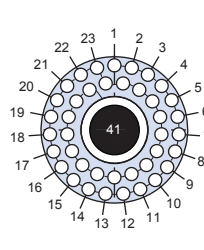
Series 802, 803, 804	14-204		14-205		14-206		14-207	
Series 801	16-204		16-205		16-206		16-207	
Series 805	18-204		18-205		18-206		18-207	
No. of Contacts	2	40	4	32	2	34	4	20
Contact Size	#16	#23	#16	#23	#12	#23	#12	#23
DWV Voltage (VAC)	1800	1300	1800	1300	1800	1300	1800	1300
Current Rating (Amps)	13	5	13	5	23	5	23	5

Contact Legend
 #23 ○ #16 ⊖
 #20HD ⊙ #12 ⊕
 #20 ● #8 ⊗



Series 802	N/A		15-203		15-204		15-206	
Series 801	16-208		17-203		17-204		17-206	
Series 805	18-208		19-203		19-204		19-206	
No. of Contacts	1	32	4	40	4	28	4	58
Contact Size	#8	#23	#16	#23	#12	#23	#16	#23
DWV Voltage (VAC)	1800	1300	1800	1300	500	1300	1800	750
Current Rating (Amps)	46	5	13	5	23	5	13	13

Contact Legend
 #23 ○ #16 ⊖
 #20HD ⊙ #12 ⊕
 #20 ● #8 ⊗



Series 802	N/A		N/A		N/A		N/A	
Series 801	17-205		19-201		19-202		21-200	
Series 805	19-205		21-201		21-202		23-200	
No. of Contacts	1	40	2	44	4	12	4	28
Contact Size	#8	#23	#8	#23	#8	#23	#8	#23
DWV Voltage (VAC)	500	1300	1800	1300	1800	1300	1800	1300
Current Rating (Amps)	46	5	46	5	46	5	46	5



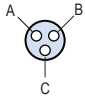
Series 80 Mighty Mouse Technical Reference Standard Arrangements

Straight PCB Footprints - Component Mounting Side of PCB

Insert Arrangement

Pin Connector

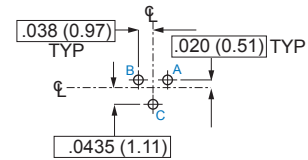
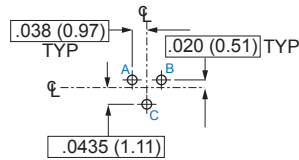
Socket Connector



Insert Arrangement 5-3

3 #23 Contacts
.022 (0.56) Max. Dia. Tail

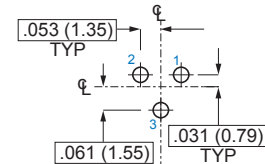
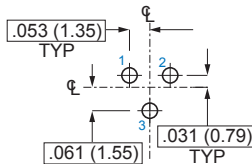
Series 801: **5-3**
Series 800, 802, 803,804: **5-3**
Series 805: **N/A**



Insert Arrangement 6-23, 8-23

3 #20HD Contacts
.028 (0.56) Max. Dia. Tail

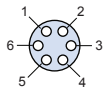
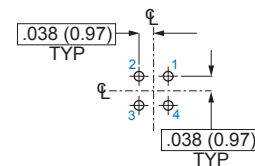
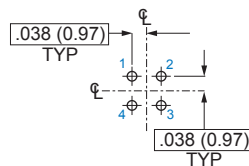
Series 801: **6-23**
Series 800, 802, 803,804: **6-23**
Series 805: **8-23**



Insert Arrangement 6-4, 8-4

4 #23 Contacts
.022 (0.56) Max. Dia. Tail

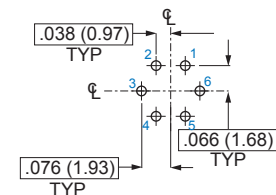
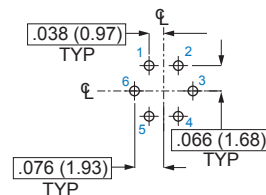
Series 801: **6-4**
Series 800, 802, 803,804: **6-4**
Series 805: **8-4**



Insert Arrangement 6-6, 8-6

6 #23 Contacts
.022 (0.56) Max. Dia. Tail

Series 801: **6-6**
Series 800, 802, 803,804: **6-6**
Series 805: **8-6**



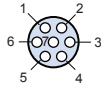
Dimensions in Inches (millimeters) are subject to change without notice.

Series 80 Mighty Mouse Technical Reference Standard Arrangements

Straight PCB Footprints - Component Mounting Side of PCB



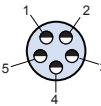
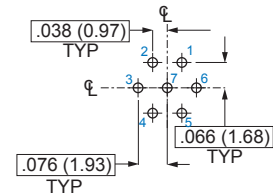
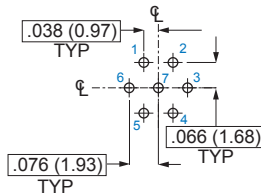
Insert Arrangement	Pin Connector	Socket Connector
--------------------	---------------	------------------



**Insert Arrangement
6-7, 8-7**

7 #23 Contacts
.022 (0.56) Max. Dia. Tail

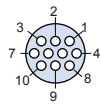
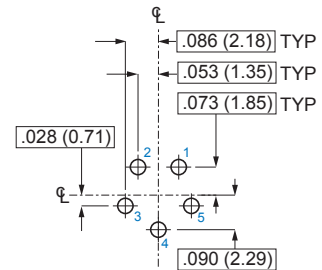
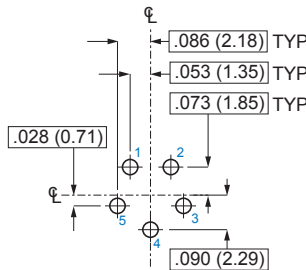
Series 801: **6-7**
Series 800, 802, 803,804: **6-7**
Series 805: **8-7**



**Insert Arrangement
7-25, 9-25**

5 #20HD Contacts
.028 (0.71) Max. Dia. Tail

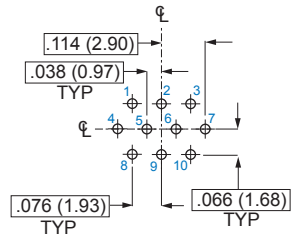
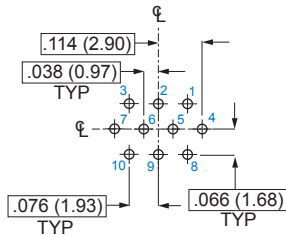
Series 801: **7-25**
Series 800, 802, 803,804: **7-25**
Series 805: **9-25**



**Insert Arrangement
7-10, 9-10**

10 #23 Contacts
.022 (0.56) Max. Dia. Tail

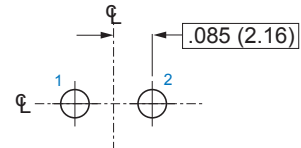
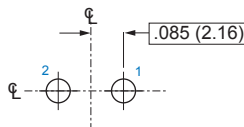
Series 801: **7-10**
Series 800, 802, 803,804: **7-10**
Series 805: **9-10**



**Insert Arrangement
8-2, 10-2**

2 #16 Contacts
.064 (1.63) Max. Dia. Tail

Series 801: **8-2**
Series 800, 802, 803,804: **8-2**
Series 805: **10-2**



Dimensions in Inches (millimeters) are subject to change without notice.





Series 80 Mighty Mouse Technical Reference Standard Arrangements

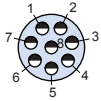
Straight PCB Footprints - Component Mounting Side of PCB

Insert Arrangement

Pin Connector

Socket Connector

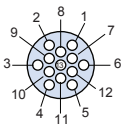
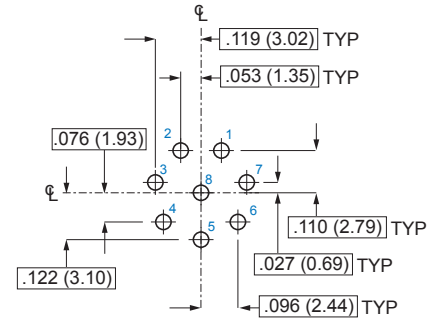
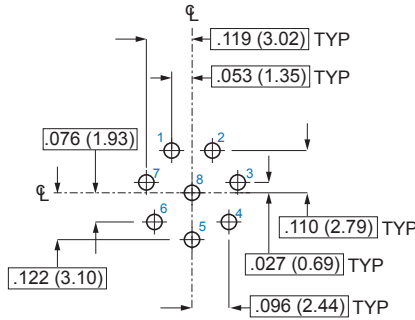
B



Insert Arrangement 8-28, 10-28

8 #20HD Contacts
.028 (0.71) Max. Dia. Tail

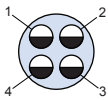
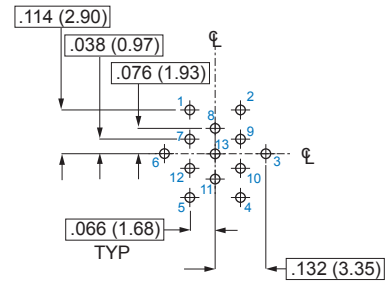
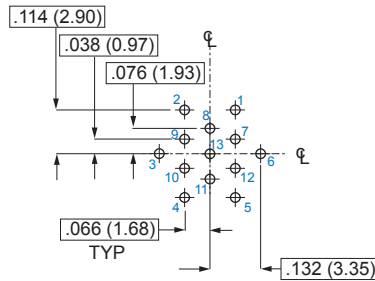
Series 801: **8-28**
Series 800, 802, 803,804: **8-28**
Series 805: **10-28**



Insert Arrangement 8-13, 10-13

13 #23 Contacts
.022 (0.56) Max. Dia. Tail

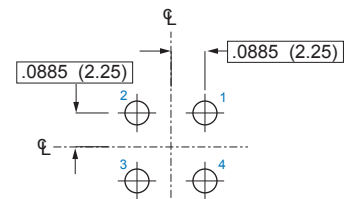
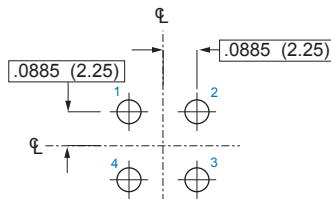
Series 801: **8-13**
Series 800, 802, 803,804: **8-13**
Series 805: **10-13**



Insert Arrangement 9-4, 11-4

4 #16 Contacts
.064 (1.63) Max. Dia. Tail

Series 801: **9-4**
Series 800, 802, 803,804: **9-4**
Series 805: **11-4**



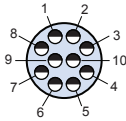
Dimensions in Inches (millimeters) are subject to change without notice.

Series 80 Mighty Mouse Technical Reference Standard Arrangements

Straight PCB Footprints - Component Mounting Side of PCB



Insert Arrangement	Pin Connector	Socket Connector
--------------------	---------------	------------------

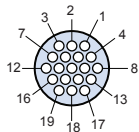
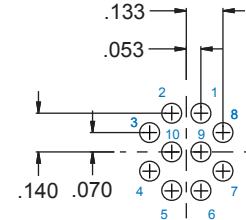
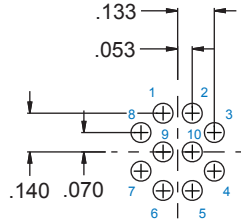


Insert Arrangement

9-210, 11-210

10 #20HD Contacts
.028 (0.71) Max. Dia. Tail

- Series 801: **9-210**
- Series 800, 802, 803,804: **9-210**
- Series 805: **11-210**

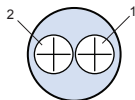
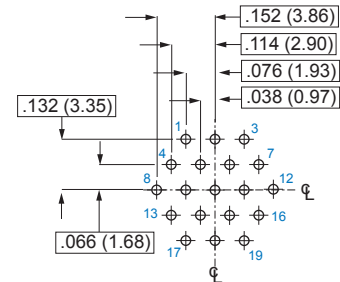
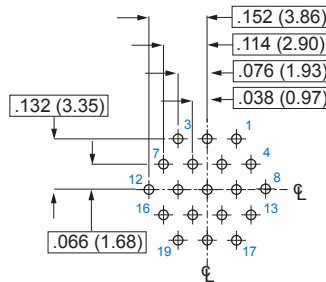


Insert Arrangement

9-19, 11-19

19 #23 Contacts
.022 (0.56) Max. Dia. Tail

- Series 801: **9-19**
- Series 800, 802, 803,804: **9-19**
- Series 805: **11-19**

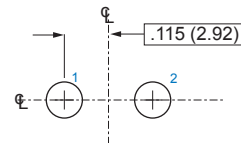
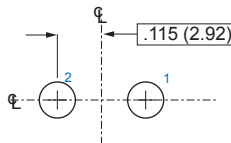


Insert Arrangement

10-2, 12-2

2 #12 Contacts
.096 (2.44) Max Dia. Tail

- Series 801: **10-2**
- Series 800, 802, 803,804: **10-2**
- Series 805: **12-2**



Dimensions in Inches (millimeters) are subject to change without notice.





Series 80 Mighty Mouse Technical Reference

Standard Arrangements

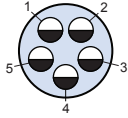
Straight PCB Footprints - Component Mounting Side of PCB

Insert Arrangement

Pin Connector

Socket Connector

B

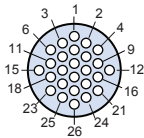
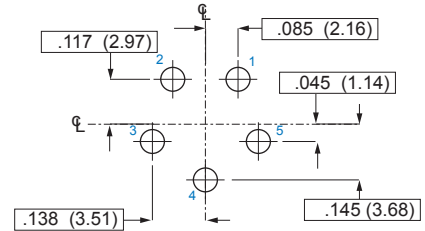
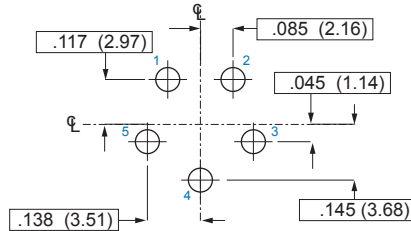


Insert Arrangement

10-5, 12-5

5 #16 Contacts
.064 (1.63) Max. Dia. Tail

Series 801: **10-5**
Series 800, 802, 803,804: **10-5**
Series 805: **12-5**

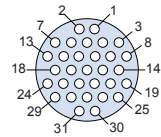
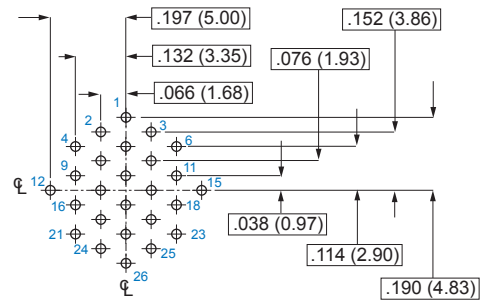
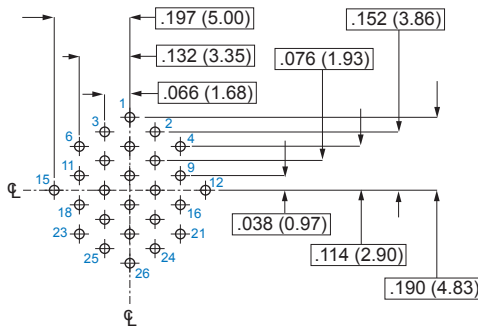


Insert Arrangement

10-26, 12-26

26 #23 Contacts
.022 (0.56) Max. Dia. Tail

Series 801: **10-26**
Series 800, 802, 803,804: **10-26**
Series 805: **12-26**

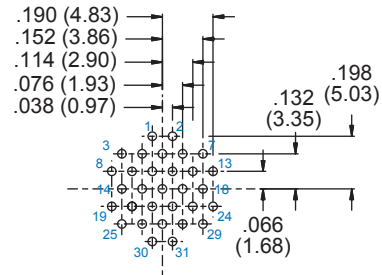
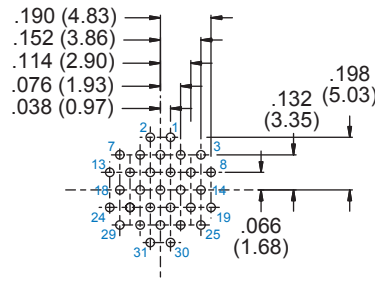


Insert Arrangement

11-31, 13-31

31 #23 Contacts
.022 (0.56) Max. Dia. Tail

Series 801: **11-31**
Series 802, 803,804: **11-31**
Series 805: **13-31**

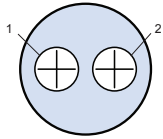


Dimensions in Inches (millimeters) are subject to change without notice.

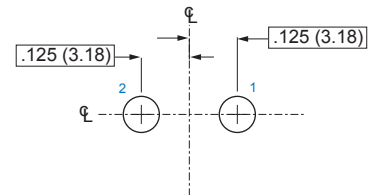
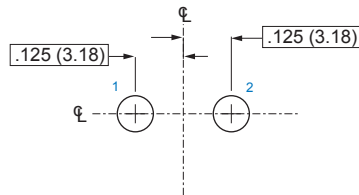
Series 80 Mighty Mouse Technical Reference
Standard Arrangements
Straight PCB Footprints - Component Mounting Side of PCB



Insert Arrangement	Pin Connector	Socket Connector
--------------------	---------------	------------------

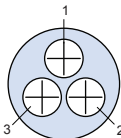


Insert Arrangement
12-2, 13-2, 15-2
2 #12 Contacts
.096 (2.44) Max Dia. Tail

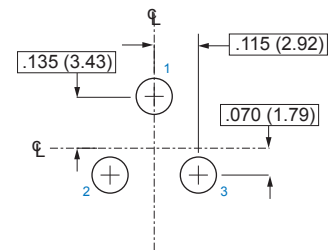
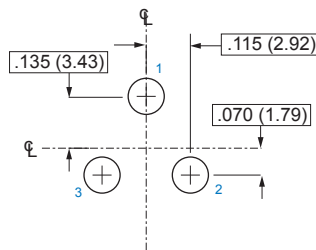


Series 801: **13-2**
Series 800, 802, 803,804: **12-2**
Series 805: **15-2**

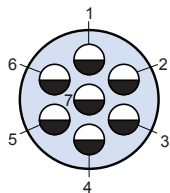
B



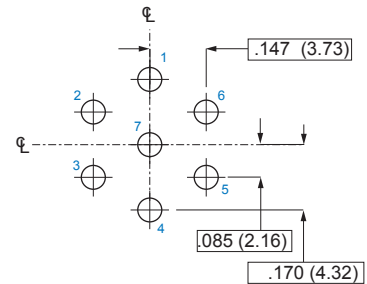
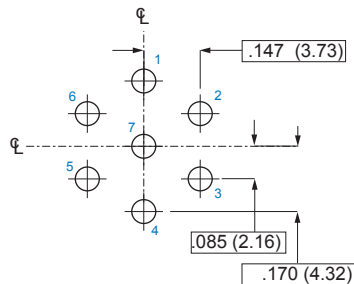
Insert Arrangement
12-3, 13-3, 15-3
3 #12 Contacts
.096 (2.44) Max Dia. Tail



Series 801: **13-3**
Series 800, 802, 803,804: **12-3**
Series 805: **15-3**



Insert Arrangement
12-7, 13-7, 15-7
7 #16 Contacts
.064 (1.63) Max. Dia. Tail



Series 801: **13-7**
Series 800, 802, 803,804: **12-7**
Series 805: **15-7**

Dimensions in Inches (millimeters) are subject to change without notice.



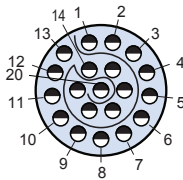
Series 80 Mighty Mouse Technical Reference Standard Arrangements

Straight PCB Footprints - Component Mounting Side of PCB

Insert Arrangement

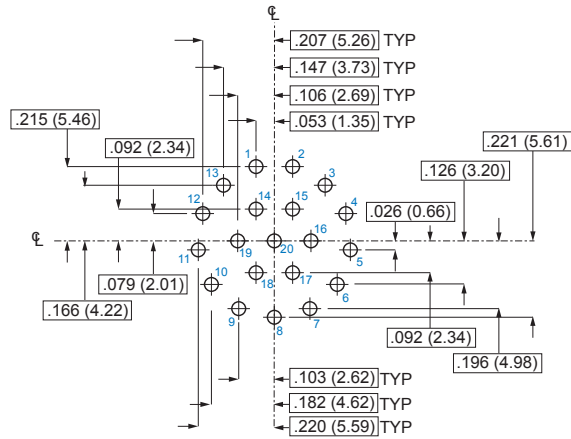
Pin Connector

B

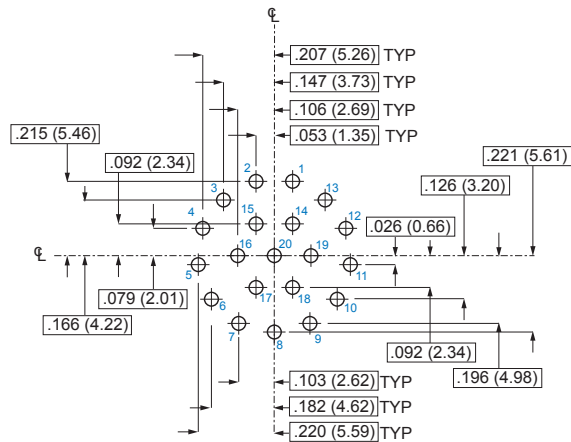


Insert Arrangement
12-220, 13-220, 15-220
 20 #20HD Contacts
 .028 (0.71) Max. Dia. Tail

Series 801: **13-220**
 Series 800, 802, 803, 804: **12-220**
 Series 805: **15-220**



Socket Connector



Dimensions in Inches (millimeters) are subject to change without notice.

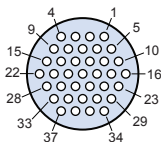
Series 80 Mighty Mouse Technical Reference Standard Arrangements

Straight PCB Footprints - Component Mounting Side of PCB



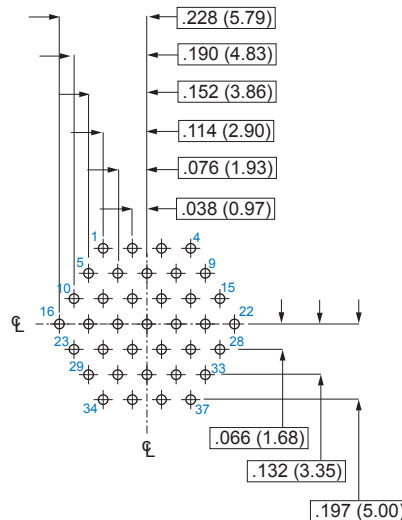
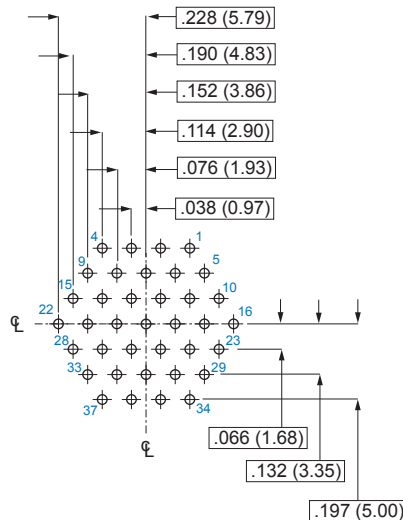
General
Information

Insert Arrangement	Pin Connector	Socket Connector
--------------------	---------------	------------------

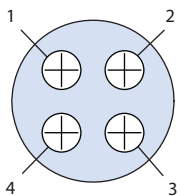


Insert Arrangement
12-37, 13-37, 15-37
37 #23 Contacts
.022 (0.56) Max. Dia. Tail

Series 801: **13-37**
Series 800, 802, 803, 804: **12-37**
Series 805: **15-37**

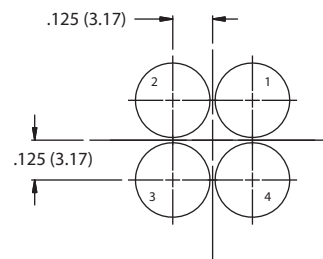
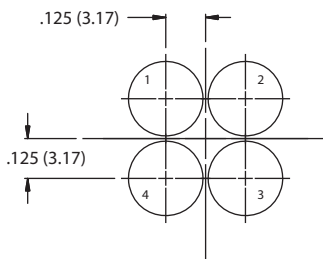


B



Insert Arrangement
14-4, 16-4, 18-4
4 #12 Contacts
.096 (2.44) Max Dia. Tail

Series 801: **16-4**
Series 802, 803, 804: **14-4**
Series 805: **18-4**



Dimensions in Inches (millimeters) are subject to change without notice.



Series 80 Mighty Mouse Technical Reference

Standard Arrangements

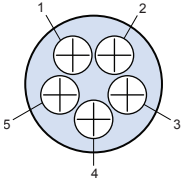
Straight PCB Footprints - Component Mounting Side of PCB

Insert Arrangement

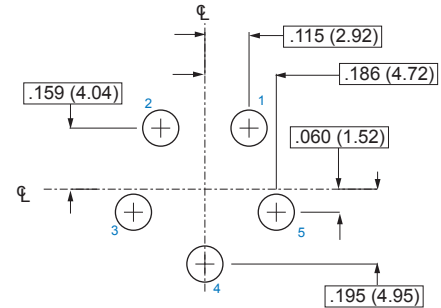
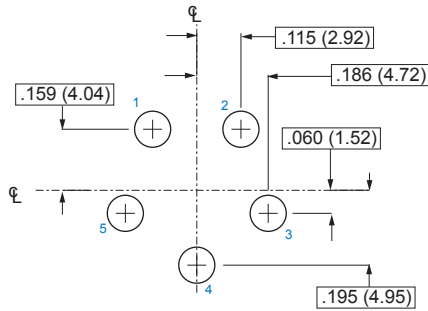
Pin Connector

Socket Connector

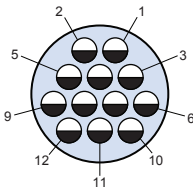
B



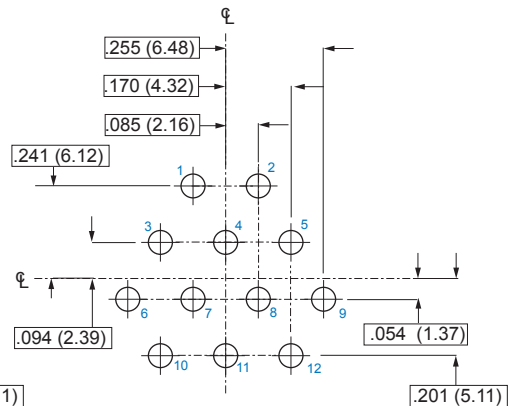
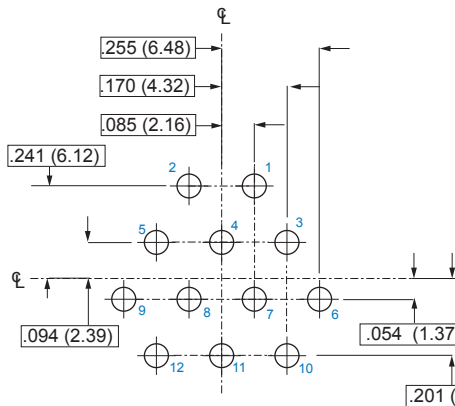
Insert Arrangement
14-5, 16-5, 18-5
 5 #12 Contacts
 .096 (2.44) Max Dia. Tail



Series 801: **16-5**
 Series 802, 803, 804: **14-5**
 Series 805: **18-5**



Insert Arrangement
14-12, 16-12, 18-12
 12 #16 Contacts
 .064 (1.63) Max Dia. Tail



Series 801: **16-12**
 Series 802, 803, 804: **14-12**
 Series 805: **18-12**

Dimensions in Inches (millimeters) are subject to change without notice.

Series 80 Mighty Mouse Technical Reference Standard Arrangements

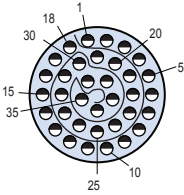
Straight PCB Footprints - Component Mounting Side of PCB



Insert Arrangement

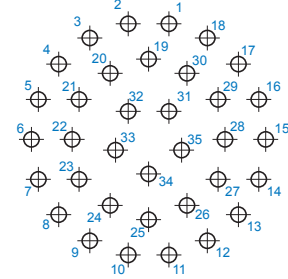
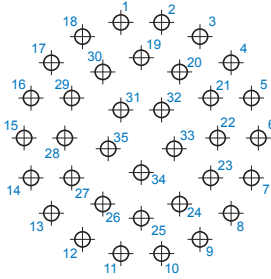
Pin Connector

Socket Connector

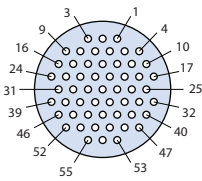


Insert Arrangement
14-235, 16-235, 18-235
35 #20HD Contacts
.028 (0.71) Max. Dia. Tail

Series 801: **16-235**
Series 802, 803, 804: **14-235**
Series 805: **18-235**

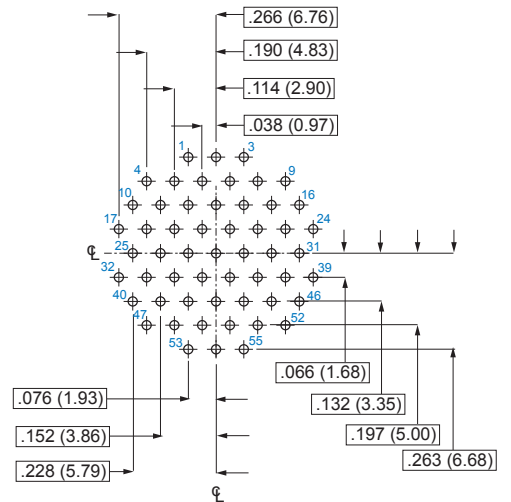
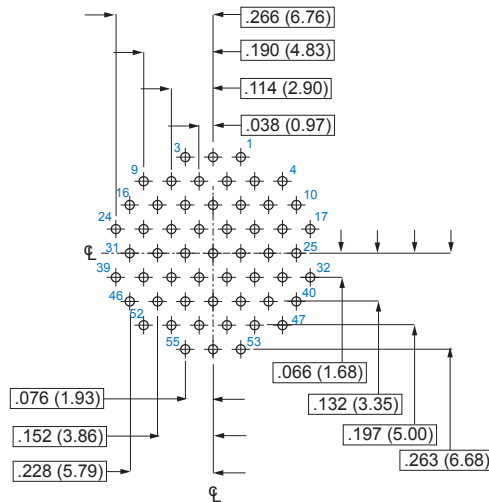


Pin No.	X		Y		Pin No.	X		Y		Pin No.	X		Y	
	In.	mm.	In.	mm.		In.	mm.	In.	mm.		In.	mm.	In.	mm.
1	-.053	-1.35	.301	7.65	13	-.234	-5.94	-.196	-4.98	25	.000	0.00	-.209	-5.31
2	.053	1.35	.301	7.65	14	-.287	-7.29	-.104	-2.64	26	-.100	-2.54	-.172	-4.37
3	.153	3.89	.264	6.71	15	-.305	-7.75	.000	0.00	27	-.181	-4.60	-.104	-2.64
4	.234	5.94	.196	4.98	16	-.287	7.29	.104	2.64	28	-.199	-5.05	.000	0.00
5	.287	7.29	.104	2.64	17	-.234	-5.94	.196	4.98	29	-.181	-4.60	.104	2.64
6	.305	7.75	.000	0.00	18	-.153	-3.89	.264	6.71	30	-.100	-2.54	.172	4.37
7	.287	7.29	-.104	-2.64	19	.000	0.00	.209	5.31	31	-.053	-1.35	.073	1.85
8	.234	5.94	-.196	-4.98	20	.100	2.54	.172	4.37	32	.053	1.35	.073	1.85
9	.153	3.89	-.264	-6.71	21	.181	4.60	.104	2.64	33	.086	2.18	-.028	-0.71
10	.053	1.35	-.301	-7.65	22	.199	5.05	.000	0.00	34	.000	0.00	-.090	-2.29
11	-.053	-1.35	-.301	-7.65	23	.181	4.60	-.104	-2.64	35	-.086	-2.18	-.028	-0.71
12	-.153	-3.89	-.264	-6.71	24	.100	2.54	-.172	-4.37					



Insert Arrangement
14-55, 16-55, 18-55
55 #23 Contacts
.022 (0.56) Max. Dia. Tail

Series 801: **16-55**
Series 802, 803, 804: **14-55**
Series 805: **18-55**



Dimensions in Inches (millimeters) are subject to change without notice.



Series 80 Mighty Mouse Technical Reference Standard Arrangements

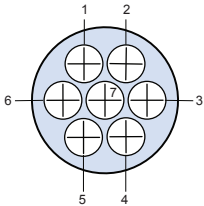
Straight PCB Footprints - Component Mounting Side of PCB

Insert Arrangement

Pin Connector

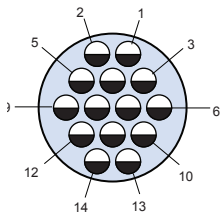
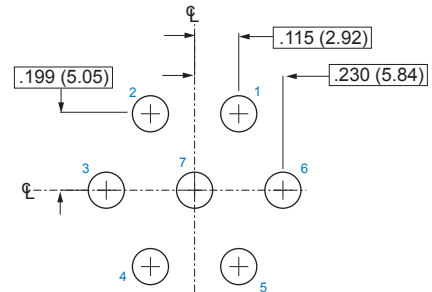
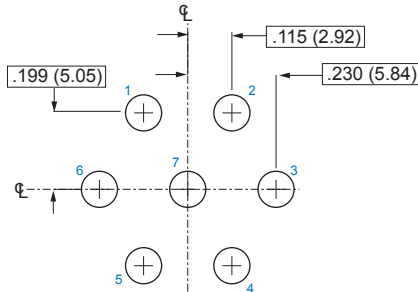
Socket Connector

B



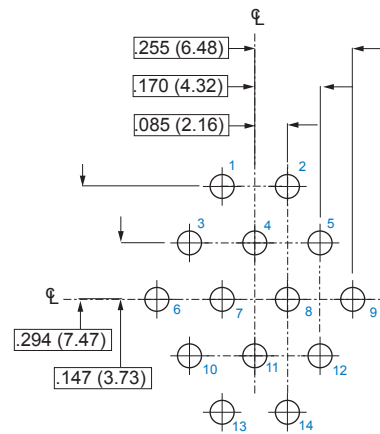
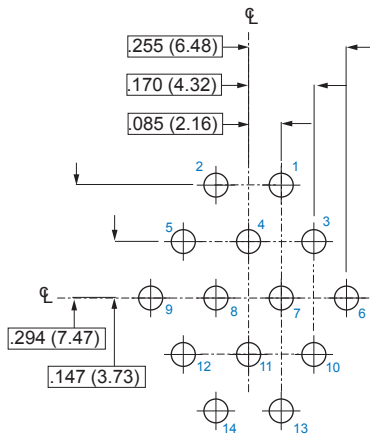
Insert Arrangement
15-7, 17-7, 19-7
7 #12 Contacts
.096 (2.44) Max Dia. Tail

Series 801: 17-7
Series 802: 15-7
Series 805: 19-7



Insert Arrangement
15-14, 17-14, 19-14
14 #16 Contacts
.064 (1.63) Max Dia. Tail

Series 801: 17-14
Series 802: 15-14
Series 805: 19-14



Dimensions in Inches (millimeters) are subject to change without notice.

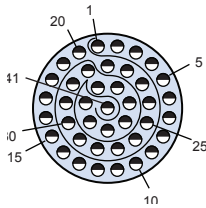
Series 80 Mighty Mouse Technical Reference

Standard Arrangements

Straight PCB Footprints - Component Mounting Side of PCB

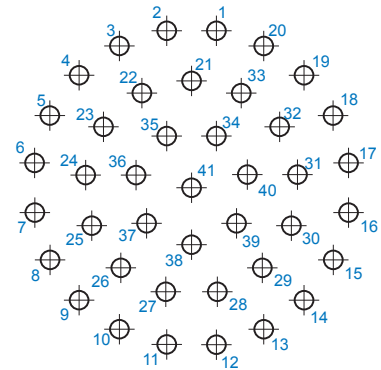
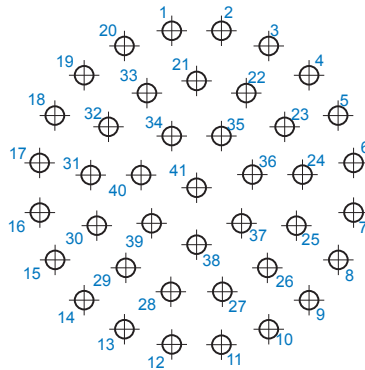


Insert Arrangement	Pin Connector	Socket Connector
--------------------	---------------	------------------



Insert Arrangement
15-241, 17-241, 18-241
 41 #20HD Contacts
 .028 (0.71) Max. Dia. Tail

Series 801: **17-241**
 Series 802: **15-241**
 Series 805: **19-241**



Pin No.	X		Y		Pin No.	X		Y		Pin No.	X		Y	
	In.	mm.	In.	mm.		In.	mm.	In.	mm.		In.	mm.	In.	mm.
1	-.053	-1.35	.335	8.51	15	-.302	-7.67	-.154	-3.91	29	-.151	-3.84	-.171	-4.34
2	.053	1.35	.335	8.51	16	-.335	-8.51	-.053	-1.35	30	-.213	-5.41	-.081	-2.06
3	.154	3.91	.302	7.67	17	-.335	-8.51	.053	1.35	31	-.226	-5.74	.028	0.71
4	.240	6.10	.240	6.10	18	-.302	-7.67	.154	3.91	32	-.188	-4.78	.130	3.30
5	.302	7.67	.154	3.91	19	-.240	-6.10	.240	6.10	33	-.106	-2.69	.202	5.13
6	.335	8.51	.053	1.35	20	-.154	-3.91	.302	7.67	34	-.053	-1.35	.110	2.79
7	.335	8.51	-.053	-1.35	21	.000	0.00	.228	5.79	35	.053	1.35	.110	2.79
8	.302	7.67	-.154	-3.91	22	.106	2.69	.202	5.13	36	.119	3.02	.027	0.69
9	.240	6.10	-.240	-6.10	23	.188	4.78	.130	3.30	37	.096	2.44	-.076	-1.93
10	.154	3.91	-.302	-7.67	24	.226	5.74	.028	0.71	38	.000	0.00	-.122	-3.10
11	.053	1.35	-.335	-8.51	25	.213	5.41	-.081	-2.06	39	-.096	-2.44	-.076	-1.93
12	-.053	-1.35	-.335	-8.51	26	.151	3.84	-.171	-4.34	40	-.119	-3.02	.027	0.69
13	-.154	-3.91	-.302	-7.67	27	.055	1.40	-.222	-5.64	41	.000	0.00	.000	0.00
14	-.240	-6.10	-.240	-6.10	28	-.055	-1.40	-.222	-5.64					

Dimensions in Inches (millimeters) are subject to change without notice.



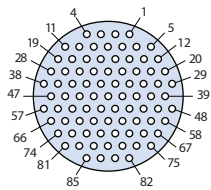
Series 80 Mighty Mouse Technical Reference Standard Arrangements

Straight PCB Footprints - Component Mounting Side of PCB

Insert Arrangement

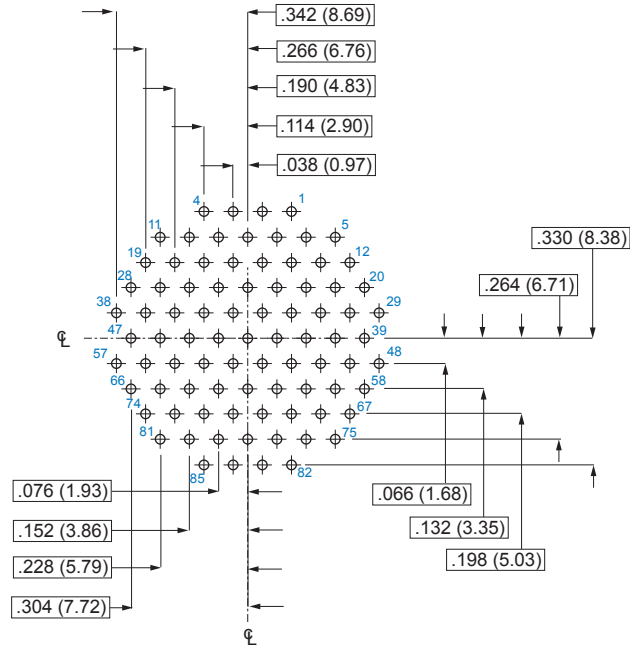
Pin Connector

B

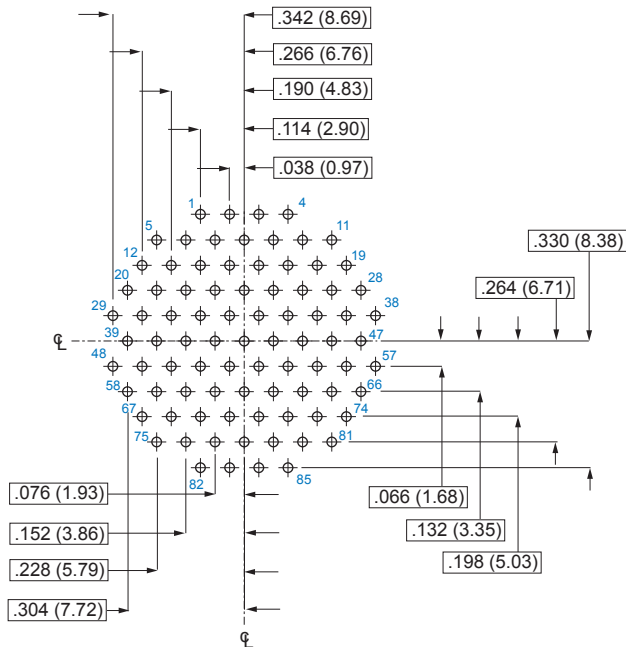


Insert Arrangement
15-85, 17-85, 19-85
85 #23 Contacts
.022 (0.56) Max. Dia. Tail

Series 801: **17-85**
Series 802: **15-85**
Series 805: **19-85**



Socket Connector

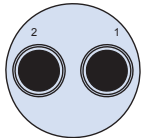


Dimensions in Inches (millimeters) are subject to change without notice.

Series 80 Mighty Mouse Technical Reference
 Standard Arrangements
 Straight PCB Footprints - Component Mounting Side of PCB

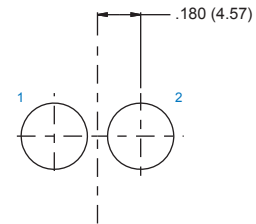
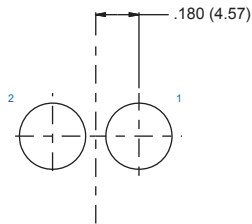


Insert Arrangement	Pin Connector	Socket Connector
--------------------	---------------	------------------

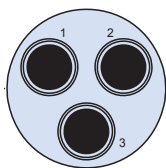


Insert Arrangement
16-2, 18-2
 2 #8 Contacts
 .182 (4.62) Max. Dia. Tail

Series 801: **16-2**
 Series 805: **18-2**

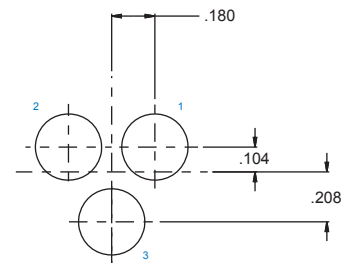
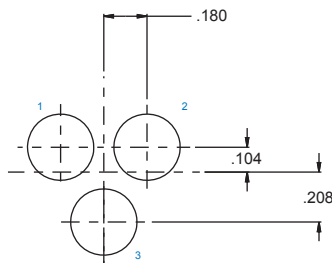


B



Insert Arrangement
17-3, 19-3
 3 #8 Contacts
 .182 (4.62) Max. Dia. Tail

Series 801: **17-3**
 Series 805: **19-3**



Dimensions in Inches (millimeters) are subject to change without notice.



Series 80 Mighty Mouse Technical Reference Standard Arrangements

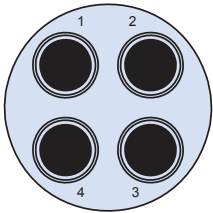
Straight PCB Footprints - Component Mounting Side of PCB

Insert Arrangement

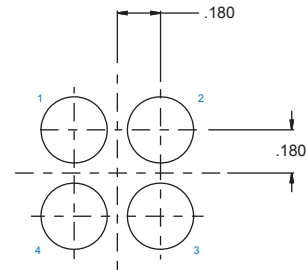
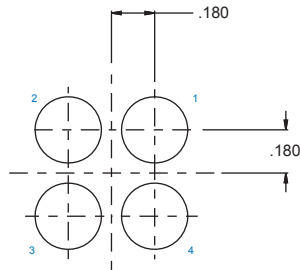
Pin Connector

Socket Connector

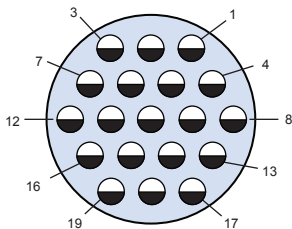
B



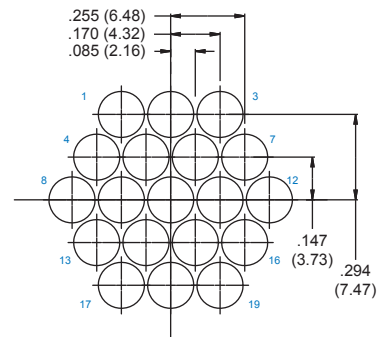
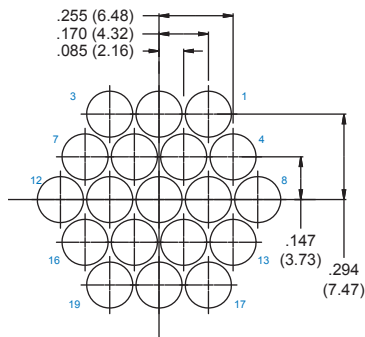
Insert Arrangement
19-4, 21-4
4 #8 Contacts
.182 (4.62) Max Dia. Tail



Series 801: **19-4**
Series 805: **21-4**



Insert Arrangement
19-19, 19-19, 21-19
19 #16 Contacts
.064 (1.63) Max Dia. Tail



Series 801: **19-19**
Series 802: **19-19**
Series 805: **21-19**

Dimensions in Inches (millimeters) are subject to change without notice.

Series 80 Mighty Mouse Technical Reference

Standard Arrangements

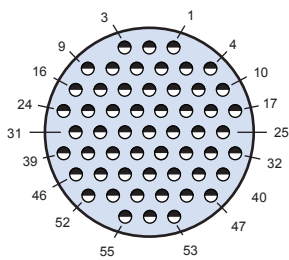
Straight PCB Footprints - Component Mounting Side of PCB



B

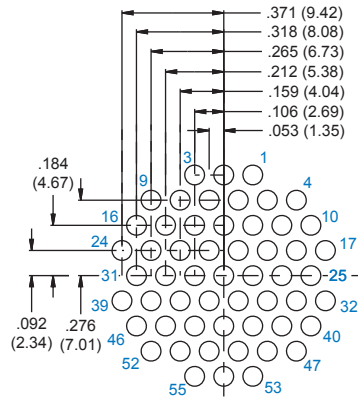
Insert Arrangement

Pin Connector

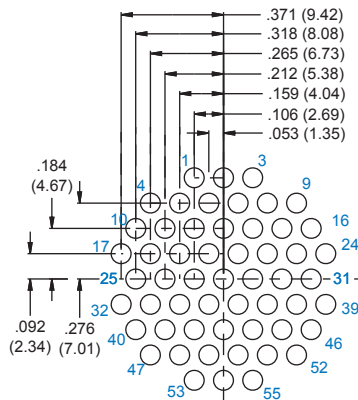


Insert Arrangement
19-255 21-255
 55 #20HD Contacts
 .028 (0.71) Max. Dia. Tail

- Series 801: **19-255**
- Series 802: **19-255**
- Series 805: **21-255**



Socket Connector



Dimensions in Inches (millimeters) are subject to change without notice.



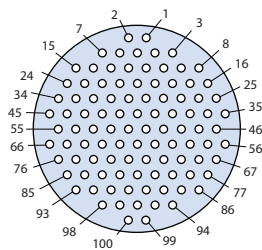
Series 80 Mighty Mouse Technical Reference Standard Arrangements

Straight PCB Footprints - Component Mounting Side of PCB

Insert Arrangement

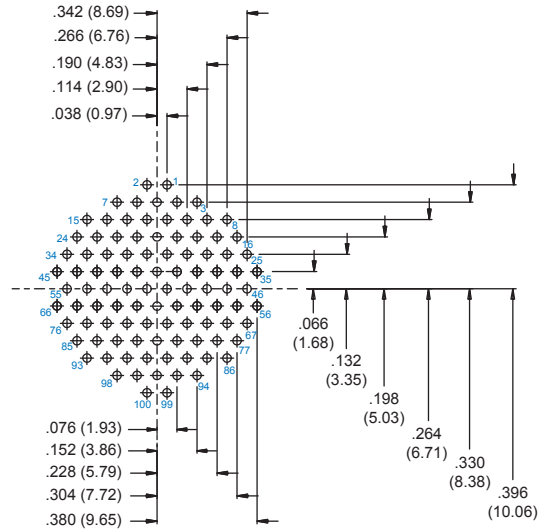
Pin Connector

B

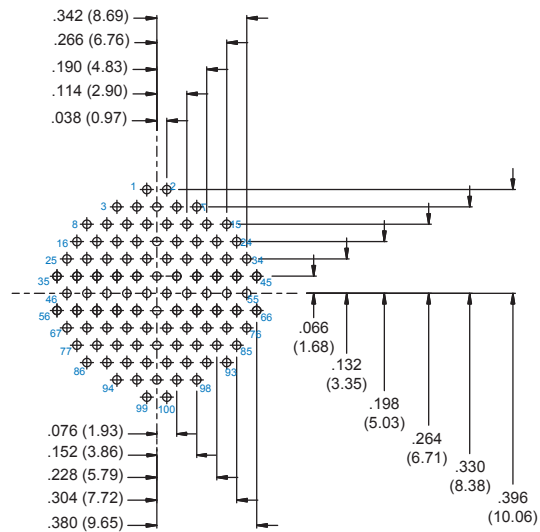


Insert Arrangement
19-100 21-100
100 #23 Contacts
.022 (.559) Max Dia

Series 801: **19-100**
Series 802: **19-100**
Series 805: **21-100**



Socket Connector



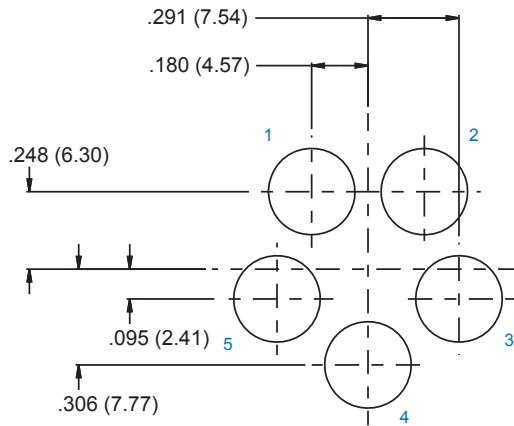
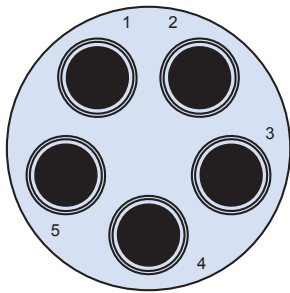
Dimensions in Inches (millimeters) are subject to change without notice.

Series 80 Mighty Mouse Technical Reference
 Standard Arrangements
 Straight PCB Footprints - Component Mounting Side of PCB



Insert Arrangement

Pin Connector

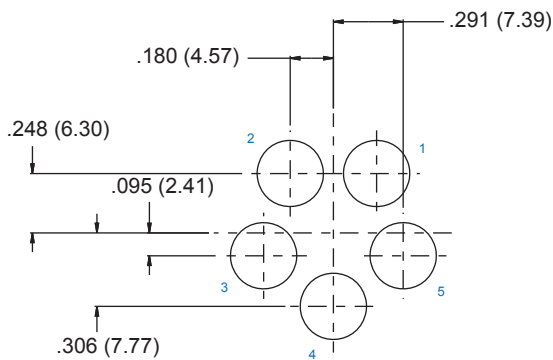


B

Socket Connector

Insert Arrangement
21-5, 23-5
 5 #8 Contacts
 .182 (4.62) Max Dia. Tail

Series 801: **21-5**
 Series 805: **23-5**



Dimensions in Inches (millimeters) are subject to change without notice.



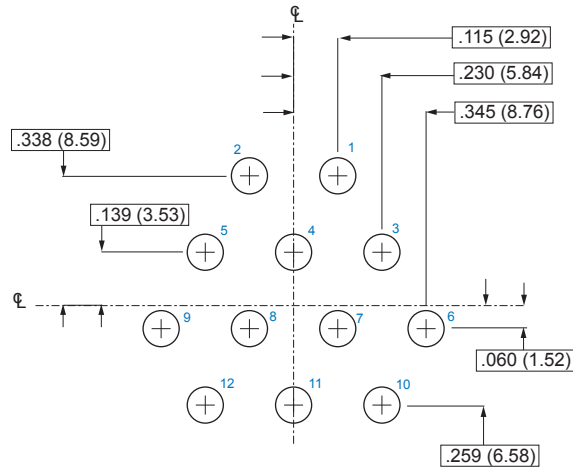
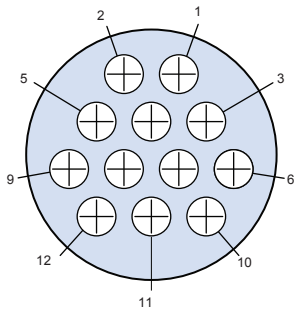
Series 80 Mighty Mouse Technical Reference Standard Arrangements

Straight PCB Footprints - Component Mounting Side of PCB

Insert Arrangement

Pin Connector

B



Socket Connector

Insert Arrangement

21-12, 23-12

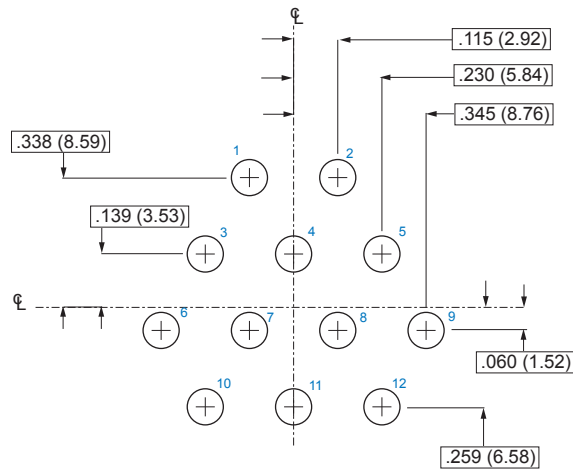
12 #12 Contacts

.096 (2.44) Max Dia

Series 801: **21-12**

Series 802: **21-12**

Series 805: **23-12**



Dimensions in Inches (millimeters) are subject to change without notice.

Series 80 Mighty Mouse Technical Reference

Standard Arrangements

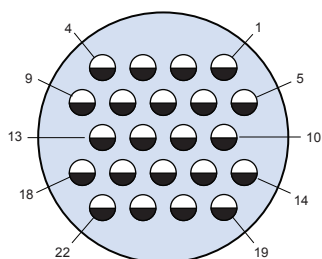
Straight PCB Footprints - Component Mounting Side of PCB



B

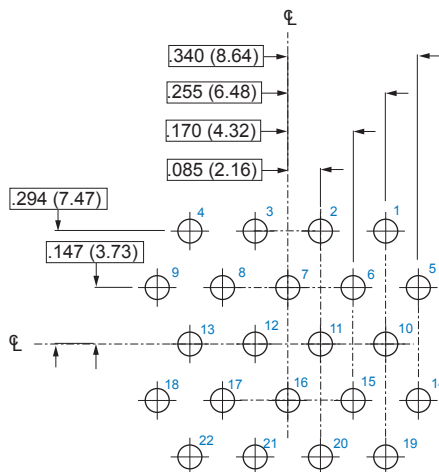
Insert Arrangement

Pin Connector

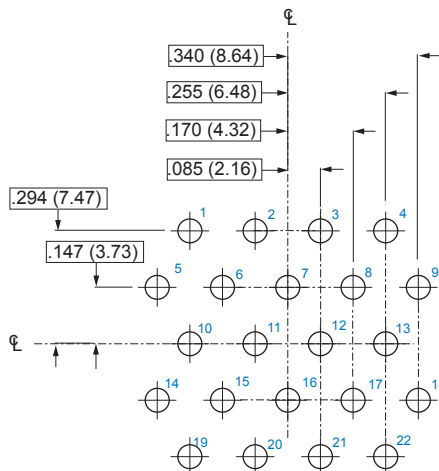


Insert Arrangement
21-22, 23-22
 22 #16 Contacts
 .064 (1.63 Max. Dia. Tail)

Series 801: **21-22**
 Series 800,802, 803, 804: **21-22**
 Series 805: **23-22**



Socket Connector



Dimensions in Inches (millimeters) are subject to change without notice.



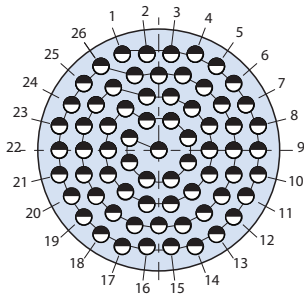
Series 80 Mighty Mouse Technical Reference Standard Arrangements

Straight PCB Footprints - Component Mounting Side of PCB

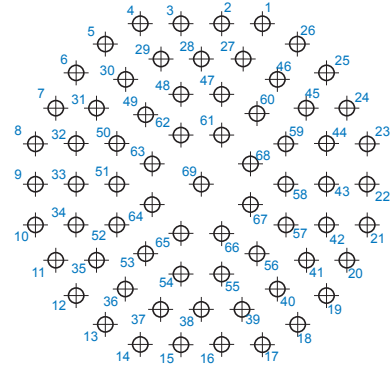
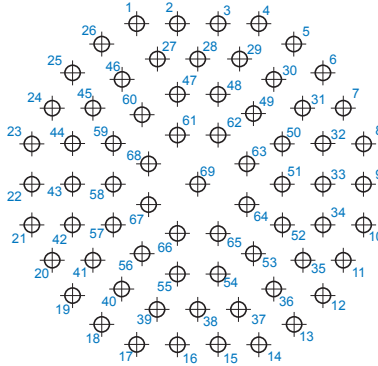
Insert Arrangement

Pin Connector

Socket Connector



Insert Arrangement
21-269, 23-269
69 #20HD Contacts
.028 (0.71) Max. Dia. Tail



B

Series 801: **21-269**

Series 804: **21-269**

Series 805: **23-269**

Pin No.	X		Y		Pin No.	X		Y		Pin No.	X		Y	
	In.	mm.	In.	mm.		In.	mm.	In.	mm.		In.	mm.	In.	mm.
1	-.159	-4.04	.418	10.62	24	-.379	-9.63	.198	5.03	47	-.053	-1.35	.234	5.94
2	-.053	-1.35	.418	10.62	25	-.326	-8.28	.290	7.37	48	.053	1.35	.234	5.94
3	.053	1.35	.418	10.62	26	-.251	-6.38	.365	9.27	49	.145	3.68	.181	4.60
4	.159	4.04	.418	10.62	27	-.106	-2.69	.326	8.28	50	.220	5.59	.106	2.69
5	.251	6.38	.365	9.27	28	.000	0.00	.326	8.28	51	.220	5.59	.000	0.00
6	.326	8.28	.290	7.37	29	.106	-2.69	.326	8.28	52	.220	5.59	-.106	-2.69
7	.379	9.63	.198	5.03	30	.198	5.03	.273	6.93	53	.145	3.68	-.181	-4.60
8	.432	10.97	.106	2.69	31	.273	6.93	.198	5.03	54	.053	1.35	-.234	-5.94
9	.432	10.97	.000	0.00	32	.326	8.28	.106	2.69	55	-.053	-1.35	-.234	-5.94
10	.432	10.97	-.106	-2.69	33	.326	8.28	.000	0.00	56	-.145	-3.68	-.181	-4.60
11	.379	9.63	-.198	-5.03	34	.326	8.28	-.106	-2.69	57	-.220	-5.59	-.106	-2.69
12	.326	8.28	-.290	-7.37	35	.273	6.93	-.198	-5.03	58	.220	-5.59	.000	0.00
13	.251	6.38	-.365	-9.27	36	.198	5.03	-.273	-6.93	59	-.220	-5.59	.106	2.69
14	.159	4.04	-.418	-10.62	37	.106	2.69	-.326	-8.28	60	-.145	-3.68	.181	4.60
15	.053	1.35	-.418	-10.62	38	.000	0.00	-.326	-8.28	61	-.053	-1.35	.128	3.25
16	-.053	-1.35	-.418	-10.62	39	-.106	-2.69	-.326	-8.28	62	.053	1.35	.128	3.25
17	-.159	-4.04	-.418	-10.62	40	-.198	-5.03	-.273	-6.93	63	.128	3.25	.053	1.35
18	-.251	-6.38	-.365	-9.27	41	-.273	-6.93	-.198	-5.03	64	.128	3.25	-.053	-1.35
19	-.326	-8.28	-.290	-7.37	42	-.326	-8.28	-.106	-2.69	65	.053	1.35	-.128	-3.25
20	-.379	-9.63	-.198	-5.03	43	-.326	-8.28	.000	0.00	66	-.053	-1.35	-.128	-3.25
21	-.432	-10.97	-.106	-2.69	44	-.326	-8.28	.106	2.69	67	-.128	-3.25	-.053	-1.35
22	-.432	-10.97	.000	0.00	45	-.273	-6.93	.198	5.03	68	-.128	-3.25	.053	1.35
23	-.432	-10.97	.106	2.69	46	-.198	-5.03	.273	6.93	69	.000	0.00	.000	0.00

Dimensions in Inches (millimeters) are subject to change without notice.

Series 80 Mighty Mouse Technical Reference Standard Arrangements

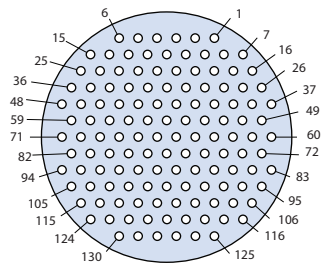
Straight PCB Footprints - Component Mounting Side of PCB



B

Insert Arrangement

Pin Connector



Insert Arrangement

21-130, 23-130

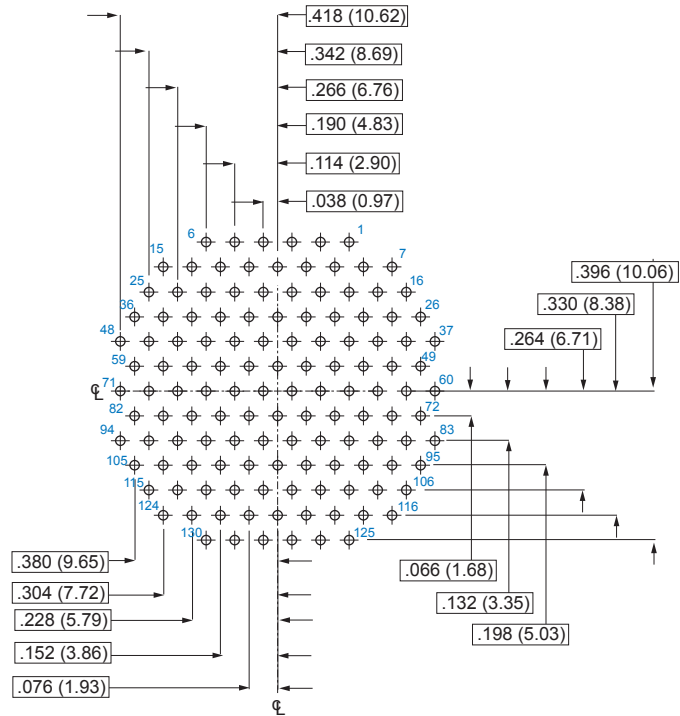
130 #23 Contacts

.022 (0.56) Max. Dia. Tail

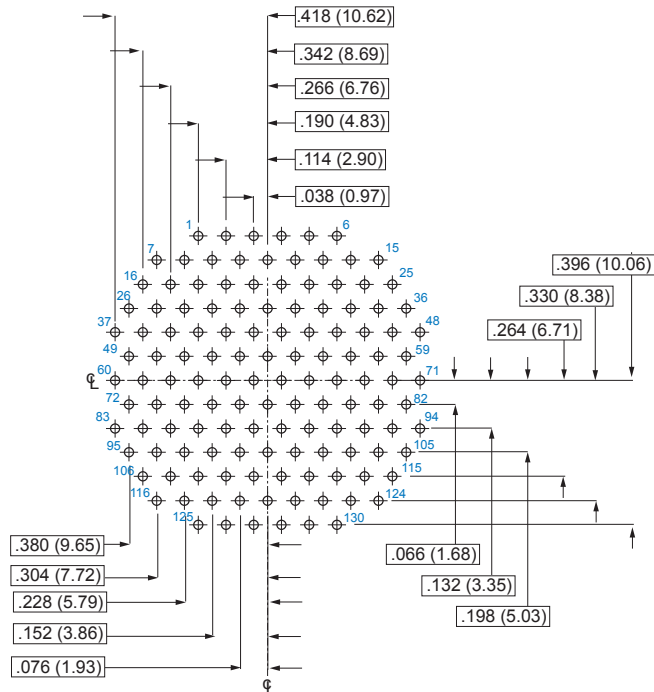
Series 801: **21-130**

Series 804: **21-130**

Series 805: **23-130**



Socket Connector



Dimensions in Inches (millimeters) are subject to change without notice.



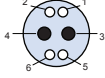
Series 80 Mighty Mouse Technical Reference Combo Arrangements

Straight PCB Footprints - Component Mounting Side of PCB

Insert Arrangement

Pin Connector

Socket Connector



Insert Arrangement

8-200, 10-200

2 #20 Contacts

.028 (0.71) Max. Dia. Tail

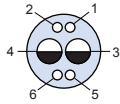
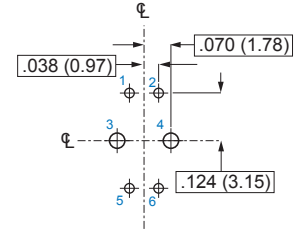
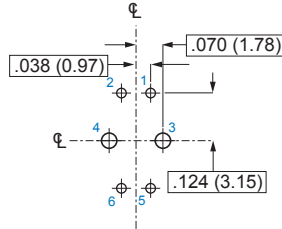
4 #23 Contacts

.022 (0.56) Max. Dia. Tail

Series 801: **8-200**

Series 800, 802, 803,804: **8-200**

Series 805: **10-200**



Insert Arrangement

9-200, 11-200

4 #23 Contacts

.022 (0.56) Max. Dia. Tail

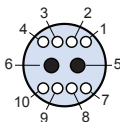
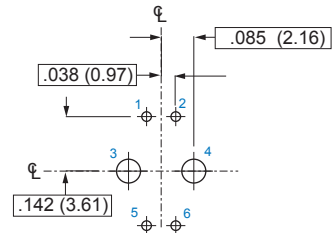
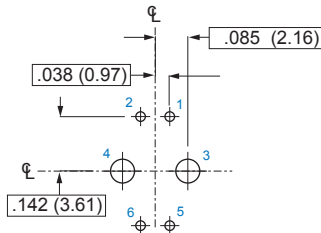
2 #16 Contacts

.064 (1.63) Max. Dia. Tail

Series 801: **9-200**

Series 800, 802, 803,804: **9-200**

Series 805: **11-200**



Insert Arrangement

9-201, 11-201

2 #20 Contacts

.028 (0.71) Max Dia Tail

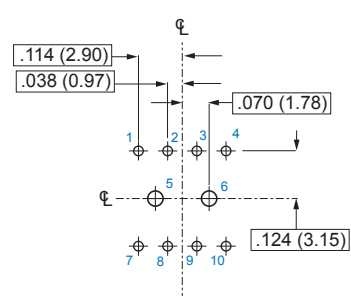
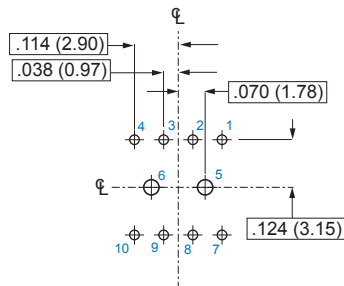
8 #23 Contacts

.022 (0.56) Max Dia Tail

Series 801: **9-201**

Series 800, 802, 803,804: **9-201**

Series 805: **11-201**



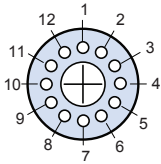
Dimensions in Inches (millimeters) are subject to change without notice.

Series 80 Mighty Mouse Technical Reference Combo Arrangements

Straight PCB Footprints - Component Mounting Side of PCB



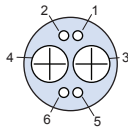
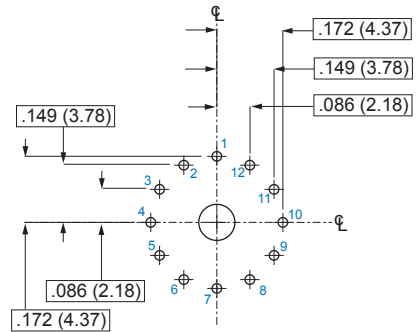
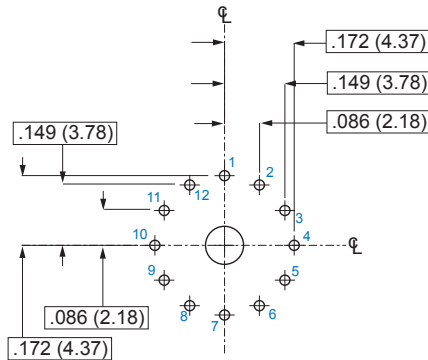
Insert Arrangement	Pin Connector	Socket Connector
--------------------	---------------	------------------



**Insert Arrangement
10-200, 12-200**

1 #12 Contact
.096 (2.44) Max Dia Tail
12 #23 Contacts
.022 (0.56) Max. Dia. Tail

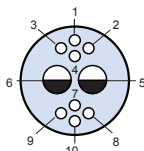
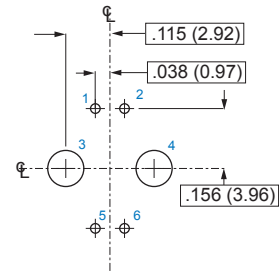
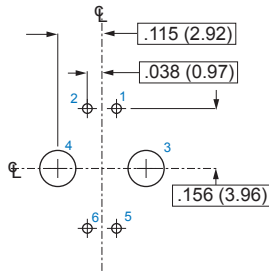
Series 801: **10-200**
Series 800, 802, 803,804: **10-200**
Series 805: **12-200**



**Insert Arrangement
10-201, 12-201**

2 #12 Contacts
.096 (2.44) Max. Dia. Tail
4 #23 Contacts
.022 (0.56) Max. Dia. Tail

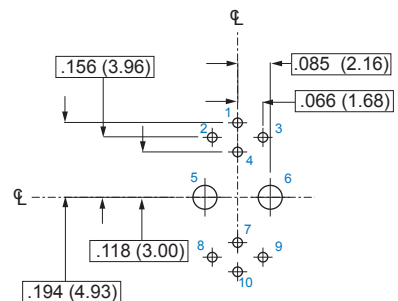
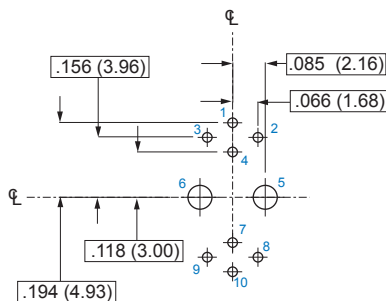
Series 801: **10-201**
Series 800, 802, 803,804: **10-201**
Series 805: **12-201**



**Insert Arrangement
10-202, 12-202**

2 #16 Contacts
.064 (1.63) Max. Dia. Tail
8 #23 Contacts
.022 (0.5 Max. Dia. Tail)

Series 801: **10-202**
Series 800, 802, 803,804: **10-202**
Series 805: **12-202**



B



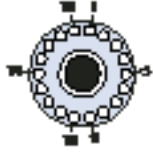
Series 80 Mighty Mouse Technical Reference Combo Arrangements

Straight PCB Footprints - Component Mounting Side of PCB

Insert Arrangement

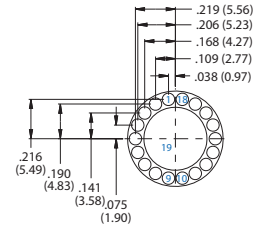
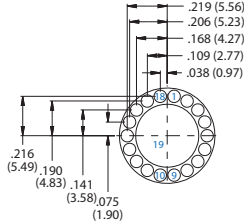
Pin Connector

Socket Connector

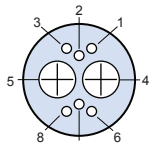


Insert Arrangement 11-201, 13-201

- 1 #8 Contacts
- .182 (4.62) Max. Dia. Tail
- 18 #23 Contacts
- .022 (0.56) Max. Dia. Tail

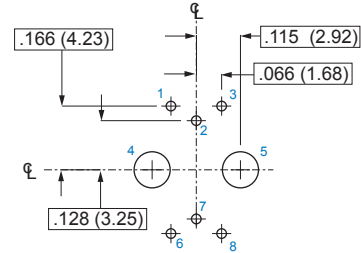
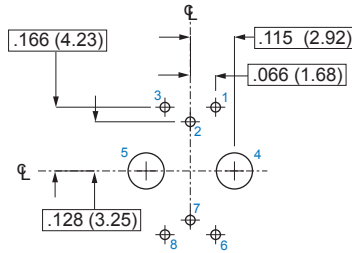


Series 800, 801, 802,
803, 804: **11-201**
Series 805: **13-201**

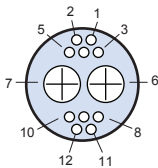


Insert Arrangement 12-200, 13-200, 15-200

- 2 #12 Contacts
- .096 (2.44) Max. Dia. Tail
- 6 #23 Contacts
- .022 (0.56) Max. Dia. Tail

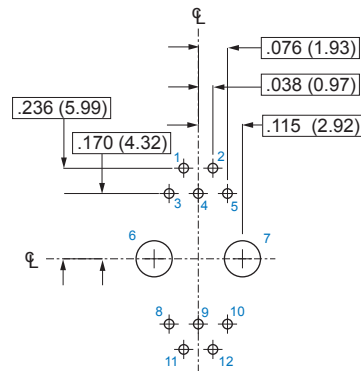
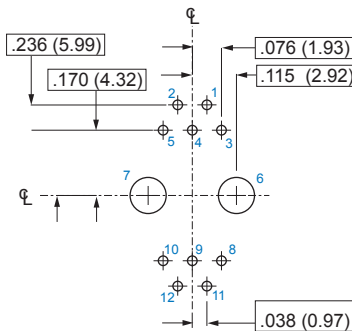


Series 801: **13-200**
Series 800, 802, 803, 804: **12-200**
Series 805: **15-200**



Insert Arrangement 12-201, 13-201, 15-201

- 2 #12 Contacts
- .096 (2.44) Max. Dia. Tail
- 10 #23 Contacts
- .022 (0.56) Max. Dia. Tail



Series 801: **13-201**
Series 800, 802, 803, 804: **12-201**
Series 805: **15-201**

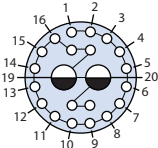
Dimensions in Inches (millimeters) are subject to change without notice.

Series 80 Mighty Mouse Technical Reference Combo Arrangements

Straight PCB Footprints - Component Mounting Side of PCB

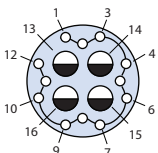
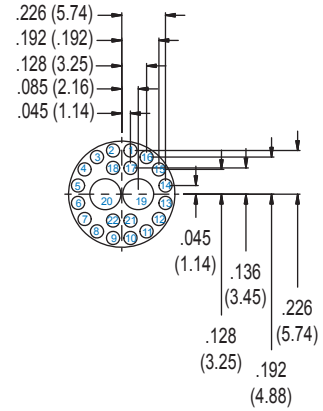
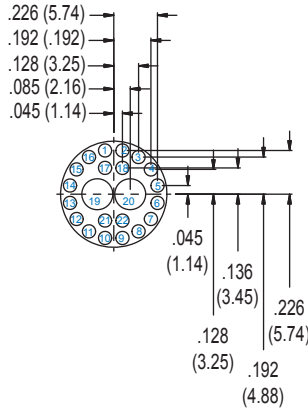


Insert Arrangement	Pin Connector	Socket Connector
--------------------	---------------	------------------



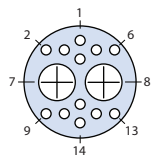
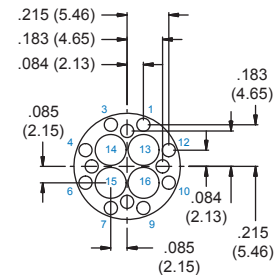
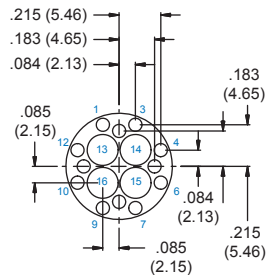
Insert Arrangement
12-202, 13-202, 15-202
 2 #16 Contacts
 .064 (1.63) Max. Dia. Tail
 20 #23 Contacts
 .028 (0.71) Max. Dia. Tail

Series 801: **13-202**
 Series 800, 802, 803,804: **12-202**
 Series 805: **15-202**



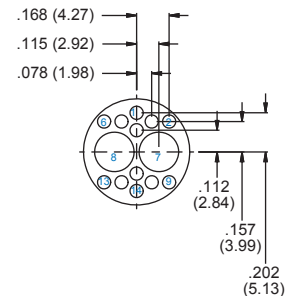
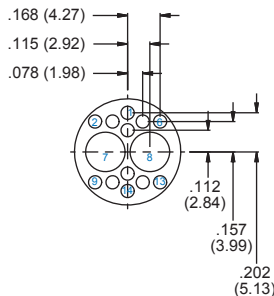
Insert Arrangement
12-203, 13-203, 15-203
 4 #16 Contacts
 .064 (1.63) Max. Dia. Tail
 12 #23 Contacts
 .022 (0.71) Max. Dia. Tail

Series 801: **13-203**
 Series 800, 802, 803,804: **12-203**
 Series 805: **15-203**



Insert Arrangement
12-204, 13-204, 15-204
 2 #12 Contacts
 .096 (2.44) Max. Dia. Tail
 12 #23 Contacts
 .022 (0.71) Max. Dia. Tail

Series 801: **13-204**
 Series 800, 802, 803,804: **12-204**
 Series 805: **15-204**



Dimensions in Inches (millimeters) are subject to change without notice.





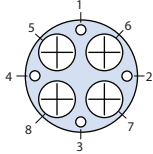
Series 80 Mighty Mouse Technical Reference Combo Arrangements

Straight PCB Footprints - Component Mounting Side of PCB

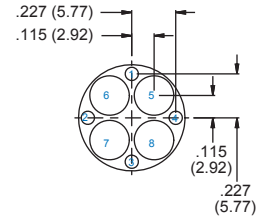
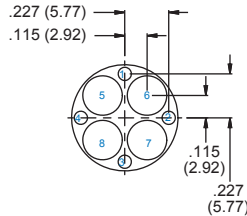
Insert Arrangement

Pin Connector

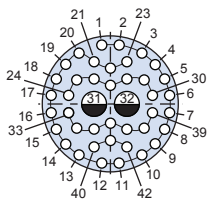
Socket Connector



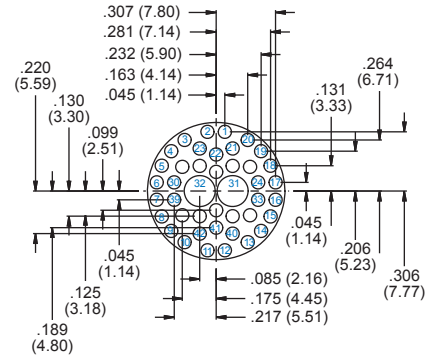
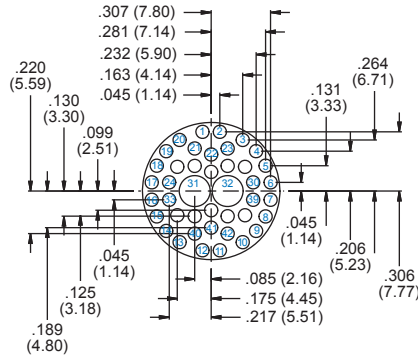
Insert Arrangement
12-205, 13-205, 15-205
 4 #12 Contacts
 .096 (2.44) Max. Dia. Tail
 4 #23 Contacts
 .022 (0.71) Max. Dia. Tail



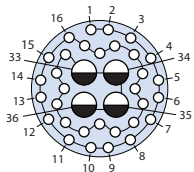
Series 801: **13-205**
 Series 800, 802, 803,804: **12-205**
 Series 805: **15-205**



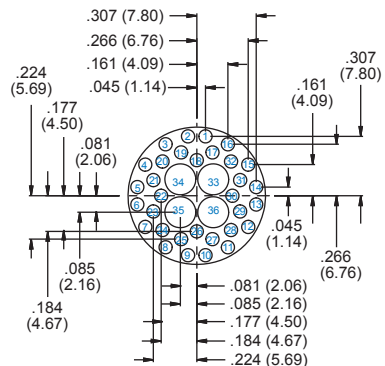
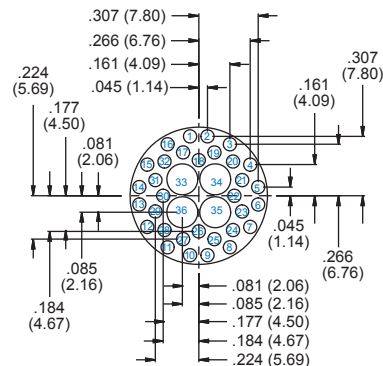
Insert Arrangement
14-204, 16-204, 18-204
 2 #16 Contacts
 .064 (1.63) Max. Dia. Tail
 40 #23 Contacts
 .022 (0.71) Max. Dia. Tail



Series 801: **16-204**
 Series 802, 803,804: **14-204**
 Series 805: **18-204**



Insert Arrangement
14-205, 16-205, 18-205
 4 #16 Contacts
 .064 (1.63) Max. Dia. Tail
 32 #23 Contacts
 .022 (0.71) Max. Dia. Tail



Series 801: **16-205**
 Series 802, 803,804: **14-205**
 Series 805: **18-205**

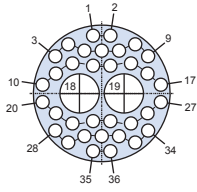
Dimensions in Inches (millimeters) are subject to change without notice.

Series 80 Mighty Mouse Technical Reference Combo Arrangements

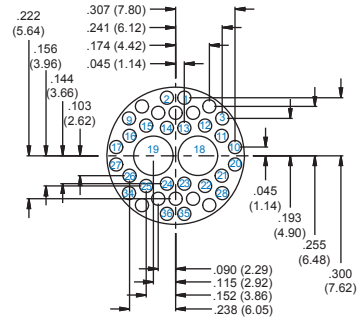
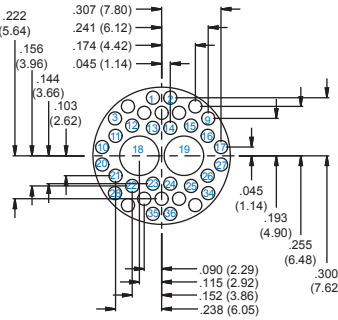
Straight PCB Footprints - Component Mounting Side of PCB



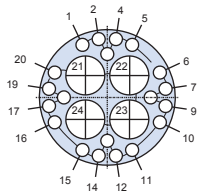
Insert Arrangement	Pin Connector	Socket Connector
--------------------	---------------	------------------



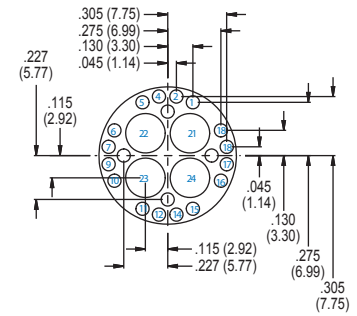
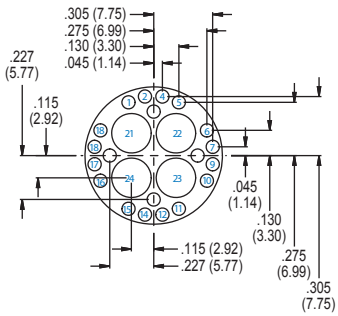
Insert Arrangement
14-206, 16-206, 18-206
 2 #12 Contacts
 .096 (2.44) Max. Dia. Tail
 34 #23 Contacts
 .022 (0.71) Max. Dia. Tail



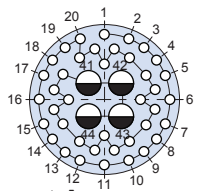
Series 801: **16-206**
 Series 802, 803, 804: **14-206**
 Series 805: **18-206**



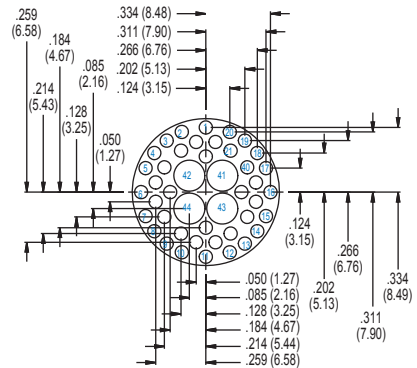
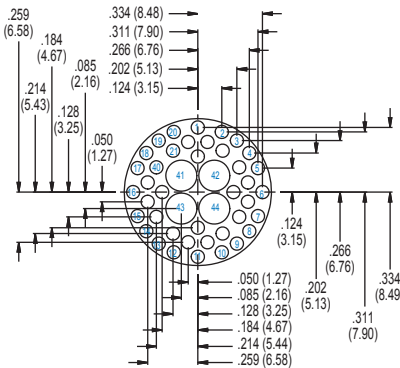
Insert Arrangement
14-207, 16-207, 18-207
 4 #12 Contacts
 .096 (2.44) Max. Dia. Tail
 20 #23 Contacts
 .022 (0.71) Max. Dia. Tail



Series 801: **16-207**
 Series 802, 803, 804: **14-207**
 Series 805: **18-207**



Insert Arrangement
15-203, 17-203, 19-203
 4 #16 Contacts
 .064 (1.63) Max. Dia. Tail
 40 #23 Contacts
 .022 (0.71) Max. Dia. Tail



Series 801: **17-203**
 Series 802: **15-203**
 Series 805: **19-203**

Dimensions in Inches (millimeters) are subject to change without notice.



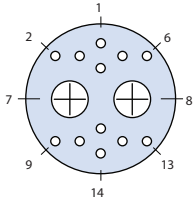
Series 80 Mighty Mouse Technical Reference Combo Arrangements

Straight PCB Footprints - Component Mounting Side of PCB

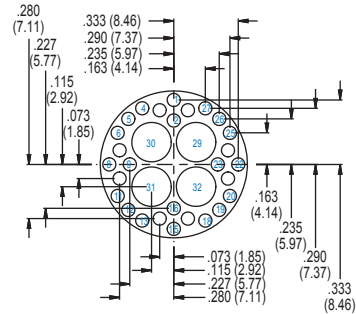
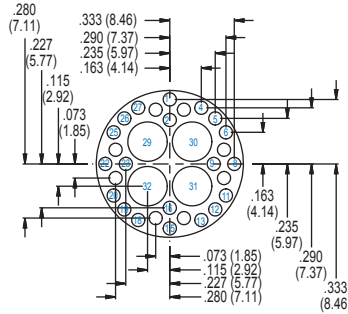
Insert Arrangement

Pin Connector

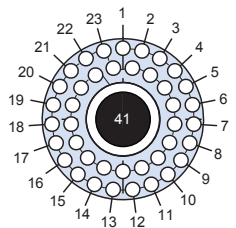
Socket Connector



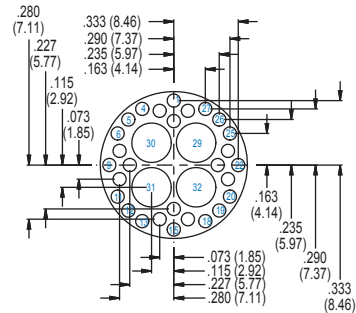
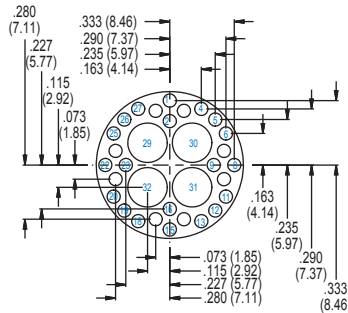
Insert Arrangement
15-204, 17-204, 19-204
 4 #12 Contacts
 .096 (2.44) Max. Dia. Tail
 28 #23 Contacts
 .022 (0.71) Max. Dia. Tail



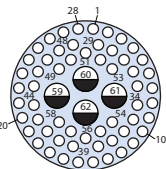
Series 801: **17-204**
 Series 802: **15-204**
 Series 805: **19-204**



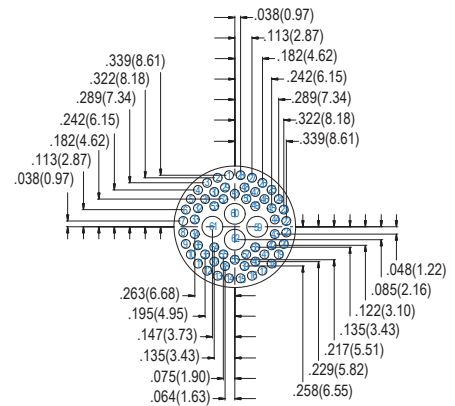
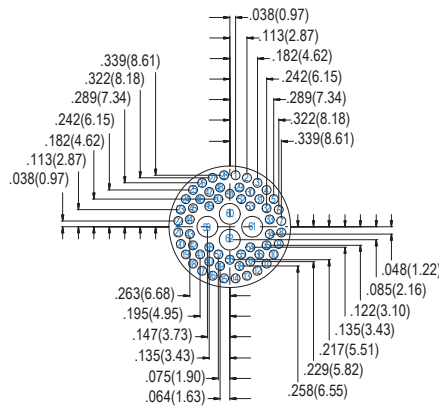
Insert Arrangement
15-205, 17-205, 19-205
 1 #8 Contacts
 .182 (4.62) Max. Dia. Tail
 40 #23 Contacts
 .022 (0.71) Max. Dia. Tail



Series 801: **17-205**
 Series 802: **15-205**
 Series 805: **19-205**



Insert Arrangement
15-206, 17-206, 19-206
 4 #16 Contacts
 .064 (1.63) Max. Dia. Tail
 58 #23 Contacts
 .022 (0.71) Max. Dia. Tail



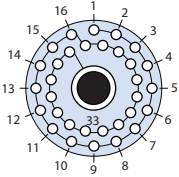
Series 801: **15-206**
 Series 802: **17-206**
 Series 805: **19-206**

Series 80 Mighty Mouse Technical Reference Combo Arrangements

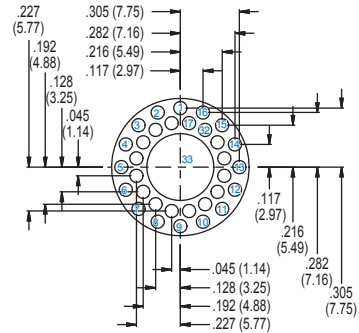
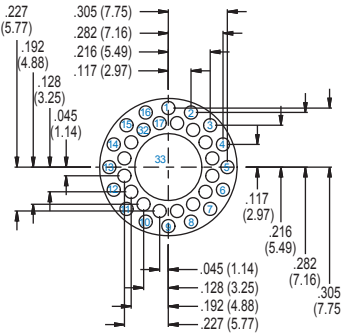
Straight PCB Footprints - Component Mounting Side of PCB



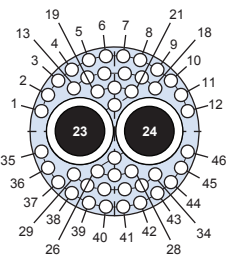
Insert Arrangement	Pin Connector	Socket Connector
--------------------	---------------	------------------



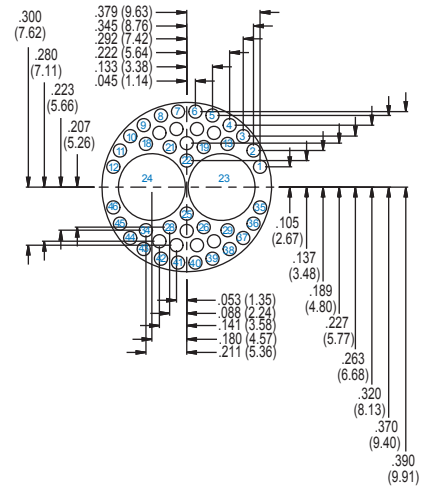
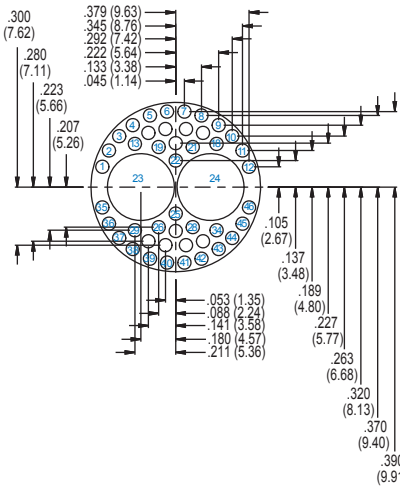
**Insert Arrangement
16-208, 18-208**
1 #8 Contacts
.182 (4.62) Max. Dia. Tail
32 #23 Contacts
.022 (0.71) Max. Dia. Tail



Series 801: **16-208**
Series 805: **18-208**



**Insert Arrangement
19-201, 21-201**
2 #8 Contacts
.182 (4.62) Max. Dia. Tail
44 #23 Contacts
.022 (0.71) Max. Dia. Tail



Series 801: **19-201**
Series 805: **21-201**

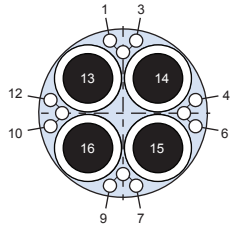
Dimensions in Inches (millimeters) are subject to change without notice.



Series 80 Mighty Mouse Technical Reference Combo Arrangements

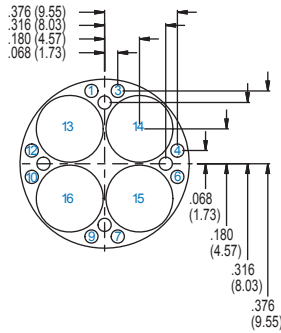
Straight PCB Footprints - Component Mounting Side of PCB

Insert Arrangement

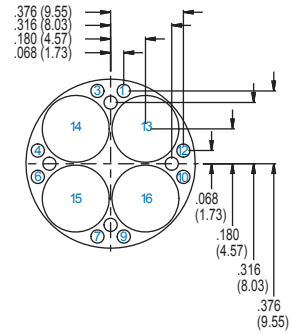


Insert Arrangement
19-202, 21-202
4 #8 Contacts
.182 (4.62) Max. Dia. Tail
12 #23 Contacts
.022 (0.71) Max. Dia. Tail

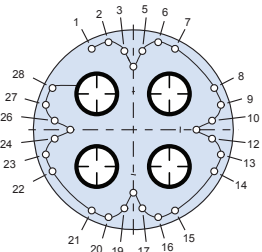
Pin Connector



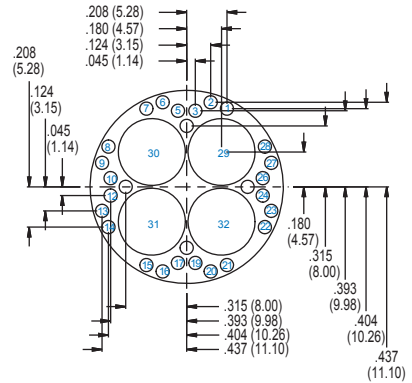
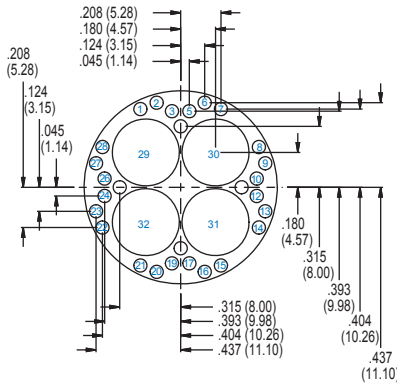
Socket Connector



Series 801: **19-202**
Series 805: **21-202**



Insert Arrangement
21-200, 23-200
4 #8 Contacts
.182 (4.62) Max. Dia. Tail
28 #23 Contacts
.022 (0.71) Max. Dia. Tail



Series 801: **21-200**
Series 805: **23-200**

Dimensions in Inches (millimeters) are subject to change without notice.

Series 80 Mighty Mouse Technical Reference Recommended Torque Values



Series 800 Recommended Torque Values						
Series 800	Coupling Torque		Jam Nut Tightening		Backshell Tightening	
	In-lbs.		In-lbs.		In-lbs.	
	Min.	Max.	Min.	Max.	Min.	Max.
5	16	20	20	25	12	16
6	18	22	20	25	14	18
7	20	24	20	25	16	20
8	20	24	20	25	16	20
9	20	24	25	30	16	20
10	20	24	25	30	16	20
12	20	24	25	30	16	20

Series 801, 802, 803, 804, 805 Recommended Torque Values							
Shell Size Series 801, 802, 803, 804	Shell Size Series 805	Coupling Torque		Jam Nut Tightening		Backshell Tightening	
		In-lbs.		In-lbs.		In-lbs.	
		Min.	Max.	Min.	Max.	Min.	Max.
5	-	16	20	20	25	12	16
6	8	18	22	20	25	14	18
7	9	20	24	20	25	16	20
8	10	22	26	20	25	18	22
9	11	24	28	20	25	20	24
10 & 11	12 & 13	26	30	25	30	22	26
12 & 13	15	32	36	25	30	28	32
14 & 16	18	38	42	25	30	28	32
15 & 17	19 & 21	40	44	25	30	28	32
19 & 21	23	48	52	25	30	28	32

Series 804 Recommended Mate/Demate Values	
Shell Size/Insert Arrangement	In-lbs.
5-3	11
6-4	11
6-7	12
7-10	12
8-13	13
9-19	14
10-26	16
12-37	18

Dimensions in Inches (millimeters) are subject to change without notice.



Series 80 Mighty Mouse Technical Reference 809-009 Complete Product Specification

Summary Performance Specifications

Current Rating (Maximum): Size #23 Contact: 5 A., Size #20 contact: 7.5 A., Size #16 contact: 13 A., Size #12 contact: 23 A.

Test Voltage (Dielectric Withstanding Voltage) Mated Connectors:

Size #23 contacts: 750 VAC RMS sea level, 400 VAC RMS 40,000 feet
 Size #20HD contacts: 1000 VAC RMS sea level, 400 VAC RMS 40,000 feet
 Size #20 contacts: 1800 VAC RMS sea level, 400 VAC RMS 40,000 feet
 Size #16 contacts: 1800 VAC RMS sea level, 1000 VAC RMS 40,000 feet
 Size #12 contacts: 1800 VAC RMS sea level, 1000 VAC RMS 40,000 feet

Insulation Resistance: 5000 megohms minimum

Contact Resistance:

Size #23 Contact: 70 millivolt drop at 5 A. test current
 Size #20 contact: 55 millivolt drop at 7.5 A. test current
 Size #16 contact: 49 millivolt drop at 13 A. test current
 Size #12 contact: 42 millivolt drop at 23 A. test current

Operating Temperature: -65° C. to +175° C.

Immersion, Mated: 1 meter water immersion for 1 hour (Series 803 splashproof only)

Shock: 300 g **Vibration:** 37 g **Magnetic Permeability:** 2.0 μ maximum

Please refer to the comprehensive Series 80 Product Specification for additional parameters and test methods. Filter and hermetic versions have performance specifications which differ from this information.

B

1 SCOPE

1.1 Scope. This specification covers performance requirements for Glenair Series 80 Mighty Mouse miniature environment resistant circular connectors.

1.2 Description. Series 80 connectors with crimp, rear-release or non-removable printed circuit board contacts, environmental sealing, aluminum and corrosion resistant steel, threaded, bayonet and quick-disconnect coupling. Series 80 connectors with M39029 type contacts are intended for applications where standard MS circular connectors may be too large or too heavy. Interfacial seal and rear grommet provide environmental protection. Beryllium copper contact retention clips. Integral shield termination platform provides direct termination of cable shield to connector without the need for adapters.

Series 800	Threaded coupling, UNF fine threads, shell sizes 5 through 12
Series 801	Double-start stub ACME threaded coupling, shell sizes 5 through 21
Series 802	Threaded coupling, severe environment, dynamic o-ring seal, 316L stainless steel, shell sizes 5 through 21. Rated for continuous immersion at up to 3500 PSI.
Series 803	Bayonet coupling, light to medium duty, shell sizes 5 through 14.
Series 804	Quick-disconnect, shell sizes 5 through 15.
Series 805	Triple-start stub ACME threaded coupling, EMI spring, ratchet anti de-coupling mechanism, shell sizes 8 through 23.

2 APPLICABLE DOCUMENTS

2.1 Industrial Standards.

EIA-364 Electrical Connector/Socket Test Procedures Including Environmental Classifications

IEC-60512	Electromechanical Components for Electronic Equipment; Basic Testing Procedures and Measuring Methods Part 1: General
IEC-60529	Degrees of protection Provided By Enclosures (IP Code)
IEC 60068	Environmental Testing Part 1: General and Guidance

Dimensions in Inches (millimeters) are subject to change without notice.

Series 80 Mighty Mouse Technical Reference 809-009 Complete Product Specification



2.2 Military Standards and Specifications

MIL-STD-810	Test Method Standard for Environmental Engineering Considerations and Laboratory Tests
MIL-DTL-38999	Connectors, Electrical, Circular, Miniature, High Density, Quick Disconnect (Bayonet, Threaded, AND breech Coupling), Environment Resistant, Removable Crimp and Hermetic Solder Contacts, General Specification For

2.3 Aerospace Standards

SAE AS39029	Contacts, Electrical Connector, General Specification For
-------------	---

3 REQUIREMENTS

3.1 Materials

Materials and Finishes

Aluminum Shell, Barrel, Jam Nut and Coupling Nut	Aluminum Alloy 6061-T6 Code C: black anodize per MIL-A-8625 Code M: electroless nickel per ASTM B-733 Code MT: Nickel fluorocarbon polymer Code NF: Olive drab cadmium per SAE-AMS-QQ-P-416 over electroless nickel Code ZNU: Black zinc nickel over electroless nickel
Stainless Steel Shell, Barrel Coupling and Jam Nut	Stainless steel per AMS-QQ-S-763, passivated per SAE-AMS-QQ-P-35
Insulators	High Grade Rigid Dielectric
Contact Retention Clip	Beryllium copper, heat-treated, unplated
Grommet, Peripheral Seal and Interfacial Seal	High performance silicone/fluorosilicone elastomer
Contacts	Copper alloy, 50 microinches gold plated per MIL-DTL-45204 over nickel underplating
Socket Contact Hood	Stainless steel, passivated per AMS-QQ-P-35
Adhesives	Silicone and epoxy
Potting Compound, PCB and Solder Cup Versions	Environmental Connectors: epoxy Waterblocked connectors (Glenair modification code 518): RTV silicone

3.2 Performance requirements.

DESCRIPTION	REQUIREMENT	PROCEDURE	
Contact resistance, copper alloy contacts	SAE AS39029 Table 5		
	Wire Size	Test Current	EIA-364-06 IEC 60512-2-1 Test current in Amperes. Voltage drop in millivolts. Silver-coated copper wire, +25°C.
	8	46	
	10	33	
	12	23	
	14	17	
	16	13	
	20	7.5	
	22	5	
	24	3	
	26	2	
28	1.5		

Dimensions in Inches (millimeters) are subject to change without notice.



Series 80 Mighty Mouse Technical Reference 809-009 Complete Product Specification

B

DESCRIPTION	REQUIREMENT	PROCEDURE														
Low level contact resistance	SAE AS39029 Table 4	EIA-364-23 25° C														
	<table border="1" style="width: 100%; border-collapse: collapse;"> <thead> <tr> <th style="width: 50%;">Wire Size</th> <th style="width: 50%;">Max. Milliohms</th> </tr> </thead> <tbody> <tr><td style="text-align: center;">16</td><td style="text-align: center;">5</td></tr> <tr><td style="text-align: center;">20</td><td style="text-align: center;">9</td></tr> <tr><td style="text-align: center;">22</td><td style="text-align: center;">15</td></tr> <tr><td style="text-align: center;">24</td><td style="text-align: center;">20</td></tr> <tr><td style="text-align: center;">26</td><td style="text-align: center;">31</td></tr> <tr><td style="text-align: center;">28</td><td style="text-align: center;">50</td></tr> </tbody> </table>		Wire Size	Max. Milliohms	16	5	20	9	22	15	24	20	26	31	28	50
	Wire Size		Max. Milliohms													
	16		5													
	20		9													
	22		15													
	24		20													
26	31															
28	50															
Insulation resistance	5000 megohms minimum	EIA-364-21 IEC-60512-3-1 500 volts DC ± 50 volts. Test between adjacent contacts and contacts to shell.														
Dielectric withstanding voltage, sea level (See 809-099 for combo insert test voltages)	No breakdown or flashover #23 contacts 750 volts #20HD contacts 1000 volts #16 contacts 1800 volts #12 contacts 1800 volts	EIA-364-20 IEC-60512-4-1 AC rms 60 Hz. 2 Sec min. dwell. Unmated or mated														
Dielectric withstanding voltage, 40,000 feet altitude (See 809-099 for combo insert test voltages)	No breakdown or flashover #23 contacts 400 volts #20HD contacts 400 volts #16 contacts 1000 volts #12 contacts 1000 volts	EIA-364-20 IEC-60512-4-1 AC rms 60 Hz. 2 Sec min. dwell. mated condition														
Current carrying capacity	<table border="1" style="width: 100%; border-collapse: collapse;"> <thead> <tr> <th style="width: 50%;">Contact Size</th> <th style="width: 50%;">Current (Amps)</th> </tr> </thead> <tbody> <tr><td style="text-align: center;">12</td><td style="text-align: center;">23</td></tr> <tr><td style="text-align: center;">16</td><td style="text-align: center;">13</td></tr> <tr><td style="text-align: center;">20</td><td style="text-align: center;">7.5</td></tr> <tr><td style="text-align: center;">23</td><td style="text-align: center;">5</td></tr> </tbody> </table>	Contact Size	Current (Amps)	12	23	16	13	20	7.5	23	5	EIA-364-70 Method 1 IEC-60512-5 Test 9b				
Contact Size	Current (Amps)															
12	23															
16	13															
20	7.5															
23	5															
Shell-to-shell conductivity, Initial	The maximum voltage drop across a mated pair shall not exceed the values shown. <table border="1" style="width: 100%; border-collapse: collapse;"> <thead> <tr> <th style="width: 50%;">Series</th> <th style="width: 50%;">Voltage Drop (mV)</th> </tr> </thead> <tbody> <tr><td style="text-align: center;">800</td><td style="text-align: center;">5</td></tr> <tr><td style="text-align: center;">801</td><td style="text-align: center;">5</td></tr> <tr><td style="text-align: center;">802</td><td style="text-align: center;">5</td></tr> <tr><td style="text-align: center;">804</td><td style="text-align: center;">2.5</td></tr> <tr><td style="text-align: center;">805</td><td style="text-align: center;">2.5</td></tr> </tbody> </table>	Series	Voltage Drop (mV)	800	5	801	5	802	5	804	2.5	805	2.5	EIA-364-83 IEC-60512-2-6 Electroless nickel plated connectors.		
Series	Voltage Drop (mV)															
800	5															
801	5															
802	5															
804	2.5															
805	2.5															

Dimensions in Inches (millimeters) are subject to change without notice.

Series 80 Mighty Mouse Technical Reference 809-009 Complete Product Specification



DESCRIPTION	REQUIREMENT	PROCEDURE																				
Shell-to-shell conductivity, after conditioning (48 hours salt spray)	The maximum voltage drop across a mated pair shall not exceed the values shown. <table border="1"> <thead> <tr> <th>Series</th> <th>Voltage Drop (mV)</th> </tr> </thead> <tbody> <tr> <td>800</td> <td>10</td> </tr> <tr> <td>801</td> <td>10</td> </tr> <tr> <td>802</td> <td>10</td> </tr> <tr> <td>804</td> <td>5</td> </tr> <tr> <td>805</td> <td>5</td> </tr> </tbody> </table>	Series	Voltage Drop (mV)	800	10	801	10	802	10	804	5	805	5	EIA-364-83 IEC-60512-2-6 Electroless nickel plated connectors.								
Series	Voltage Drop (mV)																					
800	10																					
801	10																					
802	10																					
804	5																					
805	5																					
Shielding effectiveness, low frequency (100MHz-1000 MHz)	Series 800, 801, 804, 805 <table border="1"> <thead> <tr> <th>Frequency</th> <th>Min. dB Attenuation</th> </tr> </thead> <tbody> <tr> <td>100 MHz</td> <td>75</td> </tr> <tr> <td>200 MHz</td> <td>70</td> </tr> <tr> <td>300 MHz</td> <td>65</td> </tr> <tr> <td>400 MHz</td> <td>63</td> </tr> <tr> <td>800 MHz</td> <td>58</td> </tr> <tr> <td>1000 MHz</td> <td>55</td> </tr> </tbody> </table>	Frequency	Min. dB Attenuation	100 MHz	75	200 MHz	70	300 MHz	65	400 MHz	63	800 MHz	58	1000 MHz	55	MIL-DTL-38999 para. 4.5.28.1 Electroless nickel plated connectors						
Frequency	Min. dB Attenuation																					
100 MHz	75																					
200 MHz	70																					
300 MHz	65																					
400 MHz	63																					
800 MHz	58																					
1000 MHz	55																					
Shielding effectiveness, high frequency (1Ghz-10GHz)	Series 800, 801, 804 <table border="1"> <thead> <tr> <th>Frequency</th> <th>Min. dB Attenuation</th> </tr> </thead> <tbody> <tr> <td>1 GHz</td> <td>55</td> </tr> <tr> <td>3 GHz</td> <td>50</td> </tr> <tr> <td>6 GHz</td> <td>45</td> </tr> <tr> <td>10 GHz</td> <td>40</td> </tr> </tbody> </table> Series 805 <table border="1"> <thead> <tr> <th>Frequency</th> <th>Min. dB Attenuation</th> </tr> </thead> <tbody> <tr> <td>1 GHz</td> <td>85</td> </tr> <tr> <td>3 GHz</td> <td>69</td> </tr> <tr> <td>6 GHz</td> <td>66</td> </tr> <tr> <td>10 GHz</td> <td>65</td> </tr> </tbody> </table>	Frequency	Min. dB Attenuation	1 GHz	55	3 GHz	50	6 GHz	45	10 GHz	40	Frequency	Min. dB Attenuation	1 GHz	85	3 GHz	69	6 GHz	66	10 GHz	65	EIA-364-66 IEC-60512-23-3 Electroless nickel plated connectors
Frequency	Min. dB Attenuation																					
1 GHz	55																					
3 GHz	50																					
6 GHz	45																					
10 GHz	40																					
Frequency	Min. dB Attenuation																					
1 GHz	85																					
3 GHz	69																					
6 GHz	66																					
10 GHz	65																					
Vibration, sine Series 800, 801, 803, 804, 805	No discontinuity of greater than 1 microseconds, no cracking, breaking or loosening of parts, plug shall not become disengaged from receptacle.	MIL-DTL-38999 30 g's, 3 axes, 4 hours per axis																				
Vibration, random Series 800, 801, 803, 804, 805	No discontinuity of greater than 1 microseconds, no cracking, breaking or loosening of parts, plug shall not become disengaged from receptacle.	EIA-364-28 Test Condition V Letter I IEC-60512-6-4 100 milliamp test current 50- 2,000 Hz 37.80 g rms																				

Dimensions in Inches (millimeters) are subject to change without notice.



Series 80 Mighty Mouse Technical Reference 809-009 Complete Product Specification

B

DESCRIPTION	REQUIREMENT	PROCEDURE																		
Gunfire vibration Series 800, 801, 803, 804, 805	No discontinuity of greater than 1 microsecond, no cracking, breaking or loosening of parts, plug shall not become disengaged from receptacle.	MIL-STD-810 Method 519																		
Mechanical shock Series 800, 801, 803, 804, 805	No discontinuity of greater than 1 microsecond, no cracking, breaking or loosening of parts, plug shall not become disengaged from receptacle.	EIA-364-27 Condition D IEC-60512-6-3 3 shocks X 3 axes X 2 directions = 18 shocks 2941 m/s ² (300 g's), 3 ms, half-sine																		
Mechanical durability, at ambient temperature	No mechanical or electrical defects detrimental to the operation of the connector after the specified number of cycles of mating and unmating. Series 800, 801, 804 2000 Cycles 805 500 cycles Series 803 Aluminum alloy 100 cycles Stainless steel 250 cycles	EIA-364-09 IEC-60512-5 Test 9a																		
Solderability, PC tail contacts	95% solder coverage. Smooth, bright and even finish.	EIA-364-52 Category 3 IEC-60512-12-1 IEC-68-2-20																		
Contact retention	<table border="1" style="width: 100%; border-collapse: collapse;"> <thead> <tr> <th style="text-align: center;">Contact Size</th> <th style="text-align: center;">Min.Pounds</th> <th style="text-align: center;">Min.Newtons</th> </tr> </thead> <tbody> <tr> <td style="text-align: center;">23</td> <td style="text-align: center;">6</td> <td style="text-align: center;">27</td> </tr> <tr> <td style="text-align: center;">20</td> <td style="text-align: center;">15</td> <td style="text-align: center;">67</td> </tr> <tr> <td style="text-align: center;">20HD</td> <td style="text-align: center;">9</td> <td style="text-align: center;">40</td> </tr> <tr> <td style="text-align: center;">16</td> <td style="text-align: center;">25</td> <td style="text-align: center;">111</td> </tr> <tr> <td style="text-align: center;">12</td> <td style="text-align: center;">25</td> <td style="text-align: center;">111</td> </tr> </tbody> </table>	Contact Size	Min.Pounds	Min.Newtons	23	6	27	20	15	67	20HD	9	40	16	25	111	12	25	111	EIA-364-29
Contact Size	Min.Pounds	Min.Newtons																		
23	6	27																		
20	15	67																		
20HD	9	40																		
16	25	111																		
12	25	111																		
Contact engaging and separation force	SAE AS39029 Table 9	EIA-364-37																		
Demating force (Series 804)	Series 804 quick-disconnect connectors <table border="1" style="width: 100%; border-collapse: collapse;"> <thead> <tr> <th style="text-align: center;">Contact Arrangement</th> <th style="text-align: center;">Pounds</th> </tr> </thead> <tbody> <tr> <td style="text-align: center;">5-3</td> <td style="text-align: center;">11</td> </tr> <tr> <td style="text-align: center;">6-4</td> <td style="text-align: center;">11</td> </tr> <tr> <td style="text-align: center;">6-7</td> <td style="text-align: center;">12</td> </tr> <tr> <td style="text-align: center;">7-10</td> <td style="text-align: center;">12</td> </tr> <tr> <td style="text-align: center;">8-13</td> <td style="text-align: center;">13</td> </tr> <tr> <td style="text-align: center;">9-19</td> <td style="text-align: center;">14</td> </tr> <tr> <td style="text-align: center;">10-26</td> <td style="text-align: center;">16</td> </tr> </tbody> </table>	Contact Arrangement	Pounds	5-3	11	6-4	11	6-7	12	7-10	12	8-13	13	9-19	14	10-26	16			
Contact Arrangement	Pounds																			
5-3	11																			
6-4	11																			
6-7	12																			
7-10	12																			
8-13	13																			
9-19	14																			
10-26	16																			

Dimensions in Inches (millimeters) are subject to change without notice.

Series 80 Mighty Mouse Technical Reference 809-009 Complete Product Specification



DESCRIPTION	REQUIREMENT	PROCEDURE																																													
Insert retention	Unmated connectors shall retain their inserts in their proper location in the shell and there shall be no evidence of cracking, breaking, separation from the shell, or loosening of parts.	EIA-364-35																																													
	Shell Size																																														
	<table border="1"> <thead> <tr> <th>Series 800 803 804</th> <th>Series 801</th> <th>Series 805</th> <th>Minimum Force in Pounds</th> </tr> </thead> <tbody> <tr><td>5</td><td>5</td><td></td><td>25</td></tr> <tr><td>6</td><td>6</td><td>8</td><td>25</td></tr> <tr><td>7</td><td>7</td><td>9</td><td>25</td></tr> <tr><td>8</td><td>8</td><td>10</td><td>25</td></tr> <tr><td>9</td><td>9</td><td>11</td><td>25</td></tr> <tr><td>10</td><td>10</td><td>12</td><td>25</td></tr> <tr><td>12</td><td>13</td><td>15</td><td>25</td></tr> <tr><td>14</td><td>16</td><td>18</td><td>40</td></tr> <tr><td>15</td><td>17</td><td>19</td><td>50</td></tr> <tr><td>21</td><td>23</td><td>80</td><td></td></tr> </tbody> </table>		Series 800 803 804	Series 801	Series 805	Minimum Force in Pounds	5	5		25	6	6	8	25	7	7	9	25	8	8	10	25	9	9	11	25	10	10	12	25	12	13	15	25	14	16	18	40	15	17	19	50	21	23	80		
	Series 800 803 804		Series 801	Series 805	Minimum Force in Pounds																																										
	5		5		25																																										
	6		6	8	25																																										
	7		7	9	25																																										
	8		8	10	25																																										
	9		9	11	25																																										
	10		10	12	25																																										
12	13	15	25																																												
14	16	18	40																																												
15	17	19	50																																												
21	23	80																																													
Residual magnetism	2 μ maximum.	EIA-364-54																																													

ENVIRONMENTAL

Operating temperature	-65° to +175°C -65° to +200°C Hermetic	
Water immersion, mated	No evidence of water penetration into mated connectors.	MIL-STD-810F Method 512.4 1 meter immersion 1 hour
Ingress protection, open face panel mount receptacles with non-removable printed circuit board or solder cup contacts, with Glenair Modification Code 518 sealing process	IP67	IEC 60529
Humidity	No deterioration which will adversely affect the connector.	MIL-DTL-38999 4.5.26

Dimensions in Inches (millimeters) are subject to change without notice.



Series 80 Mighty Mouse Technical Reference 809-009 Complete Product Specification

B

DESCRIPTION	REQUIREMENT	PROCEDURE
Temperature cycling	No mechanical damage or loosening of parts. Following thermal shock, connector shall meet contact resistance, DWV, insulation resistance and shell-to-shell resistance requirements.	EIA-364-32 Test Condition IV IEC-60512-11-4. 5 cycles consisting of -65° C 30 minutes, +25° C 5 minutes max., +150° C 30 minutes, +25° C 5 minutes max.
Salt Spray	No exposure of base metal.	EIA-364-26 IEC 60512-11-6 Code M: 48 hours Code MT: 500 hours Code NF: 500 hours Code ZN: 500 hours Code ZNU: 500 hours
Sand and dust	Mated connectors shall withstand the effects of blowing sand and dust	MIL-STD-810, Method 510
Fungus	Connector materials shall be fungus inert.	MIL-STD-810, Method 508
Fluid immersion	No visible damage from immersion in various fuels and oils. Connector shall meet coupling torque and dielectric withstanding voltage requirements.	EIA-364-10
Altitude immersion	No evidence of moisture on connector interface or contacts. Connector shall meet dielectric withstanding voltage and insulation resistance	EIA-364-03 40,000 feet simulated altitude with additional supplemental potting for all series except 805
Outgassing	ASTM E595 1.0% maximum Total Mass Loss 0.1% maximum Total Collected Volatile Material (Special oven bake or thermal vacuum outgassing is required)	ASTM-E595

Dimensions in Inches (millimeters) are subject to change without notice.



Series 80 Connectors for Space Flight

The small size and reduced weight of the Series 80 connector make it an excellent choice for space instrumentation. Series 80 connectors are available with special screening and outgassing for satellites and space vehicles. This section explains NASA guideline for connector selection, screening and outgassing. This section also explains how to order connectors screened to meet NASA EEE-INST-002.

B

Five things you should know about Series 80 connectors for space flight

1 Material Selection: What materials are approved for space-grade connectors? What materials are prohibited? Does the Series 80 connector contain space-approved materials?

2 Outgassing: What is outgassing, why is it important, and how does it affect connector selection? Is special processing required to meet outgassing requirements?

3 Screening: What is NASA screening and what level of screening is required?

4 Magnetic permeability: Are nonmagnetic connectors required?

5 Cryogenic exposure: Are these connectors suitable for -200° C. exposure?

How To Order Space Grade Series 80 Connectors

Step 1: Find a Standard Part Number

Electroless nickel plated shells are preferred for space flight. Cadmium plating is prohibited.

Step 2: Select a NASA Screening Level

The term "Screening Level" refers to the final inspection procedure.

Level 1 for mission-critical highest reliability

Level 2 for high reliability

Level 3 for standard reliability

Step 3: Choose Outgassing

A detailed explanation of outgassing is on the following pages. The fluorosilicone rubber seals commonly used on aerospace-grade connectors such as MIL-DTL-38999 and Series 80 connectors, along with certain bonding agents and inks, do not meet NASA outgassing requirements unless the connector is specially processed. Glenair outgassing tests have shown oven baking or thermal vacuum outgassing processing are sufficient to reduce outgassing levels to NASA standards. Oven baking is more economical than thermal vacuum outgassing.

Step 4: Select the Mod Code that Matches the Desired Level of Screening and Outgassing

Use the following table to choose the right modification code. Add the mod code to the connector part number. Example: 801-007-16M6-7PA-[429j](#)

NASA Screening and Outgassing Modification Codes

NASA Screening Level	Special Screening Only	Special Screening Plus Outgassing	
		Thermal Outgassing	Thermal Vacuum Outgassing
Level 1 Highest Reliability	Mod 429B	Mod 429J 48 Hours at 175°C	Mod 429C 24 Hours at 125°C
Level 2 High Reliability	Mod 429	Mod 429K 48 Hours at 175°C	Mod 429A 24 Hours at 125°C
Level 3 Standard Reliability	(Use standard part number)	Mod 186S 48 Hours at 125°C	Mod 186M 24 Hours at 125°C

Dimensions in Inches (millimeters) are subject to change without notice.



Series 80 Mighty Mouse Technical Reference Guidelines for Space-Grade Applications

Series 80 Connectors for Space Flight

B

1 Material Selection: *What materials are approved for space flight? What materials are restricted? How to choose the right materials for Series 80 connectors.*

What materials are approved for space flight?

Section C2 "Connectors and Contacts" of NASA EEE-INST-002 provides guidelines for materials used in connectors for space flight applications. Aluminum is a preferred material for connector components, and electroless nickel is the preferred finish. Beryllium copper is a preferred material for contacts. 50 microinch minimum gold plating is the preferred contact finish. LCP is a preferred material for dielectric insulating materials.

What materials are prohibited?

100% tin plating shall not be used. Pure tin can grow "whiskers" which can lead to catastrophic electrical short circuits. Silver plating is prohibited because of corrosion concerns. Cadmium is prohibited because it is unstable in vacuum environments.

Specifying Series 80 connectors for space flight

Standard Series 80 connectors meet NASA guidelines for material selection. Specify "M" for aluminum shells with electroless nickel finish. The table below lists the Series 80 materials.

2 Outgassing: *What is outgassing and how does it affect connector selection? Is special processing required to meet outgassing requirements?*

What is outgassing?

Plastic and rubber materials give off gaseous molecules. For example, the smell inside a new car is caused by polymer outgassing. Heat and vacuum increase the rate of diffusion. In a spacecraft the gases coming off polymers can contaminate optical surfaces and instruments. The result is degraded performance.

How is outgassing measured?

The space industry has adopted a standardized test procedure, [ASTM E 595](#), to evaluate out-gassing properties of polymers. Small samples of material are heated to 125° C. at a vacuum of 5×10^{-5} torr for 24 hours.

Then the sample is weighed to calculate the **Total Mass Loss** (TML). The TML cannot exceed 1.00% of the total initial mass. During the test, outgassed matter condenses on a cooled collector plate. The quantity of outgassed matter is calculated to determine the **Collected Volatile Condensable Material** (CVCM). The CVCM cannot exceed 0.10% of the original specimen mass.

Is special outgassing processing necessary on Series 80 connectors?

NASA states "A bakeout for outgassing control is driven by the application and may be required where tight contamination control must be maintained." NASA generally recommends that military circular connectors undergo outgassing processing. This processing can be performed by Glenair; however, some customers prefer to fabricate higher level subassemblies before outgassing processing.

Dimensions in Inches (millimeters) are subject to change without notice.

Outgassing At-a-Glance

- 1** Fluorosilicone rubber components and encapsulants exceed NASA outgassing limits.
- 2** NASA recommends outgassing processing to reduce outgassing to acceptable levels.
- 3** An inexpensive oven bakeout has better results than the more costly thermal vacuum outgassing. The higher temperature of the oven bakeout is more effective at removing volatile materials. However, both methods assure compliance with outgassing limits.
- 4** Glenair Mod 429 codes provide an easy ordering solution, whatever the outgassing option.

Series 80 Mighty Mouse Technical Reference Guidelines for Space-Grade Applications



Outgassing Properties of Materials used in Series 80 connectors				
Component	Material	TML %	TCVML %	Test Reference
Front and Rear Insulator	LCP	0.07	0.0	Glenair test at Pacific Testing Laboratories 07-25-2017
Rear Grommet Interfacial Seal Peripheral Seal	Blended flourosilicone/silicone elastomer, 30% silicone per ZZ-R-765, 70% flourosilicone per MIL-R-25988	0.48	0.14	Glenair testing conducted at NuSil Technology 02/27/2001
Front-To-Rear Insulator Bonding Material	Eccobond 104 A/B	0.52	0.08	Emerson & Cuming Data Sheet
Insulator-to-Rubber Bonding Material	DC3145 RTV, per MIL-A-46146	2.52	0.58	NASA Test GSC28621
Coupling Nut Retainer	Torlon® 4203L	1.88	0.01	Glenair Test at NuSil Technology 03-12-2003
Coupling Nut Epoxy	Hysol C9-4215	0.48	0.01	Glenair Test
O-Ring	Flourosilicone Rubber	0.32	0.03	NASA Test GSFC8687
White Epoxy Ink for Silkscreening	Markem 7224 White	0.49	0.03	NASA Test #GSC19899
Black Ink for Part Number Identification	Videojet #16-5600Q	TBD	TBD	
Potting Compound, Solder Cup and PC Tail Connectors	Hysol C9-4215	0.48	0.01	Glenair Test
Potting Compound, Solder Cup and PC Tail Connectors	DC3145 RTV, per MIL-A-46146	2.52	0.58	NASA Test GSC28621
Potting Compound, Filter Receptacles	Stycast epoxy, 2850FT/Catalyst 11	0.29	0.02	Mfgr Data Sheet

Dimensions in Inches (millimeters) are subject to change without notice.



Series 80 Mighty Mouse Technical Reference Guidelines for Space-Grade Applications

3 Screening: What is NASA screening and what level of screening is required?

What is NASA screening?

NASA specification EEE-INST-002 provides instructions on selecting, screening and qualifying parts for use on NASA GSFC space flight projects. Table 2A in the NASA specification contains inspection instructions for circular connectors including MIL-DTL-38999. Series 80 connectors are not mentioned in the NASA spec but are similar to D38999 connectors, so Table 2A applies by similarity to Series 80 connectors.

What screening level is required?

NASA defines three levels of screening: level 1 for highest reliability, level 2 for high reliability, and level 3 for standard reliability. Level 3 equates to standard lot acceptance inspection. Levels 1 and 2 call for additional testing.

What about qualification requirements?

Projects using connectors covered by military specifications are typically able to waive qualification testing. The Series 80 connector has been rigorously tested by Glenair but is not covered by a military specification. Projects considering using the Series 80 for space flight should obtain guidance from the overseeing space agency regarding the suitability of existing Glenair Series 80 test data, available on request.

NASA EEE-INST-002 Screening Requirements		
Inspection/ Test	NASA Level 1	NASA Level 2
Visual Inspection	100%	100%
Mechanical	2 pcs.	2 pcs.
Voltage (DWV)	2 pcs.	2 pcs.
Insulation Resistance	2 pcs.	2 pcs.
Contact Engagement and Separation Force (socket contacts)	2 pcs.	N/A
Coupling Force	2 pcs.	N/A
Air leakage (Hermetic connectors only)	100%	100%
Solderability/Resistance to Soldering Heat	2 pcs.	N/A
1. NASA screening requirements from Table 2A of EEE-INST-002 "Screening Requirements for Circular Connectors..."		

4 Magnetic permeability: Are nonmagnetic connectors required?

Spacecraft designers generally avoid the use of ferromagnetic materials, which can become magnetized and can interfere with sensitive instruments. Series 80 aluminum shell connectors have a maximum permeability of 2 mu. Hermetic Series 80 connector pins are iron alloy, a highly magnetic material.

5 Cryogenic exposure: Space programs sometimes need cryogenic connectors capable of withstanding temperatures as low as -270° C. Can Series 80 connectors operate satisfactorily at this temperature?

Series 80 connectors are rated to -65° C. Glenair does not have data to validate these connectors for cryogenic applications. EEE-INST-002 states "...experience has proven it is possible for (non-certified) connector types to be used successfully at cryogenic temperatures. It is recommended that connector samples should be subjected to five cycles of cryogenic temperature... (followed by examination for cracks and DWV)".

Dimensions in Inches (millimeters) are subject to change without notice.

Series 80 Mighty Mouse Technical Reference Modification Codes and Material/Finish Codes



Series 80 Modification Codes			
Modification Code	Description	Application Notes	Part Number Example
MOD-186	Oven bake connector for 48 hours at 400° F.	Intended for space flight applications. See Guidelines for Space-Grade Applications.	800-006-06M5-3SN- 186
MOD-429	Special NASA high-reliability screening and processing	Use this mod code on all Series 80 connectors. See Guidelines for Space-Grade Applications.	801-010-02M13-37PB- 429J
MOD-489	Solder dip PC tails in 63/37 tin-lead	For use with all connectors with PC tail contacts.	801-011-02M7-10PA- 489
MOD-501	Replace spanner-style jam nut w/hex-style jam nut w/ safety wire holes	Use this mod code on all Series 80 rear panel mount jam nut connectors (style 07).	800-010-07M6-4SN- 501
MOD-518	Waterblock sealing of printed circuit board and solder cup receptacles. Sealing meets 10 ⁻⁴ cc/second maximum helium leak rate at 15 PSI pressure differential following three cycles of thermal shock.	For use on all panel mount receptacles with printed circuit board or solder cup contacts.	801-011-07M9-19SA- 518
MOD-864	Provides five additional panel thickness options: -864A = .125 thick panel -864B = .150 thick panel -864C = .175 thick panel -864D = .200 thick panel -864E = .225 thick panel	Use this mod code on all Series 80 rear panel mount jam nut connectors (style 07).	801-011-07M9-19SA- 864

Standard Material and Finish Codes							
Code	Material	Finish	Finish Specification	Hrs. Salt Spray	Electrical Conductivity	Operating Temp. Range	RoHS Compliance
AB	Marine Bronze	Unplated		1000	Conductive	-65 to +200°C	✓
AL	Aluminum	AlumiPlate	MIL-DTL-83488	1000	Conductive	-65 to +175°C	✓
C	Aluminum	Anodize, Black	AMS-A-8625	48	Non-Conductive	-65 to +175°C	✓
E	Aluminum	Chem Film	MIL-DTL-5541	168	Conductive	-65 to +175°C	
G2	Aluminum	Anodize, Hardcoat	AMS-A-8625	336	Non-Conductive	-65 to +200°C	✓
JF	Aluminum	Cadmium, Gold	SAE-AMS-QQ-P-416	1000	Conductive	-65 to +175°C	
LF	Aluminum	Cadmium, Clear	SAE-AMS-QQ-P-416	1000	Conductive	-65 to +175°C	
M	Aluminum	Electroless Nickel	AMS-C-26074	48	Conductive	-65 to +200°C	✓
ME	Aluminum	Electroless Nickel	AMS-C-26074	96	Conductive	-65 to +200°C	✓
MT	Aluminum	Nickel-PTFE	AMS2454	500	Conductive	-65 to +175°C	✓
NC	Aluminum	Zinc-Cobalt, Olive Drab	ASTM B 840	350	Conductive	-65 to +175°C	
NF	Aluminum	Cadmium, Olive Drab	SAE-AMS-QQ-P-416	500	Conductive	-65 to +175°C	
P	Stainless Steel	Electrodeposited Nickel	SAE-AMS-QQ-N-290	500	Conductive	-65 to +200°C	✓
UC	Aluminum	Zinc-Cobalt, Black	ASTM B 840	350	Conductive	-65 to +175°C	
UCR	Aluminum	Zinc-Cobalt, Black (RoHS)	ASTM B 840	350	Conductive	-65 to +175°C	✓
Z1	Stainless Steel	Passivate	SAE-AMS-QQ-P-35	1000	Conductive	-65 to +200°C	✓
Z2	Aluminum	Gold	MIL-DTL-45204	48	Conductive	-65 to +200°C	✓
ZC	Stainless Steel	Zinc-Cobalt, Black	ASTM-B840		Conductive	-65 to +175°C	
ZCR	Stainless Steel	Zinc-Cobalt, Black (RoHS)	ASTM-B840		Conductive	-65 to +175°C	✓
ZL	Stainless Steel	Electrodeposited Nickel	SAE-AMS-QQ-N-290	1000	Conductive	-65 to +200°C	✓
ZM	Stainless Steel	Electroless Nickel	AMS-C-26074		Conductive	-65 to +200°C	✓
ZMT	Stainless Steel	Nickel-PTFE	AMS2454	1000	Conductive	-65 to +175°C	✓
ZN	Aluminum	Zinc-Nickel, Olive Drab	ASTM B841	500	Conductive	-65 to +175°C	
ZNU	Aluminum	Zinc-Nickel, Black	ASTM B841	500	Conductive	-65 to +175°C	
ZR	Aluminum	Zinc-Nickel, Black	ASTM B841	500	Conductive	-65 to +175°C	✓
ZU	Stainless Steel	Cadmium, Black	SAE-AMS-QQ-P-416	1000	Conductive	-65 to +175°C	
ZW	Stainless Steel	Cadmium, Olive Drab	SAE-AMS-QQ-P-416	2000	Conductive	-65 to +175°C	

Dimensions in Inches (millimeters) are subject to change without notice.

SERIES 80

MIGHTY MOUSE



series 800 light weight connectors with UN thread and crimp rear release contacts.



Glenair series 800 Mighty Mouse Connectors are ideally suited for use in applications where weight is a significant factor. Designed for use with test equipment and instrumentation, the Series 800 UNF thread connector is available with solder cup, PCB or insulated wire. Every connector incorporates crimp rear release contacts and are available with integral band platform or with accessory threads for attachment of backshells or strain reliefs.



Glenair®

Glenair, Inc.
1211 Air Way
Glendale, CA
91201-2497
818-247-6000
sales@glenair.com
www.glenair.com

Series 800 Mighty Mouse UN Mating Thread Table of Contents and Introduction



Series 800

PRODUCT SELECTION GUIDE



Series 800 Plug with Crimp Removable Contacts

Available with hex or knurled coupling nuts. The integral shield termination platform accepts heat-shrink boots (ordered separately). select accessory threads for use with a variety of strain relief and backshell accessory options.

Page C-8



Series 800 Receptacle with Crimp Removable Contacts

Jam-nut, square flange and in-line versions available. Integral shield termination platform accepts heat-shrink boots (ordered separately), or select accessory threads for use with a variety of strain relief and backshell accessory options. Contacts are crimp-type and are packaged with the connector.

Page C-10



Series 800 Receptacle with Solder Cup or PC Tail Contacts

Panel mount connectors feature gold plated, factory-installed nonremoveable contacts. Choose printed circuit terminals for attachment to flex circuits or rigid boards, or choose solder cup contacts for direct wire termination. Connectors are potted with epoxy for general purpose applications. Connector is backpotted and paralyene compatible. Open face water tight version, also available, is leak-tested versions for 1 meter water immersion.

Page C-14



Series 800 PCB Mount Right Angle Header Receptacle

Supplied with factory-installed, non-removable PC tail contacts for attachment to rigid boards or flex circuits. Includes threaded inserts for attachment to PC board. Epoxy-sealed and paralyene compatible

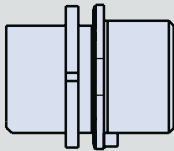
Page C-17



Series 800 PCB Hermetic Receptacle

Miniaturize glass-sealed hermetic receptacle connectors are available with solder cup or PC tail contacts. Jam-nut, square flange or solder mount versions available. Contacts are gold plated iron alloy. 100% tested to meet 1×10^{-7} cc/sec helium leakage.

Page C-22



Series 800 Bulkhead Feed-Thru Receptacle Connector

Jam-nut mount, shell sizes 5 to 12. This connector mates with all series 800 plug connectors with the same polarization and opposite contact genders. Alloy 52 gold-plate contacts. pin-pin, pin-socket, and socket-socket contact styles available.

Page C-26



Series 800 Cordsets

Specify overmolded cordsets for optimum convenience and performance. Select standard overmolded polyurethane-jacketed cable for general purpose applications or choose ultraflexible textile polyurethane jackets for their low-smoke, zero halogen properties and for applications where toxic combustive materials are restricted.

Page C-28

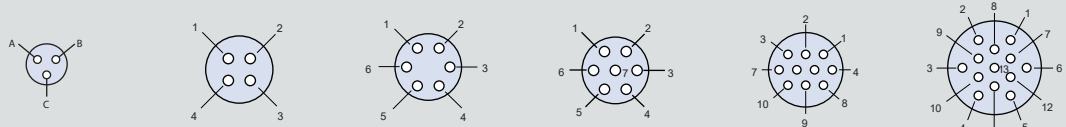
Dimensions in Inches (millimeters) are subject to change without notice.



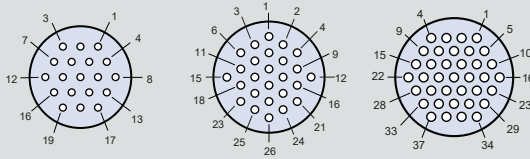
Series 800 Mighty Mouse UN Mating Thread Connectors

Contact Arrangements, Mating Face of Pin Insert Shown

Size #23 Signal Contacts, Tested at 1800 VAC



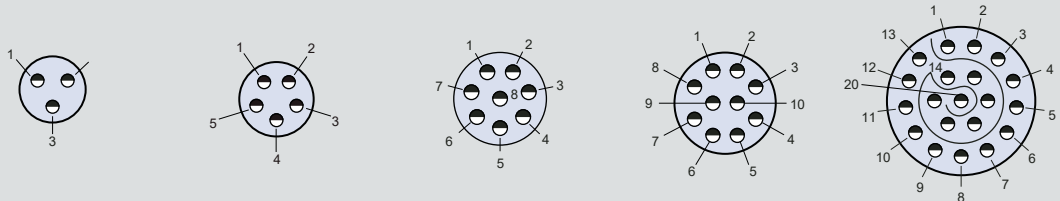
Insert Arrangement	5-3	6-4	6-6	6-7	7-10	8-13
No. of Contacts	3	4	6	7	10	13



Insert Arrangement	9-19	10-26	12-37
No. of Contacts	19	26	37

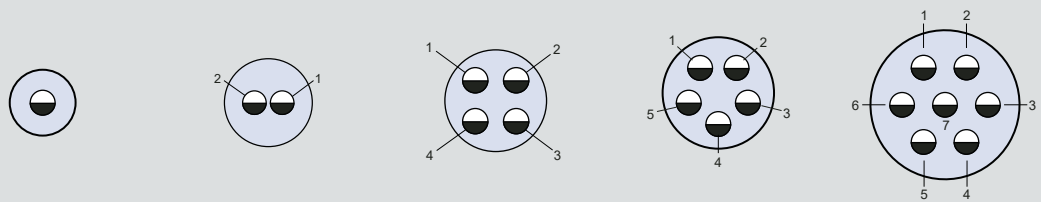
C

Size #20HD Power Contacts, Tested at 1000 VAC



Insert Arrangement	6-23	7-25	8-28	9-210	12-220
No. of Contacts	3	5	8	10	20

Size #16 Power Contacts, Tested at 1800 VAC



Insert Arrangement	6-1	8-2	9-4	10-5	12-7
No. of Contacts	1	2	4	5	7

Dimensions in Inches (millimeters) are subject to change without notice.

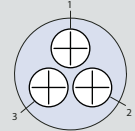
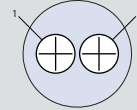
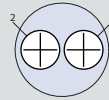
Series 800 Mighty Mouse UN Mating Thread Connectors

Contact Arrangements, Mating Face of Pin Insert Shown



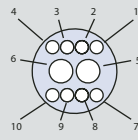
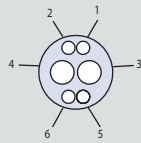
Series 800

Size #12 Power Contacts, Tested at 1800 VAC



Insert Arrangement	7-1	10-2	12-2	12-3
No. of Contacts	1	2	2	3

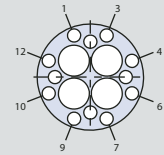
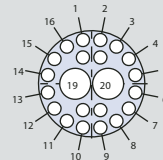
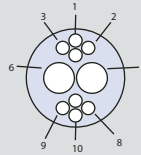
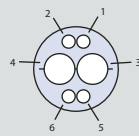
Size #20 Power and Size #23 Signal, Combo Contact Arrangements



Insert Arrangement	8-200		9-201	
Contact Size	#20	#23	#20	#23
No. of Contacts	2	4	2	8
VAC Test Voltage	750		750	



Size #16 Power and Size #23 Signal, Combo Contact Arrangements



Insert Arrangement	9-200		10-202		12-202		12-203	
Contact Size	#16	#23	#16	#23	#16	#23	#16	#23
No. of Contacts	2	4	2	8	2	20	4	12
VAC Test Voltage	750		750		1300		1300	

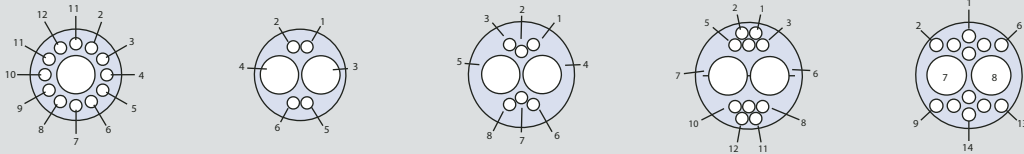
Dimensions in Inches (millimeters) are subject to change without notice.



Series 800 Mighty Mouse UN Mating Thread Connectors

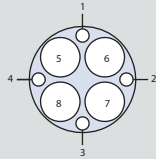
Contact Arrangements, Mating Face of Pin Insert Shown

Size #12 Power and Size #23, Signal Combo Contact Arrangements



Insert Arrangement	10-200	10-201	12-200	12-201	12-204
Contact Size	#12 #23	#12 #23	#12 #23	#12 #23	#12 #23
No. of Contacts	1 12	2 4	2 6	2 10	2 12
VAC Test Voltage	750	750	750	750	1300

C



Insert Arrangement	12-205
Contact Size	#12 #23
No. of Contacts	4 4
VAC Test Voltage	1300

Dimensions in Inches (millimeters) are subject to change without notice.

Series 800 Mighty Mouse UN Mating Thread Connectors Keyway Positions and Panel Cutout Dimensions



Series 800

Series 800 Key Positions					
Shell Size	N	X	Y	Z	
5	150°	140°	130°	120°	
6					
7					
8					
9					
10					
12					

Shell size 5 and 6: master key is located at top dead center for normal (N) position.

Shell size 7 thru 12: master key is rotated 90° from TDC for normal position.

Shell Size 5 and 6 Key Position

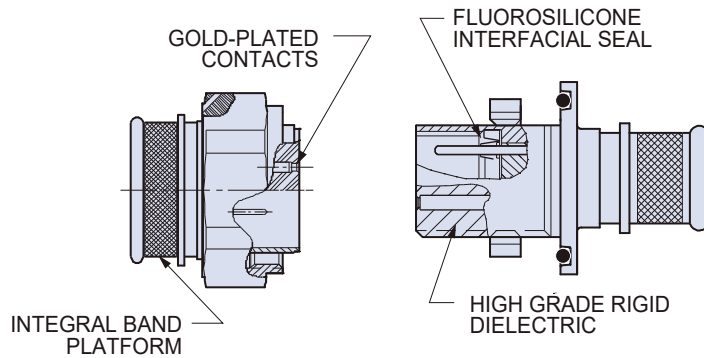
Shell Size 7 thru 12 Key Position



Jam-Nut Panel Cut Out		
Shell Size	Ø M	N Flat
5	.299 (7.59) .295 (7.49)	.299 (7.59) .295 (7.49)
6	.362 (9.19) .358 (9.09)	.362 (9.19) .358 (9.09)
7	.448 (11.38) .443 (11.25)	.428 (10.87) .424 (10.77)
8	.510 (12.95) .505 (12.83)	.483 (12.27) .479 (12.17)
9	.572 (14.53) .567 (14.40)	.541 (13.74) .537 (13.64)
10	.635 (16.13) .630 (16.00)	.614 (15.60) .610 (15.49)
12	.760 (19.30) .755 (19.18)	.721 (18.31) .717 (18.21)

Dimensions in Inches (millimeters) are subject to change without notice.

Series 800 Mighty Mouse UN Mating Thread Connectors General Information



- Threaded Coupling Mechanism
- Crimp Rear Release Contacts
- Integral Band Platform
- Available with Size #12, #16, 20, #20HD and #23 Contacts
- Environmentally Sealed

C

Glenair Series 800 Mighty Mouse Offers Environmental Sealing and Rugged Design in a Lightweight, Ultraminiature Package

Series 800 connectors are intended for light and medium duty applications where size, weight and cost outweigh the need for heavier-duty Series 80 connectors. Terminate shielded cable directly to the integral band platform for excellent EMI protection. Originally used for aerospace sensors, these Series 800 connectors have proven to be a good solution for small form factor tactical equipment including keyboards, radios, ruggedized RPDA's and other dismounted soldier equipment. These connectors meet the requirements of MIL-STD-810 for immersion, vibration, sand and dust, shock, and corrosion resistance.



Specifications	
Current Rating	#23-5 A, #20-7.5 A, #16-13 A, #12-23 A
Dielectric Withstanding Voltage	#23-750 VAC, #20HD-1000 VAC, #12 and #16-1800 VAC
Insulation Resistance	5000 megohms minimum
Operating Temperature	-65° C. to +175° C.
Shock	300 g.
Vibration	37 g.
Shielding Effectiveness	55 dB minimum from 100MHz to 1000MHz.
Durability	2000 mating cycles

Materials and Finishes	
Shells, Jam-nuts	Aluminum alloy or stainless steel
Contacts	Copper alloy, 50 µInch gold plated
Insulators	High-Grade Rigid Dielectric
Contact Retention Clip	Beryllium copper alloy
Interfacial Seal, O-rings, Wire Sealing Grommet	Fluorosilicone rubber

Dimensions in Inches (millimeters) are subject to change without notice.

Series 800 Mighty Mouse UN Mating Thread Connectors Connector Weights



Series 800

Connector Weights			
Maximum Weight In Grams			
Layout	Cable Plug	Jam-nut Receptacle	
		Crimp Contacts	PCB Contacts
5-3P	3.6	2.5	2.5
5-3S	3.7	2.6	2.6
6-1P	4.3	3.2	3.2
6-1S	4.4	3.3	3.3
6-4P	4.8	3.7	3.9
6-4S	5.2	4.0	3.7
6-6P	4.9	3.8	4.2
6-6S	5.3	4.1	4
6-7P	4.8	3.6	3.7
6-7S	4.7	4.0	3.9
6-23P	4.3	3.1	3.2
6-23S	4.6	3.4	3.3
7-1P	5.7	4.7	4.4
7-1S	5.9	5.0	4.5
7-10P	6.9	5.7	5.1
7-10S	7.4	6.2	5.4
7-25P	5.6	4.6	4.3
7-25S	5.9	5	4.3
8-2P	7.4	6.2	6.2
8-2S	8.1	6.9	6.9
8-28P	7.6	6.4	6.8
8-28S	8.6	7.4	7.5
8-13P	6.7	5.5	5.5
8-13S	7.2	5.9	5.9
8-200P	7.7	6.5	6.5
8-200S	8.4	7.2	7.2
9-4P	8.7	7.4	6.7
9-4S	8.8	7.6	6.8
9-210P	8.5	7.2	6.2
9-210S	8.8	7.6	6.5
9-19P	10.5	9.2	7.7
9-19S	11.2	9.6	7.9
9-200P	8.3	6.8	6.2
9-200S	9.4	7.9	7.3
9-201P	8.4	6.9	6.3

Connector Weights			
Maximum Weight In Grams			
Layout	Cable Plug	Jam-nut Receptacle	
		Crimp Contacts	PCB Contacts
9-201S	9.5	8.0	7.4
10-2P	9.5	9.7	11.3
10-2S	10.8	11	12.8
10-5P	9.7	9.9	12.2
10-5S	11.1	11.3	13.6
10-26P	7.9	8.1	10.5
10-26S	8.6	8.4	9.9
10-200P	8.8	9.0	11.3
10-200S	10.3	10.6	12.8
10-201P	9.1	9.4	11.7
10-201S	10.7	10.9	13.2
10-202P	8.8	9.0	11.2
10-202S	10.2	10.5	12.8
12-2P	10.5	10.1	11.6
12-2S	10.6	10.2	11.7
12-3P	10.7	10.3	11.8
12-3S	10.8	10.5	11.9
12-7P	14.3	13.8	15.3
12-7S	16.9	16.5	17.9
12-37P	12.5	12.1	13.5
12-37S	16.1	13.6	14.9
12-200P	13.2	12.8	14.2
12-200S	15.5	15.1	16.5
12-201P	13.3	12.9	14.3
12-201S	15.7	15.3	16.7
12-220P	11.3	10.6	13.9
12-220S	12.2	11.7	14.2
12-202P	10.6	10.2	13
12-202S	11.1	10.6	12.9
12-203P	10.2	10.5	13.5
12-203S	11.4	10.9	13.4
12-204P	11	10.6	13.3
12-204S	11.5	11	13.4
12-205P	12.1	11.7	17.6
12-205S	12.5	12	18

C

Dimensions in Inches (millimeters) are subject to change without notice.



Series 800 Mighty Mouse, UN Mating Thread Plug with Crimp Contacts, Hex or Knurled Coupling 800-006 Thru 800-009 Ordering Information



Smallest Mighty Mouse Connector features a compact size and rugged design for hostile environments. Connector shells are machined aluminum or stainless steel. Supplied with crimp contacts, packaged separately. Terminate contacts with standard M22520 tools. Metal clips inside the connector body lock contact into place and can be removed via the rear release retention system. Fluorosilicone seals and rear grommet protect connector from water ingress. Choose hex or knurled coupling nut. Terminate cable shield directly to connector body with Band-Master™ ATS strap, or choose rear accessory thread to attach optional cable clamp or backshell. Available in shell sizes 5 through 12 in 36 contact arrangements.

How To Order

Sample Part Number	800-006	-06	M	6-7	P	N
Series (See Table I)	800-006 = Hex Plug with Banding Platform 800-007 = Hex Plug with Accessory Thread 800-008 = Plug with Band Platform 800-009 = Plug with Accessory Thread					
Shell Style	-06 = Standard Coupling Nut -16 = Coupling Nut with Anti-Decoupling Wave Spring					
Shell Material and Finish	C = Aluminum / Black Anodize (Non-Conductive) RoHS Compliant M = Aluminum / Electroless Nickel RoHS Compliant NF = Aluminum / Cadmium with Olive Drab Chromate ZNU = Aluminum / Zinc-Nickel with Black Chromate MT = Aluminum / Nickel-PTFE RoHS Compliant Z1 = Stainless Steel / Passivated RoHS Compliant					
Shell Size - Insert Arrangement	See Contact Arrangements page C-2					
Contact Type	Connector supplied with crimp contacts P = Pin S = Socket	Connector supplied without contacts A = Pin Connector B = Socket Connector	Connector supplied with 30 AWG crimp contacts G = Pin H = Socket			
Shell Key Positions (See Table II)	N = Normal X = Pos. X Y = Pos. Y Z = Pos. Z					

Table I: Series

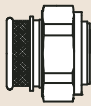
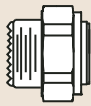
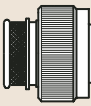

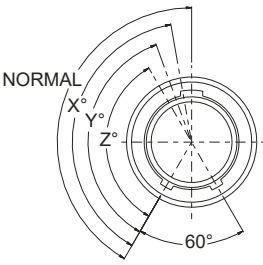
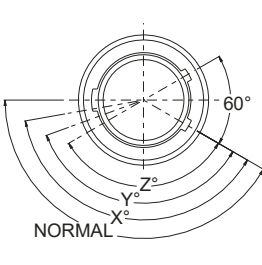
			
800-006 Hex Plug with Banding Platform	800-007 Hex Plug with Accessory Thread	800-008 Knurled Plug with Band Platform	800-009 Knurled Plug with Accessory Thread

Table III: Keyway Positions^{6,7}

Shell Size 5 and 6	Shell Size 7 thru 12
	
Key Position	Key Rotation
N Normal	150°
X	140°
Y	130°
Z	120°

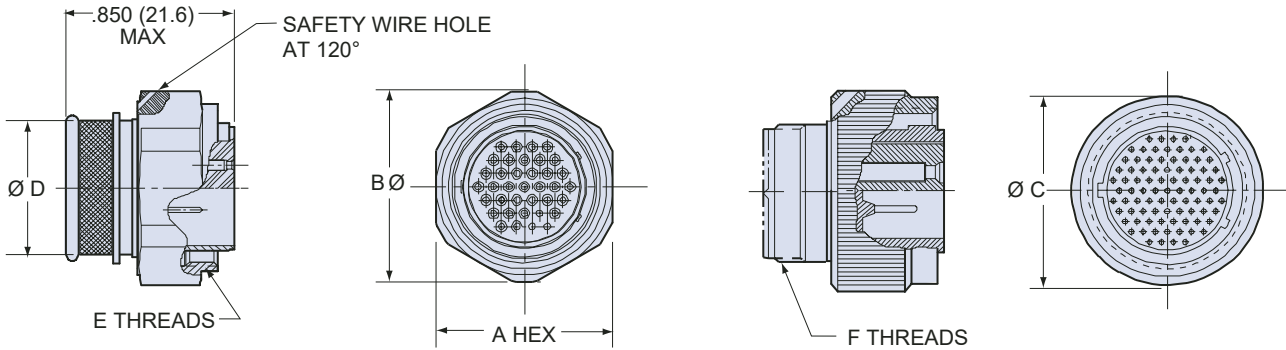
Dimensions in Inches (millimeters) are subject to change without notice.

Series 800 Mighty Mouse, UN Mating Thread Plug with Crimp Contacts, Hex or Knurled Coupling 800-006 Thru 800-009 Dimensions



Series 800

Plug connector with banding porch or accessory threads



Integral Band Platform
(Hex Coupling Shown)
800-006
800-008

Hex Coupling Nut
800-006
800-007

Accessory Thread
(Knurled Coupling Shown)
800-007
800-009

Knurled Coupling
800-008
800-009

C

Dimensions									
Shell Size	Std Coupling Nut - Style 06			Coupling Nut with Wave Spring - Style 16			Ø D	E Threads Coupling Nut	F Threads Accessory
	A Hex	Ø B	Ø C	A Hex	B Ø	Ø C			
5	.430 (10.92)	.47 (11.94)	.43 (10.92)	.495 (12.57)	.54 (13.72)	.49 (12.45)	.230 (5.84)	.3125-28 UN-2B	.250-32 UNEF-2A
6	.500 (12.70)	.55 (13.97)	.50 (12.70)	.563 (14.30)	.62 (15.75)	.56 (14.22)	.286 (7.26)	.3750-28 UN-2B	.3125-32 UNEF-2A
7	.625 (15.88)	.68 (17.27)	.62 (15.75)	.720 (18.29)	.80 (20.32)	.68 (17.27)	.390 (9.91)	.4375-28 UNEF-2B	.4375-28 UNEF-2A
8	.680 (17.27)	.75 (19.05)	.68 (17.27)	.743 (18.87)	.83 (21.08)	.75 (19.05)	.445 (11.30)	.5000-32 UN-2B	.5000-28 UNEF-2A
9	.750 (19.05)	.83 (21.08)	.75 (19.05)	.813 (20.65)	.89 (22.61)	.81 (20.57)	.500 (12.70)	.5625-32 UN-2B	.5625-24 UNEF-2A
10	.812 (20.62)	.90 (22.86)	.81 (20.57)	.875 (22.23)	.96 (24.38)	.88 (22.35)	.565 (14.35)	.6250-32 UN-2B	.6250-24 UNEF-2A
12	.875 (22.23)	.97 (24.64)	.88 (22.35)	.938 (23.83)	1.03 (26.16)	.94 (23.88)	.650 (16.51)	.7500-28 UN-2B	.6875-24 UNEF-2A

NOTES

- Contacts are size 23 crimp type, and used in a rear release retention system
- Additional insert arrangements available, consult factory
- Crimp barrel accommodates 22, 24, 26 and 28 gage wire
- Crimp tool data:
 - Crimp frame: M2252002-01
 - Positioner for use with crimp frame: Glenair P/N 809-005
 - Insertion tool: Glenair P/N 806-006
 - Extraction tool: Glenair P/N 809-007

- Shell sizes 5 thru 6 and insert arrangement 8-13:** master key is located at top dead center (TDC) for normal (N) position.
- Shell size 7 thru 12:** master key is rotated 90° from TDC for normal position

Material / finish:

- Shell: Aluminum Alloy or CRES / see How to Order Table
- Coupling nut: aluminum alloy or CRES: see How to Order Table
- Insulator: LCP or epoxy
- Interfacial seal, grommet seal: fluorosilicone or silicone
- Contact: copper alloy / gold plate per ASTM B 488, Type II, Class 1.25, over a suitable underplate

Dimensions in Inches (millimeters) are subject to change without notice.



Series 800 Mighty Mouse, UN Mating Thread Receptacle with Rear Release Crimp Contacts

800-010 and 800-011 Ordering Information



Rear Panel Mount Jam-Nut

Series 800 Receptacle Connectors feature machined aluminum or stainless steel shells. Supplied with crimp removable contacts. Terminate contacts with standard M22520 tools. Fluorosilicone interfacial seal and rear grommet protect connector from water ingress. Terminate cable shield directly to 800-010 connector body with Band-Master® ATS band, or choose 800-011 with accessory thread to attach optional cable clamp or backshell.

C

How To Order		800-011	-01	M	6-7	P	N
Sample Part Number							
Series (See Table I)	800-010 = With Banding Platform 800-011 = With Accessory Thread						
Shell Style (See Table II)	-01 = Cable Receptacle -02 = Square Flange, Front or Rear Panel Mount -07 = Jam-Nut, Rear Panel Mount						
Shell Material and Finish	C = Aluminum / Black Anodize (Non-Conductive) RoHS Compliant M = Aluminum / Electroless Nickel RoHS Compliant NF = Aluminum / Cadmium with Olive Drab Chromate ZNU = Aluminum / Zinc-Nickel with Black Chromate MT = Aluminum / Nickel-PTFE RoHS Compliant Z1 = Stainless Steel / Passivated RoHS Compliant						
Shell Size - Insert Arrangement	See Contact Arrangements page C-2						
Contact Type	<p>Connector supplied with crimp contacts</p> <p>P = Pin S = Socket</p> <p>Signal and/or power contacts are not installed. Coaxial contacts and non-standard signal contacts are ordered separately.</p>	<p>Connector supplied without contacts</p> <p>A = Pin Connector B = Socket Connector</p>	<p>Connector supplied with 30 AWG crimp contacts</p> <p>G = Pin H = Socket</p>				
Polarization (See Table III)	N = Normal X = Pos. X Y = Pos. Y Z = Pos. Z						

Table I: Series	
800-010 Receptacle with Band Platform	800-011 Receptacle with Accessory Thread

Table III: Keyway Positions ^{6,7}	
Shell Size 5 and 6	Shell Size 7 thru 12
Key Position	Key Rotation
N Normal	150°
X	140°
Y	130°
Z	120°

Table II: Shell Style		
-01 In-Line	-02 Square Flange, Rear Mount	-07 Jam-Nut, Rear Panel Mount

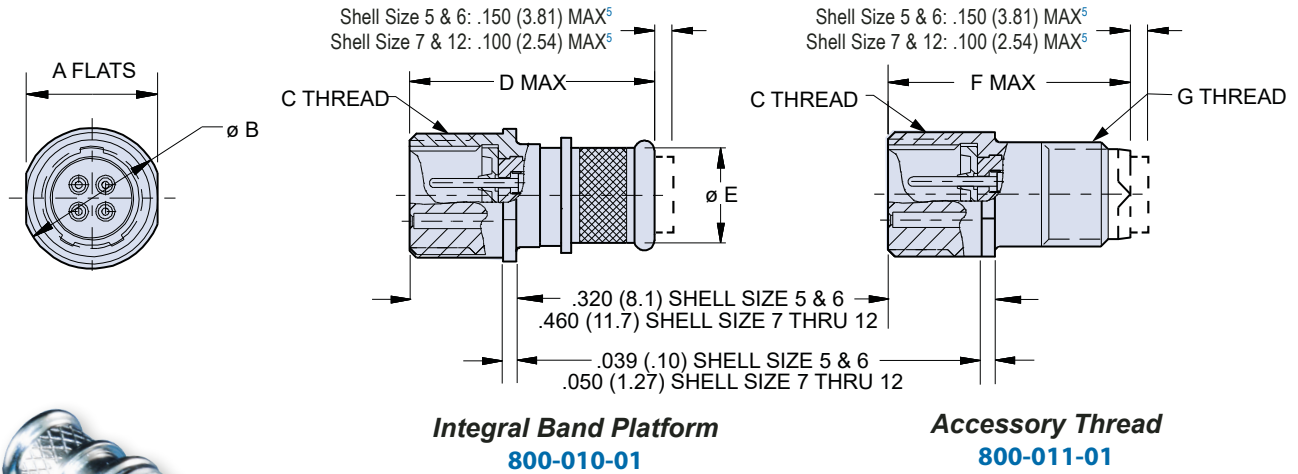
Dimensions in Inches (millimeters) are subject to change without notice.

**Series 800 Mighty Mouse
Receptacle with Rear Release Crimp Contacts
800-010-01 and 800-011-01 Dimensions**



Series 800

In-line cable receptacle - shell style 01



Dimensions							
Shell Size	A Flats	Ø B	C Threads Mating	D Max.	Ø E	F Max.	G Threads Accessory
5	.312 (7.92)	.355 (9.02)	.3125-28 UN-2A	.750 (19.05)	.230 (5.84)	.725 (18.42)	.250-32 UNEF-2A
6	.375 (9.52)	.400 (10.16)	.3750-28 UN-2A	.750 (19.05)	.286 (7.26)	.725 (18.42)	.3125-32 UNEF-2A
7	.445 (11.30)	.490 (12.45)	.4375-28 UNEF-2A	.825 (20.96)	.390 (9.91)	.800 (20.32)	.4375-28 UNEF-2A
8	.550 (13.97)	.600 (15.24)	.5000-32 UN-2A	.825 (20.96)	.445 (11.30)	.800 (20.32)	.5000-28 UNEF-2A
9	.613 (15.57)	.663 (16.84)	.5625-32 UN-2A	.825 (20.96)	.500 (12.70)	.800 (20.32)	.5625-24 UNEF-2A
10	.675 (17.15)	.725 (18.42)	.6250-32 UN-2A	.825 (20.96)	.565 (14.35)	.800 (20.32)	.6250-24 UNEF-2A
12	.800 (20.32)	.850 (21.59)	.7500-28 UN-2A	.825 (20.96)	.650 (16.51)	.800 (20.32)	.6875-24 UNEF-2A

NOTES

- Contacts are size 23 crimp type, and used in a rear release retention system
- Additional insert arrangements available, consult factory
- Crimp barrel accommodates 22, 24, 26 and 28 gage wire
- Crimp tool data:
 - Crimp frame: M22520/2-01
 - Positioner for use with crimp frame: Glenair P/N 809-005
 - Insertion/extraction tool: Glenair P/N 809-008

- Grommet protrudes for power/combo arrangements
- Shell sizes 5 thru 6 and insert arrangement 8-13:** master key is located at top dead center (TDC) for normal (N) position.
- Shell size 7 thru 12:** master key is rotated 90° from TDC for normal position

Material / finish:

- Shell: Aluminum Alloy or CRES / see How to Order Table
- Insulator: LCP or epoxy
- Interfacial seal, grommet seal: fluorosilicone or silicone
- Contact: copper alloy / gold plate per ASTM B 488, Type II, Class 1.25, over a suitable underplate

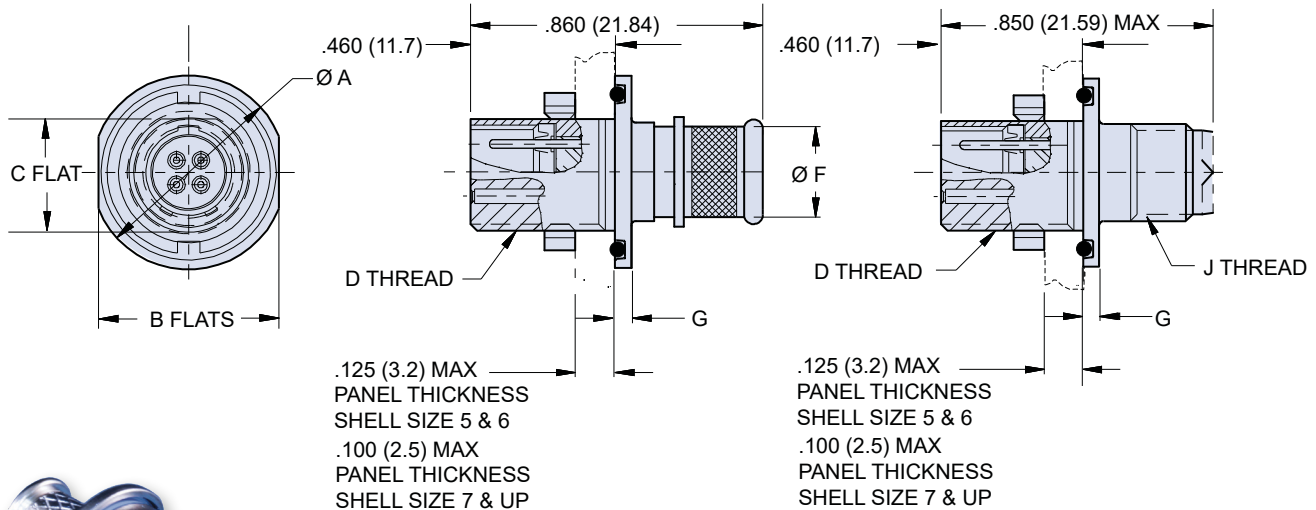
Dimensions in Inches (millimeters) are subject to change without notice.



Series 800 Mighty Mouse, UN Mating Thread Receptacle with Rear Release Crimp Contacts

800-010 and 800-011 Dimensions

Jam-nut, rear panel mount receptacle - shell style 07



Integral Band Platform
800-010-07

Accessory Thread
800-011-07



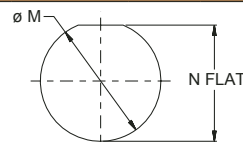
Dimensions

Shell Size	Ø A	B Flat	C Flat	D Threads Mating	Ø F	G	J Threads Accessory
5	.541 (13.74)	.500 (12.70)	.285 (7.24)	.3125-28 UN-2A	.230 (5.84)	.051 (1.30)	.250-32 UNEF-2A
6	.610 (15.49)	.562 (14.27)	.352 (8.94)	.3750-28 UN-2A	.286 (7.26)	.051 (1.30)	.3125-32 UNEF-2A
7	.670 (17.02)	.635 (16.13)	.418 (10.62)	.4375-28 UNEF-2A	.390 (9.91)	.093 (2.36)	.4375-28 UNEF-2A
8	.775 (19.68)	.735 (18.67)	.473 (12.01)	.5000-32 UN-2A	.445 (11.30)	.093 (2.36)	.5000-28 UNEF-2A
9	.875 (22.23)	.806 (20.47)	.530 (13.46)	.5625-32 UN-2A	.500 (12.70)	.093 (2.36)	.5625-24 UNEF-2A
10	.980 (24.89)	.940 (23.88)	.604 (15.34)	.6250-32 UN-2A	.565 (14.35)	.093 (2.36)	.6250-24 UNEF-2A
12	1.062 (26.97)	.986 (25.04)	.712 (18.08)	.7500-28 UN-2A	.650 (16.51)	.093 (2.36)	.6875-24 UNEF-2A

Material / finish:

- Shell, jam-nut: Aluminum Alloy or CRES / see How to Order Table
- Insulator: LCP or epoxy
- Interfacial seal, grommet seal: fluorosilicone or silicone
- Contact: copper alloy / gold plate per ASTM B 488, Type II, Class 1.25, over a suitable underplate

Jam-Nut Panel Cut Out



Shell Size	Ø M +.005 (.13) -.000 (.00)	N Flat ±.002 (.05)	Shell Size	Ø M +.005 (.13) -.000 (.00)	N Flat ±.002 (.05)
5	.317 (8.05)	.297 (7.54)	9	.567 (14.40)	.539 (13.69)
6	.380 (9.65)	.360 (9.14)	10	.630 (16.00)	.612 (15.54)
7	.443 (11.25)	.426 (10.82)	12	.755 (19.18)	.717 (18.21)
8	.505 (12.83)	.481 (12.22)			

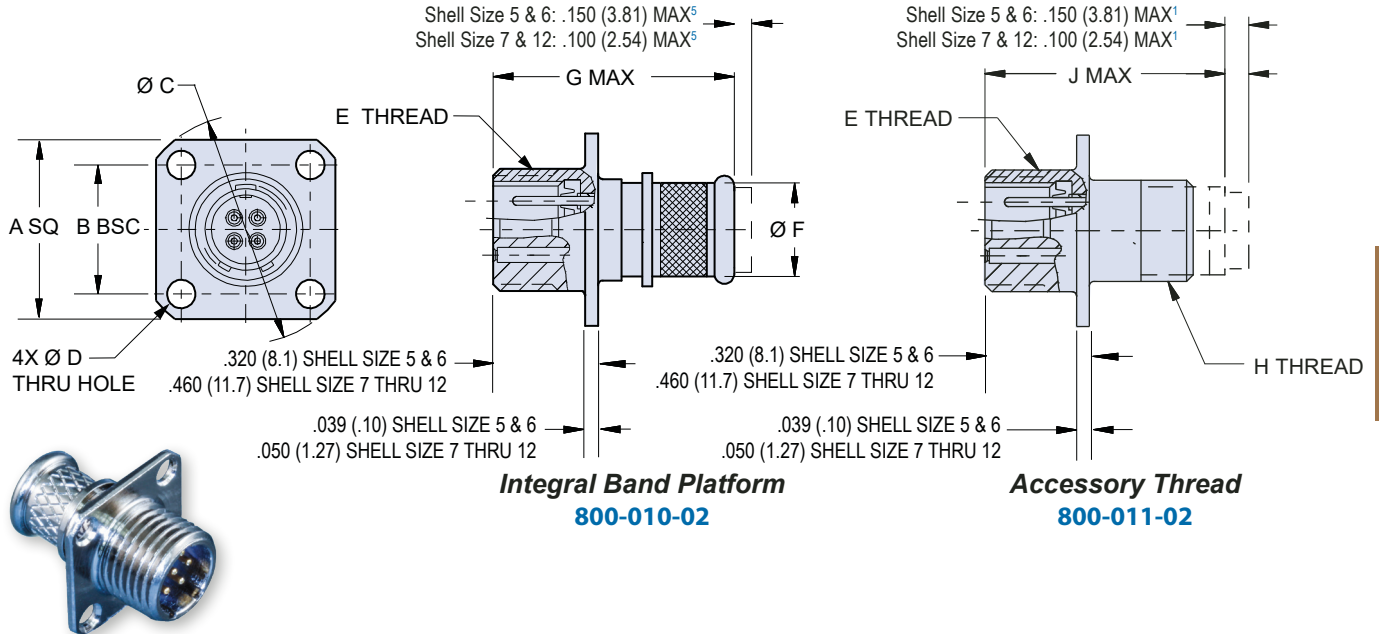
Dimensions in Inches (millimeters) are subject to change without notice.

**Series 800 Mighty Mouse
Receptacle with Rear Release Crimp Contacts
800-010 and 800-011 Dimensions**



Series 800

Square flange rear panel mount receptacle - shell style 02



Dimensions									
Shell Size	A SQ	B Bsc	Ø C	Ø D ± .005 (± 0.13)	E Threads Mating	Ø F	G Max.	H Threads Accessory	J Max.
5	.527 (13.39)	.363 (9.22)	.680 (17.27)	.094 (2.39)	.3125-28 UN-2A	.230 (5.84)	.730 (18.54)	.250-32 UNEF-2A	.725
6	.588 (14.94)	.423 (10.74)	.750 (19.05)	.094 (2.39)	.3750-28 UN-2A	.286 (7.26)	.730 (18.54)	.3125-32 UNEF-2A	.725
7	.650 (16.51)	.483 (12.27)	.830 (21.08)	.128 (3.25)	.4375-28 UNEF-2A	.390 (9.91)	.805 (20.45)	.4375-28 UNEF-2A	.800
8	.710 (18.03)	.542 (13.77)	.938 (23.83)	.128 (3.25)	.5000-32 UN-2A	.445 (11.30)	.805 (20.45)	.5000-28 UNEF-2A	.800
9	.938 (23.83)	.719 (18.26)	1.250 (31.75)	.128 (3.25)	.5625-32 UN-2A	.500 (12.70)	.805 (20.45)	.5625-24 UNEF-2A	.800
10	.938 (23.83)	.719 (18.26)	1.250 (31.75)	.128 (3.25)	.6250-32 UN-2A	.565 (14.35)	.805 (20.45)	.6250-24 UNEF-2A	.800
12	1.031 (26.19)	.812 (20.62)	1.375 (34.92)	.128 (3.25)	.7500-28 UN-2A	.650 (16.51)	.805 (20.45)	.6875-24 UNEF-2A	.800

Material / finish:

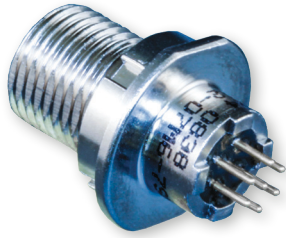
- Shell: Aluminum Alloy or CRES / see How to Order Table
- Insulator: LCP or epoxy
- Interfacial seal, grommet seal: fluorosilicone or silicone
- Contact: copper alloy / gold plate per ASTM B 488, Type II, Class 1.25, over a suitable underplate

Dimensions in Inches (millimeters) are subject to change without notice.



Series 800 Mighty Mouse, UN Mating Thread PCB Receptacle with PC Tails or Solder Cups

800-012 and 800-040 Ordering Information



Rear Panel Mount Jam-Nut

Environmental, PCB Receptacle 800-012 connectors feature low profile shells for minimum protrusion inside enclosures and integral board standoffs. Contacts are non-removable. Specify 800-012 connectors for applications where open face water immersion is not a requirement.

Water Tight PCB Receptacle 800-040 connectors are identical to 800-012 but are specially sealed ("MOD-518") and 100% tested to maintain a helium leak rate of less than 1×10^{-4} cc/second at one atmosphere pressure differential. Connectors meet MIL-STD-810 Method 512G immersion requirements in unmated/open face condition.

How To Order

Sample Part Number	800-012	-07	M	7-10	P	Z
Series	800-012 = Environmental Receptacle with Solder Cups or PC Tails 800-040 = Receptacle, same as 800-012,					
Shell Style (See Table I)	-02 = Square Flange -07 = Jam-Nut (See Jam-Nut Panel Cutout Dimensions Page C-3)					
Shell Material and Finish	C = Aluminum / Black Anodize (Non-Conductive) RoHS Compliant M = Aluminum / Electroless Nickel RoHS Compliant NF = Aluminum / Cadmium with Olive Drab Chromate ZNU = Aluminum / Zinc-Nickel with Black Chromate MT = Aluminum / Nickel-PTFE RoHS Compliant Z1 = Stainless Steel / Passivated RoHS Compliant					
Shell Size - Insert Arrangement	See Contact Arrangements page C-2					
Contact Type	P = Pin, PC Tail S = Socket, PC Tail		E = Pin, Solder Cup F = Socket, Solder Cup			
Polarization (See Table II)	N = Normal X = Pos. X Y = Pos. Y Z = Pos. Z					

Table I: Shell Style


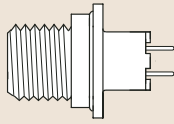
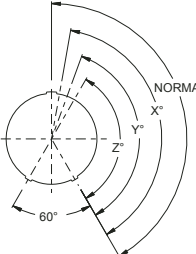
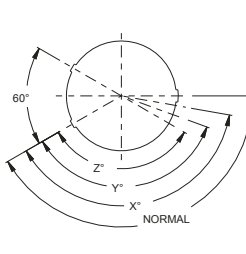
	
-02 Square Flange Front Mount	-07 Jam-Nut for Rear Panel Mounting

Table II: Shell Key Positions^{1,2}

Shell Size 5 and 6	Shell Size 7 thru 12
	
Key Position	Key Rotation
N Normal	150°
X	140°
Y	130°
Z	120°

Material / finish:

- Receptacle shell: aluminum alloy or CRES / see How to Order Table
- Insulator: LCP or epoxy / N.A.
- Interfacial seal, O-ring: fluorosilicone rubber
- Contact: copper alloy / gold plate per ASTM B 488, Type II, Class 1.25, over a suitable underplate
- Potting compound: epoxy

NOTE

1. Shell sizes 5 thru 6 and insert arrangement 8-13: master key is located at top dead center (TDC) for normal (N) position.
2. Shell size 7 thru 12: master key is rotated 90° from TDC for normal position

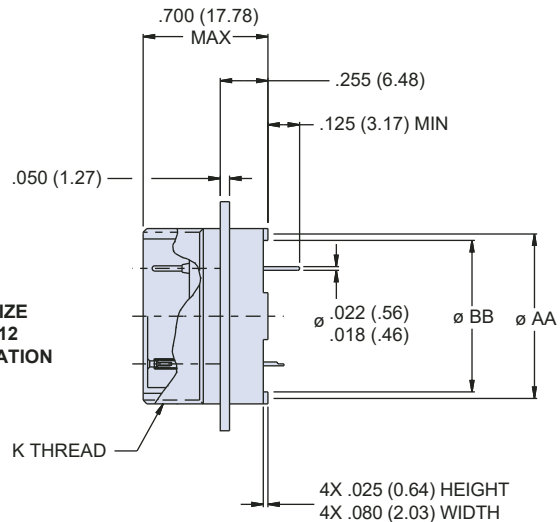
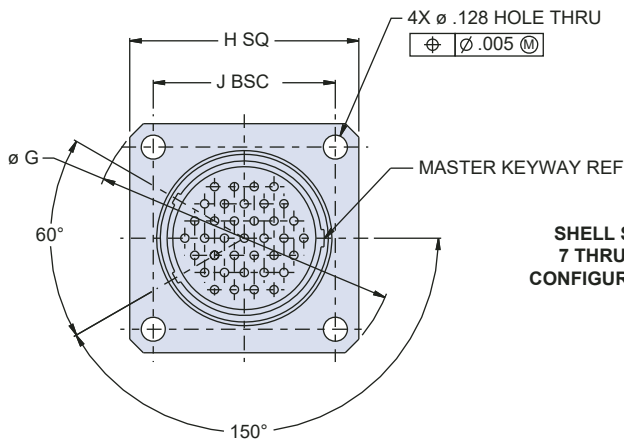
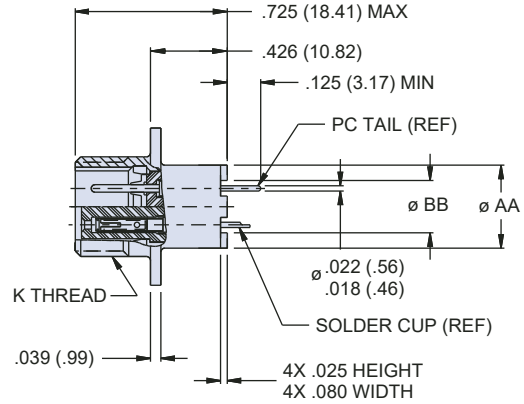
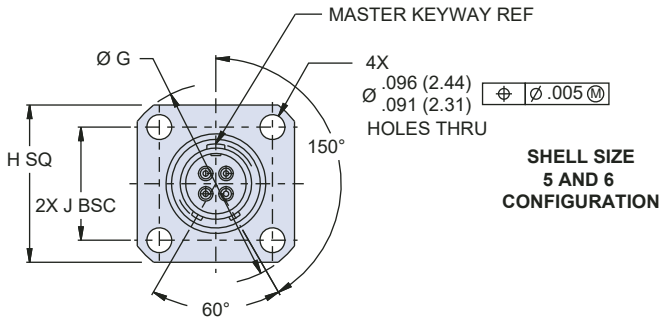
Dimensions in Inches (millimeters) are subject to change without notice.

Series 800 Mighty Mouse, UN Mating Thread
PCB Receptacle with PC Tails or Solder Cups
800-012 and 800-040 Dimensions



Series 800

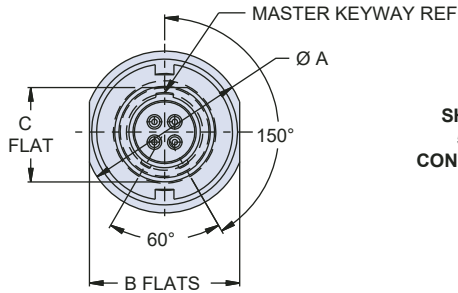
Square flange mount receptacle - shell style 02



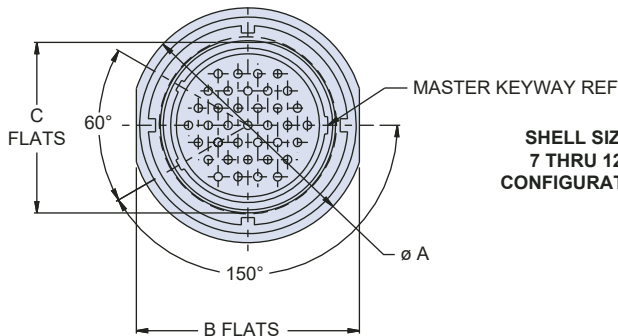
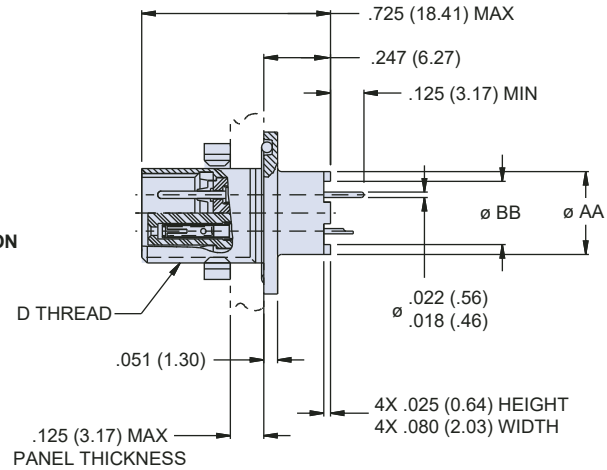
Dimensions						
Shell Size	Ø G	H SQ	J BSC	K Thread	Ø AA O.D.	Ø BB I.D.
5	.680 (17.27)	.527 (13.39)	.363 (9.22)	.3125-28 UN-2A	.265 (6.73)	.186 (4.72)
6	.750 (19.05)	.588 (14.94)	.423 (10.74)	.3750-28 UN-2A	.330 (8.38)	.238 (6.05)
7	.850 (21.59)	.650 (16.51)	.483 (12.27)	.4375-28 UNEF-2A	.424 (10.77)	.327 (8.31)
8	.938 (23.83)	.710 (18.03)	.542 (13.77)	.5000-32 UN-2A	.448 (11.38)	.388 (9.86)
9	1.250 (31.75)	.938 (23.83)	.719 (18.26)	.5625-32 UN-2A	.500 (12.70)	.446 (11.33)
10	1.250 (31.75)	.938 (23.83)	.719 (18.26)	.6250-32 UN-2A	.575 (14.60)	.515 (13.08)
12	1.375 (34.92)	1.031 (26.19)	.812 (20.62)	.7500-28 UN-2A	.660 (16.76)	.599 (15.21)

Dimensions in Inches (millimeters) are subject to change without notice.

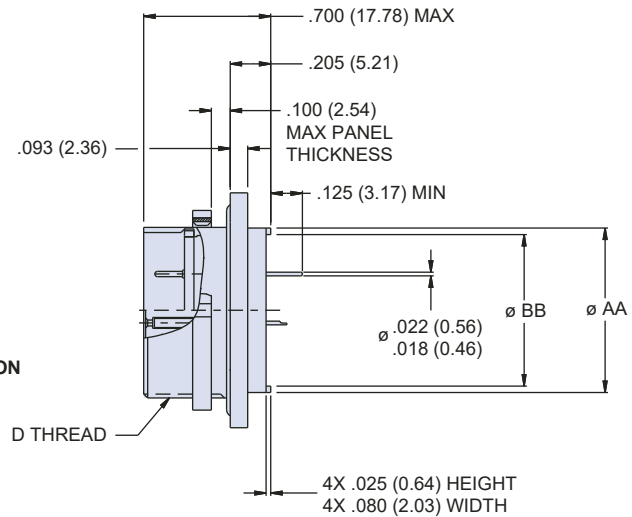
Jam-nut mount receptacle - shell style 07



**SHELL SIZE
5 AND 6
CONFIGURATION**

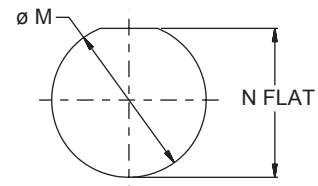


**SHELL SIZE
7 THRU 12
CONFIGURATION**



Dimensions

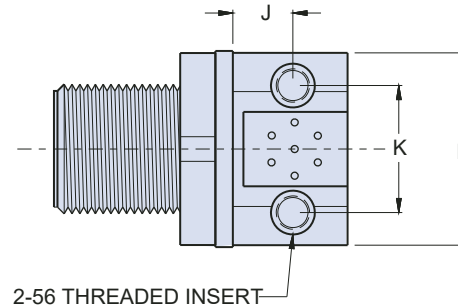
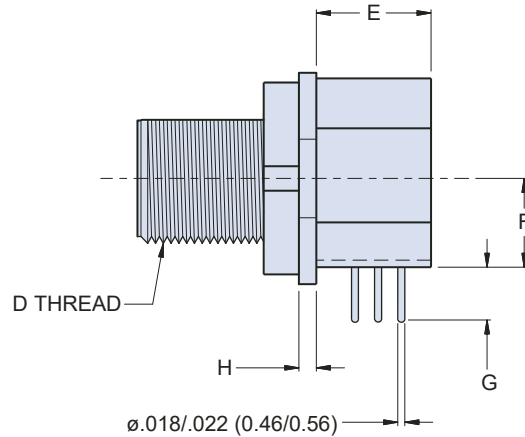
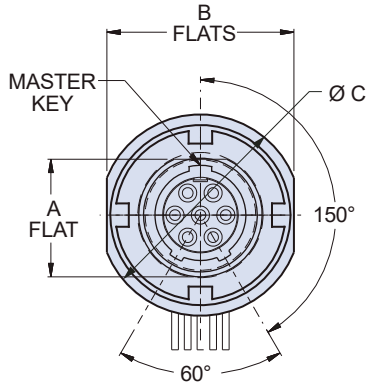
Shell Size	Ø A	B Flat	C Flat	D Thread	Panel Cutout	
					Ø M +.005 (.13) -.000 (.00)	N Flat ±.002 (.05)
5	.541 (13.74)	.500 (12.70)	.285 (7.24)	.3125-28 UN-2A	.317 (8.05)	.297 (7.54)
6	.610 (15.49)	.562 (14.27)	.352 (8.94)	.3750-28 UN-2A	.380 (9.65)	.360 (9.14)
7	.670 (17.02)	.635 (16.13)	.411 (10.44)	.4375-28 UNEF-2A	.443 (11.25)	.426 (10.82)
8	.775 (19.68)	.735 (18.67)	.473 (12.01)	.5000-32 UN-2A	.505 (12.83)	.481 (12.22)
9	.875 (22.23)	.806 (20.47)	.530 (13.46)	.5625-32 UN-2A	.567 (14.40)	.539 (13.69)
10	.980 (24.89)	.940 (23.88)	.604 (15.34)	.6250-32 UN-2A	.630 (16.00)	.610 (15.49)
12	1.062 (26.97)	.986 (25.04)	.712 (18.08)	.7500-28 UN-2A	.755 (19.18)	.717 (18.21)



Jam-Nut Panel Cut Out

Dimensions in Inches (millimeters) are subject to change without notice.

Jam-nut mount receptacle - shell style 07



Material / finish:

- Receptacle shell, jam-nut: aluminum alloy or CRES / see How to Order Table
- Insulator: LCP or epoxy / N.A.
- Interfacial seal, O-ring: fluorosilicone
- Contact: copper alloy / gold plate per ASTM B 488, Type II, Class 1.25, over a suitable underplate
- Potting: epoxy

Dimensions

Size - Arr	A Flat ±.005 (±0.13)	B Flat	Ø C	D Threads	E	F	G ±.035 (±0.89)	H ±.005 (±0.13)	J	K	L
5-3	.282 (7.16) .291 (7.39)	.497 (12.62)	.538 (13.67)	.3125-28 UN-2A	.260 (6.60)	.235 (5.97)	.257 (6.53)	.050 (1.27)	.165 (4.19)	.310 (7.87)	.49 (12.45)
6-1	.350 (8.89) .359 (9.12)	.559 (14.20)	.602 (15.29)	.3750-28 UN-2A	.350 (8.89)	.225 (5.72)	.285 (7.24)	.050 (1.27)	.224 (5.69)	.385 (9.78)	.58 (14.73)
6-4		.559 (14.20)	.602 (15.29)	.3750-28 UN-2A	.330 (8.38)	.225 (5.72)	.285 (7.24)	.050 (1.27)	.224 (5.69)	.385 (9.78)	.58 (14.73)
6-6,6-7	.409 (10.39) .418 (10.62)	.559 (14.20)	.602 (15.29)	.3750-28 UN-2A	.350 (8.89)	.225 (5.72)	.285 (7.24)	.050 (1.27)	.187 (4.75)	.408 (10.36)	.58 (14.73)
7-1		.643 (16.33)	.664 (16.87)	.4375-28 UNEF-2A	.350 (8.89)	.296 (7.52)	.200 (5.08)	.092 (2.34)	.170 (4.32)	.452 (11.48)	.71 (18.03)
7-10	.418 (10.62)	.643 (16.33)	.664 (16.87)	.4375-28 UNEF-2A	.350 (8.89)	.296 (7.52)	.274 (6.96)	.092 (2.34)	.170 (4.32)	.452 (11.48)	.71 (18.03)
8-2	.471 (11.96)	.731 (18.57)	.770 (19.56)	.5000-28 UN-2A	.490 (12.45)	.320 (8.13)	.336 (8.53)	.092 (2.34)	.230 (5.84)	.490 (12.45)	.71 (18.03)
8-13	.480 (12.19)	.731 (18.57)	.770 (19.56)	.5000-32 UN-2A	.490 (12.45)	.320 (8.13)	.315 (8.00)	.092 (2.34)	.230 (5.84)	.490 (12.45)	.71 (18.03)
9-4	.528 (13.41) .537 (13.64)	.803 (20.40)	.872 (22.15)	.5625-28 UN-2A	.490 (12.45)	.362 (9.19)	.288 (7.32)	.092 (2.34)	.342 (8.69)	.600 (15.24)	.80 (20.32)
9-19		.803 (20.40)	.872 (22.15)	.5625-32 UN-2A	.490 (12.45)	.362 (9.19)	.283 (7.19)	.092 (2.34)	.342 (8.69)	.600 (15.24)	.80 (20.32)
9-200	.537 (13.64)	.803 (20.40)	.872 (22.15)	.5625-28 UN-2A	.490 (12.45)	.362 (9.19)	.240 (6.10)	.092 (2.34)	.342 (8.69)	.600 (15.24)	.80 (20.32)
10-2		.940 (23.88)	.976 (24.79)	.6250-28 UN-2A	.570 (14.48)	.397 (10.08)	.272 (6.91)	.092 (2.34)	.362 (9.19)	.640 (16.26)	.84 (21.34)
10-5	.602 (15.29)	.940 (23.88)	.976 (24.79)	.6250-28 UN-2A	.570 (14.48)	.397 (10.08)	.305 (7.75)	.092 (2.34)	.362 (9.19)	.640 (16.26)	.84 (21.34)
10-201	.611 (15.52)	.940 (23.88)	.976 (24.79)	.6250-28 UN-2A	.570 (14.48)	.397 (10.08)	.272 (6.91)	.092 (2.34)	.362 (9.19)	.640 (16.26)	.84 (21.34)

Dimensions in Inches (millimeters) are subject to change without notice.

Series 800 Mighty Mouse, UN Mating Thread PCB Mount Right Angle Header Receptacle 800-032 Dimensions

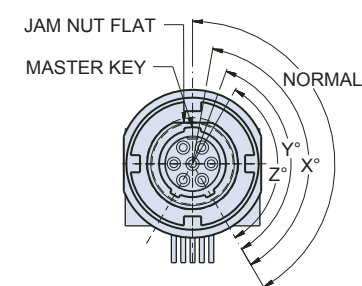


Series 800

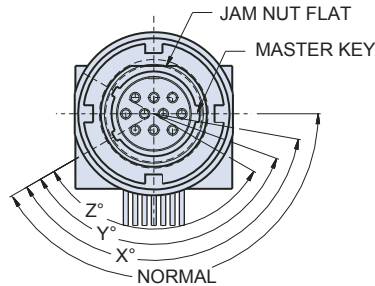
C

Panel Cutouts for Right Angle PCB Headers		ShellSize	A Flat	øB
		5	.299 (7.59) .295 (7.49)	.322 (8.18) .317 (8.05)
		6	.362 (9.19) .358 (9.09)	.385 (9.78) .380 (9.65)
		7	.428 (10.87) .424 (10.77)	.448 (11.38) .443 (11.25)
		8	.483 (12.27) .479 (12.17)	.510 (12.95) .505 (12.83)
		9	.541 (13.74) .537 (13.64)	.572 (14.53) .567 (14.40)
		10	.541 (13.74) .537 (13.64)	.635 (16.13) .630 (16.00)

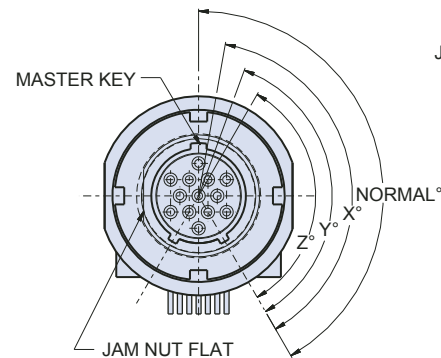
FACE VIEW AND KEYWAY POSITION OF RIGHT ANGLE PCB HEADERS



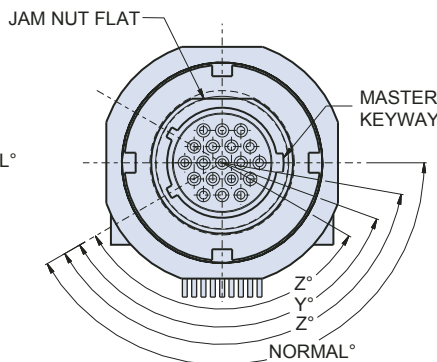
JAM NUT FLAT AND KEYWAY LOCATIONS
SHELL SIZE 5 AND 6
SOCKET FACE SHOWN



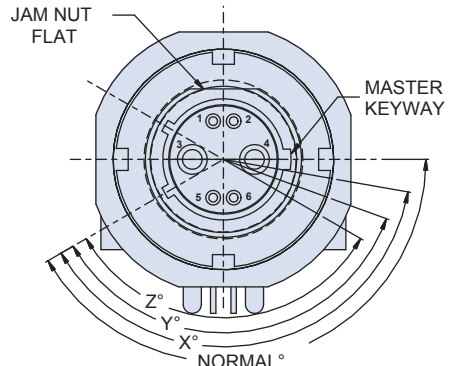
JAM NUT FLAT AND KEYWAY LOCATIONS
SHELL SIZE 7
SOCKET FACE SHOWN



JAM NUT FLAT AND KEYWAY LOCATIONS
SHELL SIZE 8
SOCKET FACE SHOWN



JAM NUT FLAT AND KEYWAY LOCATIONS
SHELL SIZE 9
SOCKET FACE SHOWN



JAM NUT FLAT AND KEYWAY LOCATIONS
SHELL SIZE 10
SOCKET FACE SHOWN

Key Positions	
Key Position	Key Rotation
N Normal	150°
X	140°
Y	130°
Z	120°

Dimensions in Inches (millimeters) are subject to change without notice.

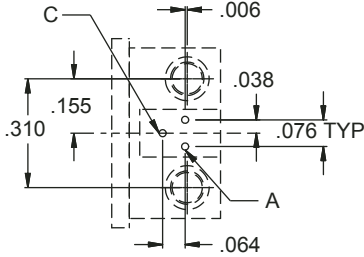


Series 800 Mighty Mouse, UN Mating Thread PCB Mount Right Angle Header Receptacle 800-032 PCB Mounting Footprints

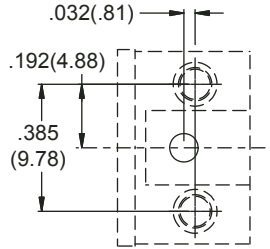
RIGHT ANGLE PCB FOOTPRINTS: SOCKET CONNECTORS SHOWN

Patterns shown are for component mounting side of PCB.

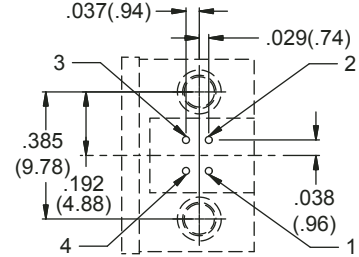
Contacts are .022 (0.56) max. diameter, mounting holes are 2-56 threaded inserts



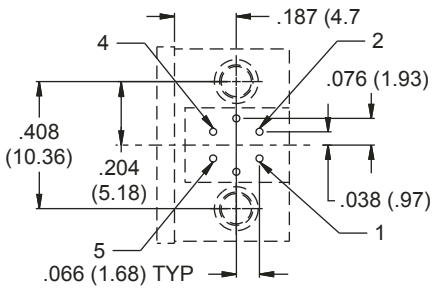
5-3



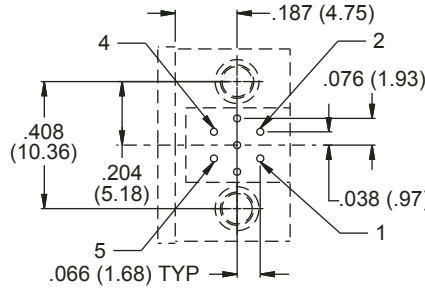
6-1



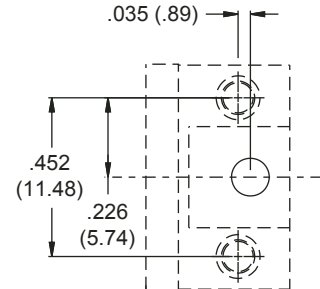
6-4



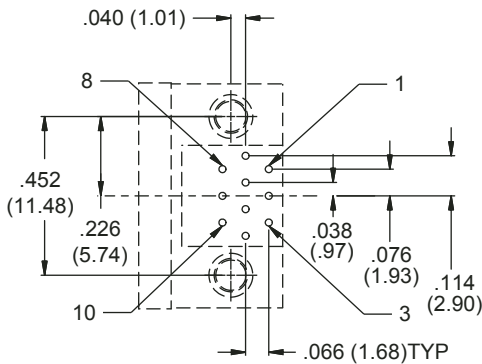
6-6



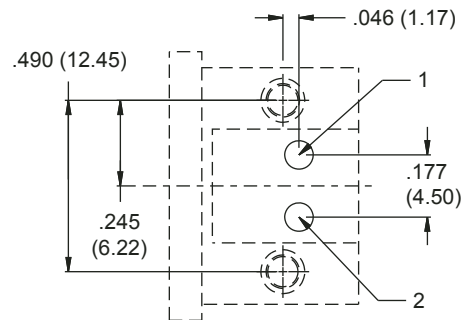
6-7



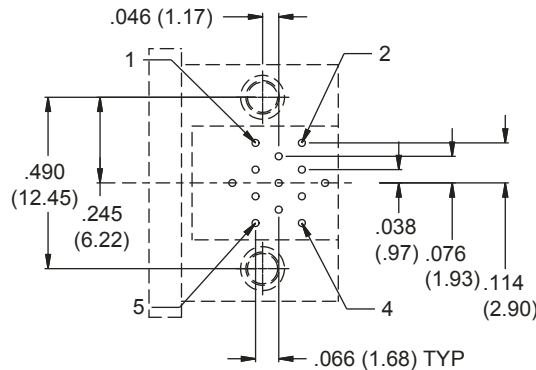
7-1



7-10



8-2



8-13

Series 800 Mighty Mouse, UN Mating Thread
PCB Mount Right Angle Header Receptacle
800-032 PCB Mounting Footprints

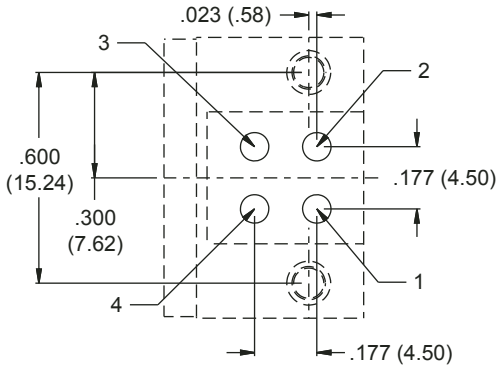


Series 800

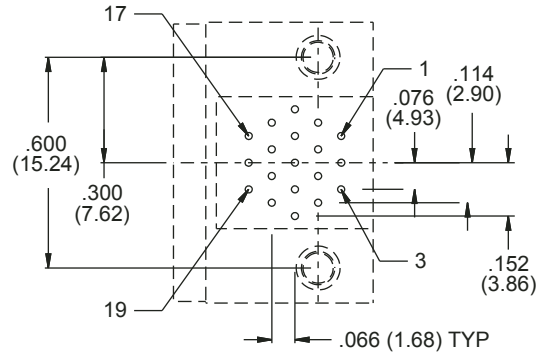
RIGHT ANGLE PCB FOOTPRINTS: SOCKET CONNECTORS SHOWN

Patterns shown are for component mounting side of PCB.

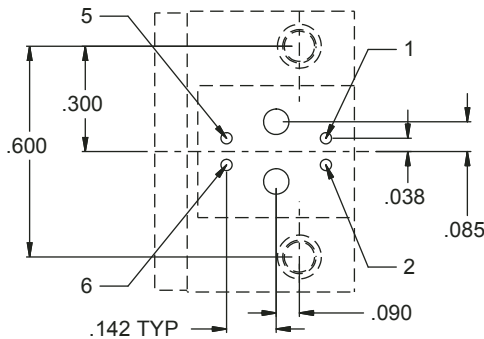
Contacts are .022 (0.56) max. diameter, mounting holes are 2-56 threaded inserts



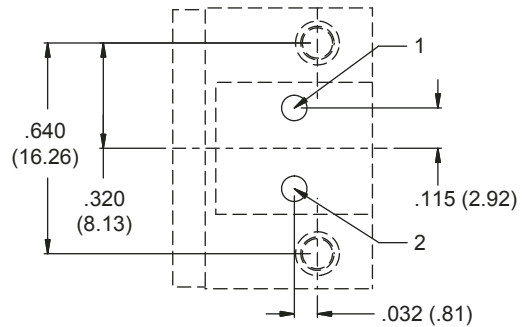
9-4



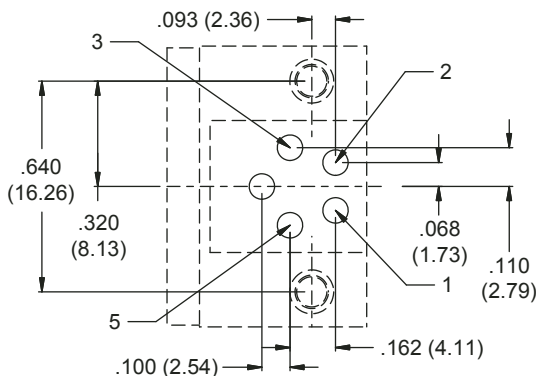
9-19



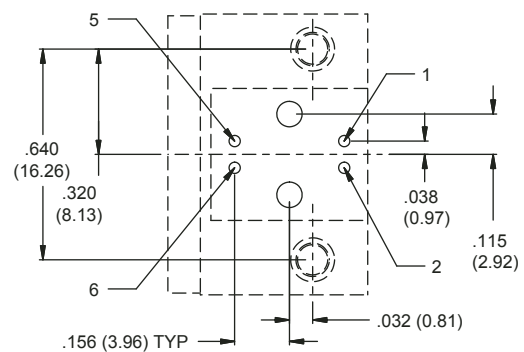
9-200



10-2



10-5



10-201





Series 800 Mighty Mouse, UN Mating Thread PC Tail or Solder Cup, Hermetic Receptacle

800-013 How to Order



Compact, Rugged Series 800 hermetic receptacles feature 304L stainless steel shells and vitreous glass insulators. Contacts are gold-plated iron alloy. UN mating thread. Available with male pin contacts (contact Glenair for hermetic connectors with female socket contacts). 100% helium leak tested to meet 1×10^{-7} cc/second maximum leak rate. Contacts are factory-installed and are non-removable. Terminate to wires with solder cup versions, or choose PC tail versions for thru-hole soldering to rigid or flexible circuit boards. Available in all contact and insert arrangements between size 5 and 12.

C

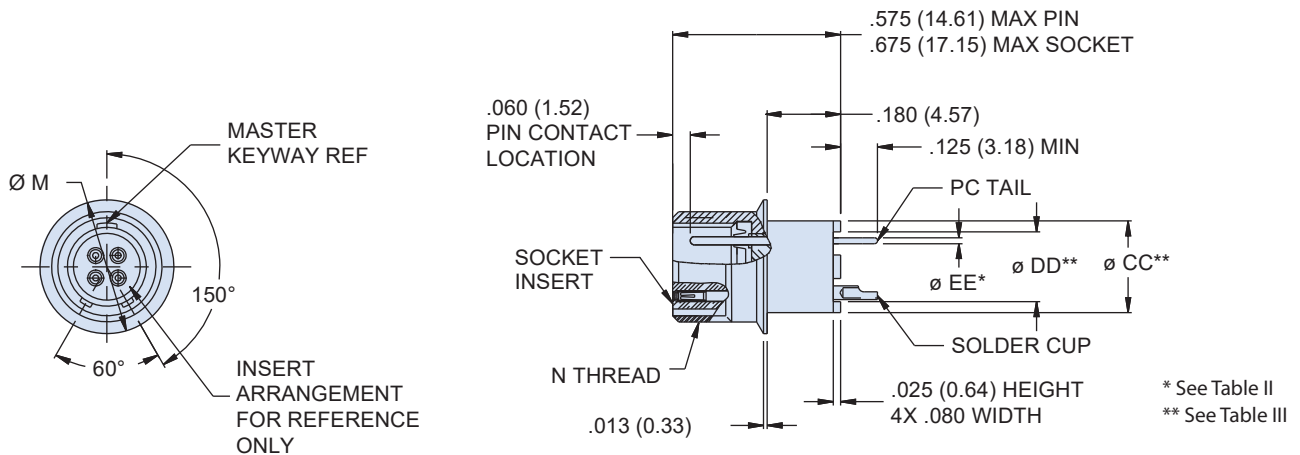
How To Order	
Sample Part Number	800-013 -02 Z1 6-7 P N
Series	800-013 Hermetic Receptacle
Shell Style (See Table I)	02 = Square Flange 03 = Solder Mount 07 = Jam-Nut
Shell Material and Finish	Z1 = Stainless Steel / Passivated RoHS Compliant ZL = Stainless Steel / Nickel Plated
Shell Size - Insert Arrangement	See Contact Arrangements page C-2
Contact Type	P = Pin, Solder Cup S = Socket, Solder Cup C = Pin, PC Tail D = Socket, PC Tail
Shell Keyway Position	N = Normal X = Pos. X Y = Pos. Y Z = Pos. Z

-02 Square Flange	-03 Solder Mount	-07 Jam-Nut

Contact Size	Ø EE
23	.022/.018
20	.028/.024
16	.064/.060
12	.096/.092

Shell Size	Ø CC O.D.	Ø DD O.D.
5	.290 (7.37)	.197 (5.00)
6	.330 (8.38)	.256 (6.50)
7	.380 (9.65)	.325 (8.25)
8	.450 (11.43)	.390 (9.91)
9	.500 (12.70)	.452 (11.48)
10	.575 (14.60)	.520 (13.21)
12	.660 (16.76)	.610 (15.49)

Solder mount receptacle - shell style 03 - shell size 5 and 6



Dimensions in Inches (millimeters) are subject to change without notice.

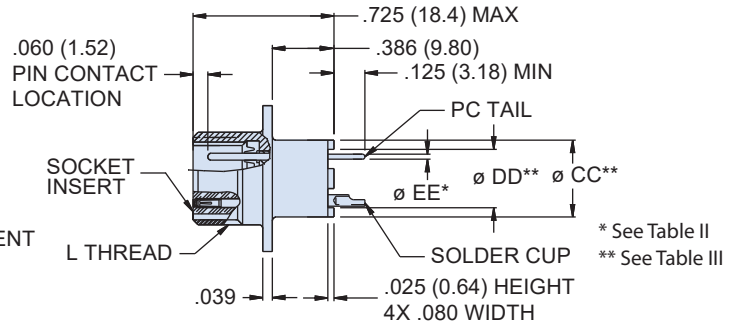
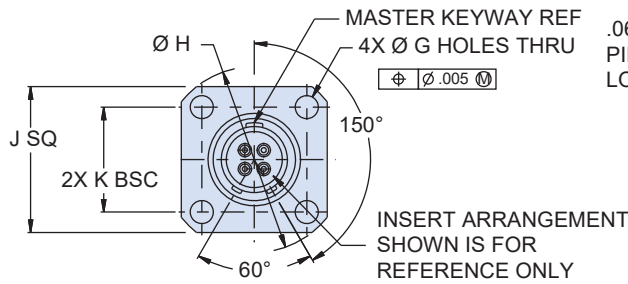
* See Table II
** See Table III

Series 800 Mighty Mouse, UN Mating Thread
PC Tail or Solder Cup, Hermetic Receptacle
800-013 Shell Size 5 and 6 Dimensions

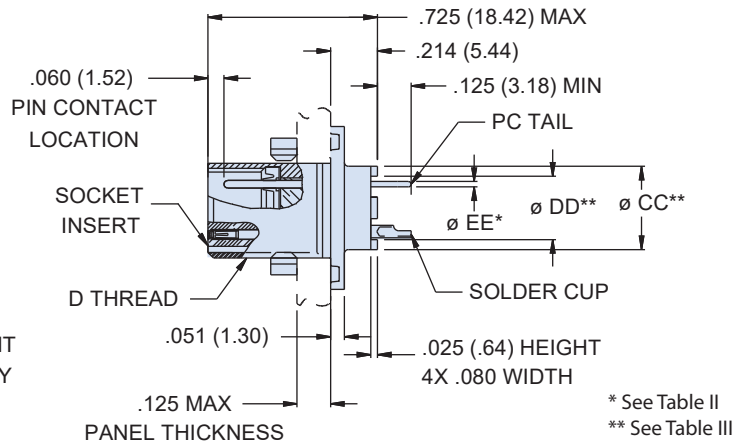
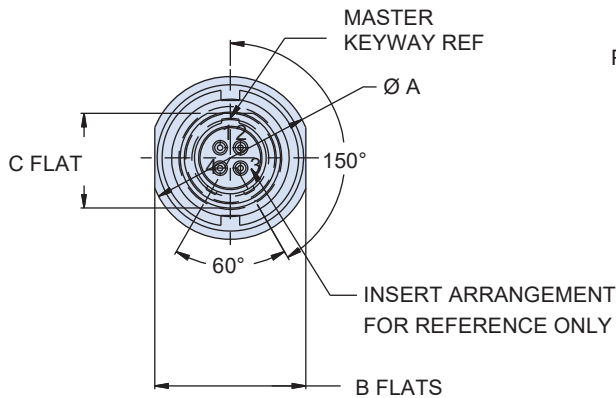


Series 800

Square flange mount receptacle - shell style 02 - shell size 5 and 6



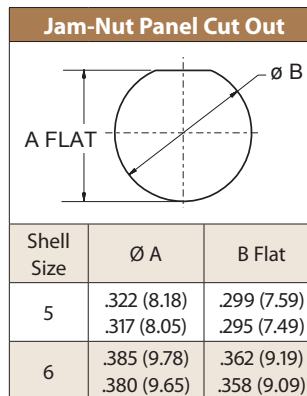
Jam nut mount receptacle - shell style 07 - shell size 5 and 6



Solder Mount Dimensions		
Shell Size	Ø M	N Thread
5	.400 (10.16)	.3125-28 UN-2A
6	.455 (11.56)	.3750-28 UN-2A

Square Flange Dimension					
Shell Size	Ø G	Ø H	J Sq	K BSC	L Thread
5	.096 (2.44)	.680 (17.27)	.527 (13.39)	.363 (9.22)	.3125-28 UN-2A
6	.091 (2.31)	.750 (19.05)	.588 (14.94)	.423 (10.74)	.3750-28 UN-2A

Jam-Nut Dimensions				
Shell Size	Ø A	B Flat	C Flat	D Thread
5	.541 (13.74)	.500 (12.70)	.285 (7.24)	.3125-28 UN-2A
6	.610 (15.49)	.562 (14.27)	.352 (8.94)	.3750-28 UN-2A



Material / finish:

- Shell: CRES / see How to Order Table
- Jam-nut: CRES 303; see How to Order Table
- Contact: alloy 52 gold plate
- Socket: fluorosilicone / N.A.
- Seals: fluorosilicone / N.A.
- Insulator, hermetic: glass / N.A.
- Insulator, socket: high-grade dielectric / N.A.

Master Key Positions, Shell Size 5-6		
	Position	
	N	150°
	X	140°
	Y	130°
	Z	120°

Dimensions in Inches (millimeters) are subject to change without notice.

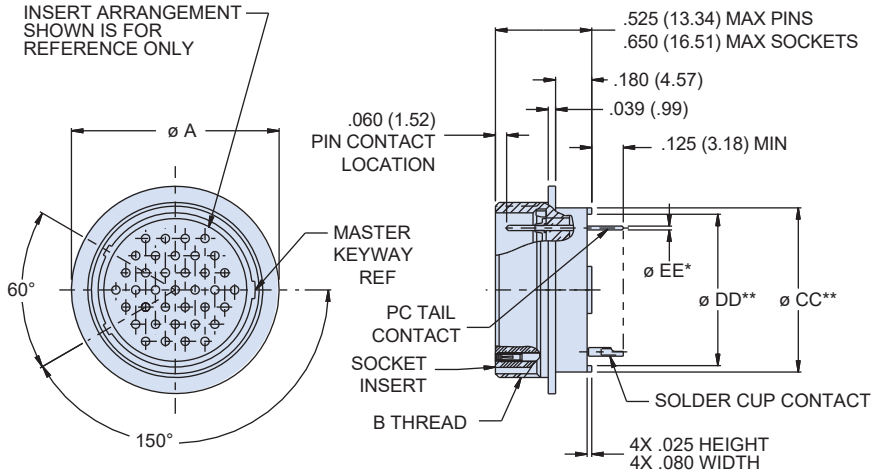


Series 800 Mighty Mouse, UN Mating Thread PC Tail or Solder Cup, Hermetic Receptacle 800-013 Shell Size 7 thru 12 Dimensions

Solder mount, front panel mount receptacle - shell style 03 - shell size 7 thru 12

Master Key Positions, Shell Size 7-12	
	Position
N	150°
X	140°
Y	130°
Z	120°

Solder Mount Dimensions		
Shell Size	Ø A	B Thread
7	.520 (13.21)	.4375-28 UNEF-2A
8	.650 (16.51)	.5000-32 UN-2A
9	.764 (19.41)	.5625-32 UN-2A
10	.775 (19.68)	.6250-32 UN-2A
12	.858 (21.79)	.7500-28 UN-2A



Material / finish:

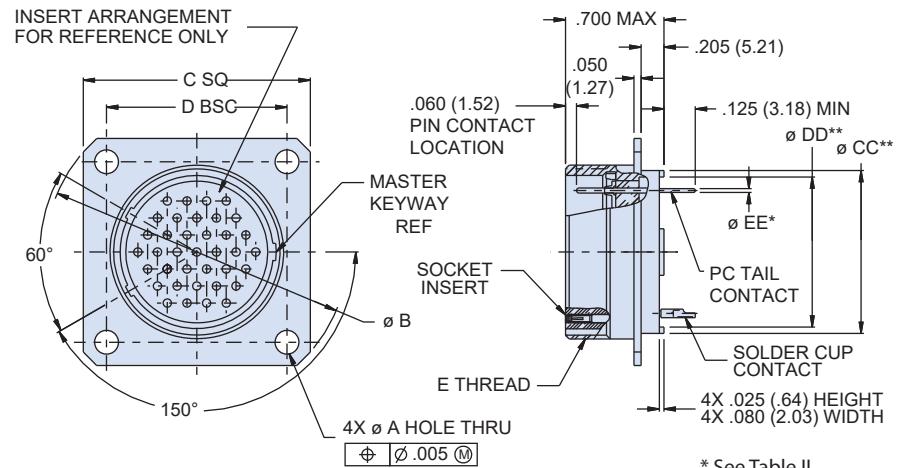
- Shell: CRES / see How to Order Table
- Contacts: alloy 52 / gold plate
- Sockets: copper alloy / gold plate
- Seals: fluorosilicone / N.A.
- Insulator, hermetic: fused glass / N.A.
- Insulator, socket: high-grade dielectric / N.A.

* See Table II
** See Table III

Square flange, front panel mount receptacle - shell style 02 - shell size 7 thru 12

Master Key Positions, Shell Size 7-12	
	Position
N	150°
X	140°
Y	130°
Z	120°

Square Flange Mount Dimensions					
Shell Size	Ø A	Ø B	C SQ	D BSC	E Thread
7	.096 (2.44)	.830 (21.08)	.650 (16.51)	.483 (12.27)	.4375-28 UNEF-2A
8	.091 (2.31)	.935 (23.75)	.710 (18.03)	.542 (13.77)	.5000-32 UN-2A
9	.130 (3.30)	1.250 (31.75)	.938 (23.83)	.719 (18.26)	.5625-32 UN-2A
10	.126 (3.20)	1.250 (31.75)	.938 (23.83)	.719 (18.26)	.6250-32 UN-2A
12		1.375 (34.92)	1.031 (26.19)	.812 (20.62)	.7500-28 UN-2A



Material / finish:

- Shell: CRES / see How to Order Table
- Contacts: alloy 52 / gold plate
- Socket: copper alloy / gold plate
- Seals: fluorosilicone / N.A.
- Insulator, hermetic: fused glass / N.A.
- Insulator, socket: high-grade dielectric / N.A.

* See Table II
** See Table III

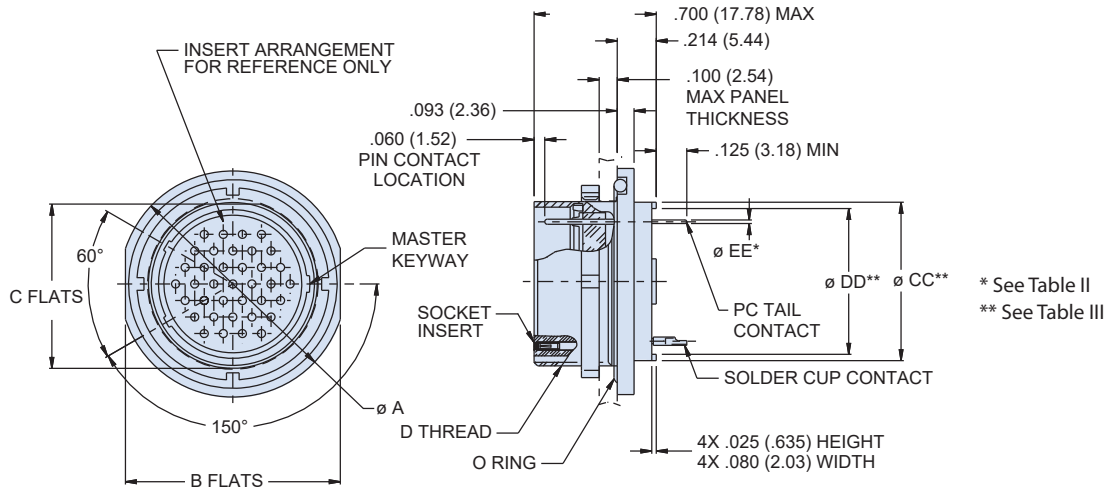
Dimensions in Inches (millimeters) are subject to change without notice.

Series 800 Mighty Mouse, UN Mating Thread
PC Tail or Solder Cup, Hermetic Receptacle
800-013 Shell Size 7 thru 12 Dimensions

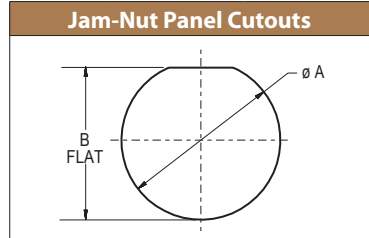


Series 800

Jam-nut, rear panel mount receptacle - shell style 07 - shell size 7 thru 12



Keyway Positions, Shell Size 7-12	
	Position
N	150°
X	140°
Y	130°
Z	120°



Jam-Nut Dimensions				
Shell Size	ϕA	B Flats	C Flats	D Thread
7	.670 (17.02)	.635 (16.13)	.411 (10.44)	.4375-28 UNEF-2A
8	.775 (19.68)	.735 (18.67)	.473 (12.01)	.5000-32 UN-2A
9	.875 (22.23)	.806 (20.47)	.530 (13.46)	.5625-32 UN-2A
10	.980 (24.89)	.940 (23.88)	.604 (15.34)	.6250-32 UN-2A
12	1.062 (26.97)	.986 (25.04)	.712 (18.08)	.7500-28 UN-2A

Shell Size	ϕA +.005 (.13) -.000 (.00)	B Flat $\pm .002 (.05)$
7	.443 (11.25)	.426 (10.82)
8	.505 (12.83)	.481 (12.22)
9	.567 (14.40)	.539 (13.69)
10	.630 (16.00)	.612 (15.54)
12	.755 (19.18)	.719 (18.26)

- Material / finish:
- Shell, jam-nut: CRES / see How to Order Table
 - Contacts: alloy 52 / gold plate
 - Sockets: copper alloy / gold plate
 - Seals: fluorosilicone / N.A.
 - Insulator, hermetic: fused glass / N.A.
 - Insulator, socket: high-grade dielectric / N.A.

Dimensions in Inches (millimeters) are subject to change without notice.



Series 800 Mighty Mouse, UN Mating Thread Jam-Nut Mount, Bulkhead Feed-Thru Connector

800-060 Ordering Information

Series 800 Bulkhead Feed-Thru Connector provides a separable connection on both sides of a mounting panel. Features pin-pin, socket-socket, or pin-socket contact styles. Available in seven shell sizes from 5 to 12 with copper alloy / gold-plated contacts. Connector shell is available in aluminum alloy or stainless steel. Six standard finishes available (see below). Contacts are factory-installed, and are non removable. Liquid crystal polymer insulator. Mates with all series 800 plug connectors with same polarization and opposite contact gender (800-006, 800-007, 800-008, and 800-009).

How To Order

Sample Part Number	800-060	-07	M	6-7	P	S	N
Series	800-060 = Feed-Through Jam-Nut Mount Feedthru						
Shell Style	07 = Jam-Nut						
Shell Material and Finish	C = Aluminum / Black Anodize (Non-Conductive) RoHS Compliant M = Aluminum / Electroless Nickel RoHS Compliant NF = Aluminum / Cadmium with Olive Drab Chromate ZNU = Aluminum / Zinc-Nickel with Black Chromate MT = Aluminum / Nickel-PTFE RoHS Compliant Z1 = Stainless Steel / Passivated RoHS Compliant						
Shell Size - Insert Arrangement	See Page C-2 for Contact Arrangements						
Contact Type* Jam-Nut Side	P = Pin S = Socket						
Contact Type* Other Side	P = Pin S = Socket						
Shell Key Position (See Table I)	N = Normal X = Pos. X Y = Pos. Y Z = Pos. Z						

* Connectors with PP and SS contact styles will cause the arrangement pattern to be mirrored about the vertical centerline.

Table I: Keyway Position

Key Position	Key Rotation	Shell Size 5 and 6 Key Positions	Shell Size 7 thru 12 Key Positions
N Normal	150°		
X	140°		
Y	130°		
Z	120°		
Shell size 5 and 6: master key is located at top dead center for normal (N) position. Shell size 7 thru 12: master key is rotated 90° from TDC for normal position.			

NOTES

1. Receptacle connector mates with all high density plug connectors with same polarization and opposite contact gender
2. Connectors with PP and SS contact styles will cause the arrangement pattern to be mirrored about the vertical centerline

Material / finish:

- Shell, jam-nut: aluminum alloy or CRES / see How to Order Table
- Insulator: LCP / N.A.
- Interfacial seal, O-ring, peripheral seal: fluorosilicone
- Contacts: copper alloy / gold plate per ASTM B 488, Typell, Code C, Class 1.25, over a suitable underplate

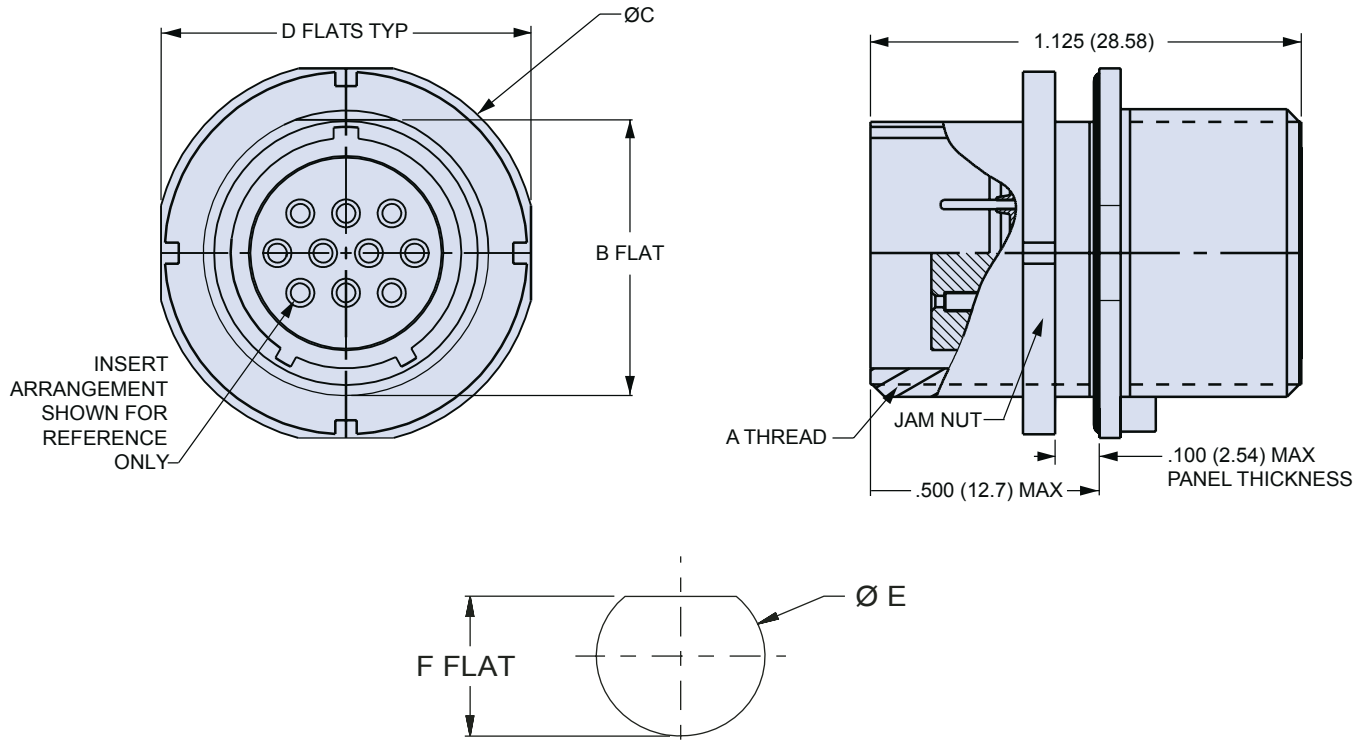
Dimensions in Inches (millimeters) are subject to change without notice.

Series 800 Mighty Mouse, UN Mating Thread
Jam-Nut Mount, Bulkhead Feed-Thru Connector
800-060 Dimensions



Series 800

Jam-nut, rear panel mount receptacle - shell style 07



RECOMMENDED PANEL CUTOUT

Shell Size	Dimensions				Panel Cutout Dimensions	
	A Thread	B Flat	Ø C	D Flat	Ø E ±.002 (.05)	F Flat
5	.3125-28 UN-2A	.289 (7.34)	.538 (13.67)	.497 (12.62)	.322 (8.18) .317 (8.05)	.299 (7.59) .295 (7.49)
6	.3750-28 UN-2A	.352 (8.94)	.602 (15.29)	.559 (14.20)	.385 (9.78) .380 (9.65)	.362 (9.19) .358 (9.09)
7	.4375-28 UNEF-2A	.418 (10.62)	.664 (16.87)	.643 (16.33)	.443 (11.25)	.428 (10.87) .424 (10.77)
8	.5000-32 UN-2A	.473 (12.01)	.770 (19.56)	.731 (18.57)	.505 (12.83)	.483 (12.27) .479 (12.17)
9	.5625-32 UN-2A	.530 (13.46)	.872 (22.15)	.803 (20.40)	.567 (14.40)	.540 (13.72) .536 (13.61)
10	.6250-32 UN-2A	.604 (15.34)	.976 (24.79)	.940 (23.88)	.630 (16.00)	.614 (15.60) .610 (15.49)
12	.7500-28 UN-2A	.712 (18.08)	1.062 (26.97)	.986 (25.04)	.755 (19.18)	.722 (18.34) .718 (18.24)

Dimensions in Inches (millimeters) are subject to change without notice.

Series 800 Harsh Environment Shielded Cordsets



High performance Mighty Mouse cordsets feature easy ordering and fast delivery. These fully shielded and watertight assemblies withstand abrasion, temperature extremes and chemicals. Flexible overmolding provides rugged, watertight protection to wire and shield. Two styles are available: **Style 1** features low smoke, zero halogen polyamide overmold and polyurethane cable jacket. **Style 2** features improved temperature operating range and highly flexible thermoplastic rubber overmold and cable jacket. Overmolded Mighty Mouse cordsets are suitable for military gear and other hostile environments where interconnect reliability and survivability is essential.

C

Product Features

- Single-ended or double-ended
- Rugged, watertight construction
- 100% electrically tested
- Flexible to -55°C. (Style 2)
- Stainless steel shield termination band
- Resistant to chemicals
- Withstands UV and ozone

High-Speed Cordsets

Controlled impedance twisted pair cordsets for Ethernet, USB and other protocols are available. Please refer to Section U

Harsh Environment Cordset Selection Guide

Property	Style 1 Polyurethane Jacket Polyamide Overmold	Style 2 Rubber Jacket Rubber Overmold
Cable jacket	Thermoplastic polyurethane (TPU), black	Thermoplastic elastomer (TPV), black
Overmold	Polyamide, black	Thermoplastic elastomer (TPV), black
Operating temperature	-30° C. to +105° C.	-55° C. to +135° C.
Flexibility	Good	Excellent
Water Resistance	Waterproof	Waterproof
Solvent Resistance, Cable Jacket	Excellent	Good
Solvent Resistance, Overmold	Fair ⁽¹⁾	Good
Weatherability	Excellent	Excellent
Abrasion Resistance	Excellent	Good
Flammability	Flame retardant UL 94 V-0	Flame retardant UL 94 HB
Low Smoke, Zero Halogen Cable Jacket	Yes	No
(1) Excellent resistance to most solvents, fuels, and oils; poor resistance to strong acids and bipolar solvents (alcohol)		

Specifications

Cable jacket	Style 1: thermoplastic polyurethane, black, low-smoke, zero-halogen Style 2: thermoplastic elastomer, black
Overmold	Style 1: polyamide Style 2: thermoplastic elastomer, black
Cable shield	Tin-coated copper braid, 90% minimum coverage
Conductors	Silver coated stranded wire, TFE insulated, per M22759/11
Shield Termination	Band-Master™ ATS stainless steel shield termination band
Current rating	#23–5 amps, #20–7.5 amps, #16–13 amps, #12–23 amps
Test voltage (DWV)	#23–750 Vac, #20–1000 vac, #16 and #12–1800 VAC sea level
Insulation resistance	200 Megohms minimum
Shielding effectiveness	50 dB minimum from 100MHz to 1000MHz.

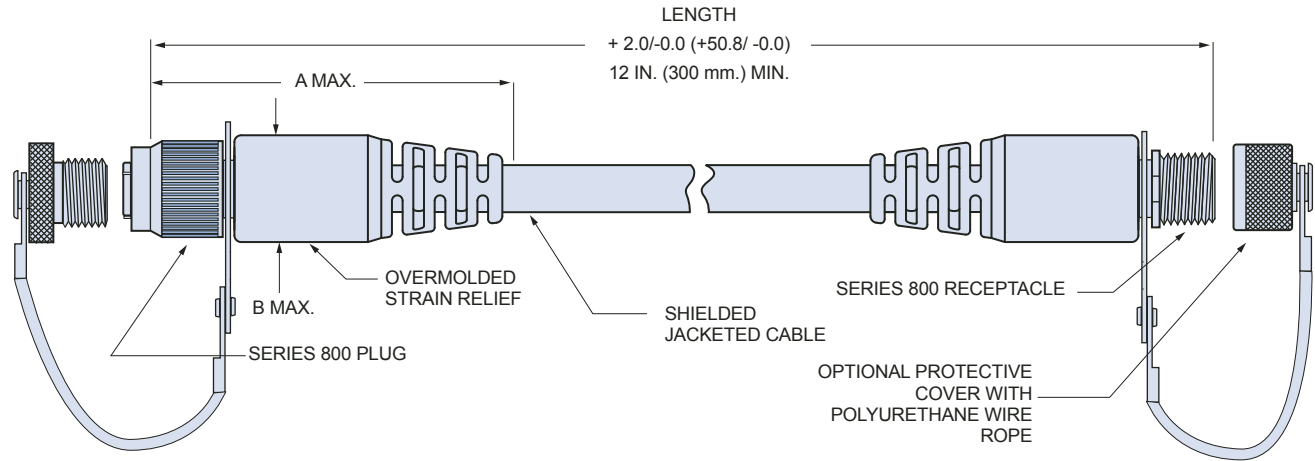
Dimensions in Inches (millimeters) are subject to change without notice.

Series 800 Mighty Mouse, UN Mating Thread Overmolded Cordsets

Dimensions



Series 800



C

Dimensions				
Shell Size	A Max.		B Max.	
	In.	mm.	In.	mm.
5	2.30	12.70	0.50	12.70
6	2.40	13.97	0.55	13.97
7	2.50	16.51	0.65	16.51
8	2.55	18.03	0.71	18.03
9	2.75	19.81	0.78	19.81
10	2.71	20.83	0.82	20.83
12	2.90	22.86	0.9	22.86

NOTES

1. Double-ended cordsets are wired pin #1 to pin #1, #2 to #2, and so on.
2. Wires are silver-coated stranded copper with TFE insulation, 600V, in accordance with M22759/11.
3. Wire color is white.

Dimensions in Inches (millimeters) are subject to change without notice.



Series 800 Mighty Mouse, UN Mating Thread Overmolded Cordsets

800-034, -056, -041, and -057 Ordering Information

C

Series 800 Cordsets with #23 Contacts									
Sample Part Number									
800-034	-A	C	K	2	M	8-28	N	X	-36
Series	End A Connector	End B Connector	Plug Style	Wire Size	Shell Material/ Finish	Insert Arr.	Protective Cover	Shell Key Pos.	Length
800-034 Style 1 Polyurethane Cable Jacket, Polyamide Overmold	-A Plug, with Male Pin Contacts	A Plug, with Male Pin Contacts	K Round Knurled Coupling Nut	2 #22 AWG	M Aluminum / Electroless Nickel	See Cont. Arr. Page C-2	P Metal Protective Covers Included	N Normal	Overall Length In Inches
800-056 Style 2 Rubber Cable Jacket and Rubber Overmold, #23 Contacts	-B Plug, with Female Socket Contacts	B Plug, with Female Socket Contacts	KL Round Knurled Coupling Nut, Self-Locking	4 #24 AWG	NF Aluminum / Cadmium with OD Chromate	Consult Factory for Combo Arr.	N No Covers Supplied	X Pos. X	12 Inch Min.
	-C Receptacle, with Male Pin Contacts	C Receptacle, with Male Pin Contacts	H Hex Coupling Nut		ZNU Aluminum / Zinc-Nickel with Black Chromate			Y Pos. Y	
	-D Receptacle, with Female Socket Contacts	D Receptacle, with Female Socket Contacts	HL Hex Coupling Nut, Self-Locking		MT Aluminum / Nickel-PTFE			Z Pos. Z	See page C-3
		N No Connector (Single-Ended)	N Receptacle Cable		Z1 Stainless Steel / Passivated				

Series 800 Cordsets with #20HD Contacts									
Sample Part Number									
800-041	-A	C	K	0	M	8-28	N	X	-36
Series	End A Connector	End B Connector	Plug Style	Wire Size	Shell Material / Finish	Insert Arr.	Protective Cover	Shell Key Pos.	Length
800-041 Style 1 Polyurethane Cable Jacket, Polyamide Overmold, #20HD Contacts	-A Plug, with Male Pin Contacts	A Plug, with Male Pin Contacts	K Round Knurled Coupling Nut	0 #20 AWG	M Aluminum / Electroless Nickel	See Cont. Arr. page C-2	P Metal Protective Covers Included	N Normal	Overall Length In Inches
800-057 Style 2 Rubber Cable Jacket and Rubber Overmold,	-B Plug, with Female Socket Contacts	B Plug, with Female Socket Contacts	KL Round Knurled Coupling Nut, Self-Locking	2 #22 AWG	NF Aluminum / Cadmium with OD Chromate	Consult Factory for Combo Arr.	N No Covers Supplied	X Pos. X	12 Inch Min.
	-C Receptacle, with Male Pin Contacts	C Receptacle, with Male Pin Contacts	H Hex Coupling Nut		ZNU Aluminum / Zinc-Nickel with Black Chromate			Y Pos. Y	
	-D Receptacle, with Female Socket Contacts	D Receptacle, with Female Socket Contacts	HL Hex Coupling Nut, Self-Locking		MT Aluminum / Nickel-PTFE			Z Pos. Z	See page C-3
		N No Connector (Single-Ended)	N Receptacle Cable		Z1 Stainless Steel / Passivated				

Dimensions in Inches (millimeters) are subject to change without notice.

Series 800 Mighty Mouse, UN Mating Thread Overmolded Cordsets

800-038, -058, -039, and -059 Ordering Information



Series 800

Series 800 Cordsets with #16 Power Contacts									
Sample Part Number									
800-038	-A	C	K	6	M	8-2	N	X	-36
Series	End A Connector	End B Connector	Plug Style	Wire Size	Shell Material / Finish	Insert Arr.	Protective Cover	Shell Key Pos.	Length
800-038 Style 1 Polyurethane Cable Jacket, Polyamide Overmold, #16 Contacts 800-058 Style 2 Rubber Cable Jacket and Rubber Overmold, #16 Contacts	-A Plug, with Male Pin Contacts	A Plug, with Male Pin Contacts	K Round Knurled Coupling Nut	6 #16 AWG	M Aluminum / Electroless Nickel	See Cont. Arr. Page C-2	P Metal Protective Covers Included	N Normal	Overall Length In Inches 12 Inch Min.
	-B Plug, with Female Socket Contacts	B Plug, with Female Socket Contacts	KL Round Knurled Coupling Nut, Self-Locking	8 #18 AWG	NF Aluminum / Cadmium with OD Chromate	Consult Factory for Combo Arr.	N No Covers Supplied	X Pos. X	
	-C Receptacle, with Male Pin Contacts	C Receptacle, with Male Pin Contacts	H Hex Coupling Nut		ZNU Aluminum / Zinc-Nickel with Black Chromate			Y Pos. Y	
	-D Receptacle, with Female Socket Contacts	D Receptacle, with Female Socket Contacts	HL Hex Coupling Nut, Self-Locking		MT Aluminum / Nickel-PTFE			Z Pos. Z	
		N No Connector (Single-Ended)	N Receptacle Cable		Z1 Stainless Steel / Passivated			See Keyway pos page C-3 See page C-3	

Series 800 Cordsets with #12 Power Contacts									
Sample Part Number									
800-039	-A	C	K	2	M	8-2	N	X	-36
Series	End A Connector	End B Connector	Plug Style	Wire Size	Shell Material / Finish	Insert Arr.	Protective Cover	Shell Key Pos.	Length
800-039 Style 1 Polyurethane Cable Jacket, Polyamide Overmold, #12 Contacts 800-059 Style 2 Rubber Cable Jacket and Rubber Overmold, #12 Contacts	-A Plug, with Male Pin Contacts	A Plug, with Male Pin Contacts	K Round Knurled Coupling Nut	2 #12 AWG	M Aluminum / Electroless Nickel	See Cont. Arr. Page C-2	P Metal Protective Covers Included	N Normal	Overall Length In Inches 12 Inch Min.
	-B Plug, with Female Socket Contacts	B Plug, with Female Socket Contacts	KL Round Knurled Coupling Nut, Self-Locking	4 #14 AWG	NF Aluminum / Cadmium with OD Chromate	Consult Factory for Combo Arr.	N No Covers Supplied	X Pos. X	
	-C Receptacle, with Male Pin Contacts	C Receptacle, with Male Pin Contacts	H Hex Coupling Nut		ZNU Aluminum / Zinc-Nickel with Black Chromate			Y Pos. Y	
	-D Receptacle, with Female Socket Contacts	D Receptacle, with Female Socket Contacts	HL Hex Coupling Nut, Self-Locking		MT Aluminum / Nickel-PTFE			Z Pos. Z	
		N No Connector (Single-Ended)	N Receptacle Cable		Z1 Stainless Steel / Passivated			See Keyway pos page C-3 See page C-3	

Dimensions in Inches (millimeters) are subject to change without notice.





Series 800 Mighty Mouse, UN Mating Thread Flexible, Lightweight Phantom Cable Cordsets

General Information

Series 800 Ultraflexible “Phantom Cable” Cordsets



Phantom Cable cordsets feature high-flex rubber-insulated wires, lightweight shield and overbraided jackets for maximum flexibility, reduced size and minimum weight. Flexible rubber overmold provides strain relief and environmental sealing. Available for all Mighty Mouse layouts with size #23 contacts, these cordsets are available with #24 through #28 AWG wire. EMI shield options include high-strength, ultralightweight **Amberstrand**, nickel-coated composite braid **ArmorLite** or lightweight, highly flexible tinned copper braid. Braid outer jackets are available with **NOMEX**[®], **HALAR**[®] or PTFE-coated fiberglass.

C

Product Features

- Overbraided cable jacket for excellent flexibility
- Ultra-lightweight AmberStrand[®] EMI shield
- 100% electrically tested
- Flexible to -55°C.
- Stainless steel shield termination band

Application Note

Overbraided textile jackets are ideal for applications where flexibility and weight are important. However, water can penetrate through the jacket and cable shield. Dust and contamination can also become entrapped in the braid. Braided jackets are prone to fraying damage caused by snagging on velcro closures and MOLLE vests. Extruded cable jackets are recommended if debris entrapment, moisture ingress or fraying damage are concerns.

Dimensions in Inches (millimeters) are subject to change without notice.

Braid Shield Selection Guide			
Property	Amberstrand [®]	Armorlite [®]	Copper
Type	nickel-coated high-strength super fiber	Micro-filament nickel-coated stainless steel	Tin-coated copper
Weight/ft. (0.5 in. ID)	3.7 grams	4.4 grams	22.3 grams
Operating Temp ⁽¹⁾	-65° C to +200° C	-80° C to +260° C	-80° C to +150° C
Coverage	90% min.	90% min.	90% min.
Flexibility	Excellent	Excellent	Good
Cost Comparison	\$\$\$	\$\$	\$

(1) Rubber wires and rubber overmold are rated for -55° C to +135° C.

Jacket Selection Guide			
Property	NOMEX [®]	HALAR [®]	PTFE Coated Fiberglass
Color	Black or olive drab	Black	Tan
Operating Temp ⁽¹⁾	-55° C to +260° C	-73° C to +150° C	-75° C to +300° C
Chemical Resistance	Excellent	Excellent	Excellent
Flammability	Self-extinguishing, will not melt	Fire retardant UL VW-1	Self-extinguishing
Toxicity	Non-toxic	Non-toxic	Non-toxic
Flexibility	Excellent	Excellent	Excellent
Abrasion resistance	Excellent	Excellent	Excellent

(1) Rubber wires and rubber overmold are rated for -55° C to +135° C.

Specifications	
Cable jacket	NOMEX [®] , HALAR [®] or PTFE-coated fiberglass
Temperature Range	-55° C to +135° C
Overmold	Thermoplastic elastomer, black
Cable shield	AmberStrand [®] , ArmorLite [®] or tinned copper, 90% minimum coverage
Conductors	Silver coated stranded wire, rubber insulation
Shield Termination	Band-Master™ ATS stainless steel shield termination band
Current rating	5 amps
Test voltage (DWV)	500 Vac
Insulation resistance	200 Megohms minimum
Shielding effectiveness	50 dB minimum from 100MHz to 1000MHz.

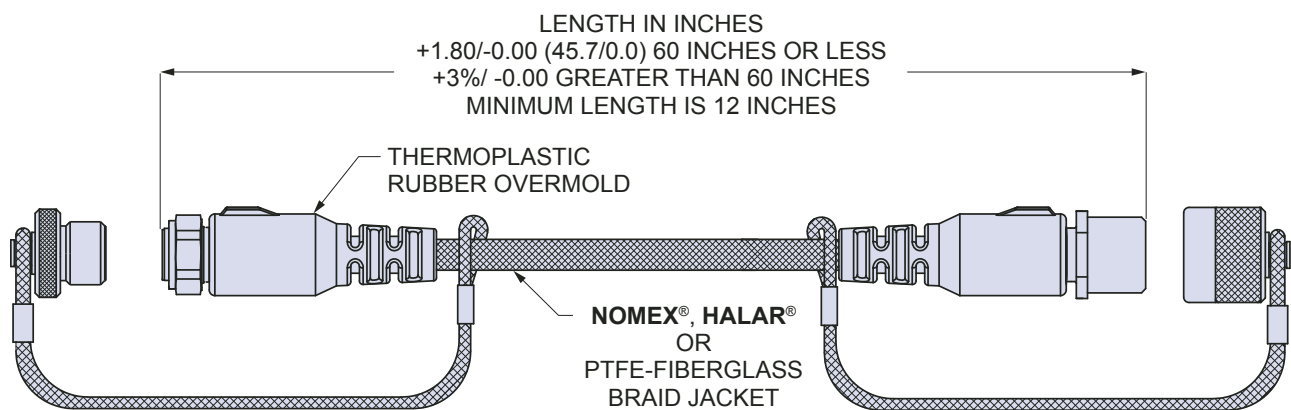
Series 800 Mighty Mouse, UN Mating Thread Flexible, Lightweight Phantom Cable Cordsets

800-052, -053, -054, -055 Ordering Information



Series 800

Series 800 "Phantom Cable" Cordsets size #12 thru #23 Contacts										
Sample Part Number										
800-053	-B	N	0	Z1	5-3	N	X	-60	C	N
Series	End A Connector	End B Connector	Wire Size	Shell Material/ Finish	Insert Arr.	Protective Cover	Shell Key Pos.	Length	Shield Option	Jacket Option
Size #23 Contacts 800-052 Phantom Cable Cordset	-A Plug, with Male Pin Contacts	A Plug, with Male Pin Contacts	Size #23 Contacts 2 #22 AWG	M Aluminum / Electroless Nickel	See Cont. Arr. Page C-2	P Metal Protective Covers Included	N Normal X Pos. X Y Pos. Y Z Pos. Z	Overall Length In Inches 12 Inch Min.	A Amberstrand B Armorlite C Tin-Coated Copper	N Nomex H Halar (Monofil) P Peek (Monofil)
Size #20 HD Contacts 800-053 Phantom Cable Cordset	-B Plug, with Female Socket Contacts	B Plug, with Female Socket Contacts	Size #20 HD Contacts 4 #24 AWG	NF Aluminum / Cadmium with OD Chromate	Consult Factory for Combo Arr.	N No Covers Supplied				
Size #16 Contacts 800-054 Phantom Cable Cordset	-C Rec. with Male Pin Contacts	C Rec. with Male Pin Contacts	Size #20 HD Contacts 0 #20 AWG	ZNU Aluminum / Zinc-Nickel with Black Chromate			See page C-3			
	-D Rec. with Female Socket Contacts	D Rec. with Female Socket Contacts	2 #22 AWG	MT Aluminum / Nickel-PTFE						
		N No Connector (Single-Ended)	Size #16 Contacts 6 #16 AWG 8 #18 AWG	Z1 Stainless Steel / Passivated						
Size #12 Contacts 800-055 Phantom Cable Cordset			Size #12 Contacts 2 #12 AWG 4 #14 AWG							



NOTES

1. Double-ended cordsets are wired pin #1 to pin #1, #2 to #2, and so on.
2. Wires are silver-coated stranded copper with TPE insulation, 600V, UL VW-1 rated.
3. Wires are white with color stripe per MIL-STD-681. Wire #1 is WHT/BLK, wire #2 is WHT/BRN, etc.

Dimensions in Inches (millimeters) are subject to change without notice.

SERIES 80

MIGHTY MOUSE

Series 801 double start stub ACME thread, crimp rear-release contacts



Glenair series 801 Mighty Mouse Connectors are ideally suited for use in applications such as military air frames, tactical ground weaponry and dismounted soldier applications. These connectors feature double-start ACME threads with anti-decoupling spring or ratchet and provide faster mating requiring only 1½ turns to fully engage mate. Every connector incorporates crimp rear-release contacts and are available with integral band platform or with accessory threads for attachment of backshells or strain reliefs. Contact arrangements available from 1 up to 130 and are available with printed circuit board contacts.

Glenair®

Glenair, Inc.
1211 Air Way
Glendale, CA 91201-2497
818-247-6000
sales@glenair.com
www.glenair.com

Series 801 Mighty Mouse Double-Start ACME Thread Table of Contents and Introduction



Series 801

PRODUCT SELECTION GUIDE



Plug with Crimp Contacts

Connectors are supplied with rear release crimp contacts. Features integral band platform, for cable shield termination and integral boot groove or select accessory threads for attachment of backshell or strain relief. Self locking anti-decoupling mechanism to prevent loosening under high vibration

Page D-14



Panel Mount Plug with Crimp Contacts, PC Tail or Solder Cup

801-113 panel plug connector with rear release crimp contacts or for PCB applications select 801-114 PCB panel plug connector with non-removable PC tail or solder cup contacts backpotted and paralyene compatible. Both connectors incorporate self locking anti-decoupling mechanism to prevent loosening under high vibration

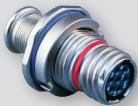
Page D-16



Right Angle, Low Profile Cobra™ Plug

Connectors feature an integrated backshell equipped with a removable rear cover and gasket providing an easy path to installing the supplied rear release crimp contacts. Ultra low profile design reduces hooking and snagging of cables. Self locking anti-decoupling mechanism to prevent backoff.

Page D-18



Receptacle with Rear Release Crimp Contacts

Connectors are supplied with rear release crimp contacts. Features integral band platform, for cable shield termination and integral boot groove or select accessory threads for attachment of backshell or strain relief. Contacts are packaged with the connector. Jam-nut, square flange and in-line versions available.

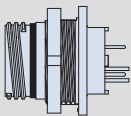
Page D-16



Receptacle with PC Tails or Solder Cup Contacts

These panel mount connectors feature non-removable contacts. Choose PC Tails for attachment to flexible ribbon or rigid board. Select solder cup contacts for direct wire connection. Connectors are potted with epoxy for general purpose applications, or choose silicone-sealed, leak-tested versions for 1 meter water immersion. Paralyene compatible.

Page D- 23



Receptacle with Twinax PC Tail Contacts

PCB board level connectors are available in four mounting styles including, Square Flange with thru-holes, square flange with clinch nuts, square flange with locking clinch nuts, and jam-nut. Offered with 16 insert arrangements with pin or socket PC tails.

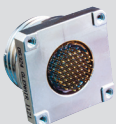
Page D-26



Right Angle Jam-Nut Rear Panel Mount, PCB Header Receptacle

Supplied with factory-installed, non-removable, epoxy-sealed PC tail contacts. Stainless steel threaded inserts for rigid boards attachment.

Page D-29

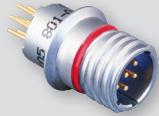


Jam-Nut, Rear Panel Mount PCB Receptacle

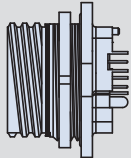
Features gold plated copper alloy non-removable PC tail contacts. Integral threaded .025 (.64) standoff for board washout. Choice of stainless steel or aluminum alloy shells. Backpotted and paralyene compatible.

Page D-33

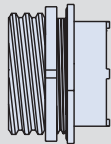
Dimensions in Inches (millimeters) are subject to change without notice.

PRODUCT SELECTION GUIDE

Hermetic Receptacle

Stainless steel, glass-sealed connectors are available with solder cup or PC tail contacts. Choose jam-nut, square flange or solder mount versions. Contacts are gold plated iron alloy. 100% tested to less than 1×10^{-7} cc/sec helium leak rate.

Page D-35

Board Mount Hermetic Receptacle with PC Tails

Corrosion resistant stainless steel, glass-sealed connectors. Shell styles include jam-nut and square flange mount. Threaded mounting holes for high vibration and shock environments. Contacts are gold plated nickel alloy. 100% tested to less than 1×10^{-7} cc/sec helium leak rate.

Page D-39

Hermetic Receptacle with Co-Ax Contacts

Stainless steel, glass-sealed connectors with size 16 (up to 700 MHz) and size 12 (up to 3 GHz) co-ax contacts. Jam-nut, square flange or solder mount shell styles available. Contacts are gold plated nickel alloy. 100% tested to less than 1×10^{-7} cc/sec helium leak rate.

Page D-42

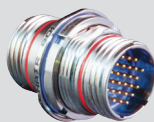
Hermetic PCB Receptacle with Co-Ax Contacts

Stainless steel glass-sealed connectors offer excellent corrosion protection. Available with size 16 and 12 Co-Ax contacts. Choose jam-nut, square flange or solder mount shell styles. Contacts are gold plated nickel alloy. 100% tested to less than 1×10^{-7} cc/sec helium leak rate.

Page D-46

801-074 Bulkhead Feed-Thru Connector

Jam-Nut mount feedthru provide a separable connection on both sides of a mounting panel. Available for shell sizes 5 to 21. This connector mates with all quick coupling high density plug connectors with the same polarization and opposite contact genders (801-001, 801-002, 801-007, and 801-008).

Page D-49

801-121 Hermetic Bulkhead Feed-thru Connector

Jam-Nut mount feedthru provide a separable hermetic connection on both sides of a mounting panel. Stainless steel, glass-sealed connectors with size 16 and 12 Co-Ax contacts. Available with size 16 and 12 contacts. Choose jam-nut, square flange or solder mount versions. Contacts are gold plated nickel alloy. 100% tested to less than 1×10^{-7} cc/sec helium leak rate.

Page D-51

Series 801 Sav-Con® Connector Savers

Protect expensive test equipment and cables with Glenair Sav-Con® connector savers. These plug/receptacle adapters feature non-removable contacts and anti-decoupling mechanism to prevent loosening under vibration.

Page D-53

Series 801 Cordsets

Choose overmolded or overbraided cordsets for your specific application. Overmolded sets are low smoke and offer excellent all-weather cable protection, overbraided sets are ultraflexible and available with Nomex®, Halar® or PTFE-coated fiberglass.

Page D-55

Dimensions in Inches (millimeters) are subject to change without notice.

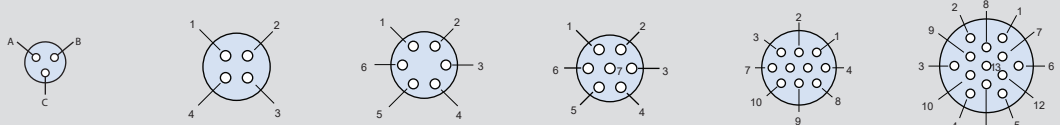
Series 801 Mighty Mouse Double-Start ACME Thread

Contact Arrangements, Mating Face of Pin Insert Shown

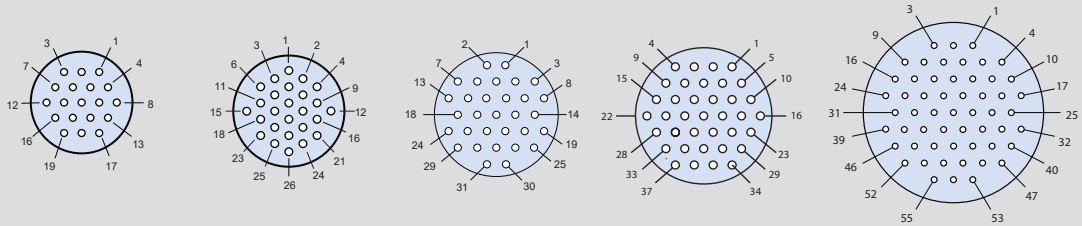


Series 801

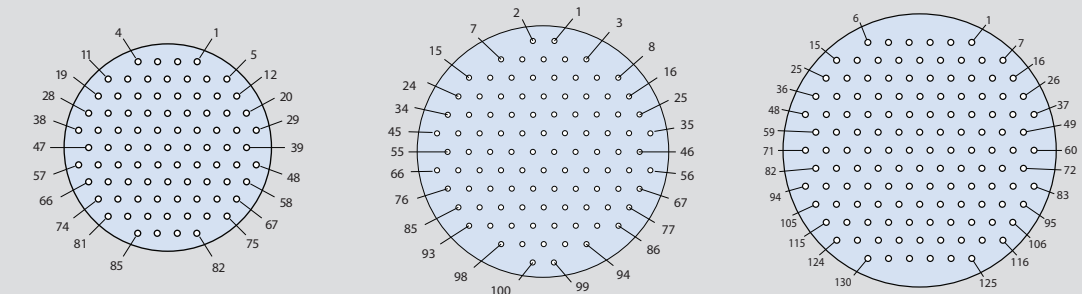
Size #23 Signal Contacts, Tested at 1800 VAC



Insert Arrangement	5-3	6-4	6-6	6-7	7-10	8-13
No. of Contacts	3	4	6	7	10	13



Insert Arrangement	9-19	10-26	11-31	13-37	16-55
No. of Contacts	19	26	31	37	55



Insert Arrangement	17-85	19-100	21-130
No. of Contacts	85	100	130



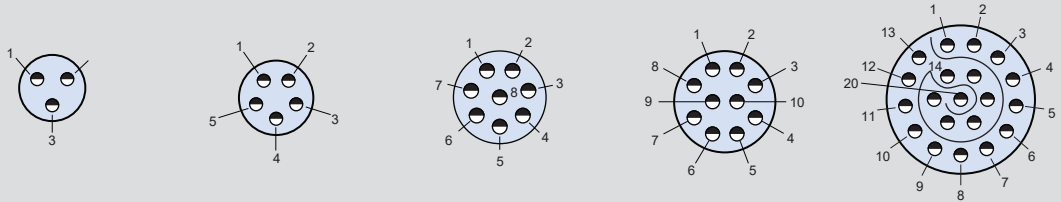
Dimensions in Inches (millimeters) are subject to change without notice.



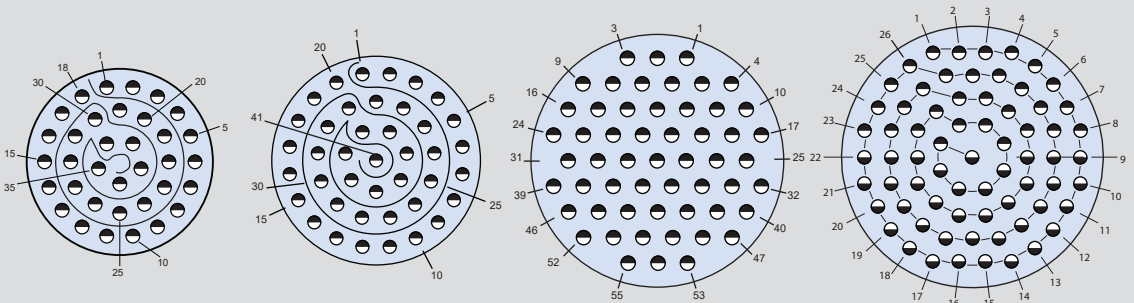
Series 801 Mighty Mouse Double-Start ACME Thread

Contact Arrangements, Mating Face of Pin Insert Shown

Size #20HD Power Contact Arrangements, Tested at 1000 VAC



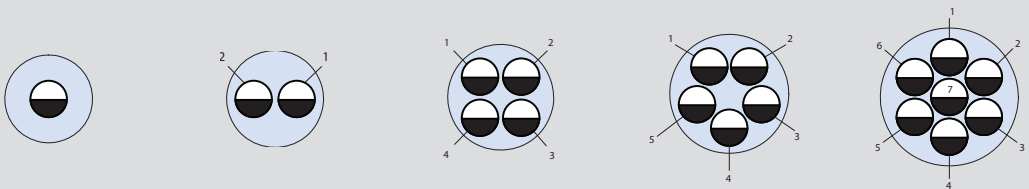
Insert Arrangement	6-23	7-25	8-28	9-210	13-220
No. of Contacts	3	5	8	10	20



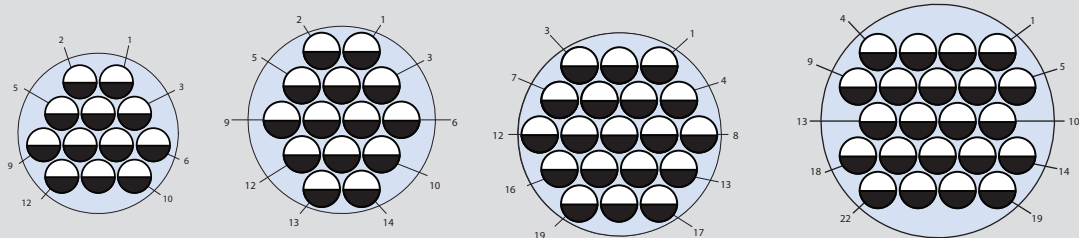
Insert Arrangement	16-235	17-241	19-255	21-269
No. of Contacts	35	41	55	69

D

Size #16 Power Contact Arrangements, Tested at 1800 VAC



Insert Arrangement	6-1	8-2	9-4	10-5	13-7
No. of Contacts	1	2	4	5	7



Insert Arrangement	16-12	17-14	19-19	21-22
No. of Contacts	12	14	19	22

Dimensions in Inches (millimeters) are subject to change without notice.

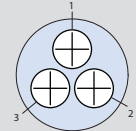
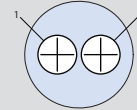
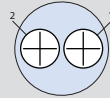
Series 801 Mighty Mouse Double-Start ACME Thread

Contact Arrangements, Mating Face of Pin Insert Shown

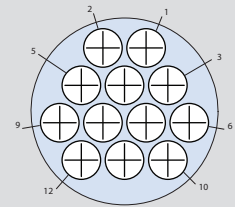
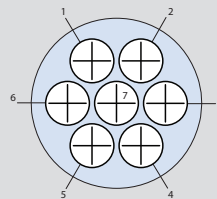
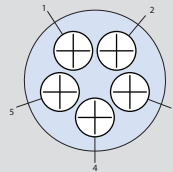
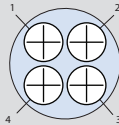


Series 801

Size #12 Power Contact Arrangements, Tested at 1800 VAC



Insert Arrangement	7-1	10-2	13-2	13-3
No. of Contacts	1	2	2	3

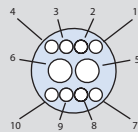
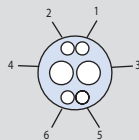


Insert Arrangement	16-4	16-5	17-7	21-12
No. of Contacts	4	5	7	12



Size #8 Power Arrangements Available for Series 801 Connectors, See Section K for Details

Size #20 Power and Size #23 Signal, Combo Contact Arrangements



Insert Arrangement	8-200		9-201	
Contact Size	#20	#23	#20	#23
No. of Contacts	2	4	2	8
VAC Test Voltage	750		750	

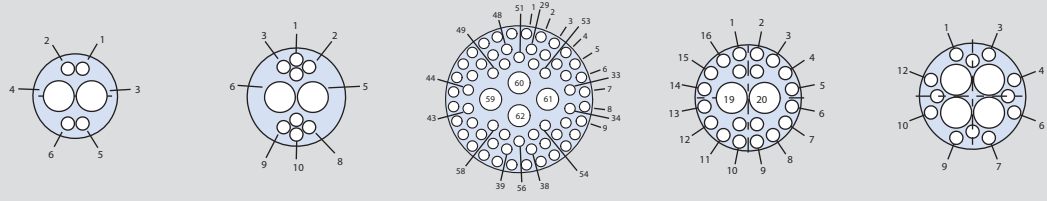
Dimensions in Inches (millimeters) are subject to change without notice.



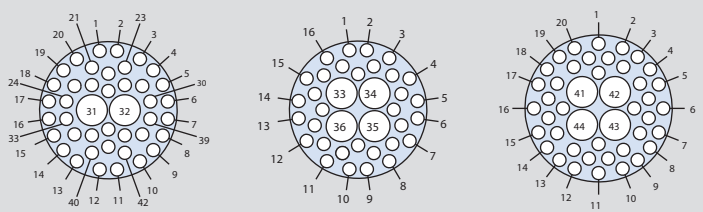
Series 801 Mighty Mouse Double-Start ACME Thread

Contact Arrangements, Mating Face of Pin Insert Shown

Size #16 Power and Size #23 Signal, Combo Contact Arrangements



Insert Arrangement	9-200		10-202		17-206		13-202		13-203	
Contact Size	#16	#23	#16	#23	#16	#23	#16	#23	#16	#23
No. of Contacts	2	4	2	8	4	58	2	20	4	12
VAC Test Voltage	750		750		750		1300		1300	

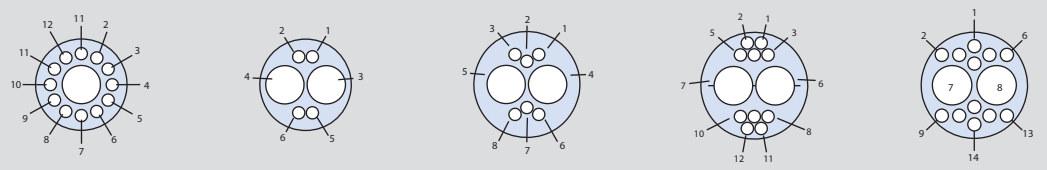


Insert Arrangement	16-204		16-205		17-203	
Contact Size	#16	#23	#16	#23	#16	#23
No. of Contacts	2	40	4	32	4	40
VAC Test Voltage	1300		1300		1300	

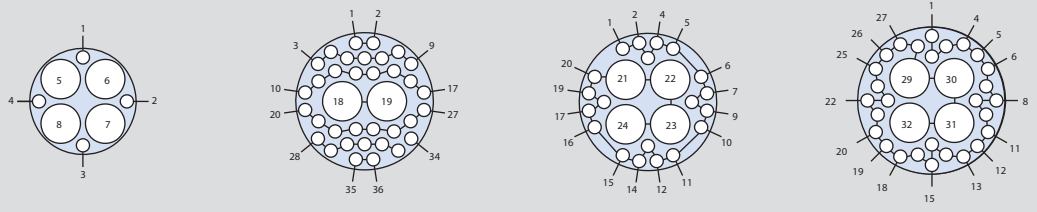
Size #8 Contact Arrangements Available for Series 801 Connectors, See Section K for Details

D

Size #12 Power and Size #23 Signal, Combo Contact Arrangements



Insert Arrangement	10-200		10-201		13-200		13-201		13-204	
Contact Size	#12	#23	#12	#23	#12	#23	#12	#23	#12	#23
No. of Contacts	1	12	2	4	2	6	2	10	2	12
VAC Test Voltage	750		750		750		750		1300	



Insert Arrangement	13-205		16-206		16-207		17-204	
Contact Size	#12	#23	#12	#23	#12	#23	#12	#23
No. of Contacts	4	4	2	34	4	20	4	28
VAC Test Voltage	1300		1300		1300		1300	

Dimensions in Inches (millimeters) are subject to change without notice.

Series 801 Mighty Mouse Double-Start ACME Thread Panel Cutout Dimensions and Polarization



Series 801

Panel Cutout Dimensions

Jam-Nut, Rear Panel Mount		
Shell Size	B Flat +.004 (.10) -.000 (.00)	Ø A +.005 (.13) -.000 (.00)
5	.354 (8.99)	.380 (9.65)
6	.414 (10.52)	.443 (11.25)
7	.540 (13.72)	.567 (14.40)
8	.540 (13.72)	.567 (14.40)
9	.600 (15.24)	.630 (16.00)
10	.662 (16.81)	.693 (17.60)
11	.724 (18.39)	.760 (19.30)
13	.849 (21.56)	.880 (22.35)
16	1.026 (26.06)	1.067 (27.10)
17	1.100 (27.94)	1.130 (28.70)
19	1.231 (31.27)	1.255 (31.88)
21	1.350 (34.29)	1.380 (35.05)

Weld Mount		
Shell Size	Ø A	B Flat ±.002 (0.05)
5	.606 (15.39)	.180 (4.57)
6	.671 (17.04)	.240 (8.38)
7	.736 (18.69)	.330 (6.10)
8	.794 (20.17)	.390 (9.91)
9	.918 (23.32)	.455 (11.56)
10	.981 (24.92)	.520 (13.21)
11	1.068 (27.13)	.580 (14.73)
13	1.168 (29.67)	.610 (15.49)
16	1.294 (32.87)	.775 (19.69)
17	1.366 (34.70)	.825 (20.96)
19	1.501 (38.13)	.930 (23.62)
21	1.631 (41.43)	1.080 (27.43)

Square Flange, Rear Panel Mount			
Shell Size	G Bsc	H Holes	Ø R ±.005 (.13)
5	.363 (9.22)	.096 (2.44)	.328 (8.33)
6	.423 (10.74)		.390 (9.91)
7	.483 (12.27)	.091 (2.31)	.453 (11.51)
8	.545 (13.84)		.515 (13.08)
9	.607 (15.42)	.130 (3.30) .126 (3.20)	.578 (14.68)
10	.670 (17.02)		.640 (16.26)
11	.715 (18.16)		.703 (17.86)
13	.812 (20.62)		.828 (21.03)
16	.981 (24.92)		1.015 (25.78)
17	1.060 (26.92)		1.078 (27.38)
19	1.191 (30.25)		1.203 (30.56)
21	1.322 (33.58)		1.328 (33.73)



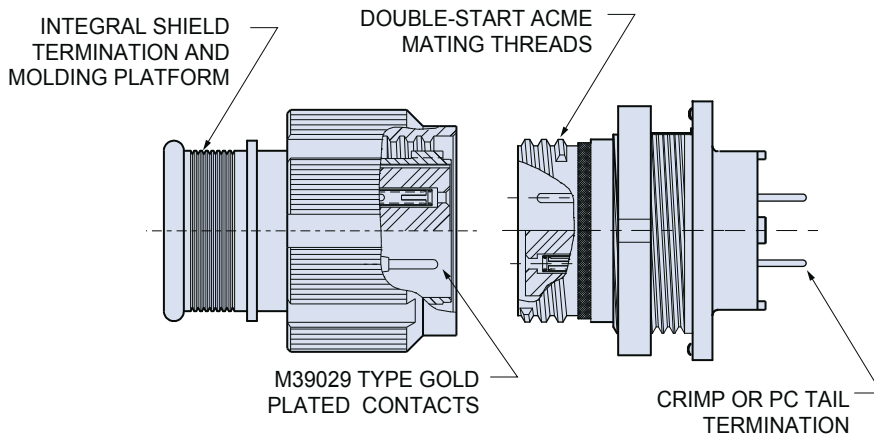
Polarization

Plug Key Positions		
Position	A°	B°
A	150°	210°
B	75°	210°
C	95°	230°
D	140°	275°
E	75°	275°
F	95°	210°

Receptacle Keyway Positions		
Position	A°	B°
A	150°	210°
B	75°	210°
C	95°	230°
D	140°	275°
E	75°	275°
F	95°	210°

Dimensions in Inches (millimeters) are subject to change without notice.

Series 801 Mighty Mouse Double-Start ACME Thread General Information



- Double-Start ACME Thread with anti-decoupling spring or ratchet
- Crimp Rear Release Contacts
- Integral Band Platform
- Available with Size #12, #16, #20, #20HD and #23 Contacts
- Environmentally Sealed

D

Glenair Series 801 Mighty Mouse Offers Mil-Spec Performance in a Lightweight, Ultraminiature Package

The 801 Series Mighty Mouse is ideal for use in high-density packaging applications where traditional military circular connectors are too large or too heavy. The double-start threads provide full mating in 1½ turns, and the plug features an anti-decoupling spring for vibration resistance. The unique integral molding/band platform allows direct shield attachment and cable overmolding. Receptacles are available with printed circuit board contacts. Plugs have anti-decoupling wave spring, or specify ratchet mechanism for added security.



Specifications

Current Rating	#23–5 A, #20HD–7.5 A, #16–13 A, #12–23 A
Dielectric Withstanding Voltage	#23–750 VAC, #20HD–1000 VAC, #12 and #16–1800 VAC
Insulation Resistance	5000 megohms minimum
Operating Temperature	-65° C. to +175° C.
Shock	300 g.
Vibration	37 g.
Shielding Effectiveness	55 dB minimum from 100MHz to 1000MHz.
Durability	2000 mating cycles
See Series 80 General Information for complete performance specs.	

Materials and Finishes

Shells, Jam-Nuts	Aluminum alloy or stainless steel
Contacts	Copper alloy, 50 µlnch gold plated
Insulators	High-Grade Rigid Dielectric
Contact Retention Clip	Beryllium copper alloy
Interfacial Seal, O-rings, Wire Sealing Grommet	Fluorosilicone rubber
See Series 80 General Information for complete material and finish specs.	

Dimensions in Inches (millimeters) are subject to change without notice.

Series 801 Mighty Mouse Double-Start ACME Thread Connector Weight and Size Comparison



Series 801



Series 801

D38999

Series 801 Connectors Offer Up To 71% Weight Savings and 52% Size Reduction When Compared to D38999 Series III Connectors.

The Comparison Tables on this page show the actual weight and size reductions that can be achieved by using Glenair Series 801 connectors instead of MIL-DTL-38999 Series III.

Weight Comparison: Series 801 Vs. D38999 Series III

Series 801 Layout	Number of Contacts	D38999 Layout	Number of Contacts	Series 801	D38999 Aluminum	% Weight Savings	D38999 Composite	% Weight Savings
5-3	3	9-98	3	7.8	27.2	71%	21.7	64%
6-7	7	9-35	6	9.5	25.6	63%	19.9	52%
9-19	19	13-35	22	18.0	45.9	61%	38.5	53%
13-37	37	15-35	37	32.5	65.3	50%	57.4	43%
16-55	55	17-35	55	47.1	78.5	40%	65.6	28%
17-85	85	21-35	79	51.3	112.4	54%	99.1	48%
21-130	130	25-35	128	75.6	159.3	53%	136.6	45%

D

Weights shown include contacts and represent a mated pair of plug and jam-nut receptacle. Weights are in grams. D38999 weights are based on published data from a leading manufacturer.

Size Comparison: Series 801 Vs. D38999 Series III

Series 801 Layout	Number of Contacts	D38999 Layout	Number of Contacts	Cable Plug Diameter					Jam-Nut Receptacle Diameter				
				Series 801		D38999		% Reduction	Series 801		D38999		% Reduction
				In.	mm.	In.	mm.		In.	mm.	In.	mm.	
5-3	3	9-98	3	.540	13.72	.859	21.82	37%	.575	14.61	1.204	30.58	52%
6-7	7	9-35	6	.600	15.24	.859	21.82	30%	.635	16.13	1.204	30.58	47%
9-19	19	13-35	22	.810	20.57	1.156	29.36	30%	.830	21.08	1.516	38.51	45%
13-37	37	15-35	37	1.050	26.67	1.281	32.54	18%	1.078	27.38	1.641	41.68	34%
16-55	55	17-35	55	1.240	31.50	1.406	35.71	12%	1.264	32.11	1.766	44.86	28%
17-85	85	21-35	79	1.300	33.02	1.641	41.68	21%	1.325	33.66	2.078	52.78	36%
21-130	130	25-35	128	1.550	39.37	1.890	48.01	18%	1.625	41.28	2.323	59.00	30%

Dimensions in Inches (millimeters) are subject to change without notice.



Series 801 Mighty Mouse Double-Start ACME Thread Connector Weights

D

Series 801 Connector Weights (maximum connector weight in grams)					
Contact Arr.	Cable Plug	Jam-Nut Recep Crimp	Jam-Nut Recep PCB	Square Flange Recep Crimp	Square Flange Recep PCB
5-3P	4.8	3.7	4	2.2	2.4
5-3S	5	3.9	4.1	2.2	2.6
6-1P	6.2	4.7	5.1	3	3.2
6-1S	6.5	5.1	5.4	3.3	3.5
6-4P	6.2	4.7	5.1	3	3.2
6-4S	6.4	5	5.2	3.1	3.3
6-6P	6.3	4.7	5.1	2.9	3.2
6-6S	6.5	5.1	5.4	3.1	3.5
6-7P	5.9	4.5	5.1	3.2	3.7
6-7S	6.2	4.8	5.2	3.5	3.9
6-23P	6.2	4.8	5.1	3	4
6-23S	6.6	5.2	5.4	3.2	4.3
7-1P	8.6	7.2	7.9	5	5.7
7-1S	9.1	7.7	8.5	5.5	6.3
7-10P	8.4	6.9	7.7	4.7	5.5
7-10S	8.8	7.4	7.9	5.2	5.7
7-25P	7.9	7.1	7.8	4.8	5.6
7-25S	8.3	7.7	8.3	5.5	6.1
8-1P	12.6	11.3	12.4	9	10.3
8-1S	15.1	13.6	15	11.4	13
8-2P	9.8	8.5	9.6	6.2	7.5
8-2S	10.6	9.2	10.3	6.9	8.3
8-28P	10	8.7	10.2	6.4	8.1
8-28S	11.1	9.7	10.9	7.4	8.9
8-13P	9.1	7.8	8.9	5.5	6.8
8-13S	9.8	8.4	9.4	6.2	7.2
8-200P	10.1	8.8	9.9	6.5	7.8
8-200S	10.8	9.5	10.6	7.2	8.5
9-4P	12	9.6	11.8	8.4	9.5
9-4S	13	11.7	12.8	9.4	10.5
9-19P	11.1	8.7	10.1	6.4	7.8
9-19S	12	9.6	10.7	7.3	8.4
9-200P	11.4	10.1	11.2	7.8	8.9
9-200S	12.5	11.2	12.3	8.9	10
9-201P	10.6	9.2	10.3	7.3	8.4
9-201S	12.7	11.3	12.4	9	10.1
9-210P	11.8	9.4	11.3	8.2	9
9-210S	13	11.7	12.5	9.4	10.2
10-2P	17.1	13.6	13.9	15.2	13.1
10-2S	18.4	14.9	15.5	16.5	14.7
10-5P	17.4	13.9	14.9	15.5	14.1
10-5S	18.8	15.3	16.3	16.9	15.5
10-26P	15.6	12.1	13.1	13.8	9.6

Series 801 Connector Weights (maximum connector weight in grams)					
Contact Arr.	Cable Plug	Jam-Nut Recep Crimp	Jam-Nut Recep PCB	Square Flange Recep Crimp	Square Flange Recep PCB
10-26S	16.8	13.3	13.8	18.4	10.1
10-200P	16.5	13	14	14.6	11
10-200S	17.9	14.4	15.4	16.1	12.4
10-201P	16.8	13.3	14.3	15	11.3
10-201S	18.4	14.9	15.8	16.5	12.9
10-202P	16.4	12.9	13.9	14.5	10.9
10-202S	17.9	14.4	15.4	16.1	12.4
11-31P	19.2	15	16.9	16.6	16.1
11-31S	21.5	16.9	18.3	18.5	17.5
13-2P	20.8	18.9	18.9	18.9	16.6
13-2S	22.4	20.6	20.6	20.6	18.3
13-3P	21.8	19.9	19.9	19.9	17.6
13-3S	23.5	21.7	21.7	21.7	19.4
13-7P	22	20.1	20.1	20.1	17.8
13-7S	24.6	22.8	22.8	22.8	20.5
13-37P	20.2	18.4	18.4	18.4	16.1
13-37S	21.9	19.4	19.4	19.4	17.1
13-200P	20.9	19	19	19	16.7
13-200S	23.2	21.3	21.3	21.3	19
13-201P	21	19.1	19.1	19.1	16.8
13-201S	23.4	21.6	21.6	21.6	19.3
13-202P	20.9	19	20.3	19	18
13-202S	22.8	21	21.9	21	19
13-203P	21.2	19.3	20.8	19.3	18.5
13-203S	23.1	21.3	22.3	21.3	20
13-204P	21.3	19.4	20.6	19.4	18.3
13-204S	23.1	21.3	22.3	21.3	20
13-205P	22.4	20.5	22.4	20.5	20.1
13-205S	24.2	22.4	24.4	22.4	22.1
13-220P	21.6	19.7	21.2	19.7	18.9
13-220S	23.9	22.1	23.1	22.1	20.8
16-2P	34.7	28.2	29.1	31.2	26.5
16-2S	40.7	34.2	35.6	37.3	33
16-5P	31.4	24.9	27.9	27.9	25.3
16-5S	34.3	27.8	30.9	30.9	28.3
16-12P	32.1	25.6	28.7	28.7	26.1
16-12S	35.8	29.3	32.3	32.3	29.7
16-204P	30.1	23.6	27.7	26.6	32.4
16-204S	33.5	27	30.2	30.1	35.5
16-205P	30.4	23.9	28.2	26.9	32.9
16-205S	33.8	26.4	30.6	30.4	35.9
16-206P	30.6	24.1	28.3	27.1	33
16-206S	33.9	26.5	30.9	30.5	36.2

Dimensions in Inches (millimeters) are subject to change without notice.

Series 801 Mighty Mouse Double-Start ACME Thread Connector Weights



Series 801

Series 801 Connector Weights (maximum connector weight in grams)					
Contact Arr.	Cable Plug	Jam-Nut Recep Crimp	Jam-Nut Recep PCB	Square Flange Recep Crimp	Square Flange Recep PCB
16-207P	31.4	24.9	29.2	27.9	33.9
16-207S	34.7	27.3	32.1	31.3	37.4
16-208P	32.6	26.1	29.4	29.1	34.1
16-208S	37.5	30.1	33.8	34.1	39.1
16-235P	31.7	25.2	29.7	28.2	34.4
16-235S	35.7	28.3	32.8	32.3	38.1
16-55P	29.2	22.7	26.7	26.7	24.1
16-55S	32.1	25.6	28.7	28.7	26.1
17-3P	38.2	35.1	34.9	37.7	30.3
17-3S	46.4	43.3	43.8	46	39.1
17-7P	32.8	29.7	32.3	32.3	27.7
17-7S	36.3	33.2	35.9	35.9	31.2
17-14P	35.9	32.8	35.4	35.4	30.8
17-14S	35.5	32.5	35.1	35.1	30.5
17-203P	30.7	27.6	30.8	30.2	36.4
17-203S	34.8	31.7	33.6	34.4	39.9
17-204P	31.3	28.2	31.8	30.8	36.9
17-204S	35.7	32.6	35.1	35.3	41.4
17-205P	32.9	29.8	32	32.4	37.1
17-205S	38.5	35.4	36.8	38.1	43.1
17-241P	32.3	29.2	32.8	31.8	37.9
17-241S	37.1	34	36.4	36.7	42.7
17-85P	30.9	25.5	31.9	31.9	27.8
17-85S	34.1	28.8	33.7	33.7	29
19-4P	44.8	41.7	42.3	44.3	47.4
19-4S	54.7	51.6	53.3	54.3	59.6
19-19P	37.3	34.2	39.9	36.8	45
19-19S	41.1	38	42.8	40.7	49.2
19-201P	39.7	36.6	40	39.2	45.1
19-201S	47	43.9	46.9	46.6	53.2
19-202P	45.3	42.2	44	44.8	55.7
19-202S	55.4	52.3	55	55	62.5
19-255P	37.1	34	39.6	36.6	44.7
19-255S	42.4	39.3	43.5	42	49.8
19-100P	35	31.9	39.3	36.8	44.4
19-100S	40.1	37	42.1	40.7	48.4
21-5P	47.3	43.3	41.7	20.5	38.4
21-5S	60.2	56.2	55.7	24.9	52.4
21-12P	38.5	34.5	37.8	29	34.5
21-12S	43.6	39.6	42.9	34.1	39.6
21-22P	41	37.1	40.4	31.6	37.1
21-22S	48	44	47.3	38.5	44
21-200P	44.9	40.9	41.3	35.4	38

Series 801 Connector Weights (maximum connector weight in grams)					
Contact Arr.	Cable Plug	Jam-Nut Recep Crimp	Jam-Nut Recep PCB	Square Flange Recep Crimp	Square Flange Recep PCB
21-200S	56.7	52.7	53.2	47.2	49.9
21-269P	37.6	33.6	38.3	28.1	35
21-269S	44.8	40.8	43.4	35.3	40.1
21-130P	36.2	32.2	35.5	26.7	32.2
21-130S	43.3	39.4	42.7	33.9	39.4



Dimensions in Inches (millimeters) are subject to change without notice.



Series 801 Mighty Mouse Double-Start ACME Thread Plug with Crimp Contacts

801-007 and 801-008 Ordering Information



Series 801 Mighty Mouse Connector features a double-start stub ACME thread for improved protection against cross-mating and thread damage. Connector shells are machined aluminum or stainless steel. Supplied with crimp contacts, packaged separately. Terminate contacts with standard M22520 tools. Metal clips inside the connector body lock contact into place. Contacts are removable. Fluorosilicone seals and rear grommet protect connector from water ingress. Terminate cable shield directly to band platform with Band-Master™ ATS strap or choose rear accessory thread to attach optional cable clamp or backshell.

How To Order

Sample Part Number	801-007	-16	M	9-4	P	A
Series (See Table I)	801-007 = With Banding Platform 801-008 = With Rear Accessory Thread					
Shell Style	-16 = Plug with Anti-Decoupling Spring -26 = Self-Locking Plug with Ratchet Mechanism					
Shell Material and Finish	C = Aluminum / Black Anodize (Non-Conductive) RoHS Compliant M = Aluminum / Electroless Nickel RoHS Compliant NF = Aluminum / Cadmium with Olive Drab Chromate ZN = Aluminum / Zinc-Nickel with Olive Drab Chromate ZNU = Aluminum / Zinc-Nickel with Black Chromate MT = Aluminum / Nickel-PTFE RoHS Compliant Z1 = Stainless Steel / Passivated RoHS Compliant					
Shell Size - Insert Arrangement	See Contact Arrangements page D-3					
Contact Type	Connector supplied with crimp contacts P = Pin S = Socket Connectors with signal and/or power crimp contacts are not installed. Coaxial contacts and non-standard signal contacts are ordered separately.	Connector supplied without contacts A = Pin Connector B = Socket Connector	Connector supplied with 30 AWG crimp contacts G = #23 Pin H = #23 Socket			
Polarization (See Table II)	A = Normal B = Pos. B C = Pos. C D = Pos. D E = Pos. E F = Pos. F G = Pos. G H = Pos. H J = Pos. J					

NOTES

- Contacts are crimp type, and used in a rear release retention system
- Plug mates with all quick coupling high density receptacle connectors with same polarization and opposite contact gender (801-003 through 801-006 and 801-009 through 801-012)
- Connectors supplied with standard crimp contacts. For coax or other special contacts, order connector less contacts and order contacts separately
- For all insert arrangements with size #8 contacts, add .320" to overall length. For -26 shell style, add .127". For both, add .447"

Table I: Series

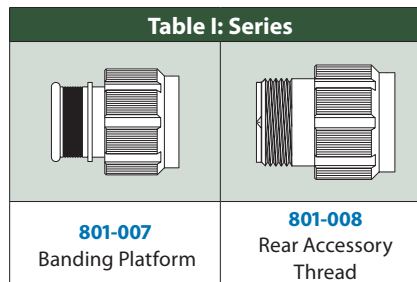


Table II: Key Positions

Position	A°	B°
A	150°	210°
B	75°	210°
C	95°	230°
D	140°	275°
E	75°	275°
F	95°	210°

Dimensions in Inches (millimeters) are subject to change without notice.

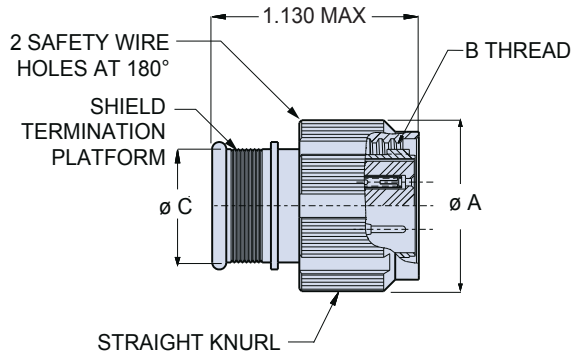
Series 801 Mighty Mouse Double-Start ACME Thread Plug with Crimp Contacts

801-007 and 801-008 Dimensions

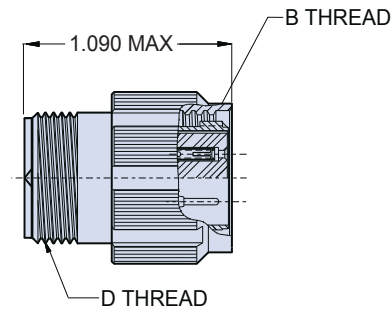


Series 801

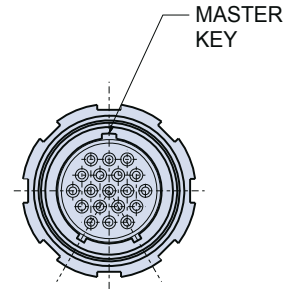
Plug connector



Integral Band Platform
801-007



Accessory Thread
801-008



FACE VIEW OF PLUG AS VIEWED FROM ENGAGING END. SOCKET SIZE 9 SHOWN

Dimensions					
Shell Size	Ø A Style 16	Ø A Style 26	B Thread	Ø C	D Thread
5	0.54 (13.72)	0.65 (16.51)	.3125-.05P-.1L-DS-2B	.245 (6.22)	.2500-32 UNEF-2A
6	0.60 (15.24)	0.69 (17.53)	.3750-.05P-.1L-DS-2B	.290 (7.37)	.3125-32 UNEF-2A
7	0.69 (17.53)	0.79 (20.07)	.4375-.05P-.1L-DS-2B	.390 (9.91)	.4375-28 UNEF-2A
8	0.75 (19.05)	0.83 (21.08)	.5000-.05P-.1L-DS-2B	.445 (11.30)	.5000-28 UNEF-2A
9	0.81 (20.57)	0.92 (23.37)	.5625-.05P-.1L-DS-2B	.500 (12.70)	.5625-24 UNEF-2A
10	0.88 (22.35)	0.98 (24.89)	.6250-.05P-.1L-DS-2B	.560 (14.22)	.6250-24 UNEF-2A
11	0.92 (23.37)	1.02 (25.91)	.6875-.05P-.1L-DS-2B	.605 (15.37)	.6875-24 UNEF-2A
13	1.05 (26.67)	1.10 (27.94)	.8125-.1P-.2L-DS-2B	.650 (16.51)	.6875-24 UNEF-2A
16	1.24 (31.50)	1.34 (34.04)	1.0000-.1P-.2L-DS-2B	.805 (20.45)	.9375-20 UNEF-2A
17	1.30 (33.02)	1.45 (36.83)	1.0625-.1P-.2L-DS-2B	.850 (21.59)	.9375-20 UNEF-2A
19	1.40 (35.56)	1.50 (38.10)	1.1875-.1P-.2L-DS-2B	1.003 (25.48)	1.0625-18 UNEF-2A
21	1.55 (39.37)	1.65 (41.91)	1.3125-.1P-.2L-DS-2B	1.110 (28.19)	1.1875-18 UNEF-2A

Material / finish:

- Plug barrel, coupling nut: Aluminum Alloy or CRES; see How to Order Table
- Insulator: High grade rigid dielectric / N.A.
- Interfacial seal, grommet seal: fluorosilicone / N.A.
- Contact: copper alloy / gold plate per ASTM B 488, Type II, Code C, Class 1.25, over a suitable underplate

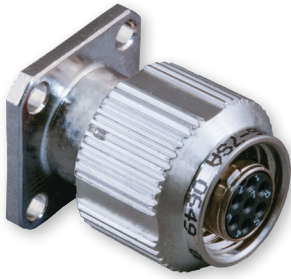
Dimensions in Inches (millimeters) are subject to change without notice.





Series 801 Mighty Mouse Double-Start ACME Thread Panel Plug or PCB Panel Plug with Crimp Contacts

801-113 and 801-114 Ordering Information



Series 801 Mighty Mouse Panel Plug features a double-start modified stub ACME mating thread for improved protection against cross-mating and thread damage. Connector shells are machined aluminum or stainless steel. Available with crimp type rear-release

contacts for 801-113. Select 801-114 for PCB applications available with non-removable PC tails or solder cup contacts for attachment to rigid boards or direct wire attachment. Available in shell sizes 5 through 21 in 61 contact arrangements.

How To Order

Sample Part Number	801-114	-26	ZNU	9-19	P	A
Series	801-113 = Connector with Crimp Type Contacts 801-114 = PCB Connector with Non-Removable Contacts					
Shell Style	-26 = Self Locking Panel Plug Connector with Ratchet Mechanism					
Material and Finish	M = Aluminum / Electroless Nickel RoHS Compliant MT = Aluminum / Nickel-PTFE RoHS Compliant NF = Aluminum / Cadmium with Olive Drab Chromate ZNU = Aluminum / Zinc-Nickel with Black Chromate Z1 = Stainless Steel / Passivated RoHS Compliant					
Shell Size - Insert Arrangement	See Contact Arrangements page D-3					
Contact Type	801-113 Options A = Pin Connector, Less Contacts P = Pin, Crimp B = Socket Connector, Less Contacts S = Socket, Crimp 801-114 Options E = Pin, Solder Cup P = Pin, PC Tail F = Socket, Solder Cup S = Socket, PC Tail (See Table II)					
Polarization (See Table I)	A = Normal B = Pos. B C = Pos. C D = Pos. D E = Pos. E F = Pos. F G = Pos. G H = Pos. H J = Pos. J					

D

NOTES

- 801-113 contacts are crimp type, and used in a rear release retention system
801-114 contacts are potted in position and non removable
- Plug mates with all quick coupling high density receptacle connectors with same polarization and opposite contact gender (801-003 through 801-006 and 801-009 through 801-012)
- Connectors supplied with standard crimp contacts. For coax or other special contacts, order connector less contacts (Contact style A or B) and order contacts separately

Table I: Key Positions

Position	A°	B°
A	150°	210°
B	75°	210°
C	95°	230°
D	140°	275°
E	75°	275°
F	95°	210°

Material / finish:

- Shell, lock ring, coupling nut: Aluminum Alloy or CRES; see How to Order Table
- Insulator: LCP / N.A.
- Interfacial seal, grommet seal: fluorosilicone / N.A.
- Contact: copper alloy / gold plate per ASTM B 488, Type II, Code C, Class 1.25, over a suitable underplate

Dimensions in Inches (millimeters) are subject to change without notice.

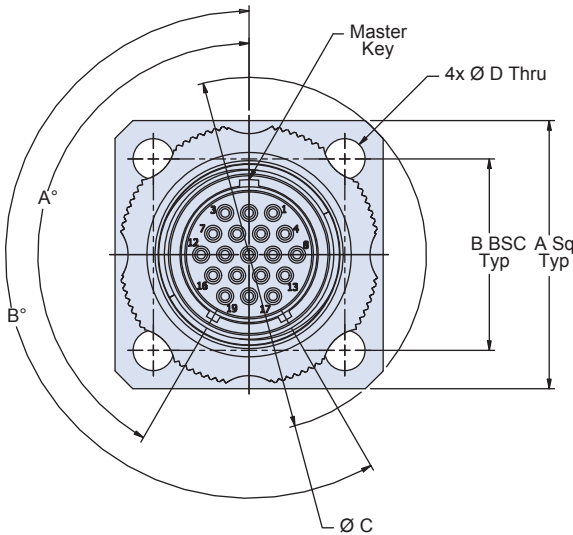
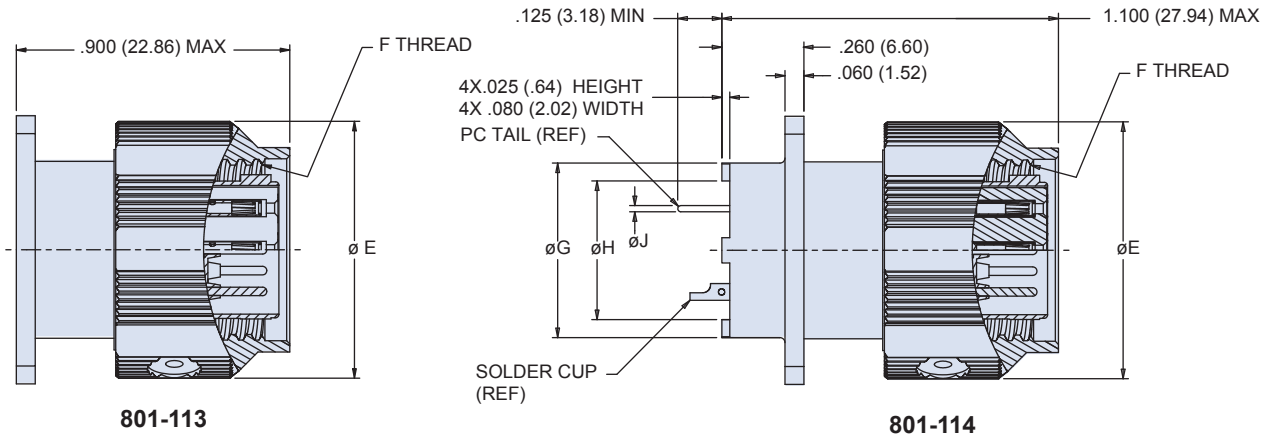
Series 801 Mighty Mouse Double-Start ACME Thread Panel Plug with Crimp Contacts

801-113 and 801-114 Dimensions



Series 801

Panel plug - shell size 26



PC Tails Dimensions	
Contact Size	Ø J
#23	.018/.022
#16	.060/.064
#12	.092/.096

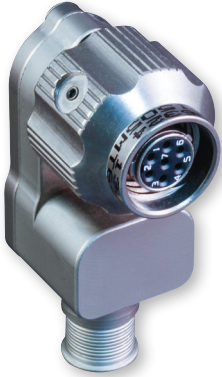
Dimensions								
Shell Size	A Sq	B Bsc	Ø C	Ø D	Ø E	F Thread	Ø G	Ø H
5	.590 (14.99)	.423 (10.74)	.750 (19.05)	.093 (2.36)	.65 (16.51)	.3125-.05P-.1L-2B	.244 (6.20)	.175 (4.44)
6	.590 (14.99)	.423 (10.74)	.750 (19.05)	.093 (2.36)	.65 (16.51)	.3750-.05P-.1L-2B	.330 (8.38)	.238 (6.05)
7	.650 (16.51)	.483 (12.27)	.850 (21.59)	.093 (2.36)	.69 (17.53)	.4375-.05P-.1L-2B	.432 (10.97)	.327 (8.31)
8	.712 (18.08)	.545 (13.84)	.938 (23.83)	.093 (2.36)	.79 (20.07)	.5000-.05P-.1L-2B	.493 (12.52)	.388 (9.86)
9	.850 (21.59)	.607 (15.42)	1.125 (28.58)	.128 (3.25)	.83 (21.08)	.5625-.05P-.1L-2B	.551 (14.00)	.446 (11.33)
10	.890 (22.61)	.670 (17.02)	1.188 (30.18)	.128 (3.25)	.92 (23.37)	.6250-.05P-.1L-2B	.620 (15.75)	.516 (13.11)
11	.935 (23.75)	.715 (18.16)	1.250 (31.75)	.128 (3.25)	--	.6875-.05P-.1L-2B	.662 (16.81)	.557 (14.15)
13	1.030 (26.16)	.812 (20.62)	1.375 (34.92)	.128 (3.25)	1.10 (27.94)	.8125-.1P-.2L-2B	.703 (17.86)	.599 (15.21)
16	1.219 (30.96)	.981 (24.92)	1.625 (41.28)	.128 (3.25)	1.34 (34.04)	1.0000-.1P-.2L-2B	.863 (21.92)	.759 (19.28)
17	1.280 (32.51)	1.060 (26.92)	1.700 (43.18)	.128 (3.25)	1.45 (36.83)	1.0625-.1P-.2L-2B	.912 (23.16)	.808 (20.52)
19	1.432 (36.37)	1.191 (30.25)	1.900 (48.26)	.128 (3.25)	1.50 (38.10)	1.1875-.1P-.2L-2B	1.018 (25.86)	.910 (23.11)
21	1.565 (39.75)	1.322 (33.58)	2.100 (53.34)	.128 (3.25)	1.65 (41.91)	1.3125-.1P-.2L-2B	1.170 (29.72)	1.061 (26.95)

Dimensions in Inches (millimeters) are subject to change without notice.





Series 801 Mighty Mouse Double-Start ACME Thread Double-Start Thread Cobra™ Plug, Low Profile Right Angle 801-069 Ordering Information



Series 801 Mighty Mouse Cobra Connector assemblies reduce clearance requirements without compromising ruggedness or shielding performance. Features a double-start self-locking plug with ratchet mechanism for improved protection against cross-mating and thread damage. Each Cobra assembly is equipped with a removable rear cover and gasket for easy crimp or solder contact termination of the connector. Both pin and socket versions are available for both crimp and solder terminated versions. Integrated low-profile backshell is equipped with an EMI/RFI shield termination platform and a shrink boot lip. The ultra-lightweight assembly may be clocked in eight different angle orientations for additional flexibility in cable routing. Fourteen contact arrangements are available, all with Size #23 contacts from shell size 5 to 21 with 3 to 130 contacts respectively. Connector shells are aluminum alloy or SST

How To Order

Sample Part Number	801-069-26	ZNU	8-13	P	A	1	05
Series	801-069-26 = Double-Start Self-Locking Plug with Ratchet Mechanism						
Material and Finish	M = Aluminum / Electroless Nickel RoHS Compliant NF = Aluminum / Cadmium with Olive Drab Chromate ZNU = Aluminum / Zinc-Nickel with Black Chromate MT = Aluminum / Nickel-PTFE RoHS Compliant Z1 = Stainless Steel / Passivated RoHS Compliant						
Shell Size - Insert Arrangement	5-3, 6-4, 6-6, 6-7, 7-10, 8-13, 9-19, 10-26, 11-31, 13-37, 16-55, 17-85, 19-100, 21-130 See Contact Arrangements page D-3						
Contact Type	P = Pin, Crimp A = Pin, Solder S = Socket, Crimp B = Socket, Solder						
Polarization (See Table I)	A = Normal B = Pos. B C = Pos. C D = Pos. D E = Pos. E F = Pos. F G = Pos. G H = Pos. H J = Pos. J						
Cable Exit Direction (See Table II)	1, 2, 3, 4, 5, 6, 7, 8						
Cable Entry Size (See Table III)	02, 03, 04, 05, 06, 07, 08, 09, 10, 11, 12, 13, 14, 15, 16, 17						

D

Table I: Keyway Positions

Position	A°	B°
A	150°	210°
B	75°	210°
C	95°	230°
D	140°	275°
E	75°	275°
F	95°	210°

Table II: Cable Exit Direction

Cable Exit Code	C°
1	0°
2	45°
3	90°
4	135°
5	180°
6	225°
7	270°
8	315°

Table III: Cable Entry Size

Code	Entry Size	Code	Entry Size
02	.125 (3.18)	10	.625 (15.88)
03	.188 (4.78)	11	.688 (17.48)
04	.250 (6.35)	12	.750 (19.05)
05	.313 (7.95)	13	.813 (20.65)
06	.375 (9.52)	14	.875 (22.23)
07	.438 (11.13)	15	.938 (23.83)
08	.500 (12.70)	16	1.000 (25.40)
09	.563 (14.30)	17	1.063 (27.00)

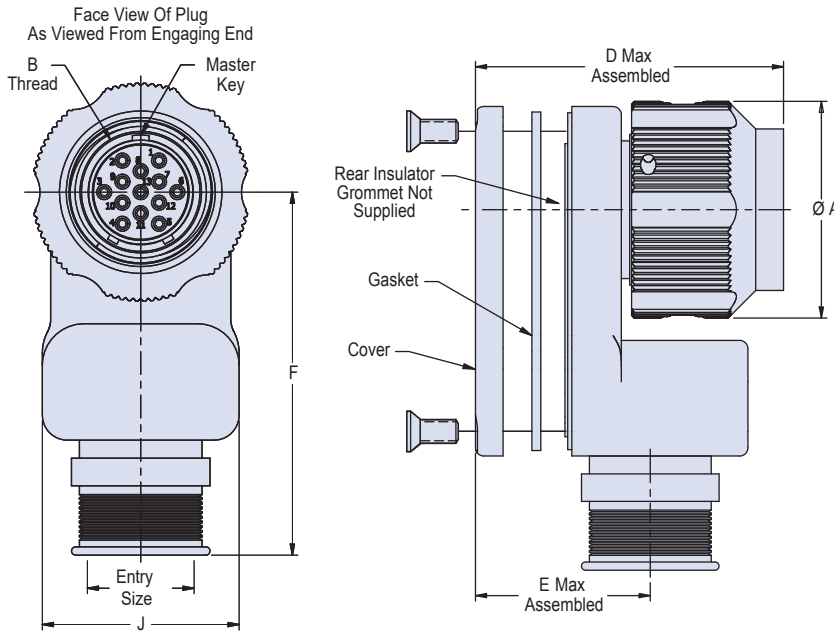
Dimensions in Inches (millimeters) are subject to change without notice.

Series 801 Mighty Mouse Double-Start ACME Thread Double-Start Thread Cobra™ Plug, Low Profile Right Angle 801-069 Dimensions



Series 801

Right angle Cobra™ plug



NOTES

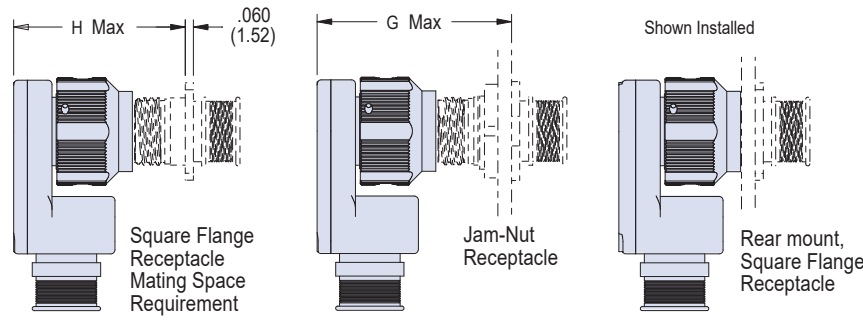
1. Contacts are size 23 crimp type, and used in a rear release retention system
2. Consult factory for additional contact arrangements or shell orientations
3. Crimp barrel accommodates 22, 23, 26, and 28 gage wire
4. Crimp tool data:
 - Hand crimp tool: Glenair P/N 809-015
 - Positioner for hand tool: Glenair P/N 809-005
 - Insertion / extraction tool: Glenair P/N/ 809-008
5. Plug mates with all quick coupling high density receptacle connectors with same polarization and opposite contact gender

Material / finish:

- Plug barrel, coupling nut, housing, cover: Aluminum Alloy or CRES; see How to Order Table
- Insulator: LCP / N.A.
- Interfacial seal, gasket: fluorosilicone / N.A.
- Contact: copper alloy / gold plate per ASTM B 488, Type II, Code C, Class 1.25, over a suitable underplate
- Contact retention clip: beryllium copper alloy / N.A.
- Hardware: stainless steel / passivate or black oxide
- Retaining wire: Torlon / N.A.
- Detent spring / rivet: stainless steel / passivate



Mating Space Requirements



Dimensions

Shell Size	Ø A	B Thread	D Max	E Max	F	G	H	J	Max Entry
5	.65(16.5)	.3125-.05P-.1L-2B	.84 (21.3)	.32 (8.1)	1.21 (30.7)	1.40 (35.6)	1.23 (31.2)	.500 (12.70)	03
6	.65(16.5)	.3750-.05P-.1L-2B	.86 (21.8)	.34 (8.6)	1.24 (31.5)	1.42 (36.1)	1.25 (31.8)	.560 (14.22)	04
7	.69(17.5)	.4375-.05P-.1L-2B	.88 (22.4)	.39 (9.9)	1.28 (32.5)	1.44 (36.6)	1.27 (32.3)	.650 (16.51)	05
8	.79(20.1)	.5000-.05P-.1L-2B	.89 (22.6)	.42 (10.7)	1.31 (33.3)	1.45 (36.8)	1.28 (32.5)	.710 (18.03)	06
9	.83(21.1)	.5625-.05P-.1L-2B	.92 (23.4)	.45 (11.4)	1.34 (34.0)	1.48 (37.6)	1.31 (33.3)	.770 (19.56)	07
10	.92(23.4)	.6250-.05P-.1L-2B	.96 (24.4)	.48 (12.2)	1.37 (34.8)	1.52 (38.6)	1.35 (34.3)	.835 (21.21)	08
11	.98 (24.9)	.6875-.05P-.1L-2B	.99 (25.1)	.50 (12.7)	1.40 (35.6)	1.55(39.4)	1.38 (35.1)	.900 (22.86)	09
13	1.10(27.9)	.8125-.1P-.2L-2B	1.13 (28.7)	.52 (13.2)	1.48 (37.6)	1.80 (45.7)	1.63 (41.4)	.950 (24.13)	10
16	1.34(34.0)	1.0000-.1P-.2L-2B	1.21 (30.7)	.58 (14.7)	1.64 (41.7)	1.88 (47.8)	1.71 (43.4)	1.070 (27.18)	12
17	1.45(36.8)	1.0625-.1P-.2L-2B	1.28 (32.5)	.63 (16.0)	1.78 (45.2)	1.92 (48.8)	1.78 (45.2)	1.180 (29.97)	13
19	1.50(38.1)	1.1875-.1P-.2L-2B	1.40 (35.6)	.70 (17.8)	1.89 (48.0)	2.07 (52.6)	1.90 (48.3)	1.300 (33.02)	15
21	1.65(41.9)	1.3125-.1P-.2L-2B	1.51 (38.4)	.76 (19.3)	1.98 (50.3)	2.18 (55.4)	2.01 (51.1)	1.410 (35.81)	17

Dimensions in Inches (millimeters) are subject to change without notice.



Series 801 Mighty Mouse Double-Start ACME Thread Receptacle with Crimp Contacts

801-009 and 801-010 Ordering Information



Series 801 Mighty Mouse Receptacle Connector features a double-start modified stub ACME mating thread for improved protection against cross-mating and thread damage. Connector shells are machined aluminum or stainless steel. Supplied with crimp contacts, packaged separately. Terminate contacts with standard M22520 tools. Metal clips inside the connector body lock contact into place. Contacts are removable. Fluorosilicone seals and rear grommet protect connector from water ingress. Terminate cable shield directly to band platform with Band-Master™ ATS strap or choose rear accessory thread to attach optional cable clamp or backshell. Available in shell sizes 5 through 21 with 67 contact arrangements.

D

How To Order	
Sample Part Number	801-010 -02 Z1 16-55 S A
Series (See Table I)	801-009 = Receptacle with Banding Platform 801-010 = Receptacle with Accessory Thread
Shell Style (See Table II)	-01 = Cable Receptacle -02 = Square Flange, Front or Rear Panel Mount with Thru-Holes -12 = Square Flange, Rear Panel Mount with "Non-Locking" Clinch Nuts -22 = Square Flange, Rear Panel Mount with "Locking" Clinch Nuts -07 = Jam-Nut, Rear Panel Mount
Material and Finish	M = Aluminum / Electroless Nickel RoHS Compliant MT = Aluminum / Nickel-PTFE RoHS Compliant NF = Aluminum / Cadmium with Olive Drab Chromate ZNU = Aluminum / Zinc-Nickel with Black Chromate Z1 = Stainless Steel / Passivated RoHS Compliant
Shell Size - Insert Arr	See Contact Arrangements page D-3
Contact Type	P = Pin, Crimp A = Pin Connector, Less Contacts S = Socket, Crimp B = Socket Connector, Less Contacts G = #23 Pin with 30 AWG Crimp Barrel H = #23 Socket with 30 AWG Crimp Barrel
Polarization (See Table III)	A = Normal B = Pos. B C = Pos. C D = Pos. D E = Pos. E F = Pos. F G = Pos. G H = Pos. H J = Pos. J

NOTES

- Contacts are crimp type, and used in a rear release retention system
- Receptacle mates with all quick coupling high density receptacle connectors with same polarization and opposite contact gender
- Connectors supplied with standard crimp contacts. For coax or other special contacts, order connector less contacts (Contact style A or B) and order contacts separately
- For all insert arrangements with size #8 contacts add .235" to overall length of 801-010 and .340" to 801-009 overall length
- Grommet protrudes for power/combo size #8 arrangements

Table III: Keyway Positions

Position	A°	B°
A	150°	210°
B	75°	210°
C	95°	230°
D	140°	275°
E	75°	275°
F	95°	210°

Table I: Series	
800-009 Banding Platform	801-010 Rear Accessory Thread

Table II: Shell Style		
Style -01 In-line	Style -02/-12/-22 Square Flange	Style -07 Jam-Nut

Dimensions in Inches (millimeters) are subject to change without notice.

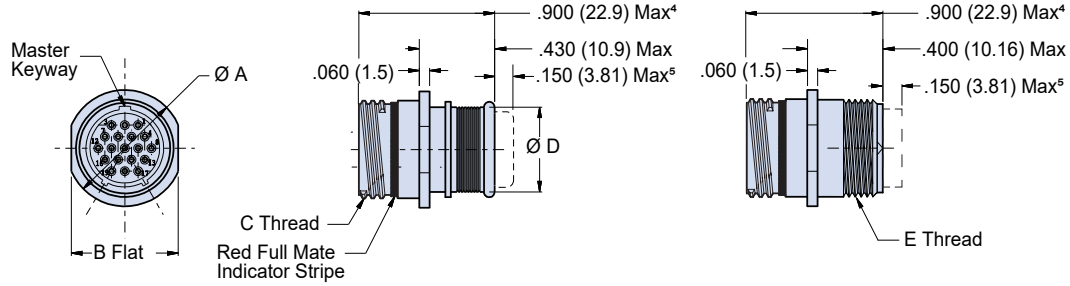
Series 801 Mighty Mouse Double-Start ACME Thread Receptacle with Crimp Contacts

801-009-01 and 801-010-01 Dimensions



Series 801

In-line receptacle - shell style 01



Integral Band Platform
801-009-01

Accessory Thread
801-010-01

Dimensions					
Shell Size	Ø A	B Flat	C Thread	Ø D	E Thread UNEF-2A
5	.355 (9.02)	.325 (8.25)	.3125-.05P-.1L-DS-2A	.245 (6.22)	.2500-32
6	.415 (10.54)	.385 (9.78)	.3750-.05P-.1L-DS-2A	.290 (7.37)	.3125-32
7	.480 (12.19)	.445 (11.30)	.4375-.05P-.1L-DS-2A	.390 (9.91)	.4375-28
8	.540 (13.72)	.510 (12.95)	.5000-.05P-.1L-DS-2A	.445 (11.30)	.5000-28
9	.605 (15.37)	.575 (14.60)	.5625-.05P-.1L-DS-2A	.500 (12.70)	.5625-24
10	.665 (16.89)	.635 (16.13)	.6250-.05P-.1L-DS-2A	.560 (14.22)	.6250-24
11	.730 (18.54)	.700 (17.78)	.6875-.05P-.1L-DS-2A	.605 (15.37)	.6875-24
13	.855 (21.72)	.825 (20.96)	.8125-.1P-.2L-DS-2A	.650 (16.51)	.6875-24
16	1.040 (26.42)	1.010 (25.65)	1.0000-.1P-.2L-DS-2A	.805 (20.45)	.9375-20
17	1.110 (28.19)	1.070 (27.18)	1.0625-.1P-.2L-DS-2A	.850 (21.59)	.9375-20
19	1.243 (31.57)	1.191 (30.25)	1.1875-.1P-.2L-DS-2A	1.003 (25.48)	1.0625-18
21	1.375 (34.92)	1.312 (33.32)	1.3125-.1P-.2L-DS-2A	1.110 (28.19)	1.1875-18

Material / finish:

- Shell: aluminum alloy or CRES; see How to Order Table
- Insulator: high grade rigid dielectric / N.A.
- Interfacial seal, O-rings, grommet: fluorosilicone / N.A.
- Contact: copper alloy / gold plate per ASTM B 488, Type II, Code C, Class 1.25, over a suitable underplate

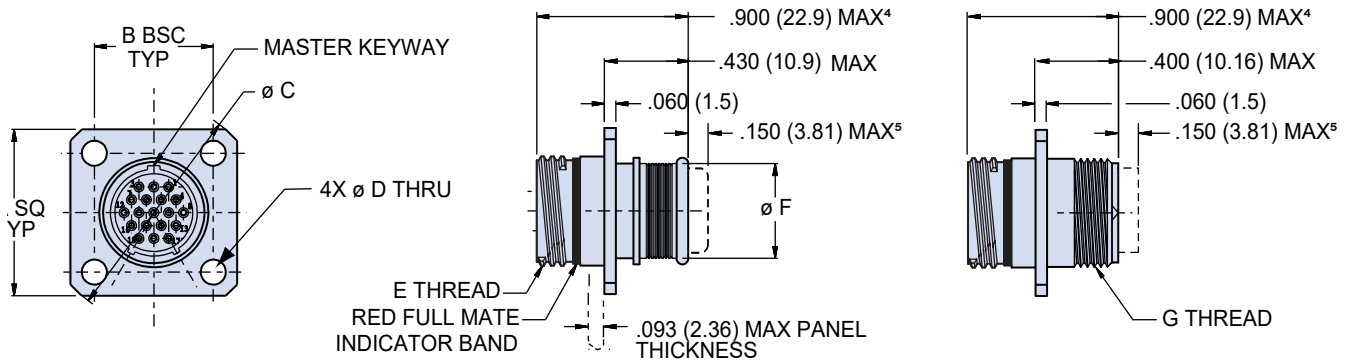
Dimensions in Inches (millimeters) are subject to change without notice.



Series 801 Mighty Mouse Double-Start ACME Thread Receptacle with Crimp Contacts

801-009-02 and 801-010-02 Dimensions

Square flange, front or rear panel mount receptacle - shell style 02



Integral Band Platform
801-009-02

Accessory Thread
801-010-02

Dimensions

Shell Size	A SQ	B BSC	ø C	ø D	E Thread	ø F	G Thread UNEF-2A
5	.530 (13.46)	.363 (9.22)	.680 (17.27)	.096 (2.44) .091 (2.31)	.3125-.05P-.1L-DS-2A	.245 (6.22)	.2500-32
6	.590 (14.99)	.423 (10.74)	.750 (19.05)		.3750-.05P-.1L-DS-2A	.290 (7.37)	.3125-32
7	.650 (16.51)	.483 (12.27)	.850 (21.59)		.4375-.05P-.1L-DS-2A	.390 (9.91)	.4375-28
8	.712 (18.08)	.545 (13.84)	.938 (23.83)		.5000-.05P-.1L-DS-2A	.445 (11.30)	.5000-28
9	.850 (21.59)	.607 (15.42)	1.125 (28.58)	.130 (3.30) .126 (3.20)	.5625-.05P-.1L-DS-2A	.500 (12.70)	.5625-24
10	.890 (22.61)	.670 (17.02)	1.188 (30.18)		.6250-.05P-.1L-DS-2A	.560 (14.22)	.6250-24
11	.935 (23.75)	.715 (18.16)	1.250 (31.75)		.6875-.05P-.1L-DS-2A	.605 (15.37)	.6875-24
13	1.030 (26.16)	.812 (20.62)	1.375 (34.92)		.8125-.1P-.2L-DS-2A	.650 (16.51)	.6875-24
16	1.219 (30.96)	.981 (24.92)	1.625 (41.28)		1.0000-.1P-.2L-DS-2A	.805 (20.45)	.9375-20
17	1.280 (32.51)	1.060 (26.92)	1.700 (43.18)		1.0625-.1P-.2L-DS-2A	.850 (21.59)	.9375-20
19	1.432 (36.37)	1.191 (30.25)	1.900 (48.26)		1.1875-.1P-.2L-DS-2A	1.003 (25.48)	1.0625-18
21	1.565 (39.75)	1.322 (33.58)	2.100 (53.34)		1.3125-.1P-.2L-DS-2A	1.110 (28.19)	1.1875-18

Square Flange, Recommended Panel Cutout

Shell Size	ø A	B BSC	ø C
5	.328 (8.33)	.363 (9.22)	.096 (2.44) .091 (2.31)
6	.390 (9.91)	.423 (10.74)	
7	.453 (11.51)	.483 (12.27)	
8	.515 (13.08)	.545 (13.84)	
9	.578 (14.68)	.607 (15.42)	.130 (3.30) .126 (3.20)
10	.640 (16.26)	.670 (17.02)	
11	.703 (17.86)	.715 (18.16)	
13	.828 (21.03)	.812 (20.62)	
16	1.015 (25.78)	.981 (24.92)	
17	1.078 (27.38)	1.060 (26.92)	
19	1.203 (30.56)	1.191 (30.25)	
21	1.328 (33.73)	1.322 (33.58)	

Material / finish:

- Shell: aluminum alloy or CRES; see How to Order Table
- Insulator: high grade rigid dielectric / N.A.
- Interfacial seal, O-rings, grommet: fluorosilicone / N.A.
- Contact: copper alloy / gold plate per ASTM B 488, Type II, Code C, Class 1.25, over a suitable underplate

Dimensions in Inches (millimeters) are subject to change without notice.

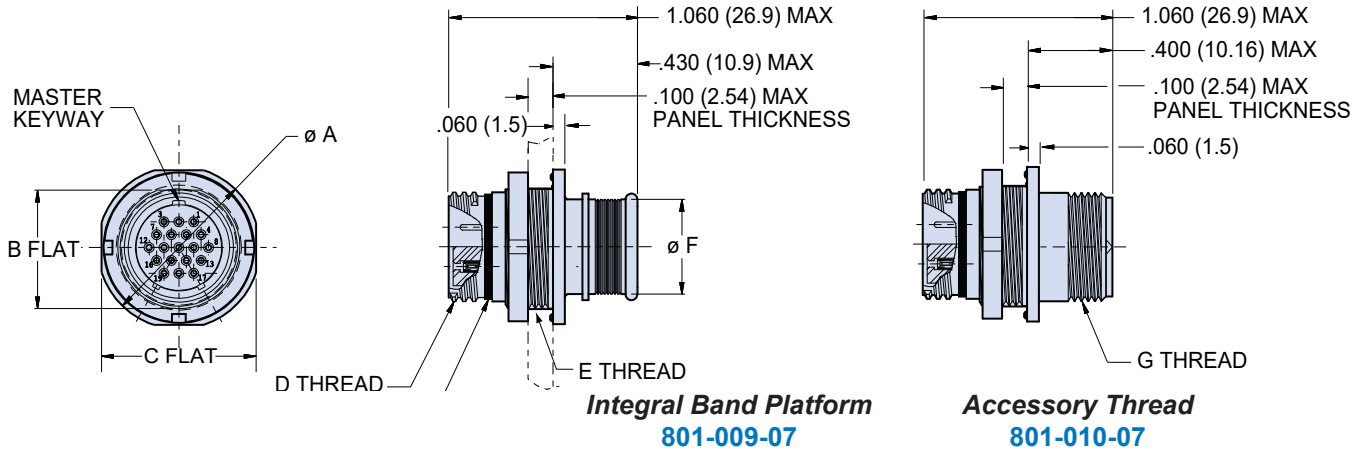
Series 801 Mighty Mouse Double-Start ACME Thread Receptacle with Crimp Contacts

801-009-07 and 801-010-07 Dimensions



Series 801

Jam-nut, rear panel mount receptacle - shell style 07



Dimensions							
Shell Size	Ø A	B Flat	C Flat	D Thread	E Thread UN-2A	Ø F	G Thread UN-2A
5	.575 (14.60)	.350 (8.89)	.545 (13.84)	.3125-.05P-.1L-2A	.375-28	.245 (6.22)	.250-32
6	.635 (16.13)	.410 (10.41)	.595 (15.11)	.375-.05P-.1L-2A	.4375-28	.290 (7.37)	.3125-32
7	.755 (19.18)	.536 (13.61)	.723 (18.36)	.4375-.05P-1L2A	.5625-32	.390 (9.91)	.4375-28
8	.755 (19.18)	.536 (13.61)	.723 (18.36)	.5000-.05P-.1L-2A	.5625-32	.445 (11.30)	.5000-28
9	.830 (21.08)	.596 (15.14)	.790 (20.07)	.5625-.05P-.1L-2A	.625-28	.500 (12.70)	.5625-24
10	.890 (22.61)	.658 (16.71)	.855 (21.72)	.6250-.05P-.1L-2A	.6875-28	.560 (14.22)	.6250-24
11	.960 (24.38)	.718 (18.24)	.925 (23.50)	.6875-.05P-.1L-2A	.7500-28	.605 (15.37)	.6875-24
13	1.078 (27.38)	.845 (21.46)	1.044 (26.52)	.8125-.1P-.2L-2A	.875-28	.650 (16.51)	.6875-24
16	1.264 (32.11)	1.022 (25.96)	1.230 (31.24)	1.000-.1P-.2L-2A	1.0625-20	.805 (20.45)	.9375-20
17	1.325 (33.65)	1.096 (27.84)	1.290 (32.77)	1.062-.1P-.2L-2A	1.125-28	.850 (21.59)	.9375-20
19	1.450 (36.83)	1.227 (31.17)	1.415 (35.94)	1.1875-.1P-.2L-2A	1.2500-28	1.003 (25.48)	1.0625-18
21	1.625 (41.28)	1.347 (34.21)	1.577 (40.06)	1.3125-.1P-.2L-2A	1.375-28	1.110 (28.19)	1.1875-18

Series 801 Jam-Nut Panel Cutout		
Shell Size	A Flat ±.002 (± 0.05)	Ø B +.005 (+.13) -0.000 (-.00)
5	.356 (9.04)	.380 (9.65)
6	.416 (10.57)	.443 (11.25)
7	.542 (13.77)	.567 (14.40)
8	.542 (13.77)	.567 (14.40)
9	.602 (15.29)	.630 (16.00)
10	.664 (16.87)	.693 (17.60)
11	.730 (18.54)	.760 (19.30)
13	.851 (21.62)	.880 (22.35)
16	1.028 (26.11)	1.067 (27.10)
17	1.102 (27.99)	1.130 (28.70)
19	1.243 (31.57)	1.260 (32.00)
21	1.352 (34.34)	1.380 (35.05)

Material / finish:

- Shell, jam-nut: aluminum alloy or CRES; see How to Order Table
- Insulator: high grade rigid dielectric / N.A.
- Interfacial seal, O-rings, grommet: fluorosilicone / N.A.
- Contact: copper alloy / gold plate per ASTM B 488, Type II, Code C, Class 1.25, over a suitable underplate

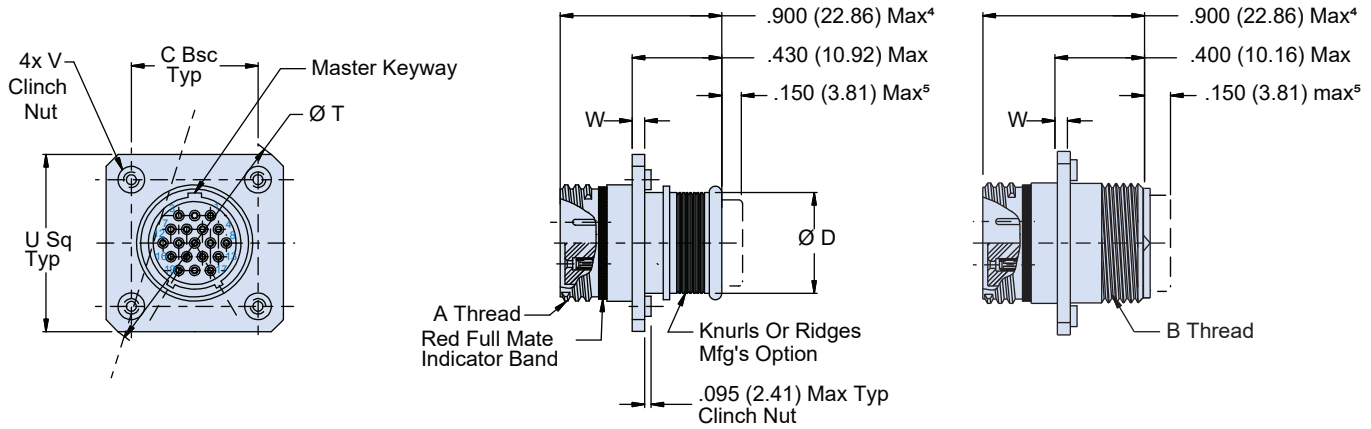
Dimensions in Inches (millimeters) are subject to change without notice.



Series 801 Mighty Mouse Double-Start ACME Thread Receptacle with Crimp Contacts

801-009-12/-22 and 801-010-12/-22 Dimensions

Rear panel mount receptacle - shell style 12 and 22



Integral Band Platform
801-009-12 and 801-009-22

Accessory Thread
801-010-12 and 801-010-22

D

Dimensions							
Shell Size	A Thread	B Thread	C BSC	Ø T	U SQ	V Clinch Nut	W
5	.3125-.05P-.1L-DS-2A	.2500-32 UNEF-2A	.363 (9.22)	.774 (19.66)	.623 (15.82)	2-56	.030 (0.76)
6	.3750-.05P-.1L-DS-2A	.3125-32 UNEF-2A	.423 (10.74)	.860 (21.84)	.683 (17.35)		
7	.4375-.05P-.1L-DS-2A	.4375-28 UNEF-2A	.483 (12.27)	.944 (23.98)	.743 (18.87)		
8	.5000-.05P-.1L-DS-2A	.5000-28 UNEF-2A	.545 (13.84)	1.032 (26.21)	.805 (20.45)		
9	.5625-.05P-.1L-DS-2A	.5625-24 UNEF-2A	.607 (15.42)	1.180 (29.97)	.927 (23.55)	4-40	.060 (1.52)
10	.6250-.05P-.1L-DS-2A	.6250-24 UNEF-2A	.670 (17.02)	1.268 (32.21)	.990 (25.15)		
11	.6875-.05P-.1L-DS-2A	.6875-24 UNEF-2A	.715 (18.16)	1.331 (33.81)	1.035 (26.29)		
13	.8125-.1P-.2L-DS-2A	.6875-24 UNEF-2A	.812 (20.62)	1.470 (37.34)	1.132 (28.75)		
16	1.0000-.1P-.2L-DS-2A	.9375-20 UNEF-2A	.981 (24.92)	1.708 (43.38)	1.301 (33.05)		
17	1.0625-.1P-.2L-DS-2A	.9375-20 UNEF-2A	1.060 (26.92)	1.822 (46.28)	1.382 (35.10)		
19	1.1875-.1P-.2L-DS-2A	1.0625-18 UNEF-2A	1.191 (30.25)	2.006 (50.95)	1.511 (38.38)		
21	1.3125-.1P-.2L-DS-2A	1.1875-18 UNEF-2A	1.322 (33.58)	2.190 (55.63)	1.642 (41.71)		

Series 801 Front and Rear Mount Panel Cutout

Shell Size	G Bsc	H Holes	Ø R	
			±.005 (.13)	
5	.363 (9.22)	.130 (3.30) .126 (3.20)	.328 (8.33)	
6	.423 (10.74)		.390 (9.91)	
7	.483 (12.27)		.453 (11.51)	
8	.545 (13.84)		.515 (13.08)	
9	.607 (15.42)		.578 (14.68)	
10	.670 (17.02)		.640 (16.26)	
11	.715 (18.16)		.703 (17.86)	
13	.812 (20.62)		.828 (21.03)	
16	.981 (24.92)		1.015 (25.78)	
17	1.060 (26.92)		1.078 (27.38)	
19	1.191 (30.25)	1.203 (30.56)		
21	1.322 (33.58)	1.328 (33.73)		

Material / finish:

- Shell: aluminum alloy or CRES; see How to Order Table
- Insulator: high grade rigid dielectric / N.A.
- Interfacial seal, O-rings, grommet: fluorosilicone / N.A.
- Contact: copper alloy / gold plate per ASTM B 488, Type II, Code C, Class 1.25, over a suitable underplate

Dimensions in Inches (millimeters) are subject to change without notice.

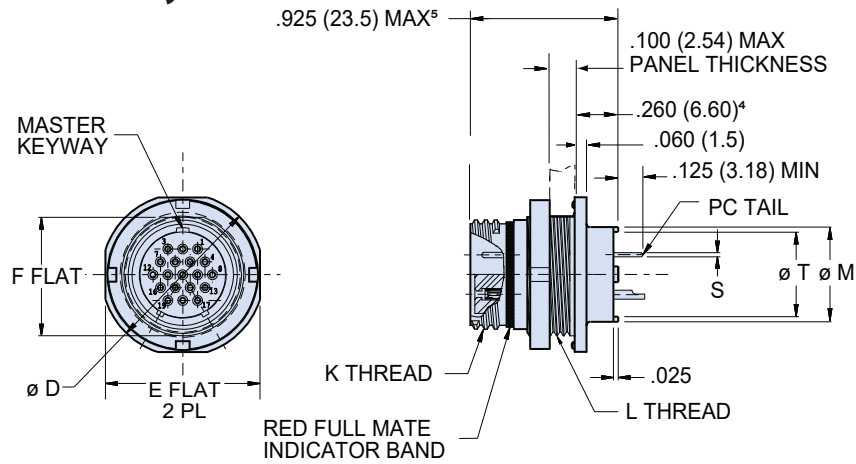
Series 801 Mighty Mouse Double-Start ACME Thread Receptacle with PC Tails or Solder Cups

801-011 and 801-033 Dimensions

Jam-nut mount receptacle - shell style 07

Jam-Nut 801-011-07

PC Tail Dimensions	
Contact Size	Ø S
#23	Ø .018/.022
#20	Ø .028/.024
#16	Ø .060/.064
#12	Ø .092/.096

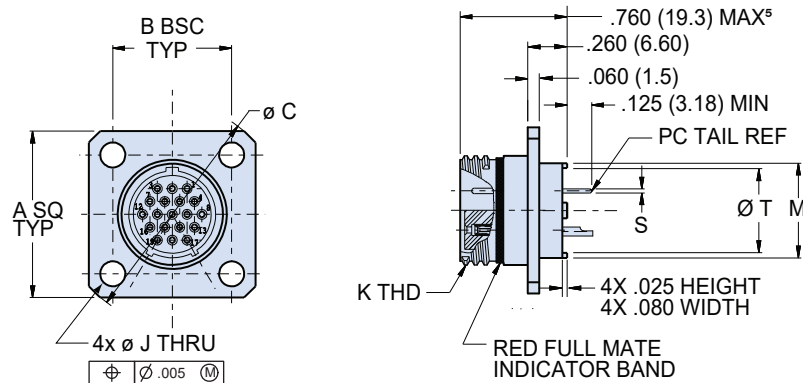


Square flange mount receptacle - shell style 02

D

Square Flange 801-011-02

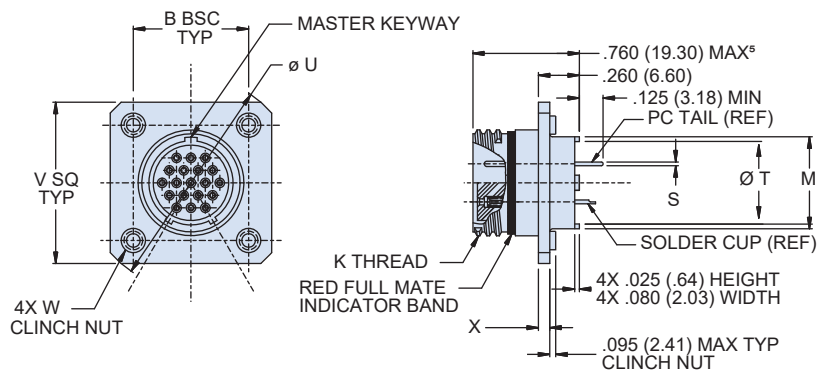
PC Tail Dimensions	
Contact Size	Ø S
#23	Ø .018/.022
#20	Ø .028/.024
#16	Ø .060/.064
#12	Ø .092/.096



Square flange mount receptacle - shell style 12 and 22

Square Flange 801-011-12 and -22

PC Tail Dimensions	
Contact Size	Ø S
#23	Ø .018/.022
#20	Ø .028/.024
#16	Ø .060/.064
#12	Ø .092/.096



Dimensions in Inches (millimeters) are subject to change without notice.

Series 801 Mighty Mouse Double-Start ACME Thread Receptacle with PC Tails or Solder Cups

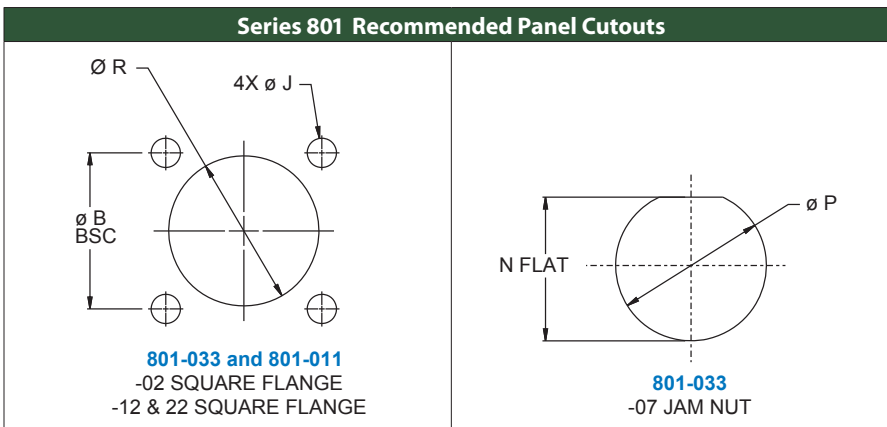
801-011 and 801-033 Dimensions



Series 801

Dimensions									
Shell Size	A Sq	B Bsc	Ø C	Ø D	E Flat	F Flat	J Holes	K Thread	L Thread
5	.530 (13.46)	.363 (9.22)	.680 (17.27)	.575 (14.60)	.545 (13.84)	.350 (8.89)	.096 (2.44) .091 (2.31)	.3125-.05P-.1L-2A	.3750-28 UN-2A
6	.590 (14.99)	.423 (1.74)	.750 (19.05)	.635 (16.13)	.595 (15.11)	.410 (1.41)		.3750-.05P-.1L-2A	.4375-28 UNEF-2A
7	.650 (16.51)	.483 (12.27)	.850 (21.59)	.755 (19.18)	.723 (18.36)	.536 (13.61)		.4375-.05P-.1L-2A	.5625-32 UN-2A
8	.712 (18.08)	.545 (13.84)	.938 (23.83)	.755 (19.18)	.723 (18.36)	.536 (13.61)		.5000-.05P-.1L-2A	.5625-32 UN-2A
9	.850 (21.59)	.607 (15.42)	1.125 (28.58)	.830 (21.08)	.790 (2.07)	.596 (15.14)	.130 (3.30) .126 (3.11)	.5625-.05P-.1L-2A	.6250-28 UN-2A
10	.890 (22.61)	.670 (17.02)	1.188 (3.18)	.890 (22.61)	.855 (21.72)	.658 (16.71)		.6250-.05P-.1L-2A	.6875-28 UN-2A
11	.935 (23.75)	.715 (18.16)	1.250 (31.75)	.960 (24.38)	.925 (23.50)	.718 (18.24)		.6875-.05P-.1L-2A	.7500-28 UN-2A
13	1.030 (26.16)	.812 (2.62)	1.375 (34.92)	1.078 (27.38)	1.044 (26.52)	.845 (21.46)		.8125-.1P-.2L-2A	.8750-28 UN-2A
16	1.219 (3.96)	.981 (24.92)	1.625 (41.28)	1.265 (32.13)	1.230 (31.24)	1.022 (25.96)		1.0000-.1P-.2L-2A	1.0625-20 UN-2A
17	1.280 (32.51)	1.060 (26.92)	1.700 (43.18)	1.325 (33.65)	1.290 (32.77)	1.096 (27.84)		1.0625-.1P-.2L-2A	1.1250-28 UN-2A
19	1.432 (36.37)	1.191 (3.25)	1.900 (48.26)	1.450 (36.83)	1.415 (35.94)	1.225 (31.12)		1.1875-.1P-.2L-2A	1.2500-28 UN-2A
21	1.565 (39.75)	1.322 (33.58)	2.100 (53.34)	1.625 (41.28)	1.577 (4.06)	1.345 (34.16)		1.3125-.1P-.2L-2A	1.3750-28 UN-2A

Dimensions (Continued)										
Shell Size	L Thread	Ø M	Ø T	N Flat ± .002 (0.05)	Ø P +.005 (+.13) -.000 (-.00)	Ø R ±.005 (.13)	Ø U	V Sq	W Cinch Nuts	X
5	.3750-28 UN-2A	.244 (6.20)	.175 (4.44)	.356 (9.04)	.380 (9.65)	.328 (8.33)	.774 (19.66)	.623 (15.82)	2-56	.030 (.76)
6	.4375-28 UNEF-2A	.330 (8.38)	.238 (6.05)	.416 (10.57)	.443 (11.25)	.390 (9.91)	.860 (21.84)	.683 (17.35)		
7	.5625-32 UN-2A	.432 (10.97)	.327 (8.31)	.542 (13.77)	.567 (14.40)	.453 (11.51)	.944 (23.98)	.743 (18.87)		
8	.5625-32 UN-2A	.493 (12.52)	.388 (9.86)	.542 (13.77)	.567 (14.40)	.515 (13.08)	1.032 (26.21)	.805 (20.45)		
9	.6250-28 UN-2A	.551 (14.00)	.446 (11.33)	.602 (15.29)	.630 (16.00)	.578 (14.68)	1.180 (29.97)	.927 (23.55)	4-40	.060 (1.52)
10	.6875-28 UN-2A	.620 (15.75)	.516 (13.11)	.666 (16.92)	.693 (17.60)	.640 (16.26)	1.268 (32.21)	.990 (25.15)		
11	.7500-28 UN-2A	.662 (16.81)	.557 (14.15)	.730 (18.54)	.755 (19.18)	.703 (17.86)	1.331 (33.81)	1.035 (26.29)		
13	.8750-28 UN-2A	.703 (17.86)	.599 (15.21)	.851 (21.62)	.880 (22.35)	.828 (21.03)	1.470 (37.34)	1.132 (28.75)		
16	1.0625-20 UN-2A	.863 (21.92)	.759 (19.28)	1.028 (26.11)	1.067 (27.10)	1.015 (25.78)	1.708 (43.38)	1.301 (33.05)		
17	1.1250-28 UN-2A	.912 (23.16)	.808 (20.52)	1.102 (27.99)	1.130 (28.70)	1.078 (27.38)	1.822 (46.28)	1.382 (35.10)		
19	1.2500-28 UN-2A	1.018 (25.86)	.910 (23.11)	1.243 (31.57)	1.255 (31.88)	1.203 (30.56)	2.006 (50.95)	1.511 (38.38)		
21	1.3750-28 UN-2A	1.170 (29.72)	1.061 (26.95)	1.354 (34.39)	1.380 (35.05)	1.328 (33.73)	2.190 (55.63)	1.642 (41.71)		



Material / finish:

- Shell, jam-nut: aluminum alloy or CRES; see How to Order Table
- Insulator: high grade rigid dielectric / N.A.
- Interfacial seal, O-rings: fluorosilicone / N.A.
- Contact: copper alloy / gold plate per ASTM B 488, Type II, Code C, Class 1.25, over a suitable underplate
- Potting compound: epoxy

Dimensions in Inches (millimeters) are subject to change without notice.



Series 801 Mighty Mouse Double-Start ACME Thread PCB Receptacle with Twinax Contacts

801-123 Ordering Information

Twin-Ax PC Tail Receptacle

Features a double-start modified stub ACME mating thread for improved protection against cross-mating and thread damage. Mounting options include rear panel mount square flange connector and rear panel mount jam-nut connector. Style 02, square flange connector can also be mounted front or rear depending on your application.

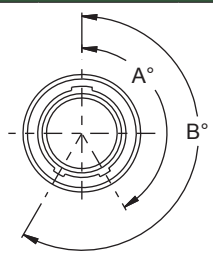
6 shell sizes available in 17 insert arrangements including 8 size #12 twinax contact arrangements or 9 combo arrangements with size #12 twinax and #23 contacts. Connectors are environmentally sealed. Contacts are non-removable and back potted.

How To Order

Sample Part Number	801-123	-07	M	7-1	P	A
Series	801-123 = TwinAx PCB Receptacle					
Shell Style	-02 = Square Flange, Front or Rear Panel Mount -12 = Square Flange, Rear Panel Mount with Non-Locking Clinch Nuts -22 = Square Flange, Rear Panel Mount with Locking Clinch Nuts -07 = Jam-Nut, Rear Panel Mount					
Material and Finish	C = Aluminum / Black Anodize (Non-Conductive) RoHS Compliant M = Aluminum / Electroless Nickel RoHS Compliant MT = Aluminum / Nickel-PTFE RoHS Compliant NF = Aluminum / Cadmium with Olive Drab Chromate ZNU = Aluminum / Zinc-Nickel with Black Chromate Z1 = Stainless Steel / Passivated RoHS Compliant					
Shell Size - Insert Arrangement	7-1, 10-2, 13-2, 13-3, 16-4, 16-5, 17-7, 21-12, 10-200, 10-201, 13-200, 13-201, 13-204, 13-205, 16-206, 16-207, 17-204 See Contact Arrangements page D-3					
Contact Type	P = Pin, PC Tail S = Socket, PC Tail					
Polarization (See Table I)	A = Normal B = Pos. B C = Pos. C D = Pos. D E = Pos. E F = Pos. F					

D

Table I: Keyway Positions



Position	A°	B°
A	150°	210°
B	75°	210°
C	95°	230°
D	140°	275°
E	75°	275°
F	95°	210°

NOTES

- Contacts are non-removable and back potted
- Connector mates with all 801 series high-density plug connectors with same size, insert arrangement, polarization and opposite contact gender
- Connector is environmentally sealed to meet a helium leak detection level less than 10^{-4} CC/SEC at one atmosphere Delta P

Material / finish:

- Shell, jam-nut: aluminum alloy or CRES
- Insulator: high grade rigid dielectric
- Interfacial seal, O-ring: fluorosilicone/N.A.
- Contact: copper alloy / gold plate per ASTM B 488, Type II, Code C, Class 1.25 (.00005 minimum thickness), over a suitable underplate
- Potting compound: RTV

Dimensions in Inches (millimeters) are subject to change without notice.

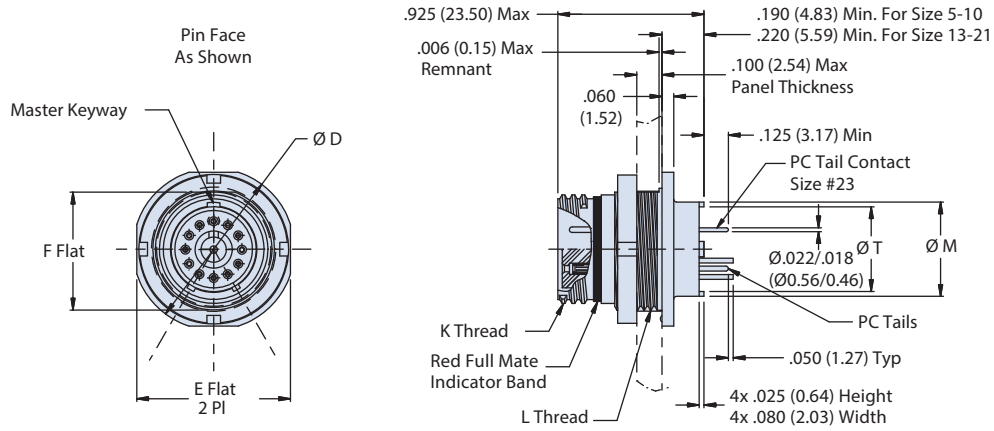
Series 801 Mighty Mouse Double-Start ACME Thread PCB Receptacle with Twinax Contacts

801-123 Dimensions

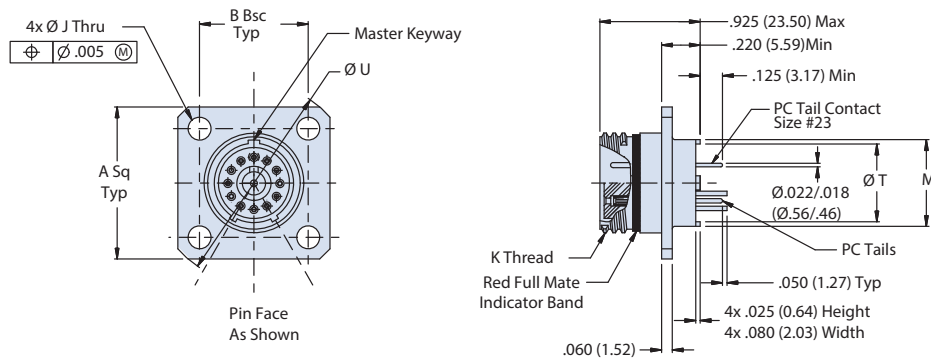


Series 801

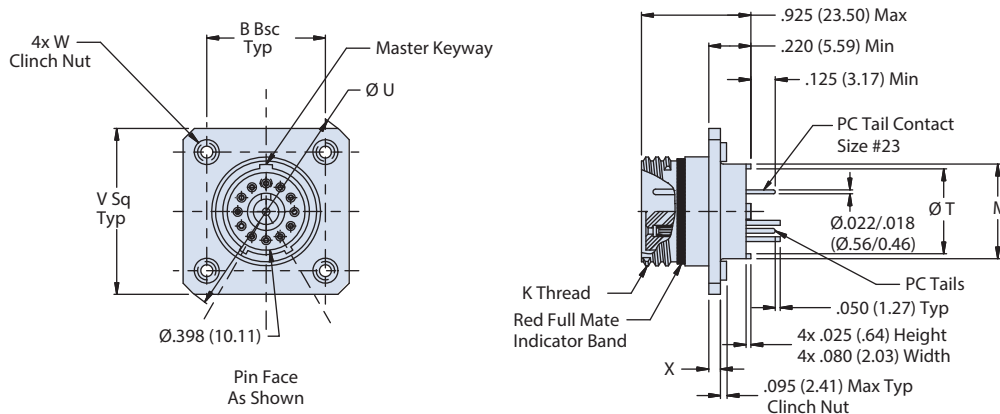
Jam-nut mount receptacle - shell style 07



Square flange mount receptacle - shell style 02



Square flange mount receptacle - shell style 12 and 22



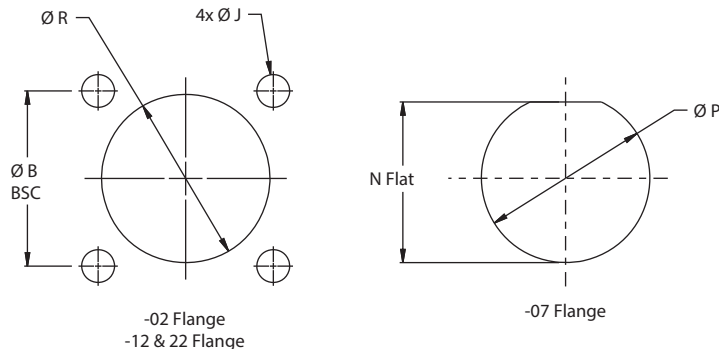
Dimensions in Inches (millimeters) are subject to change without notice.



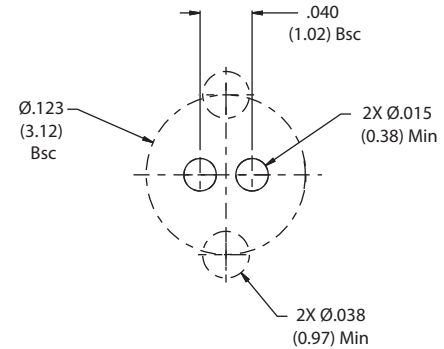
Series 801 Mighty Mouse Double-Start ACME Thread PCB Receptacle with Twinax Contacts

801-123 Dimensions

Recommended Panel Cutouts



#12 TwinAx PCB
Footprint Detail



Dimensions

Shell Size	A Sq	B BSC	Ø C	Ø D	E Flat	F Flat	J Holes	K Thread	L Thread	Ø M	Ø T
7	0.650 (16.51)	0.483 (12.27)	0.850 (21.59)	0.755 (19.18)	0.723 (18.36)	0.536 (13.61)	.096 (2.44) .091 (2.31)	.4375-.05P-.1L-2A	.5625-32 UN-2A	0.432 (10.97)	0.327 (8.31)
10	0.890 (22.61)	0.670 (17.02)	1.188 (30.18)	0.890 (22.61)	0.855 (21.72)	0.658 (16.71)	0.130 (3.30) 0.126 (3.20)	.6250-.05P-.1L-2A	.6875-28 UN-2A	0.620 (15.75)	0.516 (13.11)
13	1.030 (26.16)	0.812 (20.62)	1.375 (34.92)	1.078 (27.38)	1.044 (26.52)	0.845 (21.46)		.8125-.1P-.2L-2A	.8750-28 UN-2A	0.703 (17.86)	0.599 (15.21)
16	1.219 (30.96)	0.981 (24.92)	1.625 (41.28)	1.265 (32.13)	1.230 (31.24)	1.022 (25.96)		1.0000-.1P-.2L-2A	1.0625-20 UN-2A	0.863 (21.92)	0.759 (19.28)
17	1.280 (32.51)	1.060 (26.92)	1.700 (43.18)	1.325 (33.65)	1.290 (32.77)	1.096 (27.84)		1.0625-.1P-.2L-2A	1.1250-28 UN-2A	0.912 (23.16)	0.808 (20.52)
21	1.565 (39.75)	1.322 (33.58)	2.100 (53.34)	1.625 (41.28)	1.577 (40.06)	1.345 (34.16)		1.3125-.1P-.2L-2A	1.3750-28 UN-2A	1.170 (29.72)	1.061 (26.95)

Dimensions (continued)

Shell Size	N Flat	Ø P	Ø R ±.005 (.13)	Ø U	V SQ	W Clinch Nuts	X
7	.544 (13.82) .540 (13.72)	.572 (14.53) .567 (14.40)	.453 (11.51)	0.944 (23.98)	0.743 (18.87)	2-56	0.030 (0.76)
10	.666 (16.92) .662 (16.81)	.698 (17.73) .693 (17.60)	0.640 (16.26)	1.268 (32.21)	0.990 (25.15)	4-40	0.060 (1.52)
13	.853 (21.67) .849 (21.56)	.885 (22.48) .880 (22.35)	.828 (21.03)	1.470 (37.34)	1.132 (28.75)		
16	1.030 (26.16) 1.026 (26.06)	1.072 (27.23) 1.067 (27.10)	1.015 (25.78)	1.708 (43.38)	1.301 (33.05)		
17	1.104 (28.04) 1.100 (27.94)	1.135 (28.83) 1.130 (28.70)	1.078 (27.38)	1.822 (46.28)	1.382 (35.10)		
21	1.354 (34.39) 1.350 (34.29)	1.385 (35.18) 1.380 (35.05)	1.328 (33.73)	2.190 (55.63)	1.642 (41.71)		

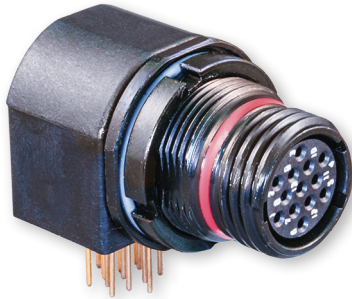
Dimensions in Inches (millimeters) are subject to change without notice.

Series 801 Mighty Mouse Double-Start ACME Thread Right Angle PCB Header Receptacle with PC tails

801-023 Ordering Information



Series 801



Right Angle Printed Circuit Board Receptacle Feature a double-start modified stub ACME mating thread for improved protection against cross-mating and thread damage. High temperature thermoplastic housing withstands soldering temperatures while reducing weight. Stainless steel threaded inserts simplify attachment to printed circuit board.

- Double-Start ACME Thread
- Right Angle PCB Receptacle
- High Temperature Housing
- Threaded Inserts
- Environmentally Sealed

How To Order						
Sample Part Number	801-023	-07	M	7-10	P	A
Series	801-023 = PCB Right Angle Header Receptacle					
Shell Style	-07 = Jam-Nut, Rear Panel Mount					
Material and Finish	C = Aluminum / Black Anodize (Non-Conductive) RoHS Compliant M = Aluminum / Electroless Nickel RoHS Compliant MT = Aluminum / Nickel-PTFE RoHS Compliant NF = Aluminum / Cadmium with Olive Drab Chromate ZNU = Aluminum / Zinc-Nickel with Black Chromate Z1 = Stainless Steel / Passivated RoHS Compliant					
Shell Size - Insert Arrangement	5-3, 6-1, 6-23, 6-4, 6-6, 6-7, 7-1, 7-25, 7-10, 8-2, 8-28, 8-13, 9-4, 9-210, 9-19, 9-200, 10-2, 10-5, 10-201 See Contact Arrangements page D-3					
Contact Type	P = Pin S = Socket					
Polarization (See Table I)	A = Normal B = Pos. B C = Pos. C D = Pos. D E = Pos. E F = Pos. F G = Pos. G H = Pos. H J = Pos. J					

NOTES

1. Torque 2-56 screws to 20-25 in/oz with Loc-Tite recommended
2. For shell sizes 5-8, 2-56 start of thread is .100 +.000/-.050 below surface and mounting hole depth is .300
For Shell sizes 9 & 10, 2-56 start of thread is .150 and mounting hole depth is .350
3. Master keyway is located at top dead center for all arrangements except for the 8-13, which is 90° counter clockwise from top center.

Material / finish:

- Shell, jam-nut: aluminum alloy or CRES
- Insulator: LCP or epoxy
- Interfacial seal, O-ring: fluorosilicone/N.A.
- Contact: copper alloy / gold plate per ASTM B 488, Type II, Code C, Class 1.25 (.00005 minimum thickness), over a suitable underplate
- Potting: epoxy

Table I: Keyway Positions

Position	A°	B°
A	150°	210°
B	75°	210°
C	95°	230°
D	140°	275°
E	75°	275°
F	95°	210°

Jam-Nut Panel Cutout

Shell Size	A Flat +.004 (+.10) -.000 (-.00)	Ø B +.005 (+.13) -.000 (-.00)
5	.354 (8.99)	.380 (9.65)
6	.414 (10.52)	.443 (11.25)
7	.540 (13.72)	.567 (14.40)
8	.540 (13.74)	.567 (14.40)
9	.600 (15.24)	.630 (16.00)
10	.662 (16.81)	.693 (17.60)

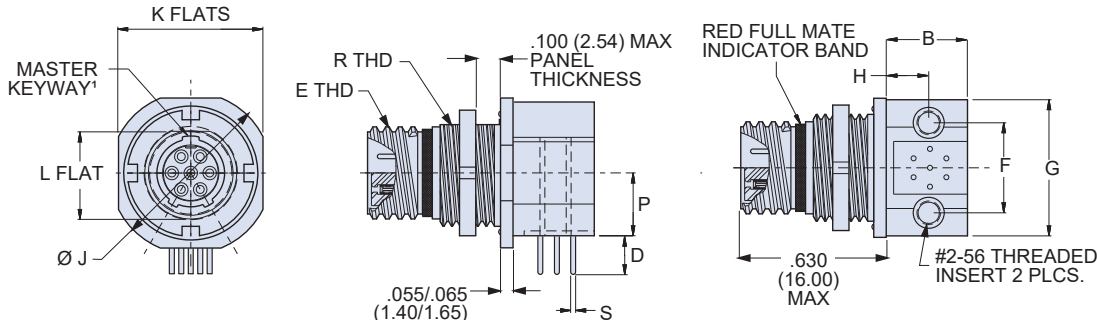
Dimensions in Inches (millimeters) are subject to change without notice.



Series 801 Mighty Mouse Double-Start ACME Thread Right Angle PCB Header Receptacle with PC tails

801-023 Dimensions

Jam-nut, rear panel mount - shell style 07



PC Tail Dimensions	
Contact Size	Ø S
#23	Ø .018/.022
#20	Ø .028/.024
#16	Ø .060/.064
#12	Ø .092/.096

Dimensions

Shell Size	B	D ±.035	E Thread	F	G	H	Ø J	K Flat	L Flat	P	R Thread
5-3	.260 (6.60)	.275 (6.99)	.3125-.05P-.1L-DS- 2A	.310 (7.87)	.490 (12.45)	.165 (4.19)	.580 (14.73)	.545 (13.84)	.355 (9.02) .346 (8.79)	.225 (5.72)	.375-28 UN-2A
6-1	.345 (8.76)	.292 (7.42)	.3750-.05P-.1L-DS- 2A	.385 (9.78)	.589 (14.96)	.224 (5.69)	.635 (16.13)	.602 (15.29)	.415 (10.54) .406 (10.31)	.225 (5.72)	.4375-28 UNEF-2A
6-23	.345 (8.76)	.305 (7.75)	.3750-.05P-.1L-DS- 2A	.385 (9.78)	.589 (14.96)	.224 (5.69)	.635 (16.13)	.602 (15.29)	.415 (10.54) .406 (10.31)	.225 (5.72)	.4375-28 UNEF-2A
6-4	.345 (8.76)	.292 (7.42)	.3750-.05P-.1L-DS-2A	.385 (9.78)	.589 (14.96)	.224 (5.69)	.635 (16.13)	.602 (15.29)	.415 (10.54) .406 (10.31)	.225 (5.72)	.4375-28 UNEF-2A
6-6, 6-7	.345 (8.76)	.265 (6.73)	.3750-.05P-.1L-DS-2A	.408 (10.36)	.589 (14.96)	.187 (4.75)	.635 (16.13)	.602 (15.29)	.415 (10.54) .406 (10.31)	.225 (5.72)	.4375-28 UNEF-2A
7-1	.345 (8.76)	.273 (6.93)	.4375-.05P-.1L-DS- 2A	.452 (11.48)	.710 (18.03)	.170 (4.32)	.755 (19.18)	.723 (18.36)	.539 (13.69) .530 (13.46)	.296 (7.52)	.5625-32 UN-2A
7-25	.345 (8.76)	.266 (6.76)	.4375-.05P-.1L-DS- 2A	.452 (11.48)	.710 (18.03)	.170 (4.32)	.755 (19.18)	.723 (18.36)	.539 (13.69) .530 (13.46)	.296 (7.52)	.5625-32 UN-2A
7-10	.345 (8.76)	.273 (6.93)	.4375-.05P-.1L-DS-2A	.452 (11.48)	.710 (18.03)	.170 (4.32)	.755 (19.18)	.723 (18.36)	.539 (13.69) .530 (13.46)	.296 (7.52)	.5625-32 UN-2A
8-2	.490 (12.45)	.305 (7.75)	.5000-.05P-.1L-DS- 2A	.490 (12.45)	.710 (18.03)	.230 (5.84)	.755 (19.18)	.723 (18.36)	.539 (13.69) .530 (13.46)	.320 (8.13)	.5625-32 UN-2A
8-28	.490 (12.45)	.289 (7.34)	.5000-.05P-.1L-DS- 2A	.490 (12.45)	.710 (18.03)	.230 (5.84)	.755 (19.18)	.723 (18.36)	.539 (13.69) .530 (13.46)	.320 (8.13)	.5625-32 UN-2A
8-13	.490 (12.45)	.305 (7.75)	.5000-.05P-.1L-DS-2A	.490 (12.45)	.710 (18.03)	.230 (5.84)	.755 (19.18)	.723 (18.36)	.539 (13.69) .530 (13.46)	.320 (8.13)	.5625-32 UN-2A
9-4	.490 (12.45)	.240 (6.10)	.5625-.05P-.1L-DS- 2A	.600 (15.24)	.800 (20.32)	.342 (8.69)	.830 (21.08)	.790 (20.07)	.601 (15.27) .592 (15.04)	.362 (9.19)	.6250-28 UN-2A
9-210	.490 (12.45)	.245 (6.22)	.5625-.05P-.1L-DS- 2A	.600 (15.24)	.800 (20.32)	.342 (8.69)	.830 (21.08)	.790 (20.07)	.601 (15.27) .592 (15.04)	.362 (9.19)	.6250-28 UN-2A
9-19	.490 (12.45)	.275 (6.99)	.5625-.05P-.1L-DS-2A	.600 (15.24)	.800 (20.32)	.342 (8.69)	.830 (21.08)	.790 (20.07)	.601 (15.27) .592 (15.04)	.362 (9.19)	.6250-28 UN-2A
9-200	.490 (12.45)	.255 (6.48)	.5625-.05P-.1L-DS- 2A	.600 (15.24)	.800 (20.32)	.342 (8.69)	.830 (21.08)	.790 (20.07)	.601 (15.27) .592 (15.04)	.362 (9.19)	.6250-28 UN-2A
10-2	.570 (14.48)	.299 (7.59)	.6250-.05P-.1L-DS- 2A	.640 (16.26)	.840 (21.34)	.362 (9.19)	.890 (22.61)	.855 (21.72)	.663 (16.84) .654 (16.61)	.397 (10.08)	.6875-28 UN-2A
10-5	.570 (14.48)	.255 (6.48)	.6250-.05P-.1L-DS- 2A	.640 (16.26)	.840 (21.34)	.362 (9.19)	.890 (22.61)	.855 (21.72)	.663 (16.84) .654 (16.61)	.397 (10.08)	.6875-28 UN-2A
10-201	.570 (14.48)	.294 (7.47)	.6250-.05P-.1L-DS- 2A	.640 (16.26)	.840 (21.34)	.362 (9.19)	.890 (22.61)	.855 (21.72)	.663 (16.84) .654 (16.61)	.397 (10.08)	.6875-28 UN-2A

Dimensions in Inches (millimeters) are subject to change without notice.

Series 801 Mighty Mouse Double-Start ACME Thread Right Angle PCB Receptacle 801-023 PCB Footprints, Socket Connectors

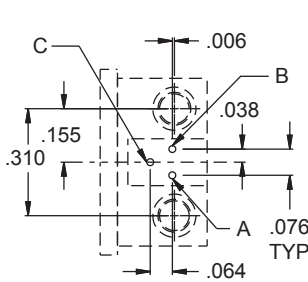


Series 801

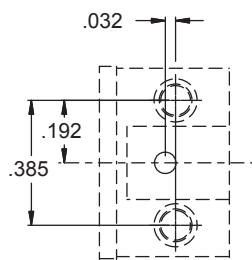
RIGHT ANGLE PCB FOOTPRINTS, SOCKET CONNECTORS

Patterns shown are for component mounting side of PCB.

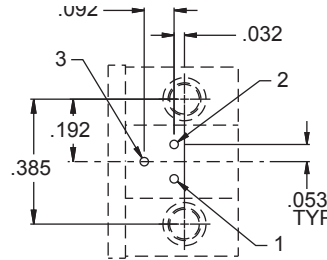
#23=.022 max #20=.028 #16=.064 #12=.096, mounting holes are .093 (2.36) diameter



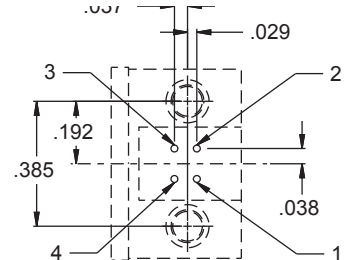
ARRANGEMENT NO. 5-3
(3 #23 CONTACTS)



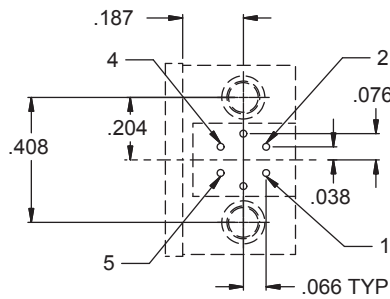
ARRANGEMENT NO. 6-1
(1 #16 CONTACT)



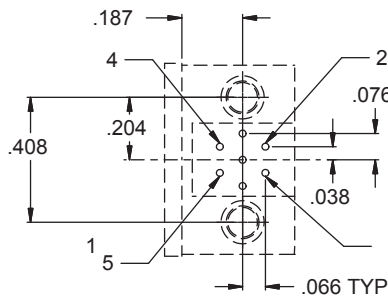
ARRANGEMENT NO. 6-23
(3 #20HD CONTACTS)



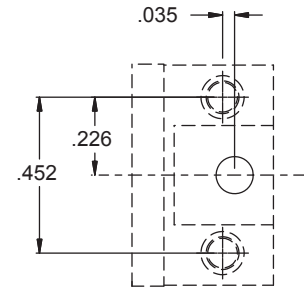
ARRANGEMENT NO. 6-4
(4 #23 CONTACTS)



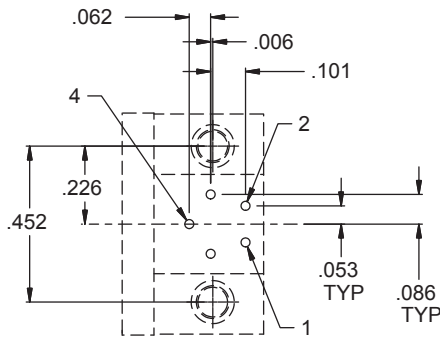
ARRANGEMENT NO. 6-6
(6 #23 CONTACTS)



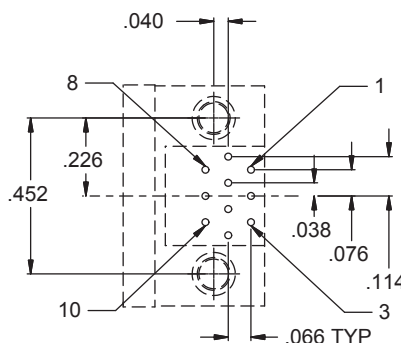
ARRANGEMENT NO. 6-7
(7 #23 CONTACTS)



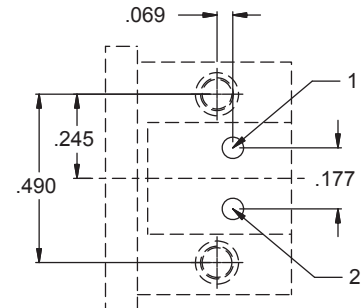
ARRANGEMENT NO. 7-1
(1 #12 CONTACT)



ARRANGEMENT NO. 7-25
(5 #20HD CONTACTS)



ARRANGEMENT NO. 7-10
(10 #23 CONTACTS)



ARRANGEMENT NO. 8-2
(2 #16 CONTACTS)

Dimensions in Inches (millimeters) are subject to change without notice.



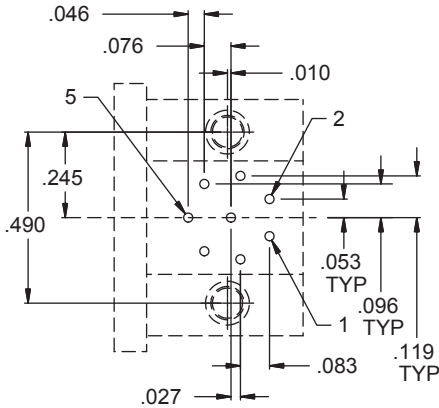


Series 801 Mighty Mouse Double-Start ACME Thread Right Angle PCB Receptacle 801-023 PCB Footprints, Socket Connectors

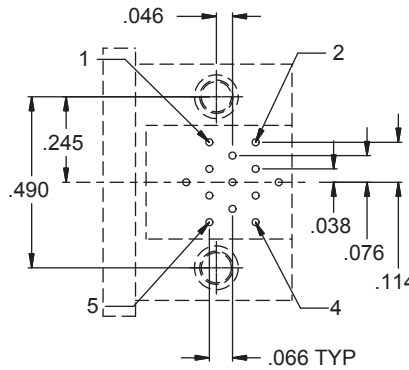
RIGHT ANGLE PCB FOOTPRINTS, SOCKET CONNECTORS

Patterns shown are for component mounting side of PCB.

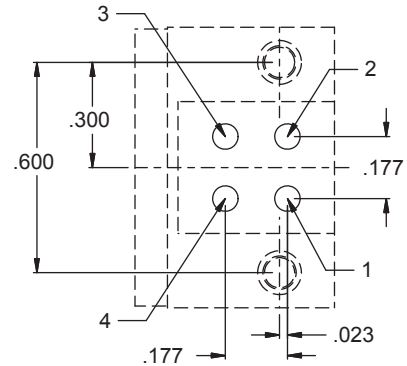
#23=.022 max #20=.028 #16=.064 #12=.096, mounting holes are .093 (2.36) diameter



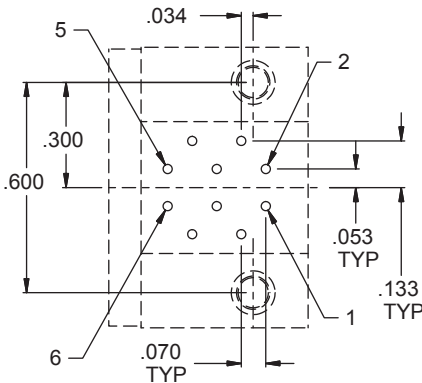
ARRANGEMENT NO. 8-28
(8 #20HD CONTACTS)



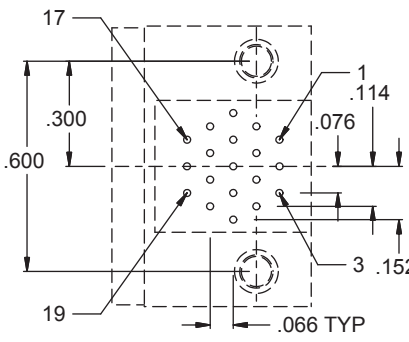
ARRANGEMENT NO. 8-13
(13 #23 CONTACTS)



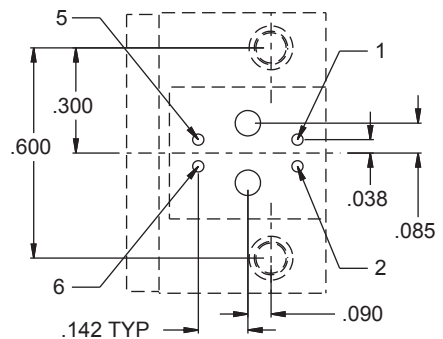
ARRANGEMENT NO. 9-4
(4 #16 CONTACTS)



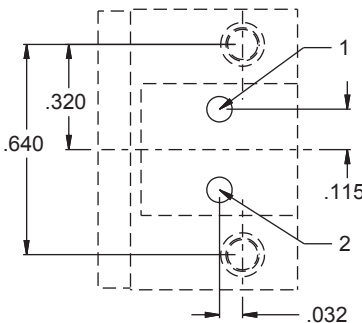
ARRANGEMENT NO. 9-210
(10 #20HD CONTACTS)



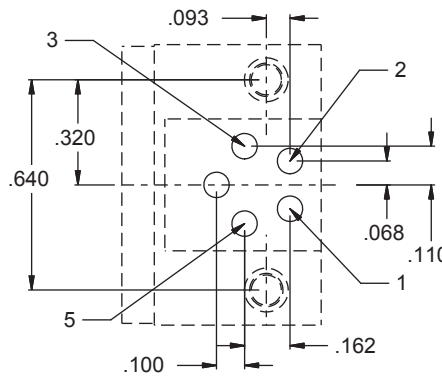
ARRANGEMENT NO. 9-19
(19 #23 CONTACTS)



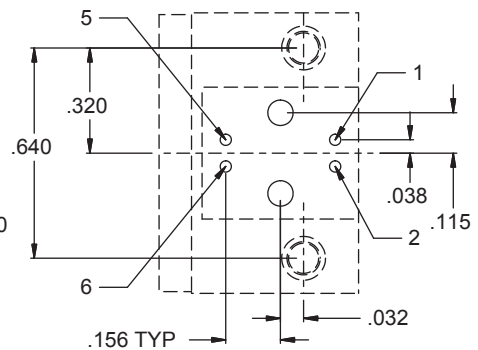
ARRANGEMENT NO. 9-200
(2#16, 4 #23 CONTACTS)



ARRANGEMENT NO. 10-2
(2 #12 CONTACTS)



ARRANGEMENT NO. 10-5
(5 #16 CONTACTS)



ARRANGEMENT NO. 10-201
(2 #12, 4 #23 CONTACTS)

Dimensions in Inches (millimeters) are subject to change without notice.

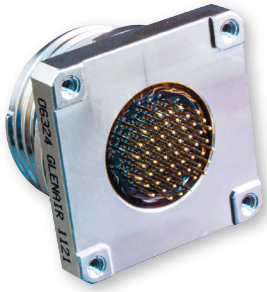
D

Series 801 Mighty Mouse Double-Start ACME Thread PC Tail Receptacle with Threaded Standoff

801-075 Ordering Information



Series 801



Rear Panel Mount Jam-Nut Receptacle connectors offer military grade performance in a small, lightweight package. Features a double-start modified stub ACME mating thread for improved protection against cross-mating and thread damage. Aluminum or stainless steel, square flange receptacle for attachment to rigid PC boards. Square flange receptacle with integral standoffs for PC board washout come threaded with #2-56 stainless steel heli-coils. Gold-plated copper alloy PC tail contacts are factory installed and potted with epoxy. Contacts are non-removable.

How To Order	
Sample Part Number	801-075 -07 M 6-7 P A
Series	801-075 = Receptacle with Printed Circuit Board Contacts or Solder Cup Contacts
Shell Style	-07 = Jam-Nut, Rear Panel Mount
Material and Finish	M = Aluminum / Electroless Nickel RoHS Compliant MT = Aluminum / Nickel-PTFE RoHS Compliant NF = Aluminum / Cadmium with Olive Drab Chromate ZNU = Aluminum / Zinc-Nickel with Black Chromate Z1 = Stainless Steel / Passivated RoHS Compliant
Shell Size - Insert Arrangement	See Contact Arrangements page D-3
Contact Type	P = Pin, PC Tail S = Socket, PC Tail
Polarization (See Table I)	A = Normal B = Pos. B C = Pos. C D = Pos. D E = Pos. E F = Pos. F G = Pos. G H = Pos. H J = Pos. J

D

Table I: Keyway Positions

Position	A°	B°
A	150°	210°
B	75°	210°
C	95°	230°
D	140°	275°
E	75°	275°
F	95°	210°

NOTES

1. Contacts are non removable, the connector is back potted
2. This receptacle connector mates with all quick coupling high density plug connectors with same polarization and opposite contact gender (801-01, 801-002, 801-007, and 801-008)

Material / finish:

- Shell, jam-nut: aluminum alloy or CRES
- Insulator: LCP / N.A.
- Interfacial seal, O-ring, peripheral seal: fluorosilicone / N.A.
- Contact: copper alloy / gold plate per ASTM B 488, Type II, Code C, Class 1.25 (.00005 minimum thickness), over a suitable underplate
- Potting compound: epoxy / N.A.

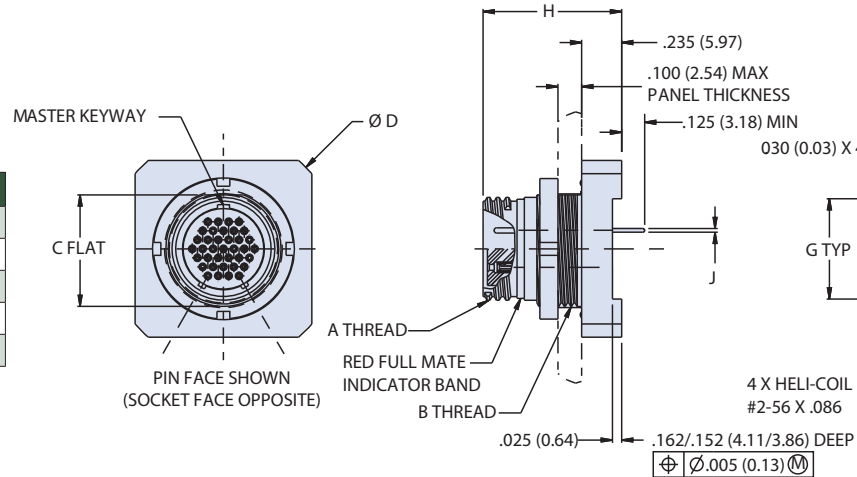
Dimensions in Inches (millimeters) are subject to change without notice.

Series 801 Mighty Mouse Double-Start ACME Thread PC Tail Receptacle with Threaded Standoff

801-075-07 Dimensions

Jam-nut PCB receptacle with threaded heli-coil standoff - shell style 07

PC Tail Dimensions	
Contact Size	Ø J
#23	Ø .018/.022
#20	Ø .028/.024
#16	Ø .060/.064
#12	Ø .092/.096



D

Dimensions								
Shell Size	A Thread	B Thread	C Flat	Ø D	E SQ	F BSC	G Typ	H
5	.3125-.05P-.1L-2A	.3750-28 UN-2A	.348 (8.84)	.720 (18.29)	.545 (13.84)	.363 (9.22)	.143 (3.63)	.772 (19.61)
6	.375-.05P-.1L-2A	.4375-28 UNEF-2A	.408 (10.36)	.800 (20.32)	.595 (15.11)	.423 (10.74)	.203 (5.16)	.772 (19.61)
7	.4375-.05P-1L2A	.5625-32 UN-2A	.534 (13.56)	.900 (22.86)	.723 (18.36)	.483 (12.27)	.263 (6.68)	.772 (19.61)
8	.5000-.05P-1L-2A	.5625-32 UN-2A	.534 (13.56)	.980 (24.89)	.723 (18.36)	.545 (13.84)	.325 (8.25)	.772 (19.61)
9	.5625-.05P-.1L-2A	.6250-28 UN-2A	.594 (15.09)	1.080 (27.43)	.790 (20.07)	.607 (15.42)	.387 (9.83)	.772 (19.61)
10	.6250-.05P-1L-2A	.6875-28 UN-2A	.656 (16.66)	1.160 (29.46)	.855 (21.72)	.670 (17.02)	.450 (11.43)	.772 (19.61)
11	.6875-.05P-1L-2A	.7500-28 UN-2A	.716 (18.19)	1.220 (30.99)	.925 (23.50)	.715 (18.16)	.495 (12.57)	.772 (19.61)
13	.8125-.1P-.2L-2A	.8750-28 UN-2A	.843 (21.41)	1.370 (34.80)	1.044 (26.52)	.812 (20.62)	.592 (15.04)	.881 (22.38)
16	1.0000-.1P-.2L-2A	1.0625-20 UN-2A	1.020 (25.91)	1.620 (41.15)	1.230 (31.24)	.981 (24.92)	.751 (19.08)	.881 (22.38)
17	1.0625-.1P-.2L-2A	1.1250-28 UN-2A	1.094 (27.79)	1.720 (43.69)	1.290 (32.77)	1.060 (26.92)	.840 (21.34)	.881 (22.38)
19	1.1875-.1P-.2L-2A	1.2500-28 UN-2A	1.225 (31.12)	1.920 (48.77)	1.415 (35.94)	1.191 (30.25)	.971 (24.66)	.881 (22.38)
21	1.3125-.1p-.2L-2a	1.3750-28 UN-2A	1.345 (34.16)	2.100 (53.34)	1.577 (40.06)	1.322 (33.58)	1.102 (27.99)	.881 (22.38)

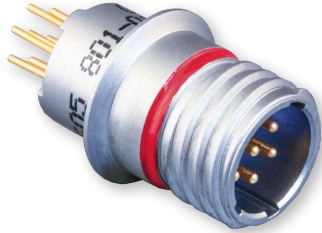
Jam-Nut Panel Cutout		
	A FLAT	Ø B
Shell Size	A Flat ± .002 (.05)	Ø B +.005 (-.13) -.000 (-.00)
5	.356 (9.04)	.380 (9.65)
6	.416 (10.57)	.443 (11.25)
7	.542 (13.77)	.567 (14.40)
8	.542 (13.77)	.567 (14.40)
9	.602 (15.29)	.630 (16.00)
10	.664 (16.87)	.693 (17.60)
11	.726 (18.44)	.755 (19.18)
13	.851 (21.62)	.880 (22.35)
16	1.028 (26.11)	1.067 (27.10)
17	1.102 (27.99)	1.130 (28.70)
19	1.233 (31.32)	1.255 (31.88)
21	1.352 (34.34)	1.380 (35.05)

Dimensions in Inches (millimeters) are subject to change without notice.

Series 801 Mighty Mouse Double-Start ACME Thread Hermetic Receptacle, Solder Cup or PC Tail 801-012 Ordering Information



Series 801



Series 801 Hermetic Receptacles
Feature a double-start modified stub ACME mating thread for improved protection against cross-mating and thread damage. 304L stainless steel shells suitable for E-Beam welding. Hermeticity is less than 1×10^{-7} cc/second helium leak rate. Four Shell Styles available including solder

mount, weld mount, jam-nut or square flange. Integral standoffs for solder washout. Solder cup or PC tail contacts for attachment to flex or rigid circuit boards. Contacts are alloy 52 and gold plated.

How To Order		801-012	-03	Z1	7-10	P	A
Sample Part Number							
Series	801-012 = Hermetic Receptacles						
Shell Style (See Table I)	-02 = Square Flange, Front or Rear Panel Mount -03 = Solder Mount -07 = Jam-Nut, Rear Panel Mount -13 = Weld Mount						
Material and Finish	Z1 = Stainless Steel / Passivated RoHS Compliant ZL = Stainless Steel / Nickel Plated						
Shell Size - Insert Arrangement	See Contact Arrangements page D-3						
Contact Type	P = Pin, Solder Cup S = Socket, Solder Cup C = Pin, PC Tail D = Socket, PC Tail						
Polarization (See Table II)	A = Normal B = Pos. B C = Pos. C D = Pos. D E = Pos. E F = Pos. F G = Pos. G H = Pos. H J = Pos. J						

Table I: Shell Style			
Style -02 Square Flange	Style -03 Solder Mount	Style -07 Jam-Nut	Style -13 Weld Mount

Table II: Keyway Positions		
Position	A°	B°
A	150°	210°
B	75°	210°
C	95°	230°
D	140°	275°
E	75°	275°
F	95°	210°

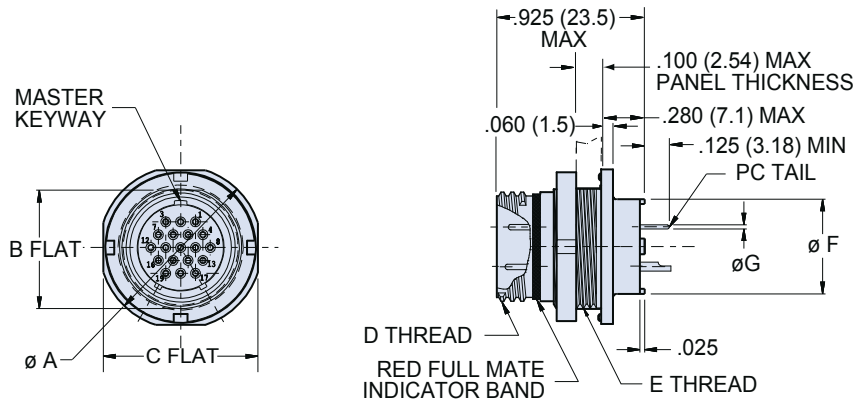
NOTES

- Hermeticity is less than 1×10^{-6} cc/SEC at one atmosphere, not for use in liquid environment
- This connector mates with all quick coupling high density plug connectors with same polarization and opposite contact gender, (801-001, 801-002, 801-007, and 801-008)

Dimensions in Inches (millimeters) are subject to change without notice.

D

Jam-nut mount receptacle - shell style 07



Dimensions

Shell Size	Ø A	B Flat	C Flat	D Thread	E Thread UN-2A	Ø F	Ø G Tail Dia.
5	.575 (14.60)	.350 (8.89)	.545 (13.84)	.3125-.05P-.1L-2A	.3750-28	.244 (6.20)	#23 .018/.022 (0.46/0.56)
6	.635 (16.13)	.410 (10.41)	.595 (15.11)	.3750-.05P-.1L-2A	.4375-28	.330 (8.38)	#20
7	.755 (19.18)	.536 (13.61)	.723 (18.36)	.4375-.05P-1L-2A	.5625-32	.432 (10.97)	.024/.028 (0.61/0.71)
8	.755 (19.18)	.536 (13.61)	.723 (18.36)	.5000-.05P-1L-2A	.5625-32	.493 (12.52)	#16
9	.830 (21.08)	.596 (15.14)	.790 (20.07)	.5625-.05P-1L-2A	.6250-28	.551 (14.00)	.060/.064 (1.52/1.63)
10	.890 (22.61)	.658 (16.71)	.855 (21.72)	.6250-.05P-1L-2A	.6875-28	.620 (15.75)	#12
11	.960 (24.38)	.718 (18.24)	.925 (23.50)	.6875-.05P-1L-2A	7500-28	.662 (16.81)	.092/.096 (2.34/2.44)
13	1.078 (27.38)	.845 (21.46)	1.044 (26.52)	.8125-.1P-.2L-2A	.8750-28	.703 (17.86)	
16	1.265 (32.13)	1.022 (25.96)	1.230 (31.24)	1.0000-.1P-.2L-2A	1.0625-20	.863 (21.92)	
17	1.325 (33.65)	1.096 (27.84)	1.290 (32.77)	1.0625-.1P-.2L-2A	1.1250-28	.912 (23.16)	
19	1.450 (36.83)	1.225 (31.12)	1.415 (35.94)	1.1875-.1P-.2L-2A	1.2500-28	1.018 (25.86)	
21	1.625 (41.28)	1.346 (34.19)	1.577 (40.06)	1.3125-.1P-.2L-2A	1.3750-28	1.170 (29.72)	

Jam-Nut Panel Cutout

Shell Size	A Flat ± .002 (.05)	Ø B
5	.356 (9.04)	.385 (9.78) .380 (9.65)
6	.416 (10.57)	.448 (11.38) .443 (11.25)
7	.542 (13.77)	.572 (14.53) .567 (14.40)
8	.542 (13.77)	.572 (14.53) .567 (14.40)
9	.602 (15.29)	.635 (16.13) .630 (16.00)
10	.664 (16.87)	.698 (17.73) .693 (17.60)
11	.726 (18.44)	.760 (19.30) .755 (19.18)
13	.851 (21.62)	.885 (22.48) .880 (22.35)
16	1.028 (26.11)	1.075 (27.30) 1.067 (27.10)
17	1.102 (27.99)	1.135 (28.83) 1.130 (28.70)
19	1.233 (31.32)	1.260 (32.00) 1.255 (31.88)
21	1.352 (34.34)	1.385 (35.18) 1.380 (35.05)

Material / finish:

- Shell: CRES 304L / passivate or plate as required
- Jam-nut: CRES / passivate or plate as required
- Contacts: alloy 52 / gold plate
- Seals: fluorosilicone / N.A.
- Insulators:
 - » Fused glass / N.A. (hermetic)
 - » Rigid dielectric / N.A. (socket insulator)
- Sockets:
 - » Copper alloy / gold plate (contact)
 - » CRES / passivated (hood)

Dimensions in Inches (millimeters) are subject to change without notice.

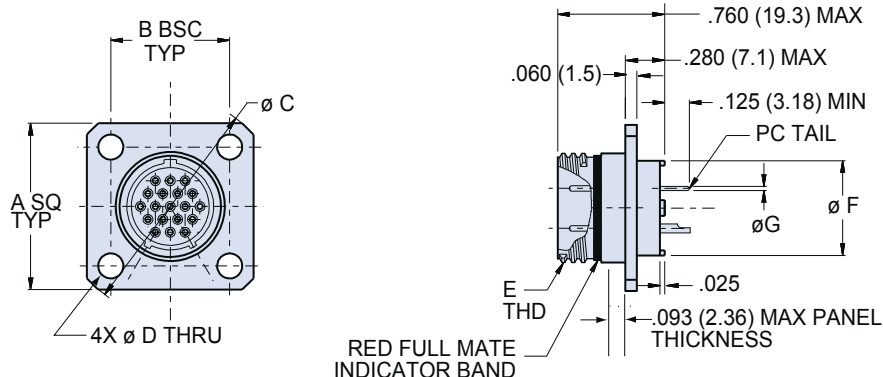
Series 801 Mighty Mouse Double-Start ACME Thread Hermetic Receptacle, Solder Cup or PC Tail

801-012-02 Dimensions



Series 801

Front or Rear, Square Flange Mount - shell style 02



Dimensions							
Shell Size	A Sq	B BSC	Ø C	Ø D	E Thread	Ø F	Ø G Tail Dia
5	.530 (13.46)	.363 (9.22)	.680 (17.27)	.096/.091	.3125-.05P-.1L-2A	0.010 (.244)	#23 .018/.022 (0.46/0.56)
6	.590 (14.99)	.423 (10.74)	.750 (19.05)		.3750-.05P-.1L-2A	0.013 (.330)	
7	.650 (16.51)	.483 (12.27)	.850 (21.59)		.4375-.05P-.1L-2A	0.017 (.432)	
8	.712 (18.08)	.545 (13.84)	.938 (23.83)		.5000-.05P-.1L-2A	0.019 (.493)	
9	.850 (21.59)	.607 (15.42)	1.125 (28.58)	.130/.126	.5625-.05P-.1L-2A	0.022 (.551)	#20 .024/.028 (0.61/0.71)
10	.890 (22.61)	.670 (17.02)	1.188 (30.18)		.6250-.05P-.1L-2A	0.024 (.620)	
11	.935 (23.75)	.715 (18.16)	1.250 (31.75)		.6875-.05P-.1L-2A	0.026 (.662)	
13	1.030 (26.16)	.812 (20.62)	1.375 (34.92)		.8125-.1P-.2L-2A	0.028 (.703)	
16	1.219 (30.96)	.981 (24.92)	1.625 (41.28)		1.0000-.1P-.2L-2A	0.034 (.863)	
17	1.280 (32.51)	1.060 (26.92)	1.700 (43.18)		1.0625-.1P-.2L-2A	0.036 (.912)	
19	1.432 (36.37)	1.191 (30.25)	1.900 (48.26)		1.1875-.1P-.2L-2A	0.040 (1.018)	
21	1.565 (39.75)	1.322 (33.58)	2.100 (53.34)		1.3125-.1p-.2L-2a	0.046 (1.170)	

Square Flange Rear Panel Mount, Panel Cutout				
	Shell Size	B BSC	Ø J	Ø R
	-02 FLANGE	5	.363 (9.22)	.096/.091 (2.44/2.31)
6		.423 (10.74)	.390 (9.91)	
7		.483 (12.27)	.453 (11.51)	
8		.545 (13.84)	.515 (13.08)	
-02 FLANGE	9	.607 (15.42)	.130/.126 (3.30/3.20)	.578 (14.68)
	10	.670 (17.02)		.640 (16.26)
	11	.715 (18.16)		.703 (17.86)
	13	.812 (20.62)		.828 (21.03)
	16	.981 (24.92)		1.015 (25.78)
	17	1.060 (26.92)		1.078 (27.38)
	19	1.191 (30.25)		1.203 (30.56)
	21	1.322 (33.58)		1.328 (33.73)

Material / finish:

- Shell: CRES 304L / passivate or plate as required
- Contacts: alloy 52 / gold plate
- Seals: fluorosilicone / N.A.
- Insulators:
 - » Fused glass / N.A. (hermetic)
 - » Rigid dielectric / N.A. (socket insulator)
- Sockets:
 - » Copper alloy / gold plate (contact)
 - » CRES / passivated (hood)

Dimensions in Inches (millimeters) are subject to change without notice.



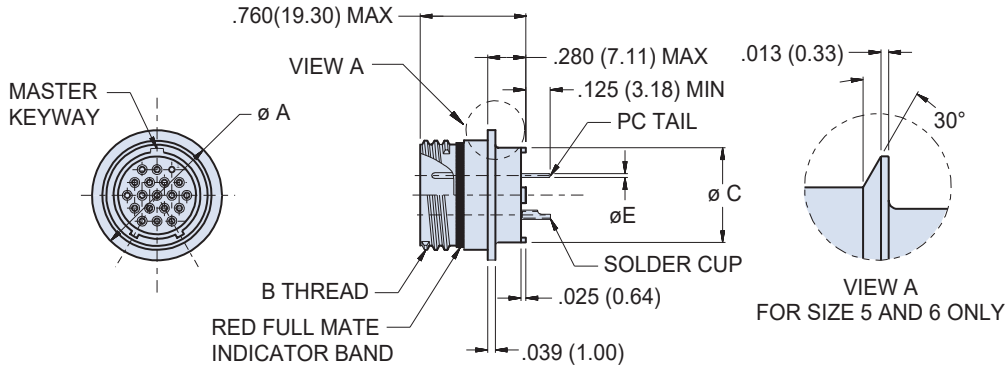
Series 801 Mighty Mouse Double-Start ACME Thread Hermetic Receptacle, Solder Cup or PC Tail

801-012 Shell Style -03 and -13 Dimensions

Solder Mount receptacle - shell style 03

Material / finish:

- Shell: CRES 304L / passivate or plate as required
- Contacts: alloy 52 / gold plate
- Seals: fluorosilicone / N.A.
- Insulators:
 - » Fused glass / N.A. (hermetic)
 - » Rigid dielectric / N.A. (socket insulator)
- Sockets:
 - » Copper alloy / gold plate (contact)
 - » CRES / passivated (hood)

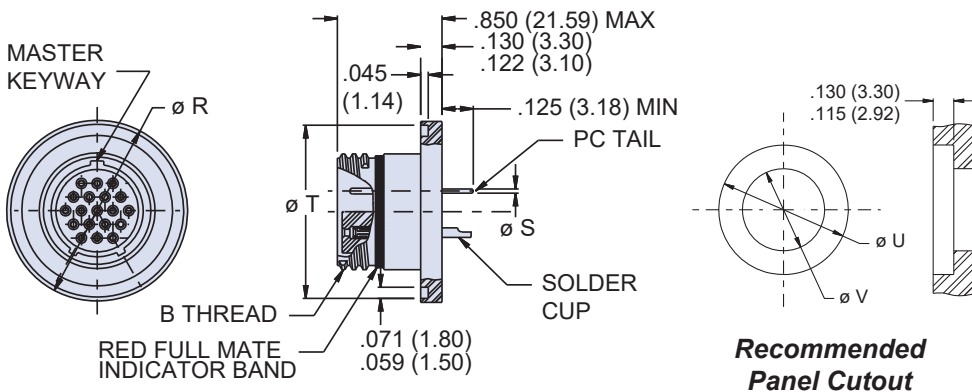


Dimensions								
Shell Size	Ø A	B Thread	Ø C	Shell Size	Ø A	B Thread	Ø C	Ø E Tail Dia.
5	.395 (10.03)	.3125-.05P-.1L-2A	.244 (6.20)	11	.770 (19.56)	.6875-.05P-.1L-2A	.662 (16.81)	#23 #16
6	.455 (11.56)	.375-.05P-.1L-2A	.330 (8.38)	13	.895 (22.73)	.8125-.1P-.2L-2A	.703 (17.86)	.018/.022 .060/.064
7	.520 (13.21)	.4375-.05P-.1L-2A	.432 (10.97)	16	1.080 (27.43)	1.000-.1P-.2L-2A	.863 (21.92)	(0.46/0.56) (1.52/1.63)
8	.580 (14.73)	.5000-.05P-.1L-2A	.493 (12.52)	17	1.145 (29.08)	1.062-.1P-.2L-2A	.912 (23.16)	#20 #12
9	.645 (16.38)	.5625-.05P-.1L-2A	.551 (14.00)	19	1.270 (32.26)	1.1875-.1p-.2L-2A	1.018 (25.86)	.024/.028 .092/.096
10	.705 (17.91)	.6250-.05P-.1L-2A	.620 (15.75)	21	1.395 (35.43)	1.3125-.1p-.2L-2A	1.170 (29.72)	(0.61/0.71) (2.34/2.44)

Weld Mount receptacle - shell style 13

Material / finish:

- Shell: CRES 304L / passivate or plate as required
- Contacts: alloy 52 / gold plate
- Seals: fluorosilicone / N.A.
- Insulators:
 - » Fused glass / N.A. (hermetic)
 - » Rigid dielectric / N.A. (socket insulator)
- Sockets:
 - » Copper alloy / gold plate (contact)
 - » CRES / passivated (hood)



Dimensions												
Shell Size	B Thread	Ø R ±.002	Ø T	Ø U	Ø V	Shell Size	B Thread	Ø R ±.002	Ø T	Ø U	Ø V	Ø S
5	.3125-.05P-.1L-2A	0.600 (15.24)	0.555 (14.10)	.606 (15.39)	.180 (4.57)	11	.6875-.05P-.1L-2A	1.062 (26.97)	1.019 (25.88)	1.068 (27.13)	.580 (14.73)	#23
6	.3750-.05P-.1L-2A	0.665 (16.89)	0.620 (15.75)	.671 (17.04)	.240 (8.38)	13	.8125-.1P-.2L-2A	1.162 (29.51)	1.119 (28.42)	1.168 (29.67)	.610 (15.49)	.018/.022 (0.46/0.56)
7	.4375-.05P-.1L-2A	0.730 (18.54)	0.685 (17.40)	.736 (18.69)	.330 (6.10)	16	1.0000-.1P-.2L-2A	1.288 (32.72)	1.245 (31.62)	1.294 (32.87)	.775 (19.69)	#20
8	.5000-.05P-.1L-2A	0.788 (20.02)	0.745 (18.92)	.794 (20.17)	.390 (9.91)	17	1.0625-.1P-.2L-2A	1.360 (34.54)	1.315 (33.40)	1.366 (34.70)	.825 (20.96)	.024/.028 (0.61/0.71)
9	.5625-.05P-.1L-2A	0.912 (23.16)	0.869 (22.07)	.918 (23.32)	.455 (11.56)	19	1.1875-.1P-.2L-2A	1.495 (37.97)	1.452 (36.88)	1.501 (38.13)	.930 (23.62)	#16
10	.6250-.05P-.1L-2A	0.975 (24.77)	0.933 (23.70)	.981 (24.92)	.520 (13.21)	21	1.3125-.1P-.2L-2A	1.625 (41.28)	1.580 (40.13)	1.631 (41.43)	1.080 (27.43)	.060/.064 (1.52/1.63)
												#12
												.092/.096 (2.34/2.44)

Dimensions in Inches (millimeters) are subject to change without notice.

Series 801 Mighty Mouse Double-Start ACME Thread Board Mount Hermetic Receptacle with PC Tails

801-126 Ordering Information



Series 801

Series 801 Hermetic Receptacles feature double-start, modified stub, ACME mating thread for improved protection against cross-mating and thread damage. Stainless steel shells provide excellent corrosion resistance while fluorosilicone seals and o-rings offer improved immunity to harsh chemicals. Hermeticity leak rate of less than 1×10^{-7} ccHe/second at 1

atmosphere delta pressure. Square flange and jam-nut shell styles available. Integral standoffs for solder washout and threaded PCB mounting holes for rugged environments where high vibration and shock is a concern. PC tail contacts allow for attachment to flex or rigid circuit boards. Contacts are nickel alloy and gold plated.

How To Order	
Sample Part Number	801-126 -07 Z1 7-10 P A -50
Series	801-126 = Hermetic Receptacles
Shell Style (See Table I)	-02 = Square Flange -07 = Jam-Nut, Rear Panel Mount
Material and Finish	Z1 = Stainless Steel / Passivated RoHS Compliant ZL = Stainless Steel / Nickel Plated
Shell Size - Insert Arrangement	See Contact Arrangements page D-3
Contact Type	C = Pin, PC Tail D = Socket, PC Tail
Polarization (See Table II)	A = Normal B = Pos. B C = Pos. C D = Pos. D E = Pos. E F = Pos. F G = Pos. G H = Pos. H J = Pos. J
Nominal Impedance	50 = 50 OHM (#12 & 16) 75 = 75 OHM (#12 ONLY)

Table I: Shell Style	
Style -02 Square Flange	Style -07 Jam-Nut

Table II: Keyway Positions		
Position	A°	B°
A	150°	210°
B	75°	210°
C	95°	230°
D	140°	275°
E	75°	275°
F	95°	210°

DWV Rating	
Contact Sizes	Test Voltage
23	750 Vac
20 HD	1000 Vac
20, 16, 12, 8	1800 Vac
16 CO-AX**	800 Vac
12 CO-AX**	1000 Vac
**Inner contact to outer contact	

NOTES

- Hermeticity: is less than 1×10^{-7} cc/sec at one atmosphere
- DWV: per table III
- Insulation resistance: 5000 megohms min at 500 VDC
- Receptacle mates with all Glenair 801 style plug connectors with same size, polarization, and opposite contact gender
- Combo arrangements are available with #16 and #12 contacts only, all #16 or #12 contacts will be co-ax.
- See Section B for PCB footprints

Dimensions in Inches (millimeters) are subject to change without notice.



Series 801 Mighty Mouse Double-Start ACME Thread Board Mount Hermetic Receptacle with PC Tails

801-126 Shell Style -02 Dimensions

Square flange mount receptacle - shell style 02

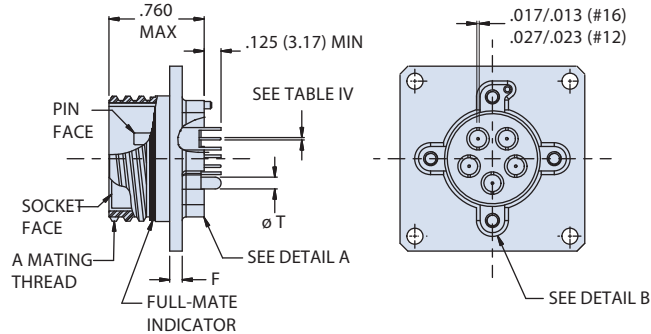
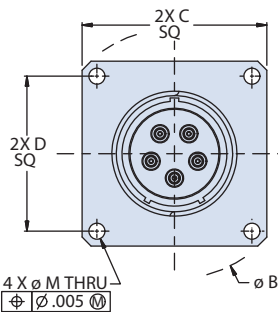
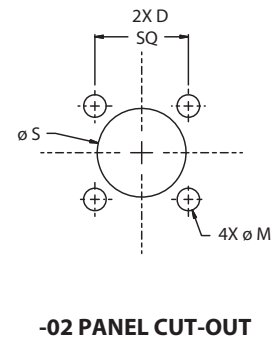
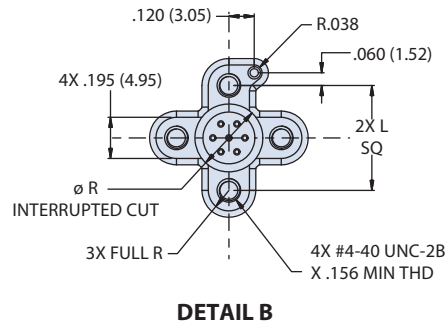
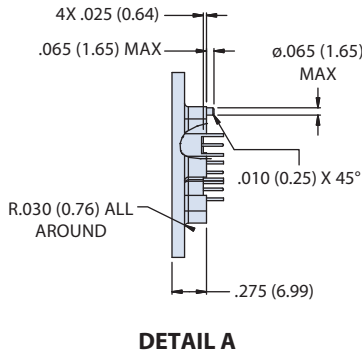


Table IV: PC Tail Diameter	
Cont. Size	Tail Dia
16	.017 (0.43)
	.013 (0.33)
12	.022 (0.56)
	.018 (0.46)



Dimensions

Shell Sizes	A Thread Mating	Ø B Flange	C Sq Typ Flange Flats	D Sq Bsc Mounting Holes	F Max Flange	L Board Mounting	Ø M Thru Mtg Holes	Ø S Thru ±.005 (.13)
6	.3750-.05P-.1L-DS-2A	1.150 (29.21)	.850 (21.59)	.660 (16.76)	.100 (2.54)	.440 (11.18)	.096 (2.44) .091 (2.31)	.328 (8.33)
7	.4375-.05P-.1L-DS-2A	1.230 (31.24)	.913 (23.19)	.723 (18.36)	.100 (2.54)	.515 (13.08)		.390 (9.91)
8	.5000-.05P-.1L-DS-2A	1.330 (33.78)	.975 (24.76)	.785 (19.94)	.100 (2.54)	.580 (14.73)	.130 (3.30) .126 (3.20)	.453 (11.51)
9	.5625-.05P-.1L-DS-2A	1.410 (35.81)	1.040 (26.42)	.848 (21.54)	.100 (2.54)	.646 (16.41)		.515 (13.08)
10	.6250-.05P-.1L-DS-2A	1.500 (38.10)	1.099 (27.91)	.909 (23.09)	.100 (2.54)	.734 (18.64)	.130 (3.30) .126 (3.20)	.578 (14.68)
11	.6875-.05P-.1L-DS-2A	1.590 (40.39)	1.163 (29.54)	.973 (24.71)	.100 (2.54)	.788 (20.02)		.640 (16.26)
13	.8125-.1P-.2L-DS-2A	1.750 (44.45)	1.288 (32.72)	1.058 (26.87)	.100 (2.54)	.830 (21.08)	.130 (3.30) .126 (3.20)	.703 (17.86)
16	1.0000-.1P-.2L-DS-2A	2.000 (50.80)	1.475 (37.47)	1.255 (31.88)	.100 (2.54)	.896 (22.76)		.828 (21.03)
17	1.0625-.1P-.2L-DS-2A	2.094 (53.19)	1.537 (39.04)	1.327 (33.71)	.125 (3.18)	1.059 (26.90)	.130 (3.30) .126 (3.20)	1.015 (25.78)
19	1.1875-.1P-.2L-DS-2A	2.270 (57.66)	1.663 (42.24)	1.452 (36.88)	0.125 (3.18)	1.156 (29.36)		1.078 (27.38)
21	1.3125-.1P-.2L-DS-2A	2.440 (61.98)	1.787 (45.39)	1.576 (40.03)	0.125 (3.18)	1.284 (32.61)	.130 (3.30) .126 (3.20)	1.203 (30.56)

Material / finish

- Shell: CRES / per how to order table
- Contacts, hermetic: Nickel alloy / gold plate
- Contacts, sockets: copper alloy / gold plate
- Hoods, sockets: 305 CRES / Passivate
- Insulator, hermetic: full glass / N.A.
- Insulator, socket: high-grade dielectric / N.A.
- Seals, o-ring: fluorosilicone blend / N.A.

Dimensions in Inches (millimeters) are subject to change without notice.

Series 801 Mighty Mouse Double-Start ACME Thread Board Mount Hermetic Receptacle with PC Tails

801-126 Ordering Information



Series 801

Jam-nut mount receptacle - shell style 07

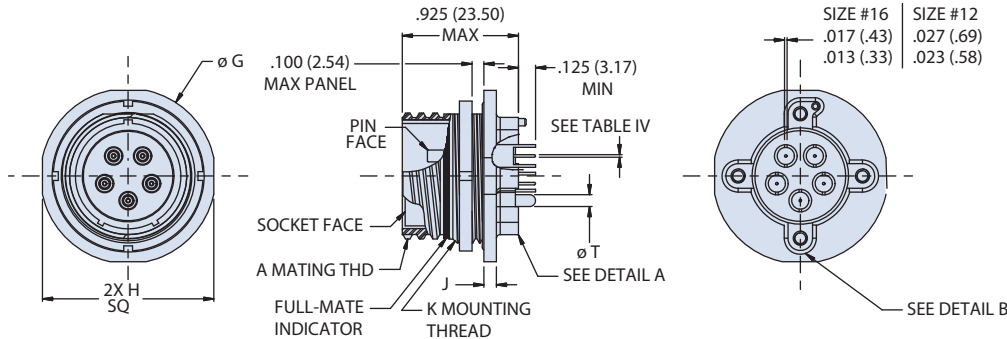
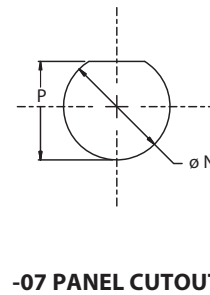
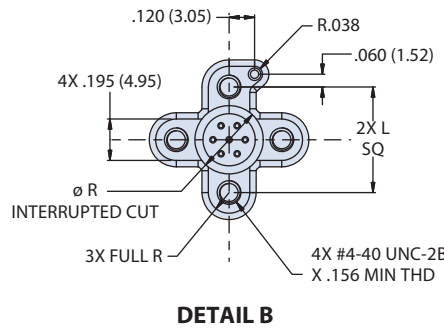
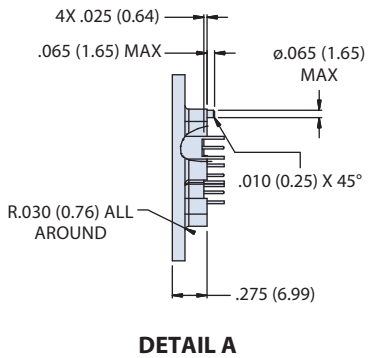


Table IV: PC Tail Diameter	
Cont. Size	Tail Dia
16	.017 (0.43)
	.013 (0.33)
12	.022 (0.56)
	.018 (0.46)



Dimensions								
Shell Sizes	A Thread Mating	ϕG Flange	H Sq Flange Flats	J Max Flange	KThrd Mounting	L Board Mounting	P Flat +.004/-0.000	ϕN $\pm .005$
6	.3750-.05P-.1L-DS-2A	.760 (19.30)	.730 (18.54)	.100 (2.54)	.4375-28 UNEF-2A	.440 (11.18)	.414 (10.52)	.448 (11.38)
7	.4375-.05P-.1L-DS-2A	.880 (22.35)	.850 (21.59)	.100 (2.54)	.5625-28 UN-2A	.515 (13.08)	.540 (13.72)	.573 (14.55)
8	.5000-.05P-.1L-DS-2A	.925 (23.50)	.895 (22.73)	.100 (2.54)	.5625-28 UN-2A	.580 (14.73)	.540 (13.72)	.573 (14.55)
9	.5625-.05P-.1L-DS-2A	.955 (24.26)	.925 (23.50)	.100 (2.54)	.6250-28 UN-2A	.646 (16.41)	.600 (15.24)	.635 (16.13)
10	.6250-.05P-.1L-DS-2A	1.060 (26.92)	1.035 (26.29)	.100 (2.54)	.6875-28 UN-2A	.734 (18.64)	.664 (16.87)	.698 (17.73)
11	.6875-.05P-.1L-DS-2A	1.120 (28.45)	1.090 (27.69)	.100 (2.54)	.7500-28 UN-2A	.788 (20.02)	.724 (18.39)	.760 (19.30)
13	.8125-.1P-.2L-DS-2A	1.203 (30.56)	1.173 (29.79)	.100 (2.54)	.8750-28 UN-2A	.830 (21.08)	.849 (21.56)	.885 (22.48)
16	1.0000-.1P-.2L-DS-2A	1.389 (35.28)	1.359 (34.52)	.100 (2.54)	1.0625-20 UN-2A	.896 (22.76)	1.026 (26.06)	1.075 (27.30)
17	1.0625-.1P-.2L-DS-2A	1.450 (36.83)	1.420 (36.07)	.128 (3.25)	1.1250-28 UN-2A	1.059 (26.90)	1.100 (27.94)	1.135 (28.83)
19	1.1875-.1P-.2L-DS-2A	1.580 (40.13)	1.550 (39.37)	0.128 (3.25)	1.2500-28 UN-2A	1.156 (29.36)	1.231 (31.27)	1.260 (32.00)
21	1.3125-.1P-.2L-DS-2A	1.705 (43.31)	1.675 (42.55)	0.128 (3.25)	1.3750-28 UN-2A	1.284 (32.61)	1.349 (34.26)	1.385 (35.18)

Material / finish

- Shell, jam-nut: CRES / per how to order table
- Contacts, hermetic: Nickel alloy / gold plate
- Contacts, sockets: copper alloy / gold plate
- Hoods, sockets: 305 CRES / Passivate
- Insulator, hermetic: full glass / N.A.

- Insulator, socket: high-grade dielectric / N.A.
- Seals, o-ring: fluorosilicone blend / N.A.

Dimensions in Inches (millimeters) are subject to change without notice.



Series 801 Mighty Mouse Double-Start ACME Thread Hermetic Receptacle with Co-Ax Pin Contacts

801-059 Shell Style -02 Dimensions

Series 801 Quick Coupling Hermetic Receptacles feature a double-start modified stub ACME mating thread for improved protection against cross-mating and thread damage. Corrosion resistant stainless steel shells provide . Hermeticity is less than 1×10^{-7} cc/second helium leak rate. Three Shell styles available including solder mount, jam-nut or square flange. Integral standoffs for solder washout. Contacts are nickel-iron alloy and gold plated. Size #16 contacts up to 700 MHz, size 12 up to 3 GHz frequency range Cable adapters with crimp rings provided with each connector for reliable cable termination.

NOTES

- Performance test criteria:
 - Hermeticity: less than 1×10^{-7} sccHe/SEC @ 1 atmosphere differential
 - D.W.V.: 3500 Vac pin-to-pin and pin-to-shell with out breakdown
 - Insulation Resistance: 5000 megohms min @ 500 Vdc
- Each connector is supplied with sufficient cable adapters and crimp rings to terminate appropriate cable for insertion into contact rear. After cable is terminated and adapters inserted in contact rear, the rear of the connector must be potted to cover adapters
- Connector will mate with all quick-coupling plug connectors (8001-001, 801-00, 801-007, 801-008) having the same shell size, contact arrangement, and opposite contact gender (co-ax socket)
- Frequency range
Size 16: up to 700 MHz
Size 12: up to 3 GHz

How To Order

Sample Part Number	801-059	-03	Z1	16-5	P	A	-02
Series	801-059 = Hermetic Receptacle						
Shell Style (See Table I)	-02 = Square Flange, RPM -03 = Solder Mount -07 = Jam-Nut, RPM						
Shell Material and Finish*	Z1 = Stainless Steel / Passivated ZB = Stainless Steel / Olive Drab Chromate over Cadmium ZC = Stainless Steel / Zinc Cobalt Alloy/Black Chromate ZL = Stainless Steel / Nickel Plated						
Shell Size - Insert Arrangement	See Contact Arrangements page D-3						
Contact Type	P = Co-Ax Pin						
Polarization (See Table II)	A = Normal B = Pos. B C = Pos. C D = Pos. D E = Pos. E F = Pos. F						
Cable Attachment	Cables Accommodated: -01 = M17/113-RG316 -02 = M17/152-00001 (RG316DS) -03 = M17/93-RG178 -04 = RG-178 Double Shield per DSCC 06017 -05 = M17/94-RG179						

*Titanium and Inconel® shell materials available. Consult factory for information.

Table I: Shell Style

-07 Jam-Nut, Rear Panel Mount	-02 Square Flange	-03 Solder Mount

Table II: Keyway Positions

Key Position	A°	B°
A	150°	210°
B	75°	210°
C	95°	230°
D	140°	275°
E	75°	275°
F	95°	210°

Dimensions in Inches (millimeters) are subject to change without notice.

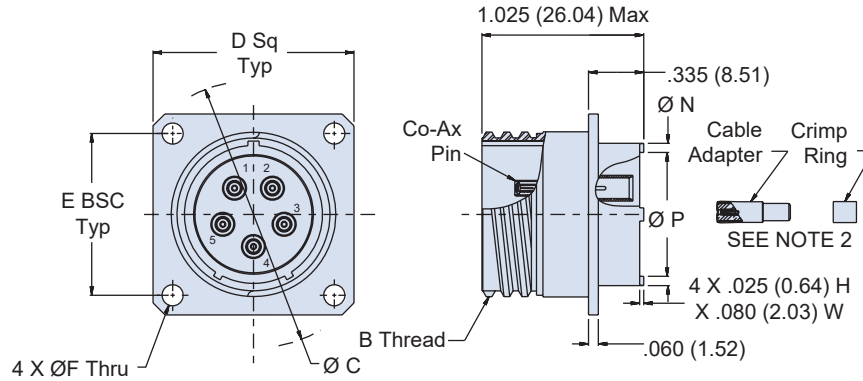
Series 801 Mighty Mouse Double-Start ACME Thread Hermetic Receptacle with Co-Ax Pin Contacts

801-059 Shell Style -02 Dimensions



Series 801

Square flange receptacle - shell style 02



Dimensions					
Shell Size	B Thread	Ø C	D Sq ±.003 (± 0.08)	Ø N	Ø P
6	.3750-.05P-.1L-2A	.750 (19.05)	.590 (14.99)	.330 (8.38)	.236 (5.99)
7	.4375-.05P-.1L-2A	.850 (21.59)	.650 (16.51)	.432 (10.97)	.324 (8.23)
8	.5000-.05P-.1L-2A	.938 (23.83)	.712 (18.08)	.493 (12.52)	.390 (9.91)
9	.5625-.05P-.1L-2A	1.125 (28.58)	.850 (21.59)	.551 (14.00)	.444 (11.28)
10	.6250-.05P-.1L-2A	1.188 (30.18)	.890 (22.61)	.620 (15.75)	.520 (13.21)
11	.6875-.05P-.1L-2A	1.250 (31.75)	.935 (23.75)	.662 (16.81)	.557 (14.15)
13	.8125-.1P-.2L-2A	1.375 (34.92)	1.030 (26.16)	.703 (17.86)	.596 (15.14)
16	1.0000-.1P-.2L-2A	1.625 (41.28)	1.219 (30.96)	.863 (21.92)	.756 (19.20)
17	1.0625-.1p-.2l-2a	1.700 (43.18)	1.280 (32.51)	.912 (23.16)	.805 (20.45)
19	1.8750-.1p-.2l-2a	1.900 (48.26)	1.432 (36.37)	1.018 (25.86)	.910 (23.11)
21	1.3125-.1p-.2l-2a	2.100 (53.34)	1.565 (39.75)	1.170 (29.72)	1.061 (26.95)

Material / finish

- Shell, jam-nut: 304L CRES / passivated or plated
- Contacts, hermetic: Nickel alloy / gold plate
- Contacts, cable adapter: copper alloy / gold plate
- Insulator, hermetic: full glass / N.A.
- Insulator, Co-Ax: rigid dielectric / N.A.
- Seals, O-rings: fluorosilicone blend / N.A.

Square Flange Rear Panel Mount, Panel Cutout				
	Shell Size	Ø A	E BSC	Ø F
	6	.328 (8.33)	.423 (10.74)	.096 (2.44) .091 (2.31)
	7	.390 (9.91)	.483 (12.27)	
	8	.453 (11.51)	.545 (13.84)	
	9	.515 (13.08)	.607 (15.42)	.130 (3.30) .126 (3.20)
	10	.578 (14.68)	.670 (17.02)	
	11	.640 (16.26)	.715 (18.16)	
	13	.703 (17.86)	.812 (20.62)	
	16	.828 (21.03)	.981 (24.92)	
	17	1.015 (25.78)	1.060 (26.92)	
	19	1.078 (27.38)	1.191 (30.25)	
21	1.203 (30.56)	1.322 (33.58)		

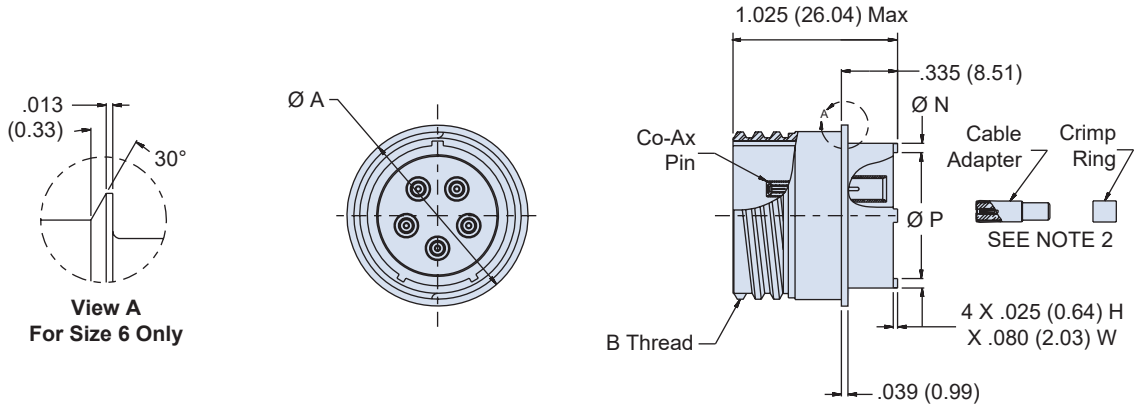
Dimensions in Inches (millimeters) are subject to change without notice.



Series 801 Mighty Mouse Double-Start ACME Thread Hermetic Receptacle with Co-Ax Pin Contacts

801-059 Shell Style -03 Dimensions

Solder mount receptacle - shell style 03



Dimensions				
Shell Size	Ø A	B Thread	Ø N	Ø M Panel Cutout
6	.455 (11.56)	.3750-.05P-.1L-2A	.330 (8.38)	.448 (11.38)
7	.520 (13.21)	.4375-.05P-.1L-2A	.432 (10.97)	.573 (14.55)
8	.580 (14.73)	.5000-.05P-.1L-2A	.493 (12.52)	.573 (14.55)
9	.645 (16.38)	.5625-.05P-.1L-2A	.551 (14.00)	.635 (16.13)
10	.705 (17.91)	.6250-.05P-.1L-2A	.620 (15.75)	.698 (17.73)
11	.770 (19.56)	.6875-.05P-.1L-2A	.662 (16.81)	.760 (19.30)
13	.895 (22.73)	.8125-.1P-.2L-2A	.703 (17.86)	.885 (22.48)
16	1.080 (27.43)	1.0000-.1P-.2L-2A	.863 (21.92)	1.075 (27.30)
17	1.145 (29.08)	1.0625-.1p-.2L-2a	.912 (23.16)	1.135 (28.83)
19	1.283 (32.59)	1.8750-.1p-.2L-2a	1.018 (25.86)	1.260 (32.00)
21	1.415 (35.94)	1.3125-.1p-.2L-2a	1.170 (29.72)	1.385 (35.18)

Material / finish

- Shell: stainless steel / passivated or plated
- Contacts, hermetic: Nickel alloy / gold plate
- Contacts, cable adapter: copper alloy / gold plate
- Insulator, hermetic: full glass / N.A.
- Insulator, co-ax: rigid dielectric / N.A.
- Seals, O-rings: fluorosilicone blend / N.A

Dimensions in Inches (millimeters) are subject to change without notice.

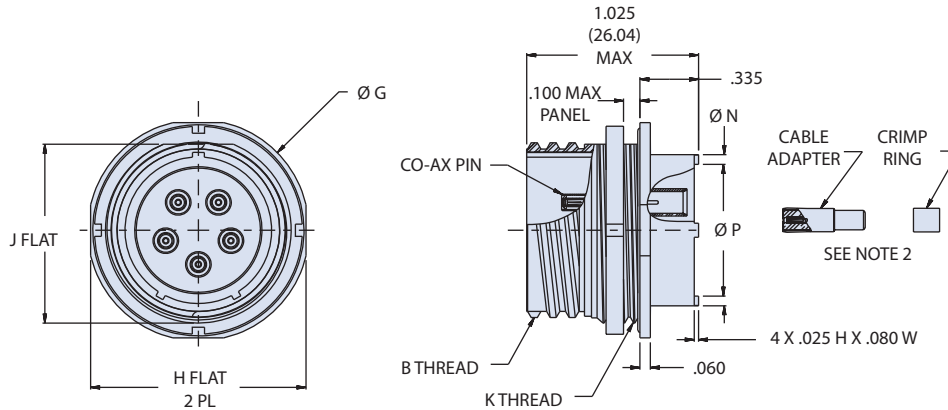
Series 801 Mighty Mouse Double-Start ACME Thread Hermetic Receptacle with Co-Ax Pin Contacts

801-059 Shell Style -07 Dimensions



Series 801

Jam-nut receptacle - shell style 07

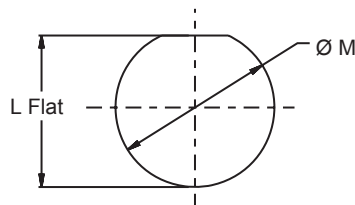


Dimensions							
Shell Size	Ø A	J Flat	H Flat	B Thread	K Thread	Ø N	Ø P
6	.455 (11.56)	.410 (10.41)	.595 (15.11)	.3750-.05P-.1L-2A	.4375-28 UNEF-2A	.330 (8.38)	.236 (5.99)
7	.520 (13.21)	.536 (13.61)	.723 (18.36)	.4375-.05P-.1L-2A	.5625-32 UN-2A	.432 (10.97)	.324 (8.23)
8	.580 (14.73)	.536 (13.61)	.723 (18.36)	.5000-.05P-.1L-2A	.5625-32 UN-2A	.493 (12.52)	.390 (9.91)
9	.645 (16.38)	.596 (15.14)	.790 (20.07)	.5625-.05P-.1L-2A	.6250-28 UN-2A	.551 (14.00)	.444 (11.28)
10	.705 (17.91)	.658 (16.71)	.855 (21.72)	.6250-.05P-.1L-2A	.6875-28 UN-2A	.620 (15.75)	.520 (13.21)
11	.770 (19.56)	.718 (18.24)	.925 (23.50)	.6875-.05P-.1L-2A	.7500-28 UN-2A	.662 (16.81)	.557 (14.15)
13	.895 (22.73)	.845 (21.46)	1.044 (26.52)	.8125-.1P-.2L-2A	.8750-28 UN-2A	.703 (17.86)	.596 (15.14)
16	1.080 (27.43)	1.022 (25.96)	1.230 (31.24)	1.0000-.1P-.2L-2A	1.0625-20 UN-2A	.863 (21.92)	.756 (19.20)
17	1.145 (29.08)	1.096 (27.84)	1.290 (32.77)	1.0625-.1p-.2L-2a	1.1250-28 UN-2A	.912 (23.16)	.805 (20.45)
19	1.283 (32.59)	1.225 (31.12)	1.415 (35.94)	1.8750-.1p-.2L-2a	1.2500-28 UN-2A	1.018 (25.86)	.910 (23.11)
21	1.415 (35.94)	1.346 (34.19)	1.577 (40.06)	1.3125-.1p-.2L-2a	1.3750-28 UN-2A	1.170 (29.72)	1.061 (26.95)

Material / finish

- Shell, jam-nut: stainless steel / passivated or plated
- Contacts, hermetic: Nickel alloy / gold plate
- Contacts, cable adapter: copper alloy / gold plate
- Insulator, hermetic: full glass / N.A.
- Insulator, co-ax: rigid dielectric / N.A.
- Seals, O-rings: fluorosilicone blend / N.A

Jam-Nut Rear Panel Mount Panel Cutout			
Shell Size	L Flat		Ø M
	+ .004 (.10)	- .000 (.00)	+ .005 (.13)
5	.354 (8.99)		.380 (9.65)
6	.414 (10.52)		.443 (11.25)
7	.540 (13.72)		.567 (14.40)
8	.540 (13.72)		.567 (14.40)
9	.600 (15.24)		.630 (16.00)
10	.662 (16.81)		.693 (17.60)
11	.724 (18.39)		.760 (19.30)
13	.849 (21.56)		.880 (22.35)
16	1.026 (26.06)		1.067 (27.10)
17	1.100 (27.94)		1.130 (28.70)
19	1.231 (31.27)		1.255 (31.88)
21	1.350 (34.29)		1.380 (35.05)



Recommended Panel Cutout Shell Style -07

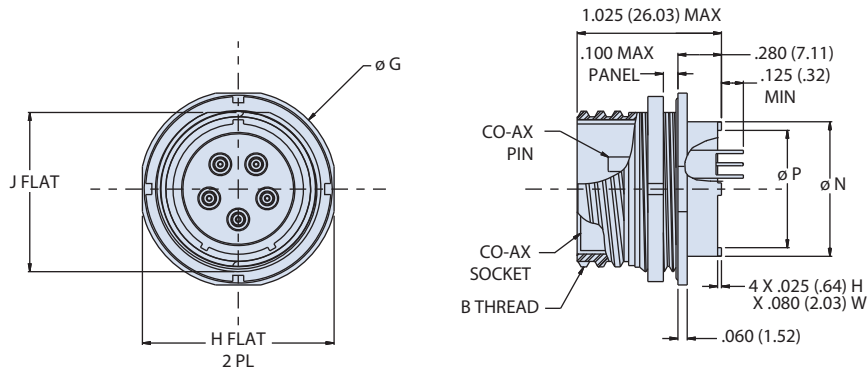
Dimensions in Inches (millimeters) are subject to change without notice.

Series 801 Mighty Mouse Double-Start ACME Thread
Hermetic PCB Receptacle with Co-Ax Contacts
801-124 Dimensions

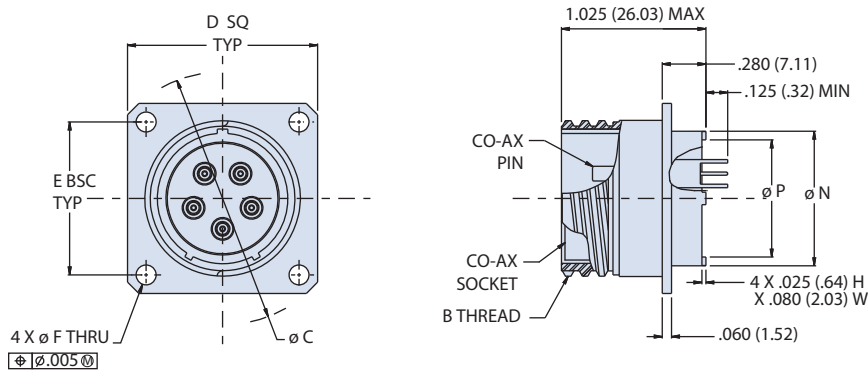


Series 801

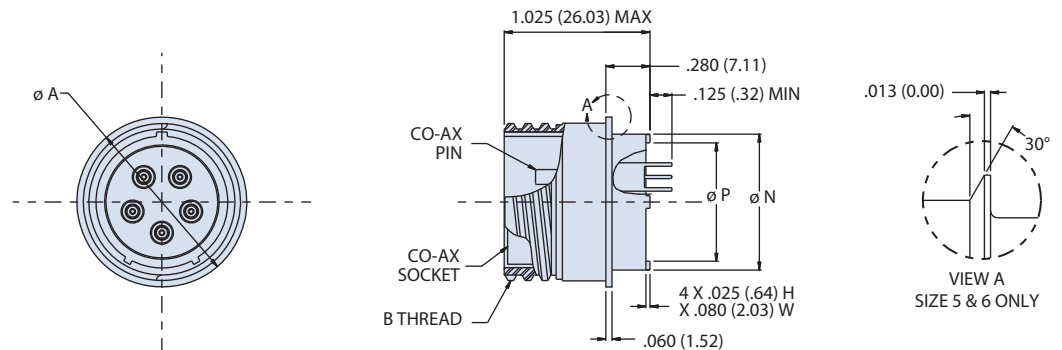
Jam-nut, rear panel mount receptacle - shell style 07



Square flange, front or rear panel mount, thru-hole receptacle - shell style 02



Solder mount mount receptacle - shell style 03



Dimensions in Inches (millimeters) are subject to change without notice.



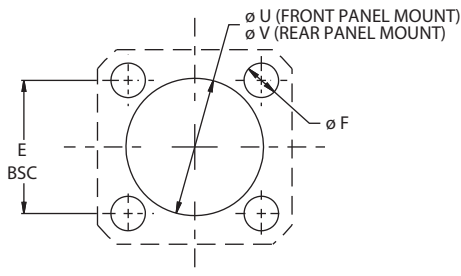
Series 801 Mighty Mouse Double-Start ACME Thread Hermetic PCB Receptacle with Co-Ax Contacts

801-124 Dimensions

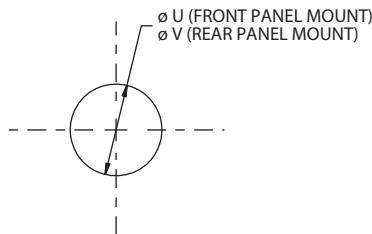
Dimensions											
Shell Size	Ø A	B Thread	Ø C	D SQ	E BSC	F Holes	Ø G	H Flat	J Flat	Ø N	Ø P
5	.395 (10.03)	.3125-.05P-.1L-2A	.680 (17.27)	.530 (13.46)	.363 (9.22)	.096 (2.44) .091 (2.31)	.575 (14.60)	.545 (13.84)	.350 (8.89)	.244 (6.20)	.197 (5.00)
6	.455 (11.56)	.3750-.05P-.1L-2A	.750 (19.05)	.590 (14.99)	.423 (10.74)		.635 (16.13)	.595 (15.11)	.410 (10.41)	.330 (8.38)	.236 (5.99)
7	.520 (13.21)	.4375-.05P-.1L-2A	.850 (21.59)	.650 (16.51)	.483 (12.27)		.755 (19.18)	.723 (18.36)	.536 (13.61)	.432 (10.97)	.324 (8.23)
8	.580 (14.73)	.5000-.05P-.1L-2A	.938 (23.83)	.712 (18.08)	.545 (13.84)		.755 (19.18)	.723 (18.36)	.536 (13.61)	.493 (12.52)	.390 (9.91)
9	.645 (16.38)	.5625-.05P-.1L-2A	1.125 (28.58)	.850 (21.59)	.607 (15.42)		.830 (21.08)	.790 (20.07)	.596 (15.14)	.551 (14.00)	.444 (11.28)
10	.705 (17.91)	.6250-.05P-.1L-2A	1.188 (30.18)	.890 (22.61)	.670 (17.02)		.890 (22.61)	.855 (21.72)	.658 (16.71)	.620 (15.75)	.520 (13.21)
11	.770 (19.56)	.6875-.05P-.1L-2A	1.250 (31.75)	.935 (23.75)	.715 (18.16)	.960 (24.38)	.925 (23.50)	.718 (18.24)	.662 (16.81)	.557 (14.15)	
13	.895 (22.73)	.8125-.1P-.2L-2A	1.375 (34.92)	1.030 (26.16)	.812 (20.62)	1.078 (27.38)	1.044 (26.52)	.845 (21.46)	.703 (17.86)	.596 (15.14)	
16	1.080 (27.43)	1.0000-.1P-.2L-2A	1.625 (41.28)	1.219 (30.96)	.981 (24.92)	1.265 (32.13)	1.230 (31.24)	1.022 (25.96)	.863 (21.92)	.756 (19.20)	
17	1.145 (29.08)	1.0625-.1P-.2L-2A	1.700 (43.18)	1.280 (32.51)	1.060 (26.92)	1.325 (33.65)	1.290 (32.77)	1.096 (27.84)	.912 (23.16)	.805 (20.45)	
19	1.270 (32.26)	1.1875-.1P-.2L-2A	1.900 (48.26)	1.432 (36.37)	1.191 (30.25)	1.450 (36.83)	1.415 (35.94)	1.225 (31.12)	1.018 (25.86)	.910 (23.11)	
21	1.415 (35.94)	1.3125-.1P-.2L-2A	2.100 (53.34)	1.565 (39.75)	1.322 (33.58)	1.625 (41.28)	1.577 (40.06)	1.346 (34.19)	1.170 (29.72)	1.061 (26.95)	

Panel Cut-outs

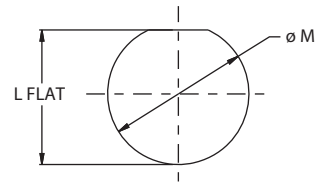
D



RECOMMENDED PANEL CUTOUT SHELL STYLE -02



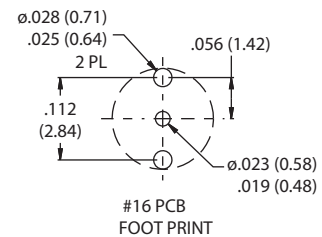
RECOMMENDED PANEL CUTOUT SHELL STYLE -03



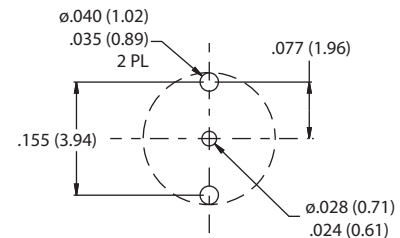
RECOMMENDED PANEL CUTOUT SHELL STYLE -07

Panel Cutout Dimensions						
Shell Size	E BSC	Ø F	Ø U ±.005 (.13)	Ø V ±.005 (.13)	L Flat +.004 (.10) -0.000 (.00)	Ø M +.005 (.13) -0.000 (.00)
5	.363 (9.22)	.096 (2.44) .091 (2.31)	.275 (6.99)	.328 (8.33)	.354 (8.99)	.380 (9.65)
6	.423 (10.74)		.365 (9.27)	.390 (9.91)	.414 (10.52)	.443 (11.25)
7	.483 (12.27)		.465 (11.81)	.453 (11.51)	.540 (13.72)	.567 (14.40)
8	.545 (13.84)		.525 (13.34)	.515 (13.08)	.540 (13.72)	.567 (14.40)
9	.607 (15.42)		.585 (14.86)	.578 (14.68)	.600 (15.24)	.630 (16.00)
10	.670 (17.02)		.655 (16.64)	.640 (16.26)	.662 (16.81)	.693 (17.60)
11	.715 (18.16)	.695 (17.65)	.703 (17.86)	.724 (18.39)	.755 (19.18)	
13	.812 (20.62)	.130 (3.30) .126 (3.20)	.735 (18.67)	.828 (21.03)	.849 (21.56)	.880 (22.35)
16	.981 (24.92)		.895 (22.73)	1.015 (25.78)	1.026 (26.06)	1.067 (27.10)
17	1.060 (26.92)		.945 (24.00)	1.078 (27.38)	1.100 (27.94)	1.130 (28.70)
19	1.191 (30.25)		1.050 (26.67)	1.203 (30.56)	1.231 (31.27)	1.255 (31.88)
21	1.322 (33.58)		1.205 (30.61)	1.328 (33.73)	1.350 (34.29)	1.380 (35.05)

PCB Footprints



#16 PCB FOOT PRINT



#12 PCB FOOT PRINT

Dimensions in Inches (millimeters) are subject to change without notice.

Series 801 Mighty Mouse Double-Start ACME Thread Bulkhead Feed-Thru Connector

801-074 Ordering Information



Series 801



Series 801 Bulkhead Feed-Thru Receptacle provides a separable hermetic connection on both sides of a mounting panel. Available in shell sizes 5 to 21 and mates with all high density plug connectors with the same polarization and opposite contact genders. Copper alloy gold-plated contacts, pin to pin, pin to socket or socket to socket. Your choice of standard aluminum alloy or stainless steel and seven standard finishes (see below). Please contact the factory for other materials and finishes.

How To Order	
Sample Part Number	801-074 -07 M 6-7 P P A
Series	801-074 = Feed-Thru Receptacle
Shell Style	-07 = Jam-Nut
Material and Finish	M = Aluminum / Electroless Nickel RoHS Compliant MT = Aluminum / Nickel-PTFE RoHS Compliant NF = Aluminum / Cadmium with Olive Drab Chromate ZNU = Aluminum / Zinc-Nickel with Black Chromate Z1 = Stainless Steel / Passivated RoHS Compliant
Shell Size - Insert Arrangement	See Contact Arrangements page D-3
Contact Type Jam-Nut Side	P = Pin S = Socket Connectors with PP and SS contact styles will cause the arrangement pattern to be mirrored about the vertical centerline
Contact Type Other Side	P = Pin S = Socket
Polarization (See Table I)	A = Normal B = Pos. B C = Pos. C D = Pos. D E = Pos. E F = Pos.

Table I: Keyway Positions

Key Position	A°	B°
A	150°	210°
B	75°	210°
C	95°	230°
D	140°	275°
E	75°	275°
F	95°	210°

NOTES

1. Receptacle connector mates with all quick coupling high-density plug connectors with same polarization and opposite contact gender
2. Connectors with PP and SS contact styles will cause the arrangement pattern to be mirrored about the vertical centerline

Material/Finish

- Shell, jam-nut: aluminum alloy or CRES
- Contact: copper alloy / gold plate per ASTM B 488, type II, code C
- Insulators: liquid crystal polymer / N.A.
- Interfacial seal, O-ring, peripheral seal: Fluorosilicone / N.A.
- Class 1.25 (.000050 minimum thickness), over a suitable underplate

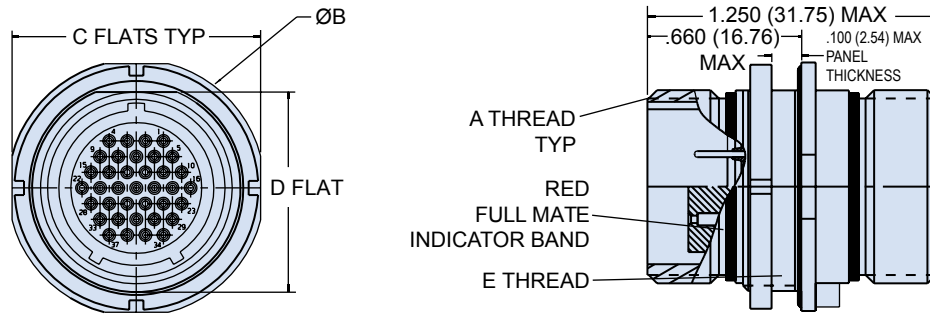
Dimensions in Inches (millimeters) are subject to change without notice.

D

Series 801 Mighty Mouse Double-Start ACME Thread Bulkhead Feed-Thru Connector

801-074 Dimensions

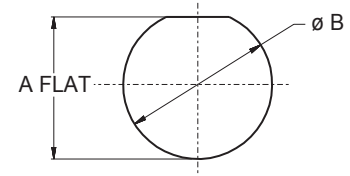
Jam-nut mount receptacle - shell style 07



Dimensions

Shell Size	A Thread	E Thread	Ø B	C Flat	D Flat
5	.3125-.05P-.1L-2A	.3750-28 UN-2A	.575 (14.60)	.545 (13.84)	.350 (8.89)
6	.3750-.05P-.1L-2A	.4375-28 UNEF-2A	.635 (16.13)	.595 (15.11)	.410 (10.41)
7	.4375-.05P-.1L-2A	.5625-32 UN-2A	.755 (19.18)	.723 (18.36)	.536 (13.61)
8	.5000-.05P-.1L-2A	.5625-32 UN-2A	.755 (19.18)	.723 (18.36)	.536 (13.61)
9	.5625-.05P-.1L-2A	.6250-28 UN-2A	.830 (21.08)	.790 (20.07)	.596 (15.14)
10	.6250-.05P-.1L-2A	.6875-28 UN-2A	.890 (22.61)	.855 (21.72)	.658 (16.71)
11	.6875-.05P-.1L-2A	.7500-28 UN-2A	.960 (24.38)	.925 (23.50)	.718 (18.24)
13	.8125-.1P-.1L-2A	.8750-28 UN-2A	1.078 (27.38)	1.044 (26.52)	.845 (21.46)
16	1.0000-.1P-.1L-2A	1.0625-20 UN-2A	1.264 (32.11)	1.230 (31.24)	1.022 (25.96)
17	1.0625-.1P-.1L-2A	1.1250-28 UN-2A	1.325 (33.65)	1.290 (32.77)	1.096 (27.84)
19	1.0625-.1P-.1L-2A	1.2500-28 UN-2A	1.450 (36.83)	1.415 (35.94)	1.227 (31.17)
21	1.3125-.1P-.1L-2A	1.3750-28 UN-2A	1.625 (41.28)	1.577 (40.06)	1.347 (34.21)

Series 801 Jam-Nut Panel Cutout



Shell Size	A Flat ± .002 (.05)	Ø B +.005 (.13) -.000 (.00)
5	.356 (9.04)	.380 (9.65)
6	.416 (10.57)	.443 (11.25)
7	.542 (13.77)	.567 (14.40)
8	.542 (13.77)	.567 (14.40)
9	.602 (15.29)	.630 (16.00)
10	.664 (16.87)	.693 (17.60)
11	.726 (18.44)	.755 (19.18)
13	.851 (21.62)	.880 (22.35)
16	1.028 (26.11)	1.067 (27.10)
17	1.102 (27.99)	1.130 (28.70)
19	1.233 (31.32)	1.255 (31.88)
21	1.352 (34.34)	1.380 (35.05)

Dimensions in Inches (millimeters) are subject to change without notice.

Series 801 Mighty Mouse Double-Start ACME Thread Hermetic Bulkhead Feed-thru Connector

801-121 How to Order



Series 801



Series 801 Hermetic Feed-thru connectors feature gold plated nickel-iron alloy contacts and compression glass dielectric material. 304L series stainless steel connector shell provides excellent corrosion protection and is suitable for e-beam welding. fluorosilicone blend, seal and piston o-ring offer improved resistance to harsh chemicals. Hermeticity less than 1×10^{-7} sccHe/second at one atmosphere. Square flange and rear panel mount jam-nut shell styles available.

How To Order								
Sample Part Number	801-121	-07	Z1	6-7	P	S	A	-01
Series	801-121 = Hermetic Feed-thru Connector							
Shell Style (See Table I)	-02 = Square Flange Mount -07 = Jam-Nut Rear Panel Mount							
Shell Material and Finish	Z1 = Stainless Steel / Passivated (RoHS) ZL = Stainless Steel / Nickel Plated							
Shell Size - Insert Arrangement	See Contact Arrangements page D-3							
Contact Type	Panel Side: P = Pin S = Socket Opposite Side: P = Pin S = Socket							
Polarization (See Table II)	A = Normal B = Pos. B C = Pos. C D = Pos. D E = Pos. E F = Pos. F							
Panel Accommodation	-01, -02, -03, -04; See Table III							

NOTES

- Performance testing criteria:
 - DWV: per DWV rating table
 - IR: 5000 megohms @ 500 VDC minimum
 - Hermeticity: $< 1 \times 10^{-7}$ sccHe/sec @ 1 atmosphere delta
- For pin-pin or socket-socket feedthru, power applied to one contact will result in power to the contact directly opposite regardless of contact identification.
- This connector mates with all quick-coupling high-density plug connectors having the same size, polarization, and opposite contact gender (801-001, 801-002, 801-007, 801-008)
- Additional finish option available, consult factory
- Overall lengths will increase by approximately .50" for #8 contact arrangements
- Standard arrangements with signal/power contacts only. Consult factory for special contacts (co-ax, quadax, thermocouples, etc.)

Table I: Shell Style	
-02 Square Flange	-07 Rear Panel Mount Jam-Nut

Table II: Keyway Positions		
Position	A°	B°
A	150°	210°
B	75°	210°
C	95°	230°
D	140°	275°
E	75°	275°
F	95°	210°

Table III: Panel Accommodation			
Code	K Dim, Panel	L Dim, OAL	M Dim, OAL
-01	.125 (3.18)/.062 (1.57)	1.030 (26.16)	1.280 (32.51)
-02	.250 (6.35)/.125 (3.18)	1.155 (29.34)	1.405 (35.69)
-03	.500 (12.70)/.250 (6.35)	1.405 (35.69)	1.655 (42.04)
-04	1.000 (25.40)/.500 (12.70)	1.950 (49.53)	2.175 (55.24)

DWV Rating	
Contact Sizes	Test Voltage
23	750 Vac
20 HD	1000 Vac
20, 16, 12, 8	1800 Vac

Material / finish

- Shell, jam-nut - 304L CRES / finish per how to order table
- Contacts, pin: Nickel-iron alloy / gold plate
- Contacts, sockets: copper alloy / gold plate
- Hoods, socket: 300 series CRES / Passivate
- Insulator, hermetic: full glass / N.A.
- Insulator, sockets: rigid dielectric / N.A.
- Seals, o-ring: fluorosilicone blend / N.A

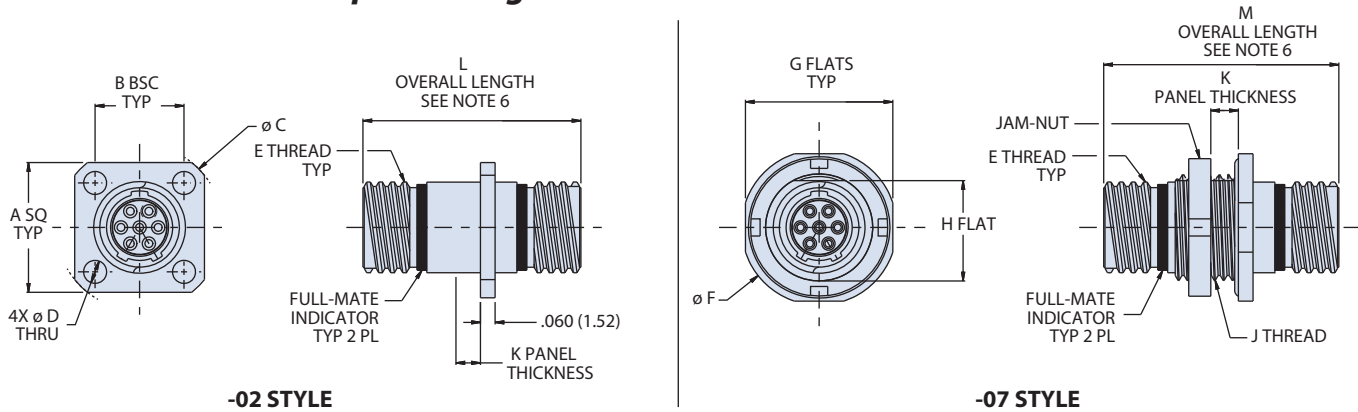
Dimensions in Inches (millimeters) are subject to change without notice.



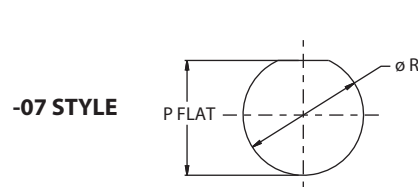
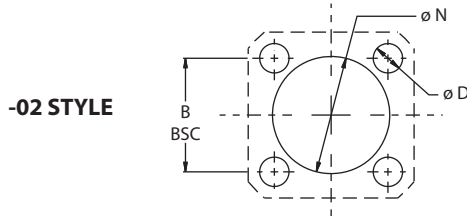
Series 801 Mighty Mouse Double-Start ACME Thread Hermetic Bulkhead Feed-thru Connector

801-121-02 and 801-121-07 Dimensions

Jam-nut mount and square flange mount bulkhead feed-thru connectors



RECOMMENDED PANEL CUTOUT



D

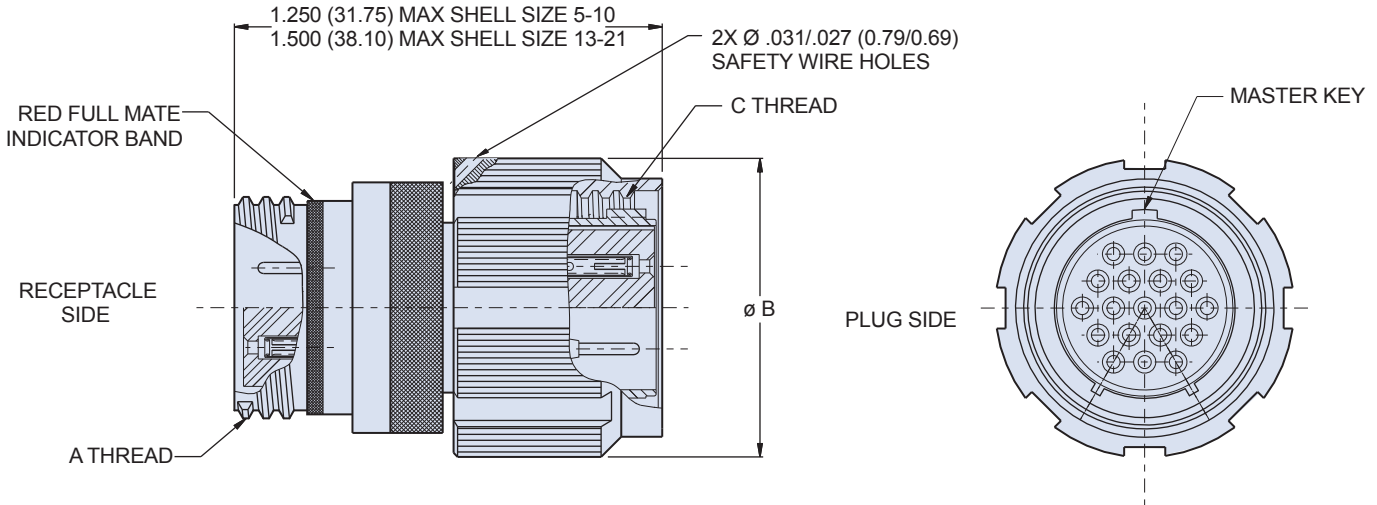
Dimensions													
Shell Size	A Sq.	B Bsc	Ø C	Ø D Thru Holes	E Thread	Ø F	G Flat	H Flat	J Thread	Ø N ±.005 (.13)	P Flat	Ø R	
5	.530 (13.46)	.363 (9.22)	.680 (17.27)	.096 (2.44)	.3125-.05P-.1L-2A	.575 (14.60)	.545 (13.84)	.350 (8.89)	.3750-28 UN-2A	.328 (8.33)	.358 (9.09) .354 (8.99)	.385 (9.78) .380 (9.65)	
6	.590 (14.99)	.423 (10.74)	.750 (19.05)		.3750-.05P-.1L-2A	.635 (16.13)	.595 (15.11)	.410 (10.41)	.4375-28 UNEF-2A	.390 (9.91)	.418 (1.62) .414 (1.52)	.448 (11.38) .443 (11.25)	
7	.650 (16.51)	.483 (12.27)	.850 (21.59)		.091 (2.31)	.4375-.05P-.1L-2A	.755 (19.18)	.723 (18.36)	.536 (13.61)	.5625-32 UN-2A	.453 (11.51)	.544 (13.82) .540 (13.72)	.572 (14.53) .567 (14.40)
8	.712 (18.08)	.545 (13.84)	.938 (23.83)			.5000-.05P-.1L-2A	.755 (19.18)	.723 (18.36)	.536 (13.61)	.5625-32 UN-2A	.515 (13.08)	.544 (13.82) .540 (13.72)	.572 (14.53) .567 (14.40)
9	.850 (21.59)	.607 (15.42)	1.125 (28.58)	.130 (3.30) .126 (3.20)	.5625-.05P-.1L-2A	.830 (21.08)	.790 (20.07)	.596 (15.14)	.6250-28 UN-2A	.578 (14.68)	.604 (15.34) .600 (15.24)	.635 (16.13) .630 (16.00)	
10	.890 (22.61)	.670 (17.02)	1.188 (30.18)		.6250-.1P-2L-2A	.890 (22.61)	.855 (21.72)	.658 (16.71)	.6875-28 UN-2A	.640 (16.26)	.666 (16.92) .662 (16.81)	.698 (17.73) .693 (17.60)	
11	.935 (23.75)	.715 (18.16)	1.250 (31.75)		.6250-.1P-2L-2A	.890 (22.61)	.855 (21.72)	.658 (16.71)	.6875-28 UN-2A	.703 (17.86)	.728 (18.49) .724 (18.39)	.760 (19.30) .755 (19.18)	
13	1.030 (26.16)	.812 (20.62)	1.375 (34.92)		.8125-.1P-2L-2A	1.078 (27.38)	1.044 (26.52)	.845 (21.46)	.8750-28 UN-2A	.828 (21.03)	.853 (21.67) .849 (21.56)	.885 (22.48) .880 (22.35)	
16	1.219 (30.96)	0.981 (24.92)	1.625 (41.28)		1.000-.1P-2L-2A	1.264 (32.11)	1.230 (31.24)	1.022 (25.96)	1.0625-20 UN-2A	1.015 (25.78)	1.030 (26.16) 1.026 (26.06)	1.072 (27.23) 1.067 (27.10)	
17	1.280 (32.51)	1.060 (26.92)	1.700 (43.18)		1.062-.1P-2L-2A	1.325 (33.65)	1.290 (32.77)	1.096 (27.84)	1.1250-28 UN-2A	1.078 (27.38)	1.104 (28.04) 1.100 (27.94)	1.135 (28.83) 1.130 (28.70)	
19	1.432 (36.37)	1.191 (30.25)	1.900 (48.26)		1.187-.1P-2L-2A	1.625 (41.28)	1.415 (35.94)	1.225 (31.12)	1.2500-28 UN-2A	1.203 (30.56)	1.235 (31.37) 1.231 (31.27)	1.260 (32.00) 1.255 (31.88)	
21	1.565 (39.75)	1.322 (33.58)	2.100 (53.34)		1.312-.1P-2L-2A	1.625 (41.28)	1.577 (40.06)	1.346 (34.19)	1.3750-28 UN-2A	1.328 (33.73)	1.354 (34.39) 1.350 (34.29)	1.385 (35.18) 1.380 (35.05)	

Dimensions in Inches (millimeters) are subject to change without notice.

Series 801 Mighty Mouse Double Start ACME Thread Sav-Con® Connector Saver

801-017 Dimensions

Sav-Con® connector saver



D

Dimensions			
Shell Size	A Thread	C Thread	Ø B
5	.3125-.05P-.1L-2A	.3125-.05P-.1L-2B	.540 (13.72)
6	.375-.05P-.1L-2A	.375-.05P-.1L-2B	.600 (15.24)
7	.4375-.05P-.1L-2A	.4375-.05P-.1L-2B	.680 (17.27)
8	.5000-.05P-.1L-2A	.5000-.05P-.1L-2B	.750 (19.05)
9	.5625-.05P-.1L-2A	.5625-.05P-.1L-2B	.810 (20.57)
10	.6250-.05P-.1L-2A	.6250-.05P-.1L-2B	.880 (22.35)
11	.6875-.05P-.1L-2A	.6875-.05P-.1L-2B	.920 (23.37)
13	.8125-.1P-.2L-2A	.8125-.1P-.2L-2B	1.050 (26.67)
16	1.000-.1P-.2L-2A	1.000-.1P-.2L-2B	1.240 (31.50)
17	1.062-.1P-.2L-2A	1.062-.1P-.2L-2B	1.300 (33.02)
19	1.1875-.1P-.2L-2A	1.1875-.1P-.2L-2B	1.400 (35.56)
21	1.3125-.1p-.2L-2A	1.3125-.1P-.2L-2B	1.550 (39.37)

Material / Finish

- Shell, jam-nut: aluminum alloy or stainless steel
- Contact: copper alloy, 50 µinch gold plated
- Insulator: high-grade rigid dielectric
- Seal: fluorosilicone rubber

Dimensions in Inches (millimeters) are subject to change without notice.

Series 801 Mighty Mouse Double Start ACME Thread Overmolded Harsh Environment Cordsets

General Information



Series 801

Series 801 Harsh Environment Shielded Cordsets



High performance Mighty Mouse cordsets feature easy ordering and fast delivery. These fully shielded and watertight assemblies withstand abrasion, temperature extremes and chemicals. Flexible overmolding provides rugged, watertight protection to wire and shield. Two styles are available: **Style 1** polyamide overmold and polyurethane cable jacket, and **Style 2** improved temperature range, high flexibility thermoplastic rubber overmold and cable jacket. Overmolded Mighty Mouse cordsets are suitable for military gear and other hostile environments where interconnect reliability and survivability is essential.

Product Features

- Single-ended or double-ended
- Rugged, watertight construction
- 100% electrically tested
- Flexible to -55°C. (Style 2)
- Stainless steel shield termination band
- Resistant to chemicals
- Withstands UV and ozone

High-Speed Cordsets

Controlled impedance twisted pair cordsets for Ethernet, USB and other protocols are available. Please refer to Section U

Harsh Environment Cordset Selection Guide

Property	Style 1 Polyurethane Jacket Polyamide Overmold	Style 2 Rubber Jacket Rubber Overmold
Cable jacket	Thermoplastic polyurethane (TPU), black	Thermoplastic elastomer (TPV), black
Overmold	Polyamide, black	Thermoplastic elastomer (TPV), black
Operating temperature	-30° C. to +105° C.	-55° C. to +135° C.
Flexibility	Good	Excellent
Water Resistance	Waterproof	Waterproof
Solvent Resistance, Cable Jacket	Excellent	Good
Solvent Resistance, Overmold	Fair ⁽¹⁾	Good
Weatherability	Excellent	Excellent
Abrasion Resistance	Excellent	Good
Flammability	Flame retardant UL 94 V-0	Flame retardant UL 94 HB
Low Smoke, Zero Halogen Cable Jacket	Yes	No

(1) Excellent resistance to most solvents, fuels, and oils; poor resistance to strong acids and bipolar solvents (alcohol)

Specifications

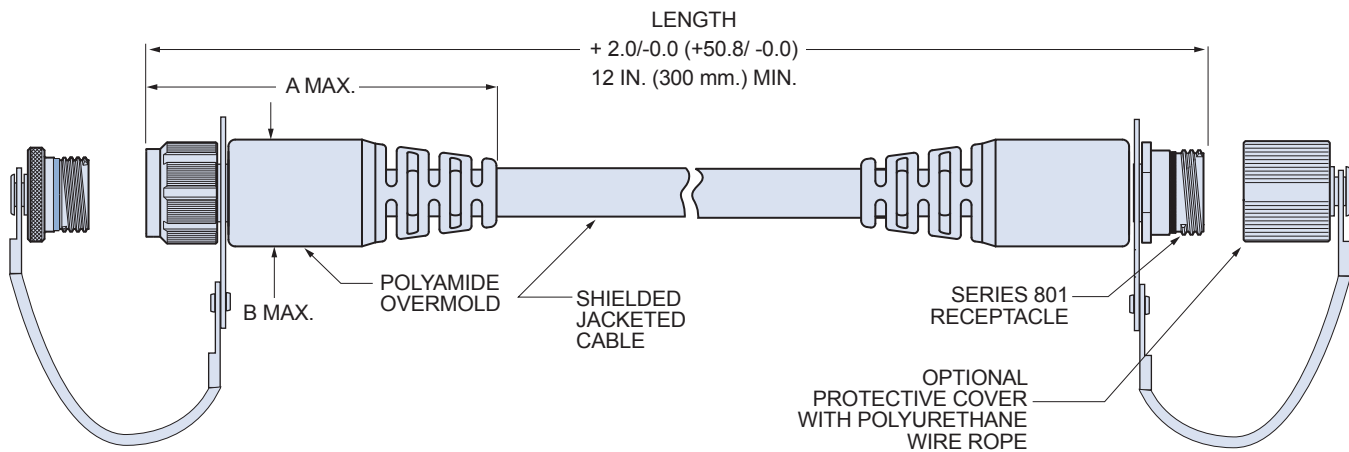
Cable jacket	Style 1: thermoplastic polyurethane, black, low-smoke, zero-halogen Style 2: thermoplastic elastomer, black
Overmold	Style 1: polyamide Style 2: thermoplastic elastomer, black
Cable shield	Tin-coated copper braid, 90% minimum coverage
Conductors	Silver coated stranded wire, TFE insulated, per M22759/11
Shield Termination	Band-Master™ ATS stainless steel shield termination band
Current rating	#23 5 amps, #20 7.5 amps, #16 13 amps, #12 23 amps
Test voltage (DWV)	#23 500 Vac, #20 500 vac, #16 and #12 500 VAC sea level
Insulation resistance	200 Megohms minimum
Shielding effectiveness	50 dB minimum from 100MHz to 1000MHz.

Dimensions in Inches (millimeters) are subject to change without notice.

D

Series 801 Mighty Mouse Double Start ACME Thread Overmolded Harsh Environment Cordsets

Dimensions



D

Dimensions				
Shell Size	A Max.		B Max.	
	In.	mm.	In.	mm.
5	2.31	58.67	0.50	12.70
6	2.4	60.96	0.55	13.97
7	2.5	63.50	0.65	16.51
8	2.52	64.01	0.71	18.03
9	2.8	71.12	0.78	19.81
10	2.75	69.85	0.82	20.83
11	2.85	72.39	0.87	22.10
13	3.1	78.74	0.90	22.86
16	3.4	86.36	1.10	27.94
17	3.4	86.36	1.20	30.48

NOTES

1. Double-ended cordsets are wired pin #1 to pin #1, #2 to #2, and so on.
2. Wires are silver-coated stranded copper with TFE insulation, 600V, in accordance with M22759/11.
3. Wire color is IAW MIL-STD-681 for cables containing 10 wires or less. For cable containing more than 10 wires, wire color is white.

Dimensions in Inches (millimeters) are subject to change without notice.

Series 801 Mighty Mouse Double Start ACME Thread Overmolded Harsh Environment Cordsets

801-026, -070, -034, and -071 Ordering Information



Series 801

Series 801 Cordsets with #23 Contacts								
Sample Part Number								
801-026	-A	C	4	M	8-28	N	A	-36
Series	End A Connector	End B Connector	Wire Size	Shell Material/ Finish	Insert Arr.	Protective Cover	Shell Key Pos.	Length
801-026 Style 1 Polyurethane Cable Jacket, Polyamide Overmold #23 Contacts	-A Plug, with Male Pin Contacts	A Plug, with Male Pin Contacts	2 #22 AWG	M Aluminum / Electroless Nickel	See Cont. Arr. Page D-2	P Metal Protective Covers Included N No Covers Supplied	A = Normal B thru H and J See page D-2	Overall Length In Inches 12 Inch Min.
	-B Plug, with Female Socket Contacts	B Plug, with Female Socket Contacts	4 #24 AWG	NF Aluminum / Cadmium with OD Chromate	Consult Factory for Combo Arr.			
801-070 Style 2 Rubber Cable Jacket and Rubber Overmold #23 Contacts	-C Receptacle, with Male Pin Contacts	C Receptacle, with Male Pin Contacts		ZNU Aluminum / Zinc- Nickel with Black Chromate				
	-D Receptacle, with Female Socket Contacts	D Receptacle, with Female Socket Contacts		MT Aluminum / Nickel-PTFE				
		N No Connector (Single-Ended)		Z1 Stainless Steel / Passivated				

Series 801 Cordsets with #20HD Contacts								
Sample Part Number								
801-034	-A	C	0	M	8-28	N	A	-36
Series	End A Connector	End B Connector	Wire Size	Shell Material / Finish	Insert Arr.	Protective Cover	Shell Key Pos.	Length
801-034 Style 1 Polyurethane Cable Jacket, Polyamide Overmold #20HD Contacts	-A Plug, with Male Pin Contacts	A Plug, with Male Pin Contacts	0 #20 AWG	M Aluminum / Electroless Nickel	See Cont. Arr. Page D-2	P Metal Protective Covers Included N No Covers Supplied	A = Normal B thru H and J See page D-2	Overall Length In Inches 12 Inch Min.
	-B Plug, with Female Socket Contacts	B Plug, with Female Socket Contacts	2 #22 AWG	NF Aluminum / Cadmium with OD Chromate	Consult Factory for Combo Arr.			
801-071 Style 2 Rubber Cable Jacket and Rubber Overmold #20HD Contacts	-C Receptacle, with Male Pin Contacts	C Receptacle, with Male Pin Contacts		ZNU Aluminum / Zinc- Nickel with Black Chromate				
	-D Receptacle, with Female Socket Contacts	D Receptacle, with Female Socket Contacts		MT Aluminum / Nickel-PTFE				
		N No Connector (Single-Ended)		Z1 Stainless Steel / Passivated				

Dimensions in Inches (millimeters) are subject to change without notice.





Series 801 Mighty Mouse Double Start ACME Thread Overmolded Harsh Environment Cordsets

801-031, -072, -032, and -073 Ordering Information

D

Series 801 Cordsets with #16 Power Contacts								
Sample Part Number								
801-031	-A	C	6	M	8-28	N	A	-36
Series	End A Connector	End B Connector	Wire Size	Shell Material/ Finish	Insert Arr.	Protective Cover	Shell Key Pos.	Length
801-031 Style 1 Polyurethane Cable Jacket, Polyamide Overmold #16 contacts	-A Plug, with Male Pin Contacts -B Plug, with Female Socket Contacts -C	A Plug, with Male Pin Contacts B Plug, with Female Socket Contacts C Receptacle, with Male Pin Contacts D Receptacle, with Female Socket Contacts N No Connector (Single-Ended)	6 #16 AWG 8 #18 AWG	M Aluminum / Electroless Nickel NF Aluminum / Cadmium with OD Chromate ZNU Aluminum / Zinc- Nickel with Black Chromate MT Aluminum / Nickel-PTFE Z1 Stainless Steel / Passivated	See Cont. Arr. Page D-2 Consult Factory for Combo Arr.	P Metal Protective Covers Included N No Covers Supplied	A = Normal B thru H and J See page D-2	Overall Length In Inches 12 Inch Min.
801-072 Style 2 Rubber Cable Jacket and Rubber Overmold #16 Contacts	Receptacle, with Male Pin Contacts -D Receptacle, with Female Socket Contacts							

Series 801 Cordsets with #12 Power Contacts								
Sample Part Number								
801-032	-A	C	2	M	8-28	N	A	-36
Series	End A Connector	End B Connector	Wire Size	Shell Material / Finish	Insert Arr.	Protective Cover	Shell Key Pos.	Length
801-032 Style 1 Polyurethane Cable Jacket, Polyamide Overmold #12 contacts	-A Plug, with Male Pin Contacts -B Plug, with Female Socket Contacts -C	A Plug, with Male Pin Contacts B Plug, with Female Socket Contacts C Receptacle, with Male Pin Contacts D Receptacle, with Female Socket Contacts N No Connector (Single-Ended)	2 #12 AWG 4 #14 AWG	M Aluminum / Electroless Nickel NF Aluminum / Cadmium with OD Chromate ZNU Aluminum / Zinc- Nickel with Black Chromate MT Aluminum / Nickel- PTFE Z1 Stainless Steel / Passivated	See Cont. Arr. Page D-2 Consult Factory for Combo Arr.	P Metal Protective Covers Included N No Covers Supplied	A = Normal B thru H and J See page D-2	Overall Length In Inches 12 Inch Min.
801-073 Style 2 Rubber Cable Jacket and Rubber Overmold #12 Contacts	Receptacle, with Male Pin Contacts -D Receptacle, with Female Socket Contacts							

Dimensions in Inches (millimeters) are subject to change without notice.

Series 801 Mighty Mouse Double Start ACME Thread Flexible, Lightweight Phantom Cable Cordsets

General Information



Series 801

Series 801 Ultraflexible “Phantom Cable” Cordsets



Phantom Cable cordsets feature high-flex rubber-insulated wires, lightweight shield and overbraided jackets for maximum flexibility, reduced size and minimum weight. Flexible rubber overmold provides strain relief and environmental sealing. EMI shield options include high-strength, ultralightweight Amberstrand® nickel-coated composite braid, ArmorLite™ or lightweight, high flexibility tinned copper braid. Braid outer jackets are available with NOMEX®, HALAR® or PTFE-coated fiberglass.

Product Features

- Overbraided cable jacket for excellent flexibility
- Ultra-lightweight AmberStrand® EMI shield
- 100% electrically tested
- Flexible to -55°C.
- Stainless steel shield termination band

Application Note

Overbraided textile jackets are ideal for applications where flexibility and weight are important. However, water can penetrate through the jacket and cable shield. Dust and contamination can also become entrapped in the braid. Braided jackets are prone to fraying damage caused by snagging on velcro closures and MOLLE vests. Extruded cable jackets are recommended if debris entrapment, moisture ingress or fraying damage are concerns.

Braid Shield Selection Guide			
Property	Amberstrand®	Armorlite®	Copper
Type	nickel-coated high-strength super fiber	Micro-filament nickel-coated stainless steel	Tin-coated copper
Weight/ft. (0.5 in. ID)	3.7 grams	4.4 grams	22.3 grams
Operating Temp ⁽¹⁾	-65° C to +200° C	-80° C to +260° C	-80° C to +150° C
Coverage	90% min.	90% min.	90% min.
Flexibility	Excellent	Excellent	Good
Cost Comparison	\$\$\$	\$\$	\$

(1) Rubber wires and rubber overmold are rated for -55° C to +135° C.

Jacket Selection Guide			
Property	NOMEX®	HALAR®	PTFE Coated Fiberglass
Color	Black or olive drab	Black	Tan
Operating Temp ⁽¹⁾	-55° C to +260° C	-73° C to +150° C	-75° C to +300° C
Chemical Resistance	Excellent	Excellent	Excellent
Flammability	Self-extinguishing, will not melt	Fire retardant UL VW-1	Self-extinguishing
Toxicity	Non-toxic	Non-toxic	Non-toxic
Flexibility	Excellent	Excellent	Excellent
Abrasion resistance	Excellent	Excellent	Excellent

(1) Rubber wires and rubber overmold are rated for -55° C to +135° C.

Specifications	
Cable jacket	NOMEX®, HALAR® or PTFE-coated fiberglass
Temperature Range	-55° C to +135° C
Overmold	Thermoplastic elastomer, black
Cable shield	AmberStrand®, ArmorLite® or tinned copper, 90% minimum coverage
Conductors	Silver coated stranded wire, rubber insulation
Shield Termination	Band-Master™ ATS stainless steel shield termination band
Current rating	5 amps
Test voltage (DWV)	500 Vac
Insulation resistance	200 Megohms minimum
Shielding effectiveness	50 dB minimum from 100MHz to 1000MHz.

Dimensions in Inches (millimeters) are subject to change without notice.



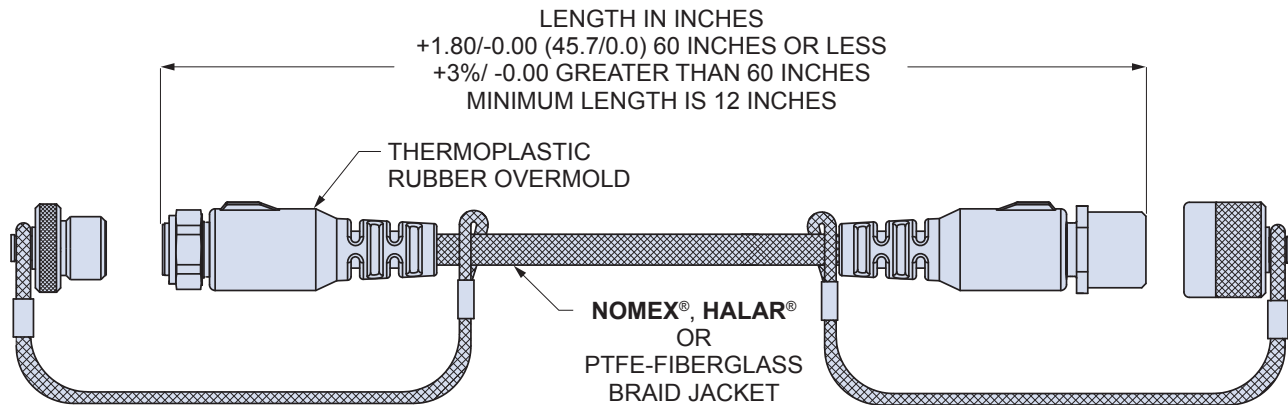
Series 801 Mighty Mouse Double Start ACME Thread Flexible, Lightweight Phantom Cable Cordsets

801-065, -066, -067, -068 Ordering Information

Series 801 "Phantom Cable" Cordsets size #12 thru #23 Contacts

Sample Part Number										
801-065	-B	N	2	Z1	5-3	N	A	-60	C	N
Series	End A Connector	End B Connector	Wire Size	Shell Material/ Finish	Insert Arr.	Protective Cover	Shell Key Pos.	Length	Shield Option	Jacket Option
Size #23 Contacts 801-065 Phantom Cable Cordset	-A Plug, with Male Pin Contacts	A Plug, with Male Pin Contacts	Size #23 Contacts 4 #24 AWG	M Aluminum / Electroless Nickel	See Cont. Arr. Page D-2	P Metal Protective Covers Included	A Normal	Overall Length In Inches 12 Inch Min.	A Amberstrand	D Nomex, Olive Drab
Size #20 HD Contacts 801-066 Phantom Cable Cordset	-B Plug, with Female Socket Contacts	B Plug, with Female Socket Contacts	6 #26 AWG	NF Aluminum / Cadmium with OD Chromate	Consult Factory for Combo Arr.	N No Covers Supplied	B Pos. B		B Armorlite	N Nomex, Black
Size #16 Contacts 801-067 Phantom Cable Cordset	-C Rec. with Male Pin Contacts	C Rec. with Male Pin Contacts	8 #28 AWG	ZNU Aluminum / Zinc-Nickel with Black Chromate			C Pos. C		C Tin-Coated Copper	H Halar (Monofil)
Size #12 Contacts 801-068 Phantom Cable Cordset	-D Rec. with Female Socket Contacts	D Rec. with Female Socket Contacts	Size #20 HD Contacts 0 #20 AWG	MT Aluminum / Nickel-PTFE			D Pos. D			P Peek (Monofil)
		N No Connector (Single-Ended)	Size #22 AWG 2 #22 AWG	Z1 Stainless Steel / Passivated			E Pos. E			
			Size #16 Contacts 6 #16 AWG				F Pos. F			
			Size #18 AWG 8 #18 AWG				See page D-2			

D



NOTES

1. Double-ended cordsets are wired pin #1 to pin #1, #2 to #2, and so on.
2. Wires are silver-coated stranded copper with TPE insulation, 600V, UL VW-1 rated.
3. Wires are white with color stripe per MIL-STD-681. Wire #1 is WHT/BLK, wire #2 is WHT/BRN, etc.

Dimensions in Inches (millimeters) are subject to change without notice.

SERIES 80

MIGHTY MOUSE



Series 802 “Aqua Mouse” delivers high-pressure sealing and rugged design in a miniature package



Originally developed for petroleum pipeline inspection equipment, Series 802 connectors are available in ten sizes from 1 to 130 contacts and equipped with Viton® O-rings to withstand exposure to corrosive chemicals and high temperature environments. These connectors feature high density crimp Mighty Mouse inserts, 316 stainless steel or marine bronze shells and a “piston” O-ring for hydrostatic sealing. Series 802 insulated wire, panel mount receptacles can be ordered as square flange, in-line or jam-nut versions. Choose integral shield termination platform or accessory thread for use with a variety of strain relief options. Crimp style gold-plated crimp contacts accept #12–30 wire. Printed circuit board receptacles come with factory installed solder cup contacts (non-removable) or PC tails. Connectors are backfilled with epoxy potting compound. Hermetic glass-sealed connectors come with solder cup contacts (non-removable) or PC tails. Choose Jam-nut, square flange or weld mount versions. 100% tested to meet 1×10^{-7} cc/sec helium leakage. Open face pressure rating 1000 PSI.



Glenair, Inc.
1211 Air Way
Glendale, CA
91201-2497
818-247-6000
sales@glenair.com
www.glenair.com

Series 802 AquaMouse™
3500 PSI Submersibles
Table of Contents and Introduction



PRODUCT SELECTION GUIDE



Series 802 Plug with Crimp Removable Contacts

AquaMouse™ plugs available with integral band platform or accessory thread. Integral platform allows for direct attachment of cable shield. Select accessory threads for attachment of cable backshells. Crimp contacts are packaged with connectors. Hydrostatic pressure rating of 3500 PSI when fully mated and properly molded.

Page E-8



Series 802 Receptacle with Crimp Removable Contacts

Shell styles include jam-nut, square flange and in-line. Integral shield termination platform for cable shield attachment. Select accessory threads for attachment of backshells. Contacts are crimp-type and are packaged with the connector. Hydrostatic pressure rating of 3500 PSI when fully mated and properly molded.

Page E-10



Series 802 Receptacle with PC Tails or Solder Cups

These panel mount connectors feature gold plated, factory-installed PC tail contacts or solder cup contacts. Contacts are non-removable. Connectors are backfilled with epoxy potting compound. Hydrostatic pressure rating of 3500 PSI when fully mated and properly overmolded.

Page E-14



Series 802 Hermetic Receptacle with PC Tails or Solder Cups

These stainless steel, glass-sealed connectors are available with solder cup or PC tail contacts. Choose jam-nut, square flange or weld mount versions. Contacts are gold plated iron alloy. 100% tested and rated to less than 1×10^{-7} cc/sec leak rate. Hydrostatic pressure rating of 3500 PSI when fully mated and properly molded.

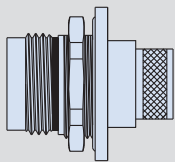
Page E-18



Series 802 Hermetic Receptacle with Coax Contacts

Stainless steel, glass-sealed connectors with coax contacts. Select front or rear panel mount jam-nut, front panel mount square flange or weld mount shell styles. Contacts are gold plated iron alloy. 100% tested and rated to less than 1×10^{-7} cc/sec leak rate. Open face pressure rating 1000 PSI.

Page E-23



Series 802 Hermetic Receptacles with Crimp Removable Contacts

These stainless steel, glass-sealed connectors are available with crimp removable contacts. Choose front or rear panel mount jam-nut or box mount connector versions. Contacts are gold plated iron alloy. 100% tested and rated to less than 1×10^{-7} cc/sec leak rate. Open face pressure rating 1000 PSI.

Page E-28



Series 802 Hermetic Bulkhead Feed-Thru

These stainless steel, glass-sealed connectors are available with solder cup or PC tail contacts. Choose jam-nut, square flange or weld mount versions. Contacts are gold plated iron alloy. 100% tested and rated to 5×10^{-8} cc/sec helium leakage. Open face pressure rating 1,000 PSI for all shell sizes.

Page E-31



Series 802 Cordsets

Specify overmolded cordsets for optimum convenience and performance. Low smoke zero-halogen polyurethane offers excellent abrasion and chemical resistance. Choose polyamide overmold for medium duty low pressure applications, or select thermoset polyurethane overmold for maximum performance and 2500 PSI rating.

Page E-33

Dimensions in Inches (millimeters) are subject to change without notice.

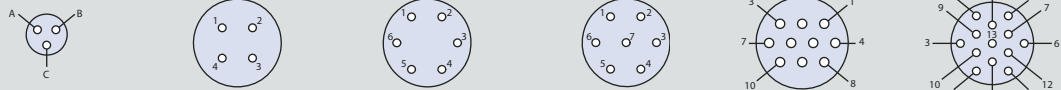




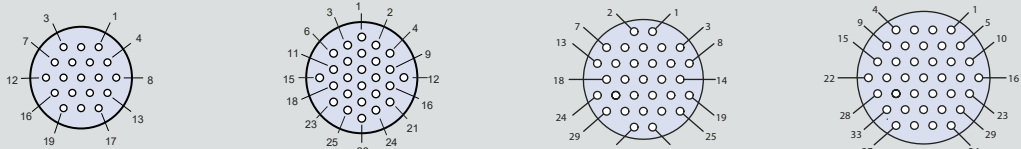
Series 802 AquaMouse™ 3500 PSI Submersibles

Contact Arrangements, Mating Face of Pin Insert Shown

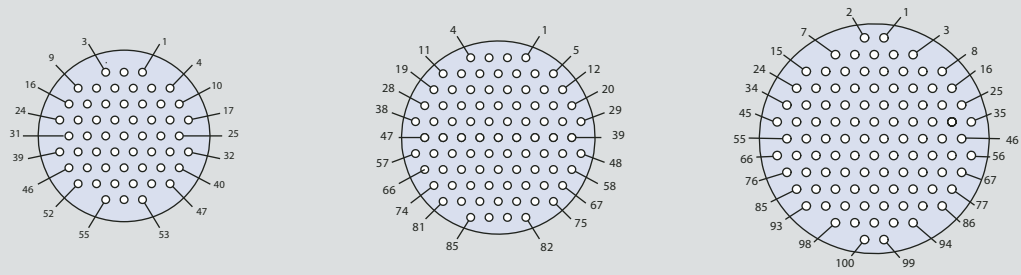
Size #23 Signal Contacts, Tested at 1800 VAC



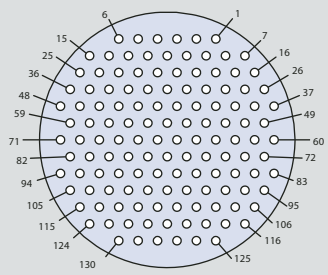
Insert Arrangement	5-3	6-4	6-6	6-7	7-10	8-13
No. of Contacts	3	4	6	7	10	13



Insert Arrangement	9-19	10-26	11-31	12-37
No. of Contacts	19	26	31	37



Insert Arrangement	14-55	15-85	19-100
No. of Contacts	55	85	100



Insert Arrangement	21-130
No. of Contacts	

Dimensions in Inches (millimeters) are subject to change without notice.

E

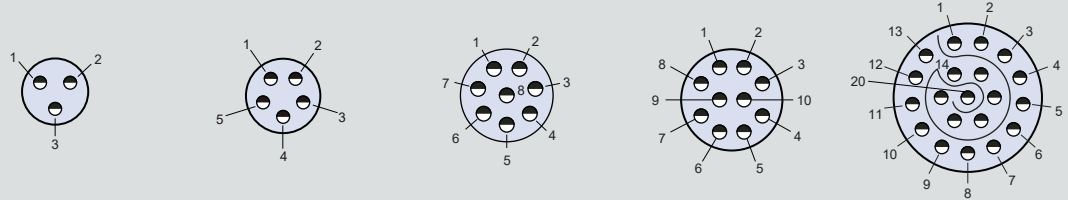
Series 802 AquaMouse™
3500 PSI Submersibles

Contact Arrangements, Mating Face of Pin Insert Shown

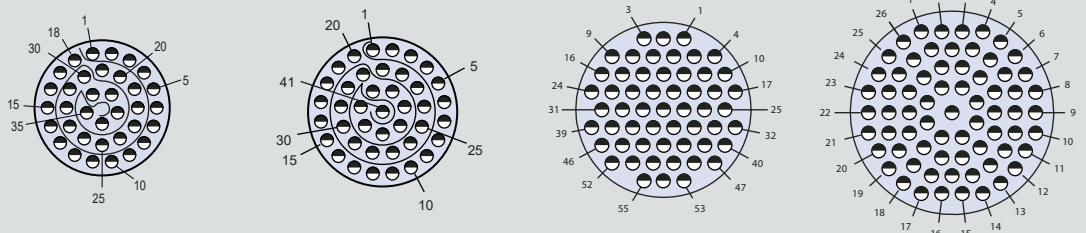


Series 802

Size #20HD Power Contacts, Tested at 1000 VAC

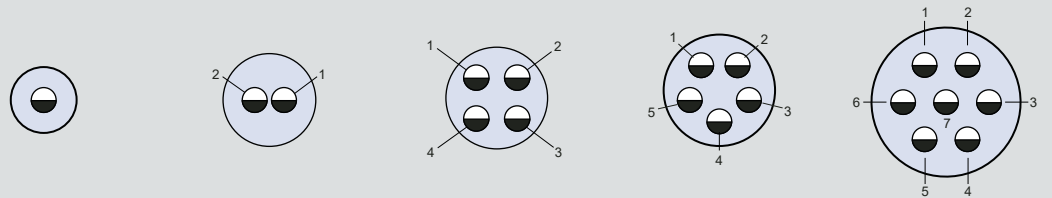


Insert Arrangement	6-23	7-25	8-28	9-210	12-220
No. of Contacts	3	5	8	10	20

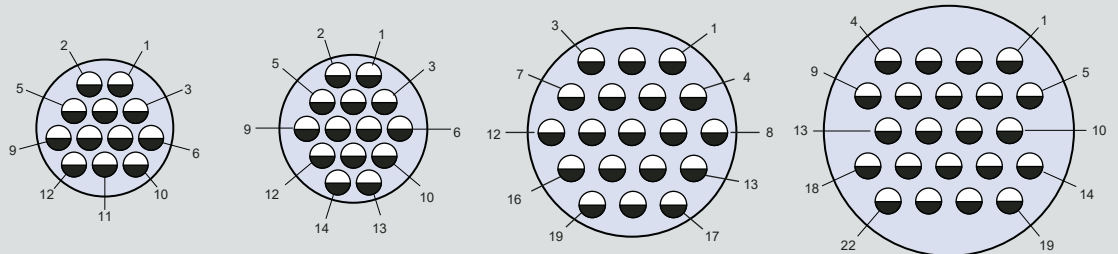


Insert Arrangement	14-235	15-241	19-255	21-269
No. of Contacts	35	41	55	69

Size #16 Power Contacts, Tested at 1800 VAC



Insert Arrangement	6-1	8-2	9-4	10-5	12-7
No. of Contacts	1	2	4	5	7



Insert Arrangement	14-12	15-14	19-19	21-22
No. of Contacts	12	14	19	22

Dimensions in Inches (millimeters) are subject to change without notice.

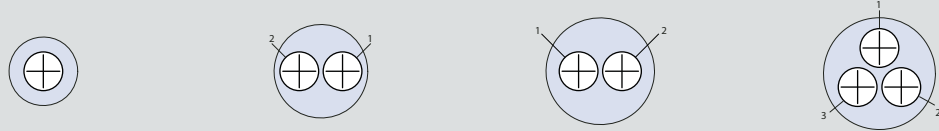




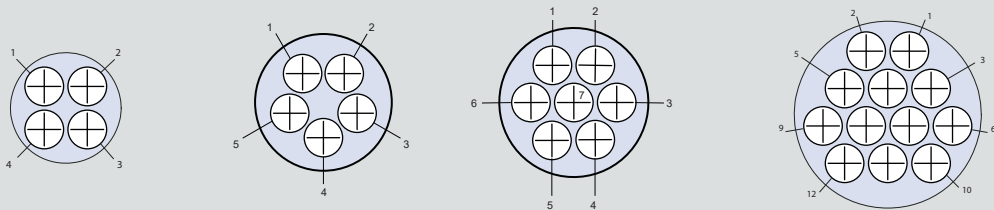
Series 802 AquaMouse™
3500 PSI Submersibles

Contact Arrangements, Mating Face of Pin Insert Shown

Size #12 Power Contacts, Tested at 1800 VAC



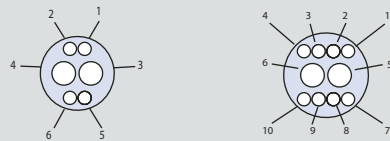
Insert Arrangement	7-1	10-2	12-2	12-3
No. of Contacts	1	2	2	3



Insert Arrangement	14-4	14-5	15-7	21-12
No. of Contacts	4	5	7	12

Size #20 Power and Size #23 Signal, Combo Contact Arrangements

E



Insert Arrangement	8-200		9-201	
Contact Size	#20	#23	#20	#23
No. of Contacts	2	4	2	8
VAC Test Voltage	750		750	

Dimensions in Inches (millimeters) are subject to change without notice.

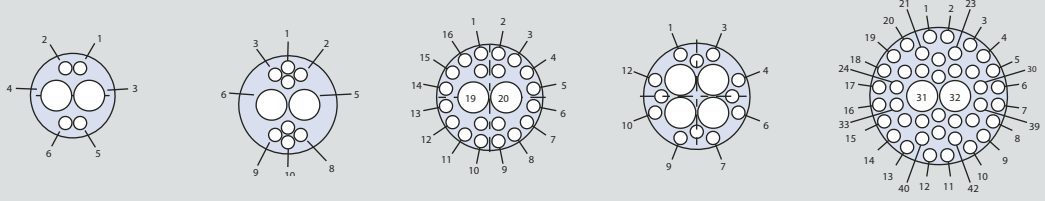
Series 802 AquaMouse™ 3500 PSI Submersibles

Contact Arrangements, Mating Face of Pin Insert Shown

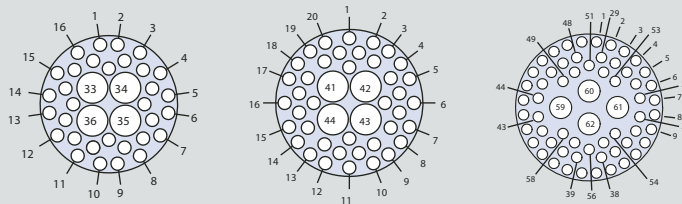


Series 802

Size #16 Power and Size #23 Signal, Combo Contact Arrangements

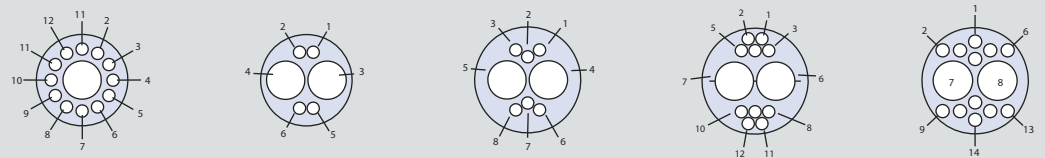


Insert Arrangement	9-200		10-202		12-202		12-203		14-204	
Contact Size	#16	#23	#16	#23	#16	#23	#16	#23	#16	#23
No. of Contacts	2	4	2	8	2	20	4	12	2	40
VAC Test Voltage	750		750		1300		1300		1300	

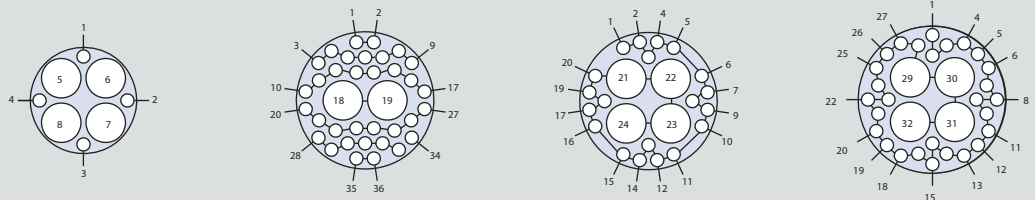


Insert Arrangement	14-205		15-203		15-206	
Contact Size	#16	#23	#16	#23	#16	#23
No. of Contacts	4	32	4	40	4	58
VAC Test Voltage	1300		1300		1300	

Size #12 Power and Size #23 Signal, Combo Contact Arrangements



Insert Arrangement	10-200		10-201		12-200		12-201		12-204	
Contact Size	#12	#23	#12	#23	#12	#23	#12	#23	#12	#23
No. of Contacts	1	12	2	4	2	6	2	10	2	12
VAC Test Voltage	750		750		750		750		1300	



Insert Arrangement	12-205		14-206		14-207		15-204	
Contact Size	#12	#23	#12	#23	#12	#23	#12	#23
No. of Contacts	4	4	2	34	4	20	4	28
VAC Test Voltage	1300		1300		1300		1300	

Dimensions in Inches (millimeters) are subject to change without notice.



Series 802 AquaMouse™ 3500 PSI Submersibles

Panel Cutout Dimensions and Polarization

Panel Cutout Dimensions

Jam-Nut, Front Panel Mount Panel Cutout Dimensions		
Shell Size	H Flat +.005 (.13) -.000 (-.00)	Ø J
5	.286 (7.26)	.322 (8.18)
6	.412 (10.46)	.448 (11.38)
7	.474 (12.04)	.510 (12.95)
8	.536 (13.61)	.572 (14.53)
9	.599 (15.21)	.635 (16.13)
10	.661 (16.79)	.697 (17.70)
12	.724 (18.39)	.760 (19.30)
14	.898 (22.81)	.948 (24.08)
15	.960 (24.38)	1.010 (25.65)
19	1.091 (27.71)	1.135 (28.83)
21	1.263 (32.08)	1.322 (33.58)

Jam-Nut, Rear Panel Mount Panel Cutout Dimensions		
Shell Size	F Flat +.005 (+.13) -.000 (-.00)	Ø G
5	.474 (12.04)	.510 (12.95)
6	.599 (15.21)	.635 (16.13)
7	.661 (16.79)	.697 (17.70)
8	.724 (18.39)	.760 (19.30)
9	.786 (19.96)	.822 (20.88)
10	.835 (21.21)	.885 (22.48)
12	.898 (22.81)	.948 (24.08)
14	1.085 (27.56)	1.135 (28.83)
15	1.148 (29.16)	1.198 (30.43)
19	1.357 (34.47)	1.385 (35.18)
21	1.471 (37.36)	1.510 (38.35)

Square Flange, Front Panel Mount Panel Cutout Dimensions		
Shell size	B BSC	Ø F
5	.500 (12.70)	.327 (8.31)
6	.625 (15.88)	.390 (9.91)
7	.688 (17.48)	.515 (13.08)
8	.750 (19.05)	.577 (14.66)
9	.812 (20.62)	.640 (16.26)
10	.875 (22.23)	.702 (17.83)
12	.938 (23.83)	.765 (19.43)
14	1.125 (28.58)	.953 (24.21)
15	1.188 (30.18)	1.015 (25.78)
21	1.375 (34.92)	1.312 (33.32)

E

Polarization

Plug Key Positions		
Position	A°	B°
Normal (A)	150°	210°
B	75°	210°
C	95°	230°
D	140°	275°
E	75°	275°
F	95°	210°

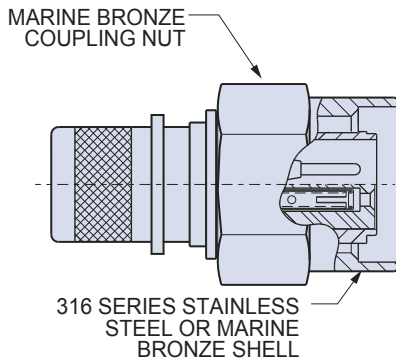
Receptacle Keyway Positions		
Position	A°	B°
A (Normal)	150°	210°
B	75°	210°
C	95°	230°
D	140°	275°
E	75°	275°
F	95°	210°

Dimensions in Inches (millimeters) are subject to change without notice.

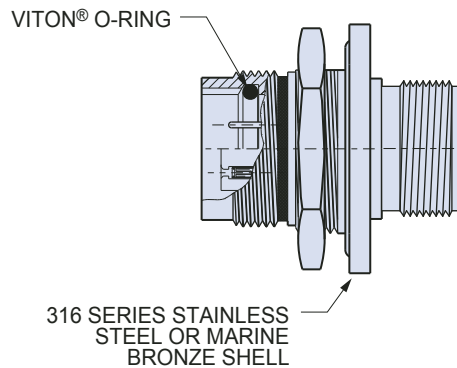
Series 802 AquaMouse™ 3500 PSI Submersibles General Information



Series 802



Series 802 Plug



Series 802 Receptacle

Glenair Series 802 AquaMouse™ Delivers High-Pressure Sealing and Rugged Design in a Miniature Package

Originally developed for petroleum pipeline inspection equipment, Series 802 connectors withstand exposure to corrosive environments and high pressure. These connectors feature high density crimp Mighty Mouse inserts, 316 stainless steel or marine bronze shells and a “piston” O-ring for hydrostatic sealing. Gold-plated contacts accept #12-30 AWG wire. Printed circuit board receptacles are available, along with hermetic receptacles.

Stainless Steel or Marine Bronze

Available in ten sizes from 1 to 130 contacts, Series 802 connectors feature 316 stainless steel or marine bronze shells. Viton® O-rings resist high temperature and corrosive chemicals.

3500 psi

These connectors withstand up to 3500 PSI hydrostatic pressure in a mated condition.

Hermetic Connectors

Hermetic versions withstand 1000 PSI open face pressure and are rated to less than 1×10^{-7} . For hermetic applications with higher leak rate requirements add modification code **-585**. See table below for specifications.

Hermetic Leak Rate Mod Codes	
Designator	Required Leak Rate
-585A	1×10^{-10} cc Helium per second
-585B	1×10^{-9} cc Helium per second
-585C	1×10^{-8} cc Helium per second



Specifications	
Current Rating	#23-5 A, #20-7.5 A, #16-13 A, #12-23 A
Dielectric Withstanding Voltage	#23-750 VAC, #20HD-1000VAC, #16 and #12-1800 VAC
Insulation Resistance	5000 megohms minimum
Operating Temperature	-65° C. to +175° C.
Hydrostatic Pressure	3500 PSI mated. 1000 PSI open face rated (hermetic)
Shock	300 g.
Vibration	37 g.
Durability	2000 mating cycles

Materials and Finishes	
Shells, Jam-nuts	316 SST, 304L SST or marine bronze
Coupling Nuts	Marine bronze, unplated
Contacts	Copper alloy, 50 μlnc gold plated, socket hood: stainless steel, passivated. Hermetic pin contacts: Nickel-Iron alloy per ASTM-F-30, 50 μlnc gold plated.
Insulators	High grade rigid dielectric
Contact Retention Clip	Beryllium copper alloy
Interfacial Seal, O-rings	Viton Rubber
Interfacial seal, rear grommet	Fluorosilicone rubber, blue
O-rings	Viton®

Dimensions in Inches (millimeters) are subject to change without notice.



Series 802 AquaMouse™ 3500 PSI Submersible Plug with Crimp Contacts

802-008 and 802-009 Ordering Information



Stainless Steel or **Marine Bronze Shell** withstands corrosion in the most hostile environments. Rated for 3500 PSI when mated, these connectors are suitable for the most demanding geophysical and underwater applications.

Gold-Plated Contacts attach to wire with standard mil spec crimp tools. Contacts are packaged with connectors.

Two Series: Integral platform for direct shield attachment using Band-Master™ ATS termination system, or accessory thread for attaching accessories.

How To Order						
Sample Part Number		802-009	-06	Z1	9-19	S A
Series (See Table I)	802-008 = Plug with Banding/ Molding Platform					
	802-009 = Plug with Accessory Thread					
Shell Style	-06 = Plug					
Shell Material and Finish	Z1 = Stainless Steel/Passivated RoHS Compliant					
	ZM = Stainless Steel/ Electroless Nickel Plated					
	AB = Marine Bronze					
Shell Size - Insert Arrangement	See Contact Arrangements page E-2					
Contact Type	Connector supplied with contacts P = Pin S = Socket Connectors with contacts are supplied with signal and/or power crimp contacts. These contacts are not installed. Coaxial contacts and non-standard signal contacts are ordered separately.		Connector supplied without contacts A = Pin Connector, less contacts B = Socket Connector, less contacts			
Polarization (See Table II)	A = Normal B = Pos. B C = Pos. C D = Pos. D E = Pos. E F = Pos. F					

NOTES

- Contacts are crimp type, and are used in a rear release retention system Crimp Barrel accommodates 22, 24, 26, and 28 gage wire
- Crimp tool data:
 - Crimp frame: M22520/2-01
 - Positioner: Glenair part no. 809-005
 - Insertion tool: Glenair P/N 809-088
 - Extraction tool: Glenair P/N 809-088
- Mates to 802 series receptacle
- Performance capabilities:
 - Current rating: 5 amp max
 - Contact voltage drop: 70 millivolts max at 5 amps, 25°C
 - Hydrostatic pressure rating: 3500 PSI fully mated and properly molded
 - Insulation resistance: 5,000 megohms minimum
 - DWV: 500 VAC

Table I: Connector Series	
802-008 Hex Plug with Banding/ Molding Platform	802-009 Hex Plug with Accessory Thread

- Electrical safety limits to be set by user peak voltages, switching surges, transients etc. should be used to determine safe application

Table II: Key Positions		
Key Position	Key Rotation	
	A°	B°
Normal (A)	150°	210°
B	75°	210°
C	95°	230°
D	140°	275°
E	75°	275°
F	95°	210°

Dimensions in Inches (millimeters) are subject to change without notice.

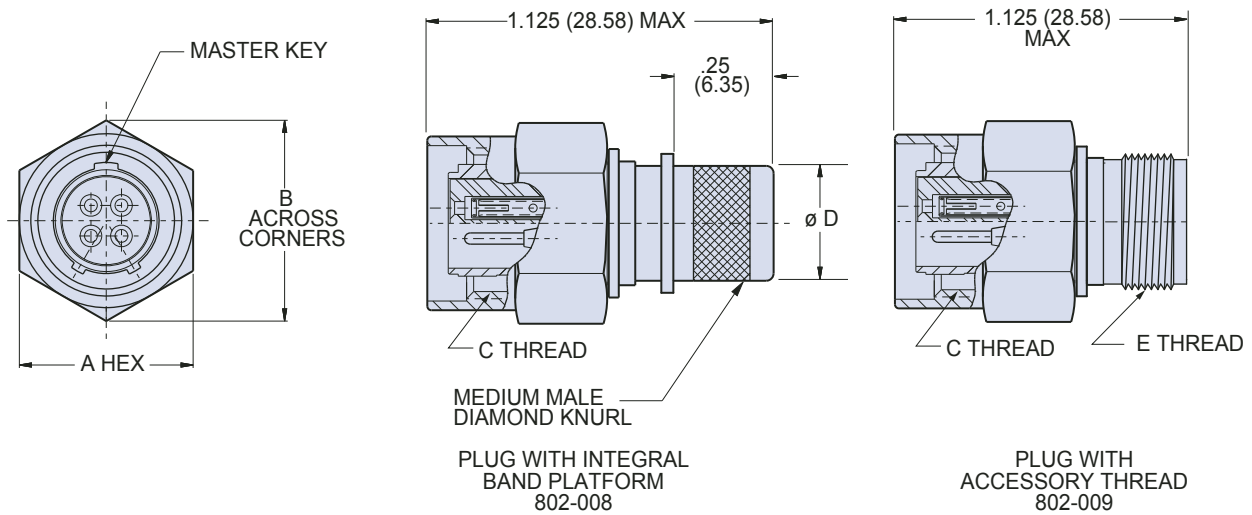
Series 802 AquaMouse™ 3500 PSI Submersible Plug with Crimp Contacts

802-008-06 and 802-009-06 Dimensions



Series 802

Plug connector with integral band porch or accessory thread - shell style 06



Dimensions					
Shell Size	A Hex	B.	C Thread	Ø D	E Threads Accessory
5	.500 (12.70)	.56 (14.22)	.438-28 UNEF	.232 (5.89)	.2500-32 UNEF
6	.625 (15.88)	.72 (18.29)	.562-20 UN	.312 (7.92)	.3125-32 UNEF
7	.688 (17.48)	.78 (19.81)	.625-20 UN	.375 (9.52)	.4375-28 UNEF
8	.750 (19.05)	.86 (21.84)	.687-20 UN	.438 (11.13)	.5000-28 UNEF
9	.812 (20.62)	.93 (23.62)	.750-20 UNEF	.500 (12.70)	.5625-24 UNEF
10	.875 (22.23)	1.00 (25.40)	.812-20 UNEF	.562 (14.27)	.6250-24 UNEF
12	.938 (23.83)	1.06 (26.92)	.875-20 UNEF	.656 (16.66)	.6875-24 UNEF
14	1.125 (28.58)	1.25 (31.75)	1.062-20 UN	.812 (20.62)	.8750-20 UNEF
15	1.188 (30.18)	1.32 (33.53)	1.125-20 UN	.885 (22.48)	.9375-20 UNEF
21	1.562 (39.67)	1.70 (43.18)	1.438-20 un	1.188 (30.18)	1.250-18 UNEF

Material/finish

- Plug Barrel: SST / see How to Order table
- Coupling nut: nickel-aluminum-bronze/ degrease
- Insulator: epoxy
- Interfacial seal, grommet seal: fluorosilicone.
- Contact: Copper alloy / gold plate per ASTM B 488, Type II, Code C, Class 1.25, over suitable underplate

Dimensions in Inches (millimeters) are subject to change without notice.

E



Series 802 AquaMouse™ 3500 PSI Submersible Receptacle with Crimp Contacts

802-010 and 802-011 Ordering Information



Series 802 Receptacles feature crimp contacts in a rear release retention system. Shells are machined from stainless steel in jam-nut, square flange, or in-line shell styles. Choose the integral band platform for direct attachment of a cable shield or select accessory thread option to attach backshells. Rated for 3500 PSI when mated. These connectors are suitable for the most demanding geophysical and underwater applications.

How To Order						
Sample Part Number	802-011	-02	Z1	10-26	P	B
Series (See Table I)	802-010 = Receptacle with Banding Platform 802-011 = Receptacle with Accessory Thread					
Shell Style (See Table II)	-01 = In-Line -02 = Square Flange, Front Panel Mount -07 = Jam-nut, Rear Panel Mount					
Shell Material and Finish	Z1 = Stainless Steel/Passivated RoHS Compliant ZM = Stainless Steel/Electroless Nickel Plated AB = Marine Bronze/Unplated					
Shell Size - Insert Arrangement	See Contact Arrangements Page E-2					
Contact Type	Connector supplied with contacts P = Pin S = Socket Connectors supplied with contacts do not come installed. Coaxial contacts and non-standard signal contacts are ordered separately.		Connector supplied without contacts A = Pin Connector, less contacts B = Socket Connector, less contacts			
Polarization(See Table III)	A = Normal B = Pos. B C = Pos. C D = Pos. D E = Pos. E F = Pos. F					

E

Table I: Connector Series	
802-010 Receptacle with Banding Platform	802-011 Receptacle with Accessory Thread

Table II: Shell Style		
-01 In-Line	-02 Square Flange, Front Panel Mount	-07 Jam-nut, Rear Panel Mount

Table III: Shell Keyway Positions		
Position	A°	B°
A (Normal)	150°	210°
B	75°	210°
C	95°	230°
D	140°	275°
E	75°	275°
F	95°	210°

NOTES

- Grommet protrudes for power/combo/#8 arrangements.
- Crimp contacts used in a Rear release retention system
- Receptacle mates with all 802 series plug connectors with same polarization and opposite contact gender
- Hydrostatic pressure rating: 3500 PSI fully mated and properly molded
- Electrical safety limits to be set by user peak voltages, switching surges, transients etc. should be used to determine safe application
- Parker O-ring compound V709-90 or equivalent
- For all insert arrangements with size #8 contacts, add .364" to overall length

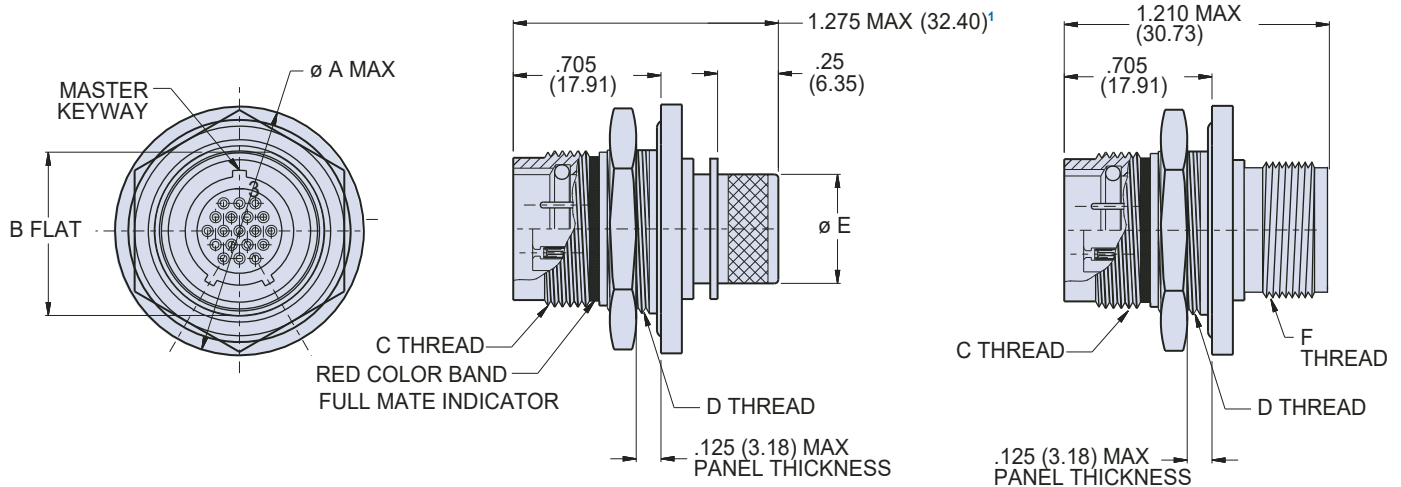
Dimensions in Inches (millimeters) are subject to change without notice.

Series 802 AquaMouse™ 3500 PSI Submersible
Receptacle with Crimp Contacts
802-010-07 and 802-011-07 Dimensions



Series 802

Jam-nut, rear panel mount - Shell style 07



Integral Band Platform
802-010

Accessory Thread
802-011

Dimensions						
Shell Size	A Max.	B Flat	C Thread	D Thread	Ø E	F Thread
5	.885 (22.48)	.469 (11.91) .463 (11.76)	.4375-28 UNEF	.5000-32 UN-2A	.232 (5.89)	.2500-32 UNEF-2A
6	1.010 (25.65)	.594 (15.09) .588 (14.94)	.5625-20 UN	.6250-28 UN-2A	.312 (7.92)	.3125-32 UNEF-2A
7	1.072 (27.23)	.656 (16.66) .650 (16.51)	.6250-20 UN	.6875-28 UN-2A	.375 (9.52)	.4375-28 UNEF-2A
8	1.135 (28.83)	.729 (18.52) .725 (18.42)	.6875-20 UN	.7500-28 UN-2A	.438 (11.13)	.5000-28 UNEF-2A
9	1.195 (30.35)	.781 (19.84) .775 (19.68)	.7500-20 UNEF	.8125-28 UN-2A	.500 (12.70)	.5625-24 UNEF-2A
10	1.260 (32.00)	.830 (21.08) .824 (20.93)	.8125-20 UNEF	.8750-28 UN-2A	.562 (14.27)	.6250-24 UNEF-2A
12	1.322 (33.58)	.893 (22.68) .887 (22.53)	.8750-20 UNEF	.9375-28 UN-2A	.656 (16.66)	.6875-24 UNEF-2A
14	1.510 (38.35)	1.080 (27.43) 1.074 (27.28)	1.0625-20 UN	1.1250-28 UN-2A	.812 (20.62)	.8750-20 UNEF-2A
15	1.572 (39.93)	1.143 (29.03) 1.137 (28.88)	1.1250-20 UN	1.1875-28 UN-2A	.885 (22.48)	.9375-20 UNEF-2A
21	1.940 (49.28)	1.467 (37.26) 1.463 (37.16)	1.4375-20 UN	1.5000-28 UN-2A	1.188 (30.18)	1.2500-20 UNEF-2A

Jam-Nut, Rear Panel Mount Panel Cutout Dimensions		
Shell Size	F Flat +.005 (+.13) -.000 (-.00)	Ø G
5	.474 (12.04)	.510 (12.95)
6	.599 (15.21)	.635 (16.13)
7	.661 (16.79)	.697 (17.70)
8	.724 (18.39)	.760 (19.30)
9	.786 (19.96)	.822 (20.88)
10	.835 (21.21)	.885 (22.48)
12	.898 (22.81)	.948 (24.08)
14	1.085 (27.56)	1.135 (28.83)
15	1.148 (29.16)	1.198 (30.43)
19	1.357 (34.47)	1.385 (35.18)
21	1.471 (37.36)	1.510 (38.35)

Material/finish

- Shell: SST / see How to Order table
- Insulator: liquid crystal polymer / N.A.
- Interfacial seal: fluorosilicone / N.A.
- Contact: Copper alloy / gold plate
- O-ring: Viton 90 shore / N.A.

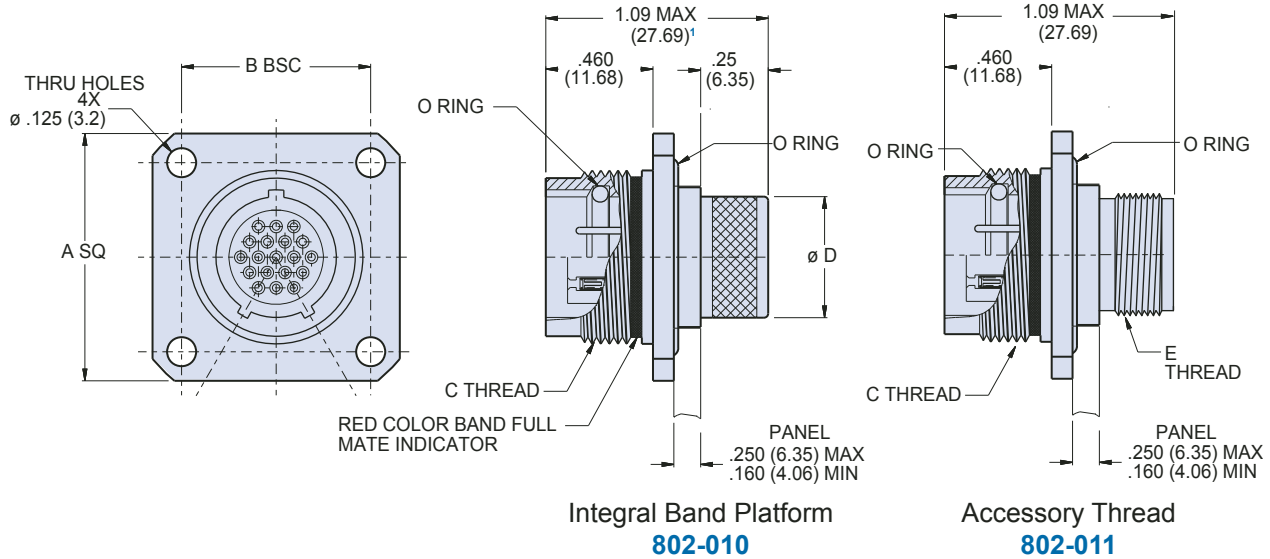
Dimensions in Inches (millimeters) are subject to change without notice.



Series 802 AquaMouse™ 3500 PSI Submersible Receptacle with Crimp Contacts

802-010-02 and 802-011-02 Dimensions

Square flange, front panel mount receptacle - shell style 02



Dimensions

Shell Size	A Square	B Bsc.	C Mating Threads	Ø D	E Accessory Threads	Ø F
5	.885 (22.48)	.500 (12.70)	.4375-28 UNEF	.232 (5.89)	.250-32 UNEF-2A	.327 (8.31)
6	1.010 (25.65)	.625 (15.88)	.5625-20 UN	.312 (7.92)	.312-32 UNEF-2A	.390 (9.91)
7	1.072 (27.23)	.688 (17.48)	.6250-20 UN	.375 (9.52)	.438-28 UNEF-2A	.515 (13.08)
8	1.135 (28.83)	.750 (19.05)	.6875-20 UN	.438 (11.13)	.500-28 UNEF-2A	.577 (14.66)
9	1.195 (30.35)	.812 (20.62)	.7500-20 UNEF	.500 (12.70)	.562-24 UNEF-2A	.640 (16.26)
10	1.260 (32.00)	.875 (22.23)	.8125-20 UNEF	.562 (14.27)	.625-24 UNEF-2A	.702 (17.83)
12	1.323 (33.60)	.938 (23.83)	.8750-20 UNEF	.656 (16.66)	.688-24 UNEF-2A	.765 (19.43)
14	1.510 (38.35)	1.125 (28.58)	1.0625-20 UN	.812 (20.62)	.875-20 UNEF-2A	.953 (24.21)
15	1.573 (39.95)	1.188 (30.18)	1.1250-20 UN	.885 (22.48)	.938-20 UNEF-2A	1.015 (25.78)
21	1.750 (44.45)	1.375 (34.92)	1.4375-20 UN	1.188 (30.18)	1.250-20 UNEF-2A	1.312 (33.32)

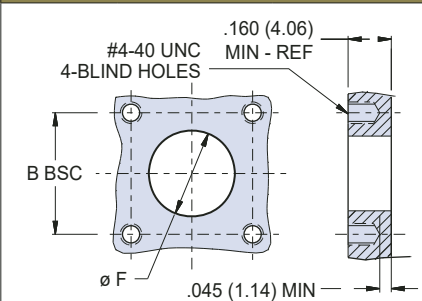
Material/finish

- Shell: SST / see How to Order table
- Insulator: liquid crystal polymer / N.A.
- Interfacial seal: fluorosilicone / N.A.
- Contact: Copper alloy / gold plate
- O-ring: Viton 90 shore / N.A.

Piston O-ring replacement

Shell size	Flange Style 02 O-ring P/N
5	2-012
6	2-014
7	2-015
8	2-016
9	2-017
10	2-018
12	2-019
14	2-022
15	2-023
21	2-028

Series 802 Square Flange Front Panel Mount, Panel Cutout



Shell size	B BSC	Ø F
5	.500 (12.70)	.327 (8.31)
6	.625 (15.88)	.390 (9.91)
7	.688 (17.48)	.515 (13.08)
8	.750 (19.05)	.577 (14.66)
9	.812 (20.62)	.640 (16.26)
10	.875 (22.23)	.702 (17.83)
12	.938 (23.83)	.765 (19.43)
14	1.125 (28.58)	.953 (24.21)
15	1.188 (30.18)	1.015 (25.78)
21	1.375 (34.92)	1.312 (33.32)

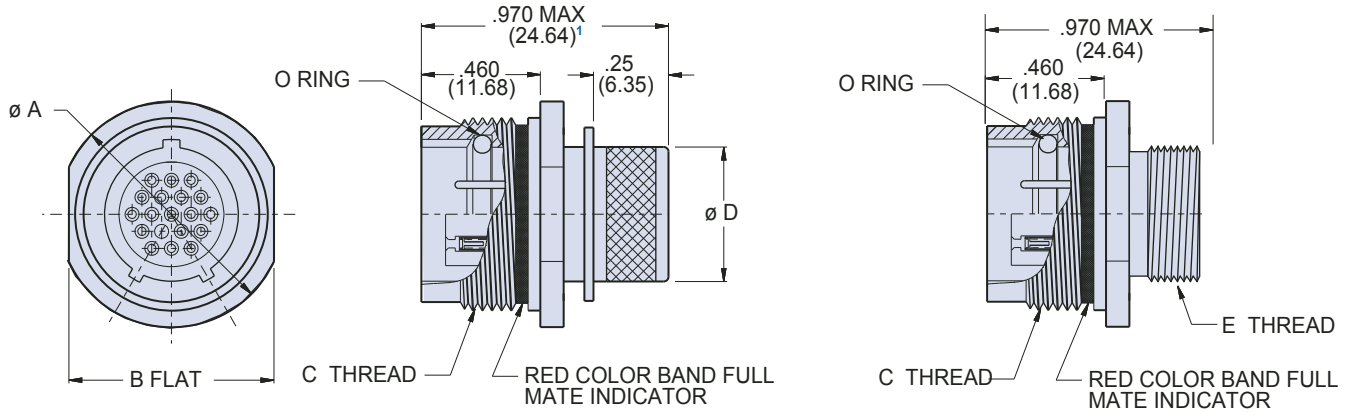
Dimensions in Inches (millimeters) are subject to change without notice.

Series 802 AquaMouse™ 3500 PSI Submersible
 Receptacle with Crimp Contacts
 802-010-1 and 802-011-01 Dimensions



Series 802

In-line receptacle - shell style 01



Integral Band Platform
802-010

Accessory Thread
802-011

Dimensions					
Shell Size	Ø A	B Flats	C Mating Threads	Ø D	E Accessory Threads
5	.560 (14.22)	.500 (12.70)	.4375-28 UNEF	.232 (5.89)	.250-32 UNEF-2A
6	.720 (18.29)	.625 (15.88)	.5625-20 UN	.312 (7.92)	.312-32 UNEF-2A
7	.780 (19.81)	.688 (17.48)	.6250-20 UN	.375 (9.52)	.438-28 UNEF-2A
8	.860 (21.84)	.750 (19.05)	.6875-20 UN	.438 (11.13)	.500-28 UNEF-2A
9	.930 (23.62)	.812 (20.62)	.7500-20 UNEF	.500 (12.70)	.562-24 UNEF-2A
10	1.000 (25.40)	.875 (22.23)	.8125-20 UNEF	.562 (14.27)	.625-24 UNEF-2A
12	1.060 (26.92)	.938 (23.83)	.8750-20 UNEF	.656 (16.66)	.688-24 UNEF-2A
14	1.250 (31.75)	1.125 (28.58)	1.0625-20 UN	.812 (20.62)	.875-20 UNEF-2A
15	1.320 (33.53)	1.188 (30.18)	1.1250-20 UN	.885 (22.48)	.938-20 UNEF-2A
21	1.690 (42.93)	1.562 (39.67)	1.4375-20 UN	1.188 (30.18)	1.250-20 UNEF-2A

Piston O-ring replacement	
Shell size	Piston O-ring P/N
5	2-009
6	5-052
7	5-012
8	5-212
9	2-014
10	2-015
12	2-016
14	2-019
15	2-020
21	2-023

Material/finish

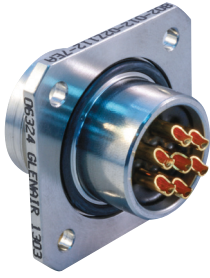
- Shell: SST / see How to Order table
- Insulator: liquid crystal polymer / N.A.
- Interfacial seal: fluorosilicone / N.A.
- Contact: Copper alloy / gold plate
- O-ring: Viton 90 shore / N.A.

Dimensions in Inches (millimeters) are subject to change without notice.



Series 802 AquaMouse™ 3500 PSI Submersible Receptacle with PC Tails or Solder Cups

802-012 and 802-030 Ordering Information



Environmental, PCB Receptacle 802-012 connectors feature low profile shells for minimum protrusion inside enclosures and integral board standoffs. Contacts are non-removable. Specify 802-012 connectors for applications where open face water immersion is not a requirement.

Water Tight PCB Receptacle 802-030 connectors are identical to 802-012 but are specially sealed (“MOD-518”) and 100% tested to maintain a helium leak rate of less than 1×10^{-4} cc/second at one atmosphere pressure differential. Connectors meet MIL-STD-810 Method 512G immersion requirements in unmated/open face condition.

How To Order						
Sample Part Number	802-012	-00	Z1	9-200	P	A
Series	802-012 = Receptacle for Solder Cup or PCB Termination, with Standard Epoxy Potting 802-030 = Receptacle for Solder Cup or PCB Termination, with Special “MOD-518” Sealing for Open Face (Unmated) Water Immersion Requirements. 100% Leak Tested.					
Shell Style (See Table I)	-00 = Jam-Nut, Front Panel Mount -02 = Square Flange, Front Panel Mount -07 = Jam-Nut, Rear Panel Mount					
Shell Material and Finish	Z1 = Stainless Steel / Passivated RoHS Compliant ZM = Stainless Steel/Electroless Nickel Plated AB = Marine Bronze/Unplated					
Shell Size - Insert Arrangement	See Contact Arrangements page E-2 See Section B for PCB Footprints					
Contact Type	P = Pin, PC Tail S = Socket, PC Tail		E = Pin, Solder Cup F = Socket, Solder Cup			
Polarization (See Table II)	A = Normal B = Pos. B C = Pos. C D = Pos. D E = Pos. E F = Pos. F					

E

NOTES

- Contacts are PCB and solder type
- Mates to 802 series receptacle
- Performance capabilities:
 - Current rating: 5 amp max
 - Contact voltage drop: 70 millivolts max at 5 amps, 25°C
 - Hydrostatic pressure rating: 3500 PSI fully mated and properly molded
 - Insulation resistance: 5,000 megohms minimum
 - DWV: 500 VAC
- Electrical safety limits to be set by user peak voltages, switching surges, transients etc. should be used to determine safe application

Table I: Shell Style		
-00 Jam-Nut, Front Panel Mount	-02 Square Flange, Front Panel Mount	-07 Jam-Nut, Rear Panel Mount

Table II: Shell Keyway Positions		
	A°	B°
Position	A°	B°
A (Normal)	150°	210°
B	75°	210°
C	95°	230°
D	140°	275°
E	75°	275°
F	95°	210°

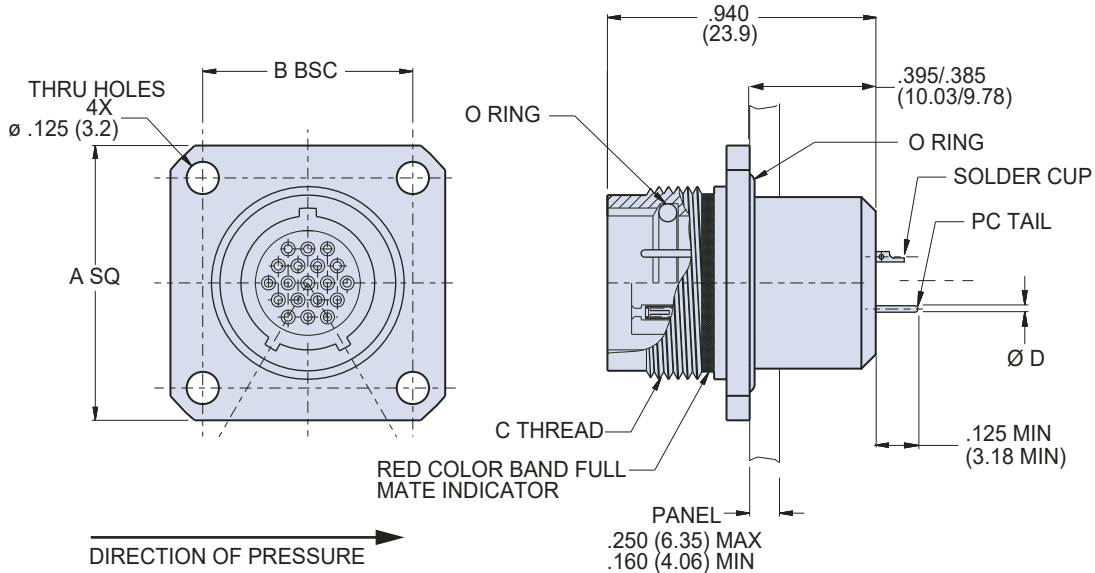
Dimensions in Inches (millimeters) are subject to change without notice.

Series 802 AquaMouse™ 3500 PSI Submersible
 Receptacle with PC Tails or Solder Cups
 802-012-02 and 802-030-02 Dimensions



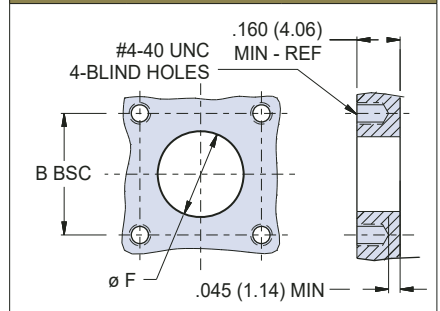
Series 802

Square flange, front panel mount receptacle - shell style 02



Dimensions					
Shell Size	A Square	B BSC	C Mating Threads	ϕ D Tail Dia.	ϕ E
5	.885 (22.48)	.500 (12.70)	.4375-28 UNEF	.018/.022 (0.46/0.56)	.327 (8.31)
6	1.010 (25.65)	.625 (15.88)	.5625-20 UN		.390 (9.91)
7	1.072 (27.23)	.688 (17.48)	.6250-20 UN	#23	.515 (13.08)
8	1.135 (28.83)	.750 (19.05)	.6875-20 UN		.577 (14.66)
9	1.195 (30.35)	.812 (20.62)	.7500-20 UNEF	#20	.640 (16.26)
10	1.260 (32.00)	.875 (22.23)	.8125-20 UNEF		.702 (17.83)
12	1.323 (33.60)	.938 (23.83)	.8750-20 UNEF	#16	.765 (19.43)
14	1.510 (38.35)	1.125 (28.58)	1.0625-20 UN		.953 (24.21)
15	1.573 (39.95)	1.188 (30.18)	1.1250-20 UN	#12	1.015 (25.78)
21	1.750 (44.45)	1.375 (34.92)	1.4375-20 UN		1.312 (33.32)

Series 802 Square Flange Front Panel Mount, Panel Cutout



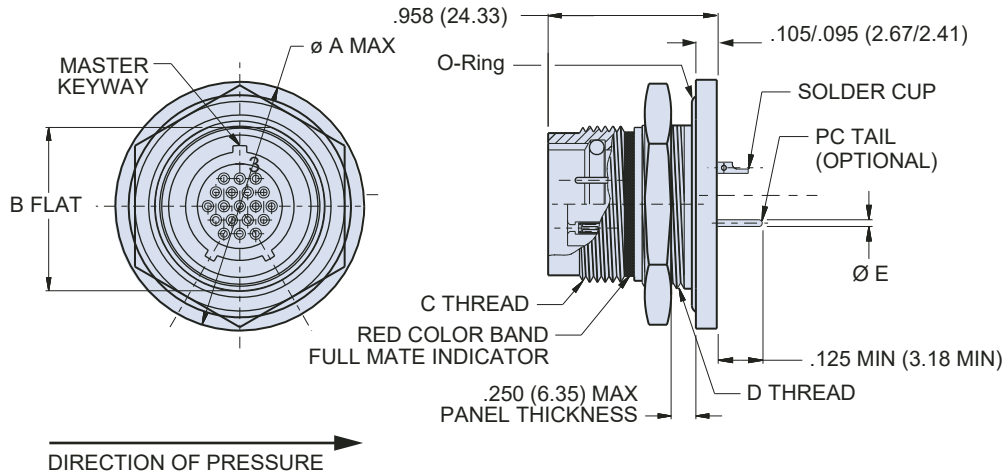
Shell size	B BSC	ϕ F
5	.500 (12.70)	.327 (8.31)
6	.625 (15.88)	.390 (9.91)
7	.688 (17.48)	.515 (13.08)
8	.750 (19.05)	.577 (14.66)
9	.812 (20.62)	.640 (16.26)
10	.875 (22.23)	.702 (17.83)
12	.938 (23.83)	.765 (19.43)
14	1.125 (28.58)	.953 (24.21)
15	1.188 (30.18)	1.015 (25.78)
21	1.375 (34.92)	1.312 (33.32)

Material/finish

- Shell, receptacle: SST / see How to Order table
- Insulator: high grade rigid dielectric
- Interfacial seal: fluorosilicone
- Contact: copper alloy / gold plate per ASTM B 488, Type II Class 1.25, over a suitable underplate
- O-ring: Viton 90 shore / N.A.
- Potting: epoxy

Dimensions in Inches (millimeters) are subject to change without notice.

Jam-nut, rear panel mount receptacle - shell style 07



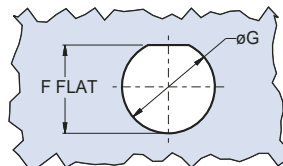
Dimensions

Shell Size	Ø A Max.	B Flat ± .003 (±0.08)	C Mating Threads	D Threads	Ø E Tail Dia.	F Flat ± .003 (±0.08)	Ø G
5	.885 (22.48)	.466 (11.84)	.4375-28 UNEF	.5000-32 UN-2A	#23 .018/.022 (0.46/0.56)	.477 (12.12)	.510 (12.95)
6	1.010 (25.65)	.591 (15.01)	.5625-20 UN	.6250-28 UN-2A		.602 (15.29)	.635 (16.13)
7	1.072 (27.23)	.653 (16.59)	.6250-20 UN	.6875-28 UN-2A		.664 (16.87)	.697 (17.70)
8	1.135 (28.83)	.716 (18.19)	.6875-20 UN	.7500-28 UN-2A	#20 .024/.028 (0.61/0.71)	.727 (18.47)	.760 (19.30)
9	1.195 (30.35)	.778 (19.76)	.7500-20 UNEF	.8125-28 UN-2A		.789 (20.04)	.822 (20.88)
10	1.260 (32.00)	.827 (21.01)	.8125-20 UNEF	.8750-28 UN-2A	#16 .060/.064 (1.52/1.63)	.838 (21.29)	.885 (22.48)
12	1.322 (33.58)	.890 (22.61)	.8750-20 UNEF	.9375-28 UN-2A		.901 (22.89)	.948 (24.08)
14	1.510 (38.35)	1.077 (27.36)	1.0625-20 UN	1.1250-28 UN-2A	#12 .092/.096 (2.34/2.44)	1.088 (27.64)	1.135 (28.83)
15	1.572 (39.93)	1.140 (28.96)	1.1250-20 UN	1.1875-28 UN-2A		1.151 (29.24)	1.198 (30.43)
21	1.940 (49.28)	1.463 (37.16) 1.467 (37.26)	1.4375-20 UN	1.500-28 UN-2A		1.473 (37.41)	1.510 (38.35)

E

Jam-Nut, Rear Panel Mount Panel Cutout Dimensions

Shell Size	F Flat +.005 (+.13) -.000 (-.00)	Ø G
5	.474 (12.04)	.510 (12.95)
6	.599 (15.21)	.635 (16.13)
7	.661 (16.79)	.697 (17.70)
8	.724 (18.39)	.760 (19.30)
9	.786 (19.96)	.822 (20.88)
10	.835 (21.21)	.885 (22.48)
12	.898 (22.81)	.948 (24.08)
14	1.085 (27.56)	1.135 (28.83)
15	1.148 (29.16)	1.198 (30.43)
19	1.357 (34.47)	1.385 (35.18)
21	1.471 (37.36)	1.510 (38.35)



Material/finish

- Shell, receptacle, jam-nut: SST / see How to Order table
- Insulator: high grade rigid dielectric
- Interfacial seal: fluorosilicone
- Contact: copper alloy / gold plate per ASTM B 488, Type II Class 1.25, over a suitable underplate
- O-ring: Viton 90 shore / N.A.
- Potting: epoxy

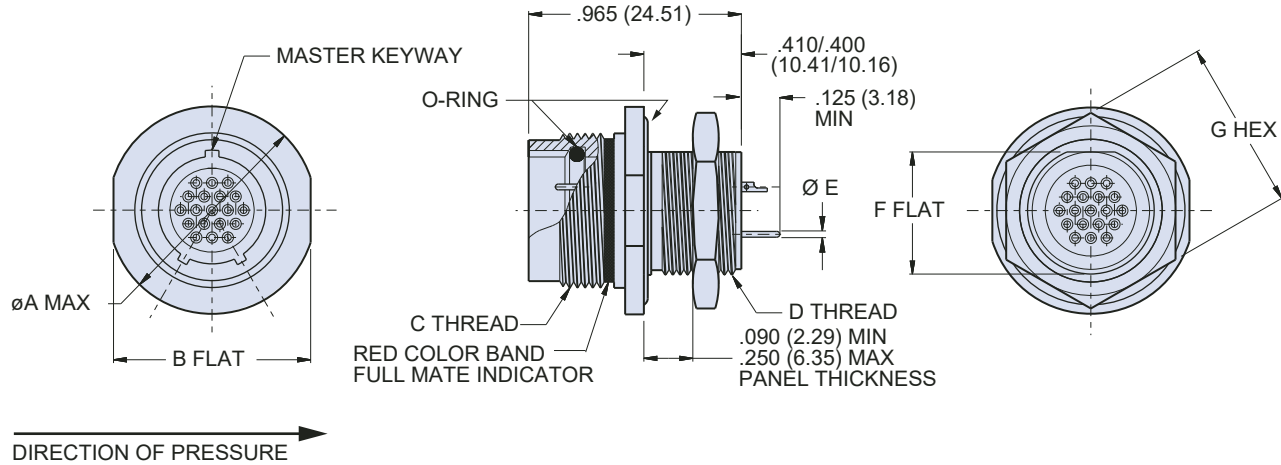
Dimensions in Inches (millimeters) are subject to change without notice.

Series 802 AquaMouse™ 3500 PSI Submersible
Receptacle with PC Tails or Solder Cups
802-012-00 and 802-030-00 Dimensions



Series 802

Jam-nut, front panel mount receptacle - shell style 00



Dimensions							
Shell Size	Ø A Max.	B Flat	C Mating Threads	D Threads	Ø E Tail Dia.	F Flat	G Hex
5	.72 (18.29)	.625 (15.88)	.4375-28 UNEF-2A	.312-28 UN-2A	#23 .018/.022 (0.46/0.56)	.281 (7.14)	.500 (12.70)
6	.78 (19.81)	.750 (19.05)	.5625-20 UN-2A	.438-28 UN-2A		.344 (8.74)	.625 (15.88)
7	.91 (23.11)	.812 (20.62)	.6250-20 UN-2A	.500-32 UN-2A		.469 (11.91)	.688 (17.48)
8	.96 (24.38)	.875 (22.23)	.6875-20 UN-2A	.562-28 UN-2A	#20 .024/.028 (0.61/0.71)	.531 (13.49)	.750 (19.05)
9	1.03 (26.16)	.937 (23.80)	.7500-20 UNEF-2A	.625-28 UN-2A		.594 (15.09)	.812 (20.62)
10	1.09 (27.69)	1.000 (25.40)	.8125-20 UNEF-2A	.687-28 UN-2A	#16 .060/.064 (1.52/1.63)	.656 (16.66)	.875 (22.23)
12	1.16 (29.46)	1.062 (26.97)	.8750-20 UNEF-2A	.750-28 UN-2A		.719 (18.26)	.938 (23.83)
14	1.34 (34.04)	1.250 (31.75)	1.0625-20 UN-2A	.938-28 UN-2A	#12 .092/.096 (2.34/2.44)	.893 (22.68)	1.125 (28.58)
15	1.41 (35.81)	1.312 (33.32)	1.1250-20 UN-2A	1.000-28 UN-2A		.955 (24.26)	1.188 (30.18)
21	1.70 (43.18)	1.562 (39.67)	1.4375-20 UN-2A	1.312-28 UN		1.257 (31.93)	1.500 (38.10)

Material/finish

- Shell, receptacle, jam-nut: SST / see How to Order table
- Insulator: high grade rigid dielectric
- Interfacial seal: fluorosilicone
- Contact: copper alloy / gold plate per ASTM B 488, Type II Class 1.25, over a suitable underplate
- O-ring: Viton 90 shore / N.A.
- Potting: epoxy

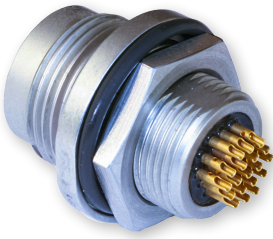
Jam-Nut, Front Panel Mount Panel Cutout Dimensions			
Shell Size	H Flat +.005 (.13) -.000 (-.00)	Ø J	
5	.286 (7.26)	.322 (8.18)	
6	.412 (10.46)	.448 (11.38)	
7	.474 (12.04)	.510 (12.95)	
8	.536 (13.61)	.572 (14.53)	
9	.599 (15.21)	.635 (16.13)	
10	.661 (16.79)	.697 (17.70)	
12	.724 (18.39)	.760 (19.30)	
14	.898 (22.81)	.948 (24.08)	
15	.960 (24.38)	1.010 (25.65)	
19	1.091 (27.71)	1.135 (28.83)	
21	1.263 (32.08)	1.322 (33.58)	

Dimensions in Inches (millimeters) are subject to change without notice.



Series 802 AquaMouse™ 3500 PSI Submersible Hermetic Receptacle with PC Tails or Solder Cups

802-013 Ordering Information



Series 802 Hermetic Receptacles rated to 1×10^{-7} ccHe/second maximum helium leak rate, feature gold plated iron alloy contacts and compression glass dielectric material. The 316 stainless steel connector shell provides excellent corrosion protection. Viton® o-rings offer improved resistance to high temperature and harsh chemicals. Open face (unmated) pressure rating is 1000 PSI. When mated, Series 802 connectors withstand 3500 PSI hydrostatic pressure.

How To Order

Sample Part Number	802-013	-00	Z1	9-200	P	A
Series	802-013 = Hermetic Receptacle					
Shell Style (See Table I)	-00 = Jam-Nut, Front Panel Mount -03 = Weld Mount		-02 = Square Flange, Front Panel Mount -07 = Jam-Nut, Rear Panel Mount			
Shell Material and Finish	Z1 = Stainless Steel / Passivated RoHS Compliant ZL = Stainless Steel / Nickel Plated					
Shell Size - Insert Arrangement	See Contact Arrangements page E-2					
Contact Type	P = Pin, PC Tail D = Socket, PC Tail		E = Pin, Solder Cup S = Socket, Solder Cup			
Polarization (See Table II)	A = Normal B = Pos. B C = Pos. C D = Pos. D E = Pos. E F = Pos. F					

E

NOTES

- Contacts are non-removable, PCB and solder cup type
- Mates to 802 series plugs with same size, arrangement, polarization, and opposite contact gender.
- Performance capabilities:
 - Hydrostatic pressure rating: 1000 PSI open face or 3500 PSI fully mated and properly molded
 - Insulation resistance: 5,000 megohms minimum
 - DWV: per Table III
 - Hermeticity: $< 1 \times 10^{-7}$ ccHe/Se
- Parker O-ring compound V709-90 or equivalent
- Electrical safety limits to be set by user peak voltages, switching surges, transients etc. should be used to determine safe application

Table I: Shell Style

-00 Jam-Nut, Front Panel Mount	-02 Square Flange, Front Panel Mount	-03 Weld Mount	-07 Jam-Nut, Rear Panel Mount

Table II: Key Positions

Key Position	Key Rotation	
	A°	B°
A Normal	150°	210°
B	75°	210°
C	95°	230°
D	140°	275°
E	75°	275°
F	9°	210°

Table III: DWV Rating

Contact Sizes	Test Voltage
23	750 VAC
20HD	1000 VAC
20, 16, 12	1800 VAC

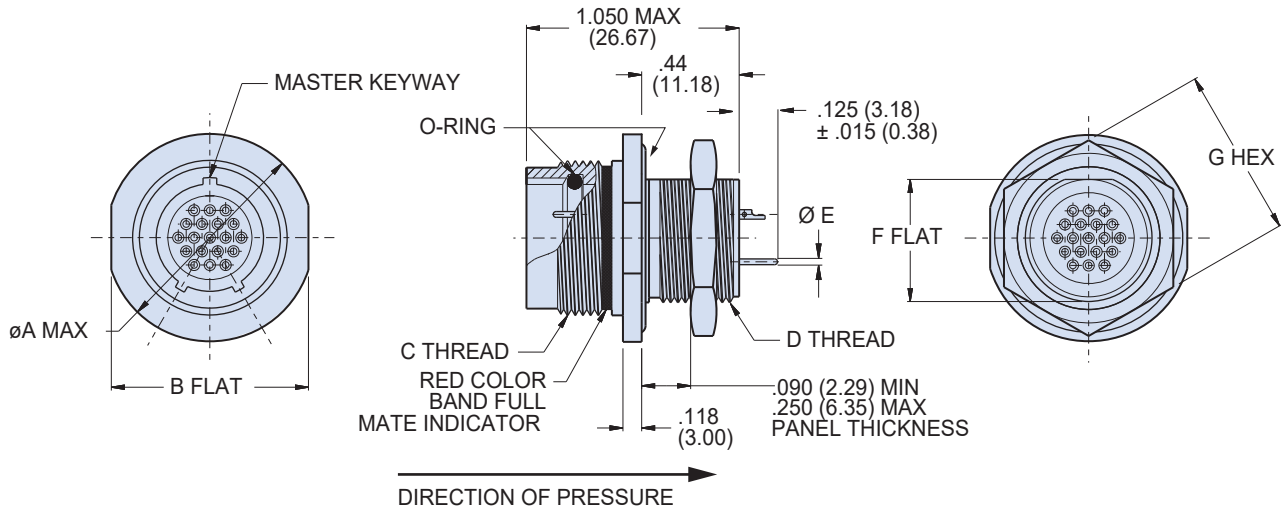
Dimensions in Inches (millimeters) are subject to change without notice.

Series 802 AquaMouse™ 3500 PSI Submersible
Hermetic Receptacle with PC Tails or Solder Cups
802-013-00 Dimensions



Series 802

Hermetic jam-nut, front panel mount receptacle - shell style 00



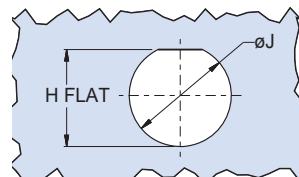
Dimensions							
Shell Size	Ø A Max.	B Flat	C Threads	D Threads	Ø E Tail Dia.	F Flat	G Hex
5	.72 (18.29)	.625 (15.88)	.4375-28 UNEF-2A	.312-28 UN-2A	#23 .018/.022 (0.46/0.56)	.281 (7.14)	.500 (12.70)
6	.78 (19.81)	.750 (19.05)	.5625-20 UN-2A	.438-28 UN-2A		.406 (10.31)	.625 (15.88)
7	.91 (23.11)	.812 (20.62)	.6250-20 UN-2A	.500-32 UN-2A	#20 .024/.028 (0.61/0.71)	.469 (11.91)	.688 (17.48)
8	.96 (24.38)	.875 (22.23)	.6875-20 UN-2A	.562-28 UN-2A		.531 (13.49)	.750 (19.05)
9	1.03 (26.16)	.937 (23.80)	.7500-20 UNEF-2A	.625-20 UN-2A	#16 .060/.064 (1.52/1.63)	.594 (15.09)	.812 (20.62)
10	1.09 (27.69)	1.000 (25.40)	.8125-20 UNEF-2A	.687-28 UN-2A		.656 (16.66)	.875 (22.23)
12	1.16 (29.46)	1.062 (26.97)	.8750-20 UNEF-2A	.750-28 UN-2A	#12 .092/.096 (2.34/2.44)	.719 (18.26)	.938 (23.83)
14	1.34 (34.04)	1.250 (31.75)	1.0625-20 UN-2A	.938-28 UN-2A		.893 (22.68)	1.125 (28.58)
15	1.41 (35.81)	1.312 (33.32)	1.1250-20 UN-2A	1.000-28 UN-2A	.955 (24.26)	1.188 (30.18)	
21	1.70 (43.18)	1.562 (39.67)	1.4375-20 UN-2A	1.312-28 UN-2A	1.257 (31.93)	1.500 (38.10)	

*Tolerance applies to shell sizes 5 thru 15

Material/finish

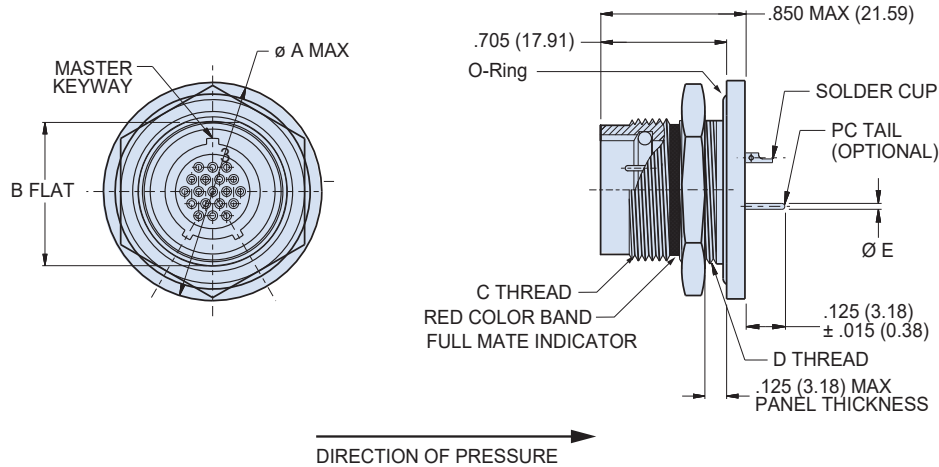
- Shell, receptacle, jam-nut: SST / See How to Order table
- Insulator, hermetic: full glass
- Insulator, socket: high grade rigid dielectric
- Interfacial seal: fluorosilicone
- Contact hermetic: alloy 52 / gold plate
- Contact: copper alloy / gold plate per ASTM B 488, Type II Class 1.25, over a suitable underplate
- O-ring: Viton 90 shore / N.A.
- Potting: epoxy, except weld mount (03) style

Jam-Nut, Front Panel Mount Panel Cutout Dimensions			
Shell Size	H Flat		Ø J
	+ .005 (.13)	- .000 (-.00)	
5	.286 (7.26)		.322 (8.18)
6	.412 (10.46)		.448 (11.38)
7	.474 (12.04)		.510 (12.95)
8	.536 (13.61)		.572 (14.53)
9	.599 (15.21)		.635 (16.13)
10	.661 (16.79)		.697 (17.70)
12	.724 (18.39)		.760 (19.30)
14	.898 (22.81)		.948 (24.08)
15	.960 (24.38)		1.010 (25.65)
19	1.091 (27.71)		1.135 (28.83)
21	1.263 (32.08)		1.322 (33.58)



Dimensions in Inches (millimeters) are subject to change without notice.

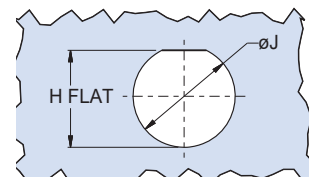
Hermetic jam-nut, rear panel mount receptacle - shell style 07



E

Dimensions					
Shell Size	A Max.	B Flat	C Threads	D Threads	Ø E Tail Dia.
5	.885 (22.48)	.469 (11.91) .463 (11.76)	.438-28 UNEF	.500-32 UN-2A	#23 .018/.022 (0.46/0.56)
6	1.010 (25.65)	.594 (15.09) .588 (14.94)	.562-20 UN	.625-20 UN-2A	
7	1.072 (27.23)	.656 (16.66) .650 (16.51)	.625-20 UN	.687-28 UN-2A	
8	1.135 (28.83)	.729 (18.52) .725 (18.42)	.687-20 UN	.750-28 UN-2A	
9	1.195 (30.35)	.781 (19.84) .775 (19.68)	.750-20 UNEF	.812-28 UN-2A	
10	1.260 (32.00)	.830 (21.08) .824 (20.93)	.812-20 UNEF	.875-28 UN-2A	
12	1.322 (33.58)	.893 (22.68) .887 (22.53)	.875-20 UNEF	.938-28 UN-2A	
14	1.510 (38.35)	1.080 (27.43) 1.074 (27.28)	1.062-20 UN	1.125-28 UN-2A	
15	1.572 (39.93)	1.143 (29.03) 1.137 (28.88)	1.125-20 UN	1.188-28 UN-2A	
21	1.940 (49.28)	1.467 (37.26) 1.463 (37.16)	1.4375-20 UN	1.500-28 UN-2A	
					#12 .092/.096 (2.34/2.44)

Jam-Nut, Rear Panel Mount Panel Cutout Dimensions



Shell Size	H Flat	Ø J
	+.004 (.10) -.000 (-.00)	+.005 (.13) -.000 (-.00)
5	.471 (11.96)	.505 (12.83)
6	.601 (15.27)	.630 (16.00)
7	.660 (16.76)	.693 (17.60)
8	.712 (18.08)	.755 (19.18)
9	.783 (19.89)	.817 (20.75)
10	.833 (21.16)	.880 (22.35)
12	.897 (22.78)	.943 (23.95)
14	1.083 (27.51)	1.130 (28.70)
15	1.153 (29.29)	1.193 (30.30)

Material/finish

- Shell, receptacle, jam-nut: SST / See How to Order table
- Insulator, hermetic: full glass
- Insulator, socket: high grade rigid dielectric
- Interfacial seal: fluorosilicone
- Contact hermetic: alloy 52 / gold plate
- Contact: copper alloy / gold plate per ASTM B 488, Type II Class 1.25, over a suitable underplate
- O-ring: Viton 90 shore / N.A.
- Potting: epoxy, except weld mount (03) style

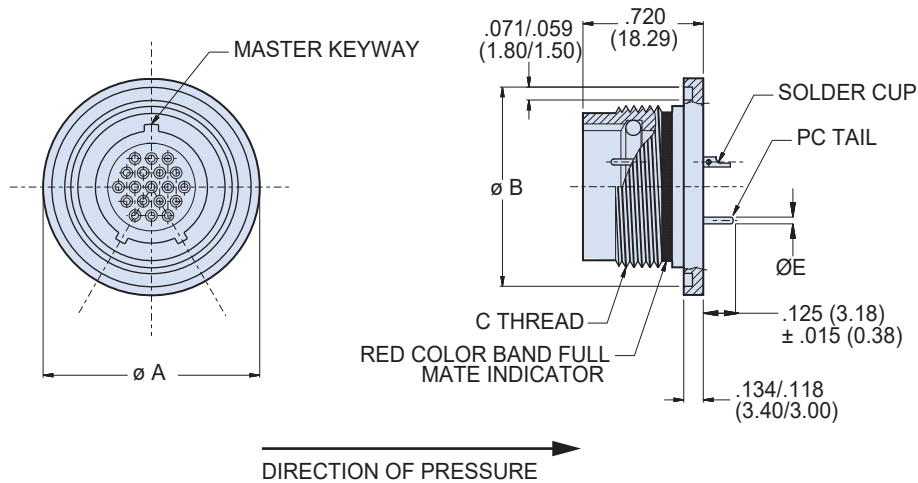
Dimensions in Inches (millimeters) are subject to change without notice.

Series 802 AquaMouse™ 3500 PSI Submersible
Hermetic Receptacle with PC Tails or Solder Cups
802-013-03 Dimensions



Series 802

Hermetic weld mount receptacle - shell style 03



Dimensions				
Shell Size	Ø A	Ø B	C Mating Threads	Ø E Tail Dia.
5	.790 (20.07)	.751 (19.08)	.438-28 UNEF	#23 .018/.022 (0.46/0.56) #20 .024/.028 (0.61/0.71) #16 .060/.064 (1.52/1.63) #12 .092/.096 (2.34/2.44)
	.786 (19.96)	.739 (18.77)		
6	.914 (23.22)	.875 (22.23)	.562-20 UN	
	.910 (23.11)	.863 (21.92)		
7	.977 (24.82)	.939 (23.85)	.625-20 UN	
	.973 (24.71)	.927 (23.55)		
8	1.040 (26.42)	1.001 (25.43)	.687-20 UN	
	1.036 (26.31)	.989 (25.12)		
9	1.102 (27.99)	1.063 (27.00)	.750-20 UNEF	
	1.098 (27.89)	1.051 (26.70)		
10	1.164 (29.57)	1.125 (28.58)	.812-20 UNEF	
	1.160 (29.46)	1.113 (28.27)		
12	1.227 (31.17)	1.188 (30.18)	.875-20 UNEF	
	1.223 (31.06)	1.176 (29.87)		
14	1.414 (35.92)	1.375 (34.92)	1.062-20 UN	
	1.410 (35.81)	1.363 (34.62)		
15	1.477 (37.52)	1.438 (36.53)	1.125-20 UN	
	1.473 (37.41)	1.426 (36.22)		
21	1.797 (45.64)	1.750 (44.45)	1.4375-20 UN	
	1.793 (45.54)	1.744 (44.30)		

Material/finish

- Shell, receptacle: SST / see How to Order table
- Insulator, hermetic: full glass
- Insulator, socket: high grade rigid dielectric
- Interfacial seal: fluorosilicone
- Contact hermetic: alloy 52 / gold plate
- Contact: copper alloy / gold plate per ASTM B 488, Type II Class 1.25, over a suitable underplate
- O-ring: Viton 90 shore / N.A.
- Potting: epoxy, except weld mount (03) style

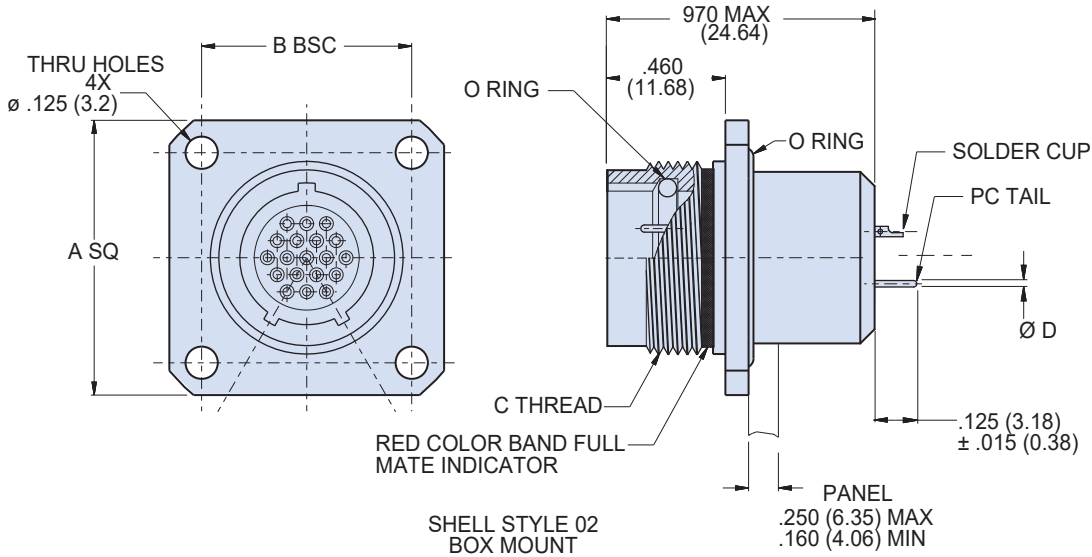
Dimensions in Inches (millimeters) are subject to change without notice.



Series 802 AquaMouse™ 3500 PSI Submersible Hermetic Receptacle with PC Tails or Solder Cups

802-013-02 Dimensions

Hermetic box mount, front panel mount receptacle - shell style 02



SHELL STYLE 02
BOX MOUNT

Dimensions					
Shell Size	A Square	B Bsc.	C Thread	Ø D Tail Dia.	Ø E
5	.885 (22.48)	.500 (12.70)	.438-28 UNEF	#23 .018/.022 (0.46/0.56)	.327 (8.31)
6	1.010 (25.65)	.625 (15.88)	.562-20 UN		.390 (9.91)
7	1.072 (27.23)	.688 (17.48)	.625-20 UN		.515 (13.08)
8	1.135 (28.83)	.750 (19.05)	.687-20 UN	#20 .024/.028 (0.61/0.71)	.577 (14.66)
9	1.195 (30.35)	.812 (20.62)	.750-20 UNEF		.640 (16.26)
10	1.260 (32.00)	.875 (22.23)	.812-20 UNEF	#16 .060/.064 (1.52/1.63)	.702 (17.83)
12	1.323 (33.60)	.938 (23.83)	.875-20 UNEF		.765 (19.43)
14	1.510 (38.35)	1.125 (28.58)	1.062-20 UN	#12 .092/.096 (2.34/2.44)	.953 (24.21)
15	1.573 (39.95)	1.188 (30.18)	1.125-20 UN		1.015 (25.78)
21	1.750 (44.45)	1.375 (34.92)	1.4375-20 UN		1.312 (33.32)

Square Flange Panel Cutout		
	.160 (4.06) MIN - REF	
	.045 (1.14) MIN	
	Ø E	
	B BSC	
	#4-40 UNC 4-BLIND HOLES	
Shell Size	B BSC	Ø E
5	.500 (12.70)	.327 (8.31)
6	.625 (15.88)	.390 (9.91)
7	.688 (17.48)	.515 (13.08)
8	.750 (19.05)	.577 (14.66)
9	.812 (20.62)	.640 (16.26)
10	.875 (22.23)	.702 (17.83)
12	.938 (23.83)	.765 (19.43)
14	1.125 (28.58)	.953 (24.21)
15	1.188 (30.18)	1.015 (25.78)
21	1.375 (34.92)	1.312 (33.32)

Material/finish

- Shell, receptacle, jam-nut: SST / see How to Order table
- Insulator, hermetic: full glass
- Insulator, socket: high grade rigid dielectric
- Interfacial seal: fluorosilicone
- Contact hermetic: alloy 52 / gold plate
- Contact: copper alloy / gold plate per ASTM B 488, Type II Class 1.25, over a suitable underplate
- O-ring: Viton 90 shore / N.A.
- Potting: epoxy, except weld mount (03) style

Dimensions in Inches (millimeters) are subject to change without notice.

Series 802 AquaMouse™ 3500 PSI Submersible Hermetic Coax Receptacle, 1000 PSI Open Face Rated

802-040 Ordering Information



Series 802



Front Panel Mount Jam-Nut

Series 802 Hermetic Receptacles feature stainless steel shells for excellent corrosion resistance, fused glass insulators and gold plated, nickel-iron alloy contacts. 1000 PSI open face rated. Tested for maximum helium leak rate of 1×10^{-7} cc/second.

Size 12 or 16 Coax Contacts up to 9 size #16 or 8 size #12 single contact arrangements plus 9 size #12 or 7 size #16 combo arrangements also available.

Four Shell Styles: front panel mount jam-nut, front panel mount square flange, weld mount and rear panel mount jam-nut.

Cable Adapters with Crimp Rings provided with each connector for reliable cable termination.

How to Order	
Sample Part Number	802-040 -07 Z1 12-3 P A -01
Series	802-040 = Hermetic Receptacle
Shell Style (See Table I)	-00 = Jam-Nut, Front Panel Mount -02 = Square Flange, Front Panel Mount -03 = Weld Mount -07 = Jam-Nut, Rear Panel Mount
Shell Material and Finish ⁶	Z1 = Stainless Steel / Passivated (RoHS) ZL = Stainless Steel / Nickel Plated
Shell Size - Insert Arrangement	See Contact Arrangements page C-4
Contact Type	P = Pin, Co-Ax S = Socket, Co-Ax
Polarization (Table II)	A, B, C, D, E, F; (See Keyway Positions)
Cable Attachment (See Table III)	-01, -02, -03, -04, -05, -06; see Table IV

NOTES

- Mates to 802 series plugs with same size, arrangement, polarization, and opposite contact gender.
- Performance capabilities:
 - Hydrostatic pressure rating: 1000 PSI open face or 3500 PSI fully mated and properly molded
 - Insulation resistance: 5,000 megohms minimum
 - DWV: per Table III
 - Hermeticity: $<1 \times 10^{-7}$ ccHe/Se
- Parker O-ring compound V709-90 or equivalent
- Electrical safety limits to be set by user peak voltages, switching surges, transients etc. should be used to determine safe application
- Titanium and Inconel® shell materials are available. Consult factory for ordering information.

Table I: Shell Style			
-00 Front Panel Mount, Jam-Nut	-02 Square Flange	-03 Weld Mount	-07 Rear Panel Mount, Jam-Nut

Table II: Keyway Positions		
Key Position	Key Rotation	
	A°	B°
A Normal	150°	210°
B	75°	210°
C	95°	230°
D	140°	275°
E	75°	275°
F	9°	210°

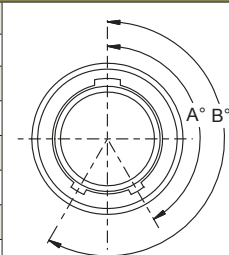


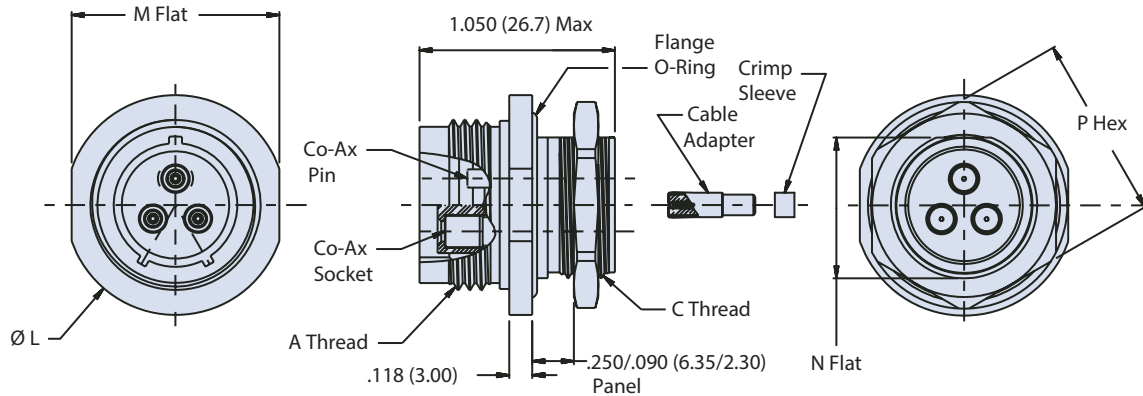
Table III: Cable Attachment	
Dash No.	Cables Accommodated
-01	M17/113-RG316
-02	M17/152-00001 (RG316DS)
-03	M17/93-RG178
-04	RG-178 double shield per DSCC 06017
-05	M17/94-RG179
-06	PIC 73263, 75 OHM cable

DWV Rating	
Contact Sizes	Test Voltage
23	750 VAC
20HD	1000 VAC
20, 16, 12	18000 VAC

Dimensions in Inches (millimeters) are subject to change without notice.

Series 802 AquaMouse™ 3500 PSI Submersible Coax Hermetic Receptacle, 1000 PSI Open Face Rated 802-040-00 Dimensions

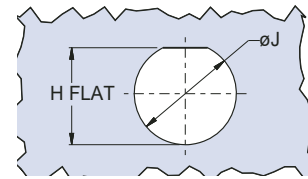
Hermetic jam-nut, front panel mount receptacle - shell style 00



Dimensions

Shell Size	L Max.	M Flat	A Mating Threads	C Threads	N Flat	P Hex
5	.720 (18.29)	.625 (15.88)	.438-28 UNEF-2A	.312-28 UN-2A	.281 (7.14)	.500 (12.70)
6	.780 (19.81)	.750 (19.05)	.562-20 UN-2A	.438-28 UN-2A	.344 (8.74)	.625 (15.88)
7	.910 (23.11)	.812 (20.62)	.625-20 UN-2A	.500-32 UN-2A	.469 (11.91)	.688 (17.48)
8	.960 (24.38)	.875 (22.23)	.687-20 UN-2A	.562-28 UN-2A	.531 (13.49)	.750 (19.05)
9	1.030 (26.16)	.937 (23.80)	.750-20 UNEF-2A	.625-20 UN-2A	.594 (15.09)	.812 (20.62)
10	1.090 (27.69)	1.000 (25.40)	.812-20 UNEF-2A	.687-28 UN-2A	.656 (16.66)	.875 (22.23)
12	1.160 (29.46)	1.062 (26.97)	.875-20 UNEF-2A	.750-28 UN-2A	.719 (18.26)	.938 (23.83)
14	1.340 (34.04)	1.250 (31.75)	1.062-20 UN-2A	.938-28 UN-2A	.893 (22.68)	1.125 (28.58)
15	1.410 (35.81)	1.312 (33.32)	1.125-20 UN-2A	1.000-28 UN-2A	.955 (24.26)	1.188 (30.18)
21	1.700 (43.18)	1.562 (39.67)	1.4375-20 UN-2A	1.312-28 UN-2A	1.257 (31.93)	1.500 (38.10)

**Jam-Nut, Front Panel Mount Panel
Cutout Dimensions**



Shell Size	H Flat +.005 (.13) -.000 (-.00)	Ø J
5	.286 (7.26)	.322 (8.18)
6	.412 (10.46)	.448 (11.38)
7	.474 (12.04)	.510 (12.95)
8	.536 (13.61)	.572 (14.53)
9	.599 (15.21)	.635 (16.13)
10	.661 (16.79)	.697 (17.70)
12	.724 (18.39)	.760 (19.30)
14	.898 (22.81)	.948 (24.08)
15	.960 (24.38)	1.010 (25.65)
19	1.091 (27.71)	1.135 (28.83)
21	1.263 (32.08)	1.322 (33.58)

Material/finish

- Shell, jam-nut: SST / See How to Order Table
- Insulator, hermetic: full glass
- Insulator, socket: high grade rigid dielectric
- Interfacial seal: fluorosilicone blend
- Contact, hermetic: nickel-iron alloy / gold plate
- Contact, socket: copper alloy / gold plated per ASTM B 488, Type II Class 1.25, over a suitable underplate
- O-ring: Viton, 90 shore / N.A.
- Cable adapter, crimp sleeve: copper alloy / gold plated

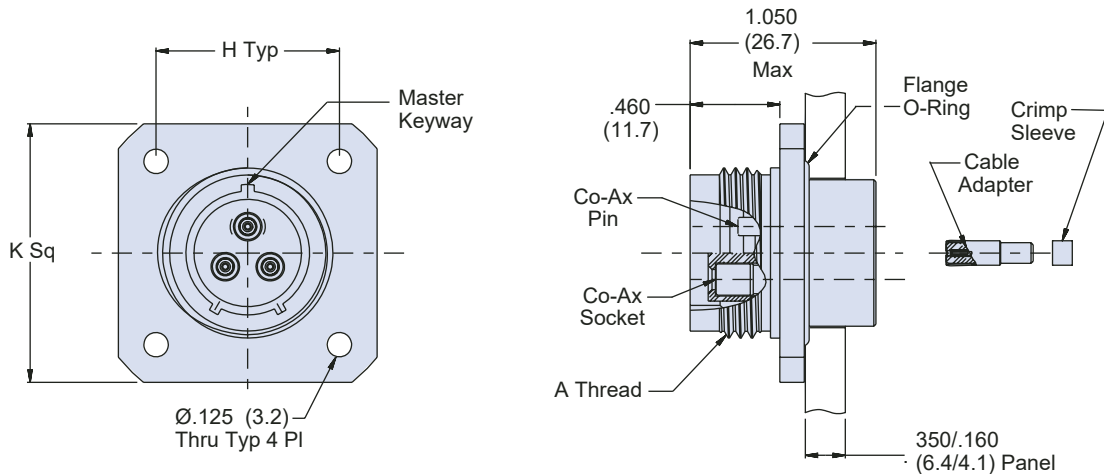
Dimensions in Inches (millimeters) are subject to change without notice.

Series 802 AquaMouse™ 3500 PSI Submersible
Coax Hermetic Receptacle, 1000 PSI Open Face Rated
802-040-02 Dimensions



Series 802

Hermetic square flange, front panel mount receptacle - shell style 02



Dimensions				
Shell Size	K Square	H Bsc.	A Mating Threads	Ø E
5	.885 (22.48)	.500 (12.70)	.438-28 UNEF	.327 (8.31)
6	1.010 (25.65)	.625 (15.88)	.562-20 UN	.390 (9.91)
7	1.072 (27.23)	.688 (17.48)	.625-20 UN	.515 (13.08)
8	1.135 (28.83)	.750 (19.05)	.687-20 UN	.577 (14.66)
9	1.195 (30.35)	.812 (20.62)	.750-20 UNEF	.640 (16.26)
10	1.260 (32.00)	.875 (22.23)	.812-20 UNEF	.702 (17.83)
12	1.323 (33.60)	.938 (23.83)	.875-20 UNEF	.765 (19.43)
14	1.510 (38.35)	1.125 (28.58)	1.062-20 UN	.953 (24.21)
15	1.573 (39.95)	1.188 (30.18)	1.125-20 UN	1.015 (25.78)
21	1.750 (44.45)	1.375 (34.92)	1.4375-20 UN	1.312 (33.32)

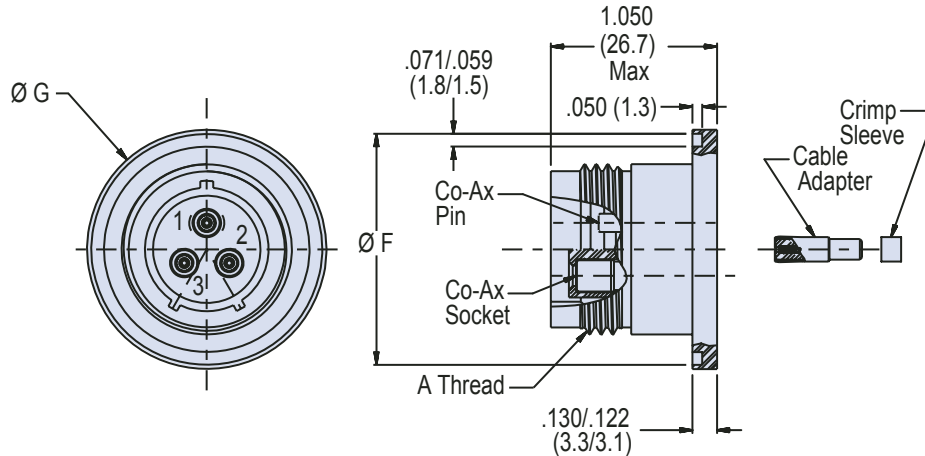
Square Flange Panel Cutout		
Shell Size	B BSC	Ø E
5	.500 (12.70)	.327 (8.31)
6	.625 (15.88)	.390 (9.91)
7	.688 (17.48)	.515 (13.08)
8	.750 (19.05)	.577 (14.66)
9	.812 (20.62)	.640 (16.26)
10	.875 (22.23)	.702 (17.83)
12	.938 (23.83)	.765 (19.43)
14	1.125 (28.58)	.953 (24.21)
15	1.188 (30.18)	1.015 (25.78)
21	1.375 (34.92)	1.312 (33.32)

Material/finish

- Shell : SST / See How to Order Table
- Insulator, hermetic: full glass
- Insulator, socket: high grade rigid dielectric
- Interfacial seal: fluorosilicone blend
- Contact, hermetic: nickel-iron alloy / gold plate
- Contact, socket: copper alloy / gold plated per ASTM B 488, Type II Class 1.25, over a suitable underplate
- O-ring: Viton, 90 shore / N.A.
- Cable adapter, crimp sleeve: copper alloy / gold plated

Dimensions in Inches (millimeters) are subject to change without notice.

Hermetic weld mount receptacle - shell style 03



Dimensions			
Shell Size	$\varnothing G$ $\pm .006 (\pm 0.15)$	$\varnothing F$ $\pm .006 (\pm 0.15)$	A Mating Threads
5	.788 (20.02)	.745 (18.92)	.438-28 UNEF
6	.912 (23.16)	.869 (22.07)	.562-20 UN
7	.975 (24.76)	.933 (23.70)	.625-20 UN
8	1.038 (26.37)	.995 (25.27)	.687-20 UN
9	1.100 (27.94)	1.057 (26.85)	.750-20 UNEF
10	1.162 (29.51)	1.119 (28.42)	.812-20 UNEF
12	1.225 (31.12)	1.182 (30.02)	.875-20 UNEF
14	1.412 (35.86)	1.369 (34.77)	1.062-20 UN
15	1.475 (37.47)	1.432 (36.37)	1.125-20 UN
21	1.795 (45.59)	1.747 (44.37)	1.4375-20 UN

Material/finish

- Shell: SST / See How to Order Table
- Insulator, hermetic: full glass
- Insulator, socket: high grade rigid dielectric
- Interfacial seal: fluorosilicone blend
- Contact, hermetic: nickel-iron alloy / gold plate
- Contact, socket: copper alloy / gold plated per ASTM B 488, Type II Class 1.25, over a suitable underplate
- O-ring: Viton, 90 shore / N.A.
- Cable adapter, crimp sleeve: copper alloy / gold plated

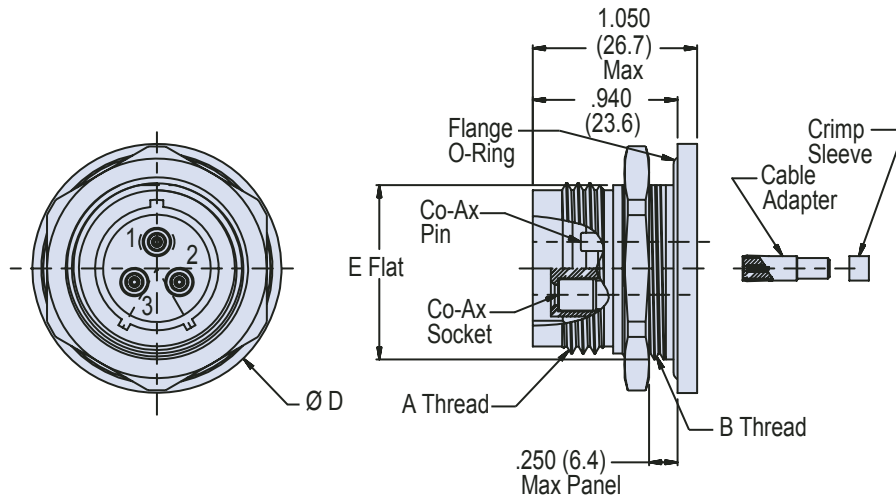
Dimensions in Inches (millimeters) are subject to change without notice.

Series 802 AquaMouse™ 3500 PSI Submersible
Coax Hermetic Receptacle, 1000 PSI Open Face Rated
802-040-07 Dimensions



Series 802

Hermetic jam-nut, front panel mount receptacle - shell style 07



Dimensions				
Shell Size	D Max.	E Flat ± .003 (± 0.08)	A Mating Threads	B Threads
5	.885 (22.48)	.466 (11.84)	.438-28 UNEF	.500-32 UN-2A
6	1.010 (25.65)	.591 (15.01)	.562-20 UN	.625-20 UN-2A
7	1.072 (27.23)	.653 (16.59)	.625-20 UN	.687-28 UN-2A
8	1.135 (28.83)	.716 (18.19)	.687-20 UN	.750-28 UN-2A
9	1.195 (30.35)	.778 (19.76)	.750-20 UNEF	.812-28 UN-2A
10	1.260 (32.00)	.827 (21.01)	.812-20 UNEF	.875-28 UN-2A
12	1.322 (33.58)	.890 (22.61)	.875-20 UNEF	.938-28 UN-2A
14	1.510 (38.35)	1.077 (27.36)	1.062-20 UN	1.125-28 UN-2A
15	1.572 (39.93)	1.140 (28.96)	1.125-20 UN	1.188-28 UN-2A
21	1.940 (49.28)	1.464 (37.19)	1.4375-20 UN	1.500-28 UN-2A

Jam-Nut, Front Panel Mount Panel Cutout Dimensions		
	H Flat	Ø J
	+ .005 (.13) - .000 (-.00)	
5	.286 (7.26)	.322 (8.18)
6	.412 (10.46)	.448 (11.38)
7	.474 (12.04)	.510 (12.95)
8	.536 (13.61)	.572 (14.53)
9	.599 (15.21)	.635 (16.13)
10	.661 (16.79)	.697 (17.70)
12	.724 (18.39)	.760 (19.30)
14	.898 (22.81)	.948 (24.08)
15	.960 (24.38)	1.010 (25.65)
19	1.091 (27.71)	1.135 (28.83)
21	1.263 (32.08)	1.322 (33.58)

Material/finish

- Shell, jam-nut: SST / See How to Order Table
- Insulator, hermetic: full glass
- Insulator, socket: high grade rigid dielectric
- Interfacial seal: fluorosilicone blend
- Contact, hermetic: nickel-iron alloy / gold plate
- Contact, socket: copper alloy / gold plated per ASTM B 488, Type II Class 1.25, over a suitable underplate
- O-ring: Viton, 90 shore / N.A.
- Cable adapter, crimp sleeve: copper alloy / gold plated

Dimensions in Inches (millimeters) are subject to change without notice.



Series 802 AquaMouse™ 3500 PSI Submersible Hermetic Receptacle with Removable Crimp Termination

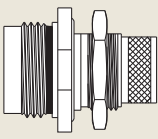
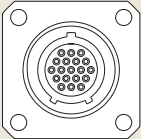
802-056 Ordering Information

Series 802 Hermetic Receptacles feature gold plated nickel-iron alloy contacts and compression glass dielectric material. The 316 series stainless steel connector shell provides excellent corrosion protection and is suitable for e-beam welding. Viton® O-rings offer improved resistance to high temperature and harsh chemicals.

Hermeticity less than 1×10^{-7} cc/Second at 1 ATM. Open face (unmated) pressure rating is 1000 PSI. When mated, Series 802 connectors withstand 3500 PSI hydrostatic pressure.

How To Order						
Sample Part Number	802-056	-07	Z1	6-7	P	A
Series	802-056 = Hermetic Receptacle					
Shell Style (See Table I)	-00 = Jam-Nut, Front Panel Mount -02 = Square Flange, Front Panel Mount -07 = Jam-Nut, Rear Panel Mount					
Shell Material and Finish	Z1 = Stainless Steel / Passivated (RoHS) ZL = Stainless Steel / Nickel Plated					
Shell Size - Insert Arrangement	See Contact Arrangements page E-2					
Contact Type	P = Pin, Face S = Socket, Face					
Polarization (See Table II)	A = Normal B = Pos. B C = Pos. C D = Pos. D E = Pos. E F = Pos. F					

Table I: Shell Style

		
-00 Jam-Nut for Front Panel Mounting	-02 Square Flange	-07 Jam-Nut for Rear Panel Mounting

NOTES

- Socket contacts for termination are shipped loose with parts
- Mates to 802 series plugs
- Performance capabilities:
 - Hydrostatic pressure rating: 1000 PSI open face, 3500 PSI fully mated and properly molded
 - Insulation resistance (test): 5,000 megohms @ 500 VDC minimum
 - Dielectric withstanding voltage (test): See Table III
 - Hermeticity: less than 1×10^{-7} cc/sec @ 1 ATM delta P
- Parker O-ring compound V709-90 or equivalent

Table II: Key Positions

Key Position	Key Rotation	
	A°	B°
A Normal	150°	210°
B	75°	210°
C	95°	230°
D	140°	275°
E	75°	275°
F	95°	210°

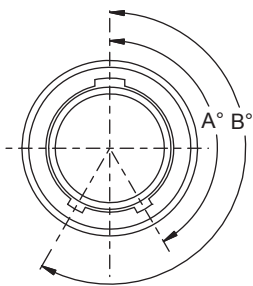


Table III: DWV Rating by Contact

23	500 VAC
23 HD	750 VAC
20, 16, 12	1800 VAC

Material/Finish

- Shell, jam-nut: SST / see part number development
- Insulator, hermetic: full glass
- Insulator, socket: high-grade rigid dielectric
- Seals, grommet: fluorosilicone
- Contact, hermetic: alloy 52/gold plate
- Contact, socket: copper alloy/gold plate
- O-rings: viton/90 shore

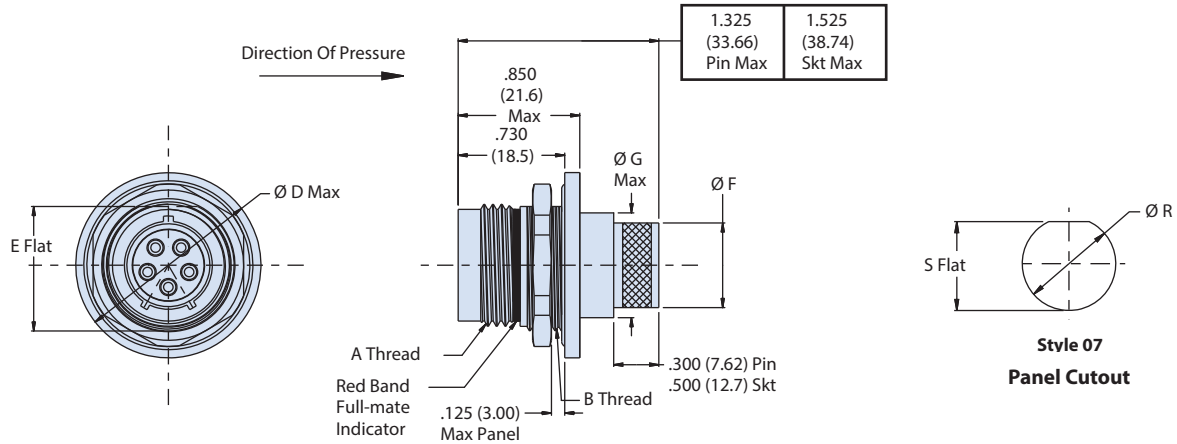
Dimensions in Inches (millimeters) are subject to change without notice.

Series 802 AquaMouse™ 3500 PSI Submersible
Hermetic Receptacle with Removable Crimp Termination
802-056 Dimensions

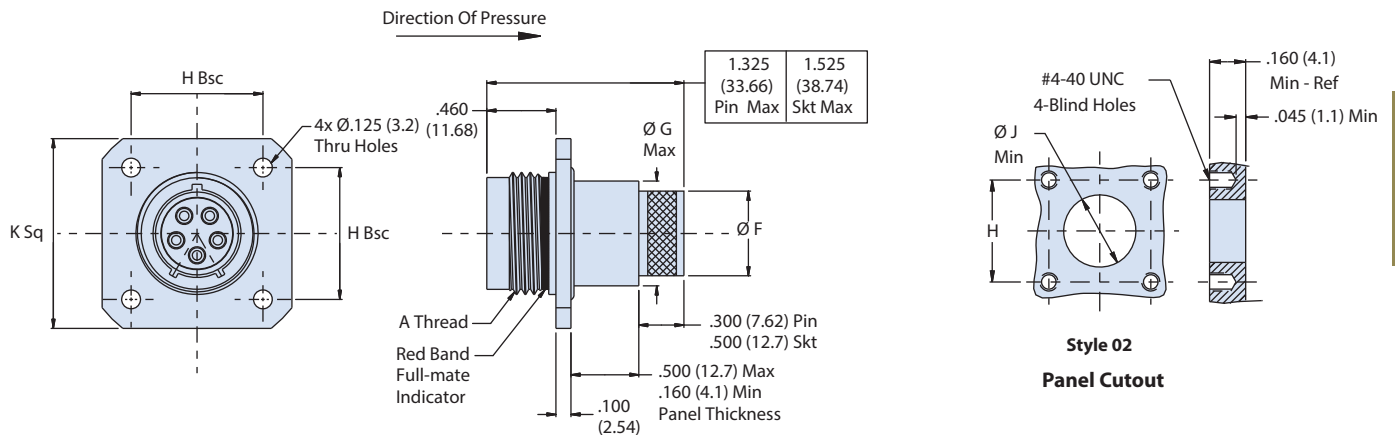


Series 802

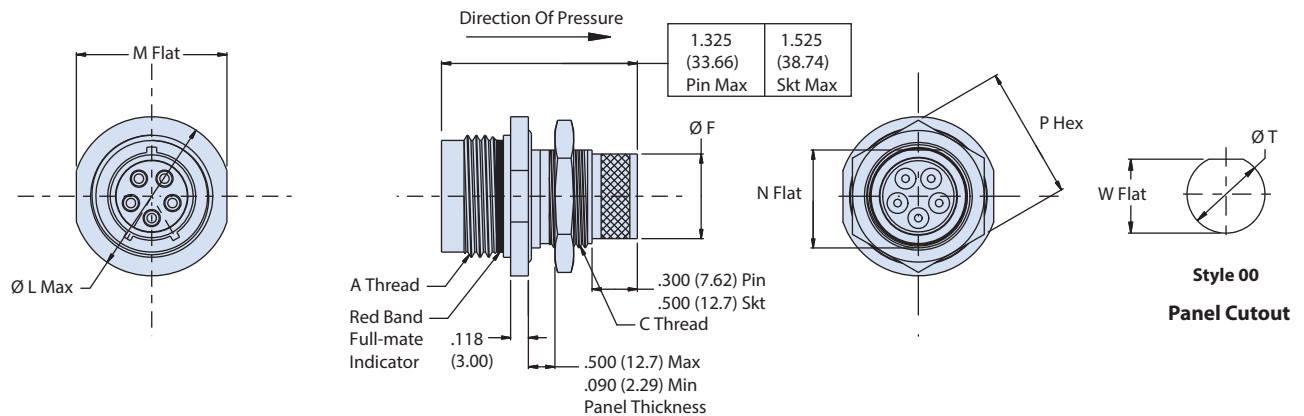
Jam-nut, rear panel mount receptacle - shell style 07



Square flange, front panel mount, thru-hole receptacle - shell style 02



Jam-nut, front panel mount receptacle - shell style 00



Dimensions in Inches (millimeters) are subject to change without notice.



Series 802 AquaMouse™ 3500 PSI Submersible Hermetic Receptacle with Removable Crimp Termination

802-056 Dimensions

Dimensions										
Shell Size	A Thread	B Thread	C Thread	Ø D	E Flat	Ø F	Ø G	H Dim	Ø J	K Dim
5	.4375-28 UNEF	.5000-32 UN	.312-28 UN	0.885 (22.50)	.469/.463 (11.9/11.8)	0.232 (5.90)	0.320 (8.10)	0.500 (12.70)	0.327 (8.30)	0.885 (22.50)
6	.5625-20 UN	.6250-20 UN	.438-28 UN	1.010 (25.70)	.594/.588 (15.1/14.9)	0.312 (7.90)	0.380 (9.60)	0.625 (15.90)	0.390 (9.90)	1.010 (25.70)
7	.6250-20 UN	.6875-28 UN	.500-32 UN	1.072 (27.20)	.656/.650 (16.7/16.5)	0.375 (9.50)	0.510 (12.90)	0.688 (17.50)	0.515 (13.10)	1.072 (27.20)
8	.6875-20 UN	.7500-28 UN	.562-28 UN	1.135 (28.80)	.729/.725 (18.5/18.4)	0.438 (11.10)	0.560 (14.20)	0.750 (19.10)	0.577 (14.70)	1.135 (28.80)
9	.7500-20 UNEF	.8125-28 UN	.625-20 UN	1.195 (30.40)	.781/.775 (19.8/19.7)	0.500 (12.70)	0.635 (16.10)	0.812 (20.60)	0.640 (16.30)	1.195 (30.40)
10	.8125-20 UNEF	.8750-28 UN	.687-28 UN	1.260 (32.00)	.830/.824 (21.1/20.9)	0.562 (14.30)	0.695 (17.70)	0.875 (22.20)	0.702 (17.80)	1.260 (32.00)
12	.8750-20 UNEF	.9375-28 UN	.750-28 UN	1.322 (33.60)	.893/.887 (22.7/22.5)	0.656 (16.70)	0.755 (19.20)	0.938 (23.80)	0.765 (19.40)	1.323 (33.60)
14	1.0625-20 UN	1.1250-28 UN	.938-28 UN	1.510 (38.40)	1.080/1.074 (27.4/27.3)	0.812 (20.60)	0.945 (24.00)	1.125 (28.60)	0.953 (24.20)	1.510 (38.40)
15	1.1250-20 UN	1.1875-28 UN	1.000-28 UN	1.572 (39.90)	1.143/1.137 (29.0/28.9)	0.885 (22.40)	1.005 (25.50)	1.188 (30.20)	1.015 (25.80)	1.573 (40.00)
21	1.4375-20 UN	1.5000-28 UN	1.312-28 UN	1.940 (49.30)	1.467/1.463 (37.3/37.2)	1.188 (30.20)	1.305 (33.10)	1.375 (34.90)	1.312 (33.30)	1.750 (44.50)

Dimensions (continued)												
Shell Size	Ø L	M Flat	N Flat	TP Hex	Ø R	S Flat	Ø T	W Flat	Ø R	Piston O-ring*	Flange O-ring Style 00 & 02*	Flange O-ring Style 07*
5	0.72 (18.30)	0.625 (15.90)	0.281 (7.10)	0.500 (12.70)	0.510 (13.00)	.479/.474 (12.2/12.0)	0.322 (8.20)	.291/.286 (7.4/7.3)	2-009	2-012	2-015	
6	0.78 (19.80)	0.750 (19.10)	0.406 (10.30)	0.625 (16.00)	0.635 (16.10)	.604/.599 (15.3/15.2)	0.448 (11.40)	.417/.412 (10.7/10.5)	5-052	2-014	2-017	
7	0.91 (23.10)	0.812 (20.60)	0.469 (11.90)	0.688 (17.50)	0.697 (17.70)	.666/.661 (16.9/16.8)	0.510 (13.00)	.479/.474 (12.2/12.0)	2-012	2-015	2-019	
8	0.96 (24.40)	0.875 (22.20)	0.531 (13.50)	0.750 (19.10)	0.760 (19.30)	.737/.733 (18.7/18.6)	0.572 (14.50)	.541/.536 (13.7/13.6)	5-212	2-016	2-019	
9	1.03 (26.20)	0.937 (23.80)	0.594 (15.10)	0.812 (20.60)	0.822 (20.90)	.791/.786 (20.1/20.0)	0.635 (16.10)	.604/.599 (15.3/15.2)	2-014	2-017	2-020	
10	1.09 (27.70)	1.000 (25.40)	0.656 (16.70)	0.875 (22.20)	0.885 (22.50)	.840/.835 (21.3/21.2)	0.697 (17.70)	.666/.661 (16.9/16.8)	2-015	2-018	2-021	
12	1.16 (29.50)	1.062 (27.00)	0.719 (18.30)	0.938 (23.80)	0.948 (24.10)	.903/.898 (22.9/22.8)	0.760 (19.30)	.729/.724 (18.5/18.4)	2-016	2-019	2-022	
14	1.34 (34.00)	1.250 (31.80)	0.893 (22.70)	1.125 (28.60)	1.135 (28.80)	1.090/1.085 (27.7/27.6)	0.948 (24.10)	.903/.898 (22.9/22.8)	2-019	2-022	2-025	
15	1.41 (35.80)	1.312 (33.30)	0.955 (24.30)	1.188 (30.20)	1.198 (30.40)	1.153/1.148 (29.3/29.2)	1.010 (25.70)	.965/.960 (24.5/24.4)	2-020	2-023	2-026	
21	1.70 (43.20)	1.562 (39.70)	1.257 (31.90)	1.500 (38.10)	1.510 (38.40)	1.475/1.471 (37.5/37.4)	1.322 (33.60)	1.267/1.263 (32.2/32.1)	2-023	2-028	2-030	

*See note 5

Dimensions in Inches (millimeters) are subject to change without notice.

Series 802 AquaMouse™ 3500 PSI Submersible Hermetic Jam-nut Mount Bulkhead Feed-Thru Receptacle

802-050 Ordering Information



Series 802



Series 802 Hermetic Jam-Nut Mount, Bulkhead Feed-Thru Receptacles provide a separable hermetic connection on both sides of a mounting panel. Features hermeticity of 5×10^{-8} sccHe/sec at 1 atmosphere differential. Gold plated iron alloy contacts and compression glass dielectric material. The passivated, stainless steel connector shell offers excellent corrosion protection. Available with pin to pin contacts. Power applied to a given contact on one end will result in power to contact directly opposite, regardless of contact identification letter. Shell sizes 5 thru 21 have a maximum open face rated test pressure of 1,000 PSI in one direction.

How To Order	
Sample Part Number	802-050 Z1 12-37 P P A 01 N
Series	802-050 = Bulkhead Feed-Thru Hermetic Receptacle
Shell Material and Finish	Z1 = 316 Stainless Steel / Passivated RoHS Compliant
Shell Size - Insert Arrangement (See Table I)	See Table III
Contact Type Jam-Nut Side	P = Pin
Contact Type Opposite Side	P = Pin
Polarization (See Table II)	A = Normal B = Pos. B C = Pos. C D = Pos. D E = Pos. E F = Pos. F
Panel Thickness (See Table III)	-01 = .500/1.000 -02 = 1.000/1.500 -03 = 1.500/2.000 -04 = 2.000/2.500 -05 = 2.500/3.000 -06 = 3.000/3.500 -07 = 3.500/4.000
O-ring Material	V = Viton N = Nitrile NA = No external o-rings supplied (suggested material: Nitrile)

Shell Size	Insert Arrangement(s)
5	-3
6	-1, -4, -6, -7, -23
7	-1, -10, -25
8	-1, -2, -13, -28, -200
9	-4, -19, -200, -201, -210
10	-2, -5, -26, -200, -201, -202
12	-2, -3, -7, -37, -200, -201, -220
14	-5, -12, -55, -235
15	-3, -7, -14, -85, -241
21	-12, -22, -130, -269

Panel Thickness Code	H Panel Thickness	J Maximum Length
-01	.500/1.000	2.450
-02	1.000/1.500	2.950
-03	1.500/2.000	3.450
-04	2.000/2.500	3.950
-05	2.500/3.000	4.450
-06	3.000/3.500	4.950
-07	3.500/4.000	5.450

Key Position	Key Rotation	
	A°	B°
A Normal	150°	210°
B	75°	210°
C	95°	230°
D	140°	275°
E	75°	275°
F	95°	210°

NOTES

- Mates with 802 series plugs
- Electrical safety limits and maximum usage pressure to be determined by the customer
- Test requirements:
 - DWV:

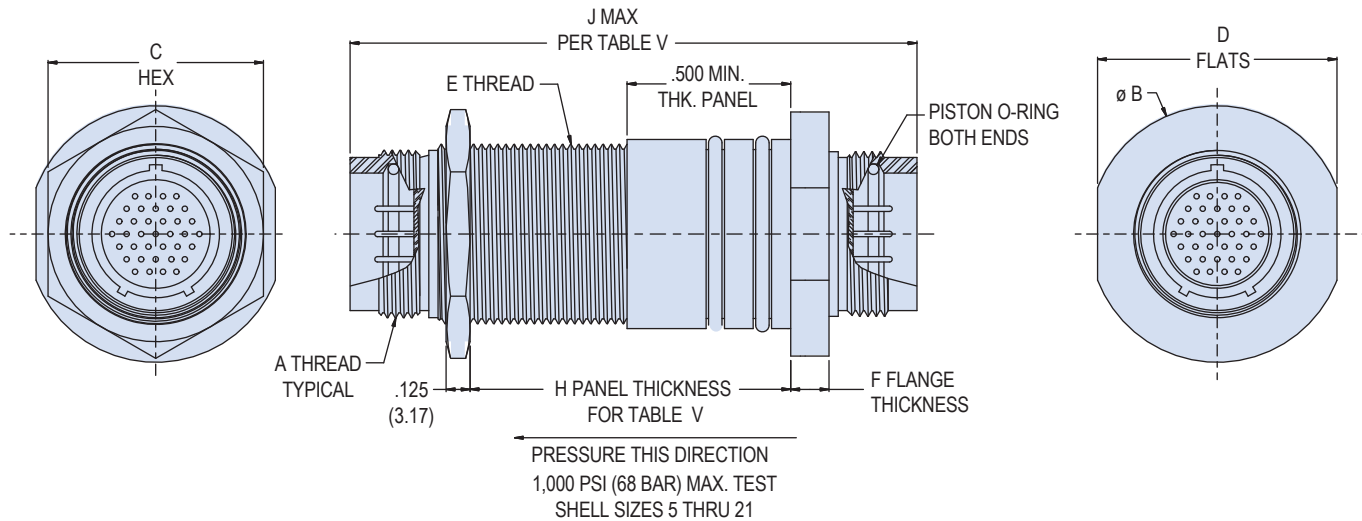
- » #23 Contacts: 750 VAC pin to pin and pin to shell without breakdown
- » #20 contacts: 1000 VAC pin to pin and pin to shell without breakdown
- » #16 and #12 contacts: 1800 VAC pin to pin and pin to shell without breakdown
- I.R.: 20,000 megohms test(@ 500 VDC minimum)

Dimensions in Inches (millimeters) are subject to change without notice.

Series 802 AquaMouse™ 3500 PSI Submersible Hermetic Jam-nut Mount Bulkhead Feed-Thru

802-050 Dimensions

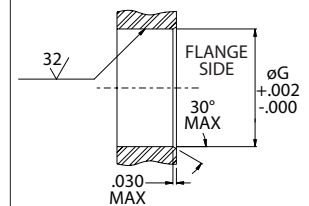
Jam-nut mount bulkhead Feed-Thru



Dimensions

Shell Size	A Thread	Ø B Max	C Hex	D Flat	E Thread	Ø G	Ext. O-Ring	F
5	.4375-28 UNEF	.950 (24.13)	.688 (17.48)	.880 (22.35) .870 (22.10)	.5000-32 UN-2A	.562 (14.27)	2-013	.260 (6.60)
6	.5625-20 UN	1.150 (29.21)	.812 (20.62)	1.010 (25.65) 1.000 (25.40)	.6250-20 UN-2A	.687 (17.45)	2-015	.260 (6.60)
7	.6250-20 UN	1.225 (31.12)	.875 (22.23)	1.080 (27.43) 1.070 (27.18)	.6875-28 UN-2A	.750 (19.05)	2-016	.260 (6.60)
8	.6875-20 UN	1.275 (32.39)	.938 (23.83)	1.140 (28.96) 1.130 (28.70)	.7500-28 UN-2A	.812 (20.62)	2-017	.260 (6.60)
9	.7500-20 UNEF	1.325 (33.65)	1.000 (25.40)	1.205 (30.61) 1.195 (30.35)	.8125-28 UN-2A	.875 (22.23)	2-018	.260 (6.60)
10	.8125-20 UNEF	1.380 (35.05)	1.000 (25.40)	1.270 (32.26) 1.260 (32.00)	.8750-28 UN-2A	.937 (23.80)	2-019	.260 (6.60)
12	.8750-20 UNEF	1.462 (37.13)	1.125 (28.58)	1.330 (33.78) 1.320 (33.53)	.9375-28 UN-2A	1.000 (25.40)	2-020	.260 (6.60)
14	1.0625-20 UN	1.650 (41.91)	1.312 (33.32)	1.520 (38.61) 1.510 (38.35)	1.1250-28 UN-2A	1.187 (30.15)	2-023	.325 (8.25)
15	1.1250-20 UN	1.700 (43.18)	1.375 (34.92)	1.580 (40.13) 1.570 (39.88)	1.1875-28 UN-2A	1.250 (31.75)	2-024	.325 (8.25)
21	1.4375-20 UN	2.165 (54.99)	1.700 (43.18)	2.015 (51.18) 2.005 (50.93)	1.5000-28 UN-2A	1.625 (41.28)	2-029	.325 (8.25)

Jam-Nut Mount Bulkhead Feed-Thru, Panel Cutout Dimensions



Shell Size	Ø G
5	.562 (14.27)
6	.687 (17.45)
7	.750 (19.05)
8	.812 (20.62)
9	.875 (22.23)
10	.937 (23.80)
12	1.000 (25.40)
14	1.187 (30.15)
15	1.250 (31.75)
19	1.625 (41.28)
21	1.263 (32.08)

Material/Finish

- Shell, jam-nut: SST / passivated
- Pin contacts: nickel-iron alloy/gold plate
- Insulators: high-grade rigid dielectric
- O-rings: specify, must be per Norsok M-710 standard / N.A.

Dimensions in Inches (millimeters) are subject to change without notice.

Series 802 AquaMouse™ 3500 PSI Submersible
Shielded Overmolded Harsh Environment Cordsets
Performance Specifications



Series 802

Series 802 Harsh Environment Shielded Cordsets



Overmolded AquaMouse™ cordsets are used in oil and gas pipeline equipment and other hostile environments where interconnect reliability and survivability is essential. High performance cordsets feature easy ordering and fast delivery. These fully shielded and watertight assemblies withstand abrasion, temperature extremes and chemicals. Flexible overmolding provides rugged, watertight protection to wire and shield. Two styles are available. For oil and gas equipment or continuous water immersion, choose **Style 1** with thermoplastic polyurethane cable jacket and thermoset polyurethane overmolding. For non-critical general purpose applications, **Style 2** cordsets with polyurethane jackets and polyamide overmolds are a good choice if cost is a concern.

Product Features

- 2500 PSI (Style 1)
- Rugged, watertight construction
- 100% electrically tested
- BandMaster ATS Shield Termination
- Abrasion Resistance
- Resistant to chemicals
- Withstands UV and ozone

Harsh Environment Cordset Selection Guide

Property	Style 1 Polyurethane Jacket Polyurethane Overmold	Style 2 Polyurethane Jacket Polyamide Overmold
Cable jacket	Thermoplastic polyurethane (TPU), black	Thermoplastic polyurethane (TPU), black
Overmold	Thermoset polyurethane, black	Polyamide, black
Operating temperature	-40° C. to +105° C.	-30° C. to +105° C.
Flexibility	Good	Good
Water Resistance	2500 PSI (mated)	1 meter immersion
Solvent Resistance, Cable Jacket	Excellent	Good
Solvent Resistance, Overmold	Excellent	Fair
Weatherability	Excellent	Excellent
Abrasion Resistance	Excellent	Good
Flammability	Flame retardant UL 94 V-0	Flame retardant UL 94 V-0
Cost	\$\$\$\$	\$

Specifications

Cable jacket	Thermoplastic polyurethane, black, low-smoke, zero-halogen
Overmold	Style 1: thermoset polyurethane Style 2: polyamide
Cable shield	Tin-coated copper braid, 90% minimum coverage
Conductors	Silver coated stranded wire, TFE insulated, per M22759/11
Shield Termination	Band-Master™ ATS stainless steel shield termination band
Current rating	#23–5 amps, #20–7.5 amps, #16–13 amps, #12–23 amps
Test voltage (DWV)	#23–500 Vac, #20–500 vac, #16 and #12–500 VAC sea level
Insulation resistance	200 Megohms minimum
Shielding effectiveness	50 dB minimum from 100MHz to 1000MHz.

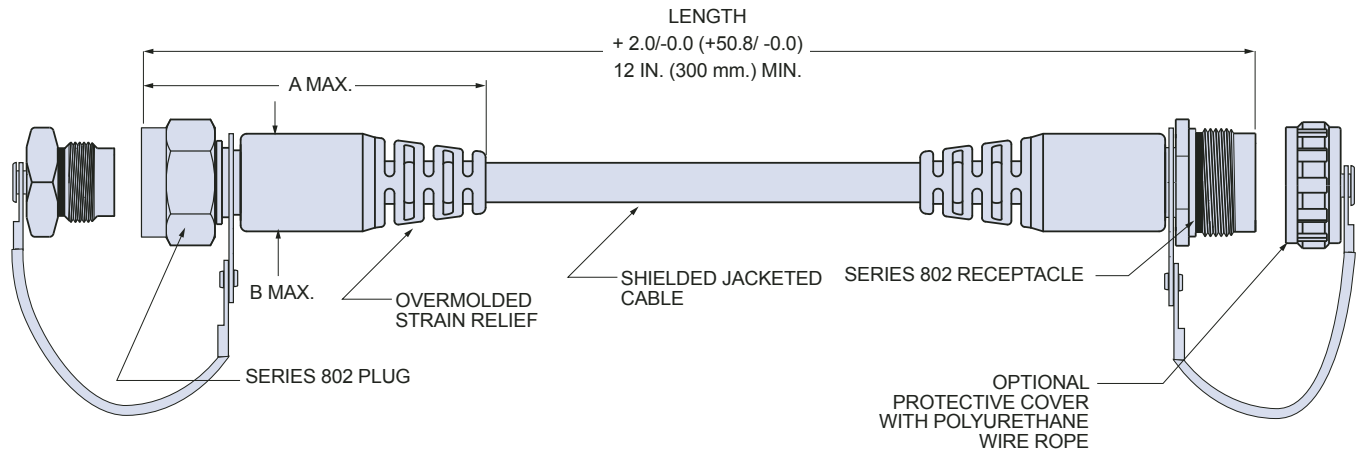
Dimensions in Inches (millimeters) are subject to change without notice.

E



Series 802 AquaMouse™ 3500 PSI Submersible Shielded Overmolded Harsh Environment Cordsets

Dimensions



Dimensions				
Shell Size	A Max.		B Max.	
	In.	mm.	In.	mm.
5	2.31	58.67	0.5	12.70
6	2.40	60.96	0.55	13.97
7	2.50	63.50	0.65	16.51
8	2.52	64.01	0.71	18.03
9	2.80	71.12	0.78	19.81
10	2.75	69.85	0.82	20.83
11	2.85	72.39	0.87	55.10
12	3.10	78.74	0.9	22.86
14	3.40	86.36	1.1	27.94
15	3.40	86.36	1.2	30.48

NOTES

1. Double-ended cordsets are wired pin #1 to pin #1, #2 to #2, and so on.
2. Wires are silver-coated stranded copper with TFE insulation, 600V, in accordance with M22759/11.
3. Wire color is IAW MIL-STD-681 for cables containing 10 wires or less. For cable containing more than 10 wires, wire color is white.

Dimensions in Inches (millimeters) are subject to change without notice.

**Series 802 AquaMouse™ 3500 PSI Submersible
Shielded Overmolded Harsh Environment Cordsets
802-019, -022, -032 and -033 Ordering Information**



Series 802

Series 802 Cordsets with #23 Contacts								
Sample Part Number								
802-019	-A	C	4	M	9-19	N	A	-36
Series	End A Connector	End B Connector	Wire Size	Shell Material / Finish	Insert Arr.	Protective Cover	Shell Key Pos.	Length
802-022 Style 1 Polyurethane Cable Jacket, Thermoset Polyurethane Overmold, 2500 PSI	-A Plug, with Male Pin Contacts	A Plug, with Male Pin Contacts	2 #22 AWG	Z1 Stainless Steel Shell / Passivated	See page E-2 for insert arr.	P Metal Protective Covers Included	A Normal	Overall Length In Inches
	-B Plug, with Female Socket Contacts	B Plug, with Female Socket Contacts	4 #24 AWG	ZM Stainless Steel Shell / Electroless Nickel Plated	Consult Factory for Combo Arr.	N No Covers Supplied	B Pos. B	12 Inch Min.
802-019 Style 2 Polyurethane Cable Jacket, Polyamide Overmold, 1 Meter Immersion	-C Receptacle, with Male Pin Contacts	C Receptacle, with Male Pin Contacts		AB Marine Bronze Shell Unplated			C Pos. C	
	-D Receptacle, with Female Socket Contacts	D Receptacle, with Female Socket Contacts					D Pos. D	
		N No Connector (Single-Ended)					See page E-2	

Series 802 Cordsets with #20HD Contacts								
Sample Part Number								
802-032	-A	C	0	M	9-210	N	A	-36
Series	End A Connector	End B Connector	Wire Size	Shell Material / Finish	Insert Arr.	Protective Cover	Shell Key Pos.	Length
802-033 Style 1 Polyurethane Cable Jacket, Thermoset Polyurethane Overmold, 2500 PSI Rated	-A Plug, with Male Pin Contacts	A Plug, with Male Pin Contacts	0 #20 AWG	Z1 Stainless Steel Shell / Passivated	See page E-2 for insert arr.	P Metal Protective Covers Included	A Normal	Overall Length In Inches
	-B Plug, with Female Socket Contacts	B Plug, with Female Socket Contacts	2 #22 AWG	ZM Stainless Steel Shell / Electroless Nickel Plated	Consult Factory for Combo Arr.	N No Covers Supplied	B Pos. B	12 Inch Min.
802-032 Style 2 Polyurethane Cable Jacket, Polyamide Overmold, 1 Meter Immersion	-C Receptacle, with Male Pin Contacts	C Receptacle, with Male Pin Contacts		AB Marine Bronze Shell Unplated			C Pos. C	
	-D Receptacle, with Female Socket Contacts	D Receptacle, with Female Socket Contacts					D Pos. D	
		N No Connector (Single-Ended)					See page E-2	

Dimensions in Inches (millimeters) are subject to change without notice.





Series 802 AquaMouse™ 3500 PSI Submersible Shielded Overmolded Harsh Environment Cordsets

802-026, -027, -028, and -029 Ordering Information

Series 802 Cordsets with #16 Contacts								
Sample Part Number								
802-026	-A	C	6	Z1	9-4	N	A	-48
Series	End A Connector	End B Connector	Wire Size	Shell Material / Finish	Insert Arr.	Protective Cover	Shell Key Pos.	Length
802-028 Style 1 Polyurethane Cable Jacket, Thermoset Overmold, 2500 PSI Rated 802-026 Style 2 Polyurethane Cable Jacket, Polyamide Overmold, 1 Meter Immersion	-A Plug, with Male Pin Contacts	A Plug, with Male Pin Contacts	6 #16 AWG	Z1 Stainless Steel Shell / Passivated	See page E-2 for insert arr.	P Metal Protective Covers Included	A Normal	Overall Length In Inches 12 Inch Min.
	-B Plug, with Female Socket Contacts	B Plug, with Female Socket Contacts	8 #18 AWG	ZM Stainless Steel Shell / Electroless Nickel Plated	Consult Factory for Combo Arr.	N No Covers Supplied	B Pos. B	
	-C Receptacle, with Male Pin Contacts	C Receptacle, with Male Pin Contacts		AB Marine Bronze Shell Unplated			C Pos. C	
	-D Receptacle, with Female Socket Contacts	D Receptacle, with Female Socket Contacts					D Pos. D	
		N No Connector (Single-Ended)					See page E-2	

Series 802 Cordsets with #12 Contacts								
Sample Part Number								
802-027	-A	C	0	M	10-2	N	A	-48
Series	End A Connector	End B Connector	Wire Size	Shell Material / Finish	Insert Arr.	Protective Cover	Shell Key Pos.	Length
802-029 Style 1 Polyurethane Cable Jacket, Thermoset Overmold, 2500 PSI Rated 802-027 Style 2 Polyurethane Cable Jacket, Polyamide Overmold, 1 Meter Immersion	-A Plug, with Male Pin Contacts	A Plug, with Male Pin Contacts	2 #12 AWG	Z1 Stainless Steel Shell / Passivated	See page E-2 for insert arr.	P Metal Protective Covers Included	A Normal	Overall Length In Inches 12 Inch Min.
	-B Plug, with Female Socket Contacts	B Plug, with Female Socket Contacts	4 #14 AWG	ZM Stainless Steel Shell / Electroless Nickel Plated	Consult Factory for Combo Arr.	N No Covers Supplied	B Pos. B	
	-C Receptacle, with Male Pin Contacts	C Receptacle, with Male Pin Contacts		AB Marine Bronze Shell Unplated			C Pos. C	
	-D Receptacle, with Female Socket Contacts	D Receptacle, with Female Socket Contacts					D Pos. D	
		N No Connector (Single-Ended)					See page E-2	

Dimensions in Inches (millimeters) are subject to change without notice.

Series 803 Mighty Mouse 1/4 Turn Bayonet Coupling Table of Contents and Introduction



Series 803

PRODUCT SELECTION GUIDE



Series 803 Plug with Crimp Contacts

Available in aluminum or stainless steel. The integral shield termination platform accepts heat-shrink boots, or select accessory threads for use with a variety of strain relief and backshell accessory options.

Page F-8



Series 803 Receptacle with Crimp Contacts

Crimp contacts are rear release type. Available shell styles include jam-nut, square flange and in-line shell style. The integral shield termination platform accepts heat-shrink boots (ordered separately), or select accessory threads for use with a variety of strain relief and backshell accessory options. Contacts are crimp-type and are packaged with the connector.

Page F-10



Series 803 Receptacle with Solder Cups or PC Tails

These panel mount connectors feature gold plated, factory-installed non-removable contacts. Choose printed circuit terminals, or choose solder cup contacts. Connectors are potted with epoxy and paralyene compatible. Suitable for general purpose applications, or choose the silicone-sealed, leak-tested versions for 1 meter water immersion in unmated condition.

Page F-14



Series 803 Hermetic Receptacles

Hermetic receptacle with stainless steel shells are glass-sealed and available with solder cup or PC tail contacts. Choose jam-nut or flange mount versions. Contacts are gold plated iron alloy. 100% tested to meet 1×10^{-7} cc/sec helium leakage. Open face pressure rating 1000 PSI.

Page F-16



Series 803 Bulkhead Feed-Thru

Feed-thru connectors provide a separable connection on both side of a mounting panel. Available as rear panel mount jam-nut or front or rear panel mount elliptical flange. Aluminum or stainless steel shells provide corrosion resistance. Contacts available as pin to pin, pin to socket or socket to socket styles.

Page F-18



Series 803 Shielded Overmolded Cordsets

Overmolded cordsets offer optimum convenience and performance. Low-smoke, zero halogen polyurethane jackets withstand abrasion and harsh environments or choose lightweight shield and overbraided jackets for maximum flexibility.

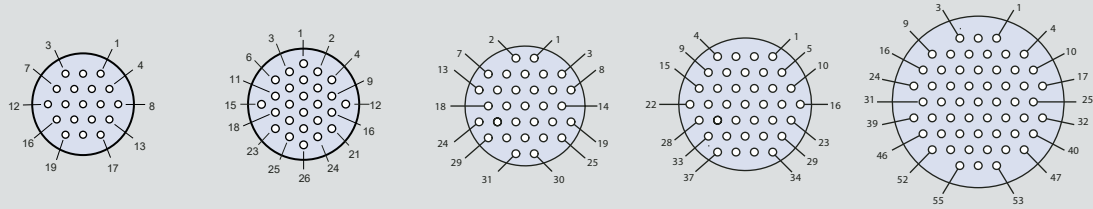
Page F-20

Dimensions in Inches (millimeters) are subject to change without notice.

Size #23 Signal Contact Arrangements, Tested at 1800 VAC

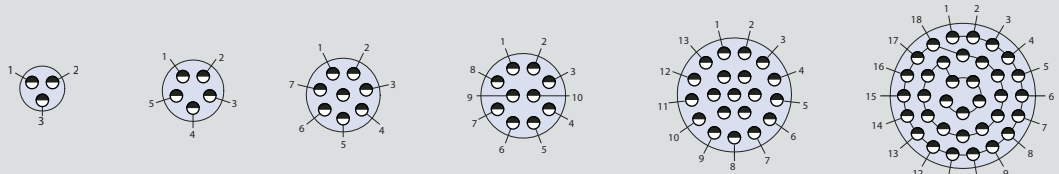


Insert Arrangement	5-3	6-4	6-6	6-7	7-10	8-13
No. of Contacts	3	4	6	7	10	13



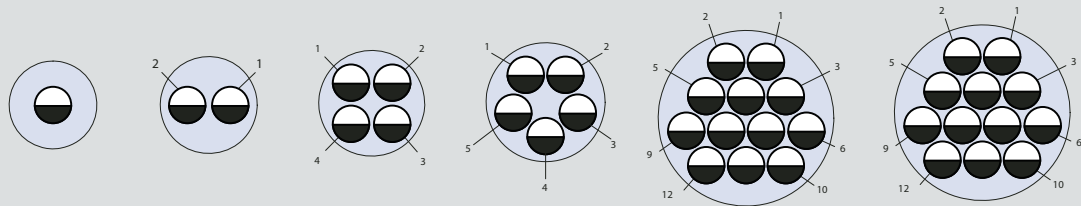
Insert Arrangement	9-19	10-26	11-31	12-37	14-55
No. of Contacts	19	26	31	37	55

Size #20HD Power Contact Arrangements, Tested at 1000 VAC



Insert Arrangement	6-23	7-25	8-28	9-210	12-220	14-235
No. of Contacts	3	5	8	10	20	35

Size #16 Power Contact Arrangements, Tested at 1800 VAC



Insert Arrangement	6-1	8-2	9-4	10-5	12-7	14-12
No. of Contacts	1	2	4	5	7	12

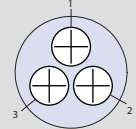
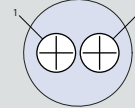
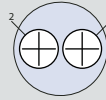
Dimensions in Inches (millimeters) are subject to change without notice.

**Series 803 Mighty Mouse
1/4 Turn Bayonet Coupling
Contact Arrangements, Mating Face of Pin Insert Shown**

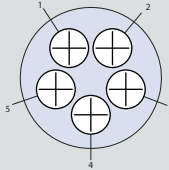
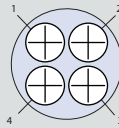


Series 803

Size #12 Power Contact Arrangements, Tested at 1800 VAC

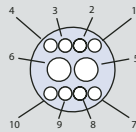
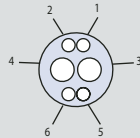


Insert Arrangement	7-1	10-2	12-2	12-3
No. of Contacts	1	2	2	3



Insert Arrangement	14-4	14-5
No. of Contacts	4	5

Size #20 Power and Size #23 Signal, Combo Contact Arrangements



Insert Arrangement	8-200		9-201	
Contact Size	#20	#23	#20	#23
No. of Contacts	2	4	2	8
VAC Test Voltage	750		750	



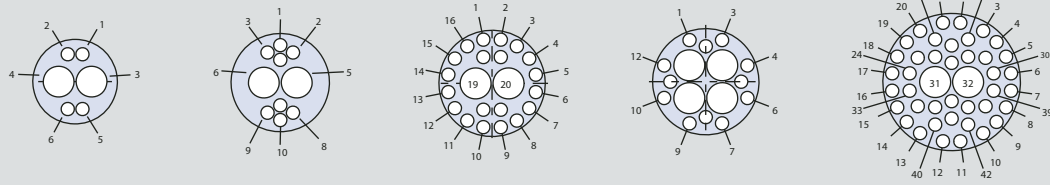
Dimensions in Inches (millimeters) are subject to change without notice.



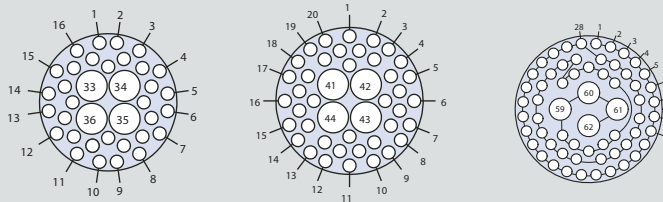
Series 803 Mighty Mouse 1/4 Turn Bayonet Coupling

Contact Arrangements, Mating Face of Pin Insert Shown

Size #16 Power and Size #23 Signal, Combo Contact Arrangements

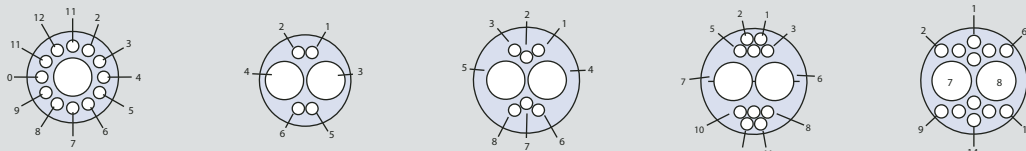


Insert Arrangement	9-200		10-202		12-202		12-203		14-204	
Contact Size	#16	#23	#16	#23	#16	#23	#16	#23	#16	#23
No. of Contacts	2	4	2	8	2	20	4	12	2	40
VAC Test Voltage	750		750		1300		1300		1300	

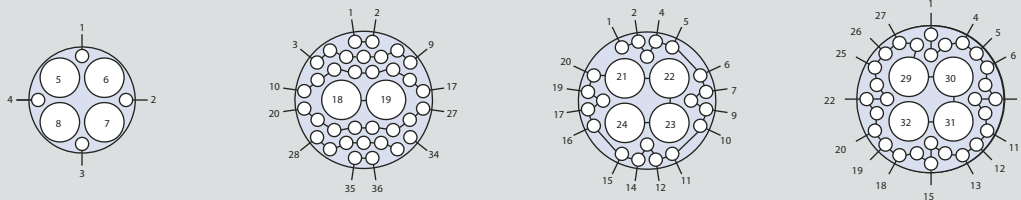


Insert Arrangement	14-205		15-203		15-206	
Contact Size	#16	#23	#16	#23	#16	#23
No. of Contacts	4	32	4	40	4	58
VAC Test Voltage	1300		1300		1300	

Size #12 Power and Size #23 Signal, Combo Contact Arrangements



Insert Arrangement	10-200		10-201		12-200		12-201		12-204	
Contact Size	#12	#23	#12	#23	#12	#23	#12	#23	#12	#23
No. of Contacts	1	12	2	4	2	6	2	10	2	12
VAC Test Voltage	750		750		750		750		1300	



Insert Arrangement	15-205		14-206		14-207		15-204	
Contact Size	#12	#23	#12	#23	#12	#23	#12	#23
No. of Contacts	4	4	2	34	4	20	4	28
VAC Test Voltage	1300		1300		1300		1300	

Dimensions in Inches (millimeters) are subject to change without notice.

Series 803 Mighty Mouse 1/4 Turn Bayonet Coupling Panel Cutout Dimensions and Polarization



Series 803

Panel Cutout Dimensions

Jam-Nut Panel Cutout Dimensions		
Shell Size	A Flat ± .002 (.05)	Ø B
5	.355 (9.02)	.385 (9.78) .380 (9.65)
6	.415 (10.54)	.447 (11.35) .442 (11.23)
7	.541 (13.74)	.577 (14.66) .567 (14.40)
8	.601 (15.27)	.635 (16.13) .630 (16.00)
9	.601 (15.27)	.635 (16.13) .630 (16.00)
10	.729 (18.52)	.760 (19.30) .755 (19.18)
12	.850 (21.59)	.885 (22.48) .880 (22.35)
14	1.031 (26.19)	1.072 (27.23) 1.067 (27.10)

Flange Mount Panel Cutout Dimensions		
Shell Size	A	Ø B
5	.513 (13.03)	.382 (9.70)
6	.598 (15.19)	.445 (11.30)
7	.708 (17.98)	.520 (13.21)
8	.964 (24.49)	.592 (15.04)
9	1.017 (25.83)	.645 (16.38)
10	1.101 (27.97)	.726 (18.44)
12	1.204 (30.58)	.832 (21.13)
14	1.280 (32.51)	.950 (24.13)

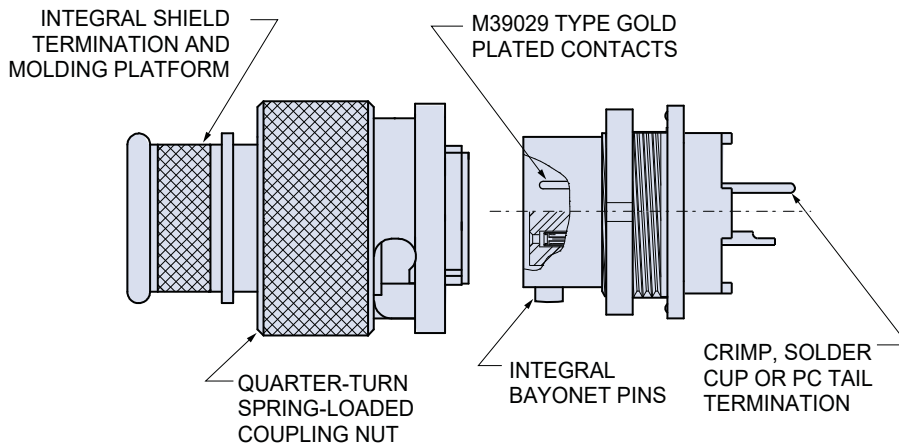
Polarization

Plug Keyway Polarization		
Pos.	A°	B°
N	150°	210°
X	75°	210°
Y	95°	230°
Z	140°	275°

Receptacle Keyway Polarization		
Pos.	A°	B°
N	150°	210°
X	75°	210°
Y	95°	230°
Z	140°	275°

Dimensions in Inches (millimeters) are subject to change without notice.

Series 803 Mighty Mouse ¼ Turn Bayonet Coupling General Information



Bayonet Coupling Mechanism
Push-To-Mate, ¼ turn for locking.

1 up to 55 contacts
available in crimp, solder cup or printed circuit board versions. Aluminum or stainless steel shell.

Now with Power Contacts.
Choose any one of 43 contact arrangements with size #23, size #20HD, size #16, or size #12 contacts.

Bayonet Mighty Mouse Offers ¼ Turn Locking, Rugged Design and Ultraminiature Size

Ideal for tactical handheld radios, sensors, test equipment and autosport equipment, the Series 803 connector adds quick bayonet coupling to the Glenair Series 80 product line. Key features are small size, light weight, environmental protection, and crimp-and-poke contacts. These features make the Series 803 Bayonet connector suitable for a wide range of quick-disconnect applications. Fluorosilicone seals resist most chemicals and provide splash protection.

Not rated for water immersion.

F



Specifications

Current Rating	#23-5 A, #20-7.5 A, #16-13 A, #12-23 A
Dielectric Withstanding Voltage	#23-750 VAC, #20HD-1000 VAC, #12 and #16-1800 VAC
Insulation Resistance	5000 megohms minimum
Operating Temperature	-65° C. to +175° C.
Shock	300 g.
Vibration	37 g.
Shielding Effectiveness	40 dB minimum from 100MHz to 1000MHz.
Durability	100 mating cycles (aluminum), 250 mating cycles (stainless steel)
See Series 80 General Information for complete performance specs.	

Materials and Finishes

Shells, Jam-Nuts	Aluminum alloy or stainless steel
Contacts	Copper alloy, 50 µlnch gold plated
Insulators	High-grade rigid dielectric
Contact Retention Clip	Beryllium copper alloy
Interfacial Seal, O-rings, Wire Sealing Grommet	Fluorosilicone rubber
See Series 80 General Information for complete material and finish specs.	

Dimensions in Inches (millimeters) are subject to change without notice.

Series 803 Mighty Mouse 1/4 Turn Bayonet Coupling Plug and Receptacle Weights



Series 803

Series 803 maximum Connector Weight in grams					
Contact Arr.	Cable Plug	J/N Recep Crimp	J/N Recep PCB	Flange Recep Crimp	Flange Recep PCB
5-3P	3.6	3.6	3.9	2.9	3.3
5-3S	3.7	3.7	4.0	3.1	3.4
6-1P	4.4	4.4	4.6	3.1	3.5
6-1S	4.5	4.5	4.7	3.2	3.6
6-4P	4.7	3.7	4.1	3.1	3.6
6-4S	4.7	4.0	4.2	3.2	3.7
6-6P	4.3	3.8	4.6	3.4	3.6
6-6S	4.5	4.1	4.7	3.6	3.7
6-7P	5.1	4.8	5.3	3.3	4.4
6-7S	5.1	5.1	5.5	3.6	4.4
7-1P	5.7	5.9	5.8	4.4	4.7
7-1S	5.9	6.2	5.9	4.7	5.1
7-10P	6.9	7.4	8.1	5.0	6.5
7-10S	7.4	7.8	8.4	5.4	6.6
7-25P	5.6	5.8	5.7	4.2	4.6
7-25S	5.9	6.2	5.8	4.7	5
8-2P	8.6	8.9	9.9	6.6	8.6
8-2S	9.4	9.7	10.7	7.4	9.4
8-13P	7.9	8.3	9.2	5.9	7.9
8-13S	8.7	8.9	9.7	6.6	8.1
8-28P	8.8	9.1	10.5	6.8	9.2
8-28S	9.9	10.2	11.3	7.9	10
8-200P	8.9	9.2	10.2	6.9	8.9
8-200S	9.6	9.9	10.9	6.9	9.6
9-4P	9.2	9.6	10.6	6.6	9.2
9-4S	9.6	9.9	10.9	6.9	9.6
9-19P	9.2	9.1	10.6	7.0	9.9
9-19S	10.2	10.1	11.2	8.1	10.2
9-200P	9.1	9.5	10.5	7.2	9.1
9-200S	10.2	10.6	11.6	8.3	10.2
9-201P	9.2	9.6	10.6	7.3	10.3
9-201S	9.8	10.1	11.7	8.4	10.3
9-210P	9	9.4	10.1	6.4	8.7
9-210S	9.6	9.9	10.7	6.9	9.3
10-2P	13.1	13.8	14.1	10.4	13
10-2S	14.5	15.1	16.7	11.7	14.5
10-5P	13.4	14.1	15.0	10.6	13.9
10-5S	14.9	15.5	17.5	12.0	15.3
10-26P	11.7	12.3	14.3	8.8	12.8
10-26S	13.4	13.6	15.1	10.1	13.1
10-200	12.5	13.2	15.2	9.7	13.0

Series 803 maximum Connector Weight in grams					
Contact Arr.	Cable Plug	J/N Recep Crimp	J/N Recep PCB	Flange Recep Crimp	Flange Recep PCB
10-200	14.0	14.6	16.6	11.1	14.4
10-201P	12.9	13.5	15.5	10.0	13.3
10-201S	14.4	15.1	17.1	11.6	14.9
10-202P	12.4	13.1	15.1	9.6	11.8
10-202S	14.0	14.6	16.6	11.1	14.4
12-2P	15.5	16.4	19.1	11.4	16.9
12-2S	17.2	18.0	20.8	13.1	18.6
12-3P	16.5	17.4	20.1	12.4	17.9
12-3S	18.3	19.1	21.9	14.2	19.7
12-7P	16.7	17.6	20.4	12.7	18.2
12-7S	19.4	20.2	23.0	15.3	20.8
12-37P	15.0	15.8	18.6	10.9	16.4
12-37S	16.6	17.5	19.6	12.4	16.7
12-200P	15.6	16.5	19.3	11.6	17.1
12-200S	17.9	18.8	21.6	13.9	19.4
12-201P	15.7	16.6	19.4	11.7	17.2
12-201S	18.2	19.0	21.8	14.1	19.6
12-202P	15.6	16.4	20.5	12.2	18.3
12-202S	17.6	18.4	22.1	14.2	19.9
12-203P	15.9	16.8	21	12.5	18.8
12-203S	17.9	18.7	22.5	14.5	20.3
12-204P	16	16.2	21	12.6	18.6
12-204S	18	18.8	22.5	14.6	20.3
12-205P	17.1	18	22.6	13.7	20.4
12-205S	19	19.8	24.5	15.6	22.3
12-220P	16.3	17.2	21.4	12.9	19.2
12-220S	18.7	19.5	23.3	15.3	21.1
14-5P	22.2	23.5	27.7	17.3	25.5
14-5S	24.8	26.1	29.3	19.8	25.1
14-12P	22.7	24	29.7	17.6	27.5
14-12S	25.4	26.7	30.9	20.4	26.7
14-204P	21	22.3	27.6	15.9	25.4
14-204S	24.1	25.4	28.7	19.1	24.5
14-205P	21.3	22.6	28.1	16.2	25.9
14-205S	24.4	25.7	29.1	19.4	24.9
14-206P	21.5	22.8	28.2	16.4	26
14-206S	24.6	25.9	29.4	19.6	25.2
14-207P	22.3	23.6	29.1	17.2	26.9
14-207S	25.3	26.6	30.6	20.3	26.4
14-235P	22.6	23.9	29.6	17.5	27.4
14-235S	26.3	27.6	31.3	21.3	27.1
14-55P	19.6	20.9	25.1	14.6	22.9
14-55S	22.6	23.9	27.1	17.6	23.9

F

Dimensions in Inches (millimeters) are subject to change without notice.

Series 803 Mighty Mouse, ¼ Turn Bayonet Coupling Plug with Crimp Removable Contacts

803-001 and 803-002 Ordering Information



Series 803 compact size and rugged design make them suitable for light-to-medium duty applications where water immersion is not a consideration. Splashproof design withstands exposure to rain and condensation. Bayonet coupling mechanism uses a rotating coupling nut on the plug and three integral bayonet pins on the receptacle. Push to mate, then rotate the coupling nut 90° to lock. Connector shells are machined aluminum or stainless steel. Supplied with crimp contacts, packaged separately. Terminate contacts with standard M22520 tools. Metal clips inside the connector body lock contact into place. Contacts are removable. Fluorosilicone seals and rear grommet protect connector from water ingress. Terminate cable shield directly to connector body with Band-Master™ ATS strap, or choose rear accessory thread to attach optional cable clamp or backshell. Available in shell sizes 5 through 14 in 46 contact arrangements.

How To Order

Sample Part Number	803-001	-06	NF	9-19	P	N
Series (See Table I)	803-001 = Plug with Banding Platform 803-002 = Plug with Accessory Thread					
Shell Style	-06 = Plug					
Shell Material and Finish	C = Aluminum / Black Anodize (Non-Conductive); RoHS Compliant M = Aluminum / Electroless Nickel; RoHS Compliant MT = Aluminum / Nickel-PTFE RoHS Compliant NF = Aluminum / Cadmium with Olive Drab Chromate ZN = Aluminum / Zinc-Nickel with Olive Drab Chromate ZNU = Aluminum / Zinc-Nickel with Black Chromate Z1 = Stainless Steel / Passivated; RoHS Compliant UCR = Aluminum / Zinc-Cobalt with Black Chromate; RoHS Compliant					
Shell Size - Insert Arrangement	See Contact Arrangements Page F-2					
Contact Type	Connector supplied with contacts P = Pin S = Socket Contacts are supplied loose and not installed when supplied with connector. Coaxial contacts and non-standard signal contacts are ordered separately.		Connector supplied without contacts A = Pin Connector, less contacts B = Socket Connector, less contacts			
Polarization (See Table II)	N = Normal X = Pos. X Y = Pos. y Z = Pos. Z					

Table I: Series

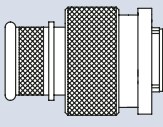
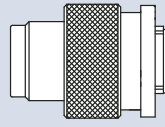
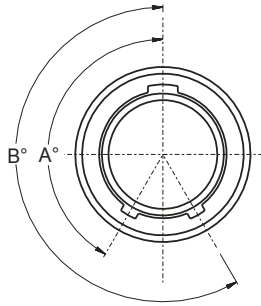
	
803-001 Plug with Banding Platform	803-002 Plug with Accessory Thread

Table II: Keyway Polarization

Pos.	A°	B°
N	150°	210°
X	75°	210°
Y	95°	230°
Z	140°	275°



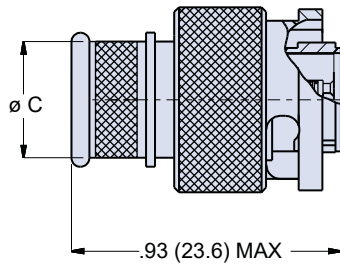
Dimensions in Inches (millimeters) are subject to change without notice.

Series 803 Mighty Mouse, ¼ Turn Bayonet Coupling Plug Plug with Crimp Removable Contacts 803-001-06 and 803-002-06 Dimensions

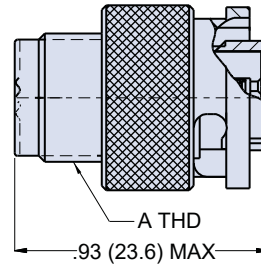


Series 803

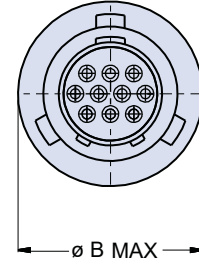
Plug connector



Intergral Band Platform
803-001



Accessory Thread
803-002



Dimensions			
Shell Size	A Thread	Ø B Max	Ø C
5	.2500-32 UNEF-2A	.500 (12.70)	.245 (6.22)
6	.3125-32 UNEF-2A	.565 (14.35)	.290 (7.37)
7	.4375-28 UNEF-2A	.650 (16.51)	.390 (9.91)
8	.5000-28 UNEF-2A	.750 (19.05)	.440 (11.18)
9	.5625-24 UNEF-2A	.790 (20.07)	.500 (12.70)
10	.6250-24 UNEF-2A	.875 (22.23)	.562 (14.27)
12	.6875-24 UNEF-2A	.944 (23.98)	.650 (16.51)
14	.9375-20 UNEF-2A	1.095 (27.81)	.805 (20.45)

NOTES

1. Contacts are size 23 crimp type, and are used in a rear release retention system
2. For additional insert arrangements consult factory
3. Crimp barrel accommodates 22, 24, 26 and 28 gage wire
4. Crimp Tool Data:
 - Crimp Frame: M22520/2-01
 - Positioner for use with crimp frame: Glenair part no. 809-005
 - Insertion tool: Glenair part no. 809-013
 - Extraction tool: Glenair part no. 809-007 (metal tweezers type tool)

Material and Finish

- Shell, coupling nut, jam-nut: Aluminum alloy or CRES / see how to order table
- Insulator: LCP or epoxy / N.A.
- Interfacial seal, grommet seal, O-ring: fluorosilicone / N.A.
- Contact: copper alloy / gold plate per ASTM B 488m, Type II, Code C, Class 1.25, over suitable underplate

Dimensions in Inches (millimeters) are subject to change without notice.





Series 803 Mighty Mouse, ¼ Turn Bayonet Coupling Receptacle with Crimp Removable Contacts

803-003 and 803-004 Ordering Information



Series 803 receptacle feature Push-To-Mate, ¼ turn to lock mating. These quick-mating connectors feature bayonet pins on the receptacle. Simply push the connectors together, then rotate the plug coupling nut 90° to lock the connectors together. Supplied with crimp contacts, packaged separately. Terminate contacts with standard M22520 tools. Metal clips inside the connector body lock contact into place and are removable. Fluorosilicone interfacial seal and rear grommet protect from water ingress. Integral band platform and boot groove for direct attachment of a cable shield, for use with Band-Master® ATS band (sold separately), and complete cable termination with Series 77 heat-shrink boot or overmold directly onto the band platform. Select accessory thread option to attach backshell or strain relief attachments.

How To Order

Sample Part Number	803-003	-07	NF	6-7	S	N
Series (See Table I)	803-003 = Receptacle with Banding Platform 803-004 = Receptacle with Accessory Thread					
Shell Style (See Table II)	-01 = In-Line -02 = Flange Mount -07 = Jam-Nut					
Shell Material and Finish	C = Aluminum / Black Anodize (Non-Conductive); RoHS Compliant M = Aluminum / Electroless Nickel; RoHS Compliant MT = Aluminum / Nickel-PTFE RoHS Compliant NF = Aluminum / Cadmium with Olive Drab Chromate ZNU = Aluminum / Zinc-Nickel with Black Chromate Z1 = Stainless Steel / Passivated; RoHS Compliant					
Shell Size - Insert Arrangement	See Contact Arrangements Page F-2					
Contact Type	Connector supplied with contacts		Connector supplied without contacts			
	P = Pin		A = Pin Connector, less contacts			
	S = Socket		B = Socket Connector, less contacts			
	Contacts are supplied loose and not installed when supplied with connector. Coaxial contacts and non-standard signal contacts are ordered separately.					
Polarization (See Table III)	N = Normal X = Pos. X Y = Pos. y Z = Pos. Z					

Table III: Keyway Polarization

Pos.	A°	B°
N	150°	210°
X	75°	210°
Y	95°	230°
Z	140°	275°

Table I: Series

803-003 Plug with Banding Platform	803-004 Plug with Accessory Thread

Table II: Shell Style

-01 In-line	-02 Flange Mount	-07 Jam-Nut

NOTES

- Contacts are size 23 crimp type, and are used in a rear release retention system
- For additional insert arrangements consult factory
- Crimp barrel accommodates 22, 24, 26 and 28 gage wire
- Crimp Tool Data:
 - Crimp Frame: M22520/2-01
 - Positioner for use with crimp frame: "Glenair Part No. 809-005
 - Insertion tool: Glenair part no. 809-013
 - Extraction tool: Glenair part no. 809-007 (metal) and 809-0019 (plastic)
- Connector mates with all bayonet plug connectors with same polarization and opposite contact gender

Dimensions in Inches (millimeters) are subject to change without notice.

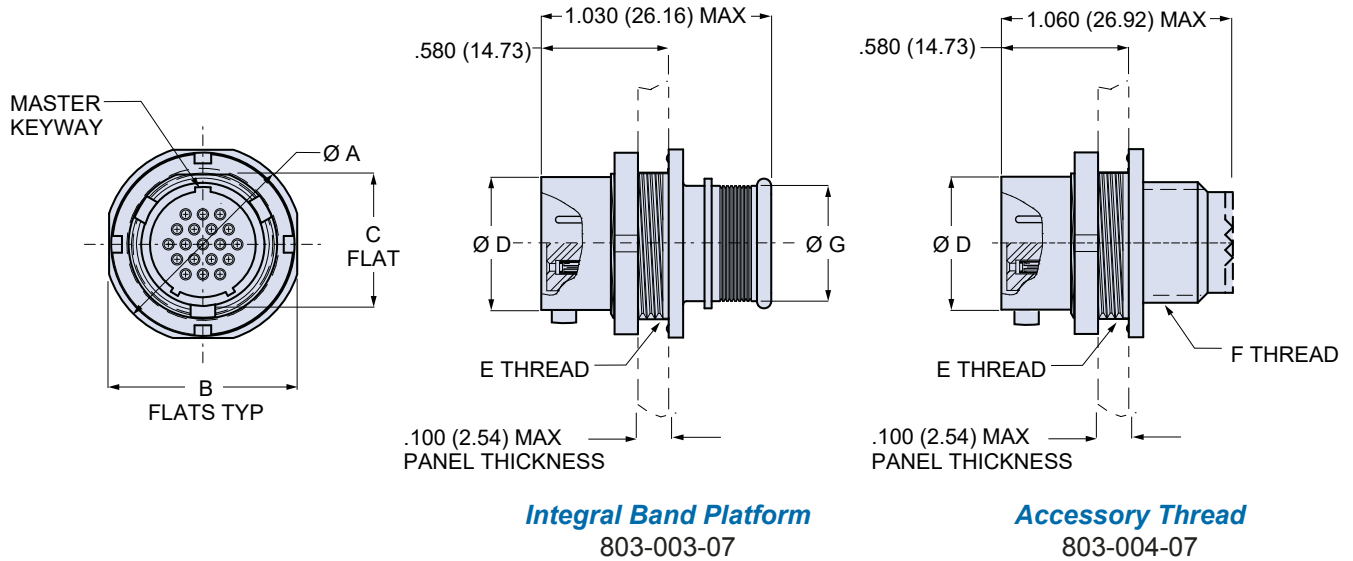
Series 803 Mighty Mouse ¼ Turn Bayonet Coupling Receptacle with Crimp Removable Contacts

803-004-07 and 803-003-07 Dimensions



Series 803

Jam-nut rear panel mount receptacle - shell style 07



Dimensions							
Shell Size	Ø A	B Flats	C Flat	Ø D	E Thread	F Thread	Ø G
5	.575 (14.60)	.545 (13.84)	.350 (8.89)	.300 (7.62)	.3750-32 UNEF-2A	.2500-32 UNEF-2A	.230 (5.84)
6	.635 (16.13)	.595 (15.11)	.410 (10.41)	.362 (9.19)	.4375-28 UNEF-2A	.3125-32 UNEF-2A	.286 (7.26)
7	.755 (19.18)	.723 (18.36)	.536 (13.61)	.436 (11.07)	.5625-32 UN-2A	.4375-28 UNEF-2A	.390 (9.91)
8	.755 (19.18)	.790 (20.07)	.593 (15.06)	.508 (12.90)	.6250-28 UN-2A	.5000-28 UNEF-2A	.440 (11.18)
9	.830 (21.08)	.790 (20.07)	.596 (15.14)	.561 (14.25)	.6250-28 UN-2A	.5625-24 UNEF-2A	.500 (12.70)
10	.890 (22.61)	.925 (23.50)	.721 (18.31)	.635 (16.13)	.7500-28 UN-2A	.6250-24 UNEF-2A	.562 (14.27)
12	1.078 (27.38)	1.044 (26.52)	.845 (21.46)	.714 (18.14)	.8750-28 UN-2A	.6875-24 UNEF-2A	.650 (16.51)
14	1.264 (32.11)	1.230 (31.24)	1.022 (25.96)	.865 (21.97)	1.0625-20 UN-2A	.9375-20 UNEF-2A	.805 (20.45)

Jam-Nut Panel Cutout Dimensions			
Shell Size	A Flat	Ø B	
		± .002 (.05)	+ .005 (+ 0.13) - .000 (-.00)
5	.355 (9.02)	.380 (9.65)	
6	.415 (10.54)	.442 (11.23)	
7	.541 (13.74)	.577 (14.66) .567 (14.40)	
8	.601 (15.27)	.630 (16.00)	
9	.601 (15.27)	.630 (16.00)	
10	.729 (18.52)	.755 (19.18)	
12	.850 (21.59)	.880 (22.35)	
14	1.031 (26.19)	1.067 (27.10)	

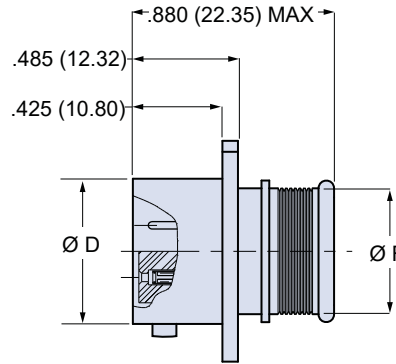
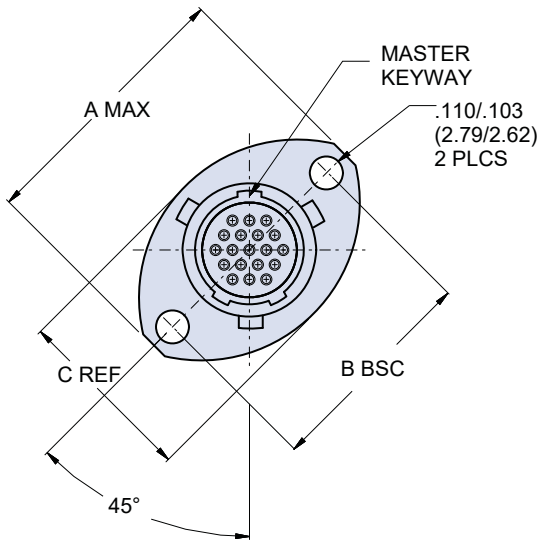
Material and Finish

- Shell, jam-nut: Aluminum alloy or CRES / see how to order table
- Insulator: LCP or epoxy / N.A.
- Interfacial seal, grommet seal: fluorosilicone / N.A.
- Contact: copper alloy / gold plate per ASTM B 488, Type II, Class 1.25, over suitable underplate

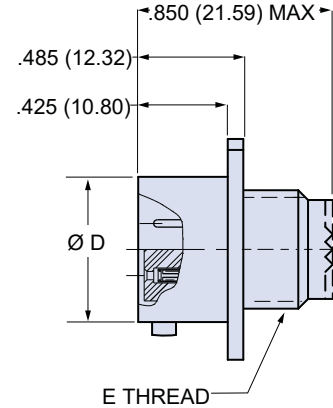
Dimensions in Inches (millimeters) are subject to change without notice.



Flange mount front or rear panel mount receptacle - shell style 02



Integral Band Platform
803-003-02



Accessory Thread
803-004-02

Dimensions

Shell Size	A Max.	B Bsc.	C Ref.	Ø D	E Thread	Ø F
5	.703 (17.86)	.513 (13.03)	.460 (11.68)	.300 (7.62)	.2500-32 UNEF-2A	.230 (5.84)
6	.788 (20.02)	.598 (15.19)	.522 (13.26)	.362 (9.19)	.3125-32 UNEF-2A	.286 (7.26)
7	.890 (22.61)	.708 (17.98)	.590 (14.99)	.436 (11.07)	.4375-28 UNEF-2A	.390 (9.91)
8	1.154 (29.31)	.964 (24.49)	.668 (16.97)	.508 (12.90)	.5000-28 UNEF-2A	.440 (11.18)
9	1.207 (30.66)	1.017 (25.83)	.721 (18.31)	.561 (14.25)	.5625-24 UNEF-2A	.500 (12.70)
10	1.291 (32.79)	1.101 (27.97)	.795 (20.19)	.635 (16.13)	.6250-24 UNEF-2A	.562 (14.27)
12	1.394 (35.41)	1.204 (30.58)	.874 (22.20)	.714 (18.14)	.6875-24 UNEF-2A	.650 (16.51)
14	1.545 (39.24)	1.280 (32.51)	1.050 (26.67)	.865 (21.97)	.9375-20 UNEF-2A	.805 (20.45)

Flange Mount Panel Cutout Dimensions

Shell Size	A	Ø B
5	.513 (13.03)	.382 (9.70)
6	.598 (15.19)	.445 (11.30)
7	.708 (17.98)	.520 (13.21)
8	.964 (24.49)	.592 (15.04)
9	1.017 (25.83)	.645 (16.38)
10	1.101 (27.97)	.726 (18.44)
12	1.204 (30.58)	.832 (21.13)
14	1.280 (32.51)	.950 (24.13)

Material and Finish

- Shell: Aluminum alloy or CRES / see how to order table
- Insulator: LCP or epoxy / N.A.
- Interfacial seal, grommet seal: fluorosilicone / N.A.
- Contact: copper alloy / gold plate per ASTM B 488, Type II, Class 1.25, over suitable underplate

Dimensions in Inches (millimeters) are subject to change without notice.

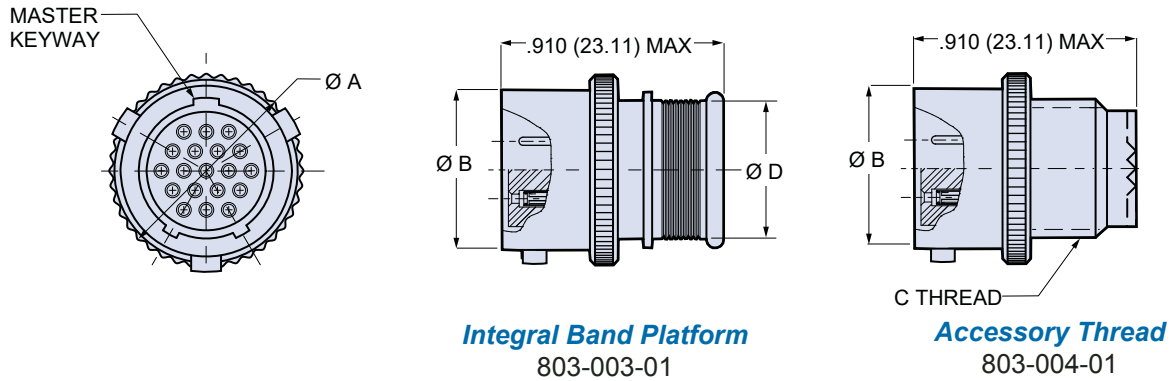
Series 803 Mighty Mouse, ¼ Turn Bayonet Coupling Receptacle with Crimp Removable Contacts

803-004-01 and 803-003-01 Dimensions



Series 803

In-line cable receptacle - shell style 01



Dimensions				
Shell Size	Ø A Max.	Ø B	C Thread	Ø D
5	.402 (10.21)	.300 (7.62)	.2500-32 UNEF-2A	.230 (5.84)
6	.465 (11.81)	.362 (9.19)	.3125-32 UNEF-2A	.286 (7.26)
7	.500 (12.70)	.436 (11.07)	.4375-28 UNEF-2A	.390 (9.91)
8	.570 (14.48)	.508 (12.90)	.5000-28 UNEF-2A	.440 (11.18)
9	.652 (16.56)	.561 (14.25)	.5625-24 UNEF-2A	.500 (12.70)
10	.715 (18.16)	.635 (16.13)	.6250-24 UNEF-2A	.562 (14.27)
12	.805 (20.45)	.714 (18.14)	.6875-24 UNEF-2A	.650 (16.51)
14	.915 (23.24)	.865 (21.97)	.9375-20 UNEF-2A	.805 (20.45)

Material and Finish

- Shell: Aluminum alloy or CRES / see how to order table
- Insulator: LCP or epoxy / N.A.
- Interfacial seal, grommet seal: fluorosilicone / N.A.
- Contact: copper alloy / gold plate per ASTM B 488, Type II, Class 1.25, over suitable underplate

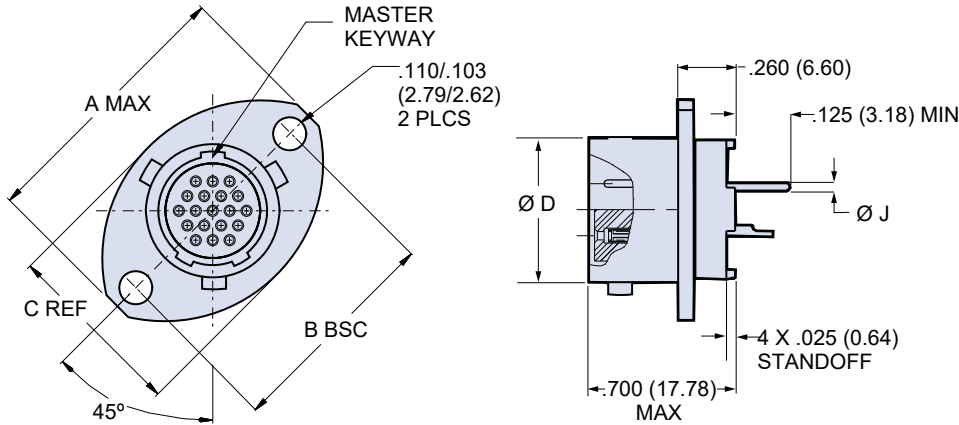
Dimensions in Inches (millimeters) are subject to change without notice.

Series 803 Mighty Mouse, ¼ Turn Bayonet Coupling PC Tail and Solder Cup Receptacle 803-005 and 803-015 Dimensions



Series 803

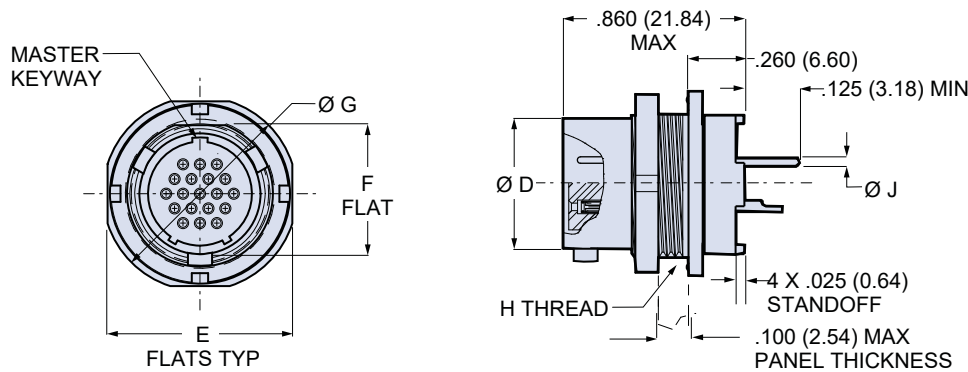
Flange mount, front or rear panel mount receptacle - shell style 02



Material and Finish

- Shell: Aluminum alloy or CRES / see how to order table
- Insulator: LCP or epoxy / N.A.
- Interfacial seal, grommet seal: fluorosilicone / N.A.
- Contact: copper alloy / gold plate per ASTM B 488, Type II, Class 1.25, over suitable underplate

Jam-nut, rear panel mount receptacle - shell style 01



Material and Finish

- Shell: Aluminum alloy or CRES / see how to order table
- Insulator: LCP or epoxy / N.A.
- Interfacial seal, grommet seal: fluorosilicone / N.A.
- Contact: copper alloy / gold plate per ASTM B 488, Type II, Class 1.25, over suitable underplate

Dimensions									
Shell Size	A Max.	B Bsc.	C Ref.	Ø D	E Flats	F Flat	Ø G	H Thread	Ø J Tail Dia.
5	.703 (17.86)	.513 (13.03)	.460 (11.68)	.300 (7.62)	.545 (13.84)	.350 (8.89)	.575 (14.60)	.3750-32 UNEF-2A	#23 .018/.022 (0.46/0.56)
6	.788 (20.02)	.598 (15.19)	.522 (13.26)	.362 (9.19)	.595 (15.11)	.410 (10.41)	.635 (16.13)	.4375-28 UNEF-2A	#20 .024/.028 (0.61/0.71)
7	.890 (22.61)	.708 (17.98)	.590 (14.99)	.436 (11.07)	.723 (18.36)	.536 (13.61)	.755 (19.18)	.5625-32 UN-2A	#16 .060/.064 (1.52/1.63)
8	1.154 (29.31)	.964 (24.49)	.668 (16.97)	.508 (12.90)	.790 (20.07)	.593 (15.06)	.755 (19.18)	.6250-28 UN-2A	#12 .092/.096 (2.34/2.44)
9	1.207 (30.66)	1.017 (25.83)	.721 (18.31)	.561 (14.25)	.790 (20.07)	.596 (15.14)	.830 (21.08)	.6250-28 UN-2A	
10	1.291 (32.79)	1.101 (27.97)	.795 (20.19)	.635 (16.13)	.925 (23.50)	.721 (18.31)	.890 (22.61)	.7500-28 UN-2A	
12	1.394 (35.41)	1.204 (30.58)	.874 (22.20)	.714 (18.14)	1.044 (26.52)	.845 (21.46)	1.078 (27.38)	.8750-28 UN-2A	
14	1.545 (39.24)	1.280 (32.51)	1.050 (26.67)	.865 (21.97)	1.230 (31.24)	1.022 (25.96)	1.264 (32.11)	1.0625-20 UN-2A	

Dimensions in Inches (millimeters) are subject to change without notice.

NOTES

1. Contacts are size 23, non removable, and connector is back-potted
2. For additional insert arrangements consult factory
3. Connector mates with all bayonet plug connectors with same polarization and opposite contact gender



Series 803 Mighty Mouse 1/4 Turn Bayonet Coupling Hermetic Receptacle, PC Tail and Solder Cup

803-006 Ordering Information



Series 803 Hermetic Receptacles feature 304L stainless steel shells and fused glass insulators for less than 1×10^{-7} cc/second maximum helium leak rate at 1 atmosphere vacuum. Select PC tail contacts for attachment to flexible ribbon or rigid board or chose solder cup contacts for direct wire attachment. Hermetic contacts are gold-plated iron alloy. Jam-nut rear panel mount and flange mount, front or rear panel mount shell styles are available. 1000 PSI Pressure Rating in open face (unmated) condition.

How To Order						
Sample Part Number	803-006	-07	Z1	9-19	P	N
Series	803-006 = Hermetic Receptacle, Solder Cup or PCB Contacts					
Shell Style (See Table I)	-02 = Flange Mount -07 = Jam-Nut					
Shell Material and Finish	Z1 = Stainless Steel / Passivated; RoHS Compliant ZL = Stainless Steel/Nickel Plated					
Shell Size - Insert Arrangement	See Contact Arrangements Page F-2					
Contact Type	C = Pin, PC Tail D = Socket, PC Tail		P = Pin, Solder Cup S = Socket, Solder Cup			
Polarization (See Table II)	N = Normal X = Pos. X Y = Pos. y Z = Pos. Z					

Table I: Shell Style	
-02 Flange Mount	-07 Jam-Nut

Table II: Keyway Polarization			
Pos.	A°	B°	
N	150°	210°	
X	75°	210°	
Y	95°	230°	
Z	140°	275°	

NOTES

- Hermeticity: less than 1×10^{-7} ccHe/sec at 1 ATM

Panel Cut-Out Dimensions				
Shell Size	Ø M	N Bsc.	H Flat ± .002 (.05)	Ø B +.005 (+ 0.13) -.000 (-.00)
5	.382 (9.70)	.513 (13.03)	.355 (9.02)	.380 (9.65)
6	.445 (11.30)	.598 (15.19)	.415 (10.54)	.442 (11.23)
7	.520 (13.21)	.708 (17.98)	.541 (13.74)	.577 (14.66) .567 (14.40)
8	.592 (15.04)	.964 (24.49)	.601 (15.27)	.630 (16.00)
9	.645 (16.38)	1.017 (25.83)	.601 (15.27)	.630 (16.00)
10	.726 (18.44)	1.101 (27.97)	.729 (18.52)	.755 (19.18)
12	.832 (21.13)	1.204 (30.58)	.850 (21.59)	.880 (22.35)
14	.950 (24.13)	1.280 (32.51)	1.029 (26.14)	1.067 (27.10)

2X Ø.122
Ø .004(M)

Ø J
H FLAT

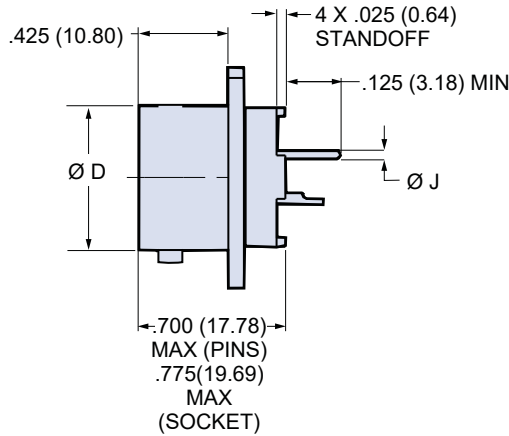
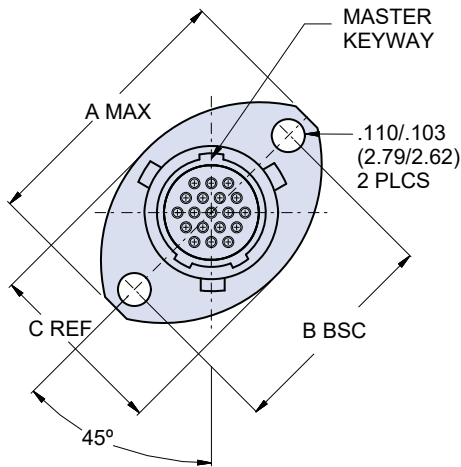
Dimensions in Inches (millimeters) are subject to change without notice.

Series 803 Mighty Mouse ¼ Turn Bayonet Coupling Hermetic Receptacle, PC Tail and Solder Cup 803-006-02 and 803-006-07 Dimensions



Series 803

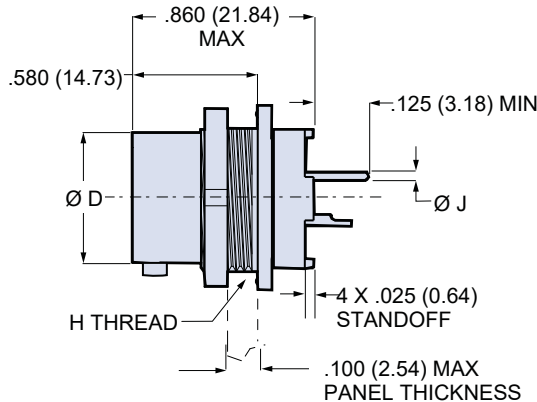
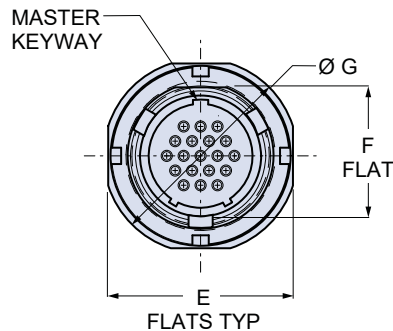
Flange mount, front or rear panel mount receptacle - shell style 02



Material and Finish

- Shell: SST / see how to order table
- Insulator, hermetic: fused glass / N.A.
- Insulator, socket: high-grade rigid dielectric / N.A.
- Seals: fluorosilicone/N.A.
- Contact, hermetic: alloy 52 / gold plate
- Contact: copper alloy / gold plate
- Potting compound: epoxy

Jam-nut rear panel mount receptacle - shell style 07



Material and Finish

- Shell, jam-nut: SST / see how to order table
- Insulator, hermetic: fused glass / N.A.
- Insulator, socket: high-grade rigid dielectric / N.A.
- Seals: fluorosilicone/N.A.
- Contact, hermetic: alloy 52 / gold plate
- Contact: copper alloy / gold plate
- Potting compound: epoxy

Dimensions									
Shell Size	A Max.	B Bsc.	C Ref.	Ø D	E Flats	F Flat	Ø G	H Thread	Ø J Tail Dia.
5	.703 (17.86)	.513 (13.03)	.460 (11.68)	.300 (7.62)	.545 (13.84)	.350 (8.89)	.575 (14.60)	.3750-32 UNEF-2A	#23 .018/.022 (0.46/0.56)
6	.788 (20.02)	.598 (15.19)	.522 (13.26)	.362 (9.19)	.595 (15.11)	.410 (10.41)	.635 (16.13)	.4375-28 UNEF-2A	#20 .024/.028 (0.61/0.71)
7	.890 (22.61)	.708 (17.98)	.590 (14.99)	.436 (11.07)	.723 (18.36)	.536 (13.61)	.755 (19.18)	.5625-32 UN-2A	#16 .060/.064 (1.52/1.63)
8	1.154 (29.31)	.964 (24.49)	.668 (16.97)	.508 (12.90)	.790 (20.07)	.593 (15.06)	.830 (21.08)	.6250-32 UN-2A	#12 .092/.096 (2.34/2.44)
9	1.207 (30.66)	1.017 (25.83)	.721 (18.31)	.561 (14.25)	.790 (20.07)	.593 (15.06)	.830 (21.08)	.6250-28 UN-2A	
10	1.291 (32.79)	1.101 (27.97)	.795 (20.19)	.635 (16.13)	.925 (23.50)	.721 (18.31)	.955 (24.26)	.7500-28 UN-2A	
12	1.394 (35.41)	1.204 (30.58)	.874 (22.20)	.714 (18.14)	1.044 (26.52)	.845 (21.46)	1.078 (27.38)	.8750-28 UN-2A	
14	1.545 (39.24)	1.280 (32.51)	1.050 (26.67)	.865 (21.97)	1.230 (31.24)	1.022 (25.96)	1.264 (32.11)	1.0625-20 UN-2A	

Dimensions in Inches (millimeters) are subject to change without notice.

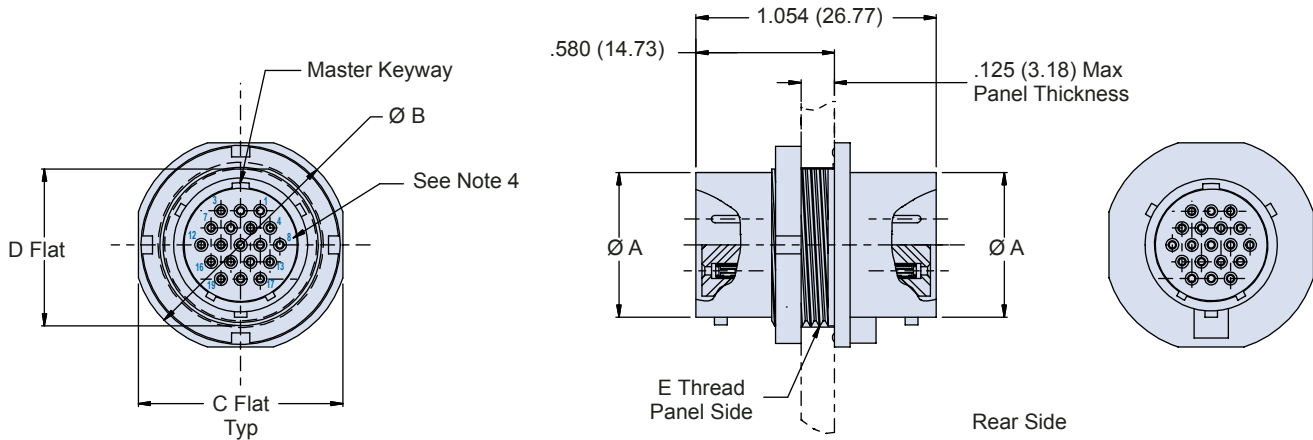
Series 803 Mighty Mouse ¼ Turn Bayonet Coupling Bulkhead Feed-Thru Connector

803-010-07 and 803-010-02 Dimensions



Series 803

Jam-nut rear panel mount feed-thru - shell style 07



Flange mount front or rear panel mount feed-thru - shell style 02

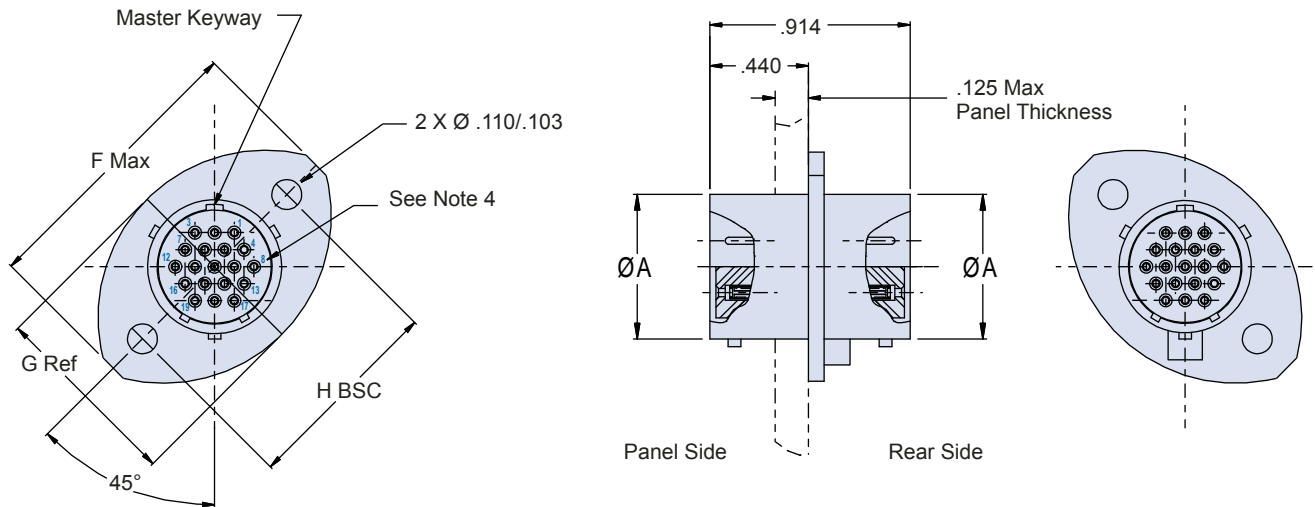


Table I: Dimensions

Shell Size	$\varnothing A$	$\varnothing B$	C Flat	D Flat	E Thread	F Max	G Ref	H Bsc	J Flat +.004 (.010) -.000 (0.25)	$\varnothing K$ $\pm .005 (.02)$
5	0.300 (7.62)	0.575 (14.60)	0.545 (13.84)	0.350 (8.89)	.3750-32 UNEF-2A	0.703 (17.86)	0.460 (11.68)	0.513 (13.03)	0.353 (8.97)	0.382 (9.70)
6	0.362 (9.19)	0.635 (16.13)	0.595 (15.11)	0.410 (10.41)	.4375-28 UNEF-2A	0.788 (20.02)	0.522 (13.26)	0.598 (15.19)	0.413 (10.49)	0.445 (11.30)
7	0.436 (11.07)	0.755 (19.18)	0.723 (18.36)	0.536 (13.61)	.5625-32 UN-2A	0.890 (22.61)	0.590 (14.99)	0.708 (17.98)	0.539 (13.69)	0.572 (14.53)
8	0.508 (12.90)	0.755 (19.18)	0.723 (18.36)	0.534 (13.56)	.5625-32 UN-2A	1.154 (29.31)	0.668 (16.97)	0.964 (24.49)	0.539 (13.69)	0.583 (14.81)
9	0.561 (14.25)	0.830 (21.08)	0.790 (20.07)	0.596 (15.14)	.6250-28 UN-2A	1.207 (30.66)	0.721 (18.31)	1.017 (25.83)	0.599 (15.21)	0.643 (16.33)
10	0.635 (16.13)	0.890 (22.61)	0.855 (21.72)	0.663 (16.84)	.6875-28 UN-2A	1.291 (32.79)	0.795 (20.19)	1.101 (27.97)	0.669 (16.99)	0.720 (18.29)
12	0.714 (18.14)	1.078 (27.38)	1.044 (26.52)	0.845 (21.46)	.875-28 UN-2A	1.394 (35.41)	0.874 (22.20)	1.204 (30.58)	0.848 (21.54)	0.885 (22.48)
14	0.865 (21.97)	1.264 (32.11)	1.230 (31.24)	1.022 (25.96)	1.0625-20 UN-2A	1.545 (39.24)	1.050 (26.67)	1.280 (32.51)	1.029 (26.14)	1.072 (27.23)
15	0.925 (23.50)	1.325 (33.65)	1.290 (32.77)	1.096 (27.84)	1.125-28 UN-2A	1.630 (41.40)	1.150 (29.21)	1.370 (34.80)	1.099 (27.91)	1.135 (28.83)

Dimensions in Inches (millimeters) are subject to change without notice.

Series 803 Harsh Environment Shielded Cordsets



High performance Mighty Mouse cordsets feature easy ordering and fast delivery. These fully shielded and watertight assemblies withstand abrasion, temperature extremes and chemicals. Flexible overmolding provides rugged, watertight protection to wire and shield. Two styles are available: **Style 1** polyamide overmold and polyurethane cable jacket, and **Style 2** improved temperature range, high flexibility thermoplastic rubber overmold and cable jacket. Overmolded Mighty Mouse cordsets are suitable for military gear and other hostile environments where interconnect reliability and survivability is essential.

Product Features

- Single-ended or double-ended
- Rugged, watertight construction
- 100% electrically tested
- Flexible to -55°C. (Style 2)
- Stainless steel shield termination band
- Resistant to chemicals
- Withstands UV and ozone

Harsh Environment Cordset Selection Guide		
Property	Style 1 Polyurethane Jacket Polyamide Overmold	Style 2 Rubber Jacket Rubber Overmold
Cable jacket	Thermoplastic polyurethane (TPU), black	Thermoplastic elastomer (TPV), black
Overmold	Polyamide, black	Thermoplastic elastomer (TPV), black
Operating temperature	-30° C. to +105° C.	-55° C. to +135° C.
Flexibility	Good	Excellent
Water Resistance	Waterproof	Waterproof
Solvent Resistance, Cable Jacket	Excellent	Good
Solvent Resistance, Overmold	Fair ⁽¹⁾	Good
Weatherability	Excellent	Excellent
Abrasion Resistance	Excellent	Good
Flammability	Flame retardant UL 94 V-0	Flame retardant UL 94 HB
Low Smoke, Zero Halogen Cable Jacket	Yes	No
(1) Excellent resistance to most solvents, fuels, and oils; poor resistance to strong acids and bipolar solvents (alcohol)		

Specifications

Cable jacket	Style 1: thermoplastic polyurethane, black, low-smoke, zero-halogen Style 2: thermoplastic elastomer, black
Overmold	Style 1: polyamide Style 2: thermoplastic elastomer, black
Cable shield	Tin-coated copper braid, 90% minimum coverage
Conductors	Silver coated stranded wire, TFE insulated, per M22759/11
Shield Termination	Band-Master™ ATS stainless steel shield termination band
Current rating	#23-5 amps, #20-7.5 amps, #16-13 amps, #12-23 amps
Test voltage (DWV)	#23 500 Vac, #20 500 vac, #16 and #12 500 VAC sea level
Insulation resistance	200 Megohms minimum
Shielding effectiveness	50 dB minimum from 100MHz to 1000MHz.

High-Speed Cordsets

Controlled impedance twisted pair cordsets for Ethernet, USB and other protocols are available. Please refer to Section U

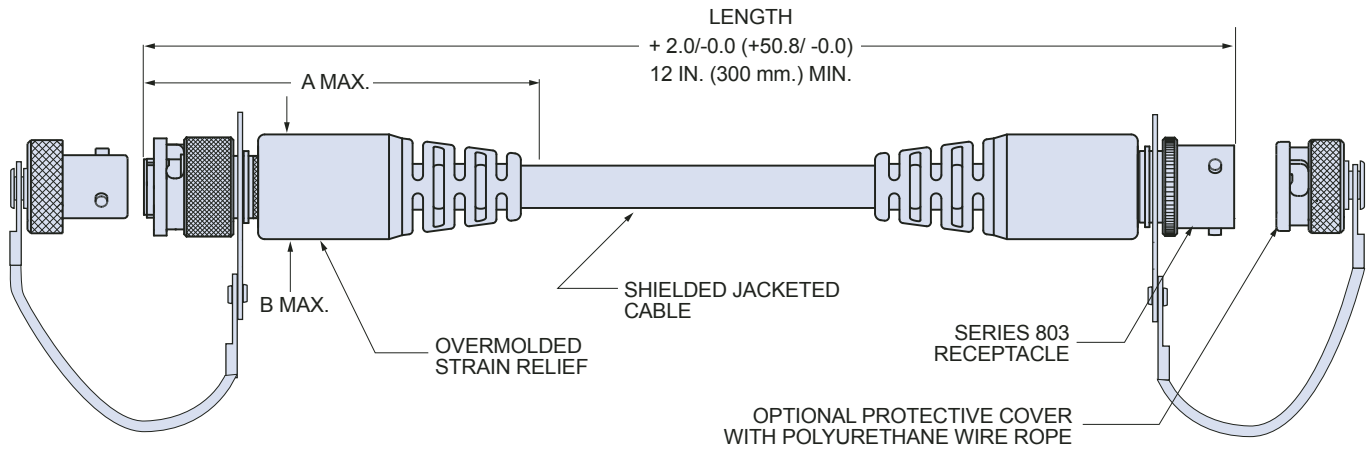
Dimensions in Inches (millimeters) are subject to change without notice.

Series 803 Mighty Mouse ¼ Turn Bayonet Coupling Shielded Overmolded Harsh Environment Cordsets

Dimensions



Series 803



Dimensions				
Shell Size	A Max.		B Max.	
	In.	mm.	In.	mm.
5	2.38	60.45	0.50	12.70
6	2.48	62.99	0.55	13.97
7	2.58	65.53	0.65	16.51
8	2.65	67.31	0.71	18.03
9	2.85	72.39	0.78	19.81
10	2.82	71.63	0.82	20.83
12	3.00	76.20	0.9	22.86
14	3.20	81.28	1.10	27.94

NOTES

1. Double-ended cordsets are wired pin #1 to pin #1, #2 to #2, and so on.
2. Wires are silver-coated stranded copper with TFE insulation, 600V, in accordance with M22759/11.
3. Wire color is IAW MIL-STD-681 for cables containing 10 wires or less. For cable containing more than 10 wires, wire color is white.

Dimensions in Inches (millimeters) are subject to change without notice.



Series 803 Mighty Mouse ¼ Turn Bayonet Coupling Shielded Overmolded Harsh Environment Cordsets

803-009, 030, -016, and -031 Ordering Information

Series 803 Cordsets with #23 Contacts								
Sample Part Number								
803-009	-A	C	2	M	8-28	N	X	-36
Series	End A Connector	End B Connector	Wire Size	Shell Material/ Finish	Insert Arr.	Protective Cover	Shell Key Pos.	Length
803-009 Style 1 Polyurethane Cable Jacket, Polyamide Overmold	-A Plug, with Male Pin Contacts -B Plug, with Female Socket Contacts	A Plug, with Male Pin Contacts B Plug, with Female Socket Contacts	2 #22 AWG 4 #24 AWG	M Aluminum / Electroless Nickel NF Aluminum / Cadmium with OD Chromate ZNU Aluminum / Zinc- Nickel with Black Chromate MT Aluminum / Nickel-PTFE Z1 Stainless Steel / Passivated	See page F-2 for insert arr. Consult Factory for Combo Arr.	P Metal Protective Covers Included N No Covers Supplied	N Normal X Pos. X Y Pos. Y Z Pos. Z See page F-3	Overall Length In Inches 12 Inch Min.
803-030 Style 2 Rubber Cable Jacket and Overmold	-C Receptacle, with Male Pin Contacts -D Receptacle, with Female Socket Contacts	C Receptacle, with Male Pin Contacts D Receptacle, with Female Socket Contacts N No Connector (Single-Ended)						

Series 803 Cordsets with #20HD Contacts								
Sample Part Number								
803-041	-A	C	0	M	8-28	N	X	-36
Series	End A Connector	End B Connector	Wire Size	Shell Material/ Finish	Insert Arr.	Protective Cover	Shell Key Pos.	Length
803-016 Style 1 Polyurethane Cable Jacket, Polyamide Overmold	-A Plug, with Male Pin Contacts -B Plug, with Female Socket Contacts	A Plug, with Male Pin Contacts B Plug, with Female Socket Contacts	0 #20 AWG 2 #22 AWG	M Aluminum / Electroless Nickel NF Aluminum / Cadmium with OD Chromate ZNU Aluminum / Zinc- Nickel with Black Chromate MT Aluminum / Nickel- PTFE Z1 Stainless Steel / Passivated	See page F-2 for insert arr. Consult Factory for Combo Arr.	P Metal Protective Covers Included N No Covers Supplied	N Normal X Pos. X Y Pos. Y Z Pos. Z See page F-3	Overall Length In Inches 12 Inch Min.
803-031 Style 2 Rubber Cable Jacket and Overmold,	-C Receptacle, with Male Pin Contacts -D Receptacle, with Female Socket Contacts	C Receptacle, with Male Pin Contacts D Receptacle, with Female Socket Contacts N No Connector (Single-Ended)						

Dimensions in Inches (millimeters) are subject to change without notice.

Series 803 Mighty Mouse ¼ Turn Bayonet Coupling Shielded Overmolded Harsh Environment Cordsets

803-013, -032, -014 and -033 Ordering Information



Series 803

Series 803 Cordsets with #16 Contacts								
Sample Part Number								
803-013	-A	C	6	M	8-28	N	X	-36
Series	End A Connector	End B Connector	Wire Size	Shell Material/ Finish	Insert Arr.	Protective Cover	Shell Key Pos.	Length
803-013 Style 1 Polyurethane Cable Jacket, Polyamide Overmold	-A Plug, with Male Pin Contacts	A Plug, with Male Pin Contacts	6 #16 AWG	M Aluminum / Electroless Nickel	See page F-2 for insert arr.	P Metal Protective Covers Included	N Normal X Pos. X	Overall Length In Inches 12 Inch Min.
803-032 Style 2 Rubber Cable Jacket and Rubber Overmold	-B Plug, with Female Socket Contacts -C Receptacle, with Male Pin Contacts -D Receptacle, with Female Socket Contacts	B Plug, with Female Socket Contacts C Receptacle, with Male Pin Contacts D Receptacle, with Female Socket Contacts N No Connector (Single-Ended)	8 #18 AWG	NF Aluminum / Cadmium with OD Chromate ZNU Aluminum / Zinc- Nickel with Black Chromate MT Aluminum / Nickel-PTFE Z1 Stainless Steel / Passivated	Consult Factory for Combo Arr.	N No Covers Supplied	Y Pos. Y Z Pos. Z See page F-3	

Series 803 Cordsets with #20HD Contacts								
Sample Part Number								
803-014	-A	C	0	M	8-28	N	X	-36
Series	End A Connector	End B Connector	Wire Size	Shell Material / Finish	Insert Arr.	Protective Cover	Shell Key Pos.	Length
803-014 Style 1 Polyurethane Cable Jacket, Polyamide Overmold,	-A Plug, with Male Pin Contacts	A Plug, with Male Pin Contacts	0 #20 AWG	M Aluminum / Electroless Nickel	See page F-2 for insert arr.	P Metal Protective Covers Included	N Normal X Pos. X	Overall Length In Inches 12 Inch Min.
803-033 Style 2 Rubber Cable Jacket and Rubber Overmold,	-B Plug, with Female Socket Contacts -C Receptacle, with Male Pin Contacts -D Receptacle, with Female Socket Contacts	B Plug, with Female Socket Contacts C Receptacle, with Male Pin Contacts D Receptacle, with Female Socket Contacts N No Connector (Single-Ended)	2 #22 AWG	NF Aluminum / Cadmium with OD Chromate ZNU Aluminum / Zinc- Nickel with Black Chromate MT Aluminum / Nickel- PTFE Z1 Stainless Steel / Passivated	Consult Factory for Combo Arr.	N No Covers Supplied	Y Pos. Y Z Pos. Z See page F-3	



Dimensions in Inches (millimeters) are subject to change without notice.

Series 803 Ultraflexible “Phantom Cable” Cordsets



Product Features

- Overbraided cable jacket for excellent flexibility
- Ultra-lightweight AmberStrand® EMI shield
- 100% electrically tested
- Flexible to -55°C.
- Stainless steel shield termination band

F

Application Note

Overbraided textile jackets are ideal for applications where flexibility and weight are important. However, water can penetrate through the jacket and cable shield. Dust and contamination can also become entrapped in the braid. Braided jackets are prone to fraying damage caused by snagging on velcro closures and MOLLE vests. Extruded cable jackets are recommended if debris entrapment, moisture ingress or fraying damage are concerns.

Phantom Cable cordsets feature high-flex rubber-insulated wires, lightweight shield and overbraided jackets for maximum flexibility, reduced size and minimum weight. Flexible rubber overmold provides strain relief and environmental sealing. EMI shield options include high-strength, ultralightweight Amberstrand® nickel-coated composite braid, ArmorLite™ or lightweight, high flexibility tinned copper braid. Braid outer jackets are available with NOMEX®, HALAR® or PTFE-coated fiberglass.

Braid Shield Selection Guide

Property	Amberstrand®	Armorlite®	Copper
Type	Nickel-coated high-strength super fiber	Micro-filament nickel-coated stainless steel	Tin-coated copper
Weight/ft. (0.5 in. ID)	3.7 grams	4.4 grams	22.3 grams
Operating Temp ⁽¹⁾	-65° C to +200° C	-80° C to +260° C	-80° C to +150° C
Coverage	90% min.	90% min.	90% min.
Flexibility	Excellent	Excellent	Good
Cost Comparison	\$\$\$	\$\$	\$

(1) Rubber wires and rubber overmold are rated for -55° C to +135° C.

Jacket Selection Guide

Property	NOMEX®	HALAR®	PTFE Coated Fiberglass
Color	Black or olive drab	Black	Tan
Operating Temp ⁽¹⁾	-55° C to +260° C	-73° C to +150° C	-75° C to +300° C
Chemical Resistance	Excellent	Excellent	Excellent
Flammability	Self-extinguishing, will not melt	Fire retardant UL VW-1	Self-extinguishing
Toxicity	Non-toxic	Non-toxic	Non-toxic
Flexibility	Excellent	Excellent	Excellent
Abrasion resistance	Excellent	Excellent	Excellent

(1) Rubber wires and rubber overmold are rated for -55° C to +135° C.

Specifications

Cable jacket	NOMEX®, HALAR® or PTFE-coated fiberglass
Temperature Range	-55° C to +135° C
Overmold	Thermoplastic elastomer, black
Cable shield	AmberStrand®, ArmorLite® or tinned copper, 90% minimum coverage
Conductors	Silver coated stranded wire, rubber insulation
Shield Termination	Band-Master™ ATS stainless steel shield termination band
Current rating	5 amps
Test voltage (DWV)	500 Vac
Insulation resistance	200 Megohms minimum
Shielding effectiveness	50 dB minimum from 100MHz to 1000MHz.

Dimensions in Inches (millimeters) are subject to change without notice.

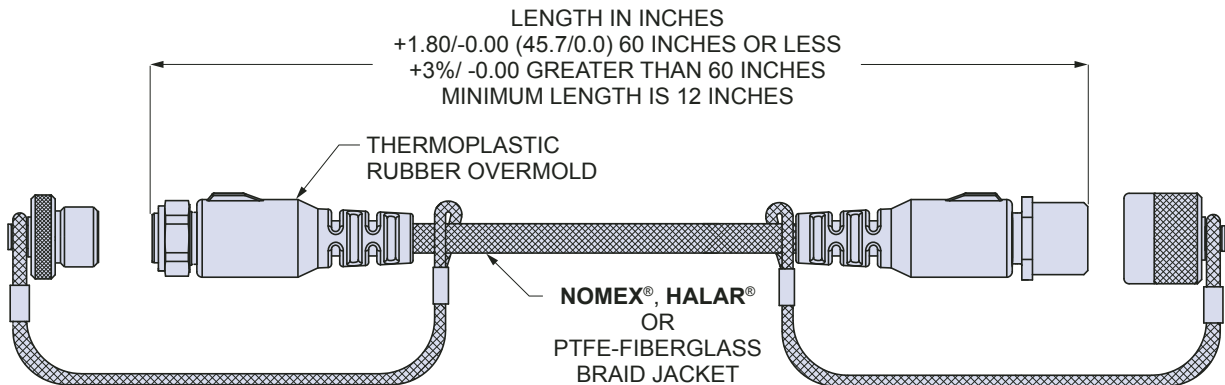
Series 803 Mighty Mouse with 1/4 Turn Bayonet Coupling Flexible, Lightweight Phantom Cable Cordsets

803-026, 803-027, 803-028, 803-029 Ordering Information



Series 803

Series 803 "Phantom Cable" Cordsets size #12 thru #23 Contacts										
Sample Part Number										
803-027	-B	N	2	Z1	5-3	N	X	-60	C	N
Series	End A Connector	End B Connector	Wire Size	Shell Material/ Finish	Insert Arr.	Protective Cover	Shell Key Pos.	Length	Shield Option	Jacket Option
Size #23 Contacts 803-026 Phantom Cable Cordset	-A Plug, with Male Pin Contacts -B Plug, with Female Socket Contacts	A Plug, with Male Pin Contacts B Plug, with Female Socket Contacts	Size #23 Contacts 4 #24 AWG 6 #26 AWG 8 #28 AWG	M Aluminum / Electroless Nickel NF Aluminum / Cadmium with OD Chromate ZNU Aluminum / Zinc-Nickel with Black Chromate MT Aluminum / Nickel-PTFE Z1 Stainless Steel / Passivated	See page F-2 for insert arr. Consult Factory for Combo Arr.	P Metal Protective Covers Included N No Covers Supplied	N Normal X Pos. X Y Pos. Y Z Pos. Z See page F-3	Overall Length In Inches Min.	A Amberstrand B Armorlite C Tin-Coated Copper	D Nomex, Olive Drab N Nomex, Black H Halar (Monofil) P Peek (Monofil)
Size #20 HD Contacts 803-027 Phantom Cable Cordset	-C Rec. with Male Pin Contacts -D Rec. with Female Socket Contacts	C Rec. with Male Pin Contacts D Rec. with Female Socket Contacts	Size #20 HD Contacts 0 #20 AWG 2 #22 AWG							
Size #16 Contacts 803-028 Phantom Cable Cordset		N No Connector (Single-Ended)	Size #16 Contacts 6 #16 AWG 8 #18 AWG							
Size #12 Contacts 803-029 Phantom Cable Cordset			Size #12 Contacts 2 #12 AWG 4 #14 AWG							



NOTES

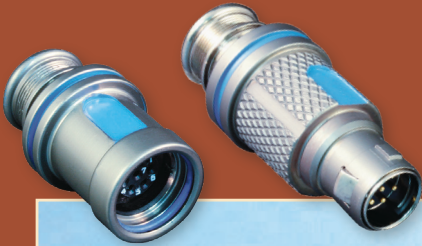
- Double-ended cordsets are wired pin #1 to pin #1, #2 to #2, and so on.
- Wires are silver-coated stranded copper with TPE insulation, 600V, UL VW-1 rated.
- Wires are white with color stripe per MIL-STD-681. Wire #1 is WHT/BLK, wire #2 is WHT/BRN, etc.

Dimensions in Inches (millimeters) are subject to change without notice.

SERIES 80

MIGHTY MOUSE

New Series 824 quick disconnect locking push-pull connector



Introducing the new Mighty Mouse Series 824 Locking Push-Pull Connector: all the familiar size, weight and performance advantages of the industry-standard Mighty Mouse 804 push-pull connector with a revolutionary low-profile locking coupling mechanism. Glenair's primary design goal in the development of the locking 824 was to bring mil-spec caliber connector performance to locking push-pull applications. The Series 824 Locking Push-Pull provides superior sealing, excellent EMI protection, low-profile ergonomic mating and de-mating, and easy crimp contact termination. The locking push-pull mechanism delivers visual, tactile, and audible mating confirmation under even the most extreme field conditions. Built for long-term durability and reduced size and weight, the high-density Series 824 Locking Push-Pull connector far surpasses commercial caliber push-pull connectors.

Glenair®

Glenair, Inc.
1211 Air Way
Glendale, CA 91201-2497
818-247-6000
sales@glenair.com
www.glenair.com

Series 804 Push-Pull Mighty Mouse Quick-Disconnect Connectors Table of Contents and Introduction



Series 804

PRODUCT SELECTION GUIDE



Series 804 Cable Plugs

Cable plugs are available with an integral shield termination platform for use with **Band-Master™ ATS** microbands sold separately, or with accessory threads for backshell attachment. Contacts are crimp-type, and are packaged with the connector.

Page G-7



Series 804 Cobra Style Plug

These connectors feature an integrated backshell equipped with a removable rear cover and gasket, providing an easy path to installing the supplied crimp contacts.

Page G-9



Series 804 Panel Mount Plugs with PCB or Solder Cup Terminals

These panel mount plugs offer reduced profiles inside the box compared to panel mount receptacles. Connector bodies are sealed with epoxy to assure a water-tight open face seal.

Page G-12



Series 804 Panel Mount Plugs with Banding Porch

These panel mount plugs offer reduced profiles inside the box compared to panel mount receptacles. Connector bodies are sealed with epoxy to assure a water-tight open face seal.

Page G-16



Series 804 Receptacles with Crimp Terminals

Choose in-line or jam-nut versions for panel mounting. Crimp receptacles are available with an integral shield termination platform or with accessory threads for backshell attachment. Contacts are crimp-type, and are packaged with the connector.

Page G-20



Series 804 Receptacles with PCB or Solder Cup Terminals

These panel mount connectors feature gold plated, factory-installed contacts. Connector bodies are sealed with epoxy to assure a water-tight open face seal.

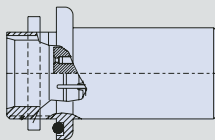
Page G-24



Series 804 Hermetic Receptacles

Need a miniaturized hermetic for a sealed box or instrument? These stainless steel, glass-sealed connectors are available with solder cup or PC tail contacts. 100% tested to meet 1×10^{-7} cc/sec helium leakage. Open face pressure rating 1000 PSI.

Page G-27



Series 804 Bulkhead Feed-Thru Receptacle Connector

Jam-Nut mount, shell sizes 5 to 15. This connector mates with all push/pull plug connectors with the same polarization and opposite contact genders. Copper alloy gold-plated contacts, pin to pin, pin to plug or plug to plug.

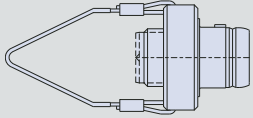
Page G-30

Dimensions in Inches (millimeters) are subject to change without notice.



Series 804 Push-Pull Mighty Mouse Quick-Disconnect Connectors Table of Contents and Introduction

PRODUCT SELECTION GUIDE



Series 804 with Lanyard

Connector plug with lanyard and crimp release contacts, shell size 5-15
Connector receptacle with lanyard and crimp release contacts, shell size 5-15

Page G-32

Page G-34



Series 804 Cordsets

Select standard polyurethane cable for general purpose applications, or specify low smoke/zero halogen polyurethane for applications where low toxicity is mandated. Select Phantom Cable for increased flexibility

Page G-36



Series 804 USB Cordset Hub

The Mighty Mouse USB Cordset Hub regulates 5V USB power from a 16V source while providing power management

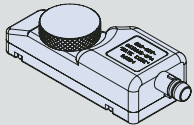
Page G-42



Series 804 USB Tactical Patch Cable

These ruggedized cordsets are available as single or double ended or right angle. Polyurethane jacket is suitable for general purpose applications or select Nomex® jacket for increased flexibility.

Page G-43



Series 804 Radio Connectors

Choose AN/PRC or RF7800T radio connectors with 804 quick disconnect connectors. Select un-cabled, cabled or pigtail versions

Page G-46



Series 804 USB Flash Drive

Mighty Mouse Series 804 USB 3.0 flash drive featuring a push/pull 804 series ruggedized interface and available in 8GB, 16GB, 32GB, or 64GB storage capacities.

Page G-48



Series 824 Locking Push Pull

The New Mighty Mouse Series 824 locking push-pull connectors provides superior sealing, excellent EMI protection, low-profile ergonomic mating and demating, and easy crimp contact termination. Finally mil-spec performance in a push-pull shell.

Page G-49

New locking push-pull with **SpeedMaster** 10G contacts

Page G-49

Dimensions in Inches (millimeters) are subject to change without notice.

Series 804 Push-Pull Mighty Mouse Quick-Disconnect Connectors

Contact Arrangements, Mating Face of Pin Insert Shown

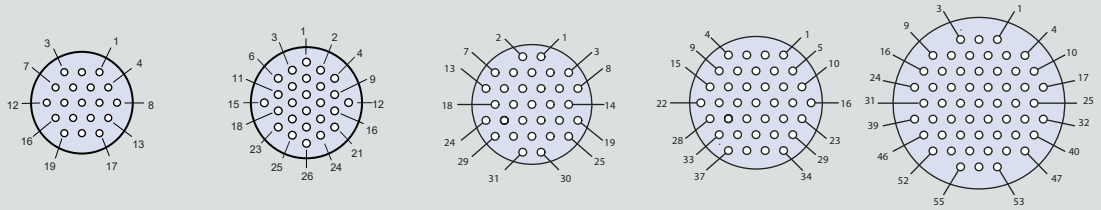


Series 804

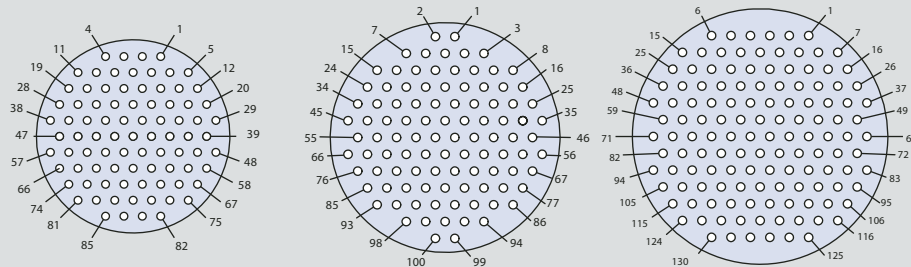
Size #23 Signal Contacts, Tested at 1800 VAC



Insert Arrangement	5-3	6-4	6-6	6-7	7-10	8-13
No. of Contacts	3	4	6	7	10	13



Insert Arrangement	9-19	10-26	11-31	12-37	14-55
No. of Contacts	19	26	31	37	55



Insert Arrangement	15-85	19-100	21-130
No. of Contacts	85	100	130

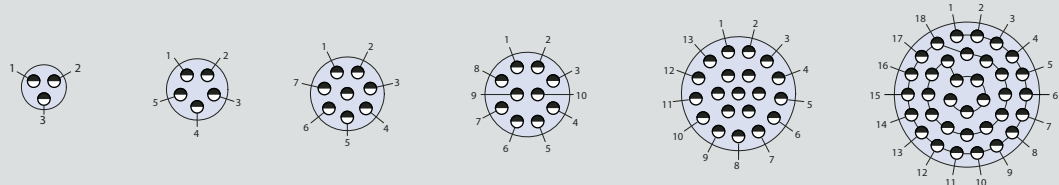
Dimensions in Inches (millimeters) are subject to change without notice.



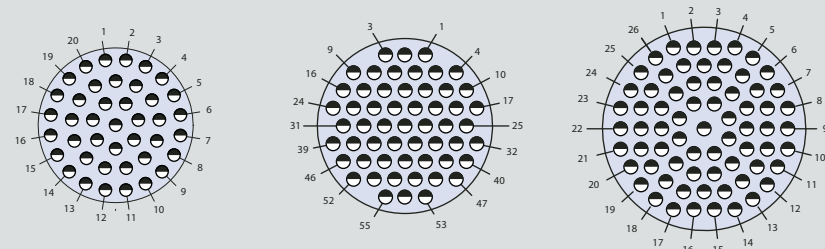
Series 804 Push-Pull Mighty Mouse Quick-Disconnect Connectors

Contact Arrangements, Mating Face of Pin Insert Shown

Size #20HD Power Contact Arrangements, Tested at 1000 VAC

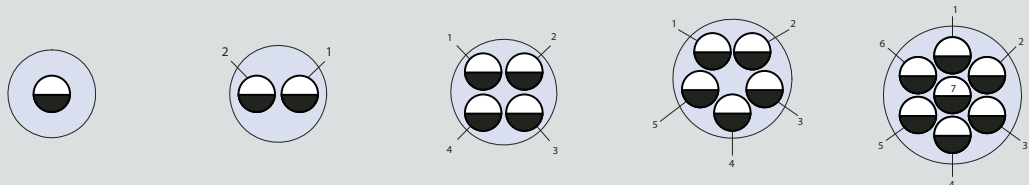


Insert Arrangement	6-23	7-25	8-28	9-210	12-220	14-235
No. of Contacts	3	5	8	10	20	35

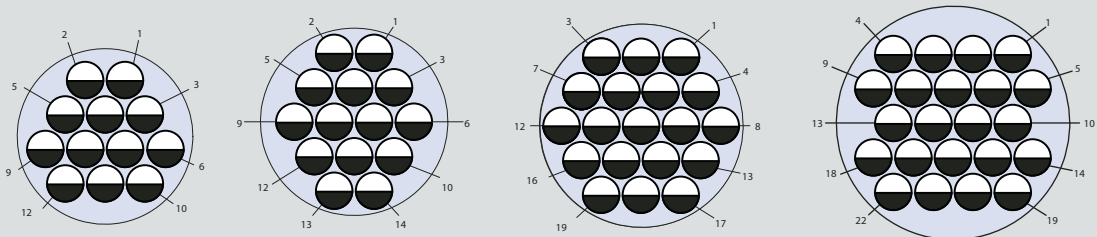


Insert Arrangement	15-241	19-255	21-269
No. of Contacts	41	55	

Size #16 Power Contacts, Tested at 1800 VAC



Insert Arrangement	6-1	8-2	9-4	10-5	12-7
No. of Contacts	1	2	4	5	7



Insert Arrangement	14-12	15-14	19-19	21-22
No. of Contacts	12	14	19	22

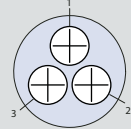
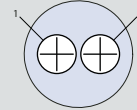
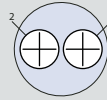
Dimensions in Inches (millimeters) are subject to change without notice.

**Series 804 Push-Pull Mighty Mouse
Quick-Disconnect Connectors**
Contact Arrangements, Mating Face of Pin Insert Shown

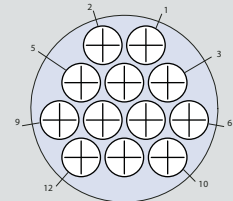
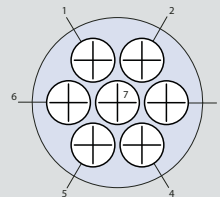
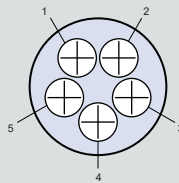
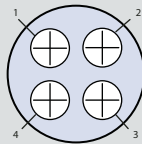


Series 804

Size #12 Power Contacts, Tested at 1800 VAC

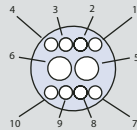
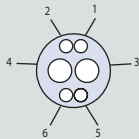


Insert Arrangement	7-1	10-2	12-2	12-3
No. of Contacts	1	2	2	3



Insert Arrangement	14-4	14-5	15-7	21-12
No. of Contacts	4	5	7	12

Size #20 Power and Size #23 Signal, Combo Contact Arrangements



Insert Arrangement	8-200		9-201	
Contact Size	#20	#23	#20	#23
No. of Contacts	2	4	2	8
VAC Test Voltage	750		750	

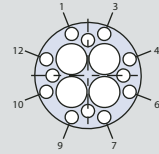
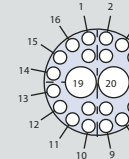
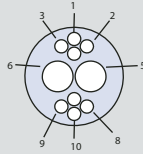
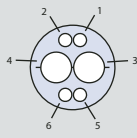
Dimensions in Inches (millimeters) are subject to change without notice.



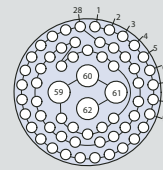
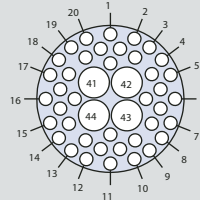
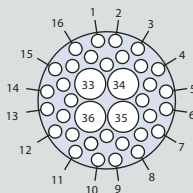
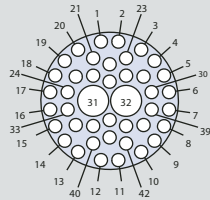
Series 804 Push-Pull Mighty Mouse Quick-Disconnect Connectors

Contact Arrangements, Mating Face of Pin Insert Shown

Size #16 Power and Size #23 Signal, Combo Contact Arrangements

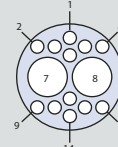
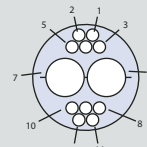
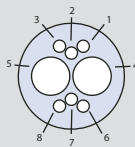
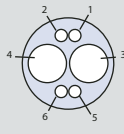
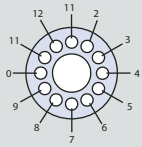


Insert Arrangement	9-200		10-202		12-202		12-203	
Contact Size	#16	#23	#16	#23	#16	#23	#16	#23
No. of Contacts	2	4	2	8	2	20	4	12
VAC Test Voltage	750		750		1300		1300	



Insert Arrangement	14-204		14-205		15-203		15-206	
Contact Size	#16	#23	#16	#23	#16	#23	#16	#23
No. of Contacts	2	40	4	32	4	40	4	58
VAC Test Voltage	1300		1300		1300		1300	

Size #12 Power and Size #23 Signal, Combo Contact Arrangements



Insert Arrangement	10-200		10-201		12-200		12-201		12-204	
Contact Size	#12	#23	#12	#23	#12	#23	#12	#23	#12	#23
No. of Contacts	1	12	2	4	2	6	2	10	2	12
VAC Test Voltage	750		750		750		750		1300	

Dimensions in Inches (millimeters) are subject to change without notice.

Series 804 Push-Pull Mighty Mouse Quick-Disconnect Connectors

Panel Cutout Dimensions, Polarization and Demate Force



Series 804

Panel Cutout Dimensions

Jam-Nut, Front Panel Mount Cutout Dimensions		
Shell Size	A Flat	Ø B
5	.482 (12.24)	.510 (12.95)
	.478 (12.14)	
6	.542 (13.77)	.575 (14.60)
	.538 (13.67)	
7	.676 (17.17)	.698 (17.73)
	.671 (17.04)	
8	.676 (17.17)	.698 (17.73)
	.671 (17.04)	
9	.732 (18.59)	.760 (19.30)
	.728 (18.49)	
10	.801 (20.35)	.822 (20.88)
	.796 (20.22)	
11	.855 (21.72)	.885 (22.48)
	.851 (21.62)	
12	.982 (24.94)	1.010 (25.65)
	.978 (24.84)	
14	1.032 (26.21)	1.075 (27.30)
	1.028 (26.11)	

Jam-Nut Rear Panel Mount Cutout Dimensions		
Shell Size	A Flat	Ø B
5	.425 (10.80)	.448 (11.38)
	.421 (10.69)	
6	.477 (12.12)	.510 (12.95)
	.473 (12.01)	
7	.590 (14.99)	.635 (16.13)
	.586 (14.88)	
8	.604 (15.34)	.635 (16.13)
	.600 (15.24)	
9	.665 (16.89)	.698 (17.73)
	.661 (16.79)	
10	.731 (18.57)	.760 (19.30)
	.727 (18.47)	
11	.800 (20.32)	.823 (20.90)
	.796 (20.22)	
12	.853 (21.67)	.885 (22.48)
	.849 (21.56)	
14	.978 (24.84)	1.010 (25.65)
	.974 (24.74)	

Demating Force

Series 804 Demating Force		
Layout	Average Force	
	Pounds	Newtons
5-3	11	48
6-4	11	48
6-7	12	51
7-10	12	54
8-13	13	56
9-19	14	62
10-26	16	68
12-37	18	78
14-55	21	94

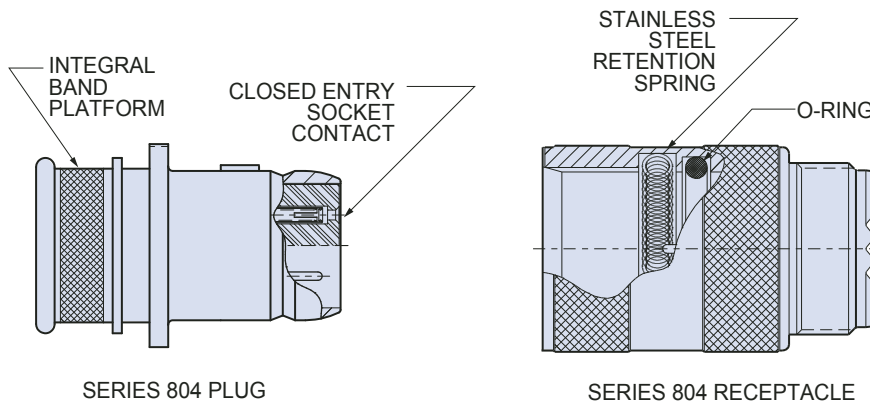
Polarization

Key and Keyway Positions		
	Plug	Receptacle
Pos.	A°	B°
A	150°	210°
B	75°	210°
C	95°	230°
D	140°	275°
E	75°	275°

Dimensions in Inches (millimeters) are subject to change without notice.

Series 804 Push-Pull Mighty Mouse Quick-Disconnect Connectors

General Information



- **Push-to-Mate, Pull-to-Unmate**
- **Gold-Plated tainless Steel Spring**
- **Crimp Rear Release Contacts**
- **Integral Band Platform**
- **Available with Size #12, #16, #20, #20HD and #23 Contacts**
- **Environmentally Sealed**

Series 804 Quick-Disconnect Offers Environmental Sealing and Rugged Design in a Lightweight, Push-Pull Package

Ideal for breakaway connections, the Series 804 QDC connector features a stainless steel spring in the receptacle and a detent on the plug body. Used for headsets, radios, weapons and other applications, the QDC Mighty Mouse meets immersion requirements and provides excellent durability. The gold-plated spring provides low shell-to-shell resistance for excellent EMI shielding. A fluorosilicone o-ring provides a watertight seal when mated.



Specifications

Current Rating	#23-5 A, 20HD-7.5 A, #16-13 A, #12-23 A
Dielectric Withstanding Voltage	#23-750 VAC, #20HD-1000 VAC, #12 and #16-1800 VAC
Insulation Resistance	5000 megohms minimum
Operating Temperature	-65° C. to +175° C.
Shock	300 g.
Vibration	37 g.
Shielding Effectiveness ⁽¹⁾	60 dB minimum from 100MHz to 1000MHz.
Durability	2000 mating cycles
1. Tested with electroless nickel plating See Series 80 General Information for complete performance specs.	

Materials and Finishes

Shells, Jam-Nuts	Aluminum alloy or stainless steel
Contacts	Copper alloy, 50 µlnch gold plated
Insulators	High grade rigid dielectric
Contact Retention Clip	Beryllium copper alloy
Seal, O-rings, Grommet	Fluorosilicone rubber
Spring	Gold plated stainless steel
See Series 80 General Information for complete material and finish specs.	

Dimensions in Inches (millimeters) are subject to change without notice.

Series 804 Push-Pull Mighty Mouse Connector Quick-Disconnect Connectors Connector Maximum Weights



Series 804

Series 804 Weights				
Maximum Weight In Grams				
Layout	Plug	Jam-Nut Receptacle		In-Line Recep.
		Rear Mount	Front Mount	
5-3P	2.2	8	9.7	4
5-3S	2.4	8.3	9.8	4.1
6-1P	3.1	7.2	11.8	5.2
6-1S	3.4	7.5	12.1	5.5
6-4P	2.8	8.8	11.4	4.8
6-4S	3	9	11.6	5.1
6-6P	2.8	8.8	11.4	4.8
6-6S	3.1	9.2	11.8	5.2
6-7P	3	9.1	11.7	5.3
6-7S	3.2	9.5	12	5.5
6-23P	2.9	8.9	11.5	4.9
6-23S	3.6	9.3	11.9	5.3
7-1P	3.7	11.1	16.4	10.1
7-1S	4.3	11.7	16.9	10.7
7-25P	3.5	11	16.3	10
7-25S	4.2	11.7	16.9	10.7
7-10P	3.7	10.9	16.2	10
7-10S	4.2	11.3	16.5	10.3
8-1P	7.7	13.6	12.8	10.8
8-1S	10.1	10.1	11	13.5
8-2P	5	10.9	13.5	8
8-2S	5.7	5.7	11.7	9
8-28P	5.2	11.1	14.4	8.2
8-28S	6.2	6.2	12.9	9.5
8-13P	4.3	10.6	12.4	7.4
8-13S	4.8	11	13	8.1
8-200P	5.3	11.2	13.9	8.4
8-200S	6.1	12	14.6	9.1
9-4P	5.7	15.2	21.1	11
9-4S	6.7	16.2	22.1	12
9-210P	5.9	15	20.9	10.3
9-210S	6.7	16.2	22.1	12
9-19P	4.6	14.1	20	9.9
9-19S	4.8	14.9	21.1	9.8
9-200P	5.2	14.6	20.6	10.5
9-200S	6.3	15.7	21.7	11.6
9-201P	5.8	15.3	21.2	11.1
9-201S	6.9	16.4	22.3	12.2
10-2P	7	15.2	23	11.6
10-2S	8.3	16.5	24.4	12.9
10-5P	7.3	15.5	23.3	11.9
10-5S	8.7	16.9	24.8	13.3
10-26P	5.4	13.6	20.5	10.1
10-26S	6.2	13.9	21.1	10.5
10-200P	6.2	14.4	22.2	10.8
10-200S	7.6	15.8	23.7	12.2
10-201P	6.3	14.5	22.3	10.9

Series 804 Weights				
Maximum Weight In Grams				
Layout	Plug	Jam-Nut Receptacle		In-Line Recep.
		Rear Mount	Front Mount	
10-201S	7.7	16	23.8	12.3
10-202P	6.3	14.5	22.3	10.9
10-202S	7.8	16.1	23.9	12.4
11-31P	10.1	16.6	26.1	13.4
11-31S	12.4	18.5	28.3	14.9
12-2P	10.7	21.5	26.1	20.8
12-2S	12.3	23.1	27.7	22.4
12-3P	11.7	22.4	27.1	21.8
12-3S	13.4	24.2	28.8	23.4
12-7P	11.9	22.7	27.3	22
12-7S	14.5	25.3	29.9	24.6
12-200P	10.3	21.1	25.7	20.5
12-200S	12.5	23.3	27.9	22.7
12-201P	10.7	21.5	26.1	22.8
12-201S	13	23.8	28.4	23.1
12-202P	10.8	21.6	26.2	20.9
12-202S	12.7	23.5	28.1	22.8
12-203P	11.6	21.9	26.5	21.2
12-203S	13	23.8	28.4	23.1
12-204P	11.2	22	26.6	21.3
12-204S	13	23.8	28.4	23.1
12-205P	12.3	23.1	27.7	22.4
12-205S	14.1	24.9	29.5	24.2
12-220	11.5	22.3	26.9	21.6
12-220	13.8	24.6	29.2	23.9
12-37P	10.1	21.5	25.5	22.4
12-37S	11.8	23.1	27.2	22.1
14-2P	18.7	31.6	36.9	29.6
14-2S	24.8	37.6	42.9	35.7
14-5P	15.4	28.3	33.6	26.3
14-5S	18.4	31.2	36.5	29.3
14-12P	16.2	29	34.3	27.1
14-12S	19.8	32.7	38	30.7
14-204P	14.1	27	32.3	25
14-204S	17.6	30.4	35.7	28.5
14-205P	14.4	27.3	32.6	25.3
14-205S	17.9	30.7	36	28.8
14-206P	14.6	27.5	32.8	25.5
14-206S	18	30.8	36.1	28.9
14-207P	15.4	28.3	33.6	26.3
14-207S	18.8	31.6	36.9	29.7
14-208P	16.6	29.5	34.8	27.5
14-208S	21.6	34.4	39.7	32.5
14-235P	15.7	28.6	33.9	26.6
14-235S	19.8	32.6	37.9	30.7
14-55P	12.8	25.6	30.9	23.7
14-55S	15.6	28.3	33.8	26.5

Dimensions in Inches (millimeters) are subject to change without notice.





Series 804 Push-Pull Mighty Mouse Plug Connector

804-001 & 804-002 Ordering Information



Quick Disconnect

These plugs snap securely into the receptacle housings and release with a simple pull.

Two Keying Styles

A single master key provides fast mating in low-light situations, or specify three keys for more polarizing options.

Two Shell Styles

Integral platform for shield attachment using the Band-Master™ ATS termination system, or an accessory thread for attaching a strain relief.

How To Order

Sample Part Number	804-001	-06	NF	9-19	S	A
Series (See Table I)	804-001 = Plug with Banding Platform 804-002 = Plug with Accessory Thread					
Shell Style	-06 = Plug					
Shell Material and Finish	C = Aluminum / Black Anodize (Non-Conductive); RoHS Compliant M = Aluminum / Electroless Nickel; RoHS Compliant MT = Aluminum / Nickel-PTFE RoHS Compliant NF = Aluminum / Cadmium with Olive Drab Chromate ZNU = Aluminum / Zinc-Nickel with Black Chromate Z1 = Stainless Steel / Passivated; RoHS Compliant					
Shell Size - Insert Arrangement	See Contact Arrangements Page G-2					
Contact Type	Connector supplied without Crimp contacts A = Pin, less contacts B = Socket, less contacts	Connector supplied with contacts P = Pin Connector S = Socket Connector	Connector Supplied with 30 AWG Crimp Barrel G = Pin, Crimp H = Socket, Crimp			
Polarization (See Table II)	Omit = Single Master Key A = Normal B = Pos. B C = Pos. C D = Pos. D E = Pos. E F = Pos. F					

Table I: Series

804-001 Plug with Banding Platform	804-002 Plug with Accessory Thread

Table II: Key Positions

	Pos.	A°	B°
	A	150°	210°
	B	75°	210°
	C	95°	230°
	D	140°	275°
	E	75°	275°
	F	95°	210°

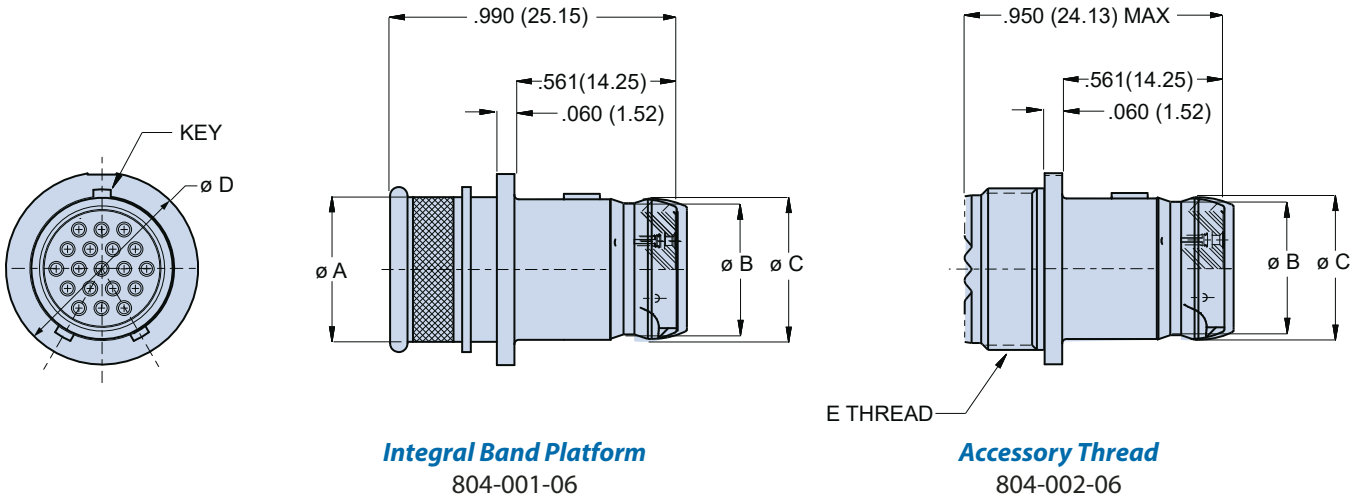
Dimensions in Inches (millimeters) are subject to change without notice.

**Series 804 Push-Pull Mighty Mouse
Plug Connector**
804-001-06 and 804-002-06 Dimensions



Series 804

Plug connector



Dimensions					
Shell Size	Ø A	Ø B	Ø C	Ø D Max.	EThreads
5	.246 (6.25)	.219 (5.56)	.250 (6.35)	.427 (10.85)	.2500-32 UNEF-2A
6	.286 (7.26)	.282 (7.16)	.313 (7.95)	.495 (12.57)	.3125-32 UNEF-2A
7	.390 (9.91)	.351 (8.92)	.383 (9.73)	.575 (14.60)	.4375-28 UNEF-2A
8	.442 (11.23)	.398 (10.11)	.429 (10.90)	.614 (15.60)	.5000-28 UNEF-2A
9	.500 (12.70)	.454 (11.53)	.486 (12.34)	.670 (17.02)	.5625-24 UNEF-2A
10	.564 (14.33)	.529 (13.44)	.563 (14.30)	.745 (18.92)	.6250-24 UNEF-2A
11	.608 (15.44)	.587 (14.91)	.618 (15.70)	.795 (20.19)	.6875-24 UNEF-2A
12	.650 (16.51)	.646 (16.41)	.676 (17.17)	.865 (21.97)	.6875-24 UNEF-2A
14	.805 (20.45)	.768 (19.51)	.800 (20.32)	.985 (25.02)	.9375-20 UNEF-2A

NOTES

1. Contacts are size 23 crimp type, and used in a rear release retention system.
2. For additional insert arrangements consult factory
3. Crimp barrel accommodates 22, 24, 26 and 28 gage wire
4. Crimp Tool Data:
 - Crimp Frame: 809-015
 - Positioner for use with crimp frame: "Glenair part no. 809-005
 - Insertion / extraction tool: Glenair part no. 809-088
5. Connector, plug mates with all push/pull high density receptacle connectors with same polarization and opposite contact gender
6. Rear insulator grommet not supplied

Material and Finish

- Shell: aluminum alloy or CRES / see how to order table
- Insulator: LCP / N.A.
- Interfacial seal, gasket: fluorosilicone / N.A.
- Contact: copper alloy / gold plate per ASTM B 488, Type II, Code C, Class 1.25, over suitable underplate

Dimensions in Inches (millimeters) are subject to change without notice.

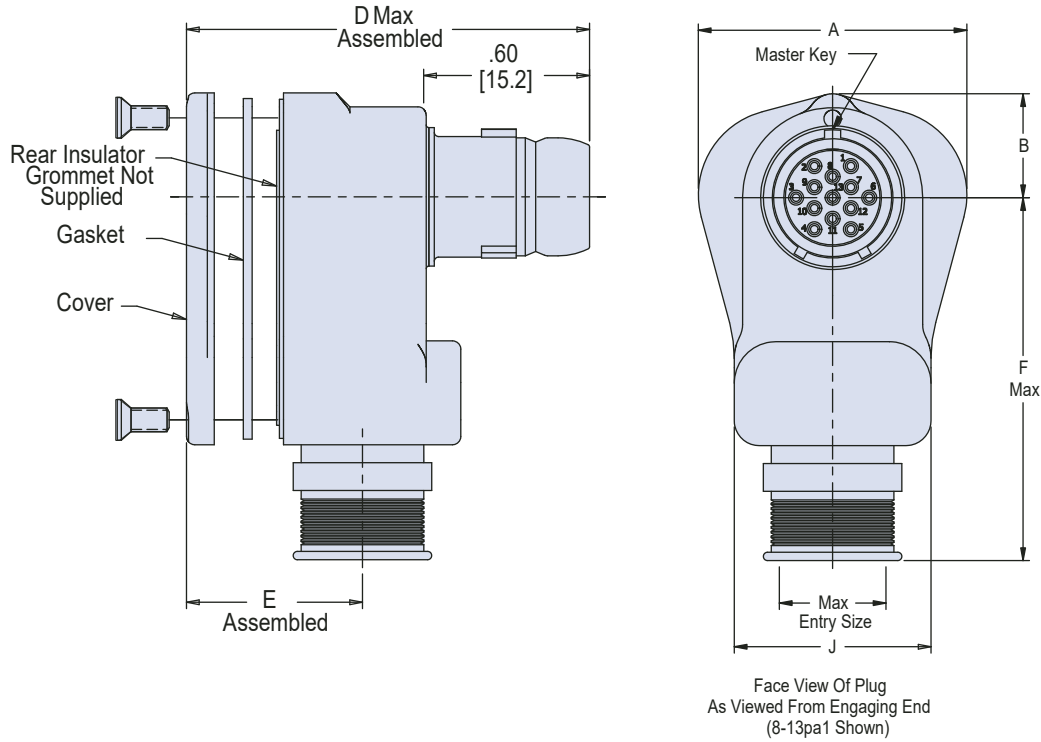


**Series 804 Push-Pull Mighty Mouse Cobra
Plug with Integral Cobra Backshell
804-066-06 Dimensions**



Series 804

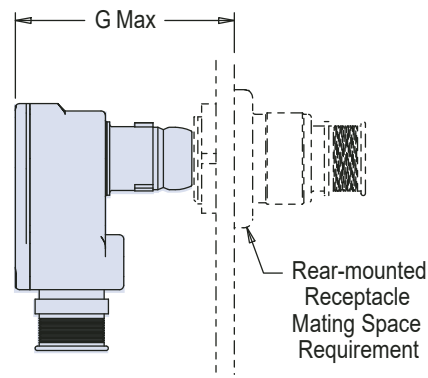
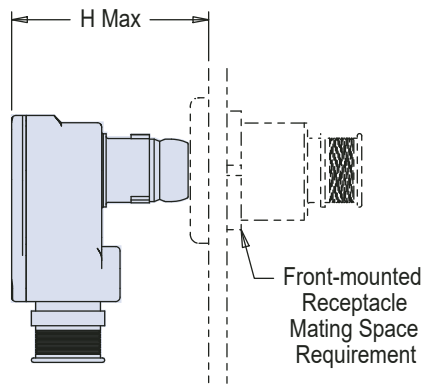
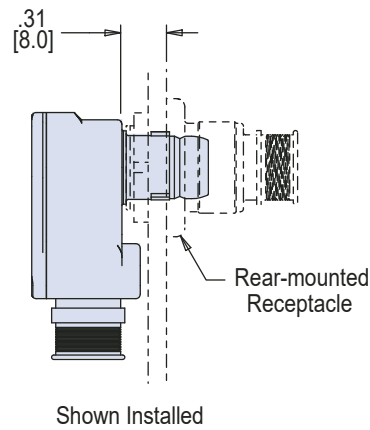
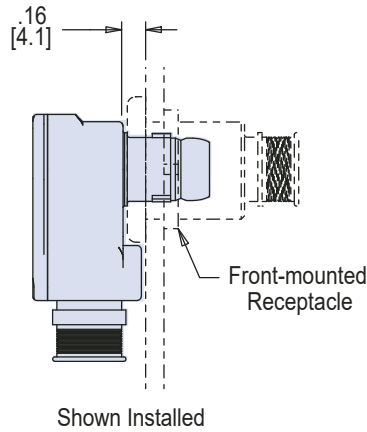
Right angle low profile cable plug



Dimensions									
Shell Size	Ø A	B	D Max	E Max	F	G Max	H Max	J	Max Entry Size
5	.67 (17.02)	.27 (6.86)	1.03 (26.16)	.32 (8.13)	1.21 (30.73)	1.34 (34.04)	1.16 (29.46)	.500 (12.70)	03
6	.75 (19.05)	.30 (7.62)	1.08 (27.43)	.34 (8.64)	1.24 (31.50)	1.39 (35.31)	1.21 (30.73)	.560 (14.22)	04
7	.88 (22.35)	.34 (8.64)	1.20 (30.48)	.39 (9.91)	1.28 (32.51)	1.50 (38.10)	1.32 (33.53)	.650 (16.51)	05
8	.97 (24.64)	.38 (9.65)	1.24 (31.50)	.42 (10.67)	1.31 (33.27)	1.54 (39.12)	1.36 (34.54)	.710 (18.03)	06
9	1.06 (26.92)	.41 (10.41)	1.30 (33.02)	.45 (11.43)	1.34 (34.04)	1.61 (40.89)	1.43 (36.32)	.770 (19.56)	07
10	1.15 (29.21)	.44 (11.18)	1.35 (34.29)	.48 (12.19)	1.37 (34.80)	1.66 (42.16)	1.47 (37.34)	.835 (21.21)	08
12	1.33 (33.78)	.50 (12.70)	1.44 (36.58)	.52 (13.21)	1.48 (37.59)	1.75 (44.45)	1.56 (39.62)	.950 (24.13)	10
14	1.46 (37.08)	.56 (14.22)	1.53 (38.86)	.58 (14.73)	1.64 (41.66)	1.84 (46.74)	1.69 (42.93)	1.070 (27.18)	12

Dimensions in Inches (millimeters) are subject to change without notice.

Mating Space Requirements



NOTES

1. Contacts are size 23
2. For additional insert arrangements consult factory
3. Crimp barrel accommodates 22, 24, 26 and 28 gage wire
4. Crimp Tool Data:
 - Crimp Frame: 809-015
 - Positioner for use with crimp frame: "Glenair part no. 809-005
 - Insertion / extraction tool: Glenair part no. 809-088
5. Connector, plug mates with all push/pull high density receptacle connectors with same polarization and opposite contact gender
6. Rear insulator grommet not supplied

Material and Finish

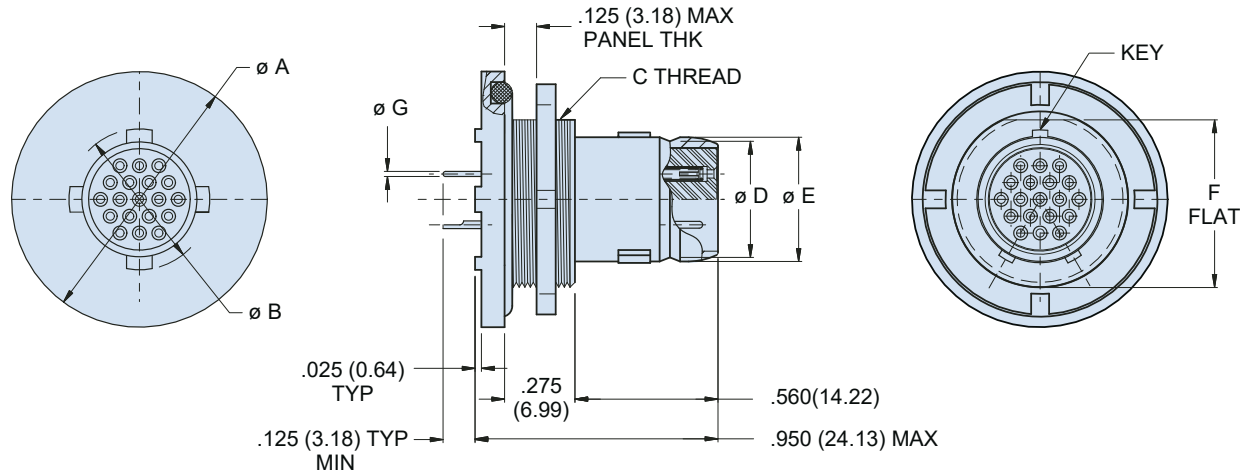
- Shell barrel, housing, cover: aluminum alloy or SST / see how to order table
- Insulator: LCP / N.A.
- Interfacial seal, gasket: fluorosilicone / N.A.
- Contact: copper alloy / gold plate per ASTM B 488, Type II, Code C, Class 1.25, over suitable underplate
- Contact retention clip: beryllium copper alloy / N.A.
- Hardware: stainless steel / passivate or black oxide

Dimensions in Inches (millimeters) are subject to change without notice.

Series 804 Push-Pull Mighty Mouse PC Tail or Solder Cup Panel Mount Plug

804-009-07, 804-021-07 Dimensions

Jam-nut, rear panel mount plug - shell style 07



Dimensions							
Shell Size	$\varnothing A$	$\varnothing B$	C Threads	$\varnothing D$	$\varnothing E$	F Flat	$\varnothing G$ Tail Dia.
5	.790 (20.07)	.244 (6.20)	.4375-32 UN-2A	.219 (5.56)	.250 (6.35)	.415 (10.54)	#23 .018/.022 (0.46/0.56)
6	.830 (21.08)	.330 (8.38)	.5000-32 UN-2A	.282 (7.16)	.313 (7.95)	.467 (11.86)	
7	.910 (23.11)	.432 (10.97)	.6250-28 UN-2A	.351 (8.92)	.383 (9.73)	.594 (15.09)	
8	.955 (24.26)	.493 (12.52)	.6250-28 UN-2A	.398 (10.11)	.429 (10.90)	.594 (15.09)	#20 .024/.028 (0.61/0.71)
9	1.000 (25.40)	.551 (14.00)	.6875-28 UN-2A	.454 (11.53)	.486 (12.34)	.655 (16.64)	#16 .060/.064 (1.52/1.63)
10	1.085 (27.56)	.620 (15.75)	.7500-28 UN-2A	.529 (13.44)	.563 (14.30)	.721 (18.31)	
11	1.135 (28.83)	.662 (16.81)	.8125-28 UN-2A	.587 (14.91)	.618 (15.70)	.790 (20.07)	#12 .092/.096 (2.34/2.44)
12	1.180 (29.97)	.703 (17.86)	.8750-28 UN-2A	.646 (16.41)	.676 (17.17)	.843 (21.41)	
14	1.325 (33.65)	.863 (21.92)	1.0000-28 UN-2A	.768 (19.51)	.800 (20.32)	.968 (24.59)	

Jam-Nut Rear Panel Mount Cutout Dimensions		
Shell Size	A Flat	$\varnothing B$
5	.425 (10.80)	.448 (11.38)
	.421 (10.69)	.443 (11.25)
6	.477 (12.12)	.510 (12.95)
	.473 (12.01)	.505 (12.83)
7	.590 (14.99)	.635 (16.13)
	.586 (14.88)	.630 (16.00)
8	.604 (15.34)	.635 (16.13)
	.600 (15.24)	.630 (16.00)
9	.665 (16.89)	.698 (17.73)
	.661 (16.79)	.693 (17.60)
10	.731 (18.57)	.760 (19.30)
	.727 (18.47)	.755 (19.18)
11	.800 (20.32)	.823 (20.90)
	.796 (20.22)	.880 (22.35)
12	.853 (21.67)	.885 (22.48)
	.849 (21.56)	.880 (22.35)
14	.978 (24.84)	1.010 (25.65)
	.974 (24.74)	1.005 (25.53)

Material and Finish

- Shell, jam-nut: aluminum alloy or CRES / see how to order table
- Insulator: high grade rigid dielectric / N.A.
- Interfacial seal, O-ring: fluorosilicone / N.A.
- Contact: copper alloy / gold plate per ASTM B 488, Type II, Code C, Class 1.25, over suitable underplate
- Potting compound: epoxy / N.A.

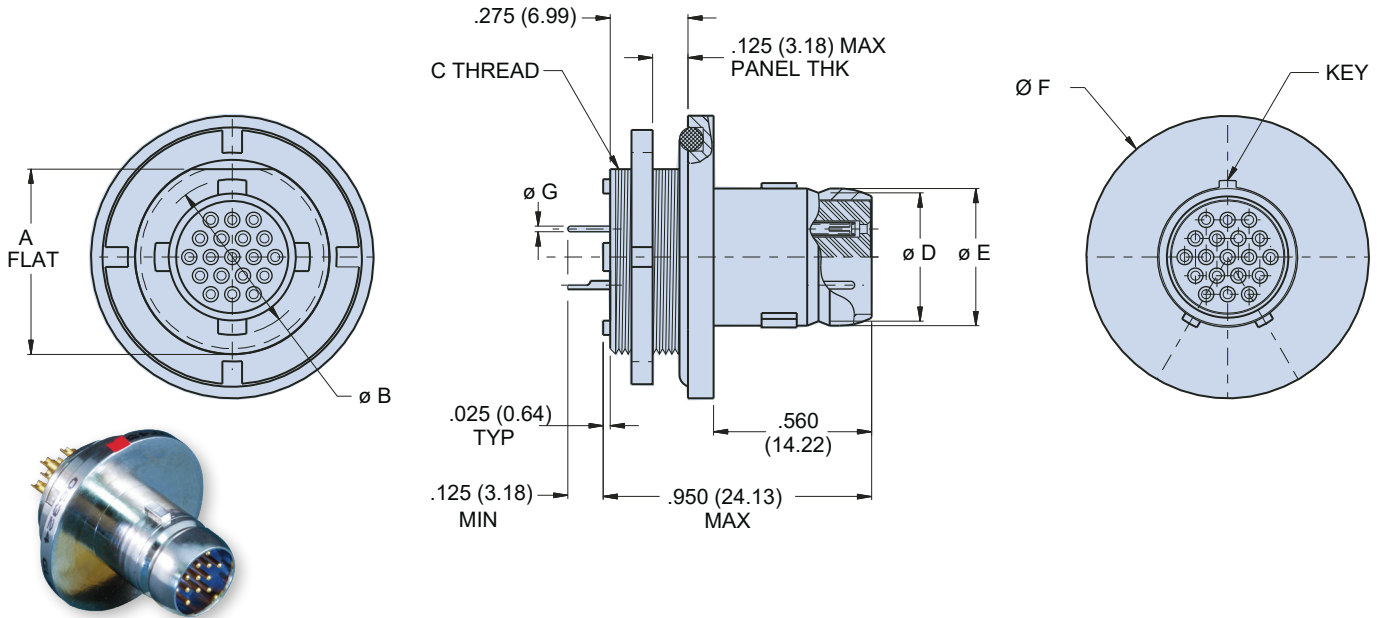
Dimensions in Inches (millimeters) are subject to change without notice.

**Series 804 Push-Pull Mighty Mouse
PC Tail or Solder Cup Panel Mount Plug
804-009-00, 804-021-00 Dimensions**



Series 804

Jam-nut, front panel mount plug - style 00



Dimensions							
Shell Size	A Flat	Ø B	C Threads	Ø D	Ø E	Ø F	Ø G Tail Dia.
5	.415 (10.54)	.244 (6.20)	.4375-32 UN-2A	.219 (5.56)	.250 (6.35)	.790 (20.07)	#23 .018/.022 (0.46/0.56)
6	.467 (11.86)	.330 (8.38)	.5000-32 UN-2A	.282 (7.16)	.313 (7.95)	.830 (21.08)	
7	.594 (15.09)	.432 (10.97)	.6250-28 UN-2A	.351 (8.92)	.383 (9.73)	.910 (23.11)	
8	.594 (15.09)	.493 (12.52)	.6250-28 UN-2A	.398 (10.11)	.429 (10.90)	.955 (24.26)	#20 .024/.028 (0.61/0.71)
9	.655 (16.64)	.551 (14.00)	.6875-28 UN-2A	.454 (11.53)	.486 (12.34)	1.000 (25.40)	#16 .060/.064 (1.52/1.63)
10	.721 (18.31)	.620 (15.75)	.7500-28 UN-2A	.529 (13.44)	.563 (14.30)	1.085 (27.56)	
11	.790 (20.07)	.662 (16.81)	.8125-28 UN-2A	.587 (14.91)	.618 (15.70)	1.135 (28.83)	
12	.843 (21.41)	.703 (17.86)	.8750-28 UN-2A	.646 (16.41)	.676 (17.17)	1.180 (29.97)	#12 .092/.096 (2.34/2.44)
14	.968 (24.59)	.863 (21.92)	1.0000-28 UN-2A	.768 (19.51)	.800 (20.32)	1.325 (33.65)	

Jam-Nut Front Panel Mount Cutout Dimensions		
Shell Size	N Flat	Ø M
5	.482 (12.24) .478 (12.14)	.510 (12.95)
6	.542 (13.77) .538 (13.67)	.575 (14.60)
7	.676 (17.17) .671 (17.04)	.698 (17.73)
8	.676 (17.17) .671 (17.04)	.698 (17.73)
9	.732 (18.59) .728 (18.49)	.760 (19.30)
10	.801 (20.35) .796 (20.22)	.822 (20.88)
12	.982 (24.94) .978 (24.84)	1.010 (25.65)
14	1.032 (26.21) 1.028 (26.11)	1.075 (27.30)

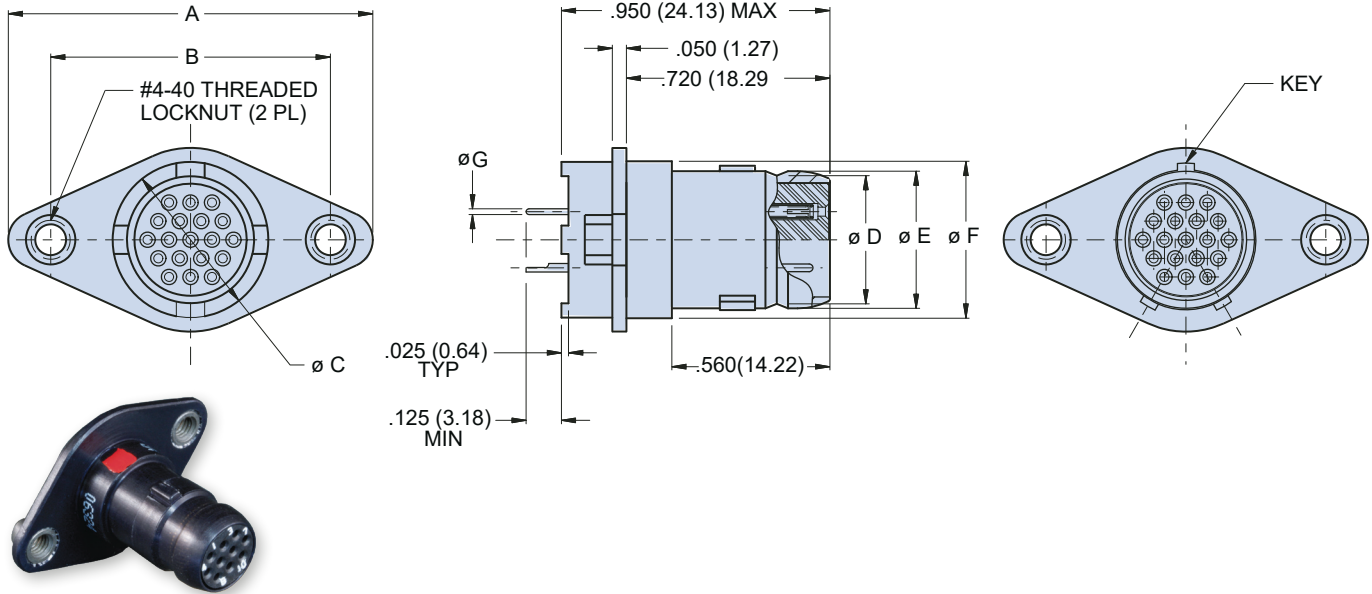
Material and Finish

- Shell: aluminum alloy or CRES / see how to order table
- Insulator: high grade rigid dielectric / N.A.
- Interfacial seal, O-ring: fluorosilicone / N.A.
- Contact: copper alloy / gold plate per ASTM B 488, Type II, Code C, Class 1.25, over suitable underplate
- Potting compound: epoxy / N.A.

Dimensions in Inches (millimeters) are subject to change without notice.



Flange mount receptacle - style 02



Dimensions

Shell Size	A	B ±.005 (.02)	Ø C	Ø D	Ø E	Ø F	Ø G Tail Dia.
5	1.055 (26.80)	.755 (19.18)	.244 (6.20)	.219 (5.56)	.250 (6.35)	.320 (8.13)	#23 .018/.022 (0.46/0.56)
6	1.120 (28.45)	.820 (20.83)	.330 (8.38)	.282 (7.16)	.313 (7.95)	.385 (9.78)	
7	1.185 (30.10)	.885 (22.48)	.432 (10.97)	.351 (8.92)	.383 (9.73)	.450 (11.43)	
8	1.230 (31.24)	.930 (23.62)	.493 (12.52)	.398 (10.11)	.429 (10.90)	.495 (12.57)	#20 .024/.028 (0.61/0.71)
9	1.290 (32.77)	.990 (25.15)	.551 (14.00)	.454 (11.53)	.486 (12.34)	.555 (14.10)	#16 .060/.064 (1.52/1.63)
10	1.360 (34.54)	1.060 (26.92)	.620 (15.75)	.529 (13.44)	.563 (14.30)	.625 (15.88)	
11	1.420 (36.07)	1.120 (28.45)	.662 (16.81)	.587 (14.91)	.618 (15.70)	.690 (17.53)	-#12 .092/.096 (2.34/2.44)
12	1.485 (37.72)	1.185 (30.10)	.703 (17.86)	.646 (16.41)	.676 (17.17)	.750 (19.05)	
14	1.600 (40.64)	1.300 (33.02)	.863 (21.92)	.768 (19.51)	.800 (20.32)	.865 (21.97)	

Material and Finish

- Shell: aluminum alloy or CRES / see how to order table
- Insulator: high grade rigid dielectric / N.A.
- Interfacial seal, O-ring: fluorosilicone / N.A.
- Contact: copper alloy / gold plate per ASTM B 488, Type II, Code C, Class 1.25, over suitable underplate
- Potting compound: epoxy / N.A.

Dimensions in Inches (millimeters) are subject to change without notice.

Series 804 Push-Pull Mighty Mouse Crimp Contact, Panel Mount Plug 804-116 Ordering Information



Series 804



Panel Mount Plugs with push/pull action for quick mating and demating of connectors used for interfacing with peripheral equipment, such as laptops or GPS systems. These small form factor connectors save panel space and come with removable, rear release crimp contacts. Each contact is securely held in place by metal clips locking the contact in place. Crimp contacts can be replaced and serviced. Integral banding porch allows for termination of shielding braid material using Band-Master® ATS bands. Mates with all push/pull high density receptacle connectors with same polarization and opposite contact gender (804-003, 804-004, 804-005 and 804-006). Red stripe indicator aids in alignment during mating.

How To Order						
Sample Part Number	804-116	-07	NF	10-26	E	A
Series	804-116 = Panel Mount Plug, Crimp Contacts and Banding Porch					
Shell Style (See Table I)	00 = Jam-Nut, Front Panel Mount 02 = Flange Mount 07 = Jam-Nut, Rear Panel Mount					
Shell Material and Finish	C = Aluminum / Black Anodize (Non-Conductive); RoHS Compliant M = Aluminum / Electroless Nickel; RoHS Compliant MT = Aluminum / Nickel-PTFE RoHS Compliant NF = Aluminum / Cadmium with Olive Drab Chromate ZNU = Aluminum / Zinc-Nickel with Black Chromate Z1 = Stainless Steel / Passivated; RoHS Compliant					
Shell Size - Insert Arrangement	See Contact Arrangements Page G-2					
Contact Type	A = Pin Connector, Less Contacts		P = Pin		G = #23 Pin with 30 AWG Crimp Barrel	
	B = Socket Connectors, Less Contacts		S = Socket		H = #23 Socket with 30 AWG Crimp Barrel	
Polarization (See Table II)	Omit Characoer = Single Key (non polarized) A = Normal B = Pos. B C = Pos. C D = Pos. D E = Pos. E F = Pos. F					

Table I: Shell Style		
-07 Jam-Nut, Rear Panel Mount	-02 Flange Mount	-00 Jam-Nut, Front Panel Mount

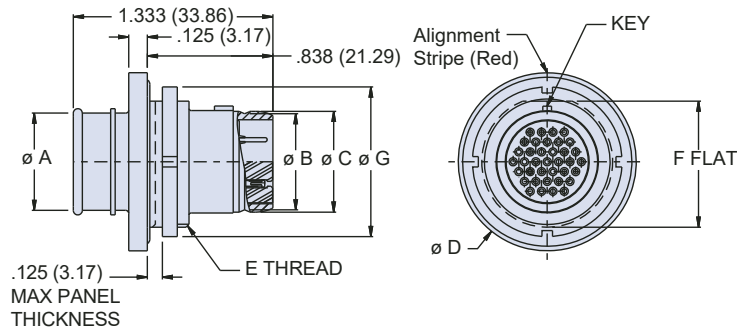
Table II: Key Positions			
	Pos.	A°	B°
	A	150°	210°
	B	75°	210°
	C	95°	230°
	D	140°	275°
	E	75°	275°
	F	95°	210°

NOTES

1. Contacts are crimp type, and used in a rear release retention system
2. Plug mates with all push/pull high density receptacle connectors with same polarization and opposite contact gender

Dimensions in Inches (millimeters) are subject to change without notice.

Jam-nut, rear panel mount plug - style 07



Dimensions							
Shell Size	Ø A	Ø B	Ø C	Ø D	E Thread	F Flat	Ø G
5	0.245 (6.22)	0.219 (5.56)	0.250 (6.35)	0.730 (18.54)	.4375-32 UN-2A	0.415 [0.02]	0.562 [0.02]
6	0.290 (7.37)	0.282 (7.16)	0.313 (7.95)	0.730 (18.54)	.5000-32 UN-2A	0.467 [0.02]	0.625 [0.02]
7	0.390 (9.91)	0.351 (8.92)	0.382 (9.70)	0.910 (23.11)	.6250-28 UN-2A	0.594 [0.02]	0.750 [0.03]
8	0.445 (11.30)	0.398 (10.11)	0.429 (10.90)	0.955 (24.26)	.6250-28 UN-2A	0.594 [0.02]	0.750 [0.03]
9	0.500 (12.70)	0.454 (11.53)	0.486 (12.34)	1.000 (25.40)	.6875-28 UN-2A	0.655 [0.03]	0.812 [0.03]
10	0.560 (14.22)	0.529 (13.44)	0.562 (14.27)	1.085 [0.04]	.7500-28 UN-2A	0.721 [0.03]	0.875 [0.03]
12	0.650 (16.51)	0.646 (16.41)	0.677 (17.20)	1.180 [0.05]	.8750-28 UN-2A	0.843 [0.03]	1.000 [0.04]
14	0.805 (20.45)	0.768 (19.51)	0.800 (20.32)	1.325 [0.05]	1.0000-28 UN-2A	0.968 [0.04]	1.125 [0.04]

Jam-Nut Rear Panel Mount Cutout Dimensions		
Shell Size	A Flat	Ø B
5	.425 (10.80)	.448 (11.38)
	.421 (10.69)	.443 (11.25)
6	.477 (12.12)	.510 (12.95)
	.473 (12.01)	.505 (12.83)
7	.590 (14.99)	.635 (16.13)
	.586 (14.88)	.630 (16.00)
8	.604 (15.34)	.635 (16.13)
	.600 (15.24)	.630 (16.00)
9	.665 (16.89)	.698 (17.73)
	.661 (16.79)	.693 (17.60)
10	.731 (18.57)	.760 (19.30)
	.727 (18.47)	.755 (19.18)
11	.800 (20.32)	.823 (20.90)
	.796 (20.22)	.880 (22.35)
12	.853 (21.67)	.885 (22.48)
	.849 (21.56)	.880 (22.35)
14	.978 (24.84)	1.010 (25.65)
	.974 (24.74)	1.005 (25.53)

Material and Finish

- Shell, jam-nut: aluminum alloy or CRES / see how to order table
- Insulator: high grade rigid dielectric / N.A.
- Interfacial seal, O-ring, grommet: fluorosilicone / N.A.
- Contact: copper alloy / gold plate per ASTM B 488, Type II, Code C, Class 1.25, over suitable underplate
- Potting compound: epoxy / N.A.

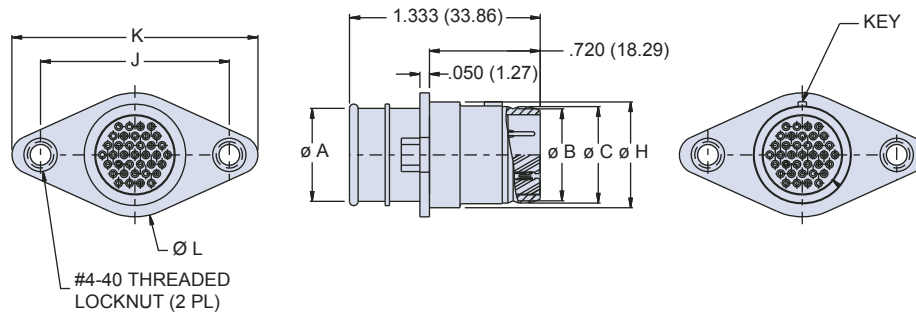
Dimensions in Inches (millimeters) are subject to change without notice.

**Series 804 Push-Pull Mighty Mouse
Crimp Contact, Panel Mount Plug
804-116-02 Dimensions**



Series 804

Flange mount plug - style 02



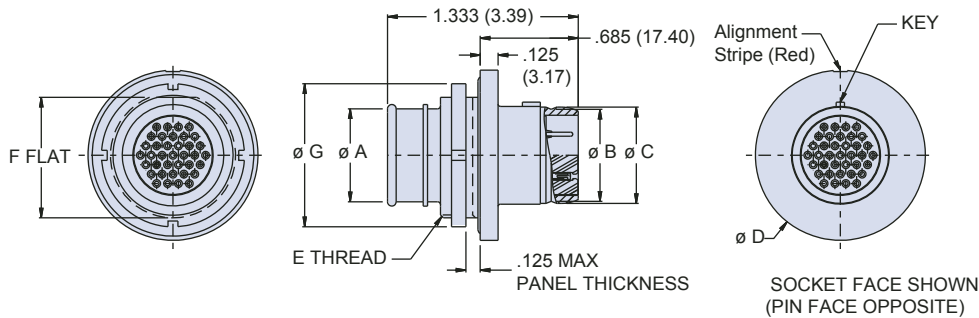
Dimensions							
Shell Size	Ø A	ØB	Ø C	H	J	K	Ø L
5	0.245 (6.22)	0.219 (5.56)	0.250 (6.35)	0.320 (0.01)	0.755 (0.03)	1.055 (0.04)	0.420 (0.02)
6	0.290 (7.37)	0.282 (7.16)	0.313 (7.95)	0.385 (0.02)	0.820 (0.03)	1.120 (0.04)	0.445 (0.02)
7	0.390 (9.91)	0.351 (8.92)	0.382 (9.70)	0.450 (0.02)	0.885 (0.03)	1.185 (0.05)	0.550 (0.02)
8	0.445 (11.30)	0.398 (10.11)	0.429 (10.90)	0.495 (0.02)	0.930 (0.04)	1.230 (0.05)	0.593 (0.02)
9	0.500 (12.70)	0.454 (11.53)	0.486 (12.34)	0.555 (0.02)	0.990 (0.04)	1.290 (0.05)	0.651 (0.03)
10	0.560 (14.22)	0.529 (13.44)	0.562 (14.27)	0.625 (0.02)	1.060 (0.04)	1.360 (0.05)	0.741 (0.03)
12	0.650 (16.51)	0.646 (16.41)	0.677 (17.20)	0.750 (0.03)	1.185 (0.05)	1.485 (0.06)	0.850 (0.03)
14	0.805 (20.45)	0.768 (19.51)	0.800 (20.32)	0.865 (0.03)	1.300 (0.05)	1.600 (0.06)	0.975 (0.04)

Material and Finish

- Shell: aluminum alloy or CRES / see how to order table
- Insulator: high grade rigid dielectric / N.A.
- Interfacial seal, O-ring, grommet: fluorosilicone / N.A.
- Contact: copper alloy / gold plate per ASTM B 488, Type II, Code C, Class 1.25, over suitable underplate
- Potting compound: epoxy / N.A.

Dimensions in Inches (millimeters) are subject to change without notice.

Jam-nut, front panel mount, plug - style 00



Dimensions								
Shell Size	Ø A	Ø B	Ø C	Ø D	E Thread	F Flat	Ø G	H
5	0.245 (6.22)	0.219 (5.56)	0.250 (6.35)	0.730 (18.54)	.4375-32 UN-2A	0.415 (0.02)	0.562 (0.02)	0.320 (0.01)
6	0.290 (7.37)	0.282 (7.16)	0.313 (7.95)	0.730 (18.54)	.5000-32 UN-2A	0.467 (0.02)	0.625 (0.02)	0.385 (0.02)
7	0.390 (9.91)	0.351 (8.92)	0.382 (9.70)	0.910 (23.11)	.6250-28 UN-2A	0.594 (0.02)	0.750 (0.03)	0.450 (0.02)
8	0.445 (11.30)	0.398 (10.11)	0.429 (10.90)	0.955 (24.26)	.6250-28 UN-2A	0.594 (0.02)	0.750 (0.03)	0.495 (0.02)
9	0.500 (12.70)	0.454 (11.53)	0.486 (12.34)	1.000 (25.40)	.6875-28 UN-2A	0.655 (0.03)	0.812 (0.03)	0.555 (0.02)
10	0.560 (14.22)	0.529 (13.44)	0.562 (14.27)	1.085 [0.04]	.7500-28 UN-2A	0.721 (0.03)	0.875 (0.03)	0.625 (0.02)
12	0.650 (16.51)	0.646 (16.41)	0.677 (17.20)	1.180 [0.05]	.8750-28 UN-2A	0.843 (0.03)	1.000 (0.04)	0.750 (0.03)
14	0.805 (20.45)	0.768 (19.51)	0.800 (20.32)	1.325 [0.05]	1.0000-28 UN-2A	0.968 (0.04)	1.125 (0.04)	0.865 (0.03)

Jam-Nut Front Panel Mount Cutout Dimensions		
Shell Size	N Flat	Ø M
5	.482 (12.24)	.510 (12.95)
	.478 (12.14)	
6	.542 (13.77)	.575 (14.60)
	.538 (13.67)	
7	.676 (17.17)	.698 (17.73)
	.671 (17.04)	
8	.676 (17.17)	.698 (17.73)
	.671 (17.04)	
9	.732 (18.59)	.760 (19.30)
	.728 (18.49)	
10	.801 (20.35)	.822 (20.88)
	.796 (20.22)	
12	.982 (24.94)	1.010 (25.65)
	.978 (24.84)	
14	1.032 (26.21)	1.075 (27.30)
	1.028 (26.11)	

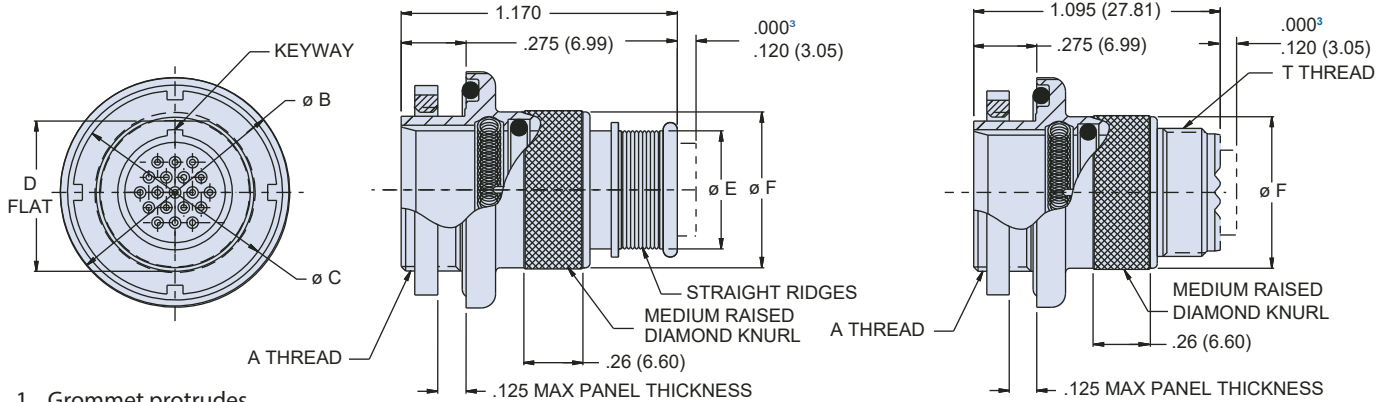
G

Material and Finish

- Shell: aluminum alloy or CRES / see how to order table
- Insulator: high grade rigid dielectric / N.A.
- Interfacial seal, O-ring, grommet: fluorosilicone / N.A.
- Contact: copper alloy / gold plate per ASTM B 488, Type II, Code C, Class 1.25, over suitable underplate
- Potting compound: epoxy / N.A.

Dimensions in Inches (millimeters) are subject to change without notice.

Jam-nut, rear panel mount receptacle - shell style 07



1. Grommet protrudes for power/combo arrangements

Integral Band Platform

804-003-07

Accessory Thread

804-004-07

Dimensions							
Shell Size	A Thread	ø B	ø C	D Flat	ø E	ø F	T Threads
5	.4375-32 UN-2A	.790 (20.07)	.562 (14.27)	.415 (10.54)	.246 (6.25)	.450 (11.43)	.2500-32 UNEF-2A
6	.5000-32 UN-2A	.830 (21.08)	.625 (15.88)	.467 (11.86)	.286 (7.26)	.480 (12.19)	.3125-32 UNEF-2A
7	.6250-28 UN-2A	.900 (22.86)	.750 (19.05)	.594 (15.09)	.390 (9.91)	.580 (14.73)	.4375-28 UNEF-2A
8	.6250-28 UN-2A	.900 (22.86)	.750 (19.05)	.594 (15.09)	.442 (11.23)	.603 (15.32)	.5000-28 UNEF-2A
9	.6875-28 UN-2A	1.000 (25.40)	.812 (20.62)	.655 (16.64)	.500 (12.70)	.695 (17.65)	.5625-24 UNEF-2A
10	.7500-28 UN-2A	1.085 (27.56)	.875 (22.23)	.721 (18.31)	.564 (14.33)	.735 (18.67)	.6250-24 UNEF-2A
11	.8125-28 UN-2A	1.135 (28.83)	.938 (23.83)	.788 (20.02)	.608 (15.44)	.810 (20.57)	.6875-24 UNEF-2A
12	.8750-28 UN-2A	1.180 (29.97)	1.000 (25.40)	.843 (21.41)	.650 (16.51)	.880 (22.35)	.6875-24 UNEF-2A
14	1.0000-28 UN-2A	1.325 (33.65)	1.125 (28.58)	.968 (24.59)	.805 (20.45)	1.010 (25.65)	.9375-20 UNEF-2A

Jam-Nut Rear Panel Mount Cutout Dimensions		
Shell Size	A Flat	ø B
5	.425 (10.80)	.448 (11.38)
	.421 (10.69)	.443 (11.25)
6	.477 (12.12)	.510 (12.95)
	.473 (12.01)	.505 (12.83)
7	.590 (14.99)	.635 (16.13)
	.586 (14.88)	.630 (16.00)
8	.604 (15.34)	.635 (16.13)
	.600 (15.24)	.630 (16.00)
9	.665 (16.89)	.698 (17.73)
	.661 (16.79)	.693 (17.60)
10	.731 (18.57)	.760 (19.30)
	.727 (18.47)	.755 (19.18)
11	.800 (20.32)	.823 (20.90)
	.796 (20.22)	.880 (22.35)
12	.853 (21.67)	.885 (22.48)
	.849 (21.56)	.880 (22.35)
14	.978 (24.84)	1.010 (25.65)
	.974 (24.74)	1.005 (25.53)

Material and Finish

- Shell, jam-nut: aluminum alloy or CRES / see how to order table
- Insulator: LCP
- Interfacial seal, O-ring, grommet: fluorosilicone / N.A.
- Contact: copper alloy / gold plate per ASTM B 488, Type II, Code C, Class 1.25, over suitable underplate
- Spring: CRES / gold plated

Dimensions in Inches (millimeters) are subject to change without notice.

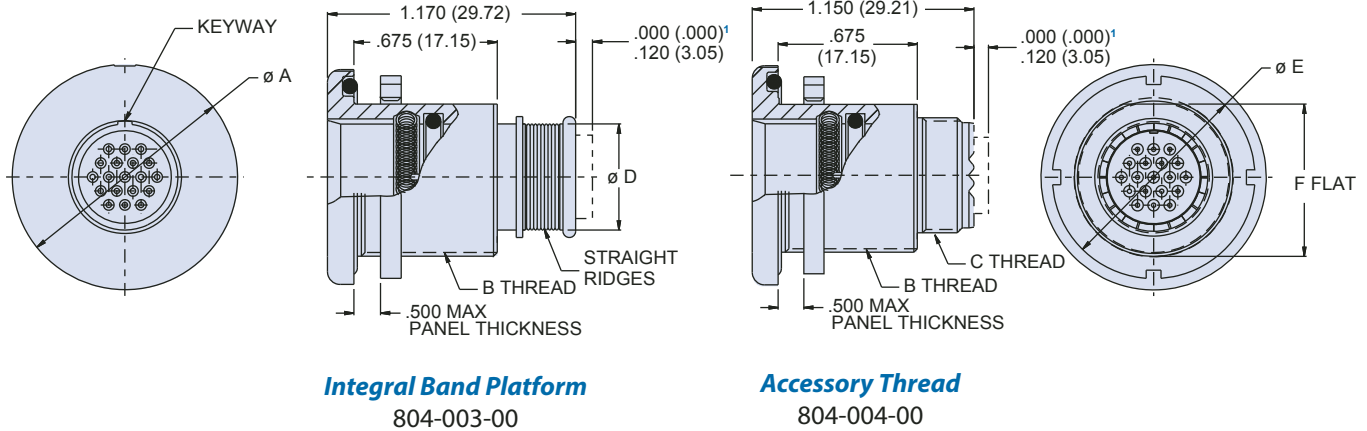
Series 804 Push-Pull Mighty Mouse Receptacle Connector

804-004-00 and 804-003-00 Dimensions



Series 804

Jam-nut, front panel mount receptacle - shell style 00



Integral Band Platform
804-003-00

Accessory Thread
804-004-00

Dimensions						
Shell Size	Ø A	B Threads	C Threads	Ø D	Ø E	F Flat
5	.830 (21.08)	.5000-32 UN-2A	.2500-32 UNEF-2A	.246 (6.25)	.625 (15.88)	.470 (11.94)
6	.885 (22.48)	.5625-32 UN-2A	.3125-32 UNEF-2A	.286 (7.26)	.688 (17.48)	.530 (13.46)
7	.995 (25.27)	.6875-28 UN-2A	.4375-28 UNEF-2A	.390 (9.91)	.812 (20.62)	.663 (16.84)
8	.995 (25.27)	.6875-28 UN-2A	.5000-28 UNEF-2A	.442 (11.23)	.812 (20.62)	.663 (16.84)
9	1.075 (27.30)	.7500-28 UN-2A	.5625-24 UNEF-2A	.500 (12.70)	.875 (22.23)	.720 (18.29)
10	1.140 (28.96)	.8125-28 UN-2A	.6250-24 UNEF-2A	.564 (14.33)	.938 (23.83)	.788 (20.02)
11	1.190 (30.23)	.8750-28 UN-2A	.6875-24 UNEF-2A	.608 (15.44)	1.000 (25.40)	.843 (21.41)
12	1.340 (34.04)	1.0000-28 UN-2A	.6875-24 UNEF-2A	.650 (16.51)	1.125 (28.58)	.970 (24.64)
14	1.390 (35.31)	1.0620-20 UN-2A	.9375-20 UNEF-2A	.805 (20.45)	1.162 (29.51)	1.020 (25.91)

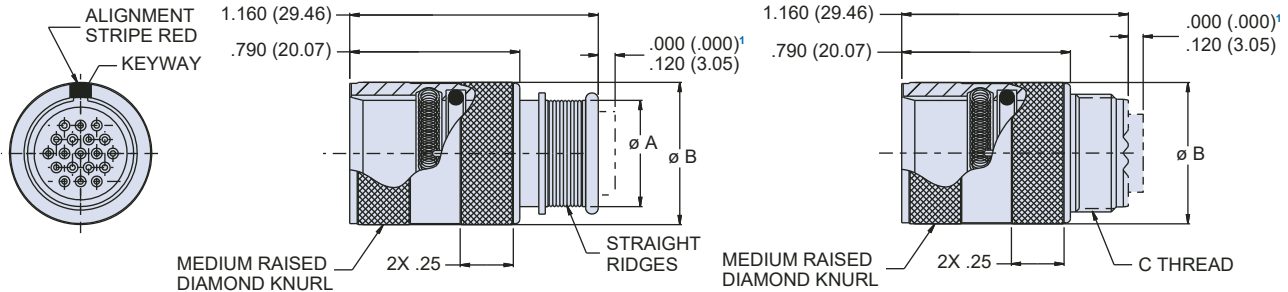
Jam-Nut Front Panel Mount Cutout Dimensions		
Shell Size	N Flat	Ø M
5	.482 (12.24) .478 (12.14)	.510 (12.95)
6	.542 (13.77) .538 (13.67)	.575 (14.60)
7	.676 (17.17) .671 (17.04)	.698 (17.73)
8	.676 (17.17) .671 (17.04)	.698 (17.73)
9	.732 (18.59) .728 (18.49)	.760 (19.30)
10	.801 (20.35) .796 (20.22)	.822 (20.88)
11	.855 (21.72) .851 (21.62)	.885 (22.48)
12	.982 (24.94) .978 (24.84)	1.010 (25.65)
14	1.032 (26.21) 1.028 (26.11)	1.075 (27.30)

Material and Finish

- Shell: aluminum alloy or CRES / see how to order table
- Insulator: LCP
- Interfacial seal, O-ring, grommet: fluorosilicone / N.A.
- Contact: copper alloy / gold plate per ASTM B 488, Type II, Code C, Class 1.25, over suitable underplate
- Spring: CRES / gold plated

Dimensions in Inches (millimeters) are subject to change without notice.

Cable receptacle - shell style 01



Integral Band Platform

804-003-01

Accessory Thread

804-004-01

Dimensions			
Shell Size	Ø A	Ø B	C Threads
5	.246 (6.25)	.450 (11.43)	.2500-32 UNEF-2A
6	.286 (7.26)	.480 (12.19)	.3125-32 UNEF-2A
7	.390 (9.91)	.580 (14.73)	.4375-28 UNEF-2A
8	.442 (11.23)	.603 (15.32)	.5000-28 UNEF-2A
9	.500 (12.70)	.695 (17.65)	.5625-24 UNEF-2A
10	.564 (14.33)	.735 (18.67)	.6250-24 UNEF-2A
11	.608 (15.44)	.810 (20.57)	.6875-24 UNEF-2A
12	.650 (16.51)	.880 (22.35)	.6875-24 UNEF-2A
14	.805 (20.45)	1.010 (25.65)	.9375-20 UNEF-2A

Material and Finish

- Shell: aluminum alloy or CRES / see how to order table
- Insulator: LCP
- Interfacial seal, O-ring, grommet: fluorosilicone / N.A.
- Contact: copper alloy / gold plate per ASTM B 488, Type II, Code C, Class 1.25, over suitable underplate
- Spring: CRES / gold plated

Dimensions in Inches (millimeters) are subject to change without notice.

Series 804 Push-Pull Mighty Mouse PC Tail or Solder Cup Receptacle

804-005, 804-020 Ordering Information



Series 804



Panel Mount Receptacles feature factory-installed non-removable contacts. Choose solder cup or PC Tail terminals. Available in front or rear panel mount versions. Specify **804-005** connectors for applications where open face water immersion is not a requirement. For MIL-STD-810 Method 512G immersion requirements, specify **804-020** watertight connectors. These 804-020 connectors are specially sealed ("MOD-518") and are 100% tested to maintain a helium leak rate of 1×10^{-4} cc/second at one atmosphere pressure differential

How To Order	
Sample Part Number	804-005 -07 NF 9-4 E A
Series	804-005 = Solder Cup or PCB Receptacle with Standard Potting 804-020 = Solder Cup or PCB Receptacle with Special "MOD-518" Sealing for Open Face (Unmated) Water Immersion Requirements. 100% Leak Tested.
Shell Style (See Table I)	-00 = Jam-Nut, Front Panel Mount -07 = Jam-Nut, Rear Panel Mount
Shell Material and Finish	C = Aluminum / Black Anodize (Non-Conductive); RoHS Compliant M = Aluminum / Electroless Nickel; RoHS Compliant MT = Aluminum / Nickel-PTFE RoHS Compliant NF = Aluminum / Cadmium with Olive Drab Chromate ZNU = Aluminum / Zinc-Nickel with Black Chromate Z1 = Stainless Steel / Passivated; RoHS Compliant
Shell Size - Insert Arrangement	See Contact Arrangements Page G-2
Contact Type	P = Pin, PC Tail E = Pin, Solder Cup S = Socket, PC Tail F = Socket, Solder Cup
Polarization (See Table II)	Omit = Single Master Key A = Normal B = Pos. B C = Pos. C D = Pos. D E = Pos. E F = Pos. F

Table I: Shell Style	
-00 Jam-Nut, Front Panel Mount	-07 Jam-Nut, Rear Panel Mount

Table II: Keyway Positions		
	Pos.	
	A	150° 210°
	B	75° 210°
	C	95° 230°
	D	140° 275°
	E	75° 275°
F	95° 210°	

- NOTES**
1. Contacts are nonremovable
 2. Receptacle connector mates with all push/pull high density plug connectors with same polarization and opposite contact gender

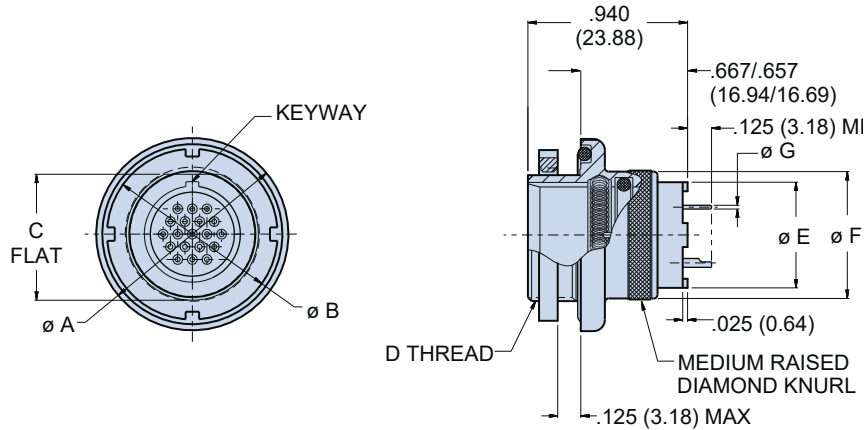


Dimensions in Inches (millimeters) are subject to change without notice.

© 2014 Glenair, Inc. Series 80 Mighty Mouse U.S. CAGE Code 06324 Printed in U.S.A.

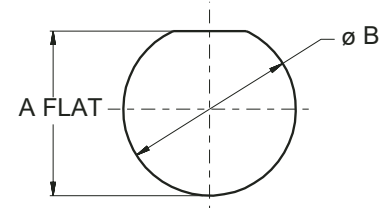
GLENAIR, INC. • 1211 AIR WAY • GLENDALE, CA 91201-2497 • 818-247-6000 • FAX 818-500-9912
www.glenair.com G-27 E-Mail: sales@glenair.com

Jam-nut, rear panel mount receptacle - style 07



Dimensions							
Shell Size	Ø A	Ø B	C Flat	D Threads	Ø E	Ø F	Ø G Tail Dia.
5	.730 (18.54)	.562 (14.27)	.415 (10.54)	.4375-32 UN-2A	.244 (6.20)	.435 (11.05)	#23 .018/.022 (0.46/0.56)
6	.730 (18.54)	.625 (15.88)	.467 (11.86)	.5000-32 UN-2A	.330 (8.38)	.483 (12.27)	
7	.910 (23.11)	.750 (19.05)	.594 (15.09)	.6250-28 UN-2A	.432 (10.97)	.570 (14.48)	
8	.955 (24.26)	.750 (19.05)	.594 (15.09)	.6250-28 UN-2A	.493 (12.52)	.593 (15.06)	#20 .024/.028 (0.61/0.71)
9	1.000 (25.40)	.812 (20.62)	.655 (16.64)	.6875-28 UN-2A	.551 (14.00)	.685 (17.40)	#16 .060/.064 (1.52/1.63)
10	1.085 (27.56)	.875 (22.23)	.721 (18.31)	.7500-28 UN-2A	.620 (15.75)	.725 (18.42)	
11	1.135 (28.83)	.938 (23.83)	.788 (20.02)	.8125-28 UN-2A	.662 (16.81)	.810 (20.57)	#12 .092/.096 (2.34/2.44)
12	1.190 (30.23)	1.000 (25.40)	.843 (21.41)	.8750-28 UN-2A	.703 (17.86)	.850 (21.59)	
14	1.325 (33.65)	1.125 (28.58)	.968 (24.59)	1.0000-28 UN-2A	.863 (21.92)	.973 (24.71)	

Jam-Nut Rear Panel Mount Cutout Dimensions



Shell Size	A Flat	Ø B
5	.425 (10.80)	.448 (11.38)
	.421 (10.69)	.443 (11.25)
6	.477 (12.12)	.510 (12.95)
	.473 (12.01)	.505 (12.83)
7	.590 (14.99)	.635 (16.13)
	.586 (14.88)	.630 (16.00)
8	.604 (15.34)	.635 (16.13)
	.600 (15.24)	.630 (16.00)
9	.665 (16.89)	.698 (17.73)
	.661 (16.79)	.693 (17.60)
10	.731 (18.57)	.760 (19.30)
	.727 (18.47)	.755 (19.18)
11	.800 (20.32)	.823 (20.90)
	.796 (20.22)	.880 (22.35)
12	.853 (21.67)	.885 (22.48)
	.849 (21.56)	.880 (22.35)
14	.978 (24.84)	1.010 (25.65)
	.974 (24.74)	1.005 (25.53)

Material and Finish

- Shell, jam-nut: aluminum alloy or CRES / see how to order table
- Insulator: LCP / N.A.
- Interfacial seal, O-ring: fluorosilicone / N.A.
- Contact: copper alloy / gold plate per ASTM B 488, Type II, Code C, Class 1.25, over suitable underplate
- Detent spring: CRES / gold plated
- Potting compound: epoxy / N.A.

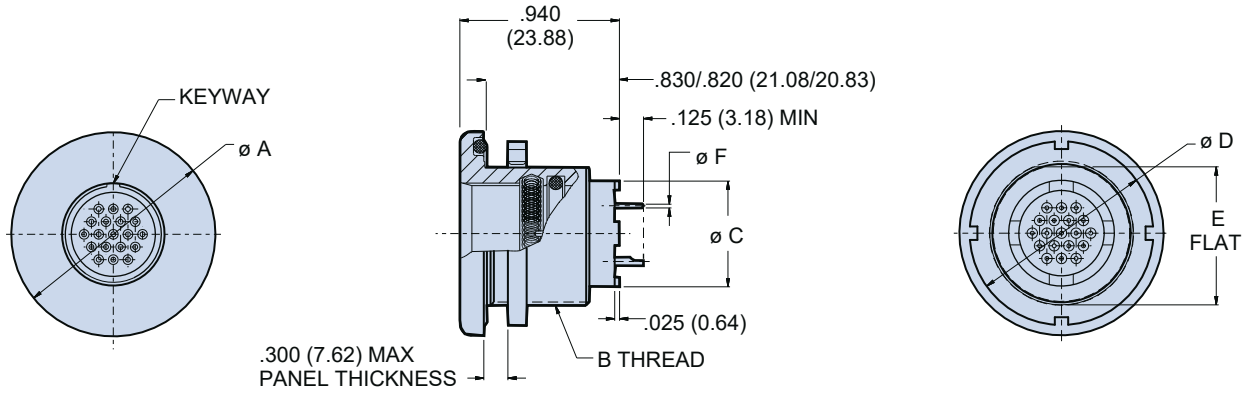
Dimensions in Inches (millimeters) are subject to change without notice.

**Series 804 Push-Pull Mighty Mouse Connector
PC Tail or Solder Cup Receptacle
804-005-00, 804-020-00 Dimensions**



Series 804

Jam-nut, front panel mount receptacle - style 00



Dimensions						
Shell Size	Ø A	B Threads	Ø C	Ø D	E Flat	Ø F Tail Dia.
5	.830 (21.08)	.5000-32 UN-2A	.244 (6.20)	.625 (15.88)	.470 (11.94)	#23 .018/.022 (0.46/0.56)
6	.885 (22.48)	.5625-28 UN-2A	.330 (8.38)	.688 (17.48)	.530 (13.46)	
7	.995 (25.27)	.6875-28 UN-2A	.432 (10.97)	.812 (20.62)	.663 (16.84)	
8	.995 (25.27)	.6875-28 UN-2A	.493 (12.52)	.812 (20.62)	.663 (16.84)	#20 .024/.028 (0.61/0.71)
9	1.075 (27.30)	.7500-28 UN-2A	.551 (14.00)	.875 (22.23)	.720 (18.29)	#16 .060/.064 (1.52/1.63)
10	1.140 (28.96)	.8125-28 UN-2A	.620 (15.75)	.938 (23.83)	.788 (20.02)	
11	1.190 (30.23)	.8750-28 UN-2A	.662 (16.81)	1.000 (25.40)	.843 (21.41)	
12	1.340 (34.04)	1.0000-28 UN-2A	.703 (17.86)	1.125 (28.58)	.970 (24.64)	#12 .092/.096 (2.34/2.44)
14	1.390 (35.31)	1.0620-20 UN-2A	.863 (21.92)	1.162 (29.51)	1.020 (25.91)	

Jam-Nut, Front Panel Mount Cutout Dimensions		
Shell Size	A Flat	Ø B
5	.482 (12.24)	.510 (12.95)
	.478 (12.14)	
6	.542 (13.77)	.575 (14.60)
	.538 (13.67)	
7	.676 (17.17)	.698 (17.73)
	.671 (17.04)	
8	.676 (17.17)	.698 (17.73)
	.671 (17.04)	
9	.732 (18.59)	.760 (19.30)
	.728 (18.49)	
10	.801 (20.35)	.822 (20.88)
	.796 (20.22)	
11	.855 (21.72)	.885 (22.48)
	.851 (21.62)	
12	.982 (24.94)	1.010 (25.65)
	.978 (24.84)	
14	1.032 (26.21)	1.075 (27.30)
	1.028 (26.11)	

Material and Finish

- Shell, jam-nut: aluminum alloy or CRES / see how to order table
- Insulator: LCP / N.A.
- Interfacial seal, O-ring: fluorosilicone / N.A.
- Contact: copper alloy / gold plate per ASTM B 488, Type II, Code C, Class 1.25, over suitable underplate
- Detent spring: CRES / gold plated
- Potting compound: epoxy / N.A.

Dimensions in Inches (millimeters) are subject to change without notice.





Series 804 Push-Pull Mighty Mouse Hermetic Receptacle

804-006 Ordering Information



Series 804 Hermetic Receptacles

feature 304L stainless steel shells, fused vitreous glass insulators and gold-plated Alloy 52 iron alloy contacts.

1 X 10⁻⁷ cc/second

maximum helium leak rate when tested at 1 atmosphere vacuum.

Two Shell Styles are available:

Style 00 for front panel mounting
Style 07 for rear panel mounting.

"Push-Pull" Quick-Disconnect

Canted coil spring securely retains mating plug connector and provides low shell-to-shell resistance for excellent EMI shielding. O-ring inside receptacle shell provides water-tight seal when mated.

How To Order						
Sample Part Number	804-006	-07	Z1	9-19	P	A
Series	804-006 = Hermetic Receptacle					
Shell Style (See Table I)	-00 = Jam-Nut, Front Panel Mount -07 = Jam-Nut, Rear Panel Mount					
Shell Material and Finish	Z1 = Stainless Steel / Passivated; RoHS Compliant ZL = Stainless Steel/Nickel Plated					
Shell Size - Insert Arrangement	See Contact Arrangements Page G-2					
Contact Type	P = Pin, Solder Cup C = Pin, PC Tail S = Socket, Solder Cup D = Socket, PC Tail					
Polarization (See Table II)	Omit = Single Master Key A = Normal B = Pos. B C = Pos. C D = Pos. D E = Pos. E F = Pos. F					

Table I: Shell Style

-00 Jam-Nut, Front Panel Mount	-07 Jam-Nut, Rear Panel Mount

Table II: Keyway Positions

	Pos.	A°	B°
	A	150°	210°
	B	75°	210°
	C	95°	230°
	D	140°	275°
	E	75°	210°
	F	95°	210°

NOTES

- Contacts are non removable
- Receptacle connector mates with all push/pull high density plug connectors with same polarization and opposite contact gender

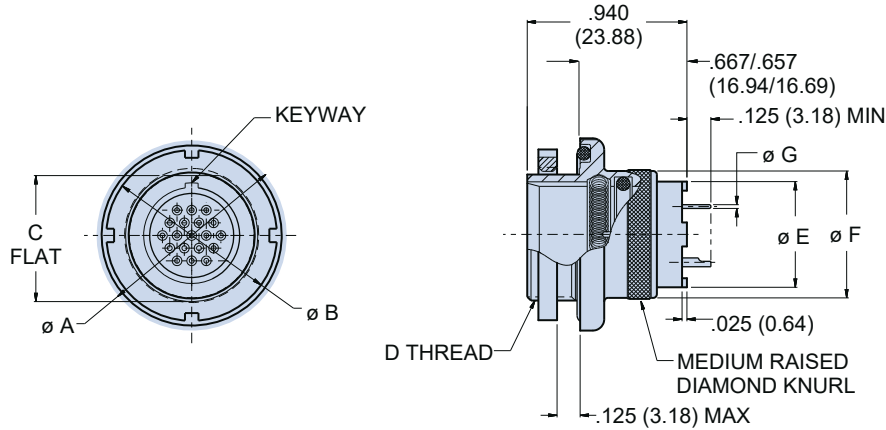
Dimensions in Inches (millimeters) are subject to change without notice.

**Series 804 Push-Pull Mighty Mouse
Hermetic Receptacle
804-006-07 Dimensions**



Series 804

Jam-nut, rear panel mount receptacle - shell style 07



Dimensions							
Shell Size	ø A	ø B	C Flat	D Threads	ø E	ø F	ø G Tail Dia.
5	.790 (20.07)	.562 (14.27)	.415 (10.54)	.4375-32 UN-2A	.244 (6.20)	.450 (11.43)	#23 .018/.022 (0.46/0.56)
6	.830 (21.08)	.625 (15.88)	.467 (11.86)	.5000-32 UN-2A	.336 (8.53)	.520 (13.21)	
7	.910 (23.11)	.750 (19.05)	.594 (15.09)	.6250-28 UN-2A	.432 (10.97)	.580 (14.73)	#20 .024/.028 (0.61/0.71)
8	.955 (24.26)	.750 (19.05)	.594 (15.09)	.6250-28 UN-2A	.493 (12.52)	.603 (15.32)	
9	1.000 (25.40)	.812 (20.62)	.655 (16.64)	.6875-28 UN-2A	.551 (14.00)	.695 (17.65)	#16 .060/.064 (1.52/1.63)
10	1.085 (27.56)	.875 (22.23)	.721 (18.31)	.7500-28 UN-2A	.620 (15.75)	.735 (18.67)	
11	1.135 (28.83)	.938 (23.83)	.788 (20.02)	.8125-28 UN-2A	.662 (16.81)	.810 (20.57)	#12 .092/.096 (2.34/2.44)
12	1.180 (29.97)	1.000 (25.40)	.843 (21.41)	.8750-28 UN-2A	.703 (17.86)	.880 (22.35)	
14	1.325 (33.65)	1.125 (28.58)	.968 (24.59)	1.0000-28 UN-2A	.863 (21.92)	1.010 (25.65)	

Jam-Nut Rear Panel Mount Cutout Dimensions		
Shell Size	A Flat	ø B
5	.425 (10.80) .421 (10.69)	.448 (11.38) .443 (11.25)
6	.477 (12.12) .473 (12.01)	.510 (12.95) .505 (12.83)
7	.590 (14.99) .586 (14.88)	.635 (16.13) .630 (16.00)
8	.604 (15.34) .600 (15.24)	.635 (16.13) .630 (16.00)
9	.665 (16.89) .661 (16.79)	.698 (17.73) .693 (17.60)
10	.731 (18.57) .727 (18.47)	.760 (19.30) .755 (19.18)
11	.800 (20.32) .796 (20.22)	.823 (20.90) .880 (22.35)
12	.853 (21.67) .849 (21.56)	.885 (22.48) .880 (22.35)
14	.978 (24.84) .974 (24.74)	1.010 (25.65) 1.005 (25.53)

Material and Finish

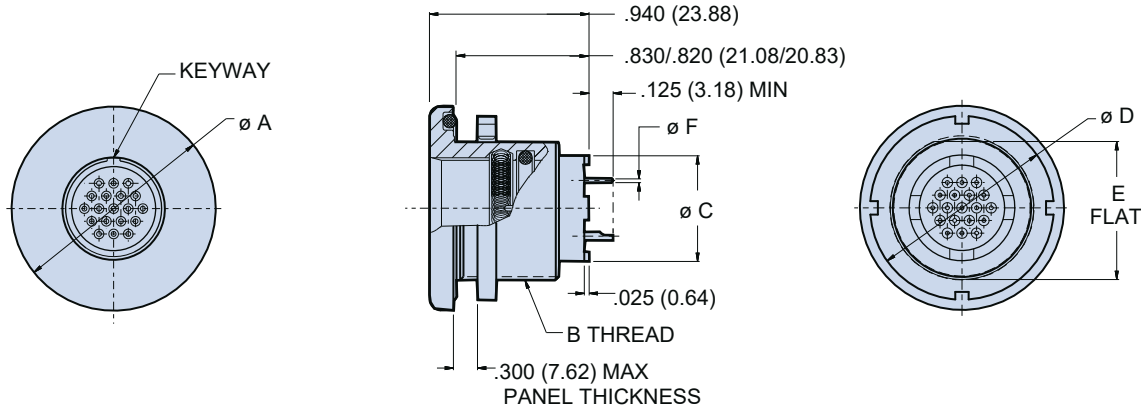
- Shell, jam-nut: aluminum alloy or CRES / see how to order table
- Insulator: LCP / N.A.
- Interfacial seal, O-ring: fluorosilicone / N.A.
- Contact: copper alloy / gold plate per ASTM B 488, Type II, Code C, Class 1.25, over suitable underplate
- Potting compound: epoxy / N.A.

Dimensions in Inches (millimeters) are subject to change without notice.

G

Series 804 Push-Pull Mighty Mouse Connector Hermetic Receptacle 804-006-00 Dimensions

Jam-nut, front panel mount receptacle- shell style 00



Dimensions						
Shell Size	Ø A	B Threads	Ø C	Ø D	E Flat	Ø F Tail Dia.
5	.830 (21.08)	.5000-32 UN-2A	.244 (6.20)	.625 (15.88)	.470 (11.94)	#23 .018/.022 (0.46/0.56)
6	.885 (22.48)	.5625-28 UN-2A	.336 (8.53)	.688 (17.48)	.530 (13.46)	
7	.995 (25.27)	.6875-28 UN-2A	.432 (10.97)	.812 (20.62)	.663 (16.84)	
8	.995 (25.27)	.6875-28 UN-2A	.493 (12.52)	.812 (20.62)	.663 (16.84)	#20 .024/.028 (0.61/0.71)
9	1.075 (27.30)	.7500-28 UN-2A	.551 (14.00)	.875 (22.23)	.720 (18.29)	#16 .060/.064 (1.52/1.63)
10	1.140 (28.96)	.8125-28 UN-2A	.620 (15.75)	.938 (23.83)	.788 (20.02)	
11	1.190 (30.23)	.8750-28 UN-2A	.662 (16.81)	1.000 (25.40)	.843 (21.41)	
12	1.340 (34.04)	1.0000-28 UN-2A	.703 (17.86)	1.125 (28.58)	.970 (24.64)	#12 .092/.096 (2.34/2.44)
14	1.390 (35.31)	1.0625-20 UN-2A	.863 (21.92)	1.162 (29.51)	1.020 (25.91)	

Jam-Nut, Front Panel Mount Cutout Dimensions		
Shell Size	A Flat	Ø B
5	.482 (12.24) .478 (12.14)	.510 (12.95)
6	.542 (13.77) .538 (13.67)	.575 (14.60)
7	.676 (17.17) .671 (17.04)	.698 (17.73)
8	.676 (17.17) .671 (17.04)	.698 (17.73)
9	.732 (18.59) .728 (18.49)	.760 (19.30)
10	.801 (20.35) .796 (20.22)	.822 (20.88)
11	.855 (21.72) .851 (21.62)	.885 (22.48)
12	.982 (24.94) .978 (24.84)	1.010 (25.65)
14	1.032 (26.21) 1.028 (26.11)	1.075 (27.30)

Material and Finish

- Shell, jam-nut: aluminum alloy or CRES / see how to order table
- Insulator: LCP / N.A.
- Interfacial seal, O-ring: fluorosilicone / N.A.
- Contact: copper alloy / gold plate per ASTM B 488, Type II, Code C, Class 1.25, over suitable underplate
- Potting compound: epoxy / N.A.

Dimensions in Inches (millimeters) are subject to change without notice.

Series 804 Push-Pull Mighty Mouse Bulkhead Feed-Thru Receptacle

804-067-07 Ordering Information



Series 804

Series 804 Bulkhead Feed-Thru Receptacle

Use when it is desirable to have a separable connection on both sides of the mounting panel. Jam-nut receptacle features three contact options: pin/socket (preferred version), pin/pin or socket/socket. Contacts are factory installed and are not removable. Available in aluminum or stainless steel.

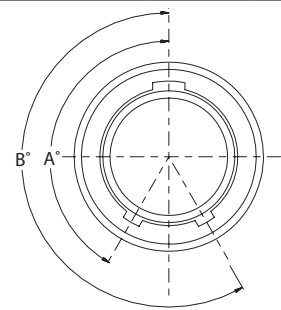
Gold-plated copper alloy contacts and ground spring, high-grade rigid dielectric insulator, fluorosilicone seals. Note: use caution when specifying pin/pin or socket/socket versions. The arrangement pattern is mirrored about the vertical axis.

How To Order	
Sample Part Number	804-067 -07 M 6-7 P P A
Series	804-067 = Bulkhead Feed-Thru Receptacle
Shell Style	-07 = Jam-Nut, Rear Panel Mount
Shell Material and Finish	C = Aluminum / Black Anodize (Non-Conductive); RoHS Compliant M = Aluminum / Electroless Nickel; RoHS Compliant MT = Aluminum / Nickel-PTFE RoHS Compliant NF = Aluminum / Cadmium with Olive Drab Chromate ZN = Aluminum / Zinc-Nickel with Olive Drab Chromate ZNU = Aluminum / Zinc-Nickel with Black Chromate Z1 = Stainless Steel / Passivated; RoHS Compliant
Shell Size - Insert Arrangement	Available in Shell Sizes 5 thru 14. See Contact Arrangements Page G-3
Contact Type Jam-Nut Side	P = Pin S = Socket
Contact Type Other Side	P = Pin S = Socket
Polarization (See Table I)	A = Normal B = Pos. B C = Pos. C D = Pos. D E = Pos. E F = Pos. F

NOTES

1. Contacts are non removable
2. Receptacle connector mates with all push/pull high density plug connectors with same polarization and opposite contact gender
3. Connectors with Pin-Pin and Socket-Socket contact styles will cause the arrangement pattern to be mirrored about the vertical centerline

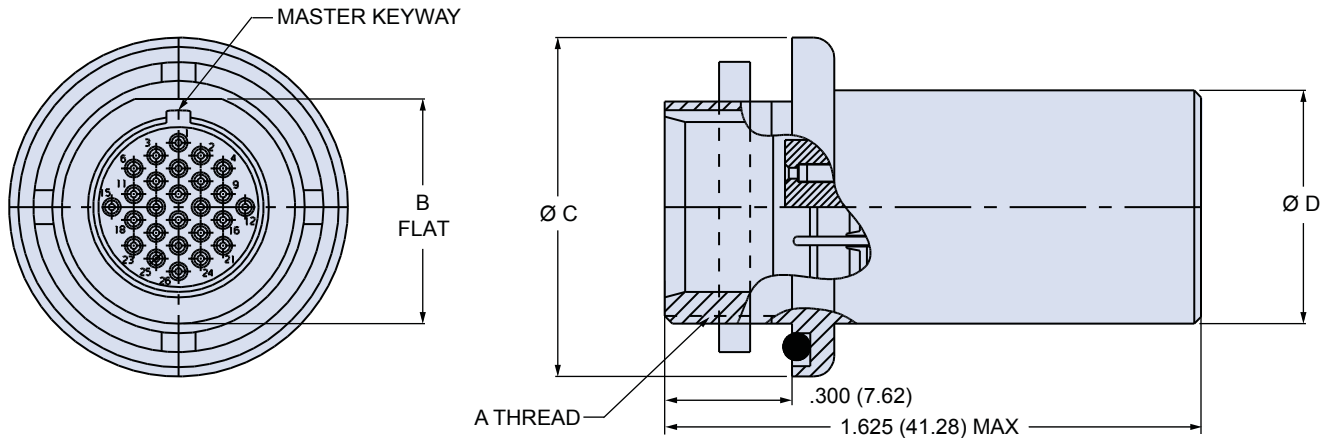
Table I: Keyway Positions



Key Position	Key Rotation	
	A°	B°
A	150°	210°
B	75°	210°
C	95°	230°
D	140°	275°
E	75°	275°
F	95°	210°

Dimensions in Inches (millimeters) are subject to change without notice.

Jam-nut, rear panel mount bulkhead feed-thru - style 07



Dimensions				
Shell Size	A Thread	B Flat	Ø C	Ø D
5	.4375-32 UN-2A	.415 (10.54)	.730 (18.54)	.450 (11.43)
6	.5000-32 UN-2A	.467 (11.86)	.730 (18.54)	.480 (12.19)
7	.6250-28 UN-2A	.580 (14.73)	.900 (22.86)	.580 (14.73)
8	.6250-28 UN-2A	.580 (14.73)	.945 (24.00)	.603 (15.32)
9	.6875-28 UN-2A	.655 (16.64)	1.000 (25.40)	.695 (17.65)
10	.7500-28 UN-2A	.721 (18.31)	1.075 (27.30)	.735 (18.67)
11	.8750-28 UN-2A	.790 (20.07)	1.140 (28.96)	.810 (20.57)
12	8125-28 UN-2A	.843 (21.41)	1.190 (30.23)	.880 (22.35)
14	8750-28 UN-2A	.968 (24.59)	1.312 (33.32)	1.010 (25.65)

Material and Finish

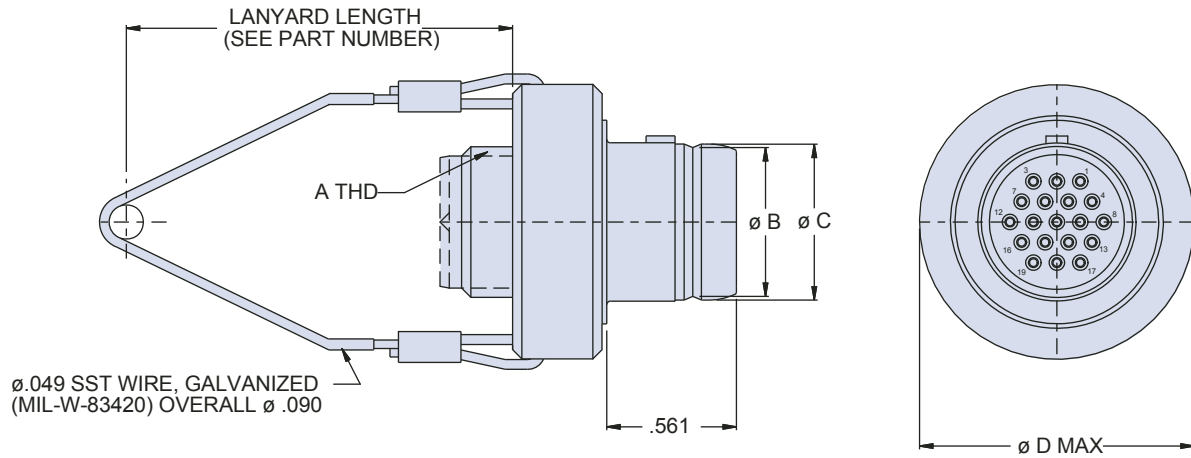
- Shell, jam-nut: aluminum alloy or CRES / see how to order table
- Insulator: LCP / N.A.
- Interfacial seal, O-ring: fluorosilicone / N.A.
- Contact: copper alloy / gold plate per ASTM B 488, Type II, Code C, Class 1.25, over suitable underplate

Jam-Nut Rear Panel Mount Cutout Dimensions		
Shell Size	A Flat	Ø B
5	.425 (10.80) .421 (10.69)	.448 (11.38) .443 (11.25)
6	.477 (12.12) .473 (12.01)	.510 (12.95) .505 (12.83)
7	.590 (14.99) .586 (14.88)	.635 (16.13) .630 (16.00)
8	.604 (15.34) .600 (15.24)	.635 (16.13) .630 (16.00)
9	.665 (16.89) .661 (16.79)	.698 (17.73) .693 (17.60)
10	.731 (18.57) .727 (18.47)	.760 (19.30) .755 (19.18)
11	.800 (20.32) .796 (20.22)	.823 (20.90) .880 (22.35)
12	.853 (21.67) .849 (21.56)	.885 (22.48) .880 (22.35)
14	.978 (24.84) .974 (24.74)	1.010 (25.65) 1.005 (25.53)

Dimensions in Inches (millimeters) are subject to change without notice.

Series 804 Push-Pull Mighty Mouse Quick-Release Lanyard Plug

804-113 Dimensions



Dimensions				
Shell Size	A Thread	ø B	ø C	ø D MAX
5	.250-32 UNEF	.219 (5.56)	.250 (6.35)	.812 (20.62)
6	.3125-32 UNEF	.282 (7.16)	.313 (7.95)	.875 (22.23)
7	.4375-28 UNEF	.351 (8.92)	.383 (9.73)	.938 (23.83)
8	.5000-28 UNEF	.398 (10.11)	.429 (10.90)	1.000 (25.40)
9	.5625-24 UNEF	.454 (11.53)	.486 (12.34)	1.062 (26.97)
10	.6250-24 UNEF	.529 (13.44)	.563 (14.30)	1.125 (28.58)
11	.6875-24 UNEF	.587 (14.91)	.618 (15.70)	1.188 (30.18)
12	.6875-24 UNEF	.646 (16.41)	.676 (17.17)	1.250 (31.75)
14	.9375-20 UNEF	.768 (19.51)	.800 (20.32)	1.375 (34.92)
15	.9375-20 UNEF	.828 (21.03)	.860 (21.84)	1.438 (36.53)

Material and Finish

- Shell: aluminum alloy or CRES / see how to order table
- Insulator: high grade rigid dielectric / N.A.
- Interfacial seal, grommet seal: fluorosilicone / N.A.
- Contact: copper alloy / gold plate per ASTM B 488, Type II, Code C, Class 1.25, over suitable underplate

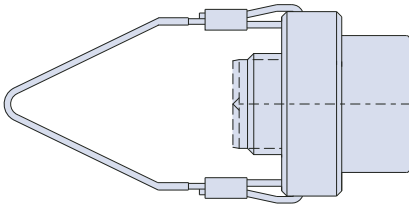
Dimensions in Inches (millimeters) are subject to change without notice.

Series 804 Push-Pull Mighty Mouse Quick-Release Lanyard Receptacle

804-114 Ordering Information



Series 804



Series 804 Quick-Release Lanyard Receptacle

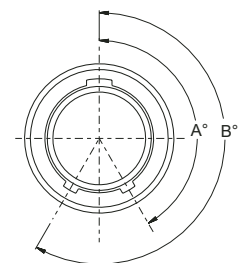
Quick-release lanyard push/pull receptacles provide unparalleled disengagement performance. Low separation force design provides "quick disconnect" of mated connector receptacle with an axial pull on the lanyard. Rear accessory thread allows for addition of connector accessories. Conductive finishes available

How To Order	
Sample Part Number	804-114 -01 M 6-7 P A 6
Series	804-114 = 804 Push / Pull Receptacle with Lanyard
Shell Style	-01 = Receptacle with accessory thread
Shell Material and Finish	C = Aluminum / Black Anodize (Non-Conductive); RoHS Compliant M = Aluminum / Electroless Nickel; RoHS Compliant MT = Aluminum / Nickel-PTFE RoHS Compliant NF = Aluminum / Cadmium with Olive Drab Chromate ZN = Aluminum / Zinc-Nickel with Olive Drab Chromate ZNU = Aluminum / Zinc-Nickel with Black Chromate Z1 = Stainless Steel / Passivated; RoHS Compliant
Shell Size - Insert Arrangement	Available in Shell Sizes 5 thru 14. See Contact Arrangements Page G-3
Contact Style	A = Pin Connector, Less Contacts B = Socket Connector, Less Contacts P = Pin S = Socket G = Pin with 30 AWG Crimp Barrel H = Socket with 30 AWG Crimp Barrel
Polarization (See Table I)	A = Normal B = Pos. B C = Pos. C D = Pos. D E = Pos. E F = Pos. F
Lanyard Length	1 = 1 inch; Lanyard Length In Inches \pm .500

NOTES

1. Contacts are size 23 crimp type, and are used in a rear release retention system
2. Crimp barrel accommodates 22, 24, 26, 28 and 30 (contact style G and H) gage wire.
3. Crimp tool data:
 - Crimp frame: M22520/2-01
 - Positioner for use with crimp frame: Glenair part number 809-005
 - Insertion/extraction tool: Glenair part number 809-088
4. This connector, plug mates with all push/pull high density receptacle connectors with same polarization and opposite contact gender (804-001, 804-002, 804-113)
5. Red stripe indicator for alignment during mating
6. Connector releases from 0° to 15°, 15° release force will vary

Table I: Keyway Positions

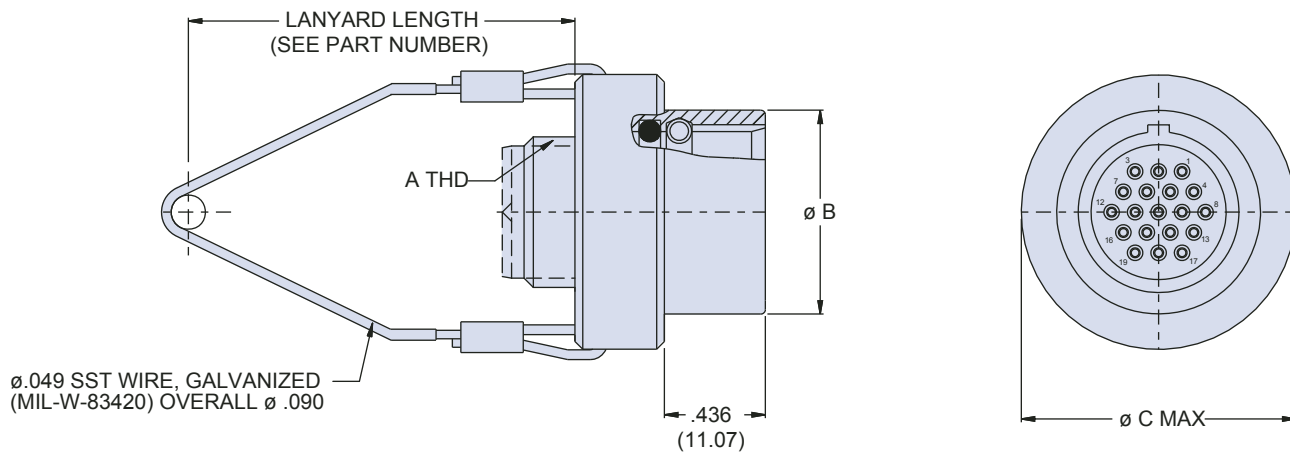


Key Position	Key Rotation	
	A°	B°
A	150°	210°
B	75°	210°
C	95°	230°
D	140°	275°
E	75°	275°
F	95°	210°

Dimensions in Inches (millimeters) are subject to change without notice.

Series 804 Push-Pull Mighty Mouse Quick-Release Lanyard Receptacle

804-114 Dimensions



Dimensions			
Shell Size	A Thread	ø B	ø C MAX
5	.250-32 UNEF	0.450 (11.43)	0.812 (20.62)
6	.3125-32 UNEF	0.480 (12.19)	0.875 (22.23)
7	.4375-28 UNEF	0.580 (14.73)	0.938 (23.83)
8	.500-28 UNEF	0.600 (15.24)	1.000 (25.40)
9	.5265-24 UNEF	0.690 (17.53)	1.062 (26.97)
10	.6250-24 UNEF	0.735 (18.67)	1.125 (28.58)
11	.6875-24 UNEF	0.788 (20.02)	1.188 (30.18)
12	.6875-24 UNEF	0.880 (22.35)	1.250 (31.75)
14	.9375-20 UNEF	0.973 (24.71)	1.375 (34.92)
15	.9375-20 UNEF	1.028 (26.11)	1.438 (36.53)

Material and Finish

- Shell: aluminum alloy or CRES / see how to order table
- Insulator: high grade rigid dielectric / N.A.
- Interfacial seal, grommet seal: fluorosilicone / N.A.
- Contact: copper alloy / gold plate per ASTM B 488, Type II, Code C, Class 1.25, over suitable underplate

Dimensions in Inches (millimeters) are subject to change without notice.

Series 804 Push-Pull Mighty Mouse Coupling Harsh Environment Overmolded Cordsets

General Information



Series 804

Series 804 Harsh Environment Shielded Cordsets



Overmolded Cordset

High performance Mighty Mouse cordsets feature easy ordering and fast delivery. These fully shielded and watertight assemblies withstand abrasion, temperature extremes and chemicals. Flexible overmolding provides rugged, watertight protection to wire and shield. Two styles are available: **Style 1** polyamide overmold and polyurethane cable jacket, and **Style 2** improved temperature range, high flexibility thermoplastic rubber overmold and cable jacket. Overmolded Mighty Mouse cordsets are suitable for military gear and other hostile environments where interconnect reliability and survivability is essential.

Product Features

- Single-ended or double-ended
- Rugged, watertight construction
- 100% electrically tested
- Flexible to -55°C. (Style 2)
- Stainless steel shield termination band
- Resistant to chemicals
- Withstands UV and ozone

Harsh Environment Cordset Selection Guide

Property	Style 1 Polyurethane Jacket Polyamide Overmold	Style 2 Rubber Jacket Rubber Overmold
Cable jacket	Thermoplastic polyurethane (TPU), black	Thermoplastic elastomer (TPV), black
Overmold	Polyamide, black	Thermoplastic elastomer (TPV), black
Operating temperature	-30° C. to +105° C.	-55° C. to +135° C.
Flexibility	Good	Excellent
Water Resistance	Waterproof	Waterproof
Solvent Resistance, Cable Jacket	Excellent	Good
Solvent Resistance, Overmold	Fair ⁽¹⁾	Good
Weatherability	Excellent	Excellent
Abrasion Resistance	Excellent	Good
Flammability	Flame retardant UL 94 V-0	Flame retardant UL 94 HB
Low Smoke, Zero Halogen Cable Jacket	Yes	No
(1) Excellent resistance to most solvents, fuels, and oils; poor resistance to strong acids and bipolar solvents (alcohol)		

Specifications

Cable jacket	Style 1: thermoplastic polyurethane, black, low-smoke, zero-halogen Style 2: thermoplastic elastomer, black
Overmold	Style 1: polyamide Style 2: thermoplastic elastomer, black
Cable shield	Tin-coated copper braid, 90% minimum coverage
Conductors	Silver coated stranded wire, TFE insulated, per M22759/11
Shield Termination	Band-Master™ ATS stainless steel shield termination band
Current rating	#23 5 amps, #20 7.5 amps, #16 13 amps, #12 23 amps
Test voltage (DWV)	500 VAC
Insulation resistance	200 Megohms minimum
Shielding effectiveness	50 dB minimum from 100MHz to 1000MHz.

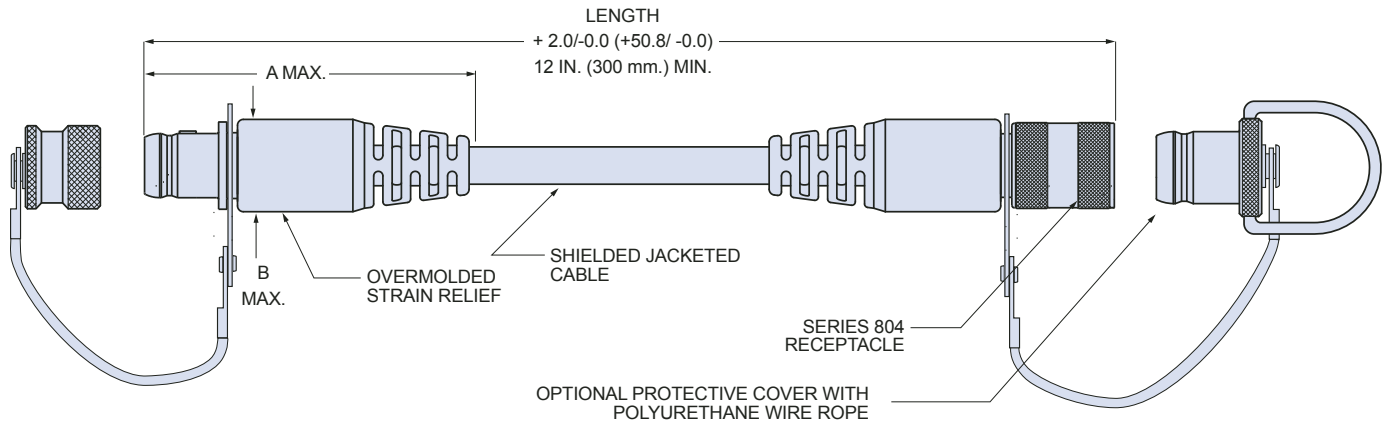
High-Speed Cordsets

Controlled impedance twisted pair cordsets for Ethernet, USB and other protocols are available. Please refer to Section U

Dimensions in Inches (millimeters) are subject to change without notice.

Series 804 Push-Pull Mighty Mouse Harsh Environment Overmolded Cordsets

Dimensions



Dimensions				
Shell Size	A Max.		B Max.	
	In.	mm.	In.	mm.
5	2.46	62.48	0.50	12.70
6	2.56	65.02	0.56	14.22
7	2.64	67.06	0.63	16.00
8	2.70	68.58	0.68	17.27
9	2.90	73.66	0.73	18.54
10	2.95	74.93	0.81	20.57
11	3.0	76.2	0.90	22.86
12	3.10	78.74	0.92	23.37
14	3.20	81.28	1.05	26.67

NOTES

1. Double-ended cordsets are wired pin #1 to pin #1, #2 to #2, and so on.
2. Wires are silver-coated stranded copper with TFE insulation, 600V, in accordance with M22759/11.
3. Wire color is IAW MIL-STD-681 for cables containing 10 wires or less. For cable containing more than 10 wires, wire color is white.

Dimensions in Inches (millimeters) are subject to change without notice.

Series 804 Push-Pull Mighty Mouse Overmolded Cordset with Size #23 and #20HD Contacts

804-015, -062, -022, and -063 Ordering Information



Series 804

Series 804 Cordsets with #23 Contacts								
Sample Part Number								
804-015	-A	C	2	M	7-10	P	A	-72
Series	End A Connector	End B Connector	Wire Size	Shell Material / Finish	Insert Arr.	Protective Cover	Shell Key Pos.	Length
804-015 Style 1 Polyurethane Cable Jacket, Polyamide Overmold	-A Plug, with Male Pin Contacts	A Plug, with Male Pin Contacts	2 #22 AWG	M Aluminum / Electroless Nickel	See Insert Arr. page G-2	P Metal Protective Covers Included N No Covers Supplied	Omit Single Master Key A Pos. A (Normal) B Pos. B C Pos. C D Pos. D E Pos. E F Pos. F See page G-4	Overall Length In Inches 12 Inch Min.
	-B Plug, with Female Socket Contacts	B Plug, with Female Socket Contacts	4 #24 AWG	NF Aluminum / Cadmium with OD Chromate ZNU Aluminum / Zinc-Nickel with Black Chromate MT Aluminum / Nickel-PTFE Z1 Stainless Steel / Passivated				
804-062 Style 2 Rubber Cable Jacket and Overmold	-C Receptacle, with Male Pin Contacts -D Receptacle, with Female Socket Contacts	C Receptacle, with Male Pin Contacts D Receptacle, with Female Socket Contacts N No Connector (Single-Ended)						

Series 804 Cordsets with #20HD Contacts								
Sample Part Number								
804-022	-A	C	0	M	8-28	N	A	-72
Series	End A Connector	End B Connector	Wire Size	Shell Material / Finish	Insert Arr.	Protective Cover	Shell Key Pos.	Length
804-022 Style 1 Polyurethane Cable Jacket, Polyamide Overmold	-A Plug, with Male Pin Contacts	A Plug, with Male Pin Contacts	0 #20 AWG	M Aluminum / Electroless Nickel	See Insert Arr. page G-2	P Metal Protective Covers Included N No Covers Supplied	Omit Single Master Key A Pos. A (Normal) B Pos. B C Pos. C D Pos. D E Pos. E F Pos. F See page G-4	Overall Length In Inches 12 Inch Min.
	-B Plug, with Female Socket Contacts	B Plug, with Female Socket Contacts	2 #22 AWG	NF Aluminum / Cadmium with OD Chromate ZNU Aluminum / Zinc-Nickel with Black Chromate MT Aluminum / Nickel-PTFE Z1 Stainless Steel / Passivated				
804-063 Style 2 Rubber Cable Jacket and Overmold	-C Receptacle, with Male Pin Contacts -D Receptacle, with Female Socket Contacts	C Receptacle, with Male Pin Contacts D Receptacle, with Female Socket Contacts N No Connector (Single-Ended)						

Dimensions in Inches (millimeters) are subject to change without notice.





Series 804 Push-Pull Mighty Mouse Overmolded Cordsets with Size #16 and #12 Contacts

804-018, 064, -019, -065 Ordering Information

Series 804 Cordsets with #16 Contacts								
Sample Part Number								
804-018	-A	C	2	M		N	A	-72
Series	End A Connector	End B Connector	Wire Size	Shell Material / Finish	Insert Arr.	Protective Cover	Shell Key Pos.	Length
804-018 Style 1 Polyurethane Cable Jacket, Polyamide Overmold 804-064 Style 2 Rubber Cable Jacket and Overmold	-A Plug, with Male Pin Contacts -B Plug, with Female Socket Contacts -C Receptacle, with Male Pin Contacts -D Receptacle, with Female Socket Contacts	A Plug, with Male Pin Contacts B Plug, with Female Socket Contacts C Receptacle, with Male Pin Contacts D Receptacle, with Female Socket Contacts N No Connector (Single-Ended)	6 #16 AWG 8 #18 AWG	M Aluminum / Electroless Nickel NF Aluminum / Cadmium with OD Chromate ZNU Aluminum / Zinc-Nickel with Black Chromate MT Aluminum / Nickel-PTFE Z1 Stainless Steel / Passivated	See Insert Arr. page G-2	P Metal Protective Covers Included N No Covers Supplied	Omit Single Master Key A Pos. A (Normal) B Pos. B C Pos. C D Pos. D E Pos. E F Pos. F See page G-4	Overall Length In Inches 12 Inch Min.

Series 804 Cordsets with #12 Contacts								
Sample Part Number								
804-019	-A	C	0	M		N	A	-72
Series	End A Connector	End B Connector	Wire Size	Shell Material / Finish	Insert Arr.	Protective Cover	Shell Key Pos.	Length
804-019 Style 1 Polyurethane Cable Jacket, Polyamide Overmold 804-065 Style 2 Rubber Cable Jacket and Overmold	-A Plug, with Male Pin Contacts -B Plug, with Female Socket Contacts -C Receptacle, with Male Pin Contacts -D Receptacle, with Female Socket Contacts	A Plug, with Male Pin Contacts B Plug, with Female Socket Contacts C Receptacle, with Male Pin Contacts D Receptacle, with Female Socket Contacts N No Connector (Single-Ended)	2 #12 AWG 4 #14 AWG	M Aluminum / Electroless Nickel NF Aluminum / Cadmium with OD Chromate ZNU Aluminum / Zinc-Nickel with Black Chromate MT Aluminum / Nickel-PTFE Z1 Stainless Steel / Passivated	See Insert Arr. page G-2	P Metal Protective Covers Included N No Covers Supplied	Omit Single Master Key A Pos. A (Normal) B Pos. B C Pos. C D Pos. D E Pos. E F Pos. F See page G-4	Overall Length In Inches 12 Inch Min.

Dimensions in Inches (millimeters) are subject to change without notice.

Series 804 Push-Pull Mighty Mouse
Flexible, Lightweight Phantom Cable Cordsets
General Information



Series 804

Series 804 Ultraflexible “Phantom Cable” Cordsets



Phantom Cable cordsets feature high-flex rubber-insulated wires, lightweight shield and overbraided jackets for maximum flexibility, reduced size and minimum weight. Flexible rubber overmold provides strain relief and environmental sealing. EMI shield options include high-strength, ultralightweight **Amberstrand®** nickel-coated composite braid, **ArmorLite™** or lightweight, high flexibility tinned copper braid. Braid outer jackets are available with **NOMEX®**, **HALAR®** or PTFE-coated fiberglass.

Product Features

- Overbraided cable jacket for excellent flexibility
- Ultra-lightweight AmberStrand® EMI shield
- 100% electrically tested
- Flexible to -55°C.
- Stainless steel shield termination band

Application Note

Overbraided textile jackets are ideal for applications where flexibility and weight are important. However, water can penetrate through the jacket and cable shield. Dust and contamination can also become entrapped in the braid. Braided jackets are prone to fraying damage caused by snagging on velcro closures and MOLLE vests. Extruded cable jackets are recommended if debris entrapment, moisture ingress or fraying damage are concerns.

Braid Shield Selection Guide			
Property	Amberstrand®	Armorlite®	Copper
Type	nickel-coated high-strength super fiber	Micro-filament nickel-coated stainless steel	Tin-coated copper
Weight/ft. (0.5 in. ID)	3.7 grams	4.4 grams	22.3 grams
Operating Temp ⁽¹⁾	-65° C to +200° C	-80° C to +260° C	-80° C to +150° C
Coverage	90% min.	90% min.	90% min.
Flexibility	Excellent	Excellent	Good
Cost Comparison	\$\$\$	\$\$	\$

(1) Rubber wires and rubber overmold are rated for -55° C to +135° C.

Jacket Selection Guide			
Property	NOMEX®	HALAR®	PTFE Coated Fiberglass
Color	Black or olive drab	Black	Tan
Operating Temp ⁽¹⁾	-55° C to +260° C	-73° C to +150° C	-75° C to +300° C
Chemical Resistance	Excellent	Excellent	Excellent
Flammability	Self-extinguishing, will not melt	Fire retardant UL VW-1	Self-extinguishing
Toxicity	Non-toxic	Non-toxic	Non-toxic
Flexibility	Excellent	Excellent	Excellent
Abrasion resistance	Excellent	Excellent	Excellent

(1) Rubber wires and rubber overmold are rated for -55° C to +135° C.

Specifications	
Cable jacket	NOMEX®, HALAR® or PTFE-coated fiberglass
Temperature Range	-55° C to +135° C
Overmold	Thermoplastic elastomer, black
Cable shield	AmberStrand®, ArmorLite® or tinned copper, 90% minimum coverage
Conductors	Silver coated stranded wire, rubber insulation
Shield Termination	Band-Master™ ATS stainless steel shield termination band
Current rating	5 amps
Test voltage (DWV)	500 Vac
Insulation resistance	200 Megohms minimum
Shielding effectiveness	50 dB minimum from 100MHz to 1000MHz.

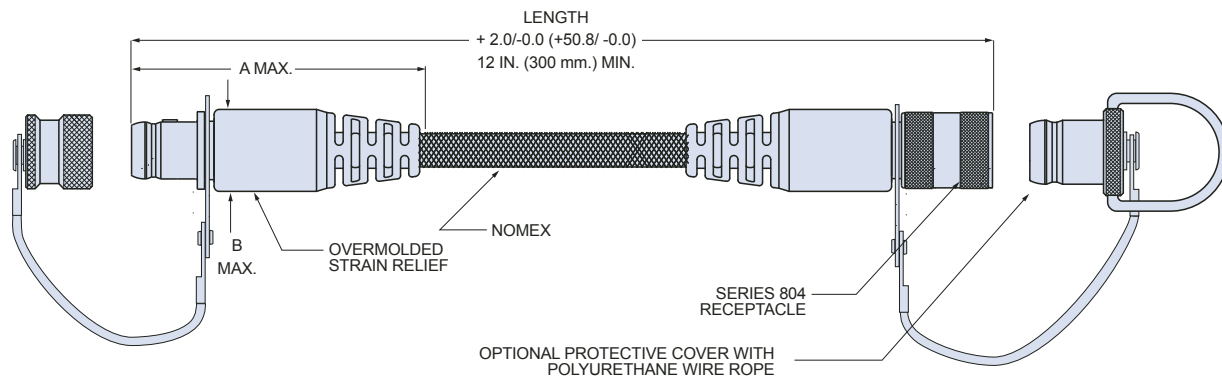
Dimensions in Inches (millimeters) are subject to change without notice.



Series 804 Mighty Mouse Flexible, Lightweight Phantom Cable Cordsets

804-058, -059, 060, 061 Ordering Information

Series 804 "Phantom Cable" Cordsets size #12, #16, #20 and #23 Contacts										
Sample Part Number										
804-058	-B	N	2	Z1	5-3	N	A	-60	C	N
Series	End A Connector	End B Connector	Wire Size	Shell Material/ Finish	Insert Arr.	Protective Cover	Shell Key Pos.	Length	Shield Option	Jacket Option
Size #23 Contacts 804-058 Phantom Cable Cordset	-A Plug, with Male Pin Contacts	A Plug, with Male Pin Contacts	Size #23 Contacts 4 #24 AWG	M Aluminum / Electroless Nickel	See Cont. Arr. Page G-2	P Metal Protective Covers Included N No Covers Supplied	Omit Single Master Key A Pos. A (Normal) B Pos. B C Pos. C D Pos. D E Pos. E F Pos. F	Overall Length In Inches 12 Inch Min.	A Amberstrand B Armorlite C Tin-Coated Copper	N Nomex, Black H Halar (Monofil) P PTFE-Glass (Natural/ Tan)
Size #20 HD Contacts 804-059 Phantom Cable Cordset	-C Rec. with Male Pin Contacts	C Rec. with Male Pin Contacts	Size #20 HD Contacts 0 #20 AWG	ZNU Aluminum / Zinc-Nickel with Black Chromate						
Size #16 Contacts 804-060 Phantom Cable Cordset	-D Rec. with Female Socket Contacts	D Rec. with Female Socket Contacts	Size #16 Contacts 2 #22 AWG	MT Aluminum / Nickel-PTFE						
Size #12 Contacts 804-061 Phantom Cable Cordset	N No Connector (Single-Ended)	N No Connector (Single-Ended)	Size #12 Contacts 6 #16 AWG 8 #18 AWG	Z1 Stainless Steel / Passivated						
Size #12 Contacts 804-061 Phantom Cable Cordset	N No Connector (Single-Ended)	N No Connector (Single-Ended)	Size #12 Contacts 2 #12 AWG 4 #14 AWG	Z1 Stainless Steel / Passivated						



NOTES

1. Double-ended cordsets are wired pin #1 to pin #1, #2 to #2, and so on.
2. Wires are silver-coated stranded copper with TPE insulation, 600V, UL VW-1 rated.
3. Wire color is IAW MIL-STD-681 for cables containing 10 wires or less. For cable containing more than 10 wires, wire color is white.

Dimensions in Inches (millimeters) are subject to change without notice.

Series 804 Push/Pull Mighty Mouse USB Cordset Hub

808-086

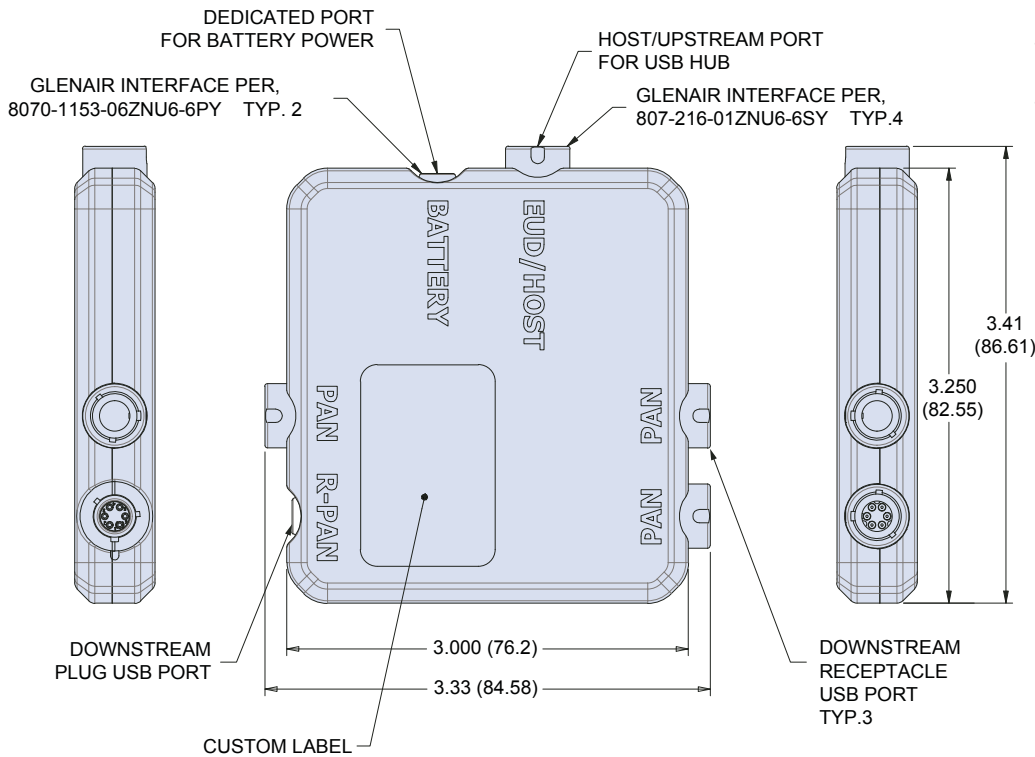
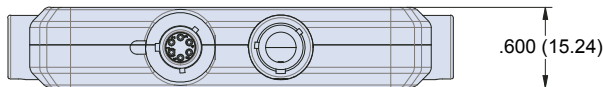


Series 804

808-086 USB Cordset Hub



The Mighty Mouse USB Cordset Hub regulates 5V USB power from a 16V source while providing power management. Features a dedicated battery port, 3 downstream USB receptacle ports, 1 downstream USB plug port and 1 host/upstream receptacle.



NOTES:

- Marking: IUID per MIL-STD-130. Red epoxy infill for master key and embossed text
- 100% system tested for functionality.
- Unit pack: 1 each in electro-static bag, heat-sealed. Includes dust cap.

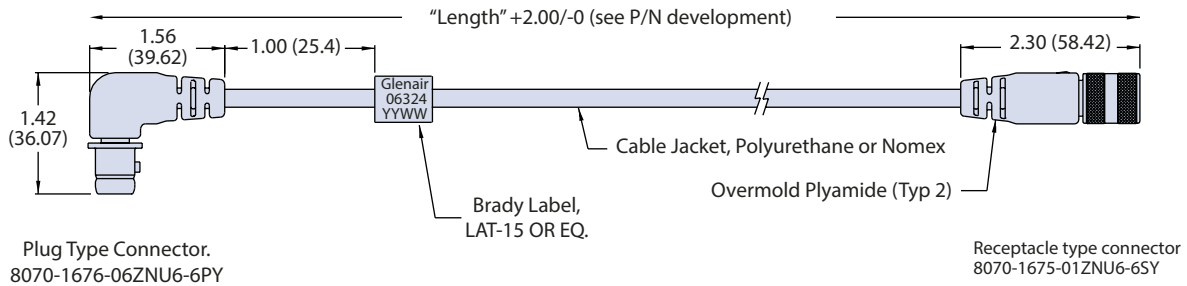
Dimensions in Inches (millimeters) are subject to change without notice.



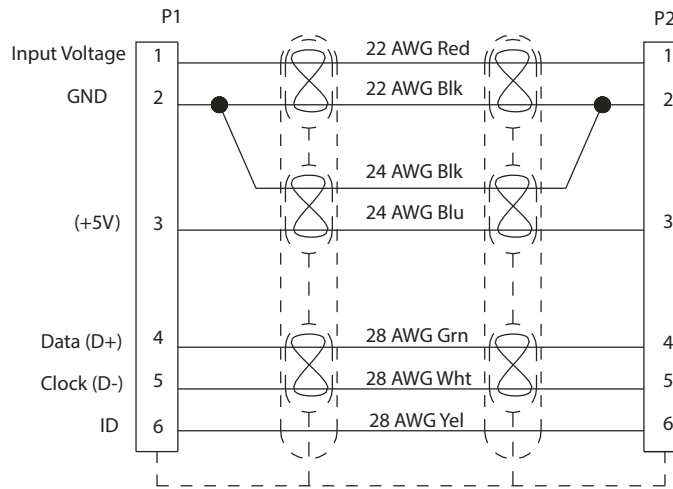
Series 804 Push/Pull Mighty Mouse USB Tactical Patch Cable 808-007 Interface Adapter

These cordsets feature ruggedized series 804 Mighty Mouse Push/Pull connectors in a size #6 shell with insert arrangements for 6 pins for both plug and receptacle. Polyurethane cable jacket is suitable for general purpose applications. Mighty Mouse connector is overmolded with polyamide for strain relief and water ingress protection. All pin connectors have first to mate, last to break (FMLB) contact in position 2.

Note: Cable Type D shown for reference only. See Table I and II for Ordering information on polyurethane or Nomex® jacketed cable types.



Wiring Diagram



Dimensions in Inches (millimeters) are subject to change without notice.

Series 804 Push/Pull Mighty Mouse USB Tactical Patch Cable with Polyurethane Jacket 808-007 Interface Adapter



Series 804

Table I: How To Order Cables with Polyurethane Cable Jacket

Basic P/N	Cable Type	Length	
808-007	-A = Single Ended -AA = Double Ended	In inches 12 = 12 in.	
Sample Part Number			
808-007	-A	12	
808-007	-B = Single Ended	In inches 12 = 12 in.	
Sample Part Number			
808-007	-B	12	
808-007	-C = Single Ended -CC = Double Ended	In inches 12 = 12 in.	
Sample Part Number			
808-007	-C	12	
808-007	-D = Single Ended	In inches 12 = 12 in.	
Sample Part Number			
808-007	-D	12	
808-007	-E = Single Ended -EE = Double Ended	In inches 12 = 12 in.	
Sample Part Number			
808-007	-E	12	

Dimensions in Inches (millimeters) are subject to change without notice.





Series 804 Push/Pull Mighty Mouse USB Tactical Patch Cable with Nomex® Jacket 808-007 Interface Adapter

Table 2: How To Order Cables with Nomex Jacket

Basic P/N	Cable Type	Length	
808-007	-G = Single Ended -GG = Double Ended	In inches 12 = 12 in.	<p style="text-align: center;">"Length" +2.00/-0 (see P/N development)</p> <p style="text-align: center;">Brady label, LAT-18 or EQ. Cable Jacket, Nomex</p>
Sample Part Number			
808-007	-G	12	
808-007	-H = Single Ended	In inches 12 = 12 in.	<p style="text-align: center;">"Length" +2.00/-0 (see P/N development)</p> <p style="text-align: center;">Brady Label, LAT-18 or EQ. Cable Jacket, Nomex Overmold, Polyamide (Typ 2)</p>
Sample Part Number			
808-007	-H	12	
808-007	-J = Single Ended -JJ = Double Ended	In inches 12 = 12 in.	<p style="text-align: center;">"Length" +2.00/-0 (see P/N development)</p> <p style="text-align: center;">1.56 (39.62) 1.00 (25.4) Brady Label, LAT-18 or EQ Cable Jacket Nomex</p> <p style="text-align: center;">1.42 (36.06)</p> <p style="text-align: center;">Master Key</p>
Sample Part Number			
808-007	-J	12	
808-007	-K = Single Ended	In inches 12 = 12 in.	<p style="text-align: center;">"Length" +2.00/-0 (See P/N Development)</p> <p style="text-align: center;">1.56 (39.62) 1.00 (25.4) Brady Label, LAT-18 or EQ Cable Jacket, Nomex Overmold Polyamide (TYP 2)</p> <p style="text-align: center;">1.42 (36.06) 2.30 (58.42)</p> <p style="text-align: center;">Master Key</p>
Sample Part Number			
808-007	-K	12	
808-007	-L = Single Ended -LL = Double Ended	In inches 12 = 12 in.	<p style="text-align: center;">"Length" +2.00/-0 (See P/N Development)</p> <p style="text-align: center;">Cable Jacket, Nomex Brady Label, LAT-18 or EQ Overmold Polyamide (TYP 2)</p> <p style="text-align: center;">1.00 (25.4) 2.30 (58.42)</p>
Sample Part Number			
808-007	-LL	12	

Dimensions in Inches (millimeters) are subject to change without notice.

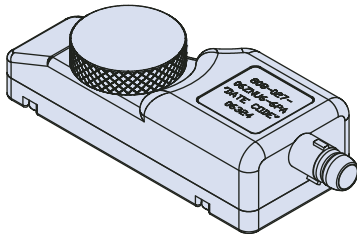
AN/PRC-148 Radio Connector with Mighty Mouse 804 Push/Pull Interface 808-027 - General Information



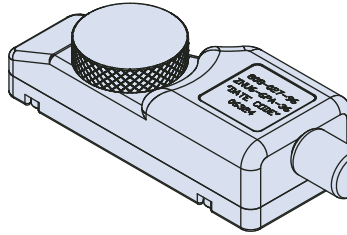
Series 804

These AN/PRC-148, -152, -152A, -154 and RF7800T radio connectors are available as un-cabled, cabled, and cabled pigtail versions to meet your requirements. Connectors feature pogo pin contacts to ensure reliable and consistent performance with situational awareness devices. Cabled and un-cabled versions feature Glenair Mighty Mouse 804 Push/Pull connectors, ideal for breakaway connections. The Series 804 QDC connector features a stainless steel spring in the receptacle and a detent on the plug body. Used for headsets, radios, weapons and other applications, the QDC Mighty Mouse meets immersion requirements and provides excellent durability. The gold-plated spring provides low shell-to-shell resistance for excellent EMI shielding. A fluorosilicone o-ring provides a watertight seal when mated. **See following pages for ordering information.**

**808-027-06
Un-Cabled**



**808-027-96
Cabled**



**808-027-99
Pigtail**

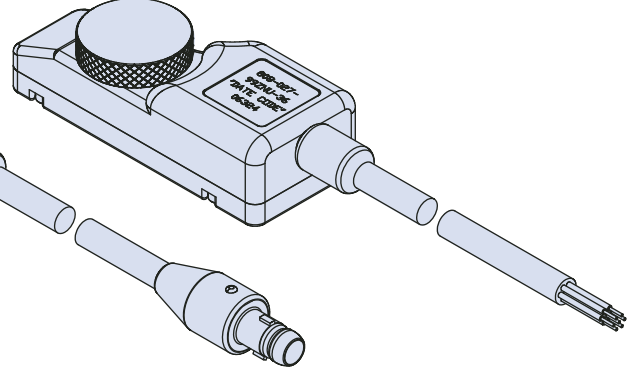


Table I: Alternate Key Positions

Pos.	A°	B°
A	150°	210°
B	75°	210°
C	95°	230°
D	140°	275°
E	75°	275°
F	95°	210°

Table II: Radio Connector Type (Uncabled Versions Shown)

808-027 AN/PRC-148 Radio Connector	808-028 AN/PRC-152 Radio Connector	808-029 AN/PRC-152A Radio Connector	808-030 AN/PRC-154 Radio Connector	808-031 RF7800T Radio Connector

G

NOTES

Specifications

- 100% Electrical test for shorts, continuity, and insulation resistance at 200 megohms minimum.
- Unused cavities will be filled with dummy contacts and sealing plugs.
- Consult factory for additional finishes, custom wiring diagram, or custom connector.

Material / finish:

- Housings & shells - al alloy / per part number development.
- Thumbscrew - SST / passivated with black powder-coated head
- Screws - SST / black oxide
- E-clip - SST / passivated
- Insulators - high-grade rigid dielectric, black / N.A.

- Housing gasket - silicone / N.A.
- Radio gasket - conductive fluorosilicone / N.A.
- Contacts - brass alloy / gold plated
- Mighty mouse connectors per 804-001 and 804-003 specifications.

Rev 112017

Dimensions in Inches (millimeters) are subject to change without notice.

© 2014 Glenair, Inc.

Series 80 Mighty Mouse

U.S. CAGE Code 06324

Printed in U.S.A.

GLENAIR, INC. • 1211 AIR WAY • GLENDALE, CA 91201-2497 • 818-247-6000 • FAX 818-500-9912
www.glenair.com **G-49** E-Mail: sales@glenair.com



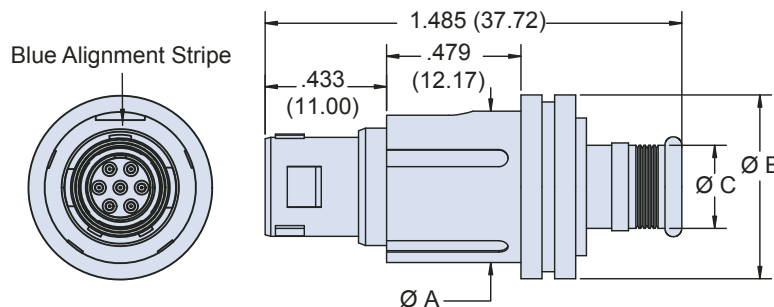
Series 824 Locking Push-Pull Mighty Mouse Plug 824-001 Ordering Information



Series 824 Locking Push/Pull Plug Connector mates and locks with a straight push. To demate connectors release locking mechanism by pulling back on release ring. Rugged locking mechanism withstands 50 pound (223 N) pull force. Aluminum shell, high-grade rigid dielectric insulators, gold-plated copper alloy contacts, copper alloy locking mechanism, fluorosilicone O-ring and wire seal. The Series 824 is ideal for sensors, chargers, vision systems and weaponry where accidental connector disengagement is not an option. Supplied with contacts packaged separately. Contacts are crimp type, snap-in, rear release. Series 824 connectors are compatible with standard Mighty Mouse tools and accessories.

How To Order

Sample Part Number	824-001	-06	M	6-7	P	A
Series	824-001 = Locking Push-Pull plug with shield termination platform					
Shell Style	-06 = In-Line Cable Plug					
Shell Material and Finish	ME = Aluminum / Electroless Nickel; RoHS Compliant MT = Aluminum / Nickel-PTFE RoHS Compliant C = Aluminum / Electroless Nickel NF = Aluminum / Cadmium with Olive Drab Chromate ZN = Aluminum / Zinc-Nickel with Olive Drab over Electroless Nickel ZNU = Aluminum / Zinc-Nickel with Black over Electroless Nickel					
Shell Size - Insert Arrangement	See page G-3					
Contact Type	Connector supplied with Crimp contacts P = Pin S = Socket	Connector supplied without contacts A = Pin Connector, less contacts B = Socket Connector, less contacts	Connector Supplied with 30 AWG Crimp Barrel G = #23 Pin H = #23 Socket			
Polarization (See Table I)	A = Normal B = Pos. B C = Pos. C D = Pos. D E = Pos. E F = Pos. F					



G

Table I: Alternate Key Positions

Pos.	Size 5 - 8		Size 9 - 12	
	A°	B°	A°	B°
A	150°	210°	140°	220°
B	45°	210°	30°	220°
C	45°	230°	30°	250°
D	140°	315°	110°	330°
E	150°	315°	140°	330°

Dimensions

Shell Size	Ø A		Ø B		Ø C	
	in	mm	in	mm	in	mm
5	0.487	12.37	0.609	15.47	0.230	5.84
6	0.539	13.69	0.661	16.79	0.296	7.52
7	0.614	15.60	0.736	18.69	0.390	9.91
8	0.679	17.25	0.801	20.35	0.436	11.07
9	0.742	18.85	0.864	21.95	0.493	12.52
10	0.807	20.50	0.929	23.60	0.570	14.48
12	0.934	23.72	1.056	26.82	0.683	17.35

Rev 112017

Dimensions in Inches (millimeters) are subject to change without notice.

© 2014 Glenair, Inc.

Series 80 Mighty Mouse

U.S. CAGE Code 06324

Printed in U.S.A.

Series 824 Locking Push-Pull Mighty Mouse Mighty Mouse Receptacles 824-003 How to Order



Series 824

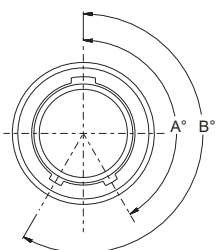


Series 824 Locking Push/Pull Plug Connector mates and locks with a straight push. To demate connectors release locking mechanism by pulling back on release ring. Rugged locking mechanism withstands 50 pound (223 N) pull force. Aluminum shell, high-grade rigid dielectric insulators, gold-plated copper alloy contacts, copper alloy locking mechanism, fluorosilicone O-ring and wire seal. The Series 824 is ideal for sensors, chargers, vision systems and weaponry where accidental connector disengagement is not an option.

How To Order						
Sample Part Number	824-003	-01	M	6-7	P	A
Series (See Table I)	824-003 = Locking Push-Pull Receptacle with band platform					
Shell Style	-01 = In-Line -07 = Rear Panel Mount Jam-Nut -00 = Front Panel Mount Jam-Nut					
Shell Material and Finish	ME = Aluminum / Electroless Nickel; RoHS Compliant MT = Aluminum / Nickel-PTFE RoHS Compliant C = Aluminum / Electroless Nickel NF = Aluminum / Cadmium with Olive Drab Chromate ZN = Aluminum / Zinc-Nickel with Olive Drab over Electroless Nickel ZNU = Aluminum / Zinc-Nickel with Black over Electroless Nickel					
Shell Size - Insert Arrangement	See page G-3					
Contact Type	Connector supplied with Crimp contacts P = Pin S = Socket	Connector supplied without contacts A = Pin Connector, less contacts B = Socket Connector, less contacts	Connector Supplied with 30 AWG Crimp Barrel G = Pin H = Socket			
Polarization (See Table III)	A = Normal B = Pos. B C = Pos. C D = Pos. D E = Pos. E F = Pos. F					

Dimensions														
Shell Size	Ø A		Ø B		Ø C		Ø D		E Thread	F Thread	G Flat		H Flat	
	in	mm	in	mm	in	mm	in	mm			in	mm	in	mm
5	0.548	13.92	0.868	22.05	0.868	22.05	0.316	8.03	9/16-28 UN	1/2-28 UNEF	0.534	13.56	0.470	11.94
6	0.600	15.24	0.868	22.05	0.868	22.05	0.390	9.91	9/16-28 UN	9/16-28 UN	0.534	13.56	0.530	13.46
7	0.696	17.68	1.039	26.39	1.039	26.39	0.473	12.01	11/16-28 UN	11/16-28 UN	0.655	16.64	0.663	16.84
8	0.760	19.30	1.097	27.86	1.039	26.39	0.560	14.22	3/4-28 UN	11/16-28 UN	0.721	18.31	0.663	16.84
9	0.822	20.88	1.116	28.35	1.097	27.86	0.586	14.88	13/16-28 UN	3/4-28 UN	0.788	20.02	0.720	18.29
10	0.893	22.68	1.231	31.27	1.160	29.46	0.688	17.48	7/8-28 UN	13/16-28 UN	0.846	21.49	0.788	20.02
12	0.974	24.74	1.359	34.52	1.347	34.21	0.805	20.45	1-28 UN	1-28 UN	0.968	24.59	0.970	24.64

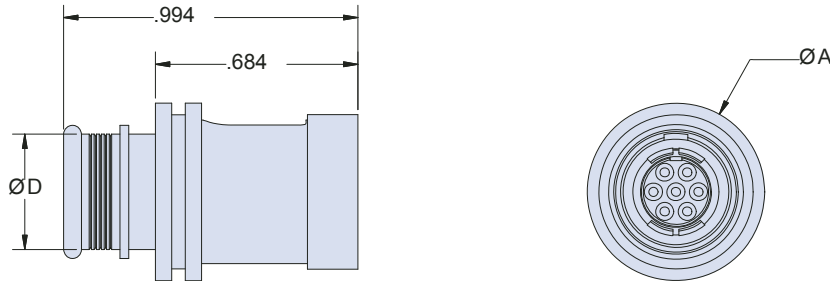
Table I: Alternate Key Positions				
Pos.	Size 5 - 8		Size 9 - 12	
	A°	B°	A°	B°
A	150°	210°	140°	220°
B	45°	210°	30°	220°
C	45°	230°	30°	250°
D	140°	315°	110°	330°
E	150°	315°	140°	330°



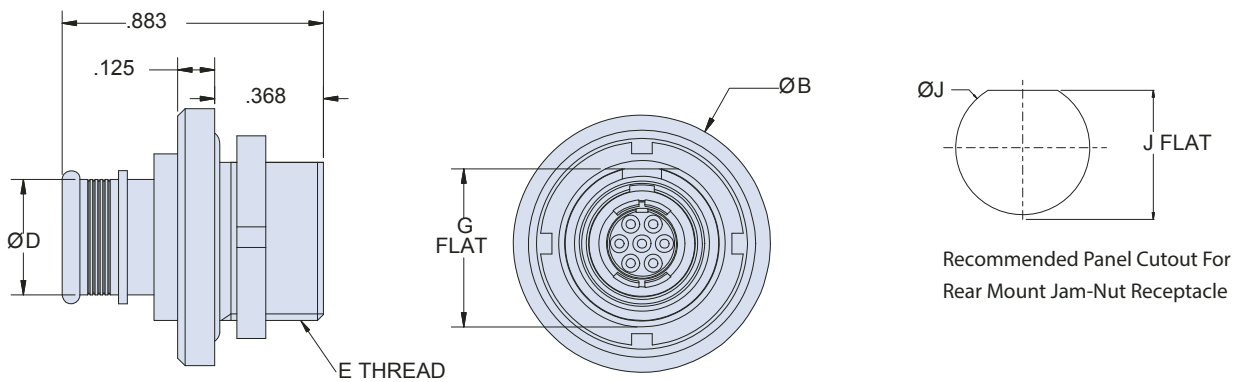
Panel Cutout Dimensions								
Shell Size	I Flat		Ø J		K Flat		Ø L	
	in	mm	in	mm	in	mm	in	mm
5	0.544	13.82	0.575	14.61	0.480	12.19	0.510	12.95
6	0.544	13.82	0.575	14.61	0.540	13.72	0.575	14.61
7	0.665	16.89	0.698	17.73	0.673	17.09	0.698	17.73
8	0.731	18.57	0.760	19.30	0.673	17.09	0.698	17.73
9	0.798	20.27	0.820	20.83	0.730	18.54	0.760	19.30
10	0.856	21.74	0.885	22.48	0.798	20.27	0.820	20.83
12	0.978	24.84	1.010	25.65	0.980	24.89	1.010	25.65

Dimensions in Inches (millimeters) are subject to change without notice.

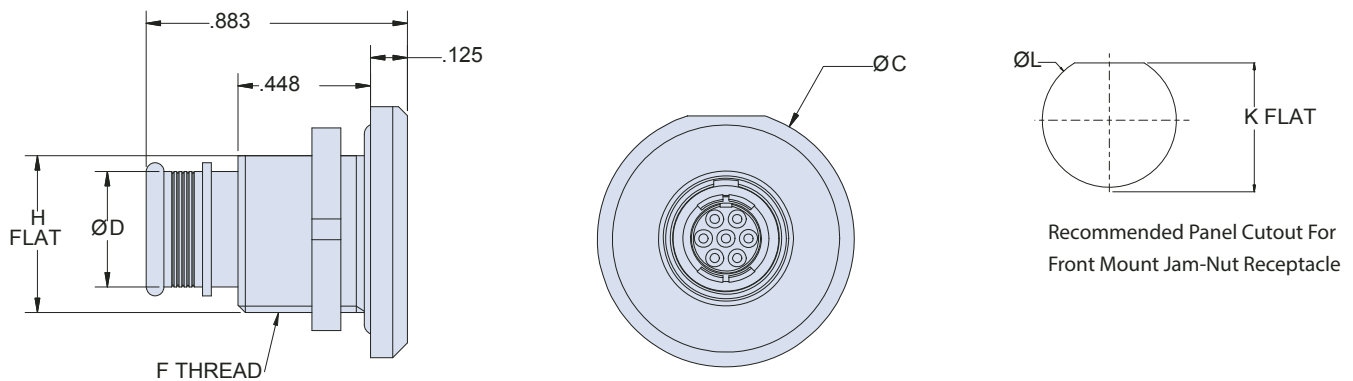
In-line cable receptacle - shell style 01



Jam-nut, rear panel mount receptacle - shell style 07



Jam-nut, front panel mount receptacle - shell style 00



Dimensions in Inches (millimeters) are subject to change without notice.

Series 824 Locking Push-Pull Mighty Mouse Locking Push/Pull with Hi-Speed 10G Contacts Ordering Information



Series 824



Quick Disconnect

These plugs snap securely into receptacle housings and release with a simple pull.

Two Keying Styles

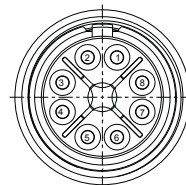
A single master key provides fast mating in low-light situations, or specify three keys for more polarizing options.

How To Order	
Sample Part Number	824-010 -01 MT P A -1
Series (See Table I)	824-009 = Plug with Shrink Boot Groove 824-010 = Receptacle with Boot Groove
Shell Style	-06 = Plug -01 = In-Line Receptacle -00 = Front Panel Jam-Nut Mount -07 = Rear Panel Mount, Jam-Nut Receptacle
Shell Material and Finish	ME = Aluminum Alloy / Electroless Nickel MT = Aluminum Alloy / Nickel-PTFE, RoHS Compliant ZN = Aluminum Alloy / O.D. Zinc-Nickel over Electroless Nickel ZNU = Aluminum Alloy / Black Zinc Nickel over Electroless Nickel
Module Type	P = Pin S = Socket
Alternative Polarization	A, B, C, D, E
Cable Size	See Cable Size Table

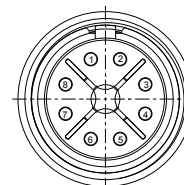
Alternate Positions		
Plug (Key)	Receptacle (Keyway)	
Pos.	A°	B°
A	140	220
B	30	220
C	30	250
D	110	330
E	140	330

Table I: Series	
824-009-06 Plug with Banding Platform	824-010-00 FPM Jam-Nut, Receptacle with Banding Platform
824-010-01 In-Line Receptacle with Banding Platform	824-010-07 RPM Jam-Nut Receptacle with Banding Platform

Figure 1: Contact Module, Inner Orientation



SOCKET MODULE FACE
858-100



PIN MODULE FACE
858-101

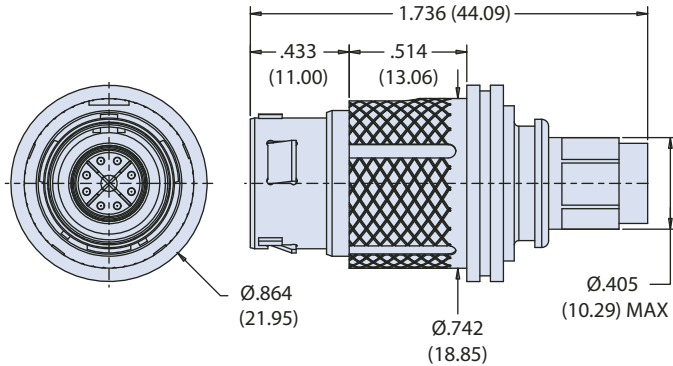
Dimensions in Inches (millimeters) are subject to change without notice.

Series 824 Locking Push-Pull Mighty Mouse

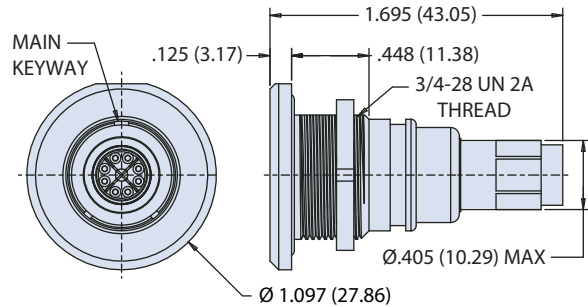
Locking Push/Pull with Hi-Speed 10G Contacts

Dimensions

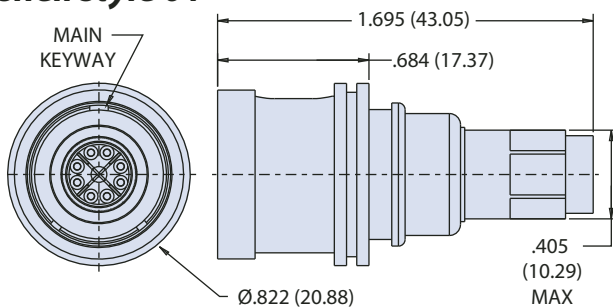
Cable plug shell style -06



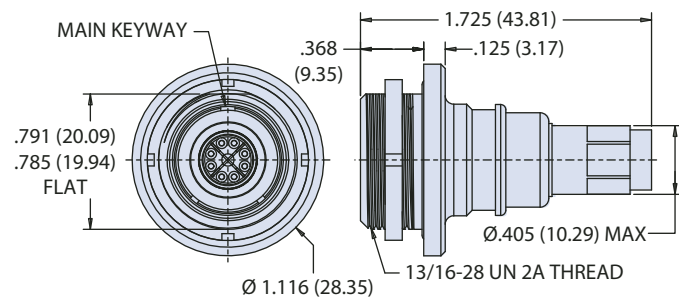
Front panel mount, jam-nut receptacle shell style 00



In-line receptacle shell style 01



Jam-nut, rear panel mount receptacle shell style 07



Cable Size Options (See note 1)

Cable Size	Cable Diameter
1	.280 (7.11)
2	.2740 (6.96)
3	.260 (6.60)
4	.250 (6.35)
5	.240 (6.10)
6	.230 (5.84)
7	.220 (5.59)

Cable*

Cable P/N	Cable Category	Cable Construction	Wire Gage	Max Wire Insulation Dia.	Assembly Instructions
963-003-24	CAT 6A	SF/UTP	24	.050	AI85082
963-003-26	CAT 6A	SF/UTP	26	.050	
963-037	CAT 6A	SF/UTP	24	.050	
963-038	CAT 6A	SF/UTP	24	.050	

Contact factory to inquire about use with other cables

NOTES

- Spare high speed modules (858-100 and 858-101) may be ordered separately. Module wrench tool (607-011) supplied with each connector
- See assembly instruction AI85082 for high speed module terminations. See assembly instructions AI85087 for module installation
- See Figure 1 for inner contact pinout
- This plug mates with 824-009 of the same key polarization using a speedmaster module of the opposite gender.
- See cable size table for available cable size options. See cable table. For cable in-between sizes select smaller size. Maximum cable diameter is .280

Dimensions in Inches (millimeters) are subject to change without notice.

SERIES 805

MIGHTY MOUSE



Triple-start threaded coupling with superior EMI protection and anti-decoupling ratchet mechanism.



The Series 805 Mighty Mouse connectors feature the culmination of performance within the Series 80 family. ACME triple start threads ensure quick mate and de-mate operation and resists cross threading. Nickel-plated beryllium copper ground spring and metal to metal bottoming ensure excellent EMI shielding while reducing shell to shell resistance. Proven ratchet mechanism prevents decoupling in applications where high vibration is a concern. Meets MIL-STD-810 Method 512 immersion requirements. Choose between aluminum or stainless steel shells and the right fit for your application with our broad selection of 69 shell size and insert arrangement combinations.



Glenair, Inc.
1211 Air Way
Glendale, CA
91201-2497
818-247-6000
sales@glenair.com
www.glenair.com

Series 805 Mighty Mouse Triple-Start Threaded Coupling Table of Contents and Introduction



Series 805

PRODUCT SELECTION GUIDE



Environmental Crimp Contact Plug

Plug connector is supplied with a full complement of contacts for termination to insulated wire. Use with Band-Master™ ATS stainless steel bands (ordered separately), or select connectors with accessory threads for use with a variety of strain relief options.

Page H-11



Mighty Mouse Cobra™ Right Angle Low Profile Plug

Mighty Mouse Cobra connectors feature a low profile and integral backshell design. Equipped with a removable rear cover and gasket for easy installation of the supplied crimp contacts. Available in shell sizes 8 thru 23

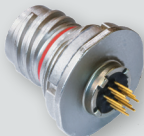
Page H-13



Environmental Crimp Contact Receptacle

Jam-nut, square flange and in-line version available. Integral band porch for use with Band-Master™ ATS stainless steel bands (ordered separately), or select connectors with accessory threads for use with a variety of strain relief options.

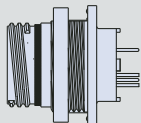
Page H-16



Environmental or Watertight PCB Receptacle

Watertight version meets MIL-STD 810 method 512G immersion requirements. Choose PC tails for attachment to flexible or rigid circuits, or choose solder cup contacts for direct wire attachment. Backpotted and paralyene compatible

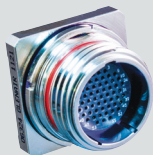
Page H-21



PCB Receptacle with Twinax PC Tail Contacts

Front or rear panel mount connectors with size 12 TwinAx contacts are offered in 8 standard or 9 hybrid insert arrangements. Non-removable, contacts are gold plated copper alloy. Integral .025 (.64) standoff, is back potted and paralyene compatible.

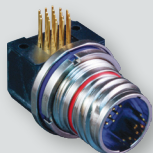
Page H-25



Jam-Nut Receptacle with PC Tails or Solder Cup Contacts

PCB receptacle features pin or socket, gold plated copper alloy contacts. Contacts are factory installed and non removable. Integrated .025 in standoff for board washout and 2-56 heli-coil thread. Backpotted and paralyene compatible.

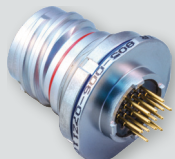
Page H-29



Series 805 Mighty Mouse Jam-Nut Receptacle, Right Angle Header

Header connectors feature PC tail or solder cup contacts, factory installed and non-removable. Connectors are potted with epoxy for general purpose applications and paralyene compatible.

Page H-31



Hermetic, PCB Receptacle Connector with Solder Cups or PC Tails

PCB connector with .025 (0.64) integral standoff for board washout. Available in square flange, solder mount, weld mount and jam-nut shell styles. Hermetically sealed to less than 10⁻⁷ ccHe/second at 1 atmosphere. Contacts are non-removable. Connector is backpotted and paralyene compatible.

Page H-35

Dimensions in Inches (millimeters) are subject to change without notice.



Series 805 Mighty Mouse Triple-Start Threaded Coupling Table of Contents and Introduction

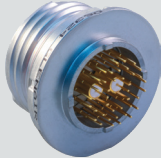
PRODUCT SELECTION GUIDE



Hermetic Receptacle with Solder Cups and Integral Banding Porch

Hermetic connector features solder cup contacts for direct wire attachment and integral banding porch for use with Band-Master™ ATS stainless steel bands (ordered separately). Available in square flange, solder mount, weld mount and jam-nut shell styles. Connector leak rate is less than 1×10^{-7} ccHe/second at 1 atmosphere and paralyene compatible.

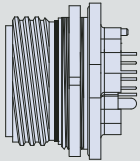
Page H-38



Hermetic Receptacle with PC Tail Co-Ax Contacts

Hermetic connector features PC tail Co-Ax contacts for attachment to flexible or rigid board. Integral .025 (.64) standoff for board washout. Available in square flange, solder mount, and jam-nut shell styles. Connector leak rate is less than 1×10^{-7} ccHe/second at 1 atmosphere and paralyene compatible.

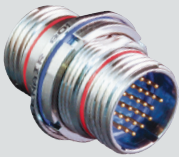
Page H-41



Hermetic Receptacle with Co-Ax PC Tail Contacts

Hermetic connector features gold plated nickel-iron alloy contacts and compression glass dielectric material. Threaded standoff for board washout and robust attachment to PC board. Hermeticity less than 1×10^{-7} cc/second at 1 atmosphere. The stainless steel connector shell provides excellent corrosion protection

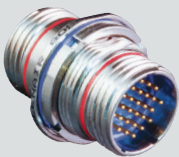
Page H-44



Series 805 Mighty Mouse Bulkhead Feedthru Connector

Feedthru connectors offer a separable connection on both sides of the mounting panel. Jam-nut mount feedthru is available in shell sizes 5 to 23. Maximum panel thickness of .100 (2.54). Copper alloy gold-plated contacts may be ordered in pin-pin, pin-socket or socket-socket styles and will be mirrored about the vertical centerline when pin-pin or socket-socket styles are selected.

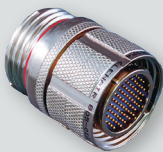
Page H-46



Series 805 Mighty Mouse Hermetic Bulkhead Feedthru Connector

Hermetic feedthru connectors offer a separable connection on both sides of the mounting panel. Hermeticity less than 1×10^{-7} cc/second at 1 atmosphere. Copper alloy gold-plated contacts available in pin-pin, pin-socket or socket-socket styles will be mirrored about the vertical centerline when pin-pin or socket-socket styles are selected.

Page H-49



Series 805 Sav-Con® Connector Saver

Protect expensive test equipment and cables with Glenair Sav-Con® connector savers. These plug/receptacle adapters feature non-removable contacts and a ratcheting coupling mechanism to prevent loosening under vibration.

Page H-50



Series 805 Mighty Mouse Cordsets

Choose overmolded or overbraided cordsets for your specific application. Overmolded sets are low smoke and offer excellent all-weather cable protection, overbraided sets are ultraflexible and available with Nomex®, Halar® or PTFE-coated fiberglass.

Page H-52

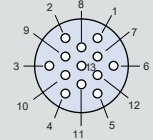
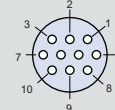
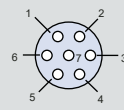
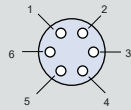
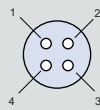
Dimensions in Inches (millimeters) are subject to change without notice.

**Series 805 Mighty Mouse
Triple-Start Threaded Coupling
Contact Arrangements, Mating Face of Pin Insert Shown**

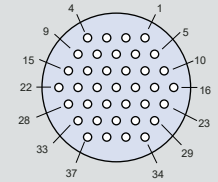
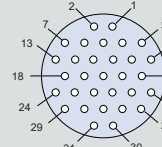
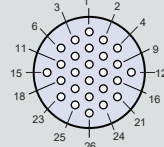
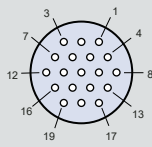


Series 805

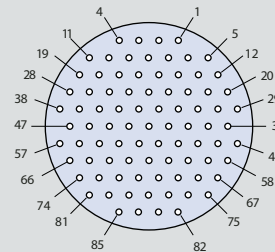
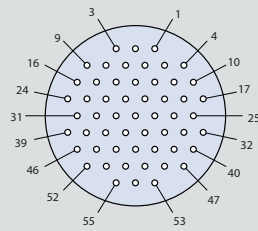
Size #23 Signal Contacts, Tested at 1800 VAC, Mating Face of Pin Insert Shown



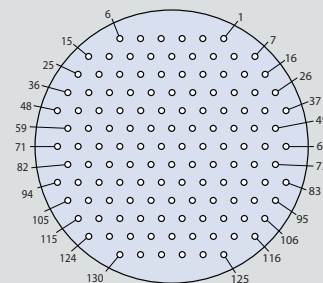
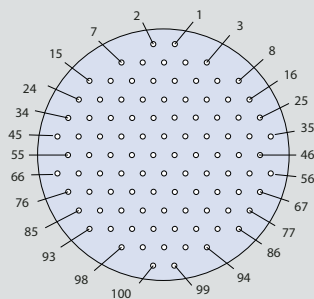
Insert Arrangement	8-4	8-6	8-7	9-10	10-13
No. of Contacts	4	6	7	10	13



Insert Arrangement	11-19	12-26	13-31	15-37
No. of Contacts	19	26	31	37



Insert Arrangement	18-55	19-85
No. of Contacts	55	85



Insert Arrangement	21-100	23-130
No. of Contacts	100	130

Dimensions in Inches (millimeters) are subject to change without notice.

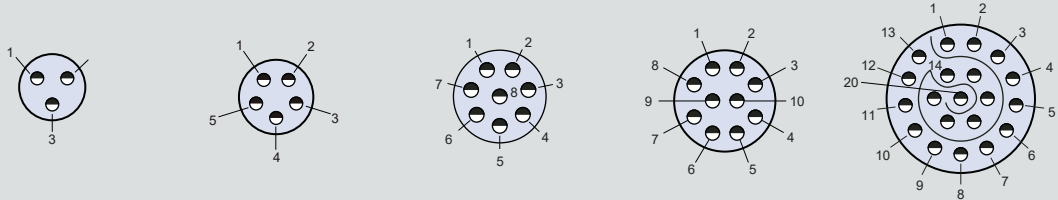




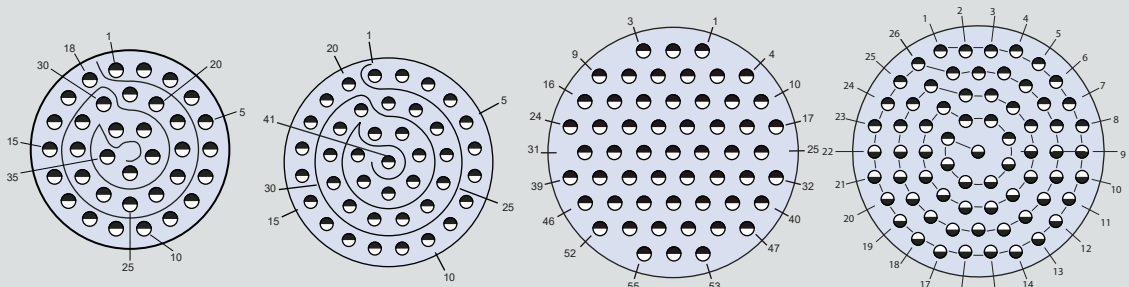
Series 805 Mighty Mouse Triple-Start Threaded Coupling

Contact Arrangements, Mating Face of Pin Insert Shown

Size #20HD Power Contacts, Tested at 1000 VAC

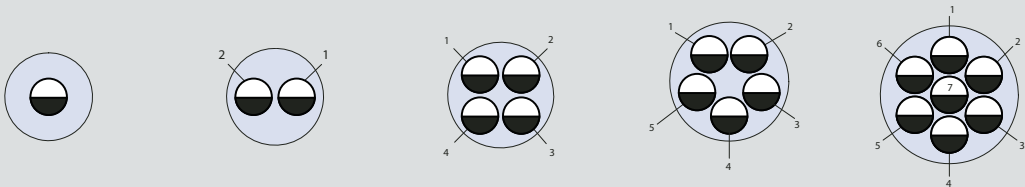


Insert Arrangement	8-23	9-25	10-28	11-210	15-220
No. of Contacts	3	5	8	10	20

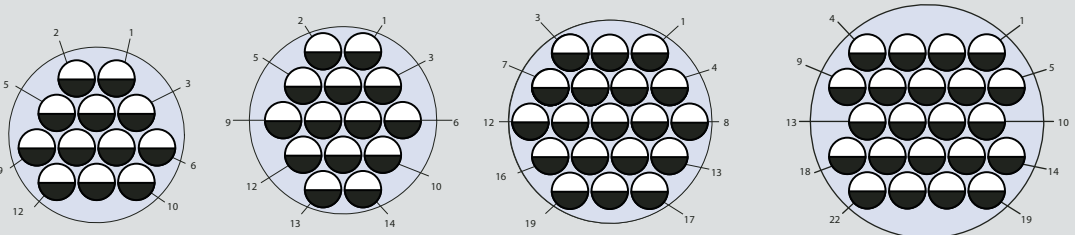


Insert Arrangement	18-235	19-241	21-255	23-269
No. of Contacts	35	41	55	69

Size #16 Power Contacts, Tested at 1800 VAC



Insert Arrangement	8-1	10-2	11-4	12-5	15-7
No. of Contacts	1	2	4	5	7



Insert Arrangement	18-12	19-14	21-19	23-22
No. of Contacts	12	14	19	22

Dimensions in Inches (millimeters) are subject to change without notice.

**Series 805 Mighty Mouse
Triple-Start Threaded Coupling
Contact Arrangements, Mating Face of Pin Insert Shown**



Series 805

Size #12 Power, Tested at 1800 VAC

Insert Arrangement	9-1	12-2	15-2	15-3
No. of Contacts	1	2	2	3
Insert Arrangement	18-4	18-5	19-7	23-12
No. of Contacts	4	5	7	12

Size #8 Contact Arrangements Available for Series 801 Connectors, See Section K for Details

Size 23 and Size 20 Combo Contact Arrangements, Mating Face of Pin Insert Shown

Insert Arrangement	10-200	11-201
Contact Size	#20 #23	#20 #23
No. of Contacts	2 4	2 8
VAC Test Voltage	750	750

Dimensions in Inches (millimeters) are subject to change without notice.

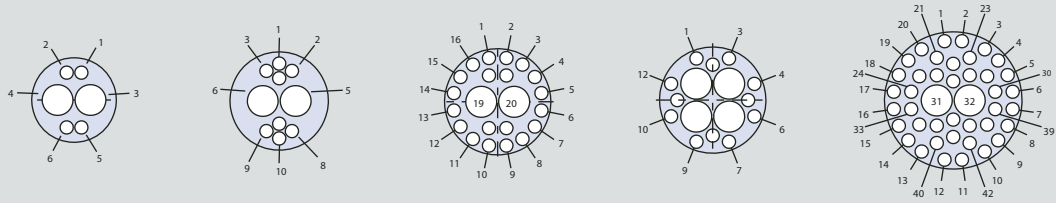




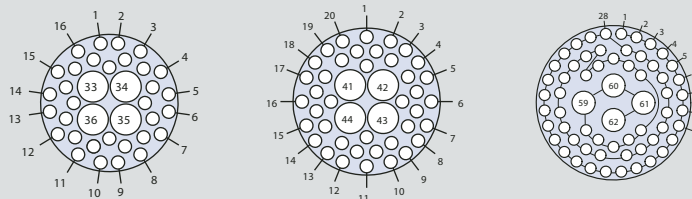
Series 805 Mighty Mouse Triple-Start Threaded Coupling

Contact Arrangements, Mating Face of Pin Insert Shown

Size 23 and Size 16 Combo Contacts Arrangements

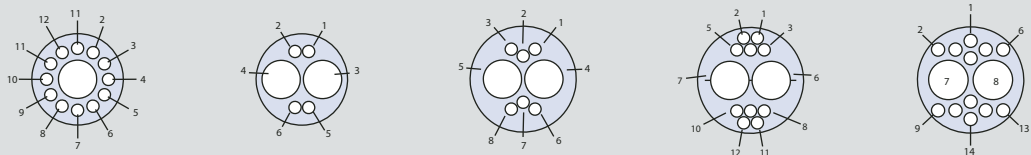


Insert Arrangement	11-200		12-202		15-202		15-203		18-204	
Contact Size	#16	#23	#16	#23	#16	#23	#16	#23	#16	#23
No. of Contacts	2	4	2	8	2	20	4	12	2	40
VAC Test Voltage	750		750		1300		1300		1300	

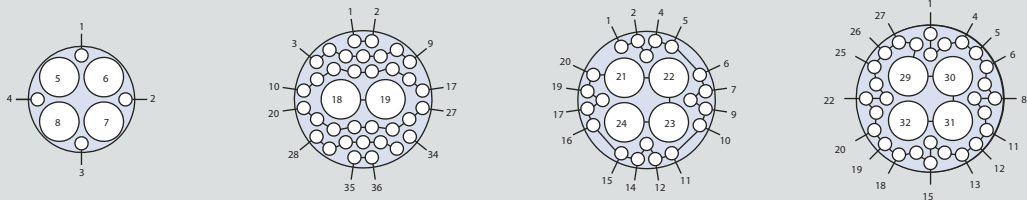


Insert Arrangement	18-205		19-203		19-206	
Contact Size	#16	#23	#16	#23	#16	#23
No. of Contacts	4	32	4	40	4	58
VAC Test Voltage	1300		1300		1300	

Size 23 and Size 12 Combo Contact Arrangements



Insert Arrangement	12-200		12-201		15-200		15-201		15-204	
Contact Size	#12	#23	#12	#23	#12	#23	#12	#23	#12	#23
No. of Contacts	1	12	2	4	2	6	2	10	2	12
VAC Test Voltage	750		750		750		750		1300	



Insert Arrangement	15-205		18-206		18-207		19-204	
Contact Size	#12	#23	#12	#23	#12	#23	#12	#23
No. of Contacts	4	4	2	34	4	20	4	28
VAC Test Voltage	1300		1300		1300		1300	

Dimensions in Inches (millimeters) are subject to change without notice.

H

Series 805 Mighty Mouse Triple-Start Panel Cutout Dimensions and Polarization



Series 805

Panel Cutout Dimensions

Panel Cutout For Jam-Nut and Wall Mount Receptacles					
Shell Size	Square Flange			Jam-Nut	
	G Bsc	Ø H	Ø R	N Flat	Ø P
8	.660 (16.76)	.096 (2.44) .091 (2.31)	.515 (13.08)	.545 (13.84) .541 (13.74)	.572 (14.53) .567 (14.40)
9	.723 (18.36)		.578 (14.68)	.671 (17.04) .667 (16.94)	.698 (17.73) .693 (17.60)
10	.785 (19.94)		.640 (16.26)	.671 (17.04) .667 (16.94)	.698 (17.73) .693 (17.60)
11	.848 (21.54)		.703 (17.86)	.731 (18.57) .727 (18.47)	.760 (19.30) .755 (19.18)
12	.909 (23.09)		.765 (19.43)	.794 (20.17) .790 (20.07)	.822 (20.88) .817 (20.75)
13	.973 (24.71)		.828 (21.03)	.851 (21.62) .847 (21.51)	.885 (22.48) .881 (22.38)
15	1.058 (26.87)		.130 (3.30) .126 (3.20)	.953 (24.21)	.980 (24.89) .976 (24.79)
18	1.255 (31.88)	1.140 (28.96)		1.157 (29.39) 1.153 (29.29)	1.198 (30.43) 1.193 (30.30)
19	1.327 (33.71)	1.203 (30.56)		1.231 (31.27) 1.227 (31.17)	1.260 (32.00) 1.255 (31.88)
21	1.452 (36.88)	1.328 (33.73)		1.358 (34.49) 1.354 (34.39)	1.383 (35.13) 1.381 (35.08)
23	1.570 (39.88)	1.453 (36.91)		1.480 (37.59) 1.476 (37.49)	1.510 (38.35) 1.505 (38.23)

Polarization

Plug Key Positions		
Position	A°	B°
Normal (A)	150°	210°
B	75°	210°
C	95°	230°
D	140°	275°
E	75°	275°
F	95°	210°

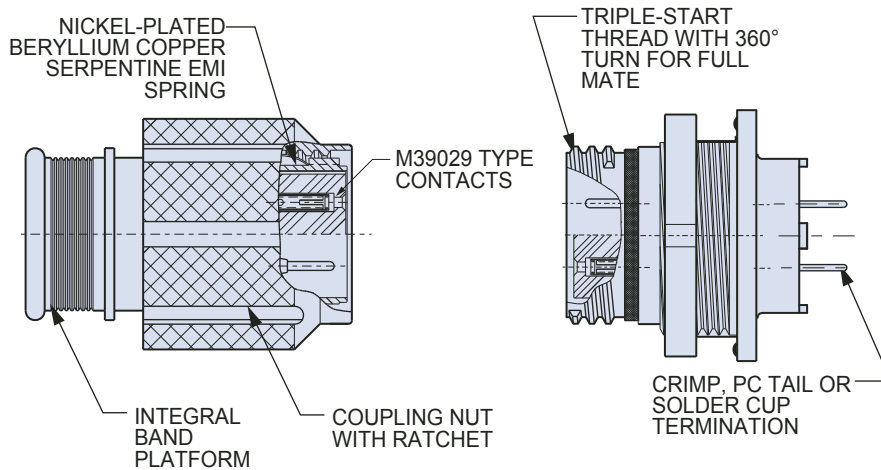
Receptacle Keyway Positions		
Position	A°	B°
A	150°	210°
B	75°	210°
C	95°	230°
D	140°	275°
E	75°	275°
F	95°	210°

Dimensions in Inches (millimeters) are subject to change without notice.





Series 805 Mighty Mouse Triple-Start Threaded Coupling General Information



Glenair's Series 805 Connector Offers Outstanding EMI Protection and Vibration Resistance in a Miniaturized Package

The Series 805 connector was developed to provide several performance enhancements compared to other "Mighty Mouse" versions. A ratchet mechanism in the coupling nut prevents de-mating under severe vibration. EMI performance is improved with a serpentine ground spring on the plug barrel. This nickel plated beryllium copper spring assures low shell-to-shell resistance. The Series 805, although larger than other Series 80 versions, saves size and weight compared to MIL-DTL-38999 connectors with no compromise in performance.

Outstanding EMI Shielding

Nickel-plated beryllium copper ground spring and metal-to-metal bottoming for excellent EMI performance.

Triple-Start Coupling

Rugged ACME threads resist cross-threading and allow fast mating.

Environmentally Sealed

Meets MIL-STD-810 Method 512 immersion.

Anti-Decoupling

Ratcheting anti-decoupling mechanism prevents coupling nut backoff when subjected to high vibration.

Specifications	
Current Rating	#23-5 A, #20HD-7.5 A, #16-13 A, #12-23 A
D.W.V.	#23-750 VAC, #20HD-1000 VAC #12 and #16-1800 VAC
I.R.	5000 megohms minimum
Operating Temperature	-65° C. to +175° C.
Shock	300 g.
Vibration	37 g.
Shielding Effectiveness	55 dB minimum low frequency from 100MHz to 1000MHz. and 65 dB minimum high frequency from 1 GHz to 10GHz.
Magnetic Permeability	2.0 μ maximum
Durability	500 mating cycles

Materials and Finishes	
Shells, Jam-Nuts	Aluminum alloy or stainless steel
Contacts	Copper alloy, 50 μlnch gold plated
Insulators	High-grade rigid dielectric
Contact Retention Clip	Beryllium copper alloy
Seal, O-rings, Grommet	Fluorosilicone rubber
Spring	Nickel-plated beryllium copper
See Series 80 General Information for complete material and finish specs.	

Size Comparison: Series 805 Versus D38999 Series III

Layout	Number of Contacts	D38999 Layout	Number of Contacts	Maximum Plug Diameter			Maximum Jam-Nut Receptacle Diameter		
				Series 805	D38999	% Reduction	Series 805	D38999	% Reduction
8-7	7 #23	9-35	6 #20	.707 (17.96)	.859 (21.82)	17%	.775 (19.68)	1.201 (30.51)	35%
10-13	13 #23	11-35	13 #22D	.804 (20.42)	.969 (24.61)	18%	.895 (22.73)	1.386 (35.20)	35%
11-19	19 #23	13-35	19 #22D	.933 (23.70)	1.141 (28.98)	20%	.960 (24.38)	1.512 (38.40)	36%
12-26	26 #23	17-26	26 #20	.999 (25.37)	1.391 (35.33)	29%	1.075 (27.30)	1.764 (44.81)	39%
15-37	37 #23	15-35	37 #22D	1.113 (28.27)	1.266 (32.16)	13%	1.218 (30.94)	1.638 (41.61)	26%
18-55	55 #23	17-35	55 #22D	1.308 (33.22)	1.391 (35.33)	7%	1.404 (35.66)	1.764 (44.81)	20%
19-85	85 #23	21-35	85 #22D	1.328 (33.73)	1.625 (41.28)	19%	1.465 (37.21)	2.075 (52.71)	29%
23-130	130 #23	25-35	128 #22D	1.577 (40.06)	1.875 (47.63)	16%	1.720 (43.69)	2.323 (59.00)	26%

Dimensions in Inches (millimeters) are subject to change without notice.

Series 805 Mighty Mouse Triple-Start Connector Weights

Maximum Connector Weight in Grams



Series 805 Connector Weight In Grams					
Contact Arrangement	Cable Plug	Jam-Nut Recep Crimp	Jam-Nut Recep PCB	Sq. Flange Recep Crimp	Sq. Flange Recep PCB
8-23P	7.5	5.8	5.7	5.8	4.6
8-23S	8	6.4	6.2	6.4	5.1
8-4P	8.3	6.6	6.5	6.6	5.4
8-4S	8.8	7.2	7.0	7.2	5.9
8-6P	8.4	6.7	6.8	5.5	5.7
8-6S	8.9	7.3	7.3	5.9	6.2
8-7P	7.3	5.6	5.5	5.6	4.4
8-7S	7.7	6.1	5.9	6.1	4.8
9-1P	10.9	9.0	9.0	6.8	7.7
9-1S	11.4	9.6	9.6	7.4	8.3
9-25P	10.8	8.9	8.8	6.7	7.6
9-25S	11.3	9.6	9.4	7.4	8.1
9-10P	10.7	8.8	8.8	6.6	7.5
9-10S	11.6	9.7	9.7	7.5	8.4
10-2P	13.3	10.2	10.3	8.9	9.4
10-2S	14.1	11.0	11.1	9.7	10.1
10-28P	15.2	10.4	10.9	9.1	10
10-28S	16.4	11.5	11.7	10.2	10.7
10-13P	12.7	9.6	9.7	8.3	8.7
10-13S	13.4	10.3	10.5	9.0	9.5
10-200P	13.9	10.8	10.9	9.5	9.9
10-200S	14.7	11.7	11.8	10.3	10.8
11-4P	15.4	12.1	13.1	10.3	11.3
11-4S	16.4	13.1	14.1	11.3	12.3
11-210P	15.2	11.9	12.6	10.1	10.8
11-210S	16.4	13.1	13.8	11.3	12
11-19P	14.3	11.0	12.0	9.2	10.2
11-19S	15.4	12.1	13.1	10.3	11.3
11-200P	14.9	11.6	12.5	9.8	10.8
11-200S	16.0	12.7	13.6	10.9	11.9
11-201P	14.5	11.3	11.6	9.5	9.8
11-201S	15	12.4	12.7	10.6	10.9
12-2P	17.4	13.6	15.4	11.9	12.2
12-2S	18.7	14.9	16.9	13.2	13.7
12-5P	17.6	13.9	16.3	12.2	13.1
12-5S	19.0	15.3	17.7	13.6	14.5
12-26P	15.8	12.1	14.5	10.5	11.3
12-26S	17.4	13.6	16.1	12.0	12.9
12-200P	16.5	12.8	15.2	11.1	12.0
12-200S	17.9	14.2	16.6	12.5	13.4
12-201P	16.6	12.9	15.3	11.2	12.1
12-201S	18.0	14.3	16.7	12.7	13.5
12-202P	16.6	12.9	15.3	11.2	12.1
12-202S	18.2	14.4	16.8	12.8	13.6
13-31P	19.5	15.7	19.1	12.8	15.9
13-31S	21.8	18	20.8	14.4	17.6
15-2P	20.7	20.2	21.8	17.1	19.5
15-2S	22.3	21.9	23.4	18.7	21.1
15-3P	21.7	21.2	22.8	18.0	20.5
15-3S	23.4	23.0	24.5	19.8	22.2
15-7P	21.9	21.5	23.0	18.3	20.7
15-7S	24.5	24.1	25.6	20.9	23.3
15-220P	20.8	21	24.1	18.2	21.8
15-220S	23.8	23.4	25.9	21.3	23.6
15-37P	20.1	19.7	21.2	16.5	18.9
15-37S	23.0	22.6	24.1	19.4	21.8

Series 805 Connector Weight In Grams					
Contact Arrangement	Cable Plug	Jam-Nut Recep Crimp	Jam-Nut Recep PCB	Sq. Flange Recep Crimp	Sq. Flange Recep PCB
15-200P	20.4	19.9	21.5	16.7	19.1
15-200S	22.6	22.1	23.7	18.9	21.3
15-201P	20.7	20.2	21.8	17.1	19.5
15-201S	23.0	22.6	24.1	19.4	21.8
15-202P	20.8	20.3	22.4	17.2	20.9
15-202S	22.7	22.3	23.8	19.1	22.4
15-203P	21.1	20.6	23.7	17.5	21.4
15-203S	23	22.6	25.1	19.4	22.8
18-12P	30.7	32.3	30.9	36.8	29.8
18-12S	34.3	36.0	34.5	30.5	33.4
18-235P	29	31.9	32	26.4	31
18-235S	32.7	35.9	35.1	30.4	34
18-55P	27.3	28.9	27.5	23.4	26.4
18-55S	30.7	32.3	30.9	26.8	29.8
18-204P	29	30.6	30	25.1	28.9
18-204S	33	34.7	32.5	29.2	31.4
18-205P	29.3	30.9	30.5	25.4	29.4
18-205S	33.3	35	31.6	29.5	31.8
18-206P	29.5	31.1	30.6	25.6	29.5
18-206S	33.4	35.1	33.2	29.6	32.1
18-207P	30.3	31.9	31.5	26.4	30.4
18-207S	34.2	35.9	34.4	30.4	33.3
19-7P	27.9	30.0	33.1	25.1	33.0
19-7S	31.0	33.1	36.2	28.2	36.1
19-14P	32.9	35.0	38.1	30.0	38.0
19-14S	32.6	34.7	37.7	29.7	37.6
19-241P	32.8	29.5	33.6	29.9	33.5
19-241S	33.6	33.9	36.7	30.7	36.6
19-85P	26.6	28.7	31.8	23.8	31.7
19-85S	31.1	33.2	36.3	28.3	36.2
19-203P	25.8	27.9	31.6	23	30.5
19-203S	29.4	31.6	34	26.7	32.9
19-204P	26.4	28.5	32.6	23.6	40.2
19-204S	30.3	32.5	35.5	27.6	43.1
21-19P	46	46.9	42.1	32.3	42
21-19S	46.7	47.7	45.4	39.4	45.2
21-100P	43.7	44.6	41.5	35.5	36.8
21-100S	45.7	46.6	44.6	44.3	39.1
21-255P	45.8	46.7	41.8	37.6	37.1
21-255S	48	48.8	46	46.6	40.5
21-201P	48.4	49.3	42.2	40.2	37.5
21-201S	52.6	53.5	49.4	51.2	43.9
21-202P	54	54.9	46.2	45.8	41.5
21-202S	61	61.9	57.5	59.6	52.02
23-5P	49	51.7	48.3	45.5	47.8
23-5S	61.8	54.6	62.3	58.4	61.8
23-12P	40.2	42.9	44.4	36.7	43.9
23-12S	45.2	48.0	49.5	41.8	49.0
23-22P	42.7	45.4	47.0	39.3	46.4
23-22S	49.6	52.4	53.9	46.2	53.4
23-269P	39.3	43	44.9	35.8	44.4
23-269S	46.4	50.3	50	43	49.5
23-130P	37.8	40.6	42.1	34.4	41.6
23-130S	44.9	47.7	49.3	41.6	48.7
23-200P	46.6	49.3	47.9	43.1	47.4
23-200S	58.3	51.1	59.9	54.9	58.9



Series 805 Mighty Mouse Triple-Start ACME Thread Plug with Crimp Contacts

805-001 and 805-002 Ordering Information



Series 805 Plugs: feature two shell styles including and Integral platform for direct shield attachment using Band-Master™ ATS termination system or accessory thread for attaching a connector backshell for strain relief. EMI ground spring achieves low shell-to-shell resistance. This nickel-plated beryllium copper spring enables the Series 805 to meet greater than 60 dB

shielding effectiveness from 100 MHz to 15 GHz. Coupling features an anti-decoupling ratchet mechanism in the coupling nut that locks into radial teeth on the plug barrel. This feature allows the Series 805 to stay mated even when under high vibration, without the need for safety wire or torque tools. Crimp removable contacts

How To Order															
Sample Part Number	805-001	-16	M	8-4	P	A									
Series (See Table I)	805-001 = Plug with Banding Platform 805-002 = Plug with Accessory Thread														
Shell Style	-16 = Plug Connector with Anti-Decoupling Mechanism														
Shell Material and Finish	C = Aluminum / Black Anodize (Non-Conductive); RoHS Compliant M = Aluminum / Electroless Nickel; RoHS Compliant MT = Aluminum / Nickel-PTFE RoHS Compliant NF = Aluminum / Cadmium with Olive Drab Chromate ZN = Aluminum / Zinc-Nickel with Olive Drab Chromate ZNU = Aluminum / Zinc-Nickel with Black Chromate Z1 = Stainless Steel / Passivated; RoHS Compliant														
Shell Size - Insert Arrangement	See Contact Arrangements Page H-2														
Contact Type	<table border="0"> <tr> <td>With contacts</td> <td>Without contacts</td> <td>With 30 AWG Crimp Barrel</td> </tr> <tr> <td>P = Pin</td> <td>A = Pin Connector, less contacts</td> <td>G = #23 Pin</td> </tr> <tr> <td>S = Socket</td> <td>B = Socket Connector, less contacts</td> <td>H = #23 Socket</td> </tr> </table> <p>Connectors ordered with contacts supplied do not come pre installed. Coaxial contacts and non-standard signal contacts are ordered separately.</p>						With contacts	Without contacts	With 30 AWG Crimp Barrel	P = Pin	A = Pin Connector, less contacts	G = #23 Pin	S = Socket	B = Socket Connector, less contacts	H = #23 Socket
With contacts	Without contacts	With 30 AWG Crimp Barrel													
P = Pin	A = Pin Connector, less contacts	G = #23 Pin													
S = Socket	B = Socket Connector, less contacts	H = #23 Socket													
Shell Key Positions (See Table II)	A = Normal B = Pos. B C = Pos. C D = Pos. D E = Pos. E F = Pos. F														

Table I: Series	
805-001 Plug with Banding Platform	805-002 Plug with Accessory Thread

Table II: Key Positions		
Key Position	Key Rotation	
	A	B
A (Normal)	150°	210°
B	75°	210°
C	95°	230°
D	140°	275°
E	75°	275°
F	95°	210°

Dimensions in Inches (millimeters) are subject to change without notice.

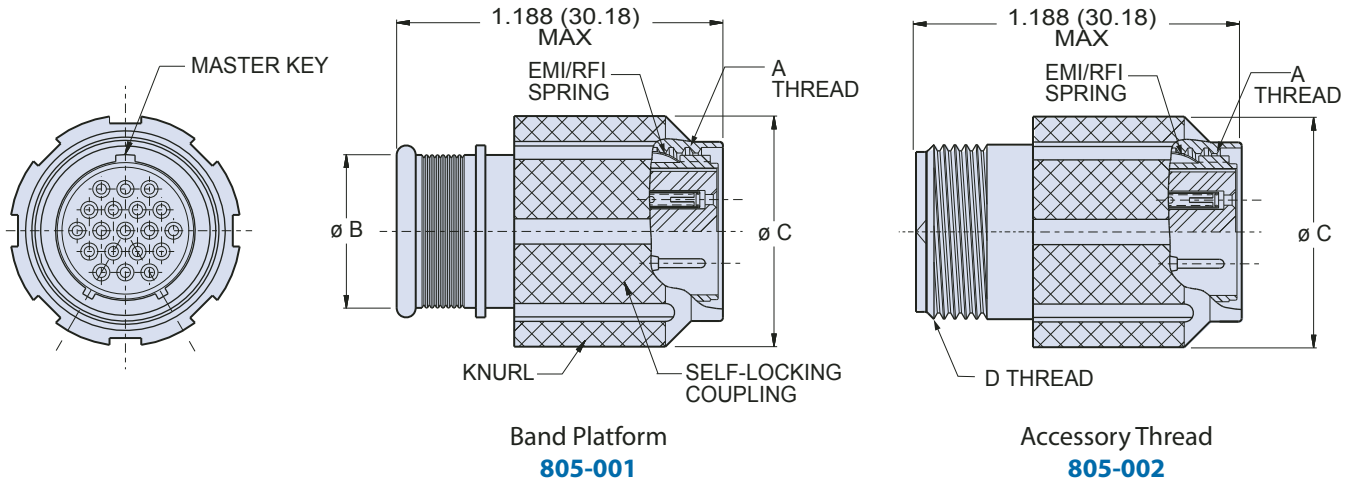
Series 805 Mighty Mouse Triple-Start ACME Thread Plug with Crimp Contacts

805-001 and 805-002 Dimensions



Series 805

Plug connector - Shell Style 16



Dimensions				
Shell Size	A Thread	Ø B	Ø C	D Thread Accessory
8	.5000-.1P-.3L-TS-2B	.317 (8.05)	.692 (17.58)	.3750-32 UNEF-2A
9	.5625-.1P-.3L-TS-2B	.397 (10.08)	.789 (20.04)	.4375-28 UNEF-2A
10	.6250-.1P-.3L-TS-2B	.473 (12.01)	.827 (21.01)	.5000-28 UNEF-2A
11	.6875-.1P-.3L-TS-2B	.519 (13.18)	.918 (23.32)	.5625-24 UNEF-2A
12	.7500-.1P-.3L-TS-2B	.585 (14.86)	.984 (24.99)	.6250-24 UNEF-2A
13	.8125-.1P-.3L-TS-2B	.646 (16.41)	1.047 (26.59)	.6875-24 UNEF-2A
15	.9375-.1P-.3L-TS-2B	.687 (17.45)	1.098 (27.89)	.7500-20 UNEF-2A
18	1.1250-.1P-.3L-TS-2B	.884 (22.45)	1.287 (32.69)	.9375-20 UNEF-2A
19	1.1875-.1P-.3L-TS-2B	.884 (22.45)	1.311 (33.30)	.9375-20 UNEF-2A
21	1.3125-.1P-.3L-TS-2B	1.003 (25.48)	1.448 (36.78)	1.0625-18 UNEF-2A
23	1.4375-.1P-.3L-TS-2B	1.135 (28.83)	1.562 (39.67)	1.1875-18 UNEF-2A

NOTES

1. This connector mates with all quick coupling high density plug connectors with same polarization and opposite contact gender 805-001, 805-002
2. For additional insert arrangements consult factory
3. Contacts are non removable and connector is back potted

Materials and Finishes

- Connector Shell: Aluminum or Stainless Steel
- Insulator: High-grade rigid dielectric
- Seals: Fluorosilicone Rubber, Blue
- Pin Contact: Copper Alloy, Gold over Nickel Plating
- Socket Contact: Copper Alloy, Gold over Nickel Plating, with SST Hood
- Contact Retainer Clip: Beryllium Copper, Unplated

Dimensions in Inches (millimeters) are subject to change without notice.



Series 805 Mighty Triple-Start ACME Thread Right Angle Plug with Integral Shell and Crimp Contacts

805-061 Ordering Information



Series 805 Mighty Mouse Cobra™ features integral ultra-low profile right angle shielded backshell reduces clearance requirements without compromising ruggedness, environmental protection or shielding performance. Removable rear cover allows easy access for soldering wires or inserting crimped wire contacts. Cover gasket prevents moisture intrusion. Master key may be clocked in 24 positions. Contacts are gold-plated copper alloy. Integral backshell allows for termination of cable shield to backshell with Band-Master strap and includes groove for lipped heat shrink boots. Crimp contacts are snap-in rear release — supplied separately. Available with size #23 contacts only.

How To Order							
Sample Part Number	805-061-16	Z1	8-6	P	A	1	05
Series and Shell Style	805-061-16 = Low Profile, Right Angle Plug with Integral Backshell						
Shell Material and Finish	M = Aluminum / Electroless Nickel; RoHS Compliant MT = Aluminum / Nickel-PTFE RoHS Compliant NF = Aluminum / Cadmium with Olive Drab Chromate ZNU = Aluminum / Zinc-Nickel with Black Chromate Z1 = Stainless Steel / Passivated; RoHS Compliant						
Shell Size - Insert Arrangement (See Note 10)	8-4, 8-6, 8-7, 9-10, 10-13, 11-19, 12-26, 13-31, 15-37, 18-55, 19-85, 21-100, 23-130						
Contact Type	A = Pin, Solder P = Pin, Crimp B = Socket, Solder S = Socket, Crimp						
Shell Key Positions (See Table I)	A = Normal B = Pos. B C = Pos. C D = Pos. D E = Pos. E F = Pos. F						
Cable Exit Direction (See Table II)	1 through 8						
Cable Entry Size (See Table III)	02, 03, 04, 05, 06, 07, 08, 09, 10, 11, 12, 13, 14, 15, 16, 17						

Table I: Key Positions

Pos.	A	B
A	150°	210°
B	75°	210°
C	95°	230°
D	140°	275°
E	75°	275°
F	95°	210°

Table II: Cable Exit Direction

Direction	C°	Direction	C°
1	0°	E	105
2	45°	F	120
3	90°	G	150
4	135°	H	165
5	180°	J	195
6	225°	K	210
7	270°	L	240
8	315°	M	255
A	15	N	285
B	30	P	300
C	60	R	330
D	75	S	345

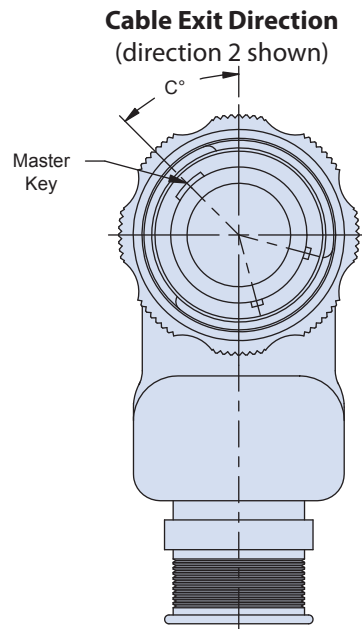


Table III: Cable Entry Size

Code	Entry Size	Code	Entry Size
02	.125 (3.18)	10	.625 (15.88)
03	.188 (4.78)	11	.688 (17.48)
04	.250 (6.35)	12	.750 (19.05)
05	.313 (7.95)	13	.813 (2.65)
06	.375 (9.52)	14	.875 (22.23)
07	.438 (11.13)	15	.938 (23.83)
08	.500 (12.70)	16	1.000 (25.40)
09	.563 (14.30)	17	1.063 (27.00)

Dimensions in Inches (millimeters) are subject to change without notice.

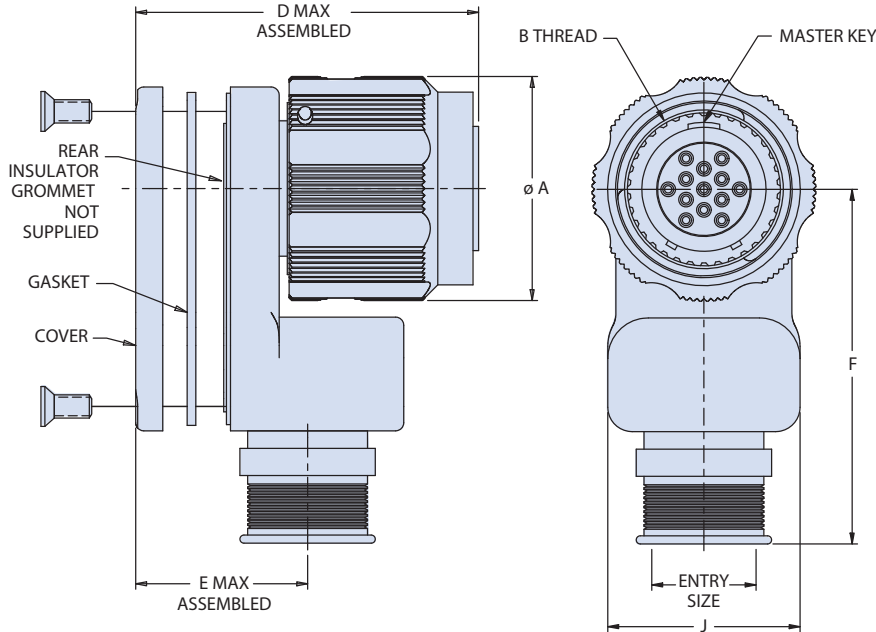
Series 805 Mighty Triple-Start ACME Thread Right Angle Plug with Integral Shell and Crimp Contacts

805-061 Dimensions



Series 805

Low profile Cobra™ right angle plug with integral backshell



NOTES

1. Contacts are size 23
2. Consult factory for additional contact arrangements and or shell orientations
3. Crimp barrel accommodate 22, 24, 26 and 28 gage wire
4. Crimp tool data:
5. Hand crimp tool: Glenair P/N 809-015
6. Positioner for hand tool: Genair P/N 809-005
7. Insertion/extraction tool: Glenair P/N 809-088
8. This connector mates with all quick coupling high density plug connectors with same polarization and opposite contact gender 805-001, 805-002
9. Rear insulator grommet not supplied
10. See Table IV for wire bend radius restrictions

Dimensions									
Shell Size	Ø A	B Thread	D	E	F	G	H	J	Max Entry
8	.65 (15.7)	.5000-.1P-.3L-TS-2B	1.02 (25.9)	.34 (8.6)	1.24 (31.5)	1.76 (44.7)	1.62 (41.1)	.560 (14.22)	04
9	.79 (20.1)	.5625-.1P-.3L-TS-2B	1.03 (26.2)	.39 (9.9)	1.28 (32.5)	1.77 (45.0)	1.63 (41.4)	.650 (16.51)	05
10	.83 (21.1)	.6250-.1P-.3L-TS-2B	1.05 (26.7)	.42 (10.7)	1.31 (33.3)	1.79 (45.5)	1.65 (41.9)	.710 (18.03)	06
11	.92 (23.4)	.6875-.1P-.3L-TS-2B	1.08 (27.4)	.45 (11.4)	1.34 (34.0)	1.82 (46.2)	1.68 (42.7)	.770 (19.56)	07
12	.98 (24.9)	.7500-.1P-.3L-TS-2B	1.11 (28.2)	.48 (12.2)	1.37 (34.8)	1.85 (47.0)	1.71 (43.4)	.835 (21.21)	08
13	1.05 (26.7)	.8125-.1P-.3L-TS-2B	1.14 (29.0)	.50 (12.7)	1.43 (36.3)	1.88 (47.8)	1.74 (44.2)	.900 (22.86)	09
15	1.10 (27.9)	.9375-.1P-.3L-TS-2B	1.17 (29.7)	.52 (13.2)	1.48 (37.6)	1.91 (48.5)	1.77 (45.0)	.950 (24.13)	10
18	1.29 (32.8)	1.1250-.1P-.3L-TS-2B	1.25 (31.8)	.58 (14.7)	1.64 (41.7)	1.99 (50.5)	1.85 (47.0)	1.070 (27.18)	12
19	1.31 (33.3)	1.1875-.1P-.3L-TS-2B	1.32 (33.5)	.63 (16.0)	1.78 (45.2)	2.06 (52.3)	1.92 (48.8)	1.180 (29.97)	13
21	1.45 (36.8)	1.3125-.1P-.3L-TS-2B	1.44 (36.6)	.70 (17.8)	1.89 (48.0)	2.18 (55.4)	2.04 (51.8)	1.300 (33.02)	15
23	1.56 (39.6)	1.4375-.1P-.3L-TS-2B	1.55 (39.4)	.76 (19.3)	1.98 (50.3)	2.30 (58.4)	2.16 (54.9)	1.410 (35.81)	17

Material and Finish

- Plug barrel, coupling nut, housing, cover: aluminum alloy or SST / see how to order table
- Insulator: LCP / N.A.
- Interfacial seal, gasket: fluorosilicone / N.A.
- Contact: copper alloy / gold plate per ASTM B 488, Type II, Code C, Class 1.25, over suitable underplate
- Contact retention clip: beryllium copper alloy / N.A.
- Hardware: stainless steel / passivate or black oxide
- Retaining wire: torlon / N.A.
- Detent spring, rivet: stainless steel / N.A.
- EMI ground spring: beryllium copper / electroless nickel



Dimensions in Inches (millimeters) are subject to change without notice.

Low profile Cobra™ right angle plug mating space requirements

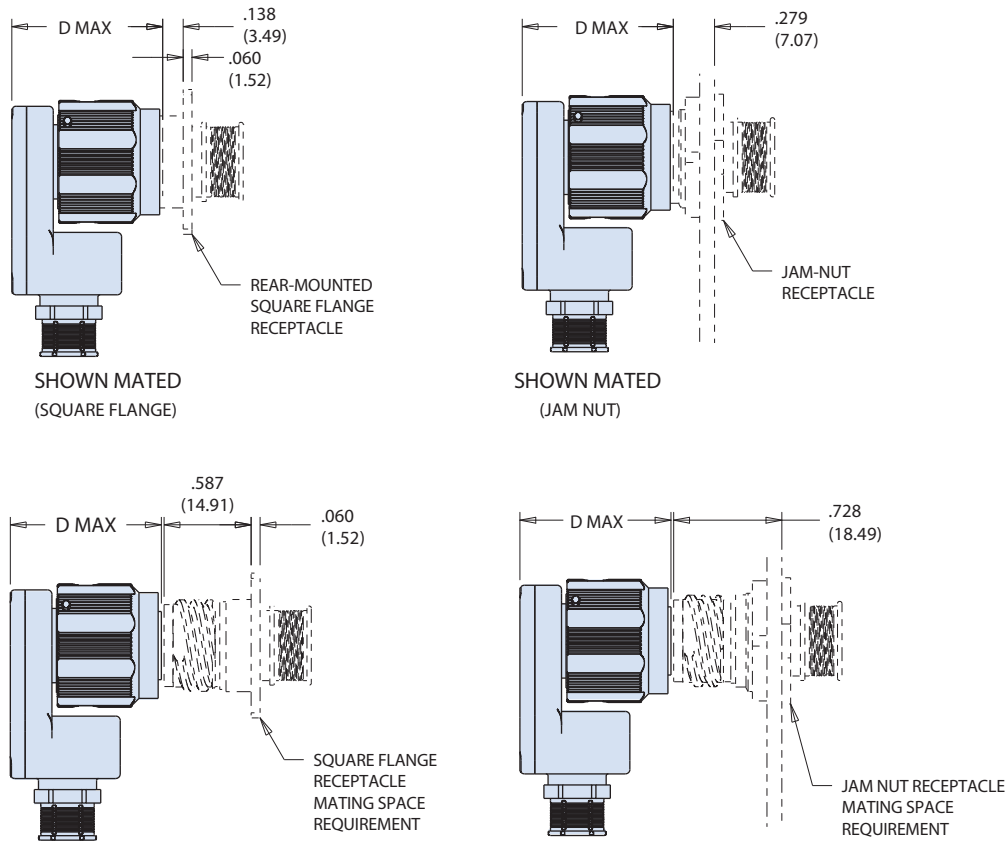


Table IV: Wire Bend Radius

Wire Size	Bend Radius
30 AWG	10x max
28 AWG	10x max
26 AWG	10x max
24 AWG	10x max
22 AWG	8x max
20 AWG	7x max
18 AWG	6x max
16 AWG	5x max
14 AWG	4x max
12 AWG	4x max

Dimensions in Inches (millimeters) are subject to change without notice.

Series 805 Mighty Triple-Start ACME Thread Receptacle with Banding Platform or Accessory Thread

805-003 and 805-004 Ordering Information



Series 805



Series 805 Receptacle feature three shell styles including rear panel mount jam-nut, front or rear panel mount square flange or in-line receptacle for free-hanging cables. Contacts are size 23 crimp type and gold-plated. Contacts are held in place with beryllium copper retention clips and are removable. Two Shell Styles available. Select connector with integral band platform for direct attachment of a cable shield. Platform includes boot groove for easy installation of boot. Select accessory thread for attaching backshells and strain relief.

How To Order						
Sample Part Number	805-004	-02	NF	9-10	P	A
Series (See Table I)	805-003 = Receptacle with Banding Platform 805-004 = Receptacle with Accessory Thread					
Shell Style (See Table II)	-01 = In-line -02 = Square Flange Front or Rear Mount -12 = Square Flange Rear Mount Non-Locking Clinch Nuts -22 = Square Flange Rear Mount Locking Clinch Nuts -07 = Jam-Nut for Rear Panel Mounting					
Shell Material and Finish	C = Aluminum / Black Anodize (Non-Conductive); RoHS Compliant M = Aluminum / Electroless Nickel; RoHS Compliant MT = Aluminum / Nickel-PTFE RoHS Compliant NF = Aluminum / Cadmium with Olive Drab Chromate ZNU = Aluminum / Zinc-Nickel with Black Chromate Z1 = Stainless Steel / Passivated; RoHS Compliant ZB = Stainless Steel / Olive Drab Chromate over Cadmium ZC = Stainless Steel / Zinc Cobalt Alloy/Black Chromate					
Shell Size - Insert Arrangement	See Contact Arrangements Page H-2					
Contact Type	With contacts P = Pin G = #23 Pin with 30 AWG Crimp Barrel S = Socket H = #23 Socket with 30 AWG Crimp Barrel		Without contacts A = Pin Connector, less contacts B = Socket Connector, less contacts			
Shell Key Positions (See Table III)	A = Normal		B = Pos. B	C = Pos. C	D = Pos. D	E = Pos. E F = Pos. F

Table I: Series	
805-003 Receptacle with Banding Platform	805-004 Receptacle with Accessory Thread

Table II: Shell Style		
-01 In-line Receptacle	-02, -12, -22 Square Flange	-07 Jam-Nut

Table III: Keyway Positions		
Pos.	A	B
A (Normal)	150°	210°
B	75°	210°
C	95°	230°
D	140°	275°
E	75°	275°
F	95°	210°

NOTES

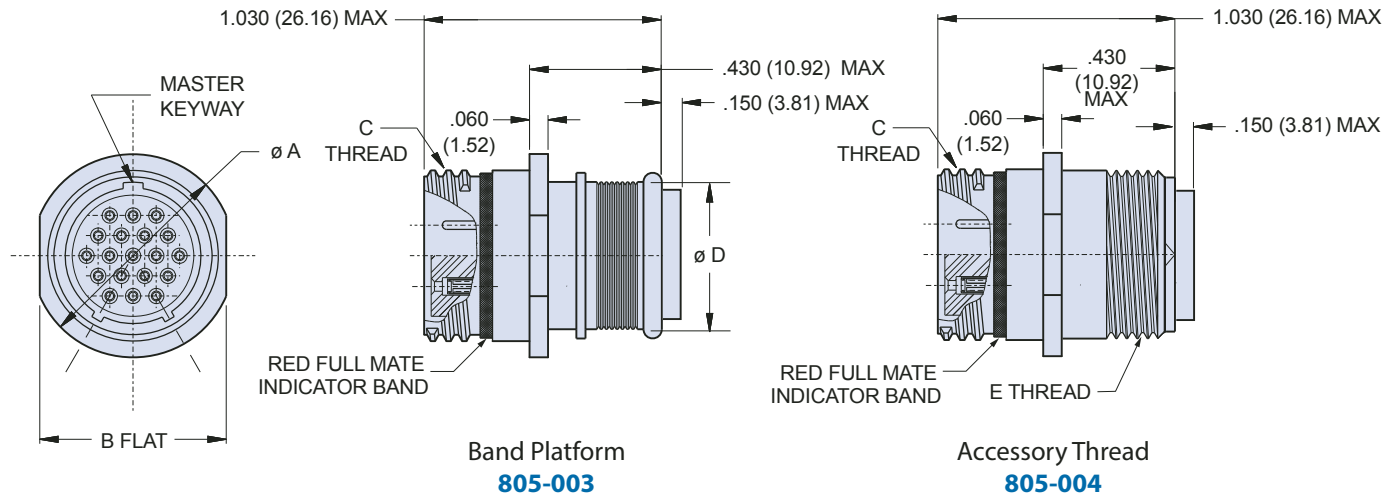
- Contacts are crimp type and used in rear release retention system
- This receptacle mates with all quick coupling high density plug connectors with same polarization and opposite contact gender
- Connectors supplied with standard crimp contacts. For coax or other special contacts, order connector less contacts (contact style A or B) and order contacts separately
- For all insert arrangements with size #8 contacts add .227" to overall length
- Grommet protrudes for power/combo/#8 arrangements
- Maximum panel thickness for 01, 02, 12, and 22 is .100 (2.54) max

Dimensions in Inches (millimeters) are subject to change without notice.

Series 805 Mighty Triple-Start ACME Thread Receptacle with Banding Platform or Accessory Thread

805-003 and 805-004 Shell Style -01 Dimensions

In-line cable receptacle - shell style 01



Band Platform
805-003

Accessory Thread
805-004

Dimensions					
Shell Size	Ø A	B Flat	C Thread	Ø D	E Accessory Thread
8	.540 (13.72)	.510 (12.95)	.5000-.1P-.3L-TS-2A	.316 (8.03)	.3750-32 UNEF-2A
9	.605 (15.37)	.575 (14.60)	.5625-.1P-.3L-TS-2A	.397 (10.08)	.4375-28 UNEF-2A
10	.668 (16.97)	.638 (16.21)	.6250-.1P-.3L-TS-2A	.472 (11.99)	.5000-28 UNEF-2A
11	.730 (18.54)	.700 (17.78)	.6875-.1P-.3L-TS-2A	.519 (13.18)	.5625-24 UNEF-2A
12	.793 (20.14)	.763 (19.38)	.7500-.1P-.3L-TS-2A	.585 (14.86)	.6250-24 UNEF-2A
13	.855 (21.72)	.825 (20.96)	.8125-.1P-.3L-TS-2A	.646 (16.41)	.6875-24 UNEF-2A
15	.980 (24.89)	.950 (24.13)	.9375-.1P-.3L-TS-2A	.687 (17.45)	.7500-20 UNEF-2A
18	1.165 (29.59)	1.135 (28.83)	1.1250-.1P-.3L-TS-2A	.884 (22.45)	.9375-20 UNEF-2A
19	1.235 (31.37)	1.205 (30.61)	1.1875-.1P-.3L-TS-2A	.884 (22.45)	.9375-20 UNEF-2A
21	1.360 (34.54)	1.330 (33.78)	1.3125-.1P-.3L-TS-2A	1.003 (25.48)	1.0625-18 UNEF-2A
23	1.485 (37.72)	1.455 (36.96)	1.4375-.1P-.3L-TS-2A	1.134 (28.80)	1.1875-18 UNEF-2A

Materials and Finishes

- Connector shell: aluminum or stainless steel / see how to order table
- Insulators: high-grade rigid dielectric / N.A
- Interfacial seal: fluorosilicone rubber, blue
- Contact: copper alloy, gold plate per ASTM B 488, Type II, Code C, Class 1.25 over a suitable underplate

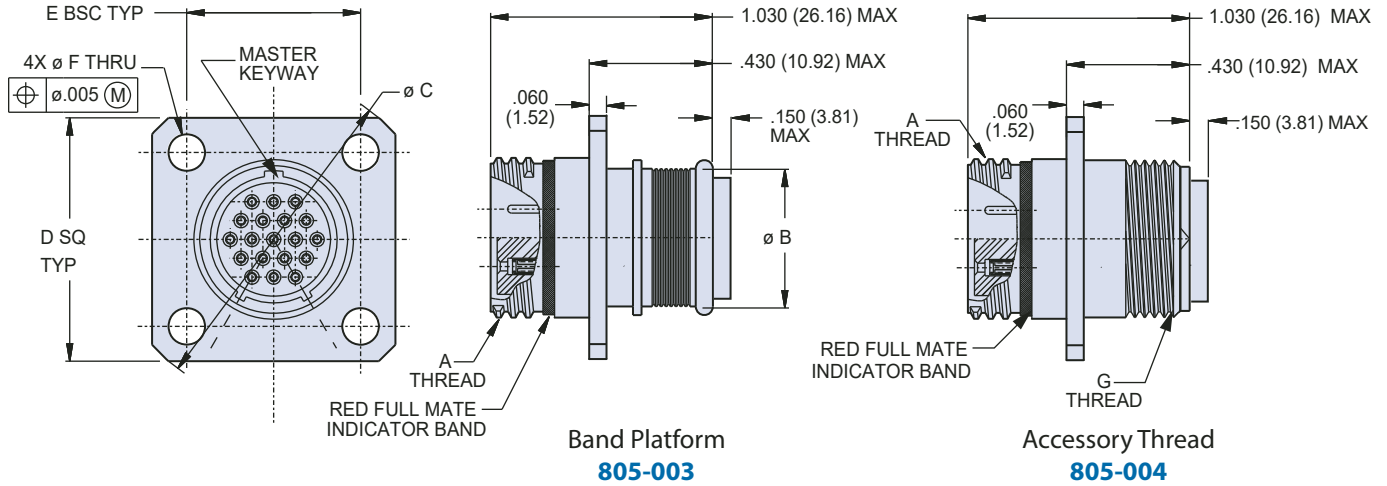
Dimensions in Inches (millimeters) are subject to change without notice.

Series 805 Mighty Triple-Start ACME Thread Receptacle with Banding Platform or Accessory Thread 805-003 and 805-004 Shell Style -02 Dimensions



Series 805

Square flange, front or rear panel mount receptacle - shell style 02



Dimensions							
Shell Size	A Thread	Ø B	Ø C	D Sq Typ	E Bsc	Ø F ± .003 (.08)	G Thread
8	.5000-1P-.3L-TS-2A	.316 (8.03)	1.150 (29.21)	.850 (21.59)	.660 (16.76)	.096 (2.44) .091 (2.31)	.3750-32 UNEF-2A
9	.5625-1P-.3L-TS-2A	.397 (10.08)	1.230 (31.24)	.913 (23.19)	.723 (18.36)		.4375-28 UNEF-2A
10	.6250-1P-.3L-TS-2A	.472 (11.99)	1.330 (33.78)	.975 (24.76)	.785 (19.94)		.5000-28 UNEF-2A
11	.6875-1P-.3L-TS-2A	.519 (13.18)	1.410 (35.81)	1.039 (26.39)	.848 (21.54)		.5625-24 UNEF-2A
12	.7500-1P-.3L-TS-2A	.585 (14.86)	1.500 (38.10)	1.099 (27.91)	.909 (23.09)		.6250-24 UNEF-2A
13	.8125-1P-.3L-TS-2A	.646 (16.41)	1.590 (40.39)	1.163 (29.54)	.973 (24.71)		.6875-24 UNEF-2A
15	.9375-1P-.3L-TS-2A	.687 (17.45)	1.750 (44.45)	1.288 (32.72)	1.058 (26.87)		.7500-20 UNEF-2A
18	1.1250-1P-.3L-TS-2A	.884 (22.45)	2.000 (50.80)	1.475 (37.47)	1.255 (31.88)		.9375-20 UNEF-2A
19	1.1875-1P-.3L-TS-2A	.884 (22.45)	2.094 (53.19)	1.537 (39.04)	1.327 (33.71)		.9375-20 UNEF-2A
21	1.3125-1P-.3L-TS-2A	1.003 (25.48)	2.270 (57.66)	1.663 (42.24)	1.452 (36.88)		1.0625-18 UNEF-2A
23	1.4375-1P-.3L-TS-2A	1.134 (28.80)	2.440 (61.98)	1.787 (45.39)	1.570 (39.88)	1.1875-18 UNEF-2A	

Square Flange, Rear Panel Mount Cutout Dimensions				
Shell Size	P Bsc	Ø R	Ø S	
8	.660 (16.76)	.515 (13.08)	.096 (2.44) .091 (2.31)	
9	.723 (18.36)	.578 (14.68)		
10	.785 (19.94)	.640 (16.26)		
11	.848 (21.54)	.703 (17.86)		
12	.909 (23.09)	.765 (19.43)		
13	.973 (24.71)	.828 (21.03)		
15	1.058 (26.87)	.953 (24.21)		.130 (3.30) .126 (3.20)
18	1.255 (31.88)	1.140 (28.96)		
19	1.327 (33.71)	1.203 (30.56)		
21	1.452 (36.88)	1.328 (33.73)		
23	1.570 (39.88)	1.453 (36.91)		

Materials and Finishes

- Connector shell: aluminum or stainless steel / see how to order table
- Insulators: high-grade rigid dielectric / N.A
- Interfacial seal: fluorosilicone rubber, blue
- Contact: copper alloy, gold plate per ASTM B 488, Type II, Code C, Class 1.25 over a suitable underplate

Dimensions in Inches (millimeters) are subject to change without notice.

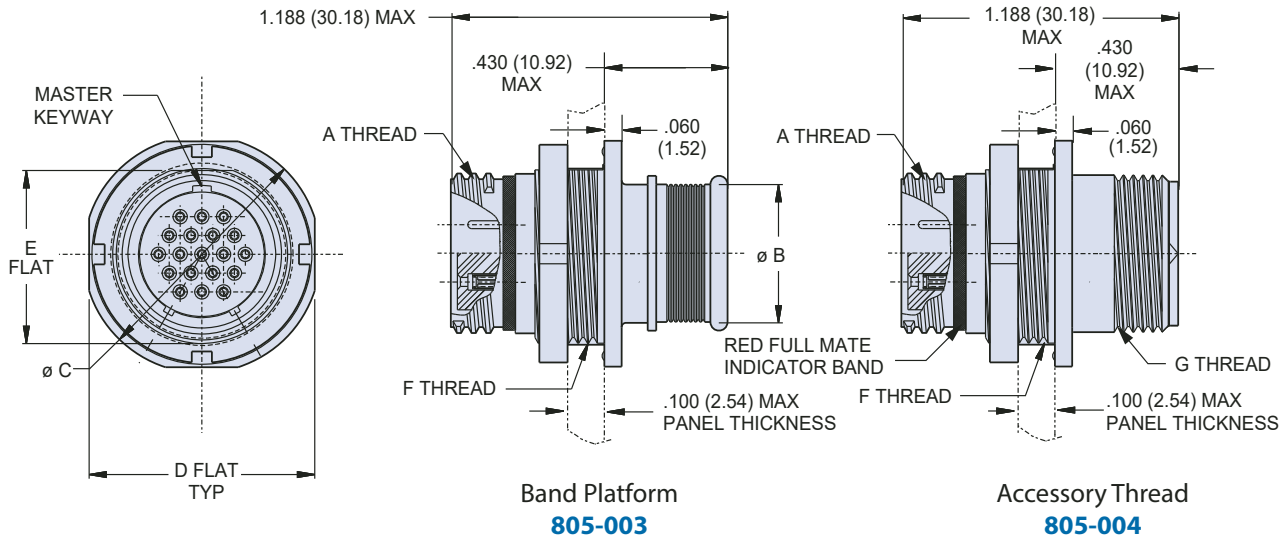




Series 805 Mighty Triple-Start ACME Thread Receptacle with Banding Platform or Accessory Thread

805-003 and 805-004 Shell Style -07 Dimensions

Jam-nut, rear panel mount receptacle - shell style 07



Band Platform
805-003

Accessory Thread
805-004

Shell Size	Dimensions						
	A Thread .1P-.3L-TS-2A	Ø B	Ø C	D Flat	E Flat	F Threads	G Accessory Thread
8	.5000	.316 (8.03)	.760 (19.30)	.730 (18.54)	.535 (13.59)	.5625-28 UNEF-2A	.3750-32 UNEF-2A
9	.5625	.397 (10.08)	.880 (22.35)	.850 (21.59)	.661 (16.79)	.6875-28 UN-2A	.4375-28 UNEF-2A
10	.6250	.472 (11.99)	.880 (22.35)	.850 (21.59)	.661 (16.79)	.6875-28 UN-2A	.5000-28 UNEF-2A
11	.6875	.519 (13.18)	.955 (24.26)	.925 (23.50)	.721 (18.31)	.7500-28 UN-2A	.5625-24 UNEF-2A
12	.7500	.585 (14.86)	1.060 (26.92)	1.035 (26.29)	.784 (19.91)	.8125-28 UN-2A	.6250-24 UNEF-2A
13	.8125	.646 (16.41)	1.120 (28.45)	1.090 (27.69)	.843 (21.41)	.8750-28 UN-2A	.6875-24 UNEF-2A
15	.9375	.687 (17.45)	1.203 (30.56)	1.173 (29.79)	.970 (24.64)	1.0000-28 UN-2A	.7500-20 UNEF-2A
18	1.1250	.884 (22.45)	1.389 (35.28)	1.359 (34.52)	1.147 (29.13)	1.1875-28 UN-2A	.9375-20 UNEF-2A
19	1.1875	.884 (22.45)	1.450 (36.83)	1.420 (36.07)	1.221 (31.01)	1.2500-28 UN-2A	.9375-20 UNEF-2A
21	1.3125	1.003 (25.48)	1.590 (40.39)	1.560 (39.62)	1.350 (34.29)	1.3750-28 UN-2A	1.0625-18 UNEF-2A
23	1.4375	1.134 (28.80)	1.705 (43.31)	1.675 (42.55)	1.470 (37.34)	1.5000-28 UN-2A	1.1875-18 UNEF-2A

Jam-Nut, Rear Panel Mount Cutout Dimensions		
Shell Size	N Flat	Ø P
8	.545 (13.84)	.572 (14.53)
	.541 (13.74)	.567 (14.40)
9	.671 (17.04)	.698 (17.73)
	.667 (16.94)	.693 (17.60)
10	.671 (17.04)	.698 (17.73)
	.667 (16.94)	.693 (17.60)
11	.731 (18.57)	.760 (19.30)
	.727 (18.47)	.755 (19.18)
12	.794 (20.17)	.822 (20.88)
	.790 (20.07)	.817 (20.75)
13	.851 (21.62)	.885 (22.48)
	.847 (21.51)	.881 (22.38)
15	.980 (24.89)	1.010 (25.65)
	.976 (24.79)	1.005 (25.53)
18	1.157 (29.39)	1.198 (30.43)
	1.153 (29.29)	1.193 (30.30)
19	1.231 (31.27)	1.260 (32.00)
	1.227 (31.17)	1.255 (31.88)
21	1.358 (34.49)	1.383 (35.13)
	1.354 (34.39)	1.381 (35.08)
23	1.480 (37.59)	1.510 (38.35)
	1.476 (37.49)	1.505 (38.23)

Materials and Finishes

- Connector shell: aluminum or stainless steel / see how to order table
- Insulators: high-grade rigid dielectric / N.A
- Interfacial seal: fluorosilicone rubber, blue
- Contact: copper alloy, gold plate per ASTM B 488, Type II, Code C, Class 1.25 over a suitable underplate

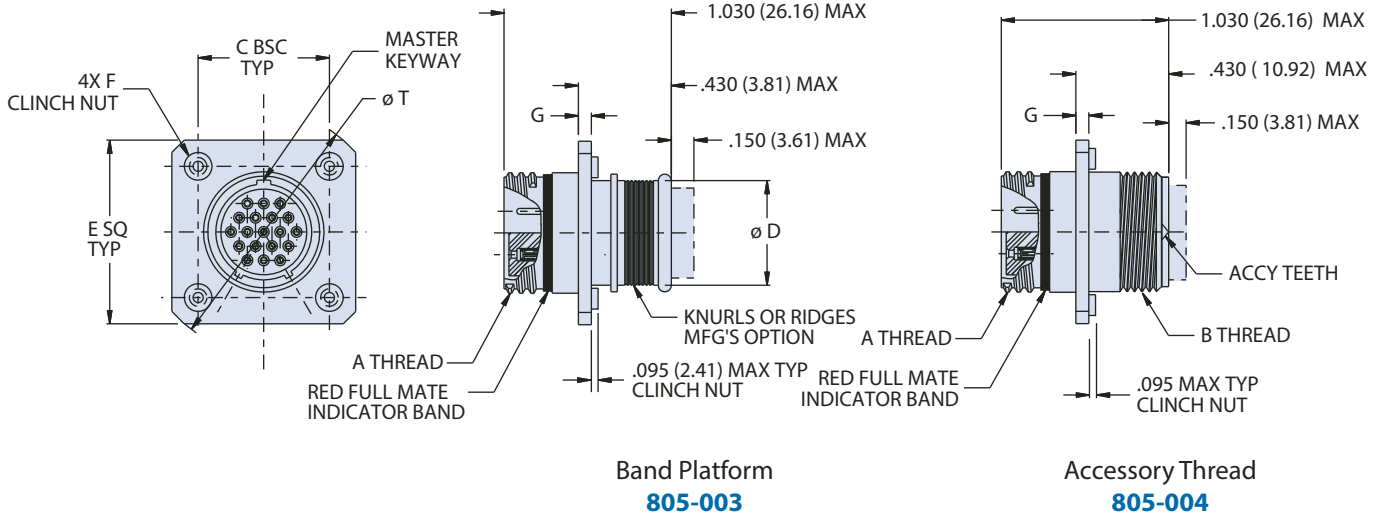
Dimensions in Inches (millimeters) are subject to change without notice.

Series 805 Mighty Triple-Start ACME Thread Receptacle with Banding Platform or Accessory Thread 805-003 and 805-004 Shell Style -12 and -22 Dimensions



Series 805

Square flange, rear panel mount receptacle with clinch nuts - shell style 12/22



Dimensions										
Shell Size	A Thread	B Thread	C BSC	Ø D	E SQ	Ø T	F Clinch Nuts	G		
8	.5000-1P-3L-TS-2A	.3750-32 UNEF-2A	.660 (16.76)	1.194 (30.33)	.920 (23.37)	1.194 (30.33)	2-56	.030 (0.76)		
9	.5625-1P-3L-TS-2A	.4375-28 UNEF-2A	.723 (18.36)	1.283 (32.59)	.983 (24.97)	1.283 (32.59)				
10	.6250-1P-3L-TS-2A	.5000-28 UNEF-2A	.785 (19.94)	1.371 (34.82)	1.045 (26.54)	1.371 (34.82)				
11	.6875-1P-3L-TS-2A	.5625-24 UNEF-2A	.848 (21.54)	1.460 (37.08)	1.104 (28.04)	1.460 (37.08)				
12	.7500-1P-3L-TS-2A	.6250-24 UNEF-2A	.909 (23.09)	1.546 (39.27)	1.169 (29.69)	1.546 (39.27)				
13	.8125-1P-3L-TS-2A	.6875-24 UNEF-2A	.973 (24.71)	1.637 (41.58)	1.233 (31.32)	1.637 (41.58)				
15	.9375-1P-3L-TS-2A	.7500-20 UNEF-2A	1.058 (26.87)	1.817 (46.15)	1.378 (35.00)	1.817 (46.15)				
18	1.1250-1P-3L-TS-2A	.9375-20 UNEF-2A	1.255 (31.88)	2.096 (53.24)	1.575 (40.00)	2.096 (53.24)				
19	1.1875-1P-3L-TS-2A	.9375-20 UNEF-2A	1.327 (33.71)	2.197 (55.80)	1.647 (41.83)	2.197 (55.80)				
21	1.3125-1P-3L-TS-2A	1.0625-18 UNEF-2A	1.452 (36.88)	2.380 (60.45)	1.772 (45.01)	2.380 (60.45)				
23	1.4375-1P-3L-TS-2A	1.1875-18 UNEF-2A	1.570 (39.88)	2.541 (64.54)	1.890 (48.01)	2.541 (64.54)			4-40	.060

Square Flange, Rear Panel Mount Cutout Dimensions			
Shell Size	P Bsc	Ø R	Ø S
8	.660 (16.76)	.515 (13.08)	.096 (2.44) .091 (2.31)
9	.723 (18.36)	.578 (14.68)	
10	.785 (19.94)	.640 (16.26)	
11	.848 (21.54)	.703 (17.86)	
12	.909 (23.09)	.765 (19.43)	
13	.973 (24.71)	.828 (21.03)	
15	1.058 (26.87)	.953 (24.21)	
18	1.255 (31.88)	1.140 (28.96)	
19	1.327 (33.71)	1.203 (30.56)	
21	1.452 (36.88)	1.328 (33.73)	
23	1.570 (39.88)	1.453 (36.91)	

Materials and Finishes

- Connector shell: aluminum or stainless steel / see how to order table
- Insulators: high-grade rigid dielectric / N.A
- Interfacial seal: fluorosilicone rubber, blue
- Contact: copper alloy, gold plate per ASTM B 488, Type II, Code C, Class 1.25 over a suitable underplate

Dimensions in Inches (millimeters) are subject to change without notice.

© 2014 Glenair, Inc. Series 80 Mighty Mouse U.S. CAGE Code 06324 Printed in U.S.A.

GLENAIR, INC. • 1211 AIR WAY • GLENDALE, CA 91201-2497 • 818-247-6000 • FAX 818-500-9912
www.glenair.com H-19 E-Mail: sales@glenair.com

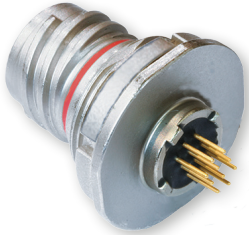
Rev. 06.04.19





Series 805 Mighty Mouse Triple-Start ACME Thread PC Tail or Solder Cup Receptacle

805-005 and 805-017 Ordering Information



Environmental, PCB Receptacle 800-012 connectors feature low profile shells for minimum protrusion inside enclosures and integral board standoffs. Contacts are non-removable. Specify **800-012** connectors for applications where open face water immersion is not a requirement.

Water Tight PCB Receptacle 800-040 connectors are identical to 800-012 but are specially sealed ("MOD-518") and 100% tested to maintain a helium leak rate of less than 1×10^{-4} cc/second at one atmosphere pressure differential. Connectors meet MIL-STD-810 Method 512G immersion requirements in unmated/open face condition.

How To Order

Sample Part Number	805-017	-07	M	10-13	P	B
Series	805-005 = Receptacle with Standard Epoxy Potting 805-017 = Receptacle with Special "MOD-518" Sealing For Open Face (unmated) Water Immersion Requirements. 100% Leak Tested.					
Shell Style (See Table I)	-02 = Square Flange, Front or Rear Panel Mount -12 = Square Flange, Rear Panel Mount with Non-Locking Clinch Nuts -22 = Square Flange, Rear Panel Mount with Locking Clinch Nuts -07 = Jam-Nut, Rear Panel Mount					
Shell Material and Finish	C = Aluminum / Black Anodize (Non-Conductive); RoHS Compliant M = Aluminum / Electroless Nickel; RoHS Compliant MT = Aluminum / Nickel-PTFE RoHS Compliant NF = Aluminum / Cadmium with Olive Drab Chromate ZNU = Aluminum / Zinc-Nickel with Black Chromate Z1 = Stainless Steel / Passivated; RoHS Compliant ZB = Stainless Steel / Olive Drab Chromate over Cadmium ZC = Stainless Steel / Zinc Cobalt Alloy/Black Chromate					
Shell Size - Insert Arrangement	See Contact Arrangements Page H-2					
Contact Type	P = Pin, PC Tail S = Socket, PC Tail E = Pin, Solder Cup F = Socket, Solder Cup					
Polarization (See Table II)	A = Normal B = Pos. B C = Pos. C D = Pos. D E = Pos. E F = Pos. F					

Table I: Shell Style

-02, -12, -22 Square Flange	-07 Jam-Nut

Table II: Keyway Positions

Pos.	A	B
A (Normal)	150°	210°
B	75°	210°
C	95°	230°
D	140°	275°
E	75°	275°
F	95°	210°

NOTES

1. Contacts are non removable and connector is back potted
2. For additional insert arrangements consult factory
3. This receptacle mates with all quick coupling high density plug connectors with same polarization and opposite contact gender
4. For all insert arrangements with size #8 contacts add .327 (8.31) to overall length

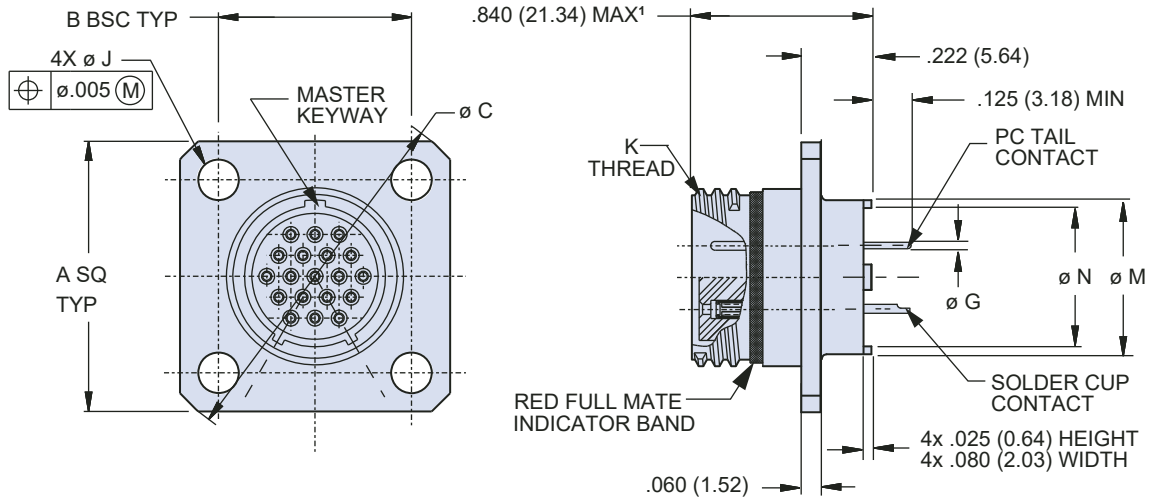
Dimensions in Inches (millimeters) are subject to change without notice.

Series 805 Mighty Mouse Triple-Start ACME Thread PC Tail or Solder Cup Receptacle 805-005 and 805-017 Shell Style -02 Dimensions



Series 805

Square flange, front or rear panel mount receptacle - shell style 02



Dimensions								
Shell Size	A SQ Typ	B Bsc Typ	Ø C	Ø J ± .003 (0.08)	K Thread	Ø M	Ø N	Ø G Tail Dia.
8	.850 (21.59)	.660 (16.76)	1.150 (29.21)	.094 (2.39)	.5000-.1P-.3L-TS	.330 (8.38)	.236 (5.99)	#23 .018/.022 (0.46/0.56)
9	.913 (23.19)	.723 (18.36)	1.230 (31.24)	.094 (2.39)	.5625-.1P-.3L-TS	.432 (10.97)	.322 (8.18)	
10	.975 (24.76)	.785 (19.94)	1.330 (33.78)	.094 (2.39)	.6250-.1P-.3L-TS	.493 (12.52)	.386 (9.80)	
11	1.039 (26.39)	.848 (21.54)	1.410 (35.81)	.094 (2.39)	.6875-.1P-.3L-TS	.551 (14.00)	.442 (11.23)	#20 .024/.028 (0.61/0.71)
12	1.099 (27.91)	.909 (23.09)	1.500 (38.10)	.094 (2.39)	.7500-.1P-.3L-TS	.620 (15.75)	.513 (13.03)	
13	1.163 (29.54)	.973 (24.71)	1.590 (40.39)	.094 (2.39)	.8125-.1P-.3L-TS	.661 (16.79)	.554 (14.07)	#16 .060/.064 (1.52/1.63)
15	1.288 (32.72)	1.058 (26.87)	1.750 (44.45)	.128 (3.25)	.9375-.1P-.3L-TS	.703 (17.86)	.594 (15.09)	
18	1.475 (37.47)	1.255 (31.88)	2.000 (50.80)	.128 (3.25)	1.1250-.1P-.3L-TS	.863 (21.92)	.755 (19.18)	
19	1.537 (39.04)	1.327 (33.71)	2.094 (53.19)	.128 (3.25)	1.1875-.1P-.3L-TS	.912 (23.16)	.805 (20.45)	#12 .092/.096 (2.34/2.44)
21	1.663 (42.24)	1.452 (36.88)	2.270 (57.66)	.128 (3.25)	1.3125-.1P-.3L-TS	1.017 (25.83)	.910 (23.11)	
23	1.787 (45.39)	1.570 (39.88)	2.440 (61.98)	.128 (3.25)	1.4375-.1P-.3L-TS	1.162 (29.51)	1.055 (26.80)	

Square Flange, Rear Panel Mount Cutout Dimensions			
Shell Size	H BSC	J Holes	Ø P
8	.660 (16.76)	.096 (2.43)	.515 (13.08)
9	.723 (18.36)		.578 (14.68)
10	.785 (19.94)		.640 (16.26)
11	.848 (21.54)	.091 (2.31)	.703 (17.86)
12	.909 (23.09)		.765 (19.43)
13	.973 (24.71)	.130 (0.13) .126 (3.20)	.828 (21.03)
15	1.058 (26.87)		0.953 (24.21)
18	1.255 (31.88)		1.140 (28.96)
19	1.327 (33.71)		1.203 (30.56)
21	1.452 (36.88)		1.328 (33.73)
23	1.570 (39.88)		1.453 (36.91)

Materials and Finishes

- Shell aluminum or stainless steel / see how to order table
- Insulators: high-grade rigid dielectric / N.A
- Interfacial seal, O-ring: fluorosilicone
- Potting compound: epoxy
- Contact: copper alloy, gold plate per ASTM B 488, Type II, Code C, Class 1.25 over a suitable underplate

Dimensions in Inches (millimeters) are subject to change without notice.

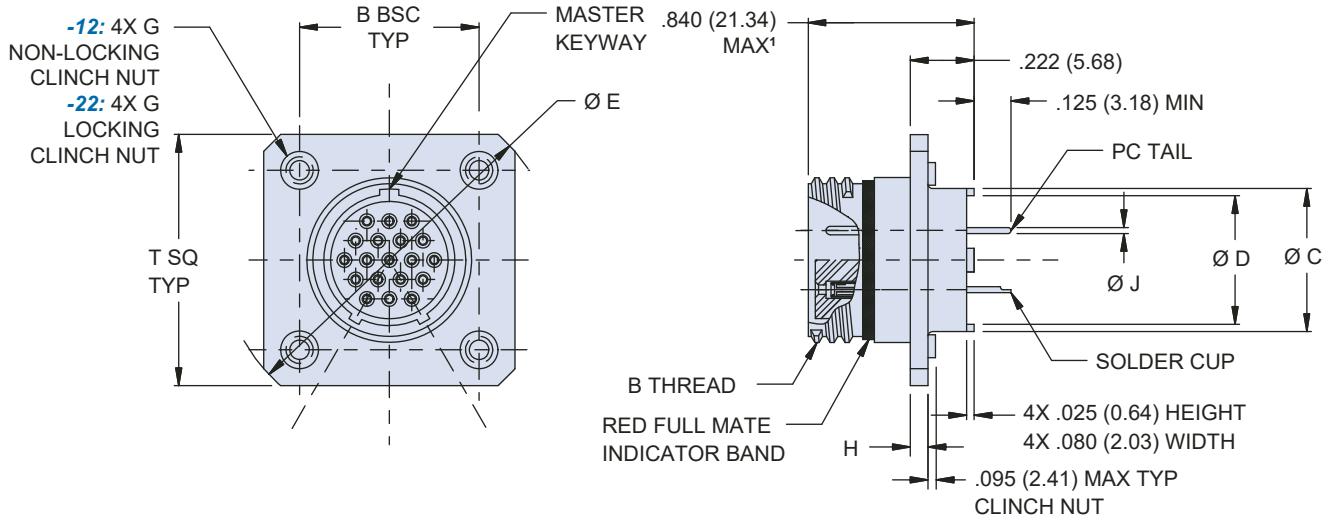




Series 805 Mighty Mouse Triple-Start ACME Thread PC Tail or Solder Cup Receptacle

805-005 and 805-017 Shell Styles -12 and -22 Dimensions

Square flange, front or rear panel mount receptacle - shell style 12 and 22



Dimensions									
Shell Size	B BSC Typ	B Thread	Ø C	Ø D	Ø E	T SQ Typ	G	H	Ø J Tail Dia.
8	.660 (16.76)	.5000-1P-.3L-TS	0.330 (8.38)	0.236 (5.99)	1.194 (30.33)	0.920 (23.37)	2-56	0.030 (.76)	#23 .018/.022 (0.46/0.56)
9	.723 (18.36)	.5625-1P-.3L-TS	0.432 (10.97)	0.322 (8.18)	1.283 (32.59)	0.983 (24.97)			
10	.785 (19.94)	.6250-1P-.3L-TS	0.493 (12.52)	0.386 (9.80)	1.371 (34.82)	1.045 (26.54)			
11	.848 (21.54)	.6875-1P-.3L-TS	0.551 (14.00)	0.442 (11.23)	1.460 (37.08)	1.104 (28.04)			
12	.909 (23.09)	.7500-1P-.3L-TS	0.620 (15.75)	0.513 (13.03)	1.546 (39.27)	1.169 (29.69)			
13	.973 (24.71)	.8125-1P-.3L-TS	0.661 (16.79)	0.554 (14.07)	1.637 (41.58)	1.233 (31.32)			
15	1.058 (26.87)	.9375-1P-.3L-TS	0.705 (17.91)	0.594 (15.09)	1.817 (46.15)	1.378 (35.00)	4-40	0.060 (1.52)	#16 .060/.064 (1.52/1.63)
18	1.255 (31.88)	1.1250-1P-.3L-TS	0.863 (21.92)	0.755 (19.18)	2.096 (53.24)	1.575 (40.00)			
19	1.327 (33.71)	1.1875-1P-.3L-TS	0.912 (23.16)	0.805 (20.45)	2.197 (55.80)	1.647 (41.83)			
21	1.452 (36.88)	1.3125-1P-.3L-TS	1.017 (25.83)	0.910 (23.11)	2.380 (60.45)	1.772 (45.01)			
23	1.570 (39.88)	1.4375-1P-.3L-TS	1.162 (29.51)	1.055 (26.80)	2.541 (64.54)	1.890 (48.01)			

Square Flange, Rear Panel Mount Cutout Dimensions			
Shell Size	H BSC	J Holes	Ø P
8	.660 (16.76)	.096 (2.43)	.515 (13.08)
9	.723 (18.36)		.578 (14.68)
10	.785 (19.94)		.640 (16.26)
11	.848 (21.54)	.091 (2.31)	.703 (17.86)
12	.909 (23.09)		.765 (19.43)
13	.973 (24.71)		.828 (21.03)
15	1.058 (26.87)	.130 (.13)	.953 (24.21)
18	1.255 (31.88)		1.140 (28.96)
19	1.327 (33.71)		1.203 (30.56)
21	1.452 (36.88)	.126 (3.20)	1.328 (33.73)
23	1.570 (39.88)		1.453 (36.91)

Materials and Finishes

- Shell: aluminum or stainless steel / see how to order table
- Insulators: high-grade rigid dielectric / N.A
- Interfacial seal, O-ring: fluorosilicone rubber, blue
- Contact: copper alloy, gold plate per ASTM B 488, Type II, Code C, Class 1.25 over a suitable underplate
- Potting compound: epoxy

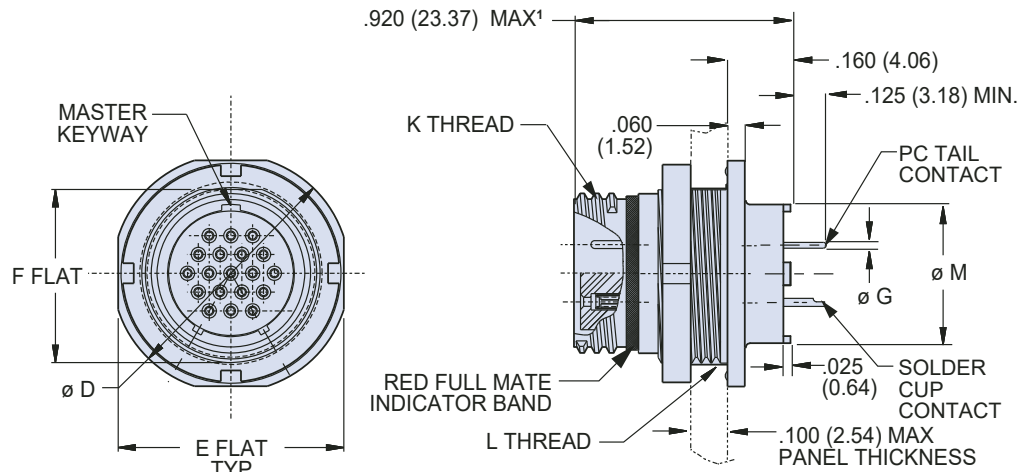
Dimensions in Inches (millimeters) are subject to change without notice.

Series 805 Mighty Mouse Triple-Start ACME Thread PC Tail or Solder Cup Receptacle 805-005 and 805-017 Shell Style -07 Dimensions



Series 805

Jam-nut, rear panel mount receptacle - shell style 07



Dimensions							
Shell Size	Ø D	E Flat	F Flat	K Thread	L Thread	Ø M	Ø G Tail Dia.
8	.760 (19.30)	.730 (18.54)	.535 (13.59)	.5000-1P-.3L-TS	.5625-28 UNEF-2A	.330 (8.38)	#23 .018/.022 (0.46/0.56)
9	.880 (22.35)	.850 (21.59)	.661 (16.79)	.5625-1P-.3L-TS	.6875-28 UN-2A	.432 (10.97)	
10	.880 (22.35)	.850 (21.59)	.661 (16.79)	.6250-1P-.3L-TS	.6875-28 UN-2A	.493 (12.52)	
11	.955 (24.26)	.925 (23.50)	.721 (18.31)	.6875-1P-.3L-TS	.7500-28 UN-2A	.551 (14.00)	
12	1.060 (26.92)	1.035 (26.29)	.784 (19.91)	.7500-1P-.3L-TS	.8125-28 UN-2A	.620 (15.75)	
13	1.120 (28.45)	1.090 (27.69)	.841 (21.36)	.8125-1P-.3L-TS	.8750-28 UN-2A	.661 (16.79)	
15	1.203 (30.56)	1.173 (29.79)	.970 (24.64)	.9375-1P-.3L-TS	1.0000-28 UN-2A	.705 (17.91)	
18	1.389 (35.28)	1.359 (34.52)	1.147 (29.13)	1.1250-1P-.3L-TS	1.1875-28 UN-2A	.863 (21.92)	
19	1.450 (36.83)	1.420 (36.07)	1.221 (31.01)	1.1875-1P-.3L-TS	1.2500-28 UN-2A	.912 (23.16)	
21	1.580 (40.13)	1.550 (39.37)	1.348 (34.24)	1.3125-1P-.3L-TS	1.3750-28 UN-2A	1.017 (25.83)	
23	1.705 (43.31)	1.675 (42.55)	1.470 (37.34)	1.4375-1P-.3L-TS	1.500-28 UN-2A	1.162 (29.51)	

Jam-Nut, Rear Panel Mount Cutout Dimensions		
Shell Size	N Flat	Ø P
8	.545 (13.84) .541 (13.74)	.572 (14.53) .567 (14.40)
9	.671 (17.04) .667 (16.94)	.698 (17.73) .693 (17.60)
10	.671 (17.04) .667 (16.94)	.698 (17.73) .693 (17.60)
11	.731 (18.57) .727 (18.47)	.760 (19.30) .755 (19.18)
12	.794 (20.17) .790 (20.07)	.822 (20.88) .817 (20.75)
13	.851 (21.62) .847 (21.51)	.885 (22.48) .881 (22.38)
15	.980 (24.89) .976 (24.79)	1.010 (25.65) 1.005 (25.53)
18	1.157 (29.39) 1.153 (29.29)	1.198 (30.43) 1.193 (30.30)
19	1.231 (31.27) 1.227 (31.17)	1.260 (32.00) 1.255 (31.88)
21	1.358 (34.49) 1.354 (34.39)	1.383 (35.13) 1.381 (35.08)
23	1.480 (37.59) 1.476 (37.49)	1.510 (38.35) 1.505 (38.23)

Materials and Finishes

- Shell, jam-nut: aluminum or stainless steel / see how to order table
- Insulators: high-grade rigid dielectric / N.A
- Interfacial seal, O-ring: fluorosilicone rubber, blue
- Contact: copper alloy, gold plate per ASTM B 488, Type II, Code C, Class 1.25 over a suitable underplate
- Potting compound: epoxy

Dimensions in Inches (millimeters) are subject to change without notice.



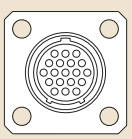
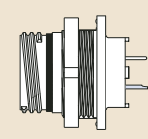
Series 805 Mighty Mouse Triple-Start ACME Thread Panel Mount Receptacle with #12 Twinax PCB Contacts

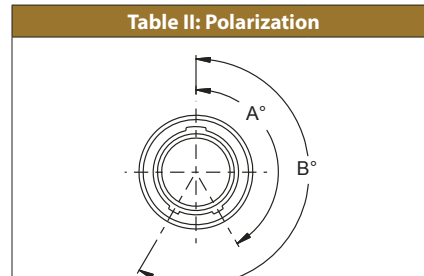
805-129 Ordering Information

Twin-Ax PC Tail, Panel Mount Receptacles feature mission critical performance in a small, lightweight package. Shell styles include front and rear panel mount square flange and jam-nut. 6 shell sizes available in 17 insert arrangements including 8 size #12 twinax arrangements. Nine combo

arrangements with size #12 and #23 contacts. Connectors are environmentally sealed, back potted and paralyene compatible. Contacts are non-removable.

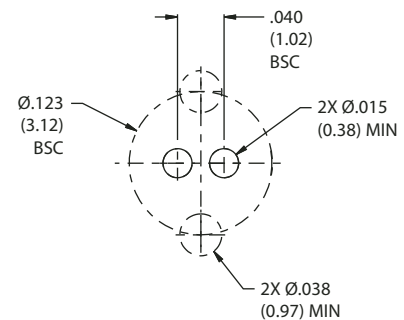
How To Order	
Sample Part Number	805-129 -07 M 9-1 P A
Series	805-129 = TwinAx PCB Receptacle
Shell Style (See Table I)	-02 = Square Flange, Front or Rear Panel Mount -12 = Square Flange, Rear Panel Mount Non-Locking Clinch Nuts -22 = Square Flange, Rear Panel Mount Locking Clinch Nuts -07 = Jam-Nut, Rear Panel Mount
Material and Finish	C = Aluminum / Black Anodize (Non-Conductive) RoHS Compliant M = Aluminum / Electroless Nickel RoHS Compliant MT = Aluminum / Nickel-PTFE RoHS Compliant NF = Aluminum / Cadmium with Olive Drab Chromate ZNU = Aluminum / Zinc-Nickel with Black Chromate Z1 = Stainless Steel / Passivated RoHS Compliant
Shell Size - Insert Arrangement	Size 12 Arrangements (tested at 1800 VAC) 9-1, 12-2, 15-2, 15-3, 18-4, 18-5, 19-7, 23-12 12-200 Combo Arrangements (tested at 750 VAC) 12-201, 15-200, 15-201, 15-204, 18-206, 18-207, 19-204
Contact Type	P = Pin, PC Tail S = Socket, PC Tail
Polarization (See Table I)	A = Normal B = Pos. B C = Pos. C D = Pos. D E = Pos. F F = Pos. F

Table I: Shell Style	
	
-02, -12, -22 Square Flange	-07 Jam-Nut



Pos.	A	B
A (Normal)	150°	210°
B	75°	210°
C	95°	230°
D	140°	275°
E	75°	275°
F	95°	210°

SIZE 12 TWINAX PCB FOOTPRINT DETAIL



NOTES

1. Contacts are non removable and connector is back potted
2. This receptacle mates with all quick coupling high density plug connectors with same polarization and opposite contact gender
3. This connector is environmentally sealed to meet a helium leak detection level less than 10^{-4} cc/sec at one atmosphere Delta P

Dimensions in Inches (millimeters) are subject to change without notice.

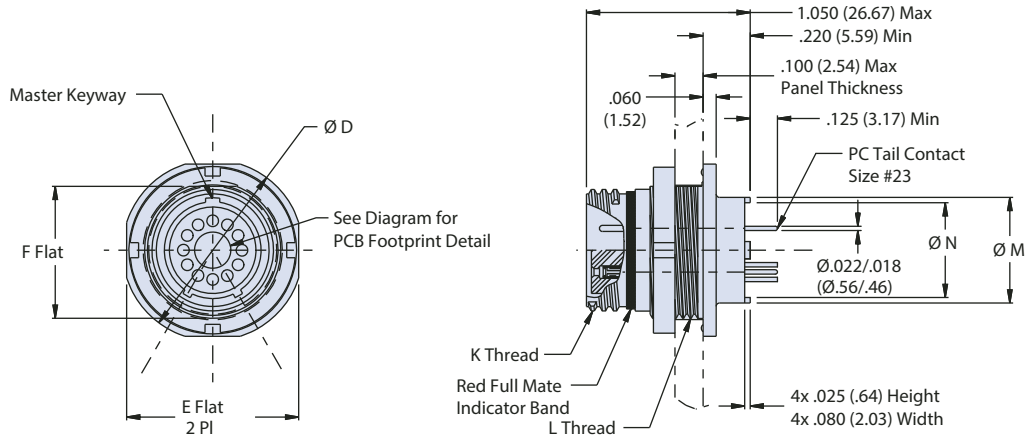
Series 805 Mighty Mouse Triple-Start ACME Thread Receptacle with #12 Twinax PC Tail Contacts

805-129 Shell Style 07 Dimensions



Series 805

Jam-nut, rear panel mount receptacle - shell style 07



Dimensions					
SHELL SIZE	Ø D	E FLAT	F FLAT	K THREAD	L THREAD
9	.880 (22.35)	.850 (21.59)	.665 (16.89) .661 (16.79)	.5625-.1P-.3L-TS	.6875-28 UN-2A
12	1.060 (26.92)	1.035 (26.29)	.788 (20.02) .784 (19.91)	.7500-.1P-.3L-TS	.8125-28 UN-2A
15	1.203 (30.56)	1.173 (29.79)	.974 (24.74) .970 (24.64)	.9375-.1P-.3L-TS	1.0000-28 UN-2A
18	1.389 (35.28)	1.359 (34.52)	1.151 (29.24) 1.147 (29.13)	1.1250-.1P-.3L-TS	1.1875-28 UN-2A
19	1.450 (36.83)	1.420 (36.07)	1.225 (31.12) 1.221 (31.01)	1.1875-.1P-.3L-TS	1.2500-28 UN-2A
23	1.705 (43.31)	1.675 (42.55)	1.474 (37.44) 1.470 (37.34)	1.4375-.1P-.3L-TS	1.5000-28 UN-2A

Jam-Nut, Rear Panel Mount Panel Cutout Dimensions		
Shell Size	N Flat	Ø P
9	.671 (17.04) .667 (16.94)	.698 (17.73) .693 (17.60)
12	.794 (20.17) .790 (20.07)	.822 (20.88) .817 (20.75)
15	.980 (24.89) .976 (24.79)	1.010 (25.65) 1.005 (25.53)
18	1.157 (29.39) 1.153 (29.29)	1.198 (30.43) 1.193 (30.30)
19	1.231 (31.27) 1.227 (31.17)	1.260 (32.00) 1.255 (31.88)
23	1.480 (37.59) 1.476 (37.49)	1.510 (38.35) 1.505 (38.23)

Materials and Finishes

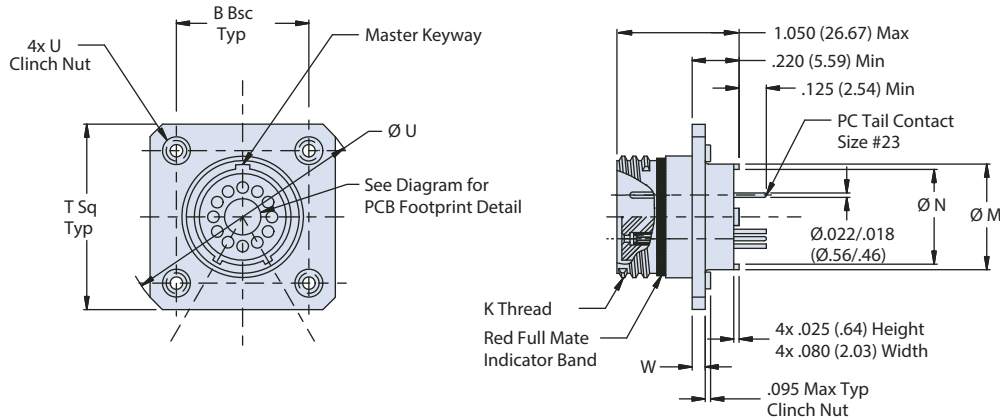
- Shell, jam-nut: aluminum or stainless steel / see how to order table
- Insulators: high-grade rigid dielectric / N.A
- Interfacial seal, O-ring: fluorosilicone / N.A.
- Contact: copper alloy, gold plate per ASTM B 488, Type II, Code C, Class 1.25 over a suitable underplate
- Potting compound: epoxy

Dimensions in Inches (millimeters) are subject to change without notice.

Series 805 Mighty Mouse Triple-Start ACME Thread Receptacle with #12 Twinax PC Tail Contacts

805-129 Shell Style 12 and 22 Dimensions

Square flange, rear panel mount receptacle - shell style 12 and 22



Dimensions								
Shell Size	B Bsc	K Thread	Ø M	Ø N	Ø R	T Sq	U Clinch Nuts	W
9	.723 (18.36)	.5625-.1P-.3L-TS	.432 (10.97)	.322 (8.18)	1.283 (32.59)	.983 (24.97)	2-56	.030 (0.76)
12	.909 (23.09)	.7500-.1P-.3L-TS	.620 (15.75)	.513 (13.03)	1.546 (39.27)	1.169 (29.69)	4-40	.060 (1.52)
15	1.058 (26.87)	.9375-.1P-.3L-TS	.705 (17.91)	.594 (15.09)	1.817 (46.15)	1.378 (35.00)		
18	1.255 (31.88)	1.1250-.1P-.3L-TS	.863 (21.92)	.755 (19.18)	2.096 (53.24)	1.575 (40.00)		
19	1.327 (33.71)	1.1875-.1P-.3L-TS	.912 (23.16)	.805 (20.45)	2.197 (55.80)	1.647 (41.83)		
23	1.570 (39.88)	1.4375-.1P-.3L-TS	1.162 (29.51)	1.055 (26.80)	2.541 (64.54)	1.890 (48.01)		

Square Flange, Rear Panel Mount Panel Cutout			
Shell Size	H BSC	J Holes	Ø P
9	.723 (18.36)	.096 (2.43)	.578 (14.68)
12	.909 (23.09)	.091 (2.31)	.765 (19.43)
15	1.058 (26.87)	.130 (.13)	.953 (24.21)
18	1.255 (31.88)		1.140 (28.96)
19	1.327 (33.71)		1.203 (30.56)
23	1.570 (39.88)		1.453 (36.91)

Materials and Finishes

- Shell: aluminum or stainless steel / see how to order table
- Insulators: high-grade rigid dielectric / N.A
- Interfacial seal, O-ring: fluorosilicone / N.A.
- Contact: copper alloy, gold plate per ASTM B 488, Type II, Code C, Class 1.25 over a suitable underplate
- Potting compound: epoxy

Dimensions in Inches (millimeters) are subject to change without notice.

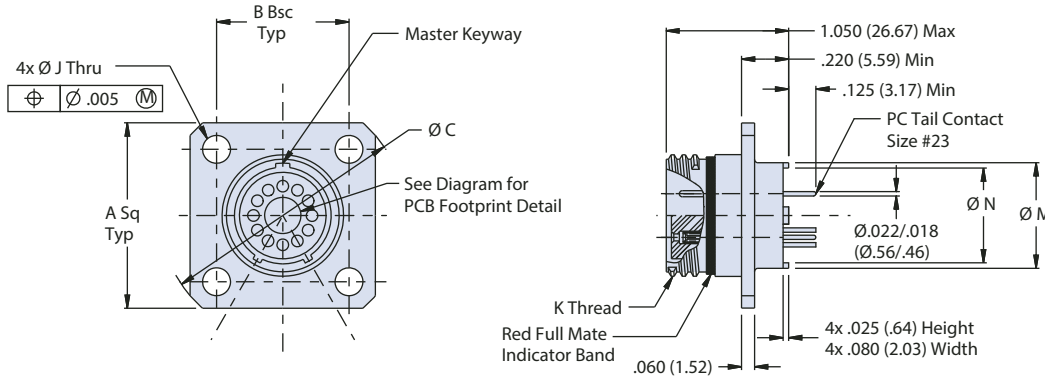
Series 805 Mighty Mouse Triple-Start ACME Thread Receptacle with #12 Twinax PC Tail Contacts

805-129 Shell Style 02 Dimensions



Series 805

Square flange, rear panel mount receptacle - shell style 02



Dimensions							
Shell Size	A Sq	B Bsc	Ø C	J Holes	K Thread	Ø M	Ø N
9	.913 (23.19)	.723 (18.36)	1.230 (31.24)	.096 (2.44)	.5625-.1P-.3L-TS	.432 (10.97)	.322 (8.18)
12	1.099 (27.91)	.909 (23.09)	1.500 (38.10)	.091 (2.31)	.7500-.1P-.3L-TS	.620 (15.75)	.513 (13.03)
15	1.288 (32.72)	1.058 (26.87)	1.750 (44.45)	.130 (3.30)	.9375-.1P-.3L-TS	.705 (17.91)	.594 (15.09)
18	1.475 (37.47)	1.255 (31.88)	2.000 (50.80)		1.1250-.1P-.3L-TS	.863 (21.92)	.755 (19.18)
19	1.537 (39.04)	1.327 (33.71)	2.094 (53.19)		1.1875-.1P-.3L-TS	.912 (23.16)	.805 (20.45)
23	1.787 (45.39)	1.570 (39.88)	2.440 (61.98)	.126 (3.20)	1.4375-.1P-.3L-TS	1.162 (29.51)	1.055 (26.80)

Square Flange, Rear Panel Mount Panel Cutout			
Shell Size	H BSC	J Holes	Ø P
9	.723 (18.36)	.096 (2.43)	.578 (14.68)
12	.909 (23.09)	.091 (2.31)	.765 (19.43)
15	1.058 (26.87)	.130 (.13)	.953 (24.21)
18	1.255 (31.88)		1.140 (28.96)
19	1.327 (33.71)		1.203 (30.56)
23	1.570 (39.88)	.126 (3.20)	1.453 (36.91)

Materials and Finishes

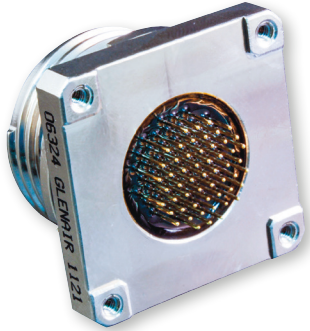
- Shell: aluminum or stainless steel / see how to order table
- Insulators: high-grade rigid dielectric / N.A
- Interfacial seal, O-ring: fluorosilicone / N.A.
- Contact: copper alloy, gold plate per ASTM B 488, Type II, Code C, Class 1.25 over a suitable underplate
- Potting compound: epoxy

Dimensions in Inches (millimeters) are subject to change without notice.



Series 805 Mighty Mouse Triple-Start ACME Thread Jam-Nut, Rear Panel Mount PCB Receptacle

805-067 Ordering Information



Series 805 Jam-Nut, Rear Panel Mount Printed Circuit Board Receptacle features a choice of stainless steel or aluminum alloy shells. Threaded heli-coil (2-56 x .086) allows for direct to board attachment. Available PC tail or solder cup contacts are gold plated copper alloy and non-removable. Integral .025 (0.64) standoff

allows for board washout. Choose PC tails for attachment to flexible or rigid boards. Select solder cups for direct wire attachment. Connector is back potted and paralyene compatible. Mates with all triple start threaded high density series 805 plug connectors with the same polarization and opposite contact gender.

How To Order

Sample Part Number	805-067	-07	M	8-23	P	A
Series	805-067 = PCB Receptacle with Solder Cup or PC tail Contacts					
Shell Style (See Table I)	-07 = Jam-Nut, Rear Panel Mount Receptacle with Non-Locking Heli-Coils -17 = Jam-Nut, Rear Panel Mount Receptacle with Self-Locking Heli-Coils					
Shell Material and Finish	C = Aluminum / Black Anodize (Non-Conductive); RoHS Compliant M = Aluminum / Electroless Nickel; RoHS Compliant MT = Aluminum / Nickel-PTFE RoHS Compliant NF = Aluminum / Cadmium with Olive Drab Chromate ZNU = Aluminum / Zinc-Nickel with Black Chromate Z1 = Stainless Steel / Passivated; RoHS Compliant					
Shell Size - Insert Arrangement	See Contact Arrangements Page H-2					
Contact Type	P = Pin, PC Tail S = Socket, PC Tail		E = Pin, Solder Cup F = Socket, Solder Cup			
Polarization (See Table II)	A = Normal B = Pos. B C = Pos. C D = Pos. D E = Pos. E F = Pos. F					

Table I: Shell Style

-07 Jam-Nut, Rear Panel Mount with Non-Locking Heli-Coils	-17 Jam-Nut, Rear Panel Mount with Self-Locking Heli-Coils

Table II: Keyway Positions

Position	A°	B°
A (Normal)	150°	210°
B	75°	210°
C	95°	230°
D	140°	275°
E	75°	275°
F	95°	210°

NOTES

1. Contacts are nonremovable and connector is back potted
2. Connector receptacle mates with all series 805 triple start thread high density plug connectors with same polarization and opposite contact gender
3. For all #8 arrangements, add .227 (5.77) to overall length

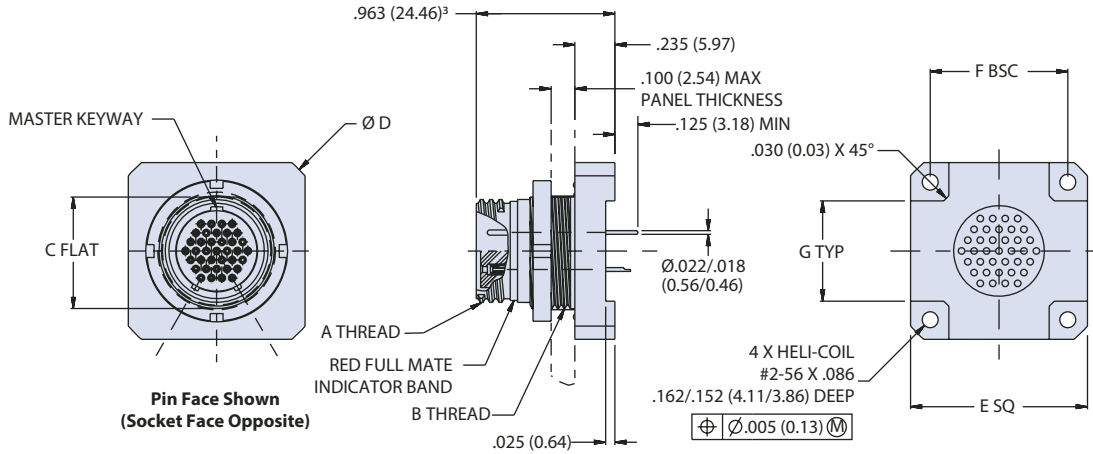
Dimensions in Inches (millimeters) are subject to change without notice.

Series 805 Mighty Mouse Triple-Start ACME Thread Square Flange Jam-Nut PCB Receptacle 805-067 Shell Style -07 Dimensions



Series 805

Jam-nut, rear panel mount receptacle - shell style 07



Dimensions							
Shell Size	A Thread	B Thread	C Flat	Ø D	E SQ	F BSC	G Typ
8	.5000-.1P-.3L-TS	.5625-28 UNEF-2A	.535 (13.59)	.920 (23.37)	.729 (18.52)	.496 (12.60)	.276 (7.01)
9	.5625-.1P-.3L-TS	.6875-28 UN-2A	.661 (16.79)	1.110 (28.19)	.859 (21.82)	.627 (15.93)	.407 (10.34)
10	.6250-.1P-.3L-TS	.6875-28 UN-2A	.661 (16.79)	1.110 (28.19)	.859 (21.82)	.627 (15.93)	.407 (10.34)
11	.6875-.1P-.3L-TS	.7500-28 UN-2A	.721 (18.31)	1.200 (30.48)	.930 (23.62)	.698 (17.73)	.478 (12.14)
12	.7500.1P-.3L-TS	.8125-28 UN-2A	.784 (19.91)	1.370 (34.80)	1.044 (26.52)	.812 (20.62)	.592 (15.04)
13	.8125-.1P-.3L-TS	.8750-28 UN-2A	.843 (21.41)	1.420 (36.07)	1.085 (27.56)	.853 (21.67)	.633 (16.08)
15	.9375.1P-.3L-TS	1.0000-28 UN-2A	.970 (24.64)	1.560 (39.62)	1.175 (29.85)	.943 (23.95)	.723 (18.36)
18	1.1250.1P-.3L-TS	1.1875-28 UN-2A	1.147 (29.13)	1.800 (45.72)	1.351 (34.32)	1.119 (28.42)	.899 (22.83)
19	1.1875-.1P-.3L-TS	1.2500-28 UN-2A	1.221 (31.01)	1.880 (47.75)	1.407 (35.74)	1.175 (29.85)	.955 (24.26)
21	1.3125-.1P-.3L-TS	1.3750-28 UN-2A	1.350 (34.29)	2.090 (53.09)	1.550 (39.37)	1.318 (33.48)	1.098 (27.89)
23	1.4375-.1P-.3L-TS	1.5000-28 UN-2A	1.470 (37.34)	2.270 (57.66)	1.680 (42.67)	1.448 (36.78)	1.228 (31.19)

Jam-Nut Panel Cutout		
Shell Size	H Flat	Ø J
8	.545 (13.84)	.572 (14.53)
	.541 (13.74)	.567 (14.40)
9	.671 (17.04)	.698 (17.73)
	.667 (16.94)	.693 (17.60)
10	.671 (17.04)	.698 (17.73)
	.667 (16.94)	.693 (17.60)
11	.731 (18.57)	.760 (19.30)
	.727 (18.47)	.755 (19.18)
12	.794 (20.17)	.822 (20.88)
	.790 (20.07)	.817 (20.75)
13	.851 (21.62)	.885 (22.48)
	.847 (21.51)	.881 (22.38)
15	.980 (24.89)	1.010 (25.65)
	.976 (24.79)	1.005 (25.53)
18	1.157 (29.39)	1.198 (30.43)
	1.153 (29.29)	1.193 (30.30)
19	1.231 (31.27)	1.260 (32.00)
	1.227 (31.17)	1.255 (31.88)
21	1.358 (34.49)	1.383 (35.13)
	1.354 (34.39)	1.381 (35.08)
23	1.480 (37.59)	1.510 (38.35)
	1.476 (37.49)	1.505 (38.23)

Material and Finish

- Shell, jam-nut: aluminum alloy or SST / see how to order table
- Insulator: LCP / N.A.
- Interfacial seal, O-ring, peripheral seal: fluorosilicone / N.A.
- Contact: copper alloy / gold plate per ASTM B 488, Type II, Code C, Class 1.25, over suitable underplate
- Potting compound: epoxy / N.A.

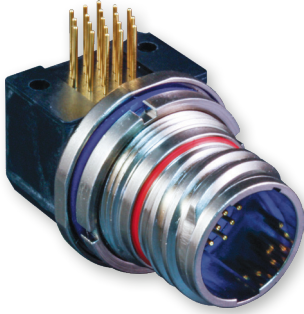
Dimensions in Inches (millimeters) are subject to change without notice.





Series 805 Mighty Mouse Triple-Start ACME Thread Right Angle PCB Header Receptacle

805-011 Ordering Information



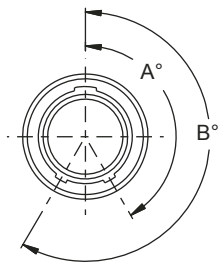
Right Angle PCB Header Receptacle connectors offer military grade performance in a small, lightweight package. These connectors are rated for MIL-STD-810 Method 512 immersion. High temperature thermoplastic housing withstands soldering temperatures. Stainless steel threaded inserts simplify attachment to printed circuit board.

- Triple-Start ACME Thread
- Right Angle Contacts
- High Temperature Housing
- Threaded Inserts
- Environmentally Sealed

How To Order

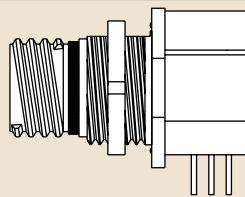
Sample Part Number	805-011	-07	M	8-7	S	A
Series	805-011 = Right Angle PCB Header Receptacle					
Shell Style	-07 = Jam-Nut, Rear Panel Mount (See Table II)					
Shell Material and Finish	C = Aluminum / Black Anodize (Non-Conductive); RoHS Compliant M = Aluminum / Electroless Nickel; RoHS Compliant NF = Aluminum / Cadmium with Olive Drab Chromate ZNU = Aluminum / Zinc-Nickel with Black Chromate Z1 = Stainless Steel / Passivated; RoHS Compliant					
Shell Size - Insert Arrangement	8-1, 8-4, 8-6, 8-7, 9-1, 9-10, 10-2, 10-13, 11-4, 11-19, 11-200, 12-2, 12-5, 12-201					
Contact Type	P = Pin, PC Tail S = Socket, PC Tail					
Polarization(See Table I)	A = Normal B = Pos. B C = Pos. C D = Pos. D E = Pos. E F = Pos. F					

Table I: Polarization



Position	A°	B°
A (Normal)	150°	210°
B	75°	210°
C	95°	230°
D	140°	275°
E	75°	275°
F	95°	210°

Table I: Shell Style



-07
Jam-Nut, Rear Panel Mount Header
with Threaded Inserts

NOTES

1. Torque 2-56 screws to 20-25 in/oz with Loc-Tite recommended
2. For shell sizes 11 and 12, 2-56 start of thread is .150 +000/-050 below surface and mounting hole depth is .350
3. For shell sizes 8-10, 2-56 start of thread is .100 +.000/-050 below surface

Material and Finish

- Shell, jam-nut: aluminum alloy or CRES / see how to order table
- Insulator: LCP or epoxy/ N.A.
- Interfacial seal, O-ring: fluorosilicone / N.A.
- Contact: copper alloy / gold plate per ASTM B 488, Type II, Code C, Class 1.25, over suitable underplate
- Potting compound: epoxy / N.A.

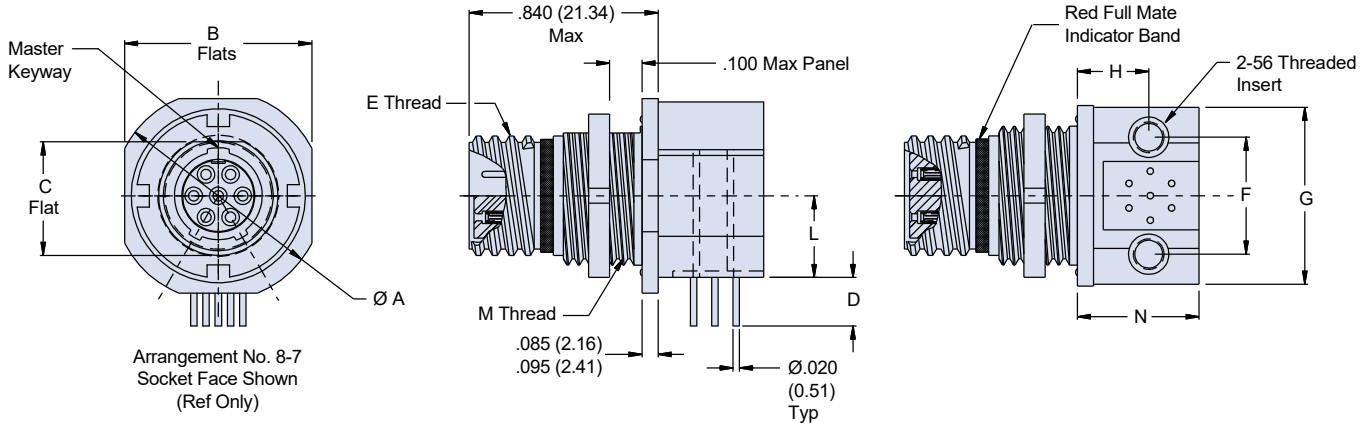
Dimensions in Inches (millimeters) are subject to change without notice.

Series 805 Mighty Mouse Triple-Start ACME Thread Right Angle PCB Header Receptacle 805-011 Shell Style -07 Dimensions



Series 805

Jam-nut mount receptacle - shell style 07



Dimensions											
Shell Size	A	B	C $\pm .002$ (0.05)	D $\pm .035$ (0.89)	E Thread .1P-.3L-TS	F	G	H $\pm .055$	L	M Thread	N
8-1	.760 (19.30)	.730 (18.54)	.536 (13.61)	.292 (7.42)	.5000	.385 (9.78)	.589 (14.96)	.314 (7.98)	.225 (5.72)	.5625-28 UN-2A	.435 (11.05)
8-4	.760 (19.30)	.730 (18.54)	.536 (13.61)	.292 (7.42)	.5000	.385 (9.78)	.589 (14.96)	.314 (7.98)	.225 (5.72)	.5625-28 UN-2A	.435 (11.05)
8-6	.760 (19.30)	.730 (18.54)	.536 (13.61)	.265 (6.73)	.5000	.408 (10.36)	.589 (14.96)	.277 (7.04)	.225 (5.72)	.5625-28 UN-2A	.435 (11.05)
8-7	.760 (19.30)	.730 (18.54)	.536 (13.61)	.265 (6.73)	.5000	.408 (10.36)	.589 (14.96)	.277 (7.04)	.225 (5.72)	.5625-28 UN-2A	.435 (11.05)
9-1	.880 (22.35)	.850 (21.59)	.662 (16.81)	.273 (6.93)	.5625	.452 (11.48)	.710 (18.03)	.260 (6.60)	.296 (7.52)	.6875-28 UN-2A	.435 (11.05)
9-10	.880 (22.35)	.850 (21.59)	.662 (16.81)	.273 (6.93)	.5625	.452 (11.48)	.710 (18.03)	.260 (6.60)	.296 (7.52)	.6875-28 UN-2A	.435 (11.05)
10-2	.880 (22.35)	.850 (21.59)	.664 (16.87)	.305 (7.75)	.6250	.490 (12.45)	.710 (18.03)	.320 (8.13)	.320 (8.13)	.6875-28 UN-2A	.580 (14.73)
10-13	.880 (22.35)	.850 (21.59)	.662 (16.81)	.305 (7.75)	.6250	.490 (12.45)	.710 (18.03)	.320 (8.13)	.320 (8.13)	.6875-28 UN-2A	.580 (14.73)
11-4	.952 (24.18)	.925 (23.50)	.722 (18.34)	.24 (6.10)	.6875	.600 (15.24)	.800 (20.32)	.432 (10.97)	.362 (9.19)	.7500-28 UN-2A	.580 (14.73)
11-19	.952 (24.18)	.925 (23.50)	.722 (18.34)	.275 (6.99)	.6875	.600 (15.24)	.800 (20.32)	.432 (10.97)	.362 (9.19)	.7500-28 UN-2A	.580 (14.73)
11-200	.952 (24.18)	.925 (23.50)	.722 (18.34)	.255 (6.48)	.6875	.600 (15.24)	.800 (20.32)	.432 (10.97)	.362 (9.19)	.7500-28 UN-2A	.580 (14.73)
12-2	1.06 (26.92)	1.035 (26.29)	.784 (19.91)	.299 (7.59)	.7500	.640 (16.26)	.840 (21.34)	.452 (11.48)	.397 (10.08)	.8125-28 UN-2A	.660 (16.76)
12-5	1.06 (26.92)	1.035 (26.29)	.784 (19.91)	.255 (6.48)	.7500	.640 (16.26)	.840 (21.34)	.452 (11.48)	.397 (10.08)	.8125-28 UN-2A	.660 (16.76)
12-201	1.06 (26.92)	1.035 (26.29)	.784 (19.91)	.294 (7.47)	.7500	.640 (16.26)	.840 (21.34)	.452 (11.48)	.397 (10.08)	.8125-28 UN-2A	.660 (16.76)

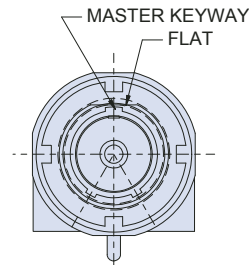
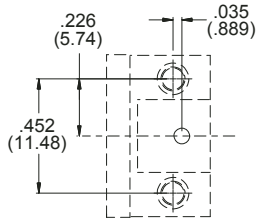
Jam-Nut Panel Cutout		
Shell Size	H Flat	$\varnothing J$
8	.545 (13.84)	.572 (14.53)
	.541 (13.74)	.567 (14.40)
9	.671 (17.04)	.698 (17.73)
	.667 (16.94)	.693 (17.60)
10	.671 (17.04)	.698 (17.73)
	.667 (16.94)	.693 (17.60)
11	.731 (18.57)	.760 (19.30)
	.727 (18.47)	.755 (19.18)
12	.794 (20.17)	.822 (20.88)
	.790 (20.07)	.817 (20.75)
13	.851 (21.62)	.885 (22.48)
	.847 (21.51)	.881 (22.38)
15	.980 (24.89)	1.010 (25.65)
	.976 (24.79)	1.005 (25.53)
18	1.157 (29.39)	1.198 (30.43)
	1.153 (29.29)	1.193 (30.30)
19	1.231 (31.27)	1.260 (32.00)
	1.227 (31.17)	1.255 (31.88)
21	1.358 (34.49)	1.383 (35.13)
	1.354 (34.39)	1.381 (35.08)
23	1.480 (37.59)	1.510 (38.35)
	1.476 (37.49)	1.505 (38.23)

Dimensions in Inches (millimeters) are subject to change without notice.

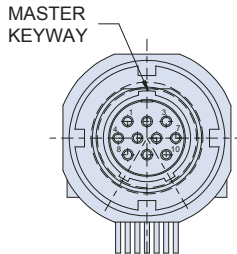
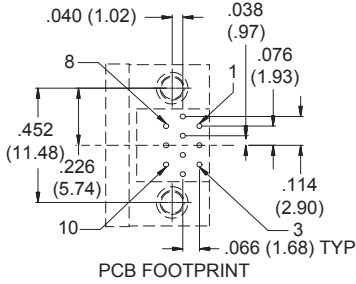




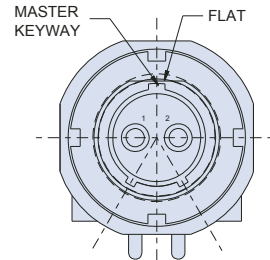
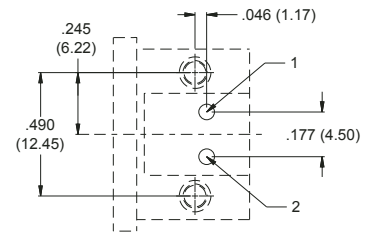
Series 805 Mighty Mouse Triple-Start ACME Thread Right Angle PCB Receptacle 805-011 Shell Style -07 PCB Footprints



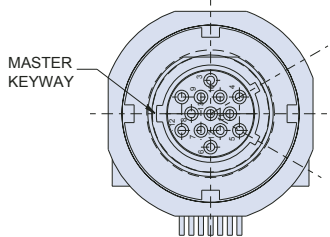
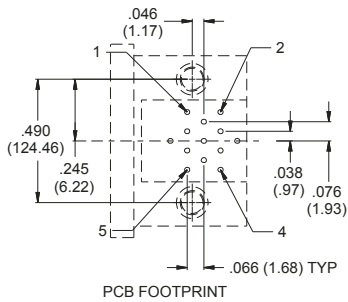
ARRANGEMENT NO. 9-1
(1 #12 CONTACT)
SOCKET FACE SHOWN
(PIN FACE OPPOSITE)



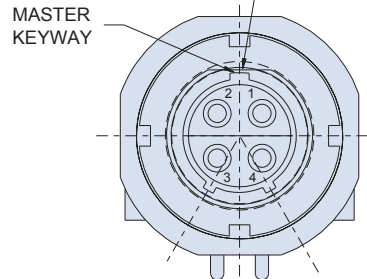
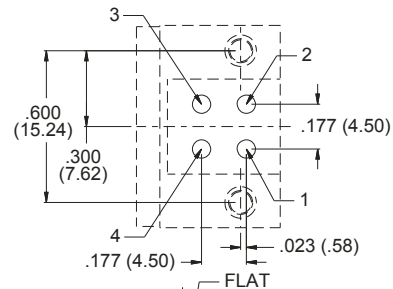
ARRANGEMENT NO. 9-10
(10 #23 CONTACTS)
SOCKET FACE SHOWN
(PIN FACE OPPOSITE)



ARRANGEMENT NO. 10-2
(2 #16 CONTACTS)
SOCKET FACE SHOWN
(PIN FACE OPPOSITE)



ARRANGEMENT NO. 10-13
(13 #23 CONTACTS)
SOCKET FACE SHOWN
(PIN FACE OPPOSITE)



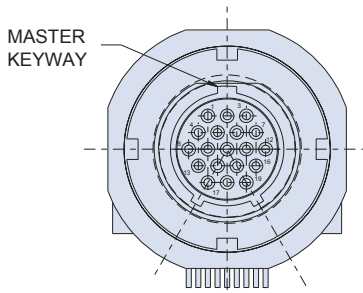
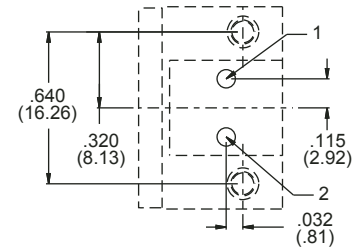
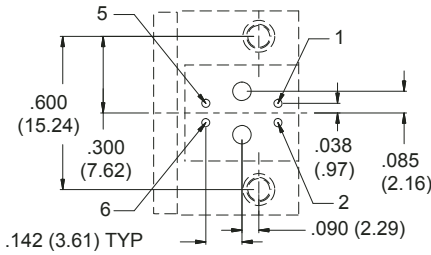
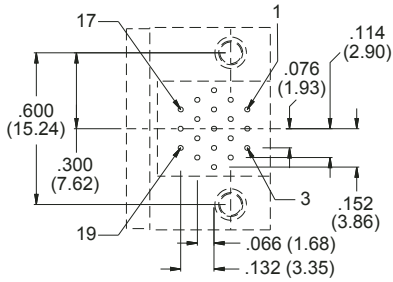
ARRANGEMENT NO. 11-4
(4 #16 CONTACTS)
SOCKET FACE SHOWN
(PIN FACE OPPOSITE)

Dimensions in Inches (millimeters) are subject to change without notice.

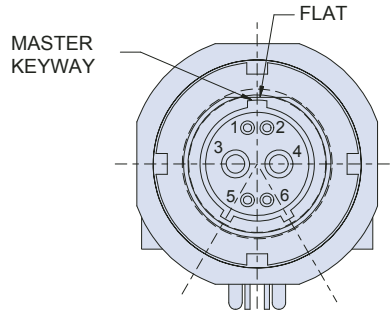
Series 805 Mighty Mouse Triple-Start ACME Thread Right Angle PCB Receptacle 805-011 Shell Style -07 PCB Footprints



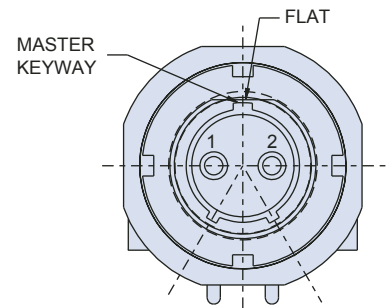
Series 805



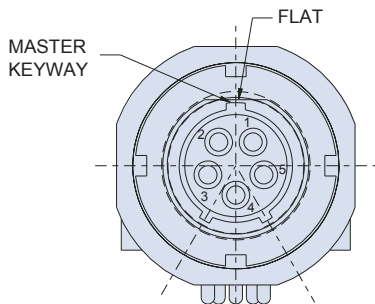
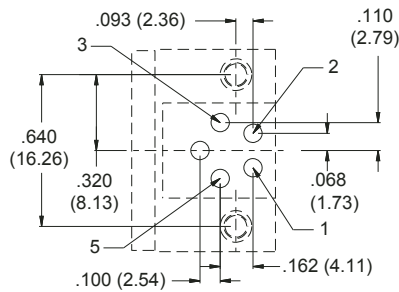
ARRANGEMENT NO. 11-19
(19 #23 CONTACTS)
SOCKET FACE SHOWN



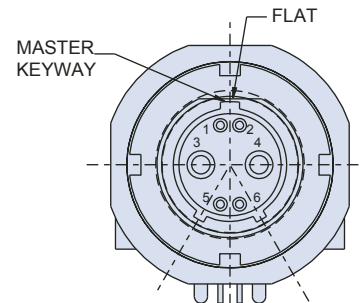
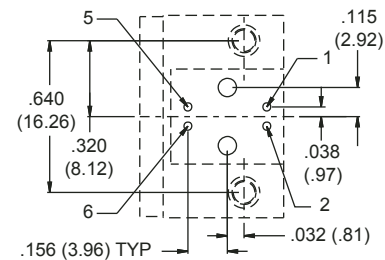
ARRANGEMENT NO. 11-200
(2 #16, 4 #23 CONTACTS)
SOCKET FACE SHOWN
PIN FACE OPPOSITE)



ARRANGEMENT NO. 12-2
(2 #12 CONTACTS)
SOCKET FACE SHOWN



ARRANGEMENT NO. 12-5
(5 #16 CONTACTS)
SOCKET FACE SHOWN



ARRANGEMENT NO. 12-201
(2 #12, 4 #23 CONTACTS)
SOCKET FACE SHOWN
PIN FACE OPPOSITE)

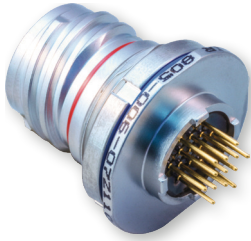
Dimensions in Inches (millimeters) are subject to change without notice.





Series 805 Mighty Mouse Triple-Start ACME Thread Hermetic Receptacle with PC Tails or Solder Cup Contacts

805-006 Ordering Information



Series 805 Hermetic Receptacles feature solder cup contacts for direct wire attachment or PC tails for PC board termination. Contacts are gold plated, nickel alloy pin contacts and copper alloy socket contacts. Shell styles include square flange, solder mount, jam-nut and weld mount. Connectors are hermetically sealed and tested for leak rate less than 1×10^{-7} ccHe/sec at 1 atmosphere. Contacts are non-removable, back potted and paralyene compatible. Consult factory for additional arrangements.

How To Order	
Sample Part Number	805-006 -02 Z1 8-7 P A
Series	805-006 = Hermetic Receptacle with Solder Cups
Shell Style (See Table I)	-02 = Square Flange, Front or Rear Mount Receptacle -03 = Solder Mount Receptacle -07 = Jam-Nut, Rear Panel Mount Receptacle -13 = Weld Mount, Front Panel Mount Receptacle
Material and Finish	Z1 = Stainless Steel / Passivated ZB = Stainless Steel / Olive Drab Chromate over Cadmium ZC = Stainless Steel / Zinc Cobalt Alloy/Black Chromate ZL = Stainless Steel / Electrodeposited Nickel
Shell Size - Insert Arrangement	See page H-3.
Contact Type	P = Pin, Solder Cup S = Socket, Solder Cup
Shell Key Positions (See Table II)	A = Normal B = Pos. B C = Pos. C D = Pos. D E = Pos. F F = Pos. F

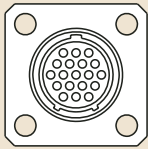
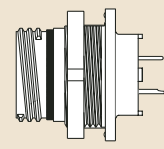
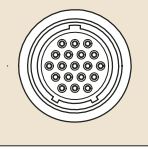
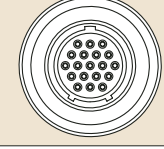
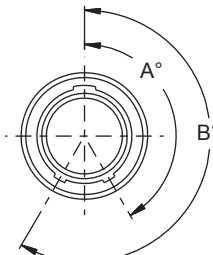
Table I: Shell Style	
	
-02 Square Flange	-07 Jam-Nut
	
-03 Solder Mount	-13 Weld Mount

Table II: Key Positions		
		
Position	A	B
A (Normal)	150°	210°
B	75°	210°
C	95°	230°
D	140°	275°
E	75°	275°
F	95°	210°

NOTES

1. This connector mates with all quick coupling high density plug connectors with same polarization and opposite contact gender 805-001, 805-002
2. For additional insert arrangements consult factory
3. Contacts are non removable and connector is back potted
4. Hermeticity is less than 1×10^{-7} ccHe/second at one atmosphere

Material/Finish:

- Shell, jam-nut: CRES / passivate or plate as required
- Contacts, hermetic: alloy 52 / gold plate
- Contacts, socket: copper alloy / gold plate
- Seals: fluorosilicone / N.A.
- Insulator, hermetic: fused vitreous glass / N.A.
- Insulator, socket: rigid dielectric / N.A.

Dimensions in Inches (millimeters) are subject to change without notice.

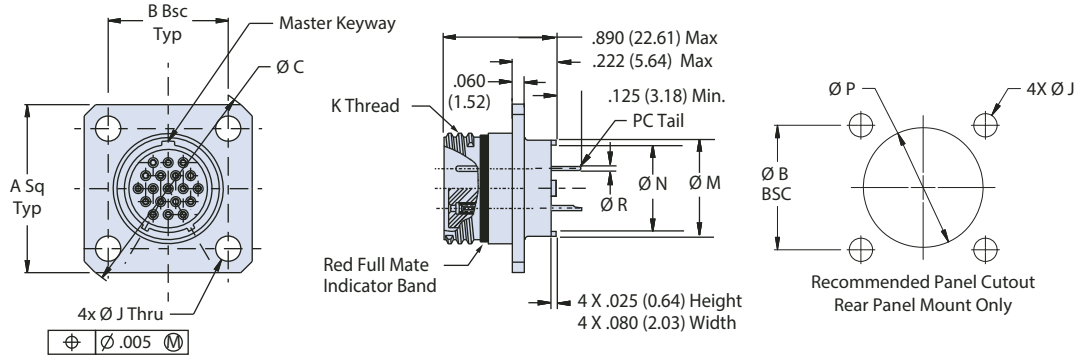
Series 805 Mighty Mouse Triple-Start ACME Thread Hermetic Receptacle with PC Tails or Solder Cup Contacts

805-006 Dimensions



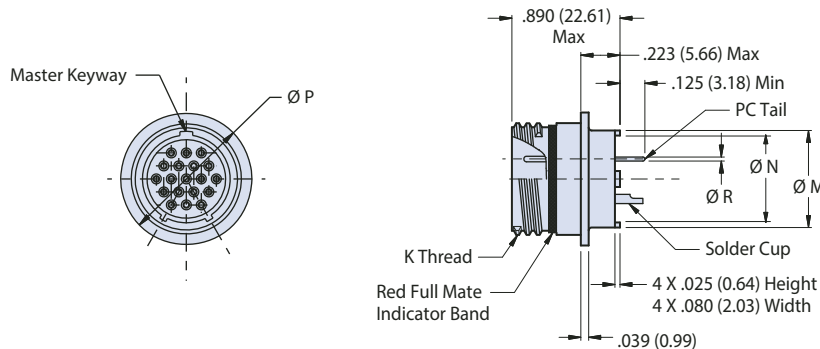
Series 805

Square flange receptacle - shell style 02



PC Tails	
Contact Size	Ø R ±.002 (.05)
#23	.020 (0.51)
#20	.026 (0.66)
#16	.062 (1.57)
#12	.094 (2.39)

Solder mount receptacle - shell style 03



PC Tails	
Contact Size	Ø R ±.002 (.05)
#23	.020 (0.51)
#20	.026 (0.66)
#16	.062 (1.57)
#12	.094 (2.39)

Dimensions											
Shell Size	A Sq	B Bsc	Ø C	J Holes	K Thread .1P-.3L-TS	Ø M	Ø N Min	Ø P	H BSC	Square Flange Cutout	
										J Holes	Ø P
8	.850 (21.59)	.660 (16.76)	1.150 (29.21)	.096 (2.44)	.5000	.330 (8.38)	.230 (5.84)	.625 (15.88)	.660 (16.76)	.096 (2.43)	.515 (13.08)
9	.913 (23.19)	.723 (18.36)	1.230 (31.24)		.5625	.432 (10.97)	.322 (8.18)	.688 (17.48)	.723 (18.36)		.578 (14.68)
10	.975 (24.76)	.785 (19.94)	1.330 (33.78)		.6250	.493 (12.52)	.386 (9.80)	.750 (19.05)	.785 (19.94)		.640 (16.26)
11	1.039 (26.39)	.848 (21.54)	1.410 (35.81)	.091 (2.31)	.6875	.553 (14.05)	.442 (11.23)	.812 (20.62)	.848 (21.54)	.091 (2.31)	.703 (17.86)
12	1.099 (27.91)	.909 (23.09)	1.500 (38.10)		.7500	.620 (15.75)	.513 (13.03)	.875 (22.23)	.909 (23.09)		.765 (19.43)
13	1.163 (29.54)	.973 (24.71)	1.590 (40.39)		.8125	.661 (16.79)	.554 (14.07)	.938 (23.83)	.973 (24.71)		.828 (21.03)
15	1.288 (32.72)	1.058 (26.87)	1.750 (44.45)	.130 (3.30)	.9375	.703 (17.86)	.594 (15.09)	1.062 (26.97)	1.058 (26.87)	.130 (1.13)	.953 (24.21)
18	1.475 (37.47)	1.255 (31.88)	2.000 (50.80)		1.1250	.863 (21.92)	.750 (19.05)	1.250 (31.75)	1.255 (31.88)		1.140 (28.96)
19	1.537 (39.04)	1.327 (33.71)	2.094 (53.19)		1.1875	.912 (23.16)	.805 (20.45)	1.312 (33.32)	1.327 (33.71)		1.203 (3.56)
21	1.663 (42.24)	1.452 (36.88)	2.270 (57.66)	.126 (3.20)	1.3125	1.017 (25.83)	.910 (23.11)	1.438 (36.53)	1.452 (36.88)	.126 (3.20)	1.328 (33.73)
23	1.787 (45.39)	1.576 (40.03)	2.440 (61.98)		1.4375-	1.162 (29.51)	1.050 (26.67)	1.562 (39.67)	1.570 (39.88)		1.453 (36.91)

Dimensions in Inches (millimeters) are subject to change without notice.

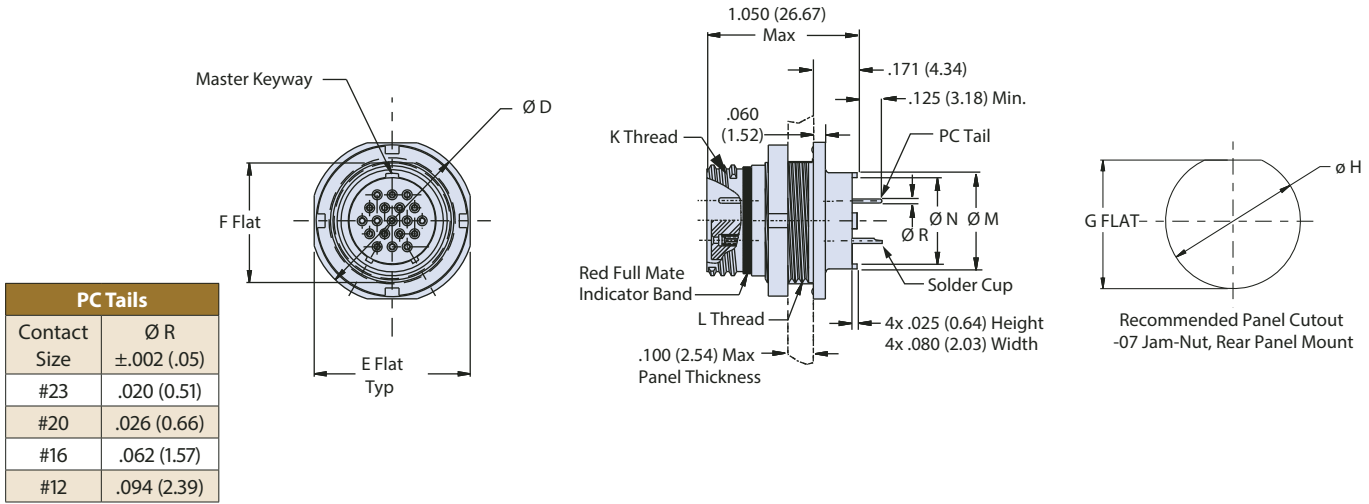




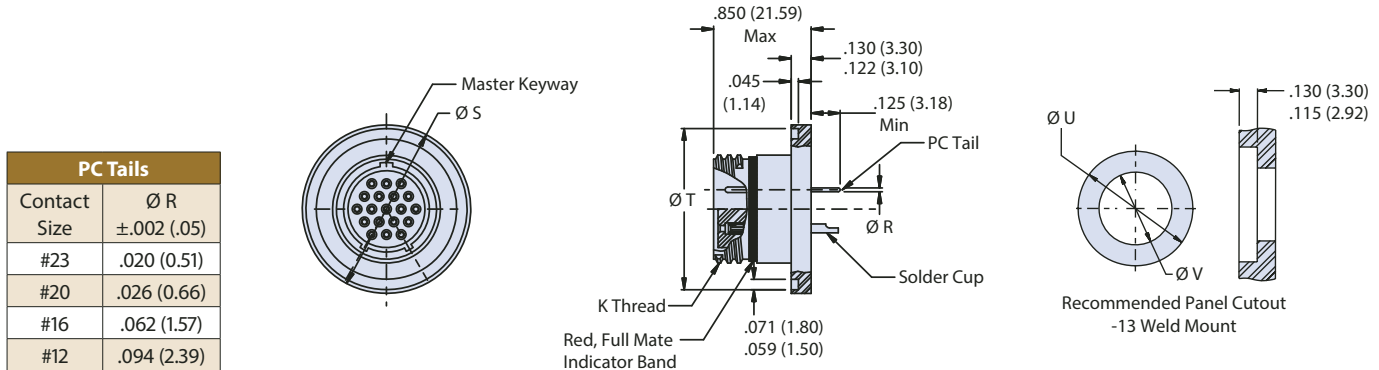
Series 805 Mighty Mouse Triple-Start ACME Thread Hermetic Receptacle with PC Tails or Solder Cup Contacts

805-006 Dimensions

Jam-nut mount receptacle - shell style 07



Weld mount receptacle - shell style 13



Shell Size	Dimensions											
	Ø D	E Flat	F Flat	K Thread -.1P-.3L-TS	L Thread -28 UN-2A	Ø M	Ø N Min	Ø S ±.002	Jam-Nut Cutout		Weld Mount Cutout	
									G Flat ±.002(.05)	Ø H +.005 (+.13) -.000 (-.00)	Ø U ±.003 (0.08)	Ø V Min
8	.760 (19.30)	.730 (18.54)	.535 (13.59)	.5000	.5625	.330 (8.38)	.230 (5.84)	.788 (20.02)	.543 (13.79)	.567 (14.40)	0.794 (20.17)	.350 (8.89)
9	.880 (22.35)	.850 (21.59)	.661 (16.79)	.5625	.6875	.432 (10.97)	.322 (8.18)	.912 (23.16)	.669 (16.99)	.693 (17.60)	0.918 (23.32)	.455 (11.56)
10	.880 (22.35)	.850 (21.59)	.661 (16.79)	.6250	.6875	.493 (12.52)	.386 (9.80)	.975 (24.76)	.669 (16.99)	.693 (17.60)	0.981 (24.92)	.520 (13.21)
11	.955 (24.26)	.925 (23.50)	.721 (18.31)	.6875	.7500	.553 (14.05)	.442 (11.23)	1.038 (26.37)	.729 (18.52)	.755 (19.18)	1.044 (26.52)	.575 (14.60)
12	1.060 (26.92)	1.035 (26.29)	.784 (19.91)	.7500	.8125	.620 (15.75)	.513 (13.03)	1.100 (27.94)	.792 (20.12)	.817 (20.75)	1.106 (28.09)	.650 (16.51)
13	1.120 (28.45)	1.090 (27.69)	.843 (21.41)	.8125	.8750	.661 (16.79)	.554 (14.07)	1.162 (29.51)	.849 (21.56)	.881 (22.38)	1.168 (29.67)	.685 (17.40)
15	1.203 (30.56)	1.173 (29.79)	.970 (24.64)	.9375	1.0000	.703 (17.86)	.594 (15.09)	1.288 (32.72)	.978 (24.84)	1.005 (25.53)	1.294 (32.87)	.730 (18.54)
18	1.389 (35.28)	1.359 (34.52)	1.147 (29.13)	1.1250	1.1875	.863 (21.92)	.750 (19.05)	1.475 (37.47)	1.155 (29.34)	1.193 (30.30)	1.481 (37.62)	.890 (22.61)
19	1.450 (36.83)	1.420 (36.07)	1.221 (31.01)	1.1875	1.2500	.912 (23.16)	.805 (20.45)	1.540 (39.12)	1.229 (31.22)	1.255 (31.88)	1.546 (39.27)	.940 (23.88)
21	1.58 (40.13)	1.550 (39.37)	1.35 (34.29)	1.3125	1.3750	1.017 (25.83)	.910 (23.11)	1.665 (42.29)	1.356 (34.44)	1.383 (35.13) 1.381 (35.08)	1.671 (42.44)	1.040 (26.42)
23	1.705 (43.31)	1.675 (42.55)	1.470 (37.34)	1.4375-	1.5000	1.162 (29.51)	1.050 (26.67)	1.795 (45.59)	1.478 (37.54)	1.505 (38.23)	1.801 (45.75)	1.190 (3.23)

Dimensions in Inches (millimeters) are subject to change without notice.

Series 805 Mighty Mouse Triple-Start ACME Thread Hermetic Receptacle with Band Platform and Solder Cups

805-019 Ordering Information



Series 805



PCB Hermetic Receptacle Connectors feature integral banding porch for use with Band-Master® stainless steel band (sold separately) and solder cup contacts for direct to wire attachment. Available square flange–front or rear panel mount, solder mount, jam-nut and weld mount shell styles. Connectors are hermetically sealed and tested for leak rate less than 1×10^{-7} ccHe/sec at atmosphere. Contacts are non-removable, back potted and paralyene compatible. Consult factory for additional arrangements.

How To Order	
Sample Part Number	805-019 -02 Z1 8-7 P A
Series	805-019 = Hermetic Receptacle with Solder Cups and Integral Banding Porch
Shell Style (See Table I)	-02 = Square Flange, Front or Rear Mount Receptacle -03 = Solder Mount Receptacle -07 = Jam-Nut, Rear Panel Mount Receptacle
Material and Finish	Z1 = Stainless Steel / Passivated ZB = Stainless Steel / Olive Drab Chromate over Cadmium ZC = Stainless Steel / Zinc Cobalt Alloy/Black Chromate ZL = Stainless Steel / Electrodeposited Nickel ZN = Stainless Steel / Zinc Nickel/Olive Drab over Electroless Nickel ZU = Stainless Steel / Cadmium Black
Shell Size - Insert Arrangement	See page H-3. See section B for PCB footprints
Contact Type	P = Pin, Solder Cup S = Socket, Solder Cup
Shell Key Positions (See Table II)	A = Normal B = Pos. B C = Pos. C D = Pos. D E = Pos. F F = Pos. F

Table I: Shell Style		
-02 Square Flange	-07 Jam-Nut	-03 Solder Mount

Table II: Key Positions		
Position	A	B
A (Normal)	150°	210°
B	75°	210°
C	95°	230°
D	140°	275°
E	75°	275°
F	95°	210°

NOTES

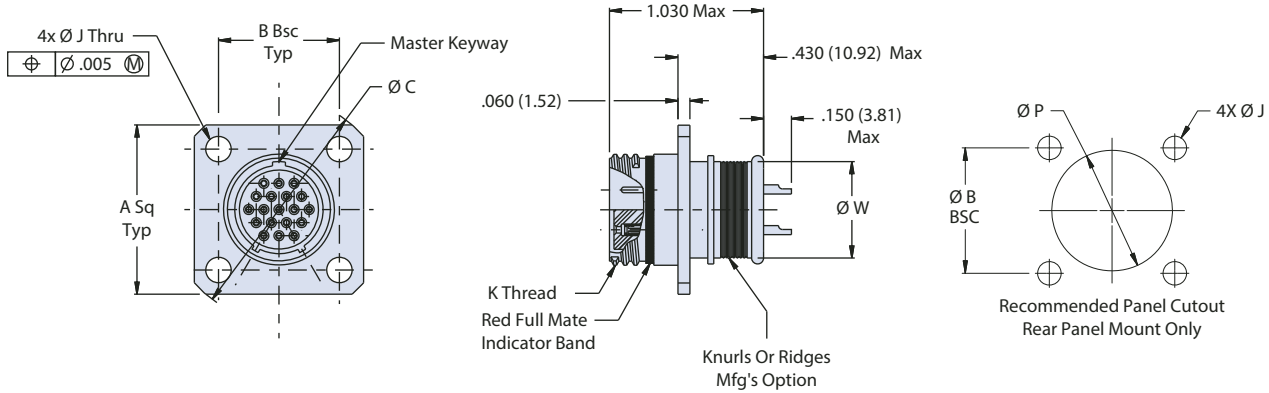
1. This connector mates with all quick coupling high density plug connectors with same polarization and opposite contact gender 805-001, 805-002
2. For additional insert arrangements consult factory
3. Contacts are non removable and connector is back potted
4. Hermeticity is less than 1×10^{-7} ccHe/second at one atmosphere

Dimensions in Inches (millimeters) are subject to change without notice.

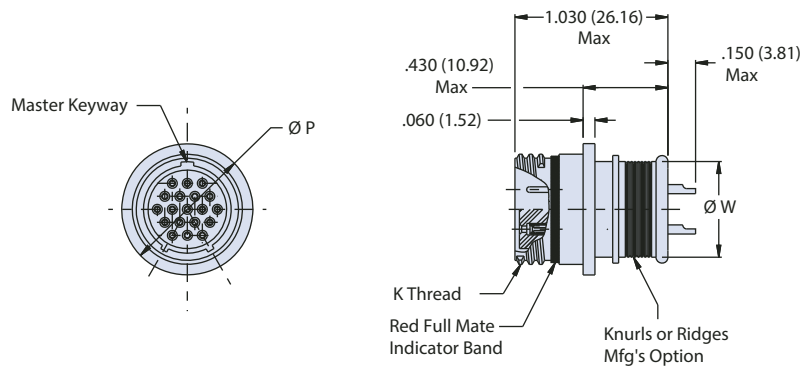


Series 805 Mighty Mouse Triple-Start ACME Thread Hermetic Receptacle with Band Platform and Solder Cups
805-019 Dimensions

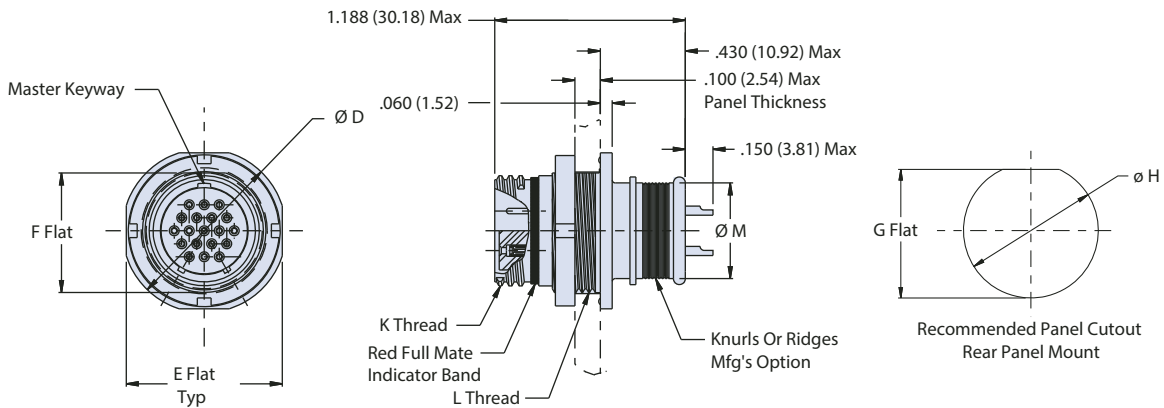
Square flange receptacle - shell style 02



Solder mount receptacle - shell style 03



Jam-nut mount receptacle - shell style 07



Dimensions in Inches (millimeters) are subject to change without notice.

Series 805 Mighty Mouse Triple-Start ACME Thread Hermetic Receptacle with Band Platform and Solder Cups

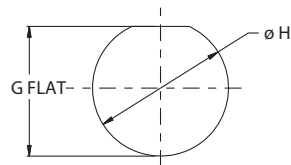
805-019 Dimensions



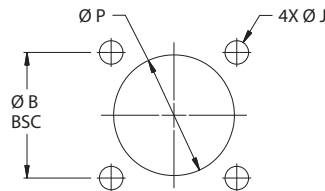
Series 805

Shell Size	A Sq	B Bsc	Ø C	Ø D	E Flat	F Flat	J Holes	K Thread	Ø P	Ø W
8	.850 (21.59)	.660 (16.76)	1.150 (29.21)	.760 (19.30)	.730 (18.54)	.535 (13.59)	.096 (2.44) .091 (2.31)	.5000-.1P-.3L-TS	.625 (15.88)	.316 (8.03)
9	.913 (23.19)	.723 (18.36)	1.230 (31.24)	.880 (22.35)	.850 (21.59)	.661 (16.79)		.5625-.1P-.3L-TS	.688 (17.48)	.397 (10.08)
10	.975 (24.76)	.785 (19.94)	1.330 (33.78)	.880 (22.35)	.850 (21.59)	.661 (16.79)		.6250-.1P-.3L-TS	.750 (19.05)	.472 (11.99)
11	1.039 (26.39)	.848 (21.54)	1.410 (35.81)	.955 (24.26)	.925 (23.50)	.721 (18.31)		.6875-.1P-.3L-TS	.812 (20.62)	.519 (13.18)
12	1.099 (27.91)	.909 (23.09)	1.500 (38.10)	1.060 (26.92)	1.035 (26.29)	.784 (19.91)		.7500-.1P-.3L-TS	.875 (22.23)	.585 (14.86)
15	1.288 (32.72)	1.058 (26.87)	1.750 (44.45)	1.203 (30.56)	1.173 (29.79)	.970 (24.64)	.130 (3.30) .126 (3.20)	.9375-.1P-.3L-TS	1.062 (26.97)	.687 (17.45)
18	1.475 (37.47)	1.255 (31.88)	2.000 (50.80)	1.389 (35.28)	1.359 (34.52)	1.147 (29.13)		1.1250-.1P-.3L-TS	1.250 (31.75)	.884 (22.45)
19	1.537 (39.04)	1.327 (33.71)	2.094 (53.19)	1.450 (36.83)	1.420 (36.07)	1.221 (31.01)		1.1875-.1P-.3L-TS	1.312 (33.32)	.884 (22.45)
21	1.663 (42.24)	1.452 (36.88)	2.270 (57.66)	1.58 (40.13)	1.550 (39.37)	1.35 (34.29)		1.3125-.1P-.3L-TS	1.438 (36.53)	1.003 (25.48)
23	1.787 (45.39)	1.576 (40.03)	2.440 (61.98)	1.705 (43.31)	1.675 (42.55)	1.470 (37.34)		1.4375-.1P-.3L-TS	1.562 (39.67)	1.134 (28.80)

Shell Size	Jam-Nut, Rear Panel Mount		Square Flange, Rear Panel Mount		
	G Flat	Ø H	H BSC	J Holes	Ø P
8	.545 (13.84) .541 (13.74)	.572 (14.53) .567 (14.40)	.660 (16.76)	.096 (2.43) .091 (2.31)	.515 (13.08)
9	.671 (17.04) .667 (16.94)	.698 (17.73) .693 (17.60)	.723 (18.36)		.578 (14.68)
10	.671 (17.04) .667 (16.94)	.698 (17.73) .693 (17.60)	.785 (19.94)		.640 (16.26)
11	.731 (18.57) .727 (18.47)	.760 (19.30) .755 (19.18)	.848 (21.54)		.703 (17.86)
12	.794 (20.17) .790 (20.07)	.822 (20.88) .817 (20.75)	.909 (23.09)		.765 (19.43)
13	.851 (21.62) .847 (21.51)	.885 (22.48) .881 (22.38)	.973 (24.71)	.130 (.13) .126 (3.20)	.828 (21.03)
15	.980 (24.89) .976 (24.79)	1.010 (25.65) 1.005 (25.53)	1.058 (26.87)		.953 (24.21)
18	1.157 (29.39) 1.153 (29.29)	1.198 (30.43) 1.193 (30.30)	1.255 (31.88)		1.140 (28.96)
19	1.231 (31.27) 1.227 (31.17)	1.260 (32.00) 1.255 (31.88)	1.327 (33.71)		1.203 (30.56)
21	1.358 (34.49) 1.354 (34.39)	1.383 (35.13) 1.381 (35.08)	1.452 (36.88)		1.328 (33.73)
23	1.480 (37.59) 1.476 (37.49)	1.510 (38.35) 1.505 (38.23)	1.570 (39.88)	1.453 (36.91)	



Recommended Panel Cutout
-07 Jam-Nut, Rear Panel Mount



Recommended Panel Cutout
-02 Square Flange, Rear Panel Mount Only

Material/Finish:

- Shell: SST / passivate or plate as required
- Contacts, hermetic: alloy 52 / gold plate
- Contacts, socket: copper alloy / gold plate
- Seals: fluorosilicone / N.A.
- Insulator, hermetic: fused vitreous glass / N.A.
- Insulator, socket: rigid dielectric / N.A.

Dimensions in Inches (millimeters) are subject to change without notice.





Series 805 Mighty Mouse Triple-Start ACME Thread Hermetic Receptacle with PC Tail Co-Ax Contacts

805-130 Ordering Information



Series 805 Hermetic Receptacles feature gold plated nickel-iron alloy contacts and compression glass dielectric material. Hermeticity less than 1×10^{-7} cc/Second at 1 ATM. Stainless steel connector shells provide excellent corrosion protection. Viton® O-rings offer improved resistance to high temperature and harsh chemicals.

NOTES

- Material/Finish
 - Shell, jam nut: CRES, passivated or plated see part number development / N.A.
 - Contacts hermetic: nickel alloy/gold plated / N.A.
 - Contacts, socket: copper/gold plated
 - Insulator, hermetic: full glass / N.A.
 - Insulator, co-ax: rigid dielectric / N.A.
 - Seals, o-rings: fluorosilicone blend / N.A.
- Performance Test Criteria:
 - Hermeticity: less than 1×10^{-7} sccHe/sec @ 1 ATM differential
 - D.W.V.:
 - #16 - 800 VAC inner to outer contact
 - #12 - 1000 VAC inner to outer contact
 - 1800 VAC outer-pin to outer-pin and Outer-pin to shell
 - I.R.: 5000 megohms min @500VDC
- Connector will mate with all quick-coupling plug connectors having the same shell size, contact arrangement, and opposite contact gender (co-ax socket.)
- Frequency range:
 - size 16: up to 700 MHz
 - size 12: up to 3 Ghz
- See PCB footprints referenced in section B, page 8

How To Order

Sample Part Number	805-130	-07	Z1	18-5	C	A	-50
Series	805-130 = Hermetic Receptacle						
Shell Style (See Table I)	-02 = Square Flange Mount -03 = Solder Mount Receptacle -07 = Jam Nut Rear Panel Mount						
Shell Material and Finish	Z1 = Stainless Steel / Passivated (RoHS) ZL = Stainless Steel / Nickel Plated						
Shell Size - Insert Arrangement	See Contact Arrangements page E-2, Contact size 16 and 12 only						
Contact Type	C = Co-Ax Pin Face D = Co-Ax Socket Face						
Keyway Position (See Table II)	A = Pos. A B = Pos. B C = Pos. C D = Pos. D E = Pos. E F = Pos. F						
Nominal Impedance	50 = 50 OHM (#12 & 16) 75 = 75 OHM (#12 ONLY)						

Table I: Shell Style

-07 Jam-Nut, Rear Panel Mount	-02 Square Flange	-03 Solder Mount

Table II: Keyway Positions

Key Position	Key Rotation	
	A°	B°
A	150°	210°
B	75°	210°
C	95°	230°
D	140°	275°
E	75°	275°
F	95°	210°

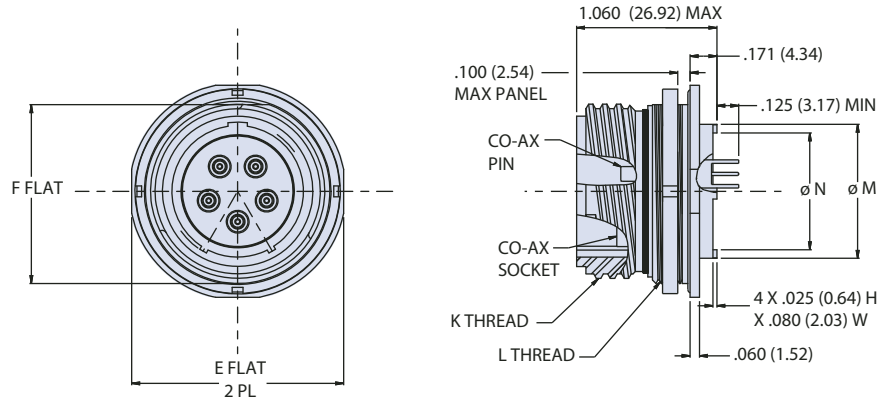
Dimensions in Inches (millimeters) are subject to change without notice.

Series 805 Mighty Mouse Triple-Start ACME Thread
Hermetic Receptacle with PC Tail Co-Ax Contacts
805-130 Dimensions

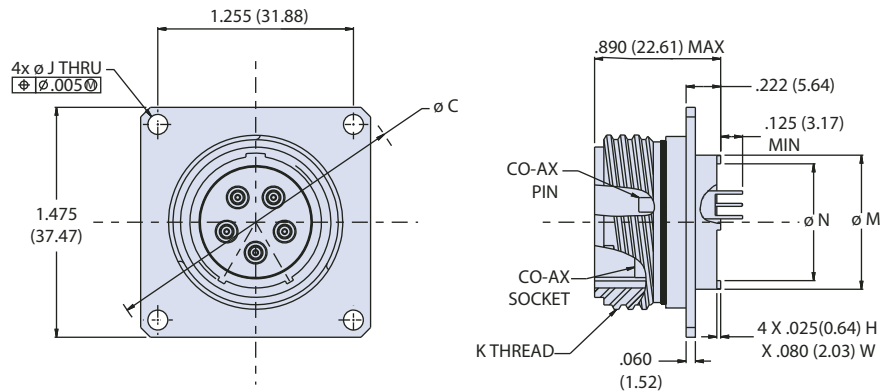


Series 805

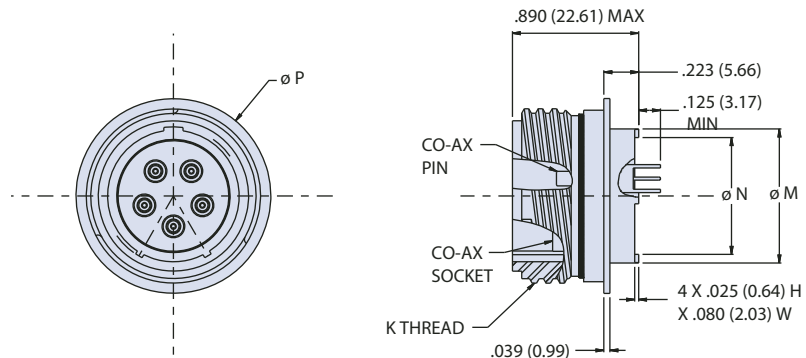
Jam nut, rear panel mount receptacle - shell style 07



Square flange, front or rear panel mount, thru-hole receptacle - shell style 02



Solder mount mount receptacle - shell style 03



Dimensions in Inches (millimeters) are subject to change without notice.



Series 805 Mighty Mouse Triple-Start ACME Thread Hermetic Receptacle with PC Tail Co-Ax Contacts

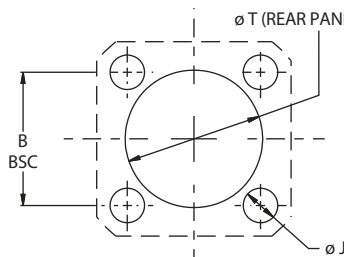
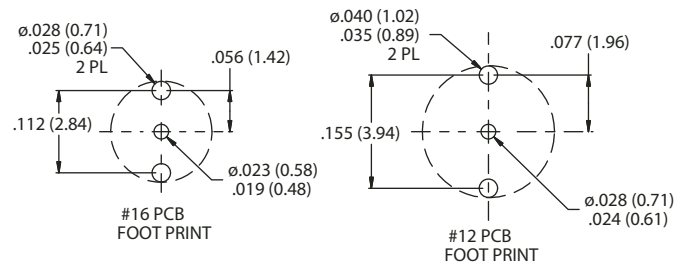
805-130 Dimensions

Dimensions												
Shell Size	A SQ	B BSC	Ø C	Ø D	E FLAT	F FLAT	J HOLES	K THREAD	L THREAD	Ø M	Ø N	Ø P
8	.850 (21.59)	.660 (16.76)	1.150 (29.21)	.760 (19.30)	.730 (18.54)	.535 (13.59)	.096 (2.44) .091 (2.31)	.5000-1P-.3L-TS	.5625-28 UN-2A	.330 (8.38)	.230 (5.84)	.625 (15.88)
9	.913 (23.19)	.723 (18.36)	1.230 (31.24)	.880 (22.35)	.850 (21.59)	.661 (16.79)		.5625-1P-.3L-TS	.6875-28 UN-2A	.432 (10.97)	.322 (8.18)	.688 (17.48)
10	.975 (24.76)	.785 (19.94)	1.330 (33.78)	.880 (22.35)	.850 (21.59)	.661 (16.79)		.6250-1P-.3L-TS	.6875-28 UN-2A	.493 (12.52)	.386 (9.80)	.750 (19.05)
11	1.039 (26.39)	.848 (21.54)	1.410 (35.81)	.955 (24.26)	.925 (23.50)	.721 (18.31)		.6875-1P-.3L-TS	.7500-28 UN-2A	.553 (14.05)	.442 (11.23)	.812 (20.62)
12	1.099 (27.91)	.909 (23.09)	1.500 (38.10)	1.060 (26.92)	1.035 (26.29)	.784 (19.91)		.7500-1P-.3L-TS	.8125-28 UN-2A	.620 (15.75)	.513 (13.03)	.875 (22.23)
13	1.163 (29.54)	.973 (24.71)	1.590 (40.39)	1.120 (28.45)	1.090 (27.69)	.843 (21.41)		.8125-1P-.3L-TS	.8750-28 UN-2A	.661 (16.79)	.554 (14.07)	.938 (23.83)
15	1.288 (32.72)	1.058 (26.87)	1.750 (44.45)	1.203 (30.56)	1.173 (29.79)	.970 (24.64)	.130 (3.30) .126 (3.20)	.9375-1P-.3L-TS	1.0000-28 UN-2A	.703 (17.86)	.594 (15.09)	1.062 (26.97)
18	1.475 (37.47)	1.255 (31.88)	2.000 (50.80)	1.389 (35.28)	1.359 (34.52)	1.147 (29.13)		1.1250-1P-.3L-TS	1.1875-28 UN-2A	.863 (21.92)	.750 (19.05)	1.250 (31.75)
19	1.537 (39.04)	1.327 (33.71)	2.094 (53.19)	1.450 (36.83)	1.420 (36.07)	1.221 (31.01)		1.1875-1P-.3L-TS	1.2500-28 UN-2A	.912 (23.16)	.805 (20.45)	1.312 (33.32)
21	1.663 (42.24)	1.452 (36.88)	2.270 (57.66)	1.580 (40.13)	1.550 (39.37)	1.350 (34.29)		1.3125-1P-.3L-TS	1.3750-28 UN-2A	1.017 (25.83)	.910 (23.11)	1.438 (36.53)
23	1.787 (45.39)	1.576 (40.03)	2.440 (61.98)	1.705 (43.31)	1.675 (42.55)	1.470 (37.34)		1.4375-1P-.3L-TS	1.5000-28 UN-2A	1.162 (29.51)	1.050 (26.67)	1.562 (39.67)

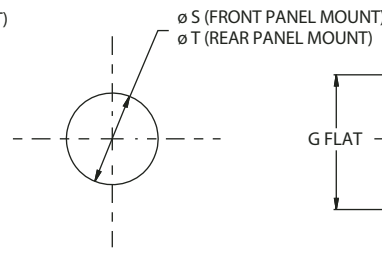
Jam-Nut Panel Cutout	
G FLAT	Ø H
.547 (13.89)	.575 (14.60)
.543 (13.79)	.571 (14.50)
.673 (17.09)	.700 (17.78)
.669 (16.99)	.696 (17.68)
.673 (17.09)	.700 (17.78)
.669 (16.99)	.696 (17.68)
.733 (18.62)	.762 (19.35)
.729 (18.52)	.758 (19.25)
.796 (2.22)	.825 (2.96)
.792 (2.12)	.821 (2.85)
.853 (21.67)	.887 (22.53)
.849 (21.56)	.883 (22.43)
.982 (24.94)	1.012 (25.70)
.978 (24.84)	1.008 (25.60)
1.159 (29.44)	1.200 (3.48)
1.155 (29.34)	1.196 (3.38)
1.233 (31.32)	1.262 (32.05)
1.229 (31.22)	1.258 (31.95)
1.360 (34.54)	1.387 (35.23)
1.356 (34.44)	1.383 (35.13)
1.482 (37.64)	1.512 (38.40)
1.478 (37.54)	1.508 (38.30)

Square Flange Panel Cutout		
Ø S MAX	Ø S MIN	Ø T ±.005
.365 (9.27)	.340 (8.64)	.510 (12.95)
.465 (11.81)	.440 (11.18)	.570 (14.48)
.525 (13.34)	.500 (12.70)	.635 (16.13)
.585 (14.86)	.560 (14.22)	.695 (17.65)
.655 (16.64)	.630 (16.00)	.760 (19.30)
.695 (17.65)	.670 (17.02)	.820 (20.83)
.735 (18.67)	.710 (18.03)	.945 (24.00)
.895 (22.73)	.870 (22.10)	1.135 (28.83)
.945 (24.00)	.920 (23.37)	1.195 (30.35)
1.050 (26.67)	1.025 (26.03)	1.320 (33.53)
1.195 (30.35)	1.170 (29.72)	1.445 (36.70)

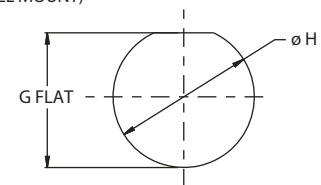
PCB Footprints



RECOMMENDED PANEL CUTOUT SHELL STYLE -02



RECOMMENDED PANEL CUTOUT SHELL STYLE -03



RECOMMENDED PANEL CUTOUT SHELL STYLE -07

Dimensions in Inches (millimeters) are subject to change without notice.

Series 805 Mighty Mouse Triple-Start ACME Thread PC Tail Co-Ax Contacts, with Threaded Standoff 805-132 Ordering Information



Series 805

Series 805 Hermetic Receptacles feature gold plated nickel-iron alloy contacts and compression glass dielectric material. Threaded standoff for board washout and robust attachment to PC board. Hermeticity less than 1×10^{-7} cc/second at 1 atmosphere. Stainless steel connector shell provides excellent corrosion protection. Rear panel mount square flange and jam-nut configurations available. Co-ax contacts available for size 12 and 16 contact arrangements only.

How To Order							
Sample Part Number	805-132	-07	Z1	15-5	C	A	-50
Series	805-132 = Hermetic Receptacle						
Shell Style (See Table I)	-02 = Square Flange Mount -07 = Jam -Nut, Rear Panel Mount						
Shell Material and Finish	Z1 = Stainless Steel / Passivated ZL = Stainless Steel / Nickel Plated						
Shell Size - Insert Arrangement	See Contact Arrangements page H-4 and H-5, Contact size 16 and 12 only						
Contact Type	C = P.C. Therm., Pin D = P.C. Therm., Socket						
Keyway Position (See Table II)	A = Pos. A B = Pos. B C = Pos. C D = Pos. D E = Pos. E F = Pos. F						
Nominal Impedance	50 = 50 OHM (#12 & 16) 75 = 75 OHM (#12 ONLY)						

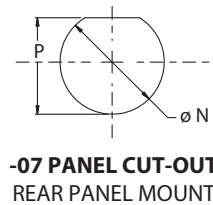
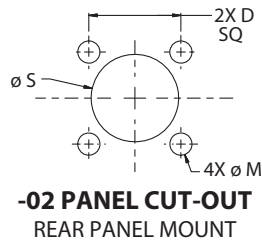
NOTES

- Performance Test Criteria:
 - Hermeticity: less than 1×10^{-7} ccHe/sec @ 1 atmosphere delta pressure
 - D.W.V.: per DWV rating table
 - I.R.: 5000 megohms Min @500 Vdc
- Receptacle mates with Glenair 805 style plug connectors with same size, polarization, and opposite contact gender.
- Combo arrangements available with #16 and #12 (no size #8). All #16 and #12 will be coax
- See PCB footprints referenced in section B, page 8.

Material/Finish

- Shell, jam-nut: CRES see part number development / N.A.
- Contacts hermetic: nickel alloy/gold plate
- Contacts, socket: copper alloy/gold plate
- Hood, sockets: CRES/passivate
- Insulator, hermetic: full glass / N.A.
- Insulator, socket: high-grade dielectric / N.A.
- Seals and o-rings: fluorosilicone blend / N.A.

Polarization		
Position	A°	B°
A	150°	210°
B	75°	210°
C	95°	230°
D	140°	275°
e	75°	275°
f	95°	210°



Panel Cutout Dimensions				
Shell Size	"ø N" Mounting Hole	"P" Mounting Flat	"ø R" ±.015	"ø S" THRU
8	.571 (14.50)	.543 (13.79)	.300 (7.62)	.515 (13.08)
9	.696 (17.68)	.669 (16.99)	.375 (9.52)	.577 (14.66)
10	.696 (17.68)	.669 (16.99)	.440 (11.18)	.640 (16.26)
11	.758 (19.25)	.729 (18.52)	.500 (12.70)	.702 (17.83)
12	.821 (20.85)	.792 (20.12)	.525 (13.34)	.765 (19.43)
13	.883 (22.43)	.849 (21.56)	.575 (14.60)	.828 (21.03)
15	1.008 (25.60)	.978 (24.84)	.615 (15.62)	.953 (24.21)
18	1.196 (30.38)	1.155 (29.34)	.765 (19.43)	1.140 (28.96)
19	1.258 (31.95)	1.229 (31.22)	.835 (21.21)	1.200 (30.48)
21	1.383 (35.13)	1.356 (34.44)	.930 (23.62)	1.328 (33.73)
23	1.508 (38.30)	1.478 (37.54)	1.065 (27.05)	1.453 (36.91)

DWV Rating	
Contact Sizes	Test Voltage
23	750 Vac
20 HD	1000 Vac
20, 16, 12, 8	1800 Vac
16 CO-AX**	800 Vac
12 CO-AX**	1000 Vac
**Inner contact to outer contact	

ØT ±.002 PC Tail	
Cont. Size	Tail Dia
23	.020 (0.51)
20	.030 (0.76)
16	.063 (1.60)
12	.094 (2.39)
8	.180 (4.57)

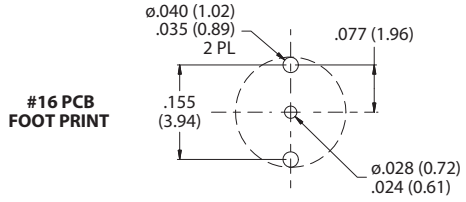
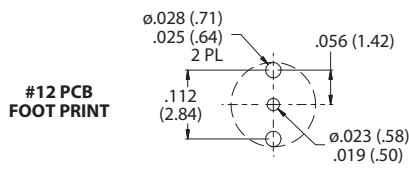
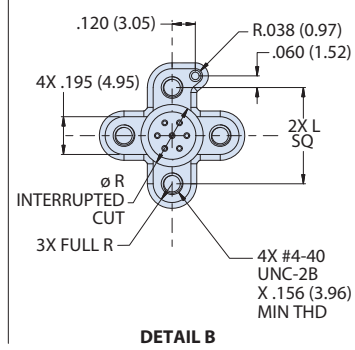
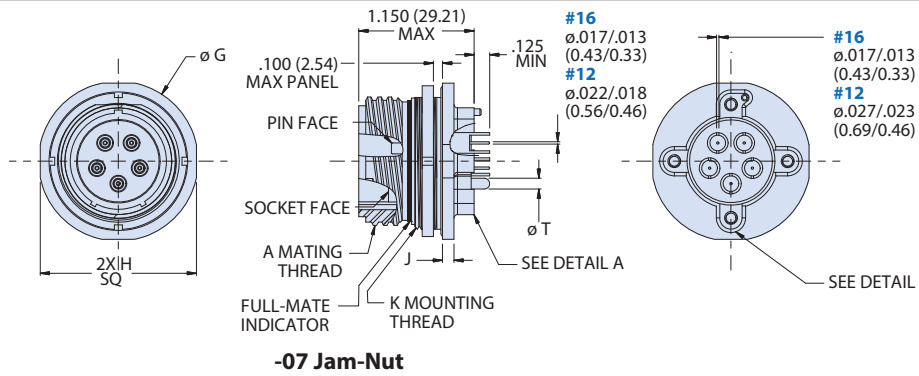
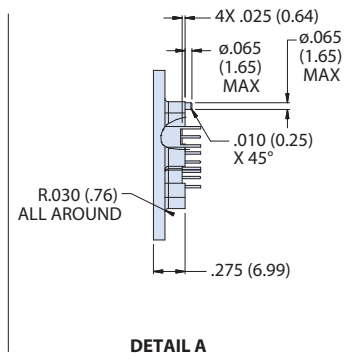
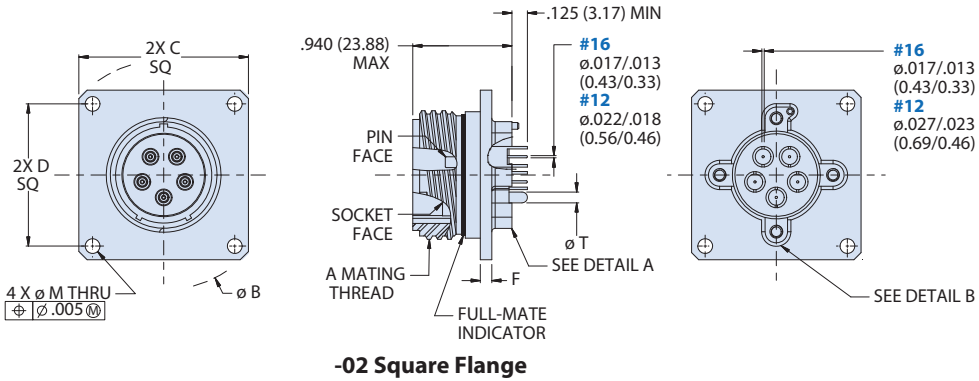
Shell Style	
-07 Jam-Nut, Rear Panel Mount	-02 Square Flange

Dimensions in Inches (millimeters) are subject to change without notice.



Series 805 Mighty Mouse Triple-Start ACME Thread PC Tail Co-Ax Contacts, with Threaded Standoff

805-132 Dimensions



Dimensions												
Shell Size	"A" Thread Mating -1P-.3L-TS-2A	"Ø B" Max Flange	"C" Sq Typ Flange Flats	"D" Sq Bsc Mounting Holes	"F" Max Flange	"Ø G" Flange	"H" Sq Flange Flats	"J" Max Flange	"K" Thread Mounting -28 UN-2A	"L" Board Mounting	"Ø M" Thru Mtg Holes	
8	.5000	1.150 (29.21)	.850 (21.59)	.660 (16.76)	.100 (2.54)	.760 (19.30)	.730 (18.54)	.100 (2.54)	.5625	.440 (11.18)	.096 (2.44)	
9	.5625	1.230 (31.24)	.913 (23.19)	.723 (18.36)		.880 (22.35)	.850 (21.59)		.6875	.515 (13.08)		
10	.6250	1.330 (33.78)	.975 (24.76)	.785 (19.94)		.925 (23.50)	.895 (22.73)		.6875	.580 (14.73)		
11	.6875	1.410 (35.81)	1.040 (26.42)	.848 (21.54)		.955 (24.26)	.925 (23.50)		.7500	.646 (16.41)		
12	.7500	1.500 (38.10)	1.099 (27.91)	.909 (23.09)		1.060 (26.92)	1.035 (26.29)		.8125	.734 (18.64)		
13	.8125	1.590 (40.39)	1.163 (29.54)	.973 (24.71)		1.120 (28.45)	1.090 (27.69)		.8750	.788 (20.02)		
15	.9375	1.750 (44.45)	1.288 (32.72)	1.058 (26.87)	1.203 (30.56)	1.173 (29.79)	1.0000	.830 (21.08)	.130 (3.30)			
18	1.1250	2.000 (50.80)	1.475 (37.47)	1.255 (31.88)	1.389 (35.28)	1.359 (34.52)	1.1875	.896 (22.76)				
19	1.1875	2.094 (53.19)	1.537 (39.04)	1.327 (33.71)	1.450 (36.83)	1.420 (36.07)	1.2500	1.059 (26.90)				
21	1.3125	2.270 (57.66)	1.663 (42.24)	1.452 (36.88)	1.580 (40.13)	1.550 (39.37)	1.3750	1.156 (29.36)				
23	1.4375	2.440 (61.98)	1.787 (45.39)	1.576 (40.03)	.125 (3.18)	1.705 (43.31)	1.675 (42.55)	.128 (3.25)		1.5000	1.284 (32.61)	.126 (3.20)
						1.705 (43.31)	1.675 (42.55)			1.5000	1.284 (32.61)	

Dimensions in Inches (millimeters) are subject to change without notice.

Series 805 Mighty Mouse Triple-Start ACME Thread Bulkhead Feed-Thru Receptacle

805-066 Shell Style -07 Dimensions

Jam-nut, rear panel mount - shell style 07

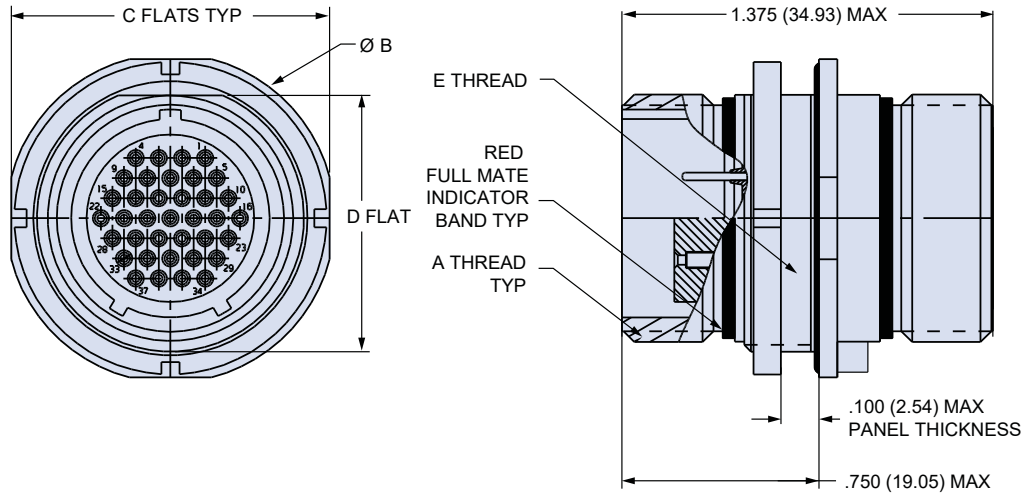


Table II: Dimensions

Shell Size	A Thread	Ø B	C Flat	D Flat	E Thread
8	.5000-1P-31L-TS	.760 (19.30)	.730 (18.54)	.535 (13.59)	.5625-28 UNEF-2A
9	.5625-1P-31L-TS	.880 (22.35)	.850 (21.59)	.661 (16.79)	.6875-28 UN-2A
10	.6250-1P-31L-TS	.880 (22.35)	.850 (21.59)	.661 (16.79)	.6875-28 UN-2A
11	.6875-1P-31L-TS	.955 (24.26)	.925 (23.50)	.721 (18.31)	.7500-28 UN-2A
12	.7500-1P-31L-TS	1.060 (26.92)	1.035 (26.29)	.784 (19.91)	.8125-28 UN-2A
13	.8125-1P-31L-TS	1.120 (28.45)	1.090 (27.69)	.843 (21.41)	.8750-28 UN-2A
15	.9375-1P-31L-TS	1.203 (30.56)	1.173 (29.79)	.970 (24.64)	1.0000-28 UN-2A
18	1.1250-1P-31L-TS	1.389 (35.28)	1.359 (34.52)	1.147 (29.13)	1.1875-28 UN-2A
19	1.1875-1P-31L-TS	1.450 (36.83)	1.420 (36.07)	1.221 (31.01)	1.2500-28 UN-2A
21	1.3125-1P-31L-TS	1.590 (40.39)	1.560 (39.62)	1.350 (34.29)	1.3750-28 UN-2A
23	1.4375-1P-31L-TS	1.705 (43.31)	1.675 (42.55)	1.470 (37.34)	1.5000-28 UN-2A

Material and finish

- Shell, jam-nut: aluminum alloy or CRES / see how to order table
- Insulators: liquid crystal polymer / N.A.
- Interfacial seal, O-ring, peripheral seal: fluorosilicone / N.A.
- Contact: copper alloy / gold plate per ASTM B 488, Type II, Code C, Class 1.25, over a suitable underplate

Jam-Nut Panel Cutout

Shell Size	H Flat	Ø J
8	.545 (13.84)	.572 (14.53)
	.541 (13.74)	.567 (14.40)
9	.671 (17.04)	.698 (17.73)
	.667 (16.94)	.693 (17.60)
10	.671 (17.04)	.698 (17.73)
	.667 (16.94)	.693 (17.60)
11	.731 (18.57)	.760 (19.30)
	.727 (18.47)	.755 (19.18)
12	.794 (20.17)	.822 (20.88)
	.790 (20.07)	.817 (20.75)
13	.851 (21.62)	.885 (22.48)
	.847 (21.51)	.881 (22.38)
15	.980 (24.89)	1.010 (25.65)
	.976 (24.79)	1.005 (25.53)
18	1.157 (29.39)	1.198 (30.43)
	1.153 (29.29)	1.193 (30.30)
19	1.231 (31.27)	1.260 (32.00)
	1.227 (31.17)	1.255 (31.88)
21	1.358 (34.49)	1.383 (35.13)
	1.354 (34.39)	1.381 (35.08)
23	1.480 (37.59)	1.510 (38.35)
	1.476 (37.49)	1.505 (38.23)

Dimensions in Inches (millimeters) are subject to change without notice.

Series 805 Mighty Mouse Triple-Start ACME Thread Hermetic, Bulkhead Feed-Thru Receptacle

805-127 Ordering Information

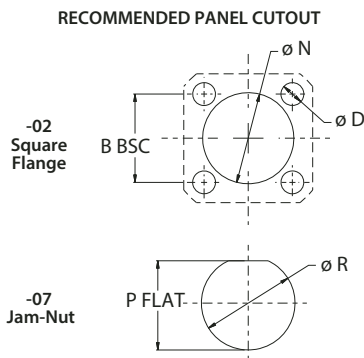


Series 805

Series 805 Hermetic Receptacles provides a separable hermetic connection on both sides of a mounting panel. Available in shell sizes 8 to 23. Mates with all high density triple-start threaded connectors with the same polarization and opposite contact genders (805-001 and 805-002). gold plated nickel-iron alloy contacts and compression glass dielectric material. Hermeticity less than 1×10^{-7} cc/second at 1 atmosphere. Stainless steel connector shell provides excellent corrosion resistance.

How To Order								
Sample Part Number	805-127	-07	Z1	15-37	P	S	A	01
Series	801-127 = Feed-thru							
Shell Style (See Table I)	-02 = Square Flange Mount -07 = Jam -Nut, Rear Panel Mount							
Shell Material and Finish	Z1 = Stainless Steel / Passivated ZL = Stainless Steel / Nickel Plated							
Shell Size - Insert Arrangement	See Contact Arrangements page E-2, Contact size 16 and 12 only							
Contact Type	Panel Side: P = Pin S = Socket Opposite Side: P = Pin S = Socket							
Polarization	A = Pos. A B = Pos. B C = Pos. C D = Pos. D E = Pos. E F = Pos. F							
Panel Accomodation	1, 2, 3; See panel accommodation table							

Panel Cutout Dimensions			
Shell Size	ø N	P FLAT	ø R
8	.520 (13.21)	.547 (13.89)	.575 (14.60)
	.510 (12.95)	.543 (13.79)	.571 (14.50)
9	.583 (14.81)	.673 (17.09)	.700 (17.78)
	.573 (14.55)	.669 (16.99)	.696 (17.68)
10	.645 (16.38)	.673 (17.09)	.700 (17.78)
	.635 (16.13)	.669 (16.99)	.696 (17.68)
11	.710 (18.03)	.733 (18.62)	.762 (19.35)
	.700 (17.78)	.729 (18.52)	.758 (19.25)
12	.770 (19.56)	.796 (20.22)	.825 (20.96)
	.760 (19.30)	.792 (20.12)	.821 (20.85)
13	.835 (21.21)	.853 (21.67)	.887 (22.53)
	.825 (20.96)	.849 (21.56)	.883 (22.43)
15	.960 (24.38)	.982 (24.94)	1.012 (25.70)
	.950 (24.13)	.978 (24.84)	1.008 (25.60)
18	1.145 (29.08)	1.159 (29.44)	1.200 (30.48)
	1.135 (28.83)	1.155 (29.34)	1.196 (30.38)
19	1.210 (30.73)	1.233 (31.32)	1.262 (32.05)
	1.200 (30.48)	1.229 (31.22)	1.258 (31.95)
21	1.335 (33.91)	1.360 (34.54)	1.387 (35.23)
	1.325 (33.65)	1.356 (34.44)	1.383 (35.13)
23	1.460 (37.08)	1.482 (37.64)	1.512 (38.40)
	1.450 (36.83)	1.478 (37.54)	1.508 (38.30)



Keyway Positions		
Position	A°	B°
A	150°	210°
B	75°	210°
C	95°	230°
D	140°	275°
E	75°	275°
F	95°	210°

NOTES

- Material/Finish
 - Shell and jam-nut: CRES see part number development / N.A.
 - Contacts, pin: nickel alloy/gold plate
 - Contacts, socket: copper alloy/gold plate
 - Hoods, socket: 300 CRES/passivate
 - Insulator, hermetic: full glass / N.A.
 - Insulator, sockets: rigid dielectric / N.A.
 - Seals and o-rings: fluorosilicone blend / N.A.
- Performance Test Criteria:
 - Hermeticity: less than 1×10^{-7} sccHe/sec @ 1 atmosphere delta
 - D.W.V.: per DWV rating table pin to pin or pin to shell without breakdown
 - I.R.: 5000 megohms @ 500 Vdc min
- For pin-pin or socket-socket feed-thru, power applied to one contact will result in poser to the contact directly opposite, regardless of contact identification
- Feed-thru mates with Glenair 805 style plug connectors with same size, polarization, and opposite contact gender.
- Overall lengths will increase by approximately .50" for #8 contact arrangements
- Standard arrangements with signal/power contacts only. Consult factory for special contacts (Co-Ax, Quadrax, Thermocouples, etc)

DWV Rating	
Contact Sizes	Test Voltage
23	750 Vac
20 HD	1000 Vac
20, 16, 12, 8	1800 Vac

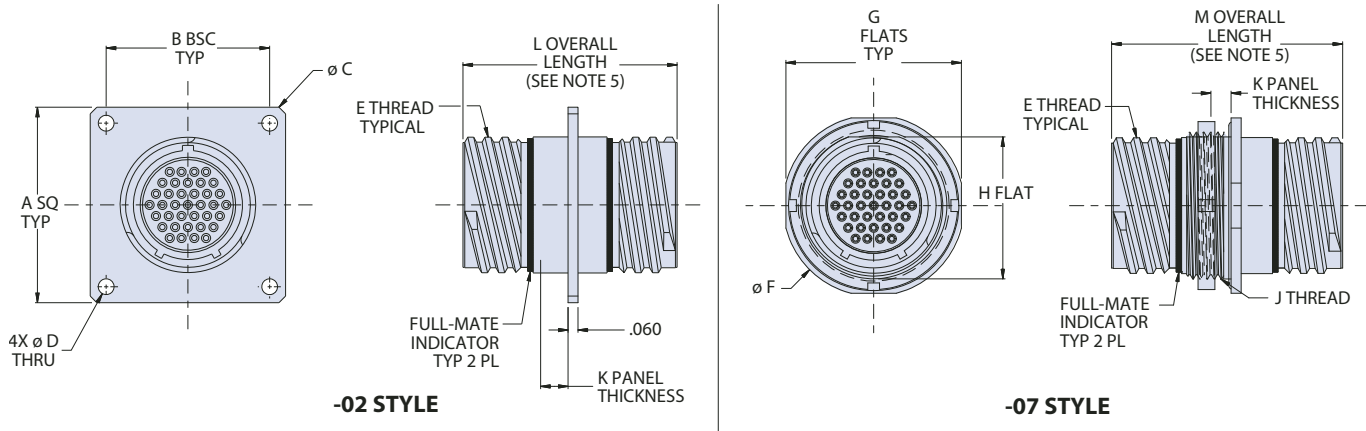
Shell Style	
-07 Jam-Nut, Rear Panel Mount	-02 Square Flange

Dimensions in Inches (millimeters) are subject to change without notice.

Series 805 Mighty Mouse Triple-Start ACME Thread Hermetic, Bulkhead Feed-Thru Receptacle

805-127-07 Dimensions

Jam-nut, rear panel mount - shell style 07



Dimensions									
Shell Size	A Sq.	B Bsc	Ø C	Ø D Thru Holes	E Thread	Ø F	G Flat	H Flat	J Thread
8	.850 (21.59)	.660 (16.76)	1.150 (29.21)	.096 (2.44) .091 (2.31)	.5000-.1P-.3L-TS	.760 (19.30)	.730 (18.54)	.535 (13.59)	.5625-28 UNEF-2A
9	.913 (23.19)	.723 (18.36)	1.230 (31.24)	.096 (2.44) .091 (2.31)	.5625-.1P-.3L-TS	.880 (22.35)	.850 (21.59)	.661 (16.79)	.6875-28 UN-2A
10	.975 (24.76)	.785 (19.94)	1.330 (33.78)	.096 (2.44) .091 (2.31)	.6250-.1P-.3L-TS	.880 (22.35)	.850 (21.59)	.661 (16.79)	.6875-28 UN-2A
11	1.039 (26.39)	.848 (21.54)	1.410 (35.81)	.096 (2.44) .091 (2.31)	.6875-.1P-.3L-TS	.955 (24.26)	.925 (23.50)	.721 (18.31)	.7500-28 UN-2A
12	1.099 (27.91)	.909 (23.09)	1.500 (38.10)	.096 (2.44) .091 (2.31)	.7500-.1P-.3L-TS	1.060 (26.92)	1.035 (26.29)	.784 (19.91)	.8125-28 UN-2A
13	1.163 (29.54)	.973 (24.71)	1.590 (40.39)	.096 (2.44) .091 (2.31)	.8125-.1P-.3L-TS	1.120 (28.45)	1.090 (27.69)	.843 (21.41)	.8750-28 UN-2A
15	1.288 (32.72)	1.058 (26.87)	1.750 (44.45)	.130 (3.30) .126 (3.20)	.9375-.1P-.3L-TS	1.203 (30.56)	1.173 (29.79)	.970 (24.64)	1.0000-28 UN-2A
18	1.475 (37.47)	1.255 (31.88)	2.000 (50.80)	.130 (3.30) .126 (3.20)	1.1250-.1P-.3L-TS	1.389 (35.28)	1.359 (34.52)	1.147 (29.13)	1.1875-28 UN-2A
19	1.537 (39.04)	1.327 (33.71)	2.094 (53.19)	.130 (3.30) .126 (3.20)	1.1875-.1P-.3L-TS	1.450 (36.83)	1.420 (36.07)	1.221 (31.01)	1.2500-28 UN-2A
21	1.663 (42.24)	1.452 (36.88)	2.270 (57.66)	.130 (3.30) .126 (3.20)	1.3125-.1P-.3L-TS	1.580 (40.13)	1.550 (39.37)	1.350 (34.29)	1.3750-28 UN-2A
23	1.787 (45.39)	1.576 (40.03)	2.440 (61.98)	.130 (3.30) .126 (3.20)	1.4375-.1P-.3L-TS	1.705 (43.31)	1.675 (42.55)	1.470 (37.34)	1.5000-28 UN-2A

Panel Accomodation			
Sym	K Dim, Panel	L Dim, Oal	M Dim, Oal
-1	.125/.062	1.285 MAX	1.400 MAX
-2	.250/.062	1.410 MAX	1.525 MAX
-3	.500/.062	1.660 MAX	1.775 MAX

Dimensions in Inches (millimeters) are subject to change without notice.

Series 805 Mighty Mouse Triple-Start ACME Thread Sav-Con® Saver

805-010 Ordering Information



Series 805



Glenair Sav-Con® Connector Savers are designed to protect connectors that are subject to repeated mating and unmating cycles. Sav-Con® Connector Savers prevent costly repair or replacement of expensive connectors while preserving the quality and integrity of the connector by absorbing connect and disconnect abuse.

Protect Equipment, equipment connectors that are mated frequently during manufacturing, test, check-out phases and environmental test programs can be protected by Glenair Sav-Con® Connector Savers.

Prolong the Service Life of Test Cables Glenair Sav-Con® Connector Savers mated to test-cable connectors take the punishment of repetitive matings and unmatings.

How To Order					
Sample Part Number	805-010	Z1	8-7	P	A
Series	805-010 = Series 805 Connector Saver				
Shell Material and Finish	C = Aluminum / Black Anodize (Non-Conductive); RoHS Compliant M = Aluminum / Electroless Nickel; RoHS Compliant MT = Aluminum / Nickel-PTFE RoHS Compliant NF = Aluminum / Cadmium with Olive Drab Chromate ZNU = Aluminum / Zinc-Nickel with Black Chromate Z1 = Stainless Steel / Passivated; RoHS Compliant				
Shell Size - Insert Arrangement	See Contact Arrangements Page H-2				
Contact Type * (Jam-Nut Side)	P = Pin on Plug Side, Socket Contact on Receptacle Side PP = Pin on Both Sides S = Socket Contact on Plug Side, Pin Contact on Receptacle Side SS = Socket on Both Sides				
Shell Key Position (See Table I)	A = Normal B = Pos. B C = Pos. C D = Pos. D E = Pos. E F = Pos. F				

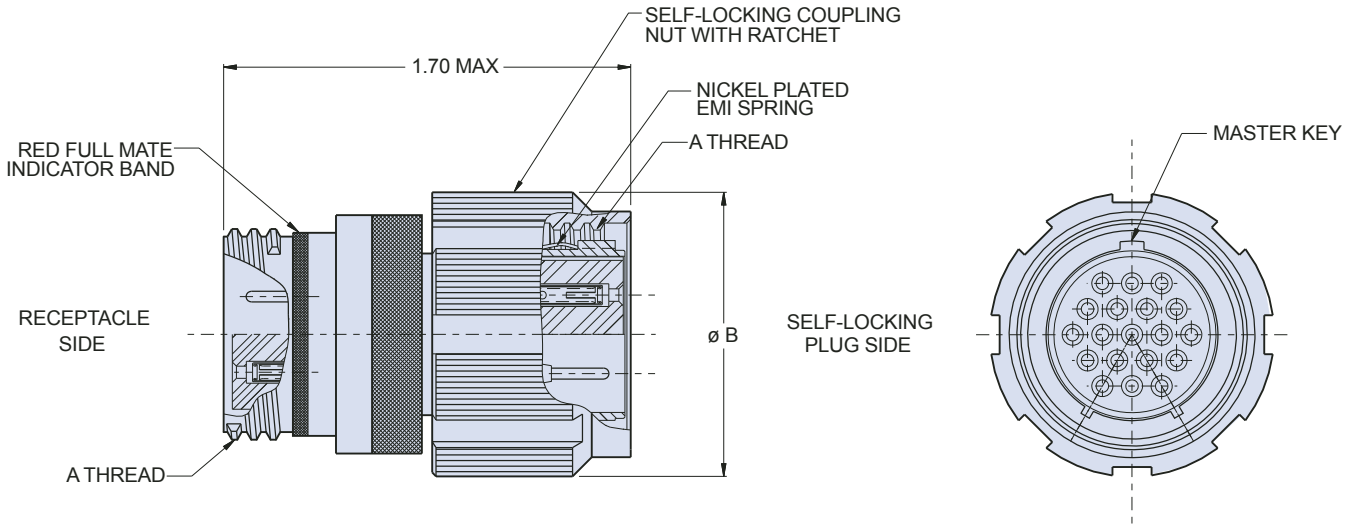
Key Position	Key Rotation	
	A	B
A (Normal)	150°	210°
B	75°	210°
C	95°	230°
D	140°	275°
E	75°	275°
F	95°	210°

NOTES

1. Current Rating: #23 5 A, #16 13 A, #12 23 A
2. Dielectric Withstanding Voltage:
#23 750 VAC, #20HD 1000 VAC, #12 and #16 1800 VAC
3. Insulation Resistance: 5000 megohms minimum
4. Operating Temperature: -65° C. to +175° C.
5. Shock: 300 g.
6. Vibration: 37 g.
7. Shielding Effectiveness: 65 dB minimum from 1GHz to 10GHz.
8. Magnetic Permeability: 2.0 μ maximum
9. Durability: 500 mating cycles

Dimensions in Inches (millimeters) are subject to change without notice.

Sav-Con® Connector Saver



Dimensions		
Shell Size	A Threads	Ø B
8	.5000-1P-.3L-TS	.692 (17.58)
9	.5625-1P-.3L-TS	.789 (20.04)
10	.6250-1P-.3L-TS	.827 (21.01)
11	.6875-1P-.3L-TS	.918 (23.32)
12	.7500-1P-.3L-TS	.984 (24.99)
13	.8125-1P-.3L-TS	1.047 (26.59)
15	.9375-1P-.3L-TS	1.098 (27.89)
18	1.1250-1P-.3L-TS	1.287 (32.69)
19	1.1875-1P-.3L-TS	1.311 (33.30)
21	1.3125-1P-.3L-TS	1.448 (36.78)
23	1.4375-1P-.3L-TS	1.562 (39.67)

Materials and Finishes

- Shell: Aluminum alloy or stainless steel
- Contacts: Copper alloy, 50 µinch gold plated
- Insulators: High-grade rigid dielectric
- Seal: Fluorosilicone rubber
- Ground Spring: Nickel-plated beryllium copper

Series 805 Mighty Mouse Triple-Start ACME Thread Shielded Overmolded Harsh Environment Cordsets

General Information



Series 805

Series 805 Harsh Environment Shielded Cordsets



High performance Mighty Mouse cordsets feature easy ordering and fast delivery. These fully shielded and watertight assemblies withstand abrasion, temperature extremes and chemicals. Flexible overmolding provides rugged, watertight protection to wire and shield. Two styles are available: **Style 1** polyamide overmold and polyurethane cable jacket, and **Style 2** improved temperature range, high flexibility thermoplastic rubber overmold and cable jacket. Overmolded Mighty Mouse cordsets are suitable for military gear and other hostile environments where interconnect reliability and survivability is essential.

Product Features

- Single-ended or double-ended
- Rugged, watertight construction
- 100% electrically tested
- Flexible to -55°C. (Style 2)
- Stainless steel shield termination band
- Resistant to chemicals
- Withstands UV and ozone

Harsh Environment Cordset Selection Guide

Property	Style 1 Polyurethane Jacket Polyamide Overmold	Style 2 Rubber Jacket Rubber Overmold
Cable jacket	Thermoplastic polyurethane (TPU), black	Thermoplastic elastomer (TPV), black
Overmold	Polyamide, black	Thermoplastic elastomer (TPV), black
Operating temperature	-30° C. to +105° C.	-55° C. to +135° C.
Flexibility	Good	Excellent
Water Resistance	Waterproof	Waterproof
Solvent Resistance, Cable Jacket	Excellent	Good
Solvent Resistance, Overmold	Fair (1)	Good
Weatherability	Excellent	Excellent
Abrasion Resistance	Excellent	Good
Flammability	Flame retardant UL 94 V-0	Flame retardant UL 94 HB
Low Smoke, Zero Halogen Cable Jacket	Yes	No
(1) Excellent resistance to most solvents, fuels, and oils; poor resistance to strong acids and bipolar solvents (alcohol)		

Specifications

Cable jacket	Style 1: thermoplastic polyurethane, black, low-smoke, zero-halogen Style 2: thermoplastic elastomer, black
Overmold	Style 1: polyamide Style 2: thermoplastic elastomer, black
Cable shield	Tin-coated copper braid, 90% minimum coverage
Conductors	Silver coated stranded wire, TFE insulated, per M22759/11
Shield Termination	Band-Master™ ATS stainless steel shield termination band
Current rating	#23 5 amps, #20 7.5 amps, #16 13 amps, #12 23 amps
Test voltage (DWV)	500 Vac
Insulation resistance	200 Megohms minimum
Shielding effectiveness	50 dB minimum from 100MHz to 1000MHz.

High-Speed Cordsets

Controlled impedance twisted pair cordsets for Ethernet, USB and other protocols are available. Please refer to Section U

Dimensions in Inches (millimeters) are subject to change without notice.

© 2014 Glenair, Inc.

Series 80 Mighty Mouse

U.S. CAGE Code 06324

Printed in U.S.A.

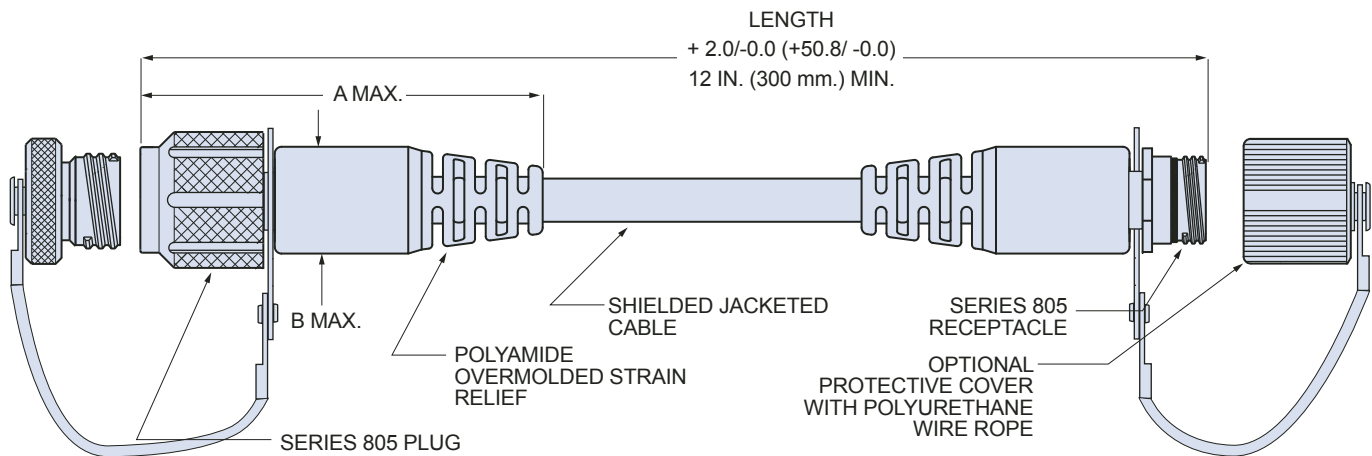
GLENAIR, INC. • 1211 AIR WAY • GLENDALE, CA 91201-2497 • 818-247-6000 • FAX 818-500-9912
www.glenair.com H-51 E-Mail: sales@glenair.com

Rev. 04.16.18

H

Series 805 Mighty Mouse Triple-Start ACME Thread Shielded Overmolded Harsh Environment Cordsets

Dimensions



Dimensions				
Shell Size	A Max.		B Max.	
	In.	mm.	In.	mm.
8	2.62	66.55	0.5	12.70
9	2.70	68.58	0.55	13.97
10	2.80	71.12	0.65	16.51
11	2.80	71.12	0.65	16.51
12	2.90	73.66	0.71	18.03
15	3.10	78.74	0.82	20.83
18	3.42	86.87	1.1	27.94
19	3.42	86.87	1.1	27.94

NOTES

1. Double-ended cordsets are wired pin #1 to pin #1, #2 to #2, and so on.
2. Wires are silver-coated stranded copper with TFE insulation, 600V, in accordance with M22759/11.
3. Wire color is IAW MIL-STD-681 for cables containing 10 wires or less. For cable containing more than 10 wires, wire color is white.

Series 805 Mighty Mouse Triple-Start ACME Thread Shielded Overmolded Harsh Environment Cordsets

805-009, -018, -062, -063 Ordering Information



Series 805

Series 805 Cordsets with #23 Contacts								
Sample Part Number								
805-009	-A	C	2	M	8-28	N	A	-36
Series	End A Connector	End B Connector	Wire Size	Shell Material/ Finish	Insert Arr.	Protective Cover	Shell Key Pos.	Length
805-009 Style 1 Polyurethane Cable Jacket, Polyamide Overmold	-A Plug, with Male Pin Contacts	A Plug, with Male Pin Contacts	2 #22 AWG	M Aluminum / Electroless Nickel	See Insert Arr. page H-3	P Metal Protective Covers Included	A Normal	Overall Length In Inches 12 Inch Min.
	-B Plug, with Female Socket Contacts	B Plug, with Female Socket Contacts	4 #24 AWG	NF Aluminum / Cadmium with OD Chromate		N No Covers Supplied	B Pos. B	
805-062 Style 2 Rubber Cable Jacket and Overmold	-C Receptacle, with Male Pin Contacts	C Receptacle, with Male Pin Contacts		ZNU Aluminum / Zinc-Nickel with Black Chromate			C Pos. C	
	-D Receptacle, with Female Socket Contacts	D Receptacle, with Female Socket Contacts		MT Aluminum / Nickel-PTFE			D Pos. D	
		N No Connector (Single-Ended)		Z1 Stainless Steel / Passivated			E Pos. E F Pos. F	
							See key positions on page H-5	

Series 805 Cordsets with #20HD Contacts								
Sample Part Number								
805-063	-A	C	0	M	8-28	N	A	-36
Series	End A Connector	End B Connector	Wire Size	Shell Material / Finish	Insert Arr.	Protective Cover	Shell Key Pos.	Length
805-018 Style 1 Polyurethane Cable Jacket, Polyamide Overmold	-A Plug, with Male Pin Contacts	A Plug, with Male Pin Contacts	0 #20 AWG	M Aluminum / Electroless Nickel	See Insert Arr. page H-3	P Metal Protective Covers Included	A Normal	Overall Length In Inches 12 Inch Min.
	-B Plug, with Female Socket Contacts	B Plug, with Female Socket Contacts	2 #22 AWG	NF Aluminum / Cadmium with OD Chromate		N No Covers Supplied	B Pos. B	
805-063 Style 2 Rubber Cable Jacket and Overmold,	-C Receptacle, with Male Pin Contacts	C Receptacle, with Male Pin Contacts		ZNU Aluminum / Zinc-Nickel with Black Chromate			C Pos. C	
	-D Receptacle, with Female Socket Contacts	D Receptacle, with Female Socket Contacts		MT Aluminum / Nickel-PTFE			D Pos. D	
		N No Connector (Single-Ended)		Z1 Stainless Steel / Passivated			E Pos. E F Pos. F	
							See key positions on page H-5	



Dimensions in Inches (millimeters) are subject to change without notice.



Series 805 Mighty Mouse Triple-Start ACME Thread Shielded Overmolded Harsh Environment Cordsets

805-015, 016, -064 and -065 Ordering Information

Series 805 Cordsets with #16 Contacts								
Sample Part Number								
805-015	-A	C	6	M	8-28	N	A	-36
Series	End A Connector	End B Connector	Wire Size	Shell Material/ Finish	Insert Arr.	Protective Cover	Shell Key Pos.	Length
805-015 Style 1 Polyurethane Cable Jacket, Polyamide Overmold	-A Plug, with Male Pin Contacts -B Plug, with Female Socket Contacts	A Plug, with Male Pin Contacts B Plug, with Female Socket Contacts	6 #16 AWG 8 #18 AWG	M Aluminum / Electroless Nickel NF Aluminum / Cadmium with OD Chromate ZNU Aluminum / Zinc- Nickel with Black Chromate MT Aluminum / Nickel-PTFE Z1 Stainless Steel / Passivated	Available in Shell Sizes 8 Thru 19 See Cont. Arr. Page H-3	P Metal Protective Covers Included N No Covers Supplied	A Normal B Pos. B C Pos. C D Pos. D E Pos. E F Pos. F See key positions on page H-5	Overall Length In Inches 12 Inch Min.
805-064 Style 2 Rubber Cable Jacket and Overmold	-C Receptacle, with Male Pin Contacts -D Receptacle, with Female Socket Contacts	C Receptacle, with Male Pin Contacts D Receptacle, with Female Socket Contacts N No Connector (Single-Ended)						

Series 805 Cordsets with #12 Contacts								
Sample Part Number								
805-065	-A	C	2	M	8-28	N	A	-36
Series	End A Connector	End B Connector	Wire Size	Shell Material / Finish	Insert Arr.	Protective Cover	Shell Key Pos.	Length
805-016 Style 1 Polyurethane Cable Jacket, Polyamide Overmold	-A Plug, with Male Pin Contacts -B Plug, with Female Socket Contacts	A Plug, with Male Pin Contacts B Plug, with Female Socket Contacts	2 #12 AWG 4 #14 AWG	M Aluminum / Electroless Nickel NF Aluminum / Cadmium with OD Chromate ZNU Aluminum / Zinc- Nickel with Black Chromate MT Aluminum / Nickel-PTFE Z1 Stainless Steel / Passivated	Available in Shell Sizes 8 Thru 19 See Cont. Arr. Page H-3	P Metal Protective Covers Included N No Covers Supplied	A Normal B Pos. B C Pos. C D Pos. D E Pos. E F Pos. F See key positions on page H-5	Overall Length In Inches 12 Inch Min.
805-065 Style 2 Rubber Cable Jacket and Overmold,	-C Receptacle, with Male Pin Contacts -D Receptacle, with Female Socket Contacts	C Receptacle, with Male Pin Contacts D Receptacle, with Female Socket Contacts N No Connector (Single-Ended)						

Dimensions in Inches (millimeters) are subject to change without notice.

Series 805 Ultraflexible “Phantom Cable” Cordsets



Phantom Cable cordsets feature high-flex rubber-insulated wires, lightweight shield and overbraided jackets for maximum flexibility, reduced size and minimum weight. Flexible rubber overmold provides strain relief and environmental sealing. EMI shield options include high-strength, ultralightweight Amberstrand® nickel-coated composite braid, ArmorLite™ or lightweight, high flexibility tinned copper braid. Braid outer jackets are available with NOMEX®, HALAR® or PTFE-coated fiberglass.

Product Features

- Overbraided cable jacket for excellent flexibility
- Ultra-lightweight AmberStrand® EMI shield
- 100% electrically tested
- Flexible to -55°C.
- Stainless steel shield termination band

Application Note

Overbraided textile jackets are ideal for applications where flexibility and weight are important. However, water can penetrate through the jacket and cable shield. Dust and contamination can also become entrapped in the braid. Braided jackets are prone to fraying damage caused by snagging on velcro closures and MOLLE vests. Extruded cable jackets are recommended if debris entrapment, moisture ingress or fraying damage are concerns.

Braid Shield Selection Guide			
Property	Amberstrand®	Armorlite®	Copper
Type	nickel-coated high-strength super fiber	Micro-filament nickel-coated stainless steel	Tin-coated copper
Weight/ft. (0.5 in. ID)	3.7 grams	4.4 grams	22.3 grams
Operating Temp(1)	-65° C to +200° C	-80° C to +260° C	-80° C to +150° C
Coverage	90% min.	90% min.	90% min.
Flexibility	Excellent	Excellent	Good
Cost Comparison	\$\$\$	\$\$	\$

(1) Rubber wires and rubber overmold are rated for -55° C to +135° C.

Jacket Selection Guide			
Property	NOMEX®	HALAR®	PTFE Coated Fiberglass
Color	Black or olive drab	Black	Tan
Operating Temp(1)	-55° C to +260° C	-73° C to +150° C	-75° C to +300° C
Chemical Resistance	Excellent	Excellent	Excellent
Flammability	Self-extinguishing, will not melt	Fire retardant UL VW-1	Self-extinguishing
Toxicity	Non-toxic	Non-toxic	Non-toxic
Flexibility	Excellent	Excellent	Excellent
Abrasion resistance	Excellent	Excellent	Excellent

(1) Rubber wires and rubber overmold are rated for -55° C to +135° C.

Specifications	
Cable jacket	NOMEX®, HALAR® or PTFE-coated fiberglass
Temperature Range	-55° C to +135° C
Overmold	Thermoplastic elastomer, black
Cable shield	AmberStrand®, ArmorLite® or tinned copper, 90% minimum coverage
Conductors	Silver coated stranded wire, rubber insulation
Shield Termination	Band-Master™ ATS stainless steel shield termination band
Current rating	5 amps
Test voltage (DWV)	500 Vac
Insulation resistance	200 Megohms minimum
Shielding effectiveness	50 dB minimum from 100MHz to 1000MHz.

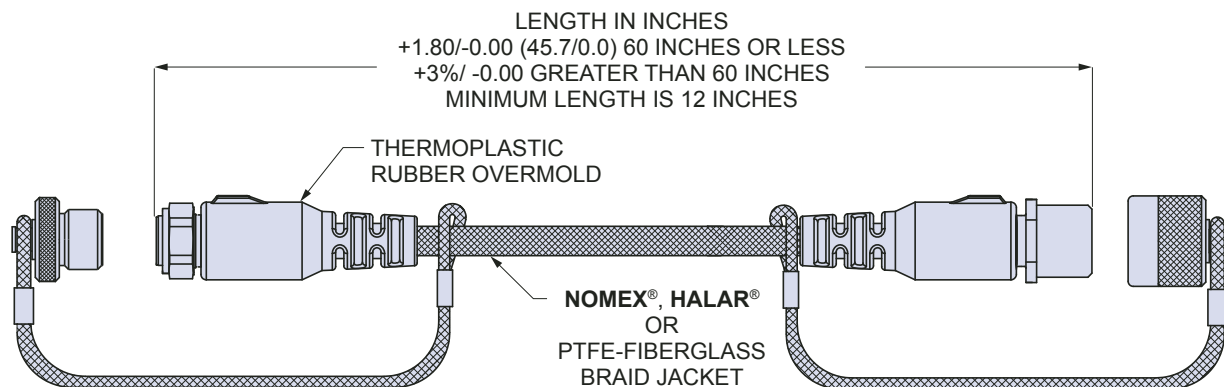
Dimensions in Inches (millimeters) are subject to change without notice.



Series 805 Mighty Mouse Triple-Start ACME Thread Flexible, Lightweight Phantom Cable Cordsets

805-057, 058, 059 and -060 Ordering Information

Series 805 "Phantom Cable" Cordsets size #12 thru #23 Contacts										
Sample Part Number										
805-027	-B	N	2	Z1	5-3	N	A	-60	C	N
Series	End A Connector	End B Connector	Wire Size	Shell Material/ Finish	Insert Arr.	Protective Cover	Shell Key Pos.	Length	Shield Option	Jacket Option
Size #23 Contacts 805-057 Phantom Cable Cordset	-A Plug, with Male Pin Contacts	A Plug, with Male Pin Contacts	Size #23 Contacts 4 #24 AWG 6 #26 AWG 8 #28 AWG	M Aluminum / Electroless Nickel NF Aluminum / Cadmium with OD Chromate ZNU	Available in Shell Sizes 8 Thru 19 See Cont. Arr. Page H-3	P Metal Protective Covers Included N No Covers Supplied	A Normal B Pos. B C Pos. C D Pos. D E Pos. E F Pos. F	Overall Length In Inches 12 Inch Min.	A Amberstrand B Armorlite C Tin-Coated Copper	D Nomex, Olive Drab N Nomex, Black H Halar (Monofil) P Peek (Monofil)
Size #20 HD Contacts 805-058 Phantom Cable Cordset	-C Rec. with Male Pin Contacts	C Rec. with Male Pin Contacts	Size #20 HD Contacts 0 #20 AWG 2 #22 AWG	Aluminum / Zinc-Nickel with Black Chromate MT			See key positions on page H-5			
Size #16 Contacts 805-059 Phantom Cable Cordset	-D Rec. with Female Socket Contacts	D Rec. with Female Socket Contacts N No Connector (Single-Ended)	Size #16 Contacts 6 #16 AWG 8 #18 AWG	Z1 Stainless Steel / Passivated						
Size #12 Contacts 805-060 Phantom Cable Cordset			Size #12 Contacts 2 #12 AWG 4 #14 AWG							



NOTES

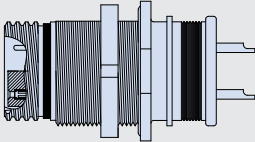
1. Double-ended cordsets are wired pin #1 to pin #1, #2 to #2, and so on.
2. Wires are silver-coated stranded copper with TPE insulation, 600V, UL VW-1 rated.
3. Wire color is IAW MIL-STD-681 for cables containing 10 wires or less. For cable containing more than 10 wires, wire color is white.

Dimensions in Inches (millimeters) are subject to change without notice.

Series 80 Mighty Mouse Filter Connector Table of Contents and Introduction



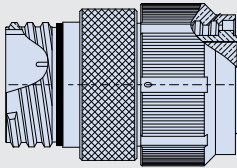
PRODUCT SELECTION GUIDE



Series 801 Mighty Mouse Filter Connector

High Density, Quick Coupling Threads, Square Flange or Jam Nut

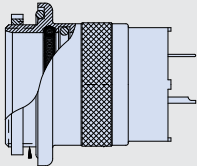
Page J-8



Series 801 Mighty Mouse Filter Connector Adapter

High Density, Quick Coupling Threads

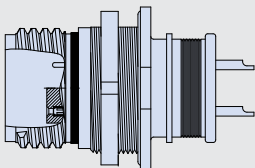
Page J-12



Series 804 Mighty Mouse Filter Connector

Jam Nut Receptacle, Push-Pull Quick Disconnect

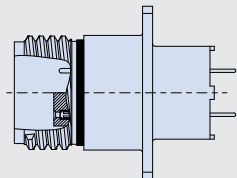
Page J-15



Series 805 Mighty Mouse Filter Connector

Receptacles with Triple-Start ACME Coupling Threads, Square Flange or Jam Nut with Solder Cup Contacts and Banding Platform

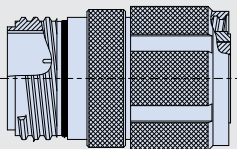
Page J-16



Series 805 Mighty Mouse Filter Connector

Receptacles with Triple-Start ACME Coupling Threads, PCB Contacts

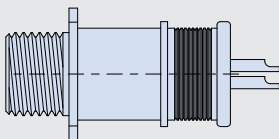
Page J-17



Series 805 Mighty Mouse Filter Connector Adapter

with Triple-Start ACME Coupling Threads

Page J-20



Series 800 Mighty Mouse Filter Connector

Receptacles with UN Mating Threads, Square Flange or Jam Nut

Page J-22

Dimensions in inches (millimeters) and are subject to change without notice.

© 2014 Glenair, Inc.

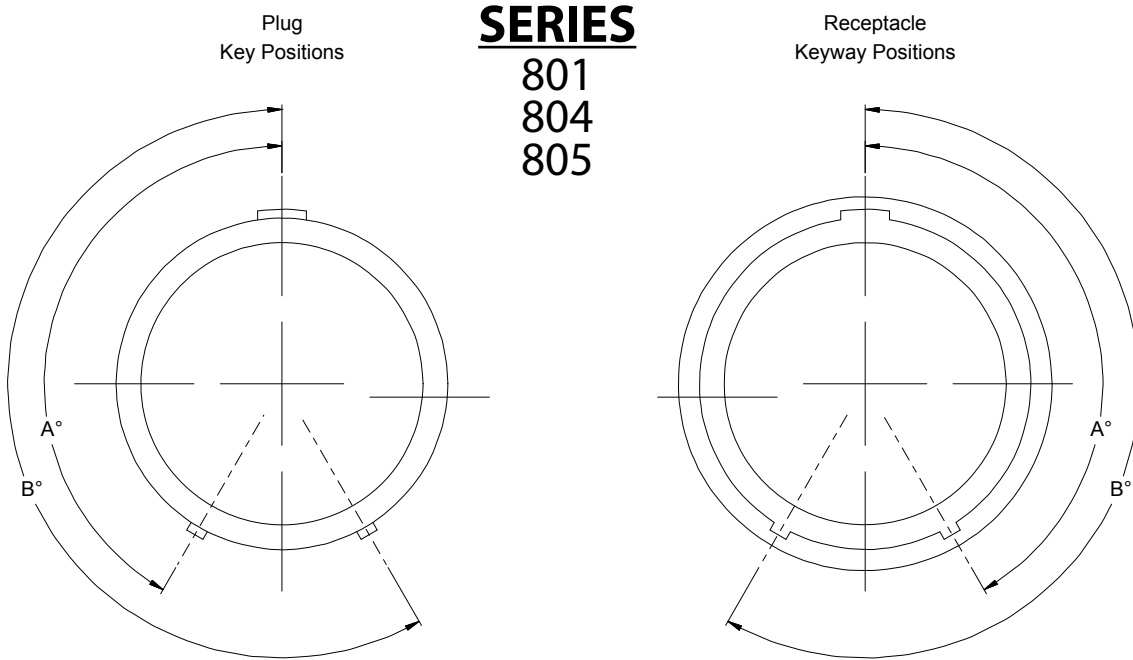
Series 80 Mighty Mouse

U.S. CAGE Code 06324

Printed in U.S.A.



Series 80 Mighty Mouse Filter Connector Normal and Alternate Key Positions



Series 80 Mighty Mouse Alternate Key Positions			
Key Position	Notes	A°	B°
A	Normal	150°	210°
B	Alternate #1	75°	210°
C	Alternate #2	95°	230°
D	Alternate #3	140°	275°
E	Alternate #4	75°	275°
F	Alternate #5	95°	210°
U	Universal	-	-

Dimensions in inches (millimeters) and are subject to change without notice.

Series 80 Mighty Mouse Filter Connector Contact Arrangements



Series 80 Mighty Mouse Contact Arrangements								
Contact Size	Contact Quantity					Contact Arrangements		
	#23	#20	#20Hd	#16	#12	Series 801	Series 804	Series 805
Size #23 Contacts 5 Amp Max	3					5-3	5-3	N/A
	4					6-4	6-4	8-4
	6					6-6	6-6	8-6
	7					6-7	6-7	8-7
	10					7-10	7-10	9-10
	13					8-13	8-13	10-13
	19					9-19	9-19	11-19
	26					10-26	10-26	12-26
	31					11-31	11-31	13-31
	37					13-37	12-37	15-37
	55					16-55	14-55	18-55
	85					17-85	N/A	19-85
	100					19-100	N/A	21-100
130					21-130	N/A	23-130	
Size #20HD Contacts 7.5 Amp Max			3			6-23	6-23	8-23
			5			7-25	7-25	9-25
			8			8-28	8-28	10-28
			10			9-210	9-210	11-210
			20			13-220	12-220	15-220
			35			16-235	14-235	18-235
			41			17-241	N/A	19-241
			55			19-255	N/A	21-255
Size #16 Contacts 13 Amp Max				1		6-1	6-1	8-1
				2		8-2	8-2	10-2
				4		9-4	9-4	11-4
				5		10-5	10-5	12-5
				7		13-7	12-7	15-7
				12		16-12	14-12	18-12
				14		17-14	N/A	19-14
				19		19-19	N/A	21-19
Size #12 Contacts 23 Amp Max					1	7-1	7-1	9-1
					2	10-2	10-2	12-2
					2	13-2	12-2	15-2
					3	13-3	12-3	15-3
					5	16-5	14-5	18-5
					7	17-7	N/A	19-7
					12	21-12	N/A	23-12
Mixed Size "Combo" Layouts	4	2				8-200	8-200	10-200
	8	2				9-201	9-201	11-201
	4			2		9-200	9-200	11-200
	8			2		10-202	10-202	12-202
	4				2	10-201	10-201	12-201
	6				2	13-200	12-200	15-200
	10				2	13-201	12-201	15-201
				1	10-200	10-200	12-200	

Dimensions in inches (millimeters) and are subject to change without notice.





Series 80 Mighty Mouse Filter Connector Contact Arrangements (Pin Front View) Printed Circuit Board Dimensions

Series 801	5-3	6-4	6-6	6-7	6-23	6-1
Series 804	5-3	6-4	6-6	6-7	6-23	6-1
Series 805	N/A	8-4	8-6	8-7	8-23	8-1
Series 801	7-10	7-25	7-1	8-13	8-28	
Series 804	7-10	7-25	7-1	8-13	8-28	
Series 805	9-10	9-25	9-1	10-13	10-28	
Series 801	8-2	8-200	9-19	9-4	9-210	9-200
Series 804	8-2	8-200	9-19	9-4	9-210	9-200
Series 805	10-2	10-200	11-19	11-4	11-210	11-200
Series 801	9-201	10-26	10-5	10-2		
Series 804	9-201	10-26	10-5	10-2		
Series 805	11-201	12-26	12-5	12-2		

Dimensions in inches (millimeters) and are subject to change without notice.

© 2014 Glenair, Inc.

Series 80 Mighty Mouse

U.S. CAGE Code 06324

Printed in U.S.A.

Series 80 Mighty Mouse Filter Connector Contact Arrangements (Pin Front View) Printed Circuit Board Dimensions



Series 801	10-200	10-201	10-202	11-31	13-37
Series 804	10-200	10-201	10-202	11-31	12-37
Series 805	12-200	12-201	12-202	13-31	15-37
Series 801	13-7	13-2	13-3	13-200	13-201
Series 804	12-7	12-2	12-3	12-200	12-201
Series 805	15-7	15-2	15-3	15-200	15-201
Series 801	13-220	16-55	14-55	16-235	
Series 804	12-220	14-55	14-55	14-235	
Series 805	15-220	18-55	18-55	18-235	

Dimensions in inches (millimeters) and are subject to change without notice.



Series 80 Mighty Mouse Filter Connector Contact Arrangements (Pin Front View) with Printed Circuit Board Dimensions

Series 801	16-5	16-12	17-7	17-14
Series 804	14-5	14-12	N/A	N/A
Series 805	18-5	18-12	19-7	19-14
Series 801	17-85	17-241		
Series 804	N/A	N/A		
Series 805	19-85	19-241		
Series 801	19-100	19-255	19-19	
Series 804	N/A	N/A	N/A	
Series 805	21-100	21-255	21-19	

Dimensions in inches (millimeters) and are subject to change without notice.

Series 80 Mighty Mouse Filter Connector Contact Arrangements (Pin Front View) Printed Circuit Board Dimensions



Series 801	21-130	21-12
Series 804	N/A	N/A
Series 805	23-130	23-12
Series 801	21-22	21-269
Series 804	N/A	N/A
Series 805	23-22	23-269

Dimensions in inches (millimeters) and are subject to change without notice.



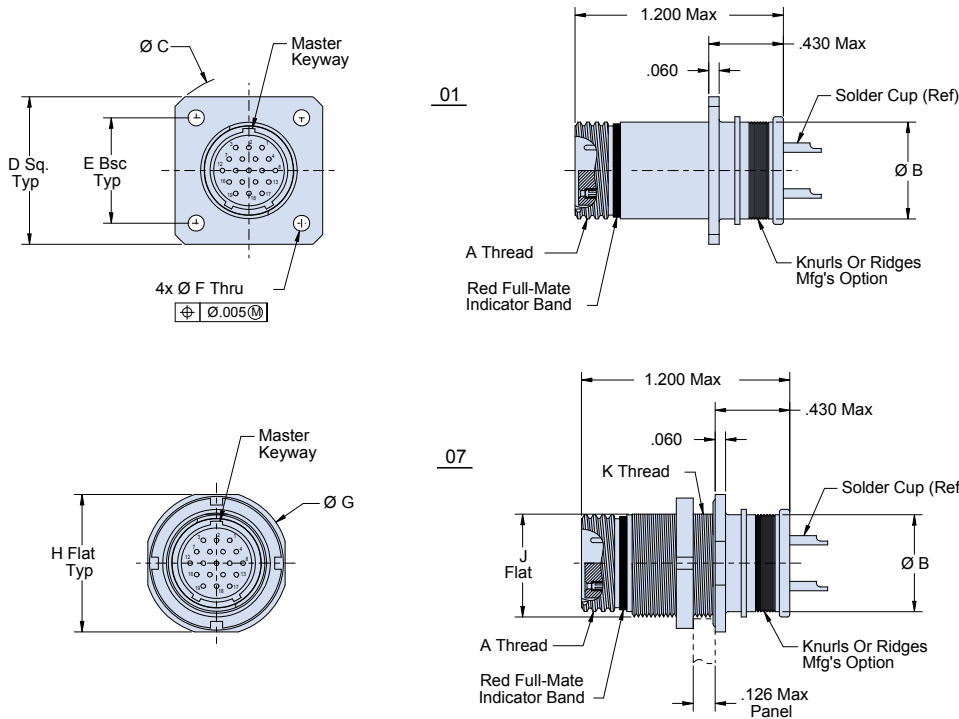
Series 801 Mighty Mouse Filter Connector

High Density, Quick Coupling Threads

240-801 Ordering Information

Mighty mouse filter connector with solder cup contacts and banding platform

How To Order	
Sample Part Number	240-801- 07 M 6-7 P S P A A
Filter Connector	240-801 = Series 801 Mighty Mouse
Shell Style	01 = Square flange receptacle with banding platform 07 = Jam nut receptacle with banding platform
Shell Material/Finish	See Table I
Insert Arrangement	See pages J-3 – J-7
Contact Gender	P = Pin S = Socket
Termination Type	S = Solder Cup
Filter Type	P = Pi Circuit C = C Circuit (See Note 1)
Capacitance	See Table II
Alternate Key Position	A, B, C, D, E, F, U A = Normal, U = Universal (See page J-2)



NOTES

1. Other filter styles (C-L, L-C, Unbalanced Pi, Multi-Stage, Multi-Value) are available, please consult the factory.

Dimensions in inches (millimeters) and are subject to change without notice.

Series 801 Mighty Mouse Filter Connector

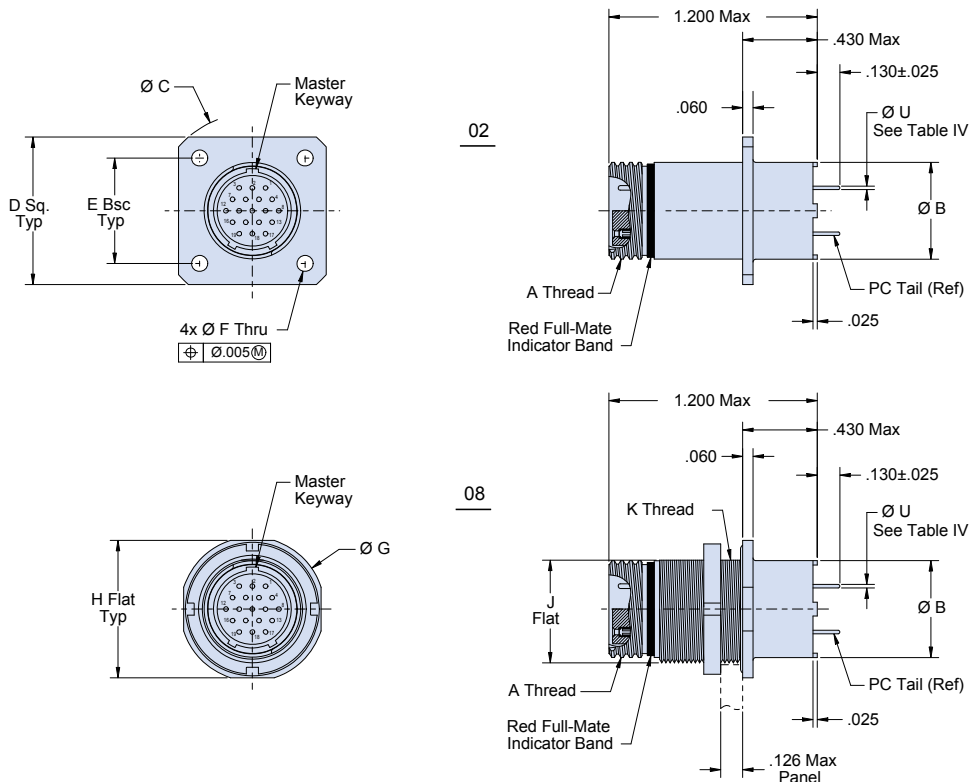
High Density, Quick Coupling Threads

240-801 Ordering Information



Mighty mouse filter connector with PC tail contacts

How To Order	
Sample Part Number	240-801- 02 M 6-7 P P P A A
Filter Connector	240-801 = Series 801 Mighty Mouse
Shell Style	02 = Square flange receptacle with PCB contacts 08 = Jam nut receptacle with PCB contacts
Shell Material/Finish	See Table I
Insert Arrangement	See pages J-3 – J-7
Contact Gender	P = Pin S = Socket
Termination Type	P = PC Tail
Filter Type	P = Pi Circuit C = C Circuit (See Note 1)
Capacitance	See Table II
Alternate Key Position	A, B, C, D, E, F, U A = Normal, U = Universal (See page J-2)



NOTES

1. Other filter styles (C-L, L-C, Unbalanced Pi, Multi-Stage, Multi-Value) are available, please consult the factory.

Dimensions in inches (millimeters) and are subject to change without notice.





Series 801 Mighty Mouse Filter Connector

High Density, Quick Coupling Threads

240-801 Dimensions

Mighty mouse filter connector with solder cup contacts and banding platform

Table I: Material and Finish

Sym	Material	Finish Description
M	Aluminum	Electroless Nickel
MT		Ni-PTFE 1000 Hour Grey™ Nickel Fluorocarbon Polymer
NF		Cadmium, Olive Drab over Electroless Nickel
ZN		Zinc-Nickel, Olive Drab
ZR		Zinc-Nickel, Black - RoHS
ZL	Stainless Steel	Electro-Deposited Nickel

Table II: Capacitor Array Code Capacitance Range

Class	Pi - Circuit (pF)	C - Circuit (pF)
A	38,000 - 56,000	19,000 - 28,000
B	32,000 - 45,000	16,000 - 22,500
C	18,000 - 33,000	9,000 - 16,500
D	8,000 - 12,000	4,000 - 6,000
E	3,300 - 5,000	1,650 - 2,500
F	800 - 1,300	400 - 650
G	400 - 600	200 - 300
J	70 - 120	35 - 60

PC Tail Dia

Contact Size	Ø U
23	.022 (0.56)
	.018 (0.46)
20	.028 (0.71)
	.024 (0.61)
16	.042 (1.07)
	.038 (0.97)
12	.096 (2.44)
	.092 (2.34)

Dimensions

Shell Size	A Thread	B Dia	C Dia	D Sq	E Bsc	F Holes	G Dia	H Flat	J Flat	K Thread
5	.3125-.05P-.1L-2A	.365 (9.3)	.680 (17.3)	.530 (13.5)	.363 (9.2)	.096 (2.4) .091 (2.3)	.575 (14.6)	.545 (13.8)	.350 (8.9)	.3750-28 UN-2A
6	.3750-.05P-.1L-2A	.409 (10.4)	.750 (19.1)	.590 (15.0)	.423 (10.7)		.635 (16.1)	.595 (15.1)	.410 (10.4)	.4375-28 UNEF-2A
7	.4375-.05P-.1L-2A	.500 (12.7)	.850 (21.6)	.650 (16.5)	.483 (12.3)		.755 (19.2)	.723 (18.4)	.536 (13.6)	.5625-32 UN-2A
8	.5000-.05P-.1L-2A	.522 (13.3)	.938 (23.8)	.712 (18.1)	.545 (13.8)		.755 (19.2)	.723 (18.4)	.536 (13.6)	.5625-32 UN-2A
9	.5625-.05P-.1L-2A	.610 (15.5)	1.125 (28.6)	.850 (21.6)	.607 (15.4)		.830 (21.1)	.790 (20.1)	.596 (15.1)	.6250-28 UN-2A
10	.6250-.05P-.1L-2A	.652 (16.6)	1.188 (30.2)	.890 (22.6)	.670 (17.0)	.130 (3.3) .126 (3.2)	.890 (22.6)	.855 (21.7)	.658 (16.7)	.6875-28 UN-2A
11	.6875-.05P-.1L-2A	.694 (17.6)	1.250 (31.8)	.935 (23.8)	.715 (18.2)		.960 (24.4)	.925 (23.5)	.718 (18.2)	.750-28 UN-2A
13	.8125-.1P-.2L-2A	.746 (18.9)	1.375 (34.9)	1.030 (26.2)	.812 (20.6)		1.078 (27.4)	1.044 (26.5)	.845 (21.5)	.875-28 UN-2A
16	1.000-.1P-.2L-2A	.871 (22.1)	1.625 (41.3)	1.219 (31.0)	.981 (24.9)		1.264 (32.1)	1.230 (31.2)	1.022 (26.0)	1.0625-20 UN-2A
17	1.062-.1P-.2L-2A	.965 (24.5)	1.700 (43.2)	1.280 (32.5)	1.060 (26.9)		1.325 (33.7)	1.290 (32.8)	1.096 (27.8)	1.125-28 UN-2A
19	1.1875-.1P-.2L-2A	1.078 (27.4)	1.900 (48.3)	1.432 (36.8)	1.191 (30.3)		1.450 (36.8)	1.415 (35.9)	1.225 (31.1)	1.250-28 UN-2A
21	1.3125-.1P-.2L-2A	1.186 (30.1)	1.938 (49.2)	1.565 (39.8)	1.322 (33.6)		1.625 (41.3)	1.577 (40.1)	1.345 (34.2)	1.375-28 UN-2A

Dimensions in inches (millimeters) and are subject to change without notice.

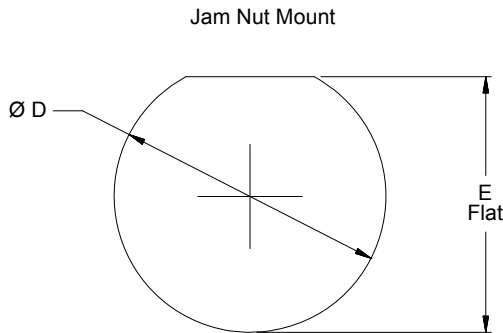
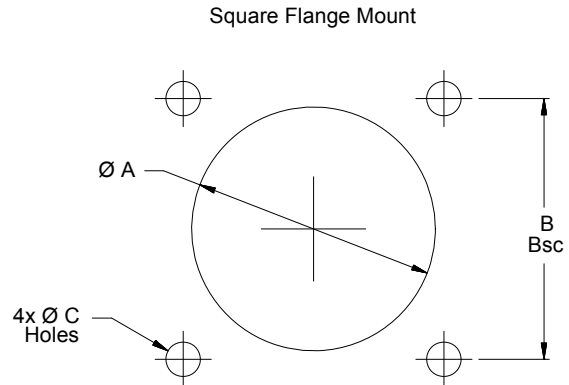
Series 801 Mighty Mouse Filter Connector

High Density, Quick Coupling Threads

240-801 Dimensions



Series 801 Mighty Mouse Square Flange Cut-Outs			
Shell Size	ØA	B Bsc	ØC Holes
5	.328 (8.33)	.363 (9.22)	.096 (2.44) .091 (2.31)
6	.390 (9.91)	.423 (10.74)	
7	.453 (11.51)	.483 (12.27)	
8	.515 (13.08)	.545 (13.84)	.130 (3.30) .126 (3.20)
9	.578 (14.68)	.607 (15.42)	
10	.640 (16.26)	.670 (17.02)	
11	.703 (17.86)	.715 (18.16)	
13	.828 (21.03)	.812 (20.62)	
16	1.015 (25.78)	.981 (24.92)	
17	1.078 (27.38)	1.060 (26.92)	
19	1.203 (30.56)	1.191 (30.25)	
21	1.328 (33.73)	1.322 (33.58)	



Series 801 Mighty Mouse Jam Nut Cut-Outs		
Shell Size	ØD	E Flat
5	.387 (9.8)	.358 (9.1)
	.383 (9.7)	.354 (9.0)
6	.449 (11.4)	.418 (10.6)
	.445 (11.3)	.414 (10.5)
7	.574 (14.6)	.544 (13.8)
	.570 (14.5)	.540 (13.7)
8	.574 (14.6)	.544 (13.8)
	.570 (14.5)	.540 (13.7)
9	.637 (16.2)	.604 (15.3)
	.633 (16.1)	.600 (15.2)
10	.699 (17.8)	.666 (16.9)
	.695 (17.7)	.662 (16.8)
11	.762 (19.4)	.726 (18.4)
	.758 (19.3)	.722 (18.3)
13	.887 (22.5)	.853 (21.7)
	.883 (22.4)	.849 (21.6)
16	1.077 (27.4)	1.030 (26.2)
	1.073 (27.3)	1.026 (26.1)
17	1.137 (28.9)	1.104 (28.0)
	1.133 (28.8)	1.100 (27.9)
19	1.262 (32.1)	1.235 (31.4)
	1.258 (32.0)	1.231 (31.3)
21	1.387 (35.2)	1.355 (34.4)
	1.383 (35.1)	1.351 (34.3)

Dimensions in inches (millimeters) and are subject to change without notice.

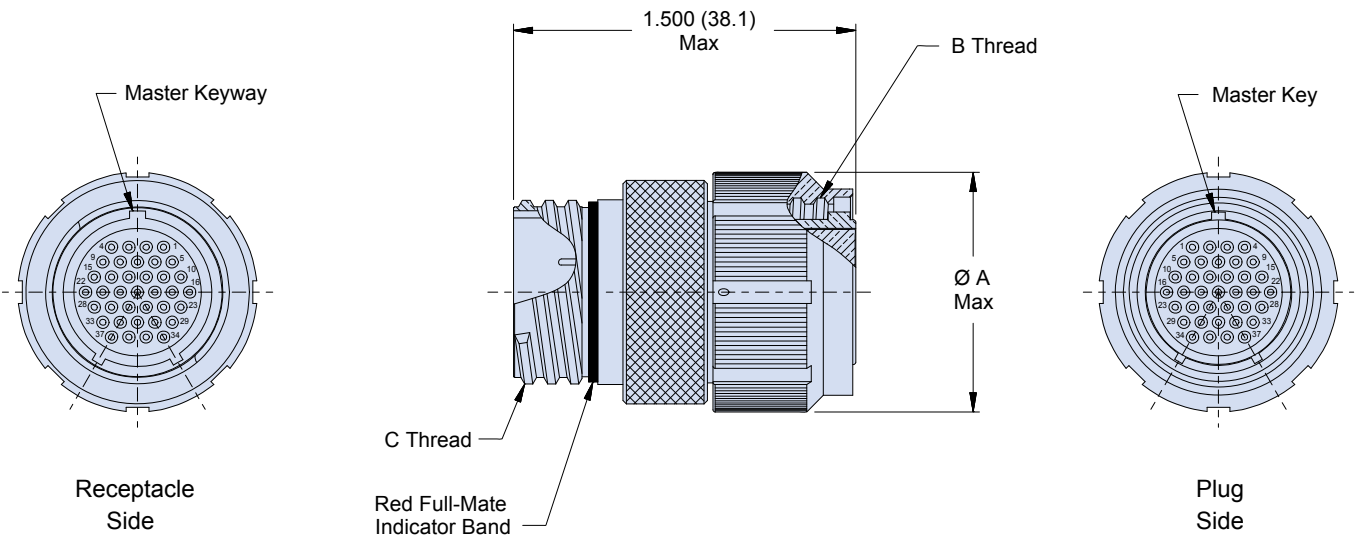




Series 801 Mighty Mouse Filter Connector Adapter
High Density, Quick Coupling Threads
240-801-AA Ordering Information

Mighty mouse filter connector adapter

How To Order	
Sample Part Number	240-801-AA M 6-7 PS P A A
Filter Connector	240-801 = Series 801 Mighty Mouse
Shell Style	AA = Adapter
Shell Material/Finish	See Table I
Insert Arrangement	See pages J-3 – J-7
Contact Gender	PS = Pins, Plug Side SP = Sockets, Plug Side (See Note 2)
Filter Type	P = Pi Circuit C = C Circuit (See Note 1)
Capacitance	See Table II
Alternate Key Position	A, B, C, D, E, F, U A = Normal, U = Universal (See page J-2)



NOTES

1. Other filter styles (C-L, L-C, Unbalanced Pi, Multi-Stage, Multi-Value) are available, please consult the factory.
2. Please consult factory for Pin/Pin and/or Socket/Socket contact arrangements.

Dimensions in inches (millimeters) and are subject to change without notice.

Series 801 Mighty Mouse Filter Connector Adapter

High Density, Quick Coupling Threads

240-801-AA Dimensions



Table I: Material and Finish		
Sym	Material	Finish Description
M	Aluminum	Electroless Nickel
MT		Ni-PTFE 1000 Hour Grey™ Nickel Fluorocarbon Polymer
NF		Cadmium, Olive Drab over Electroless Nickel
ZN		Zinc-Nickel, Olive Drab
ZR		Zinc-Nickel, Black - RoHS
ZL	Stainless Steel	Electro-Deposited Nickel

Table II: Capacitor Array Code Capacitance Range		
Class	Pi - Circuit (pF)	C - Circuit (pF)
A	38,000 - 56,000	19,000 - 28,000
B	32,000 - 45,000	16,000 - 22,500
C	18,000 - 33,000	9,000 - 16,500
D	8,000 - 12,000	4,000 - 6,000
E	3,300 - 5,000	1,650 - 2,500
F	800 - 1,300	400 - 650
G	400 - 600	200 - 300
J	70 - 120	35 - 60

Dimensions			
Shell Size	Ø A Max	B Thread	C Thread
5	.720 (18.3)	.3125-.05P-.1L-DS-2B	.3125-.05P-.1L-DS-2A
6	.750 (19.1)	.3750-.05P-.1L-DS-2B	.3750-.05P-.1L-DS-2A
7	.850 (21.6)	.4375-.05P-.1L-DS-2B	.4375-.05P-.1L-DS-2A
8	.870 (22.1)	.5000-.05P-.1L-DS-2B	.5000-.05P-.1L-DS-2A
9	.930 (23.6)	.5625-.05P-.1L-DS-2B	.5625-.05P-.1L-DS-2A
10	1.000 (25.4)	.6250-.05P-.1L-DS-2B	.6250-.05P-.1L-DS-2A
11	1.100 (27.9)	.6875-.05P-.1L-DS-2B	.6875-.05P-.1L-DS-2A
13	1.170 (29.7)	.8125-.1P-.2L-DS-2B	.8125-.1P-.2L-DS-2A
16	1.380 (35.1)	1.0000-.1P-.2L-DS-2B	1.0000-.1P-.2L-DS-2A
17	1.460 (37.1)	1.0625-.1P-.2L-DS-2B	1.0625-.1P-.2L-DS-2A
19	1.600 (40.6)	1.1875-.1P-.2L-DS-2B	1.1875-.1P-.1L-DS-2A
21	1.850 (47.0)	1.3125-.1P-.2L-DS-2B	1.3125-.1P-.2L-DS-2A



Dimensions in inches (millimeters) and are subject to change without notice.



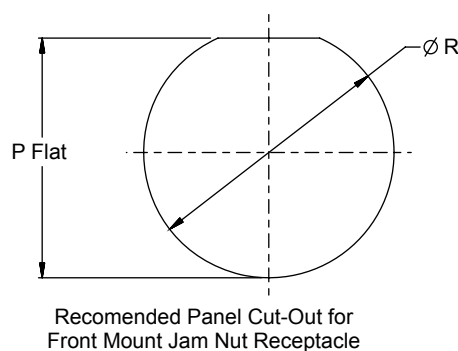
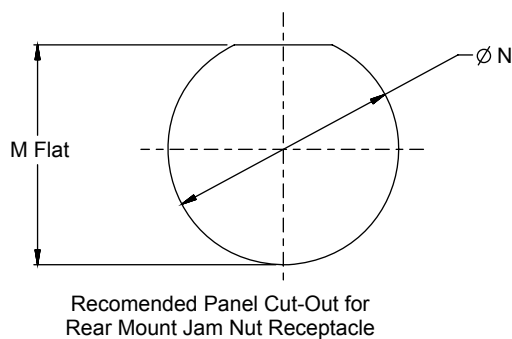
Series 804 Mighty Mouse Filter Connector Jam Nut Receptacle, Push-Pull Quick Disconnect 240-804 Ordering Information

Mighty mouse push-pull jam nut receptacle filter connector

How To Order									
Sample Part Number	240-804-	07	M	6-7	P	S	P	A	A
Filter Connector	240-804 = Series 804 Mighty Mouse Push-Pull								
Shell Style	07 = Rear mount jam nut receptacle with PCB contacts 08 = Front mount jam nut receptacle with PCB contacts								
Shell Material/Finish	See Table I								
Insert Arrangement	See pages J-3 – J-7								
Contact Gender	P = Pin S = Socket								
Termination Type	P = PC Tail S = Solder Cup								
Filter Type	P = Pi Circuit C = C Circuit (See Note 1)								
Capacitance	See Table II								
Alternate Key Position	A, B, C, D, E, F, U A = Normal, U = Universal (See page J-2)								

Sym	Material	Finish Description
M	Aluminum	Electroless Nickel
MT		Ni-PTFE 1000 Hour Grey™ Nickel Fluorocarbon Polymer
NF		Cadmium, Olive Drab over Electroless Nickel
ZN		Zinc-Nickel, Olive Drab
ZR		Zinc-Nickel, Black - RoHS
ZL	Stainless Steel	Electro-Deposited Nickel

Class	Pi - Circuit (pF)	C - Circuit (pF)
A	38,000 - 56,000	19,000 - 28,000
B	32,000 - 45,000	16,000 - 22,500
C	18,000 - 33,000	9,000 - 16,500
D	8,000 - 12,000	4,000 - 6,000
E	3,300 - 5,000	1,650 - 2,500
F	800 - 1,300	400 - 650
G	400 - 600	200 - 300
J	70 - 120	35 - 60



Contact Size	Ø U
23	.022 (0.56)
	.018 (0.46)
20	.028 (0.71)
	.024 (0.61)
16	.042 (1.07)
	.038 (0.97)
12	.096 (2.44)
	.092 (2.34)

NOTES

- Other filter styles (C-L, L-C, Unbalanced Pi, Multi-Stage, Multi-Value) are available, please consult the factory.

Dimensions in inches (millimeters) and are subject to change without notice.

Series 804 Mighty Mouse Filter Connector Jam Nut Receptacle, Push-Pull Quick Disconnect 240-804-07 and -08 Dimensions

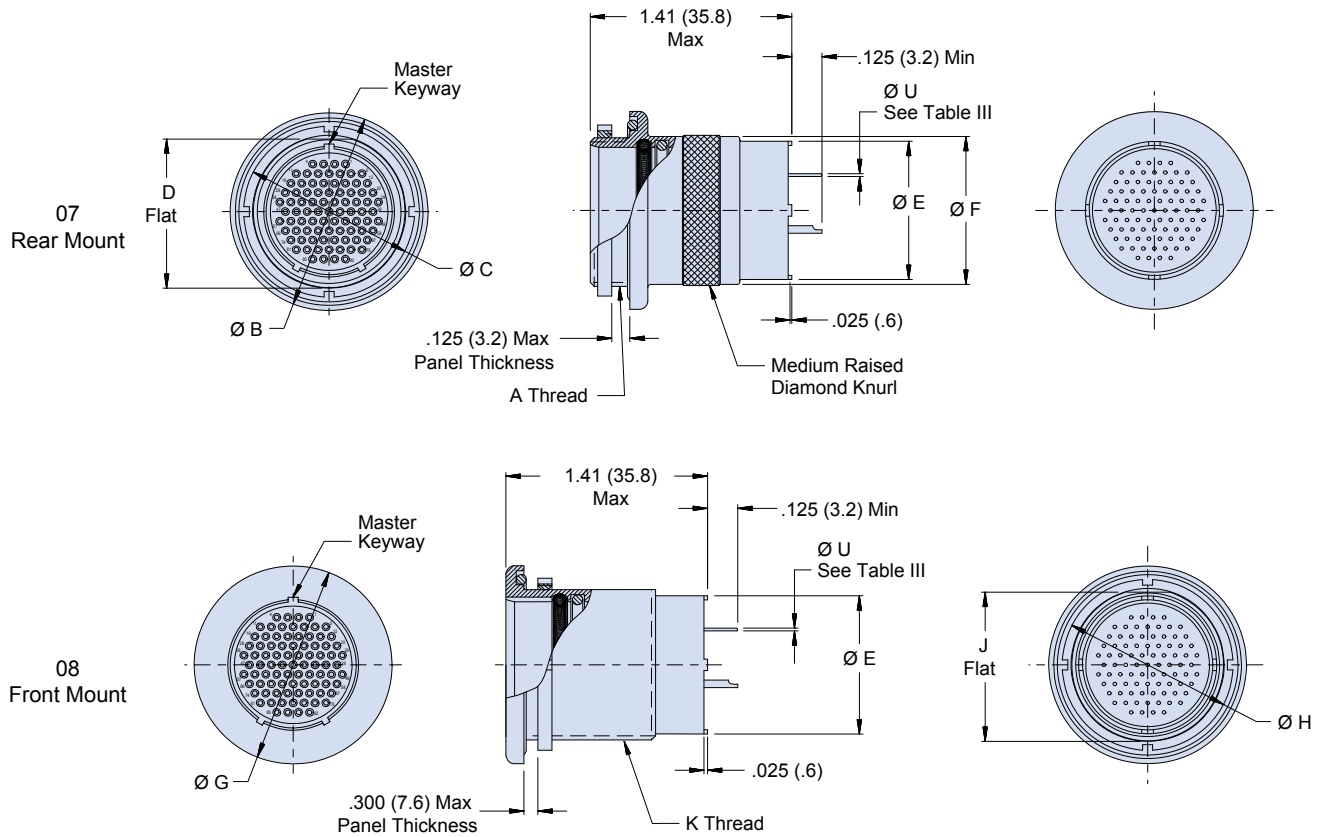


Table III: Dimensions

Shell Size	A Thread	Ø B	Ø C	D Flat	Ø E	Ø F	Ø G	Ø H	J Flat	K Thread	Rear Mount -07		Front Mount -08	
											M Flat	Ø N	P Flat	Ø R
5	.4375-32	.790	.562	.415	.365	.450	.830	.625	.470	.5000-32	.427 (10.9)	.453 (11.5)	.482 (12.2)	.515 (13.1)
	UN-2A	(20.1)	(14.3)	(10.5)	(9.3)	(11.4)	(21.1)	(15.9)	(11.9)	UN-2A	.423 (10.7)	.443 (11.3)	.478 (12.1)	.505 (12.8)
6	.5000-32	.830	.625	.467	.409	.520	.885	.688	.530	.5625-32	.479 (12.2)	.515 (13.1)	.542 (13.8)	.580 (14.7)
	UN-2A	(21.1)	(15.9)	(11.9)	(10.4)	(13.3)	(22.5)	(17.5)	(13.5)	UN-2A	.475 (12.1)	.505 (12.8)	.538 (13.7)	.570 (14.5)
7	.6250-28	.910	.750	.594	.500	.570	.995	.812	.663	.6875-28	.606 (15.4)	.640 (16.3)	.676 (17.2)	.703 (17.9)
	UN-2A	(23.1)	(19.1)	(15.1)	(12.7)	(14.5)	(25.3)	(20.6)	(16.8)	UN-2A	.602 (15.3)	.630 (16.0)	.671 (17.0)	.693 (17.6)
8	.6250-28	.955	.750	.594	.522	.603	.995	.812	.663	.6875-28	.606 (15.4)	.640 (16.3)	.676 (17.2)	.703 (17.9)
	UN-2A	(24.3)	(19.1)	(15.1)	(13.3)	(15.3)	(25.3)	(20.6)	(16.8)	UN-2A	.602 (15.3)	.630 (16.0)	.671 (17.0)	.693 (17.6)
9	.6875-28	1.000	.812	.655	.610	.685	1.075	.875	.720	.7500-28	.667 (17.0)	.700 (17.8)	.732 (18.6)	.765 (19.4)
	UN-2A	(25.4)	(20.6)	(16.6)	(15.5)	(17.4)	(27.3)	(22.2)	(18.3)	UN-2A	.663 (16.8)	.690 (17.5)	.728 (18.5)	.755 (19.2)
10	.7500-28	1.085	.875	.721	.652	.735	1.140	.938	.788	.8125-28	.734 (18.6)	.765 (19.4)	.801 (20.4)	.827 (21.0)
	UN-2A	(27.6)	(22.2)	(18.3)	(16.6)	(18.7)	(29.0)	(23.8)	(20.0)	UN-2A	.729 (18.5)	.755 (19.2)	.796 (20.2)	.817 (20.8)
11	.8125-28	1.135	.938	.788	.694	.810	1.190	1.000	.843	.8750-28	.801 (20.3)	.827 (21.0)	.855 (21.7)	.890 (22.6)
	UN-2A	(28.8)	(23.8)	(20.0)	(17.6)	(20.6)	(30.2)	(25.4)	(21.4)	UN-2A	.796 (20.2)	.817 (20.8)	.851 (21.6)	.880 (22.4)
12	.8750-28	1.180	1.000	.843	.746	.850	1.340	1.125	.970	1.0000-28	.855 (21.7)	.890 (22.6)	.982 (24.9)	1.015 (25.8)
	UN-2A	(30.0)	(25.4)	(21.4)	(18.9)	(21.6)	(34.0)	(28.6)	(24.6)	UN-2A	.851 (21.6)	.880 (22.4)	.978 (24.8)	1.005 (25.5)
14	1.0000-28	1.325	1.125	.968	.871	.973	1.390	1.188	1.020	1.0625-20	.980 (24.9)	1.015 (25.8)	1.032 (26.2)	1.080 (27.4)
	UN-2A	(33.7)	(28.6)	(24.6)	(22.1)	(24.7)	(35.3)	(30.2)	(25.9)	UN-2A	.976 (24.8)	1.005 (25.5)	1.028 (26.1)	1.070 (27.2)

Dimensions in inches (millimeters) and are subject to change without notice.

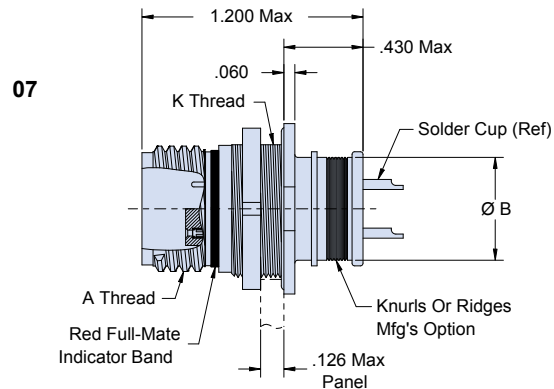
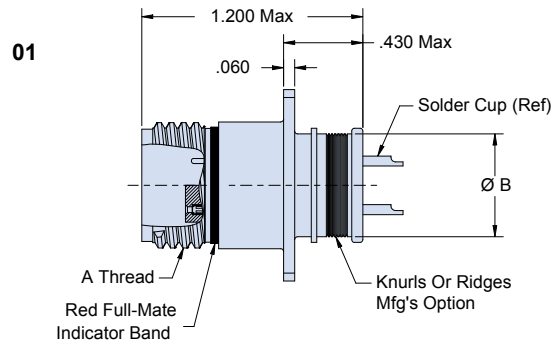
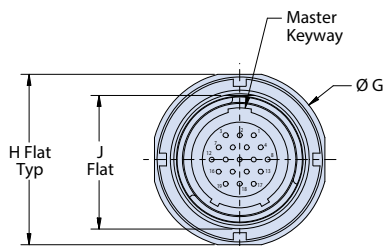
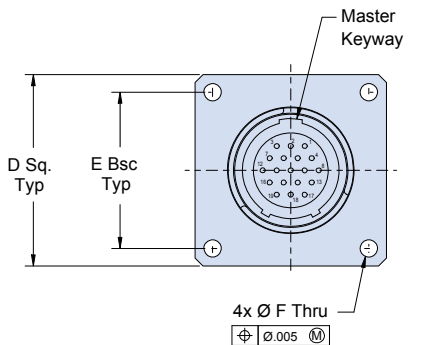




Series 805 Mighty Mouse Filter Connector Receptacles with Triple-Start ACME Coupling Threads, 240-805 Ordering Information

Mighty mouse triple-start receptacle filter connector with solder cup contacts and banding platform

How To Order	
Sample Part Number	240-805- 07 M 8-7 P S P A A
Filter Connector	240-805 = Series 805 Mighty Mouse Triple-Start
Shell Style	01 = Square flange receptacle with banding platform 07 = Jam nut receptacle with banding platform
Shell Material/Finish	See Table I
Insert Arrangement	See pages J-3 - J-7
Contact Gender	P = Pin S = Socket
Termination Type	S = Solder Cup
Filter Type	P = Pi Circuit C = C Circuit (See Note 1)
Capacitance	See Table II
Alternate Key Position	A, B, C, D, E, F, U A = Normal, U = Universal (See page J-2)



NOTES

- Other filter styles (C-L, L-C, Unbalanced Pi, Multi-Stage, Multi-Value) are available, please consult the factory.

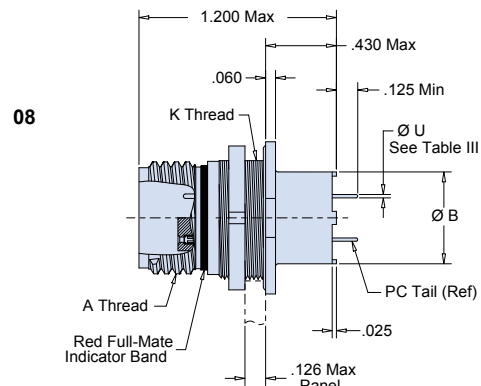
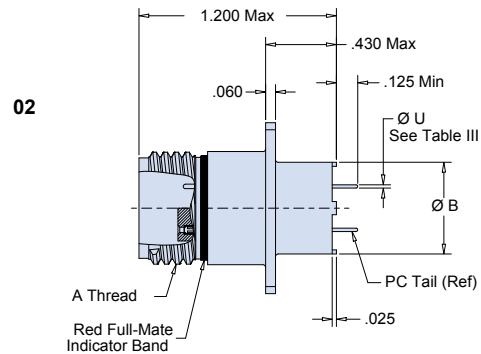
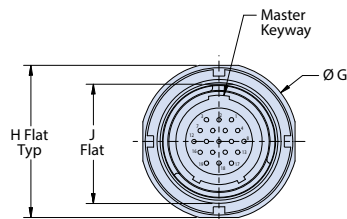
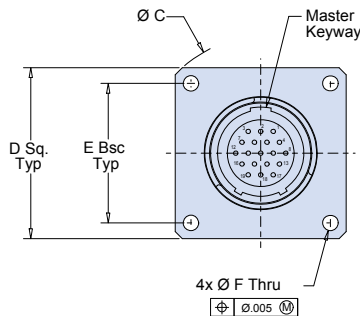
Dimensions in inches (millimeters) and are subject to change without notice.

Series 805 Mighty Mouse Filter Connector Receptacles with Triple-Start ACME Coupling Threads, 240-805 Ordering Informaton



Mighty mouse triple-start receptacle filter connector with PCB contacts

How To Order	
Sample Part Number	240-805- 02 M 8-7 P P P A A
Filter Connector	Series 805 Mighty Mouse Triple-Start
Shell Style	02 = Square flange receptacle with PCB contacts 08 = Jam nut receptacle with with PCB contacts
Shell Material/Finish	See Table I
Insert Arrangement	See pages J-3 – J-7
Contact Gender	P = Pin S = Socket
Termination Type	P = PC Tail
Filter Type	P = Pi Circuit C = C Circuit (See Note 1)
Capacitance	See Table II
Alternate Key Position	A, B, C, D, E, F, U A = Normal, U = Universal (See page J-2)



NOTES

- Other filter styles (C-L, L-C, Unbalanced Pi, Multi-Stage, Multi-Value) are available, please consult the factory.

Dimensions in inches (millimeters) and are subject to change without notice.





Series 805 Mighty Mouse Filter Connector Receptacles with Triple-Start ACME Coupling Threads 240-805 Dimensions

Table I: Material and Finish

Sym	Material	Finish Description
M	Aluminum	Electroless Nickel
MT		Ni-PTFE 1000 Hour Grey™ Nickel Fluorocarbon Polymer
NF		Cadmium, Olive Drab over Electroless Nickel
ZN		Zinc-Nickel, Olive Drab
ZR		Zinc-Nickel, Black - RoHS
ZL	Stainless Steel	Electro-Deposited Nickel

Table II: Capacitor Array Code Capacitance Range

Class	Pi - Circuit (pF)	C - Circuit (pF)
A	38,000 - 56,000	19,000 - 28,000
B	32,000 - 45,000	16,000 - 22,500
C	18,000 - 33,000	9,000 - 16,500
D	8,000 - 12,000	4,000 - 6,000
E	3,300 - 5,000	1,650 - 2,500
F	800 - 1,300	400 - 650
G	400 - 600	200 - 300
J	70 - 120	35 - 60

Table III: PC Tail Dia

Contact Size	Ø U
23	.022 (0.56)
	.018 (0.46)
20	.028 (0.71)
	.024 (0.61)
16	.042 (1.07)
	.038 (0.97)
12	.096 (2.44)
	.092 (2.34)

Dimensions

Shell Size	A Thread	B Dia	C Dia	D Sq	E Bsc	F Holes	G Dia	H Flat	J Flat	K Thread
8	.5000-1P-3L-TS-2A	.413 (10.5)	1.150 (29.2)	.850 (21.6)	.660 (16.8)	.096 (2.4) .091 (2.3)	.760 (19.3)	.730 (18.5)	.535 (13.6)	.5625-28 UN-2A
9	.5625-1P-3L-TS-2A	.500 (12.7)	1.230 (31.2)	.913 (23.2)	.723 (18.4)		.880 (22.4)	.850 (21.6)	.661 (16.8)	.6875-28 UN-2A
10	.6250-1P-3L-TS-2A	.530 (13.5)	1.330 (33.7)	.975 (24.8)	.785 (19.9)		.880 (22.4)	.850 (21.6)	.661 (16.8)	.6875-28 UN-2A
11	.6875-1P-3L-TS-2A	.610 (15.5)	1.410 (35.8)	1.039 (26.4)	.848 (21.5)		.955 (24.3)	.925 (23.5)	.721 (18.3)	.7500-28 UN-2A
12	.7500-1P-3L-TS-2A	.655 (16.6)	1.500 (38.1)	1.099 (27.9)	.909 (23.1)		1.060 (26.9)	1.035 (26.3)	.784 (19.9)	.8125-28 UN-2A
13	.8125-1P-3L-TS-2A	.685 (17.4)	1.590 (40.4)	1.163 (29.5)	.973 (24.7)	.130 (3.3) .126 (3.2)	1.120 (28.4)	1.090 (27.7)	.843 (21.4)	.8750-28 UN-2A
15	.9375-1P-3L-TS-2A	.746 (18.9)	1.750 (44.5)	1.288 (32.7)	1.058 (26.9)		1.203 (30.6)	1.173 (29.8)	.970 (24.6)	1.000-28 UN-2A
18	1.1250-1P-3L-TS-2A	.871 (22.1)	2.000 (50.8)	1.475 (37.5)	1.255 (31.9)		1.389 (35.3)	1.359 (34.5)	1.147 (29.1)	1.187-28 UN-2A
19	1.1870-1P-3L-TS-2A	.972 (24.7)	2.094 (53.2)	1.537 (39.0)	1.327 (33.7)		1.450 (36.8)	1.420 (36.1)	1.221 (31.0)	1.250-28 UN-2A
21	1.3125-1P-3L-TS-2A	1.084 (27.5)	2.270 (57.7)	1.663 (42.2)	1.452 (36.9)		1.590 (40.4)	1.560 (39.6)	1.350 (34.3)	1.3750-28 UN-2A
23	1.4375-1P-3L-TS-2A	1.186 (30.1)	2.440 (62.0)	1.787 (45.4)	1.570 (39.9)	1.705 (43.3)	1.675 (42.5)	1.470 (37.3)	1.500-28 UN-2A	

Dimensions in inches (millimeters) and are subject to change without notice.

© 2014 Glenair, Inc.

Series 80 Mighty Mouse

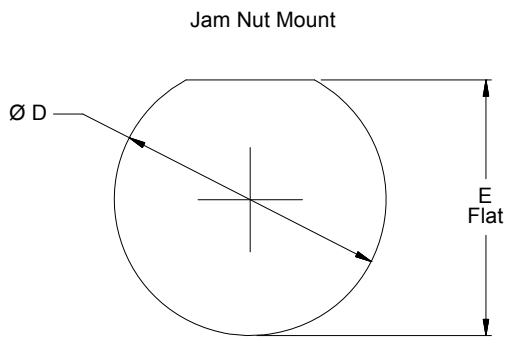
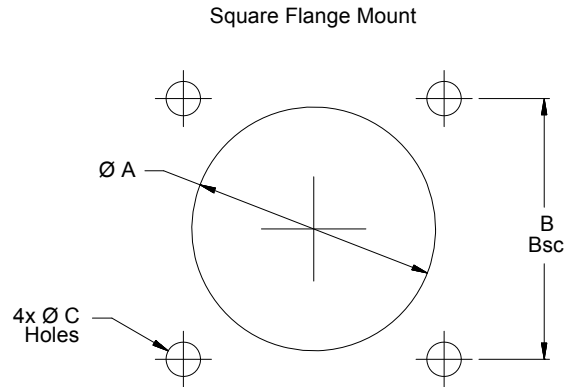
U.S. CAGE Code 06324

Printed in U.S.A.

Series 805 Mighty Mouse Filter Connector Receptacles with Triple-Start ACME Coupling Threads 240-805 Dimensions



Series 805 Mighty Mouse Square Flange Cut-Outs			
Shell Size	ØA	B Bsc	ØC Holes
8	.515 (13.08)	.660 (16.76)	.096 (2.4) .091 (2.3)
9	.578 (14.68)	.723 (18.36)	
10	.640 (16.26)	.785 (19.94)	
11	.703 (17.86)	.848 (21.54)	
12	.765 (19.43)	.909 (23.09)	
13	.828 (21.03)	.973 (24.71)	
15	.953 (24.21)	1.058 (26.87)	.130 (3.3) .126 (3.2)
18	1.140 (28.96)	1.255 (31.88)	
19	1.203 (30.56)	1.327 (33.71)	
21	1.328 (33.73)	1.452 (36.88)	
23	1.453 (36.91)	1.570 (39.88)	



Series 805 Mighty Mouse Jam Nut Cut-Outs		
Shell Size	ØD	E Flat
8	.575 (14.6)	.547 (13.9)
	.571 (14.5)	.543 (13.8)
9	.700 (17.8)	.673 (17.1)
	.696 (17.7)	.669 (17.0)
10	.700 (17.8)	.673 (17.1)
	.696 (17.7)	.669 (17.0)
11	.762 (19.4)	.733 (18.6)
	.758 (19.3)	.729 (18.5)
12	.825 (21.0)	.796 (20.2)
	.821 (20.9)	.792 (20.1)
13	.887 (22.5)	.853 (21.7)
	.883 (22.4)	.849 (21.6)
15	1.012 (25.7)	.982 (24.9)
	1.008 (25.6)	.978 (24.8)
18	1.200 (30.5)	1.159 (29.4)
	1.196 (30.4)	1.155 (29.3)
19	1.262 (32.1)	1.233 (31.3)
	1.258 (32.0)	1.229 (31.2)
21	1.387 (35.2)	1.360 (34.5)
	1.383 (35.1)	1.356 (34.4)
23	1.512 (38.4)	1.482 (37.6)
	1.508 (38.3)	1.478 (37.5)

Dimensions in inches (millimeters) and are subject to change without notice.



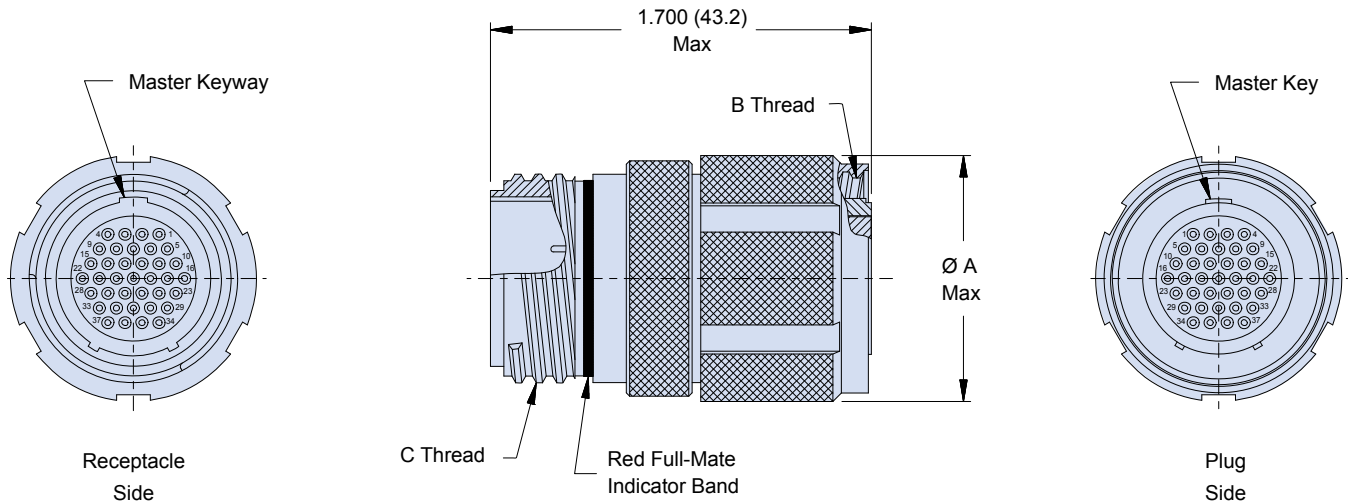


Series 805 Mighty Mouse Filter Connector Adapter with Triple-Start ACME Coupling Threads

240-805-AA Ordering Information

Mighty mouse triple-start connector adapter

How To Order	
Sample Part Number	240-805-AA M 8-7 PS P A A
Filter Connector	240-805 = Series 805 Mighty Mouse Triple-Start
Shell Style	AA = Adapter
Shell Material/Finish	See Table I
Insert Arrangement	See pages J-3 – J-7
Contact Gender	PS = Pins, Plug Side SP = Sockets, Plug Side (See Note 2)
Filter Type	P = Pi Circuit C = C Circuit (See Note 1)
Capacitance	See Table II
Alternate Key Position	A, B, C, D, E, F, U A = Normal, U = Universal (See page J-2)



NOTES

- Other filter styles (C-L, L-C, Unbalanced Pi, Multi-Stage, Multi-Value) are available, please consult the factory.
- Please consult factory for Pin/Pin and/or Socket/Socket contact arrangements.

Dimensions in inches (millimeters) and are subject to change without notice.

© 2014 Glenair, Inc.

Series 80 Mighty Mouse

U.S. CAGE Code 06324

Printed in U.S.A.

GLENAIR, INC. • 1211 AIR WAY • GLENDALE, CA 91201-2497 • 818-247-6000 • FAX 818-500-9912
www.glenair.com J-20 E-Mail: sales@glenair.com

Series 805 Mighty Mouse Filter Connector Adapter with Triple-Start ACME Coupling Threads 240-805-AA Dimensions



Table I: Material and Finish		
Sym	Material	Finish Description
M	Aluminum	Electroless Nickel
MT		Ni-PTFE 1000 Hour Grey™ Nickel Fluorocarbon Polymer
NF		Cadmium, Olive Drab over Electroless Nickel
ZN		Zinc-Nickel, Olive Drab
ZR		Zinc-Nickel, Black - RoHS
ZL	Stainless Steel	Electro-Deposited Nickel

Table II: Capacitor Array Code Capacitance Range		
Class	Pi - Circuit (pF)	C - Circuit (pF)
A	38,000 - 56,000	19,000 - 28,000
B	32,000 - 45,000	16,000 - 22,500
C	18,000 - 33,000	9,000 - 16,500
D	8,000 - 12,000	4,000 - 6,000
E	3,300 - 5,000	1,650 - 2,500
F	800 - 1,300	400 - 650
G	400 - 600	200 - 300
J	70 - 120	35 - 60

Dimensions			
Shell Size	Ø A Max	B Thread	C Thread
8	.870 (22.1)	.5000-.1P-.3L-TS-2B	.5000-.1P-.3L-TS-2A
9	.930 (23.6)	.5625-.1P-.3L-TS-2B	.5625-.1P-.3L-TS-2A
10	1.000 (25.4)	.6250-.1P-.3L-TS-2B	.6250-.1P-.3L-TS-2A
11	1.170 (29.7)	.6875-.1P-.3L-TS-2B	.6875-.1P-.3L-TS-2A
12	1.170 (29.7)	.7500-.1P-.3L-TS-2B	.7500-.1P-.3L-TS-2A
13	1.300 (33.0)	.8125-.1P-.3L-TS-2B	.8125-.1P-.3L-TS-2A
15	1.350 (34.3)	.9375-.1P-.3L-TS-2B	.9375-.1P-.3L-TS-2A
18	1.600 (40.6)	1.1250-.1P-.3L-TS-2B	1.1250-.1P-.3L-TS-2A
19	1.600 (40.6)	1.1875-.1P-.3L-TS-2B	1.1875-.1P-.3L-TS-2A
21	1.750 (44.5)	1.3125-.1P-.3L-TS-2B	1.3125-.1P-.3L-TS-2A
23	1.850 (47.0)	1.4375-.1P-.3L-TS-2B	1.4375-.1P-.3L-TS-2A



Dimensions in inches (millimeters) and are subject to change without notice.



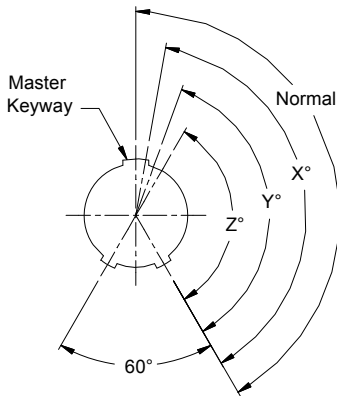
Series 800 Mighty Mouse Filter Connector

UN Mating Threads, Solder Cup, PCB Receptacle

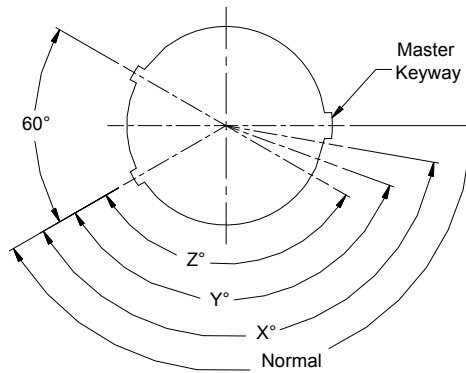
240-800 Ordering Information

Mighty mouse UN mating thread receptacle, square flange or jam nut

How To Order	
Sample Part Number	240-800- 02 M 6-7 P P A N
Filter Connector	240-800 = Series 800 Mighty Mouse
Shell Style	01 = Square flange receptacle with solder cup contacts and banding platform 02 = Square flange receptacle with PCB contact 07 = Jam nut receptacle with solder cup contacts and banding platform 08 = Jam nut receptacle with PCB contacts s
Shell Material/Finish	See Table II
Insert Arrangement	See page J-23
Contact Gender	P = Pin S = Socket
Filter Type	P = Pi Circuit C = C Circuit (See Note 1)
Capacitance	See Table III
Alternate Keyway Position	X, Y, Z, N = Normal



Keyway Positions
(See Table I)
Shell Sizes 5 & 6



Keyway Positions
(See Table I)
Shell Sizes 7 - 12

Alternate Keyway Positions	
Normal	150°
X	140°
Y	130°
Z	120°

Series 800 Mighty Mouse Filter Connector

UN Mating Threads, Solder Cup, PCB Receptacle

240-800 Dimensions



Contact Arrangements					
Contact Arr.	No. of Contacts				
	#23	#20	#20HD	#16	#12
5-3	3				
6-1				1	
6-23			3		
6-4	4				
6-6	6				
6-7	7				
7-1					1
7-25			5		
7-10	10				
8-2				2	
8-28			8		
8-13	13				
8-200	4	2			
9-4				4	
9-210			10		
9-19	19				
9-200	4			2	
9-201	8	2			
10-2					2
10-5				5	
10-26	26				
10-200	12				1
10-201	4				2
10-202	8			2	
12-2					2
12-3					3
12-7				7	
12-220			20		
12-37	37				
12-200	6				2
12-201	10				2

Material and Finish		
Sym	Material	Finish Description
M	Aluminum	Electroless Nickel
MT		Ni-PTFE 1000 Hour Grey™ Nickel Fluorocarbon Polymer
NF		Cadmium, Olive Drab over Electroless Nickel
ZN		Zinc-Nickel, Olive Drab
ZR		Zinc-Nickel, Black - RoHS
ZL	Stainless Steel	Electro-Deposited Nickel

Capacitor Array Code Capacitance Range		
Class	Pi - Circuit (pF)	C - Circuit (pF)
A	38,000 - 56,000	19,000 - 28,000
B	32,000 - 45,000	16,000 - 22,500
C	18,000 - 33,000	9,000 - 16,500
D	8,000 - 12,000	4,000 - 6,000
E	3,300 - 5,000	1,650 - 2,500
F	800 - 1,300	400 - 650
G	400 - 600	200 - 300
J	70 - 120	35 - 60

PC Tail Dia		
Contact Size	Ø U	
23	.022 (0.56)	
	.018 (0.46)	
20	.028 (0.71)	
	.024 (0.61)	
16	.042 (1.07)	
	.038 (0.97)	
12	.096 (2.44)	
	.092 (2.34)	

Dimensions										
Shell Size	A Thread	B Sq.	C Bsc	Ø D	Ø E	Ø G	H Flat	J Flat	Ø L ±.003 (0.05)	M Flat ±.005 (0.13)
5	.3125-28 UN-2A	.527 (13.4)	.363 (9.2)	.680 (17.3)	.365 (9.3)	.541 (13.7)	.500 (12.7)	.285 (7.2)	.297 (7.54)	.322 (8.18)
6	.3750-28 UN-2A	.588 (14.9)	.423 (10.7)	.750 (19.1)	.409 (10.4)	.610 (15.5)	.562 (14.3)	.352 (8.9)	.360 (9.14)	.385 (9.78)
7	.4375-28 UNEF-2A	.650 (16.5)	.483 (12.3)	.830 (21.1)	.500 (12.7)	.670 (17.0)	.635 (16.1)	.411 (10.4)	.426 (10.82)	.447 (11.35)
8	.5000-32 UN-2A	.710 (18.0)	.542 (13.8)	.938 (23.8)	.522 (13.3)	.775 (19.7)	.735 (18.7)	.473 (12.0)	.481 (12.22)	.510 (12.95)
9	.5625-32 UN-2A	.938 (23.8)	.719 (18.3)	1.250 (31.8)	.610 (15.5)	.875 (22.2)	.806 (20.5)	.530 (13.5)	.539 (13.69)	.572 (14.53)
10	.6250-32 UN-2A	.938 (23.8)	.719 (18.3)	1.250 (31.8)	.652 (16.6)	.980 (24.9)	.940 (23.9)	.604 (15.3)	.612 (15.54)	.635 (16.13)
12	.7500-28 UN-2A	1.031 (26.2)	.812 (20.6)	1.375 (34.9)	.746 (18.9)	1.062 (27.0)	.986 (25.0)	.712 (18.1)	.719 (18.26)	.760 (19.30)

Dimensions in inches (millimeters) and are subject to change without notice.

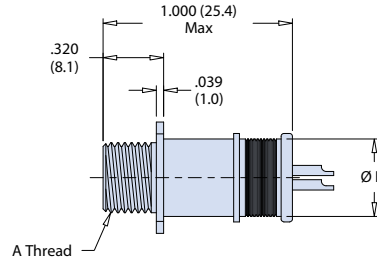
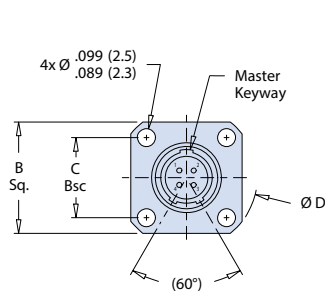




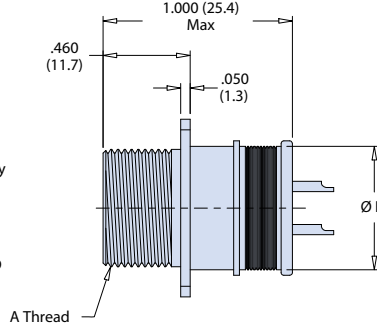
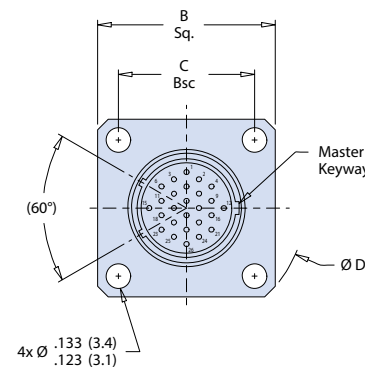
Series 80 Mighty Mouse Filter Receptacle Connector

UN Mating Threads, Square Flange

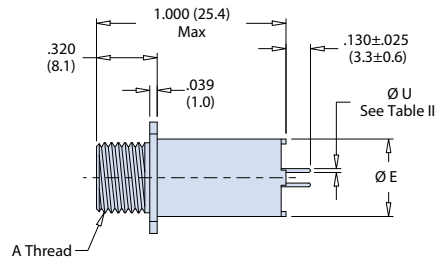
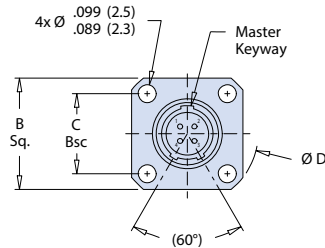
240-800 Dimensions



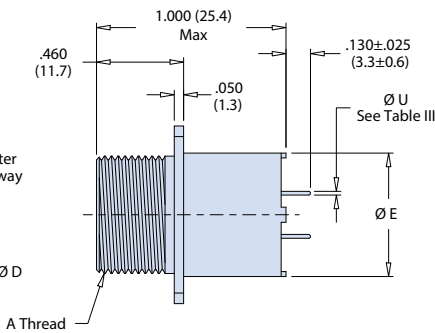
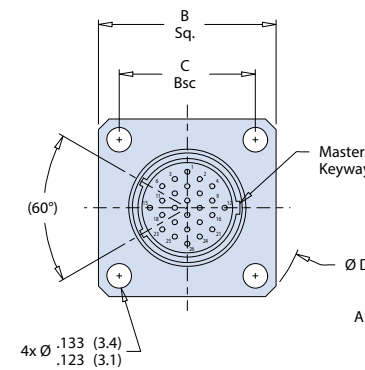
-01 Solder Cup
Sq. Flange Mount
Shell Sizes 5 & 6



-01 Solder Cup
Sq. Flange Mount
Shell Sizes 7 - 12



-02 PC Tail
Sq. Flange Mount
Shell Sizes 5 & 6



-02 PC Tail
Sq. Flange Mount
Shell Sizes 7 - 12

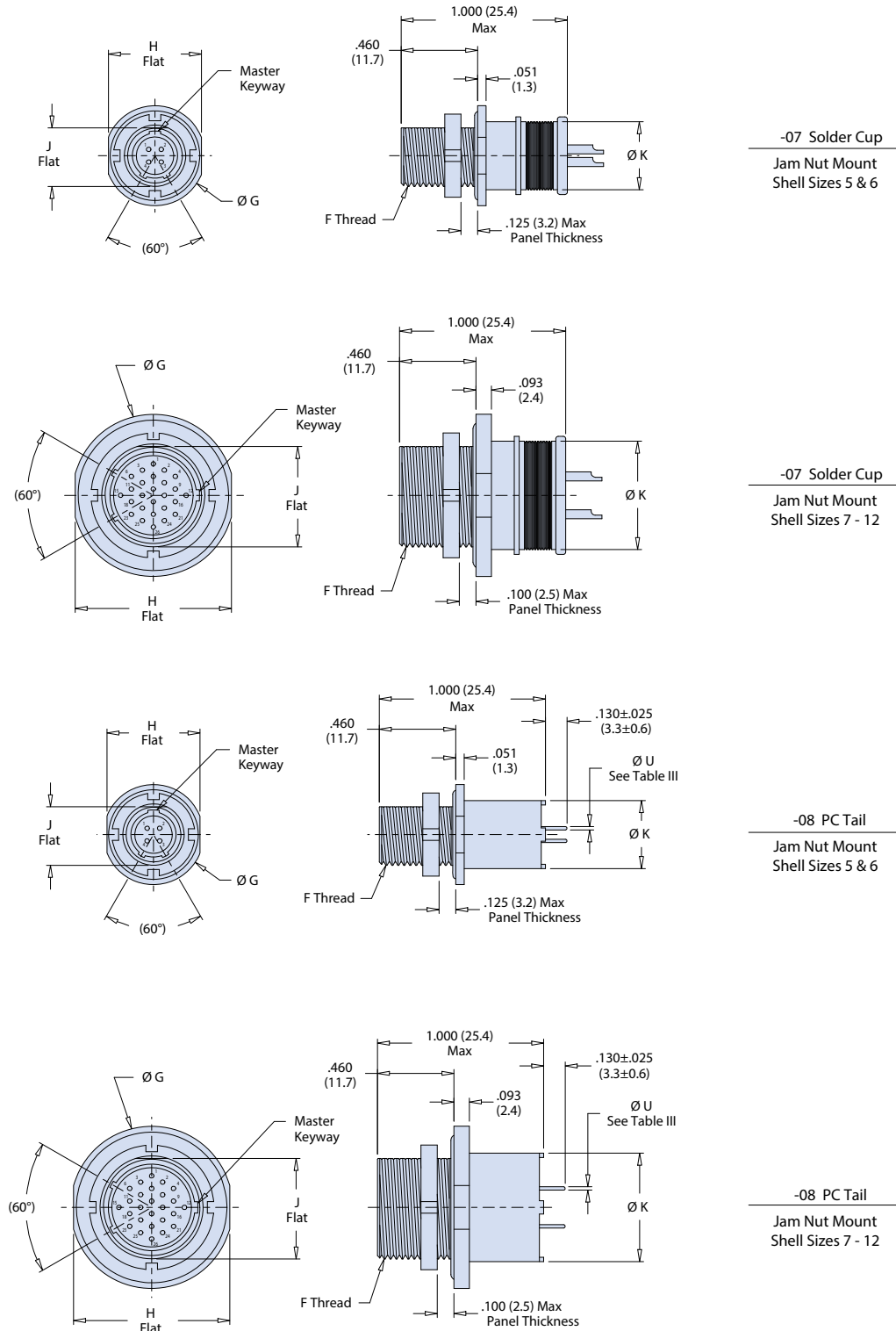
Dimensions in inches (millimeters) and are subject to change without notice.



Series 800 Mighty Mouse Filter Receptacle Connector

UN Mating Threads, Jam Nut

240-800 Dimensions



Dimensions in inches (millimeters) and are subject to change without notice.



SIZE #8
CONTACTS

EL OCHITO™

El
Ochito

The ultimate Ethernet contact—100% drop-in solution for size #8 cavity Mighty Mouse insert arrangements



The "Little Eight": Eight miniaturized contacts in a size #8 shielded module—1G/10G Ethernet ready, with dramatic size and weight reduction when compared to Quadrax

- One full Ethernet channel per size #8 cavity
- 100% drop-in solution to installed connectors—no redesign or reinstallation of interfaces
- Full inter- and intra-pair shielding—all cable shielding virtues preserved through contact cavity
- Dramatic cable and connector weight reduction compared to Quadrax links
- Ideal high-speed copper interface for military and commercial aerospace high-datarate applications

Glenair®

Glenair, Inc.
1211 Air Way
Glendale, CA
91201-2497
818-247-6000
sales@glenair.com
www.glenair.com

New Mighty Mouse Layouts with Size #8 Quadrax, Twinax, Coax or Power Contacts

Table of Contents and Introduction



Mighty Mouse
with #8 Contacts

PRODUCT SELECTION GUIDE

K



Series 801 Plug and Receptacle Connectors

Rugged double-start ACME mating threads.

Page K-6



Series 805 Plug and Receptacle Connectors

Rugged Triple-Start ACME mating threads, EMI ground spring, ratchet anti-decoupling mechanism.

Page K-13



#8 Power Contacts

Power contacts are supplied with connectors or ordered separately.

Page K-19



75 Ohm Coax Contacts for High-Frequency Video

DC - 4GHz. For RS170 and SMPTE 292M video cables.

Page K-21



50 Ohm Coax Contacts for LLSB-200 Low Loss Cable

DC - 2.5GHz.

Page K-23



Quadrax Contacts for 100BASE-T Ethernet

Size 8 multi-pin contacts with four signal pins and an outer contact body. Used for ARINC 664 100BASE-T Ethernet

Page K-25



Concentric Twinax Contacts for MIL-STD-1553 Databus

Page K-27



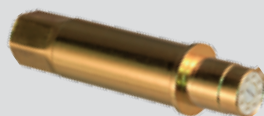
100 Ohm Differential Twinax Contacts for Controlled Impedance Shielded Pair Cable

Page K-29



Coax Contacts for Rg180 Cable

Page K-31



100 Ohm El Ochito® Contacts for 10G Ethernet

Page K-33

Dimensions in Inches (millimeters) are subject to change without notice.



Mighty Mouse Connectors with Size #8 Quadrax, Twinax, Coax or Power Contacts

General Information

K



Series 805 Plug
with Quadrax Contacts



Series 801 Plug
with #8 Power Contacts

MIGHTY MOUSE

- Size #8 contacts
- 1, 2, 3, 4 or 5 contacts
- Snap-in, rear-release
- Quadrax, Twinax, Coax, El Ochito® or power contacts
- Lightweight, low profile
- Comprehensive range of assembly tooling

Now Available, Mighty Mouse Connectors with Industry—Standard size 8 Quadrax, Coax, Twinax, El Ochito® and Power Contacts

New Mighty Mouse connectors have size #8 snap-in, rear-release contacts for power and data applications. Available with 1, 2, 3, 4 or 5 contacts, these connectors meet the need for a low-profile, lightweight connector compatible with size #8 twinax, quadrax and Coax contacts used in MIL-DTL-38999 connectors. Quadrax contacts are 100 ohm impedance for Ethernet networks. Concentric Twinax contacts accept M17/176-000 cable for MIL-STD-1553 databus. 75 ohm coaxial contacts accept aerospace-grade SMPTE 424M high bit rate digital video cable. Power contacts accept size #8 AWG wire for up to 46 amps continuous duty.

Series 80 Mighty Mouse Connectors, Cordsets and Accessories

Save weight and space with the Glenair Mighty Mouse. The Series 80 product family includes 68 contact arrangements and a wide variety of styles to fit every application. Widely used in aerospace, tactical and harsh environment equipment, the Mighty Mouse connector is unequalled for versatility and availability.



Dimensions in Inches (millimeters) are subject to change without notice.

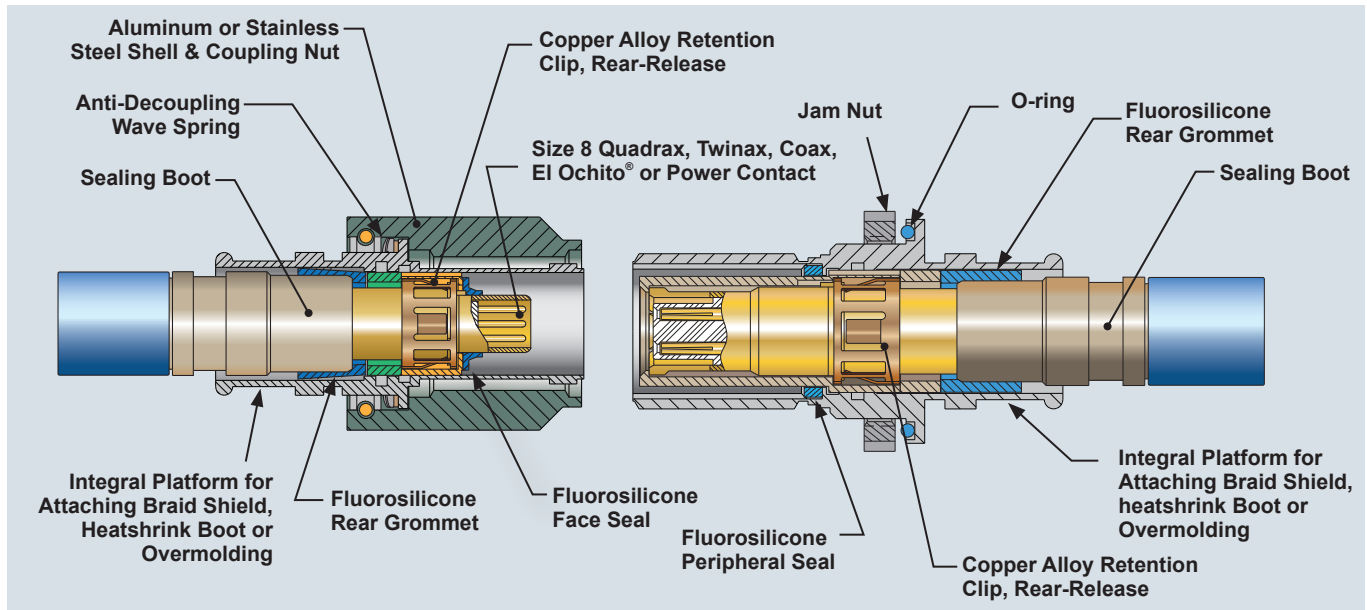
Mighty Mouse Connectors with Size #8 Quadrax, Twinax, Coax or Power Contacts

General Information



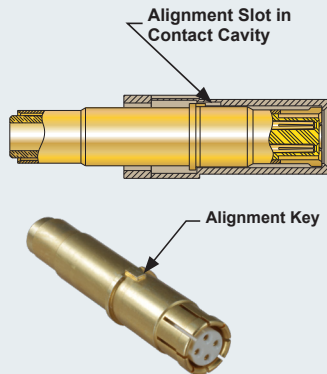
Mighty Mouse
with #8 Contacts

K



About Keyed Contacts

Mighty Mouse connectors with size #8 cavities have an alignment slot inside the contact cavity. Quadrax, differential twinax and El Ochito® contacts have an alignment key to properly orient the contact.



Connector Specifications

Current Rating	#8 power contacts 46 Amps. For coax, twinax, quadrax, and El Ochito® contacts refer to following pages
Dielectric Withstanding Voltage	1800 VAC Sea Level
Insulation Resistance	5000 megohms minimum
Operating Temperature	-65° C. to +175° C.
Shock	300 g.
Vibration	37 g.
Shielding Effectiveness	55 dB minimum from 100MHz to 1000MHz.
See Series 80 Mighty Mouse catalog for complete performance specs.	

Materials and Finishes

Shells, Jam Nuts	Aluminum alloy or stainless steel
Contacts	Copper alloy, 50 µlnch gold plated
Insulator	High-grade rigid dielectric
Contact Retention Clip	Beryllium copper alloy
Interfacial Seal, O-rings, Wire Sealing Grommet	Fluorosilicone rubber
See Series 80 Mighty Mouse catalog for complete material and finish specs.	

Size #8 Metal Inserts

No of Contacts	Series 800, 802, 803, 804	801	805
1	8G1	8G1	10G1
2	14G2	16G2	18G2
3	15G3	17G3	19G3
4	19G4	19G4	21H4
5	21G5	21G5	23G5

Rev. 11/14/17

Dimensions in Inches (millimeters) are subject to change without notice.

© 2014 Glenair, Inc.

Series 80 Mighty Mouse

U.S. CAGE Code 06324

Printed in U.S.A.

GLENAIR, INC. • 1211 AIR WAY • GLENDALE, CA 91201-2497 • 818-247-6000 • FAX 818-500-9912
www.glenair.com K-3 E-Mail: sales@glenair.com



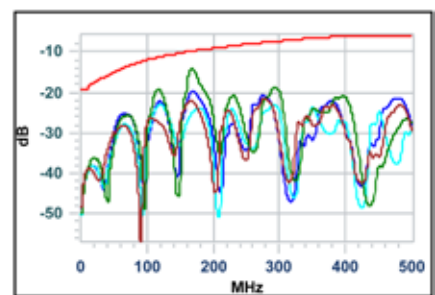
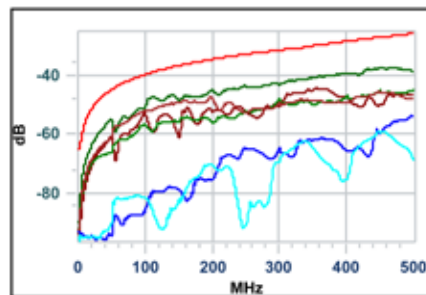
Series 80 Mighty Mouse Introducing El Ochito™ “The Little Eight” New Technology Overview

K



- El Ochito™ (“The Little Eight”): Eight miniaturized contacts in a size #8 shielded module
- With low-insertion-force Stinger contact technology
- One Full Ethernet channel per cavity
- 100% drop-in solution to installed connectors—no redesign or reinstallation of interfaces
- Full inter- and intra-pair shielding—all cable shielding virtues preserved through contact cavity
- Dramatic cable weight reduction compared to QuadraX links
- Ideal high-speed copper interface for IFE video and other high datarate applications

Dramatic size and weight reduction in 1G/10G Ethernet networks, available now with the Series 80 Mighty Mouse El Ochito™



El Ochito™ is a drop-in solution for Series 80 Mighty Mouse, as well as EN4165, and ARINC connectors

How-To-Order El Ochito™ Contacts	
Size 8 Ochito 26-AWG Crimp Pin	Size 8 Ochito 26-AWG Crimp Socket
858-003-01 858-003-01F (with optional grommet follower)	858-004-01 858-004-01F (with optional grommet follower)

Dimensions in Inches (millimeters) are subject to change without notice.

Mighty Mouse Connectors with Size #8 Quadradx, Twinax, Coax, Power and EI Ochito Contacts

Insert Arrangements



Mighty Mouse
with #8 Contacts

K

Series 801 and 805 Mighty Mouse size 8 contact arrangements

Mighty Mouse #8 Contact Arrangements					
Mating Face					
Series 801	8-1	16-2	17-3	19-4	21-5
Series 805	10-1	18-2	19-3	21-4	23-5

Series 801 and 805 Mighty Mouse size 8 combo contact arrangements

Combo Contact Arrangements		
Shell Size Contact Arr.	No. of Contacts	
	#23	8
Series 801		
16-208	32	1
17-205	40	1
19-201	44	2
19-202	12	4
21-200	28	4
Series 805		
18-208	32	1
19-205	40	1
21-201	44	2
21-202	12	4
23-200	28	4

Mighty Mouse #8 Combo Contact Arrangements			
Mating Face			
Series 801	16-208	17-205	19-201
Series 805	18-208	19-205	21-201

Mighty Mouse #8 Combo Contact Arrangements		
Mating Face		
Series 801	19-202	21-200
Series 805	21-202	23-200

Dimensions in Inches (millimeters) are subject to change without notice.



Series 801 Mighty Mouse Plug Connector with Size #8 Quadrax, Twinax, Coax or Power Contacts

801-007 and 801-008 Ordering Information

K



Series 801 Plug Connectors with Size #8 Contacts

New Mighty Mouse contact arrangements accept size #8 contacts for power, Ethernet or high frequency coax applications. Series 801 Mighty Mouse plugs feature damage-resistant double-start ACME mating threads. Available with anti-decoupling feature or vibration-resistant ratchet mechanism, these plugs are supplied with power contacts (contact types P or S). Or, specify contact types A or B for connectors supplied less contacts for use with quadrax, twinax or coax contacts purchased separately.

Contacts are crimp type and are snap-in, rear-release with plastic extraction tool sold separately. Aluminum or stainless steel shell, thermoplastic insulators, fluorosilicone rubber seals.

How To Order						
Sample Part Number	801-007	-16	M	8-1	P	A
Series (See Table I)	801-007 = Plug with Banding Platform 801-008 = Plug with Accessory Thread					
Shell Style	-16 = Plug with Anti-Decoupling Spring -26 = Self-Locking Plug with Ratchet Mechanism					
Shell Material and Finish	M = Aluminum / Electroless Nickel RoHS Compliant NF = Aluminum / Cadmium with Olive Drab Chromate ZR = Aluminum / Zinc-Nickel with Non-Reflective Black Chromate RoHS Compliant MT = Aluminum / Nickel-PTFE RoHS Compliant Z1 = Stainless Steel / Passivated RoHS Compliant					
Shell Size - Insert Arrangement	8-1, 16-2, 16-208, 17-3, 17-205, 19-4, 19-201, 19-202, 21-5, 21-200 (See page K-5)					
Contact Type	Connector supplied with size #8 power contacts P = Pin with #8 Power Contacts S = Socket with #8 Power Contacts		Connector supplied without contacts (Order quadrax, twinax or coax contacts separately.) A = Pin Connector, Less Contacts B = Socket Connector, Less Contacts			
Shell Key Positions (See Table II)	A = Normal B = Pos. B C = Pos. C D = Pos. D E = Pos. E F = Pos. F					

Table I: Series	
801-007 Plug with Banding Platform	801-008 Plug with Accessory Thread

Table II: Shell Key Positions			
Position	A°	B°	
A	150°	210°	
B	75°	210°	
C	95°	230°	
D	140°	275°	
E	75°	275°	
F	95°	210°	

Dimensions in Inches (millimeters) are subject to change without notice.

Series 801 Mighty Mouse Plug Connector with Size #8 Quadrax, Twinax, Coax or Power Contacts

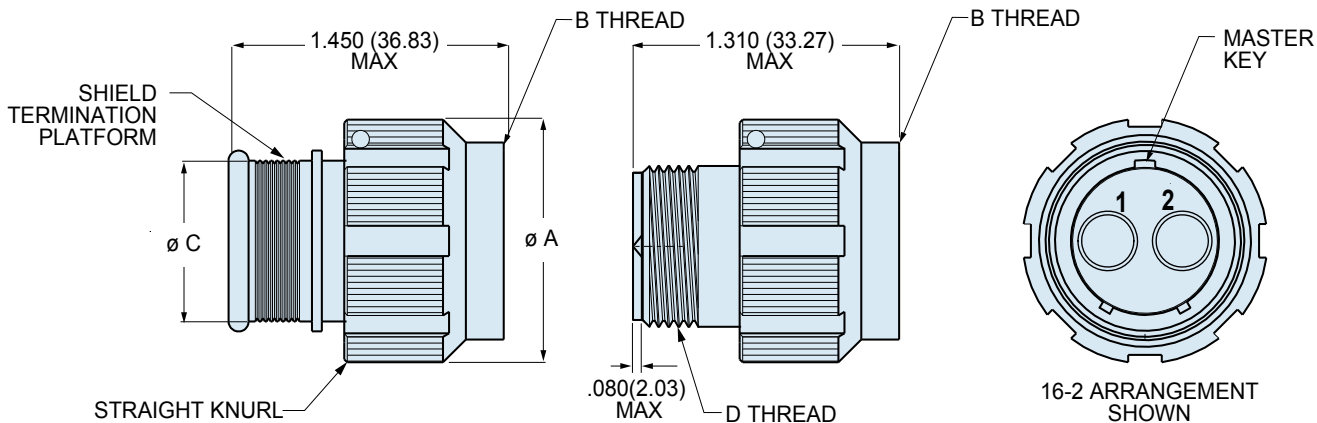
801-007 and 801-008 Dimensions



Mighty Mouse
with #8 Contacts

Plug with anti-decoupling or self-locking mechanism - shell style 16/26

K



Integral Band Platform
801-007

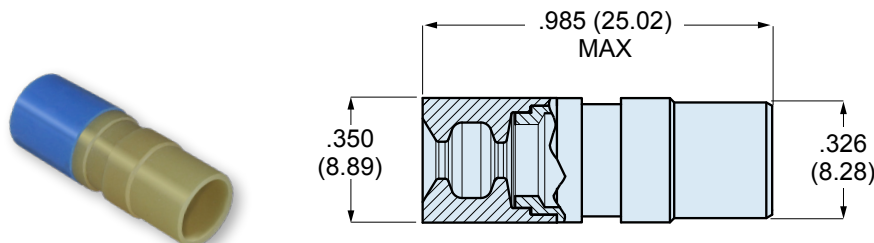
Accessory Thread
801-008

Dimensions								
Shell Size.	Style 16		Style 26		B Thread	Ø C		D Thread UNEF-2A
	Ø A		Ø A			In.	mm.	
	In.	mm.	In.	mm.				
8	.750	19.05	.830	21.59	.5000-.05P-.1L-2B	.445	11.30	.5000-28
16	1.240	31.50	1.340	34.04	1.000-.1P-.2L-2B	.805	20.45	.9375-20
17	1.300	33.02	1.400	35.56	1.062-.1P-.2L-2B	.850	21.59	.9375-20
19	1.400	35.56	1.500	38.10	1.1875-.1P-.2L-DS-2B	1.003	25.48	1.0625-18
21	1.550	39.37	1.650	41.91	1.3125-.1P-.2L-2B	1.110	28.19	1.1875-18

Sealing Boot

Sealing boot provides wire seal. Slide boot onto wire before terminating contact. After contact is installed in connector, slide boot forward into connector grommet to seal the contact cavity. "F" suffix added on contact part number specifies contact supplied with sealing boot P/N 859-042-03.

Wire Dia. (in.)	Wire Dia. (mm.)	Part Number
.170 - .205	4.3 - 5.2	859-042-03



Dimensions in Inches (millimeters) are subject to change without notice.



Series 801 Mighty Mouse Receptacle Connector with Size #8 Quadrax, Twinax, Coax or Power Contacts

801-009 and 801-010 Ordering Information

K



Series 801 Receptacle Connectors with Size #8 Contacts

New Mighty Mouse contact arrangements accept size #8 contacts for power, Ethernet or high frequency coax applications. Series 801 Mighty Mouse receptacles feature damage-resistant double-start ACME mating threads. Available for rear panel jam nut mounting, in-line or square flange styles, these receptacles are supplied with power contacts (contact types P or S). Or, specify contact types A or B for connectors supplied less power contacts for use with quadrax, twinax or coax contacts purchased separately. Contacts are crimp type and are snap-in, rear-release with plastic extraction tool sold separately. Aluminum or stainless steel shell, thermoplastic insulators, fluorosilicone rubber seals.

How To Order						
Sample Part Number	801-010	-02	Z1	17-3	P	A
Series (See Table I)	801-009 = Receptacle with Banding Platform 801-010 = Receptacle with Accessory Thread					
Shell Style	-01 = In-Line For Free-Hanging Cables -02 = Square Flange For Front or Rear Mounting -12 = Square Flange For Rear Mounting with Non-Locking Clinch Nuts -22 = Square Flange For Rear Mounting with Locking Clinch Nuts -07 = Jam Nut For Rear Panel Mounting					
Shell Material and Finish	M = Aluminum / Electroless Nickel RoHS Compliant NF = Aluminum / Cadmium with Olive Drab Chromate ZR = Aluminum / Zinc-Nickel with Non-Reflective Black Chromate RoHS Compliant MT = Aluminum / Nickel-PTFE RoHS Compliant Z1 = Stainless Steel / Passivated RoHS Compliant					
Shell Size - Insert Arrangement	8-1, 16-208, 16-2, 17-3, 17-205, 19-4, 21-5, 19-201, 19-202, 21-200 (See page K-5)					
Contact Type	Connector supplied with #8 power contacts P = Pin with #8 Power Contacts A = Pin Connector, Less Contacts			Connector supplied without contacts (Order quadrax, twinax or coax contacts separately.) S = Socket with #8 AWG Power Contacts B = Socket Connector, Less Contacts		
Shell Key Positions (See Table II)	A = Normal B = Pos. B C = Pos. C D = Pos. D E = Pos. E F = Pos. F					

Table I: Series	
801-009 Receptacle with Banding Platform	801-010 Receptacle with Accessory Thread

Table II: Shell Key Positions			
Position	A°	B°	
A	150°	210°	
B	75°	210°	
C	95°	230°	
D	140°	275°	
E	75°	275°	
F	95°	210°	

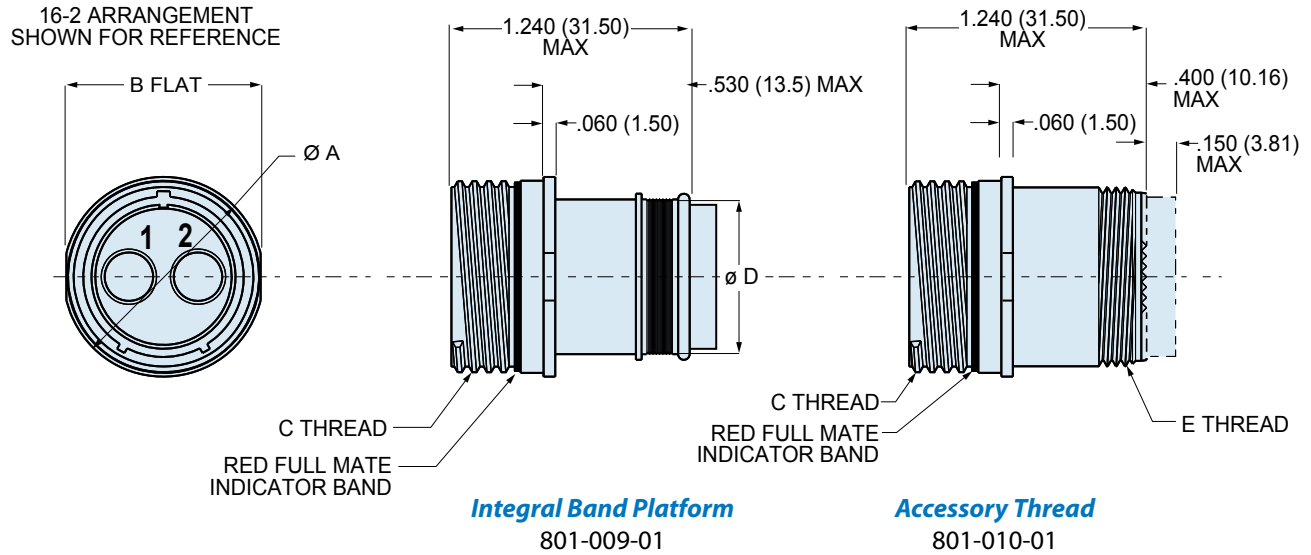
Dimensions in Inches (millimeters) are subject to change without notice.

Series 801 In-Line Mighty Mouse Receptacle with Size #8
 Quadrax, Twinax, Coax or Power Contacts
 801-009 and 801-010 - Shell Style -01 Dimensions



Mighty Mouse
 with #8 Contacts

In-line cable receptacle with band platform or accessory thread

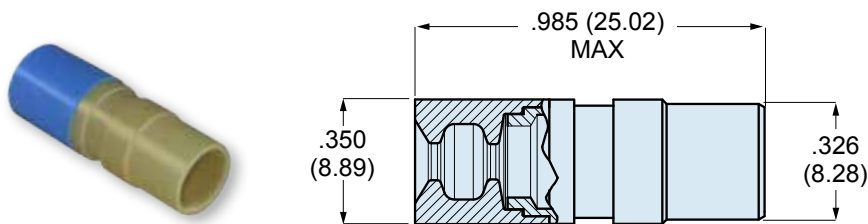


Dimensions								
Shell Size	Ø A		B Flat		C Thread	Ø D		E Thread UNEF-2A
	In.	mm.	In.	mm.		In.	mm.	
8	.540	13.72	.510	12.95	.5000-.05P-.1L-DS-2A	.445	11.30	.5000-28
16	1.040	26.42	1.010	25.65	1.000-.1P-.2L-DS-2A	.805	20.45	.9375-20
17	1.110	28.19	1.070	27.18	1.0625-.1P-.2L-DS-2A	.850	21.59	.9375-20
19	1.243	31.57	1.191	30.25	1.1875-.1P-.2L-DS-2A	.956	24.28	1.0625-18
21	1.405	35.69	1.385	35.18	1.3125-.1p-.2L-DS-2a	1.110	28.19	1.1875-18

Sealing Boot

Sealing boot provides wire seal. Slide boot onto wire before terminating contact. After contact is installed in connector, slide boot forward into connector grommet to seal the contact cavity. "F" suffix added on contact part number specifies contact supplied with sealing boot P/N 859-042-03.

Wire Dia. (in.)	Wire Dia. (mm.)	Part Number
.170 - .205	4.3 - 5.2	859-042-03



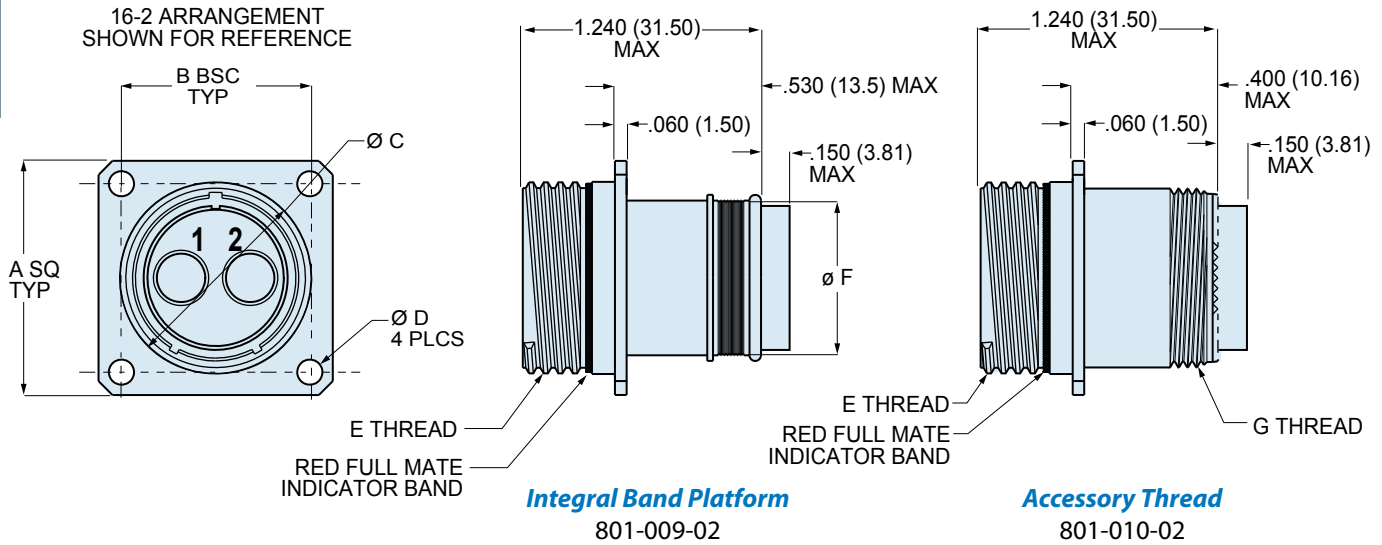
Dimensions in Inches (millimeters) are subject to change without notice.



Series 801 Square Flange Mighty Mouse Receptacle with
Size #8 Quadrax, Twinax, Coax or Power Contacts
801-009 and 801-010 - Shell Style -02 Dimensions

K

Square flange receptacle with band platform or accessory thread



Dimensions												
Shell Size	A		B BSC		Ø C		Ø D		E Thread	Ø F		G Thread UNEF-2A
	In.	mm.	In.	mm.	In.	mm.	In.	mm.		In.	mm.	
8	.712	18.08	.545	13.84	.938	23.83	.093	2.36	.5000-.05P-.1L-DS-2A	.445	11.30	.5000-28
16	1.219	30.96	.981	24.92	1.625	41.28	.128	3.25	1.000-.1P-.2L-DS-2A	.805	20.45	.9375-20
17	1.280	32.51	1.060	26.92	1.700	43.18	.128	3.25	1.0625-.1P-.2L-DS-2A	.850	21.59	.9375-20
19	1.432	36.37	1.191	30.25	1.900	48.26	.128	3.25	1.1875-.1P-.2L-DS-2A	.956	24.28	1.0625-18
21	1.565	39.32	1.322	33.61	2.100	53.34	.128	3.25	1.3125-.1P-.2L-DS-2a	1.110	28.19	1.1875-18

Square Flange Panel Cutout						
Shell Size	Ø A		B BSC		Ø C	
	In.	mm.	In.	mm.	In.	mm.
8	.515	13.08	.545	13.84	.093	2.36
16	1.015	25.78	.981	24.92	.128	3.25
17	1.078	27.38	1.060	26.92	.128	3.25
19	1.203	30.56	1.191	30.25	.128	3.25
21	1.325	33.66	1.205	30.61	.128	3.25

Dimensions in Inches (millimeters) are subject to change without notice.

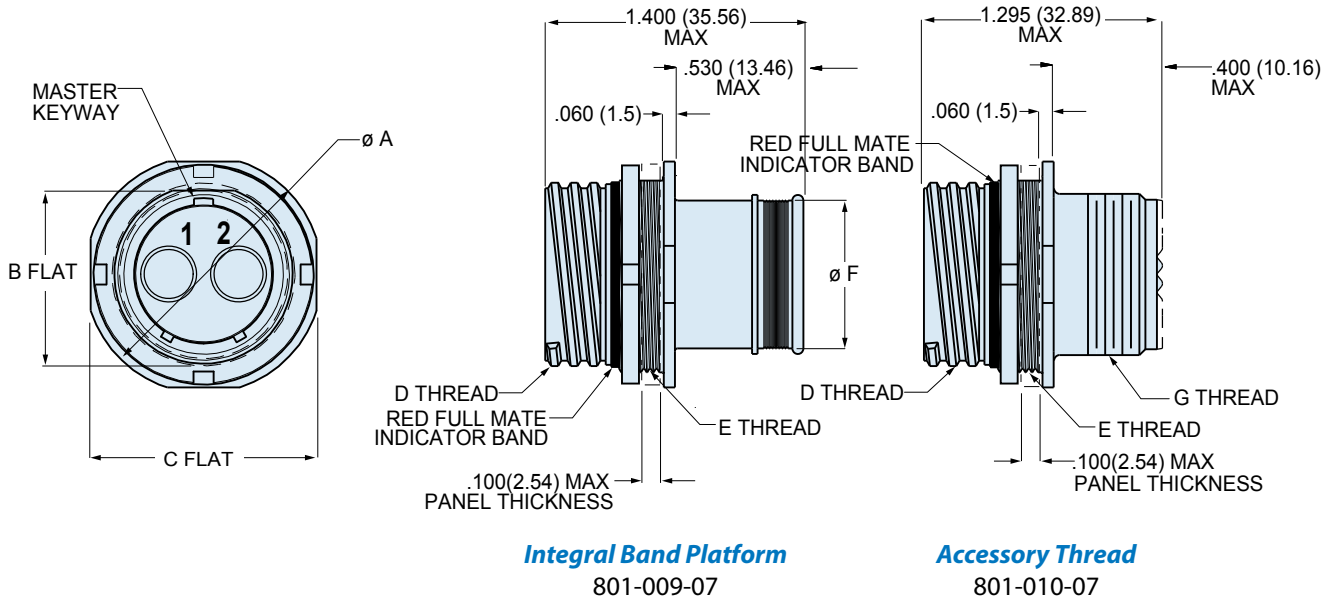
Series 801 Jam Nut Mighty Mouse Receptacle with Size #8 Quadrax, Twinax, Coax or Power Contacts
801-009 and 801-010 - Shell Style -07 Dimensions



Mighty Mouse
with #8 Contacts

K

Jam nut rear panel mount receptacle with band platform or accessory thread



Integral Band Platform
801-009-07

Accessory Thread
801-010-07

Dimensions											
Shell Size	Ø A		B Flat		C Flat		D Thread	E Thread UN-2A	Ø F		G Thread UNEF-2A
	In.	mm.	In.	mm.	In.	mm.			In.	mm.	
8	.755	19.77	.536	13.61	.723	18.36	.5000-.05P-.1L-DS-2A	.5625-32	.445	11.30	.5000-28
16	1.264	32.11	1.022	25.96	1.230	31.24	1.000-.1P-.2L-DS-2A	1.0625-20	.805	20.45	.9375-20
17	1.325	33.66	1.096	27.84	1.290	32.77	1.0625-.1P-.2L-DS-2A	1.125-28	.850	21.59	.9375-20
19	1.450	36.83	1.225	31.12	1.415	35.94	1.1875-.1P-.2L-DS-2A	1.250-28	.956	24.28	1.0625-18
21	1.625	41.28	1.345	34.16	1.577	40.06	1.3125-.1p-.2l-DS-2a	1.375-28	1.110	28.19	1.1875-18

Jam Nut Panel Cutout				
Shell Size	A Flat		Ø B	
	In. ± .002	mm. ± 0.05	In. ± .002	mm. ± 0.05
8	.542	13.77	.573	14.55
16	1.028	26.11	1.075	27.31
17	1.102	27.99	1.135	28.83
19	1.233	31.32	1.260	32.00
21	1.354	34.39	1.385	35.18

Dimensions in Inches (millimeters) are subject to change without notice.

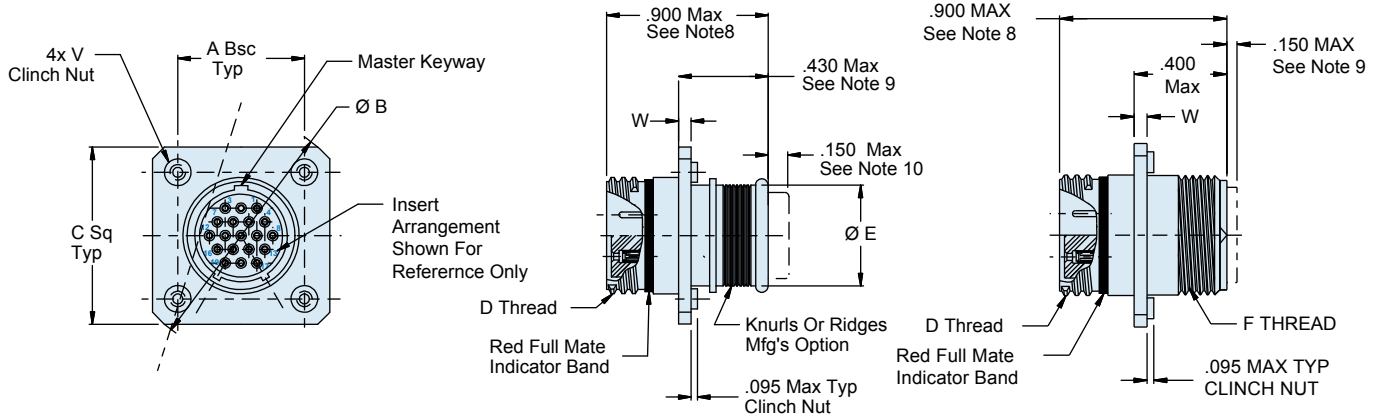


Series 801 Square Flange Mighty Mouse Receptacle with Size #8 Quadrax, Twinax, Coax or Power Contacts

801-009 and 801-010 - Shell Style -12 and -22 Dimensions

K

Square flange rear panel mount receptacle with band platform or accessory thread



Integral Band Platform
801-009-12

Accessory Thread
801-010-12

Dimensions													
Shell Size	A Bsc		ØB		C Sq.		D Thread	Ø E		F Thread	V Clinch Nuts	W	
	In.	mm.	In.	mm.	In.	mm.		In.	mm.			In.	mm.
8	0.545	13.84	1.032	26.21	0.805	20.45	.5000-.05P-.1L-DS-2A	.445	11.30	.5000-28 UNEF-2A	2-56	.030	.76
16	0.981	24.92	1.708	43.38	1.301	33.05	1.0000-.05P-.1L-DS-2A	.805	20.45	.9375-28 UNEF-2A	4-40	.060	1.52
17	1.060	26.92	1.822	46.28	1.382	35.10	1.0625-.05P-.1L-DS-2A	.850	21.59	.9375-28 UNEF-2A			
19	1.191	30.25	2.006	50.95	1.511	38.38	1.1875-.05P-.1L-DS-2A	1.003	25.48	1.0625-28 UNEF-2A			
21	1.322	33.58	2.190	55.63	1.642	41.71	1.3125-.05P-.1L-DS-2A	1.110	28.19	1.1875-28 UNEF-2A			

Square Flange Panel Cutout						
Shell Size	A Bsc		ØB		C Sq.	
	In.	mm.	In.	mm.	In.	mm.
8	.545	13.84	.515	13.08	.096 .091	2.44 2.31
16	.981	24.92	1.015	25.78	.130 .126	3.30 3.20
17	1.060	26.92	1.078	27.38		
19	1.191	30.25	1.203	30.56		
21	1.322	33.58	1.328	33.73		

**-02 Flange
-12 & 22 Flange**

Dimensions in Inches (millimeters) are subject to change without notice.

Series 805 Mighty Mouse Size #8 Connector Plug with Quadrax, Twinax, Coax or Power Contacts

805-001 and 805-002 - Shell Style -16 Ordering Information



Mighty Mouse with #8 Contacts

K



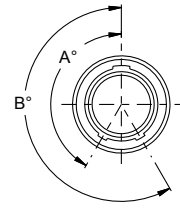
Series 805 Plug Connectors with Size #8 Contacts

Series 805 Mighty Mouse plugs feature damage-resistant triple start ACME mating threads, anti-decoupling ratchet and ground spring for EMI protection. New Mighty Mouse contact arrangements accept size #8 contacts for power, Ethernet or high frequency coax applications. Available with integral band platform or accessory attachment threads, these plugs are supplied with power contacts for AWG #8 wire (contact types P or S). Or, specify contact types A or B for connectors supplied less power contacts for use with quadrax, twinax or coax contacts purchased separately. Contacts are crimp type and are snap-in, rear-release with plastic extraction tool sold separately. Aluminum or stainless steel shell, thermoplastic insulators, fluorosilicone rubber seals.

How To Order						
Sample Part Number	805-001	-16	M	19-205	P	A
Series (See Table I)	805-001 = Plug with Banding Platform 805-002 = Plug with Rear Accessory Thread					
Shell Style	-16 = Plug with Anti-Decoupling Ratchet					
Shell Material and Finish	M = Aluminum / Electroless Nickel RoHS Compliant NF = Aluminum / Cadmium with Olive Drab Chromate ZR = Aluminum / Zinc-Nickel with Non-Reflective Black Chromate RoHS Compliant MT = Aluminum / Nickel-PTFE RoHS Compliant Z1 = Stainless Steel / Passivated RoHS Compliant					
Shell Size - Insert Arrangement (See Table II)	10-1, 18-2, 19-3, 21-4, 23-5, 18-208, 19-205, 21-201, 21-202, 23-200 (See page K-5)					
Contact Type	Connector supplied with size #8 contacts P = Pin with #8 Power Contacts S = Socket with #8 AWG Power Contacts			Connector supplied without contacts (Order quadrax, twinax or coax contacts separately.) A = Pin Connector, Less Contacts B = Socket Connector, Less Contacts		
Shell Key Positions (See Shell Key Position Table)	A = Normal B = Pos. B C = Pos. C D = Pos. D E = Pos. E F = Pos. F					

Table I: Series	
805-001 Plug with Banding Platform	805-002 Plug with Accessory Thread

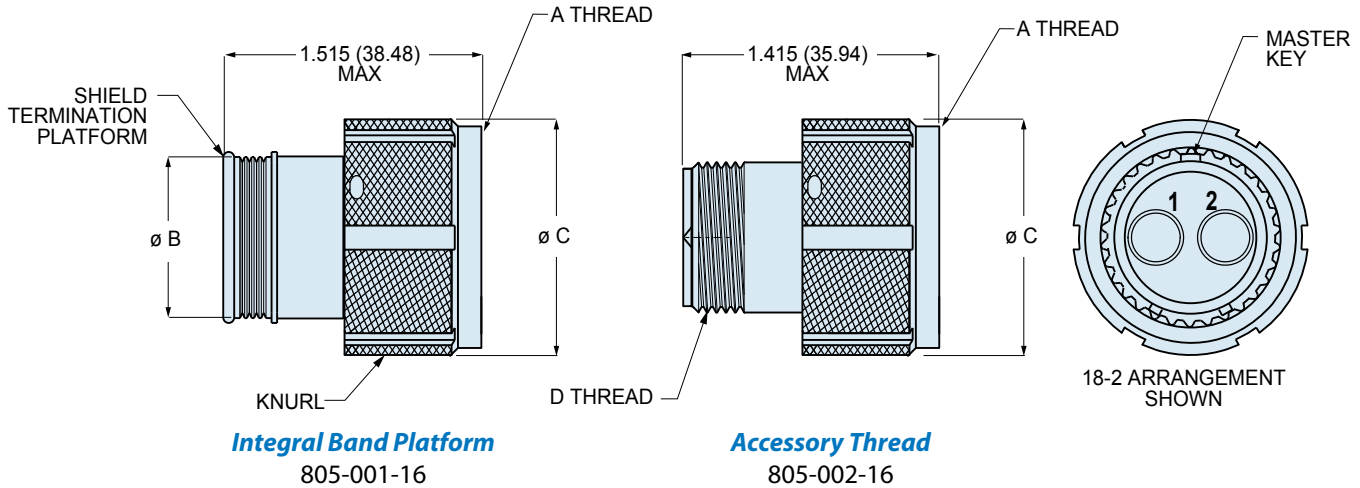
Table II: Shell Key Positions		
Position	A°	B°
A	150°	210°
B	75°	210°
C	95°	230°
D	140°	275°
E	75°	275°
F	95°	210°



Dimensions in Inches (millimeters) are subject to change without notice.

K

Plug with band platform or accessory thread - shell style 16



Integral Band Platform
805-001-16

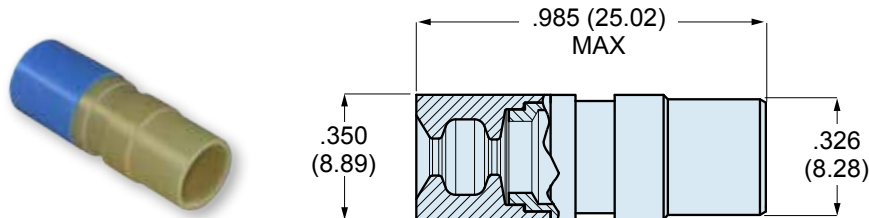
Accessory Thread
805-002-16

Dimensions						
Shell Size	A Threads	Ø B		Ø C		D Threads Accessory
		In.	mm.	In.	mm.	
10-1	.6250-1P-3L-TS-2B	.472	11.99	.827	21.01	.5000-28 UNEF-2A
18-2	1.1250-1P-3L-TS-2B	.884	22.45	1.287	32.69	.9375-20 UNEF-2A
19-3	1.1875-1P-3L-TS-2B	.884	22.45	1.311	33.30	.9375-20 UNEF-2A
21-4	1.3125-1P-3L-TS-2B	1.003	25.48	1.448	36.78	1.0625-18 UNEF-2A
23-5	1.4375-1P-3L-TS-2B	1.135	28.83	1.562	39.67	1.1875-18 UNEF-2A

Sealing Boot

Sealing boot provides wire seal. Slide boot onto wire before terminating contact. After contact is installed in connector, slide boot forward into connector grommet to seal the contact cavity. "F" suffix added on contact part number specifies contact supplied with sealing boot P/N 859-042-03.

Wire Dia. (in.)	Wire Dia. (mm.)	Part Number
.170 - .205	4.3 - 5.2	859-042-03

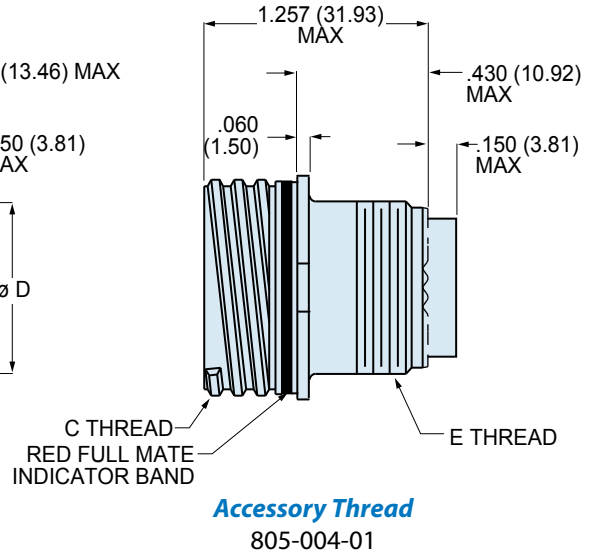
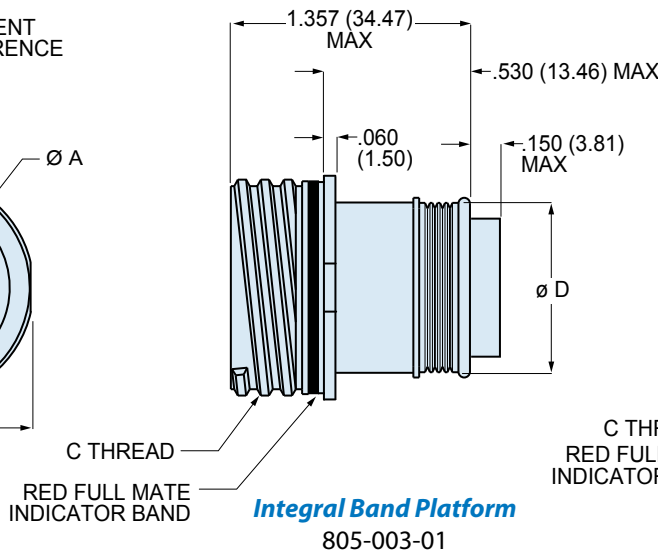
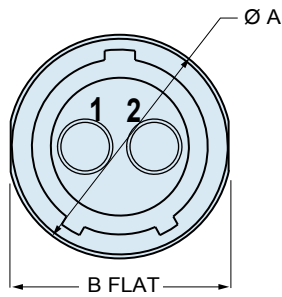


Dimensions in Inches (millimeters) are subject to change without notice.

K

In-line receptacle with band platform or accessory thread

18-2 ARRANGEMENT
SHOWN FOR REFERENCE

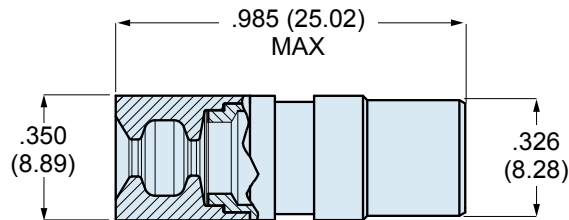


Dimensions								
Shell Size	Ø A		B Flat		C Threads	Ø D		E Threads
	In.	mm.	In.	mm.		In.	mm.	
10	.668	16.96	.638	16.21	.6250-.1P-.3L-TS-2A	.472	12.01	.5000-28 UNEF-2A
18	1.165	29.59	1.135	28.83	1.1250-.1P-.3L-TS-2A	.884	22.45	.9375-20 UNEF-2A
19	1.235	31.37	1.205	30.61	1.1875-.1P-.3L-TS-2A	.884	22.45	.9375-20 UNEF-2A
21	1.360	34.54	1.330	33.78	1.3125-.1P-.3L-TS-2A	1.003	25.48	1.0625-18 UNEF-2A
23	1.485	37.72	1.455	36.96	1.4375-.1P-.3L-TS-2A	1.134	28.80	1.1875-18 UNEF-2A

Sealing Boot

Sealing boot provides wire seal. Slide boot onto wire before terminating contact. After contact is installed in connector, slide boot forward into connector grommet to seal the contact cavity. "F" suffix added on contact part number specifies contact supplied with sealing boot P/N 859-042-03.

Wire Dia. (in.)	Wire Dia. (mm.)	Part Number
.170 - .205	4.3 - 5.2	859-042-03



Dimensions in Inches (millimeters) are subject to change without notice.

Series 805 Mighty Mouse Size #8 Connector Receptacle with Quadrax, Twinax, Coax or Power Contacts

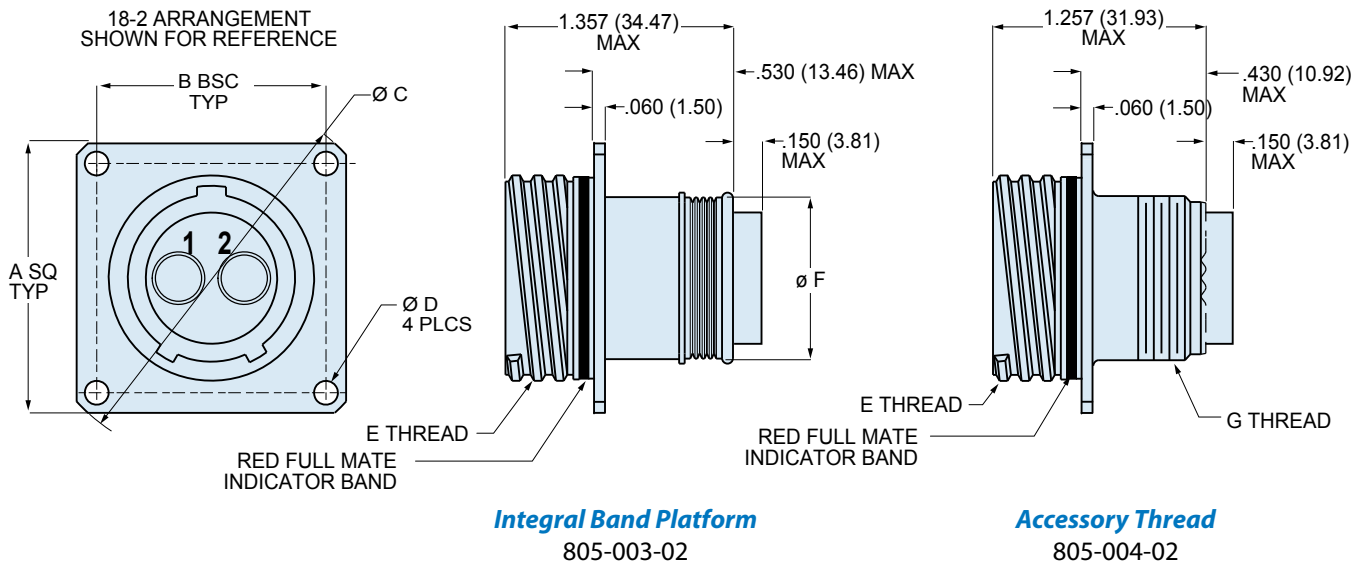
Series 805-003 and 805-004 - Style 02 Dimensions



Mighty Mouse
with #8 Contacts

K

Square flange front or rear mount receptacle with band platform or accessory thread



Shell Size	Dimensions											
	A Sq		B Bsc		Ø C		Ø D		E Threads	Ø F		G Threads
	In.	mm.	In.	mm.	In.	mm.	±.003	±.008		In.	mm.	
10	.975	24.77	.785	19.94	1.330	33.78	.094	2.39	.6250-1P-3L-TS-2A	.472	12.01	.5000-28 UNEF-2A
18	1.475	37.47	1.255	31.88	2.000	50.80	.128	3.25	1.1250-1P-3L-TS-2A	.884	22.45	.9375-20 UNEF-2A
19	1.537	71.06	1.327	33.71	2.094	53.19	.128	3.25	1.1875-1P-3L-TS-2A	.884	22.45	.9375-20 UNEF-2A
21	1.663	42.24	1.452	36.88	2.270	57.66	.128	3.25	1.3125-1P-3L-TS-2A	1.003	25.48	1.0625-18 UNEF-2A
23	1.787	45.39	1.570	39.88	2.440	61.98	.128	3.25	1.4375-1P-3L-TS-2A	1.134	28.80	1.1875-18 UNEF-2A

Shell Size	Square Flange Panel Cutout					
	Ø A		B Bsc		Ø C	
	In.	mm.	In.	mm.	In.	mm.
10	.640	16.26	.785	19.94	.093	2.36
18	1.140	28.96	1.255	31.88	.128	3.25
19	1.203	30.56	1.327	33.71	.128	3.25
21	1.328	33.73	1.452	36.88	.128	3.25
23	1.453	36.91	1.570	39.88	.128	3.25

Dimensions in Inches (millimeters) are subject to change without notice.

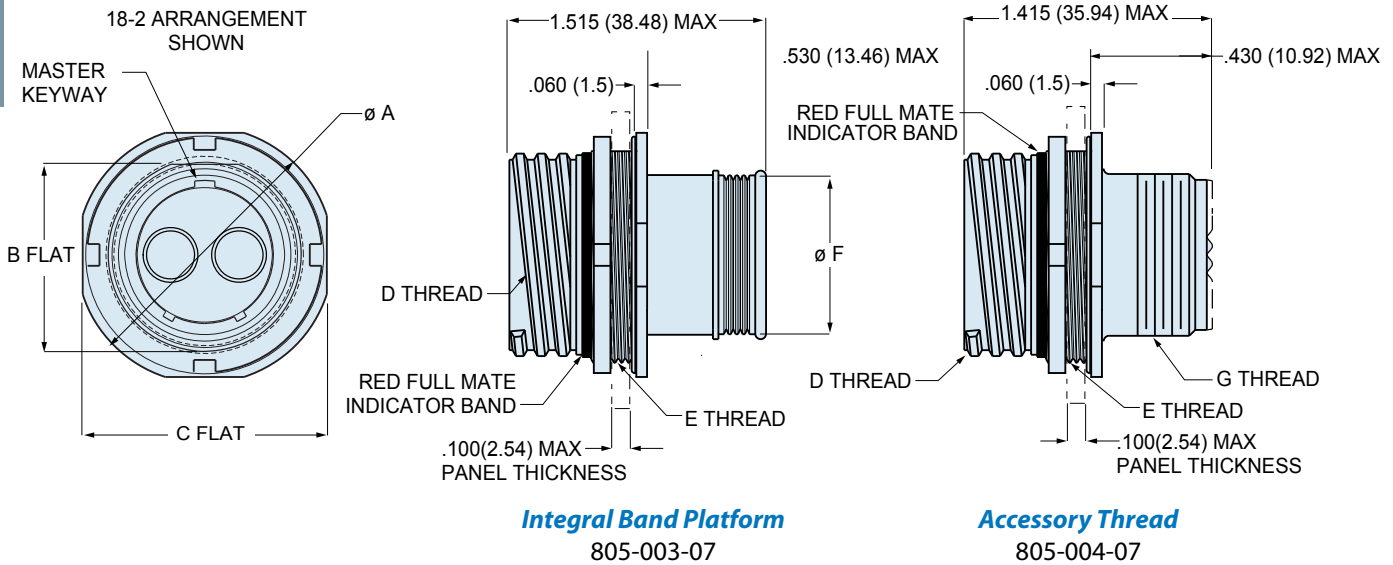


Series 805 Mighty Mouse Size #8 Connector Receptacle with Quadrax, Twinax, Coax or Power Contacts

Series 805-003 and 805-004 - Style 07 Dimensions

K

Jam nut rear panel mount receptacle with band platform or accessory thread



Integral Band Platform
805-003-07

Accessory Thread
805-004-07

Dimensions											
Shell Size	Ø A		B Flat		C Flat		D Threads	E Threads	Ø F		G Threads
	In.	mm.	In.	mm.	In.	mm.			In.	mm.	
10	.880	22.35	.661	16.79	.850	21.59	.6250-.1P-.3L-TS-2A	.6875-28 UN-2A	.472	11.99	.5000-28 UNEF-2A
18	1.389	35.28	1.147	29.13	1.359	34.52	1.1250-.1P-.3L-TS-2A	1.1875-28 UN-2A	.884	22.45	.9375-20 UNEF-2A
19	1.450	36.83	1.221	31.01	1.420	36.07	1.1875-.1P-.3L-TS-2A	1.2500-28 UN-2A	.884	22.45	.9375-20 UNEF-2A
21	1.580	40.13	1.350	34.29	1.550	39.37	1.3125-.1P-.3L-TS-2A	1.3750-28 UN-2A	1.003	25.48	1.0625-18 UNEF-2A
23	1.705	43.31	1.470	37.34	1.675	42.55	1.4375-.1P-.3L-TS-2A	1.500-28 UN-2A	1.134	28.80	1.1875-18 UNEF-2A

Jam Nut Panel Cutout				
Shell Size	A Flat		Ø B	
	In. ± .002	mm. ± 0.05	In. ± .002	mm. ± 0.05
10	.671	17.04	.698	17.73
18	1.157	29.39	1.198	30.43
19	1.231	31.27	1.260	32.00
21	1.358	34.49	1.385	35.18
23	1.480	37.59	1.510	38.35

Dimensions in Inches (millimeters) are subject to change without notice.

Mighty Mouse Connectors with Size #8 Quadrax, Twinax, Coax or Power Contacts

Size #8 Power Contacts 850-013, 850-014



Mighty Mouse
with #8 Contacts

K

Size #8 power contacts

Power contacts accept #8 AWG wire. These contacts fit Mighty Mouse connectors with size 8 cavities. Supplied with sealing boot. 46 amp current rating. Gold-plated copper alloy. Socket contact has stainless steel hood. Conforms to SAE AS39029 requirements. Terminate with pneumatic crimp tool shown on next page.



Fig. 1
Pin

Fig. 2
Socket

Figure	Contact Type	Conductor Size	Part Number Contact Only	Part Number Contact and Sealing Boot
Fig. 1	Pin	#8	850-014	850-014F
Fig. 2	Socket	#8	850-013	850-013F

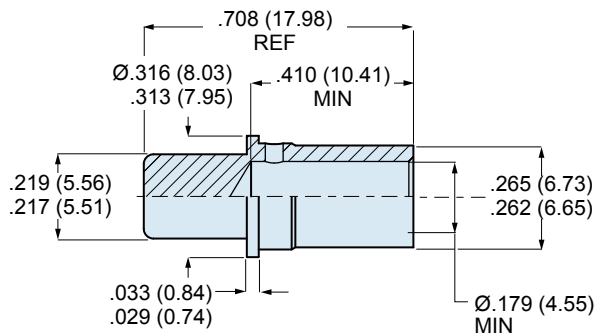


Fig. 1
Pin Contact 850-014

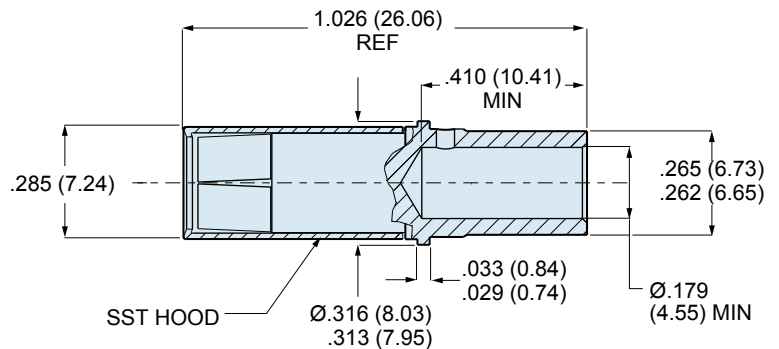


Fig. 2
Socket Contact 850-013

Materials, Finishes	
Contact material	Copper Alloy
Contact finish	50 microinches gold over nickel plating
Socket Contact Hood	Stainless steel, passivated

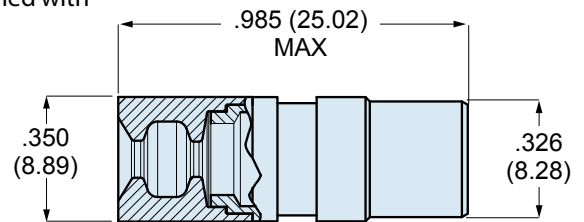
Specifications		
DESCRIPTION	REQUIREMENT	PROCEDURE
Test Current	46 Amperes	SAE AS39029 para. 4.7.5, EIA-364-06
Contact Resistance	26 millivolts maximum	SAE AS39029 para. 4.7.5, EIA-364-06
Minimum Separation Force	5 ounce minimum	SAE AS39029 para. 4.7.6, EIA-364-37
Crimp Tensile Strength	220 lbs. (978 newtons)	SAE AS39029 para. 4.7.9, EIA-364-08
Durability	500 mating cycles	SAE AS39029 para. 4.7.10

Size	Part Number	Military Part Number
#8	859-049	M81969/14-12

Sealing Boot

Sealing boot provides wire seal. Slide boot onto wire before terminating contact. After contact is installed in connector, slide boot forward into connector grommet to seal the contact cavity. "F" suffix added on contact part number specifies contact supplied with sealing boot P/N 859-042-03.

Wire Dia. (in.)	Wire Dia. (mm.)	Part Number
.170 - .205	4.3 - 5.2	859-042-03

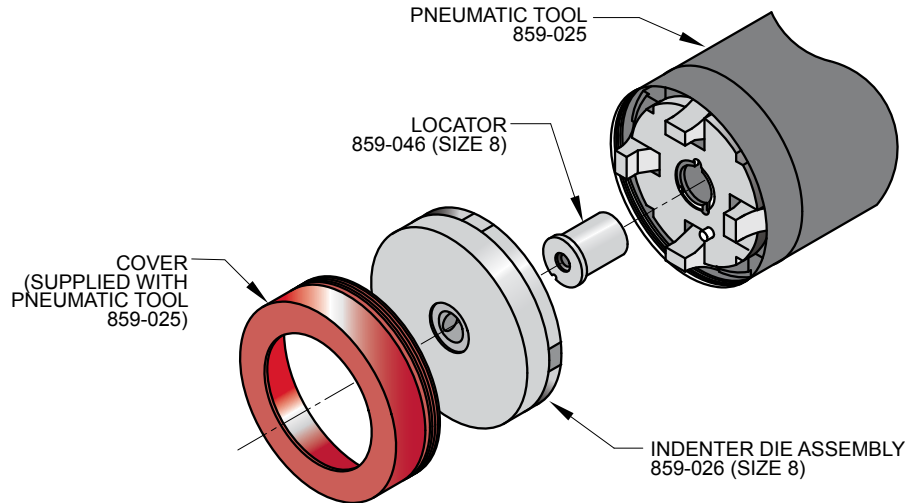


Dimensions in Inches (millimeters) are subject to change without notice.

K

Pneumatic crimp tool for #8 power contacts

The Daniels WA23 pneumatic crimp tool sets the standard for heavy duty crimping chores. This four-indent tool accommodates large power contacts ranging from size 8 through size 0000. Die plates and locators are purchased separately. Qualified to M22520/23, the WA23 tool is specified for use with SAE AS39029 closed barrel copper alloy contacts.



Pneumatic crimp tool



Bench mount heavy duty pneumatic indent crimp tool. Four-indent crimp termination. Use with closed barrel contact sizes 8 through 4/0. Attach to air supply with quick-disconnect fitting or install 1/4 NPT fitting into tapped port. 90-120 psi air supply. Requires die assembly and locator, sold separately. Hand actuate with push-button valve trigger on handle. Steel with black wrinkle enamel coating. 13 inches overall length, 9.2 inches tall, 17 pounds (7.7 Kg).

Description	Part Number	Military Part Number	Daniels Part Number
Pneumatic Crimper	859-025	M22520/23-01	WA23

Die assembly for size #8 contacts



Indenter Die Assembly. Precision four-indent die with hardened tool steel indenters, stainless steel housing, aluminum cap. Use with size #8 contacts. Go/ No Go calibration dimensions are stamped on face of tool. Approximately 3.3 inches (84mm.) diameter.

Description	Part Number	Military Part Number	Daniels Part Number
Die Assembly, Size #8	859-026	M22520/23-02	WA23-2

Locator for size #8 contacts



Aluminum locator holds contact at correct depth for crimping.

Description	Part Number	Military Part Number	Daniels Part Number
Locator, #8, Special	859-046	(none)	WA23-395L

Dimensions in Inches (millimeters) are subject to change without notice.

Mighty Mouse Connectors with Size #8 Quadrax, Twinax, Coax or Power Contacts

Size #8 75 Ohm Coax Contacts 852-056-01 and 852-057-01



Mighty Mouse with #8 Contacts

Size #8 coax contacts for 75 ohm video cable



Size 8 coax contacts fit aerospace-grade digital video cable. 75 ohm nominal impedance. 0-4 GHz frequency range. Crimp termination. Supplied as unassembled kit with contact body, center contact, outer ferrule and optional sealing boot. These snap-in, rear-release contacts fit Glenair Series 80 Mighty Mouse connectors and MIL-DTL-38999 Series I, III and IV connectors with size 8 contact cavities. Use with aerospace-grade video cable shown on next page. Gold-plated copper alloy, Fluoropolymer insulator.

K

Fig.	Contact Type	Part Number Contact Only	Part Number Contact and Sealing Boot	Sealing Boot
Fig. 1	Pin	852-056-01	852-056-01F	859-042-01
Fig. 2	Socket	852-057-01	852-057-01F	859-042-01

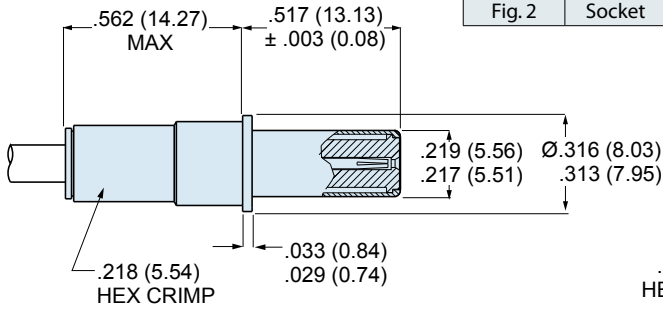


Fig. 1 Pin Contact
852-056-01

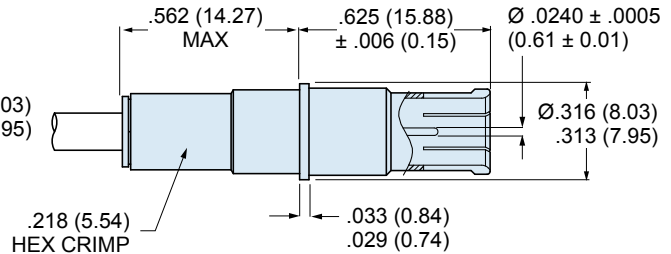


Fig. 2 Socket Contact
852-057-01

Materials, Finishes	
Contact body, center contact, ferrule	Copper Alloy
Contact finish	50 microinches gold over nickel plating
Dielectric	Fluoropolymer

Specifications	
DESCRIPTION	REQUIREMENT
Nominal Impedance	75 Ohms
Frequency Range	0 - 4 GHz
Dielectric Withstanding Voltage	1300 Vac sea level, 250 Vac at 50,000 feet
Insulation Resistance	5000 megohms minimum
Durability	500 mating cycles

Contact Removal Tool

Plastic tool extracts wired contact from connector. First, remove sealing boot, then insert tool from rear of connector.

Size	Part Number	Military Part Number
#8	859-049	M81969/14-12

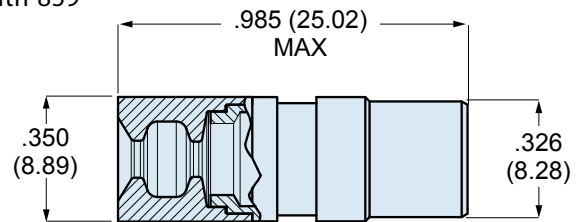


Sealing Boot

Optional sealing boot is recommended. Slide boot onto wire before terminating contact. After contact is installed in connector, slide boot forward into connector grommet to seal the contact cavity. "F" suffix on contact part number specifies contact supplied with 859-042-01 sealing boot.



Wire Dia. (in.)	Wire Dia. (mm.)	Part Number
.090 - .130	2.3 - 3.3	859-042-01
.130 - .170	3.3 - 4.3	859-042-02
.170 - .205	4.3 - 5.2	859-042-03



Dimensions in Inches (millimeters) are subject to change without notice.



Mighty Mouse Connectors with Size #8 Quadrax, Twinax, Coax or Power Contacts

Size #8 75 Ohm Coax Contacts 852-056-01 and 852-057-01

K

Termination tools for size #8 75 ohm coax contacts



Terminate contacts to coaxial cable with precision hand tools. The inner contact is terminated to the center conductor of the cable with a M22520/2-01 hand tool and bayonet-type positioner. The outer ferrule is terminated to the cable shield with a M22520/5-01 parallel action crimper and a hex die.

A M22520/2-01 crimper. Requires **B** positioner, ordered separately. These crimp tools perform precision indents for gas-tight wire terminations and excellent tensile strength. Length is 6.75 inches, weight is approx. 10 oz.

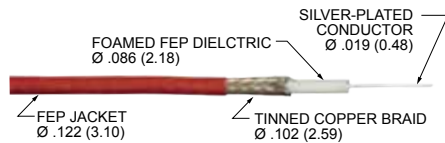
C Parallel action tool terminates cable shield to contact ferrule. Use with **D** hex crimp dies. 11 inches OAL, 2.0 pounds. Anodized aluminum frame, steel mechanism, plastic handles. Accepts all M22520/5 die sets.

B Positioner. Use with **A** crimper, ordered separately. Positioner holds contact at proper depth.

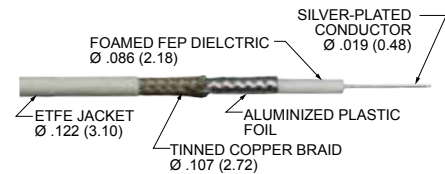
D Hex die set for terminating cable shield to contact ferrule. Hardened steel, black oxide finish.

Figure	Part Number	Military Part Number	Daniels Part Number
A	809-015	M22520/2-01	AFM8
B	859-072	(none)	—
C	809-129	M22520/5-03	HX4
D	859-047	M22520/5-45	Y143

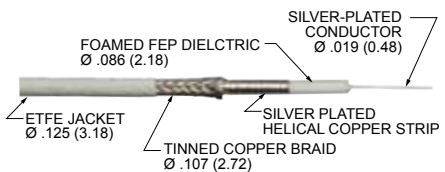
High performance 75 ohm coaxial cable



E 75 ohm coaxial cable for RS170 video applications. 50 dB shielding effectiveness. Tinned copper braid shield. Red FEP jacket.



F 75 ohm coaxial cable for RS170 video applications. 90 dB shielding effectiveness. 100% coverage aluminized plastic foil under tinned copper braid shield. ETFE jacket, white.



G 75 ohm coaxial cable for SMPTE 292M video applications. 110 dB shielding effectiveness. 100% coverage helical copper strip under tinned copper braid shield. ETFE jacket, white.

PIC™ brand video cable is specially designed and manufactured for reliable performance in aircraft systems and other harsh environments involving high temperature, EMI and corrosive materials. Improved strength, lower attenuation and better shielding compared with M17/94-RG179. Silver-plated conductor, foamed FEP dielectric, tinned copper braid, FEP or ETFE jacket. Syddrol resistant, RoHS compliant, meets FAA FAR Parts 23 and 25, Appendix F flammability, complies with MIL-DTL-17.

	E	F	G			
Glenair Part No.	960-130	960-131	960-132			
Ref. PIC™ Part No.	V75268	V76261	V73263			
Impedance (ohms)	75	75	75			
Shielding Effectiveness (dB)	50	90	110			
Video Application	RS170	RS170	SMPTE 292M			
First Shield	Tinned copper braid, 95% coverage					
Second Shield	None	Aluminized film, 100% coverage	Silver plated helical copper strip, 100%			
Temperature Rating	-65° to +165° C	-65° to +165° C	-65° to +165° C			
Minimum Bend Radius	0.6 in. (15mm.)	0.6 in. (15mm.)	0.65 in. (16.5mm.)			
Weight (lbs/100 ft.)	1.2 lbs	1.1 lbs	1.5 lbs			
Capacitance (pF/ft)	16.0	16.0	16.0			
Velocity of Propagation %	80	80	80			
Time Delay	1.28	1.28	1.28			
Attenuation (dB/100 ft)	Nominal	Max.	Nominal	Max.	Nominal	Max.
1 MHz	0.51	0.55	0.49	0.52	0.43	0.58
10 MHz	1.70	1.77	1.6	1.71	1.4	1.6
100 MHz	5.3	5.7	5.1	5.5	4.5	5.0
400 MHz	11.1	11.8	10.6	11.3	9.6	10.6
1.45 GHz	23.0	24.6	21.9	23.4	20.0	22.0
3 GHz	35.0	37.4	33.7	36.1	30.9	34.0

Dimensions in Inches (millimeters) are subject to change without notice.

Mighty Mouse Connectors with Size #8 Quadrax, Twinax, Coax or Power Contacts

Size #8 50 Ohm Coax Contacts 852-042 and 852-043



Mighty Mouse
with #8 Contacts

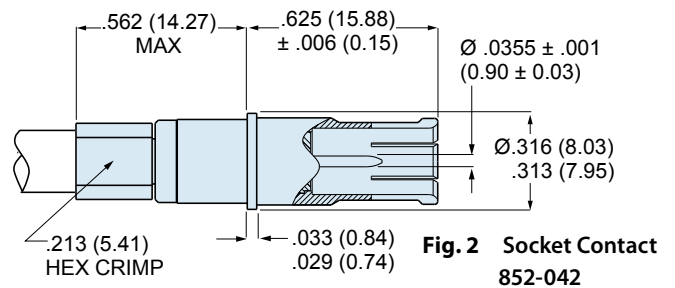
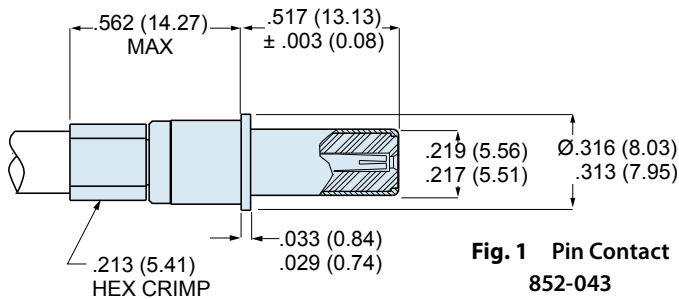
K

Size #8 50 ohm contacts for low loss high performance coax cable



Coax contacts fit Glenair Series 80 Mighty Mouse connectors and MIL-DTL-38999 Series I, III and IV connectors with size 8 contact cavities. 50 ohm nominal impedance. 0-2.5 GHz frequency range. Solder conductor to center contact is solder type, shield termination is crimp type. Supplied as unassembled kit with contact body, center contact, outer ferrule and sealing boot. Contacts are snap-in, rear release with plastic extraction tool. Gold-plated copper alloy, Fluoropolymer insulator. See following page for information on coaxial cable.

Fig.	Contact Type	Part Number Contact Only	Part Number Contact and Sealing Boot	Sealing Boot
Fig. 1	Pin	852-043	852-043F	859-042-02
Fig. 2	Socket	852-042	852-042F	859-042-02



Materials, Finishes	
Contact body, center contact, ferrule	Copper Alloy
Contact finish	50 microinches gold over nickel plating
Dielectric	Fluorocarbon

Specifications	
DESCRIPTION	REQUIREMENT
Nominal Impedance	50 Ohms
Frequency Range	0 - 2.5 GHz
Dielectric Withstanding Voltage	1300 Vac sea level, 250 Vac at 50,000 feet
Insulation Resistance	5000 megohms minimum
Durability	500 mating cycles

Contact Removal Tool

Plastic tool extracts wired contact from connector. First, remove sealing boot, then insert tool from rear of connector.

Size	Part Number	Military Part Number
#8	859-049	M81969/14-12

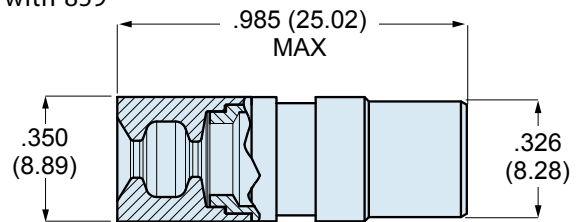


Sealing Boot

Optional sealing boot is recommended. Slide boot onto wire before terminating contact. After contact is installed in connector, slide boot forward into connector grommet to seal the contact cavity. "F" suffix on contact part number specifies contact supplied with 859-042-02 sealing boot.



Wire Dia. (in.)	Wire Dia. (mm.)	Part Number
.090 - .130	2.3 - 3.3	859-042-01
.130 - .170	3.3 - 4.3	859-042-02
.170 - .205	4.3 - 5.2	859-042-03



Dimensions in Inches (millimeters) are subject to change without notice.



Mighty Mouse Connectors with Size #8 Quadrax, Twinax, Coax or Power Contacts

Size #8 50 Ohm Coax Contacts 852-042 and 852-043

Termination tools for size #8 50 ohm coax contacts

K



A

Terminate inner contact to center conductor of cable with soldering iron. The outer ferrule is terminated to the cable shield with a M22520/5-01 parallel action crimper and a hex die.



B

A Parallel action tool terminates cable shield to contact ferrule. 11 inches OAL, 2.0 pounds. Anodized aluminum frame, steel mechanism, plastic handles. Accepts all M22520/5 die sets.

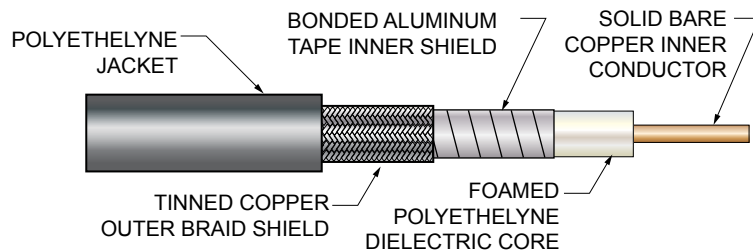
B Hex die set for terminating cable shield to contact ferrule. Hardened steel, black oxide finish.

Figure	Part Number	Military Part Number	Daniels Part Number
A	809-129	M22520/5-01	HX4
B	859-051	M22520/5-05	Y197

Cable information (reference only, not sold by Glenair)

Coax contacts 852-042 and 852-043 are designed for use with LLSB-200 cable. This low loss, flexible cable is suitable for shipboard, airframe and tactical vehicles. Manufactured by Times Microwave, this cable is qualified to MIL-DTL-17/220. Jacket is non-halogen, low smoke black UV resistant cross-linked polyethylene.

Times Microwave Part No.	LLSB-200
Military Part Number	M17/220-0001
Impedance	50 ± 2
Shielding Effectiveness (dB)	90 min.
Conductor Diameter	.044 (1.12)
Conductor Type	Bare Copper
Dielectric Diameter	.118 (3.0)
Outer Shield Diameter	.144 (3.66)
Jacket Diameter	.195 (4.95)
Weight (lbs/100 ft.)	37.4
Capacitance (pF/ft)	27.0
Velocity of Propagation %	80
Temperature Range	-30° to +85°C
Attenuation (dB/100 ft)	
10 MHz	1.3
100 MHz	3.8
400 MHz	7.7
1 GHz	12.0
2.5 GHz	20.0



Dimensions in Inches (millimeters) are subject to change without notice.

Mighty Mouse Connectors with Size #8 Quadrax, Twinax, Coax or Power Contacts

Size #8 100 Ohm Quadrax Contacts 854-001 and 854-002



Mighty Mouse with #8 Contacts

Size #8 quadrax contacts

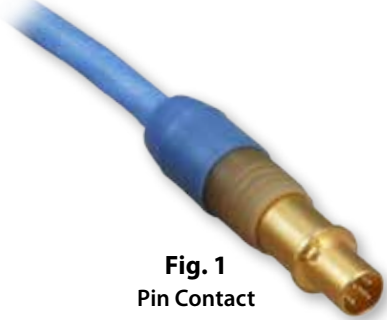


Fig. 1
Pin Contact
854-001

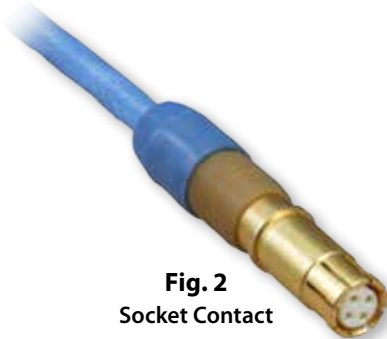


Fig. 2
Socket Contact
854-002

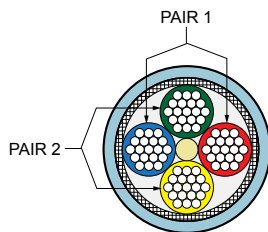
100 ohm quadrax contacts accept standard flight-grade star quad cable. These snap-in, rear release contacts fit Glenair Series 80 Mighty Mouse connectors and Glenair MIL-DTL-38999 Series III type connectors with size #8 keyed insulators to properly align contact. Crimp termination. Contact has in-line key for alignment in connector. Gold-plated copper alloy, thermoplastic insulators. Supplied as unassembled kit.

Fig.	Cable Accommodation	Contact Type	Part Number Contact Only	P/N Contact and Sealing Boot	Wire AWG	Cable OD	
						in.	mm.
1	Tensolite NF22Q100 Draka F-4704-7	Pin	854-001-05	854-001-05F	22	.190	4.83
1	PIC E51424 Tensolite NF24Q100	Pin	854-001-02	854-001-02F	24	.163	4.14
1	PIC E50424 Draka F 4704-4	Pin	854-001-04	854-001-04F	24	.175	4.45
1	PIC E51426 Tensolite NF26Q100	Pin	854-001-01	854-001-01F	26	.137	3.48
1	Draka F 4704-6	Pin	854-001-03	854-001-03F	26	.153	3.89
2	Tensolite NF22Q100 Draka F-4704-7	Socket	854-002-05	854-002-05F	22	.190	4.83
2	PIC E51424 Tensolite NF24Q100	Socket	854-002-02	854-002-02F	24	.163	4.14
2	PIC E50424 Draka F 4704-4	Socket	854-002-04	854-002-04F	24	.175	4.45
2	PIC E51426 Tensolite NF26Q100	Socket	854-002-01	854-002-01F	26	.137	3.48
2	Draka F 4704-6	Socket	854-002-03	854-002-03F	26	.153	3.89

Material And Finish	
Inner and Outer Contact, Crimp Ferrule	Copper alloy, 50 microinches gold over nickel
Insulator, Sealing Boot	High grade engineering thermoplastic
Sealing Boot Grommet	Fluorosilicone

Specifications	
Characteristic Impedance	100 Ohms ± 10 ohms
Frequency Range	DC – 3 GHz
Insulation Resistance, Ambient Temperature	5000 megohms minimum
Contact Resistance – Inner Contact	15.0 milliohms maximum initial @ 1ampere
Contact Resistance – Outer Contact	3.0 milliohms maximum initial @ 12 amperes
Dielectric Withstanding Voltage	1000 Vac RMS between contacts, 500 Vac RMS between contacts and shell
Temperature Range	-65°C to +200°C
Durability	500 mating cycles
Corrosion (salt Fog)	EIA-364-26, condition B, 48 hours
Vibration	EIA-364-28, condition VI, letter J, 43g's
Shock	EIA-364-27, condition D, 300g's

Arinc 664 Star Quad Cable



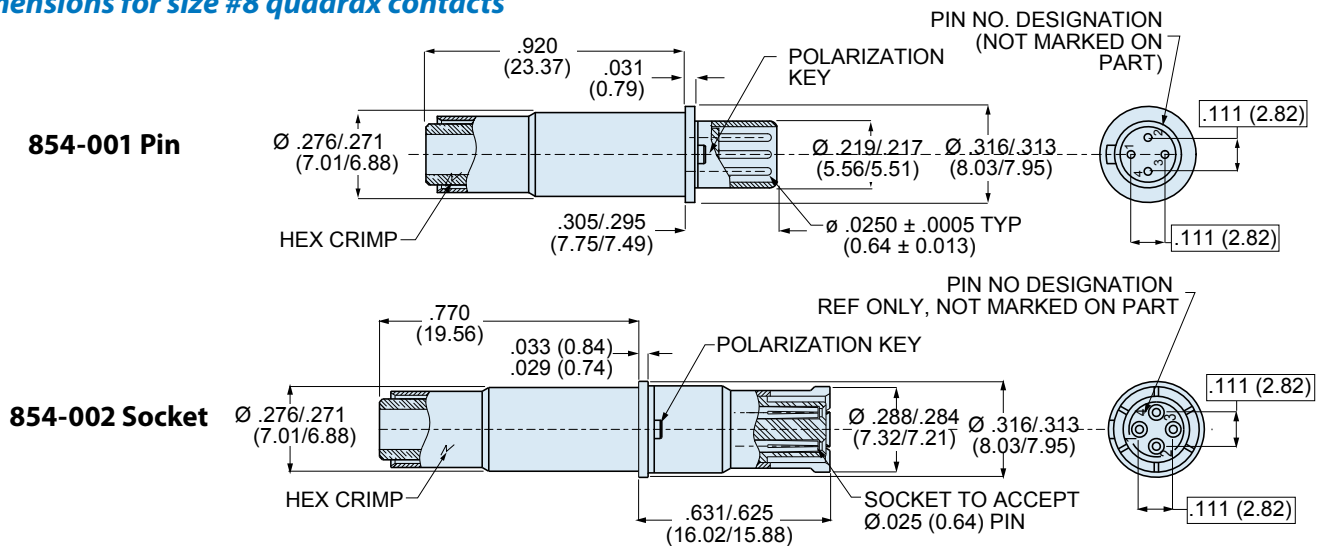
About Quadrax Contacts and Star Quad Cable

Quadrax contacts are size 8 multi-pin contacts with four signal pins and an outer contact body. These contacts are used for ARINC 664 100BASE-T Ethernet. Each quadrax contact yields one Ethernet port. The outer contact body provides a 360-degree EMI shield around the signal contacts. Star quad cables have four parallel wires uniformly twisted around a center filler. These 100 ohm high performance 100BASE-T cables are designed for use in aircraft systems. The cable has two shields– a flat tinned copper braid inner shield and an outer tinned copper overbraid. The FEP jacket meets FAA flammability requirements.

Dimensions in Inches (millimeters) are subject to change without notice.

K

Dimensions for size #8 quadrax contacts



Termination tools for size #8 quadrax contacts



A M22520/2-01 crimper for inner contacts. Requires **B** positioner, ordered separately. Length is 6.75 inches, weight is approx. 10 oz.

B Positioner. Use with **A** crimper, ordered separately. Positioner holds contact at proper depth.

C Parallel action tool terminates cable shield. Use with **D** hex crimp dies. 11 inches OAL, 2.0 pounds. Anodized aluminum frame, steel mechanism, plastic handles. Accepts all M22520/5 die sets.

D Hex die set for terminating cable shield. Hardened steel, black oxide finish. Closure A is $.231$ (5.87), closure B is $.218$ (5.54).

Figure	Part Number	Military Part Number	Daniels Part Number
A	809-015	M22520/2-01	AFM8
B	809-240	M22520/2-37	K709
C	809-129	M22520/5-01	HX4
D	859-047	M22520/5-45	Y143

Contact Removal Tool

Plastic tool extracts wired contact from connector. First, remove sealing boot, then insert tool from rear of connector.

Size	Part Number	Military Part Number
#8	859-049	M81969/14-12

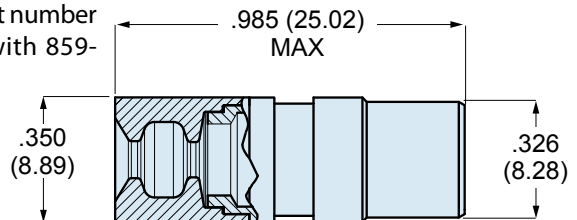


Sealing Boot

Optional sealing boot is recommended. Slide boot onto wire before terminating contact. After contact is installed in connector, slide boot forward into connector grommet to seal the contact cavity. "F" suffix on contact part number specifies contact supplied with 859-042-02 sealing boot.



Wire Dia. (in.)	Wire Dia. (mm.)	Part Number
.090 - .130	2.3 - 3.3	859-042-01
.130 - .170	3.3 - 4.3	859-042-02
.170 - .205	4.3 - 5.2	859-042-03



Dimensions in Inches (millimeters) are subject to change without notice.

Mighty Mouse Connectors with Size #8 Quadrax, Twinax, Coax or Power Contacts

Size #8 Concentric Twinax Contacts 853-003 and 853-004



Mighty Mouse with #8 Contacts



Size #8 concentric twinax contacts for MIL-STD-1553 databus



Fig. 1
Pin Contact
853-003-08-625



Fig. 2
Socket Contact
853-004-08-628



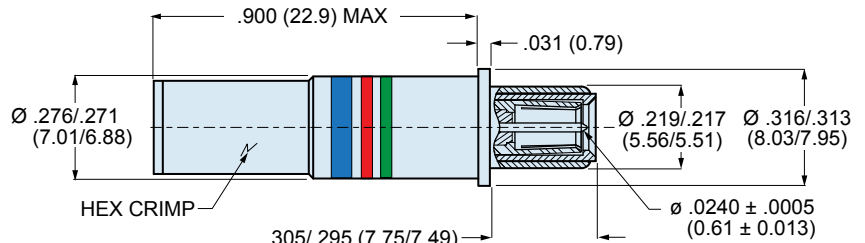
Fig. 3
Heatshrink Boot
(Supplied with Contact)



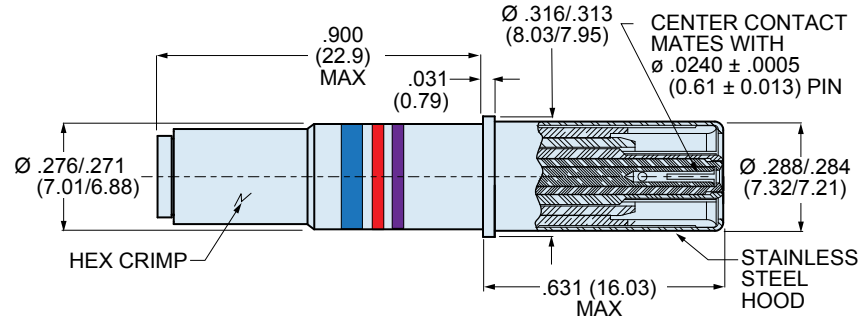
Fig. 4
Sealing Boot
859-042-01
(Not supplied with contact.
Order separately)

Concentric twinax contacts accept M17/176-0002 shielded twisted pair databus cable. These snap-in, rear release contacts fit Glenair Series 80 Mighty Mouse connectors and Glenair MIL-DTL-38999 Series I, III and IV connectors with size #8 cavities. Crimp termination. Gold-plated copper alloy, FEP insulator. Supplied unassembled with heatshrink boot (fig.3). Order sealing boot separately (fig.4). 1 A current rating, 500 Vac. SAE AS39029 qualified.

Fig.	Description	Cable Accommodation	Part Number	AS39029 Part Number	Color Bands		
					1st	2nd	3rd
Fig.1	Pin	M17/176-00002	853-003-08-625	M39029/113-625	Blu	Red	Grn
Fig.2	Socket	M17/176-00002	853-004-08-628	M39029/114-628	Blu	Red	Vio
Fig.4	Sealing Boot	M17/176-00002	859-042-01				



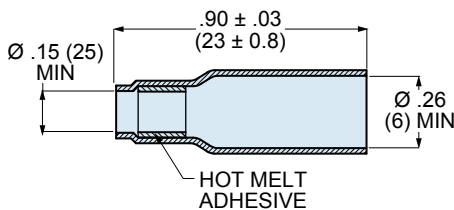
Pin Contact 853-003-08-625



Socket Contact 853-004-08-628

Heatshrink Boot

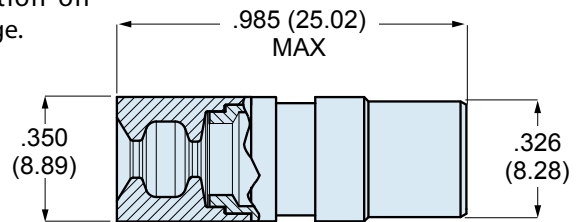
Supplied with contact. Slide onto cable before terminating contact. Slide onto contact after the cable is terminated. Apply heat to shrink the boot and melt the adhesive. Install contact into connector.



Sealing Boot

Sealing boot is ordered separately. Slide boot onto wire before terminating contact. After contact is installed in connector, slide boot forward into connector grommet to seal the contact cavity. Additional information on sealing boot is on the next page.

Wire Dia. (in.)	Wire Dia. (mm.)	Part Number
.090 - .130	2.3 - 3.3	859-042-01
.130 - .170	3.3 - 4.3	859-042-02
.170 - .205	4.3 - 5.2	859-042-03



Dimensions in Inches (millimeters) are subject to change without notice.



Mighty Mouse Connectors with Size #8 Quadrax, Twinax, Coax or Power Contacts

Size #8 100 Ohm Quadrax Contacts 854-001 and 854-002

K

Material and Finish	
Inner, Intermediate and Outer Contact, Crimp Sleeve	Copper alloy, 50 microinches gold over nickel
Insulators	PTFE
Sealing Boot Rigid Dielectric	Ultem
Sealing Boot Grommet	Fluorosilicone

Specifications	
Current Rating	1 ampere
Contact Resistance, Center and Intermediate Contacts	55 millivolt max. voltage drop @ 1 ampere
Contact Resistance – Outer Contact	75 millivolt max. voltage drop @ 12 amperes
Dielectric Withstanding Voltage, Center Contact to Intermediate Contact	1000 Vrms Sea Level, 250 Vrms at 70,000 feet
Dielectric Withstanding Voltage, Intermediate Contact to Outer Contact	500 Vrms Sea Level, 250 Vrms at 70,000 feet
Temperature Range	-65°C to +175°C
Durability	500 mating cycles
Corrosion	EIA-364-26, condition B, 48 hours
Vibration	EIA-364-28, condition V, letter J, 37g's
Shock	EIA-364-27, condition D, 300g's

Termination tools for size #8 concentric twinax contacts



A M22520/2-01 crimper for center contact. Requires **B** positioner, ordered separately. Length is 6.75 inches, weight is approx. 10 oz.

B Positioner, M22520/2-37. Use with **A** crimper, ordered separately. Positioner holds contact at proper depth.

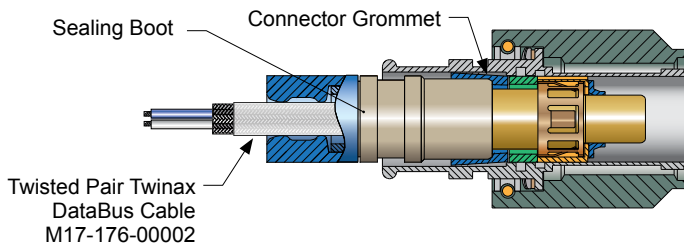
C Parallel action tool terminates intermediate contact and outer shield ferrule. Use with **D** hex crimp dies. 11 inches OAL, 2.0 pounds. Anodized aluminum frame, steel mechanism, plastic handles. Accepts all M22520/5 die sets.

D Die set for terminating intermediate contact and cable shield. Requires **C** crimp tool sold separately. Hardened steel, black oxide finish.

Figure	Part Number	Military Part Number	Daniels Part Number
A	809-015	M22520/2-01	AFM8
B	809-240	M22520/2-37	K709
C	809-129	M22520/5-01	HX4
D	859-048	M22520/5-105	Y631

Sealing Boot information

The sealing boot is necessary to prevent moisture and contamination from penetrating the connector. The sealing boot is ordered separately. **DO NOT USE HEATSHRINK BOOT IF USING SEALING BOOT.** The boot consists of a rigid dielectric sleeve and a fluorosilicone rubber grommet. Slide boot onto cable before terminating contact. After the contact is installed into connector, seat the boot into connector grommet.



Contact Removal Tool

Plastic tool extracts wired contact from connector. First, remove sealing boot, then insert tool from rear of connector.

Size	Part Number	Military Part Number
#8	859-049	M81969/14-12



Dimensions in Inches (millimeters) are subject to change without notice.

Mighty Mouse Connectors with Size #8 Quadrax, Twinax, Coax or Power Contacts

Size #8 Differential Twinax Contacts 853-013 and 853-014



Mighty Mouse
with #8 Contacts

Size #8 differential twinax contacts

100 ohm differential twinax contacts accept shielded twisted pair databus cable. These snap-in, rear release contacts fit Glenair Series 80 Mighty Mouse connectors, Glenair 257-497, and Glenair 257-606 MIL-DTL-38999-type connectors with keyed inserts. Crimp termination. Gold-plated copper alloy, FEP insulator. Supplied unassembled with optional sealing boot.



Fig. 1
Pin Contact
853-014



Fig. 2
Socket Contact
853-013

Material and Finish	
Inner and Outer Contact, Crimp Ferrule	Copper alloy, 50 microinches gold over nickel
Insulator, Sealing Boot	High grade engineering thermoplastic
Sealing Boot Grommet	Fluorosilicone

Figure	Description	Cable Accommodation	Part Number Contact Only	Part Number Contact and Sealing Boot
Fig. 1	Pin Contact	Gore RCN 8945	853-014-01	853-014-01F
Fig. 1	Pin Contact	Gore GSC-03-83971-00	853-014-02	853-014-02F
Fig. 1	Pin Contact	M17/176-00002	853-014-05	853-014-05F
Fig. 1	Pin Contact	TE (Raychem) 0024A0024	853-014-04	853-014-04F
Fig. 2	Socket Contact	Gore RCN 8945	853-013-01	853-013-01F
Fig. 2	Socket Contact	Gore GSC-03-83971-00	853-013-02	853-013-02F
Fig. 2	Socket Contact	M17/176-00002	853-013-05	853-013-05F
Fig. 2	Socket Contact	TE (Raychem) 0024A0024	853-013-04	853-013-04F

Specifications	
Characteristic Impedance	100 Ohms ± 10 ohms
Frequency Range	DC – 3 GHz
Insulation Resistance, Ambient Temperature	5000 megohms minimum
Contact Resistance – Inner Contact	15.0 milliohms maximum initial @ 1ampere
Contact Resistance – Outer Contact	3.0 milliohms maximum initial @ 12 amperes
Dielectric Withstanding Voltage	1000 Vac RMS between contacts, 500 Vac RMS between contacts and shell
Temperature Range	-65°C to +200°C
Durability	500 mating cycles
Corrosion (salt Fog)	EIA-364-26, condition B, 48 hours
Vibration	EIA-364-28, condition VI, letter J, 43g's
Shock	EIA-364-27, condition D, 300g's

Contact Removal Tool

Plastic tool extracts wired contact from connector. First, remove sealing boot, then insert tool from rear of connector.

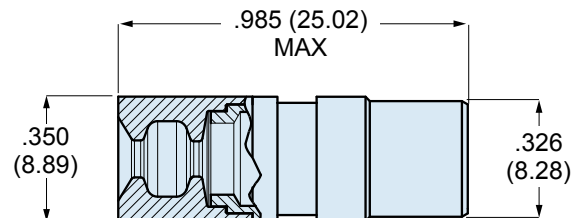
Size	Part Number	Military Part Number
#8	859-049	M81969/14-12



Sealing Boot

Optional sealing boot is recommended. Slide boot onto wire before terminating contact. After contact is installed in connector, slide boot forward into connector grommet to seal the contact cavity. "F" suffix on contact part number specifies contact supplied with sealing boot.

Wire Dia. (in.)	Wire Dia. (mm.)	Part Number
.090 - .130	2.3 - 3.3	859-042-01
.130 - .170	3.3 - 4.3	859-042-02
.170 - .205	4.3 - 5.2	859-042-03

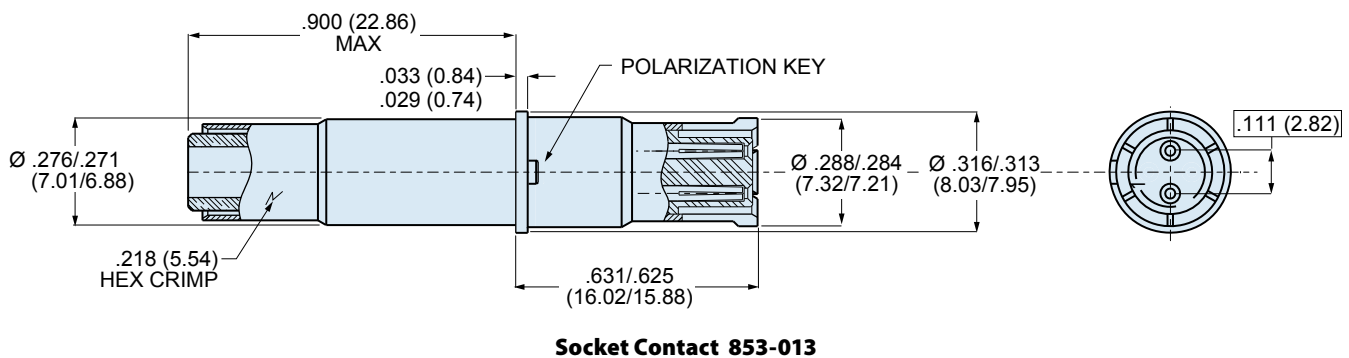
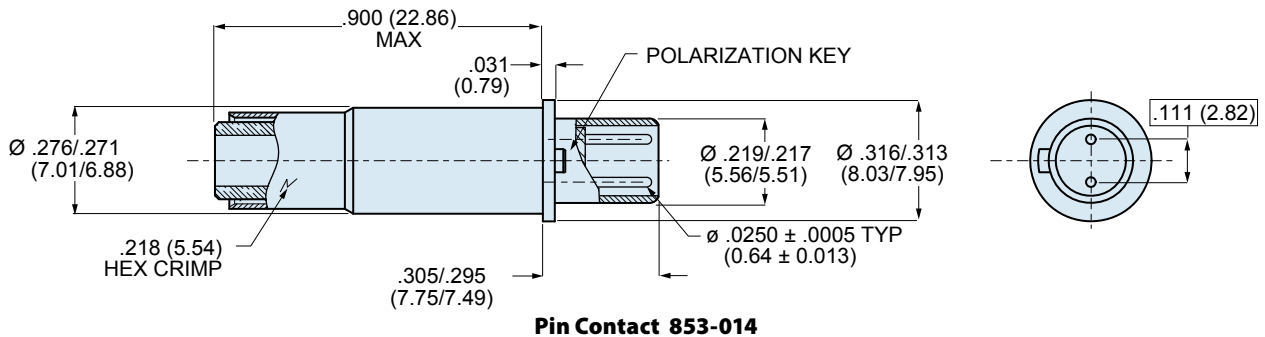


Dimensions in Inches (millimeters) are subject to change without notice.

Mighty Mouse Connectors with Size #8 Quadrax, Twinax, Coax or Power Contacts

Size #8 Differential Twinax Contacts 853-013 and 853-014

K



Termination tools for size #8 differential twinax contacts



A M22520/2-01 crimper for inner contacts. Requires **B** positioner, ordered separately. Length is 6.75 inches, weight is approx. 10 oz.

B Positioner. Use with **A** crimper, ordered separately. Positioner holds contact at proper depth.

C Parallel action tool terminates cable shield. Use with **D** hex crimp dies. 11 inches OAL, 2.0 pounds. Anodized aluminum frame, steel mechanism, plastic handles. Accepts all M22520/5 die sets.

D Hex die set for terminating cable shield. Hardened steel, black oxide finish. Closure A is .231 (5.87), closure B is .218 (5.54).

Figure	Part Number	Military Part Number	Daniels Part Number
A	809-015	M22520/2-01	AFM8
B	809-240	M22520/2-37	K709
C	809-129	M22520/5-01	HX4
D	859-047	M22520/5-45	Y143

About Differential Twinax Contacts

Differential twinax contacts are multi-pin contacts with two signal pins and an outer contact body. These contacts are used for 77 ohm MIL-STD-1553 databus and 100 ohm serial data transmission. The outer contact body provides a 360-degree EMI shield around the signal contacts. A raised boss on the contact body aligns the contact for proper mating. This boss fits into a slot inside the connector. All size 8 Mighty Mouse connector inserts have this alignment slot.

Dimensions in Inches (millimeters) are subject to change without notice.

Mighty Mouse Connectors with Size #8 Quadrax, Twinax, Coax or Power Contacts

852-007 and 852-006 Size #8 Coax Contacts for RG180 Cable



Mighty Mouse with #8 Contacts

K

Size #8 coaxial contacts for M17/095-RG-180 cable



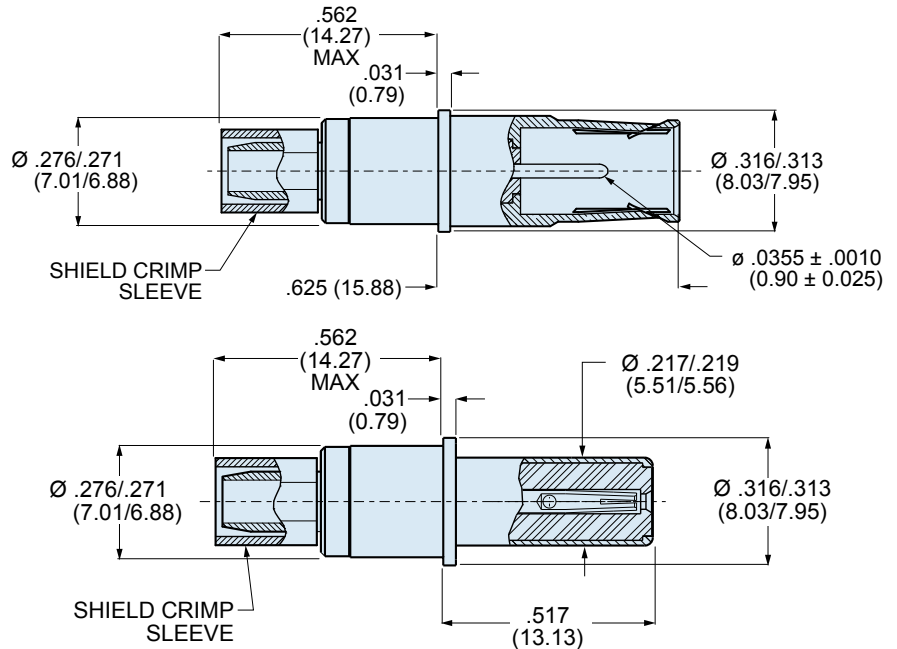
Fig. 1
Pin Contact
852-007-08-367



Fig. 2
Socket Contact
852-006-08-366

Coax contacts accept M17/095-RG180 cable. These snap-in, rear release contacts fit Glenair Series 80 Mighty Mouse connectors and Glenair MIL-DTL-38999 Series I, III and IV connectors with size #8 cavities. Crimp termination. Gold-plated copper alloy, Fluoropolymer insulator. Supplied unassembled. Order sealing boot separately (fig. 3). 1 A current rating, 500 Vac. SAE AS39029 qualified.

Fig.	Description	Cable Accommodation	Part Number	AS39029 Part Number	Color Bands		
					1st	2nd	3rd
Fig.1	Pin	M17/095-RG180	852-007-08-367	M39029/60-367	Orn	Blu	Vio
Fig.2	Socket	M17/095-RG180	852-006-08-366	M39029/59-366	Orn	Blu	Blu
Fig.3	Sealing Boot	M17/095-RG180	859-042-02				



Contact Removal Tool

Plastic tool extracts wired contact from connector. First, remove sealing boot, then insert tool from rear of connector.

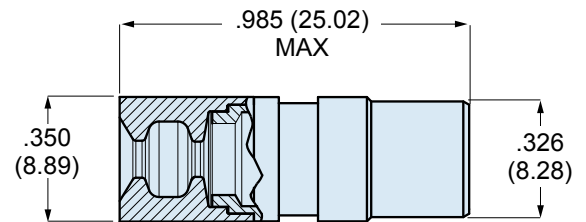
Size	Part Number	Military Part Number
#8	859-049	M81969/14-12



Sealing Boot

Sealing boot is ordered separately. Slide boot onto wire before terminating contact. After contact is installed in connector, slide boot forward into connector grommet to seal the contact cavity.

Wire Dia. (in.)	Wire Dia. (mm.)	Part Number
.090 - .130	2.3 - 3.3	859-042-01
.130 - .170	3.3 - 4.3	859-042-02
.170 - .205	4.3 - 5.2	859-042-03



Dimensions in Inches (millimeters) are subject to change without notice.

Mighty Mouse Connectors with Size #8 Quadrax, Twinax, Coax or Power Contacts

Size #8 Coax Contacts for RG180 Cable

K

Material and Finish	
Inner Contact, Outer Contact, Inner Ferrule, Crimp Sleeve	Copper alloy, 50 microinches gold over nickel
Insulator	Fluoropolymer
Sealing Boot Rigid Dielectric	Ultem
Sealing Boot Grommet	Fluorosilicone

Specifications	
Current Rating	1 ampere
Contact Resistance, Inner Contact	120 millivolt max. voltage drop @ 1 ampere
Contact Resistance – Outer Contact	60 millivolt max. voltage drop @ 12 amperes
Dielectric Withstanding Voltage	1300 Vrms Sea Level, 250 Vrms at 50,000 feet
Temperature Range	-65°C to +200°C
Durability	500 mating cycles
Corrosion	EIA-364-26, condition B, 48 hours
Vibration	EIA-364-28, condition V, letter J, 37g's
Shock	EIA-364-27, condition D, 300g's

Termination tools for size #8 coax contacts for RG-180 cable



A M22520/2-01 crimper for inner contact. Requires **B** positioner, ordered separately. Length is 6.75 inches, weight is approx. 10 oz.

B Positioner, M22520/2-31. Use with **A** crimper, ordered separately. Positioner holds contact at proper depth.

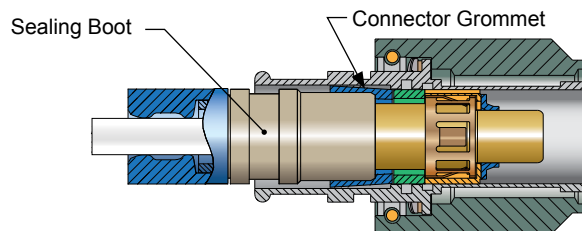
C Parallel action tool terminates intermediate contact and outer shield ferrule. Use with **D** hex crimp dies. 11 inches OAL, 2.0 pounds. Anodized aluminum frame, steel mechanism, plastic handles. Accepts all M22520/5 die sets.

D Die set for terminating intermediate contact and cable shield. Two closures— .218(5.54) hex closure for cable shield and Requires **C** crimp tool sold separately. Hardened steel, black oxide finish.

Figure	Part Number	Military Part Number	Daniels Part Number
A	809-015	M22520/2-01	AFM8
B	859-050	M22520/2-31	K406
C	809-129	M22520/5-01	HX4
D	859-051	M22520/5-05	Y197

About Sealing Boots

The sealing boot is necessary to prevent moisture and contamination from penetrating the connector. The sealing boot is ordered separately. The boot consists of a rigid dielectric sleeve and a fluorosilicone rubber grommet. Slide boot onto cable before terminating contact. After the contact is installed into connector, seat the boot into connector grommet.



Dimensions in Inches (millimeters) are subject to change without notice.

Mighty Mouse Connectors with Size #8 Quadrax, Twinax, Coax or Power Contacts

858-003 and 858-004 Size #8 El Ochito® Contacts for CAT 6a Cable



Mighty Mouse with #8 Contacts

Size #8 El Ochito® contacts for 10g Base-T Cat 6a ethernet 4 pair cable



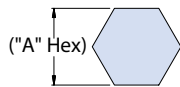
Fig. 1
Pin Contact
858-003



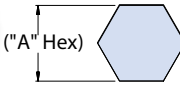
Fig. 2
Socket Contact
858-004



Fig. 3
Sealing Boot
687-643



858-003

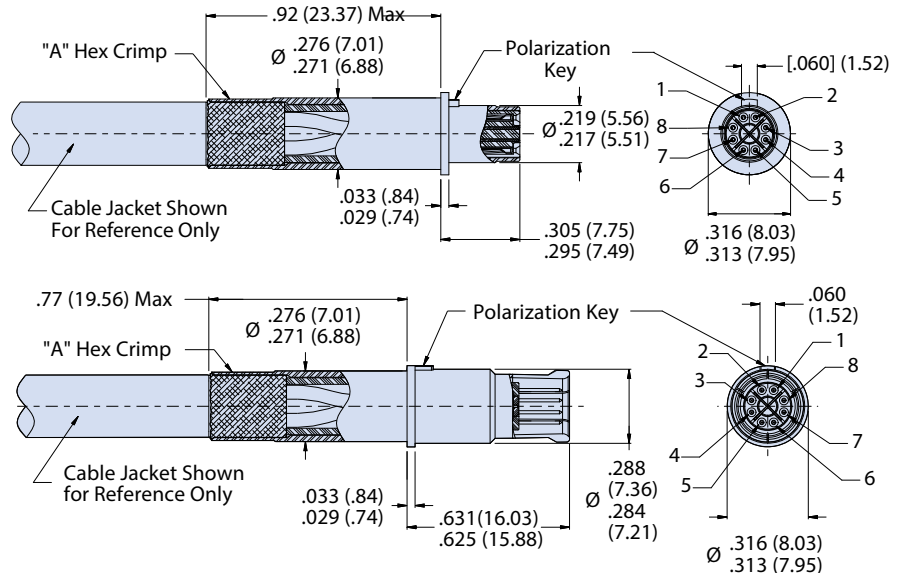


858-004

El Ochito® contacts accept PIC E6A3826 cable. These snap-in, rear release contacts fit Glenair Series 80 Mighty Mouse connectors and Glenair MIL-DTL-38999 Series I, III and IV connectors with size #8 cavities. Crimp termination. Gold-plated copper alloy, Fluoropolymer insulator. 100 Ohms nominal, 500 Vrms DWV, 5000 MegOhms min at 200 VDC. Supplied unassembled. Sealing boot can be ordered with contact or separately.

Fig.	Description	Cable Accommodation	Part Number Only	Part Number Contact and Sealing Boot
Fig. 1	Pin	PIC E6A3826	858-003-01	858-003-01F
Fig. 2	Socket	PIC E6A3826	858-004-01;	858-004-01F
Fig. 3	Sealing Boot	PIC E6A3826	687-643-8-2	687-643-8-2

Fully Assembled Contact Shown for Reference Only



Contact Removal Tool

Plastic tool extracts wired contact from connector. First, remove sealing boot, then insert tool from rear of connector.

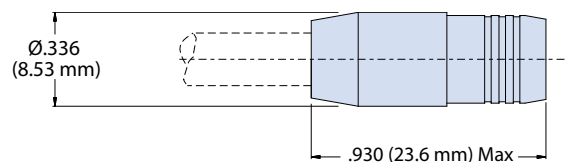
Size	Part Number	Military Part Number
#8	859-049	M81969/14-12



Sealing Boot

If sealing boot is used, slide boot onto wire before terminating contact. After contact is installed in connector, slide boot forward into connector grommet to seal the contact cavity.

Ref Cable Dia. (in.)	Ref. Cable Dia. (mm.)	Part Number
.220	5.59	687-643-8-2



Dimensions in Inches (millimeters) are subject to change without notice.

Rev. 08.04.15

K



Mighty Mouse Connectors with Size #8 Quadrax, Twinax, Coax or Power Contacts

Size #8 El Ochito Contacts for CAT 6a Cable

K

Material and Finish	
Inner Contact, Outer Contact, Inner Ferrule, Crimp Sleeve	Copper alloy, 50 microinches gold over nickel
Insulator	Fluoropolymer
Sealing Boot Rigid Dielectric	Ultem
Sealing Boot Grommet	Fluorosilicone

Specifications	
Current Rating	1 A
Insulation Resistance	5000 Meg Ohms minimum
Dielectric Withstanding Voltage	500Vrms Min @ sea Level
Temperature Range	-55° C to +175° C
Durability	>500 cycles
Corrosion	48 Hrs Salt Spray
Vibration	IAW AS39029/113
Thermal Shock	-55° C to +175° C

Termination tools for size #8 coax contacts for PIC E6A3826 cable



A M22520/2-01 crimper for inner contact. Requires **B** positioner, ordered separately. Length is 6.75 inches, weight is approx. 10 oz.

B Positioner, Daniels P/N K1906. Use with **A** crimper, ordered separately. Positioner holds contact at proper depth.

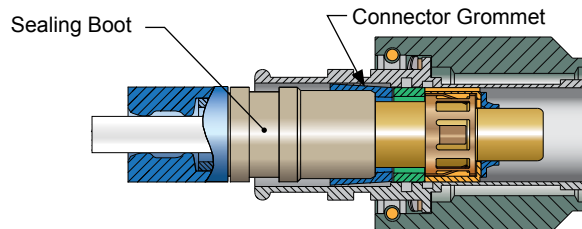
C Parallel action tool terminates outer contact. Use with **D** hex crimp dies. 11 inches OAL, 2.0 pounds. Anodized aluminum frame, steel mechanism, plastic handles. Accepts all M22520/5 die sets.

D Die set for terminating outer contact and cable shield. Two closures— .231(5.87) hex closure for cable shield and Requires **C** crimp tool sold separately. Hardened steel, black oxide finish.

Figure	Part Number	Military Part Number	Daniels Part Number
A	809-015	M22520/2-01	AFM8
B	859-101	None	K1906
C	809-129	M22520/5-01	HX4
D	859-047	M22520/5-45	N/A

About Sealing Boots

The sealing boot is necessary to prevent moisture and contamination from penetrating the connector. The sealing boot is ordered separately. The boot consists of a rigid dielectric sleeve and a fluorosilicone rubber grommet. Slide boot onto cable before terminating contact. After the contact is installed into connector, seat the boot into connector grommet.



Dimensions in Inches (millimeters) are subject to change without notice.

SERIES 811

HIGH DENSITY

Double-density Mighty Mouse connectors with vibration and shock resistant TwistPin contacts



The 811 HD difference is found in our Micro TwistPin Contacts. Widely used for radar, missiles, avionics, and space vehicles, the Micro TwistPin is a spring pin composed of helically wound strands of copper alloy wire, welded into a bundle, then “bulged” and crimped to a copper alloy sleeve. TwistPin contacts are specified for applications that require high mating and demating forces for superior resistance to vibration and shock. These gold-over-nickel plated pins and sockets offer low, stable contact resistance even when subjected to temperature extremes and vibration. Designers of soldier systems and other military electronics, medical and high-end industrial equipment have all turned to the TwistPin contact in order to reduce the size and weight of high-performance systems.



Glenair, Inc.
1211 Air Way
Glendale, CA
91201-2497
818-247-6000
sales@glenair.com
www.glenair.com

PRODUCT SELECTION GUIDE



Series 811 HD In-Line Pigtail Plug Connectors

Factory terminated in-line plugs with optional PTFE or Tefzel[®] insulated wire; backpotted with epoxy.

Page L-6



Series 811 HD In-Line Pigtail Receptacle Connectors

Factory terminated in-line receptacles with optional PTFE or Tefzel[®] insulated wire; backpotted with epoxy.

Page L-7



Series 811 HD Square Flange Pigtail Receptacles

Factory terminated square flange pigtail receptacles with optional PTFE or Tefzel[®] insulated wire; backpotted with epoxy.

Page L-8



Series 811 HD Jam Nut Pigtail Receptacles

Factory terminated jam nut pigtail receptacles with optional PTFE or Tefzel[®] insulated wire; backpotted with epoxy.

Page L-10



Series 811 HD Jam Nut Straight PCB Receptacles

Jam nut mount straight PC tail receptacles with enhanced environmental sealing for open faced immersion requirements.

Page L-12



Series 811 HD Square Flange Straight PCB Receptacles

Square flange panel mount PC tail receptacles with enhanced environmental sealing for open faced immersion requirements.

Page L-13



Series 811 HD Harsh Environment Cordsets

Overmolded Series 811 cordsets withstand abrasion and chemical exposure. Silver coated stranded conductors with TFE insulation, tinned copper braid shield and extruded polyurethane jacket.

Page L-15

Dimensions in Inches (millimeters) are subject to change without notice.





Series 811 Mighty Mouse High Density (HD) General Information



811-001-06ME9-42SA

Series 811 Plug



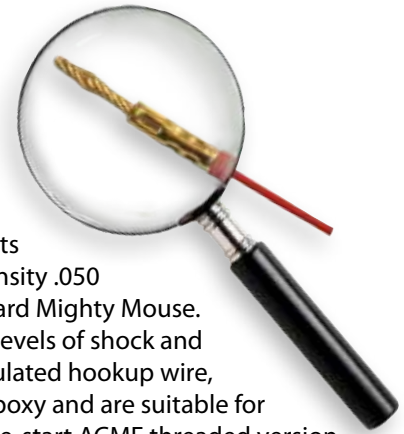
811-003-07ME9-42PA

Series 811 Receptacle

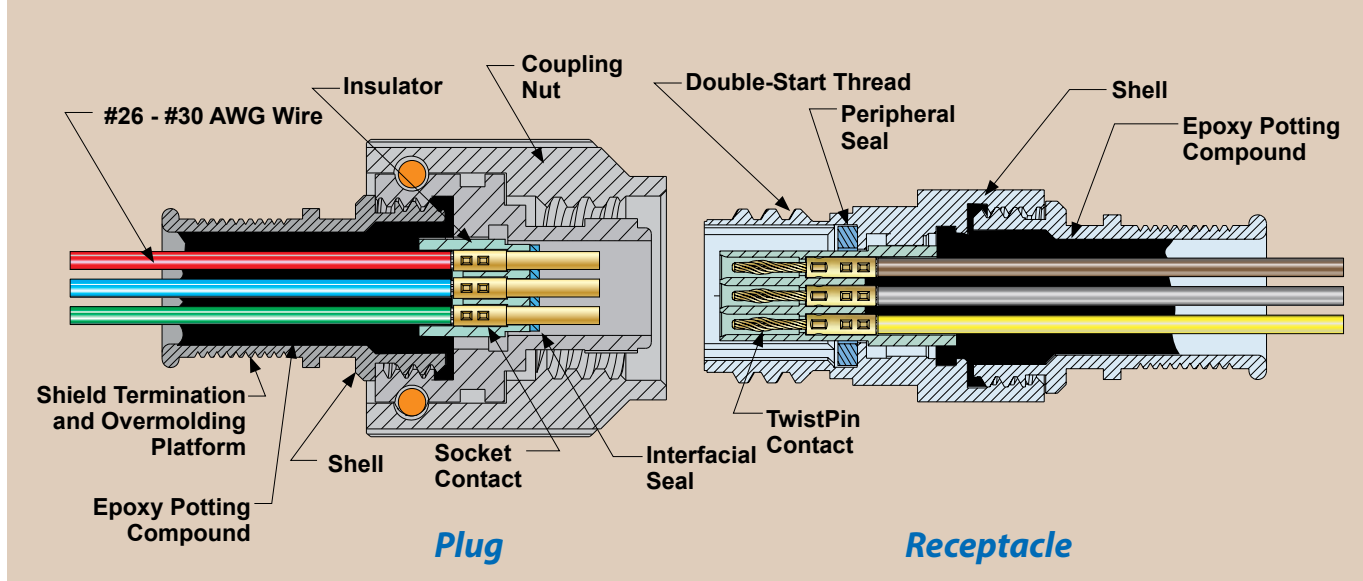
- High Density Micro TwistPin Contact System
- 600 VAC DWV Rating
- 7 to 42 Contacts
- 3 Amp Current Rating
- Water Resistant to 1 Meter

New Mighty Mouse High Density Connector Delivers Size and Weight Savings and Outstanding Performance

New Series 811 Mighty Mouse HD connector features high performance TwistPin contacts for increased circuit density and outstanding shock and vibration performance. High density .050 inch (1.27mm) contact spacing essentially doubles the pincount compared to our standard Mighty Mouse. The unique spring construction of the pin contact results in excellent resistance to high levels of shock and vibration. Three configurations are available: pre-wired pigtail cable assemblies with insulated hookup wire, shielded cordsets, and printed circuit board versions. Connectors are backpotted with epoxy and are suitable for hostile environment applications. The Series 811 Mighty Mouse HD connector is a double-start ACME threaded version, available with 7, 12, 22, 30 and 42 contacts for size #26 to #30 AWG wire.



Series 811 Mighty Mouse HD with High Performance TwistPins



Dimensions in Inches (millimeters) are subject to change without notice.

Series 811 Mighty Mouse High Density (HD) General Information



Mighty Mouse
High Density

About TwistPin Contacts

Widely used for radars, missiles, avionics, and space vehicles, the Micro TwistPin is a spring pin composed of helically wound strands of copper alloy wire, welded into a bundle, then "bulged" and crimped to a copper alloy sleeve. These gold over nickel plated pins and sockets offer low, stable contact resistance even when subjected to temperature extremes and vibration. Designers of soldier systems electronics equipment have turned to the TwistPin contact in order to reduce the size and weight of warfighter electronics.

Unlike other microminiature contact systems, the TwistPin contact is terminated to wire with a military-approved four-indent crimp joint. Crimping results in a gas tight connection between the wire and the contact.

TwistPin Contact



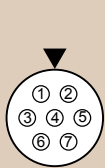
TwistPin



Socket

Series 811 Mighty Mouse Hd Contact Arrangements

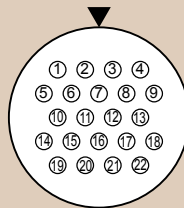
Pin insert shown, use reverse order for socket inserts.



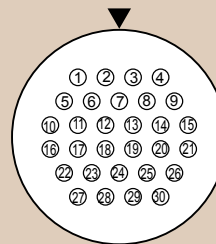
5-7
7 Contacts



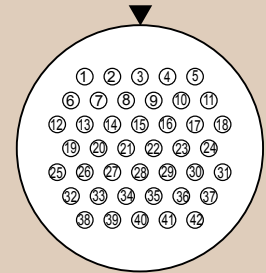
6-12
12 Contacts



7-22
22 Contacts



8-30
30 Contacts



9-42
42 Contacts

MIL-STD-681 Color Code Chart

PIN NO.	MIL-STD-681 NUMBER	Base Color	First Stripe	Second Stripe	PIN NO.	MIL-STD-681 NUMBER	Base Color	First Stripe	Second Stripe
1	0	BLK			22	903	WHT	BLK	ORN
2	1	BRN			23	904	WHT	BLK	YEL
3	2	RED			24	905	WHT	BLK	GRN
4	3	ORN			25	906	WHT	BLK	BLU
5	4	YEL			26	907	WHT	BLK	VIO
6	5	GRN			27	908	WHT	BLK	GRY
7	6	BLU			28	912	WHT	BRN	RED
8	7	VIO			29	913	WHT	BRN	ORN
9	8	GRY			30	914	WHT	BRN	YEL
10	9	WHT			31	915	WHT	BRN	GRN
11	90	WHT	BLK		32	916	WHT	BRN	BLU
12	91	WHT	BRN		33	917	WHT	BRN	VIO
13	92	WHT	RED		34	918	WHT	BRN	GRY
14	93	WHT	ORN		35	923	WHT	RED	ORN
15	94	WHT	YEL		36	924	WHT	RED	YEL
16	95	WHT	GRN		37	925	WHT	RED	GRN
17	96	WHT	BLU		38	926	WHT	RED	BLU
18	97	WHT	VIO		39	927	WHT	RED	VIO
19	98	WHT	GRY		40	928	WHT	RED	GRY
20	901	WHT	BLK	BRN	41	934	WHT	ORN	YEL
21	902	WHT	BLK	RED	42	935	WHT	ORN	GRN

Dimensions in Inches (millimeters) are subject to change without notice.



Series 811 Mighty Mouse High Density (HD) Double-Start ACME Threads Connector Selection Guide

Series 811 Mighty Mouse HD with Double-Start ACME Mating Thread and .050" pitch (1.27mm) TwistPin Contact

Series 811 Mighty Mouse HD connector is a high density version of the Mighty Mouse Series 801 connector. The Series 811 connector features a quick-mating, damage-resistant double-start thread with the Glenair TwistPin contact system for increased circuit density.

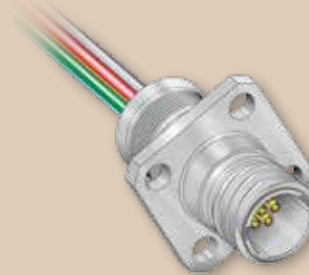
Series 811 Mighty Mouse HD Connector Selector



In-Line Plugs
Page L-6



In-Line Receptacles
Page L-7



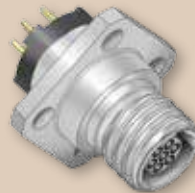
Square Flange Receptacles
Page L-8



Jam Nut Receptacles
Page L-10



Jam Nut PCB Receptacles
Page L-12



Square Flange PCB Receptacles
Page L-13



Overmolded Cordsets
Page L-15

Jam Nut Tightening Tool

Tightening tools fit Series 811 spanner nuts supplied with jam nut receptacle connectors. Use with square drive torque wrench. Torque to 20-25 inch-pounds (2.2-2.8 N m). Carbon steel, nickel plated.



Shell Size	Jam Nut Tool Part Number	Drive Square
5	600-146-02	1/4" Drive
6	600-146-03	1/4" Drive
7	600-146-05	3/8" Drive
8	600-146-05	3/8" Drive
9	600-146-06	3/8" Drive

Dimensions in Inches (millimeters) are subject to change without notice.

Series 811 Mighty Mouse High Density (HD) Specifications



Mighty Mouse
High Density

Application Note:

Sand and Dust Exposure

Glenair TwistPin contacts can be damaged by sand and dust. Unmated connectors should be covered to prevent debris and contamination from accumulating inside the contact cavities. Protective covers are recommended.

Specifications	
Current Rating	3 AMPS
Dielectric Withstanding Voltage	600 VAC sea level, 150 VAC at 70,000 ft.
Insulation Resistance	5000 megohms minimum
Operating Temperature	-65° C. to +175° C.
Contact Resistance	8 milliohms maximum
Low Level Contact Resistance	32 milliohms maximum
Water Immersion, Mated	MIL-STD-810G, Method 512.5 1 meter for 1 hour
Water Ingress, Mated	Ingress protection 67
Helium Leak rate, Sealed PC tail Receptacles (811-006)	1 x 10 ⁻⁴ cc/sec at 1 atmos. pressure differential, following 5 cycles of thermal shock
Shock	300 g's (MIL-DTL-38999 para. 4.5.21.1)
Vibration, Sine	60 g's (MIL-DTL-38999 para. 4.5.23.2.1)
Vibration, Random	23 g's (MIL-DTL-38999 para. 4.4.23.1)
Humidity	EIA-364-31, Cond. IV
Altitude-Low Temperature	EIA-364-105
Durability	2000 cycles of mating
Magnetic Permeability	2 μ maximum
Corrosion (Salt Spray)	Electroless Nickel finish (ME) 96 hours Nickel-PTFE finish (MT) 500 hours Black Zinc-Nickel (ZR) 500 hours Zinc-Nickel-PTFE with Black Chromate (ZNU) 1,000 hours
Shielding Effectiveness	55 dB minimum from 100MHz to 1000MHz.

Materials and Finishes	
Shell, Jam Nut, Coupling Nut	Aluminum alloy or SST
Contact	Copper alloy, 50 μ inch gold over nickel plated
Insulator	High grade rigid dielectric
Interfacial Seal, O-ring, Peripheral Seal	Fluorosilicone rubber

Series 811 Recommended Torque Values								
Layout	Coupling Torque				Jam Nut Tightening			
	In-Lbs.		N-m		In-Lbs.		N-m	
	Min.	Max.	Min.	Max.	Min.	Max.	Min.	Max.
5-7	25	35	2.8	4.0	20	25	2.2	2.8
6-12	35	40	4.0	4.5	20	25	2.2	2.8
7-22	35	40	4.0	4.5	20	25	2.2	2.8
8-30	40	50	4.5	5.7	20	25	2.2	2.8
9-42	40	50	4.5	5.7	20	25	2.2	2.8

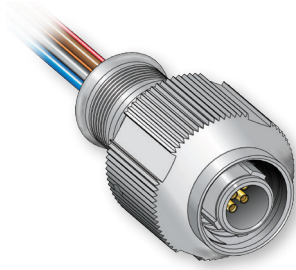
Key Positions			Plug	Receptacle
Position	A°	B°		
A	140°	220°		
B	65°	220°		
C	85°	240°		
D	130°	285°		
E	65°	285°		
F	85°	220°		

Dimensions in Inches (millimeters) are subject to change without notice.



Series 811 Mighty Mouse High Density (HD) Pre-Wired Plug Connectors

811-001-06

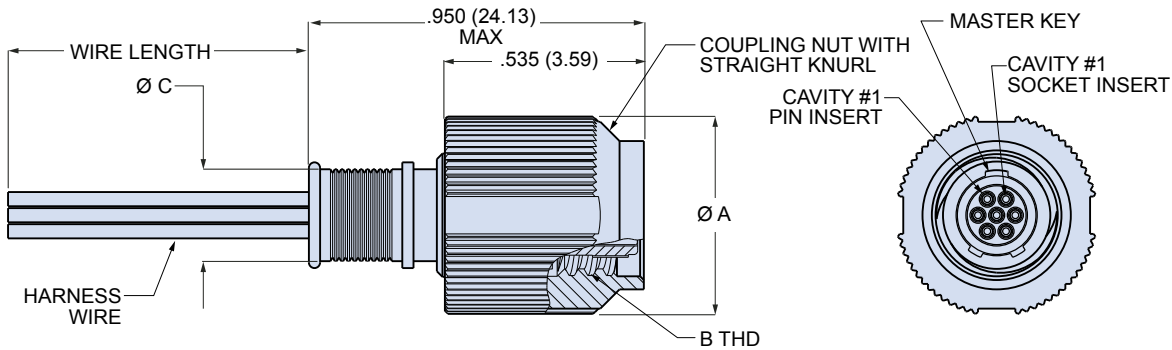


Pre-Wired Plug Connectors Series 811 Mighty Mouse High Density plugs feature damage-resistant double-start ACME mating threads and integral shielding/overmolding platforms. These plugs are factory-terminated to insulated wire and backpotted with epoxy. The TwistPin contact system meets requirements of MIL-DTL-83513 and provides outstanding resistance to high levels of shock and vibration. Choose Type K general purpose Teflon® wire or Type J lightweight space-grade Tefzel® wire. 3A current rating, 600 VAC dielectric withstanding voltage.

How To Order

Sample Part Number	811-001-06	MT	5-7	P	A	6	K	7	-18
Series	811-001-06 = Plug with Standard Coupling								
Material/Finish	See Material and Finish Table								
Shell Size - Insert Arr.	5-7 = 7 Contacts 6-12 = 12 Contacts 7-22 = 22 Contacts			8-30 = 30 Contacts 9-42 = 42 Contacts					
Contact Type	P = Pin Contacts S = Socket Contacts								
Key Position	A = Normal Alternate Key Positions: B, C, D, E, F								
Wire size	6 = #26 AWG 8 = #28 AWG (color code 1 or 7 only) 0 = #30 AWG (Wire Type J, color code 1 or 7 only)								
Wire Type	K = M22759/11 J = M22759-33 E = NEMA HP3-EB								
Wire Color	1 = White 5 = Color code per MIL-STD-681 (striped)*			7 = 10 Solid colors, repeating					
Wire Length (inches)	12, 18, 36, 72 Specify any length from 2 inches to 144 inches								

*Size 28 AWG and Size 30 AWG J type wire not available in striped color code 5



Material and Finish		
Code	Material	Finish
ME	Aluminum	Electroless Nickel
ZNU	Aluminum	Zinc-Nickel-PTFE with Black Chromate
MT	Aluminum	Nickel-PTFE
ZR	Aluminum	Zinc-Nickel with Black Chromate
Z1	Stainless Steel	Passivated

ZR plating is RoHS compliant and non-reflective.
ZNU plating is non-reflective and passes 1,000 hours salt spray testing

Shell Size	Ø A		B Thread	Ø C	
	In.	mm.		In.	mm.
5	.540	13.72	.3125-.05P-.1L-2B	.246	6.25
6	.600	15.24	.375-.05P-.1L-2B	.286	7.26
7	.730	18.54	.4375-.05P-.1L-2B	.391	9.93
8	.800	20.32	.5000-.05P-.1L-2B	.443	11.25
9	.862	21.89	.5625-.05P-.1L-2B	.498	12.65

Rev 11/14/17

Dimensions in Inches (millimeters) are subject to change without notice.

© 2014 Glenair, Inc.

Series 80 Mighty Mouse

U.S. CAGE Code 06324

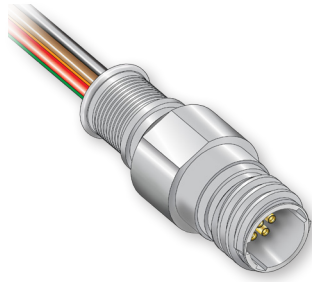
Printed in U.S.A.

Series 811 Mighty Mouse High Density (HD) Pre-Wired In-Line Receptacle Connectors

811-003-01



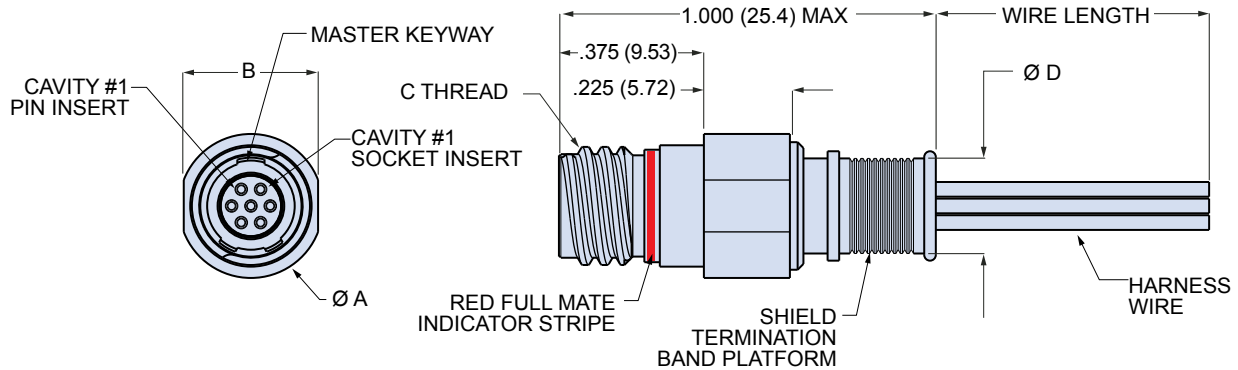
Mighty Mouse
High Density



In-Line Pigtail Receptacles Series 811 Mighty Mouse High Density in-line receptacles feature damage-resistant double-start ACME mating threads and integral shielding/overmolding platforms. These receptacles are factory-terminated to insulated wire and backpotted with epoxy. The TwistPin contact system meets requirements of MIL-DTL-83513 and provides outstanding resistance to high levels of shock and vibration. Choose Type K general purpose Teflon® wire or Type J lightweight space-grade Tefzel® wire. 3A current rating, 600 VAC dielectric withstanding voltage.

How To Order										
Sample Part Number	811-003-01	MT	5-7	S	A	8	K	7	-18	
Series	811-003-01 = Inline									
Material/Finish	See Material and Finish Table									
Shell Size - Insert Arr.	5-7 = 7 Contacts		6-12 = 12 Contacts		7-22 = 22 Contacts					
	8-30 = 30 Contacts		9-42 = 42 Contacts							
Contact Type	P = Pin Contacts		S = Socket Contacts							
Key Position	A = Normal Alternate Key Positions: B, C, D, E, F									
Wire size	6 = #26 AWG		8 = #28 AWG (color code 1 or 7 only)							
	0 = #30 AWG (Wire Type J, color code 1 or 7 only)									
Wire Type	K = M22759/11		J = M22759-33		E = NEMA HP3-EB					
Wire Color	1 = White		5 = Color code per MIL-STD-681 (striped)*			7 = 10 Solid colors, repeating				
Wire Length (inches)	12, 18, 36, 72 Specify any length from 2 inches to 144 inches									

*Size 28 AWG and Size 30 AWG J type wire not available in striped color code 5



Material and Finish		
Code	Material	Finish
ME	Aluminum	Electroless Nickel
ZNU	Aluminum	Zinc-Nickel-PTFE with Black Chromate
MT	Aluminum	Nickel-PTFE
ZR	Aluminum	Zinc-Nickel with Black Chromate
Z1	Stainless Steel	Passivated

ZR plating is RoHS compliant and non-reflective.
ZNU plating is non-reflective and passes 1,000 hours salt spray testing

Dimensions							
Shell Size	Ø A		B Flat		C Thread	Ø D	
	In.	mm.	In.	mm.		In.	mm.
5	.375	9.53	.350	8.89	.3125-.05P-.1L-2A	.246	6.25
6	.415	10.54	.390	9.91	.3750-.05P-.1L-2A	.286	7.26
7	.500	12.70	.475	12.07	.4375-.05P-.1L-2A	.391	9.93
8	.580	14.73	.555	14.10	.5000-.05P-.1L-2A	.443	11.25
9	.635	16.13	.610	15.49	.5625-.05P-.1L-2A	.498	12.65

Rev 11/14/17

Dimensions in Inches (millimeters) are subject to change without notice.

© 2014 Glenair, Inc.

Series 80 Mighty Mouse

U.S. CAGE Code 06324

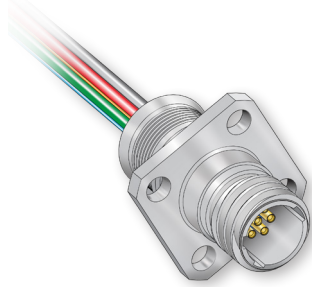
Printed in U.S.A.

GLENAIR, INC. • 1211 AIR WAY • GLENDALE, CA 91201-2497 • 818-247-6000 • FAX 818-500-9912
www.glenair.com **L-7** **E-Mail: sales@glenair.com**



Series 811 Mighty Mouse High Density (HD) Pre-Wired Square Flange Receptacle Connectors

811-003-02 and 811-004-02



Square Flange Pigtail Receptacles series 811 Mighty Mouse High Density panel mount receptacles feature damage-resistant double-start ACME mating threads. These receptacles are factory-terminated to insulated wire and backpotted with epoxy. The TwistPin contact system meets requirements of MIL-DTL-83513 and provides outstanding resistance to high levels of shock and vibration. Choose Type K general purpose Teflon® wire or Type J lightweight space-grade Tefzel® wire. 3A current rating, 600 VAC dielectric withstanding voltage.

How To Order

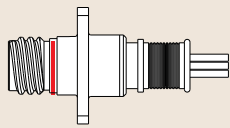
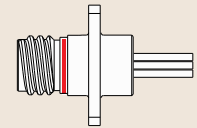
Sample Part Number	811-003-02	MT	5-7	P	A	6	K	7	-18
Series	811-003-02 = Panel Mount Square Flange Receptacle Connector with Termination Platform for Shield Attachment or Overmolding 811-004-02 = Low Profile Panel Mount Square Flange Receptacle Connector								
Material/Finish	See Material and Finish Table								
Shell Size - Insert Arr.	5-7 = 7 Contacts 6-12 = 12 Contacts 7-22 = 22 Contacts 8-30 = 30 Contacts 9-42 = 42 Contacts								
Contact Type	P = Pin Contacts S = Socket Contacts								
Key Position	A = Normal Alternate Key Positions: B, C, D, E, F								
Wire size	6 = #26 8 = #28 (Color code 1 or 7 only) 0 = #30 (Wire Type J, color code 1 or 7 only)								
Wire Type	K = M22759/11 J = M22759-33 E = NEMA HP3-EB								
Wire Color	1 = White 5 = Color code per MIL-STD-681 (striped)* 7 = 10 Solid colors, repeating								
Wire Length (inches)	12, 18, 36, 72 Specify any length from 2 inches to 144 inches								

*Size 28 AWG and Size 30 AWG J type wire not available in striped color code 5

Material and Finish		
Code	Material	Finish
ME	Aluminum	Electroless Nickel
ZNU	Aluminum	Zinc-Nickel-PTFE with Black Chromate
MT	Aluminum	Nickel-PTFE
ZR	Aluminum	Zinc-Nickel with Black Chromate
Z1	Stainless Steel	Passivated

ZR plating is RoHS compliant and non-reflective.
ZNU plating is non-reflective and passes 1,000 hours salt spray testing

Table I: Series

	
811-005-02 Receptacle with Banding Platform	811-004-02 Low Profile Receptacle with Banding Platform

Rev 11/14/17

Dimensions in Inches (millimeters) are subject to change without notice.

© 2014 Glenair, Inc.

Series 80 Mighty Mouse

U.S. CAGE Code 06324

Printed in U.S.A.

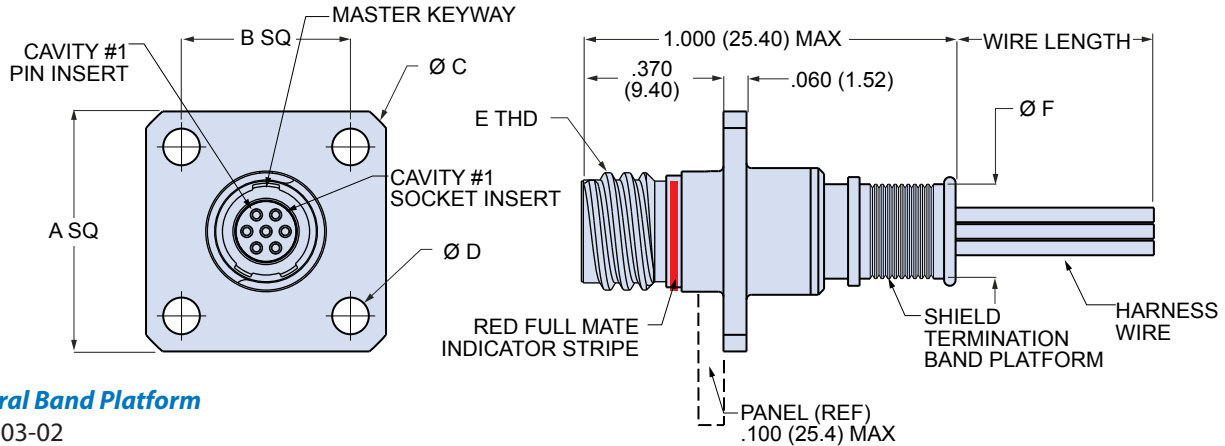
GLENAIR, INC. • 1211 AIR WAY • GLENDALE, CA 91201-2497 • 818-247-6000 • FAX 818-500-9912
www.glenair.com **L-8** **E-Mail: sales@glenair.com**

Series 811 Mighty Mouse High Density (HD)
Pre-Wired Square Flange Receptacle Connectors
811-003-02 and 811-004-02

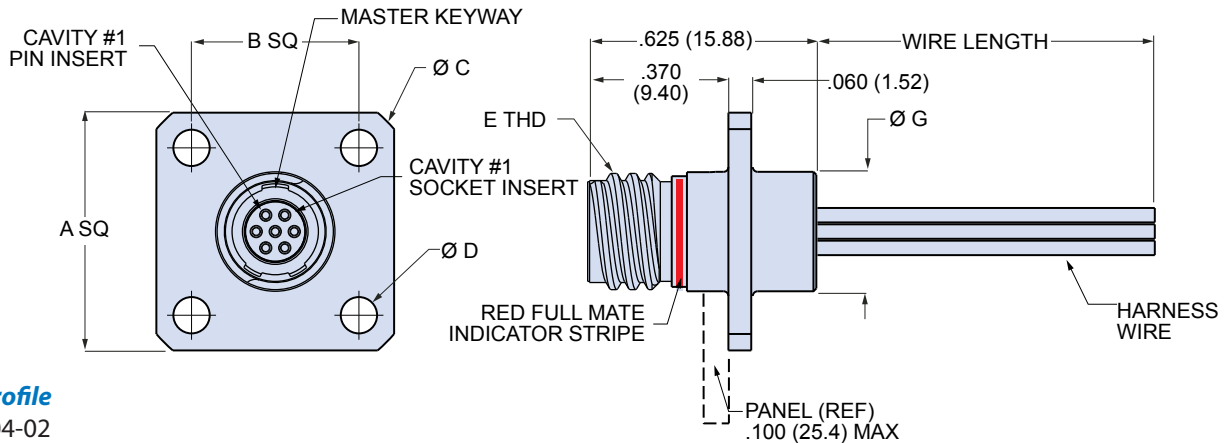


Mighty Mouse
High Density

Square flange receptacle, low profile or with band platform

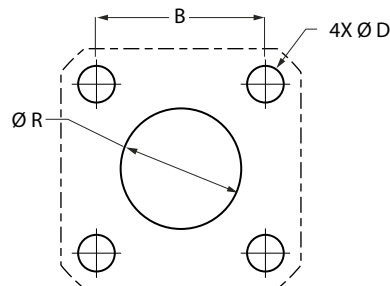


Integral Band Platform
811-003-02



Low Profile
811-004-02

Dimensions													
Shell Size	A Square		B Square		Ø C		Ø D		E Thread	Ø F		Ø G	
	In.	mm.	In.	mm.	In.	mm.	In.	mm.		In.	mm.	In.	mm.
5	.625	15.88	.440	11.18	.825	20.96	.093	2.36	.3125-.05P-1L-2A	.246	6.25	.320	8.13
6	.725	18.42	.530	13.46	.950	24.13	.093	2.36	.3750-.05P-1L-2A	.286	7.26	.375	9.53
7	.800	20.32	.600	15.24	1.050	26.67	.093	2.36	.4375-.05P-1L-2A	.391	9.93	.480	12.19
8	.850	21.59	.650	16.51	1.125	28.58	.093	2.36	.5000-.05P-1L-2A	.443	11.25	.540	13.72
9	.950	24.13	.750	19.05	1.250	31.75	.093	2.36	.5625-.05P-1L-2A	.498	12.65	.600	15.24



Panel Cutout		
Shell Size	Ø R	
	In.	mm.
5	.350	8.89
6	.390	9.91
7	.500	12.70
8	.560	14.22
9	.620	15.75

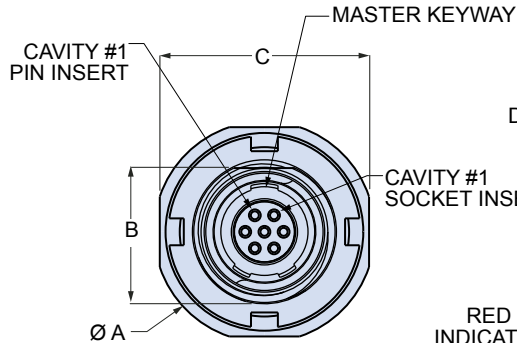
Dimensions in Inches (millimeters) are subject to change without notice.

Series 811 Mighty Mouse High Density (HD)
Pre-Wired Jam Nut Receptacle Connectors
811-003-07 and 811-004-07

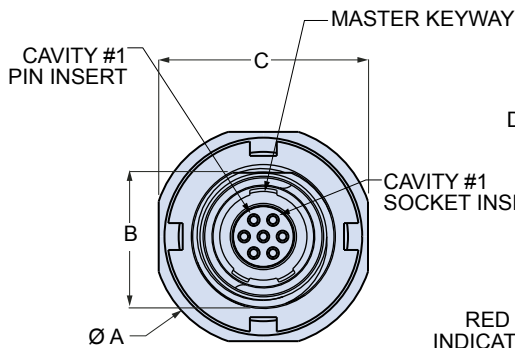
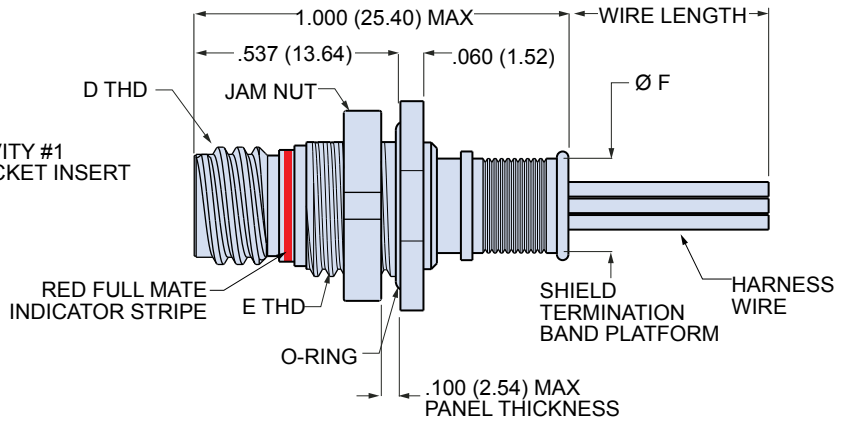


Mighty Mouse
High Density

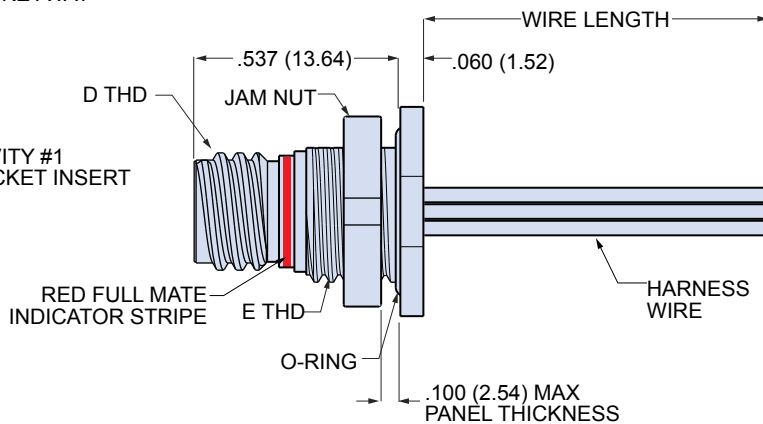
Jam Nut, low profile receptacle with or without shield termination band platform



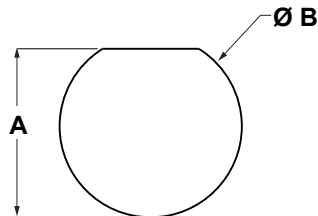
811-003-07
With Band Platform



811-004-07
Low Profile



Dimensions										
Shell Size	Ø A		B		C		D Thread	ETHD UN-2A	Ø F	
	In.	mm.	In.	mm.	In.	mm.			In.	mm.
5	.575	14.61	.350	8.89	.545	13.84	.3125-.05P-.1L-2A	.375-28	.246	6.25
6	.635	16.13	.410	10.41	.595	15.11	.3750-.05P-.1L-2A	.4375-28	.286	7.26
7	.755	19.18	.536	13.61	.723	18.36	.4375-.05P-.1L-2A	.5625-32	.391	9.93
8	.755	19.18	.536	13.61	.723	18.36	.5000-.05P-.1L-2A	.5625-32	.443	11.25
9	.830	21.08	.596	15.14	.790	20.07	.5625-.05P-.1L-2A	.625-28	.498	12.65



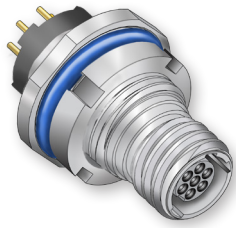
Panel Cutout				
Shell Size	A		B Ø	
	In.±.002	mm.±0.05	In.±.002	mm.±0.05
5	.356	9.04	.385	9.78
6	.416	10.57	.447	11.35
7	.542	13.77	.572	14.53
8	.542	13.77	.572	14.53
9	.602	15.29	.635	16.13

Dimensions in Inches (millimeters) are subject to change without notice.



Series 811 Mighty Mouse High Density (HD) Jam Nut PCB Receptacle Connectors

811-005-07 and 811-006-07 with PC Tails

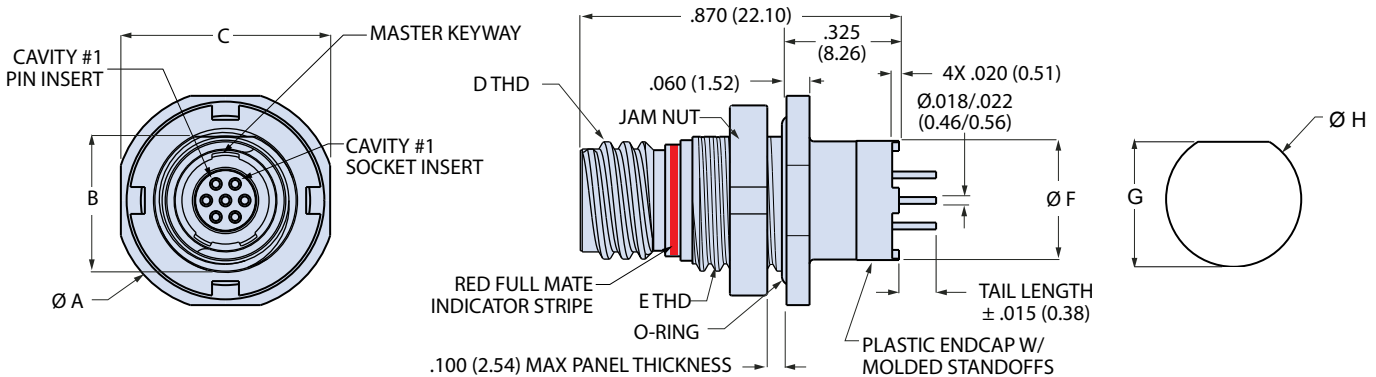


Jam Nut PC Tail Receptacles Series 811 Mighty Mouse High Density jam nut PCB receptacles have straight PC tails for termination to flex circuits or rigid boards. These receptacles are backpotted with epoxy. The TwistPin contact system meets requirements of MIL-DTL-83513 and provides outstanding resistance to high levels of shock and vibration. Choose solder-dipped or gold-plated tails. Select 811-006-07 with enhanced waterblocking for open face (unmated) immersion requirements. Molded plastic endcap has standoffs. 3A current rating, 600 VAC dielectric withstanding voltage.

How To Order

Sample Part Number	811-005-07	MT	5-7	P	A	3	-.125
Series	811-005-07 Series 811 rear panel mount jam nut receptacle, straight pc tails, standard epoxy sealing 811-006-07 Series 811 rear panel mount jam nut receptacle, straight pc tails, enhanced water blocking for open face (unmated) water immersion						
Material/Finish*	ME = Aluminum/Electroless Nickel ZNU = Aluminum/Black Zinc-Nickel MT = Aluminum/Nickel-PTFE ZR = Aluminum/Black Zinc-Nickel Z1 = Stainless Steel/Passivated						
Shell Size - Insert Arr.	5-7 = 7 Contacts		7-22 = 22 Contacts		9-42 = 42 Contacts		
Contact Type	P = Pin Contacts S = Socket Contacts						
Key Position	A = Normal Alternate Key Positions: B, C, D, E, F						
PC Tail Finish	3 = Solder-Dipped in 63/37 Tin-Lead			4 = Gold Plated			
PC Tail Length	.090, .125, .250 (Other lengths are readily available)						

* **ZR** plating is RoHS compliant and non-reflective, **ZNU** plating is non-reflective and passes 1,000 hours salt spray testing



Shell Size	Dimensions									
	Ø A		B		C		D Thread	E THD UN-2A	Ø F	
	In.	mm.	In.	mm.	In.	mm.			In.	mm.
5	.575	14.61	.350	8.89	.545	13.84	.3125-.05P-.1L-2A	.375-28	.350	8.89
6	.635	16.13	.410	10.41	.602	15.29	.3750-.05P-.1L-2A	.4375-28	.490	12.45
7	.755	19.18	.536	13.61	.723	18.36	.4375-.05P-.1L-2A	.5625-32	.600	15.24
8	.755	19.18	.536	13.61	.723	18.36	.5000-.05P-.1L-2A	.5625-32	.670	17.02
9	.830	21.08	.596	15.14	.791	20.09	.5625-.05P-.1L-2A	.625-28	.770	19.56

Shell Size	Panel Cutout			
	G		H Ø	
	In.±.002	mm.±0.05	In.±.002	mm.±0.05
5	.356	9.04	.385	9.78
6	.416	10.57	.447	11.35
7	.542	13.77	.572	14.53
8	.542	13.77	.572	14.53
9	.602	15.29	.635	16.13

Rev 11/14/17

Dimensions in Inches (millimeters) are subject to change without notice.

© 2014 Glenair, Inc.

Series 80 Mighty Mouse

U.S. CAGE Code 06324

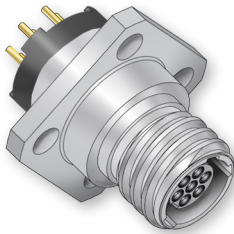
Printed in U.S.A.

Series 811 Mighty Mouse High Density (HD) Square Flange PCB Receptacle Connectors

811-005-02 and 811-006-02 with PC Tails



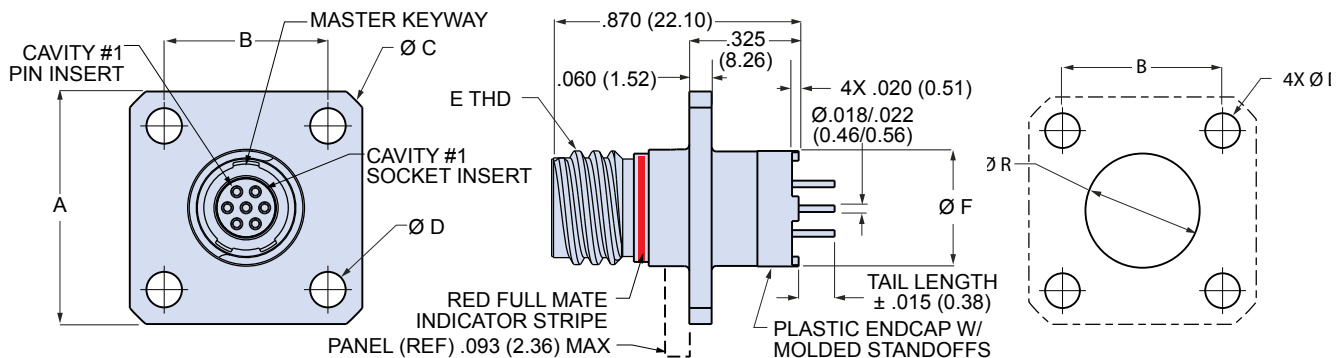
Mighty Mouse
High Density



Square Flange PC Tail Receptacles Series 811 Mighty Mouse High Density jam nut PCB receptacles have straight PC tails for termination to flex circuits or rigid boards. These receptacles are backpotted with epoxy. The TwistPin contact system meets requirements of MIL-DTL-83513 and provides outstanding resistance to high levels of shock and vibration. Choose solder-dipped or gold-plated tails. Select 811-006-02 with enhanced waterblocking for open face (unmated) immersion requirements. Molded plastic endcap has standoffs. 3A current rating, 600 VAC dielectric withstanding voltage.

How To Order							
Sample Part Number	811-005-02	MT	5-7	P	A	3	-.125
Series	811-005-02 Series 811 Rear Panel Mount Square Flange Receptacle, Straight PC Tails, Standard Epoxy Sealing 811-006-02 Series 811 Rear Panel Mount Square Flange Receptacle, Straight PC Tails, Enhanced Water Blocking for Open Face (Unmated) Water Immersion						
Material/Finish *	ME = Aluminum/Electroless Nickel MT = Aluminum/Nickel-PTFE Z1 = Stainless Steel/Passivated		ZNU = Aluminum/ Black Zinc-Nickel ZR = Aluminum/Black Zinc-Nickel				
Shell Size - Insert Arr.	5-7 = 7 Contacts 6-12 = 12 Contacts		7-22 = 22 Contacts 8-30 = 30 Contacts		9-42 = 42 Contacts		
Contact Type	P = Pin Contacts S = Socket Contacts						
Key Position	A = Normal Alternate Key Positions: B, C, D, E, F						
PC Tail Finish	3 = Solder-Dipped in 63/37 Tin-Lead			4 = Gold Plated			
PC Tail Length	.090, .125, .250 (Other lengths are readily available)						

* **ZR** plating is RoHS compliant and non-reflective, **ZNU** plating is non-reflective and passes 1,000 hours salt spray testing



Dimensions											
Shell Size	A Square		B Square		Ø C		Ø D		E Thread	Ø F	
	In.	mm.	In.	mm.	In.	mm.	In.	mm.		In.	mm.
5	.625	15.88	.440	11.18	.825	20.96	.093	2.36	.3125-.05P-.1L-2A	.350	8.89
6	.725	18.42	.530	13.46	.950	24.13	.093	2.36	.3750-.05P-.1L-2A	.490	12.45
7	.800	20.32	.600	15.24	1.050	26.67	.093	2.36	.4375-.05P-.1L-2A	.600	15.24
8	.850	21.59	.650	16.51	1.125	28.58	.093	2.36	.5000-.05P-.1L-2A	.670	17.02
9	.950	24.13	.750	19.05	1.250	31.75	.093	2.36	.5625-.05P-.1L-2A	.770	19.56

Panel Cutout		
Shell Size	Ø G	
	In.	mm.
5	.360	9.14
6	.410	10.41
7	.520	13.21
8	.570	14.48
9	.660	16.76

Rev 11/14/17

Dimensions in Inches (millimeters) are subject to change without notice.

© 2014 Glenair, Inc.

Series 80 Mighty Mouse

U.S. CAGE Code 06324

Printed in U.S.A.



Series 811 Mighty Mouse High Density (HD) PCB Receptacle Connector Hole Patterns

811-005 and 811-006

Component Mounting Side of PCB

Component Mounting Side of PCB		
<p>Pin Insert Engaging Face 5-7</p>	<p>Pin Connector</p>	<p>Socket Connector</p>
<p>Pin Insert Engaging Face 6-12</p>	<p>Pin Connector</p>	<p>Socket Connector</p>
<p>Pin Insert Engaging Face 7-22</p>	<p>Pin Connector</p>	<p>Socket Connector</p>
<p>Pin Insert Engaging Face 8-30</p>	<p>Pin Connector</p>	<p>Socket Connector</p>
<p>Pin Insert Engaging Face 9-42</p>	<p>Pin Connector</p>	<p>Socket Connector</p>

Dimensions in Inches (millimeters) are subject to change without notice.

Series 811 Mighty Mouse High Density (HD) Harsh Environment Cordsets

811-007



Mighty Mouse
High Density

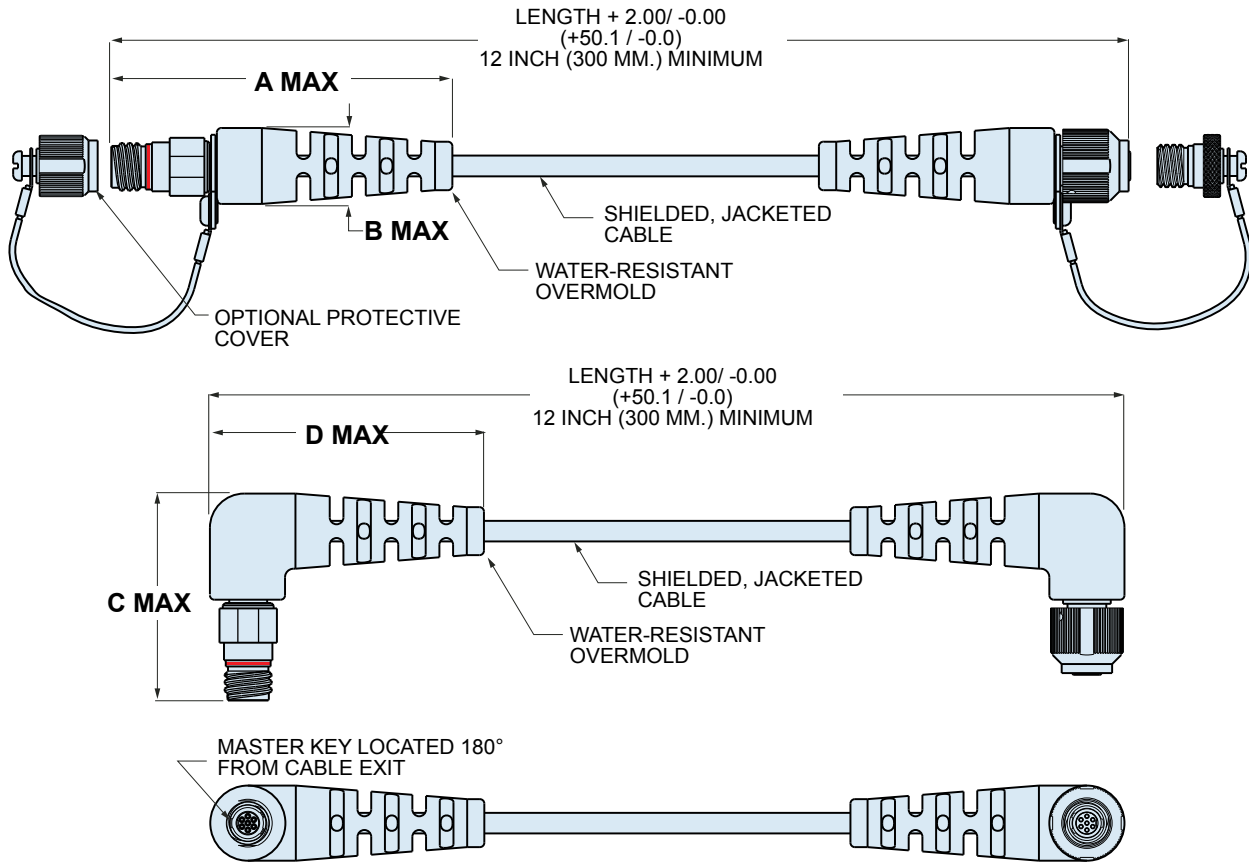


Harsh Environment Cordsets Overmolded Series 811 cordsets withstand abrasion and chemical exposure. Cable construction features silver coated stranded conductors with TFE insulation, tinned copper braid shield and extruded black polyurethane jacket. Choose single-ended pigtails or double-ended "back-to-back" cables. Semi-rigid polyamide overmold provides strain relief and environmental sealing.

- **Tough polyurethane jacket, low-smoke, zero halogen**
- **Water-resistant to 1 meter**
- **100% electrically tested**
- **Shielded with 90% minimum tinned copper braid**
- **Straight or right angle**
- **Easy to order, quick delivery**

How To Order	
Sample Part Number	811-007 -A S C S 6 MT 5-7 P A -60
Series	811-007 = Overmolded Cordset
End "A" Connector	-A = Plug with Female Socket Contacts -B = Plug with Male Pin Contacts -C = Receptacle with Male Pin Contacts -D = Receptacle with Female Socket Contacts
End "A" Configuration	S = Straight R = Right Angle
End "B" Connector	A = Plug with Female Socket Contacts B = Plug with Male Pin Contacts C = Receptacle with Male Pin Contacts D = Receptacle with Female Socket Contacts N = No Connector (Single-Ended Pigtail)
End "B" Configuration	S = Straight R = Right Angle (Omit For Single-Ended Pigtail)
Wire Size	6 = #26 Awg
Shell Finish	ME = Aluminum/Electroless Nickel ZNU = Aluminum/Zinc-Nickel with Black Chromate MT = Aluminum/Nickel-PTFE Z1 = Stainless Steel/Passivated ZR = Aluminum/Black Zinc-Nickel
Layout (Shell Size-Cont.)	5-7, 6-12, 7-22, 8-30, 9-42
Protective Cover	P = Metal Protective Covers Included N = No Protective Covers
Key Postion	A = Normal Alternate Key Positions: B, C, D, E, F
Length in Inches	Overall Length In Inches (12 Inch Minimum)

Dimensions in Inches (millimeters) are subject to change without notice.



Dimensions								
Shell Size	A Max.		B Max.		C Max.		D Max.	
	In.	mm.	In.	mm.	In.	mm.	In.	mm.
5	2.50	63.5	0.60	15.3	2.20	55.9	1.50	38.1
6	2.50	63.5	0.60	15.3	2.20	55.9	1.50	38.1
7	2.50	63.5	0.70	17.8	2.40	61.0	1.50	38.1
8	2.60	66.0	0.75	19.1	2.50	63.5	1.60	40.7
9	2.90	73.7	0.85	21.6	2.70	68.6	1.90	48.3

NOTES

Material and Finishes

- Cable Jacket Material: Thermoplastic Polyurethane, Black, Low-Smoke, Zero-Halogen
- Cable Shield: Tin-Coated Copper Braid, 90% Minimum Coverage
- Conductors: Silver Coated Stranded Wire, TFE Insulated, Per M22759/11
- Band-Master™ ATS Shield Termination Band: Stainless Steel
- Current Rating: 3 A.
- Test Voltage (Dielectric Withstanding Voltage): 600 VAC Sea Level
- Insulation Resistance: 200 megohms minimum
- Operating Temperature: -30° C. to +105° C.
- Solvent Resistance, Polyamide Overmold: Excellent Resistance to Most Solvents, Fuels, and Oils; Poor Resistance to Strong Acids and Bipolar Solvents (Alcohol)
- Shielding Effectiveness: 50 dB minimum from 100MHz to 1000MHz.

Dimensions in Inches (millimeters) are subject to change without notice.

SERIES 80
AND STINGER
CONTACTS

MIGHTY MOUSE

**MIGHTY
MOUSE**

Stinger equipped Mighty Mouse connectors offer HD performance in a front release crimp contact format



Mighty Mouse 841, 844, and 845 Stinger™ equipped connectors provide a light weight, high density solution on .050 centers. Unique HD front release design allows for in-house cable termination or field repairs by technicians. These contacts are available for Mighty Mouse series 801, 804 and 805 connectors.

Features Include:

- Integrated retention clip and o-ring sealing
- Contacts meet all applicable SAE AS39029 requirements
- Contacts accommodate wire range of 30-24 AWG (.042 max diameter)
- Low mating force, 1/3 insertion force of typical fixed Micro-D TwistPin
- Minimum of 2 guide pins to prevent damage to contact pin

Glenair®

Glenair, Inc.
1211 Air Way
Glendale, CA
91201-2497
818-247-6000
sales@glenair.com
www.glenair.com

Series 80 Mighty Mouse Connectors with High-Density Front Release Stinger™ Contacts

Table of Contents and Introduction



PRODUCT SELECTION GUIDE



Series 841 Stinger™ Equipped Plug and Receptacle

Connectors are supplied with size #28 AWG front release crimp Stinger™ contacts on .050 centers. Plugs feature double-start threads and integral banding platform or accessory thread for attachment of backshells or strain reliefs.

Page M-4



Series 844 Push-Pull Stinger™ Equipped Plug and Receptacle

Connectors are supplied with size #28 AWG front release crimp Stinger™ contacts on .050 centers. Connectors feature push-pull style mating and integral banding platform or accessory thread for attachment of backshells or strain reliefs.

Page M-10



Series 845 Stinger™ Equipped Plug and Receptacle

Connectors are supplied with size #28 AWG front release crimp Stinger™ contacts on .050 centers. Plugs feature triple-start threads and integral banding platform or accessory thread for attachment of backshells or strain reliefs.

Page M-16



Series 80 Stinger™ Tools

Contact removal and crimp tools for series 84 contacts

Page M-23

Dimensions in Inches (millimeters) are subject to change without notice.



Series 841, 844 and 845 Mighty Mouse Stinger™ Equipped Connectors

General Information



- Front-release crimp contact solution
- High-density .050" centers
- Integrated retention clip and O-ring sealing
- Available for Series 801 (threaded stub-ACME), 804 (push-pull) and 805 (triple-start) connectors
- Stinger™ contacts meet all applicable requirements of SAE AS39029
- Low mating force, 1/3 insertion force of typical fixed Micro-D twist pin

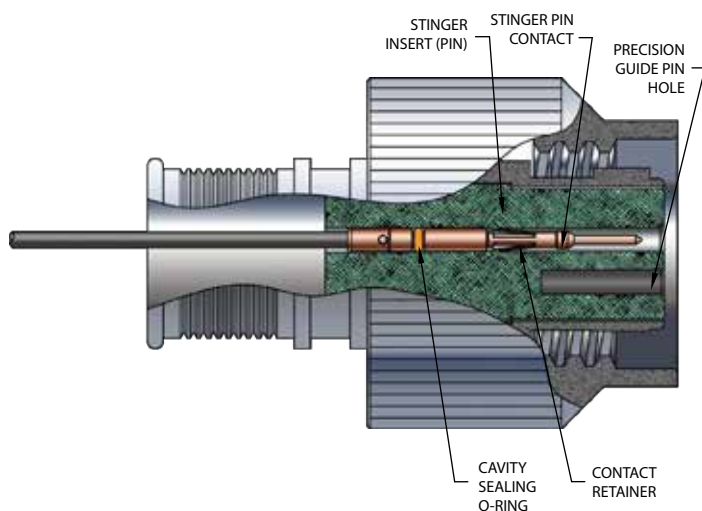
M

High-Density Stinger™ Front Release Crimp Contact Equipped Series 841, 844 and 845 Connectors

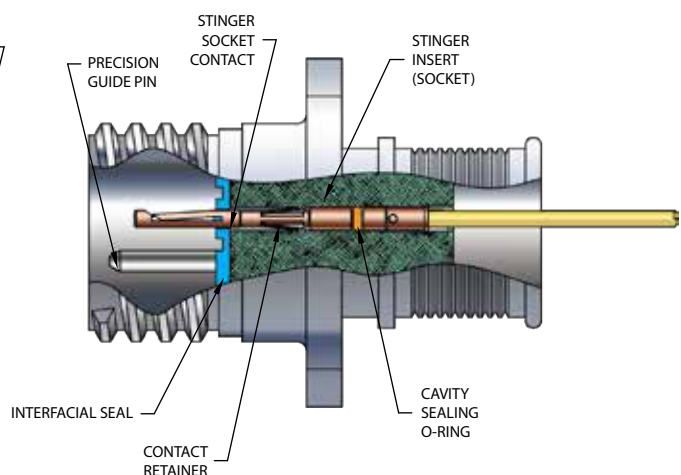
The Glenair size #28 Stinger™ contact system is now available for series 801, 804 and 805 connectors for applications that require high density (.050" center) insert arrangements with convenient front-release crimp-contact termination. Stinger™ contacts accommodate a wire range from 30-24 AWG and feature an integrated O-ring seal and retention clip. Unlike the Glenair Series 811 High-Density solution with its pot-in-place TwistPin contacts, Stinger™ crimp removable contacts allow users to terminate cables, populate connectors and build high-density wire harnesses in-house.

Part No.	Description	Part No.	Description
850-200	Size #28 Crimp Stinger™ Pin Contact	850-201	Size #28 Crimp Style Stinger™ Socket Contact

Plug Cross-Section (841 shown)



Receptacle Cross-Section (841 shown)

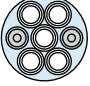
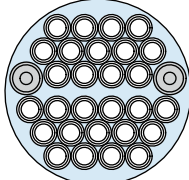
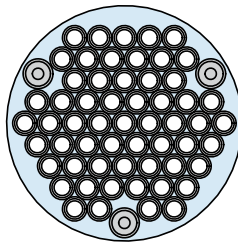
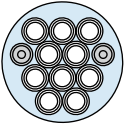
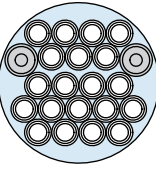
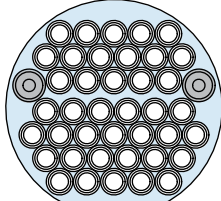
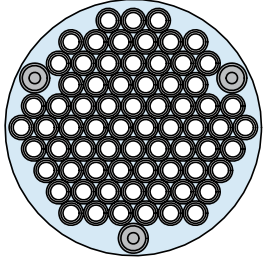


Dimensions in Inches (millimeters) are subject to change without notice.

Series 841, 844 and 845 Mighty Mouse Stinger™ Equipped Connectors Insert Arrangements



Series 844 Specifications			
Insulation Resistance	5,000 Megohm Min.	Durability	2000 cycles
Dielectric Withstanding Voltage	500 VAC at sea level	Contact Retention	2 lbs. axial force
Low Level Contact Resistance	50 milliohms Max per AS39029	Contact Engagement Force	3.6 ounces Max
Contact Resistance	54 millivolts Max per AS39029	Contact Separation Force	0.4 ounces Min
Current Carrying Capacity	1.5 Amps	Please consult factory for higher current carrying capacity	

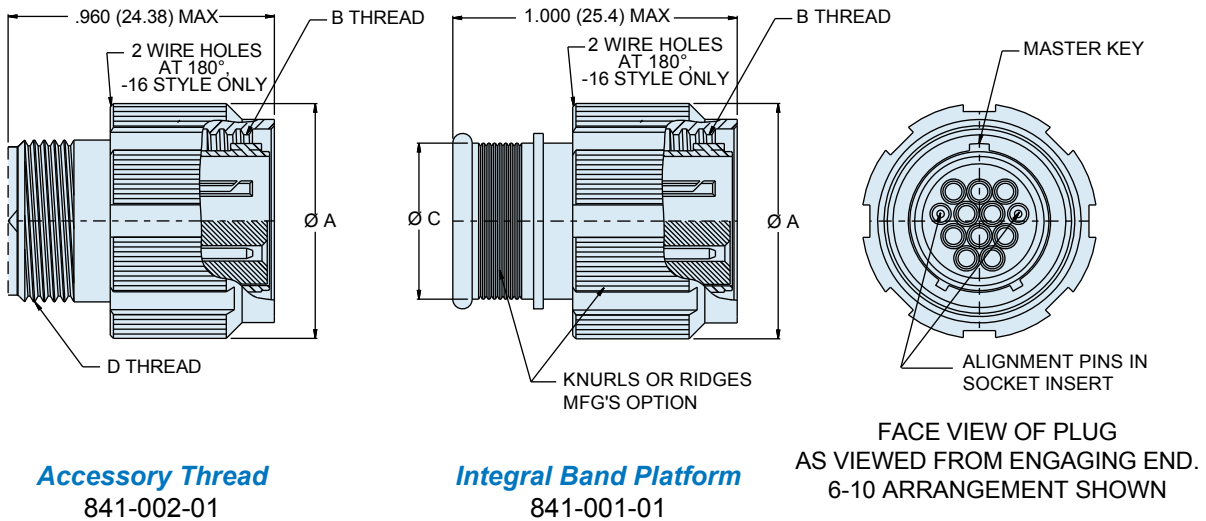
Insert Arrangements								
 <p>(2x Guide Pins)</p>	Series 841	5-5: 5x #28 Contacts	 <p>(2x Guide Pins)</p>	 <p>(3x Guide Pins)</p>				
	Series 844	5-5: 5x #28 Contacts			Series 841	10-58: 58x #28 Contacts		
	Series 845	N/A			Series 844	10-58: 58x #28 Contacts		
 <p>(2x Guide Pins)</p>	Series 841	6-10: 10x #28 Contacts	Series 841	10-58: 58x #28 Contacts				
	Series 844	6-10: 10x #28 Contacts	Series 844	10-58: 58x #28 Contacts				
	Series 845	8-10: 10x #28 Contacts	Series 845	12-58: 58x #28 Contacts				
 <p>(2x Guide Pins)</p>	Series 841	7-20: 20x #28 Contacts	 <p>(2x Guide Pins)</p>	 <p>(3x Guide Pins)</p>				
	Series 844	7-20: 20x #28 Contacts			Series 841	9-40: 40x #28 Contacts	Series 841	11-71: 71x #28 Contacts
	Series 845	9-20: 20x #28 Contacts			Series 844	9-40: 40x #28 Contacts	Series 844	11-71: 71x #28 Contacts
	Series 845	9-20: 20x #28 Contacts	Series 845	11-40: 40x #28 Contacts	Series 845	13-71: 71x #28 Contacts		



Dimensions in Inches (millimeters) are subject to change without notice.

Series 841 Stinger™ Mighty Mouse Double-Start ACME Thread Plug

841-001 and 841-002 Dimensions



Dimensions								
Shell Size	Ø A Shell Style 16		Ø A Shell Style 26		B Thread	Ø C		D Thread
	In.	mm.	In.	mm.		In.	mm.	
5	0.54	13.72	0.65	16.51	.3125-.05P-.1L-DS-2B	.245	6.22	.2500-32 UNEF-2A
6	0.60	15.24	0.69	17.53	.3750-.05P-.1L-DS-2B	.290	7.37	.3125-32 UNEF-2A
7	0.69	17.53	0.79	20.07	.4375-.05P-.1L-DS-2B	.390	9.91	.4375-28 UNEF-2A
8	0.75	19.05	0.83	21.08	.5000-.05P-.1L-DS-2B	.445	11.30	.5000-28 UNEF-2A
9	0.81	20.57	0.92	23.37	.5625-.05P-.1L-DS-2B	.500	12.70	.5625-24 UNEF-2A
10	0.88	22.35	0.98	24.89	.6250-.05P-.1L-DS-2B	.560	14.22	.6250-24 UNEF-2A
11	0.92	23.37	1.02	25.91	.6875-.05P-.1L-DS-2B	.605	15.37	.6875-24 UNEF-2A

Table I: Key Positions		
	A°	B°
A	150°	210°
B	75°	210°
C	95°	230°
D	140°	275°
E	75°	275°
F	95°	210°

Dimensions in Inches (millimeters) are subject to change without notice.



Series 841 Stinger™ Mighty Mouse Double-Start ACME Thread Receptacle

841-003 and 841-004 Ordering Information



Series 841 Mighty Mouse Receptacle with Stinger™ Contacts. Durable, low insertion force, front release size #28 contacts feature integrated retention clips and O-ring sealing for optimized performance. All 841 series shells feature a double-start modified stub ACME mating thread for improved protection against cross-mating and thread damage. Connector shells are machined aluminum or stainless steel and available in in-line, rear panel mount jam-nut and square flange. Available in shell sizes 5 to 11 with 7 contact arrangements. All arrangements include a minimum of two guide pins.

M

How To Order	
Sample Part Number	841-003 -07 ZNU 6-10 P A
Series (See Table I)	841-003 = Receptacle with Integrated Banding Porch 841-004 = Receptacle with Accessory Thread
Shell Style (See Table II)	-01 = In-Line Receptacle for Free-Hanging Cables -02 = Thru Hole Square Flange Receptacle for Front or Rear Panel Mounting -12 = Square Flange Receptacle for Rear Panel Mounting with "Non-Locking" Clinch Nuts -22 = Square Flange Receptacle for Rear Panel Mounting with "Locking" Clinch Nuts -07 = Jam Nut Receptacle for Rear Panel Mounting
Material and Finish	M = Aluminum/Electroless Nickel RoHS Compliant MT = Aluminum/Nickel-PTFE RoHS Compliant NF = Aluminum/Cadmium with Olive Drab Chromate ZNU = Aluminum/Zinc-Nickel with Black Chromate Z1 = Stainless Steel/Passivated RoHS Compliant
Shell Size - Insert Arrangement	5-5, 6-10, 7-20, 8-28, 9-40, 10-58, 11-71
Contact Type	P = Pin with O-ring S = Socket with O-ring
Shell Key Positions (See Table I)	A = Normal B = Pos. B C = Pos. C D = Pos. D E = Pos. F F = Pos. F

Table I: Series	
841-003 Banding Platform	841-004 Rear Accessory Thread

Table II: Shell Style		
Style -01 In-line	Style -02/-12/-22 Square Flange	Style -07 Jam Nut

Table III: Keyway Positions		
	A°	B°
A	150°	210°
B	75°	210°
C	95°	230°
D	140°	275°
E	75°	275°
F	95°	210°

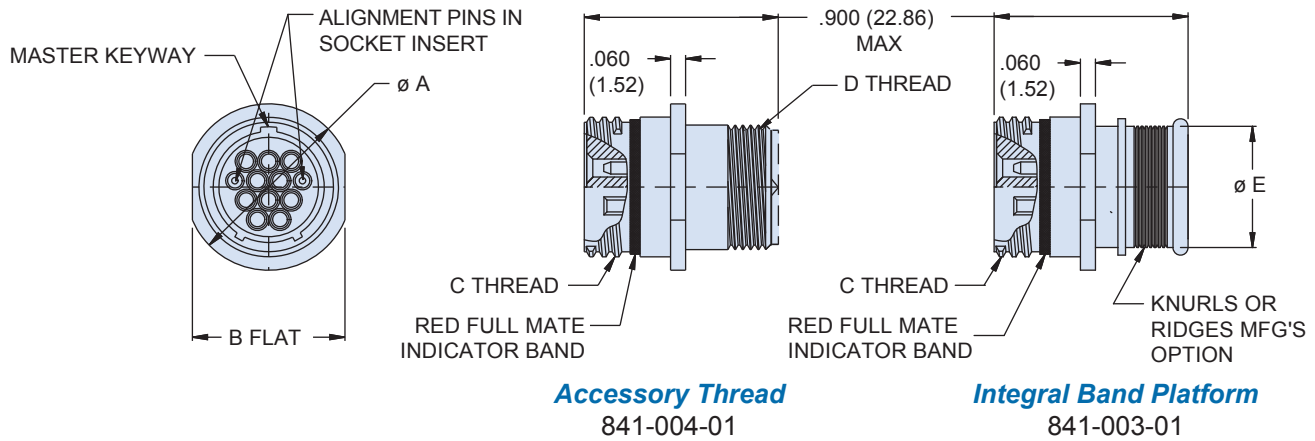
Dimensions in Inches (millimeters) are subject to change without notice.

Series 841 Stinger™ Mighty Mouse Double-Start ACME Thread Receptacle

841-003 and 841-004 - Shell Style 01 and 02 Dimensions

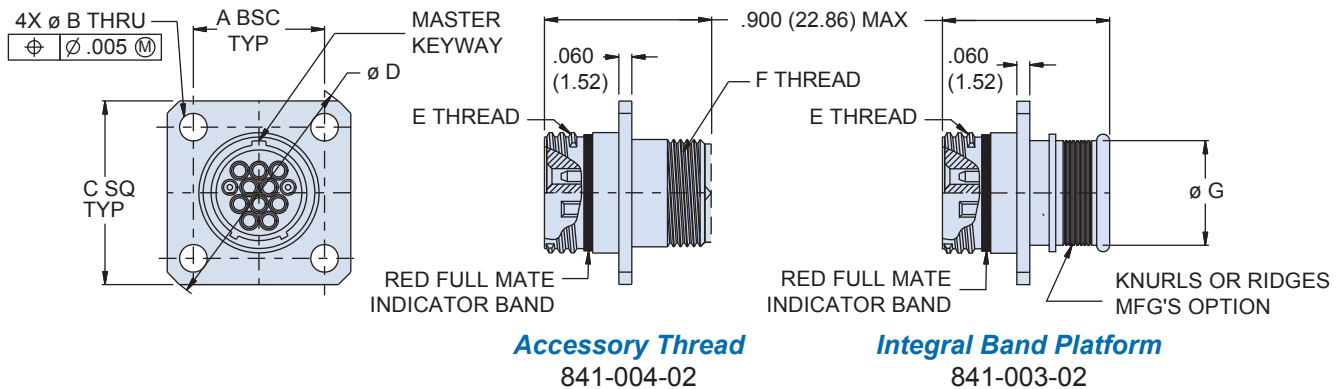


Inline receptacle - shell style 01



Shell Size	Ø A		B Flat		C Thread	D Thread	Ø E	
	in	mm	in	mm			in	mm
	5	0.355	9.02	0.325			8.26	.3125-.05P-.1L-DS-2A
6	0.415	10.54	0.385	9.78	.3750-.05P-.1L-DS-2A	.3125-23 UNEF-2A	0.290	7.37
7	0.480	12.19	0.445	11.30	.4375-.05P-.1L-DS-2A	.4375-28 UNEF-2A	0.390	9.91
8	0.540	13.72	0.510	12.95	.5000-.05P-.1L-DS-2A	.5000-28 UNEF-2A	0.445	11.30
9	0.605	15.37	0.575	14.61	.5625-.05P-.1L-DS-2A	.5625-24 UNEF-2A	0.500	12.70
10	0.665	16.89	0.635	16.13	.6250-.05P-.1L-DS-2A	.6250-24 UNEF-2A	0.560	14.22
11	0.730	18.54	0.700	17.78	.6875-.05P-.1L-DS-2A	.6875-24 UNEF-2A	0.605	15.37

Square flange, front or rear mount receptacle - shell style 02



Shell Size	A BSC		B Holes		C SQ		Ø D		E Thread	F Thread	Ø G	
	in	mm	in	mm	in	mm	in	mm			in	mm
	5	0.363	9.22			0.530	13.46	0.680			17.27	.3125-.05P-.1L-DS-2A
6	0.423	10.74	.096	2.44	0.590	14.99	0.750	19.05	.3750-.05P-.1L-DS-2A	.3125-23 UNEF-2A	0.290	7.37
7	0.483	12.27	.091	2.31	0.650	16.51	0.850	21.59	.4375-.05P-.1L-DS-2A	.4375-28 UNEF-2A	0.390	9.91
8	0.545	13.84			0.712	18.08	0.938	23.83	.5000-.05P-.1L-DS-2A	.5000-28 UNEF-2A	0.445	11.30
9	0.607	15.42			0.850	21.59	1.125	28.58	.5625-.05P-.1L-DS-2A	.5625-24 UNEF-2A	0.500	12.70
10	0.670	17.02	.130	3.30	0.890	22.61	1.188	30.18	.6250-.05P-.1L-DS-2A	.6250-24 UNEF-2A	0.560	14.22
11	0.715	18.16	.126	3.20	0.935	23.75	1.250	31.75	.6875-.05P-.1L-DS-2A	.6875-24 UNEF-2A	0.605	15.37

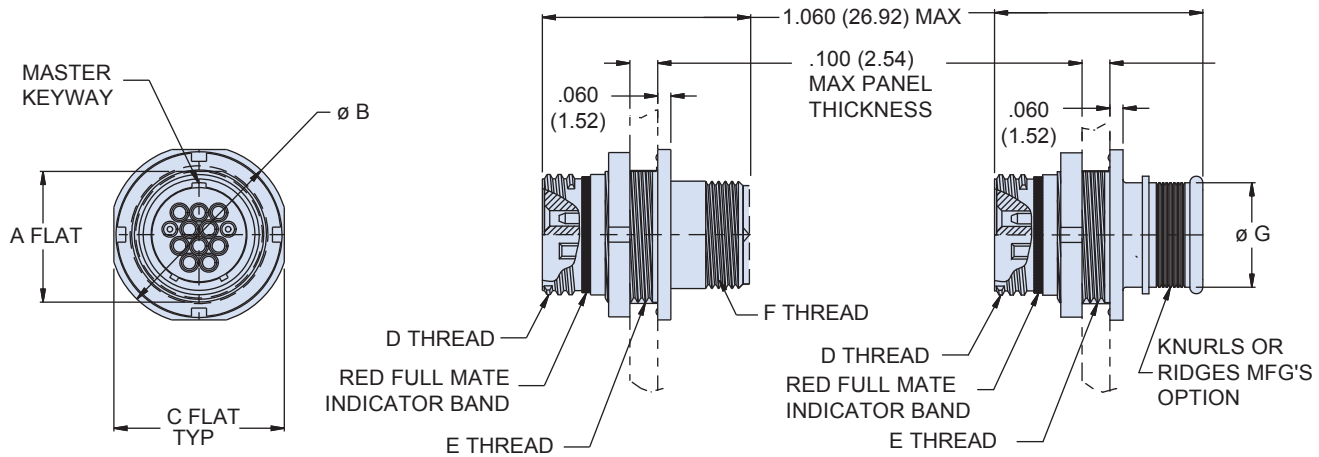
Dimensions in Inches (millimeters) are subject to change without notice.



Series 841 Stinger™ Mighty Mouse Double-Start ACME Thread Receptacle

841-003 and 841-004 - Shell Style 07 Dimensions

Jam nut, rear panel mount receptacle - shell style 07



Accessory Thread
841-004-07

Integral Band Platform
841-003-07

Dimensions

Shell Size	A Flat		Ø B		C Flat		D Thread	E Thread	F Thread	Ø G	
	In	mm	In	mm	In	mm				In	mm
5	0.350	8.89	0.575	14.61	0.545	13.84	.3125-.05P-.1L-DS-2A	.3750-28 UN-2A	.2500-32 UNEF-2A	.245	6.22
6	0.410	10.41	0.635	16.13	0.595	15.11	.3750-.05P-.1L-DS-2A	.4375-28 UNEF-2A	.3125-32 UNEF-2A	.290	7.37
7	0.536	13.61	0.755	19.18	0.723	18.36	.4375-.05P-.1L-DS-2A	.5625-32 UN-2A	.4375-28 UNEF-2A	.390	9.91
8	0.536	13.61	0.755	19.18	0.723	18.36	.5000-.05P-.1L-DS-2A	.5625-32 UN-2A	.5000-28 UNEF-2A	.445	11.30
9	0.596	15.14	0.830	21.08	0.790	20.07	.5625-.05P-.1L-DS-2A	.6250-28 UN-2A	.5625-24 UNEF-2A	.500	12.70
10	0.658	16.71	0.890	22.61	0.855	21.72	.6250-.05P-.1L-DS-2A	.6875-28 UN-2A	.6250-24 UNEF-2A	.560	14.22
11	0.718	18.24	0.960	24.38	0.925	23.50	.6875-.05P-.1L-DS-2A	.7500-28 UN-2A	.6875-24 UNEF-2A	.605	15.37

Panel Cutout Dimensions

N Flat		Ø P	
in	mm	in	mm
.358	9.09	.385	9.78
.354	8.99		
.418	10.62	.448	11.38
.414	10.52		
.544	13.82	.573	14.55
.540	13.72		
.544	13.82	.573	14.55
.540	13.72		
.604	15.34	.635	16.13
.600	15.24		
.668	16.97	.698	17.73
.664	16.87		
.728	18.49	.760	19.30
.724	18.39		

-07 JAM NUT
PANEL CUTOUT

Dimensions in Inches (millimeters) are subject to change without notice.

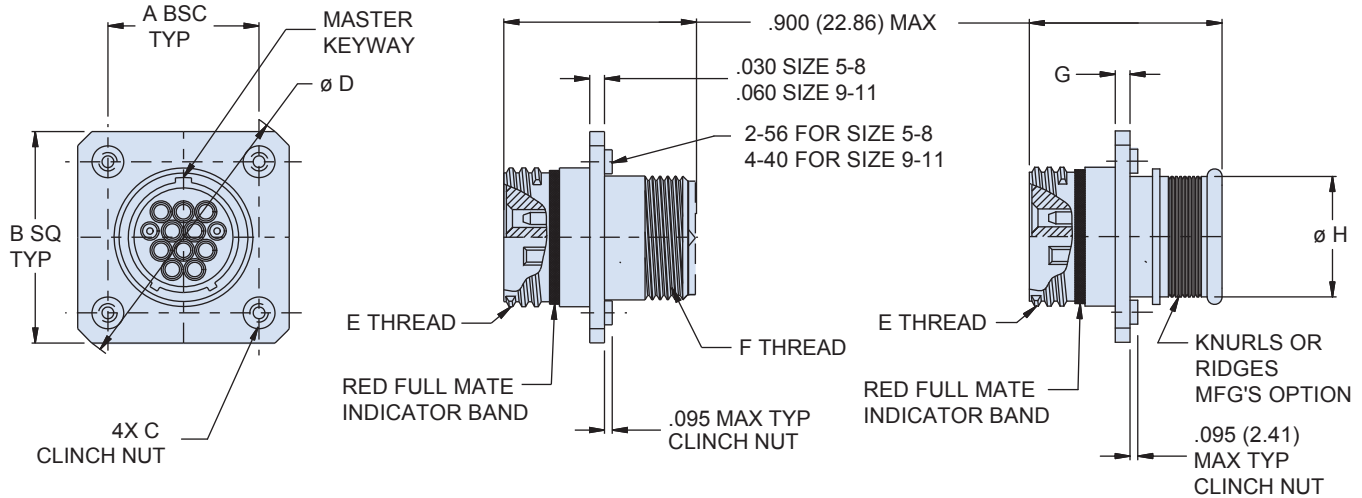
Series 841 Stinger™ Mighty Mouse Double-Start ACME Thread Receptacle

841-003 and 841-004 - Shell Style 12/22 Dimensions



Series 841 Stinger™
Connectors

Square flange, rear panel mount receptacle - shell style 12/22

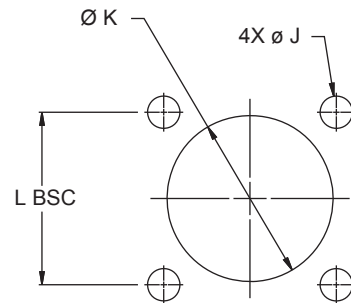


Accessory Thread
841-004-12 and 841-004-22

Integral Band Platform
841-003-12 and 841-003-22

Dimensions													
Shell Size	A BSC		B Sq		C Clinch	ϕD		E Thread	F Thread	G		ϕH	
	in	mm	in	mm		in	mm			in	mm	in	mm
5	0.363	9.22	0.623	15.82	2-56	.774	19.66	.3125-.05P-.1L-DS-2A	.2500-32 UNEF-2A	.030	.76	0.245	6.22
6	0.423	10.74	0.683	17.35		.860	21.84	.3750-.05P-.1L-DS-2A	.3125-23 UNEF-2A			0.290	7.37
7	0.483	12.27	0.743	18.87		.944	23.98	.4375-.05P-.1L-DS-2A	.4375-28 UNEF-2A			0.390	9.91
8	0.545	13.84	0.805	20.45		1.032	26.21	.5000-.05P-.1L-DS-2A	.5000-28 UNEF-2A			0.445	11.30
9	0.607	15.42	0.927	23.55		1.180	29.97	.5625-.05P-.1L-DS-2A	.5625-24 UNEF-2A			0.500	12.70
10	0.670	17.02	0.990	25.15	4-40	1.268	32.21	.6250-.05P-.1L-DS-2A	.6250-24 UNEF-2A	.060	1.52	0.560	14.22
11	0.715	18.16	1.035	26.29		1.331	33.81	.6875-.05P-.1L-DS-2A	.6875-24 UNEF-2A			0.605	15.37

Panel Cutout Dimensions						
Shell Size	ϕJ		ϕK		L BSC	
	in	mm	in	mm	in	mm
5	.096	2.44	.328	8.33	.363	9.22
6			.390	9.91	.423	10.74
7			.453	11.51	.483	12.27
8			.515	13.08	.545	13.84
9	.130	3.30	.578	14.68	.607	15.42
10			.640	16.26	.670	17.02
11			.703	17.86	.715	18.16

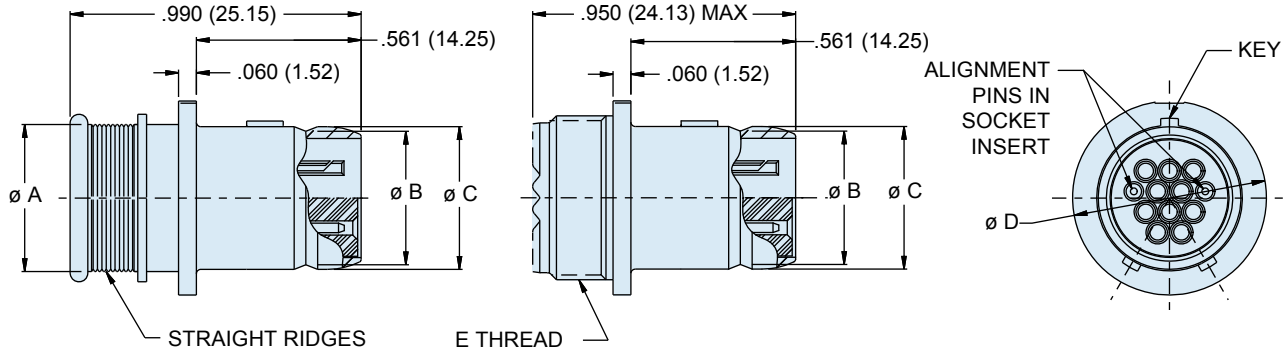


-02 FLANGE
-12 & 22 FLANGE
PANEL CUTOUT

Dimensions in Inches (millimeters) are subject to change without notice.

Series 844 Stinger™ Mighty Mouse Push-Pull Plug

844-001 and 844-002 - Shell Style 06 Dimensions



Integral Band Platform
841-001-06

Accessory Thread
841-002-06

M

Dimensions									
Shell Size	Ø A		Ø B		Ø C		Ø D Max		E Thread
	In	mm	In	mm	In	mm	In	mm	
5	0.246	6.25	0.219	5.56	0.250	6.35	0.427	10.85	.2500-32 UNEF-2A
6	0.286	7.26	0.282	7.16	0.313	7.95	0.495	12.57	.3125-32 UNEF-2A
7	0.390	9.91	0.351	8.92	0.383	9.73	0.575	14.61	.4375-28 UNEF-2A
8	0.442	11.23	0.398	10.11	0.429	10.90	0.614	15.60	.5000-28 UNEF-2A
9	0.500	12.70	0.454	11.53	0.486	12.34	0.670	17.02	.5625-24 UNEF-2A
10	0.564	14.33	0.529	13.44	0.563	14.30	0.745	18.92	.6250-24 UNEF-2A
11	0.608	15.44	0.587	14.91	0.618	15.70	0.795	20.19	.6875-24 UNEF-2A

Table II: Key Positions		
	A°	B°
A	150°	210°
B	75°	210°
C	95°	230°
D	140°	275°
E	75°	275°
F	95°	210°

Dimensions in Inches (millimeters) are subject to change without notice.



Series 844 Stinger™ Mighty Mouse Push-Pull Receptacle

844-003 and 844-004 - Ordering Information



Series 844 Mighty Mouse Receptacle with Stinger™ Contacts. These durable, low insertion force connectors feature front release size #28 contacts with integrated retention clips and O-ring sealing for optimized performance. Series 844 shells feature a push-pull interface ideal for breakaway connections. Quick disconnect connector employs a stainless steel spring in the receptacle and a detent on the plug body and are well suited for use in headsets, radios, weapons and other applications, while providing excellent durability. The gold-plated spring provides low shell-to-shell resistance for excellent EMI shielding. Connector shells are machined aluminum or stainless steel. Available in front panel mount, rear panel mount and in-line shell styles from size 5 to 11 with 7 contact arrangements. All arrangements include a minimum of two guide pins.

M

How To Order	
Sample Part Number	844-003 -00 ZNU 6-10 P A
Series	844-003 = Receptacle with Integrated Banding Porch 844-004 = Receptacle with Accessory Thread
Shell Style	-00 = Front Panel Mount Jam Nut (See Table V) -01 = In-Line -07 = Rear Panel Mount Jam Nut (See Table IV)
Material and Finish	C = Black Anodize Finish M = Aluminum/Electroless Nickel RoHS Compliant NF = Aluminum/Olive Drab Cadmium over Electroless Nickel Finish ZN = AluminumZinc-Nickel/Olive Drab over Electroless Nickel Z1 = Stainless Steel/Passivated RoHS Compliant ZB = Olive Drab Chromate over Cadmium ZC = Stainless Steel/Zinc Cobalt Alloy/Black Chromate
Shell Size - Insert Arrangement	5-5, 6-10, 7-20, 8-28, 9-40, 10-58, 11-71
Contact Type	P = Pin with O-ring S = Socket with O-ring
Shell Key Positions (See Table I)	A = Normal B = Pos. B C = Pos. C D = Pos. D E = Pos. F F = Pos. F

Table I: Series	
844-003 Banding Platform	844-004 Rear Accessory Thread

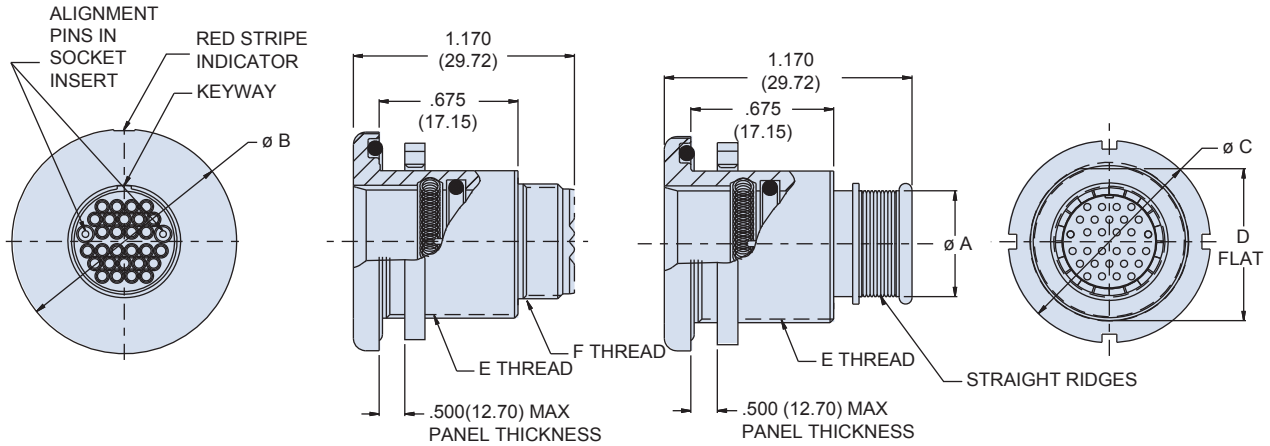
Table II: Shell Style		
-00 Jam Nut for Front Panel Mounting	-01 In-Line for Free-Hanging Cable	-07 Jam Nut for Rear Panel Mounting

Dimensions in Inches (millimeters) are subject to change without notice.

Series 844 Stinger™ Mighty Mouse
 Push-Pull Receptacle
 844-003 and 844-004 - Shell Style 00 Dimensions



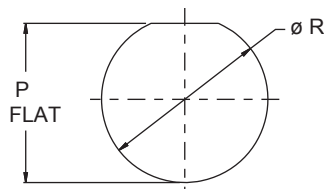
Front panel mount receptacle - shell style 00



Accessory Thread
 841-004-00

Integral Band Platform
 841-003-00

Dimensions														
Shell Size	$\varnothing A$		$\varnothing B$		$\varnothing C$		D Flat		E Thread	T Thread	P Flat		$\varnothing R$	
	in	mm	in	mm	in	mm	in	mm			in	mm	in	mm
5	.246	6.25	0.830	21.08	0.625	15.88	0.470	11.94	.5000-32 UN-2A	.5000-32 UNEF-2A	.482 .478	12.24 12.14	0.510	12.95
6	.286	7.26	0.885	22.48	0.688	17.48	0.530	13.46	.5625-28 UN-2A	.3125-32 UNEF-2A	.542 .538	13.77 13.67	0.575	14.61
7	.390	9.91	0.995	25.27	0.812	20.62	0.663	16.84	.6875-28 UN-2A	.4375-28 UNEF-2A	.676 .671	17.17 17.04	0.698	17.73
8	.442	11.23	0.995	25.27	0.812	20.62	0.663	16.84	.6875-28 UN-2A	.5000-28 UNEF-2A	.676 .671	17.17 17.04	0.698	17.73
9	.500	12.70	1.075	27.31	0.875	22.23	0.720	18.29	.7500-28 UN-2A	.5625-24 UNEF-2A	.732 .728	18.59 18.49	0.760	19.30
10	.564	14.33	1.140	28.96	0.938	23.83	0.788	20.02	.8125-28 UN-2A	.6250-24 UNEF-2A	.801 .796	20.35 20.22	0.822	20.88
11	.608	15.44	1.190	30.23	1.000	25.40	0.843	21.41	.8750-28 UN-2A	.6875-24 UNEF-2A	.855 .851	21.72 21.62	0.885	22.48



RECOMMENDED PANEL CUTOUT FOR
 FRONT MOUNT JAM NUT RECEPTACLE

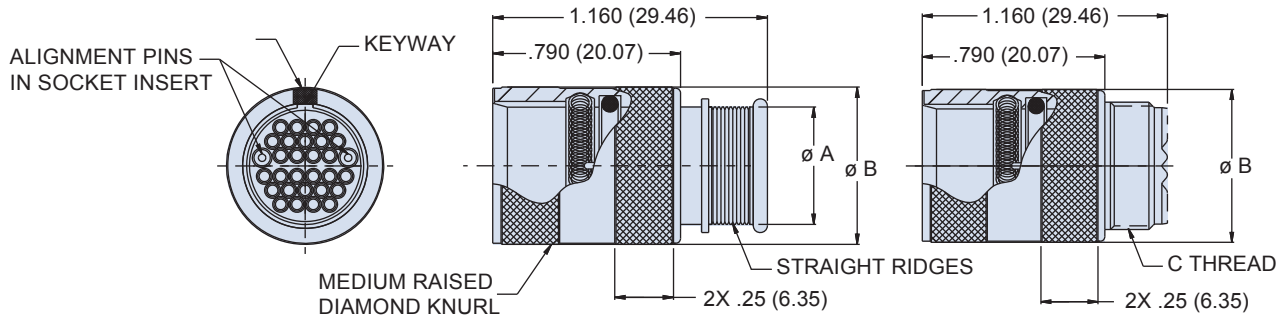
Dimensions in Inches (millimeters) are subject to change without notice.



Series 844 Stinger™ Mighty Mouse Push-Pull Receptacle

844-003 and 844-004 - Shell Style 01 Dimensions

Inline cable receptacle - shell style 01



Integral Band Platform
844-003-01

Accessory Thread
841-004-01

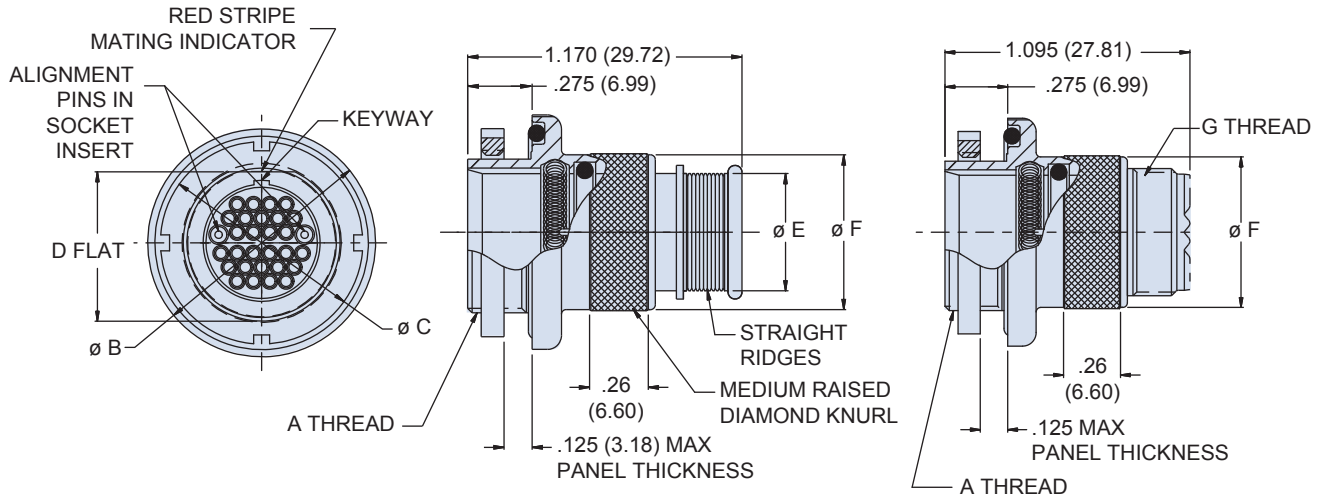
Dimensions					
Shell Size	Ø A		Ø B		C Thread
	in	mm	in	mm	
5	.246	6.25	0.450	11.43	.5000-32 UNEF-2A
6	.286	7.26	0.480	12.19	.3125-32 UNEF-2A
7	.390	9.91	0.580	14.73	.4375-28 UNEF-2A
8	.442	11.23	0.603	15.32	.5000-28 UNEF-2A
9	.500	12.70	0.695	17.65	.5625-24 UNEF-2A
10	.564	14.33	0.735	18.67	.6250-24 UNEF-2A
11	.608	15.44	0.810	20.57	.6875-24 UNEF-2A

Dimensions in Inches (millimeters) are subject to change without notice.

**Series 844 Stinger™ Mighty Mouse
Push-Pull Receptacle**
844-003 and 844-004 - Shell Style 07 Dimensions



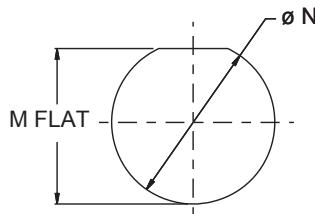
Rear panel mount receptacle - shell style 07



Integral Band Platform
844-003-07

Accessory Thread
841-004-07

Shell Size	A Thread	Dimensions										G Thread	M Flat		Ø N	
		Ø B		Ø C		D-Flat		Ø E		Ø F			in	mm	in	mm
		in	mm	in	mm	in	mm	in	mm	in	mm					
5	.4375-32 UN-2A	0.790	20.07	0.562	14.27	0.415	10.54	.246	6.25	0.450	11.43	.5000-32 UNEF-2A	.427 .423	10.85 10.74	0.448	11.38
6	.5000-32 UN-2A	0.830	21.08	0.625	15.88	0.467	11.86	.286	7.26	0.480	12.19	.3125-32 UNEF-2A	.479 .475	12.17 12.07	0.510	12.95
7	.6250-28 UN-2A	0.900	22.86	0.750	19.05	0.594	15.09	.390	9.91	0.580	14.73	.4375-28 UNEF-2A	.606 .602	15.39 15.29	0.635	16.13
8	.6250-28 UN-2A	0.955	24.26	0.750	19.05	0.594	15.09	.442	11.23	0.603	15.32	.5000-28 UNEF-2A	.606 .602	15.39 15.29	0.635	16.13
9	.6875-28 UN-2A	1.000	25.40	0.812	20.62	0.655	16.64	.500	12.70	0.695	17.65	.5625-24 UNEF-2A	.667 .663	16.94 16.84	0.695	17.65
10	.7500-28 UN-2A	1.085	27.56	0.875	22.23	0.721	18.31	.564	14.33	0.735	18.67	.6250-24 UNEF-2A	.734 .729	18.64 18.52	0.760	19.30
11	.8125-28 UN-2A	1.135	28.83	0.938	23.83	0.788	20.02	.608	15.44	0.810	20.57	.6875-24 UNEF-2A	.801 .796	20.35 20.22	0.822	20.88



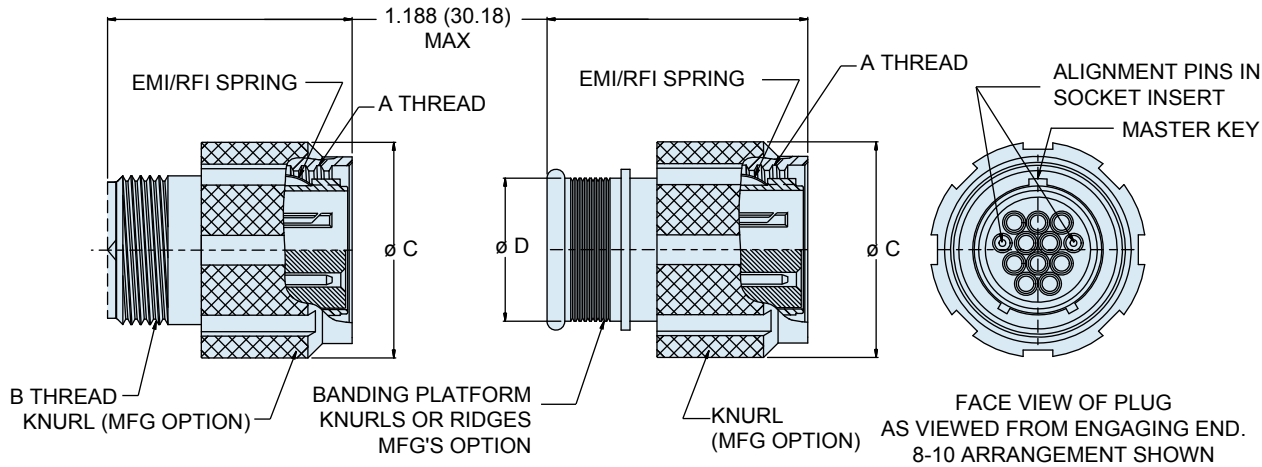
RECOMMENDED PANEL CUTOUT FOR
REAR MOUNT JAM NUT RECEPTACLE

Dimensions in Inches (millimeters) are subject to change without notice.

**Series 845 Stinger™ Mighty Mouse
Triple-Start ACME Thread Plug
845-001 and 845-002 - Shell Style 16 Dimensions**



In-Line plug - shell style 16



Accessory Thread
845-002-16

Integral Band Platform
845-001-16

Table I						
Shell Size	A Thread	B Thread	Ø C		Ø D	
			In	mm	In	mm
8	.5000-.1P-.3L-TS-2B	.3750-32 UNEF-2A	0.692	17.58	.316	8.03
9	.5625-.1P-.3L-TS-2B	.4375-28 UNEF-2A	0.789	20.04	.397	10.08
10	.6250-.1P-.3L-TS-2B	.5000-28 UNEF-2A	0.827	21.01	.472	11.99
11	.6875-.1P-.3L-TS-2B	.5625-24 UNEF-2A	0.918	23.32	.519	13.18
12	.7500-.1P-.3L-TS-2B	.6250-24 UNEF-2A	0.984	24.99	.585	14.86
13	.8125-.1P-.3L-TS-2B	.6875-24 UNEF-2A	1.047	26.59	.646	16.41

Dimensions in Inches (millimeters) are subject to change without notice.





Series 845 Stinger™ Mighty Mouse Triple-Start ACME Thread Receptacle

845-003 and 845-004 Ordering Information



Series 845 Mighty Mouse Receptacle with Stinger™ Contacts. Durable, low insertion force front release size #28 contacts feature integrated retention clips and O-ring sealing for optimized performance. Series 845 shells feature a Triple-start stub ACME mating thread for improved protection against cross-mating and thread damage. Connector shells are machined aluminum or stainless steel. Available in shell sizes 8 through 13 with 6 contact arrangements. All arrangements include a minimum of two guide pins.

M

How To Order

Sample Part Number	845-004	-07	M	8-10	P	A
Series (See Table I)	845-003 = Plug with Integral Banding Porch 845-004 = Plug with Accessory Thread					
Shell Style (See Table II)	-01 = In-line -02 = Square Flange Front or Rear Mount -12 = Square Flange Rear Mount Non-Locking Clinch Nuts -22 = Square Flange Rear Mount Locking Clinch Nuts -07 = Jam Nut for Rear Panel Mounting					
Shell Material and Finish	C = Aluminum/Black Anodize (Non-Conductive); RoHS Compliant M = Aluminum/Electroless Nickel; RoHS Compliant MT = Aluminum/Nickel-PTFE RoHS Compliant NF = Aluminum/Cadmium with Olive Drab Chromate ZN = Aluminum/Zinc-Nickel with Olive Drab Chromate ZNU = Aluminum/Zinc-Nickel with Black Chromate Z1 = Stainless Steel/Passivated; RoHS Compliant ZB = Stainless Steel/Olive Drab Chromate over Cadmium ZC = Stainless Steel/Zinc Cobalt Alloy/Black Chromate					
Shell Size - Insert Arrangement	8-10, 9-20, 10-28, 11-40, 12-58, 13-71					
Contact Type	P = Pin with O-ring S = Socket with O-ring					
Shell Key Positions (See Table II)	A = Normal B = Pos. B C = Pos. C D = Pos. D E = Pos. F F = Pos. F					

Table I: Series

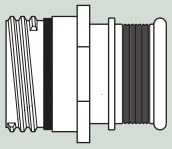
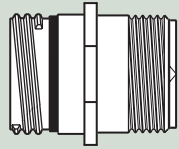
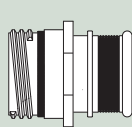
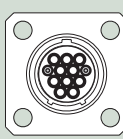
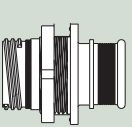
	
845-003 Receptacle with Banding Platform	845-004 Receptacle with Accessory Thread

Table II: Shell Style

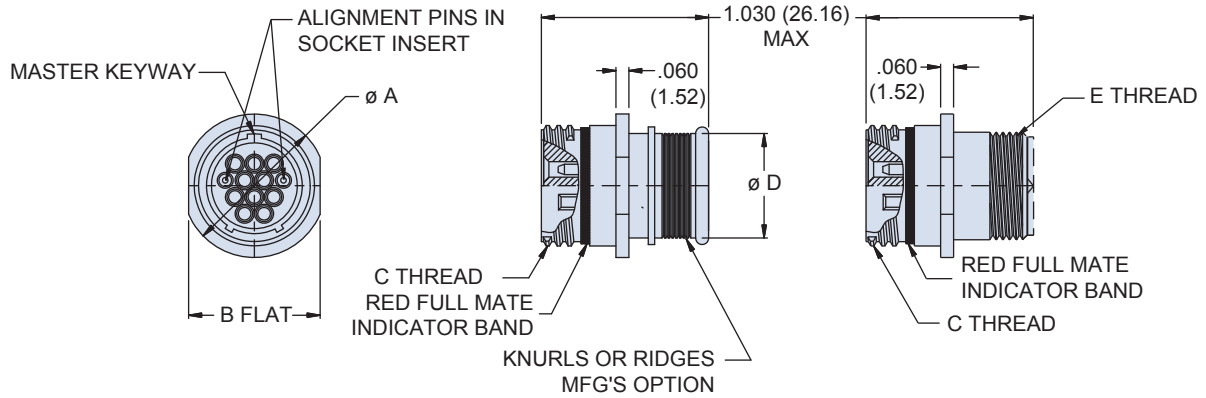
		
-01 Receptacle with Banding Platform	-02, -12, -22 Square Flange	-07 Jam Nut

Dimensions in Inches (millimeters) are subject to change without notice.

Series 845 Stinger™ Mighty Mouse
Triple-Start ACME Thread Receptacle
845-003 and 845-004 - Shell Style 01 Dimensions



In-line receptacle - shell style 01



Integral Band Platform
845-003-01

Accessory Thread
845-004-01

Dimensions								
Shell Size	Ø A		B Flat		C Thread	Ø D		E Thread
	In	mm	In	mm		In	mm	
8	0.540	13.72	0.510	12.95	.5000-1P-3L-TS-2A	.316	8.03	.3750-32 UNEF-2A
9	0.605	15.37	0.575	14.61	.5625-1P-3L-TS-2A	.397	10.08	.4375-28 UNEF-2A
10	0.668	16.97	0.638	16.21	.6250-1P-3L-TS-2A	.472	11.99	.5000-28 UNEF-2A
11	0.730	18.54	0.700	17.78	.6875-1P-3L-TS-2A	.519	13.18	.5625-24 UNEF-2A
12	0.793	20.14	0.763	19.38	.7500-1P-3L-TS-2A	.585	14.86	.6250-24 UNEF-2A
13	0.855	21.72	0.825	20.96	.8125-1P-3L-TS-2A	.646	16.41	.6875-24 UNEF-2A

Dimensions in Inches (millimeters) are subject to change without notice.

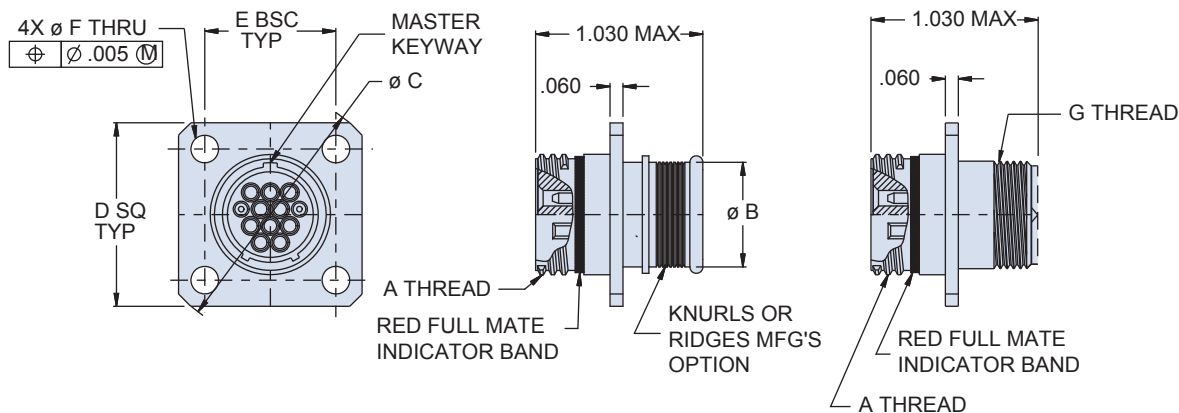




Series 845 Stinger™ Mighty Mouse Triple-Start ACME Thread Receptacle

845-003 and 845-004 - Shell Style 02 Dimensions

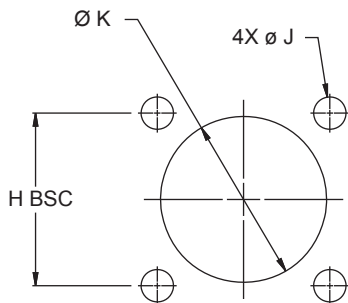
Square flange receptacle for front or rear panel mounting - shell style 02



Integral Band Platform
845-003-02

Accessory Thread
845-004-02

Dimensions												
Shell Size	A Thread	\varnothing B		\varnothing C		\varnothing D Sq		E BSC		F Holes		G Thread
		In	mm	In	mm	In	mm	In	mm	In	mm	
8	.5000-1P-3L-TS-2A	.316	8.03	1.150	29.21	0.850	21.59	0.660	16.76	.096 2.43 .091 2.31		.3750-32 UNEF-2A
9	.5625-1P-3L-TS-2A	.397	10.08	1.230	31.24	0.913	23.19	0.723	18.36			.4375-28 UNEF-2A
10	.6250-1P-3L-TS-2A	.472	11.99	1.330	33.78	0.975	24.77	0.785	19.94			.5000-28 UNEF-2A
11	.6875-1P-3L-TS-2A	.519	13.18	1.410	35.81	1.039	26.39	0.848	21.54			.5625-24 UNEF-2A
12	.7500-1P-3L-TS-2A	.585	14.86	1.500	38.10	1.099	27.91	0.909	23.09			.6250-24 UNEF-2A
13	.8125-1P-3L-TS-2A	.646	16.41	1.590	40.39	1.163	29.54	0.973	24.71			.6875-24 UNEF-2A



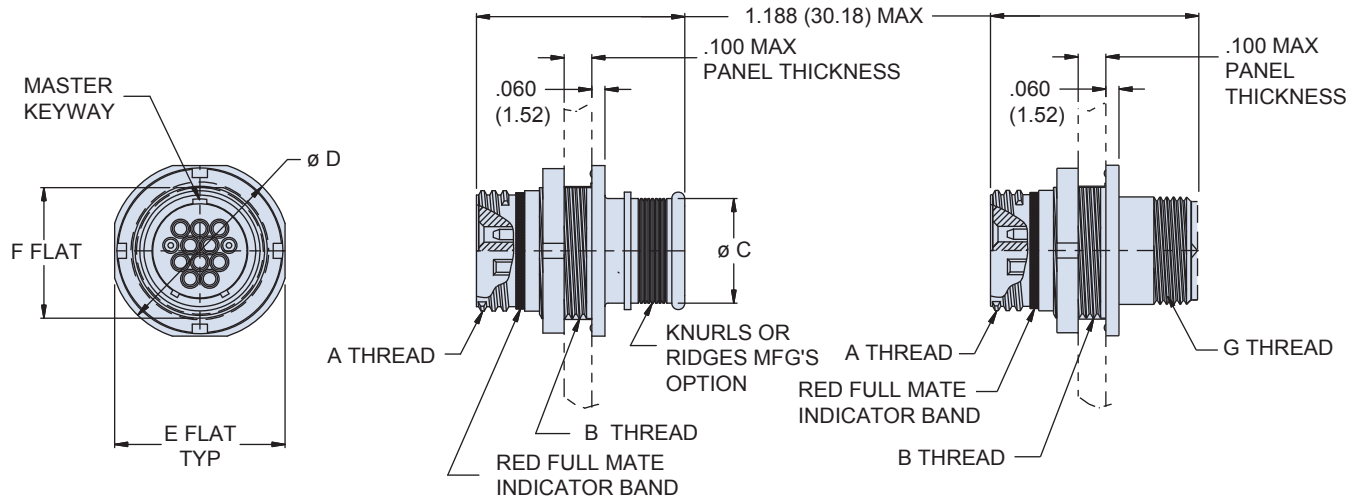
Shell Size	H Bsc		\varnothing J		\varnothing K	
	In	mm	In	mm	In	mm
8	.660	16.76	.096 .091	2.44 2.31	.515	13.08
9	.723	18.36			.578	14.68
10	.785	19.94			.640	16.26
11	.848	21.54			.703	17.86
12	.909	23.09			.765	19.43
13	.973	24.71			.828	21.03

Dimensions in Inches (millimeters) are subject to change without notice.

Series 845 Stinger™ Mighty Mouse
Triple-Start ACME Thread Receptacle
845-003 and 845-004 - Shell Style 07 Dimensions



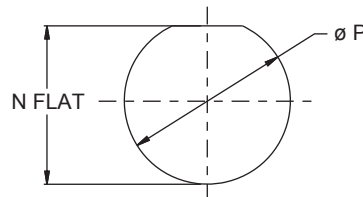
Jam nut receptacle for rear panel mounting - shell style 07



Integral Band Platform
845-003-07

Accessory Thread
845-004-07

Dimensions											
Shell Size	A Thread	B Thread	ϕC		ϕD		E Flat		F Flat		G Thread
			in	mm	in	mm	in	mm	in	mm	
8	.5000-1P-3L-TS-2A	.5625-28 UNEF-2A	.316	8.03	0.760	19.30	0.730	18.54	0.535	13.59	.3750-32 UNEF-2A
9	.5625-1P-3L-TS-2A	.6875-28 UN-2A	.397	10.08	0.880	22.35	0.850	21.59	0.661	16.79	.4375-28 UNEF-2A
10	.6250-1P-3L-TS-2A	.6875-28 UN-2A	.472	11.99	0.880	22.35	0.850	21.59	0.661	16.79	.5000-28 UNEF-2A
11	.6875-1P-3L-TS-2A	.7500-28 UN-2A	.519	13.18	0.955	24.26	0.925	23.50	0.721	18.31	.5625-24 UNEF-2A
12	.7500-1P-3L-TS-2A	.8125-28 UN-2A	.585	14.86	1.060	26.92	1.035	26.29	0.784	19.91	.6250-24 UNEF-2A
13	.8125-1P-3L-TS-2A	.8750-28 UN-2A	.646	16.41	1.120	28.45	1.090	27.69	0.843	21.41	.6875-24 UNEF-2A



Panel Cut Out Dimensions				
Shell Size	ϕN		ϕP	
	In	mm	In	mm
8	.547	13.89	.575	14.61
	.543	13.79	.571	14.50
9	.673	17.09	.700	17.78
	.669	16.99	.696	17.68
10	.673	17.09	.700	17.78
	.669	16.99	.696	17.68
11	.733	18.62	.762	19.35
	.729	18.52	.758	19.25
12	.796	20.22	.825	20.96
	.792	20.12	.821	20.85
13	.853	21.67	.887	22.53
	.849	21.56	.883	22.43

Dimensions in Inches (millimeters) are subject to change without notice.

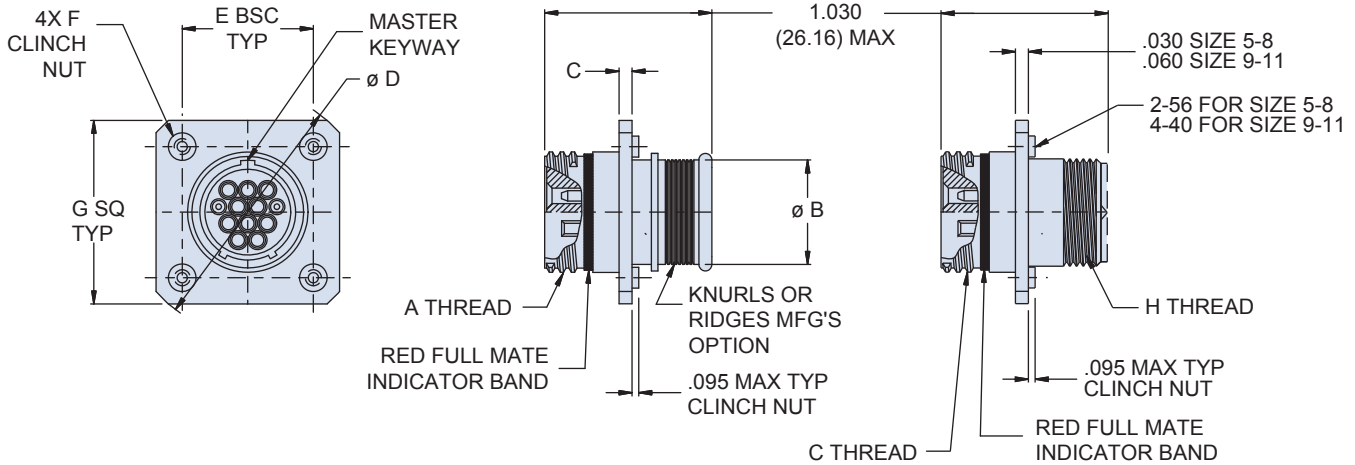




Series 845 Mighty Mouse Stinger™ Triple-Start ACME Thread Receptacle

845-003 and 845-004 Shell Style 12/22 Ordering Information

Square flange receptacle for front or rear panel mounting - shell style 12 or 22

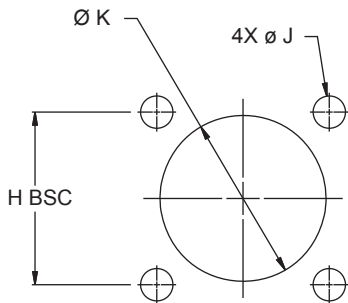


Integral Band Platform
845-003-12/22

Accessory Thread
845-004-12/22

Dimensions

Shell Size	A Thread	Ø B		C	Ø D		E BSC		F Clinch	G SQ		H Thread
		in	mm				in	mm		in	mm	
8	.5000-1P-3L-TS-2A	.316	8.03	.030 (.76)	1.194	0.660	16.76	2-56	0.920		.3750-32 UNEF-2A	
9	.5625-1P-3L-TS-2A	.397	10.08		1.283	0.723	18.36		0.983	.4375-28 UNEF-2A		
10	.6250-1P-3L-TS-2A	.472	11.99		1.371	0.785	19.94		1.045	.5000-28 UNEF-2A		
11	.6875-1P-3L-TS-2A	.519	13.18		1.460	0.848	21.54		1.104	.5625-24 UNEF-2A		
12	.7500-1P-3L-TS-2A	.585	14.86		1.546	0.909	23.09		1.169	.6250-24 UNEF-2A		
13	.8125-1P-3L-TS-2A	.646	16.41		1.637	0.973	24.71		1.233	.6875-24 UNEF-2A		



Panel Cut Out Dimensions

Shell Size	H Bsc		Ø J		Ø K	
	In	mm	In	mm	In	mm
8	.660	16.76	.096 .091	2.44 2.31	.515	13.08
9	.723	18.36			.578	14.68
10	.785	19.94			.640	16.26
11	.848	21.54			.703	17.86
12	.909	23.09			.765	19.43
13	.973	24.71			.828	21.03

Dimensions in Inches (millimeters) are subject to change without notice.

Series 84 Mighty Mouse Stinger™ Contact Termination and Removal Tools



Termination tools for size #28 contacts



These crimp tools perform precision eight indent crimps for gas-tight wire terminations and excellent tensile strength. Adjustment wheel has 8 settings. Ratchet mechanism prevents improper crimps. Use with bayonet-type positioners. Check calibration with M22520/3 gages. Length is 6.75 inches, weight is approx. 10 oz.

A Standard M22520/2-01 crimper. Use with size #28 Stinger™ Mighty Mouse contacts. Requires positioner, ordered separately.

B Positioner. Use with **A** crimper, ordered separately. Positioner holds contact at proper depth. Contact to remain in protective sleeve during crimping.




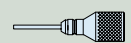


Figure	Part Number	Military Part Number	Daniels Part Number
A	809-015	M22520/2-01	AFM8
B	859-077	(none)	K267-4

M

Stinger™ Contact tools



Tooling for Size #28 Contact System		
Tool	Glenair part Number	Reference view
Insertion Tool	859-078-000	 (shown less protective cover)
Extraction Tool With Protective Cover	859-079-000	 (shown less protective cover)
Extraction Tool Protective Cover Only (Spare/Extra)	859-079-001	
Extraction Tool Replaceable Tip (Spare/ Extra)	859-079-002	

Notes:

1. All tools are the same for both pin and socket contacts
2. Insertion tool is recommended for contact with O-ring seal, contacts without O-ring seal are insertable by hand, without tool
3. Insertion tool is designed for wire diameter of .035 inches maximum

Dimensions in Inches (millimeters) are subject to change without notice.

HIGH SPEED, HIGH BANDWIDTH PERFORMANCE

for Military Grade Connectors and Cables

In response to requests for ruggedized, shielded connectors and cables to replace unshielded systems for high-speed serial data, Glenair developed its Mighty Mouse line of high speed serial data cordsets. Available for 100BASE-T, 1000BASE-T Gigabit Ethernet, IEE 1394, USB 2.0 and CAN Bus applications, these cordsets combined aerospace-grade data cables

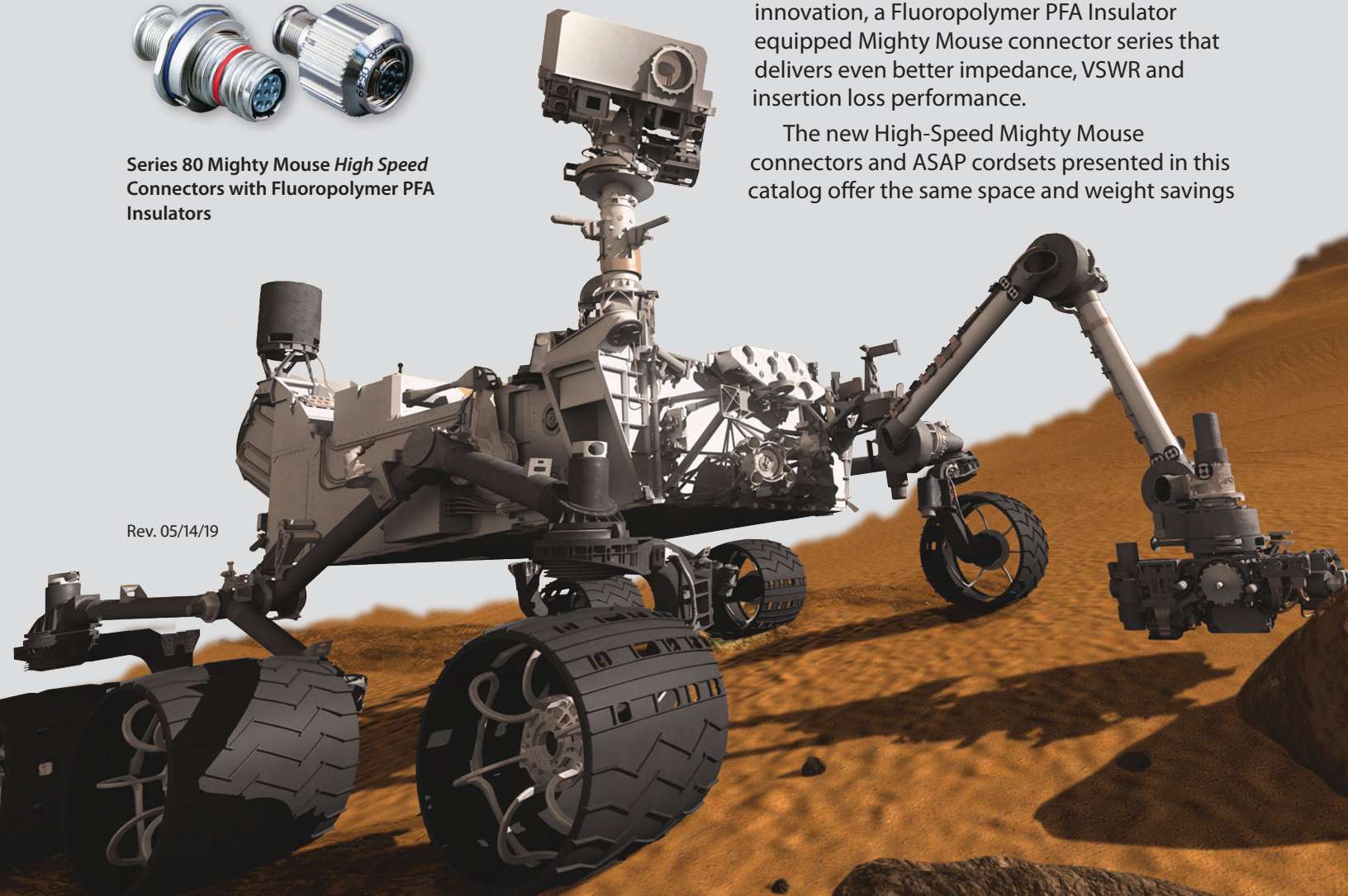


Series 80 Mighty Mouse *High Speed*
Connectors with Fluoropolymer PFA
Insulators

with Series 80 Mighty Mouse harsh environment connectors for maximum performance and minimum size. These cables, which used our standard Series 80 Mighty Mouse connectors with High grade rigid dielectric insulators, have been successfully used in hundreds of Ethernet and other high speed data protocol applications. Now Glenair is proud to introduce our latest High-Speed Mighty Mouse innovation, a Fluoropolymer PFA Insulator equipped Mighty Mouse connector series that delivers even better impedance, VSWR and insertion loss performance.

The new High-Speed Mighty Mouse connectors and ASAP cordsets presented in this catalog offer the same space and weight savings

Rev. 05/14/19





Introduction to *High-Speed, Balanced Impedance* Connectors and Cables for Differential Data Bus Applications

as our original High grade rigid dielectric versions with superior performance in 2, 3, and 4 pair differential cable applications.

High-Speed Data Protocols

Ethernet

Avionic and other military vehicle data transfer systems are growing increasingly complicated—the number of data paths, data rates and the quantity and sophistication of subsystems continue to escalate. In addition to transmission speed, accuracy and reliability are tremendously important. Ethernet communication technology, with its huge installed base and history of reliability, is ideally suited for military vehicles and other field applications. Although there are many MIL-STD-1553 bus architecture and data link systems in use, applications such as tactical radar require faster data rates than older architectures can deliver.

Basic Ethernet protocol is referred to as “CSMA/DC” (Carrier Sense, Multiple Access and Collision Detection). To define some terms: “Carrier Sense,” the hosts can detect whether the medium is idle or busy; “Multiple Access,” multiple hosts are connected to the common medium; and “Collision Detection,” when a host transmits, the protocols can determine whether its transmission has collided with the transmission of another host. If two or more information packets are sent simultaneously, a collision occurs and neither transmission is successful—collision detection instructs the system to retransmit the colliding packets. Legacy Ethernet is half-duplex, meaning information can move in only one direction at a time, and is less-than-ideal for many avionic applications, as fastest-possible communication is not guaranteed. The collision problem occurs in any bus-oriented architecture, such as MIL-STD-1553.

Full-duplex, switched Ethernet eliminates the collision problem by employing links that are point-to-point (not a bus) with a separate twisted pair for transmission and reception. Full-duplex also has the ability to send and receive data at the same time by employing a network of Ethernet switches able to forward incoming packets to their appropriate destinations. Gigabit Ethernet transfers data on four pairs of wires instead of only two pairs under legacy Ethernet forms. Further, transmission coding is enhanced for Gigabit Ethernet so that the standard

clock rate of 125 MHz that produces 100 mbps data transfer rates in so-called “Fast Ethernet” is supercharged to 1,000 mbps. Gigabit Ethernet can fit an order of magnitude more data into the same cable than can Fast Ethernet, but employs the same transmission schemes and frame format as the earlier Ethernet versions.

IEEE 1394

In the early 1990s, Apple Computer and Texas Instruments worked with the Institute of Electrical and Electronics Engineers (IEEE) to establish a very fast serial bus interface standard that supports data transfer rates of up to 400 mbps (in 1394a) and 800 mbps (in 1394b). Products supporting the 1394 standard go under different names, depending on the company. Apple uses the name FireWire, Texas Instrument uses Lynx and Sony uses i.link to describe their 1394 products. A single 1394 port can be used to connect up to 63 external devices. In addition to its high speed, 1394 also supports isochronous data, delivering data at a guaranteed rate. This isochronous feature makes it ideal for devices that need to transfer high levels of data in real-time, such as video and audio applications. 1394 makes full use of all SCSI (Small Computer System Interface, a parallel interface standard used for attaching peripheral devices to computers).

MIL-STD-1553

MIL-STD-1553 defines all aspects of the serial digital multiplex data bus for military vehicles. Multiplexing combines two or more information channels on to a common transmission medium. When compared to older analog point-to-point wire bundles, multiplexing allows for weight reduction, simplicity of system design, standardization and flexibility. The 1553 data bus provides integrated, centralized system control and a standard interface for all interconnected equipment. Devices connect using twisted, shielded pairs of wires to maintain message integrity. All devices in the system are connected to a redundant pair of buses to provide a second path of traffic should one of the buses become damaged. Data rates of 1 megabit per second (mbps) are standard under MIL-STD-1553. MIL-STD-1773 contains the requirements for fiber optic cabling systems as a 1553 bus transmission medium.

High-Performance, High-Speed Differential Technologies Available Now From Glenair



High Speed Series 80 Mighty Mouse Connectors with Fluoropolymer PFA Insulators

The Series 80 *High Speed* Mighty Mouse is Glenair's latest entry in our world of *high-speed* interconnect solutions. The connector is equipped with special PFA (Fluoropolymer) insulators and is optimized for use with high-speed differential wire such as our 963-001 series cable. Five insert arrangements are offered with 4, 7, 10, 19 and 26 size #23 contacts. The high-density, small form factor connector is suited for applications where traditional military circular connectors are too large or too heavy, and where the demands for high bandwidth, balanced impedance performance are at their highest. Other Glenair *High Speed* Solutions include:

High-Bandwidth Fiber Optic Connectors, Cables, and Termini

From our QPL MIL-PRF-28876 fiber optic connectors to our MIL-DTL-38999 type solutions, Glenair produces advanced performance fiber optic interconnection systems for every military and commercial standard. Fiber optic connectors, termini and cabling deliver secure high speed data in applications that require superior insertion loss and high data throughput. Fiber optic interconnect systems offer exponentially larger bandwidth compared to standard electrical cabling. Glenair manufactures a solution for every branch of the military and every mission-critical commercial application. Series #16 AWG Mighty Mouse fiber optic solutions are also now available.



N



High-Performance Shielded Contact Connectors

High-speed differential impedance contacts, such as those used in advanced digital communications applications, are another key specialty at Glenair. Our Twinax and Quadrax contacts are exactly engineered and manufactured using the best available materials and manufacturing processes. Conductive elements are gold-plated copper alloy. Dielectrics are high performance fluorocarbon. Most Glenair cylindrical connectors, including our D38999 type, can accommodate shielded contacts that deliver balanced impedance performance for application frequencies above 1GHz.

Field-Ready, Integrated RJ-45 and USB Connectors






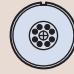
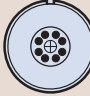





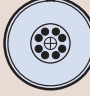






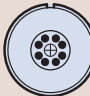




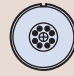







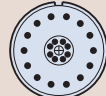
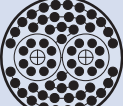
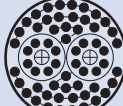

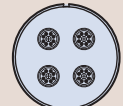



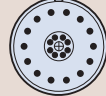




Glenair integrates commercial connection devices that traditionally deliver datalinks for high-speed protocols into standard MS type connector shells. We offer rugged field-ready circular connectors that enclose single and double RJ-45 or USB connectors. Users of these standard products need not worry about damaging delicate high bandwidth connections in harsh conditions when these connectors are deployed in place of standard, non-protected solutions. The MIL-DTL-5015 or MIL-DTL-26482 type connector shells provide impact resistance, ingress protection and positive coupling.



Dimensions in Inches (millimeters) are subject to change without notice.



Glenair connector and contact arrangements suitable for high-speed datalink applications

Protocol	Series 80 Mighty Mouse				SuperNine® 38999 Type			Series
	Series 801	Series 802, 803 and 804	Series 805	Series 806	MIL-STD-1560	El Ochito® / Quadrax	SpeedMaster™	Stand Insert
Up to: Cat 5e (1000BASE-T)	 8-13	 8-13	 10-13	 9-11	 11-35	 9G5 El Ochito - White	 11-1	 C-13
Up To: Cat 6A (10GBASE-T)	 8-1 El Ochito - White	Contact factory	 10-1 El Ochito - White	 10-1 El Ochito - White	Contact factory	 9G5 El Ochito - White	 11-1	Contact factory
USB 2.0	 6-4	 6-4	 8-4	 8-7	 9-35	 9G5 Quadrax	 11-1 (1 – 2 lines)	 A-5
USB 3.0	 8-1 El Ochito - Blue	N/A	 10-1 El Ochito - Blue	 10-1 El Ochito - Blue	N/A	 9G5 El Ochito - Blue	N/A	N/A
eSATA/SATA	 8-1 El Ochito - Red	N/A	 10-1 El Ochito - Red	 10-1 El Ochito - Red	N/A	 9G5 El Ochito - Red	N/A	N/A
DVI-D Single	 11-201 El Ochito - Red	AN/A	 13-201 El Ochito - Red	 14-20A El Ochito - Red	N/A	 13-14 El Ochito - Red	N/A	N/A
DVI-D Dual	 19-201 El Ochito - Red (2)	N/A	 21-201 El Ochito - Red (2)	 16-22 El Ochito - Red (2)	N/A	 19-4 El Ochito - Red (2)	N/A	N/A
HDMI 4k @60 FPS	 11-201 El Ochito - Red	N/A	 13-201 El Ochito - Red	 14-20A El Ochito - Red	N/A	 13-14 El Ochito - Red	N/A	N/A
Display Port 4k @60 FPS	 11-201 El Ochito - Red	N/A	 13-201 El Ochito - Red	 14-20A El Ochito - Red	N/A	 13-14 El Ochito - Red	N/A	N/A

Contact factory about El Ochito® insert arrangements

Glenair connector and contact arrangements suitable for high-speed datalink applications

79™	Series 792™ HS	MIL-DTL-83513		Series 88 SuperFly®		Series 28 HiPer-D®		
ard ts	El Ochito®/ Quadrax	Standard Inserts	High-Speed Micro-D	Standard Inserts	SuperFly® Datalink	Standard Inserts	El Ochito®/ Quadrax	SpeedMaster™
	 1P1 El Ochito - White	 15	 15	 C-10N	 882-001/002 El Ochito - White	 1H15	 1EA El Ochito - White	 2 (1 – 2 lines)
	 1P1 El Ochito - White	Contact factory	 15	Contact factory	 882-001/002 El Ochito - White	Contact factory	 1EA El Ochito - White	 2 (1 – 2 lines)
	 1P1 Quadrax	 9	 9	 C-2M2N or D2W2MN	 882-001/002 El Ochito - White (1 – 2 lines)	 1S9 (1 – 2 lines)	 1Q1 Quadrax (1 – 2 lines)	 2 (2 – 4 lines)
	 1P1 El Ochito - Blue	N/A	 15	N/A	 882-009/010 El Ochito - Blue	N/A	 1EB El Ochito - Blue	N/A
	 1P1 El Ochito - Red	N/A	 9	N/A	 882-023/024 El Ochito - Red	N/A	 1EC El Ochito - Red	N/A
	 2P2 El Ochito Red and White	N/A	 21	N/A	 882-019/020 El Ochito - Red	N/A	 2EC El Ochito - Red	N/A
	 3P3 El Ochito 2-Red, 1-White	N/A	 25	N/A	Contact factory	N/A	 3EF 2 El Ochito - Red 1 El Ochito - White	N/A
	 2P2 El Ochito Red and White	N/A	 21	N/A	 882-019/020 El Ochito - Red	N/A	 2EF El Ochito - Red	N/A
	 2P2 El Ochito Red and White	N/A	 21	N/A	 882-019/020 El Ochito - Red	N/A	 2EF El Ochito - Red	N/A

Contact factory about El Ochito® insert arrangements

Mighty Mouse High-Speed connectors: rugged environmental sealing and high-speed matched impedance electrical performance in an ultraminiature package



Glenair Series 80 Mighty Mouse connectors are the new industry standard for high-performance ultraminiature connectors. Now Glenair expands the Mighty Mouse line to include connectors optimized for high-speed matched impedance performance. The Mighty Mouse High-Speed product line features Fluoropolymer insulators for superior electrical performance in protocol-specific applications like eSATA and USB 2.0/3.0.

N

MIGHTY MOUSE HIGH-SPEED



Series 80 Mighty Mouse
High Speed Connectors with
Fluoropolymer PFA Insulators

- For high-speed protocols: 10GBASE-T, USB 2.0
- Fluoropolymer PFA insulators for superior insertion loss and balanced impedance
- Series 801 double-start ACME thread and Series 804 push-pull quick disconnect connectors available
- Discrete components or overmolded cordsets

MIGHTY MOUSE WITH SIZE #8 QUADRAX AND DIFFERENTIAL TWINAX CONTACTS



Series 805 Mighty Mouse plug
with size 8 Quadrax contacts

- Differential Twinax contacts for 100 Ohm serial data transmission
- Quadrax contacts for 100BASE-T Ethernet
- Arrangements for 1, 2, 3, 4 or 5 snap-in, rear-release contacts
- Lightweight, low profile
- Available for Series 801 and 805 Mighty Mouse connectors

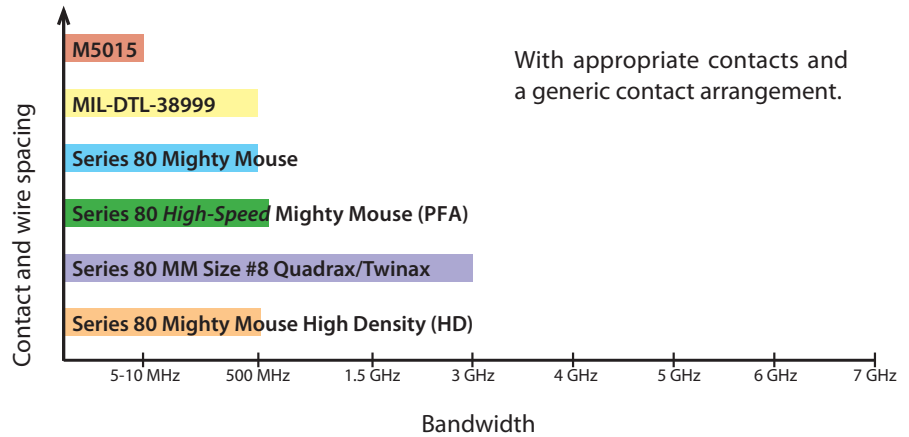
Dimensions in Inches (millimeters) are subject to change without notice.

Series 80 High Speed Mighty Mouse Connectors and Cables

Product Overview



This table compares contact and wire spacing and bandwidth performance in miniaturized interconnect applications. As contact density increases, the performance of the interconnect improves. Note the position of the High-Speed and Size #8 Mighty Mouse compared to standard Mighty Mouse.

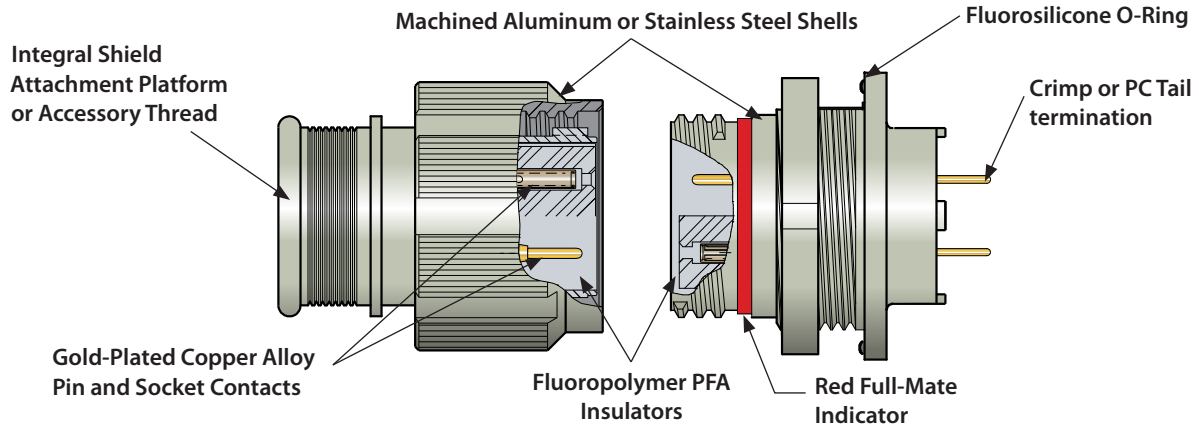


Mighty Mouse High Speed Contact Arrangements				
Mating Face View of Pin Connector (Socket Connector Numbers are Reversed)				
6 - 4	6 - 7	7 - 10	9 - 19	10 - 26
Shell Size 6 4 Size #23 Contacts	Shell Size 6 7 Size #23 Contacts	Shell Size 7 10 Size #23 Contacts	Shell Size 9 19 Size #23 Contacts	Shell Size 10 26 Size #23 Contacts

Mighty Mouse #8 Quadrax / Differential Twinax Contact Arrangements						
Mating Face						
Series 801	Shell Size 8 1 Size #8 Contact	Shell Size 10 2 Size #8 Contacts	Shell Size 17 3 Size #8 Contacts	Shell Size 19 4 Size #8 Contacts	Shell Size 21 5 Size #8 Contacts	
Series 805	Shell Size 10 1 Size #8 Contact	Shell Size 18 2 Size #8 Contacts	Shell Size 19 3 Size #8 Contacts	Shell Size 21 4 Size #8 Contacts	Shell Size 23 5 Size #8 Contacts	

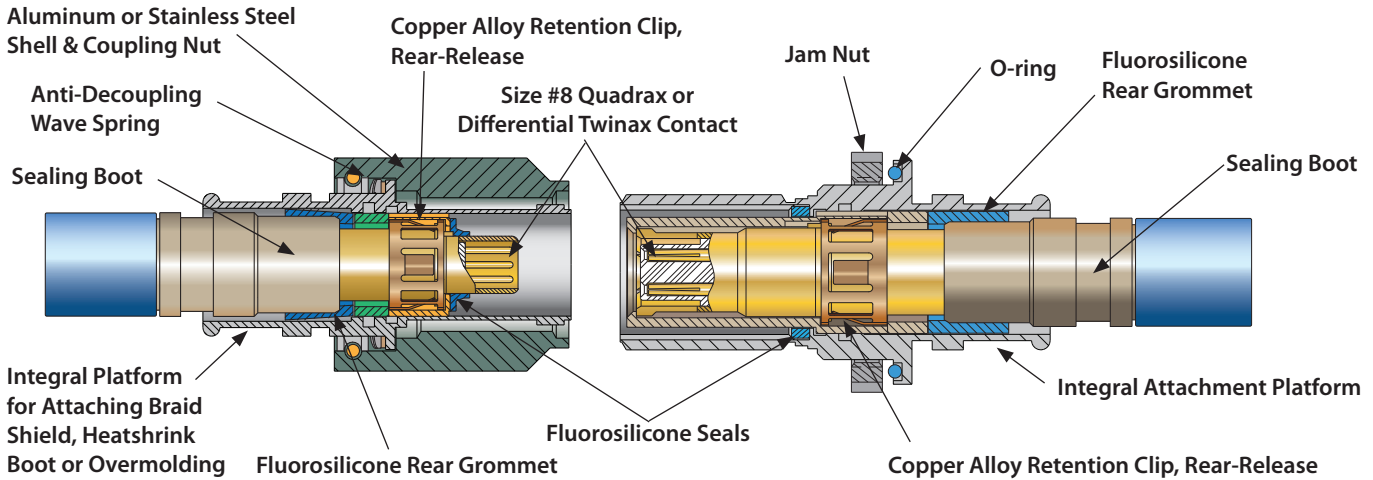
Dimensions in Inches (millimeters) are subject to change without notice.

MIGHTY MOUSE HIGH-SPEED PLUG AND RECEPTACLE CUTAWAY



N

MIGHTY MOUSE WITH SIZE 8 CONTACTS PLUG AND RECEPTACLE CUTAWAY



Dimensions in Inches (millimeters) are subject to change without notice.

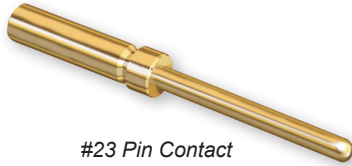
Size #23 Crimp Contacts for Series 80 High-Speed Mighty Mouse Connectors



Series 80 High Speed Mighty Mouse

SIZE #23 CRIMP CONTACTS

Standard size #23 contacts accept #22 to #28 AWG wire. Choose "small bore" versions for #26 to #30 AWG wire. Contacts are bulk packaged. Terminate with standard M22520 crimper with special positioner.

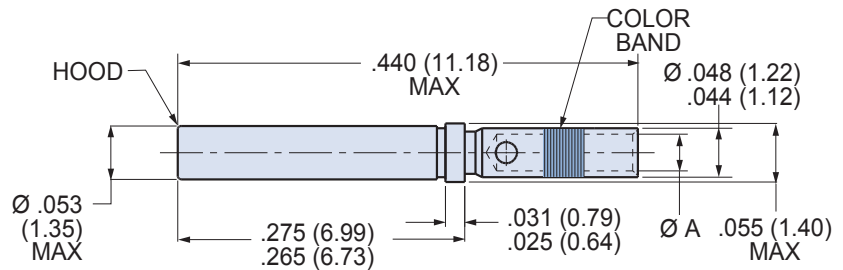
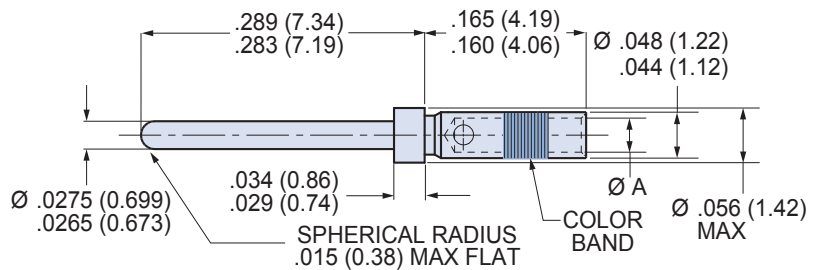


#23 Pin Contact



#23 Socket Contact

Contact Type	Wire Size	Material	Part Number	Ø A		Color Band	Tool Code
				In.	mm.		
Pin	#22 – #28	BeCu	809-001	.0335-.0355	0.851-0.902	None	A, C
Pin	#26 – #30	BeCu	809-042	.0229-.0245	0.582-0.622	Blue	A, D
Socket	#22 – #28	BeCu	809-002	.0335-.0355	0.851-0.902	None	A, C
Socket	#26 – #30	BeCu	809-043	.0229-.0245	0.582-0.622	Blue	A, D



Crimp Tensile Strength		
Values are in pounds and are minimums.		
Wire Gage	Silver or Tin Coated Copper Wire	Nickel Coated Copper Wire
#22	12	8
#24	8	6
#26	5	3
#28	3	2
#30	1.5	1.5

Material and Finish

Beryllium copper alloy per ASTM B196 or B197, 50 microinches gold plated per ASTM B488 Type II Code C Class 1.25 over nickel plate per QQ-N-290 Class 2, 50-100 microinches. Socket contact hood: stainless steel, passivated per AMS-QQ-P-35.

Specifications

Current Rating: 5 Amps maximum
Voltage Drop (at 5 Amps and 25° C): 70 millivolts maximum
Temperature Range: -65° to + 200° C
Socket Contact Minimum Separation Force: 0.5 ounces

Crimp Tools and Insertion/Removal Tools

Crimper: 809-015
Positioner: 809-005 (standard). Use P/N 809-057 for small bore contacts 809-065 and 809-066
Standard Insertion/Removal Tool: 809-088

Dimensions in Inches (millimeters) are subject to change without notice.



Size #23 Crimp Contact Termination, Installation and Removal Instructions for Series 80 High-Speed Mighty Mouse Connectors

HOW TO TERMINATE, INSTALL AND REMOVE SIZE #23 CONTACTS

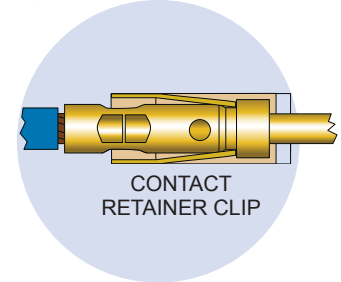
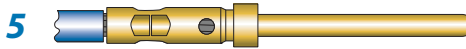
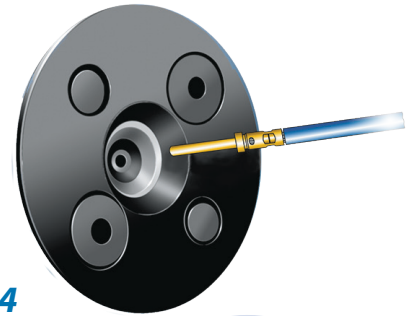
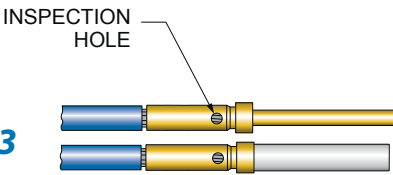
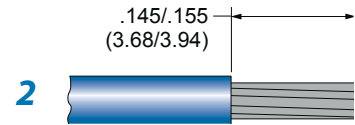
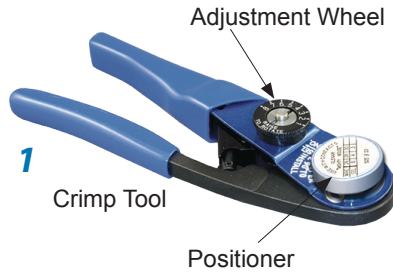
1 Set Up Crimp Tool. Install proper positioner into crimp tool. The label on the positioner shows the proper tool setting for each wire size. Turn the adjustment wheel to the correct setting.

2 Strip Wire. Remove wire insulation, taking care to avoid nicking or cutting wire strands. Strip wire to length shown.

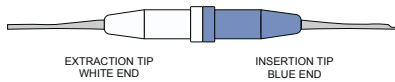
3 Insert wire into contact. The wire should be visible in the inspection hole.

4 Insert contact into crimp tool as shown. Make sure that the contact is fully inserted into the tool. Squeeze handle completely. The ratchet mechanism will not allow a partial crimp. Release handle and remove contact.

5 Inspect crimped contact. Wire should be fully inserted and the crimp should be uniform in appearance.

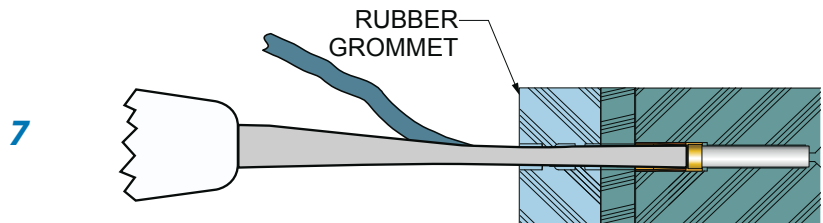
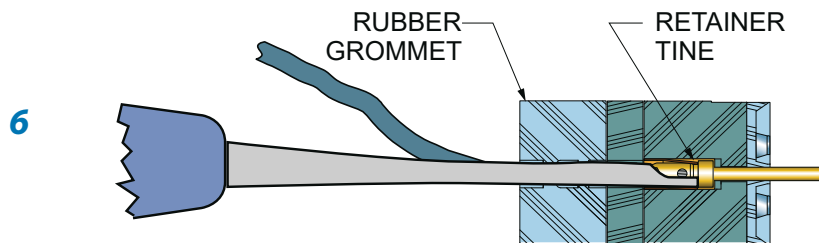


Insertion/Extraction Tool 809-088



6 Install contact into connector. Push the contact through the rear grommet until the contact locks into place. This can usually be done by hand without the need for a tool. If the wire gage is #26 or smaller, a tool is helpful. There are two techniques for installing contacts with a tool. One method is to push the contact in by hand, then use the tool to finish the insertion. The other method is to position the insertion tip against the contact shoulder, then insert the contact. Use insertion/extraction tool 809-088 to install contacts. Slide the wire into the groove on the blue end of the tool. Slide the tool tip up the contact until it touches the contact shoulder. **USE CARE TO AVOID DAMAGING THE CONNECTOR.**

7 Contact Extraction. Use tool 809-088. The white end is used for contact extraction. First, push the wire into the groove of the metal tip. Slide the tip of the tool into the connector. Push the tool into the connector cavity until the tip bottoms in the connector. Avoid wiggling or rocking the tip. This may damage the cavity. A straight push is best. Pinch the wire between your finger and the white plastic grip and slide the tool and contact out of the connector. **Wire insulation diameter greater than 0.045 inches (1.14mm) is too large to work properly with the extraction tool. connector damage is possible.**



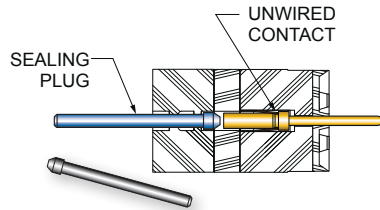
Dimensions in Inches (millimeters) are subject to change without notice.

Size #23 Crimp Contact Sealing Plugs and Tools for Series 80 High-Speed Mighty Mouse Connectors

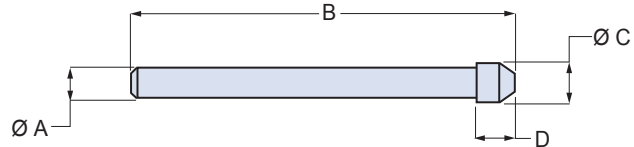


Series 80 High
Speed Mighty
Mouse

GROMMET SEALING PLUGS



Grommet sealing plugs are used to seal unwired contact cavities. The size #23 sealing plug is specially designed to fit Glenair Series 80 grommets. After installing unwired contacts into unused cavities, insert knob end of sealing plug into grommet until it bottoms against the unwired contact per illustration. Install sealing plugs with standard contact insertion/extraction tools. The size #23 plug is polyphenylsulphone.



Size	Color	Part Number	Military Part Number	Insertion/ Removal Tool	A Ref.		B Ref.		C Ref.		D Ref.	
					in.	mm.	in.	mm.	in.	mm.	in.	mm.
#23	Black	809-155	(None)	M81969/14-01	.040	1.02	.51	13.0	.052	1.32	.050	1.27

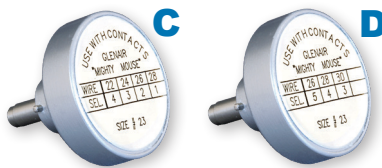
MINIATURE ADJUSTABLE CRIMP TOOLS



Standard M22520/2-01 crimper for use with standard size #23 Mighty Mouse contacts. Crimp tools perform precision eight indent crimps for gas-tight wire terminations and excellent tensile strength. Adjustment wheel has 8 settings. Ratchet mechanism prevents improper crimps. Use with bayonet-type positioners. Check calibration with M22520/3 gages. Length is 6.75 inches, weight is approx. 10 oz.

Part Number	Military Part Number	Daniels Part Number	Tool Code
809-015	M22520/2-01	AFM8	A

POSITIONERS FOR USE WITH MINIATURE ADJUSTABLE CRIMP TOOLS



These bayonet-type positioners hold contacts at correct height for crimping with M22520/2 type miniature step adjustable tools, above. Face plate shows correct tool settings. "C" Positioner is for standard size #23 contacts. #22-#28 AWG. Use with 809-015 crimp tool. "D" Positioner is for small bore size #23 contacts. #26-#30 AWG. Use with 809-015 crimp tool.

Figure	Part Number	Military Part Number	Daniels Part Number	Tool Code
C	809-005	(none)	K1461	C
D	809-057	(none)	(none)	D

CONTACT INSERTION AND REMOVAL TOOL



Insertion/Extraction Tool for #23 Contacts. This tool features molded plastic grips and sturdy stainless steel tips. Blue/White molded handle.

Size	Type	Part Number	Military Part Number	Daniels Part Number
#23	Insertion/Extraction	809-088	(None)	(None)

Dimensions in Inches (millimeters) are subject to change without notice.

Series 801 Mighty Mouse *High-Speed*
Double-Start ACME Thread Connectors
Table of Contents and Introduction



Series 801
High-Speed

PRODUCT SELECTION GUIDE



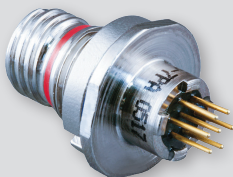
801-036 and 801-039
Plug Connectors

Page P-4



801-037 and 801-040
Crimp Receptacles

Page P-6



801-038
PCB Receptacles

Page P-10



801-046, -077
Series 801 Overmolded Cordsets for Ethernet, USB
Mighty Mouse Back-to-Back and Mighty Mouse - Commercial

Page P-13

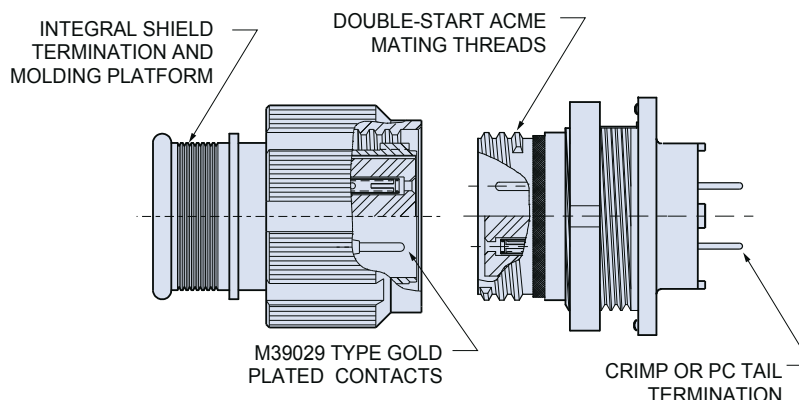
Dimensions in Inches (millimeters) are subject to change without notice.



Series 801 *High-Speed* Mighty Mouse Plug and Receptacle Connectors

The 801 Series *High-Speed* Mighty Mouse is ideal for use in USB 2.0 and other high-speed databus applications. The connector is equipped with special PFA (Fluoropolymer) insulators and is optimized for use with high-speed differential wire such as our 963-001 Series cable. Five insert arrangements are offered with 4, 7, 10, 19 and 26 size #23 contacts. The high-density, small form factor connector is suited for applications where traditional military circular connectors are too large or too heavy. The double-start threads provide full mating in 1½ turns, and the plug features an anti-decoupling spring for vibration resistance. The unique integral molding/band platform allows direct shield attachment and cable overmolding. Receptacles are available with printed circuit board contacts. Plugs have anti-decoupling wave spring, or specify ratchet mechanism for added security.

- Double-Start ACME Thread with anti-decoupling spring or ratchet
- Special Purpose PFA (Fluoropolymer) Insulators
- Crimp Rear Release Contacts
- Integral Band Platform
- Supplied with Size #23 Gold-Plated Copper Alloy Crimp, PCB, or Solder Cup Contacts
- Environmentally Sealed



High-Speed Performance

Series 801 *High-Speed* Mighty Mouse connectors are constructed with a rear grommet for environmental sealing. This grommet can be removed in order to maintain the construction of the matched impedance pair cable for a longer distance inside the connector for improved high-speed performance (see tables below.) However, removal of the grommet affects environmental sealing. For optimal high-speed performance and environmental sealing, Glenair recommends our factory-terminated overmolded cordsets. Full ordering information begins on page P-13.

Factory-terminated overmolded cordsets for optimal high-speed performance and environmental sealing: See page B-12



Dimensions in Inches (millimeters) are subject to change without notice.

Series 801 Mighty Mouse High-Speed Double-Start ACME Thread Connectors

General information



Series 801
High-Speed

Double-Start ACME Threads resist cross-threading and shearing. These aerospace-grade Series 801 plugs feature 1½ turns of the coupling nut to full mating.

Two Shell Styles: Integral platform for direct shield attachment using Band-Master™ ATS advanced termination system, or accessory thread for attaching a strain relief.

Crimp, Rear Release contact system, with #23 contacts.

Printed Circuit Board and Solder Cup versions with precision machined low profile shells.

Harsh Environment: fluorosilicone seals, aluminum or stainless steel shells, and gold-plated copper alloy contacts for superior performance in demanding applications.

High Speed: Special purpose PFA (Fluoropolymer) insulators deliver superior impedance, VSWR and insertion loss values.

Specifications	
Current Rating	5 AMPS
Dielectric Withstanding Voltage	500 VAC
Insulation Resistance	5000 megohms minimum
Operating Temperature	-65° C. to +175° C.
Shock	300 g.
Vibration	37 g.
Shielding Effectiveness	55 dB minimum from 100MHz to 1000MHz.
Durability	2000 mating cycles

Materials and Finishes	
Shells, Jam Nuts	Aluminum alloy or stainless steel
Contacts	Copper alloy, 50 µInch gold plated
Insulators	PFA
Contact Retention Clip	Beryllium copper alloy
Interfacial Seal, O-rings, Wire Sealing Grommet	Fluorosilicone rubber

Mighty Mouse High Speed Contact Arrangements Mating Face View of Pin Connector (Socket Connector Numbers are Reversed)		
6 - 4 Shell Size 6 4 Size #23 Contacts	6 - 7 Shell Size 6 7 Size #23 Contacts	7 - 10 Shell Size 7 10 Size #23 Contacts
9 - 19 Shell Size 9 19 Size #23 Contacts	10 - 26 Shell Size 10 26 Size #23 Contacts	

Polarization				
		Code	Key Rotation	
			A°	B°
		Normal (A)	150°	210°
		B	75°	210°
		C	95°	230°
		D	140°	275°
		E	75°	275°
		F	95°	210°

Dimensions in Inches (millimeters) are subject to change without notice.





Series 801 Mighty Mouse High-Speed Double-Start ACME Threads Plug Connector 801-036 and 801-039 Ordering Information



Glenair Series 801 Mighty Mouse High-Speed connectors feature double-start modified stub ACME mating threads for improved protection against cross-mating and thread damage. Connector shells are machined aluminum or stainless steel. The connector is equipped with special PFA (Fluoropolymer) insulators and is optimized for use with high-speed differential wire such as our 963-001 cable. Five insert arrangements are offered with 4, 7, 10, 19 and 26 #23 AWG contacts, packaged separately. Terminate contacts with standard M22520 tools. Metal clips inside the connector body lock contact into place. Contacts are removable. Fluorosilicone seals and rear grommet protect connector from water ingress. Terminate cable shield directly to connector body with Band-Master™ ATS strap, or choose rear accessory thread to attach optional cable clamp or backshell.

How To Order

Sample Part Number	801-036	-16	M	7-10	P	A						
Series (See Table I)	801-036 = Banding Platform 801-039 = Rear Accessory Thread											
Shell Style	-16 = Plug with Anti-Decoupling Spring -26 = Self-Locking Plug with Ratchet Mechanism											
Shell Material and Finish	M = Aluminum / Electroless Nickel RoHS Compliant NF = Aluminum / Cadmium with Olive Drab Chromate ZNU = Aluminum / Zinc-Nickel with Black Chromate MT = Aluminum / Nickel-PTFE RoHS Compliant Z1 = Stainless Steel / Passivated RoHS Compliant											
Shell Size - Insert Arrangement (See Table II)	6-4, 6-7, 7-10, 9-19, 10-26											
Contact Type	<table border="0"> <tr> <td>Connector supplied with contacts</td> <td>Connector supplied without contacts</td> </tr> <tr> <td>P = Pin</td> <td>A = Pin Connector, less contacts</td> </tr> <tr> <td>S = Socket</td> <td>B = Socket Connector, less contacts</td> </tr> </table> <p>Connectors with contacts are supplied with signal and/or power crimp contacts. These contacts are not installed. Coaxial contacts and non-standard signal contacts are ordered separately.</p>						Connector supplied with contacts	Connector supplied without contacts	P = Pin	A = Pin Connector, less contacts	S = Socket	B = Socket Connector, less contacts
Connector supplied with contacts	Connector supplied without contacts											
P = Pin	A = Pin Connector, less contacts											
S = Socket	B = Socket Connector, less contacts											
Shell Key Positions (See Table II)	A = Normal B = Pos. B C = Pos. C D = Pos. D E = Pos. F F = Pos. F											

P

Table I: Series

801-036 Plug with Banding Platform	801-039 Plug with Accessory Thread

Table II: Shell Size – Insert Arrangement

6-4	6-7	7-10	9-19	10-26

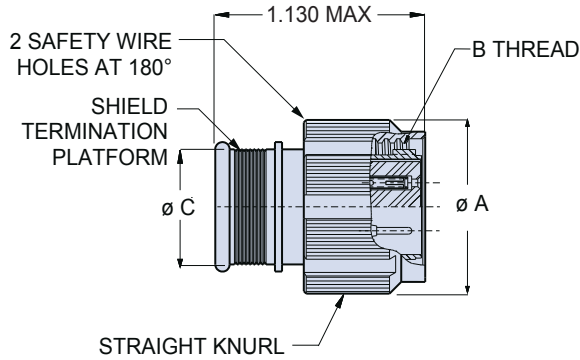
Dimensions in Inches (millimeters) are subject to change without notice.

Series 801 Mighty Mouse High-Speed
Double-Start ACME Threads
801-036 and 801-039 Dimensions

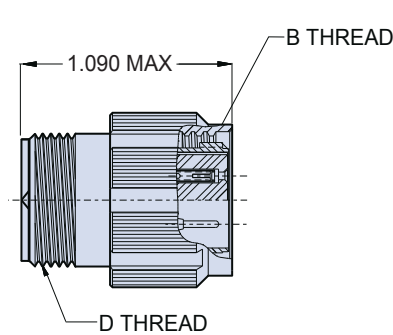


Series 801
High-Speed

Plug with anti-decoupling spring or self-locking mechanism - shell style 16 & 26



Integral Band Platform
801-036



Accessory Thread
801-039

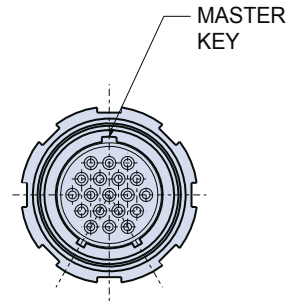
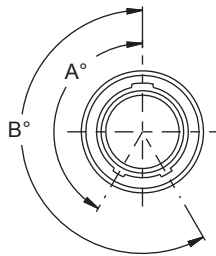


Table III: Shell Key Positions



Key Position	Key Rotation	
	A°	B°
Normal (A)	150°	210°
B	75°	210°
C	95°	230°
D	140°	275°
E	75°	275°
F	95°	210°

Dimensions

Shell Size	Style 16		Style 26		B Thread	Ø C		D Thread UNEF-2A
	Ø A		Ø A			In.	mm.	
	In.	mm.	In.	mm.				
6	.60	15.2	.70	17.8	.3750-.05P-1L-2B	.290	7.4	.3125-32
7	.69	17.5	.79	20.1	.4375-.05P-1L-2B	.390	9.9	.4375-28
9	.81	20.6	.92	23.4	.5625-.05P-1L-2B	.500	12.7	.5625-24
10	.88	22.4	.98	24.9	.6250-.05P-1L-2B	.560	14.2	.6250-24

Material and Finish

- Plug Barrel, Coupling Nut: Aluminum Alloy or Stainless Steel
- Insulator: PFA
- Interfacial Seal, Grommet Seal: Fluorosilicone
- Contact: Copper Alloy, 50 Microinch Gold Plated per ATSM B 488, Type II, Code C, Class 1.25 (.00005 minimum thickness), over a suitable underplate.

Dimensions in Inches (millimeters) are subject to change without notice.





Series 801 Mighty Mouse High-Speed Connectors

Crimp Receptacle Connector with Double-Start ACME Threads

801-037 and 801-040 Ordering Information



In-Line
Shell Style 01



Rear Panel Jam Nut Mount
Shell Style 07



Square Flange Mount
Shell Style 02

How To Order						
Sample Part Number	801-037	-02	Z1	6-4	S	A
Series (See Table I)	801-037 = Receptacle with Banding Platform 801-040 = Receptacle with Accessory Thread					
Shell Style (See Table II)	-01 = In-Line For Free-Hanging Cables -02 = Square Flange For Front or Rear Mounting -07 = Jam Nut For Rear Panel Mounting					
Shell Material and Finish	M = Aluminum / Electroless Nickel RoHS Compliant NF = Aluminum / Cadmium with Olive Drab Chromate ZNU = Aluminum / Zinc-Nickel with Black Chromate MT = Aluminum / Nickel-PTFE RoHS Compliant Z1 = Stainless Steel / Passivated RoHS Compliant					
Shell Size - Insert Arrangement (See Table III)	6-4, 6-7, 7-10, 9-19, 10-26					
Contact Type	Connector supplied with contacts P = Pin S = Socket	Connector supplied without contacts A = Pin Connector B = Socket Connector	Connector Supplied with 30 AWG Crimp Barrel G = Pin H = Socket			
Shell Key Positions (See Table IV)	A = Normal B = Pos. B C = Pos. C D = Pos. D E = Pos. E F = Pos. F					

P

Table I: Series	
801-037 Receptacle with Banding Platform	801-040 Receptacle with Accessory Thread

Table II: Shell Style		
-01 In-Line	-02 Square Flange	-07 Jam Nut for Rear Panel Mounting

Table IV: Shell Key Positions		
Key Position	Key Rotation	
	A°	B°
Normal (A)	150°	210°
B	75°	210°
C	95°	230°
D	140°	275°
E	75°	275°
F	95°	210°

Table III: Shell Size - Insert Arrangement				
6-4	6-7	7-10	9-19	10-26

Dimensions in Inches (millimeters) are subject to change without notice.

Series 801 Mighty Mouse High-Speed Connectors

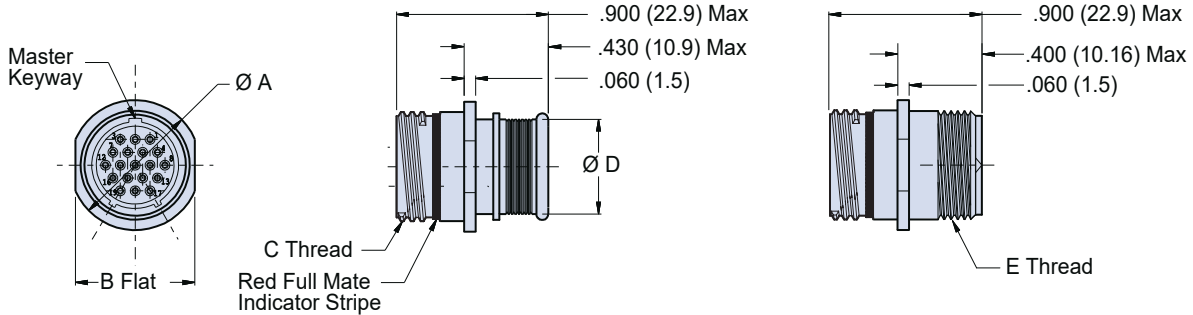
Crimp Receptacle Connector with Double-Start ACME Threads

801-037 and 801-040 Shell Style 01



Series 801
High-Speed

In-line receptacle - shell style 01



Integral Band Platform

801-037-01

Accessory Thread

801-040-01

Dimensions								
Shell Size	Ø A		B Flat		C Thread	Ø D		E Thread UNEF-2A
	In.	mm.	In.	mm.		In.	mm.	
6	.415	10.54	.385	9.78	.375-.05P-1L-2A	.290	7.37	.3125-32
7	.480	12.19	.445	11.30	.4375-.05P-1L-2A	.390	9.91	.4375-28
9	.605	15.37	.575	14.61	.5625-.05P-1L-2A	.500	12.70	.5625-24
10	.655	16.64	.635	16.13	.6250-.05P-1L-2A	.560	14.22	.6250-24

NOTES

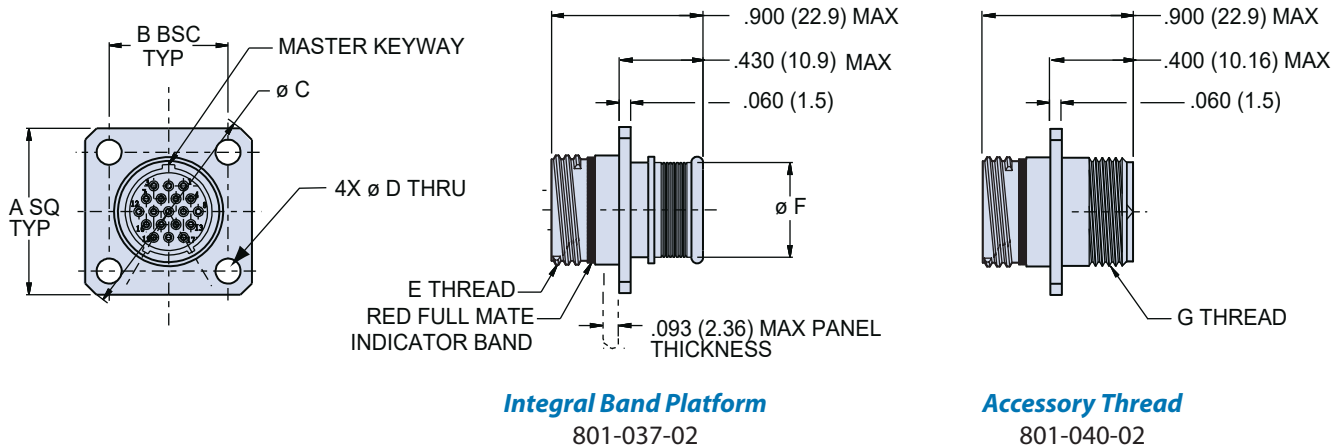
- Contacts are size 23 crimp type, and used in a rear release retention system
- For additional insert arrangements consult factory.
- Glenair recommends using high speed differential pari wire such as 859-041. Crimp barrel accommodates 22, 24, 26 and 28 gage wire
- Crimp tool data:
 - Crimp frame: Glenair P/N 809-015 (M22520/2-01)
 - Positioner for use with crimp frame: Glenair P/N 809-005
 - Insertion / extraction tool: Glenair P/N 809-088
- Connector must be mated to another high-speed Mighty Mouse connector to achieve high speed performance. Mates with all quick coupling high density plug connectors with same polarization and opposite contact gender

Material and Finish

- Plug Barrel, Coupling Nut: Aluminum Alloy or Stainless Steel
- Insulator: PFA
- Interfacial Seal, Grommet Seal: Fluorosilicone
- Contact: Copper Alloy, 50 Microinch Gold Plated per ATSM B 488, Type II, Code C, Class 1.25 (.00005 minimum thickness), over a suitable underplate.

Dimensions in Inches (millimeters) are subject to change without notice.

Square flange, front or rear mount receptacle - shell style 02



Dimensions												
Shell Size	A SQ		B BSC		Ø C		Ø D		E Thread	Ø F		G Thread UNEF-2A
	In.	mm.	In.	mm.	In.	mm.	In.	mm.		In.	mm.	
6	.590	14.99	.423	10.74	.750	19.05	.096	2.44	.3750-.05P-1L-2A	.290	7.37	.3125-32
7	.650	16.51	.483	12.27	.850	21.59	.091	2.31	.4375-.05P-1L-2A	.390	9.91	.4375-28
9	.850	21.59	.607	15.4	1.125	28.56	.130	3.30	.5625-.05P-1L-2A	.500	12.70	.5625-24
10	.890	22.61	.670	17.0	1.188	30.18	.126	3.20	.6875-.05P-1L-2A	.560	14.22	.6250-24

Panel Cutout Dimensions						
Shell Size	Ø G		Ø H Bsc		Ø R	
	In.	mm.	In.	mm.	In.	mm.
6	.096	2.44	.423	10.74	.390	9.91
7	.091	2.31	.483	12.27	.450	11.43
9	.130	3.30	.607	15.42	.575	14.61
10	.126	3.20	.670	17.02	.640	16.26

NOTES

Material and Finish

- Plug Barrel, Coupling Nut: Aluminum Alloy or Stainless Steel
- Insulator: PFA
- Interfacial Seal, Grommet Seal: Fluorosilicone
- Contact: Copper Alloy, 50 Microinch Gold Plated per ATSM B 488, Type II, Code C, Class 1.25 (.00005 minimum thickness), over a suitable underplate.

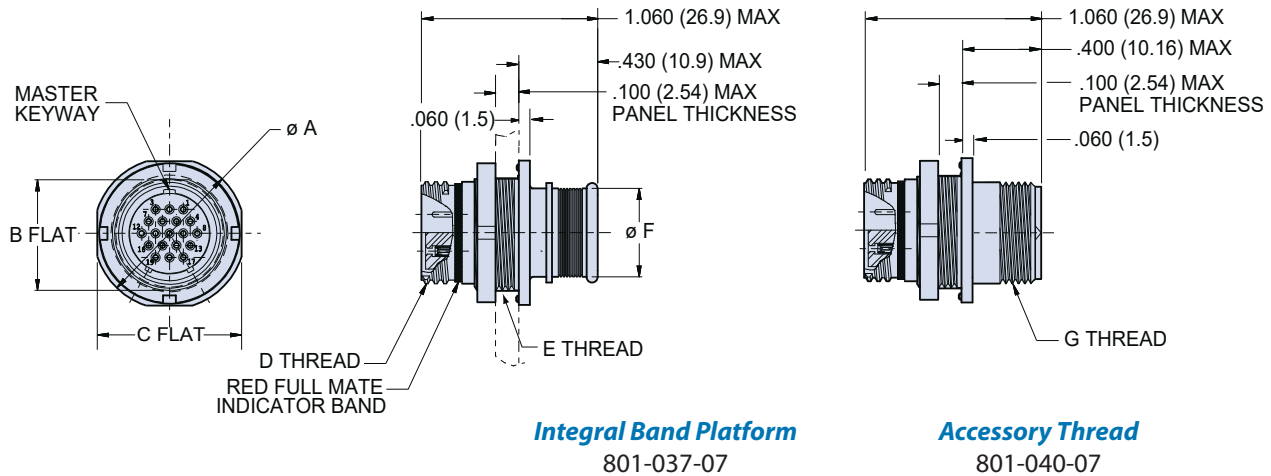
Dimensions in Inches (millimeters) are subject to change without notice.

**Series 801 Mighty Mouse High-Speed
Double-Start ACME Thread Receptacle
801-037 and 801-040 Shell Style -07 Dimensions**



Series 801
High-Speed

Jam nut, rear panel mount receptacle - shell style 07



Integral Band Platform
801-037-07

Accessory Thread
801-040-07

Dimensions												
Shell Size	Ø A		B Flat		C Flat		D Thread	E Thread	Ø F		G Thread UN-2A	
	In.	mm.	In.	mm.	In.	mm.			In.	mm.	In.	mm.
6	.635	16.13	.410	10.41	.595	15.11	.3750-.05P-.1L-2A	.4375-28 UNEF-2A	.290	7.37	.3125-32	.3125-32
7	.755	19.18	.536	13.61	.723	18.36	.4375-.05P-.1L-2A	.5625-32 UN-2A	.390	9.91	.4375-28	.4375-28
9	.830	21.08	.596	15.14	.790	20.07	.5625-.05P-.1L-2A	.6250-28 UN-2A	.500	12.70	.5625-24	.5625-24
10	.890	22.61	.658	16.71	.855	21.72	.6250-.05P-.1L-2A	.6875-28 UN-2A	.560	14.22	.6250-24	.6250-24

Series 801 Jam Nut Panel Cutout					
Shell Size	A Flat		Ø B		
	In. ± .002	mm. ± 0.05	In. ± .002	mm. ± 0.05	
6	.418	10.62	.448	11.37	
	.414	10.52			
7	.544	13.82	.573	14.55	
	.540	13.72			
9	.604	13.34	.635	16.13	
	.600	15.24			
10	.668	16.97	.698	17.73	
	.664	16.87			

NOTES

Material and Finish

- Plug Barrel, Coupling Nut: Aluminum Alloy or Stainless Steel
- Insulator: PFA
- Interfacial Seal, Grommet Seal: Fluorosilicone
- Contact: Copper Alloy, 50 Microinch Gold Plated per ATSM B 488, Type II, Code C, Class 1.25 (.00005 minimum thickness), over a suitable underplate.

Dimensions in Inches (millimeters) are subject to change without notice.

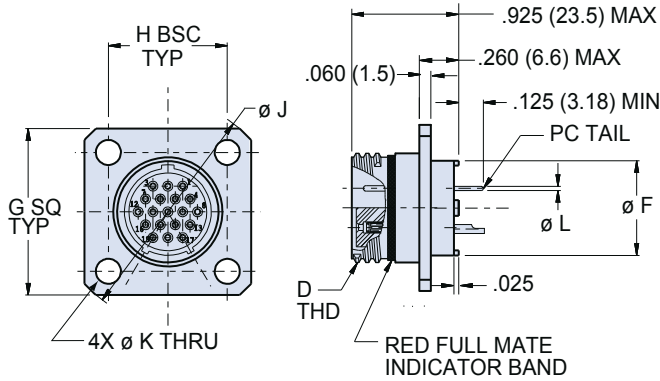
P

**Series 801 Mighty Mouse High-Speed
Double-Start ACME Threads
-02 Square Flange and -07 Jam Nut Dimensions**



Series 801
High-Speed

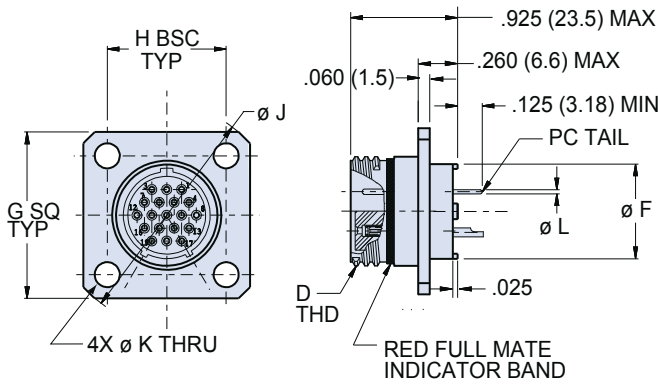
Square flange front or rear panel mount receptacle - shell style 02



801-038-02
Square Flange

Square Flange Panel Cutout					
	Ø A		B BSC		Ø C
Shell Size	In.	mm.	In.	mm.	In. mm.
6	.390	9.91	.423	10.74	.096 2.44
7	.450	11.43	.483	12.27	.091 2.31
9	.575	14.61	.607	15.42	.130 3.30
10	.640	16.26	.670	17.02	.126 3.20

Jam nut rear panel mount receptacle - shell style 07



Jam Nut
801-038-07

Jam Nut Panel Cutout			
	D Flat		Ø E
Shell Size	In. ± .002	mm.	In. ± .002 mm. ± 0.0
6	.416	10.57	.448 11.38
7	.542	13.77	.573 14.55
9	.602	15.29	.635 16.13
10	.666	16.92	.698 17.73

Dimensions																			
Shell Size	Ø A		B Flat		C Flat		D Thread	E Thread	Ø F		G Sq.		H BSC		Ø J		K Holes		Ø L Tail Dia.
	In.	mm.	In.	mm.	In.	mm.			In.	mm.	In.	mm.	In.	mm.	In.	mm.	In.	mm.	
6	.635	16.13	.410	10.41	.595	15.11	.3750-.05P-.1L-2A	.4375-28 UNEF-2A	.330	8.38	.590	14.99	.423	10.74	.750	19.05	.096	2.44	#23 (.018/.022 (0.46/0.56))
7	.755	19.18	.536	13.61	.723	18.36	.4375-.05P-.1L-2A	.5625-32 UN-2A	.432	10.97	.650	16.51	.483	12.27	.850	21.59	.091	2.31	
9	.830	21.08	.596	15.14	.790	20.07	.5625-.05P-.1L-2A	.6250-28 UN-2A	.551	14.00	.850	21.59	.607	15.42	1.125	28.58	.130	3.30	
10	.890	22.61	.658	16.71	.855	21.72	.6250-.05P-.1L-2A	.6875-28 UN-2A	.620	15.75	.890	22.61	.670	17.02	1.188	30.18	.126	3.20	

Dimensions in Inches (millimeters) are subject to change without notice.

Square flange and jam nut PCB footprints

Straight PCB Pin Footprints (socket connector numbers are reversed)		
<p>Pin Connector 6-4</p>	<p>Pin Connector 6-7</p>	<p>Socket Connector 7-10</p>
<p>Pin Connector 9-19</p>	<p>Pin Connector 10-26</p>	

Material and Finish

- Plug Barrel, Coupling Nut: Aluminum Alloy or Stainless Steel
- Insulator: PFA
Potting Compound: Epoxy
- Interfacial Seal, Grommet Seal: Fluorosilicone
- Contact: Copper Alloy/Gold Plate

P

Dimensions in Inches (millimeters) are subject to change without notice.

SERIES 804

PUSH-PULL *HIGH-SPEED* MIGHTY MOUSE

Environmental sealing and rugged design
in a lightweight push-pull package designed
for high bandwidth field applications



For breakaway connections, the Series 804 QDC connector features a stainless steel spring in the receptacle and a detent on the plug body. Used for headsets, radios, weapons and other applications, the QDC Mighty Mouse meets immersion requirements and provides excellent durability. The gold-plated spring provides low shell-to-shell resistance for excellent EMI shielding. A fluorosilicone o-ring provides a watertight seal when mated. Series 804 High-Speed Mighty Mouse connectors are equipped with special purpose PFA (Teflon[®]) inserts that deliver superior insertion loss and balanced impedance performance for high-speed Ethernet applications at frequencies above 1 GHz.

Glenair[®]

Glenair, Inc.
1211 Air Way
Glendale, CA
91201-2497
818-247-6000
sales@glenair.com
www.glenair.com

Series 804 Mighty Mouse *High-Speed*
Push-Pull Quick-Disconnect Connectors
Table of Contents and Introduction



Series 804
High-Speed

PRODUCT SELECTION GUIDE



804-026 and 804-027
Plug Connectors

Page Q-4



804-028 and 804-029
Crimp Receptacles

Page Q-6



804-030
PCB Receptacles

Page Q-10



804-071
10Gbase-T Ethernet Cordsets with Series 804 Overmolded Mighty Mouse
Connectors, Back-to-Back or Single-Ended

Page Q-12



804-074
10Gbase-T Ethernet Cordsets with Series 804 Overmolded Mighty Mouse
Connectors to Commercial RJ45 Plug

Page Q-13

Dimensions in Inches (millimeters) are subject to change without notice.

Series 804 Mighty Mouse *High-Speed* Push-Pull Quick-Disconnect Connectors

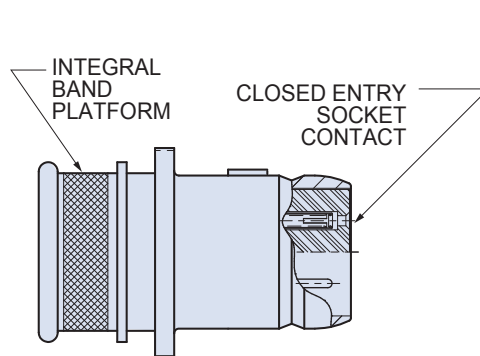
General Information



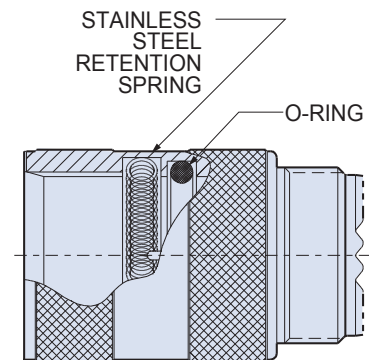
Series 804 *High-Speed* Mighty Mouse Plug and Receptacle Connectors

Series 804 quick-disconnect offers environmental sealing and rugged design in a lightweight, push-pull package. Ideal for breakaway connections, the Series 804 QDC *High-Speed* connector features a stainless steel spring in the receptacle and a detent on the plug body. Used for headsets, radios, weapons and other applications, the QDC Mighty Mouse meets immersion requirements and provides excellent durability. The gold-plated spring provides low shell-to-shell resistance for excellent EMI shielding. A fluorosilicone o-ring provides a watertight seal when mated. PCB mount versions also available.

- **Push-to-Mate,
Pull-to-Unmate**
- **Special Purpose PFA
(Fluoropolymer)
Insulators**
- **Gold-Plated Stainless
Steel Spring**
- **Crimp Rear Release
Contacts**
- **Integral Band Platform**
- **Supplied with Size #23
Gold-Plated Copper Alloy
Crimp, PCB or Solder Cub
Contacts**
- **Environmentally Sealed**



SERIES 804 PLUG



SERIES 804 RECEPTACLE

Q

High-Speed Performance

Series 804 *High-Speed* Mighty Mouse connectors are constructed with a rear grommet for environmental sealing. This grommet can be removed in order to maintain the construction of the matched impedance pair cable for a longer distance inside the connector for improved high-speed performance (see tables below.) However, removal of the grommet affects environmental sealing. For optimal high-speed performance and environmental sealing, Glenair recommends our factory-terminated overmolded cordsets. Full ordering information begins on page Q-12.

Factory-terminated overmolded cordsets for optimal high-speed performance and environmental sealing: See page Q-12



Dimensions in Inches (millimeters) are subject to change without notice.

Series 804 Mighty Mouse *High-Speed* Push-Pull Quick-Disconnect Connectors

General Information



Series 804
High-Speed

Quick-Disconnect Mating Series 804 push-pull mating utilizes a stainless steel retention spring in the receptacle and a detent on the plug.

Two Shell Styles: Integral platform for direct shield attachment using Band-Master™ ATS advanced termination system, or accessory thread for attaching a strain relief.

Crimp, Rear Release contact system, with #23 contacts.

Printed Circuit Board and Solder Cup versions with precision machined low profile shells.

Harsh Environment: Fluorosilicone seals, aluminum or stainless steel shells, and gold-plated copper alloy contacts for superior performance in demanding applications.

High-Speed: Special purpose PFA (Fluoropolymer) insulators deliver superior impedance, VSWR and insertion loss values.

Specifications	
Current Rating	5 AMPS
Dielectric Withstanding Voltage	750 VAC
Insulation Resistance	5000 megohms minimum
Operating Temperature	-65° C. to +175° C.
Shock	300 g.
Vibration	37 g.
Shielding Effectiveness(1)	60 dB minimum from 100MHz to 1000MHz.
Durability	2000 mating cycles
(1) Tested with electroless nickel plating.	

Materials and Finishes	
Shells, Jam Nuts	Aluminum alloy or stainless steel
Contacts	Copper alloy, 50 µlnch gold plated
Insulators	PFA
Contact Retention Clip	Beryllium copper alloy
Interfacial Seal, O-rings, Wire Sealing Grommet	Fluorosilicone rubber
Spring	Gold plated stainless steel

Series 804 Unmate Force		
Layout	Average Force	
	Pounds	Newtons
6-4	10.8	48.0
6-7	11.4	50.7
7-10	12.0	53.4
9-19	13.8	61.4
10-26	15.2	67.6

Mighty Mouse <i>High-Speed</i> Contact Arrangements Mating Face View of Pin Connector (Socket Connector Numbers are Reversed)		
 6 - 4	 6 - 7	 7 - 10
Shell Size 6 4 Size #23 Contacts	Shell Size 6 7 Size #23 Contacts	Shell Size 7 10 Size #23 Contacts
 9 - 19	 10 - 26	
Shell Size 9 19 Size #23 Contacts	Shell Size 10 26 Size #23 Contacts	

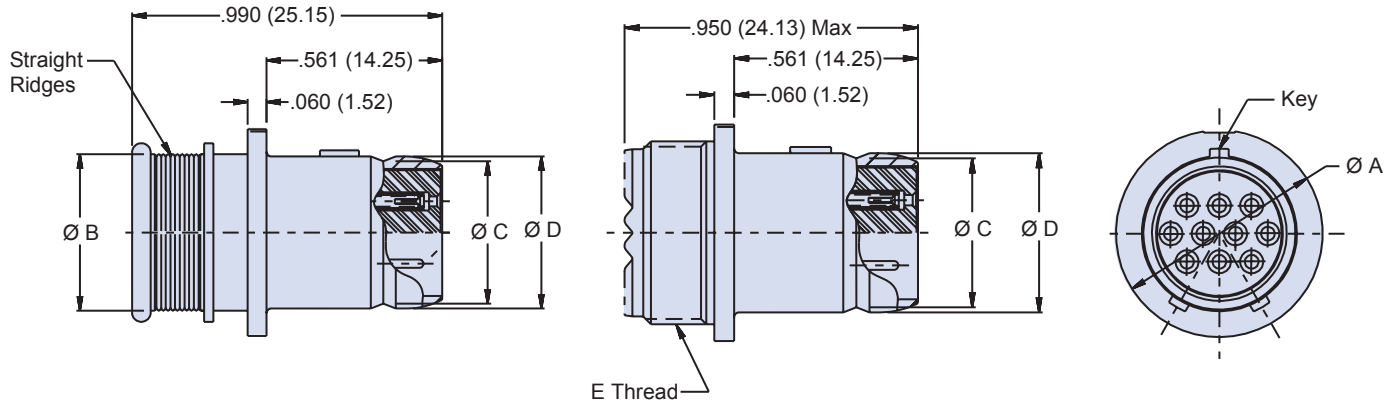
Dimensions in Inches (millimeters) are subject to change without notice.

Series 804 Push-Pull High-Speed Mighty Mouse

Quick-Disconnect Plug Connector
with #23 Crimp Rear Release Contacts
804-026 and 804-027 Ordering Information



Series 804
High-Speed



Integral Band Platform
804-026-06

Accessory Thread
804-027-06

Dimensions									
Shell Size	Ø A Max.		Ø B		Ø C		Ø D		E Threads
	In.	mm.	In.	mm.	In.	mm.	In.	mm.	
6	.495	12.57	.286	7.26	.282	7.16	.313	7.95	.3125-32 UNEF-2A
7	.575	14.61	.390	9.91	.351	8.92	.383	9.73	.4375-28 UNEF-2A
9	.670	17.02	.500	12.70	.454	11.53	.486	12.34	.5625-24 UNEF-2A
10	.745	18.92	.564	14.33	.529	13.44	.563	14.30	.6250-24 UNEF-2A

Table III: Plug Key Positions

Position	A°	B°
A	150°	210°
B	75°	210°
C	95°	230°
D	140°	275°
E	75°	275°
F	95°	210°

Dimensions in Inches (millimeters) are subject to change without notice.

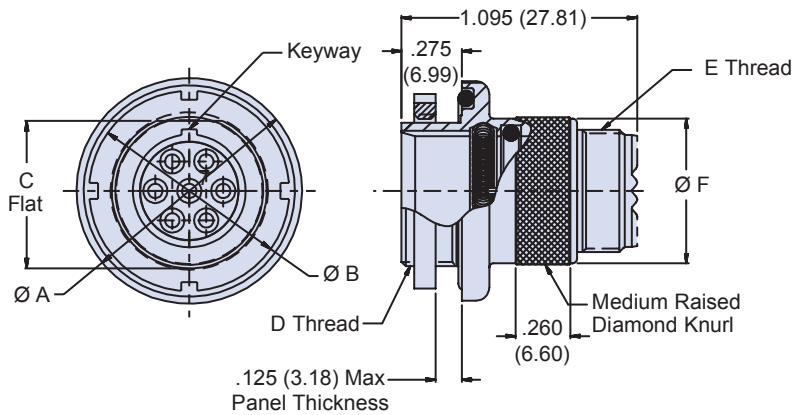
Series 804 Push-Pull High-Speed Mighty Mouse

Quick-Disconnect Receptacle Connector
with size #23 Crimp Rear Release Contacts
804-028 and 804-029 Shell Style -07 Dimensions

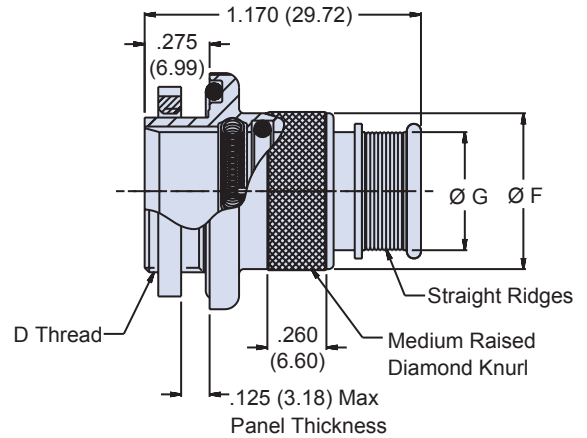


Series 804
High-Speed

Jam nut, rear panel mount - shell style 07



Accessory Thread
804-029-07



Integral Band Platform
804-028-07

Dimensions												
Shell Size	Ø A		Ø B		C Flat		D Threads	E Threads	Ø F		Ø G	
	In.	mm.	In.	mm.	In.	mm.			In.	mm.	In.	mm.
6	.830	21.08	.625	15.87	.467	14.40	.5000-32 UN-2A	.3125-32 UNEF-2A	.520	13.21	.286	7.26
7	.910	23.11	.750	19.05	.594	15.09	.6250-28 UN-2A	.4375-28 UNEF-2A	.580	14.73	.390	9.91
9	1.000	25.40	.812	20.62	.655	16.64	.6875-28 UN-2A	.5625-24 UNEF-2A	.695	17.65	.500	12.70
10	1.085	27.48	.875	22.22	.721	18.31	.7500-28 UN-2A	.6250-24 UNEF-2A	.735	18.67	.564	14.33

Table III: Receptacle Keyway Positions

Position	A°	B°
A	150°	210°
B	75°	210°
C	95°	230°
D	140°	275°
E	75°	275°
F	95°	210°

Rear Mount Jam Nut Panel Cutout

Shell Size	M Flat		Ø N	
	In.	mm.	In. ± .005	mm. ± 0.13
6	.479	12.17	.510	12.95
	.475	12.07		
7	.606	15.39	.635	16.13
	.602	15.29		
9	.667	16.94	.698	17.73
	.663	16.84		
10	.734	18.64	.760	19.30
	.729	18.52		

Dimensions in Inches (millimeters) are subject to change without notice.



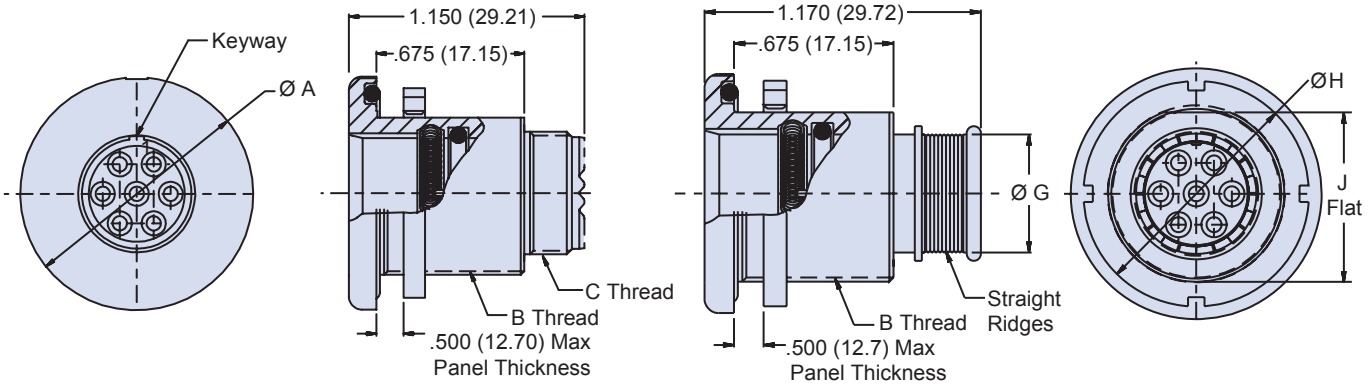
Series 804 Push-Pull High-Speed Mighty Mouse

Quick-Disconnect Receptacle Connector

with size #23 Crimp Rear Release Contacts

804-028 and 804-029 Shell Style -00 Dimensions

Jam nut, front panel mount receptacle - shell style 00



Accessory Thread
804-029-00

Integral Band Platform
804-028-00

Shell Size	Dimensions									
	Ø A		B Threads	C Threads	Ø G		Ø H		J Flat	
	In.	mm.			In.	mm.	In.	mm.	In.	mm.
6	.885	22.48	.5625-32 UN-2A	.3125-32 UNEF-2A	.286	7.26	.688	17.47	.530	13.46
7	.995	25.27	.6875-28 UN-2A	.4375-28 UNEF-2A	.390	9.91	.812	20.62	.663	16.84
9	1.075	27.31	.7500-28 UN-2A	.5625-24 UNEF-2A	.500	12.70	.875	22.22	.720	18.29
10	1.140	28.95	.8125-28 UN-2A	.6250-24 UNEF-2A	.564	14.33	.938	23.82	.788	20.02

Q

Table III: Receptacle Keyway Positions

Position	A°	B°
A	150°	210°
B	75°	210°
C	95°	230°
D	140°	275°
E	75°	275°
F	95°	210°

Rear Mount Jam Nut Panel Cutout

Shell Size	M Flat		Ø N	
	In.	mm.	In. ± .005	mm. ± 0.13
6	.479	12.17	.510	12.95
	.475	12.07		
7	.606	15.39	.635	16.13
	.602	15.29		
9	.667	16.94	.698	17.73
	.663	16.84		
10	.734	18.64	.760	19.30
	.729	18.52		

Dimensions in Inches (millimeters) are subject to change without notice.

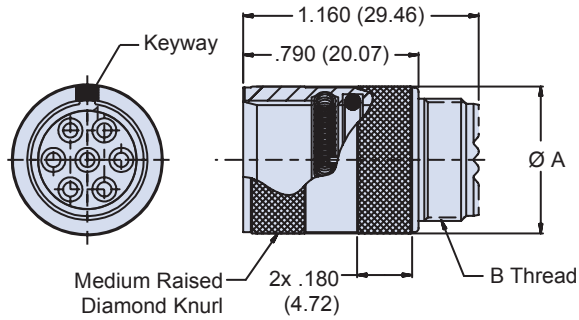
Series 804 Push-Pull High-Speed Mighty Mouse

Quick-Disconnect Receptacle Connector
with size #23 Crimp Rear Release Contacts
804-028 and 804-029 Shell Style -01 Dimensions

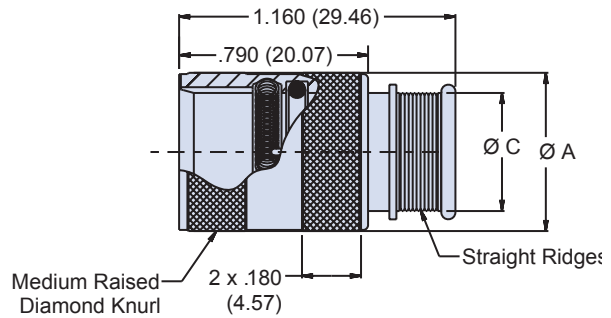


Series 804
High-Speed

Inline cable receptacle - shell style 01



Accessory Thread
804-029-01



Integral Band Platform
804-028-01

Shell Size	Ø A		B Threads	Ø C	
	In.	mm.		In.	mm.
6	.520	13.21	.3125-32 UNEF-2A	.286	7.26
7	.580	14.73	.4375-28 UNEF-2A	.390	9.91
9	.695	17.65	.5625-24 UNEF-2A	.500	12.70
10	.735	18.67	.6250-24 UNEF-2A	.564	14.33

Table III: Receptacle Key Positions

Position	A°	B°
A	150°	210°
B	75°	210°
C	95°	230°
D	140°	275°
E	75°	275°
F	95°	210°

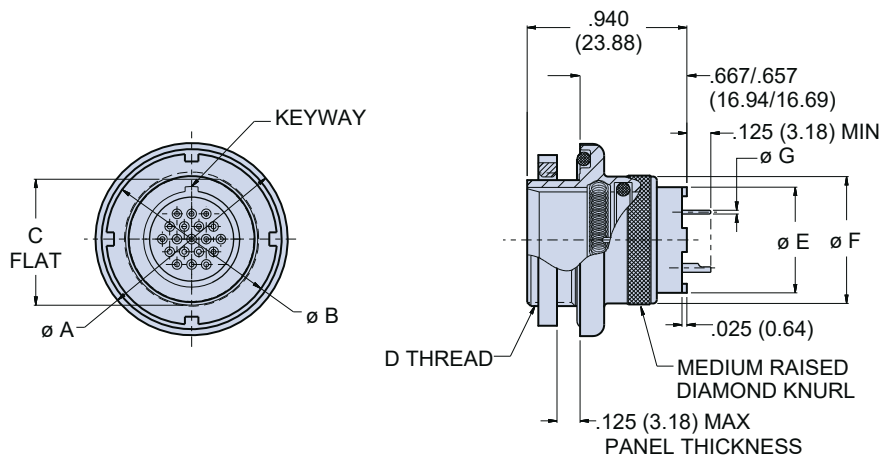
Dimensions in Inches (millimeters) are subject to change without notice.

Series 804 Push-Pull High-Speed Mighty Mouse
Rear and Front Mount Jam-Nut PCB or Solder Cup Receptacle
804-030 and 804-031 Ordering Information



Series 804
High-Speed

Rear panel jam nut 804-030/031 - shell style 07

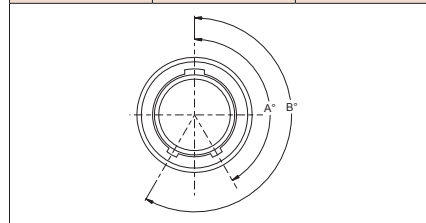


Shell Size	M Flat		Ø N	
	In.	mm.	In.	mm.
6	.479 .475	12.17 12.07	.510	12.95
7	.606 .602	15.39 15.29	.635	16.13
9	.667 .663	16.94 16.84	.698	17.73
10	.734 .729	18.64 18.52	.760	19.30

Shell Size	Dimensions								Ø F Tail Dia.			
	Ø A		Ø B		C Flat		D Threads	Ø E		Ø F		
	In.	mm.	In.	mm.	In.	mm.		In.			mm.	
6	.730	18.54	.625	15.87	.467	14.40	.5000-32 UN-2A	.330	8.38	.483	12.27	.018/.022 (.46/.56)
7	.910	23.11	.750	19.05	.594	15.09	.6250-28 UN-2A	.432	10.97	.570	14.48	
9	1.000	25.40	.812	20.62	.655	16.64	.6875-28 UN-2A	.551	14.00	.685	17.40	
10	1.085	27.48	.875	22.22	.721	18.31	.7500-28 UN-2A	.620	15.75	.725	18.42	

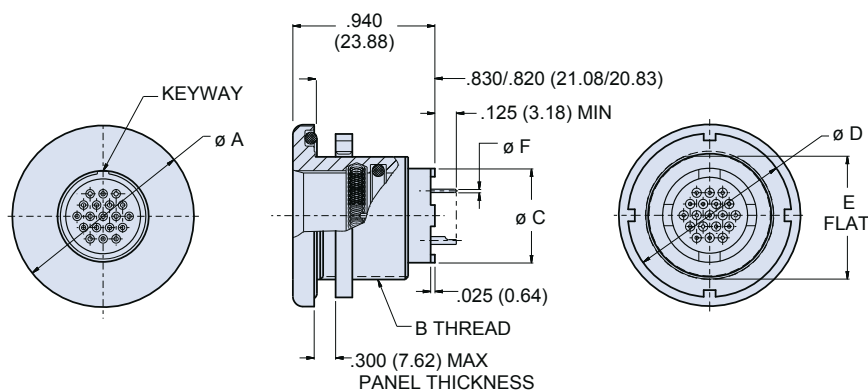
Table III: Receptacle Keyway Positions

Position	A°	B°
A	150°	210°
B	75°	210°
C	95°	230°
D	140°	275°
E	75°	275°
F	95°	210°



Q

Front panel jam nut 804-030/031 - shell style 00



Shell Size	Dimensions								Ø F Tail Dia.	
	Ø A		B Threads	Ø C		Ø D		E Flat		
	In.	mm.		In.	mm.	In.	mm.	In.		mm.
6	.885	22.48	.5625-28 UN-2A	.330	8.38	.688	17.47	.530	13.46	.018/.022 (.46/.56)
7	.995	25.27	.6875-28 UN-2A	.432	10.97	.812	20.62	.663	16.84	
9	1.075	27.31	.7500-28 UN-2A	.551	14.00	.875	22.22	.720	18.29	
10	1.140	28.95	.8125-28 UN-2A	.620	15.75	.938	23.82	.788	20.02	

Front Mount Jam Nut Panel Cutout

Shell Size	P Flat		Ø R	
	In.	mm.	In.	mm.
6	.542 .538	13.77 13.67	.575	14.61
7	.676 .671	17.17 17.04	.698	17.73
9	.732 .728	18.59 18.49	.760	19.30
10	.801 .796	20.35 20.22	.822	20.88

Dimensions in Inches (millimeters) are subject to change without notice.

Series 805 Mighty Mouse *High-Speed*
Triple-Start ACME Thread Connectors
Table of Contents and Introduction



Series 805
High-Speed

PRODUCT SELECTION GUIDE



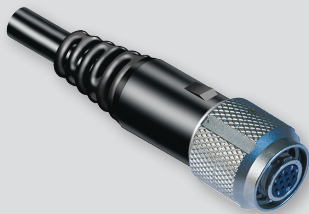
805-020 and 805-021
Plug Connectors

Page R-4



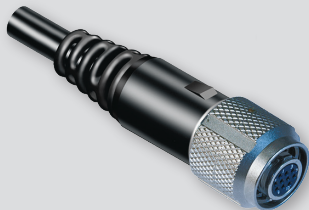
805-022 and 805-023
Receptacles Connectors

Page R-6



805-113
Series 805 Mighty Mouse Overmolded, 10Gbase-T, Back-to-Back or Single-Ended Cordset

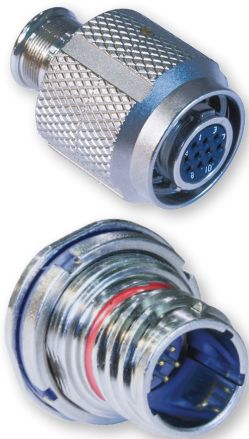
Page R-11



805-116
Series 805 Mighty Mouse Overmolded, 10Gbase-T Cordsets with Commercial Ethernet Connectors

Page R-12

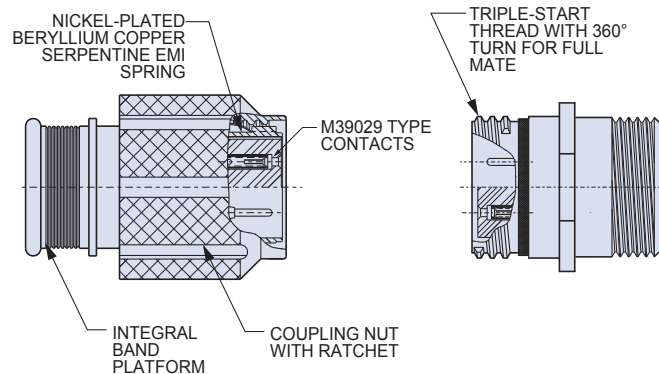
Dimensions in Inches (millimeters) are subject to change without notice.



Series 805 High-Speed Mighty Mouse Plug and Receptacle Connectors

The 805 Series *High-Speed* Mighty Mouse is ideal for use in USB 2.0, and other high-speed databus applications. The connector is equipped with special PFA (Fluoropolymer) insulators and is optimized for use with high-speed differential wire such as our 963-001 Series cable. Five insert arrangements are offered with 4, 7, 10, 19 and 26 size #23 contacts. The high-density, small form factor connector is suited for applications where traditional military circular connectors are too large or too heavy. The triple-start threads provide full mating in 1 turn, and the plug features an anti-decoupling ratchet mechanism for severe vibration resistance. EMI performance is improved with a serpentine ground spring on the plug barrel. This nickel plated beryllium copper spring assures low shell-to-shell resistance.

- Triple-Start ACME Thread with anti-decoupling spring or ratchet
- Special Purpose PFA (Fluoropolymer) Insulators
- Crimp Rear Release Contacts
- Integral Band Platform
- Supplied with Size #23 Gold-Plated Copper Alloy Crimp
- Environmentally Sealed



High-Speed Performance

Series 805 *High-Speed* Mighty Mouse connectors are constructed with a rear grommet for environmental sealing. This grommet can be removed in order to maintain the construction of the matched impedance pair cable for a longer distance inside the connector for improved high-speed performance. However, removal of the grommet affects environmental sealing. For optimal high-speed performance and environmental sealing, Glenair recommends our factory-terminated overmolded cordsets. Full ordering information of begins on page R-11.

Factory-terminated overmolded cordsets for optimal high-speed performance and environmental sealing: See page R-11



Dimensions in Inches (millimeters) are subject to change without notice.

Series 805 Mighty Mouse High-Speed Triple-Start ACME Thread Connectors

General information



Series 805
High-Speed

Triple-Start ACME Threads

Resist cross threading and shearing. These aerospace-grade Series 805 plugs feature 1 full turn of the coupling nut to full mating.

Two Shell Styles: Integral platform for direct shield attachment using Band-Master™ ATS advanced termination system, or accessory thread for attaching a strain relief.

Crimp, Rear Release contact system, with #23 contacts.

Harsh Environment: fluorosilicone seals, aluminum or stainless steel shells, and gold-plated copper alloy contacts for superior performance in demanding applications.

High-Speed: Special purpose PFA (Fluoropolymer) insulators deliver superior impedance, VSWR and insertion loss values.

Specifications	
Current Rating	5 AMPS
Dielectric Withstanding Voltage	750 VAC
Insulation Resistance	5000 megohms minimum
Operating Temperature	-65° C. to +175° C.
Shock	300 g.
Vibration	37 g.
Shielding Effectiveness	55 dB minimum low frequency from 100MHz to 1000MHz. and 65 dB minimum high frequency from 1 GHz to 10GHz.
Durability	2000 mating cycles

Materials and Finishes	
Shells, Jam Nuts	Aluminum alloy or stainless steel
Contacts	Copper alloy, 50 µlnch gold plated
Insulators	PFA
Contact Retention Clip	Beryllium copper alloy
Interfacial Seal, O-rings, Wire Sealing Grommet	Fluorosilicone rubber

Mighty Mouse High-Speed Contact Arrangements Mating Face View of Pin Connector (Socket Connector Numbers are Reversed)		
8 - 4 Shell Size 8 4 Size #23 Contacts	8 - 7 Shell Size 8 7 Size #23 Contacts	9 - 10 Shell Size 9 10 Size #23 Contacts
11 - 19 Shell Size 11 19 Size #23 Contacts	12 - 26 Shell Size 12 26 Size #23 Contacts	

Table IV: Shell Key Positions			
	Key Position	Key Rotation	
		A°	B°
	Normal (A)	150°	210°
	B	75°	210°
	C	95°	230°
	D	140°	275°
	E	75°	275°
	F	95°	210°

Dimensions in Inches (millimeters) are subject to change without notice.

R



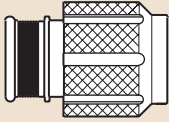
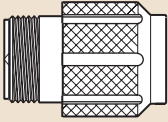
Series 805 Mighty Mouse High-Speed Triple-Start ACME Threads Plug Connector

805-020 and 805-021 Ordering Information



Glenair Series 805 Mighty Mouse High-Speed connectors feature Triple-start modified stub ACME mating threads for improved protection against cross-mating and thread damage. Connector shells are machined aluminum or stainless steel. The connector is equipped with special PFA (Fluoropolymer) insulators and is optimized for use with high-speed differential wire such as our 963-001 cable. Five insert arrangements are offered with 4, 7, 10, 19 and 26 #23 AWG contacts, packaged separately. Terminate contacts with standard M22520 tools. Metal clips inside the connector body lock contact into place. Contacts are removable. Fluorosilicone seals and rear grommet protect connector from water ingress. Terminate cable shield directly to connector body with Band-Master™ ATS band, or choose rear accessory thread to attach optional cable clamp or backshell.

How To Order						
Sample Part Number	805-020	-16	M	9-10	P	A
Series (See Table I)	805-020 = With Banding Platform 805-021 = With Accessory Thread					
Shell Style	-16 = Plug					
Shell Material and Finish	M = Aluminum / Electroless Nickel RoHS Compliant NF = Aluminum / Cadmium with Olive Drab Chromate ZNU = Aluminum / Zinc-Nickel with Black Chromate MT = Aluminum / Nickel-PTFE RoHS Compliant Z1 = Stainless Steel / Passivated RoHS Compliant					
Shell Size - Insert Arrangement	8-4, 8-7, 9-10, 11-19, 12-26 (See Page R-3)					
Contact Type	Connector supplied with contacts P = Pin S = Socket	Connector supplied without contacts A = Pin Connector, less contacts B = Socket Connector, less contacts	Connector supplied with 30 AWG Crimp Barrel G = #23 Pin H = #23 Socket			
Shell Key Positions (See Table II)	A = Normal B = Pos. B C = Pos. C D = Pos. D E = Pos. F F = Pos. F					

Table I: Series	
	
805-020 Plug with Banding Platform	805-021 Plug with Accessory Thread

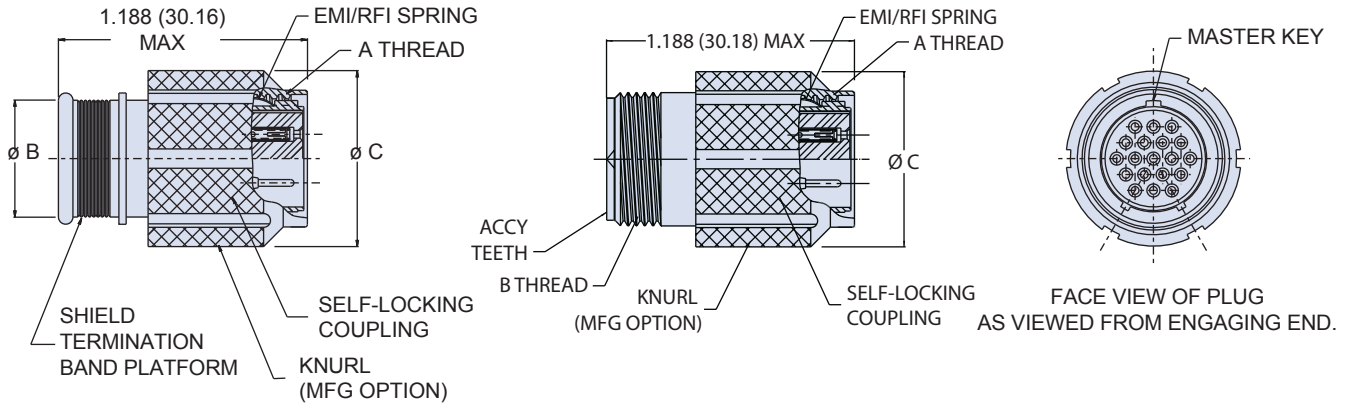
Dimensions in Inches (millimeters) are subject to change without notice.

Series 805 Mighty Mouse High-Speed Triple-Start ACME Threads Plug Connector 805-020 and 805-021 Dimensions



Series 805
High-Speed

Inline cable plug - shell style 16



Integral Band Platform
805-020-16

Accessory Thread
805-021-16

Table II: Shell Key Positions

Key Position	Key Rotation	
	A°	B°
Normal (A)	150°	210°
B	75°	210°
C	95°	230°
D	140°	275°
E	75°	275°
F	95°	210°

Shell Size	Dimensions			
	A Thread	B Thread	Ø B	Ø C
8	.5000-1P-3L-TS-2B	.3750-32 UNEF-2A	0.316	0.692
9	.5625-1P-3L-TS-2B	.4375-28 UNEF-2A	0.397	0.789
11	.6875-1P-3L-TS-2B	.5625-24 UNEF-2A	0.519	0.918
12	.7500-1P-3L-TS-2B	.6250-24 UNEF-2A	0.585	0.984

NOTES

Material and Finish

- Plug barrel, coupling nut: aluminum alloy or stainless steel
- Insulator: PFA
- Interfacial seal, grommet seal: fluorosilicone
- Contact: copper alloy, 50 microinch gold plated per ATSM B 488, Type II, Code C, Class 1.25 (.00005 Min thk), over a suitable underplate
- EMI/RFI spring: beryllium copper/nickel plated



Dimensions in Inches (millimeters) are subject to change without notice.



Series 805 Mighty Mouse High-Speed Triple-Start ACME Thread Receptacle Connector

805-022 and 805-023 Ordering Information



Series 805 High-Speed Receptacles feature gold-plated removable crimp contacts, in a rear release system, are held in place with beryllium copper retention clips. Three shell styles available including jam-nut, square flange, or in-line. All three are offered with integral band platform or accessory thread. Choose band platform for direct attachment of a cable shield with boot or overmold. Select accessory thread option for attaching strain relief backshells.

How To Order						
Sample Part Number	805-023	-02	NF	9-10	P	A
Series (See Table I)	805-022 = Receptacle with Banding Platform 805-023 = Receptacle with Accessory Thread					
Shell Style (See Table II)	-01 = In-line -02 = Square Flange Front or Rear Mount -12 = Square Flange Rear Mount Non-Locking Clinch Nuts -22 = Square Flange Rear Mount Locking Clinch Nuts -07 = Jam Nut for Rear Panel Mounting					
Shell Material and Finish	M = Aluminum / Electroless Nickel; RoHS Compliant MT = Aluminum / Nickel-PTFE RoHS Compliant NF = Aluminum / Cadmium with Olive Drab Chromate ZNU = Aluminum / Zinc-Nickel with Black Chromate Z1 = Stainless Steel / Passivated; RoHS Compliant					
Shell Size - Insert Arrangement	8-4, 8-7, 9-10, 11-19, 12-26 (See Page R-3)					
Contact Type	With contacts P = Pin S = Socket	Without contacts A = Pin Connector, less contacts B = Socket Connector, less contacts	With 30 AWG Crimp Barrel G = #23 Pin H = #23 Socket			
Shell Key Positions (See Table III)	A = Normal B = Pos. B C = Pos. C D = Pos. D E = Pos. E F = Pos. F					

R

Table I: Series	
805-022 Receptacle with Banding Platform	805-023 Receptacle with Accessory Thread

Table II: Shell Style		
-01 Receptacle with Banding Platform	-02, -12, -22 Square Flange	-07 Jam Nut

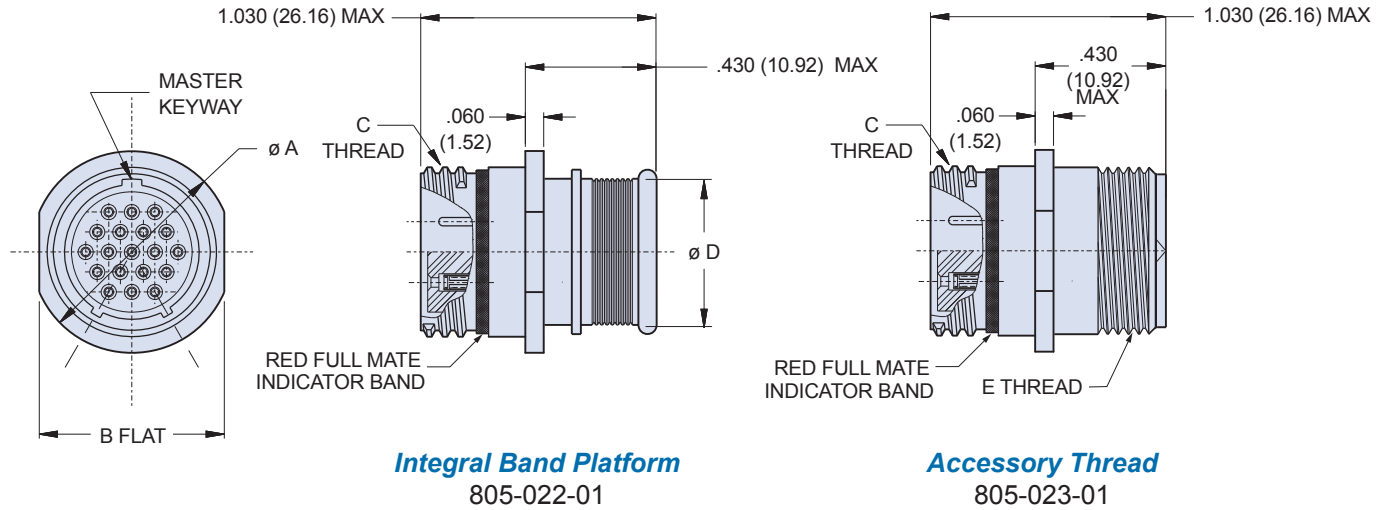
Dimensions in Inches (millimeters) are subject to change without notice.

**Series 805 Mighty Mouse High-Speed
Triple-Start ACME Thread Receptacle Connector
805-022 and 805-023 Dimensions**



Series 805
High-Speed

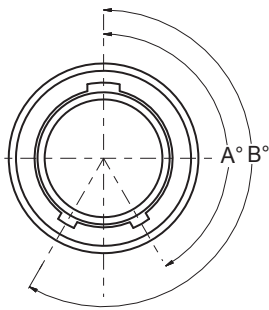
In-line cable receptacle - shell style 01



Integral Band Platform
805-022-01

Accessory Thread
805-023-01

Table III: Key Positions



Key Position	Key Rotation	
	A	B
Normal (A)	150°	210°
B	75°	210°
C	95°	230°
D	140°	275°
E	75°	275°
F	95°	210°

Dimensions

Shell Size	Ø A		B Flat		C Thread	Ø D		E Accessory Thread
	In.	mm.	In.	mm.		In.	mm.	
8	.540	13.72	.510	12.95	.5000-1P-.3L-TS-2A	.316	8.05	.3750-32 UNEF-2A
9	.605	15.37	.575	14.61	.5625-1P-.3L-TS-2A	.397	10.08	.4375-28 UNEF-2A
11	.730	18.54	.700	17.78	.6875-1P-.3L-TS-2A	.519	13.18	.5625-24 UNEF-2A
12	.793	20.14	.763	19.38	.7500-1P-.3L-TS-2A	.585	14.86	.6250-24 UNEF-2A

NOTES

Performance Specifications

- Immersion, mated: MIL-STD-810 Method 512. One meter for one hour.

Materials and Finishes

- Connector shell: aluminum or stainless steel
- Insulator: high grade rigid dielectric
- Seals: fluorosilicone rubber, blue
- Pin contact: copper alloy, gold over nickel plating
- Socket contact: copper alloy, gold over nickel plating, with SST hood
- Contact retainer clip: beryllium copper, unplated

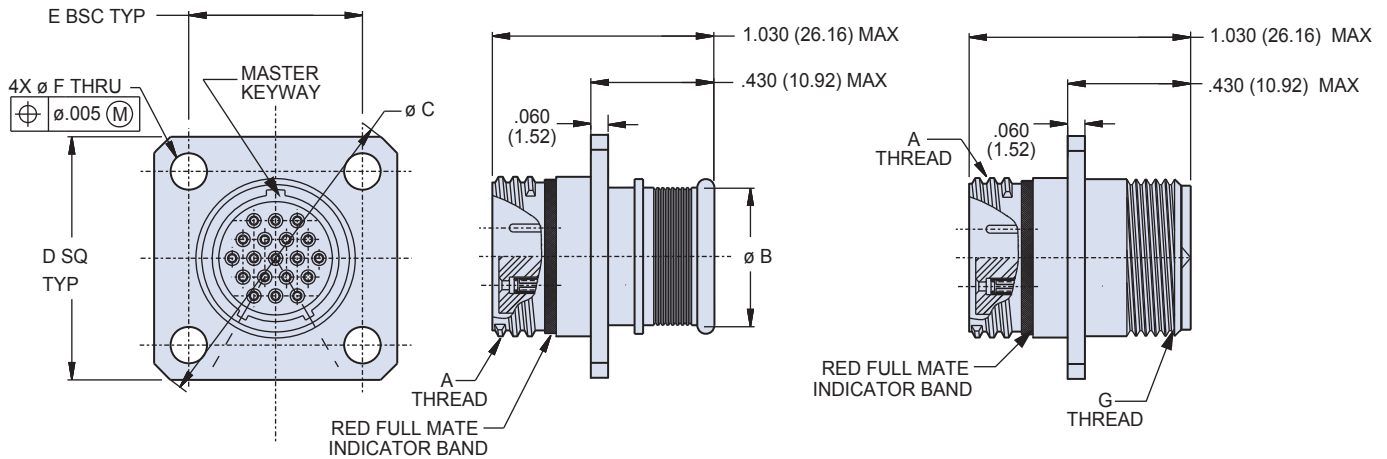
Dimensions in Inches (millimeters) are subject to change without notice.



Series 805 Mighty Mouse High-Speed Triple-Start ACME Thread Receptacle Connectors

805-022 and 805-023 Dimensions

Square flange, front or rear panel mount receptacle - shell style 02



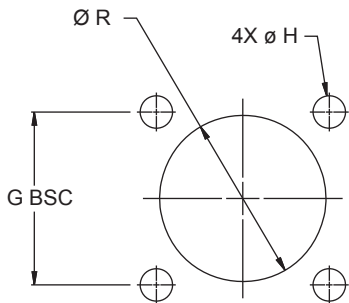
Integral Band Platform
805-022-02

Accessory Thread
805-023-02

Dimensions

Shell Size	A Thread	Ø B		Ø C		D SQ TYP		E BSC		Ø F		G Accessory Thread
		In.	mm.	In.	mm.	In.	mm.	In.	mm.	In.	mm.	
										± .003	± .08	
8	.5000-.1P-.3L-TS-2A	.316	8.05	1.150	29.21	.850	21.59	.660	16.76	.096 .091	2.44 2.31	.3750-32 UNEF-2A
9	.5625-.1P-.3L-TS-2A	.397	10.08	1.230	31.24	.913	23.19	.723	18.36			.4375-28 UNEF-2A
11	.6875-.1P-.3L-TS-2A	.519	13.18	1.410	35.81	1.039	26.39	.848	21.54			.5625-24 UNEF-2A
12	.7500-.1P-.3L-TS-2A	.585	14.86	1.500	38.10	1.099	27.91	.909	23.09			.6250-24 UNEF-2A

R



Square Flange Panel Cutout

Shell Size	N Flat		Ø H		Ø P	
	In.	mm.	In.	mm.	In.	mm.
8	.660	16.76	.096 .091	2.44 2.31	.575	14.61
					.571	14.50
9	.723	18.36			.700	17.78
					.696	17.68
11	.848	21.54	.762	19.35		
			.758	19.25		
12	.909	23.09	.825	20.95		
			.821	20.85		

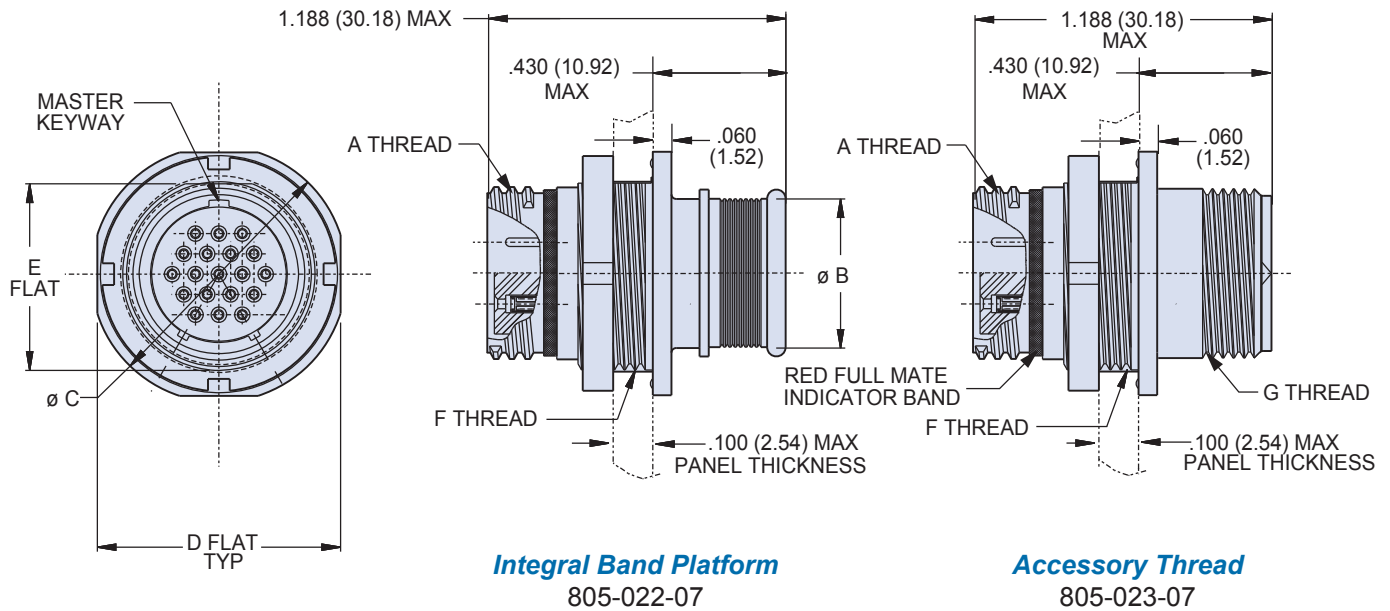
Dimensions in Inches (millimeters) are subject to change without notice.

**Series 805 Mighty Mouse High-Speed
Triple-Start ACME Thread Receptacle Connectors
805-022 and 805-023 Shell Style -07 Dimensions**



Series 805
High-Speed

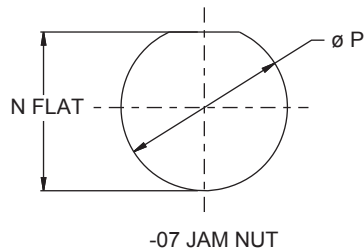
Jam nut rear panel mount receptacle - shell style 07



Integral Band Platform
805-022-07

Accessory Thread
805-023-07

Dimensions											
Shell Size	A Thread	Ø B		Ø C		D Flat		E Flat		F Thread	G Accessory Thread
		In.	mm.	In.	mm.	In.	mm.	In.	mm.		
8	.5000-1P-3L-TS-2A	.316	8.03	.760	19.30	.730	18.54	.535	13.59	.5625-28 UNEF-2A	.3750-32 UNEF-2A
9	.5625-1P-3L-TS-2A	.397	10.08	.880	22.35	.850	21.59	.661	16.79	.6875-28 UN-2A	.4375-28 UNEF-2A
11	.6875-1P-3L-TS-2A	.519	13.18	.955	24.26	.925	23.50	.721	18.31	.7500-28 UN-2A	.5625-24 UNEF-2A
12	.7500-1P-3L-TS-2A	.585	14.86	1.060	26.92	1.035	26.29	.784	19.91	.8125-28 UN-2A	.6250-24 UNEF-2A



Jam Nut Panel Cutout				
Shell Size	N Flat		Ø P	
	In.	mm.	In.	mm.
8	.547	13.89	.575	14.61
	.543	13.79	.571	14.50
9	.673	17.09	.700	17.78
	.669	16.99	.696	17.68
11	.733	18.62	.762	19.35
	.729	18.52	.758	19.25
12	.796	20.22	.825	20.95
	.792	20.12	.821	20.85

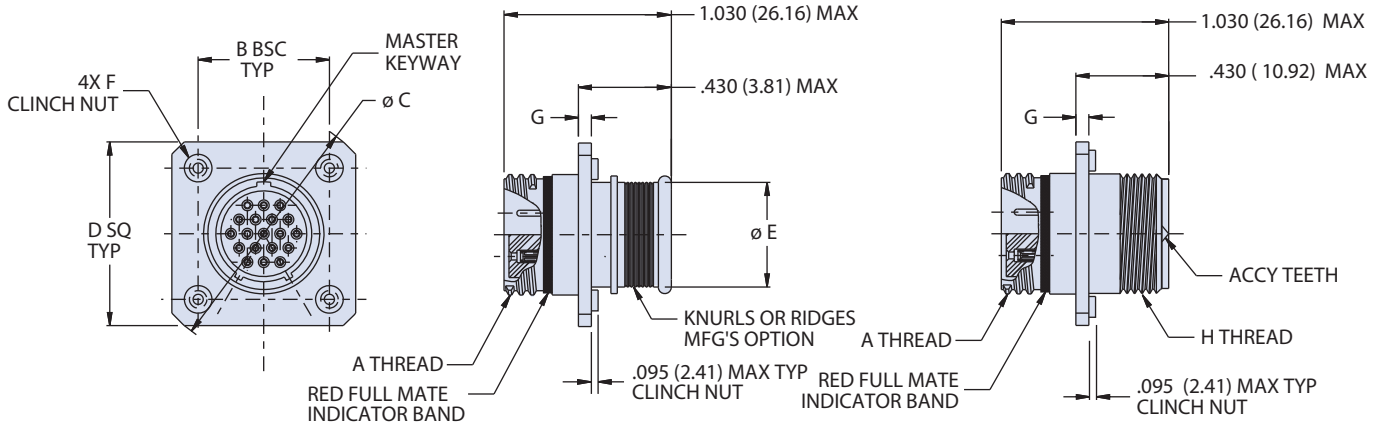
Dimensions in Inches (millimeters) are subject to change without notice.



Series 805 Mighty Mouse High-Speed Triple-Start ACME Thread Receptacle Connectors

805-022 and 805-023 Dimensions

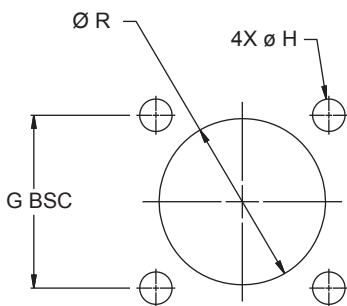
Square flange, rear panel mount receptacle - shell style 12 or 22



Integral Band Platform
805-022-12/22

Accessory Thread
805-023-12/22

Dimensions												
Shell Size	A Thread	B BSC		Ø C		D SQ		Ø E		F Clinch Nuts	G	H Thread
		in.	mm.	in.	mm.	in.	mm.	in.	mm.			
8	.5000-.1P-.3L-TS-2A	0.660	16.76	1.194	30.33	0.920	23.37	.316	8.03	2-56	.030 (.76)	.3750-32 UNEF-2A
9	.5625-.1P-.3L-TS-2A	0.723	18.36	1.283	32.59	0.983	24.97	.397	10.08			.4375-28 UNEF-2A
11	.6875-.1P-.3L-TS-2A	0.848	21.54	1.460	37.08	1.104	28.04	.519	13.18			.5625-24 UNEF-2A
12	.7500-.1P-.3L-TS-2A	0.909	23.09	1.546	39.27	1.169	29.69	.585	14.86			.6250-24 UNEF-2A



Square Flange Panel Cutout						
Shell Size	N Flat		Ø H		Ø P	
	In.	mm.	In.	mm.	In.	mm.
8	.660	16.76	.096	2.44	.575	14.61
					.571	14.50
9	.723	18.36			.696	17.68
					.700	17.78
11	.848	21.54	.091	2.31	.758	19.25
					.762	19.35
12	.909	23.09			.825	20.95
					.821	20.85

Dimensions in Inches (millimeters) are subject to change without notice.

SERIES 80 MIGHTY
MOUSE FIELD-
READY MICRO USB

SERIES 80 MIGHTY MOUSE MICRO USB SUPERSEAL™

Series 801 Mighty Mouse connectors with superior sealing, shielding and crimp contact termination



Features

- Superior sealing—IP68 when mated—for complete system protection against water, sand and dust
- Shielded/grounded coupler designs in both receptacle and plug connectors
- Crimp contact termination
- Integrated banding porch or connector accessory interface
- Micro USB “B” plugs and universal “AB” receptacles
- Double-start stub ACME threaded coupling standard. Consult factory for available QDC push-pull and triple-start threaded versions
- Less than half the size and weight compared to MIL-DTL-38999 type solutions



SuperSeal™ Mighty Mouse Series 801
Micro USB Connectors
Table of Contents and Introduction



Mighty Mouse
Micro USB

PRODUCT SELECTION GUIDE



Size #23 Contacts and Tools

Size #23 Pin Contacts for use with the Micro-B USB connectors in this catalog, plus appropriate tools and termination instructions.

Page T-5



801-082 and 801-083

SuperSeal™ Mighty Mouse Series 801 Plugs with Micro "B" USB Plug and Rear Crimp Contact Wire Termination

Page T-7



801-084 and 801-085

SuperSeal™ Mighty Mouse Series 801 Receptacles with Micro "AB" USB Receptacle with Rear Crimp Contact Wire Termination

Page T-8



801-087 and 801-088

SuperSeal™ Mighty Mouse Series 801 Plugs with Front and Rear Micro "B" USB Plugs

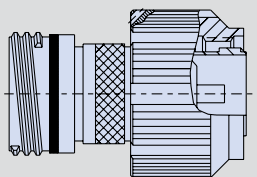
Page T-9



801-089 and 801-090

SuperSeal™ Mighty Mouse Series 801 Receptacles with Front and Rear Micro "AB" USB Receptacles

Page T-10



801-091

SuperSeal™ Mighty Mouse Series 801 Sav-Con® Connector Saver with Micro "B" USB Plug and Micro "AB" USB Receptacle

Page T-11

Dimensions in Inches (millimeters) are subject to change without notice.





**Crimp contact Micro-usb
connectors with outstanding
environmental performance
and EMI/RFI grounding**

- Significant size and weight reduction compared to MIL-DTL-38999 type USB/RJ45 solutions
- Rear-release crimp contact termination as well as USB/RJ45 jumper accommodation
- Superior sealing, IP67, in unmated condition compared to other available environmental circulars
- Superior grounding for electrostatic discharge and EMC
- Superior cable shield termination with integrated banding platform

SuperSeal™ Mighty Mouse Micro-B USB Connector Selector



Series 801 Plug Connector
with Micro-B USB



Series 801 In-Line Receptacle



Series 801
Square Flange Mount Receptacle



Series 801 Rear Panel
Jam Nut Mount Receptacle



Series 804 Plug Connector
with Micro-B USB



Series 804 In-Line Receptacle



Series 804
Rear Panel Jam Nut Mount
Receptacle



Series 804
Front Panel Jam Nut Mount
Receptacle



Plug-and-Play Micro-USB
Plug and Receptacle



Plug-and-Play Micro-USB
Booted Cordset



Spring-Loaded cover for Series 804 Jam Nut Receptacles

Dimensions in Inches (millimeters) are subject to change without notice.

SuperSeal™ Mighty Mouse Series 801 Micro USB Connectors

Materials and Performance Specifications



Mighty Mouse
Micro USB

NOTES

Material and Finishes

- Shell/coupling: High strength aluminum alloy
- Plating: Cadmium olive drab over electroless nickel; Nickel PTFE; Electroless nickel
- Contacts: Copper alloy, gold plated
- USB insulator: High grade rigid dielectric
- Seals: Silicon-based elastomer
- Stainless steel and other materials and finishes available. Please consult factory.

Shell Type and Sizes

- Mating: Double-start stub ACME threaded, QDC push-pull, and triple-start threaded
- Size: Shell size 8

Micro USB Electrical Specifications

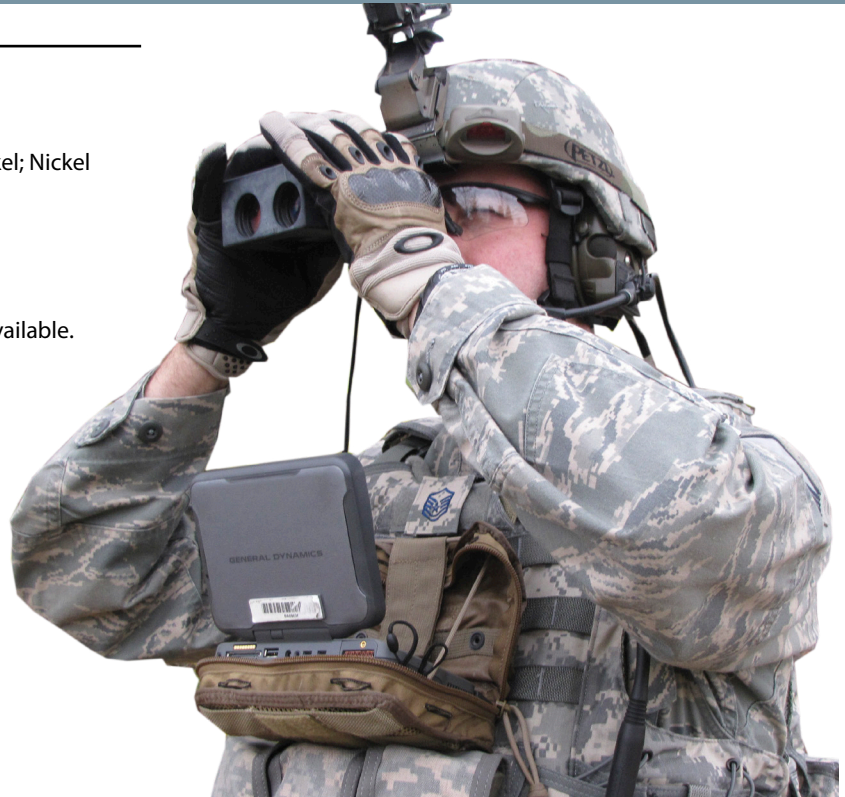
- Voltage Rating: 30 VAC (rms)
- Current Rating: Signal pins 1.0A, Power pins 1.8A
- D.W.V.: 600 VAC
- Shield Continuity: Continuous through coupler or continuous coupler to shell

Environmental / Mechanical Performance

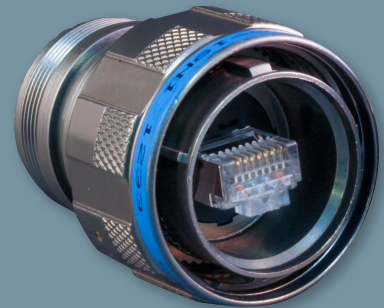
- Sealing: IP68 mated condition
- Operating Temperature Range: -40°C to +85°C
- Vibration: 37 g's
- Mechanical Shock: 300 g's
- Mating Cycles: 10,000

Options

- Complete range of protective covers, both metal and rubber are available



UP TO 71% WEIGHT SAVINGS!
UP TO 52% SIZE SAVINGS!



Series 801
Mighty Mouse
Micro USB

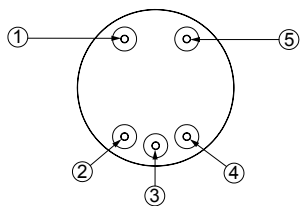
MIL-DTL-38999
Type RJ45



The series 801 connector offers up to 71% weight savings and 52% size reduction when compared to a D38999 Series III connector.

T

Crimp Contact Pin Layout



Pin Number	USB Designation	Typical Wiring Assignment
1	VBUS	Red
2	D-	White
3	D+	Green
4	ID	RA_PLUG_ID
5	GND	Black
Shell	SHIELD	DRAIN WIRE

Dimensions in Inches (millimeters) are subject to change without notice.



SuperSeal™ Mighty Mouse Series 801 Micro USB Connectors Performance Specifications

Performance Specifications		
Test Description	Performance Requirements/Specifications	Procedure Per MIL-DTL-38999 Or Other Standard
Dielectric withstanding voltage	Maximum leakage current = 2 milliamperes No evidence of electric breakdown or flashover	4.5.11.1 or 4.5.11.2 IAW EIA-364-20, Method A
Insulation resistance	At ambient temperature: >5000 megohms between any pair of contacts and between any contact and the shell. after altitude immersion = 1000 megohms min. after humidity = 100 megohms min. At elevated temperature: >1000 megohms	4.5.10.1 and 4.5.10.2 IAW EIA-364-21
Contact resistance	Terminal-to-terminal resistance of mated connector contacts shall not exceed 0.050 ohms.	4.5.14
Mating durability	500-1000 cycles depending on plating, with no mechanical damage. Dielectric, contact resistance and air pressure requirements as described above shall be met after 500-1000 mating cycles.	4.5.8
Contact retention	Individual contacts capable of withstanding at least 10 pounds axial load applied uniformly at one pound per second.	IAW EIA-364-29
Vibration and Shock	37 g's random vibration, 300 g's shock. No electrical discontinuity, no disengagement of mated connectors, backing off of the coupling mechanism, or evidence of cracking, breaking, or loosening.	4.5.23
Salt spray	5% solution, 34°–36°C. 48–1000 hours, depending on finish. Unmated connectors show no lifting of plated coating or exposure of basis material under 3X magnification which adversely affects performance.	4.5.13 EIA-364-26
Humidity	Cycle wired, mated connectors between 25° C at 80 % and 65° C at 50 %. Ramp time = 0.5 hour, dwell = 1.0 hour. 24 cycles.	4.5.26 EIA364-31, Method IV
Water immersion	1 Meter for 1 Hour, mated.	MIL-STD-810 Method 512
EMI Shielding	Series 801: Good	4.5.28 EIA-364-66

Dimensions in Inches (millimeters) are subject to change without notice.

SuperSeal™ Mighty Mouse Series 801 Plugs

with Micro “B” USB Plug and Rear Crimp Contact Wire Termination
801-082 and 801-083 Ordering Information



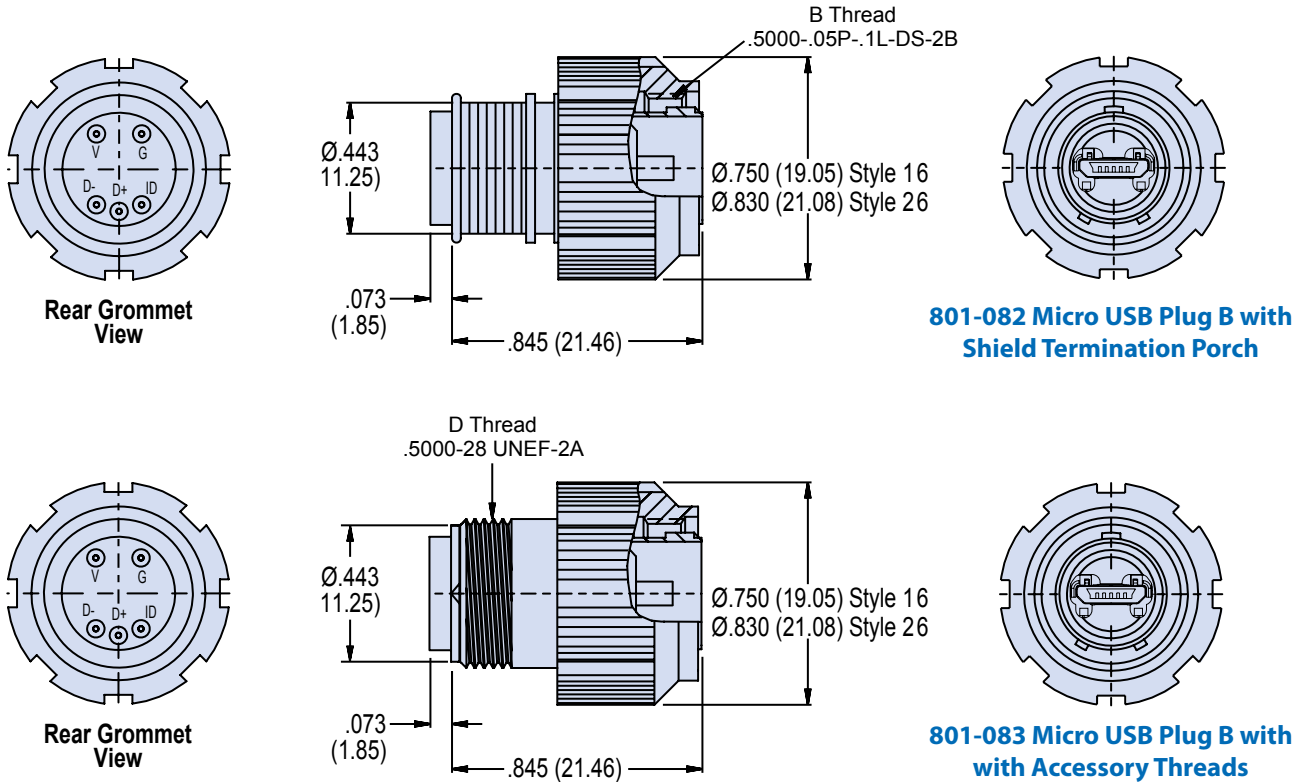
Mighty Mouse
Micro USB



**Plug, Micro B
USB Front and
Crimp Rear View**

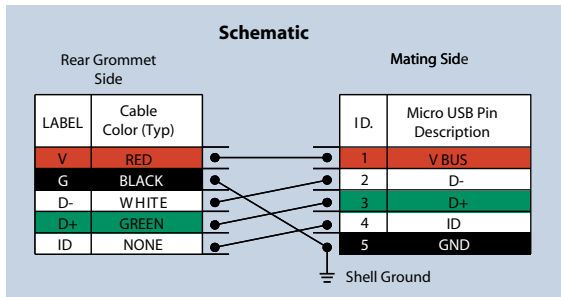
How To Order				
Sample Part Number	801-082	-16 MUSB	-M	A
Series (See Table I)	801-082 = Shield Termination Porch 801-083 = Accessory Threads			
Shell Style	16 = Plug with Anti-Decoupling Spring 26 = Self-Locking Plug with Ratchet Mechanism			
Shell Material and Finish	NF = Cadmium Olive Drab M = Electroless Nickel MT = Nickel PTFE ZNU = Black Zinc Nickel			
Shell Key Positions	A, B, C, D, E, F			

These Plug Connectors Mate with Glenair Receptacles 801-084, 801-085, and 801-090



**801-082 Micro USB Plug B with
Shield Termination Porch**

**801-083 Micro USB Plug B with
Accessory Threads**



Plug and Receptacle Key Positions		
	A°	B°
A	150°	210°
B	75°	210°
C	95°	230°
D	140°	275°
E	75°	275°
F	95°	210°

Dimensions in Inches (millimeters) are subject to change without notice.



SuperSeal™ Mighty Mouse Series 801 Receptacles

with Micro “AB” USB Receptacle
and Rear Crimp Contact Wire Termination
801-084 and 801-085 Ordering Information

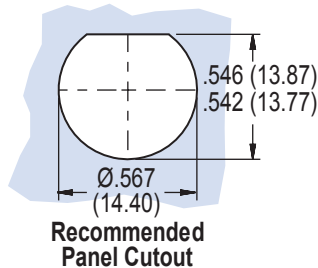
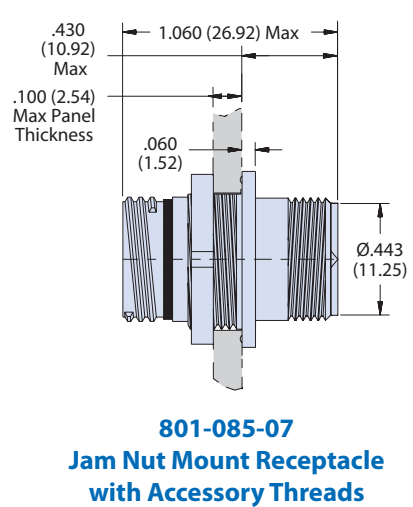
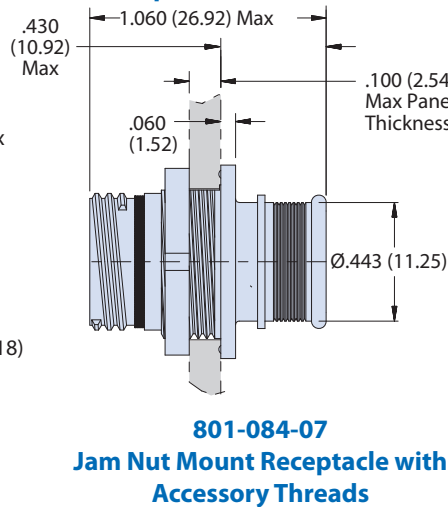
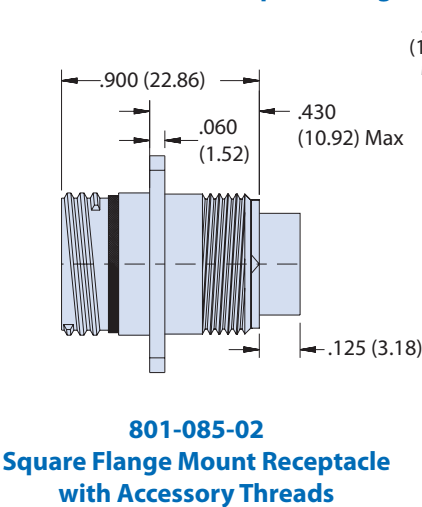
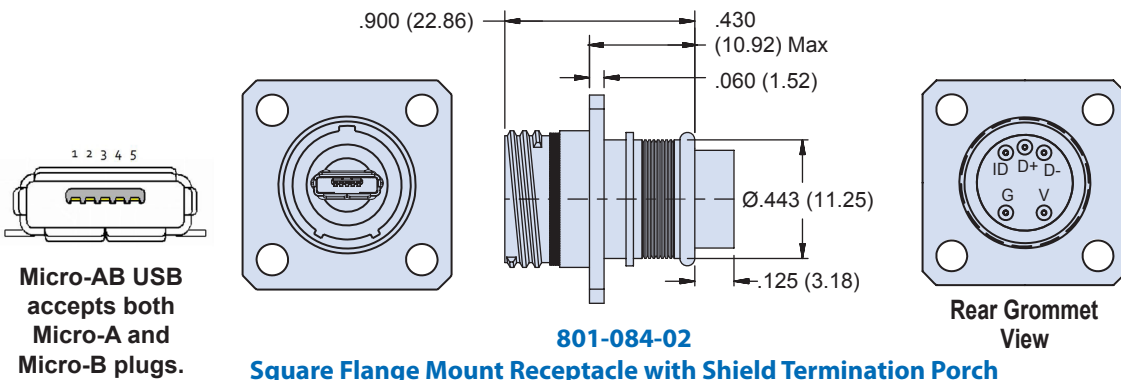


Square Flange Mount, Micro AB USB Receptacle

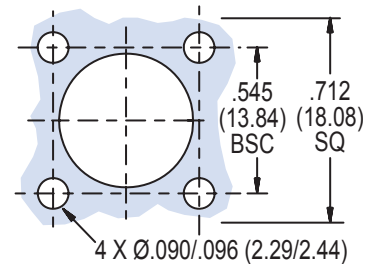
Rear Panel Jam Nut Mount, Micro AB USB Receptacle

How To Order				
Sample Part Number	801-084	-02 MUSB	-M	A
Series (See Table I)	801-084 = Shield Termination Porch 801-085 = Accessory Threads			
Shell Style	02 = Square Flange Mount Receptacle 07 = Jam Nut Mount Receptacle			
Shell Material and Finish	NF = Cadmium Olive Drab M = Electroless Nickel MT = Nickel PTFE ZNU = Black Zinc Nickel			
Shell Key Positions	A, B, C, D, E, F			

These Micro AB Receptacles Mate with Glenair Plugs 801-082, 801-083, 801-087 and 801-088



Schematic			
Rear Grommet Side		Mating Side	
LABEL	Cable Color (Typ)	ID	Micro USB Pin Description
V	RED	1	V BUS
G	BLACK	2	D-
D-	WHITE	3	D+
D+	GREEN	4	ID
ID	NONE	5	GND
		Shell Ground	



Dimensions in Inches (millimeters) are subject to change without notice.

SuperSeal™ Mighty Mouse Series 801 Plugs

with Front and Rear Micro “B” USB Plugs
801-087 and 801-088 Ordering Information



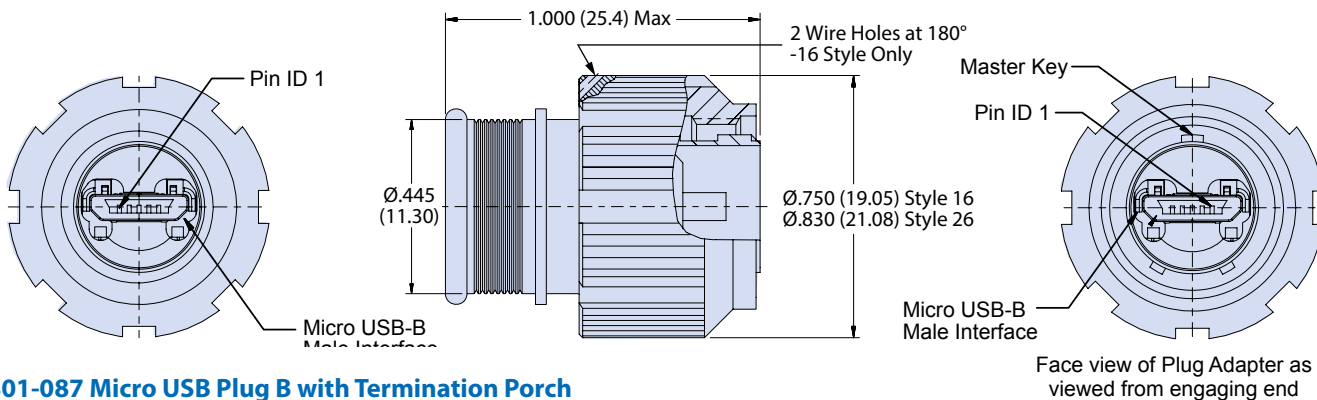
Mighty Mouse
Micro USB



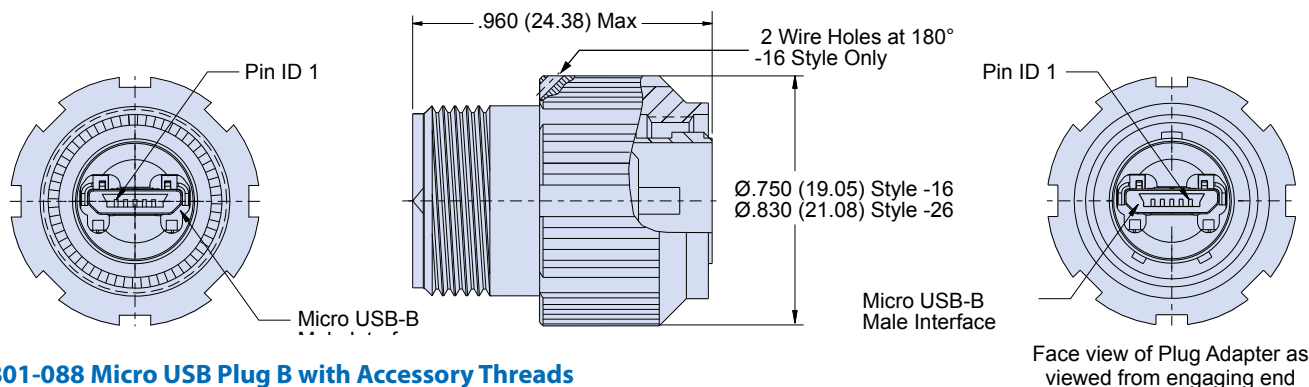
Plug, Micro B
USB Front and
Rear View

How To Order				
Sample Part Number	801-087	-02 MUSB	-M	A
Series (See Table I)	801-087 = Shield Termination Porch 801-088 = Accessory Threads			
Shell Style	16 = Plug with Anti-Decoupling Spring 26 = Self-Locking Plug with Ratchet Mechanism			
Shell Material and Finish	NF = Cadmium Olive Drab M = Electroless Nickel MT = Nickel PTFE ZNU = Black Zinc Nickel			
Shell Key Positions	A, B, C, D, E, F			

These Plugs Mate with Glenair Receptacles 801-084 and 801-085



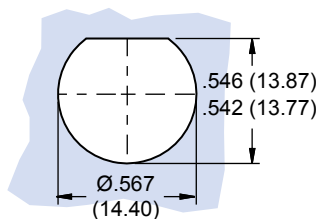
801-087 Micro USB Plug B with Termination Porch



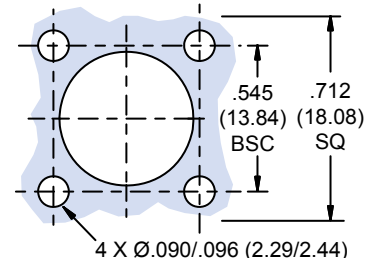
801-088 Micro USB Plug B with Accessory Threads

Plug Key Positions (Receptacle Positions Mirrored)		
	A°	B°
A	150°	210°
B	75°	210°
C	95°	230°
D	140°	275°
E	75°	275°
F	95°	210°

Jam Nut Cut-out



Square Flange Cut-out



Dimensions in Inches (millimeters) are subject to change without notice.



SuperSeal™ Mighty Mouse Series 801 Receptacles

with Front and Rear Micro “AB” USB Receptacles
801-089 and 801-090 Ordering Information



Inline Receptacle



Jam Nut Receptacle



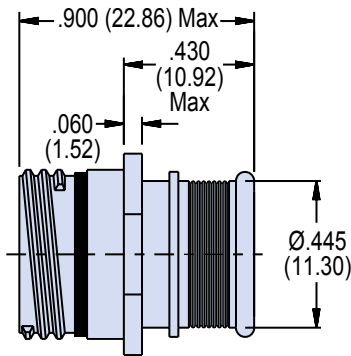
Square Flange Receptacle



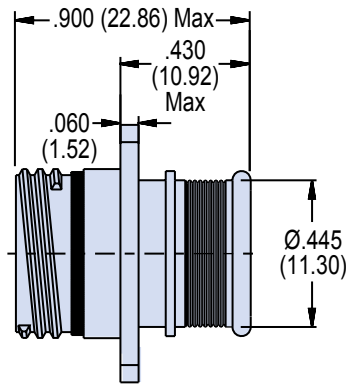
Equipped with Micro AB USB Receptacles, Front and Rear

How To Order				
Sample Part Number	801-089	-02 MUSB	-M	A
Series (See Table I)	801-089 = Shield Termination Porch 801-090 = Accessory Threads			
Shell Style	01 = In Line Receptacle 02 = Square Flange Front or Rear Mount Receptacle 07 = Jam Nut Rear Mount Receptacle			
Shell Material and Finish	NF = Cadmium Olive Drab M = Electroless Nickel MT = Nickel PTFE ZNU = Black Zinc Nickel			
Shell Key Positions	A, B, C, D, E, F			

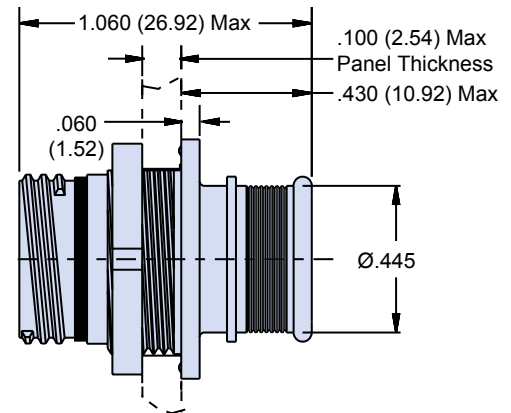
These Receptacle Connectors Mate with Glenair Plugs 801-082 and 801-083



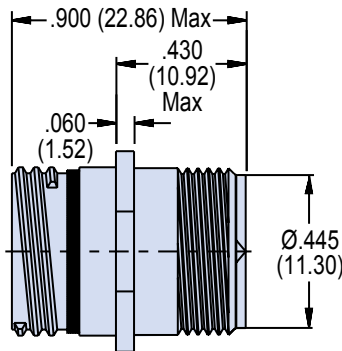
801-089-01 Inline



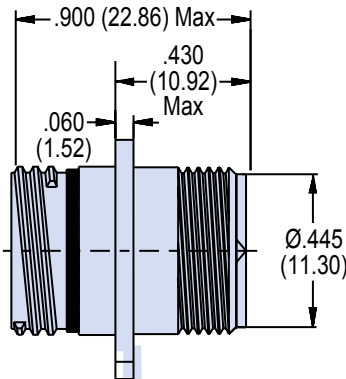
801-089-02 Square Flange Front or Rear Mount



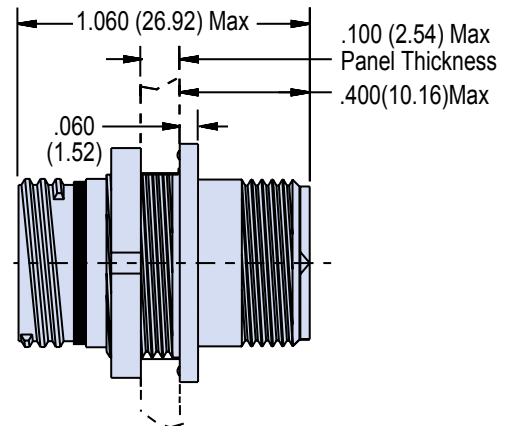
801-089-07 Jam Nut Rear Mount



801-090-01 Inline



801-090-02 Square Flange Front or Rear Mount



801-090-07 Jam Nut Rear Mount

Dimensions in Inches (millimeters) are subject to change without notice.

SuperSeal™ Mighty Mouse Series 801

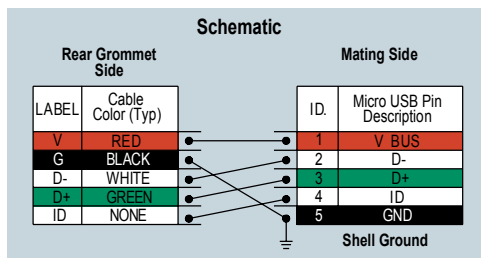
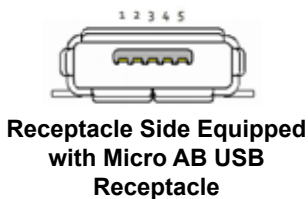
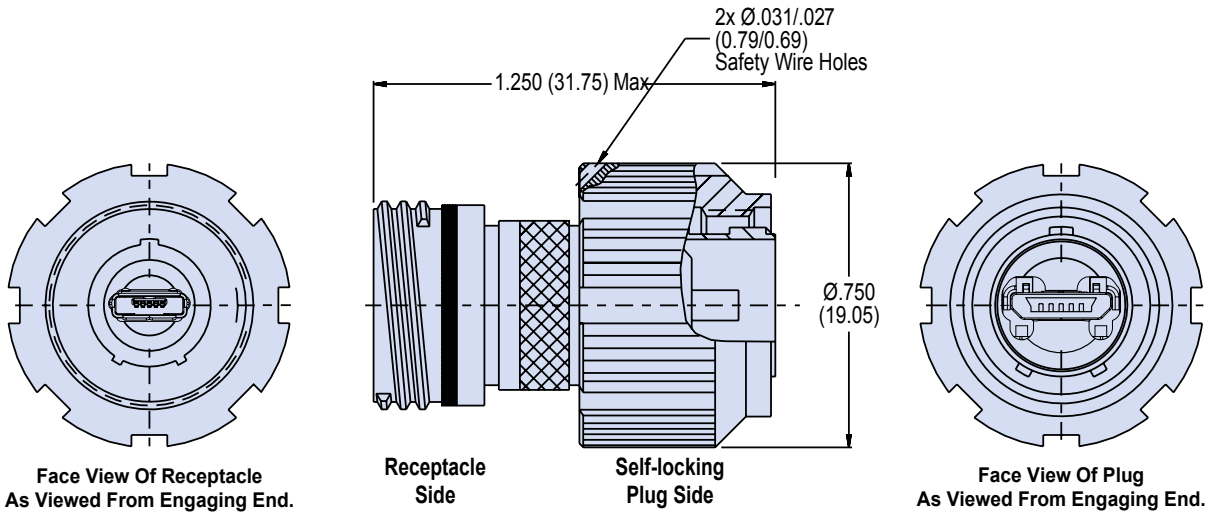
Sav-Con® Connector Saver with Micro “B” USB Plug and Micro “AB” USB Receptacle

801-091 Ordering Information



Mighty Mouse
Micro USB

How To Order			
Sample Part Number	801-091 -MUSB	-M	A
Series (See Table I)	801-091 = Plug/Receptacle Sav-Con® Connector Saver		
Shell Material and Finish	NF = Cadmium Olive Drab M = Electroless Nickel MT = Nickel PTFE ZNU = Black Zinc Nickel		
Shell Key Positions	A, B, C, D, E, F		



Alternate Key Positions		
	A°	B°
A	150°	210°
B	75°	210°
C	95°	230°
D	140°	275°
E	75°	275°
F	95°	210°

Dimensions in Inches (millimeters) are subject to change without notice.



SERIES 807

**MIGHTY
MOUSE**

MOUSEBUD™

Ultra small form factor spring contact
quick disconnect connector



The Glenair Mousebud™ is a low profile quick disconnect connector with ideal environmental, electrical and mechanical performance — optimized for rugged applications where reduced size and weight are a requirement. Available in plug and receptacle configurations, the spring contact equipped Mousebud™ is a seven channel 3 amp per line solution for such applications as heads-up display helmet applications, ruggedized soldier computers and field communications equipment. Equipped with a spring loaded latching mechanism, the series 807 Mousebud™ connects with a simple push and releases with a low-profile, thumb-activated lever on the plug coupling nut. Split-shell design of the plug provides easy access to wire terminations and an integrated banding porch eliminates the need for additional backshell accessories. Environmentally rated to IP67, the Mousebud™ is ready for application in a wide range of harsh application environments.

Glenair®

Glenair, Inc.
1211 Air Way
Glendale, CA
91201-2497
818-247-6000
sales@glenair.com
www.glenair.com

Series 80 Mighty Mouse
ASAP Cordsets for High-Speed Serial Data
Table of Contents and Introduction



PRODUCT SELECTION GUIDE

U



Series 80 ASAP Cordsets for High-Speed Ethernet

Page U-4



USB 2.0 Cordsets

Standard USB Type A Plug to Ruggedized Mighty Mouse Plug

Page U-11



Cat 5e Ethernet RJ45 Cordsets

Standard Shielded RJ45 Plug to Ruggedized Mighty Mouse plug

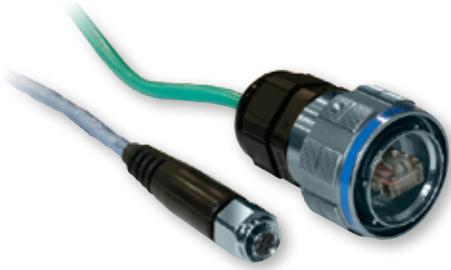
Page U-12

Dimensions in Inches (millimeters) are subject to change without notice.



Series 80 Mighty Mouse ASAP Cordsets for High-Speed Serial Data General Information

U



Mighty Mouse for 100BASE-T
compared to RJ45 Plug in
MIL-DTL-38999 Connector

- **Compact Weight-Saving Design with size #23 Contacts**
- **USB 2.0, 100BASE-T, 1000BASE-T, IEEE 1394**
- **Environmentally Protected, Robust Construction**
- **Aerospace-Grade Cable Meets FAA FAR 25 Flammability**
- **Tactical-Grade Cable Meets Low-Toxicity Requirements**
- **Silver-Coated Copper Braid Shield With 95% Coverage over Aluminized Mylar Shield**
- **Threaded Coupling, Quick-Disconnect or Bayonet Mating**

Glenair's Series 80 ASAP Cordsets for High-Speed Ethernet, USB and Firewire Applications

High-reliability aerospace and defense systems have adopted commercial data protocols such as Ethernet and USB; however, commercial-grade connectors such as RJ45 modular plugs are not suitable for airframe or tactical deployments where shielding, environmental protection, and mechanical robustness are prime considerations. The Mighty Mouse connector, because of its compact size, ruggedness and in-stock availability, is widely deployed

for 100BASE-T, 1000BASE-T and USB 2.0 applications on commercial air transport, military airframe, unmanned vehicles, and dismounted soldiers. This section of the Series 80 catalog provides ordering information and technical information on Mighty Mouse cordsets for Ethernet and other high-speed data applications. These ASAP cordsets in this section feature military-grade construction with the quickest delivery in the industry.



Full-Duplex Ethernet Switch
with Glenair Series 801 4 Pin
Receptacles and Glenair 38999
Fiber Optic Connectors

Dimensions in Inches (millimeters) are subject to change without notice.

Series 80 Mighty Mouse ASAP Cordsets for High-Speed Serial Data Connector Selection Guide



**100BASE-T Cordset
with 4 Pin Series 800 Connector**

Upgrade commercial high-speed serial interconnects to mil-spec performance. Glenair's ASAP "Mighty Mouse" cordsets are available for 100BASE-T, Gigabit Ethernet, IEE 1394 and USB 2.0 applications. These cordsets combine aerospace-grade data cables with Series 80 "Mighty Mouse" harsh environment connectors for maximum performance and minimum size.

Three strain relief options – Standard overmolded cables offer excellent strain-relief and cable sealing. Or, choose heatshrink boots for smallest form factor. If repairability and ruggedness are important, choose machined aluminum EMI backshells.

FEP jackets meet FAA flammability requirements. Or, choose **low smoke / zero halogen polyurethane jackets** for mass transit or shipboard applications.

Three reasons to specify Glenair Series 80 cordsets

1 Simplified Ordering: No need to buy cable, connectors, termination tools and strain reliefs.

2 Guaranteed Performance: All cordsets are 100% electrically tested.

3 Faster Delivery: Cable and connector components are in stock.

How To Order Cordsets

Step 1: Select the Connector Series

Table 1 lists the five types of Series 80 connectors. For more information on selecting a connector, please refer to the connector selection chart on the following page. This section does not contain ordering information for series 802 AquaMouse™ cordsets. Please contact Glenair for information on hazardous environment high pressure cables for the 802 Series.

Step 2: Select the Cable

Table 2 contains specifications for standard data cables. The cable type also determines the connector layout. **4 pin connectors are used for 4 wire cables, and 10 pin connectors are used for 8 wire cables.**

Step 3: Select a Cable Jacket

Table 3 shows available jacket options. Choose FEP fluorocarbon jackets for airframe and avionics applications, or choose low smoke/zero halogen polyurethane jackets for soldier systems, vehicles, and transit systems.

Step 4: Select a Cable-To-Connector Interface

Table 3 provides three ways to attach the cable to the connector:

1. Polyamide boot, overmolded with flexible strain relief
2. Aluminum backshell, shielded, watertight and removable
3. Heat-shrink boot, low smoke/ zero halogen

Step 5: Select a Connector Configuration

Table 1 shows connector codes for specifying plug versus receptacle and pin versus socket contacts. Add a plating code, keying option and length.

Dimensions in Inches (millimeters) are subject to change without notice.



Series 80 Mighty Mouse ASAP Cordsets for High-Speed Serial Data How To Order

U

How To Order										
Sample Part Number	801-024	B	F	P	A	C	M	P	Z	-72
Series (See Table I)	<p>800-035 = Series 800 Cordset, UNF Threaded Coupling, Hex Nut 801-024 = Series 801 Cordset, Double-Start Threaded Coupling 803-007 = Series 803 Cordset, Push-Pull With Bayonet Lock Coupling 804-013 = Series 804 Cordset, Quick-Disconnect Push-Pull 805-007 = Series 805 Cordset, Tri-Start Threaded Coupling with Ratchet and Ground Spring</p>									
Cable	<p>A = 100BASE-T Ethernet 4 Cond. UTP, OAL Shield 4 Pin Connector B = 100BASE-T Ethernet Quad, OAL Shield, 4 Pin Connector C = 1000BASE-T Gigabit Ethernet 8 Cond. UTP, OAL Shield, 10 Pin Connector D = IEEE 1394 Hi-Speed Quad 110 Ohm, 4 Pin Connector E = USB 2.0, Two #22 Power, One STP #26 F = Two STP, 100 Ohm, OAL Shield, 4 Pin Connector G = Four STP, 100 Ohm, OAL Shield, 10 Pin Connector</p>									
Cable Jacket	<p>F = FEP Fluorocarbon Jacket, Translucent Blue P = Low Smoke/ Zero Halogen Polyurethane Jacket, Black</p>									
Strain Relief	<p>P = Polyamide Overmold B = Metal Backshell H = Heat-Shrink Boot, Low Smoke/ Zero Halogen</p>									
Connector End A P1	<p>A = Plug, with Male Pin Contacts B = Plug, with Female Socket Contacts</p>					<p>C = Receptacle, with Male Pin Contacts D = Receptacle, with Female Socket Contacts</p>				
Connector End B P2	<p>A = Plug, with Male Pin Contacts B = Plug, with Female Socket Contacts C = Receptacle, with Male Pin Contacts</p>					<p>D = Receptacle, with Female Socket Contacts N = No Connector (Single-Ended)</p>				
Shell Material / Finish	<p>M = Aluminum/Electroless Nickel NF = Aluminum/Cadmium with Olive Drab Chromate ZN = Aluminum/Zinc-Nickel with Olive Drab Chromate ZNU = Aluminum/Zinc-Nickel with Black Chromate Z1 = Stainless Steel/Passivated</p>									
Protective Cover	<p>P = Metal Protective Covers Included N = No Covers Supplied</p>									
Shell Pol. Pos.	<p>Polarizing position depends on the connector series For Series 800 and 803: N = Normal X, Y, Z For Series 801 and 805: A = Normal B, C, D For Series 804: Omit for Single Master Key A = Normal B, C, D</p>									
Overall Length	Overall Length In Inches 12 Inch Min.									

Dimensions in Inches (millimeters) are subject to change without notice.

Series 80 Mighty Mouse ASAP Cordsets for High-Speed Serial Data Cable and Jacket Specifications



Table 2: Cable Specifications

Cable Code	A	B	C	D	E	F	G
Cable Type	100BASE-T	100BASE-T	1000BASE-T	IEEE 1394	USB 2.0	100 Ω STP	100 Ω STP
Construction	UTP	Quad	UTP	Quad	STP	STP	STP
Number of Pairs	2	-	4	-	1	2	4
Number of Conductors	4	4	8	4	4	4	8
Conductor AWG	24	24	24	24	26 & 22	26	26
Conductor Material	SCCA	SCCA	SCCA	SCCA	SCCA	SCCA	SCCA
Conductor Insulation	FEP	FEP	FEP	FEP	FEP	FEP	FEP
Inner Shield	AM	AM	AM	AM	SCCB	AM	AM
Outer Shield	SCCB	SCCB	SCCB	SCCB	SCCB	SCCB	SCCB
Shield Coverage	95% Min.	95% Min.	95% Min.	95%	95%	95%	95%
Impedance	100 ± 10 Ω	100 ± 10 Ω	100 ± 10 Ω	110 ± 7 Ω	90 ± 13 Ω	100 ± 10 Ω	100 ± 10 Ω
Capacitance (pF/ft.)	13.0	13.0	14.5	12.5	13.0	13.0	13.0
Propagation Velocity	80%	80%	70%	80%	70%	80%	80%
Attenuation (dB/100 ft.) 10MHz	3.1	3.1	3.1	2.9			
Attenuation dB/100 ft.) 100 MHz	8.0	8.0	8.0	7.5			
Attenuation (dB/100 ft.) 500 MHz	-	-	-	15.5			
Attenuation (dB/100 ft.) 1GHz	-	-	-	22.5			
Near-End Crosstalk dB @10MHz	47	47	47.0	47.0			
Near-End Crosstalk dB @100MHz	32	32	32.0	32.0			
Dielectric Withstanding Voltage	1500 VAC	1500 VAC	1500 VAC	1500 VAC	1500 VAC	1500 VAC	1500 VAC

AM – Aluminum Mylar SCCA – Silver-Coated Copper Alloy SCCB – Silver-Coated Copper Braid.

Attenuation values are nominal. Crosstalk values are minimum.

Table 3: Cable Jacket Options




Jacket Code	F		P	
Jacket Material	Extruded FEP		Low Smoke/ Zero Halogen Polyurethane	
Typical Use	Airframe, Avionics, Missile		Dismounted Soldier, Shipboard, Armored Vehicle, Railcar	
UL Rating	94 V-0		94 V-0	
FAA Flammability	FAR 25.853(a) FAR 25.869(a)(4)		FAR 25.853(a)	
Temperature Range	-65° to +200° C.		-30 to +105° C.	
Resistance to Solvents	Excellent		Excellent	
Flexibility	Good		Excellent	
Abrasion Resistance	Excellent		Excellent	
Color	Translucent Blue		Black	
Smoke Index NES 711			24	
Toxicity Index NES 713			3.9	
Oxygen Index ASTM D-2863	95%		28%	
Overall Cable Diameter	Cable Code	Diameter	Cable Code	Diameter
	A	.210 (5.33)	A	.238 (6.05)
	B	.175 (4.45)	B	.218 (5.54)
	C	.265 (6.73)	C	.311 (7.90)
	D	.190 (4.83)	D	.236 (5.99)
	E	.200 (5.08)	E	.250 (6.35)
	F	.250 (6.35)	F	.300 (7.62)
G	.298 (7.57)	G	.344 (2.18)	

Dimensions in Inches (millimeters) are subject to change without notice.

Series 80 Mighty Mouse ASAP Cordsets for High-Speed Serial Data Strain Relief Specifications

U

Table 4: Cable-To-Connector Interface (Strain Relief)

Strain Relief Code	P	B	H
			
	Polyamide Overmold	Aluminum Backshell	Heat-Shrink Boot
Material	Polyamide	6061-T6 Aluminum	Polyolefin
Max. Operating Temperature	105° C.	150° C.	105° C.
Hardness	75 Shore A	N/A	
Low temperature Brittle Point	< -45° C.	N/A	< -65° C.
Volume Resistivity	>10 ¹² Ohms cm	N/A	
Dielectric Strength	>12 kV/mm	N/A	>12 kV/mm
Flammability (UL 94)	V0 Vertical Burn	N/A	V0 Vertical Burn
Smoke Index (NES 711)	<10	N/A	9.0
Toxicity Index (NES 713)	<7	N/A	1.9
Resistance to Ozone	Excellent	N/A	Excellent
Oil Resistance	Good	N/A	Good
Polar Solvents (alcohol)	Poor	N/A	Good
Non-polar Solvents	Good	N/A	Good
Fuel Resistance	Good	N/A	Fair
Immersion	1 meter MIL-STD-810 Method 512	IP67	1 meter MIL-STD-810 Method 512
Part Number	(Not Sold Separately)	390MS076	770-003

Dimensions in Inches (millimeters) are subject to change without notice.

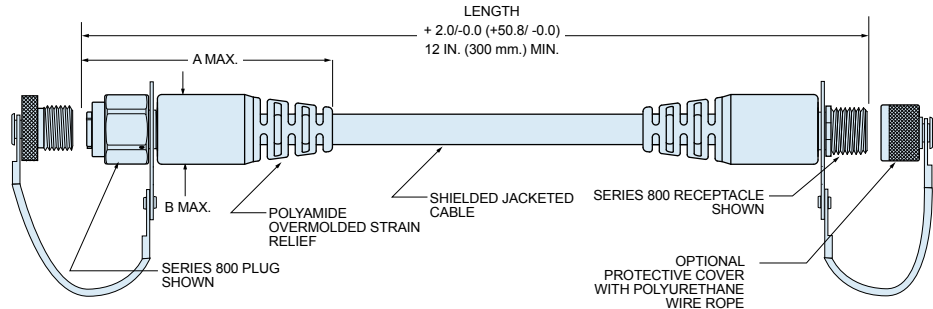
Series 80 Mighty Mouse ASAP Cordset Dimensions Strain Relief Codes P, B and H



ASAP Cordset Dimensions

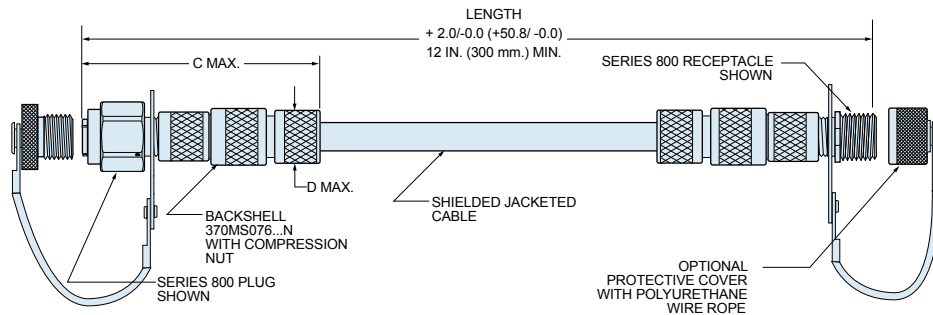
Strain relief Code P

Polyamide
Overmold



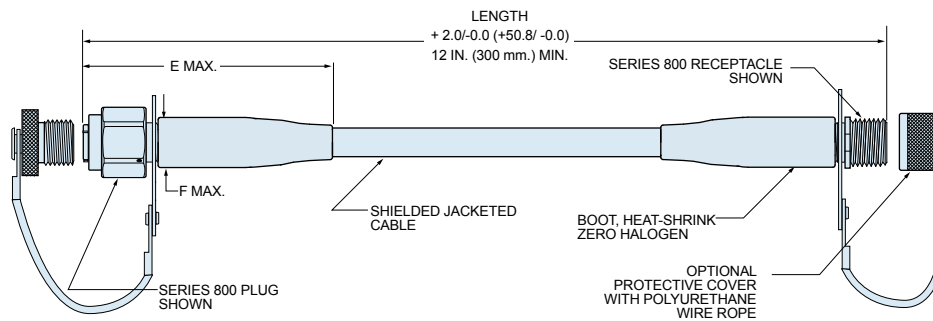
Strain relief Code B

Metal
Backshell



Strain relief Code H

Heatshrink
Boot



Dimensions

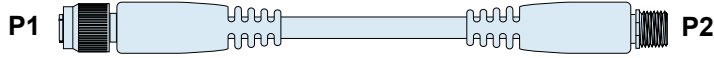
Cable Code	Type	Number of Connector Pins	A Max.		B Max.		C Max.		D Max.		E Max.		F Max.	
			In.	mm.	In.	mm.	In.	mm.	In.	mm.	In.	mm.	In.	mm.
A	2 Pair UTP 100 Ω	4	2.500	63.50	.560	14.22	2.100	53.34	.530	13.46	1.600	40.64	.470	11.94
B	Quad 100 Ω	4	2.500	63.50	.560	14.22	2.100	53.34	.530	13.46	1.600	40.64	.470	11.94
C	4 Pair UTP 100 Ω	10	2.500	63.50	.680	17.27	2.100	53.34	.600	15.24	1.600	40.64	.580	14.73
D	Quad 110 Ω	4	2.500	63.50	.560	14.22	2.100	53.34	.530	13.46	1.600	40.64	.470	11.94
E	USB 90 Ω	4	2.500	63.50	.560	14.22	2.100	53.34	.600	15.24	1.600	40.64	.470	11.94
F	2 Pair STP 100 Ω	4	2.500	63.50	.560	14.22	2.100	53.34	.600	15.24	1.600	40.64	.470	11.94
G	4 Pair STP 100 Ω	10	2.500	63.50	.680	17.27	2.100	53.34	.600	15.24	1.600	40.64	.580	14.73

Dimensions in Inches (millimeters) are subject to change without notice.

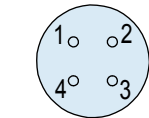
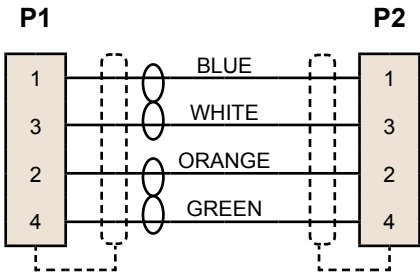


Series 80 Mighty Mouse ASAP Cordset Wiring Schematics Type A, B and C Cables

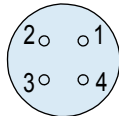
Wiring Schematics For Type A and Type B Cable



**WIRING DIAGRAM
CABLE TYPE A
100BASE-T UTP**

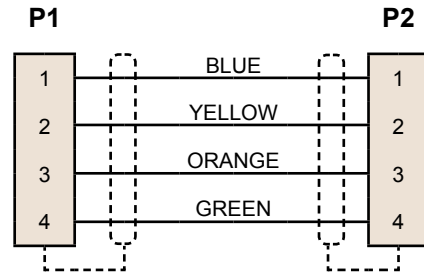


Pin Connector
Mating Face



Socket Connector
Mating Face

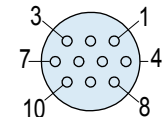
**WIRING DIAGRAM
CABLE TYPE B
100BASE-T QUAD**



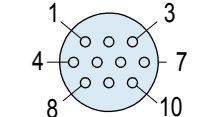
Wiring Schematic for Type C Cable for Gigabit Ethernet Applications

**WIRING DIAGRAM
CABLE TYPE C
1000BASE-T UTP**

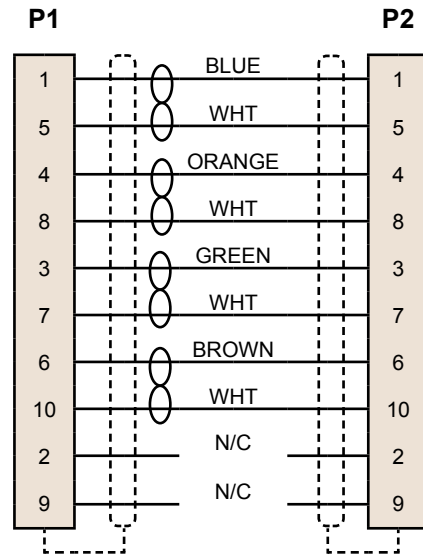
10 Pin Connector
for Gigabit
Ethernet



Pin Connector
Mating Face



Socket Connector
Mating Face



Dimensions in Inches (millimeters) are subject to change without notice.

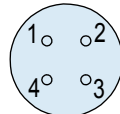
Series 80 Mighty Mouse ASAP Cordset Wiring Schematics Type D and E Cables



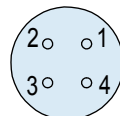
Wiring Schematic for Type D Quad Cable For IEEE 1394 Applications



4 Pin Connector for IEEE 1394

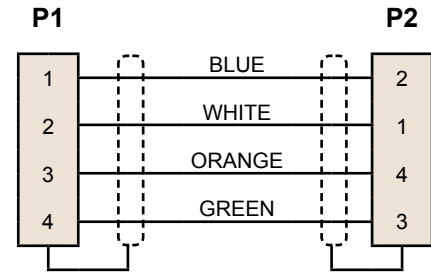


Pin Connector Mating Face

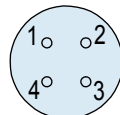
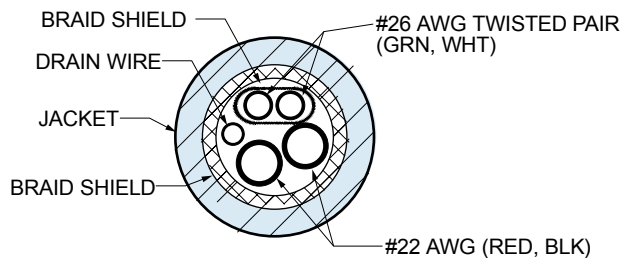
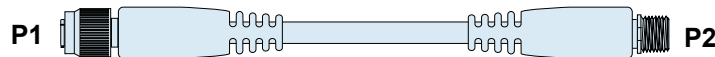


Socket Connector Mating Face

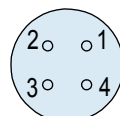
WIRING DIAGRAM CABLE TYPE D 1394 QUAD



Wiring Schematic for Type E Cable For USB 2.0 Applications

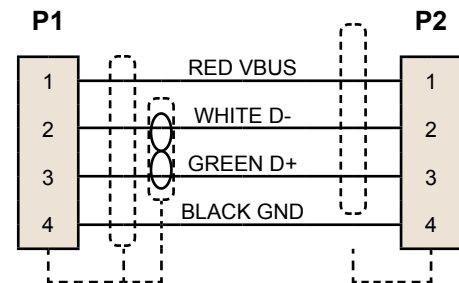


Pin Connector Mating Face



Socket Connector Mating Face

WIRING DIAGRAM CABLE TYPE E USB 2.0

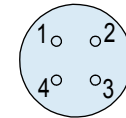
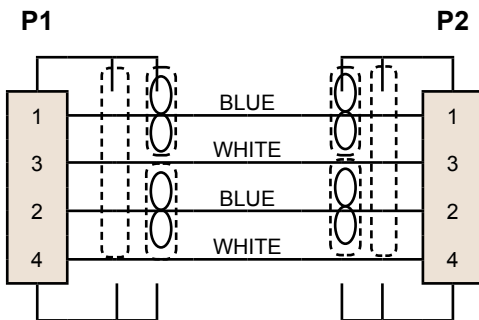


Dimensions in Inches (millimeters) are subject to change without notice.

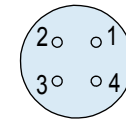
Wiring Schematic for Type F Cable for 100 Ohm STP Applications

U

WIRING DIAGRAM CABLE TYPE F TWO 100 OHM SHIELDED TWISTED PAIRS WITH OVERALL SHIELD



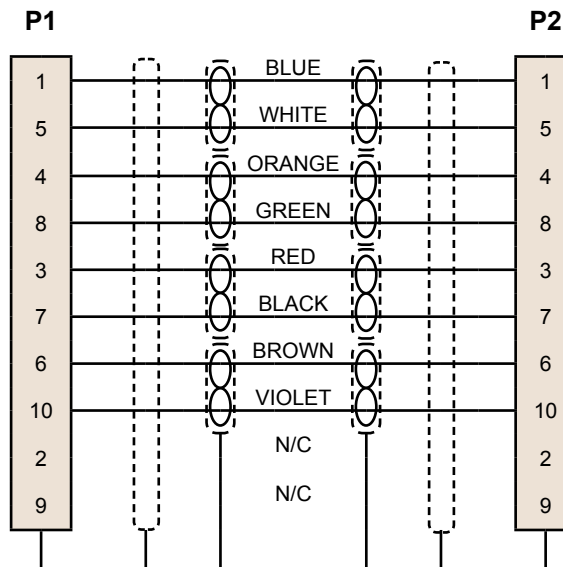
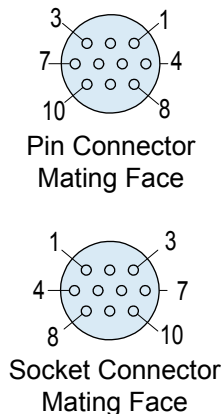
Pin Connector
Mating Face



Socket Connector
Mating Face

Wiring Schematic For Type G Cable For 100 Ohm STP Applications

WIRING DIAGRAM CABLE TYPE G FOUR STP



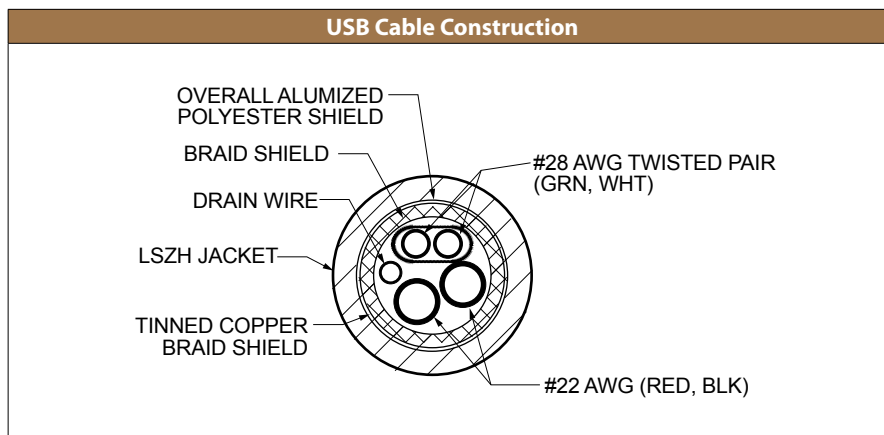
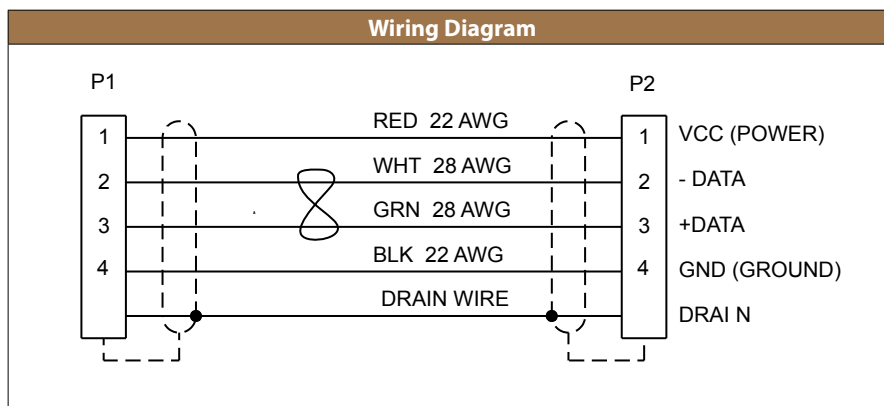
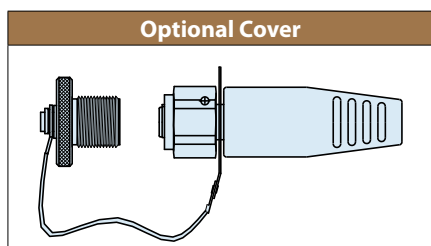
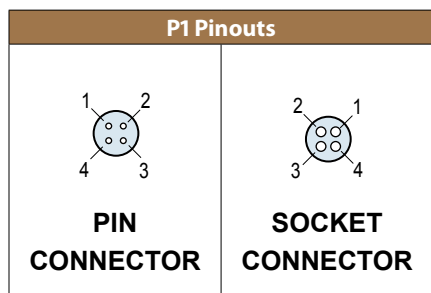
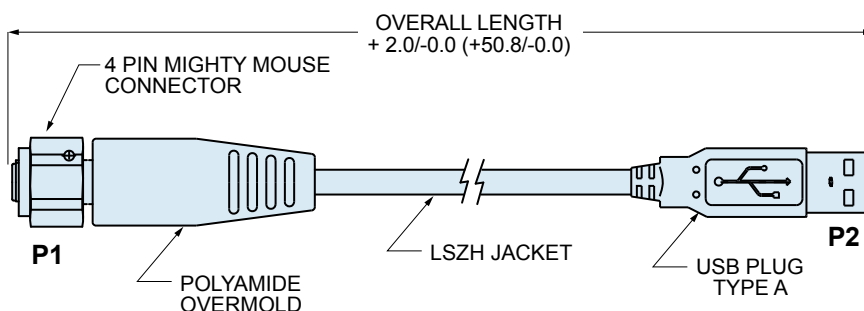
Dimensions in Inches (millimeters) are subject to change without notice.

Series 80 Mighty Mouse USB 2.0 Cordsets



Cordset, USB Type A plug to Mighty Mouse connector

These USB 2.0 cordsets have a standard USB type A plug on one end and a ruggedized Mighty Mouse plug on the other. Low smoke zero halogen cable is UL VW-1 rated. #22 AWG power leads provide maximum current and low resistance. #28 AWG twisted pair data leads help reduce crosstalk. Rugged flexible molded cable ends provide strain relief and ingress protection. 100% tested for continuity and insulation resistance.



Dimensions in Inches (millimeters) are subject to change without notice.








Series 80 Mighty Mouse USB 2.0 Cordsets

U

How To Order

Sample Part Number	801-028	A	ZNU	N	A	-72
Series (See Table I)	<p>800-036 = Series 800 Cordset, UNF Threaded Coupling, Hex Nut 801-028 = Series 801 Cordset, Double-Start Threaded Coupling 803-011 = Series 803 Cordset, Push-Pull With Bayonet Lock Coupling 804-016 = Series 804 Cordset, Quick-Disconnect Push-Pull 805-012 = Series 805 Cordset, Tri-Start Threaded Coupling with Ratchet and Ground Spring</p>					
Shell Style	<p>A = Plug, with Male Pin Contacts B = Plug, with Female Socket Contacts C = Receptacle, with Male Pin Contacts D = Receptacle, with Female Socket Contacts</p>					
Shell Material and Finish	<p>M = Aluminum / Electroless Nickel NF = Aluminum / Cadmium with Olive Drab ZNU = Aluminum / Zinc-Nickel with Black Chromate MT = Aluminum / Nickel-PTFE Z1 = Stainless Steel / Passivated</p>					
Protective Cover	<p>P = Metal Protective Cover, with Lanyard (for Mighty Mouse Connector) N = No Covers Supplied</p>					
Shell Polarizing Position	<p>Polarizing position depends on the connector series. For Series 800 and 803: N (Normal), X, Y or Z For Series 801 and 805: A (Normal), B, C, D For Series 804: Omit (Leave Blank) for Single Master Key A (Normal), B, C, D</p>					
Overall Length	<p>Overall Length In Inches 18, 36, 72, 120</p>					

Table I: Series

				
800-036 Series 801 Cordset, UNF Threaded Coupling, Hex Nut	801-028 Series 801 Cordset, Double- Start Threaded Coupling	803-011 Series 803 Cordset, Push-Pull With Bayonet Lock Coupling	804-016 Series 804 Cordset, Quick- Disconnect Push-Pull	805-012 Series 805 Cordset, Tri-Start Threaded Coupling with Ratchet and Ground Spring

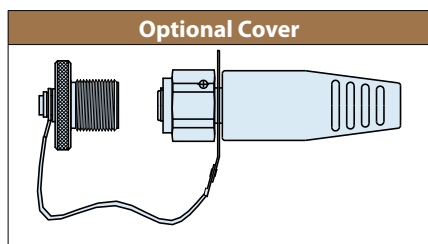
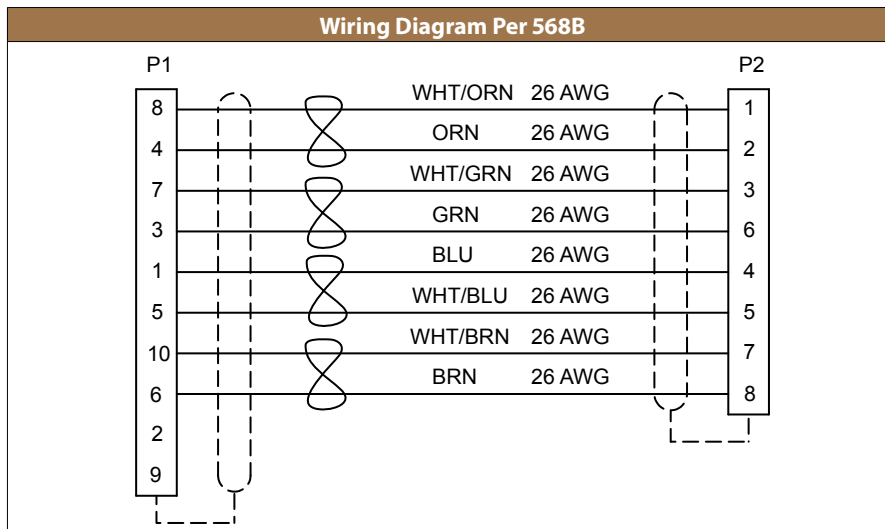
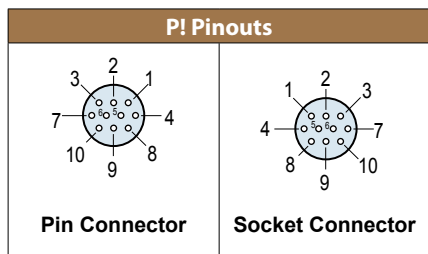
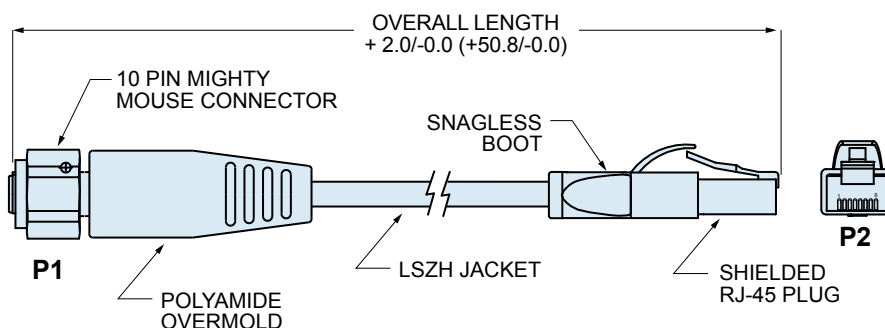
Dimensions in Inches (millimeters) are subject to change without notice.

Series 80 Mighty Mouse Cat 5e Ethernet RJ45 Cordsets



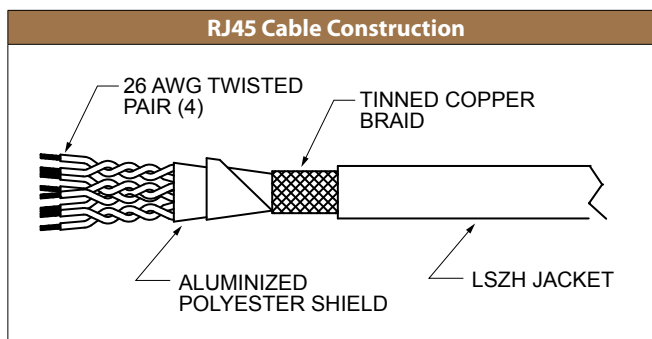
Cordset, Cat 5e RJ45 to Mighty Mouse connector

These Cat 5e cordsets have a standard shielded RJ45 modular plug on one end and a ruggedized Mighty Mouse 10 pin plug on the other end. Low smoke zero halogen cable is UL VW-1 rated and RoHS compliant. Certified to TAI/EIA-568-B.2. Cable has four #26 twisted pairs plus tinned copper braid shield. Mighty Mouse connector is overmolded with polyamide for strain relief and ingress protection. RJ45 plug has molded snagless boot and 50 microinches gold plating on contacts. 100% tested for continuity and insulation resistance. Operating temperature -20°C to +60°C.



RJ45 Materials and Finishes

RJ45 Housing	Polycarbonate, clear, UL94V-0
RJ45 Contacts	Phosphor bronze, 50 μinches gold over 100 μinches Ni plating
Cable Jacket	LSZH, black
RJ45 Shield	Brass, nickel plated
RJ45 Boot	LSZH thermoplastic



Dimensions in Inches (millimeters) are subject to change without notice.



Series 80 Mighty Mouse Cat 5e Ethernet RJ45 Cordsets

Ordering Information

How To Order

Sample Part Number	801-029	B	MT	N	A	-36			
Series (See Table I)	<p>800-037 = Series 800 Cordset, UNF Threaded Coupling, Hex Nut 801-029 = Series 801 Cordset, Double-Start Threaded Coupling 803-012 = Series 803 Cordset, Push-Pull With Bayonet Lock Coupling 804-017 = Series 804 Cordset, Quick-Disconnect Push-Pull 805-013 = Series 805 Cordset, Tri-Start Threaded Coupling with Ratchet and Ground Spring</p>								
Shell Style	<p>A = Plug, with Male Pin Contacts B = Plug, with Female Socket Contacts C = Receptacle, with Male Pin Contacts D = Receptacle, with Female Socket Contacts</p>								
Shell Material and Finish	<p>M = Aluminum / Electroless Nickel NF = Aluminum / Cadmium with Olive Drab ZNU = Aluminum / Zinc-Nickel with Black Chromate MT = Aluminum / Nickel-PTFE Z1 = Stainless Steel / Passivated</p>								
Protective Cover	<p>P = Metal Protective Cover, with Lanyard (for Mighty Mouse Connector) N = No Covers Supplied</p>								
Shell Polarizing Position	<p>Polarizing position depends on the connector series.</p> <table border="0"> <tr> <td>For Series 800 and 803: N (Normal), X, Y or Z</td> <td>For Series 801 and 805: A (Normal), B, C, D</td> <td>For Series 804: Omit (Leave Blank) for Single Master Key A (Normal), B, C, D</td> </tr> </table>						For Series 800 and 803: N (Normal), X , Y or Z	For Series 801 and 805: A (Normal), B , C , D	For Series 804: Omit (Leave Blank) for Single Master Key A (Normal), B , C , D
For Series 800 and 803: N (Normal), X , Y or Z	For Series 801 and 805: A (Normal), B , C , D	For Series 804: Omit (Leave Blank) for Single Master Key A (Normal), B , C , D							
Overall Length	<p>Overall Length In Inches 18, 36, 72, 120</p>								

Table I: Series

				
800-037 Series 801 Cordset, UNF Threaded Coupling, Hex Nut	801-029 Series 801 Cordset, Double- Start Threaded Coupling	803-012 Series 803 Cordset, Push-Pull With Bayonet Lock Coupling	804-017 Series 804 Cordset, Quick- Disconnect Push-Pull	805-013 Series 805 Cordset, Tri-Start Threaded Coupling with Ratchet and Ground Spring

Dimensions in Inches (millimeters) are subject to change without notice.

Protocol Specific Cables For USB, Ethernet, HDMI and Others

Table of Contents and Introduction



High-Speed Cable

PRODUCT SELECTION GUIDE

	<p>963-001 100 Ohm Differential Parallel Pair Data Cable</p>	Page V-3
	<p>963-002 Tactical Cat 5e Ethernet Cable with Polyurethane Jacket</p>	Page V-4
	<p>963-003 Avionic Cat 6a Ethernet Cable with FEP Jacket</p>	Page V-5
	<p>963-004 Cat 7 Ethernet Cable with PVC Jacket</p>	Page V-6
	<p>963-005 USB 2.0 Cable with FEP, Polyurethane or No Jacket</p>	Page V-7
	<p>963-012 USB 3.0 Cable with Polyurethane Jacket</p>	Page V-8
	<p>963-006 IEEE 1394 110 Ohm Quad Cable with FEP, Polyurethane or No Jacket</p>	Page V-9
	<p>963-013 100 Ohm SATA/eSATA Cable with Polyurethane Jacket</p>	Page V-10

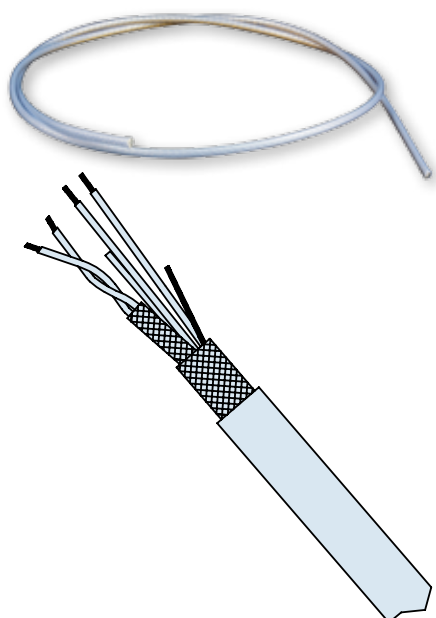
Dimensions in Inches (millimeters) are subject to change without notice.





Protocol Specific Cables For USB, Ethernet, HDMI and Others General Information

V



High Performance, Protocol-Compliant Cable for Series 80 Mighty Mouse *High-Speed* Applications

In addition to the turnkey cordsets offered in each respective section of this catalog, Glenair is pleased to offer our *High-Speed* Mighty Mouse customers discrete bulk cable for on-site termination. All of the cables in this section have been selected for protocol compliance IAW industry-standard Ethernet, USB, and SATA/eSATA specifications and the harsh mission-critical application environments where the Series 80 Mighty Mouse excels. Without exception, cables have been designed and fabricated to optimize flexibility, weight reduction, ruggedness, and insulator quality. Each cable is offered with specific guidance as to shielding properties, impedance performance, attenuation, temperature rating, bend radius, weight, and maximum practical distance. All of the cable part numbers detailed here are in stock and ready for immediate, same-day shipment with no length or dollar minimums.

963-001	100 Ohm Differential Parallel Pair Data Cable
963-002	Tactical Cat 5e Ethernet Cable with Polyurethane Jacket
963-003	Avionic Cat 6a Ethernet Cable with FEP Jacket
963-004	Cat 7 Ethernet Cable with PVC Jacket
963-005	USB 2.0 Cable with FEP or Polyurethane Jacket
963-012	USB 3.0 Cable with Polyurethane Jacket
963-006	IEEE 1394 110 Ohm Quad Cable with FEP or Polyurethane Jacket
963-013	100 Ohm SATA/eSATA Cable with Polyurethane Jacket

Glenair's vertically integrated connector, hardware and cable facilities are perfectly positioned to supply catalog and custom short cable runs for the broad range of high-speed interconnect applications.



Dimensions in Inches (millimeters) are subject to change without notice.

100 Ohm Differential Parallel Pair Data Cable

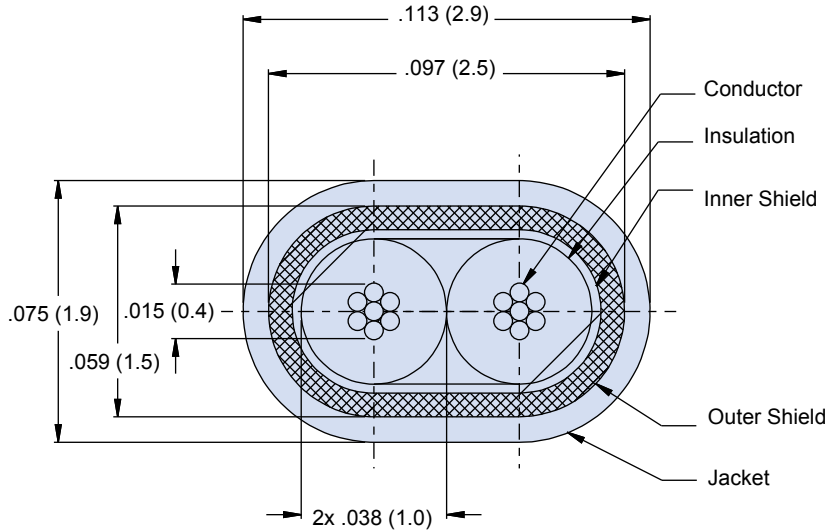
963-001 Ordering Information



High-Speed Cable



963-001: 100 Ohm differential parallel pair data cable



Properties	
Impedance	100 Ohms ± 10
Attenuation	0.25 dB/m @ 100 MHz .075 dB/m @ 500 MHz 1.25 dB/m @ 1000 MHz
Impedance	100 ± 10 Ohms
Capacitance	12.0 pF/ft (nom)
Velocity of Propagation	80%
Temperature Rating	150°C

Construction Details		
Data Pair	Conductor	2x 28 AWG (7/36) silver plated high strength copper alloy (.015" OD)
	Insulation	Extruded Foamed Fluoropolymer (.038")
	Colors	Blue and white
	Shield Coverage	Silver plated copper, 38 AWG, 95% minimum
Inner Shield		Aluminum/ Polyester tape, 100% coverage
Outer Shield		Round silver plated copper braid, 90% coverage
Jacket		Extruded FEP
Color		Transparent blue

NOTES

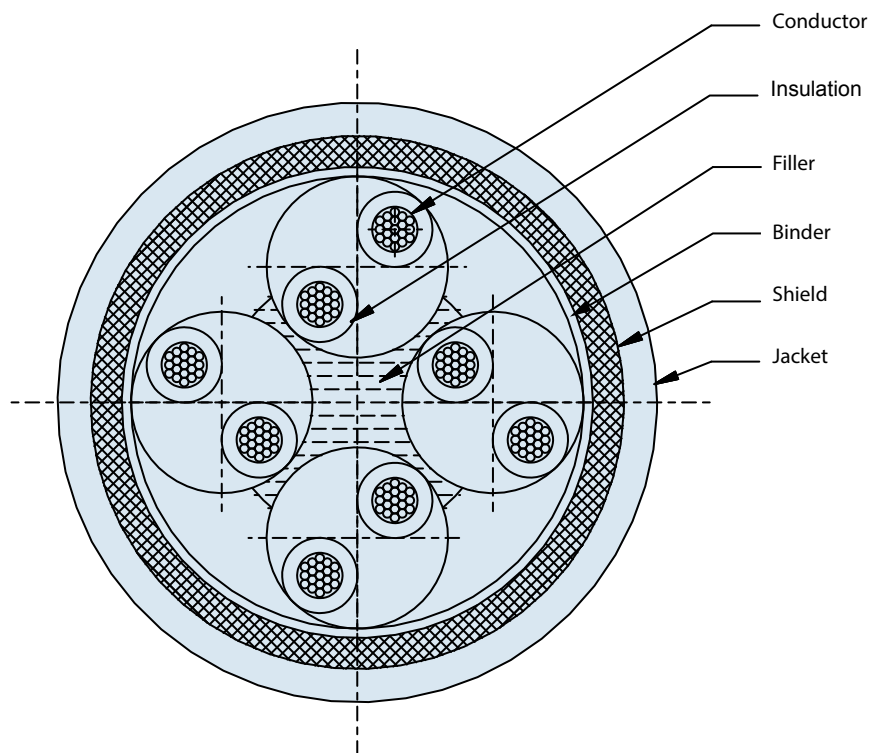
- Cable identified with manufacturer's name and part number.
- Cable is sold in 1 foot increments. Specify desired length on purchase order.

Dimensions in Inches (millimeters) are subject to change without notice.

Tactical Cat 5e Ethernet Cable

963-002 Ordering Information

963-002: 1000 BASE-T Ethernet cable with polyurethane jacket



Construction Details		
	Details	Diameter (Inches)
Conductor	24 AWG 19x36 silver plated copper alloy	.0235
Insulation	Fluoropolymer	.045
Colors	Pair #1 white/blue and blue	.235 .300
	Pair #2 white/orange and orange	
	Pair #3 white/green and green	
	Pair #4 white/brown and brown	
Two insulated conductors twisted together (varied lays)		

Properties	
Impedance	100 Ohms \pm 15% (1 to 100 MHz)
Attenuation	8.0 dB/100 ft @ 100 MHz
NEXT	35.3 dB @ 100MHz
PSNEXT	32.3 dB @ 100 MHz
ELFEXT	23.8 dB @ 100 MHz
PSELFEXT	20.8 dB @ 100 MHz
Temperature Rating	200° C
Minimum Bend Radius	1.25" (dynamic) 1.00" (static)
Weight	4.8 lbs/100 ft
Max Cabling Distance	80 meters (100BASE-T)

Final Assembly	
Cable	Four twisted pairs caled around a center filler
Binder	Skive PTFE tape
Shield 1	Aluminum polyester
Shield 2	38 AWG silver plated copper braid 80% coverage
Jacket	Polyurethane (Estane 58244) Color: Black .030" minimum jacket wall

NOTES

- Cable identified with manufacturer's name and part number.
- Cable is sold in 1 foot increments. Specify desired length on purchase order.

Dimensions in Inches (millimeters) are subject to change without notice.

Avionic Cat 6a Ethernet Cable

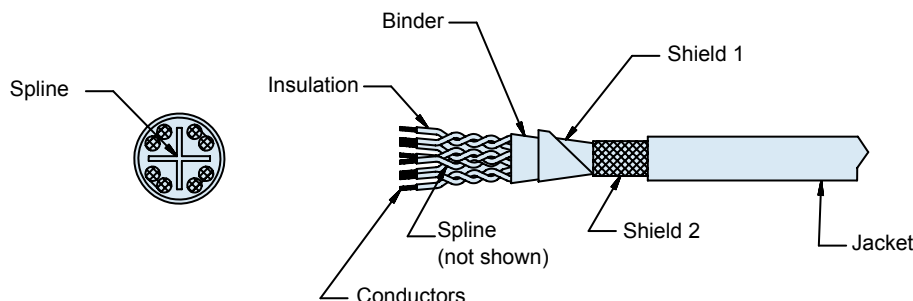
963-003



High-Speed Cable

963-003: 10G BASE-T ETHERNET CABLE WITH FEP JACKET

How to Order	
963-003-24	24 AWG
963-003-26	26 AWG



Construction Details		
	963-003-24	963-003-26
Conductor	24 AWG silver plated copper	26 AWG stranded silver plated copper
Insulation	FEP	PFA
Colors	Pair #1 white/blue and blue stripe Pair #2 white/orange and orange stripe Pair #3 white/green and green stripe Pair #4 white/brown and brown stripe	Pair #1 white/blue and blue stripe Pair #2 white/orange and orange stripe Pair #3 white/green and green stripe Pair #4 white/brown and brown stripe

Final Assembly		
	963-003-24	963-003-26
Conductors	Silver plated copper	Silver plated copper
Insulation	FEP	PFA
Cable	Four twisted pairs cabled around a center filler	Four twisted pairs cabled around a center filler
Spline	FEP	Fluoropolymer
Binder	Skive PTFE tape	Fluoropolymer tape
Shield 1	Aluminum mylar	n/a
Shield 2	38 AWG silver plated copper braid 90% coverage	silver plated copper braid 80% coverage
Jacket	FEP Color: Translucent blue .275" Nominal OD	PTFE laser printable jacket Color: White .220" nominal OD

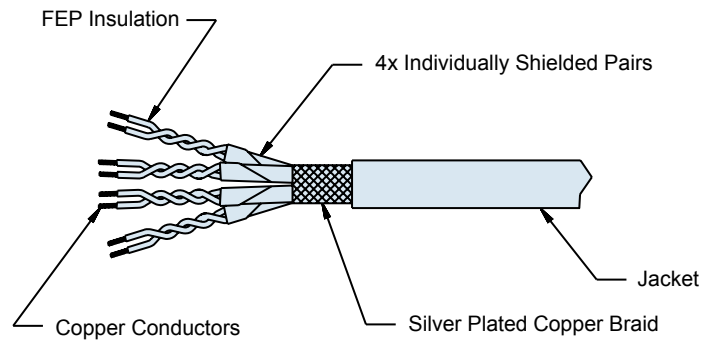
Properties		
	963-003-24	963-003-26
Impedance	100 Ohms ± 10%	100 Ohms ± 10%
Attenuation (dB/100 Ft)	10 MHz - 2.4 100 MHz - 7.5 500 MHz - 17.7	10 MHz - 3.7 100 MHz - 11.2 500 MHz - 24.0
NEXT	10 MHz - 59.3 100 MHz - 44.3 250 MHz - 38.3 500 MHz - 33.8	10 MHz - 59.3 100 MHz - 44.3 250 MHz - 38.3 500 MHz - 33.8
SRL	10 MHz - 25.0 100 MHz - 20.1 250/500 MHz - 15.2	10 MHz - 25.0 100 MHz - 20.1 250/500 MHz - 15.2
Capacitance (pF/ft)	14.5 (nominal)	14.5 (nominal)
Velocity of Propagation	70% (nominal)	70% (nominal)
DWV	1.5 KV RMS	1.5 KV RMS
Temperature Rating	-55° to +200° C	-55° to +200° C
Minimum Bend Radius	1.40 Inches	.660 Inches
Weight	5.5 lbs/100 ft	3.05 lbs/100 ft
Max Cabling Distance	240 Feet (10GBASE-T)	188 Feet

NOTES

- Cable identified with manufacturer's name and part number.
- Cable is sold in 1 foot increments. Specify desired length on purchase order.
- Meets TIA-568B CAT-6A requirements when terminated to appropriate high speed connectors.
- Skydrol resistant, RoHS compliant and passes flamability requirements of FAR part 23 and 25, appendix F.

Dimensions in Inches (millimeters) are subject to change without notice.

963-004: 10G BASE-T Ethernet cable with PVC jacket



Construction Details	
Conductor	23 AWG solid copper alloy (.024" OD)
Insulation	Foam FEP (.057" OD)
Colors	Pair #1 white with blue stripe Pair #2 orange/white with orange stripe Pair #3 green/white and green stripe Pair #4 brown/white and brown stripe
Pair Shield	Aluminum mylar, 100% aluminum side facing out (.115" OD)
Overall Shield	Braid, silver plated copper 38 AWG, 85% minimum (.274" nominal OD)
Jacket	0.298" nominal OD

NOTES

- Cable identified with manufacturer's name and part number.
- Cable is sold in 1 foot increments. Specify desired length on purchase order.

Properties	
Impedance	100 Ohms \pm 10%
Attenuation (dB/100 M)	10 MHz - 5.7
	100 MHz - 18.5
	300 MHz - 33.3
	600 MHz - 48.9
NEXT	1000 MHz - 64
	10 MHz - 80
	100 MHz - 72.4
	300 MHz - 65.3
SRL	600 MHz - 60.8
	1000 MHz - 67
	10 MHz - 25
	100 MHz - 20.1
Capacitance (pF/ft)	300 MHz - 17.3
	600 MHz - 17.3
Velocity of Propagation	1000 MHz - 18
	14.5 (nominal)
DWV	80% (nominal)
Temperature Rating	1000V RMS
Weight	-20° to +70° C
	4.1 lbs/100 ft

Dimensions in Inches (millimeters) are subject to change without notice.

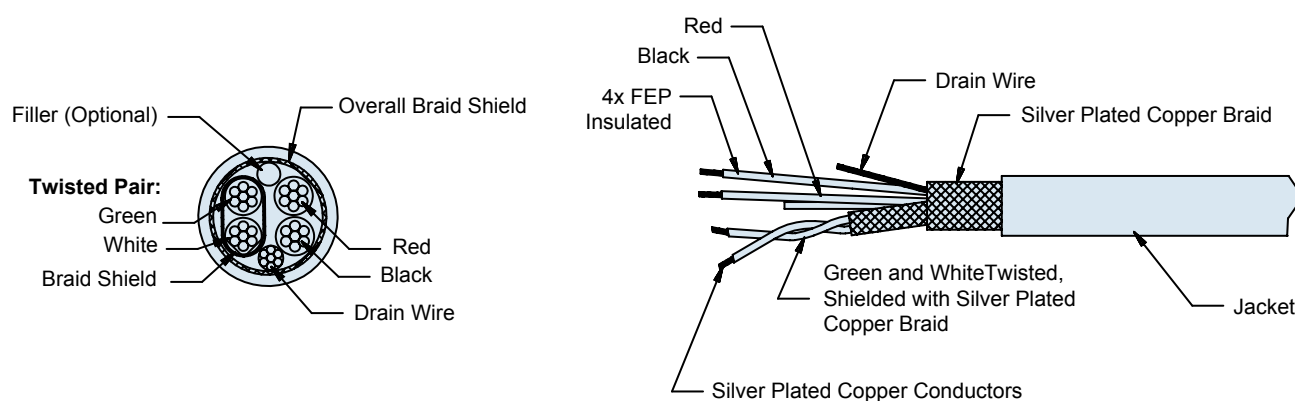
USB 2.0 Cable

963-005 Ordering Information



963-005: USB 2.0 cable with FEP, polyurethane or no jacket

How To Order		
Sample Part Number	963-005	-2
Series	963-005 = USB 2.0 cable with FEP, polyurethane or no jacket	
Cable Jacket Material	1 - Less Jacket 2 - FEP (translucent blue) 3 - Polyurethane, zero halogen, Estane 58244 TPU or equivalent (black)	



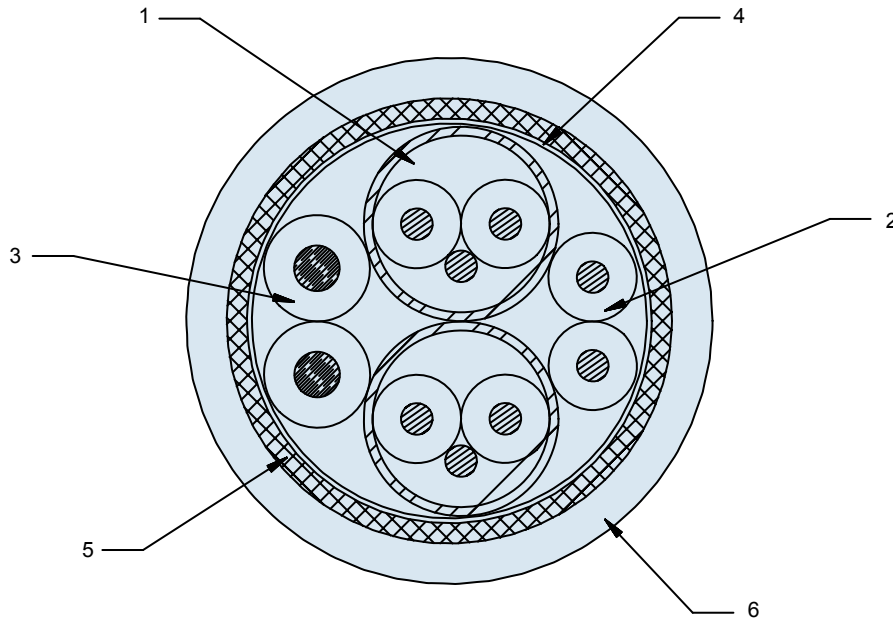
Properties	
Impedance	90 Ohms ± 10
Attenuation (dB/100 ft)	1 MHz - 1.2
	4 MHz - 2.4
	8 MHz - 3.5
	12 MHz - 4.1
	24 MHz - 5.8
	48 MHz - 8.2
	96 MHz - 11.6
	200 MHz - 19.5
400 MHz - 35.0	
Skew	100 ps max / 16.4 feet (5 meters)
Velocity of Propagation	70% (nominal)
DWV	1000V RMS
Temperature Rating	FEP: -65° to +200° C Polyurethane: -30° to +105° C
Weight	2.9 lbs/100 ft

Construction Details		
Data Pair	Conductor	2x 26 AWG (19/38) silver plated copper alloy (.019" OD)
	Insulation	FEP (.035")
	Colors	Green and white
	Shield Coverage	Silver plated copper, 38 AWG, 95% minimum
Power Pair	Conductor	2x 22 AWG (19/34) silver plated copper alloy (.030" OD)
	Insulation	FEP (.050")
	Colors	Red and black
Drain Wire	Conductor	26 AWG (19/38) silver plated copper alloy (.019" OD)
Filler		PTFE rod, optional
Overall Shield Coverage		Silver plated copper, 38 AWG, 95% minimum (.176" nominal OD)
Jacket Diameter		.200" nominal

NOTES

- Cable identified with manufacturer's name and part number.
- Cable is sold in 1 foot increments. Specify desired length on purchase order.

Dimensions in Inches (millimeters) are subject to change without notice.

963-012: USB 3.0 cable with polyurethane jacket


Construction Details			
1	2x Data Pair 90 Ohms (Twisted, Shielded)	Conductors	2x 26 AWG (19/38) silver plated copper
		Insulation	FEP
		Colors	Pair 1: Violet and orange Pair 2: Blue and yellow
		Drain	26 AWG (19/38) silver plated copper
		Shield	Al/Polyester, 50% lap (foil side in)
2	Data Pair 90 Ohms (Twisted)	Conductors	2x 26 AWG (19/38) silver plated copper
		Insulation	FEP
		Colors	Green and white
3	Power Pair	Conductors	2x 24 AWG (19/36) silver plated copper
		Insulation	FEP
		Colors	Black and red
4	Mylar Tape	50% Min Overlap	
5	Overall Shield	36 AWG silver plated copper braid. 90% coverage minimum	
6	Overall Jacket	Polyurethane, Ø .272 In nominal, black	

Properties		
Impedance	90 Ohms ± 10	
Attenuation (nominal)	f (GHz)	IL (dB/m)
	1.25	-1.5
	2.5	-2.6
	5	-3.8
	7.5	-4.6
Velocity of Propagation	69%	
DWV	300VAC	
Temperature Rating	-30C to +105C	
Weight	47.8 lb/1000 ft	

NOTES

- Cable identified with manufacturer's name and part number.
- Cable is sold in 1 foot increments. Specify desired length on purchase order.

Dimensions in Inches (millimeters) are subject to DWV without notice.

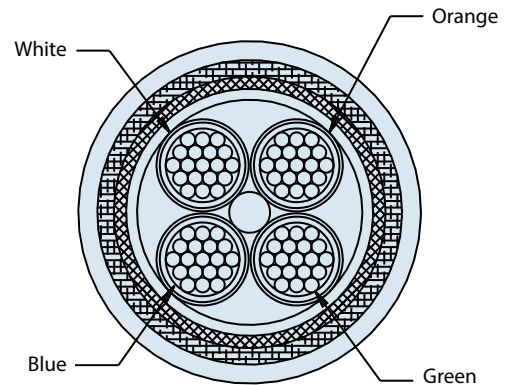


963-006: 110 ohm quad cable with FEP, polyurethane or no jacket

How To Order		
Sample Part Number	963-006	-2
Series	963-006 = USB 2.0 cable with FEP, polyurethane or no jacket	
Cable Jacket Material	1 - Less Jacket 2 - FEP (translucent blue) 3 - Polyurethane, zero halogen, Estane 58244 TPU or equivalent (black)	

Construction Details	
Conductors	24 AWG (19/36) silver plated copper alloy (.0235" OD)
Insulation	Foam FEP, .054" OD
Filler	FEP .022" nominal OD
Overall Binder	PTFE tape wrap
Overall Shield #1	40 AWG silver plated copper braid
Overall Shield #2	38 AWG silver plated copper braid
Jacket Diameter	.190" nominal, .200" max

Properties	
Impedance	110 Ohms ± 6 (measured differentially)
Attenuation (dB/100 ft)	10 MHz - 2.9
	100 MHz - 7.5
	500 MHz - 15.0
	1 GHz - 22.5
Skew	2.0 PS/ft typical, 3.5 PS/ft Max (within pair)
Velocity of Propagation	80% (nominal)
Capacitance	12.5 PF/ft nominal (between pairs, ground floating)
DWV	1500V RMS conductor/conductor
	1000V RMS conductor/shield
Temperature Rating	FEP: -65° to +200° C
	Polyurethane: -30° to +105° C
Weight	3.5 lbs/100 ft

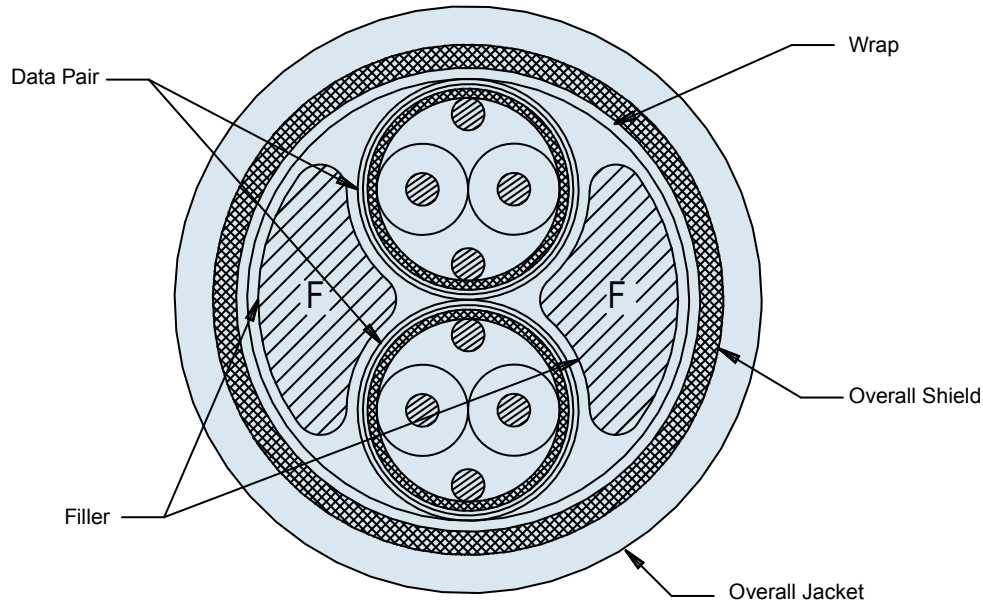


NOTES

- Cable identified with manufacturer's name and part number.
- Cable is sold in 1 foot increments. Specify desired length on purchase order.

Dimensions in Inches (millimeters) are subject to change without notice.

963-013: 100 ohm SATA/eSATA cable with polyurethane jacket



Construction Details	
Conductors	2x 28 AWG (7/36) silver plated copper
Insulation	.0115" NEWcel to .038" ± .002"
Drain Wire	2x 28 AWG (7/36) silver plated copper
Braid	44 AWG silver plated copper, 90% coverage minimum
Tape	.0015 Al/polyester, 50% lap (foil side in)
Jacket	.005" PFA to .099" ± .005
Wire Colors	white and blue (pair 1) white and orange (pair 2)
Filler	LSNW polyester
Wrap	.002" PTFE tape, 50% lap
Overall Shield	35 AWG tin copper braid, 90% coverage minimum
Overall Jacket	.035" polyurethane, .299" OD nominal, (black)
Marking	print on outer jacket in white ink

NOTES

- Cable identified with manufacturer's name and part number.
- Cable is sold in 1 foot increments. Specify desired length on purchase order.

Dimensions in Inches (millimeters) are subject to change without notice.

Series 80 Mighty Mouse Fiber Optic General Information



Fiber Optic
Mighty Mouse

PRODUCT SELECTION GUIDE



Series 80 Mighty Mouse Contact Arrangements for Size 16 and Size 20HD Fiber Optic Termini for Series 801, 802 and 805

Page W-2



Series 801 Mighty Mouse Plug Connectors

Page W-6



Series 801 Mighty Mouse Receptacle Connectors

Page W-8



Series 802 Mighty Mouse Plug Connectors

Page W-13



Series 802 Mighty Mouse Receptacle Connectors

Page W-15



Series 805 Mighty Mouse Plug Connectors

Page W-19



Series 805 Mighty Mouse Receptacle Connectors

Page W-21

Dimensions in Inches (millimeters) are subject to change without notice.



Series 80 Mighty Mouse Size #20HD Fiber Optic Termini General Information



**Series 801 Receptacle
with 181-084 pin termini**



**Series 801 Plug
with 181-085 socket termini**

- **Single Mode and Multi Mode**
- **Snap-in, Rear Release**
- **Precision Ceramic Ferrules**
- **0.5 dB Typical Attenuation**
- **3 to 69 Channels**

W

Reduce size and weight with Series 80 Mighty Mouse fiber optic connectors

New size 20HD fiber optic termini can be used in any standard Mighty Mouse connector but perform best in our Series 801, 804 and 805 systems. Available for single mode or multi mode fiber, these termini have low insertion loss and are intended for high-reliability aerospace applications. Series 80 connectors offer substantial reductions in size and weight compared to our D38999 type fiber optic connectors. Complete how to order instructions are included on the following pages. When ordering termini (sold separately), please refer to the insert arrangement tables for count and size.

Series 80 Insert Arrangements for use with #20HD Fiber Optic termini

Series 801	6-23	7-25	8-28	9-210	13-220
Series 802	6-23	7-25	8-28	9-210	12-220
Series 805	8-23	9-25	10-28	11-210	15-220
Series 801	16-235	17-241	19-255	21-269	
Series 802	14-235	15-241	19-255	21-269	
Series 805	18-235	19-241	21-255	23-269	

See Series 80 Mighty Mouse catalog for connector ordering information. Order connectors less contacts and order fiber optic termini separately. Cavity numbers are mating face view of pin connectors.

Dimensions in Inches (millimeters) are subject to change without notice.

Series 80 Mighty Mouse Size #20HD Fiber Optic Termini 181-084 and 181-085



Size 20HD fiber optic termini



181-084 Pin Terminus



181-085 Socket Terminus

Size 20HD fiber optic termini are compatible with all Series 80 Mighty Mouse threaded coupling connectors with size 20HD cavities. These snap-in, rear-release termini feature precision ceramic ferrules and sleeves for accurate fiber alignment. Typical insertion loss 0.5 dB. Fits 50/125 and 62.5/125 multi mode and 9/125 single mode fiber.

Termini Type	Optical Fiber Type	Part Number	ØA Ferrule Hole*	Fiber Size Core/Cladding
Pin	Single Mode	181-084-1255	125.5 microns	9/125
	Multi Mode	181-084-126	126.0 microns	50/125, 62.5/125
Socket	Single Mode	181-085-1255	125.5 microns	9/125
	Multi Mode	181-085-126	126.0 microns	50/125, 62.5/125

*Consult factory for additional sizes

NOTES

Materials and Finishes

181-084 :

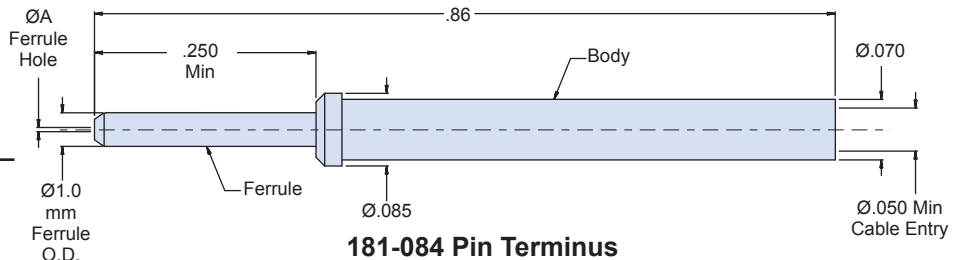
- Ferrule: zirconia ceramic
- Body: copper-nickel-zinc alloy

181-085:

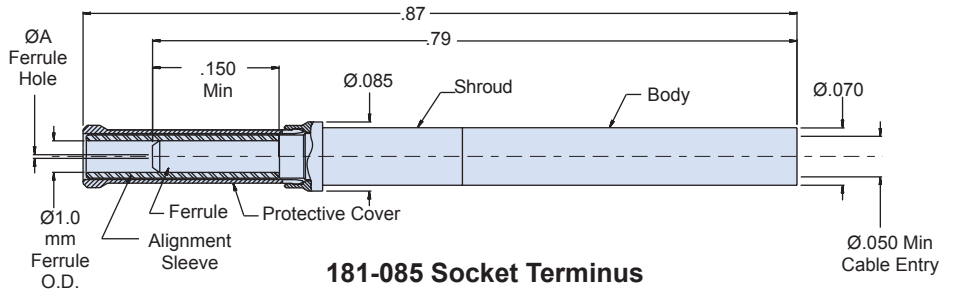
- Ferrule, alignment sleeve: zirconia ceramic
- Body, shroud: copper-nickel-zinc alloy
- Spring (not shown): stainless steel/passivate
- Protective cover: spring alloy/nickel

Application Notes

- Alignment sleeve and protective cover are supplied with socket terminus assembly, and may be ordered separately (see accessories table).
- For grommet sealing plug, see Glenair part number 859-012
- Consult factory for termination and assembly procedures/tools
- Insertion/Extraction Tool
Glenair Part Number [809-203D](#)



181-084 Pin Terminus



181-085 Socket Terminus

Table I: Performance Specifications

Optical Insertion Loss	0.5 dB typical
Operating Temperature	-65°C to +150°C/Connector -65°C to +200°C/Termini*
Temperature (Thermal) Shock	-55°C to +85°C, 10 cycles, per TIA/EIA-455-71, Test Schedule C. 0.5 dB max IL before test. 0.5 dB max CIT during and after test.
Temperature Cycling	-55°C to +85°C, 5 cycles, per TIA/EIA-455-3, Test Condition A. 0.5 dB max IL before test. 0.5 dB max CIT during and after test.
Mating Durability	500 cycles, per TIA/EIA-455-21. 0.5 dB max IL before test. 0.5 dB max CIT during and after test.
Vibration - Random	49.5 G RMS, 24-2000 Hz, 8 hours per Axis (longitudinal and perpendicular) at Ambient Temperature, per EIA-364-28, Test Condition V. 0.5 dB max IL before test. 0.5 dB max CIT after test. Discontinuity of 0.5 dB max for 50 microseconds.
Mechanical Shock (Half-sine Pulse)	300 G Peak, 6 Shocks per Axis, per TIA-455-14, Test Condition D. 0.5 dB max IL before test. 0.5 dB max CIT after test. Discontinuity of 0.5 dB max for 50 microseconds.

*Depending on cable and epoxy used.

Table II: Accessories	
181-085-S	Ceramic Alignment Sleeve
181-085-C	Protective Cover

Dimensions in Inches (millimeters) are subject to change without notice.



Series 80 Mighty Mouse Size #16 Fiber Optic Termini General Information



Series 801 Plug with
181-057 pin terminus



Series 801 receptacle with
181-075 socket terminus

- **Single Mode and Multi Mode**
- **Snap-in, Rear Release**
- **Precision Ceramic Ferrules**
- **0.5 dB Typical Attenuation**
- **1 to 22 Channels**

W

Reduce size and weight with Series 80 Mighty Mouse fiber optic connectors

New size 16 fiber optic termini can be used in any standard Mighty Mouse connector but perform best in our Series 801, 804 and 805 systems. Available for single mode or multi mode fiber, these termini have low insertion loss and are intended for high-reliability aerospace applications. Series 80 connectors offer substantial reductions in size and weight compared to our D38999 type fiber optic connectors. Complete how to order instructions are included on the following pages. When ordering termini (sold separately), please refer to the insert arrangement tables for count and size.

Series 80 Insert Arrangements for use with #16 Fiber Optic termini

Series 801	6-1	8-2	9-4	10-5	12-7
Series 802	6-1	8-2	9-4	10-5	13-7
Series 805	8-1	10-2	11-4	12-5	15-7
Series 801	16-12	17-14	19-19	21-22	
Series 802	14-12	15-14	19-19	21-22	
Series 805	18-12	19-14	21-13	23-22	

Order connectors less contacts and order fiber optic termini separately. Cavity numbers are mating face view of pin connectors.

Dimensions in Inches (millimeters) are subject to change without notice.

Series 80 Mighty Mouse Size #16 Fiber Optic Termini 181-057 and 181-075



Size 16 fiber optic termini

Size 16 fiber optic termini are compatible with all Series 80 Mighty Mouse threaded coupling connectors with size 16 cavities. These snap-in, rear-release termini feature precision ceramic ferrules and sleeves for accurate fiber alignment. Typical insertion loss 0.5 dB. Fits 50/125 and 62.5/125 multi mode and 9/125 single mode fiber.



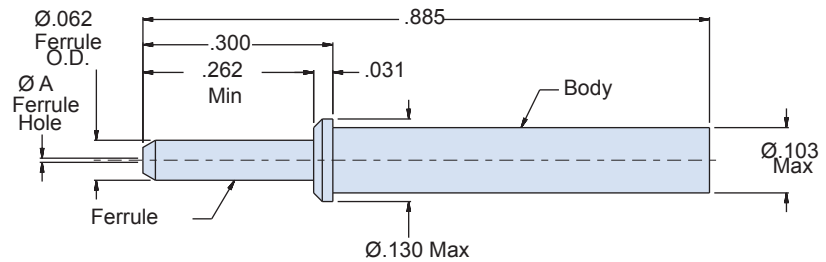
181-057 Pin Terminus



181-075 Socket Terminus

Termini Type	Optical Fiber Type	Part Number	A Ferrule I.D.
Pin	Single Mode	181-057-125	125.5 microns
	Multi Mode	181-057-126	126.0 microns
Socket	Single Mode	181-075-125	125.5 microns
	Multi Mode	181-075-126	126.0 microns

*Consult factory for additional sizes



181-057 Pin Terminus

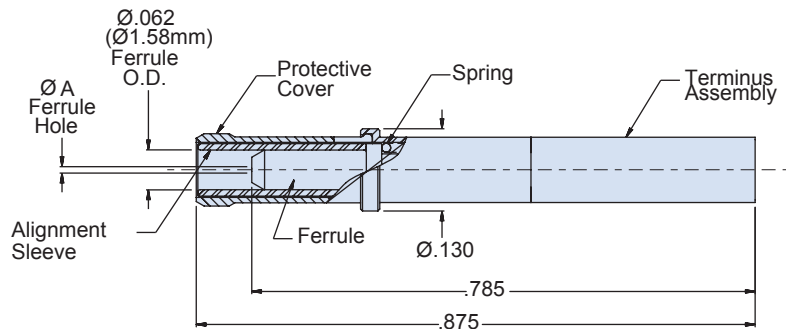
MATERIALS AND FINISHES

181-057 :

- Ferrule: zirconia ceramic
- Body: stainless steel, passivated

181-075:

- Ferrule, alignment sleeve: zirconia ceramic
- Terminus assembly: stainless steel/passivate
- Spring: stainless steel/passivate
- Protective cover: spring alloy/nickel
- Insertion/extraction Tool
- Standard size 16 plastic tool
- Glenair Part Number [809-131](#)
- Military Part Number M81969/14-03
- Consult factory for termination and assembly procedures/tools.



181-075 Socket Terminus

181-001-S	Ceramic Alignment Sleeve
181-075-C	Protective Cover

Optical Insertion Loss	0.5 dB typical
Operating Temperature	-65°C to +150°C/Connector -65°C to +200°C/Termini*
Mating Durability	TIA/EIA-455-21, 500 cycles (Per MIL-PRF-29504B)
*Depending on cable and epoxy used.	

Dimensions in Inches (millimeters) are subject to change without notice.



Series 801 Mighty Mouse Double-Start ACME Threads Plug 801-007 and 801-008 Ordering Information



Series 801 Plug Connector

Glenair's Series 801 Mighty Mouse connector features a double-start modified stub ACME mating thread for improved protection against cross-mating and thread damage. Connector shells are machined aluminum or stainless steel, and are designed to accommodate (depending on insert arrangement) Glenair size 16 or 20HD fiber optic termini (termini sold separately.) Metal clips inside the connector body lock the termini into place. Termini are removable. Fluorosilicone seals and rear grommet protect the connector from water ingress. Choose hex or knurled coupling nut. Terminate cable shield directly to connector body with Band-Master™ strap, or choose rear accessory thread to attach optional backshell. 18 insert arrangements available for shell sizes 5 through 21.

W

How To Order

Sample Part Number	801-007	-16	M	7-10	A	A
Series (See Table I)	801-007 = With Banding Platform 801-008 = With Rear Accessory Thread					
Shell Style	-16 = Plug with Anti-Decoupling Spring -26 = Self-Locking Plug with Ratchet Mechanism (the "Clicker")					
Shell Material and Finish	C = Aluminum / Black Anodize (Non-Conductive) RoHS Compliant M = Aluminum / Electroless Nickel RoHS Compliant NF = Aluminum / Cadmium with Olive Drab Chromate ZN = Aluminum / Zinc-Nickel with Olive Drab Chromate ZNU = Aluminum / Zinc-Nickel with Black Chromate MT = Aluminum / Nickel-PTFE RoHS Compliant Z1 = Stainless Steel / Passivated RoHS Compliant					
Shell Size - Insert Arrangement	See Insert Arrangements page W-3, W-6					
Contact Type	Connector supplied without termini. Please indicate pin or socket. A = Pin Connector, Less Termini B = Socket Connector, Less Termini					
Shell Key Positions (See Table II)	A = Normal B = Pos. B C = Pos. C D = Pos. D E = Pos. F F = Pos. F					

Table I: Series

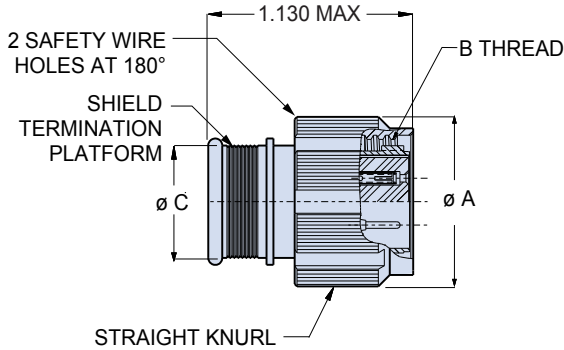
801-007 Banding Platform	801-008 Rear Accessory Thread

Table II: Key Positions

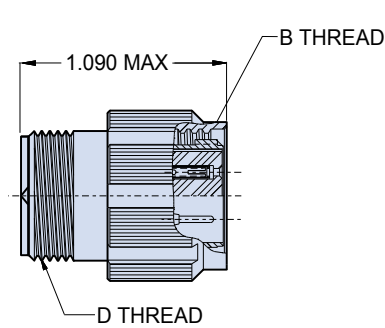
	A°	B°	
A	150°	210°	
B	75°	210°	
C	95°	230°	
D	140°	275°	
E	75°	275°	
F	95°	210°	

Dimensions in Inches (millimeters) are subject to change without notice.

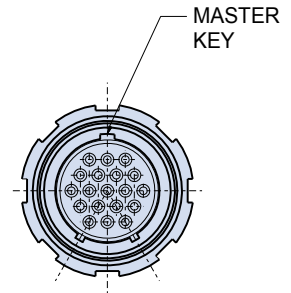
Series 801 Mighty Mouse Double-Start ACME Threads Plug 801-007 and 801-008 Dimensions



Integral Band Platform
801-007



Accessory Thread
801-008



W

Dimensions								
Shell Size	Ø A Style 16		Ø A Style 26		B Thread	Ø C		D Thread
	In.	mm.	In.	mm.		In.	mm.	
5	0.54	13.72	0.65	16.51	.3125-.05P-.1L-DS-2B	.245	6.22	.2500-32 UNEF-2A
6	0.60	15.24	0.69	17.53	.3750-.05P-.1L-DS-2B	.290	7.37	.3125-32 UNEF-2A
7	0.69	17.53	0.79	20.07	.4375-.05P-.1L-DS-2B	.390	9.91	.4375-28 UNEF-2A
8	0.75	19.05	0.83	21.08	.5000-.05P-.1L-DS-2B	.445	11.30	.5000-28 UNEF-2A
9	0.81	20.57	0.92	23.37	.5625-.05P-.1L-DS-2B	.500	12.70	.5625-24 UNEF-2A
10	0.88	22.35	0.98	24.89	.6250-.05P-.1L-DS-2B	.560	14.22	.6250-24 UNEF-2A
11	0.92	23.37	1.02	25.91	.6875-.05P-.1L-DS-2B	.605	15.37	.6875-24 UNEF-2A
13	1.05	26.67	1.10	27.94	.8125-.1P-.2L-DS-2B	.650	16.51	.6875-24 UNEF-2A
16	1.24	31.50	1.34	34.04	1.0000-.1P-.2L-DS-2B	.805	20.45	.9375-24 UNEF-2A
17	1.30	33.02	1.45	36.83	1.0625-.1P-.2L-DS-2B	.850	21.59	.9375-24 UNEF-2A
19	1.40	35.56	1.50	38.10	1.1875-.1P-.2L-DS-2B	1.003	25.48	1.0625-24 UNEF-2A
21	1.55	39.37	1.65	41.91	1.3125-.1P-.2L-DS-2B	1.110	28.19	1.1875-24 UNEF-2A

Dimensions in Inches (millimeters) are subject to change without notice.



Series 801 Mighty Mouse Double-Start ACME Threads Crimp Receptacle 801-009 and 801-010 - Ordering Information



In-Line
Shell Style 01



Rear Panel Jam Nut Mount
Shell Style 07



Square Flange Mount
Shell Style 02

W

How To Order	
Sample Part Number	801-010 -02 Z1 16-55 B A
Series (See Table I)	<p>801-009 Receptacle with Banding Platform</p> <p>801-010 Receptacle with Accessory Thread</p>
Shell Style (See Table III)	<p>-01 = In-Line Receptacle for Free-Hanging Cables</p> <p>-02 = Thru Hole Square Flange Receptacle for Front or Rear Panel Mounting</p> <p>-07 = Jam Nut Receptacle for Rear Panel Mounting</p> <p>-12 = Square Flange Receptacle for Rear Panel Mounting with "Non-Locking" Clinch Nuts</p> <p>-22 = Square Flange Receptacle for Rear Panel Mounting with "Locking" Clinch Nuts</p>
Material and Finish	<p>M = Aluminum / Electroless Nickel RoHS Compliant</p> <p>MT = Aluminum / Nickel-PTFE RoHS Compliant</p> <p>NF = Aluminum / Cadmium with Olive Drab Chromate</p> <p>ZNU = Aluminum / Zinc-Nickel with Black Chromate</p> <p>Z1 = Stainless Steel / Passivated RoHS Compliant</p>
Shell Size - Insert Arr	See Insert Arrangements page W-3, W-6
Contact Type	<p>Connector supplied without termini. Please indicate pin or socket.</p> <p>A = Pin Connector, Less Termini</p> <p>B = Socket Connector, Less Termini</p>
Shell Key Positions (See Table II)	<p>A = Normal B = Pos. B C = Pos. C D = Pos. D E = Pos. F F = Pos. F</p>

Table I: Series
<p>800-009 Banding Platform</p>
<p>801-010 Rear Accessory Thread</p>

Table II: Keyway Positions		
	A°	B°
A	150°	210°
B	75°	210°
C	95°	230°
D	140°	275°
E	75°	275°
F	95°	210°

Table III: Shell Style		
<p>Style-01 In-line</p>	<p>Style-02, -12, -22 Square Flange</p>	<p>Style-07 Jam Nut</p>

Dimensions in Inches (millimeters) are subject to change without notice.

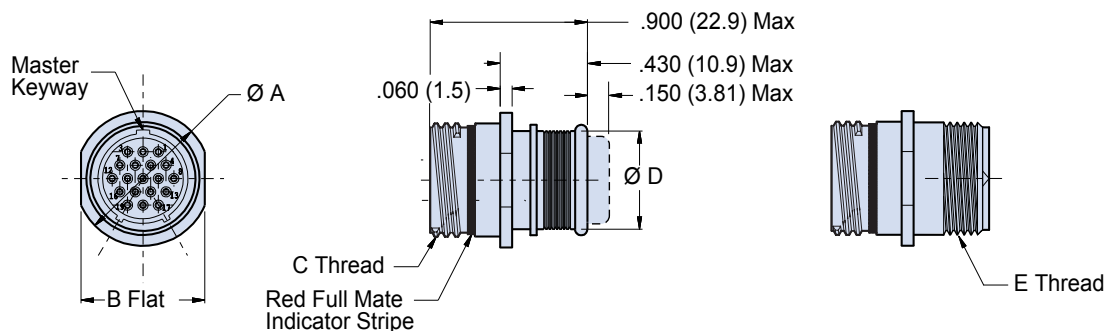
Series 801 Mighty Mouse Double-Start ACME Threads In-Line Receptacle

801-009-01 and 801-010-01 - Dimensions



Fiber Optic
Mighty Mouse

In-line receptacle- shell style 01



Integral Band Platform
801-009-01

Accessory Thread
801-010-01



Dimensions								
Shell Size	Ø A		B Flat		C Thread	Ø D		E Thread UNEF-2A
	In.	mm.	In.	mm.		In.	mm.	
5	.355	9.02	.325	8.13	.3125-.05P-.1L-DS-2A	.245	6.22	.2500-32
6	.415	10.54	.385	9.78	.3750-.05P-.1L-DS-2A	.290	7.37	.3125-32
7	.480	12.19	.445	11.30	.4375-.05P-.1L-DS-2A	.390	9.91	.4375-28
8	.540	13.72	.510	12.95	.5000-.05P-.1L-DS-2A	.445	11.30	.5000-28
9	.605	15.37	.575	14.61	.5625-.05P-.1L-DS-2A	.500	12.70	.5625-24
10	.665	16.89	.635	16.13	.6250-.05P-.1L-DS-2A	.560	14.22	.6250-24
11	.730	18.54	.700	17.78	.6875-.05P-.1L-DS-2A	.605	15.37	.6875-24
13	.855	21.72	.825	20.96	.8125-.1P-.2L-DS-2A	.650	16.51	.6875-24
16	1.040	26.42	1.010	25.65	1.0000-.1P-.2L-DS-2A	.805	20.45	.9375-20
17	1.110	28.19	1.070	27.18	1.0625-.1P-.2L-DS-2A	.850	21.59	.9375-20
19	1.243	31.57	1.191	30.25	1.1875-.1P-.2L-DS-2A	1.003	25.48	1.0625-18
21	1.375	34.93	1.312	33.32	1.3125-.1P-.2L-DS-2A	1.110	28.19	1.1875-18

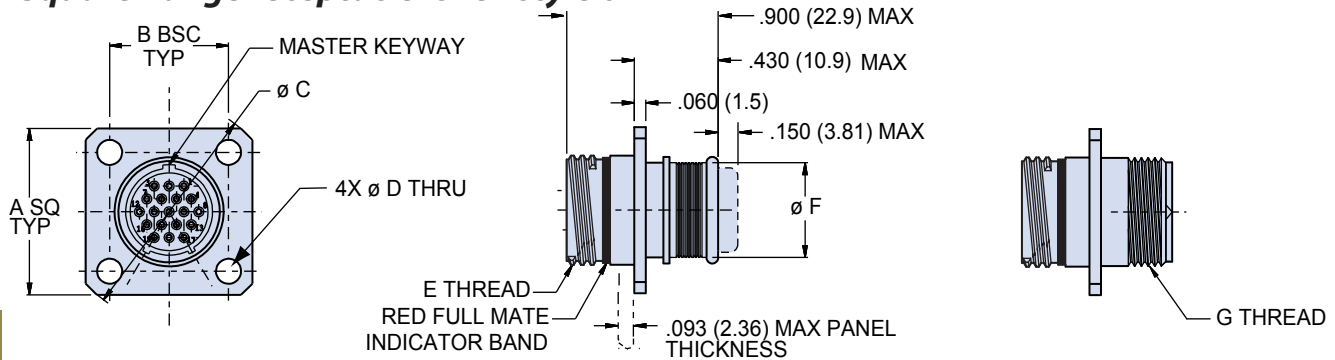
Dimensions in Inches (millimeters) are subject to change without notice.



Series 801 Mighty Mouse Double-Start ACME Threads Square Flange Receptacle

801-009-02 and 801-010-02 - Dimensions

Square flange receptacle- shell style 02



Integral Band Platform 801-009-02

Accessory Thread 801-010-02

Shell Size	Dimensions											
	A SQ		B BSC		ϕC		ϕD		E Thread	ϕF		G Thread UNEF-2A
	In.	mm.	In.	mm.	In.	mm.	In.	mm.		In.	mm.	
5	.530	13.46	.363	9.22	.680	17.27	.096	2.44	.3125-.05P-.1L-DS-2A	.245	6.22	.2500-32
6	.590	14.99	.423	10.74	.750	19.05			.3750-.05P-.1L-DS-2A	.290	7.37	.3125-32
7	.650	16.51	.483	12.27	.850	21.59			.4375-.05P-.1L-DS-2A	.390	9.91	.4375-28
8	.712	18.08	.545	13.84	.938	23.83	.130 .126	3.30 3.20	.5000-.05P-.1L-DS-2A	.445	11.30	.5000-28
9	.850	21.59	.607	15.42	1.125	28.58			.5625-.05P-.1L-DS-2A	.500	12.70	.5625-24
10	.890	22.61	.670	17.02	1.188	30.18			.6250-.05P-.1L-DS-2A	.560	14.22	.6250-24
11	.935	23.75	.715	18.16	1.250	31.75			.6875-.05P-.1L-DS-2A	.605	15.37	.6875-24
13	1.030	26.16	.812	20.62	1.375	34.93			.8125-.1P-.2L-DS-2A	.650	16.51	.6875-24
16	1.219	30.96	.981	24.92	1.625	41.28			1.0000-.1P-.2L-DS-2A	.805	20.45	.9375-20
17	1.280	32.51	1.060	26.92	1.700	43.18			1.0625-.1P-.2L-DS-2A	.850	21.59	.9375-20
19	1.432	36.37	1.191	30.25	1.900	48.26			1.1875-.1P-.2L-DS-2A	1.003	25.48	1.0625-18
21	1.565	39.75	1.322	33.58	2.100	53.34			1.3125-.1P-.2L-DS-2A	1.110	28.19	1.1875-18

Series 801 Panel Cutout

Shell Size	ϕA		B BSC		ϕC	
	In.	mm.	In.	mm.	In.	mm.
5	.328	8.33	.363	9.22	.096 .091	2.44 2.31
6	.390	9.91	.423	10.74		
7	.453	11.51	.483	12.27		
8	.515	13.08	.545	13.84	.130 .126	3.30 3.20
9	.578	14.68	.607	15.42		
10	.640	16.26	.670	17.02		
11	.703	17.86	.715	18.16		
13	.828	21.03	.812	20.62		
16	1.015	25.78	.981	24.92		
17	1.078	27.38	1.060	26.92		
19	1.203	30.56	1.191	30.25		
21	1.328	33.73	1.322	33.58		

Dimensions in Inches (millimeters) are subject to change without notice.

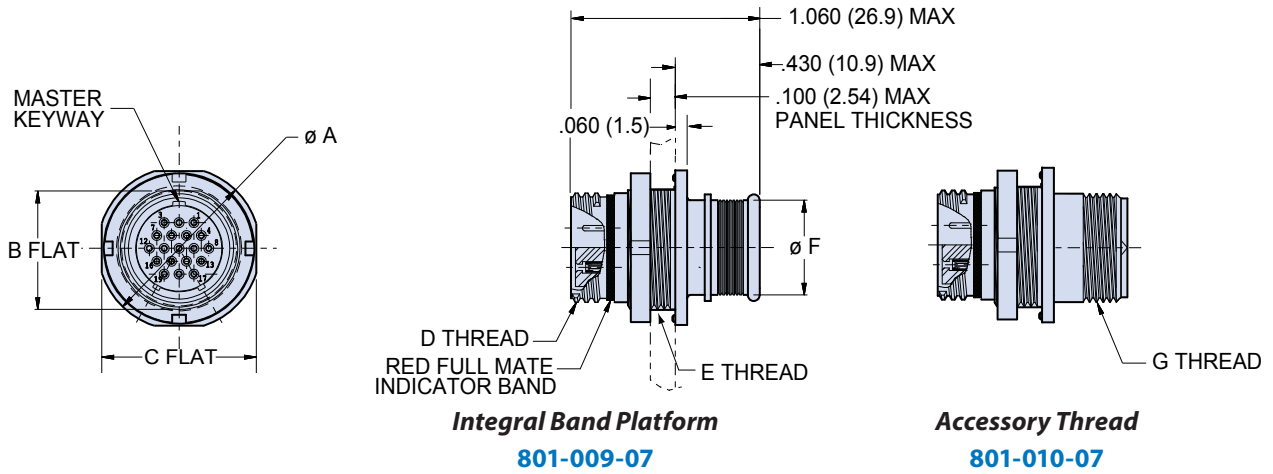
Series 801 Mighty Mouse Double-Start ACME Threads Jam Nut Receptacle

801-009-07 and 801-010-07 - Dimensions



Fiber Optic
Mighty Mouse

Jam nut, rear panel mount receptacle - shell style 07



Dimensions											
Shell Size	$\varnothing A$		B Flat		C Flat		D Thread	E Thread UN-2A	$\varnothing F$		G Thread UN-2A
	In.	mm.	In.	mm.	In.	mm.			In.	mm.	
5	.575	14.61	.350	8.89	.545	13.84	.3125-.05P-.1L-2A	.375-28	.245	6.22	.250-32
6	.635	16.13	.410	10.41	.595	15.11	.375-.05P-.1L-2A	.4375-28	.290	7.37	.3125-32
7	.755	19.18	.536	13.61	.723	18.36	.4375-.05P-.1L2A	.5625-32	.390	9.91	.4375-28
8	.755	19.18	.536	13.61	.723	18.36	.5000-.05P-.1L-2A	.5625-32	.445	11.30	.5000-28
9	.830	21.08	.596	15.14	.790	20.07	.5625-.05P-.1L-2A	.625-28	.500	12.70	.5625-24
10	.890	22.61	.658	16.71	.855	21.72	.6250-.05P-.1L-2A	.6875-28	.560	14.22	.6250-24
11	.960	24.38	.718	18.24	.925	23.50	.6875-.05P-.1L-2A	.7500-28	.605	15.37	.6875-24
13	1.078	27.38	.845	21.46	1.044	26.52	.8125-.1P-.2L-2A	.875-28	.650	16.51	.6875-24
16	1.264	32.11	1.022	25.96	1.230	31.24	1.000-.1P-.2L-2A	1.0625-20	.805	20.45	.9375-20
17	1.325	33.66	1.096	27.84	1.290	32.77	1.062-.1P-.2L-2A	1.125-28	.850	21.59	.9375-20
19	1.450	36.83	1.227	31.17	1.415	35.94	1.1875-.1P-.2L-2A	1.2500-28	1.003	25.48	1.0625-18
21	1.625	41.28	1.347	34.21	1.577	40.06	1.3125-.1P-.2L-2A	1.375-28	1.110	28.19	1.1875-18

Series 801 Jam Nut Panel Cutout				
Shell Size	A Flat		$\varnothing B$	
	In. $\pm .002$	mm. ± 0.05	In. $\pm .002$	mm. ± 0.05
5	.356	9.04	.385	9.78
6	.416	10.57	.447	11.35
7	.542	13.77	.572	14.53
8	.542	13.77	.572	14.53
9	.602	15.29	.635	16.13
10	.666	16.92	.697	17.70
11	.730	18.54	.760	18.44
13	.851	21.62	.885	22.48
16	1.028	26.11	1.075	27.31
17	1.102	27.99	1.135	28.83
19	1.243	31.57	1.260	32.00
21	1.354	34.39	1.385	35.18

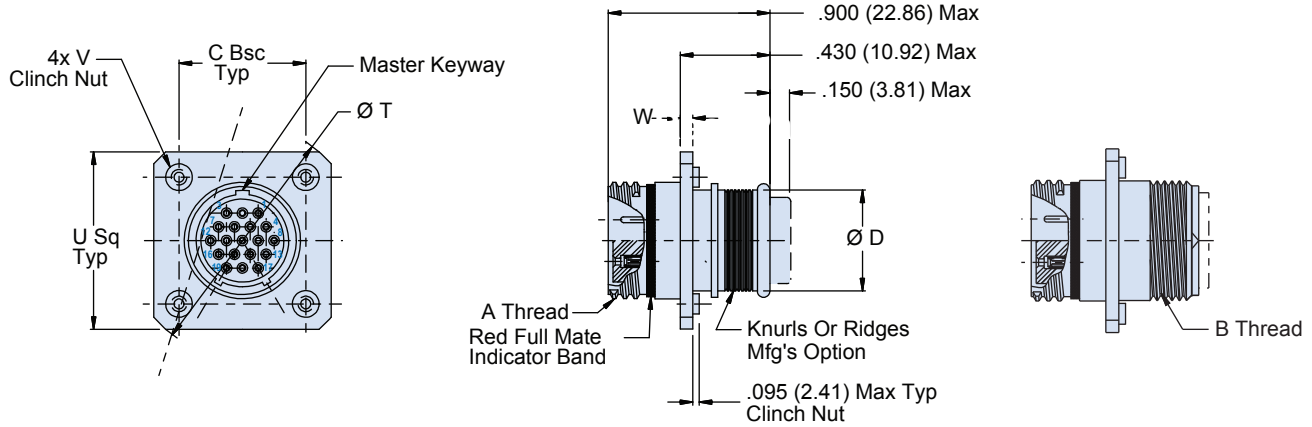
Dimensions in Inches (millimeters) are subject to change without notice.



Series 801 Mighty Mouse Double-Start ACME Threads Square Flange Receptacle

801-009-12 and 801-010-22 - Dimensions

Rear panel mount receptacle - shell style 12 and 22



Integral Band Platform 801-009-12 and 801-009-22

Accessory Thread 801-010-12 and 801-010-22

Dimensions							
Shell Size	A Thread	B Thread	C BSC	Ø T	U SQ	V Clinch Nut	W
5	.3125-.05P-.1L-DS-2A	.2500-32 UNEF-2A	0.363	0.774	0.623	2-56	0.030
6	.3750-.05P-.1L-DS-2A	.3125-32 UNEF-2A	0.423	0.860	0.683		
7	.4375-.05P-.1L-DS-2A	.4375-28 UNEF-2A	0.483	0.944	0.743		
8	.5000-.05P-.1L-DS-2A	.5000-28 UNEF-2A	0.545	1.032	0.805		
9	.5625-.05P-.1L-DS-2A	.5625-24 UNEF-2A	0.607	1.180	0.927	4-40	0.060
10	.6250-.05P-.1L-DS-2A	.6250-24 UNEF-2A	0.670	1.268	0.990		
11	.6875-.05P-.1L-DS-2A	.6875-24 UNEF-2A	0.715	1.331	1.035		
13	.8125-.1P-.2L-DS-2A	.6875-24 UNEF-2A	0.812	1.470	1.132		
16	1.0000-.1P-.2L-DS-2A	.9375-20 UNEF-2A	0.981	1.708	1.301		
17	1.0625-.1P-.2L-DS-2A	.9375-20 UNEF-2A	1.060	1.822	1.382		
19	1.1875-.1P-.2L-DS-2A	1.0625-18 UNEF-2A	1.191	2.006	1.511		
21	1.3125-.1P-.2L-DS-2A	1.1875-18 UNEF-2A	1.322	2.190	1.642		

Series 801 Front and Rear Mount Panel Cutout			
	G Bsc	H Holes	
		Ø R	
		0.363	0.328
		0.423	0.096
		0.483	0.091
		0.545	
		0.607	
		0.670	
		0.715	
		0.812	0.130
		0.981	0.126
		1.060	
		1.191	
		1.322	

NOTES

1. Grommet protrudes for power/ combo/#8 arrangements.
2. For all #8 arrangements, add .100" to length of banding platform.
3. For all #8 arrangements, add .340" to overall length.

Dimensions in Inches (millimeters) are subject to change without notice.

Series 802 "Aqua Mouse" Submersible Plug

802-008 and 802-009 - Ordering Information



Glenair's Series 802 Mighty Mouse connectors feature stainless steel or marine bronze shells with marine bronze coupling nuts to withstand corrosion in the most hostile environments, and are designed to accommodate (depending on insert arrangement) Glenair size 16 or 20HD fiber optic termini (termini sold separately.) Metal clips inside the connector body lock the termini into place. Termini are removable. Rated for 3500 PSI when mated, these connectors are suitable for the most demanding geophysical and underwater applications. Terminate cable shield directly to integral shield attachment platform with Band-Master™ strap, or choose rear accessory thread to attach optional backshell. 18 insert arrangements available for shell sizes 5 through 21.

How To Order						
Sample Part Number	802-009	-06	Z1	9-19	A	A
Series (See Table I)	802-008 = Plug with Banding/ Molding Platform 802-009 = Plug with Accessory Thread					
Shell Style	-06 = Plug					
Shell Material and Finish	Z1 = Stainless Steel/Passivated RoHS Compliant ZM = Stainless Steel/ Electroless Nickel Plated AB = Marine Bronze					
Shell Size - Insert Arrangement	See Insert Arrangements page W-3, W-6					
Contact Type	Connector Supplied without Termini. A = Pin Connector, Less Termini B = Socket Connector, Less Termini					
Shell Key Positions (See Table II)	A = Normal B = Pos. B C = Pos. C D = Pos. D E = Pos. E F = Pos. F					

W

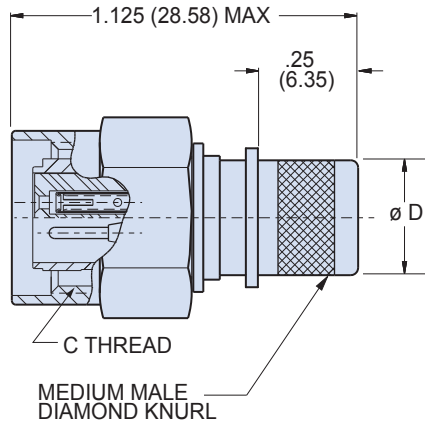
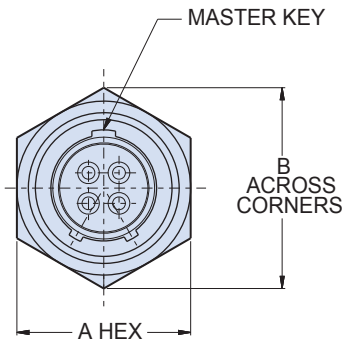
Table I: Series	
802-008 Hex Plug with Banding/Molding Platform	802-009 Hex Plug with Accessory Thread

Table II: Key Positions		
Key Position	Key Rotation	
	A°	B°
Normal (A)	150°	210°
B	75°	210°
C	95°	230°
D	140°	275°
E	75°	275°
F	95°	210°

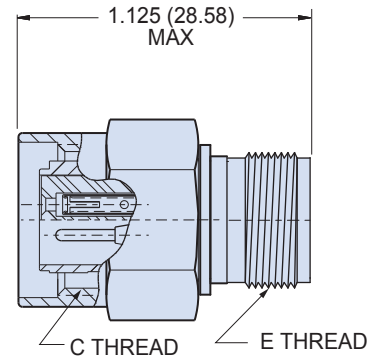
Dimensions in Inches (millimeters) are subject to change without notice.



Series 802 "Aqua Mouse" Submersible Plug 802-008-06 and 802-009-06 Dimensions



Integral Band Platform
802-006



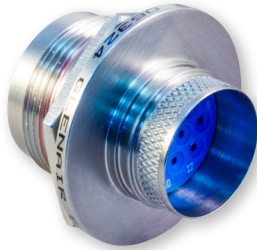
Accessory Thread
802-009

Dimensions								
Shell Size	A Hex		B Max.		C	Ø D		E Threads
	In.	mm.	In.	mm.	Mating Threads	In.	mm.	Accessory
5	.500	12.70	.560	14.22	.438-28 UNEF	.232	5.90	.2500-32 UNEF-2A
6	.625	15.88	.720	18.29	.562-20 UN	.312	7.92	.3125-32 UNEF-2A
7	.688	17.48	.780	19.81	.625-20 UN	.375	9.53	.4375-28 UNEF-2A
8	.750	19.05	.860	21.84	.687-20 UN	.438	11.13	.5000-28 UNEF-2A
9	.812	20.62	.930	23.62	.750-20 UNEF	.500	12.70	.5625-24 UNEF-2A
10	.875	22.23	1.000	25.40	.812-20 UNEF	.562	14.27	.6250-24 UNEF-2A
12	.938	23.83	1.060	26.92	.875-20 UNEF	.656	16.66	.6875-24 UNEF-2A
14	1.125	28.58	1.250	31.75	1.062-20 UN	.812	20.62	.8750-20 UNEF-2A
15	1.188	30.18	1.320	33.53	1.125-20 UN	.885	22.40	.9375-20 UNEF-2A
21	1.562	39.67	1.700	43.18	1.437-20 UN	1.188	30.18	1.2500-18 UNEF-2A

Dimensions in Inches (millimeters) are subject to change without notice.

Series 802 "Aqua Mouse" Submersible Receptacle

802-010 and 802-011 Ordering Information



Jam Nut, Rear Mount



Square Flange

Three Shell Mounting Options: Jam nut with o-ring for rear panel mounting, square flange for front panel mounting, or in-line receptacles for free-hanging cables.

Two Shell Styles: Choose the integral band platform for direct attachment of a cable shield. Install a boot, or overmold a boot over the band platform. An accessory thread is available for attaching strain reliefs and backshells.

How To Order	
Sample Part Number	802-011 -02 Z1 10-26 P B
Series (See Table I)	802-010 Receptacle with Banding Platform 802-011 Receptacle with Accessory Thread
Shell Style (See Table II)	-01 = In-Line -02 = Square Flange for Front Panel Mounting -07 = Jam Nut for Rear Panel Mounting
Shell Material and Finish	Z1 = Stainless Steel/Passivated RoHS Compliant ZM = Stainless Steel/Electroless Nickel Plated AB = Marine Bronze/Unplated
Shell Size - Insert Arrangement	See Contact Arrangements Page W-3, W-6
Contact Type	Connector supplied without termini. Please indicate pin or socket. A = Pin Connector, less termini B = Socket Connector, less termini
Shell Key Positions (See Table III)	A = Normal B = Pos. B C = Pos. C D = Pos. D E = Pos. E F = Pos. F

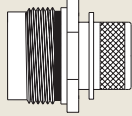
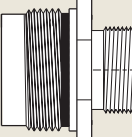
Table I: Series
 802-010 Receptacle with Banding Platform
 802-011 Receptacle with Accessory Thread

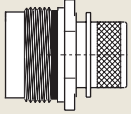
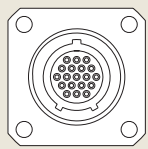
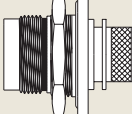
Table II: Shell Style		
		
-01 In-Line	-02 Square Flange	-07 Jam Nut for Rear Panel Mounting

Table III: Keyway Positions		
	A°	B°
A	150°	210°
B	75°	210°
C	95°	230°
D	140°	275°
E	75°	275°
F	95°	210°

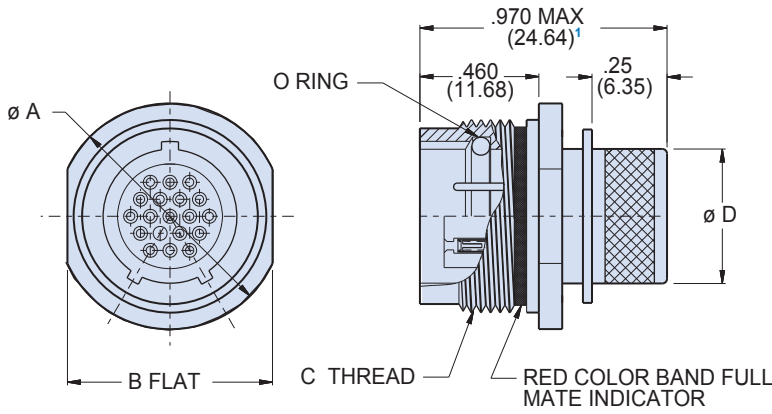
Dimensions in Inches (millimeters) are subject to change without notice.



Series 802 "Aqua Mouse" Submersible In-Line Receptacle

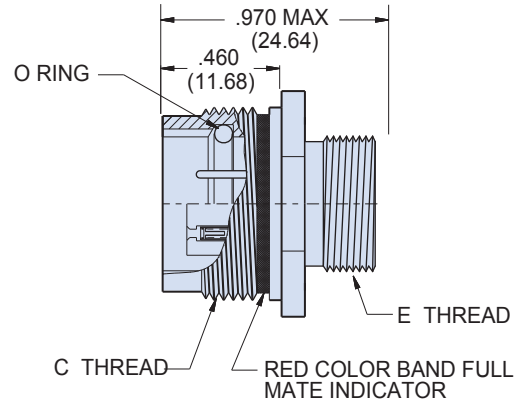
802-010-01 and 802-011-01 Dimensions

In-line cable receptacle - shell style 01



IN-LINE RECEPTABLE WITH
INTEGRAL BAND PLATFORM
802-010

Integral Band Platform
802-010



IN-LINE RECEPTACLE WITH
ACCESSORY THREAD
802-011

Accessory Thread
802-011

Dimensions								
Shell Size	Ø A		B Flats		C Mating Threads	Ø D		E Accessory Threads
	In.	mm.	In.	mm.		In.	mm.	
5	.560	14.22	.500	12.70	.438-28 UNEF	.232	5.90	.2500-32 UNEF-2A
6	.720	18.29	.625	15.88	.562-20 UN	.312	7.92	.3125-32 UNEF-2A
7	.780	19.81	.688	17.48	.625-20 UN	.375	9.53	.4375-28 UNEF-2A
8	.860	21.84	.750	19.05	.687-20 UN	.438	11.13	.5000-28 UNEF-2A
9	.930	23.62	.812	20.62	.750-20 UNEF	.500	12.70	.5625-24 UNEF-2A
10	1.000	25.40	.875	22.23	.812-20 UNEF	.562	14.27	.6250-24 UNEF-2A
12	1.060	26.92	.938	23.83	.875-20 UNEF	.656	16.66	.6875-24 UNEF-2A
14	1.250	31.75	1.125	28.58	1.062-20 UN	.812	20.62	.8750-20 UNEF-2A
15	1.320	33.53	1.188	30.18	1.125-20 UN	.885	22.40	.9375-20 UNEF-2A
21	1.690	42.93	1.562	39.67	1.4375-20 UN	1.188	30.18	1.2500-20 UNEF-2A

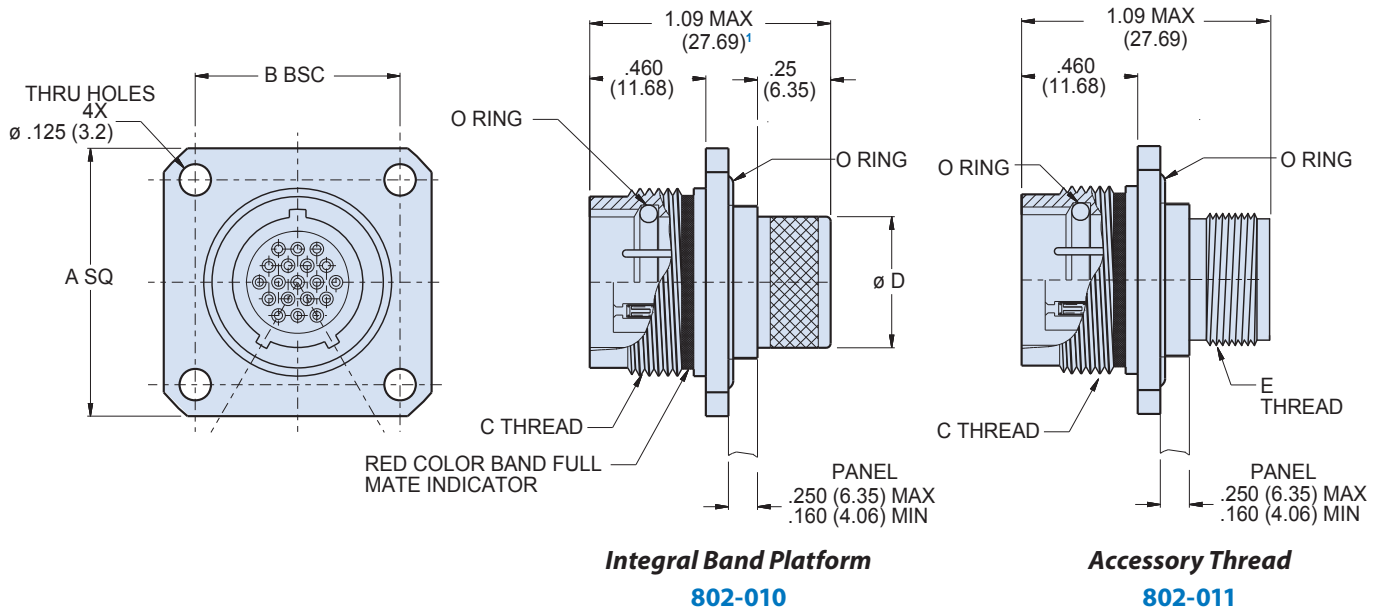
Dimensions in Inches (millimeters) are subject to change without notice.

Series 802 "Aqua Mouse" Submersible Square Flange Receptacle

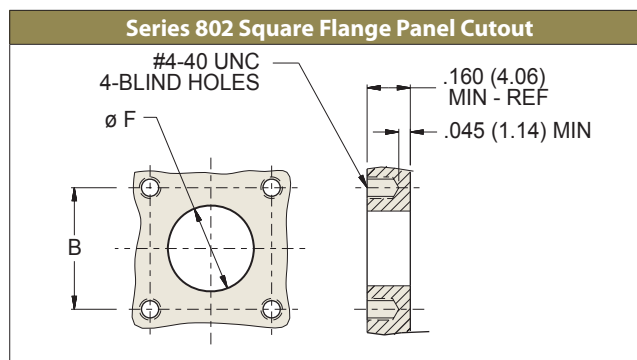
802-010-02 and 802-011-02 Dimensions



Square flange, front panel mount receptacle - shell style 02



Dimensions										
Shell Size	A Square		B Bsc.		C Mating Threads	Ø D		E Accessory Threads	Ø F	
	In.	mm.	In.	mm.		In.	mm.		In.	mm.
5	.885	22.48	.500	12.70	.438-28 UNEF	.232	5.90	.2500-32 UNEF-2A	.327	8.31
6	1.010	25.65	.625	15.88	.562-20 UN	.312	7.92	.3125-32 UNEF-2A	.390	9.91
7	1.072	27.23	.688	17.48	.625-20 UN	.375	9.53	.4375-28 UNEF-2A	.515	13.08
8	1.135	28.83	.750	19.05	.687-20 UN	.438	11.13	.5000-28 UNEF-2A	.577	14.66
9	1.195	30.35	.812	20.62	.750-20 UNEF	.500	12.70	.5625-24 UNEF-2A	.640	16.26
10	1.260	32.00	.875	22.23	.812-20 UNEF	.562	14.27	.6250-24 UNEF-2A	.702	17.83
12	1.322	33.58	.938	23.83	.875-20 UNEF	.656	16.66	.6875-24 UNEF-2A	.765	19.43
14	1.510	38.25	1.125	28.58	1.062-20 UN	.812	20.62	.8750-20 UNEF-2A	.953	24.21
15	1.573	39.95	1.188	30.18	1.125-20 UN	.885	22.40	.9375-20 UNEF-2A	1.015	25.78
21	1.750	44.45	1.375	34.93	1.4375-20 UN	1.188	30.18	1.2500-20 UNEF-2A	1.312	33.32

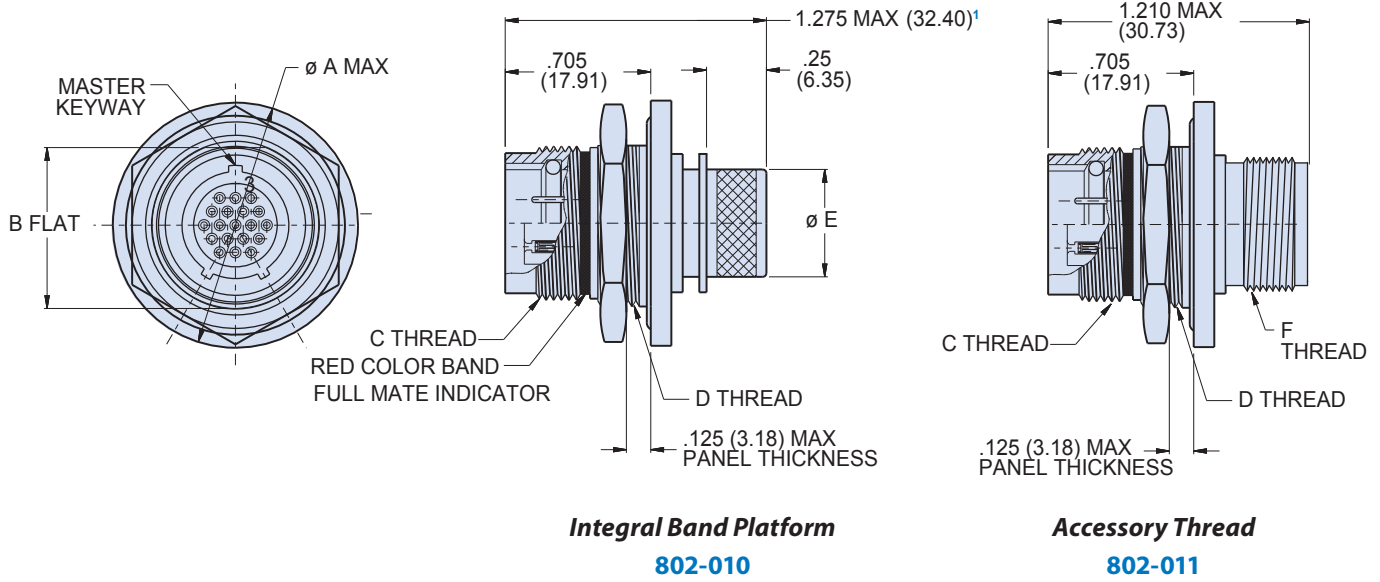


Dimensions in Inches (millimeters) are subject to change without notice.



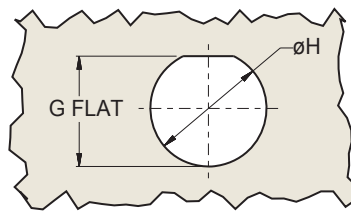
Series 802 "Aqua Mouse" Submersible 802-010-07 and 802-011-07 Dimensions

Jam nut, rear panel mount receptacle - shell style 07



Dimensions

Shell Size	A Max.		B Flat		C Mating Threads	D Jam Nut Threads	Ø E		F Accessory Threads	G Flat		Ø H	
	In.	mm.	In. ± .003	mm. ± 0.08			In.	mm.		In. ± .003	mm. ± 0.08	In.	mm.
	5	.885	22.48	.466	11.84	.438-28 UNEF	.500-32 UN-2A	.232	5.90	.2500-32 UNEF-2A	.477	12.12	.510
6	1.010	25.65	.591	15.01	.562-20 UN	.625-28 UN-2A	.312	7.92	.3125-32 UNEF-2A	.602	15.29	.635	16.13
7	1.072	27.23	.653	16.59	.625-20 UN	.687-28 UN-2A	.375	9.53	.4375-28 UNEF-2A	.664	16.87	.697	17.70
8	1.135	28.83	.716	18.19	.687-20 UN	.750-28 UN-2A	.438	11.13	.5000-28 UNEF-2A	.727	18.47	.760	19.30
9	1.195	30.35	.778	19.76	.750-20 UNEF	.812-28 UN-2A	.500	12.70	.5625-24 UNEF-2A	.789	20.04	.822	20.88
10	1.260	32.00	.827	21.01	.812-20 UNEF	.875-28 UN-2A	.562	14.27	.6250-24 UNEF-2A	.838	21.29	.885	22.48
12	1.322	33.58	.890	22.61	.875-20 UNEF	.938-28 UN-2A	.656	16.66	.6875-24 UNEF-2A	.901	22.89	.948	24.08
14	1.510	38.25	1.077	27.36	1.062-20 UN	1.125-28 UN-2A	.812	20.62	.8750-20 UNEF-2A	1.088	27.64	1.135	28.83
15	1.572	39.93	1.140	28.96	1.125-20 UN	1.188-28 UN-2A	.885	22.40	.9375-20 UNEF-2A	1.151	29.24	1.198	30.43
21	1.940	49.28	1.464	37.19	1.4375-20 UN	1.500-28 UN-2A	1.188	30.18	1.2500-20 UNEF-2A	1.473	37.41	1.510	39.12



RECOMMENDED PANEL CUTOUT

Dimensions in Inches (millimeters) are subject to change without notice.

Series 805 Mighty Mouse Triple-Start Plug

805-001 and 805-002 Ordering Information



Glenair's Series 805 Mighty Mouse connectors feature a spring mechanism in the coupling nut that locks into radial teeth on the plug barrel. This feature allows the Series 805 to stay mated even when under high vibration, without the need for safety wire or torque tools. Connector shells are machined aluminum or stainless steel, and are designed to accommodate (depending on insert arrangement) Glenair size 16 or 20HD fiber optic termini (termini sold separately.) Metal clips inside the connector body lock the termini into place. Termini are removable. Fluorosilicone seals and rear grommet protect the connector from water ingress. Choose hex or knurled coupling nut. Terminate cable shield directly to connector body with Band-Master™ strap, or choose rear accessory thread to attach optional backshell. 18 insert arrangements available for shell sizes 8 through 23.

How To Order						
Sample Part Number	805-001	-16	M	8-4	P	A
Series (See Table I)	805-001 = Plug with Banding Platform 805-002 = Plug with Accessory Thread					
Shell Style	-16 = Plug Connector with Ratcheting Anti-Decoupling Mechanism					
Shell Material and Finish	C = Aluminum / Black Anodize (Non-Conductive); RoHS Compliant M = Aluminum / Electroless Nickel; RoHS Compliant MT = Aluminum / Nickel-PTFE RoHS Compliant NF = Aluminum / Cadmium with Olive Drab Chromate ZN = Aluminum / Zinc-Nickel with Olive Drab Chromate ZNU = Aluminum / Zinc-Nickel with Black Chromate Z1 = Stainless Steel / Passivated; RoHS Compliant					
Shell Size - Insert Arrangement	See Contact Arrangements Page W-3, W-6					
Contact Type	Connector supplied without termini. Please indicate pin or socket. A = Pin Connector, less termini B = Socket Connector, less termini					
Shell Key Positions (See Table II)	A = Normal B = Pos. B C = Pos. C D = Pos. D E = Pos. E F = Pos. F					

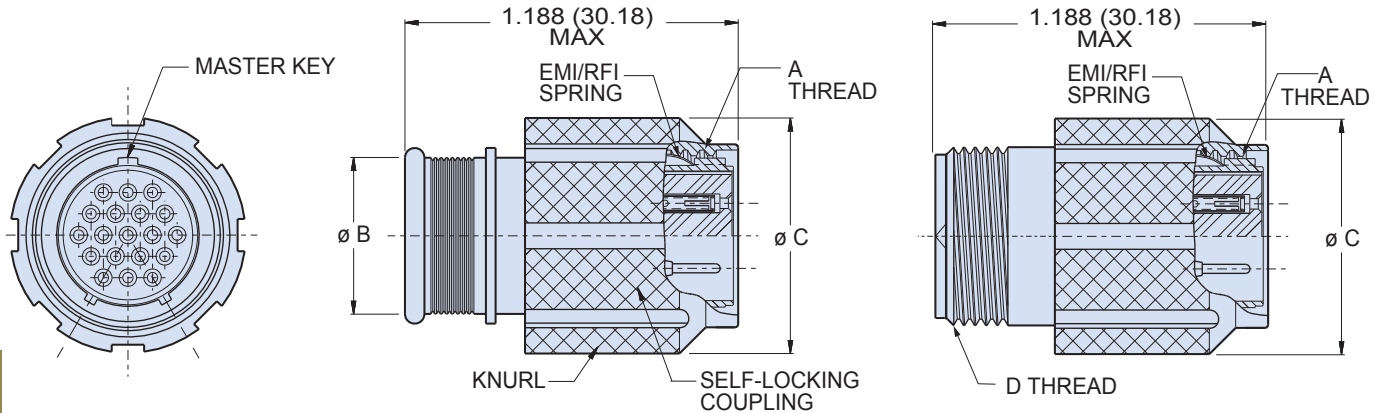
Table I: Series	
805-001 Plug with Banding Platform	805-002 Plug with Accessory Thread

Table II: Key Positions		
Key Position	Key Rotation	
	A	B
Normal (A)	150°	210°
B	75°	210°
C	95°	230°
D	140°	275°
E	75°	275°
F	95°	210°

Dimensions in Inches (millimeters) are subject to change without notice.



Series 805 Mighty Mouse Triple-Start Plug 805-001-16 and 805-002-16 Dimensions



W

Dimensions						
Shell Size	A Threads	Ø B		Ø C		D Threads Accessory
		In.	mm.	In.	mm.	
8	.5000-1P-3L-TS-2B	.317	8.05	.691	17.55	.3750-32 UNEF-2A
9	.5625-1P-3L-TS-2B	.397	10.08	.787	19.99	.4375-28 UNEF-2A
10	.6250-1P-3L-TS-2B	.473	12.01	.826	20.98	.5000-28 UNEF-2A
11	.6875-1P-3L-TS-2B	.519	13.18	.916	23.27	.5625-24 UNEF-2A
12	.7500-1P-3L-TS-2B	.585	14.86	.982	24.94	.6250-24 UNEF-2A
15	.9375-1P-3L-TS-2B	.687	17.45	1.097	27.86	.7500-20 UNEF-2A
18	1.1250-1P-3L-TS-2B	.884	22.45	1.290	32.77	.9375-20 UNEF-2A
19	1.1875-1P-3L-TS-2B	.884	22.45	1.310	33.27	.9375-20 UNEF-2A
23	1.4375-1P-3L-TS-2B	1.135	28.83	1.562	39.67	1.1875-18 UNEF-2A

Performance Specifications	
Operating Temperature	-55° C. to +150° C.
Immersion, Mated	MIL-STD-810 Method 512. One Meter for One Hour.
EMI	65 dB Minimum from 1 GHz. to 10 GHz.

Materials and Finishes	
Connector Shell	Aluminum or Stainless Steel
Insulator	High grade rigid dielectric
Seals	Fluorosilicone Rubber, Blue
Contact Retainer Clip	Copper alloy, Unplated

Dimensions in Inches (millimeters) are subject to change without notice.

Series 805 Mighty Mouse Triple-Start Crimp Receptacle

805-003 and 805-004 Ordering Information



Fiber Optic
Mighty Mouse



Three Shell Mounting Options

Jam nut with O-ring for rear panel mounting, square flange for front or rear panel mounting, or in-line receptacles for free-hanging cables.

Gold-Plated Crimp Contacts

are held in place with beryllium copper retention clips. Contacts are removable.

Two Shell Styles: Choose integral band platform for direct attachment of a cable shield. Install a boot, or overmold a boot over the band platform. An accessory thread is available for attaching strain reliefs and backshells.

How To Order	
Sample Part Number	805-004 -02 NF 9-10 P A
Series (See Table I)	805-003 = Receptacle with Banding Platform 805-004 = Receptacle with Accessory Thread
Shell Style (See Table II)	-01 = In-line -02 = Square Flange Front or Rear Mount -12 = Square Flange Rear Mount Non-Locking Clinch Nuts -22 = Square Flange Rear Mount Locking Clinch Nuts -07 = Jam Nut for Rear Panel Mounting
Shell Material and Finish	C = Aluminum / Black Anodize (Non-Conductive); RoHS Compliant M = Aluminum / Electroless Nickel; RoHS Compliant MT = Aluminum / Nickel-PTFE RoHS Compliant NF = Aluminum / Cadmium with Olive Drab Chromate ZNU = Aluminum / Zinc-Nickel with Black Chromate Z1 = Stainless Steel / Passivated; RoHS Compliant ZB = Stainless Steel / Olive Drab Chromate over Cadmium ZC = Stainless Steel / Zinc Cobalt Alloy/Black Chromate
Shell Size - Insert Arr	See Contact Arrangements Page W-3, W-6
Contact Type	Connector supplied without termini. Please indicate pin or socket. A = Pin Connector, less termini B = Socket Connector, less termini
Shell Key Positions (See Table III)	A = Normal B = Pos. B C = Pos. C D = Pos. D E = Pos. E F = Pos. F

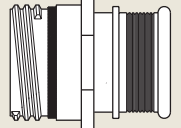
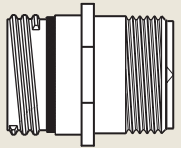
Table I: Series
 805-003 Receptacle with Banding Platform
 805-004 Receptacle with Accessory Thread

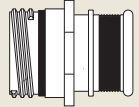

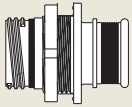
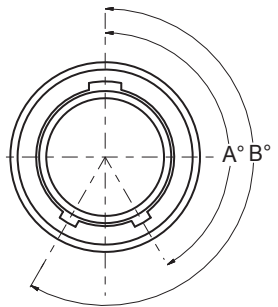
Table II: Shell Style		
		
-01 In-line Receptacle	-02, -12, -22 Square Flange	-07 Jam Nut

Table III Keyway Positions		
		
Position	A	B
Normal (A)	150°	210°
B	75°	210°
C	95°	230°
D	140°	275°

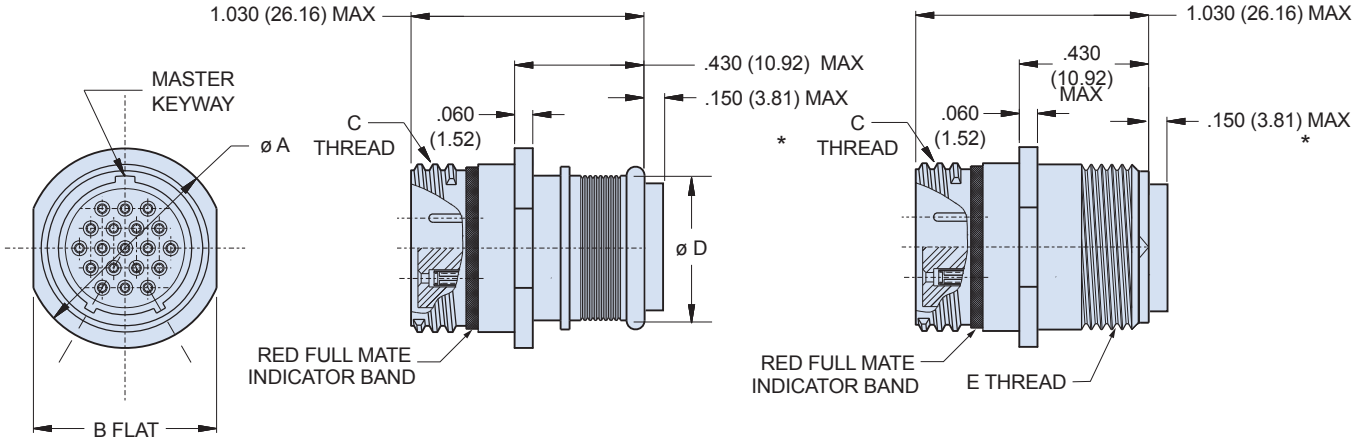
Dimensions in Inches (millimeters) are subject to change without notice.



Series 805 Mighty Mouse Triple-Start In-line Receptacle

805-003-01 and 805-004-01 Dimensions

In-line cable receptacle - shell style 01



*Grommet protrudes for power/combo arrangements

Dimensions								
Shell Size	Ø A		B		C Threads	Ø D		E Threads Accessory
	In.	mm.	In.	mm.		In.	mm.	
8	.540	13.72	.510	12.95	.5000-.1P-.3L-TS-2A	.316	8.05	.3750-32 UNEF-2A
9	.605	15.37	.575	14.61	.5625-.1P-.3L-TS-2A	.397	10.08	.4375-28 UNEF-2A
10	.668	16.96	.638	16.21	.6250-.1P-.3L-TS-2A	.472	12.01	.5000-28 UNEF-2A
11	.730	18.54	.700	17.78	.6875-.1P-.3L-TS-2A	.519	13.18	.5625-24 UNEF-2A
12	.793	20.14	.763	19.38	.7500-.1P-.3L-TS-2A	.585	14.86	.6250-24 UNEF-2A
15	.980	24.89	.950	24.13	.9375-.1P-.3L-TS-2A	.687	17.45	.7500-20 UNEF-2A
18	1.165	29.59	1.135	28.83	1.1250-.1P-.3L-TS-2A	.884	22.45	.9375-20 UNEF-2A
19	1.235	31.37	1.205	30.61	1.1875-.1P-.3L-TS-2A	.884	22.45	.9375-20 UNEF-2A
23	1.485	37.72	1.455	36.96	1.4375-.1P-.3L-TS-2A	1.134	28.80	1.1875-18 UNEF-2A

Performance Specifications	
Operating Temperature	-55° C. to +150° C.
Immersion, Mated	MIL-STD-810 Method 512. One Meter for One Hour.
EMI	65 dB Minimum from 1 GHz. to 10 GHz.

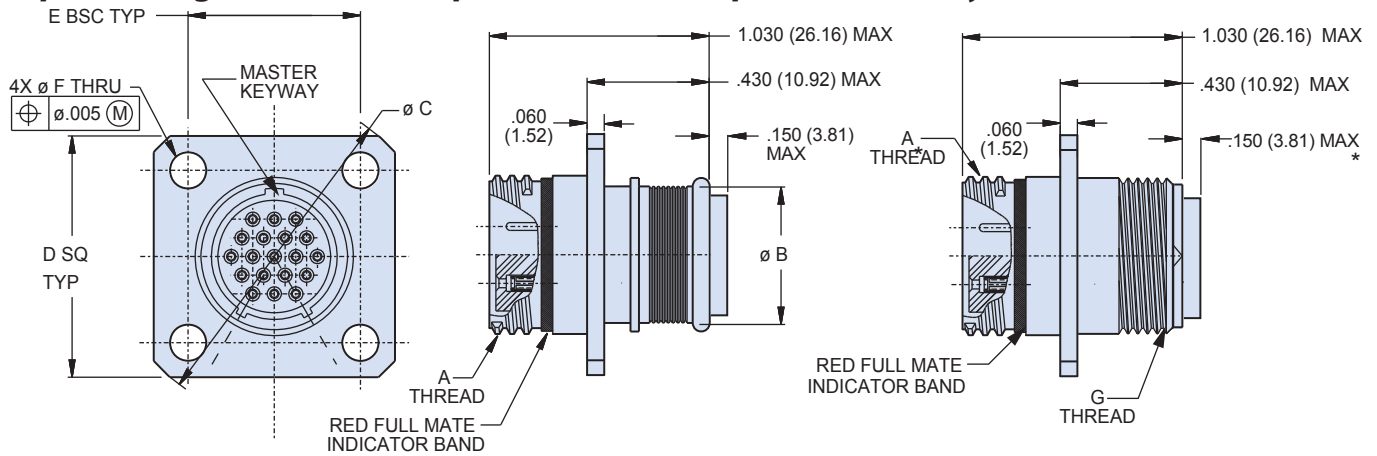
Materials and Finishes	
Connector Shell	Aluminum or Stainless Steel
Insulator	High grade rigid dielectric
Seals	Fluorosilicone Rubber, Blue
Contact Retainer Clip	Copper alloy, Unplated

Dimensions in Inches (millimeters) are subject to change without notice.

Series 805 Mighty Mouse Triple-Start Square Flange Receptacle 805-003-02 and 805-004-02 Dimensions



Square flange, front or rear panel mount receptacle - shell style 02



*Grommet protrudes for
power/combo arrangements

Dimensions												
Shell Size	A		B		ϕ C		ϕ D		E Threads	ϕ F		G Threads Accessory
	In.	mm.	In.	mm.	In.	mm.	\pm .003	\pm .08		In.	mm.	
8	.850	21.59	.660	16.76	1.150	29.21	.094	2.39	.5000-.1P-.3L-TS-2A	.316	8.05	.3750-32 UNEF-2A
9	.913	23.19	.723	18.36	1.230	31.24	.094	2.39	.5625-.1P-.3L-TS-2A	.397	10.08	.4375-28 UNEF-2A
10	.975	24.77	.785	19.94	1.330	33.78	.094	2.39	.6250-.1P-.3L-TS-2A	.472	12.01	.5000-28 UNEF-2A
11	1.039	26.39	.848	21.54	1.410	35.81	.094	2.39	.6875-.1P-.3L-TS-2A	.519	13.18	.5625-24 UNEF-2A
12	1.099	27.91	.909	23.09	1.500	38.10	.094	2.39	.7500-.1P-.3L-TS-2A	.585	14.86	.6250-24 UNEF-2A
15	1.288	32.74	1.058	26.87	1.750	44.45	.128	3.25	.9375-.1P-.3L-TS-2A	.687	17.45	.7500-20 UNEF-2A
18	1.475	37.47	1.255	31.88	2.000	50.80	.128	3.25	1.1250-.1P-.3L-TS-2A	.884	22.45	.9375-20 UNEF-2A
19	1.537	71.06	1.327	33.71	2.094	53.19	.128	3.25	1.1875-.1P-.3L-TS-2A	.884	22.45	.9375-20 UNEF-2A
23	1.787	45.39	1.570	39.88	2.440	61.98	.128	3.25	1.4375-.1P-.3L-TS-2A	1.134	28.80	1.1875-18 UNEF-2A

Performance Specifications	
Operating Temperature	-55° C. to +150° C.
Immersion, Mated	MIL-STD-810 Method 512. One Meter for One Hour.
EMI	65 dB Minimum from 1 GHz. to 10 GHz.

Materials and Finishes	
Connector Shell	Aluminum or Stainless Steel
Insulator	High grade rigid dielectric
Seals	Fluorosilicone Rubber, Blue
Contact Retainer Clip	Copper alloy, Unplated

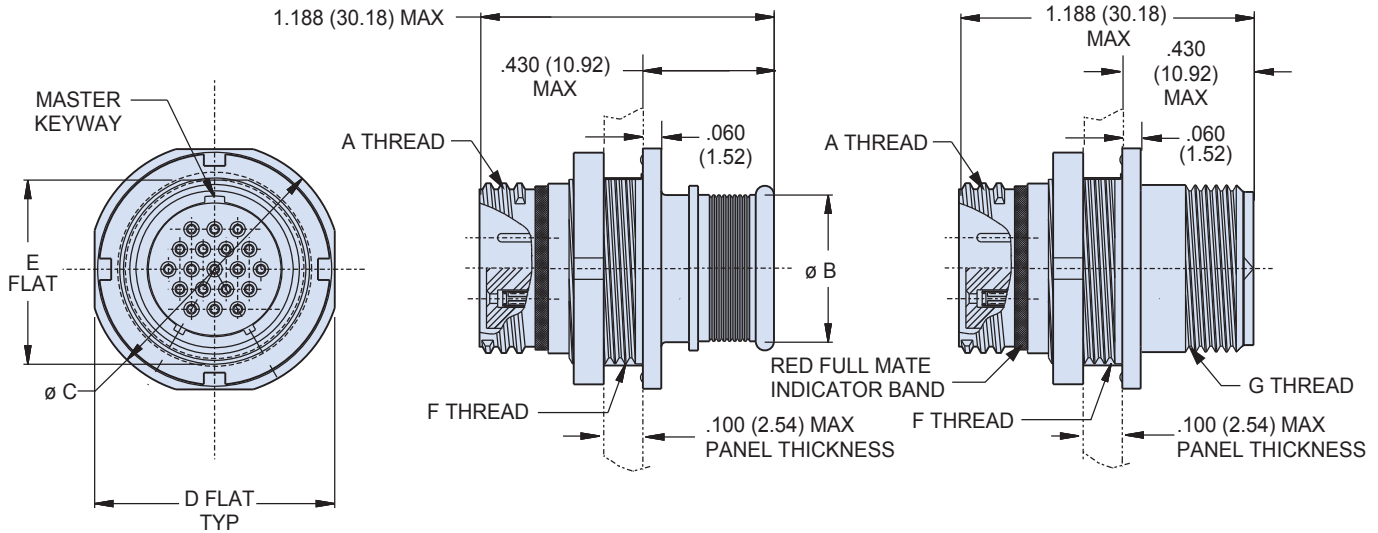
Dimensions in Inches (millimeters) are subject to change without notice.



Series 805 Mighty Mouse Triple-Start Jam Nut Receptacle

805-003-07 and 805-004-07 Dimensions

Jam nut, rear panel mount receptacle - shell style 07



Dimensions

Shell Size	Ø A		B		C		D Threads	Ø E		F Threads	G Threads Accessory
	In.	mm.	In.	mm.	In.	mm.		In.	mm.		
8	.760	19.30	.535	13.59	.730	18.54	.5000-1P-.3L-TS-2A	.317	8.05	.5625-28 UNEF-2A	.3750-32 UNEF-2A
9	.880	22.35	.661	16.79	.850	21.59	.5625-1P-.3L-TS-2A	.397	10.08	.6875-28 UN-2A	.4375-28 UNEF-2A
10	.880	22.35	.661	16.79	.850	21.59	.6250-1P-.3L-TS-2A	.473	12.01	.6875-28 UN-2A	.5000-28 UNEF-2A
11	.955	24.26	.721	18.31	.925	23.50	.6875-1P-.3L-TS-2A	.519	13.18	.7500-28 UN-2A	.5625-24 UNEF-2A
12	1.060	26.92	.784	19.91	1.035	26.29	.7500-1P-.3L-TS-2A	.585	14.86	.8125-28 UN-2A	.6250-24 UNEF-2A
15	1.203	30.56	.970	24.64	1.173	29.79	.9375-1P-.3L-TS-2A	.687	17.45	1.0000-28 UN-2A	.7500-20 UNEF-2A
18	1.389	35.28	1.147	29.13	1.359	34.52	1.1250-1P-.3L-TS-2A	.884	22.45	1.1875-28 UN-2A	.9375-20 UNEF-2A
19	1.450	36.83	1.221	31.01	1.420	36.07	1.1875-1P-.3L-TS-2A	.884	22.45	1.2500-28 UN-2A	.9375-20 UNEF-2A
23	1.705	43.31	1.470	37.34	1.675	42.55	1.4375-1P-.3L-TS-2A	1.134	28.80	1.500-25 UN-2A	1.1875-18 UNEF-2A

Panel Cutout For Jam Nut Receptacle

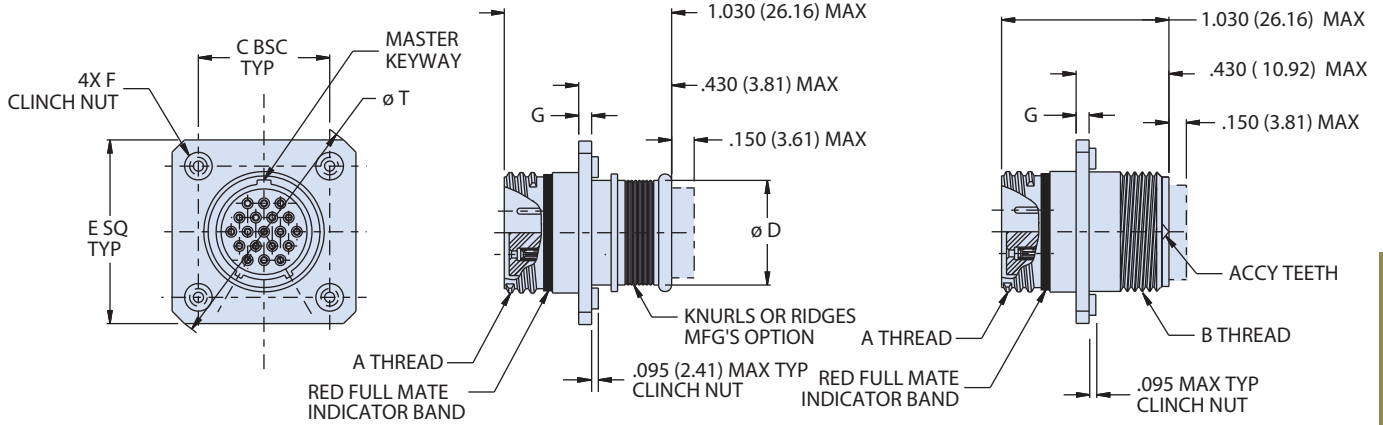
Shell Size	A Flat		Ø B	
	In. ± .002	mm. ± 0.05	In. ± .005	mm. ± 0.13
8	.545/.541	13.84/13.74	.572/.567	14.53/14.40
9	.671/.667	17.04/16.94	.698/.693	17.73/17.60
10	.671/.667	17.04/16.94	.698/.693	17.73/17.60
11	.731/.727	18.57/18.47	.760/.755	19.30/19.18
12	.794/.790	20.17/20.07	.822/.817	20.88/20.75
15	.982/.976	24.94/24.79	1.010/1.006	25.65/25.55
18	1.157/1.153	29.39/29.29	1.198/1.193	30.43/30.30
19	1.231/1.227	31.27/31.17	1.260/1.255	32.00/31.88
23	1.480/1.476	37.60/37.49	1.510/1.505	38.54/38.23

Dimensions in Inches (millimeters) are subject to change without notice.

Series 805 Mighty Mouse Triple-Start
Square Flange, Clinch Nut Receptacle
805-003-12/22 and 805-004-12/22 Dimensions



Square flange, rear panel mount receptacle with clinch nut - shell style 12/22

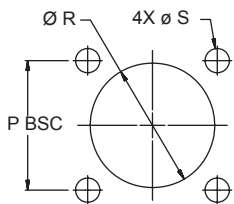


Band Platform
805-003

Accessory Thread
805-004

Dimensions										
Shell Size	A Thread	B Thread	C BSC		Ø D		E SQ		F Clinch Nuts	G
			in.	mm.	in.	mm.	in.	mm.		
8	.5000-.1P-.3L-TS-2A	.3750-32 UNEF-2A	0.660	16.76	1.194	30.33	0.920	23.37	2-56	.030
9	.5625-.1P-.3L-TS-2A	.4375-28 UNEF-2A	0.723	18.36	1.283	32.59	0.983	24.97		
10	.6250-.1P-.3L-TS-2A	.5000-28 UNEF-2A	0.785	19.94	1.371	34.82	1.045	26.54		
11	.6875-.1P-.3L-TS-2A	.5625-24 UNEF-2A	0.848	21.54	1.460	37.08	1.104	28.04		
12	.7500-.1P-.3L-TS-2A	.6250-24 UNEF-2A	0.909	23.09	1.546	39.27	1.169	29.69		
13	.8125-.1P-.3L-TS-2A	.6875-24 UNEF-2A	0.973	24.71	1.637	41.58	1.233	31.32		
15	.9375-.1P-.3L-TS-2A	.7500-20 UNEF-2A	1.058	26.87	1.817	46.15	1.378	35.00		
18	1.1250-.1P-.3L-TS-2A	.9375-20 UNEF-2A	1.255	31.88	2.096	53.24	1.575	40.01		
19	1.1875-.1P-.3L-TS-2A	.9375-20 UNEF-2A	1.327	33.71	2.197	55.80	1.647	41.83		
21	1.3125-.1P-.3L-TS-2A	1.0625-18 UNEF-2A	1.452	36.88	2.380	60.45	1.772	45.01		
23	1.4375-.1P-.3L-TS-2A	1.1875-18 UNEF-2A	1.570	39.88	2.541	64.54	1.890	48.01		

Square Flange Panel Cut Out Dimensions													
Shell Size	P Bsc		Ø R		Ø S		Shell Size	P Bsc		Ø R		Ø S	
	In.	mm.	In.	mm.	In.	mm.		In.	mm.	In.	mm.	In.	mm.
8	0.660	16.76	.515	13.08	.096	2.43	15	1.058	26.87	.953	24.21	.130	3.30
9	0.723	18.36	.578	14.68			18	1.255	31.88	1.140	28.96		
10	0.785	19.94	.640	16.26			19	1.327	33.71	1.203	30.56		
11	0.848	21.54	.703	17.86			21	1.452	36.88	1.328	33.73		
12	0.909	23.09	.765	19.43			23	1.570	39.88	1.453	36.91		
13	0.973	24.71	.828	21.03									



Dimensions in Inches (millimeters) are subject to change without notice.

Series 80 Mighty Mouse
Backshells and Accessories
Table of Contents and Introduction



PRODUCT SELECTION GUIDE



Heat-Shrink Boots

These boots provide strain relief, environmental protection and fit all Series 80 connectors. Straight, 90°, 45°, Long Tail and USB versions.

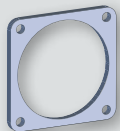
Page X-3



Hex Nuts and Jam Nuts

Mighty Mouse jam nut receptacles are supplied with low-profile spanner nuts. Optional hex nuts are available with safety wire holes.

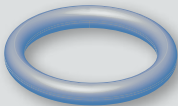
Page X-10



Flange Gaskets

Die-cut flange gaskets provide panel sealing for flange mount receptacles. Available in fluorosilicone, Viton® and conductive fluorosilicone.

Page X-12



Replacement O-rings

Replace lost or damaged O-rings. Available in fluorosilicone, EPDM and conductive fluorosilicone, these O-rings fit Mighty Mouse jam nut receptacles.

Page X-15



Mounting Flange

Replace worn or lost mounting flanges. Offered with standard or metric threads.

Page X-18



Backshells

Thread on rotatable or direct coupling backshells provide strain relief for wire bundles. Upgrade to environmental and EMI protection or select an adapter for banding or shrink boot options. Available in Straight, 45°, or 90°.

Page X-19



Series 800 thru 805 Protective Covers

Thread-on or frictions fit covers provide a watertight seal and prevent damage. Select nylon cord or wire rope lanyards with a range of ring terminal diameters to fit just about any need.

Page X-41



Series 800 Dummy Storage Receptacles

Provide a safe and secure location for cable plugs that are disconnected due to maintenance or repair.

Page X-74

Dimensions in Inches (millimeters) are subject to change without notice.





Series 80 Mighty Mouse Backshells and Accessories

Accessory Thread Information

About accessory thread sizes for Series 80 connectors

Series 80 Connectors accept a variety of thread-on backshells and adapters. This section contains ordering information for these fittings, arranged by thread size.

The Accessory Thread Table below identifies the accessory thread sizes for each Series 80 product type. Find the correct accessory thread code from this table, and use this information to identify the correct accessory part number from the following pages.

Some Mighty Mouse sizes are compatible with MIL-DTL-38999 Series I/II accessories.

The table below lists the D38999 shell sizes which share the same threads with Series 80 connectors.

For example, any accessory which fits a 38999 Series II shell size 8 connector will also fit a Series 800 shell size 7 connector.

How to order a 38999 accessory compatible with Series 80 connectors:

- 1 Find the Series 80 shell size and thread size in the Accessory Thread Table below.
- 2 Find the corresponding 38999 shell size in the right hand column of the table.
- 3 Find a suitable accessory in Glenair's catalog. Use connector designator "F" and the correct shell size from the table.

Accessory thread table

Find the correct accessory thread code from this table, and use this information to identify the correct accessory part number from the following pages.

Series 802 AquaMouse™ connectors are intended for high pressure submersible applications. The accessories in this section are not recommended for use on Series 802 connectors. Contact Glenair for information on special heavy-duty stainless steel accessories for the Series 802.

Accessory Thread	Size Code	Shell Size					
		Series 800	Series 801	Series 803	Series 804	Series 805	38999 Series II
.2500-32 UNEF	05	5	5	5	5		
.3125-32 UNEF	06	6	6	6	6		
.3750-32 UNEF	11					8	
.4375-28 UNEF	07	7	7	7	7	9	8
.5000-28 UNEF	08	8	8	8	8	10	
.5625-24 UNEF	09	9	9	9	9	11	10
.6250-24 UNEF	10	10	10	10	10	12	
.6875-24 UNEF	12	12	11, 13	12	11, 12	13	12
.7500-20 UNEF	13					15	
.9375-20 UNEF	14		16, 17	14, 15	14, 15	18, 19	16
1.0625-18 UNEF	16		19			21	18
1.1875-18 UNEF	17		21			23	20

Using 38999 Series II accessories with Series 80 connectors- some examples

- 1 Using a Swing Arm backshell on a Mighty Mouse connector.

Connector Part Number
801-008-16M9-19PA

Shell Size 9

Shell size 9 Series 801 corresponds to shell size 10 38999 Series II. Use Connector Designator "F" and shell size 10 in the part number:

Backshell Part Number
319F064X010

Connector Designator F

Shell Size 10

- 2 Using a TAG® Ring backshell on a Mighty Mouse connector.

Connector Part Number
804-002-06NF14-55P

Shell Size 14

Shell size 14 Series 804 corresponds to shell size 16 38999 Series II. Use Connector Designator "F" and shell size "16" in the part number:

Backshell Part Number
400FS001NF1606L6

Connector Designator F

Shell Size 16

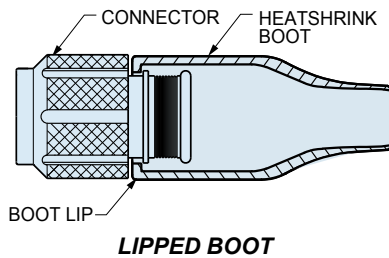
Dimensions in Inches (millimeters) are subject to change without notice.

Series 80 Mighty Mouse Backshells and Accessories

809S060, 809SL060, 809A060, 809B060 and 809SU060



Shrink Boots – Straight, Long Tail, 90°, 45° and USB for Series 80 Connectors



Protect Your Cable Harness with heat-shrinkable boots. These easy-to-use boots provide excellent electrical, mechanical and environmental protection. Heating the boot causes the boot to shrink onto the connector and cable. An adhesive lining bonds the boot to the connector and cable and fills small gaps for a complete seal. Choose straight cable exit or right angle exit. These lipped boots attach directly to Series 80 Mighty Mouse HD connectors with integral band platform. After shrinking, the boot lip locks into groove. Choose Type 1 high performance elastomer for extreme temperatures and excellent resistance to fuels and oils or Type 2 non-halogenated flame-retardant polyolefin for use where limited fire hazard is required.

Material Selection Guide

Attribute	Type 1 High Performance Semi-Rigid Elastomer	Type 2 Zero Halogen Polyolefin	Type 9 Low-Temp Flexible Polyolefin – USB ONLY –
Continuous Operating Temp.	-75° to +165°C	-40° to +130°C	-40° to +100°C
Resistance to Fuels, Oils	Excellent	Very Good	Very Good
Low Toxicity, Zero Halogen	No	Yes	No

Type 1 High performance Elastomer

Semi-rigid high performance boots combine excellent resistance to fuels, oils and solvents with superior performance at extreme temperatures. Rated for 3000 hours continuous operation at +165° C, these boots fit most standard boot adapters for circular connectors. Material meets the requirements of VG95343 Type 6, BSG 198-5-DE, EN62329-102 and SAE AS5258 Type H. These boots are recommended for demanding applications such as military vehicles and petrochemical exploration. Standard Black color.

Type 2 Zero halogen

Halogen-free polyolefin boots meet low smoke and toxicity requirements of shipboard, transit and aircraft systems. These Low Smoke/Zero Halogen (LSZH) boots fit most standard shrink boot adapters, including M85049 types along with Glenair Series 31 and Series 44 adapters. Oxygen index greater than 30%, smoke index less than 20, and toxicity index under 3 per 100 grams. Material meets requirements of NAVSEA 5617649, VG95343 Part 29, BSG 198-5-DF, EN62329-101 and SAE AS5258 Type G. Resistance to oils, fuels and solvents. The boots provide strain relief and environmental protection to connector/cable transitions. Temperature rating -40° C to +130° C. Standard Black color.

Type 9 Low Temp Flexible Polyolefin (Standard for USB)

Lipped Straight USB Shrink Boots are available only in Type 9 Flexible Polyolefin which is designed for a low installation temperature of less than 80°C. Operating temperature range of -40° C to 100° C. Standard Black color.

Dimensions in Inches (millimeters) are subject to change without notice.





Series 80 Mighty Mouse Shrink Boots Boot Material Properties

Adhesive lined boot material properties

Heat-shrink boots are not watertight unless equipped with factory-installed or user-installed adhesives. When heat is applied to the boot, the adhesive melts and fixes the boot to the adapter and cable jacket to provide the necessary sealing as well as mechanical strain-relief. Hot melt thermoplastic polyamide adhesive is compatible with most cable jackets, economical and easy to install.

Shrink Boot Typical Material Properties

Property	Type 1 High Performance Elastomer	Type 2 Zero Halogen Polyolefin	Type 9* Low Temperature Flexible Polyolefin
Flexibility	Semi-rigid	Semi-flexible	Flexible
Operating Temperature Range	-75°C to +165°C	-40°C to +130°C	-40°C to +100°C
Shrink Temperature (min.)	135°C	135°C	<80°C
Tensile Strength (psi)	1700	1100	1740
Elongation (% min.)	400	250	500
Long Term Heat Aging	3000 hrs, 150°C	3000 hrs, 135°C	168 hrs, 150°C
Heat Shock	4 hrs, 215°C	4 hrs, 215°C	4 hrs, 160°C
Heat Aging	168 hrs, 160°C	168 hrs, 160°C	168 hrs, 160°C
Dielectric Strength (V/mil)	300	380	10 M
Volume Resistivity (ohms-cm)	10 ¹³	10 ¹²	10 ¹²
Water Absorption (%)	0.5	0.5	0.5
Flammability	Burn Time <15 sec Burn Length <25mm	Burn Time <15 sec Burn Length <25mm	Burn Time <120 sec Burn Length <25mm
RoHS Compliant	Yes	Yes	Yes
Oxygen Index (% min.)	N/A	30	N/A
Temperature Index (°C)	N/A	250	N/A
Smoke Index (max.)	N/A	20	N/A
Toxicity Index (max.)	N/A	3	N/A

* Note: Type 9 Low-Temp Flexible Polyolefin is the standard material for the USB Shrink Boot.

Shrink Boot Fluid Resistance

Fluid	Type 1 High Performance Elastomer	Type 2 Zero Halogen Polyolefin
Lubricating Oil	Very good	Good
Hydraulic Fluid	Very Good	Good
Aviation Fuel	Very Good	Good
Gasoline	Very Good	Fair
De-Icing Fluid	Excellent	Very Good
Automotive Diesel	Good	Fair

W1 and W2 Adhesive Properties

Attribute	W1 Standard High Temperature Hot Melt Adhesive (All Boots Except USB)	W2 Standard Hot Melt Adhesive For USB Type 9 Boots Only
Boot Material Compatibility	Type 1 and 2	Type 9 Only
Continuous Operating Temp.	-65° to +125°C	-40° to +80°C
Resistance to Fuels, Oils & Fluids	Good	Good
Low Toxicity, Zero Halogen	Yes	Yes

Material Color Options for Type 1 High Performance Elastomer Only
Add Optional Color Mod Code to End of Any Type 1 Material Part Number

Mod Code	Color	Similar to (Reference)	Mod Code	Color	Similar to (Reference)
632 B	Blue	PANTONE 3005U	632 R	Red	PANTONE 1797U
632 E	Grey	FED-STD-595; #36270	632 T	Tan	FED-STD-595; #33446
632 G	Green	PANTONE 355U	632 W	White	FED-STD-595; #37875
632 P	Purple	FED-STD-595; #37100	632 Y	Yellow	PANTONE YELLOW U
632 O	Orange	FED-STD-595; #32300	Standard	Black	FED-STD-595; #37038

Dimensions in Inches (millimeters) are subject to change without notice.

**Series 80 Mighty Mouse
Backshells and Accessories**
809S060, 809A060 and 809B060 Shrink Boots



Lipped straight shrink boots-Type 1 high performance elastomer

- 75° C to +165° C
- Excellent resistance to fuels, oils, solvents and heat.

Fully recovered boot shown. As supplied part will vary.



Boot Size	Shell Size			Part Number Pre-Coated with W1 Hi-Temp Hot-Melt Adhesive
	Series 800, 801, 802, 803, 804	Series 805	Series 811	
1	5/6	8	5	809S060-1
2	7	9	6,7	809S060-2
3	8, 9	10, 11	8,9	809S060-3
4	10, 11, 12, 13	12, 15	N/A	809S060-4
5	14, 15, 16, 17	18, 19	N/A	809S060-5
6	19, 21	23	N/A	809S060-6

Lipped straight shrink boots- Type 2 zero halogen

- Low Smoke, Zero Halogen
- Meets U.S. and E.U. toxicity requirements.

Fully recovered boot shown. As supplied part will vary.



Boot Size	Shell Size			Part Number Pre-Coated with W1 Hi-Temp Hot-Melt Adhesive
	Series 800, 801, 802, 803, 804	Series 805	Series 811	
1	5/6	8	5	809S060-1H
2	7	9	6,7	809S060-2H
3	8, 9	10, 11	8,9	809S060-3H
4	10, 11, 12, 13	12, 15	N/A	809S060-4H
5	14, 15, 16, 17	18, 19	N/A	809S060-5H
6	19, 21	23	N/A	809S060-6H

Lipped 90° right angle shrink boots- Type 1 high performance elastomer

- 75° C to +165° C
- Excellent resistance to fuels, oils, solvents and heat.

Fully recovered boot shown. As supplied part will vary.



Boot Size	Shell Size			Part Number Pre-Coated with W1 Hi-Temp Hot-Melt Adhesive
	Series 800, 801, 802, 803, 804	Series 805	Series 811	
1	5/6	8	5	809A060-1
2	7	9	6,7	809A060-2
3	8, 9	10, 11	8,9	809A060-3
4	10, 11, 12, 13	12, 15	N/A	809A060-4
5	14, 15, 16, 17	18, 19	N/A	809A060-5
6	19, 21	23	N/A	809A060-6

Lipped 90° right angle shrink boots- Type 2 zero halogen

- Low Smoke, Zero Halogen
- Meets U.S. and E.U. toxicity requirements.

Fully recovered boot shown. As supplied part will vary.



Boot Size	Shell Size			Part Number Pre-Coated with W1 Hi-Temp Hot-Melt Adhesive
	Series 800, 801, 802, 803, 804	Series 805	Series 811	
1	5/6	8	5	809A060-1H
2	7	9	6,7	809A060-2H
3	8, 9	10, 11	8,9	809A060-3H
4	10, 11, 12, 13	12, 15	N/A	809A060-4H
5	14, 15, 16, 17	18, 19	N/A	809A060-5H
6	19, 21	23	N/A	809A060-6H

Lipped 45° angle shrink boots- Type 1 high performance elastomer

- 75° C to +165° C
- Excellent resistance to fuels, oils, solvents and heat.

Fully recovered boot shown. As supplied part will vary.



Boot Size	Shell Size		Part Number Pre-Coated with W1 Hi-Temp Hot-Melt Adhesive
	Series 800, 801, 802, 803, 804	Series 805	
1	5/6	8	809B060-1
2	7	9	809B060-2
3	8, 9	10, 11	809B060-3
4	10, 11, 12, 13	12, 15	809B060-4
5	14, 15, 16, 17	18, 19	809B060-5
6	19, 21	23	809B060-6

Dimensions in Inches (millimeters) are subject to change without notice.



Lipped 45° angle shrink boots- Type 2 Zero halogen

- Low Smoke, Zero Halogen
- Meets U.S. and E.U. toxicity requirements.



Boot Size	Shell Size		Part Number
	Series 800, 801, 802, 803, 804	Series 805	Pre-Coated with W1 Hi-Temp Hot-Melt Adhesive
1	5/6	8	809B060-1H
2	7	9	809B060-2H
3	8, 9	10, 11	809B060-3H
4	10, 11, 12, 13	12, 15	809B060-4H
5	14, 15, 16, 17	18, 19	809B060-5H
6	19, 21	23	809B060-6H

Lipped straight long tail shrink boots- Type 1 high performance elastomer

- 75° C to +165° C
- Excellent resistance to fuels, oils, solvents and heat.



Boot Size	Shell Size		Part Number
	Series 800, 801, 802, 803, 804	Series 805	Pre-Coated with W1 Hi-Temp Hot-Melt Adhesive
1	5/6	8	809SL060-1
2	7	9	809SL060-2
3	8/9	10/11	809SL060-3
4	10/11/12/13	12/15	809SL060-4

Lipped straight long tail shrink boots- Type 2 zero halogen

- Low Smoke, Zero Halogen
- Meets U.S. and E.U. toxicity requirements.



Boot Size	Shell Size		Part Number
	Series 800, 801, 802, 803, 804	Series 805	Pre-Coated with W1 Hi-Temp Hot-Melt Adhesive
1	5/6	8	809SL060-1H
2	7	9	809SL060-2H
3	8/9	10/11	809SL060-3H
4	10/11/12/13	12/15	809SL060-4H

Lipped straight USB shrink boots- Type 9 low-temp flexible polyolefin

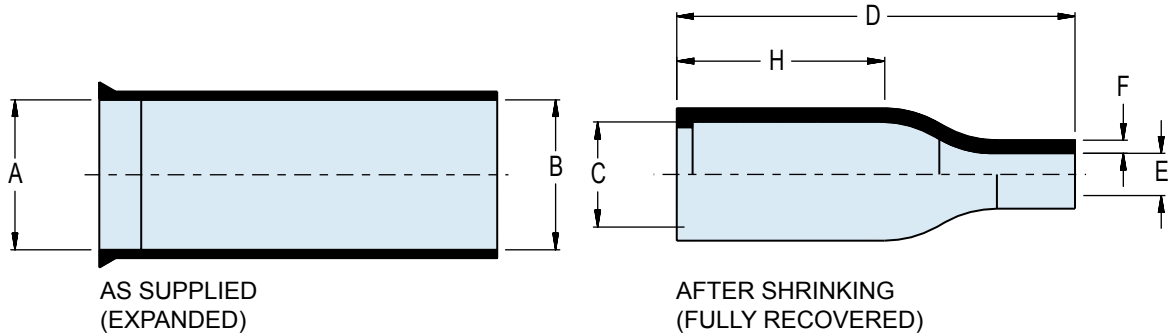
- 40° C to +100° C
- Same excellent physical properties within a limited temperature range.



Boot Size	Shell Size	Part Number
	Series 801, 804, 805	Pre-Coated with W2 Hot-Melt Adhesive
1	7, 8	809SU060-1

Dimensions in Inches (millimeters) are subject to change without notice.

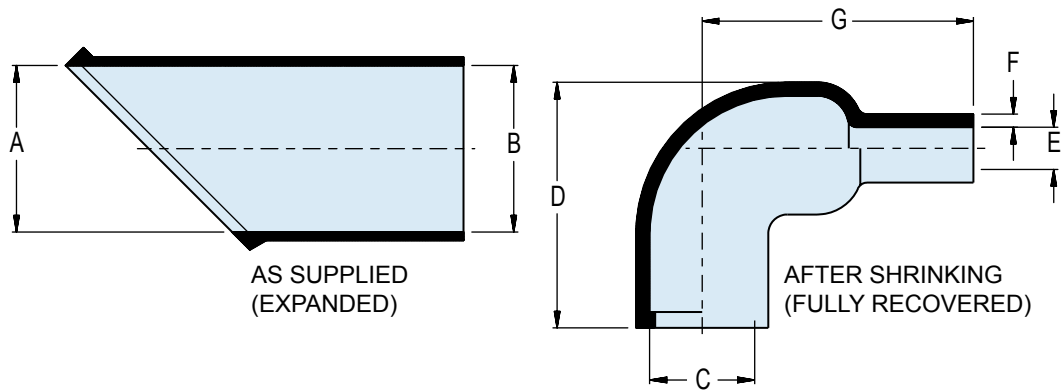
Lipped straight shrink boots- dimensions



Boot Size	A Min.		B Min.		C Max.		D Ref.		E Max.		F Ref.		H Ref.		Cable Range			
	In.	mm.	In.	mm.	In.	mm.	In.	mm.	In.	mm.	In.	mm.	In.	mm.	Maximum		Minimum	
															In.	mm.	In.	mm.
1	.390	9.91	.390	9.91	.260	6.60	1.370	34.80	.080	2.03	.030	0.76	.750	19.05	.230	5.84	.100	2.54
2	.669	16.99	.669	16.99	.300	7.62	1.500	38.10	.140	3.56	.032	0.81	.750	19.05	.500	12.70	.170	4.32
3	.945	24.00	.945	24.00	.390	9.91	1.500	38.1	.200	5.08	.035	0.89	.750	19.05	.800	20.32	.240	6.10
4	1.181	30.00	1.181	30.00	.550	13.97	2.170	55.12	.240	6.10	.039	0.99	1.180	29.97	1.020	25.91	.280	7.11
5	1.260	32.00	1.260	32.00	.710	18.03	2.640	67.06	.280	7.11	.039	0.99	1.300	33.02	1.120	28.45	.300	7.62
6	1.417	35.99	1.417	35.99	.900	22.86	3.150	80.01	.330	8.38	.047	1.19	1.570	39.88	1.200	30.48	.350	8.89



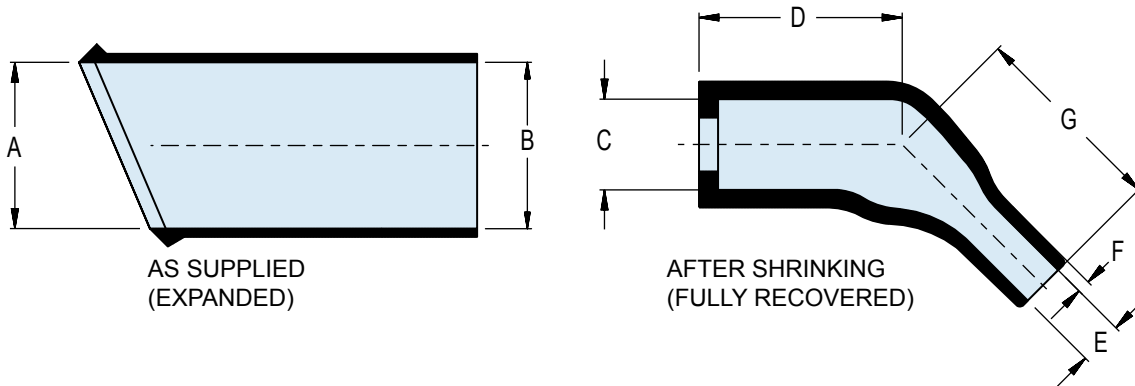
Lipped 90° right angle shrink boots- dimensions



Boot Size	A Min.		B Min.		C Max.		D Ref.		E Max.		F Ref.		G Ref.		Cable Range			
	In.	mm.	In.	mm.	In.	mm.	In.	mm.	In.	mm.	In.	mm.	In.	mm.	Maximum		Minimum	
															In.	mm.	In.	mm.
1	.390	9.91	.390	9.91	.260	6.60	.790	20.07	.095	2.41	.032	0.81	.750	19.05	.230	5.84	.100	2.54
2	.669	16.99	.669	16.99	.310	7.87	.790	20.07	.140	3.56	.032	0.81	.790	20.07	.500	12.70	.170	4.32
3	.945	24.00	.945	24.00	.390	9.91	.980	24.89	.200	5.08	.040	1.02	.980	24.89	.800	20.32	.240	6.10
4	1.181	30.00	1.181	30.00	.530	13.46	1.060	26.92	.220	5.59	.046	1.17	1.260	32.00	1.020	25.91	.270	6.86
5	1.260	32.00	1.260	32.00	.710	18.03	1.260	32.00	.280	7.11	.052	1.32	1.540	39.12	1.120	28.45	.300	7.62
6	1.417	35.99	1.417	35.99	.900	22.86	1.500	38.10	.330	8.38	.052	1.32	1.930	49.02	1.200	30.48	.350	8.89

Dimensions in Inches (millimeters) are subject to change without notice.

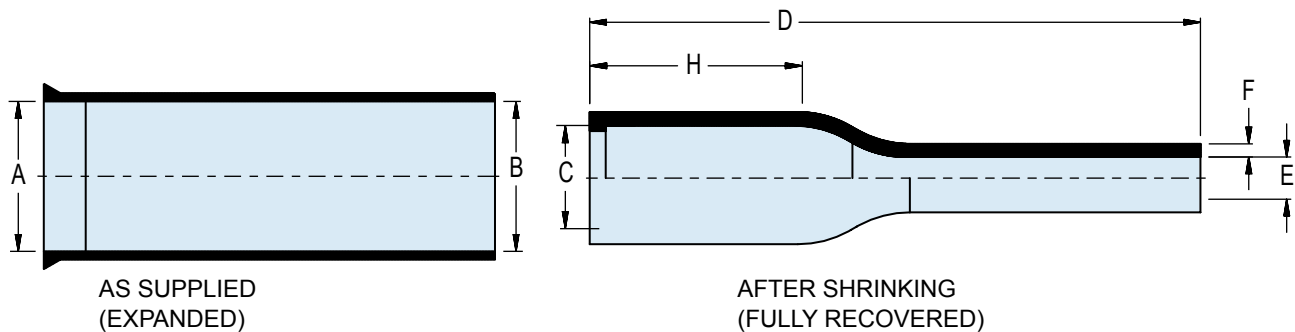
Lipped 45° angle shrink boots- dimensions



X

Boot Size	A Min.		B Min.		C Max.		D Ref		E Max.		F Ref.		G Ref.		Cable Range			
	In.	mm.	In.	mm.	In.	mm.	In.	mm.	In.	mm.	In.	mm.	In.	mm.	Max. In.	Max. mm.	Min. In.	Min. mm.
1	.390	9.9	.390	9.9	.260	6.60	.600	15.24	.080	2.03	.030	0.76	.560	14.22	.230	5.84	.100	2.54
2	.669	17.0	.669	17.0	.300	7.62	.640	16.26	.140	3.56	.035	0.89	.620	15.75	.500	12.70	.170	4.32
3	.945	24.0	.945	24.0	.390	9.91	.500	12.7	.160	4.06	.040	1.02	.750	19.05	.800	20.32	.240	6.10
4	1.181	30.0	1.181	30.0	.550	13.97	.748	19.00	.230	5.84	.043	1.09	1.180	29.97	1.020	25.91	.280	7.11
5	1.260	32.0	1.260	32.0	.710	18.03	.984	24.99	.280	7.11	.065	1.65	1.380	35.05	1.120	28.45	.300	7.62
6	1.417	35.99	1.417	35.99	.900	22.86	1.260	32.00	.330	8.38	.065	1.65	1.570	39.88	1.200	30.48	.350	8.89

Lipped straight long tail shrink boots- dimensions



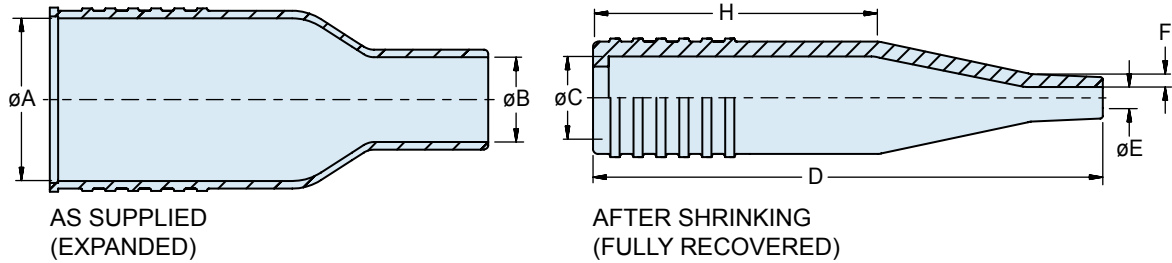
Boot Size	A Min.		B Min.		C Max.		D Ref		E Max.		F Ref.		H Ref.		Cable Range			
	In.	mm.	In.	mm.	In.	mm.	In.	mm.	In.	mm.	In.	mm.	In.	mm.	Max. In.	Max. mm.	Min. In.	Min. mm.
1	.390	9.9	.390	9.9	.280	7.11	2.500	63.50	.080	2.03	.045	1.14	.750	19.05	.230	5.84	.100	2.54
2	.669	17.0	.669	17.0	.310	7.87	2.500	63.50	.140	3.56	.045	1.14	.750	19.05	.500	12.70	.170	4.32
3	.945	24.0	.945	24.0	.390	9.91	2.500	63.50	.200	5.08	.045	1.14	.750	19.05	.800	20.32	.240	6.10
4	1.181	30.0	1.181	30.0	.550	13.97	3.000	76.20	.240	6.10	.045	1.14	1.180	29.97	1.020	25.91	.280	7.11

Dimensions in Inches (millimeters) are subject to change without notice.

Series 80 Mighty Mouse
Backshells and Accessories
809S060, 809A060 Shrink Boots



Lipped straight USB shrink boots- dimensions



Boot Size	A Min.		B Min.		C Max.		D Ref		E Max.		F Ref.		H Ref.		Cable Range			
	In.	mm.	In.	mm.	In.	mm.	In.	mm.	In.	mm.	In.	mm.	In.	mm.	Max. In.	Max. mm.	Min. In.	Min. mm.
1	.550	13.97	.360	9.14	.330	8.38	2.000	50.80	.090	2.29	.055	1.40	1.130	28.70	.250	6.35	.090	2.29



Dimensions in Inches (millimeters) are subject to change without notice.

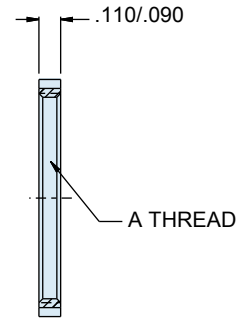
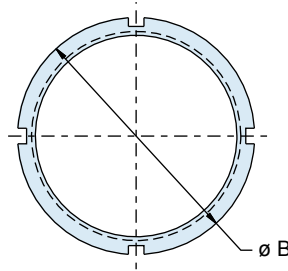


Series 80 Mighty Mouse Backshells and Accessories

Jam Nuts 809-094

Jam nut for Mighty Mouse connectors

Replace lost or damaged jam nuts with these standard replacement parts. Jam nut fits all Series 80 jam nut receptacles. Use with Glenair tool 600-146



X

How To Order			
Sample Part Number	809-094	-M	7
Series (See Table I)	809-094		
Shell Material and Finish	C = Aluminum / Black Anodize (Non-Conductive) RoHS Compliant		
	M = Aluminum / Electroless Nickel		
	NF = Aluminum / Cadmium with Olive Drab		
	ZN = Aluminum / Zinc-Nickel with Olive Drab Chromate		
	Z1 = Stainless Steel / Passivated		
Dash No.	See Table I		

Dash No.	800	801	804		805	A Thread Class 2B	B Dia
			-00 style	-07 style			
1	5					.3125-28 UN-2B	0.43
2	6	5				.3750-28 UN-2B	0.50
3	7	6				.4375-28 UNEF-2B	0.56
3-3				5		.4375-32 UN-2B	0.56
4	8		5	6		.5000-32 UN-2B	0.62
5					8	.5625-28 UN-2B	0.68
5-5	9	7,8	6			.5625-32 UN-2B	0.68
6		9		7,8		.6250-28 UN-2B	0.75
6-6	10					.6250-32 UN-2B	0.75
7		10	7,8	9	9,10	.6875-28 UN-2B	0.81
8	12	11	9	10	11	.7500-28 UN-2B	0.87
9			10	11	12	.8125-28 UN-2B	0.93
10	14	13	11	12	13	.8750-28 UN-2B	1.00
11	15					.9375-28 UN-2B	1.06
12			12	14	15	1.0000-28 UN-2B	1.12
13		16	14	15		1.0625-20 UN-2B	1.18
14		17	15			1.1250-28 UN-2B	1.25
15					18	1.1875-28 UN-2B	1.31
16		19			19	1.2500-28 UN-2B	1.37
18		21			21	1.3750-28 UN-2B	1.50
20					23	1.5000-28 UN-2B	1.62

Dimensions in Inches (millimeters) are subject to change without notice.

Series 80 Mighty Mouse Backshells and Accessories

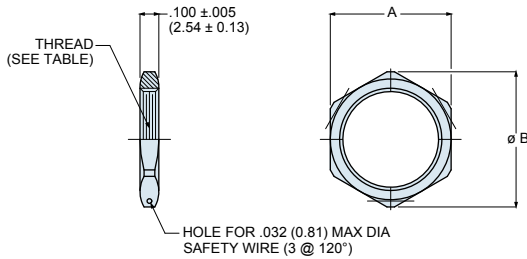
Hex Nuts 809-035



Hex jam nuts for Mighty Mouse receptacles



Replace low-profile spanner-style jam nuts with hex nuts for applications where jam nuts must be safety-wired to prevent loosening. These hex nuts fit all standard Series 80 jam nut receptacles except for Series 803 bayonet-coupling versions. Use Glenair Modification Code 501 to specify hex nuts to be supplied with connector.



How To Order				
Sample Part Number	809-035	-M	03	W
Series (See Table I)	809-035			
Shell Material and Finish	C = Aluminum / Black Anodize (Non-Conductive) RoHS Compliant M = Aluminum / Electroless Nickel NF = Aluminum / Cadmium with Olive Drab ZN = Aluminum / Zinc-Nickel with Olive Drab Chromate Z1 = Stainless Steel / Passivated			
Dash No.	See Table			
Wire Holes	W = Wire Holes Omit for none			

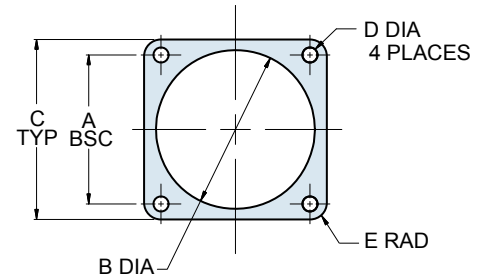
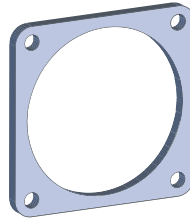


Dash No	Thread Size Class 2B	Part Number						Dimensions			
		Aluminum				Stainless Steel		A Hex		B Dia.	
		Electroless Nickel	Olive Drab Cadmium	Black Zinc Nickel	Nickel-PTFE	Passivated	Black Zinc-Cobalt	In.	mm.	In.	mm.
01	.2500-32 UNEF	809-035M01W	809-035NF01W	809-035ZNU01W	809-035MT01W	809-035Z101W	809-035ZC01W	.375	9.53	.403	10.24
02	.3125-28 UN	809-035M02W	809-035NF02W	809-035ZNU02W	809-035MT02W	809-035Z102W	809-035ZC02W	.4375	11.11	.475	12.07
03	.3125-32 UNEF	809-035M03W	809-035NF03W	809-035ZNU03W	809-035MT03W	809-035Z103W	809-035ZC03W	.4375	11.11	.475	12.07
04	.3750-28 UN	809-035M04W	809-035NF04W	809-035ZNU04W	809-035MT04W	809-035Z104W	809-035ZC04W	.500	12.70	.547	13.89
05	.4375-28 UNEF	809-035M05W	809-035NF05W	809-035ZNU05W	809-035MT05W	809-035Z105W	809-035ZC05W	.5625	14.29	.620	15.75
23	.5000-32 UN	809-035M23W	809-035NF23W	809-035ZNU23W	809-035MT23W	809-035Z123W	809-035ZC23W	.625	15.88	.690	17.53
06	.5625-24 UNEF	809-035M06W	809-035NF06W	809-035ZNU06W	809-035MT06W	809-035Z106W	809-035ZC06W	.6875	17.46	.755	19.18
16	.5625-28 UN	809-035M16W	809-035NF16W	809-035ZNU16W	809-035MT16W	809-035Z116W	809-035ZC16W	.6875	17.46	.755	19.18
07	.5625-32 UN	809-035M07W	809-035NF07W	809-035ZNU07W	809-035MT07W	809-035Z107W	809-035ZC07W	.6875	17.46	.755	19.18
08	.6250-28 UN	809-035M08W	809-035NF08W	809-035ZNU08W	809-035MT08W	809-035Z108W	809-035ZC08W	.750	19.05	.830	21.08
09	.6875-28 UN	809-035M09W	809-035NF09W	809-035ZNU09W	809-035MT09W	809-035Z109W	809-035ZC09W	.8125	20.64	.898	22.81
10	.7500-28 UN	809-035M10W	809-035NF10W	809-035ZNU10W	809-035MT10W	809-035Z110W	809-035ZC10W	.875	22.23	.970	24.64
17	.8125-28 UN	809-035M17W	809-035NF17W	809-035ZNU17W	809-035MT17W	809-035Z117W	809-035ZC17W	.9375	23.81	1.030	26.16
11	.8750-28 UN	809-035M11W	809-035NF11W	809-035ZNU11W	809-035MT11W	809-035Z111W	809-035ZC11W	1.000	25.40	1.078	27.38
12	.9375-20 UNEF	809-035M12W	809-035NF12W	809-035ZNU12W	809-035MT12W	809-035Z112W	809-035ZC12W	1.0625	26.99	1.187	30.15
13	.9375-28 UN	809-035M13W	809-035NF13W	809-035ZNU13W	809-035MT13W	809-035Z113W	809-035ZC13W	1.063	27.00	1.187	30.15
18	1.0000-28 UN	809-035M18W	809-035NF18W	809-035ZNU18W	809-035MT18W	809-035Z118W	809-035ZC18W	1.125	28.58	1.200	30.48
14	1.0625-20 UN	809-035M14W	809-035NF14W	809-035ZNU14W	809-035MT14W	809-035Z114W	809-035ZC14W	1.188	30.18	1.264	32.11
15	1.1250-28 UN	809-035M15W	809-035NF15W	809-035ZNU15W	809-035MT15W	809-035Z115W	809-035ZC15W	1.250	31.75	1.325	33.66
19	1.1875-28 UN	809-035M19W	809-035NF19W	809-035ZNU19W	809-035MT19W	809-035Z119W	809-035ZC19W	1.313	33.35	1.415	35.94
20	1.2500-28 UN	809-035M20W	809-035NF20W	809-035ZNU20W	809-035MT20W	809-035Z120W	809-035ZC20W	1.375	34.93	1.490	37.85
22	1.3750-28 UN	809-035M22W	809-035NF22W	809-035ZNU22W	809-035MT22W	809-035Z122W	809-035ZC22W	1.500	38.1	1.625	41.28
21	1.5000-28 UN	809-035M21W	809-035NF21W	809-035ZNU21W	809-035MT21W	809-035Z121W	809-035ZC21W	1.625	41.28	1.750	44.45

Dimensions in Inches (millimeters) are subject to change without notice.

Flange gaskets for series 800 mighty mouse receptacles

These flange gaskets provide sealing between square flange receptacles and the mounting panel. Choose fluorosilicone, Viton®, or conductive fluorosilicone material (Chomerics 1298 silver-filled). Gaskets are .032" (0.8) thick.

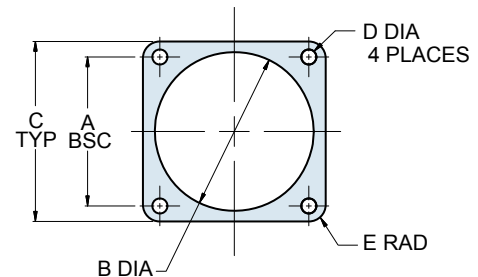
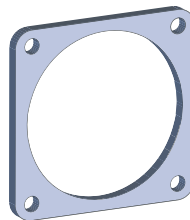


Shell Size	Part Number			Dimensions									
	Fluorosilicone	Viton®	Conductive Fluorosilicone	A Bsc.		B Dia.		C Typ.		D Dia.		E Rad.	
				In.	mm.	In.	mm.	In.	mm.	In.	mm.	In.	mm.
5	809-108F01	809-108V01	809-108X01	.363	9.22	.342	8.69	.527	13.39	.093	2.36	.078	1.98
6	809-108F02	809-108V02	809-108X02	.423	10.74	.405	10.29	.588	14.94	.093	2.36	.078	1.98
7	809-108F03	809-108V03	809-108X03	.483	12.27	.467	11.86	.650	16.51	.125	3.18	.078	1.98
8	809-108F04	809-108V04	809-108X04	.542	13.77	.530	13.46	.709	18.01	.125	3.18	.078	1.98
9	809-108F05	809-108V05	809-108X05	.719	18.26	.593	15.06	.938	23.83	.125	3.18	.105	2.67
10	809-108F06	809-108V06	809-108X06	.719	18.26	.655	16.64	.938	23.83	.125	3.18	.105	2.67
12	809-108F07	809-108V07	809-108X07	.812	20.62	.780	19.81	1.031	26.19	.125	3.18	.105	2.67

X

Flange gaskets for series 801 mighty mouse receptacles

These flange gaskets provide sealing between square flange receptacles and the mounting panel. Choose fluorosilicone, Viton®, or conductive fluorosilicone material (Chomerics 1298 silver-filled). Gaskets are .032" (0.8) thick.



Shell Size	Part Number			Dimensions									
	Fluorosilicone	Viton®	Conductive Fluorosilicone	A Bsc.		B Dia.		C Typ.		D Dia.		E Rad.	
				In.	mm.	In.	mm.	In.	mm.	In.	mm.	In.	mm.
5	809-108F11	809-108V11	809-108X11	.363	9.22	.342	8.69	.530	13.46	.093	2.36	.078	1.98
6	809-108F12	809-108V12	809-108X12	.423	10.74	.405	10.29	.590	14.99	.093	2.36	.078	1.98
7	809-108F13	809-108V13	809-108X13	.483	12.27	.467	11.86	.650	16.51	.093	2.36	.078	1.98
8	809-108F14	809-108V14	809-108X14	.545	13.84	.530	13.46	.712	18.08	.093	2.36	.078	1.98
9	809-108F16	809-108V16	809-108X16	.607	15.42	.560	14.22	.850	21.59	.125	3.18	.105	2.67
10	809-108F15	809-108V15	809-108X15	.670	17.02	.655	16.64	.890	22.61	.125	3.18	.105	2.67
11	809-108F45	809-108V45	809-108X45	.715	18.16	.717	18.21	.935	23.75	.125	3.18	.105	2.67
13	809-108F17	809-108V17	809-108X17	.812	20.62	.842	21.39	1.030	26.16	.125	3.18	.105	2.67
16	809-108F18	809-108V18	809-108X18	.981	24.92	1.030	26.16	1.219	30.96	.125	3.18	.105	2.67
17	809-108F19	809-108V19	809-108X19	1.060	26.92	1.092	27.74	1.280	32.51	.125	3.18	.105	2.67
19	809-108F44	809-108V44	809-108X44	1.191	30.25	1.218	30.94	1.432	36.37	.125	3.18	.105	2.67
21	809-108F43	809-108V43	809-108X43	1.322	33.58	1.332	33.83	1.570	39.88	.125	3.18	.105	2.67

Dimensions in Inches (millimeters) are subject to change without notice.

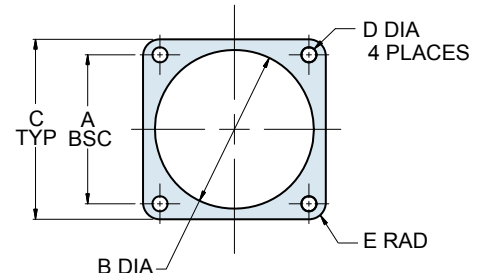
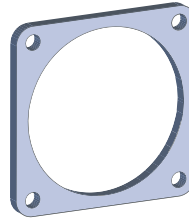
Series 80 Mighty Mouse Backshells and Accessories

Flange Gaskets 809-108



Flange gaskets for Series 802 Mighty Mouse receptacles

These flange gaskets provide sealing between square flange receptacles and the mounting panel. Choose fluorosilicone, Viton, or neoprene material. Gaskets are .032" (0.8) thick.

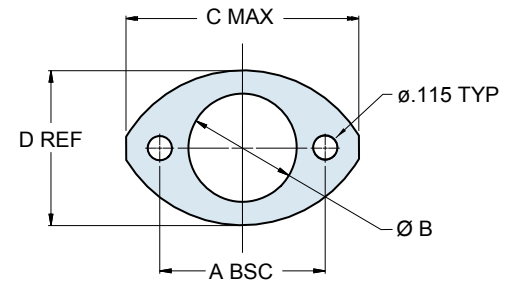
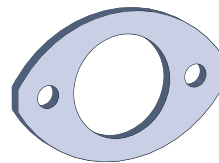


Shell Size	Part Number			Dimensions									
	Fluorosilicone	Viton®	Neoprene	A Bsc.		B Dia.		C Typ.		D Dia.		E Rad.	
				In.	mm.	In.	mm.	In.	mm.	In.	mm.	In.	mm.
5	809-108F51	809-108V51	809-108N51	.500	12.70	.448	11.38	.885	22.48	.125	3.18	.105	2.67
6	809-108F52	809-108V52	809-108N52	.625	15.88	.572	14.53	1.010	25.65	.125	3.18	.105	2.67
7	809-108F53	809-108V53	809-108N53	.688	17.48	.635	16.13	1.072	27.23	.125	3.18	.105	2.67
8	809-108F54	809-108V54	809-108N54	.750	19.05	.698	17.73	1.135	28.83	.125	3.18	.105	2.67
9	809-108F55	809-108V55	809-108N55	.812	20.62	.760	19.30	1.195	30.35	.125	3.18	.105	2.67
10	809-108F56	809-108V56	809-108N56	.875	22.23	.822	20.88	1.260	32.00	.125	3.18	.105	2.67
12	809-108F57	809-108V57	809-108N57	.938	23.83	.885	22.48	1.323	33.60	.125	3.18	.105	2.67
14	809-108F58	809-108V58	809-108N58	1.125	28.58	1.072	27.23	1.510	38.35	.125	3.18	.105	2.67
15	809-108F59	809-108V59	809-108N59	1.188	30.18	1.135	28.83	1.573	39.95	.125	3.18	.105	2.67
21	809-108F60	809-108V60	809-108N60	1.375	34.93	1.448	36.78	1.760	44.70	.125	3.18	.105	2.67



Flange gaskets for Series 803 Mighty Mouse receptacles

These flange gaskets provide sealing between elliptical flange receptacles and the mounting panel. Choose fluorosilicone, Viton®, or conductive fluorosilicone material (Chomerics 1298 silver-filled). Gaskets are .032" (0.8) thick.

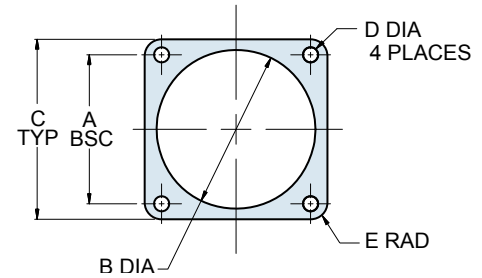
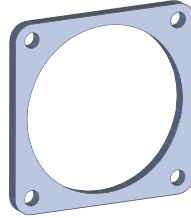


Shell Size	Part Number			Dimensions							
	Fluorosilicone	Viton®	Conductive Fluorosilicone	A Bsc.		B Dia.		C Max.		D Ref.	
				In.	mm.	In.	mm.	In.	mm.	In.	mm.
5	809-108F31	809-108V31	809-108X31	.513	13.03	.345	8.00	.710	18.03	.460	11.68
6	809-108F32	809-108V32	809-108X32	.598	15.19	.405	10.29	.795	20.19	.522	13.26
7	809-108F33	809-108V33	809-108X33	.708	17.98	.475	12.07	.900	22.86	.590	14.99
8	809-108F34	809-108V34	809-108X34	.964	24.51	.545	13.84	1.160	29.46	.670	17.02
9	809-108F35	809-108V35	809-108X35	1.017	25.83	.605	15.37	1.215	30.86	.721	18.31
10	809-108F36	809-108V36	809-108X36	1.101	37.97	.682	17.32	1.295	32.89	.795	20.19
12	809-108F37	809-108V37	809-108X37	1.204	30.58	.757	19.23	1.400	35.56	.874	22.20
14	809-108F38	809-108V38	809-108X38	1.280	32.51	.910	23.11	1.555	39.50	1.050	26.67
15	809-108F39	809-108V39	809-108X39	1.370	34.80	.970	24.64	1.640	41.66	1.150	29.21

Dimensions in Inches (millimeters) are subject to change without notice.

Flange gaskets for Series 805 Mighty Mouse receptacles

These flange gaskets provide sealing between square flange receptacles and the mounting panel. Choose fluorosilicone, Viton®, or conductive fluorosilicone material (Chomerics 1298 silver-filled). Gaskets are .032" (0.8) thick.



Shell Size	Part Number			Dimensions									
	Fluorosilicone	Viton®	Conductive Fluorosilicone	A Bsc.		B Dia.		C Typ.		D Dia.		E Rad.	
				In.	mm.	In.	mm.	In.	mm.	In.	mm.	In.	mm.
8	809-108F20	809-108V20	809-108X20	.660	16.76	.530	13.46	.850	21.59	.093	2.36	.078	1.98
9	809-108F21	809-108V21	809-108X21	.723	18.36	.590	14.99	.913	23.19	.093	2.36	.078	1.98
10	809-108F22	809-108V22	809-108X22	.785	19.94	.660	16.76	.975	24.77	.093	2.36	.078	1.98
11	809-108F23	809-108V23	809-108X23	.848	21.54	.720	18.29	1.039	26.39	.093	2.36	.078	1.98
12	809-108F24	809-108V24	809-108X24	.909	23.09	.780	19.81	1.099	27.91	.093	2.36	.078	1.98
13	809-108F29	809-108V29	809-108X29	.973	24.71	.842	21.39	1.163	29.54	.093	2.36	.078	1.98
15	809-108F25	809-108V25	809-108X25	1.058	26.87	.970	24.64	1.288	32.72	.125	3.18	.105	2.67
18	809-108F26	809-108V26	809-108X26	1.255	31.88	1.160	29.46	1.475	37.47	.125	3.18	.105	2.67
19	809-108F27	809-108V27	809-108X27	1.327	33.71	1.220	30.99	1.537	39.04	.125	3.18	.105	2.67
21	809-108F30	809-108V30	809-108X30	1.452	36	1.342	34.09	1.663	42.24	.125	3.18	.105	2.67
23	809-108F28	809-108V28	809-108X28	1.570	39.88	1.458	37.03	1.797	45.64	.125	3.18	.105	2.67

X

Dimensions in Inches (millimeters) are subject to change without notice.

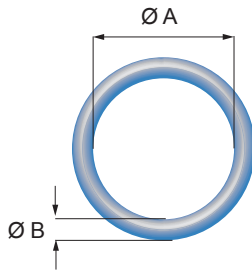
Series 80 Mighty Mouse Replacement O-Rings

Non-Conductive and Conductive O-rings for Series 800 and 801



800 and 801 Replacement O-rings for Mighty Mouse jam nut receptacles

Replace lost or damaged O-rings with standard fluorosilicone O-rings. Or, choose EPDM O-rings for improved resistance to hydraulic fluids. Upgrade to silver-filled conductive O-rings for improved EMI protection.



O-rings for Series 800 Rear Panel Mount, Jam Nut Receptacles (Style 07)

Shell Size	Part Number				Dimensions	
	Fluoro-silicone	EPDM	Conductive Silicone Cho-Seal 1285	Conductive Fluorosilicone Cho-Seal 1298	ØA	ØB
05	809-067-05F	809-067-05E	249-003-800-05-B	249-003-800-05-C	.364 (9.25)	.045 (1.14)
06	809-067-06F	809-067-06E	249-003-800-06-B	249-003-800-06-C	.426 (10.82)	.050 (1.27)
07	809-067-07F	809-067-07E	249-003-800-07-B	249-003-800-07-C	.489 (12.42)	.055 (1.40)
08	809-067-08F	809-067-08E	249-003-800-08-B	249-003-800-08-C	.558 (14.94)	.051 (1.30)
09	809-067-09F	809-067-09E	249-003-800-09-B	249-003-800-09-C	.614 (15.60)	.070 (1.78)
10	809-067-10F	809-067-10E	249-003-800-10-B	249-003-800-10-C	.709 (18.01)	.079 (2.01)
12	809-067-12F	809-067-12E	249-003-800-12-B	249-003-800-12-C	.801 (20.35)	.070 (1.78)
14	809-067-14F	809-067-14E	249-003-800-14-B	249-003-800-14-C	.926 (23.52)	.070 (1.78)
15	809-067-15F	809-067-15E	249-003-800-15-B	249-003-800-15-C	.989 (25.12)	.070 (1.78)

O-rings for Series 801 Rear Panel Mount, Jam Nut Receptacles (Style 07)

Shell Size	Part Number				Dimensions	
	Fluoro-silicone	EPDM	Conductive Silicone Cho-Seal 1285	Conductive Fluorosilicone Cho-Seal 1298	ØA	ØB
05	809-054-05F	809-054-05E	249-003-801-05-B	249-003-801-05-C	.394 (10.01)	.047 (1.19)
06	809-054-06F	809-054-06E	249-003-801-06-B	249-003-801-06-C	.459 (11.66)	.049 (1.24)
07	809-054-07F	809-054-07E	249-003-801-07-B	249-003-801-07-C	.578 (14.68)	.040 (1.02)
08	809-054-08F	809-054-08E	249-003-801-08-B	249-003-801-08-C	.578 (14.68)	.040 (1.02)
09	809-054-09F	809-054-09E	249-003-801-09-B	249-003-801-09-C	.650 (16.51)	.045 (1.14)
10	809-054-10F	809-054-10E	249-003-801-10-B	249-003-801-10-C	.709 (18.01)	See Note 1
11	809-054-11F	809-054-11E	N/A	N/A	.780 (19.81)	.047 (1.19)
13	809-054-13F	809-054-13E	249-003-801-13-B	249-003-801-13-C	.894 (22.71)	.047 (1.19)
14	809-054-14F	809-054-14E	N/A	N/A	.945 (24.00)	.047 (1.19)
15	809-054-15F	809-054-15E	N/A	N/A	1.024 (26.01)	.047 (1.19)
16	809-054-16F	809-054-16E	249-003-801-16-B	249-003-801-16-C	1.086 (27.58)	.040 (1.02)
17	809-054-17F	809-054-17E	249-003-801-17-B	249-003-801-17-C	1.142 (29.01)	.043 (1.09)
18	809-054-18F	809-054-18E	N/A	N/A	1.201 (30.51)	.047 (1.19)
19	809-054-19F	809-054-19E	N/A	N/A	1.257 (31.93)	.047 (1.19)
21	809-054-21F	809-054-21E	249-003-801-21-B	249-003-801-21-C	1.417 (35.99)	.047 (1.19)
23	809-054-23F	809-054-23E	249-003-801-23-B	249-003-801-23-C	1.530 (38.86)	.047 (1.19)

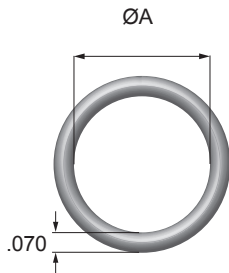
1. Non-conductive O-rings are .049 (1.24). Conductive O-rings are .043 (1.09)

Dimensions in Inches (millimeters) are subject to change without notice.

Rev. 12/22/17

802 Replacement O-rings for Mighty Mouse receptacles

These Viton® O-rings fit Series 802 "AquaMouse" rear panel mount jam nut connector flanges.

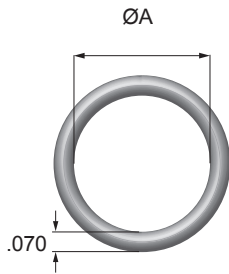


O-rings for Series 802 Rear Panel Mount, Jam Nut and Square Flange Receptacles

Shell Size	Jam Nut Flange Style			Square Flange Style		
	Part Number Viton®	O-Ring Size	Ø A	Part Number Viton®	O-Ring Size	Ø A
05	809-165-05	2-015	.551 (14.00)	809-165-35	2-012	.364 (9.25)
06	809-165-06	2-017	.676 (17.17)	809-165-36	2-014	.489 (12.42)
07	809-165-07	2-018	.739 (18.77)	809-165-37	2-015	.551 (14.00)
08	809-165-08	2-019	.801 (20.35)	809-165-38	2-016	.614 (15.60)
09	809-165-09	2-020	.864 (21.95)	809-165-39	2-017	.676 (17.17)
10	809-165-10	2-021	.926 (23.52)	809-165-40	2-018	.739 (18.77)
12	809-165-12	2-022	.989 (25.12)	809-165-42	2-019	.801 (20.35)
14	809-165-14	2-025	1.176 (29.87)	809-165-44	2-022	.989 (25.12)
15	809-165-15	2-026	1.239 (31.47)	809-165-45	2-023	1.051 (26.70)
21	809-165-21	2-030	1.614 (41.00)	809-165-51	2-028	1.364 (34.65)

X

These Viton® Piston O-rings fit Series 802 "AquaMouse".

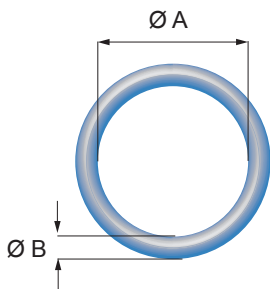


Piston O-rings for Series 802

Shell Size	Part Number Viton®	ØA In.	Shell Size	Part Number Viton®	ØA In.
05	809-209-05	.208 (5.28)	10	809-209-10	.551 (14.00)
06	809-209-06	.270 (6.86)	12	809-209-12	.614 (15.60)
07	809-209-07	.364 (9.25)	14	809-209-14	.801 (20.35)
08	809-209-08	.384 (9.75)	15	809-209-15	.864 (21.95)
09	809-209-09	.489 (12.42)	21	809-209-21	1.051 (26.70)

803 Replacement O-rings for Mighty Mouse jam nut receptacles

Replace lost or damaged O-rings with standard fluorosilicone O-rings. Or, choose EPDM O-rings for improved resistance to hydraulic fluids.



O-rings for Series 803 Rear Panel Mount, Jam Nut Receptacles (Style 07)

Shell Size	Part Number		Dimensions	
	Fluoro- silicone	EPDM	ØA	ØB
05	809-189-05F	809-189-05E	.394 (10.01)	.047 (1.19)
06	809-189-06F	809-189-06E	.459 (11.66)	.049 (1.24)
07	809-189-07F	809-189-07E	.578 (14.68)	.040 (1.02)
08	809-189-08F	809-189-08E	.650 (16.51)	.045 (1.14)
09	809-189-09F	809-189-09E	.650 (16.51)	.045 (1.14)
10	809-189-10F	809-189-10E	.780 (19.81)	.047 (1.19)
12	809-189-12F	809-189-12E	.894 (22.71)	.047 (1.19)
14	809-189-14F	809-189-14E	1.086 (27.58)	.040 (1.02)
15	809-189-15F	809-189-15E	1.142 (29.01)	.043 (1.09)

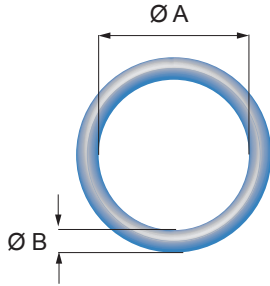
Dimensions in Inches (millimeters) are subject to change without notice.

Series 80 Mighty Mouse Replacement O-Rings

Non-Conductive and Conductive O-rings for Series 804



804 O-Rings for Mighty Mouse jam-nut receptacles



Replace lost or damaged O-rings with standard fluorosilicone O-rings. Or, choose EPDM O-rings for improved resistance to hydraulic fluids. Upgrade to silver-filled conductive O-rings for improved EMI protection.

O-rings for Series 804 Rear Panel Mount, Jam-Nut Receptacles (Style 07)

Shell Size	Part Number		Dimensions	
	Fluorosilicone	EPDM	ØA	ØB
-05	809-055-05F	809-055-05E	.505 (12.83)	.070 (1.78)
-06	809-055-06F	809-055-06E	.525 (13.34)	.071 (1.80)
-07	809-055-07F	809-055-07E	.638 (16.21)	.073 (1.85)
-08	809-055-08F	809-055-08E	.688 (17.48)	.070 (1.78)
-09	809-055-09F	809-055-09E	2-018	
-10	809-055-10F	809-055-10E	2-019	
-11	809-055-11F	809-055-11E	2-020	
-12	809-055-12F	809-055-12E	.943 (23.95)	.070 (1.78)
-14	809-055-14F	809-055-14E	2-023	
-15	809-055-15F	809-055-15E	2-024	

O-rings for Series 804 Rear Panel Mount, Jam-Nut Receptacles (Style 07)

Shell Size	Part Number		Dimensions	
	Conductive Silicone Cho-Seal 1285	Conductive Fluorosilicone Cho-Seal 1298	ØA	ØB
-05	249-003-804-05-B	249-003-804-05-C	.505 (12.83)	.070 (1.78)
-06	249-003-804-06-B	249-003-804-06-C	.525 (13.34)	.071 (1.80)
-07	249-003-804-07-B	249-003-804-07-C	.638 (16.21)	.073 (1.85)
-08	249-003-804-08-B	249-003-804-08-C	.688 (17.48)	.070 (1.78)
-09	249-003-804-09-B	249-003-804-09-C	.750 (19.05)	.070 (1.78)
-10	249-003-804-10-B	249-003-804-10-C	.813 (20.65)	.063 (1.60)
-12	249-003-804-12-B	249-003-804-12-C	.943 (23.95)	.070 (1.78)
-14	249-003-804-14-B	249-003-804-14-C	1.061 (26.95)	.073 (1.85)
-15	249-003-804-15-B	249-003-804-15-C	1.114 (28.30)	.070 (1.78)

O-rings for Series 804 Front Panel Mount, Jam-Nut Receptacles (Style 00)

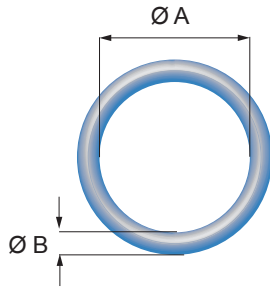
Dash No	Shell Size Ref.	Part Number		Dimensions	
		Fluorosilicone	EPDM	ØA	ØB
-25	-05	809-055-25F	809-055-25E	.571 (14.50)	.071 (1.80)
-26	-06	809-055-26F	809-055-26E	.571 (14.50)	.071 (1.80)
-27	-07	809-055-24F	809-055-24E	2-018	
-28	-08	809-055-28F	809-055-28E	2-018	
-29	-09	809-055-29F	809-055-29E	2-019	
-30	-10	809-055-30F	809-055-30E	2-020	
-31	-11	809-055-31F	809-055-31E	.943 (23.95)	.070 (1.78)
-32	-12	809-055-32F	809-055-32E	2-023	
-34	-14	809-055-34F	809-055-34E	2-024	
-35	-15	809-055-35F	809-055-35E	2-025	

Dimensions in Inches (millimeters) are subject to change without notice.



Series 80 Mighty Mouse Replacement O-Rings

Non-Conductive and Conductive O-rings for Series 805



Replace lost or damaged O-rings with standard fluorosilicone O-rings. Or, choose EPDM O-rings for improved resistance to hydraulic fluids. Upgrade to silver-filled conductive O-rings for improved EMI protection.

O-rings for Series 805 Rear Panel Mount, Jam-Nut Receptacles (Style 07)

Shell Size	Part Number				Dimensions	
	Fluoro-silicone	EPDM	Conductive Silicone Cho-Seal 1285	Conductive Fluorosilicone Cho-Seal 1298	ØA	ØB
08	809-150-08F	809-150-08E	249-003-805-08-B	249-003-805-08-C	.578 (14.68)	.040 (1.02)
09	809-150-09F	809-150-09E	249-003-805-09-B	249-003-805-09-C	.709 (18.01)	.045 (1.14)
10	809-150-10F	809-150-10E	249-003-805-10-B	249-003-805-10-C	.709 (18.01)	See Note 1
11	809-150-11F	809-150-11E	249-003-805-11-B	249-003-805-11-C	.780 (19.81)	.047 (1.19)
12	809-150-12F	809-150-12E	249-003-805-12-B	249-003-805-12-C	.894 (22.71)	.047 (1.19)
15	809-150-15F	809-150-15E	249-003-805-15-B	249-003-805-15-C	1.024 (26.01)	.047 (1.19)
18	809-150-18F	809-150-18E	249-003-805-18-B	249-003-805-18-C	1.201 (30.51)	.047 (1.19)
19	809-150-19F	809-150-19E	249-003-805-19-B	249-003-805-19-C	1.257 (31.93)	.047 (1.19)
21	809-150-21F	809-150-21E	249-003-805-21-B	249-003-805-21-C	1.417 (35.99)	.047 (1.19)
23	809-150-23F	809-150-23E	249-003-805-23-B	249-003-805-23-C	1.530 (38.86)	.047 (1.19)

1. Non-conductive O-rings are .049 (1.24). Conductive O-rings are .045 (1.14)

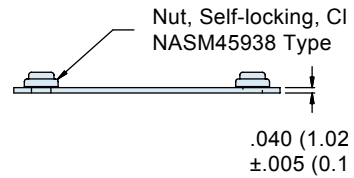
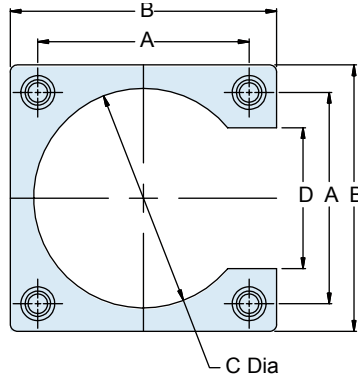
Dimensions in Inches (millimeters) are subject to change without notice.



Series 800 Mighty Mouse Mounting Flange with Standard or Metric Threads 809-199 and 809-303 Ordering Information



How To Order			
Sample Part Number	809-199	-10	EAP
Series	809-199 = Mounting Flange with standard threads 809-303 = Mounting Flange with metric threads		
Dash No.	1 thru 22		
Shell Material/Finish	Mounting Flange: Aluminum Alloy Clinch Nuts: Cres/Passivate Omit for Chem Film per MIL-C-5541 EAP - Polyamide Primer per MIL-PRF-23377		



X

Dimensions														
Dash No	800 shell Size	801 Shell Size	802 Shell Size	805 Shell Size	A ± .005		B ± .010		C ± .010		D ± .010		809-199 Thread Size	809-303 Thread Size
					in	mm	in	mm	in	mm	in	mm		
1			5		.500	12.70	.780	19.81	.400	10.16	.220	5.59	4-40	M3 X .5
2			6		.625	15.88	.905	22.99	.600	15.24	.345	8.76	4-40	M3 X .5
3				8	.660	16.76	.880	22.35	.700	17.78	.440	11.18	2-56	M2 X .4
4			7		.688	17.48	.968	24.59	.680	17.27	.408	10.36	4-40	M3 X .5
5	9,10				.720	18.29	1.000	25.40	.728	18.49	.440	11.18	4-40	M3 X .5
6				9	.720	18.29	.940	23.88	.728	18.49	.440	11.18	2-56	M2 X .4
7			8		.750	19.05	1.030	26.16	.770	19.56	.470	11.94	4-40	M3 X .5
8				10	.785	19.94	1.005	25.53	.805	20.45	.565	14.35	2-56	M2 X .4
9	12	13	9		.812	20.62	1.092	27.74	.860	21.84	.532	13.51	4-40	M3 X .5
10				11	.848	21.54	1.068	27.13	.868	22.05	.628	15.95	2-56	M2 X .4
11			10		.875	22.23	1.155	29.34	.946	24.03	.595	15.11	4-40	M3 X .5
12	14				.909	23.09	1.189	30.20	.955	24.26	.629	15.98	4-40	M3 X .5
13				12	.909	23.09	1.129	28.68	.909	23.09	.629	15.98	2-56	M2 X .4
14			12		.938	23.83	1.218	30.94	1.018	25.86	.658	16.71	4-40	M3 X .5
15	15				.969	24.61	1.249	31.72	1.049	26.64	.689	17.50	4-40	M3 X .5
16		16			.981	24.92	1.261	32.03	1.061	26.95	.701	17.81	4-40	M3 X .5
17		17		15	1.060	26.92	1.340	34.04	1.140	28.96	.780	19.81	4-40	M3 X .5
18			14		1.125	28.58	1.405	35.69	1.205	30.61	.845	21.46	4-40	M3 X .5
19		19*	15		1.188	30.18	1.468	37.29	1.268	32.21	.908	23.06	4-40	M3 X .5
20				18	1.255	31.88	1.535	38.99	1.335	33.91	.975	24.77	4-40	M3 X .5
21		21*		19	1.327	33.71	1.607	40.82	1.407	35.74	1.047	26.59	4-40	M3 X .5
22				23	1.570	39.88	1.850	46.99	1.650	41.91	1.290	32.77	4-40	M3 X .5

* Available for 809-199 only

Dimensions in Inches (millimeters) are subject to change without notice.

Series 80 Mighty Mouse Straight Shorting Cap with Attachment 340MS026 Ordering Information



Shorting Applications — These caps are used to cover up exposed wires on the back of a shorting connector. Shorting connectors are used to protect critical circuits from static discharge.

Plugs can also re-route circuits in Switching applications. Or, resistors and active electronics can be installed. Whatever the application, a shorting cap is a simple way to cover up the back end of the connector.

Table I: Overall Length	
-4 - .50 (12.7)	-10 - 2.00 (50.8)
-5 - .75 (19.1)	-11 - 2.25 (57.2)
-6 - 1.00 (25.4)	-12 - 2.50 (63.5)
-7 - 1.25 (31.8)	-13 - 2.75 (69.9)
-8 - 1.50 (38.1)	-14 - 3.00 (76.2)
-9 - 1.75 (44.5)	

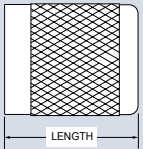
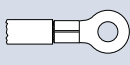
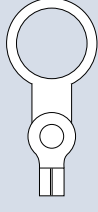


Table II: Attachment Code	
Omit for attachment types N (No Attachment) and SK (Slip Knot)	
 Small Ring	01 - .126 (3.20) I.D. 02 - .145 (3.68) I.D. 04 - .188 (4.78) I.D. 06 - .197 (5.00) I.D.
 Large Solid Ring	14 - .385 (9.78) I.D. 15 - .445 (11.30) I.D. 16 - .570 (14.48) I.D. 17 - .635 (16.13) I.D. 18 - .695 (17.65) I.D. 19 - .885 (22.48) I.D. 20 - 1.070 (27.17) I.D. 21 - 1.135 (28.83) I.D. 22 - 1.210 (30.73) I.D.

NOTES

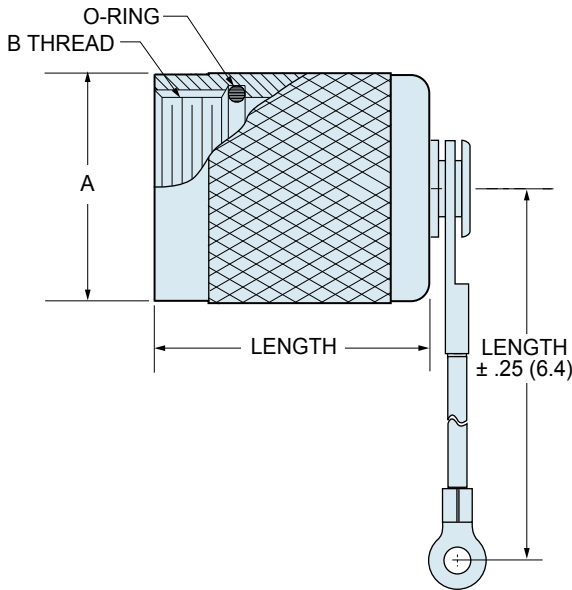
Materials

- Cap: Aluminum Alloy 6061-T6 or 300 Series Stainless Steel
- O-Ring: Silicone Rubber
- Hardware: 300 Series Stainless Steel

How To Order							
Sample Part Number	340MS026	M	G	07	-4	02	-6
Series	340MS026 = Straight Shorting Cap Backshell						
Shell Material and Finish	C = Aluminum / Black Anodize (Non-Conductive) RoHS Compliant M = Aluminum / Electroless Nickel NF = Aluminum / Cadmium with Olive Drab ZN = Aluminum / Zinc-Nickel with Olive Drab Chromate ZNU = Aluminum / Zinc-Nickel with Black Chromate MT = Aluminum / Nickel-PTFE Z1 = Stainless Steel / Passivated						
Attachment Type	G = Nylon Rope H = SST Wire Rope, Fluoropolymer® Jacket N = No Attachment S = SST Sash Chain SK = Nylon Rope With Slip Knot U = SST Wire Rope, Polyurethane Jacket						
Size Code	05, 06, 11, 07, 08, 09, 10, 12, 13, 14, 16, 17						
Overall Length (See Table I)	-4, -5, -7, -8, -9, -10, -11, -12, -13, -14						
Attachment Code (See Table II)	Omit for attachment Type N (No Attachment)						
	Small Ring	Large Solid Ring					
	01, 02, 04, 06	14, 15, 16, 17, 18, 19, 20, 21, 22					
Attachment Length in Inches	Omit for attachment Type N (No Attachment) Example: "-6" equals six inch length						



Dimensions in Inches (millimeters) are subject to change without notice.



X

Attachment Options

Dia. Code	Ring I.D.		Ring O.D.	
	In.	mm.	In.	mm.
	±.005	±0.13	Max.	Max.
01	.126	3.20	.31	7.9
02	.145	3.68	.31	7.9
04	.188	4.78	.31	7.9
06	.197	5.00	.31	7.9

Small Ring for Attaching to a Panel with a Screw

Dia. Code	Ring I.D.		Ring O.D.	
	In.	mm.	In.	mm.
	± .010	±0.25	± .015	± 0.38
14	.385	9.78	.510	12.95
15	.445	11.30	.565	14.35
16	.570	14.48	.685	17.40
17	.635	16.13	.760	19.30
18	.695	17.65	.820	20.82
19	.885	22.48	1.010	25.65
20	1.070	27.17	1.195	30.35
21	1.135	28.83	1.250	31.75
22	1.210	30.73	1.312	33.32

Large Solid Ring for Attaching to a Jam Nut Receptacle

Nylon Rope With Slip Knot (SK) for Attaching Covers to Cable

-65° to +100°C., black, very flexible, very good abrasion resistance, good resistance to fuels, .120" (3mm) diameter. Length includes .5" (13mm) diameter loop.

Dimensions

Size Code	Shell Size Reference		Ø A Max.		B Threads
	800/801 803/804	805	In.	mm.	
05	5	N/A	.350	8.89	.250-32 UNEF-2B
06	6	N/A	.415	10.54	.3125-32 UNEF-2B
11	N/A	8	.465	11.81	.3750-32 UNEF-2B
07	7	9	.530	13.46	.4375-28 UNEF-2B
08	8	10	.595	14.35	.5000-28 UNEF-2B
09	9	11	.650	16.51	.5625-24 UNEF-2B
10	10	12	.715	18.16	.6250-24 UNEF-2B
12	11/12/13	13	.785	19.94	.6875-24 UNEF-2B
13	N/A	15	.830	21.08	.7500-20 UNEF-2B
14	14/15/16/17	18/19	1.020	25.91	.9375-20 UNEF-2B
16	19	21	1.155	29.34	1.0625-18 UNEF-2B
17	21	23	1.270	32.26	1.1875-18 UNEF-2B

Lanyard Options

Nylon Rope (G)	-65° to +100°C., black, very flexible, very good abrasion resistance, good resistance to fuels, .120" (3mm) diameter
Polyurethane Coated Wire Rope (U)	Black polyurethane over stainless steel rope, -65° to +125°C., very flexible, excellent abrasion resistance, excellent resistance to fuels, .080" (2mm) diameter
Fluoropolymer Jacketed Wire Rope (H)	Translucent FEP jacket over stainless steel, -65° to +200°C., fair flexibility, good abrasion resistance, .100" diameter
Sash Chain (S)	Stainless steel, #8 chain, .240" (6mm)

Dimensions in Inches (millimeters) are subject to change without notice.

Series 80 Mighty Mouse Shorting Cap with Rotatable Coupling and Attachment 340MS001 Ordering Information



Shorting Applications — These caps are used to cover up exposed wires on the back of a shorting connector. Shorting connectors are used to protect critical circuits from static discharge.

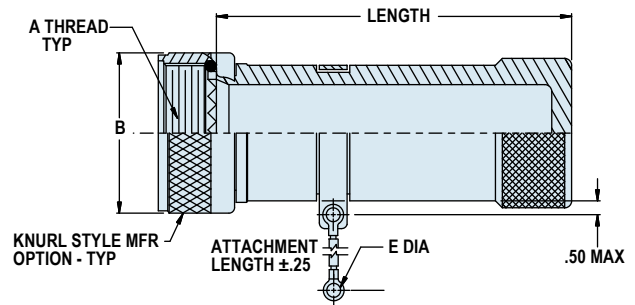
These extended plugs can also re-route circuits in **Switching** applications like our smaller plugs, but accommodate the need for additional resistors and active electronics when needed.

How To Order	
Sample Part Number	340MS001 M 12 -5 E A
Series	340MS001 Straight Backshell and Shorting Cap
Shell Material and Finish	C = Aluminum / Black Anodize (Non-Conductive) RoHS Compliant M = Aluminum / Electroless Nickel NF = Aluminum / Cadmium with Olive Drab ZN = Aluminum / Zinc-Nickel with Olive Drab Chromate ZNU = Aluminum / Zinc-Nickel with Black Chromate Z1 = Stainless Steel / Passivated
Size Code (See Table II)	05, 06, 07, 08, 09, 10, 12, 13, 14, 16, 17
Length	Length in .5 inch increments. Example: 6 = 3.0 inches Standard minimum length is 1.00 inch (dash code -2)
Attachment Sym	See Table I
Attachment Length	Length in .5 inch increments. Example: 6 = 3.0 inches
Att. Ring Dia.	See Table III

Table I: Attachment Sym	
Sym	Description
C	No Attachment, Body Strap Only
D	Bead Chain, Cres/Passivate, with Terminal
E	Link Chain, Cres/Passivate, with Reverse Link
F	Wire Rope, Nylon Jacket with Terminal
G	Nylon Rope, with Terminal
H	SST Wire Rope, Fluoropolymer Jacket
N	Attachment Omitted
R	Wire Rope, Fluoropolymer Jacket, with Terminal
S	#8 Sash Chain, Cres/Passivate
U	SST Wire Rope, Polyurethane Jacket

Size Code	Table II			Ø B Max	
	Shell Size Reference		A Thread Class -2B	In.	mm.
	800/801 803/804	805			
05	5	N/A	1/4-32 UNEF	0.470	11.94
06	6	N/A	5/16-32 UNEF	0.530	13.46
11	N/A	8	3/8-32 UNEF	0.570	14.48
07	7	9	7/16-28 UNEF	0.637	16.18
08	8	10	1/2-28 UNEF	0.700	17.78
09	9	11	9/16-24 UNEF	0.758	19.25
10	10	12	5/8-24 UNEF	0.819	20.80
12	11/12/13	13	11/16-24 UNEF	0.896	22.76
13	N/A	15	3/4-20 UNEF	0.930	23.62
14	14/15/16/17	18/19	15/16-20 UNEF	1.137	28.88
16	19	21	1 1/16-18 UNEF	1.230	31.24
17	21	23	1 3/16-18 UNEF	1.387	35.23

Table III: Attachment Ring Diameter			
Symbol	E Dia.	Symbol	E Dia.
A	.140	D	.191
B	.167	E	.125
C	.182	F	.218



Dimensions in Inches (millimeters) are subject to change without notice.



Series 80 Mighty Mouse Direct or Rotatable Coupling Strain Relief Clamp

620MS064 & 620M*065 Straight, 45° and 90° Ordering Information



These clamps provide strain relief to open wire bundles. Add tubing or tape to build up smaller diameter wires to fit the clamps.

Straight Entry clamps are available with rotatable coupling or save space with lower profile direct coupling versions.

X

How To Order			
Sample Part Number		620MS064	M 07
Series (See Table I)	620MS064 = Straight Direct Coupling 620MS065 = Straight Rotatable Coupling 620MB065 = 45° Rotatable Coupling 620MA065 = 90° Rotatable Coupling		
Shell Material and Finish	C = Aluminum / Black Anodize (Non-Conductive) RoHS Compliant M = Aluminum / Electroless Nickel NF = Aluminum / Cadmium with Olive Drab ZN = Aluminum / Zinc-Nickel with Olive Drab Chromate ZNU = Aluminum / Zinc-Nickel with Black Chromate MT = Aluminum / Nickel-PTFE Z1 = Stainless Steel / Passivated		
Size Code (See Table II)	05, 06, 11, 07, 08, 09, 10, 12, 13, 14, 15, 16, 17		

Table I: Cover Style	
620MS065 Rotatable Coupling	620MS064 Direct Coupling

NOTES

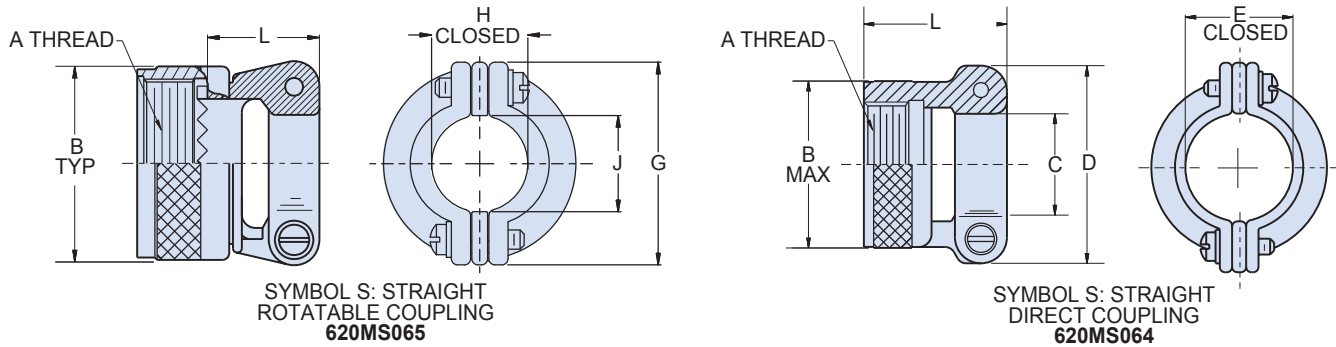
Materials

- Coupling Nut, Clamp, and Saddles: Aluminum Alloy 6061-T6 or 300 Series SST
- Hardware: 300 Series Stainless Steel

Table II: Size Codes				
Size Code	Shell Size Ref		A Thread Size Class-2B	Cable Entry Diameter (E Closed Dia)
	Series 800, 801 803, 804	Series 805		
05	5	N/A	.2500-32 UNEF	.11
06	6	N/A	.3125-32 UNEF	.17
11	N/A	8	.3750-32 UNEF	.17
07	7	9	.4375-28 UNEF	.23
08	8	10	.5000-28 UNEF	.30
09	9	11	.5625-24 UNEF	.30
10	10	12	.6250-24 UNEF	.36
12	11/12/13	13	.6875-24 UNEF	.42
13	N/A	15	.7500-20 UNEF	.42
14	14/15/16/17	18/19	.9375-20 UNEF	.48
15	14/15/16/17	18/19	.9375-20 UNEF	.61
16	19	21	1.0625-18 UNEF	.73
17	21	23	1.1875-18 UNEF	.86

Dimensions in Inches (millimeters) are subject to change without notice.

Series 80 Mighty Mouse Direct or Rotatable Coupling Strain Relief Clamp 620MS064 & 620MS065 Straight Dimensions



SYMBOL S: STRAIGHT
ROTATABLE COUPLING
620MS065

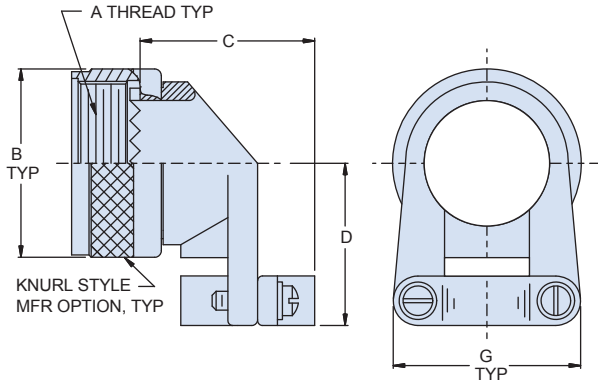
SYMBOL S: STRAIGHT
DIRECT COUPLING
620MS064

620MS065 Symbol S Dimensions													
Size Code	Shell Size Ref		A Thread Class -2B	B Typ		G Dim		H Closed		J Dim		L Max.	
	Series 800, 801, 803, 804	Series 805		In.	mm.	In.	mm.	In.	mm.	In.	mm.	In.	mm.
05	5	N/A	.2500-32 UNEF	.470	11.94	.496	12.60	.11	2.79	.119	3.02	.688	17.48
06	6	N/A	.3125-32 UNEF	.530	13.46	.582	14.78	.17	4.32	.182	4.62	.688	17.48
11	N/A	8	.375-32 UNEF	.570	14.48	.582	14.78	.17	4.32	.182	4.62	.688	17.48
07	7	9	.4375-28 UNEF	.637	16.18	.656	16.66	.23	5.08	.244	6.20	.688	17.48
08	8	10	.5000-28 UNEF	.700	17.78	.726	18.44	.30	7.62	.307	7.80	.688	17.48
09	9	11	.5625-24 UNEF	.758	19.25	.726	18.44	.30	7.62	.307	7.80	.750	19.05
10	10	12	.6250-24 UNEF	.819	20.80	.885	22.48	.36	9.14	.369	9.37	.750	19.05
12	11/12/13	13	.6875-24 UNEF	.896	22.76	.952	24.18	.42	10.67	.432	10.97	.750	19.05
13	N/A	15	.750-20 UNEF	.930	23.62	.952	24.18	.42	10.67	.432	10.97	.750	19.05
14	14/15/16/17	18/19	.9375-20 UNEF	1.137	28.88	1.018	25.86	.48	12.19	.494	12.55	.750	19.05
15	14/15/16/17	18/19	.9375-20 UNEF	1.137	28.88	1.148	29.16	.61	15.49	.619	15.72	.750	19.05
16	19	21	1.0625-18 UNEF	1.230	31.24	1.273	32.33	.73	18.54	.744	18.90	.750	19.05
17	21	23	1.1875-18 UNEF	1.387		1.400	35.56	.86	21.84	.869	22.07	.750	19.05

620MS064 Symbol S Dimensions													
Size Code	Shell Size Ref		A Thread Class -2B	B Max.		C Dia.		D Dia.		E Dia. Closed		L Max	
	Series 800, 801, 803, 804	Series 805		In.	mm.	In.	mm.	In.	mm.	In.	mm.	In.	mm.
05	5	N/A	.2500-32 UNEF	.350	8.89	.119	3.02	.496	12.60	.11	2.79	.625	15.88
06	6	N/A	.3125-32 UNEF	.415	10.54	.182	4.62	.582	14.78	.17	4.32	.625	15.88
11	N/A	8	.375-32 UNEF	.465	11.81	.182	4.62	.582	14.78	.17	4.32	.625	15.88
07	7	9	.4375-28 UNEF	.530	13.46	.244	6.20	.656	16.66	.23	5.08	.688	17.48
08	8	10	.5000-28 UNEF	.595	15.11	.307	7.80	.726	18.44	.30	7.62	.688	17.48
09	9	11	.5625-24 UNEF	.650	16.51	.307	7.80	.726	18.44	.30	7.62	.750	19.05
10	10	12	.6250-24 UNEF	.715	18.16	.369	9.37	.885	22.48	.36	9.14	.875	22.23
12	11/12/13	13	.6875-24 UNEF	.785	19.94	.432	10.97	.952	24.18	.42	10.67	.875	22.23
13	N/A	15	.750-20 UNEF	.830	21.08	.432	10.97	.952	24.18	.42	10.67	.875	22.23
14	14/15/16/17	18/19	.9375-20 UNEF	1.020	25.91	.494	12.55	1.018	25.86	.48	12.19	1.000	25.40
15	14/15/16/17	18/19	.9375-20 UNEF	1.020	25.91	.619	15.72	1.148	29.16	.61	15.49	1.000	25.40
16	19	21	1.0625-18 UNEF	1.155	29.34	.744	18.90	1.273	32.33	.73	18.54	1.000	25.40
17	21	23	1.1875-18 UNEF	1.280	32.51	.869	22.07	1.400	35.56	.86	21.84	1.125	28.58

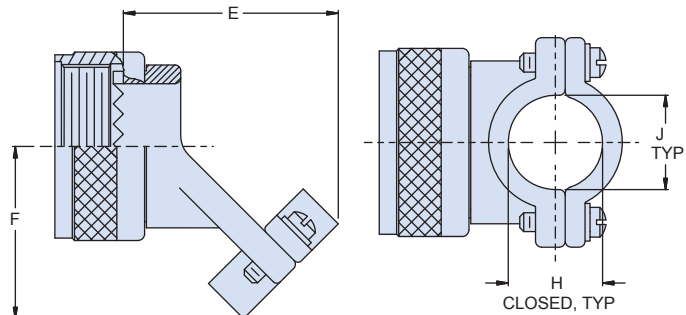
Dimensions in Inches (millimeters) are subject to change without notice.

90° Rotatable coupling clamp



SYMBOL A: 90°
620MA065

45° Rotatable coupling clamp



SYMBOL B: 45°
620MB065

620MA065 Symbol A Dimensions

Size Code	Shell Size Ref		A Thread Class -2B	B Max		C Max		D Max		G Typ	
	800/801/803/804	805		in	mm	in	mm	in	mm	in	mm
05	5	N/A	1/4-32 UNEF	.470		.613		.551			
06	6	N/A	5/16-32 UNEF	.530		.675		.582			
11	N/A	8	3/8-32 UNEF	.570		.675		.602			
07	7	9	7/16-28 UNEF	.637		.675		.632			
08	8	10	1/2-28 UNEF	.700		.743		.662			
09	9	11	9/16-24 UNEF	.758		.743		.691			
10	10	12	5/8-24 UNEF	.819		.805		.846			
12	11/12/13	13	11/16-24 UNEF	.896		.868		.881			
13	N/A	15	3/4-20 UNEF	.930		.868		.921			
14	14/15/16/17	18/19	15/16-20 UNEF	1.137		.993		.998			
15	14/15/16/17	18/19	15/16-20 UNEF	1.137		1.055		1.060			
16	19	21	1 1/16-18 UNEF	1.230		1.243		1.090			
17	21	23	1 3/16-18 UNEF	1.387		1.312		1.151			

620MB065 Symbol B Dimensions

Size Code	Shell Size Ref		E Max		F max		G Dim		H Closed		J Dim	
	800/801/803/804	805	in	mm	in	mm	in	mm	in	mm	in	mm
05	5	N/A	.806		.511		.496		0.11		0.119	
06	6	N/A	.850		.542		.582		0.17		0.182	
11	N/A	8	.850		.562		.582		0.17		0.182	
07	7	9	.850		.592		0.656		0.23		0.244	
08	8	10	.887		.622		0.726		0.30		0.307	
09	9	11	.887		.651		0.726		0.30		0.307	
10	10	12	1.018		.770		0.885		0.36		0.369	
12	11/12/13	13	1.061		.805		0.952		0.42		0.432	
13	N/A	15	1.091		.855		0.952		0.42		0.432	
14	14/15/16/17	18/19	1.146		.922		1.018		0.48		0.494	
15	14/15/16/17	18/19	1.208		.984		1.148		0.61		0.619	
16	19	21	1.325		.950		1.273		0.73		0.744	
17	21	23	1.495		1.042		1.400		0.86		0.869	

Dimensions in Inches (millimeters) are subject to change without notice.

Series 80 Mighty Mouse Rotatable Coupling Band-Master™ ATS Thread-On Adapter

440M*135 Straight, 90° and 45° Ordering Information



Accessories



**Band-Master™ ATS Band
Microband 601-061**



**Band-Master™ ATS
Micro Band Tool
601-101**



**Add a boot or overmold
for environmental protection
(Shown without boot)**

These thread-on adapters are used with **Band-Master™ ATS Micro Band** shield termination straps. Choose the smallest cable entry for your wire bundle. **Straight Entry** adapters are available in various lengths. **Straight, 45°** and **90°** adapters feature rotatable coupling nuts.

How To Order

Sample Part Number	440MS135	M	07	05-	7	K	
Series (See Table I)	440MS135 = Straight Entry 440MK135 = 45° Entry 440ML135 = 90° Entry						
Shell Material and Finish	UCR = Aluminum / Zinc Cobalt Black M = Aluminum / Electroless Nickel NF = Aluminum / Cadmium with Olive Drab ZN = Aluminum / Zinc-Nickel with Olive Drab Chromate ZNU = Aluminum / Zinc-Nickel with Black Chromate MT = Aluminum / Nickel-PTFE Z1 = Stainless Steel / Passivated						
Size Code (See Table II)	05, 06, 11, 07, 08, 09, 10, 12, 13, 14, 16, 17						
Cable Entry Size (See Table III)	02-, 03-, 04-, 05-, 06-, 07-, 08-, 09-, 10-, 11-, 12-, 13-, 14-						
Length	Applies to symbol "S", straight only Length in 1/8 (3.18mm) inch increments (i.e. 7 = .875 inches)						
Band Option	K = Pre-coiled Band Supplied (600-057-1) = Band Supplied (600-057) Omit for no band supplied						
Lace-Tie Option	T = Lace-Tie Omit for no lace-tie option						



Table I: Cover Style

440MS135 Straight Entry	440MK135 45° Entry	440ML135 90° Entry

NOTES

- Standard Minimum Length is .75. applies to symbol "S" straight only.
- Consult factory for larger cable entries dimensions C, D, E & F may be exceeded.

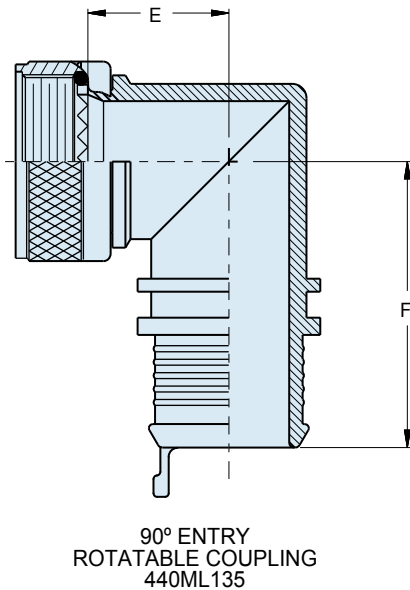
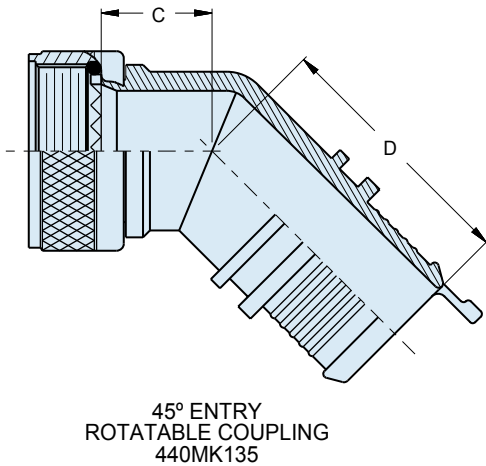
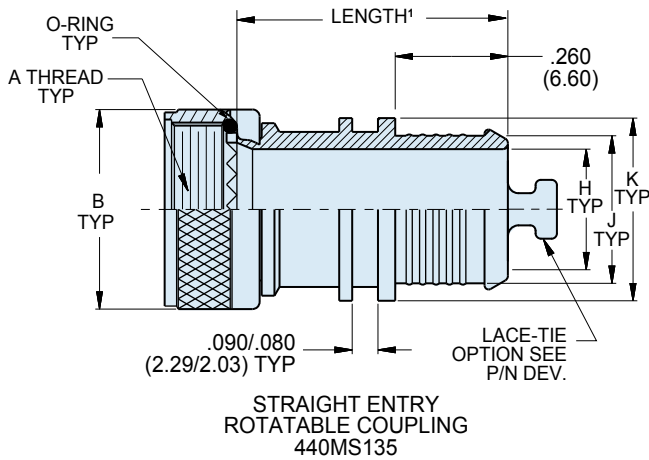
Materials

- Coupling nut, Adapter: aluminum alloy or 300 series SST
- Band: 300 series SST
- O-ring: silicone elastomer

Dimensions in Inches (millimeters) are subject to change without notice.



Series 80 Mighty Mouse Rotatable Coupling Band-Master™ ATS Adapter 440MS135, 440MK135 and 440ML135 Dimensions



Size Code	A Threads	Shell Size		Max Cable Entry Code²
		Series 800, 801, 803, 804	Series 805	
05	.2500-32 UNEF-2B	5	N/A	03
06	.3125-32 UNEF-2B	6	N/A	04
11	.375-32 UNEF-2B	N/A	8	04
07	.4375-28 UNEF-2B	7	9	06
08	.5000-28 UNEF-2B	8	10	07
09	.5625-24 UNEF-2B	9	11	08
10	.6250-24 UNEF-2B	10	12	09
12	.6875-24 UNEF-2B	11, 12, 13	13	10
13	.750-20 UNEF-2B	N/A	15	10
14	.9375-20 UNEF-2B	14, 15, 16, 17	18, 19	14
16	1.0625-18 UNEF-2B	19	21	15
17	1.1875-18 UNEF-2B	21	23	16

Size Code	B Max.		C Max.		D Max.		E Max.		F Max.	
	In.	mm.	In.	mm.	In.	mm.	In.	mm.	In.	mm.
05	.470	11.94	.530	13.46	.660	16.76	.630	16.00	.780	19.81
06	.530	13.46	.550	13.97	.670	17.02	.660	16.76	.790	20.27
11	.570	14.48	.560	14.22	.680	17.27	.680	17.27	.810	20.57
07	.637	16.18	.570	14.48	.690	17.53	.700	17.78	.830	21.08
08	.700	17.78	.580	14.73	.700	17.78	.740	18.80	.860	21.84
09	.758	19.25	.590	14.99	.710	18.03	.770	19.56	.890	22.61
10	.819	20.80	.610	15.49	.730	18.54	.800	20.32	.920	23.37
12	.896	22.76	.640	16.26	.750	19.05	.840	21.34	.970	24.64
13	.930	23.62	.660	16.76	.770	19.56	.890	22.60	1.020	25.91
14	1.137	28.88	.690	17.53	.800	20.32	.950	24.13	1.090	27.69
16	1.230	31.24	.710	18.03	.820	20.82	.980	24.89	1.130	28.70
17	1.387	35.23	.720	18.29	.830	21.08	1.010	25.65	1.160	29.46

Cable Entry Code	Ø H		Ø J		Ø K	
	In.	mm.	In.	mm.	In.	mm.
	± .015	± 0.38	± .015	± 0.38	± .015	± 0.38
02	.125	3.18	.164	4.17	.266	6.76
03	.188	4.78	.227	5.77	.329	8.36
04	.250	6.35	.289	7.34	.391	9.93
05	.312	7.92	.351	8.92	.453	11.51
06	.375	9.53	.414	10.52	.516	13.11
07	.438	11.13	.477	12.12	.579	14.71
08	.500	12.70	.539	13.69	.641	16.28
09	.562	14.27	.601	15.27	.703	17.86
10	.625	15.88	.664	16.87	.766	19.46
11	.688	17.48	.727	18.47	.829	21.06
12	.750	19.05	.789	20.04	.891	22.63
13	.812	20.62	.851	21.62	.953	24.21
14	.875	22.23	.914	23.22	1.016	25.81
15	.938	23.83	.977	24.82	1.079	27.41
16	1.00	25.4	1.039	26.39	1.141	28.98

Dimensions in Inches (millimeters) are subject to change without notice.

Series 80 Mighty Mouse Environmental Direct Coupling Band-Master™ ATS Adapter 440MS134 Straight - Ordering Information



**Band-Master™ ATS Band
Microband 601-061**



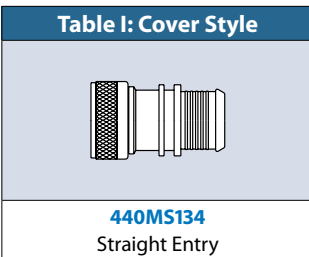
**Band-Master™ ATS
Micro Band Tool
601-101**



**Add a boot or overmold
for environmental protection
(Shown without boot)**

These adapters are used with Band-Master™ ATS micro band shield termination straps. Choose the smallest cable entry for your wire bundle.

How To Order					
Sample Part Number	440MS134	NF	07	04	B
Series (See Table I)	440MS134 = Straight Entry				
Shell Material and Finish	M = Aluminum / Electroless Nickel NF = Aluminum / Cadmium with Olive Drab ZN = Aluminum / Zinc-Nickel with Olive Drab Chromate ZNU = Aluminum / Zinc-Nickel with Black Chromate MT = Aluminum / Nickel-PTFE Z1 = Stainless Steel / Passivated				
Size Code (See Table II)	05, 06, 11, 07, 08, 09, 10, 12, 13, 14, 17				
Cable Entry Size (See Table III)	01, 02, 03, 04, 05, 06, 07, 08, 09, 10, 11, 12, 13, 14				
Band Option	B = 601-060 flat band supplied K = 601-061 pre-coiled band supplied Omit = no band supplied				



NOTES

Materials

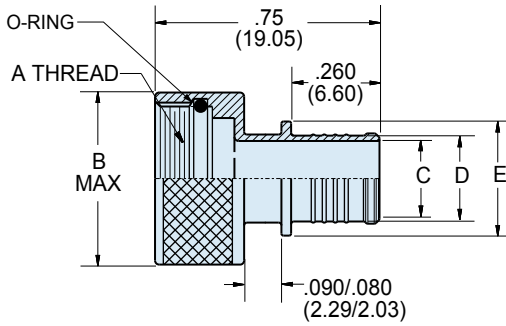
- Adapter: Aluminum Alloy or 300 Series SST
- Band: 300 Series SST
- O-Ring: Silicone Elastomer

Dimensions in Inches (millimeters) are subject to change without notice.





Series 80 Mighty Mouse Low-Profile Band-Master™ ATS Adapter 440MS134 Straight - Dimensions



STRAIGHT ENTRY
DIRECT COUPLING
440MS134

X

Table III: Banding Platform and Cable Entry Dimensions

Cable Entry Code	Ø C		Ø D		Ø E	
	In.	mm.	In.	mm.	In.	mm.
	± .015	± 0.38	± .015	± 0.38	± .015	± 0.38
01	.094	2.39	.133	3.38	.235	5.97
02	.125	3.18	.164	4.17	.266	6.76
03	.172	4.37	.211	5.36	.313	7.95
04	.234	5.94	.273	6.93	.375	9.53
05	.272	6.91	.311	7.90	.413	10.49
06	.312	7.92	.351	8.92	.453	11.51
07	.375	9.53	.414	10.52	.516	13.11
08	.438	11.13	.477	12.12	.579	14.71
09	.500	12.70	.539	13.69	.641	16.28
10	.562	14.27	.601	15.27	.703	17.86
11	.625	15.88	.664	16.87	.766	19.46
12	.688	17.48	.727	18.47	.829	21.06
13	.750	19.05	.789	20.04	.891	22.63
14	.812	20.62	.851	21.62	.953	24.21
15	.875	22.15	.914	23.22	1.016	25.81
16	.938	23.83	.977	24.82	1.079	27.41
17	1.000	25.40	1.039	26.39	1.141	28.98

Table II: Size Code Dimensions and Reference

Adapter Size Code	Shell Size Reference		A Threads	B Max.		Use with Cable Entry Size Codes
	800, 801, 803, 804	Series 805		In.	mm.	
	05	5		N/A	.2500-32 UNEF-2B	
06	6	N/A	.3125-32 UNEF-2B	.415	10.54	01 thru 04
11	N/A	8	.375-32 UNEF-2B	.465	11.81	01 thru 04
07	7	9	.4375-28 UNEF-2B	.530	13.46	02 thru 06
08	8	10	.5000-28 UNEF-2B	.595	15.11	03 thru 07
09	9	11	.5625-24 UNEF-2B	.650	16.51	05 thru 08
10	10	12	.6250-24 UNEF-2B	.715	18.16	06 thru 09
12	11, 12, 13	13	.6875-24 UNEF-2B	.785	19.94	07 thru 10
13	N/A	15	.750-20 UNEF-2B	.830	21.08	07 thru 10
14	14, 15, 16, 17	18, 19	.9375-20 UNEF-2B	1.020	25.91	10 thru 15
16	19	21	1.0625-18 UNEF-2B	1.155	29.34	10 thru 16
17	21	23	1.1875-18 UNEF-2B	1.280	32.51	10 thru 17

Dimensions in Inches (millimeters) are subject to change without notice.

Series 80 Mighty Mouse

Direct or Rotatable Coupling Environmental Backshell

370MS037 and 370M*038 Straight, 45° and 90° Ordering Information



Environmental backshells feature silicone o-rings for a watertight seal.

Straight Entry backshells are available with direct coupling or rotatable coupling.

45° and 90° adapters feature rotatable coupling nuts.

Table II: Cover Style	
Omit Screw Clamp with Saddle Bars	N Compression Nut

How To Order						
Sample Part Number	370MS037	C	10	05-	6	N
Series (See Table III)	370MS037 = Straight Entry 370MS038 = Straight Entry 370MB038 = 45° Entry 370MA038 = 90° Entry					
Shell Material and Finish	M = Aluminum / Electroless Nickel NF = Aluminum / Cadmium with Olive Drab ZN = Aluminum / Zinc-Nickel with Olive Drab Chromate ZNU = Aluminum / Zinc-Nickel with Black Chromate MT = Aluminum / Nickel-PTFE Z1 = Stainless Steel / Passivated					
Size Code (See Table I)	05, 06, 11, 07, 08, 09, 10, 12, 13, 14, 16, 17					
Cable Entry Code (See Table II)	01-, 02-, 03-, 04-, 05-, 06-, 07-, 08-, 09-, 10-, 11-, 12-, 13-					
Length (See Table III)	Straight length only. Specify length in 1/8 inch increments (e.g. 6 = .75 inches). See Table II for standard lengths.					
Clamp Style (Table II)	Omit = screw clamp with saddle bars N = Compression Nut, Low Profile					

Table I: Straight Coupling Dimensions											
Size Code	Shell Size Ref		A Thread UNEF Class -2B	370MS038				370MS037			
	800/801 803/804	805		B Max.		Std Length		C Max.		Std Length	
				In.	mm.	In.	mm.	In.	mm.	In.	mm.
05	5	N/A	1/4 - 32	.470	11.94	.75	19.05	.350	8.89	.63	16.00
06	6	N/A	5/16 - 32	.530	13.46	.75	19.05	.415	10.54	.63	16.00
11	N/A	8	3/8 - 32	.570	14.48	.75	19.05	.465	11.68	.63	16.00
07	7	9	7/16 - 28	.637	16.18	.75	19.05	.530	13.46	.75	19.05
08	8	10	1/2 - 28	.700	17.78	.75	19.05	.595	15.11	.75	19.05
09	9	11	9/16 - 24	.758	19.25	.75	19.05	.650	16.51	.75	19.05
10	10	12	5/8 - 24	.819	20.80	.75	19.05	.715	18.16	.75	19.05
12	11 thru 13	13	11/16 - 24	.896	22.76	.88	22.35	.785	19.94	.88	22.35
13	N/A	15	3/4 - 20	.930	23.62	.88	22.35	.830	21.08	.88	22.35
14	14 thru 17	18/19	15/16 - 20	1.137	28.88	1.00	25.40	1.020	25.91	1.00	25.40
16	19	21	11/16 - 18	1.230	31.24	1.00	25.40	1.155	29.34	1.00	25.40
17	21	23	13/16 - 18	1.280	32.51	1.13	28.70	1.287	35.23	1.13	28.70

Table III: Backshell Profile	
370MS037 Straight Entry, Direct Coupling	370MS038 Straight Entry, Rotatable Coupling
370MB038 45° Entry Rotatable Coupling	370MA038 90° Entry Rotatable Coupling

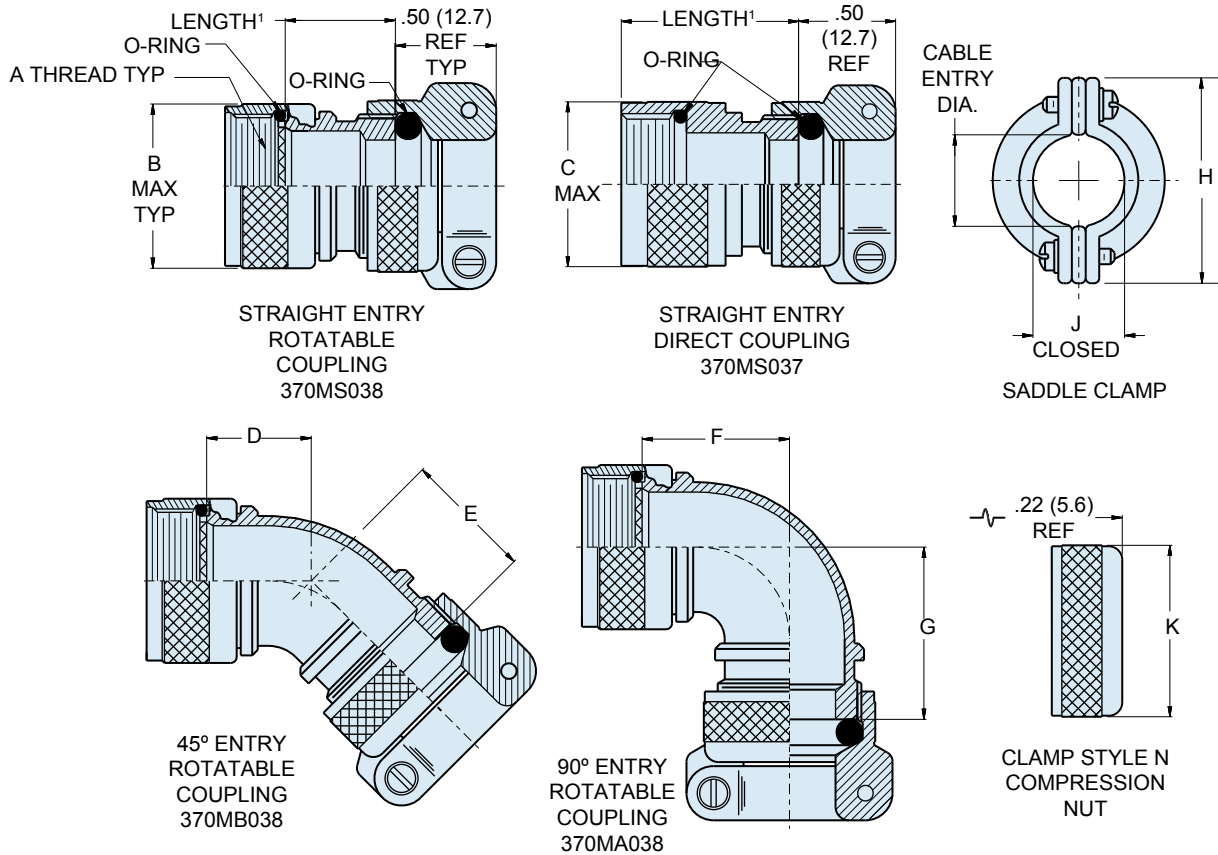
Dimensions in Inches (millimeters) are subject to change without notice.



Series 80 Mighty Mouse

Direct or Rotatable Coupling Environmental Backshell

370MS037, 370MS038, 370MB038 and 370MA038 Dimensions



X

Table II: 370M*038 45° and 90° Dimensions

Cable Entry Code	Cable Entry Dia.		D Max.		E Max.		F Max.		G Max.		H		J Closed		Ø K	
	Max.	Min.	In.	mm.	In.	mm.	In.	mm.	In.	mm.	in. ± .015	mm ± 0.38	In.	mm.	in. ± .015	mm ± 0.38
01	.109	.031	.603	15.32	.581	14.76	.724	18.39	.702	17.83	.496	12.60	.11	2.79	.398	10.11
02	.172	.078	.603	15.32	.581	14.76	.724	18.39	.702	17.83	.582	14.78	.17	4.32	.460	11.68
03	.234	.140	.603	15.32	.581	14.76	.724	18.39	.702	17.83	.656	16.66	.23	5.84	.523	13.28
04	.297	.203	.629	15.98	.607	15.42	.786	19.96	.764	19.41	.726	18.44	.30	7.62	.585	14.86
05	.359	.265	.629	15.98	.607	15.42	.786	19.96	.764	19.41	.885	22.48	.36	9.14	.647	16.43
06	.422	.328	.655	16.64	.633	16.00	.848	21.54	.826	20.98	.952	24.18	.42	10.67	.710	18.03
07	.484	.390	.655	16.64	.633	16.00	.848	21.54	.826	20.98	1.018	25.86	.48	12.19	.773	19.63
08	.547	.453	.707	17.96	.685	17.40	.911	23.14	.889	22.58	1.084	27.53	.55	13.97	.835	21.21
09	.609	.515	.707	17.96	.685	17.40	.911	23.14	.889	22.58	1.148	29.16	.61	15.49	.897	22.78
10	.672	.578	.733	18.62	.711	18.06	.973	24.71	.951	24.11	1.211	30.76	.67	17.02	.959	24.36
11	.734	.640	.733	18.62	.711	18.06	.973	24.71	.951	24.11	1.273	32.33	.73	18.54	1.021	25.93
12	.859	.765	.785	19.94	.763	19.38	1.036	26.31	1.014	25.76	1.400	35.56	.86	21.84	1.083	27.51
13	1.00	.906	.811	20.60	.789	20.04	1.098	27.89	1.076	27.29	1.539	39.09	.99	25.15	1.145	29.08

NOTES

- Minimum length is .63 Inches. Applies to "S" straight entry only.
- Use shrink Sleeve or bushing to build cable to dia shown under saddle bars.

Materials

- Adapter, Clamp, Nut and Saddles: Aluminum Alloy 6061-T6 or 300 Series Stainless Steel
- O-Rings: Silicone Rubber
- Hardware: 300 Series Stainless Steel

Dimensions in Inches (millimeters) are subject to change without notice.

Series 80 Mighty Mouse EMI Backshell

380MS135 and 380M*137 Straight, 45° and 90° Ordering Information



380MS135

EMI backshells feature an EMI ring for easy shield termination.

Straight Entry backshells are available with direct coupling or rotatable coupling.

380-137 adapters feature rotatable coupling nuts.

How To Order	
Sample Part Number	380MS135 M 07 04- 6 N
Series (See Table I)	380MS135 = Straight Entry 380MS137 = Straight Entry, 380MB137 = 45° Entry 380MA137 = 90° Entry
Shell Material and Finish	UCR = Aluminum / Zinc Cobalt with Black ZNU = Aluminum / Zinc Nickel with Black over Electroless Nickel M = Aluminum / Electroless Nickel NF = Aluminum / Cadmium with Olive Drab ZN = Aluminum / Zinc-Nickel with Olive Drab Chromate MT = Aluminum / Nickel-PTFE Z1 = Stainless Steel / Passivated
Size Code (See Table V)	05, 06, 11, 07, 08, 09, 10, 12, 13, 14, 16, 17
Cable Entry Code (See Table II)	01-, 02-, 03-, 04-, 05-, 06-, 07-, 08-, 09-, 10-, 11-, 12-, 13-
Length (See Table III)	For Straight Entry Only. Use Standard lengths listed in Table III for Best Availability Specify length in .125 (3.18) inch increments (e.g. 6 = .75 in)
Clamp Style (See Table IV)	Omit = Clamp with Saddle Bars N = Compression Nut, Low Profile

Table I: Backshell Style			
380MS135 Straight Entry, Direct Coupling	380MS137 Straight Entry, Rotatable Coupling	380MB137 45° Entry, Rotatable Coupling	380MA137 90° Entry, Rotatable Coupling

Table II: Cable Entry Code			
Cable Entry Code	Saddle Clamp Dia. Fully Closed	Cable Entry Code	Saddle Clamp Dia. Fully Closed
01-	.11 (2.79)	08-	.55 (13.97)
02-	.17 (4.32)	09-	.61 (15.49)
03-	.23 (5.84)	10-	.67 (17.02)
04-	.30 (7.62)	11-	.73 (18.54)
05-	.36 (9.14)	12-	.86 (21.84)
06-	.42 (10.67)	13-	.99 (25.15)
07-	.48 (12.19)		

Table III: Std. Length ¹				
Size Code	380MS137 Std. Length		380MS135 Std. Length	
	In.	mm.	In.	mm.
05	.75	19.05	.63	16.00
06	.75	19.05	.63	16.00
11	.75	19.05	.63	16.00
07	.75	19.05	.75	19.05
08	.75	19.05	.75	19.05
09	.75	19.05	.75	19.05
10	.75	19.05	.75	19.05
12	.88	22.35	.88	22.35
13	.88	22.35	.88	22.35
14	1.00	25.40	1.00	25.40
16	1.00	25.40	1.00	25.40
17	1.13	28.70	1.13	28.70

Table IV: Clamp Style	
Omit Clamp with Saddle Bars	N Compression Nut, Low Profile

NOTES

1. Minimum length is .63 Inches. Applies to straight entry only.
2. Use shrink sleeve or bushing to build cable to dia. shown under saddle bars.

Materials

- Adapter, Clamp, Nut and Saddles: Aluminum Alloy 6061-T6 or 300 Series Stainless Steel
- Hardware: 300 Series Stainless Steel

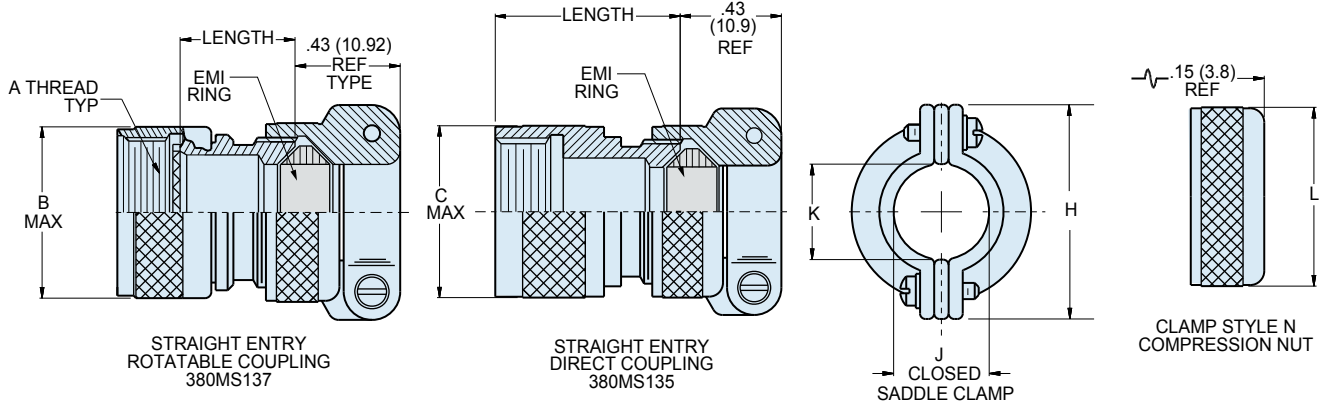
Dimensions in Inches (millimeters) are subject to change without notice.



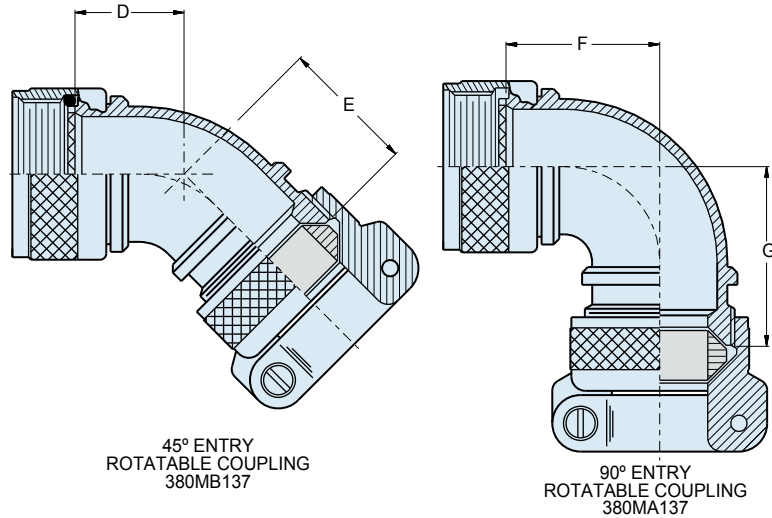


Series 80 Mighty Mouse EMI Backshell

380MS135 Straight and 380M*137 Straight, 45° and 90° Dimensions



X



Straight Coupling Dimensions							
Size Code	Shell Size Ref.		A Thd. UNEF Class-2B	B Max.		C Max.	
	800/801 803/804	805		In.	mm.	In.	mm.
05	5	N/A	.2500-32	.470	11.94	.350	8.89
06	6	N/A	.3125-32	.530	13.46	.415	10.54
11	N/A	8	.3750-32	.570	14.48	.465	11.68
07	7	9	.4375-28	.637	16.18	.530	13.46
08	8	10	.5000-28	.700	17.78	.595	15.11
09	9	11	.5625-24	.758	19.25	.650	16.51
10	10	12	.6250-24	.819	20.80	.715	18.16
12	11/12/13	13	.6875-24	.896	22.76	.785	19.94
13	N/A	15	.7500-20	.930	23.62	.830	21.08
14	14/15/16/17	18/19	.9375-20	1.137	28.88	1.020	25.91
16	19	21	1.0625-18	1.230	31.24	1.155	29.34
17	21	23	1.1875-18	1.387	35.23	1.280	32.51

45° and 90° Coupling Dimensions

Cable Entry Code	D Max.		E Max.		F Max.		G Max.		H		J Closed		K		Ø L	
	In.	mm.	In.	mm.	In.	mm.	In.	mm.	± .015	± 0.38	± .030	± 0.76	± .015	± 0.38	± .015	± 0.38
01	.603	15.32	.581	14.76	.724	18.39	.702	17.83	.496	12.60	.11	2.79	.119	3.02	.398	10.11
02	.603	15.32	.581	14.76	.724	18.39	.702	17.83	.582	14.78	.17	4.32	.182	4.62	.460	11.68
03	.603	15.32	.581	14.76	.724	18.39	.702	17.83	.656	16.66	.23	5.84	.244	6.20	.523	13.28
04	.629	15.98	.607	15.42	.786	19.96	.764	19.41	.726	18.44	.30	7.62	.307	7.80	.585	14.86
05	.629	15.98	.607	15.42	.786	19.96	.764	19.41	.885	22.48	.36	9.14	.369	9.37	.647	16.43
06	.655	16.64	.633	16.00	.848	21.54	.826	20.98	.952	24.18	.42	10.67	.432	10.97	.710	18.03
07	.655	16.64	.633	16.00	.848	21.54	.826	20.98	1.018	25.86	.48	12.19	.494	12.55	.773	19.63
08	.707	17.96	.685	17.40	.911	23.14	.889	22.58	1.084	27.53	.55	13.97	.557	14.15	.835	21.21
09	.707	17.96	.685	17.40	.911	23.14	.889	22.58	1.148	29.16	.61	15.49	.619	15.72	.897	22.78
10	.733	18.62	.711	18.06	.973	24.71	.951	24.16	1.211	30.76	.67	17.02	.682	17.32	.959	24.36
11	.733	18.62	.711	18.06	.973	24.71	.951	24.16	1.273	32.33	.73	18.54	.744	18.90	1.021	25.93
12	.785	19.94	.763	19.38	1.036	26.31	1.014	25.76	1.400	35.56	.86	21.84	.869	22.07	1.083	27.51
13	.811	20.60	.789	20.04	1.098	27.89	1.076	27.33	1.539	39.09	.99	25.15	1.010	25.65	1.145	29.08

Dimensions in Inches (millimeters) are subject to change without notice.

Series 80 Mighty Mouse EMI/RFI Backshell Non-Environmental 380MS141 Ordering Information



The Series 80 Mighty Mouse, non-environmental backshell utilizes an EMI ring for easy shield termination. A protective backshell provides robust cable strain-relief.

How To Order					
Sample Part Number	380MS141	M	08	06	-4
Series	380MS141 = Straight Entry				
Shell Material and Finish	UCR = Aluminum / Zinc-Cobalt Black M = Aluminum / Electroless Nickel NF = Aluminum / Cadmium with Olive Drab ZN = Aluminum / Zinc-Nickel with Olive Drab Chromate ZNU = Aluminum / Zinc-Nickel with Black Chromate MT = Aluminum / Nickel-PTFE Z1 = Stainless Steel / Passivated				
Size Code (See Table I)	05, 06, 11, 07, 08, 09, 10, 12, 13, 14, 16, 17				
Cable Entry Code (Table II)	02, 25, 03, 35, 04, 05, 06, 07, 08, 09, 10, 11, 12, 13, 14, 15, 16				
Length	Specify length in 1/8 inch increments (e.g. 6 = .75 inches). Minimum length .50 inches				

NOTES

Material/Finish

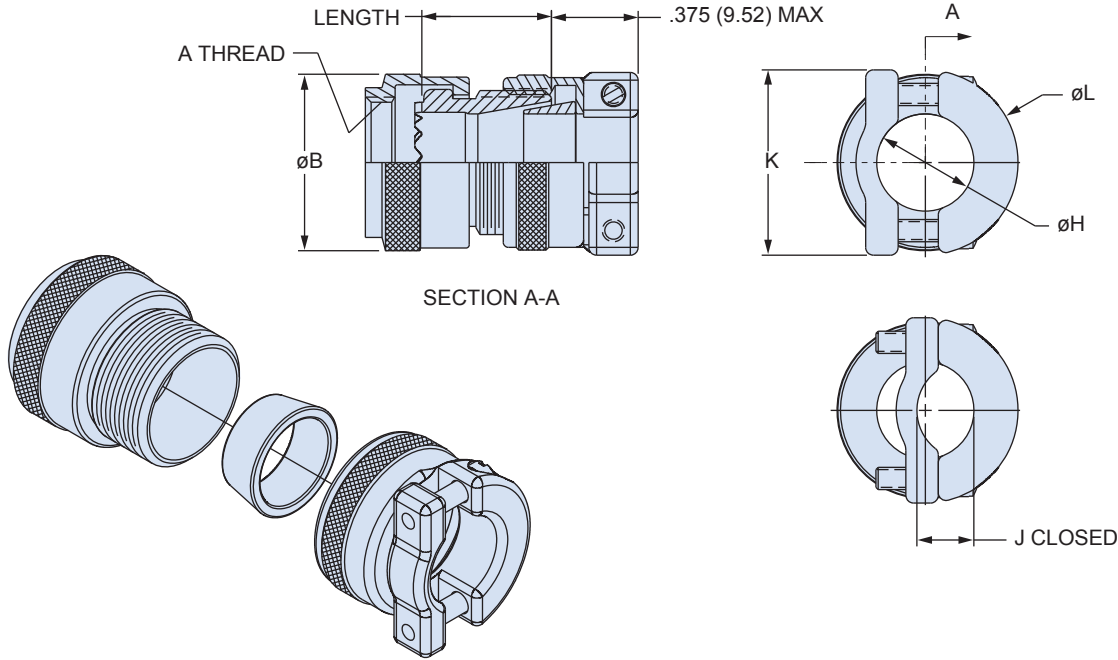
- Adapter, coupling nut, rear nut: aluminum alloy/per part number development
- Saddle: stainless steel/per part number development
- Hardware: stainless steel/passivated

Dimensions in Inches (millimeters) are subject to change without notice.





Series 80 Mighty Mouse EMI/RFI Backshell Non-Environmental 380MS141 Ordering Information



X

Table I: Size Code

Size Code	Shell Size, Mighty Mouse Series					A Thread UNEF-2B	Ø B Max		Max Entry
	800	801	803	804	805		In.	mm.	
05	5	5	5	5	-	.2500-32	0.470	11.94	25
06	6	6	6	6	-	.3125-32	0.530	13.46	35
11	-	-	-	-	8	.3750-32	0.570	14.48	4
07	7	7	7	7	9	.4375-28	0.637	16.18	5
08	8	8	8	8	10	.5000-28	0.700	17.78	6
09	9	9	9	9	11	.5625-24	0.758	19.25	7
10	10	10	10	10	12	.6250-24	0.819	20.80	8
12	12	13	12	12	-	.6875-24	0.896	22.76	9
13	-	-	-	-	15	.7500-20	0.930	23.62	10
14	-	16,17	14,15	14,15	18,19	.9375-20	1.137	28.88	13
16	-	19	-	-	21	1.0625-18	1.250	31.75	14
17	-	21	-	-	23	1.1875-18	1.397	35.48	16

Table II: Cable Entry Code

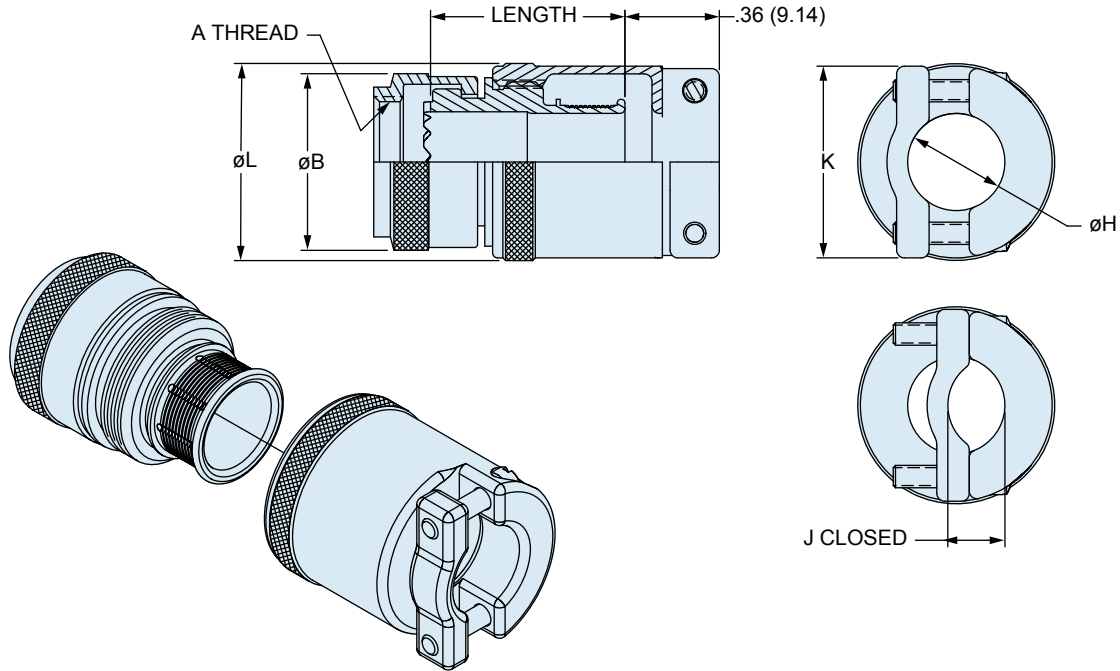
Entry Code	Ø H	J Closed	K	Ø L Max
02	0.125	0.075	0.470	0.470
25	0.156	0.094	0.470	0.470
03	0.188	0.113	0.530	0.530
35	0.219	0.131	0.530	0.530
04	0.250	0.150	0.590	0.590
05	0.313	0.188	0.655	0.655
06	0.375	0.225	0.715	0.715
07	0.438	0.263	0.780	0.780
08	0.500	0.300	0.840	0.840
09	0.563	TBD*	TBD*	TBD*
10	0.625	TBD*	TBD*	TBD*
11	0.688	TBD*	TBD*	TBD*
12	0.750	TBD*	TBD*	TBD*
13	0.813	TBD*	TBD*	TBD*
14	0.875	TBD*	TBD*	TBD*
15	0.938	TBD*	TBD*	TBD*
16	1.000	TBD*	TBD*	TBD*

* Contact Factory

Dimensions in Inches (millimeters) are subject to change without notice.



Series 80 Mighty Mouse EMI/RFI Backshell Band-In-A-Can Backshell 447MS981 Ordering Information



X

Table I: Size Code

Size Code	800	801	803	804	805	A Thread UNEF - 2B	Ø B Max		Max Entry
							In.	mm.	
05	5	5	5	5	-	.2500-32	0.470	11.94	25
06	6	6	6	6	-	.3125-32	0.530	13.46	35
11	-	-	-	-	8	.3750-32	0.570	14.48	04
07	7	7	7	7	9	.4375-28	0.637	16.18	05
08	8	8	8	8	10	.5000-28	0.700	17.78	06
09	9	9	9	9	11	.5625-24	0.758	19.25	07
10	10	10	10	10	12	.6250-24	0.819	20.80	08
12	12	13	12	12	-	.6875-24	0.896	22.76	09
13	-	-	-	-	15	.7500-20	0.930	23.62	10
14	-	16,17	14,15	14,15	18,19	.9375-20	1.137	28.88	13
16	-	19	-	-	21	1.0625-18	1.250	31.75	14
17	-	21	-	-	23	1.1875-18	1.387	35.48	16

Table II: Cable Entry Code

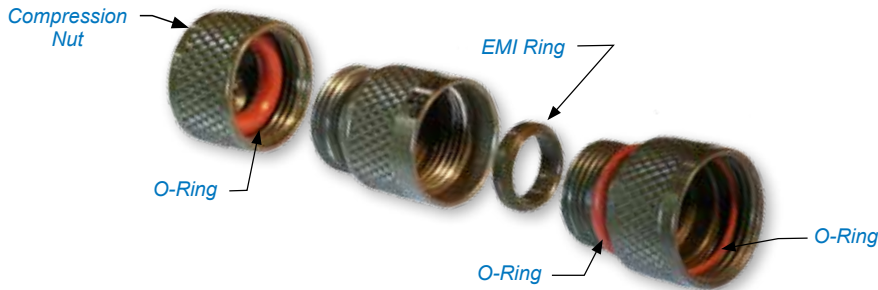
Entry Code	Ø H		J Closed		K		Ø L Max	
	in.	mm.	in.	mm.	in.	mm.	in.	mm.
02	0.125	3.18	0.075	1.91	0.490	12.45	0.520	13.21
25	0.156	3.96	0.094	2.39	0.520	13.21	0.550	13.97
03	0.188	4.78	0.113	2.87	0.550	13.97	0.580	14.73
35	0.219	5.56	0.131	3.33	0.580	14.73	0.610	15.49
04	0.250	6.35	0.150	3.81	0.615	15.62	0.645	16.38
05	0.313	7.95	0.188	4.78	0.680	17.27	0.710	18.03
06	0.375	9.53	0.225	5.72	0.740	18.80	0.770	19.56
07	0.438	11.13	0.263	6.68	0.800	20.32	0.830	21.08
08	0.500	12.70	0.300	7.62	0.865	21.97	0.895	22.73
09	0.563	14.30	TBD*	TBD*	TBD*	TBD*	TBD*	TBD*
10	0.625	15.88	TBD*	TBD*	TBD*	TBD*	TBD*	TBD*
11	0.688	17.48	TBD*	TBD*	TBD*	TBD*	TBD*	TBD*
12	0.750	19.05	TBD*	TBD*	TBD*	TBD*	TBD*	TBD*
13	0.813	20.65	TBD*	TBD*	TBD*	TBD*	TBD*	TBD*
14	0.875	22.23	TBD*	TBD*	TBD*	TBD*	TBD*	TBD*
15	0.938	23.83	TBD*	TBD*	TBD*	TBD*	TBD*	TBD*
16	1.000	25.40	TBD*	TBD*	TBD*	TBD*	TBD*	TBD*

* Consult Factory

Dimensions in Inches (millimeters) are subject to change without notice.

Series 80 Mighty Mouse Environmental EMI Backshell

390MS076 Straight, 390M*077 Straight, 45° and 90°
Ordering Information



These backshells feature an EMI ring for easy shield termination. O-rings provide watertight seals on the cable jacket and on the backshell-to-connector interface.

How To Order	
Sample Part Number	390MS077 M 07 04- 6 N
Series (See Table I)	390MS076 = Straight Entry, Direct Coupling 390MS077 = Straight Entry, Rotatable Coupling 390MB077 = 45° Entry 390MA077 = 90° Entry
Shell Material and Finish	C = Aluminum / Black Anodize (Non-Conductive) RoHS Compliant M = Aluminum / Electroless Nickel NF = Aluminum / Cadmium with Olive Drab ZN = Aluminum / Zinc-Nickel with Olive Drab Chromate ZNU = Aluminum / Zinc-Nickel with Black Chromate MT = Aluminum / Nickel-PTFE Z1 = Stainless Steel / Passivated
Size Code (See Table II)	05, 06, 11, 07, 08, 09, 10, 12, 13, 14, 16, 17
Cable Entry Code (See Table III)	01, 02, 03, 04, 05, 06, 07, 08, 09, 10, 11, 12, 13
Length	Straight Entry 390MS Only Specify length in increments of .125; e.g. 6 = .75 in
Clamp Style (See Table IV)	Omit = Screw Clamp with Saddle Bars N = Compression Nut, Low Profile

Size Code	Thread Size Class -2B UNEF	Size Code	Thread Size Class -2B UNEF
05	.2500-32	10	.6250-24
06	.3125-32	12	.6875-24
11	.3750-32	13	.7500-20
07	.4375-28	14	.9375-20
08	.5000-28	16	1.0625-18
09	.5625-24	17	1.1875-18

Cable Entry Code	Saddle Clamp J Diameter Fully Closed		Cable Entry Code	Saddle Clamp J Diameter Fully Closed	
	In. ± .030	mm. ± 0.76		In. ± .030	mm. ± 0.76
01-	.110	2.79	08-	.550	13.97
02-	.170	4.32	09-	.610	15.49
03-	.230	5.84	10-	.670	17.02
04-	.300	7.62	11-	.730	18.54
05-	.360	9.14	12-	.860	21.84
06-	.420	10.67	13-	.990	25.15
07-	.480	12.19			

Omit Screw Clamp With Saddle Bars	N Compression Nut, Low Profile

390MS076 Straight Entry, Direct Coupling	390MS077 Straight Entry, Rotatable Coupling	390MB077 45° Entry	390MA077 90° Entry

NOTES

1. Minimum length is .63 Inches. Tee table i for standard length applies to sym s, straight only
2. Use shrink sleeve or bushing to build cable to dia. shown, under saddle bars

Materials

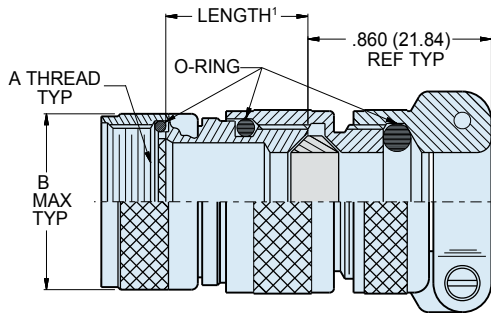
- Adapter, clamp, nut and saddles: aluminum alloy 6061-t6 or 300 series stainless steel
- O-rings: silicone rubber
- Hardware: 300 series stainless steel

Dimensions in Inches (millimeters) are subject to change without notice.

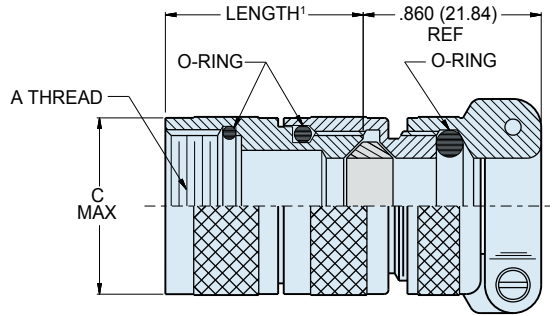


Series 80 Mighty Mouse Environmental EMI Backshell

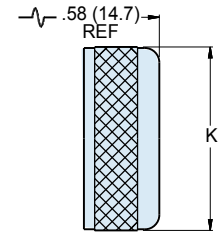
390MS076 Straight and 390M077 Straight, 45° and 90° Dimensions



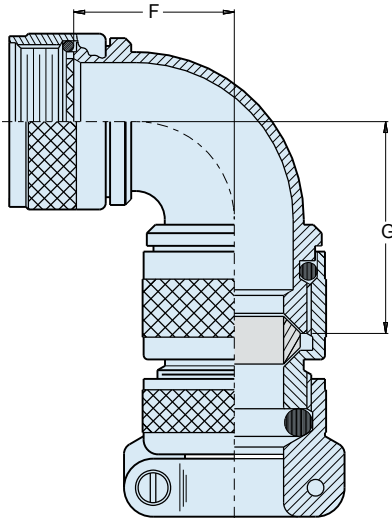
STRAIGHT ENTRY
ROTATABLE COUPLING
390MS077



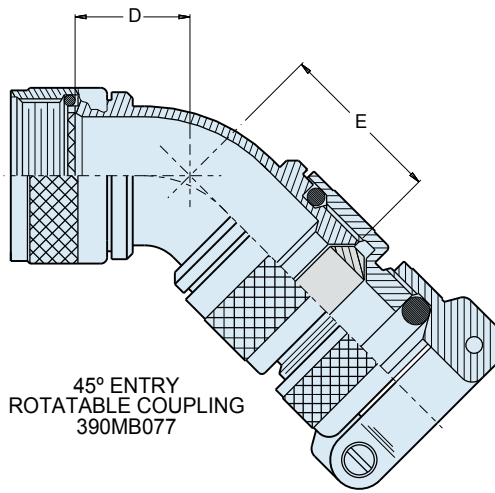
STRAIGHT ENTRY
DIRECT COUPLING
390MS076



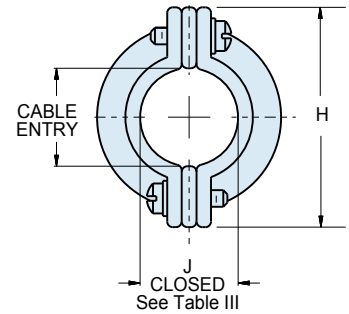
CLAMP STYLE N
COMPRESSION NUT



90° ENTRY
ROTATABLE COUPLING
390MA077



45° ENTRY
ROTATABLE COUPLING
390MB077



ENTRY SADDLE CLAMP

Cable Entry Dimensions

Dash No.	Cable Entry				D Max.		E Max.		F Max.		G Max.		H		Ø K	
	Max.		Min.		In.	mm.	In.	mm.	In.	mm.	In.	mm.	± .010	± 0.25	± .010	± 0.25
	In.	mm.	In.	mm.												
01	.109	2.77	.031	0.79	.603	15.32	.681	17.30	.724	18.39	.802	20.37	.496	12.60	.398	10.11
02	.172	4.37	.078	1.98	.603	15.32	.681	17.30	.724	18.39	.802	20.37	.582	14.78	.460	11.68
03	.234	5.94	.140	3.56	.603	15.32	.681	17.30	.724	18.39	.802	20.37	.656	16.66	.523	13.28
04	.297	7.54	.203	5.16	.629	15.98	.707	17.96	.786	19.96	.864	21.95	.726	18.44	.585	14.86
05	.359	9.12	.265	6.73	.629	15.98	.707	17.96	.786	19.96	.864	21.95	.885	22.48	.647	16.43
06	.422	10.72	.328	8.33	.655	16.64	.733	18.62	.848	21.54	.926	23.52	.952	24.18	.710	18.03
07	.484	12.29	.390	9.91	.655	16.64	.733	18.62	.848	21.54	.926	23.52	1.018	25.86	.773	19.63
08	.547	13.89	.453	11.51	.707	17.96	.785	19.94	.911	23.14	.989	25.12	1.084	27.53	.835	21.21
09	.609	15.47	.515	13.08	.707	17.96	.785	19.94	.911	23.14	.989	25.12	1.148	29.16	.897	22.78
10	.672	17.07	.578	14.68	.733	18.62	.811	20.60	.977	24.82	1.055	26.80	1.211	30.76	.959	24.36
11	.734	18.64	.640	16.26	.733	18.62	.811	20.60	.977	24.82	1.055	26.80	1.273	32.33	1.021	25.93
12	.859	21.82	.765	19.43	.785	19.94	.863	21.92	1.036	26.31	1.114	28.30	1.400	35.56	1.083	27.51
13	1.000	25.40	.906	23.01	.811	20.60	.889	22.58	1.098	27.89	1.176	29.87	1.539	39.09	1.145	29.08

Size Code Dimensions

Size Code	Shell Size Ref.		A Thds. UNEF Class-2B	B Max.		C Max.		Std. Length¹	
	800	801		In.	mm.	In.	mm.	In.	mm.
05	5	N/A	.2500-32	.470	11.94	.350	8.89	.75	19.05
06	6	N/A	.3125-32	.530	13.46	.415	10.54	.75	19.05
11	N/A	8	.3750-32	.570	14.48	.465	11.81	.75	19.05
07	7	9	.4375-28	.637	16.18	.530	13.46	.75	19.05
08	8	10	.5000-28	.700	17.78	.595	15.11	.75	19.05
09	9	11	.5625-24	.758	19.25	.650	16.51	.75	19.05
10	10	12	.6250-24	.819	20.80	.715	18.16	.75	19.05
12	11/12	13	.6875-24	.896	22.76	.785	19.94	.88	22.35
13	N/A	15	.7500-20	.930	23.62	.830	21.08	.88	22.35
14	14/15	18	.9375-20	1.137	28.88	1.020	25.91	1.00	25.40
16	19	21	1.0625-18	1.230	31.24	1.155	29.34	1.00	25.40
17	21	23	1.1875-18	1.387	35.23	1.280	108.71	1.13	28.70

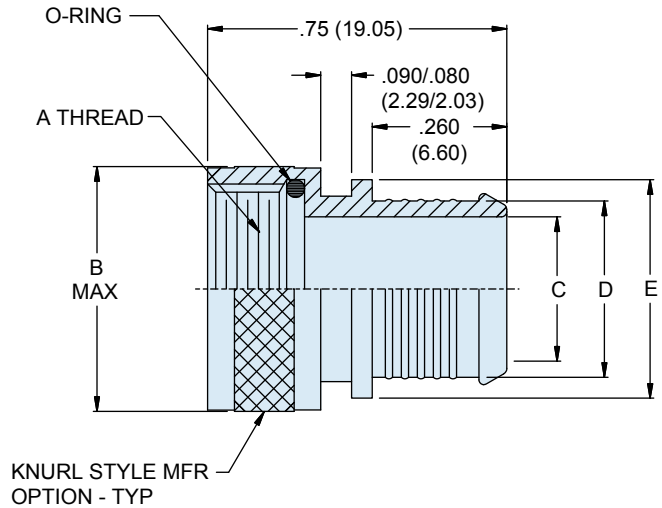
Dimensions in Inches (millimeters) are subject to change without notice.

Series 802 Aqua Mouse Molding, Backshell Banding Adapter 809-141 Ordering Information



These adapters are used with Band-Master™ ATS micro band shield termination straps. Choose the smallest cable entry for your wire bundle.

How To Order					
Sample Part Number	809-141	NF	07	04	B
Series (See Table I)	809-141				
Shell Material and Finish	C = Aluminum / Black Anodize (Non-Conductive) RoHS Compliant M = Aluminum / Electroless Nickel NF = Aluminum / Cadmium with Olive Drab ZN = Aluminum / Zinc-Nickel with Olive Drab Chromate Z1 = Stainless Steel / Passivated				
Shell Size (See Table I)	05, 06, 07, 08, 09, 10, 12, 14, 15				
Dash No. (See Table II)	01, 02, 03, 04, 05, 06, 07, 08, 09, 10, 11, 12, 13, 14, 15, 16, 17				
Band Option	B = 601-060 Flat Band Supplied K = 601-061 Pre-Coiled Band Supplied Omit for No Band Supplied				



Shell Size	A Thread Class -2B	B Max	Dash No. Available ²
05	1/4-32 UNEF	0.375	01-03
06	5/16-32 UNEF	0.438	01-04
07	7/16-28 UNEF	0.562	02-06
08	1/2-28 UNEF	0.625	03-07
09	9/16-24 UNEF	0.682	05-08
10	5/8-24 UNEF	0.745	06-09
12	11/16-24 UNEF	0.807	07-10
14	7/8-20 UNEF	0.985	08-12
15	15/16-20 UNEF	1.047	10-14

Dash No.	C Dia		D Dia		E Dia	
	in	mm	in	mm	in	mm
01	0.094	2.39	0.133	3.38	0.235	5.97
02	0.125	3.18	0.164	4.17	0.266	6.76
03	0.172	4.37	0.211	5.36	0.313	7.95
04	0.234	5.94	0.273	6.93	0.375	9.53
05	0.272	6.91	0.311	7.90	0.413	10.49
06	0.312	7.92	0.351	8.92	0.453	11.51
07	0.375	9.53	0.414	10.52	0.516	13.11
08	0.438	11.13	0.477	12.12	0.579	14.71
09	0.500	12.70	0.539	13.69	0.641	16.28
10	0.562	14.27	0.601	15.27	0.703	17.86
11	0.625	15.88	0.664	16.87	0.766	19.46
12	0.688	17.48	0.727	18.47	0.829	21.06
13	0.750	19.05	0.789	20.04	0.891	22.63
14	0.812	20.62	0.851	21.62	0.953	24.21
15	0.875	22.23	0.914	23.22	1.016	25.81
16	0.938	23.83	0.977	24.82	1.079	27.41
17	1.000	25.40	1.036	26.31	1.141	28.98

NOTES

- Glenair 600 Series backshell assembly tools are recommended for assembly and installation.
 - Consult factory for availability of additional entries.
- Material/Finish:
- Adapter - see Table III
 - O-Ring - Viton/90 shore
 - Band - stainless steel/passivate

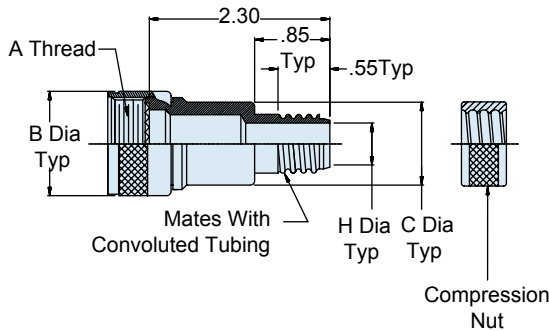
Dimensions in Inches (millimeters) are subject to change without notice.



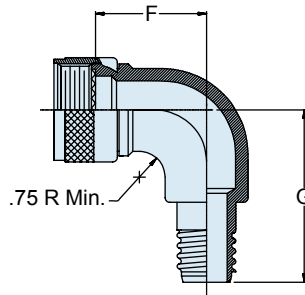
189M052 Straight, 90° and 45° Convolted Tubing Backshell for Series 80 "Mighty Mouse" Fiber Optic Connectors

How To Order					
Sample Part Number	189MS052	NF	12	12	K
Series (See Table I)	189MS052 = Straight 189MN052 = 90° 189MM052 = 45°				
Shell Material and Finish	M = Aluminum / Electroless Nickel; RoHS Compliant MT = Aluminum / Nickel-PTFE RoHS Compliant NF = Aluminum / Cadmium with Olive Drab Chromate				
Size Code	10, 12, 14; See Table I				
Conduit Size Dash No.	10, 16, 20, 24; See Table III				
Tubing	K = Peek Tubing; See P/N 120-108 (Omit for E, F, P or T) See P/N 120-100				

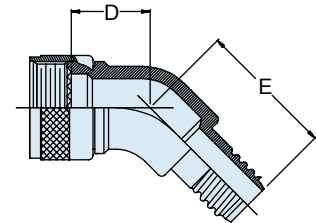
X



SYM S
Straight



SYM N
90°



SYM M
45°

Shell Size	A Thread Class 2B	B Max	C	D Max	E Max	F Max	G Max
10	.6875-24 UNEF	.91 (23.1)	.620 (15.7)	.701(17.81)	1.200(30.48)	1.911(48.54)	2.410(61.21)
12	.6875-24 UNEF	.91 (23.1)	.620 (15.7)	.910 (23.1)	1.250 (31.8)	1.985 (50.4)	2.395 (60.8)
14	.9375-20 UNEF	1.25 (31.8)	.875 (22.2)	1.020 (25.9)	1.370 (34.8)	2.115 (53.7)	2.465 (62.6)

Code	Finish
M	Electroless Nickel
NF	Cadmium/Olive Drab over Electroless Nickel

Refer to Appendix for material/finish details

Frac. Size	Dash No.	H Max
3/8	12	.320 (8.1)
1/2	16	.425 (10.8)
5/8	20	.550 (14.0)
3/4	24	.680 (17.3)

MATERIAL AND FINISH

- Adapter, Coupling Nut and Compression Nut: AL Alloy/see Table II
- O-Ring: Fluorosilicone
- Detent Spring: Torlon

Dimensions in Inches (millimeters) are subject to change without notice.

Series 800 Mighty Mouse Metal Protective Covers with UN Mating Thread 667-184 and 667-185 Ordering Information



Protective covers fit Series 800 plug and receptacle connectors. Aluminum or stainless steel. Fluorosilicone rubber gasket protects connector from contamination and water ingress. Attach to panel or cable with a variety of lanyards and fittings. Lanyard styles include braided nylon rope, stainless steel wire or sash chain. Stainless steel wire available with flexible, rugged polyurethane coating or fluoropolymer sleeve for high temperature requirements.

How To Order	
Sample Part Number	667-184 -M -G 9 04 -6 X
Series (See Table I)	667-184 = Plug Cover 667-185 = Receptacle Cover
Shell Material and Finish	C = Aluminum / Black Anodize (Non-Conductive) RoHS Compliant M = Aluminum / Electroless Nickel RoHS Compliant MT = Aluminum / Nickel-PTFE RoHS Compliant NF = Aluminum / Cadmium with Olive Drab Chromate ZNU = Aluminum / Zinc-Nickel with Black Chromate Z1 = Stainless Steel / Passivated RoHS Compliant
Attachment Type	-D = Bead Chain, CRES, Passivate -F = Wire Rope, Nylon Jacket -G = Nylon Rope -H = SST Wire Rope, Fluoropolymer Jacket -N = No Attachment -R = Wire Rope, PVC Jacket -S = SST Sash Chain -SK = Nylon Rope With Slip Knot -T = SST Wire Rope, No Jacket -U = SST Wire Rope, Polyurethane Jacket "SST" = Stainless Steel
Shell Size	5, 6, 7, 8, 9, 10, 12
Attachment Code (See Table II)	Small Ring = 01, 02, 04, 06 Large Ring = 14 thru 33 Split Ring = 50 thru 68
Attachment Length (Inches)	Omit for attachment Type N (No Attachment) Example: "-6" equals six inch length
Alternate Polarization	X, Y, Z; Omit for Normal

Table I: Shell Style	
667-184 Plug Cover	667-185 Receptacle Cover

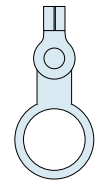
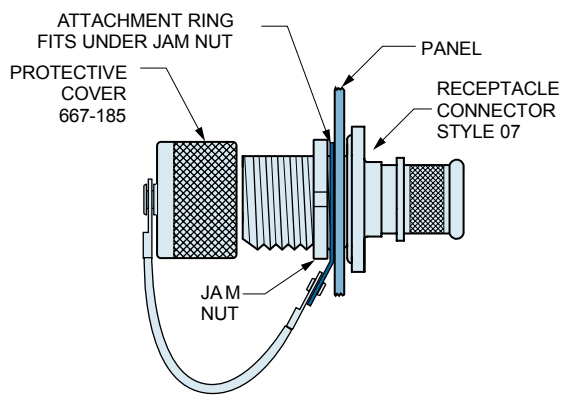
Table II: Attachment Code	
Omit for attachment types N (No Attachment) and SK (Slip Knot)	
	00 - No Eyelet
	01 - .125 (3.2) I.D.
	02 - .145 (3.6) I.D.
	04 - .182 (4.6) I.D.
	06 - .197 (5.0) I.D.
	32 - .265 (6.73) I.D.
	29 - .315 (8.00) I.D.
	14 - .385 (9.78) I.D.
	15 - .445 (11.30) I.D.
	33 - .510 (12.95) I.D.
	16 - .570 (14.48) I.D.
	17 - .635 (16.13) I.D.
	18 - .695 (17.65) I.D.
	27 - .766 (19.46) I.D.
	50 - .432 (11.0) I.D.
	52 - .492 (12.5) I.D.
	54 - .648 (16.5) I.D.
	56 - .757 (19.2) I.D.
	58 - .898 (22.8) I.D.
60 - 1.023 (26.01) I.D.	
64 - 1.137 (28.9) I.D.	
68 - 1.357 (34.5) I.D.	

Dimensions in Inches (millimeters) are subject to change without notice.



Series 800 Mighty Mouse Metal Protective Covers with UN Mating Thread 667-184 and 667-185 Dimensions

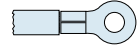
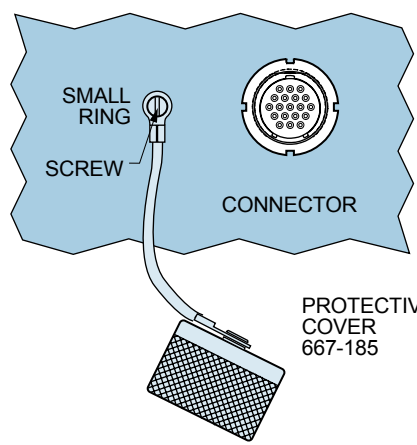
667-185 Cover Attachment for RPM Jam Nut Receptacle



Solid Ring

Attch. Code	Shell Size	Ring I.D.		Ring O.D.	
		In.	mm.	In.	mm.
		± .010	±0.25	± .015	± 0.38
29	5	0.315	8.00	0.44	11.18
14	6	0.385	9.78	0.51	12.95
15	7	0.445	11.30	0.57	14.48
33	8	0.510	12.95	0.62	15.75
16	9	0.570	14.48	0.69	17.53
17	10	0.635	16.13	0.76	19.30
27	12	0.766	19.46	0.89	22.61

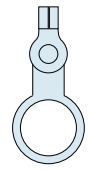
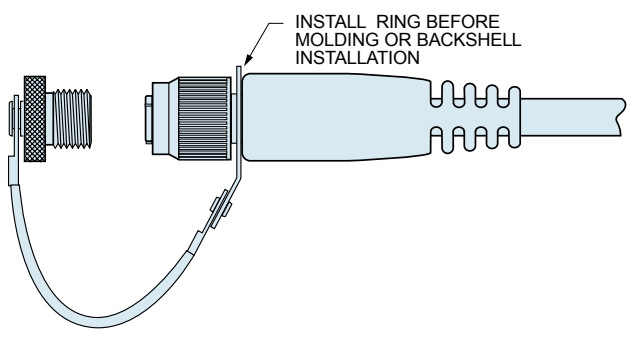
667-185 Cover Attachment to a Panel with a Screw



Small Ring for Attaching Receptacle Covers to a Panel with a Screw

Attch. Code	Screw Size	Ring I.D.		Ring O.D.	
		In.	mm.	In.	mm.
		±.005	±0.13	Max.	Max.
01	#4, M3	.126	3.20	.31	7.9
02	#6	.145	3.68	.31	7.9
04	#8, M4	.188	4.78	.31	7.9
06	#10	.197	5.00	.31	7.9

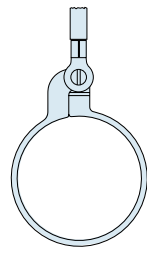
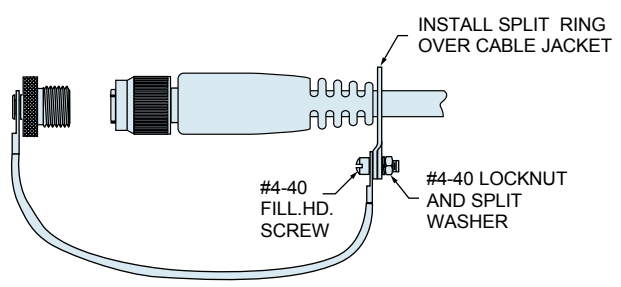
667-184 Cover Attachment to Cable Assembly



Solid Ring

Attch. Code	Shell Size	Ring I.D.		Ring O.D.	
		In.	mm.	In.	mm.
		± .010	±0.25	± .015	± 0.38
29	5	.315	6.73	0.44	11.18
14	6	0.385	9.78	0.51	12.95
33	7,8	0.510	12.95	0.62	15.75
16	9	0.570	14.48	0.69	17.53
17	10	0.635	16.13	0.76	19.30
18	12	0.695	17.65	0.82	20.83

667-184 Cover Attachment for Cable

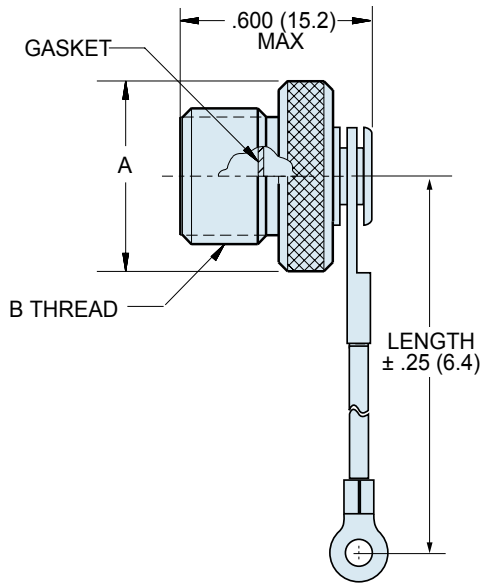


Large Split Ring for Attaching Covers to Cables

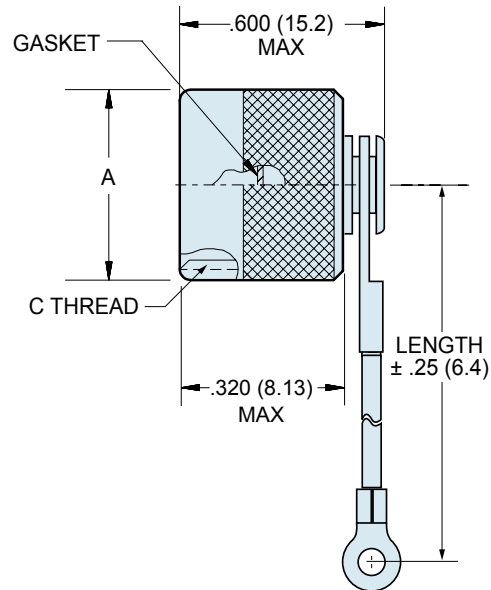
Attch. Code	Max. Cable Dia. (in.)	Ring Diameter			
		Min. ID		Max. OD	
		In.	mm.	In.	mm.
50	.410	.420	10.67	.580	14.73
52	.470	.480	12.19	.640	16.26
54	.625	.635	16.13	.796	20.22
56	.735	.745	18.92	.905	22.99
58	.875	.885	22.48	1.046	26.57
60	1.000	1.010	25.65	1.171	29.74
64	1.115	1.125	28.58	1.285	32.64
68	1.335	1.345	34.16	1.505	38.23

Dimensions in Inches (millimeters) are subject to change without notice.

Series 800 Mighty Mouse Metal Protective Covers with UN Mating Thread 667-184 and 667-185 Dimensions



667-184 Plug Cover



667-185 Receptacle Cover



Shell Size	A Max.		B	C
	In.	mm.		
5	.462	11.73	.3125-28 UN-2A	.3125-28 UN-2B
6	.525	10.80	.3750-28 UN-2A	.3750-28 UN-2B
7	.588	14.94	.4375-28 UNEF-2A	.4375-28 UNEF-2B
8	.650	16.51	.5000-32 UN-2A	.5000-32 UN-2B
9	.713	18.11	.5625-32 UN-2A	.5625-32 UN-2B
10	.838	21.29	.6250-32 UN-2A	.6250-32 UN-2B
12	.900	22.86	.7500-28 UN-2A	.7500-28 UN-2B

NOTES

Materials and Finishes

- Cover: Aluminum alloy per ASTM B211, or stainless steel per AMS-QQ-S-763
- Gasket: Fluorosilicone rubber
- Wire, Hardware: Stainless steel, passivated

Lanyard options	
	-65° to +100°C., black, very flexible, very good abrasion resistance, good resistance to fuels, .120" (3mm) diameter
	Black polyurethane over stainless steel rope, -65° to +125°C., very flexible, excellent abrasion resistance, excellent resistance to fuels, .080" (2mm) diameter
	Translucent FEP jacket over stainless steel, -65° to +200°C., fair flexibility, good abrasion resistance, .100" diameter
	Stainless steel, #8 chain, .240" (6mm)
	65° to +100°C., black, very flexible, very good abrasion resistance, good resistance to fuels, .120" (3mm) diameter. Length includes .5" (13mm) diameter loop.
Slip Knot (SK) for Attaching Covers to Cable	

Dimensions in Inches (millimeters) are subject to change without notice.



Series 801 Mighty Mouse Double-Start ACME Thread Metal Protective Cover 667-217 and 667-218 Ordering Information



Protect Connectors From Damage
Machined aluminum covers have rubber gaskets for a watertight fit.

Stainless Steel Fittings and Rings
Choose small diameter eye fittings for panel attachment. Larger rings fit under the jam nut or over cable jackets. Split rings can be installed on fully assembled cables.

Polyurethane-Coated SST Wire Rope
offers high strength, excellent abrasion resistance and good flexibility. Or, choose Fluoropolymer jacket for high temperature exposure.

Braided Nylon Rope provides excellent flexibility and good abrasion resistance, and can be ordered with slip knot fittings for easy installation on any size cable.

X

How To Order						
Sample Part Number	667-217	-M	-G	9	04	-6
Series (See Table I)	667-217 = Plug Cover 667-218 = Receptacle Cover					
Material and Finish	C = Aluminum / Black Anodize (Non-Conductive) RoHS Compliant M = Aluminum / Electroless Nickel RoHS Compliant MT = Aluminum / Nickel-PTFE RoHS Compliant NF = Aluminum / Cadmium with Olive Drab Chromate ZNU = Aluminum / Zinc-Nickel with Black Chromate Z1 = Stainless Steel / Passivated RoHS Compliant					
Attachment Type	-D = Bead Chain, CRES, Passivate -F = Wire Rope, Nylon Jacket -G = Nylon Rope -H = SST Wire Rope, Fluoropolymer Jacket -N = No Attachment -R = Wire Rope, PVC Jacket -S = SST Sash Chain -SK = Nylon Rope With Slip Knot -T = SST Wire Rope, No Jacket -U = SST Wire Rope, Polyurethane Jacket "SST" = Stainless Steel					
Shell Size	5, 6, 7, 8, 9, 10, 11, 13, 16, 17, 19, 21					
Attachment Code (See Table II)	Small Ring = 01 thru 06		Split Ring = 50 thru 68			
Attachment Length (inches)	Solid Ring = 14 thru 33 Omit for attachment Type N (No Attachment) Example "-6" equals six inch length					

Table I: Cover Style	
667-217 Plug Cover	667-218 Receptacle Cover

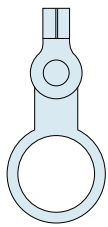
Table II: Attachment Code	
Omit for attachment types N (No Attachment) and SK (Slip Knot)	
Small Ring ± .010 I.D. tolerance	01 - .126 (3.20) I.D. 02 - .145 (3.68) I.D. 04 - .188 (4.78) I.D. 06 - .197 (5.00) I.D.
Large Ring ± .015 I.D. tolerance	32 - .265 (.37) I.D. 29 - .315 (8.00) I.D. 14 - .385 (9.78) I.D. 15 - .445 (11.30) I.D. 33 - .510 (12.95) I.D. 16 - .570 (14.48) I.D. 17 - .635 (16.13) I.D. 18 - .695 (17.65) I.D. 27 - .766 (.89) I.D. 19 - .885 (22.48) I.D. 26 - .950 (24.13) I.D. 20 - 1.070 (27.17) I.D. 21 - 1.135 (28.83) I.D. 22 - 1.210 (30.73) I.D. 23 - 1.275 (32.39) I.D. 30 - 1.380 (35.05) I.D.
Split Ring 	50 - .432 (11.00) I.D. 52 - .492 (12.50) I.D. 54 - .648 (16.50) I.D. 56 - .757 (19.20) I.D. 58 - .898 (22.80) I.D. 60 - 1.023 (26.00) I.D. 64 - 1.137 (28.90) I.D. 68 - 1.357 (34.50) I.D.

Dimensions in Inches (millimeters) are subject to change without notice.

Series 801 Mighty Mouse Double-Start ACME Thread Metal Protective Cover 667-217 and 667-218 Dimensions



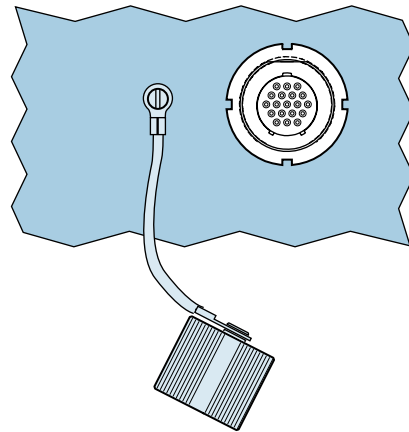
667-218 Cover Attachment for RPM Jam Nut Receptacle



Solid Ring

Atch. Code	Shell Size	Ring I.D.		Ring O.D.	
		In. ±.015	mm. ±0.25	In. ±.015	mm. ± 0.38
14	5	.385	9.78	.51	12.95
15	6	.445	11.30	.57	14.35
16	7, 8	.570	14.48	.69	17.40
17	9	.635	16.13	.76	19.30
18	10	.695	17.65	.82	20.82
27	11	.766	19.46	.89	22.61
19	13	.885	22.48	1.01	25.65
20	16	1.070	27.17	1.20	30.35
21	17	1.135	28.83	1.25	31.75
23	19	1.275	30.734	1.37	33.27
30	21	1.380	35.05	1.52	37.85

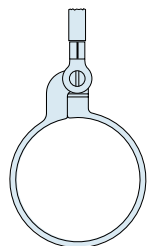
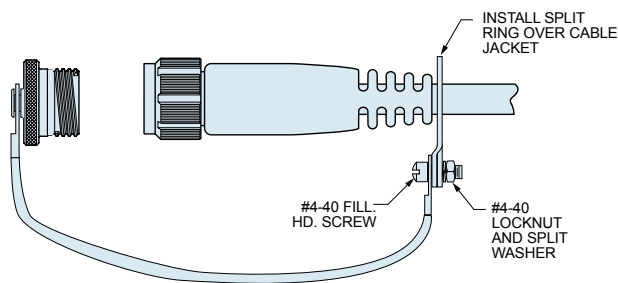
667-218 Cover Attachment to a Panel with a Screw



Small Ring for Attaching Receptacle Covers to a Panel with a Screw

Atch. Code	Screw Size	Ring I.D.		Ring O.D.	
		In. ±.010	mm. ±0.13	In. Max.	mm. Max.
01	#4, M3	.126	3.20	.31	7.9
02	#6	.145	3.68	.31	7.9
04	#8, M4	.188	4.78	.31	7.9
06	#10	.197	5.00	.31	7.9

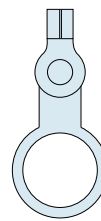
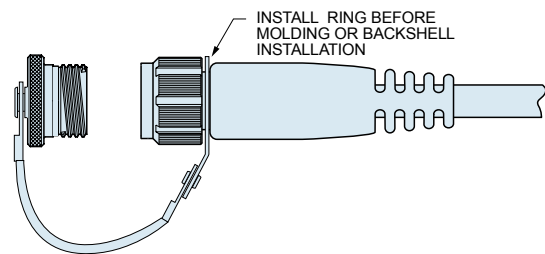
667-217 Cover Attachment to Cable



Large Split Ring for Attaching Covers to Cables

Atch. Code	Max. Cable Dia. (in.)	Ring Diameter			
		Min. ID		Max. OD	
		In.	mm.	In.	mm.
50	.410	.420	10.67	.580	14.73
52	.470	.480	12.19	.640	16.26
54	.625	.635	16.13	.796	20.22
56	.735	.745	18.92	.905	22.99
58	.875	.885	22.48	1.046	26.57
60	1.000	1.010	25.65	1.171	29.74
64	1.115	1.125	28.58	1.285	32.64
68	1.335	1.345	34.16	1.505	38.23

667-217 Cover Attachment to Cable Assembly



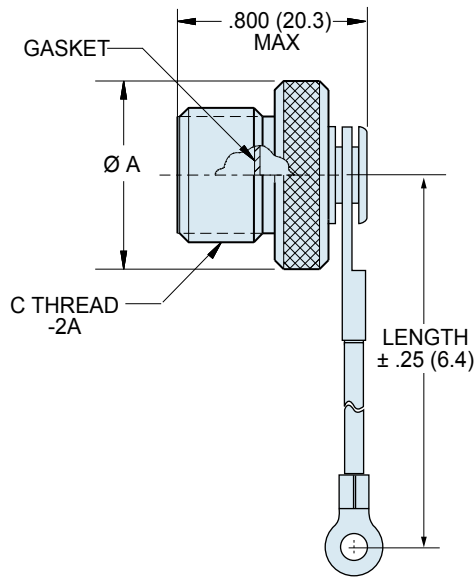
Solid Ring

Atch. Code	Shell Size	Ring I.D.		Ring O.D.	
		In. ±.015	mm. ±0.25	In. ±.015	mm. ± 0.38
29	5	.315	8.00	.44	11.18
14	6	.385	9.78	.51	12.95
33	7,8	.510	12.95	.62	15.75
16	9	.570	14.48	.69	17.53
17	10	.635	16.13	.76	19.30
18	11,13	.695	17.65	.82	20.83
26	16,17	.950	24.13	1.14	28.96
20	19	1.070	27.18	1.20	30.48
22	21	1.210	30.73	1.31	33.27

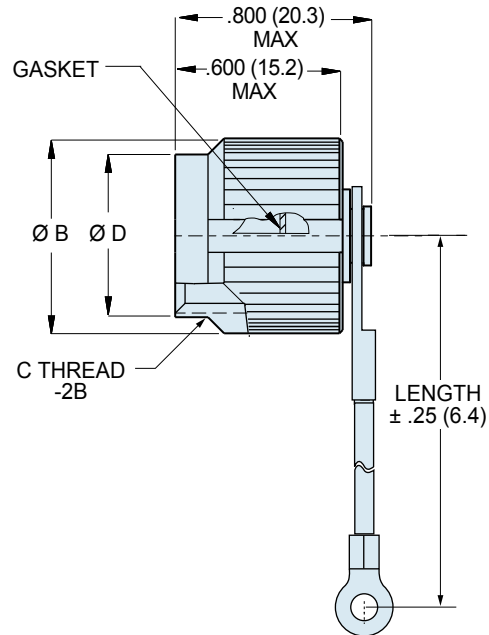
Dimensions in Inches (millimeters) are subject to change without notice.



Series 801 Mighty Mouse Double-Start ACME Thread Metal Protective Cover 667-217 and 667-218 Dimensions



667-217 Plug Cover



667-218 Receptacle Cover

X

Dimensions							
Shell Size	Ø A Max.		Ø B Max.		Ø D ±.015 (0.38)		C Thread
	In.	mm.	In.	mm.	In.	mm.	
5	.465	11.8	.488	12.40	.368	9.3	.3125-.05P-.1L
6	.525	13.3	.555	14.10	.453	11.5	.375-.05P-.1L
7	.590	14.9	.615	15.62	.538	13.7	.4375-.05P-.1L
8	.653	16.6	.675	17.15	.587	14.9	.5000-.05-.1L
9	.715	18.0	.840	21.34	.648	16.5	.5625-.05P-.1L
10	.778	19.7	.905	22.95	.712	18.1	.6250-.05P-.1L
11	.840	21.3	.948	24.1	.778	19.8	.6875-.05P-.1L
13	.965	24.4	.995	25.27	.904	22.9	.8125-.1P-.2L
16	1.150	29.2	1.261	32.03	1.092	27.7	1.000-.1P-.2L
17	1.215	30.8	1.321	33.55	1.158	29.4	1.062-.1P-.2L
19	1.340	34.0	1.447	36.8	1.283	32.6	1.1875-.1P-.2L
21	1.477	37.5	1.570	39.88	1.412	35.8	1.3125-.1P-.2L

NOTES

Materials and Finishes

1. Cover: Aluminum alloy or stainless steel
2. Gasket: Fluorosilicone rubber
3. Wire, Hardware: Stainless steel, passivated

Lanyard Options	
	-65° to +100°C., black, very flexible, very good abrasion resistance, good resistance to fuels, .120" (3mm) diameter
	Black polyurethane over stainless steel rope, -65° to +125°C., very flexible, excellent abrasion resistance, excellent resistance to fuels, .080" (2mm) diameter
	Translucent FEP jacket over stainless steel, -65° to +200°C., fair flexibility, good abrasion resistance, .100" diameter
	Stainless steel, #8 chain, .240" (6mm)
	65° to +100°C., black, very flexible, very good abrasion resistance, good resistance to fuels, .120" (3mm) diameter. Length includes .5" (13mm) diameter loop.

Dimensions in Inches (millimeters) are subject to change without notice.

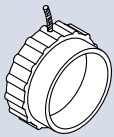
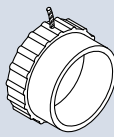
Series 801 Mighty Mouse and Series 811 High Density Rubber Protective Cover

809-190 and 809-191 Ordering Information



Splashproof Molded Rubber Covers fit all Series 801 and 811 plugs and receptacles. Braided black nylon lanyard is available with metal rings, cable tie or slipknot for attachment to panel or to cable. -40° to +120° C operating temperature, fungus resistant per MIL-STD-810G Method 508.6.


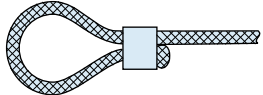

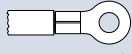
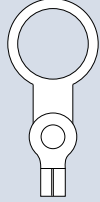
How To Order	
Sample Part Number	809-191 -05 G 6 -SCS 6
Series (See Table I)	809-191 = Plug Cover 809-190 = Receptacle Cover
Shell Size	5, 6, 7, 8, 9, 10, 11, 13, 16, 17, 19, 21
Lanyard Type	G = Nylon Rope Omit for no lanyard
Attachment Length (inches)	Omit for attachment Type N (No Attachment) Example: "-6" equals six inch length
Attachment Type (See Table II)	-WS = Nylon Cable -SCS = Adjustable Slip Knot -00 = Lanyard with No Attachment Lug Terminals = -01 thru -07 Solid Ring = -08 thru -33
Material	Omit for Neoprene Rubber per ASTM-D-2000 BC610Z1 C = Conductive Neoprene Blend (Conductance = 100K Ohms/Sq. Minimum)

Table I: Cover Style	
	
809-190 Receptacle Cover	809-191 Plug Cover

NOTES

Materials and Finishes

- Cover: neoprene rubber blend, black
- Lanyard: .062" (1.57) diameter nylon cord, black
- Cable tie: 6/6 nylon, black, SST locking tab
- Ring: stainless steel, black zinc-cobalt finish
- Crimp sleeve: copper alloy, black zinc-cobalt finish

Table II: Attachment Code	
	-WS Nylon Cable Tie, 1.77 Inch (45mm) Maximum Wire Bundle Diameter
	-SCS Adjustable Slip Knot with Crimp Sleeve. The sleeve can be crimped with pliers for a permanent attachment.
	-00 Lanyard With No Attachment (Fused End)
Lug Terminals and Rings	
	-01 - .126 (3.20) I.D. -02 - .140 (3.56) I.D. -03 - .145 (3.68) I.D. -04 - .156 (3.96) I.D. -05 - .167 (4.24) I.D. -06 - .188 (4.78) I.D. -07 - .197 (5.00) I.D.
	-08 - .385 (9.78) I.D. -09 - .445 (11.30) I.D. -11 - .570 (14.48) I.D. -13 - .635 (16.13) I.D. -14 - .695 (17.65) I.D. -16 - .885 (22.48) I.D. -19 - 1.070 (27.18) I.D. -20 - 1.135 (28.83) I.D. -22 - 1.210 (30.73) I.D. -23 - 1.275 (32.39) I.D. -26 - .950 (24.10) I.D. -27 - .766 (19.50) I.D. -29 - .315 (8.00) I.D. -30 - 1.380 (35.10) I.D. -32 - .265 (6.70) I.D. -33 - .510 (13.00) I.D.



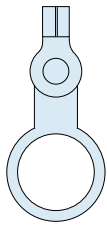
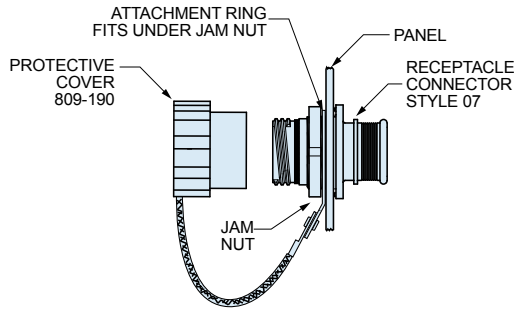
Dimensions in Inches (millimeters) are subject to change without notice.



Series 801 Mighty Mouse and Series 811 High Density Rubber Protective Cover

809-190 and 801-191 Dimensions

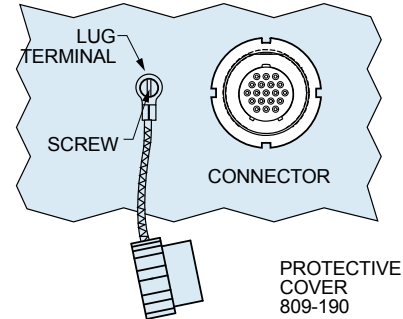
809-190 Cover Attachment for RPM Jam Nut Receptacle



Solid Ring

Atch. Code	Shell Size	Ring I.D.		Ring O.D.	
		In. ± .010	mm. ±0.25	In. ± .015	mm. ± 0.38
08	5	.385	9.78	.51	12.95
09	6	.445	11.30	.57	14.35
11	7, 8	.570	14.48	.69	17.40
13	9	.635	16.13	.76	19.30
14	10	.695	17.65	.82	20.82
27	11	.766	19.46	.89	22.61
16	13	.885	22.48	1.01	25.65
19	16	1.070	27.17	1.20	30.35
20	17	1.135	28.83	1.25	31.75
23	19	1.275	32.39	1.37	34.80
30	21	1.380	35.05	1.48	37.59

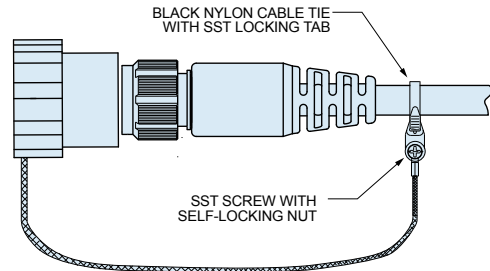
809-190 Cover Attachment to Panel with a Screw



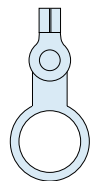
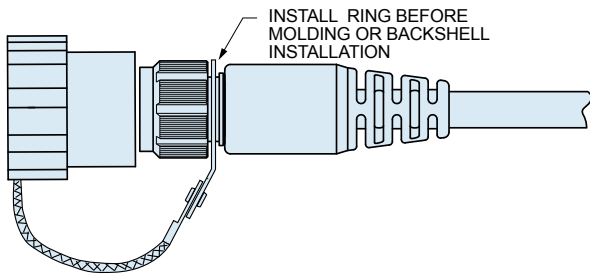
Lug Terminal for Attaching Receptacle Covers to a Panel with a Screw	Atch. Code	Screw Size	Ring I.D.		Ring O.D.	
			In. ±.005	mm. ±0.13	In. Max.	mm. Max.
01	#4, M3	.126	3.20	.31	7.9	
02	#6	.145	3.68	.31	7.9	
06	#8, M4	.188	4.78	.31	7.9	
07	#10	.197	5.00	.31	7.9	

X

809-190 and 191 Cover Attachment for Cable Assembly with Type WS Cable Tie



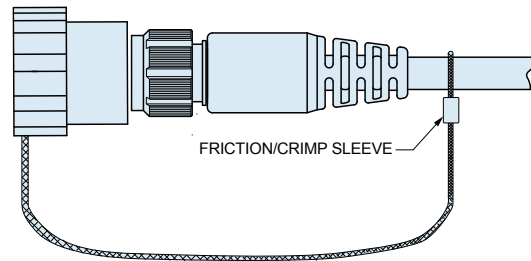
809-190 and 801-191 Cover Attachment to Cable Assembly



Solid Ring

Atch. Code	Shell Size	Ring I.D.		Ring O.D.	
		In. ± .010	mm. ±0.25	In. ± .015	mm. ± 0.38
29	5	.315	8.00	.44	11.18
08	6	.385	9.80	.51	13.0
33	7,8	.510	12.95	.62	15.75
11	9	.570	14.48	.69	17.53
13	10	.635	16.13	.76	19.30
14	11,13	.695	17.65	.82	20.83
26	16,17	.950	24.13	1.14	28.96
19	19	1.070	27.18	1.20	30.48
22	21	1.210	30.73	1.31	33.27

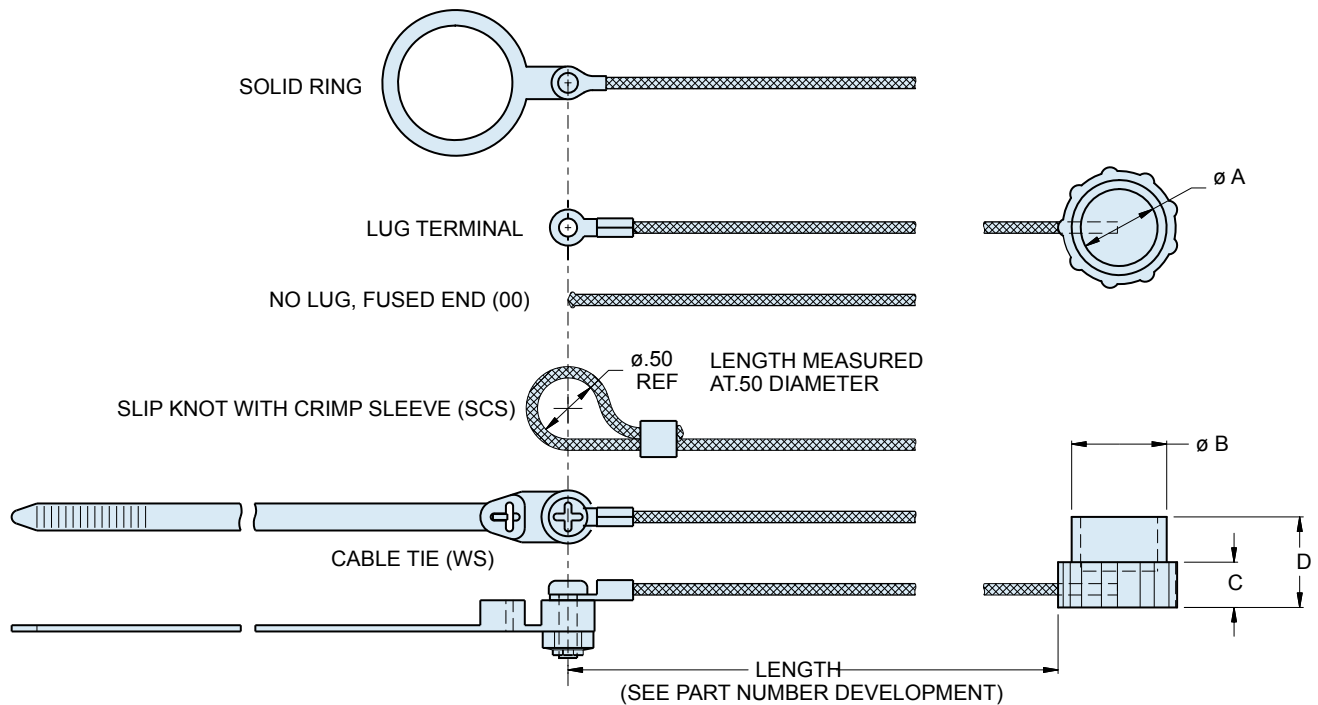
809-190 and 191 Cover Attachment for Cable Assembly with Type SCS Slip Knot



Dimensions in Inches (millimeters) are subject to change without notice.

Series 801 Mighty Mouse and Series 811 High Density Rubber Protective Cover

809-190 and 801-191 Dimensions



809-190 Receptacle Cover								
Shell Size	Ø A		Ø B		C ± .010 (0.3)		D ± .010 (0.3)	
	In.	mm.	In.	mm.	In.	mm.	In.	mm.
05	.28	7.1	.41	10.4	.31	7.9	.62	15.7
06	.35	8.9	.47	11.9	.31	7.9	.62	15.7
07	.41	10.4	.53	13.5	.31	7.9	.62	15.7
08	.47	11.9	.60	15.2	.31	7.9	.62	15.7
09	.53	13.5	.66	16.8	.31	7.9	.62	15.7
10	.60	15.2	.72	18.3	.31	7.9	.62	15.7
11	.66	16.8	.78	20.1	.31	7.9	.62	15.7
13	.78	19.8	.91	23.1	.31	7.9	.62	15.7
16	.97	24.6	1.10	27.9	.31	7.9	.62	15.7
17	1.03	26.2	1.16	29.5	.31	7.9	.62	15.7
19	1.16	26.46	1.28	35.51	.31	7.9	.62	15.7
21	1.28	35.51	1.41	35.81	.31	7.9	.62	15.7

809-191 Plug Cover								
Shell Size	Ø A		Ø B		C		D	
	In.	mm.	In.	mm.	In.	mm.	In.	mm.
05	.51	13.0	.70	17.8	.375	9.5	.875	22.2
06	.57	14.5	.76	19.3	.375	9.5	.875	22.2
07	.66	16.8	.85	21.6	.375	9.5	.875	22.2
08	.72	18.3	.91	23.1	.375	9.5	.875	22.2
09	.78	19.8	.97	24.6	.375	9.5	.875	22.2
10	.85	21.6	1.03	26.2	.375	9.5	.875	22.2
11	.89	22.6	1.08	27.4	.375	9.5	.875	22.2
13	1.02	25.4	1.21	30.7	.375	9.5	.875	22.2
16	1.21	30.7	1.40	35.6	.375	9.5	.875	22.2
17	1.27	32.3	1.46	37.1	.375	9.5	.875	22.2
19	1.38	35.05	1.56	39.62	.375	9.5	.875	22.2
21	1.52	38.60	1.71	43.43	.375	9.5	.875	22.2

Dimensions in Inches (millimeters) are subject to change without notice.



Series 811 Mighty Mouse High Density (HD) Metal Protective Covers

667-347 and 667-218



Protect Connectors From Damage

Machined aluminum covers have rubber gaskets for a watertight fit.

Stainless Steel Fittings and Rings

Choose small diameter eye fittings for panel attachment. Larger rings fit under the jam nut or over cable jackets. Split rings can be installed on fully assembled cables.


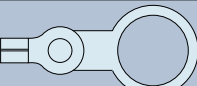
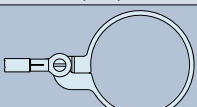
Polyurethane-Coated SST Wire Rope

offers high strength, excellent abrasion resistance and good flexibility. Or, choose Fluoropolymer® jacket for high temperature exposure.

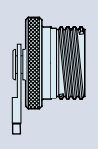
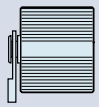
Braided Nylon Rope

provides excellent flexibility and good abrasion resistance, and can be ordered with slip knot fittings for easy installation on any size cable.

X

Table I: Attachment Code	
Omit for attachment types N (No Attachment) and SK (Slip Knot)	
Attachment Code	Inside Diameter
Small Ring 	
01	.126 (3.20) I.D.
02	.145 (3.68) I.D.
04	.188 (4.78) I.D.
06	.197 (5.00) I.D.
Large Ring 	
14	.385 (9.78) I.D.
15	.445 (11.30) I.D.
16	.570 (14.48) I.D.
17	.635 (16.13) I.D.
18	.695 (17.65) I.D.
19	.885 (22.48) I.D.
20	1.070 (27.17) I.D.
21	1.135 (28.83) I.D.
22	1.210 (30.73) I.D.
23	1.275 (32.39) I.D.
27	.766 (19.5) I.D.
29	.315 (8.0) I.D.
32	.265 (6.7) I.D.
33	.510 (13.0) I.D.
Split Ring 	
50	.420 (10.67) I.D.
52	.480 (12.19) I.D.
54	.635 (16.13) I.D.
56	.745 (18.92) I.D.
58	.885 (22.48) I.D.
60	1.010 (25.65) I.D.
64	1.125 (28.58) I.D.
68	1.345 (34.16) I.D.

How To Order						
Sample Part Number	667-347	-ME	-G	9	04	-6
Series	667-347 = Protective cover for use with series 811 plugs 667-218 = Protective Cover for use with Series 811 Receptacles					
Shell Material / Finish	ME = Aluminum / Electroless Nickel RoHS Compliant MT = Aluminum / Nickel-PTFE RoHS Compliant ZR = Aluminum / Zinc-Nickel with Black Chromate					
Attachment Type	-G = Nylon Rope -H = SST Wire Rope, Fluoropolymer Jacket -N = No Attachment -S = SST Sash Chain -SK = Nylon Rope With Slip Knot -T = SST Wire Rope, No Jacket -U = SST Wire Rope, Polyurethane Jacket "SST" = Stainless Steel					
Shell Size	5, 6, 7, 8, 9					
Attachment Code See Table I	Small ring = 01, 02, 04, 06 Large ring = 14, 15, 16, 17, 18, 19, 20, 21, 22, 23, 27, 29, 32, 33 Split ring = 50, 52, 54, 56, 58, 60, 64, 68					
Attachment Length in Inches	Omit for attachment Type N (No Attachment) Example: "-6" equals six inch length					

Table I: Cover Style	
	
667-347 Plug Cover	667-218 Receptacle Cover

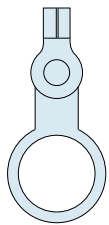
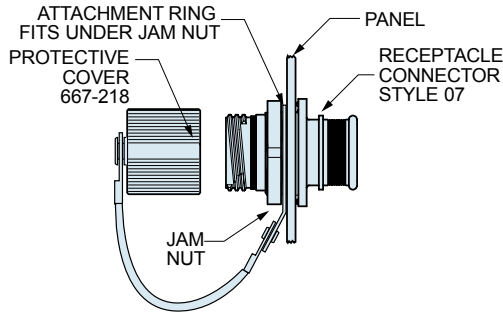
Dimensions in Inches (millimeters) are subject to change without notice.

Series 811 Mighty Mouse High Density (HD) Metal Protective Cover

667-347 and 667-218 Dimensions and Attachments



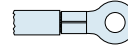
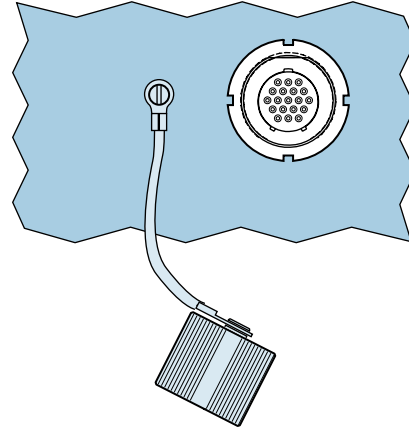
667-218 Cover Attachment to RPM Jam Nut Receptacle



Solid Ring

Attch. Code	Shell Size	Ring I.D.		Ring O.D.	
		In.	mm.	In.	mm.
		± .010	±0.25	± .015	± 0.38
14	5	.385	9.78	.510	12.95
15	6	.445	11.30	.565	14.35
16	7, 8	.570	14.48	.685	17.40
17	9	.635	16.13	.760	19.30

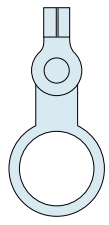
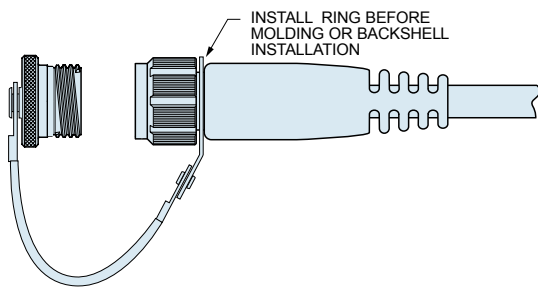
667-218 Cover Attachment to Panel with Screw



Small Ring for Attaching Receptacle Covers to a Panel with a Screw

Attch. Code	Screw Size	Ring I.D.		Ring O.D.	
		In.	mm.	In.	mm.
		±.005	±0.13	Max.	Max.
01	#4, M3	.126	3.20	.31	7.9
02	#6	.145	3.68	.31	7.9
04	#8, M4	.188	4.78	.31	7.9
06	#10	.197	5.00	.31	7.9

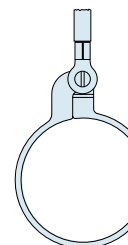
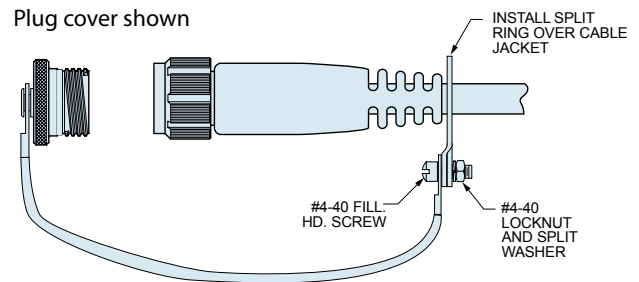
667-347 Cover Attachment to Cable Assembly



Solid Ring

Attch. Code	Shell Size	Ring I.D.		Ring O.D.	
		In.	mm.	In.	mm.
		± .010	±0.25	± .015	± 0.38
14	5,6	.385	9.78	.510	12.95
15	7	.445	11.30	.565	14.35
16	8, 9	.570	14.48	.685	17.40

667-347 Cover Attachment to Cable



Large Split Ring for Attaching Covers to Cables

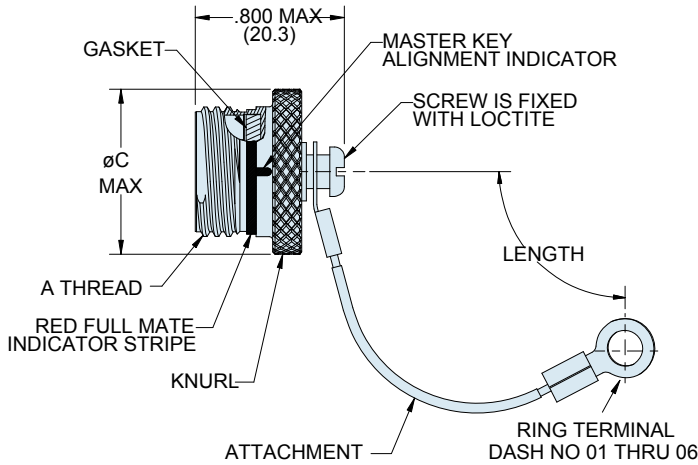
Attch. Code	Max. Cable Dia. (in.)	Ring Diameter			
		Min. ID		Max. OD	
		In.	mm.	In.	mm.
50	.410	.420	10.67	.580	14.73
52	.470	.480	12.19	.640	16.26
54	.625	.635	16.13	.796	20.22
56	.735	.745	18.92	.905	22.99
58	.875	.885	22.48	1.046	26.57
60	1.000	1.010	25.65	1.171	29.74
64	1.115	1.125	28.58	1.285	32.64
68	1.335	1.345	34.16	1.505	38.23

Dimensions in Inches (millimeters) are subject to change without notice.

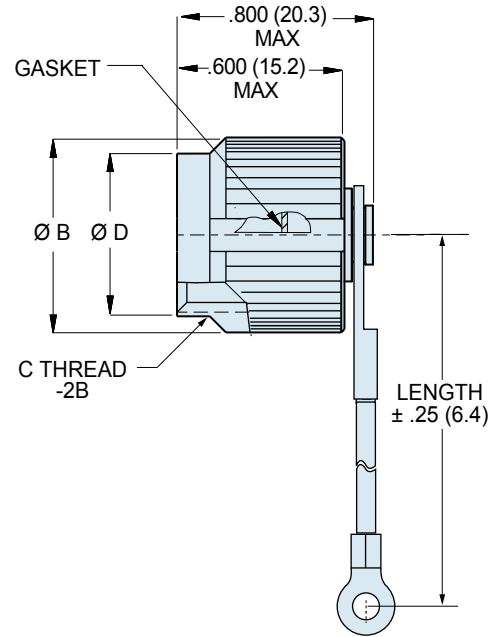


Series 811 Mighty Mouse High Density (HD) Metal Protective Cover

667-347 and 667-218 Dimensions and Attachments



667-347 Plug Cover



667-218 Receptacle Cover

X

Shell Size	Dimensions				C Thread
	A Max.		B Max.		
	In.	mm.	In.	mm.	
5	.465	11.81	.488	12.40	.3125-.05P-.1L
6	.525	13.34	.555	14.10	.3750-.05P-.1L
7	.590	14.99	.615	15.62	.4375-.05P-.1L
8	.653	16.59	.675	17.15	.5000-.05-.1L
9	.715	18.16	.840	21.34	.5625-.05P-.1L

NOTES

Materials and Finishes

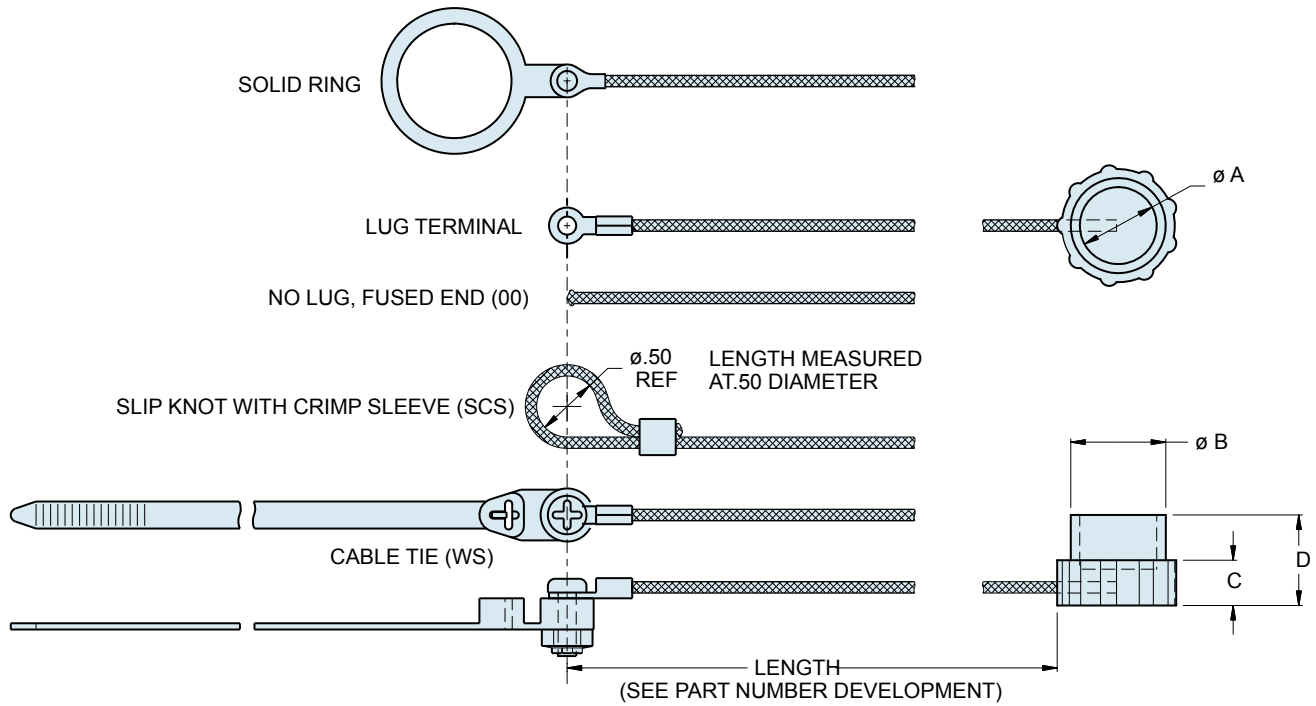
- Cover: aluminum alloy or stainless steel
- Gasket: silicone rubber
- Wire, hardware: stainless steel, passivated

Lanyard Options	
	-65° to +100°C., black, very flexible, very good abrasion resistance, good resistance to fuels, .120" (3mm) diameter
	Black polyurethane over stainless steel rope, -65° to +125°C., very flexible, excellent abrasion resistance, excellent resistance to fuels, .080" (2mm) diameter
	Translucent FEP jacket over stainless steel, -65° to +200°C., fair flexibility, good abrasion resistance, .100" diameter
	Stainless steel, #8 chain, .240" (6mm)
	65° to +100°C., black, very flexible, very good abrasion resistance, good resistance to fuels, .120" (3mm) diameter. Length includes .5" (13mm) diameter loop.

Dimensions in Inches (millimeters) are subject to change without notice.

Series 811 Mighty Mouse High Density (HD) Rubber Protective Cover

809-190 and 809-191 Dimensions and Attachments



809-190 Receptacle Cover Dimensions				
Shell Size	Ø A		Ø B	
	In.	mm.	In.	mm.
-05	.28	7.1	.41	10.4
-06	.35	8.9	.47	11.9
-07	.41	10.4	.53	13.5
-08	.47	11.9	.60	15.2
-09	.53	13.5	.66	16.8

809-191 Plug Cover Dimensions				
Shell Size	Ø A		Ø B	
	In.	mm.	In.	mm.
-05	.51	13.0	.70	17.8
-06	.57	14.5	.76	19.3
-07	.66	16.8	.85	21.6
-08	.72	18.3	.91	23.1
-09	.78	19.8	.97	24.6

Dimensions in Inches (millimeters) are subject to change without notice.



Series 802 AquaMouse™ Submersible IP68 Protective Cover

660-088 and 660-087 Ordering Information



Protect Connectors From Damage – These covers prevent ingress of water and contamination. Stainless steel plug covers feature Viton® O-rings for IP68 sealing (one meter for one hour). Receptacle covers have a Viton® gasket and are made from marine bronze to minimize galling. Cover is designed for low PSI connector protection. For 3500 PSI protection, use part numbers 667-241 and 667-242

Three Types of Attachment Rings
Choose small diameter eye fittings for panel attachment. Larger rings fit under the jam nut or over cable jackets. Split

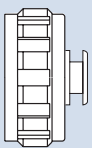
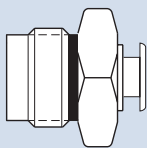
rings can be installed on fully assembled cables.

Polyurethane-Coated SST Wire Rope offers high strength, excellent abrasion resistance and good flexibility. Or, choose Fluoropolymer jacket for high temperature exposure.

Braided Nylon Rope provides excellent flexibility and good abrasion resistance, and can be ordered with slip knot fittings for easy installation on any size cable.

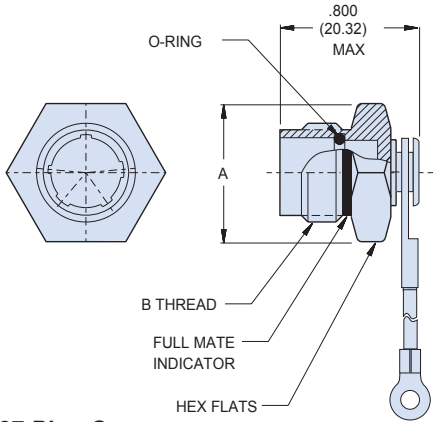
X

How To Order							
Sample Part Number		660-088	-9	G	04	-6	B
Series (See Table I)	660-088 = Receptacle Cover 660-087 = Plug Cover						
Shell Size	-5, -6, -7, -8, -9, -10, -12, -14, -15, -21						
Attachment Type	G = Nylon Rope H = SST Wire Rope, Fluoropolymer Jacket N = No Attachment S = SST Sash Chain SK = Nylon Rope With Slip Knot T = SST Wire Rope, No Jacket U = SST Wire Rope, Polyurethane Jacket "SST" = Stainless Steel						
Attachment Code (See Table II)	Small Ring = 01, 02, 04, 06 Solid Ring = 16 thru 24 Split Ring = 50 thru 72						
Attachment Length (inches)	Example "-6" equals six inch length Omit for attachment Type N (No Attachment)						
Alternate Key Position (660-087 Only)	Omit for plug connectors with standard "A" key position, for all other positions indicate B, C or D Omit if ordering 660-088 receptacle cover						

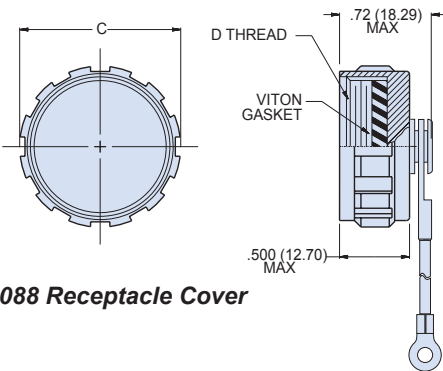
Table I: Cover Style	
	
660-088 Receptacle Cover	660-087 Plug Cover

Dimensions in Inches (millimeters) are subject to change without notice.

Series 802 AquaMouse™ Submersible IP68 Protective Cover 660-088 and 660-087 Dimensions



660-087 Plug Cover



660-088 Receptacle Cover

660-087 & -088 Dimensions						
Shell Size	A Hex		B Thread Class 2A	Ø C Max.		D Thread Class 2B
	In.	mm.		In.	mm.	
5	.500	12.70	.438-28 UNEF	.59	15.0	.438-28 UNEF
6	.625	15.88	.562-20 UN	.72	18.3	.562-20 UN
7	.688	17.48	.625-20 UN	.78	19.8	.625-20 UN
8	.750	19.05	.687-20 UN	.84	21.3	.687-20 UN
9	.812	20.62	.750-20 UNEF	.90	22.9	.750-20 UNEF
10	.875	22.23	.812-20 UNEF	.97	24.6	.812-20 UNEF
12	.938	23.83	.875-20 UNEF	1.03	26.2	.875-20 UNEF
14	1.125	28.58	1.062-20 UN	1.22	31.0	1.062-20 UN
15	1.188	30.18	1.125-20 UN	1.28	32.5	1.125-20 UN
21	1.562	39.67	1.438-20 UN	1.61	40.9	1.438-20 UN

NOTES

Materials and Finishes

- Plug Cover: 316 stainless steel, passivated
- Receptacle Cover: marine bronze, unplated
- O-Ring: Viton rubber
- Gasket: Viton rubber
- Wire, Hardware: Stainless steel, passivated

Dimensions in Inches (millimeters) are subject to change without notice.

Table II: Attachment Options				
<p>Small Ring For Attaching Receptacle Covers to a Panel with a Screw</p>	Attch. Code	Screw Size	Ring I.D.	
			In.	mm.
	01	#4, M3	.126	3.20
	02	#6	.145	3.68
	04	#8, M4	.188	4.78
	06	#10	.197	5.00
<p>Solid Ring for Attaching Receptacle Covers to Jam Nut Receptacles</p>	Attch. Code	Receptacle Cover Shell Size	Ring I.D.	
			In.	mm.
	16	5	.570	14.5
	17	6	.635	16.1
	18	7	.695	17.7
	19	8, 9, 10	.885	22.5
	20	12	1.070	27.2
	21	14	1.135	28.8
	22	15	1.210	30.7
	24	21	1.530	38.9
<p>Large Split Ring for Attaching Covers to Cables</p>	Attch. Code	Max. Cable Dia.	Min. ID	
	50	.410	.420	10.67
	52	.470	.480	12.19
	54	.625	.635	16.13
	56	.735	.745	18.92
	58	.875	.885	22.48
	60	1.000	1.010	25.65
	64	1.115	1.125	28.58
	68	1.335	1.345	34.16
		72	1.416	1.438
<p>Slip Knot (SK) for Attaching Covers to Cable</p>				

Jam Nut Major Diameter Reference			
Shell Size	Jam Nut Thread Major Dia.	Shell Size	Jam Nut Thread Major Dia.
5	.5000	10	.8750
6	.6250	12	.9375
7	.6875	14	1.1250
8	.7500	15	1.1875
9	.8125	21	1.5000





Series 802 AquaMouse™ Submersible 3500 PSI Protective Cover

667-241 and 667-242 Ordering Information



Protect Connectors From Damage – These covers prevent ingress of water and contamination. Stainless steel plug covers feature Viton® O-rings for 3500 PSI sealing. Receptacle covers have a Viton® gasket and are made from marine bronze to minimize galling. For low-pressure IP68 receptacle sealing only, use part number 660-088.

Polyurethane-Coated SST Wire Rope offers high strength, excellent abrasion resistance and good flexibility. Or, choose Teflon® jacket for high temperature exposure.

Braided Nylon Rope provides excellent flexibility and good abrasion resistance, and can be ordered with slip knot fittings for easy installation on any size cable.

X

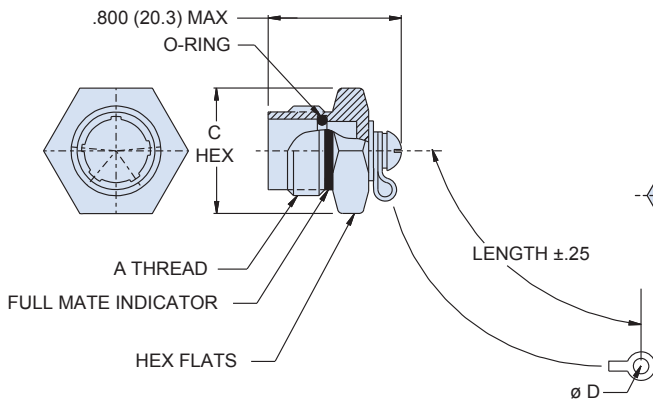
How To Order	
Sample Part Number	667-241 -S 6 03 -6
Series (See Table I)	667-241 = Plug Cover 667-242 = Receptacle Cover
Attachment Type	-D = Bead Chain, Cres., Passivate -F = Wire Rope, Nylon Jacket -G = Nylon Rope -H = SST Wire Rope, Teflon® Jacket -N = No Attachment -R = Wire Rope, PVC Jacket -S = SST Sash Chain -T = SST Wire Rope, No Jacket -U = SST Wire Rope, Polyurethane Jacket "SST" = Stainless Steel
Shell Size	5, 6, 7, 8, 9, 10, 12, 14, 15, 21
Attachment Code (See Table II)	Small Ring = 01 thru 06 Solid Ring = 14 thru 33
Attachment Length (inches)	Omit for attachment Type N (No Attachment) Example "-6" equals six inch length

Table I: Cover Style	
667-241 High Pressure Plug Cover	667-242 High Pressure Receptacle Cover

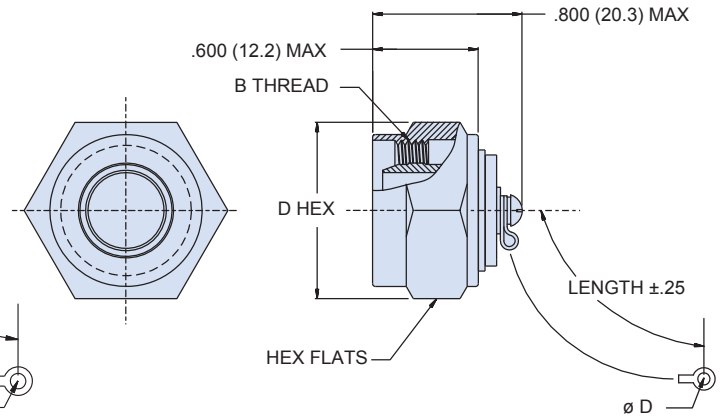
Table II: Attachment Code	
Omit for attachment Type N (No Attachment)	
 Small Ring	01 – .125 (3.2) I.D. 02 – .140 (3.6) I.D. 04 – .182 (4.6) I.D. 06 – .197 (5.0) I.D.
 Solid Ring	14 – .385 (9.8) I.D. 15 – .445 (11.3) I.D. 16 – .570 (14.5) I.D. 17 – .635 (16.1) I.D. 18 – .695 (17.7) I.D. 19 – .885 (22.5) I.D. 20 – 1.070 (27.2) I.D. 21 – 1.135 (28.8) I.D. 22 – 1.210 (30.7) I.D. 23 – 1.275 (32.4) I.D. 24 – 1.530 (38.9) I.D. 26 – .510 (13.0) I.D. 27 – .766 (19.5) I.D. 28 – 1.015 (25.8) I.D. 29 – .315 (8.0) I.D. 30 – 1.380 (35.1) I.D. 31 – .820 (20.8) I.D. 32 – .265 (6.7) I.D. 33 – .510 (13.0) I.D.

Dimensions in Inches (millimeters) are subject to change without notice.

Series 802 AquaMouse™ Submersible 3500 PSI Protective Cover 667-241 and 667-242 Dimensions



667-241 High-Pressure Plug Cover



667-242 High-Pressure Receptacle Cover

667-241 (Plug Cover) Dimensions

Attachment Code	Shell Size	A Thread	C Hex.	
			In.	mm.
32	5	.4375-28 UNEF-2A	.500	12.70
14	6	.5625-20 UN-2A	.625	15.88
33	7	.6250-20 UN-2A	.688	17.48
16	8	.6875-20 UN-2A	.750	19.05
17	9	.7500-20 UNEF-2A	.812	20.62
17	10	.8125-20 UNEF-2A	.875	22.23
18	12	.8750-20 UNEF-2A	.938	23.83
19	14	1.0625-20 UN-2A	1.125	28.58
26	15	1.1250-20 UN-2A	1.188	30.18
23	21	1.4375-20 UN-2A	1.562	39.67

667-242 (Receptacle Cover) Dimensions

Attachment Code	Shell Size	B Thread	D Hex	
			In.	mm.
33	5	.4375-28 UNEF-2B	.500	12.70
17	6	.5625-20 UN-2B	.625	15.88
18	7	.6250-20 UN-2B	.688	17.48
27	8	.6875-20 UN-2B	.750	19.05
31	9	.7500-20 UNEF-2B	.812	20.62
19	10	.8125-20 UNEF-2B	.875	22.23
26	12	.8750-20 UNEF-2B	.938	23.83
21	14	1.0625-20 UN-2B	1.125	28.58
22	15	1.1250-20 UN-2B	1.188	30.2
24	21	1.4375-20 UN-2B	1.562	39.7

Table V: Lanyard Options

	-65° to +100°C., black, very flexible, very good abrasion resistance, good resistance to fuels, .120" (3mm) diameter
	Black polyurethane over stainless steel rope, -65° to +125°C., very flexible, excellent abrasion resistance, excellent resistance to fuels, .080" (2mm) diameter
	Translucent FEP jacket over stainless steel rope, -65° to +200°C., fair flexibility, good abrasion resistance, .100" diameter
	Stainless steel, #8 chain, .240" (6mm)

NOTES

Materials and Finishes

- Plug Cover: 316 Stainless Steel
- Receptacle Cover: Nickel-Aluminum-Bronze.
- Receptacle Shell: 316 Stainless Steel
- Plug O-Ring: Viton
- Receptacle Gasket: Fluorosilicone

Dimensions in Inches (millimeters) are subject to change without notice.





Series 803 Mighty Mouse 1/4 Turn Bayonet Coupling Protective Cover 660-082 and 660-083 Ordering Information

Protect Connectors From Damage
Machined aluminum covers prevent ingress of contamination and water.

Stainless Steel Fittings and Rings
Choose small diameter eye fittings for panel attachment. Larger rings fit under the jam nut or over cable jackets. Split rings can be installed on fully assembled cables.

Polyurethane-Coated SST Wire Rope
offers high strength, excellent abrasion resistance and good flexibility. Or, choose Fluoropolymer jacket for high temperature exposure.

Braided Nylon Rope
provides excellent flexibility and good abrasion resistance, and can be ordered with slip knot fittings for easy installation on any size cable.



X

How To Order						
Sample Part Number	660-082	-M	S	12	04	-6
Series (See Table I)	660-082 = Plug Cover 660-083 = Receptacle Cover					
Shell Material / Finish	C = Aluminum / Black Anodize (Non-Conductive) RoHS Compliant M = Aluminum / Electroless Nickel RoHS Compliant NF = Aluminum / Cadmium with Olive Drab Chromate ZN = Aluminum / Zinc-Nickel with Olive Drab Chromate UCR = Aluminum / Zinc-Cobalt with Black Chromate RoHS Compliant ZNU = Aluminum / Zinc-Nickel with Black Chromate MT = Aluminum / Nickel-PTFE RoHS Compliant Z1 = Stainless Steel / Passivated RoHS Compliant					
Attachment Type	D = Bead Chain, CRES, Passivate F = Wire Rope, Nylon Jacket G = Nylon Rope H = SST Wire Rope, Fluoropolymer Jacket N = No Attachment R = Wire Rope, PVC Jacket S = SST Sash Chain SK = Nylon Rope With Slip Knot T = SST Wire Rope, No Jacket U = SST Wire Rope, Polyurethane Jacket "SST" = Stainless Steel					
Shell Size	5, 6, 7, 8, 9, 10, 12, 14, 15					
Attachment Code (See Table II)	Small Ring = 01 thru 06 Large Ring = 14 thru 33 Split Ring = 50 thru 68					
Attachment Length (inches)	Omit for attachment Type N (No Attachment) Example "-6" equals six inch length					

Table I: Cover Style	
660-082 Bayonet Plug Cover	660-083 Bayonet Receptacle Cover

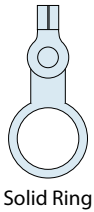
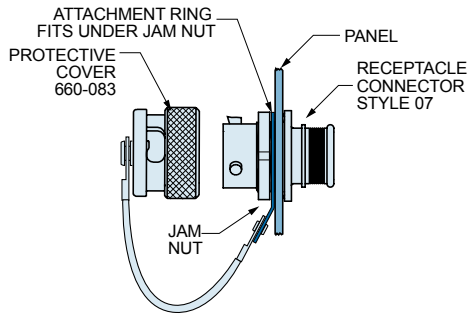
Table II: Attachment Code	
Omit for attachment types N (No Attachment) and SK (Slip Knot)	
	01 - .126 (3.20) I.D. 02 - .145 (3.68) I.D. 04 - .188 (4.78) I.D. 06 - .197 (5.00) I.D.
	14 - .385 (9.8) 15 - .445 (11.3) 16 - .570 (14.5) 17 - .635 (16.1) 18 - .695 (17.7) 19 - .885 (22.5) 20 - 1.070 (27.2) 21 - 1.135 (28.8) 22 - 1.210 (30.7) 23 - 1.275 (32.4) 25 - 1.530 (38.9) 26 - .950 (24.1) 27 - .766 (19.5) 28 - 1.015 (25.8) 29 - .315 (8.0) 30 - 1.380 (35.1) 31 - .820 (20.8) 32 - .265 (6.7) 33 - .510 (13.0)
	50 - .420 (10.67) I.D. 52 - .480 (12.19) I.D. 54 - .635 (16.13) I.D. 56 - .745 (18.92) I.D. 58 - .885 (22.48) I.D. 60 - 1.010 (25.65) I.D. 64 - 1.125 (28.58) I.D. 68 - 1.345 (34.16) I.D.

Dimensions in Inches (millimeters) are subject to change without notice.

Series 803 Mighty Mouse 1/4 Turn Bayonet Coupling Protective Cover 660-082 and 660-083 Dimensions



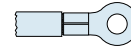
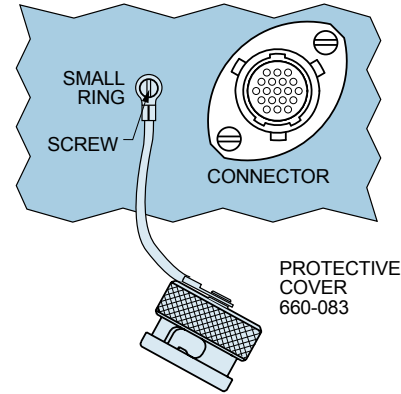
660-083 Cover Attachment to RPM Jam Nut Receptacle



Solid Ring

Atch. Code	Shell Size	Ring I.D.		Ring O.D.	
		In.	mm.	In.	mm.
		± .010	±0.25	± .015	± 0.38
14	5	.385	9.78	.51	12.95
15	6	.445	11.30	.57	14.48
16	7	.570	14.48	.69	17.53
17	8, 9	.635	16.13	.76	19.30
27	10	.766	19.46	.89	22.61
19	12	.885	22.48	1.01	25.65
20	14	1.070	27.18	1.20	30.48
21	15	1.135	28.83	1.25	31.75

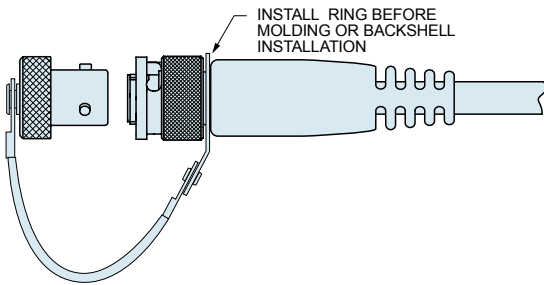
660-083 Cover Attachment to Panel



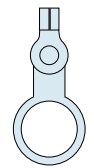
Small Ring for Attaching Receptacle Covers to a Panel with a Screw

Atch. Code	Screw Size	Ring I.D.		Ring O.D.	
		In.	mm.	In.	mm.
		±.005	±0.13	Max.	Max.
01	#4, M3	.126	3.20	.31	7.9
02	#6	.145	3.68	.31	7.9
04	#8, M4	.188	4.78	.31	7.9
06	#10	.197	5.00	.31	7.9

660-082 & 083 Cover Attachment to Cable Assembly



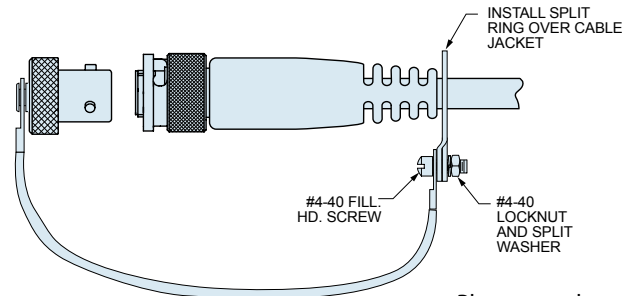
Plug cover shown



Solid Ring

Atch. Code	Shell Size	Ring I.D.		Ring O.D.	
		In.	mm.	In.	mm.
		± .010	±0.25	± .015	± 0.38
29	5	.315	8.00	.44	11.18
14	6	.315	8.00	.44	11.18
33	7, 8	.510	12.95	.62	15.75
16	9	.570	14.48	.69	17.53
17	10	.635	16.13	.76	19.30
18	12	.695	17.65	.82	20.83
26	14, 15	.950	24.13	1.14	28.96

660-082 & 083 Cover Attachment to Cable



Plug cover shown



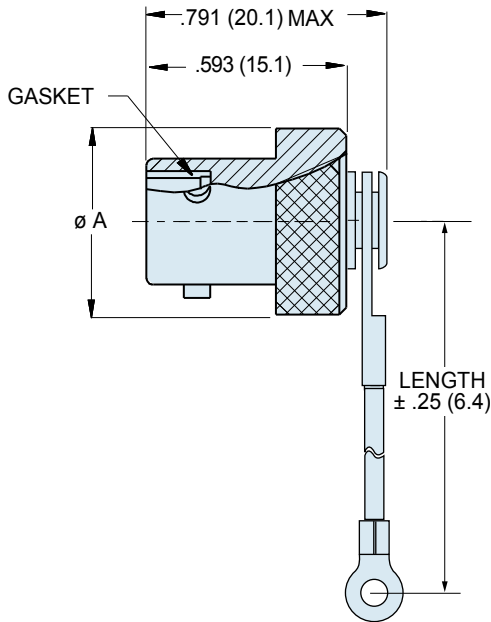
Large Split Ring for Attaching Covers to Cables

Atch. Code	Max. Cable Dia. (in.)	Ring Diameter			
		Min. ID		Max. OD	
		In.	mm.	In.	mm.
50	.410	.420	10.67	.580	14.73
52	.470	.480	12.19	.640	16.26
54	.625	.635	16.13	.796	20.22
56	.735	.745	18.92	.905	22.99
58	.875	.885	22.48	1.046	26.57
60	1.000	1.010	25.65	1.171	29.74
64	1.115	1.125	28.58	1.285	32.64
68	1.335	1.345	34.16	1.505	38.23

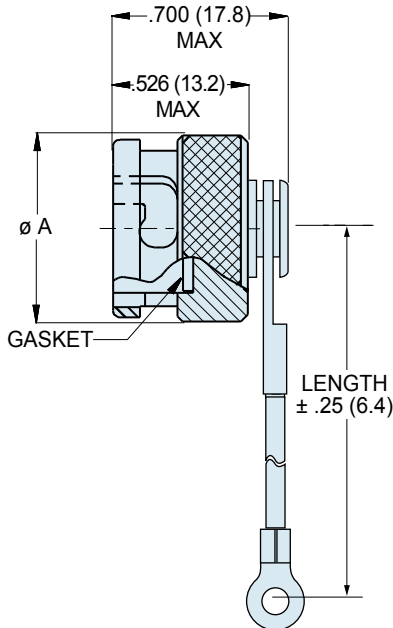
Dimensions in Inches (millimeters) are subject to change without notice.



Series 803 Mighty Mouse 1/4 Turn Bayonet Coupling Protective Cover 660-082 and 660-083 Dimensions



Plug Cover
660-082



Receptacle Cover
660-083

Dimensions		
Shell Size	Ø A Max.	
	In.	mm.
5	.620	15.7
6	.620	15.7
7	.620	15.7
8	.690	17.5
9	.760	19.3
10	.850	21.6
12	.940	23.8
14	1.170	29.7
15	1.170	29.7

Lanyard Options

Nylon Rope (G)	-65° to +100°C., black, very flexible, very good abrasion resistance, good resistance to fuels, .120" (3mm) diameter
Polyurethane Coated Wire Rope (U)	Black polyurethane over stainless steel rope, -65° to +125°C., very flexible, excellent abrasion resistance, excellent resistance to fuels, .080" (2mm) diameter
Fluoropolymer Jacketed Wire Rope (H)	Translucent FEP jacket over stainless steel, -65° to +200°C., fair flexibility, good abrasion resistance, .100" diameter
Sash Chain (S)	Stainless steel, #8 chain, .240" (6mm)
Slip Knot (SK) for Attaching Covers to Cable	65° to +100°C., black, very flexible, very good abrasion resistance, good resistance to fuels, .120" (3mm) diameter. Length includes .5" (13mm) diameter loop.

NOTES

Materials and Finishes

- Cover: aluminum alloy or stainless steel
- Gasket: fluorosilicone rubber
- Wire, hardware: stainless steel, passivated

Dimensions in Inches (millimeters) are subject to change without notice.

Series 804 Push-Pull Mighty Mouse Protective Receptacle Cover 667-202 Ordering Information



Protect Connectors From Damage

Machined aluminum covers prevent ingress of contamination and water.

Stainless Steel Fittings and Rings

Choose small diameter eye fittings for panel attachment. Larger rings fit under the jam nut or over cable jackets. Split rings can be installed on fully assembled cables.

Polyurethane-Coated SST Wire Rope

offers high strength, excellent abrasion resistance and good flexibility. Or, choose Fluoropolymer jacket for high temperature exposure.

Braided Nylon Rope

provides excellent flexibility and good abrasion resistance, and can be ordered with slip knot fittings for easy installation on any size cable.

How To Order	
Sample Part Number	667-202 M 9 H 6 -14 R
Series (See Table I)	667-202 = Receptacle Cover
Shell Material / Finish	C = Aluminum / Black Anodize (Non-Conductive) RoHS Compliant M = Aluminum / Electroless Nickel RoHS Compliant NF = Aluminum / Cadmium with Olive Drab Chromate ZN = Aluminum / Zinc-Nickel with Olive Drab Chromate ZNU = Aluminum / Zinc-Nickel with Black Chromate MT = Aluminum / Nickel-PTFE RoHS Compliant Z1 = Stainless Steel / Passivated RoHS Compliant
Shell Size	5, 6, 7, 8, 9, 10, 11, 12, 14,
Attachment Type	D = Bead Chain, CRES, Passivate F = Wire Rope, Nylon Jacket G = Nylon Rope H = SST Wire Rope, Fluoropolymer Jacket N = No Attachment R = Wire Rope, PVC Jacket S = SST Sash Chain SK = Nylon Rope With Slip Knot T = SST Wire Rope, No Jacket U = SST Wire Rope, Polyurethane Jacket "SST" = Stainless Steel
Attachment Length (inches)	Omit for attachment Type N (No Attachment) Example: "-6" equals six inch length
Attachment Code (See Table II)	Small Ring = 01 thru 06 Large Ring = 14 thru 33 Split Ring = 50 thru 68
Pull Ring Option	R = Supplied with Pull Ring (Omit for none)

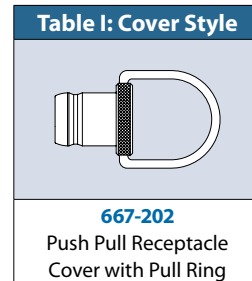


Table II: Attachment Code

Omit for attachment types **N** (No Attachment) and **SK** (Slip Knot)

 Small Ring	-01 - .126 (3.20) I.D.
	-02 - .145 (3.68) I.D.
	-04 - .188 (4.78) I.D.
	-06 - .197 (5.00) I.D.
 Large Ring	-15 - .445 (11.3) I.D.
	-33 - .510 (13.0) I.D.
	-17 - .635 (16.1) I.D.
	-18 - .695 (17.7) I.D.
	-27 - .766 (19.4) I.D.
	-31 - .820 (20.) I.D.
	-19 - .885 (22.5) I.D.
 Split Ring	-28 - 1.015 (25.8) I.D.
	-20 - 1.135 (28.8) I.D.
	-50 - .420 (10.67) I.D.
	-52 - .480 (12.19) I.D.
	-54 - .635 (16.13) I.D.
	-56 - .745 (18.92) I.D.
-58 - .885 (22.48) I.D.	
-60 - 1.010 (25.65) I.D.	
-64 - 1.125 (28.58) I.D.	
-68 - 1.345 (34.16) I.D.	

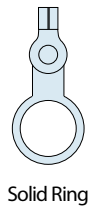
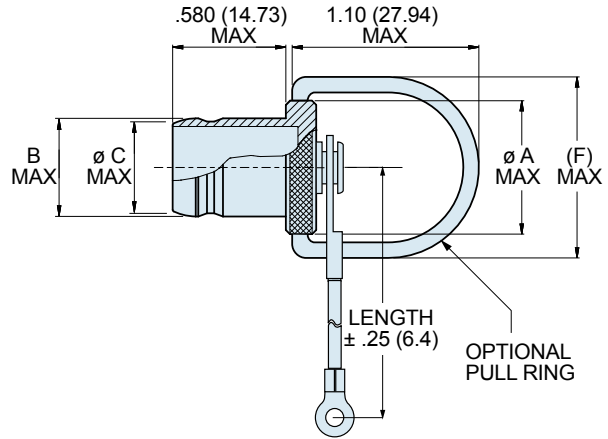
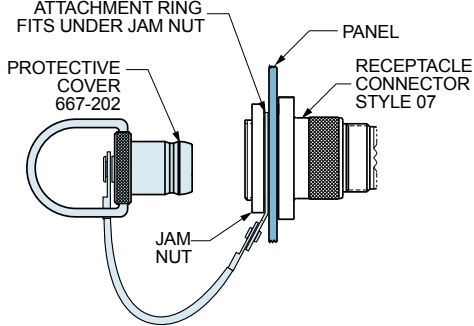
Dimensions in Inches (millimeters) are subject to change without notice.



Series 804 Push-Pull Mighty Mouse Protective Receptacle Cover

667-202 Dimensions

667-202 Cover Attachment to RPM Jam Nut Receptacle

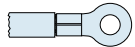
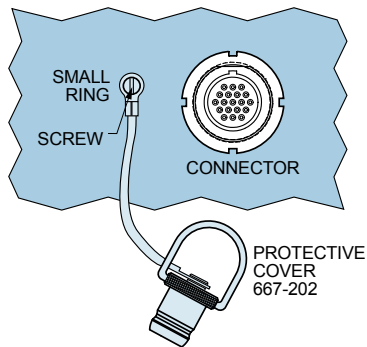


Solid Ring

Dia. Code	Shell Size	Ring I.D.		Ring O.D.	
		In.	mm.	In.	mm.
		± .010	±0.25	± .015	± 0.38
15	5	.445	11.30	.57	14.48
33	6	.510	12.95	.62	15.75
17	7, 8	.635	16.13	.76	19.30
18	9	.695	17.65	.82	20.83
27	10	.766	19.46	.89	22.61
31	11	.820	20.83	1.00	25.40
19	12	.885	22.48	1.01	25.65
28	14	1.015	25.78	1.20	30.48
20	15	1.070	27.18	1.20	30.48

Dimensions									
Shell Size	Ø A Max.	Ø B	Ø C	F Max	Shell Size	Ø A Max.	Ø B	Ø C	F Max
5	.490 (12.45)	.234 (5.94)	.203 (5.16)	.74 (18.80)	10	.773 (19.63)	.548 (13.92)	.513 (13.03)	1.03 (26.16)
6	.490 (12.45)	.297 (7.54)	.266 (6.76)	.74 (18.80)	11	.805 (20.45)	.600 (15.24)	.569 (14.45)	1.06 (26.92)
7	.570 (14.48)	.367 (9.32)	.335 (8.51)	.82 (20.83)	12	.860 (21.84)	.658 (16.71)	.627 (15.93)	1.11 (28.19)
8	.614 (15.60)	.414 (10.52)	.383 (9.73)	.87 (22.10)	14	.980 (24.89)	.781 (19.84)	.749 (19.02)	1.23 (31.24)
9	.680 (17.27)	.467 (11.86)	.435 (11.05)	.92 (23.37)	15	1.045 (26.54)	.843 (21.41)	.811 (20.60)	1.30 (33.02)

667-202 Cover Attachment to Panel



Small Ring for Attaching Receptacle Covers to a Panel with a Screw

Dia. Code	Screw Size	Ring I.D.		Ring O.D.	
		In.	mm.	In.	mm.
		±.005	±0.13	Max.	Max.
01	#4, M3	.126	3.20	.31	7.9
02	#6	.145	3.68	.31	7.9
04	#8, M4	.188	4.78	.31	7.9
06	#10	.197	5.00	.31	7.9

Lanyard Options



Nylon Rope

-65° to +100°C., black, very flexible, very good abrasion resistance, good resistance to fuels, .120" (3mm) diameter



Polyurethane Coated Wire Rope

Black polyurethane over stainless steel rope, -65° to +125°C., very flexible, excellent abrasion resistance, excellent resistance to fuels, .080" (2mm) diameter



Fluoropolymer[®] Jacketed Wire Rope

Translucent FEP jacket over stainless steel, -65° to +200°C., fair flexibility, good abrasion resistance, .100" diameter



Sash Chain

Stainless steel, #8 chain, .240" (6mm)



Slip Knot (SK) for Attaching Covers to Cable

65° to +100°C., black, very flexible, very good abrasion resistance, good resistance to fuels, .120" (3mm) diameter. Length includes .5" (13mm) diameter loop.

Dimensions in Inches (millimeters) are subject to change without notice.

Series 804 Push-Pull Mighty Mouse Protective Plug Cover

809-198 Ordering Information



Protect Connectors From Damage
Machined aluminum covers prevent ingress of contamination and water.

Stainless Steel Fittings and Rings
Choose small diameter eye fittings for panel attachment. Larger rings fit under the jam nut or over cable jackets. Split rings can be installed on fully assembled cables.

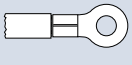
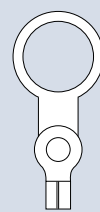
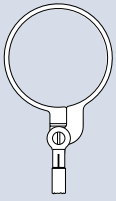
Polyurethane-Coated SST Wire Rope offers high strength, excellent abrasion resistance and good flexibility. Or, choose Teflon® jacket for high temperature exposure.

Braided Nylon Rope provides excellent flexibility and good abrasion resistance, and can be ordered with slip knot fittings for easy installation on any size cable.

How To Order	
Sample Part Number	809-198 M 9 H 6 -14 A
Series (See Table I)	809-198 = Plug Cover
Shell Material / Finish	<p>C = Aluminum / Black Anodize (Non-Conductive) RoHS Compliant</p> <p>M = Aluminum / Electroless Nickel RoHS Compliant</p> <p>NF = Aluminum / Cadmium with Olive Drab Chromate</p> <p>ZN = Aluminum / Zinc-Nickel with Olive Drab Chromate</p> <p>ZNU = Aluminum / Zinc-Nickel with Black Chromate</p> <p>MT = Aluminum / Nickel-PTFE RoHS Compliant</p> <p>Z1 = Stainless Steel / Passivated RoHS Compliant</p>
Shell Size	5, 6, 7, 8, 9, 10, 11, 12, 14, 15
Attachment Type	<p>D = Bead Chain, CRES, Passivate</p> <p>F = Wire Rope, Nylon Jacket</p> <p>G = Nylon Rope</p> <p>H = SST Wire Rope, Fluoropolymer Jacket</p> <p>N = No Attachment</p> <p>R = Wire Rope, PVC Jacket</p> <p>S = SST Sash Chain</p> <p>SK = Nylon Rope With Slip Knot</p> <p>T = SST Wire Rope, No Jacket</p> <p>U = SST Wire Rope, Polyurethane Jacket</p> <p>"SST" = Stainless Steel</p>
Attachment Length (inches)	Omit for attachment Type N (No Attachment) Example: "-6" equals six inch length
Attachment Code (See Table II)	<p>Small Ring = 01 thru 06</p> <p>Large Ring = 14 thru 33</p> <p>Split Ring = 50 thru 68</p>
Alternate Key Position	Omit for master keyway only, for all other positions indicate A, B, C, D, E, or F

Table I: Cover Style

809-198 Push-Pull Plug Cover

Table II: Attachment Code	
Omit for attachment Type N (No Attachment) and SK (Slip Knot)	
 Small Ring	<p>-01 - .126 (3.20) I.D.</p> <p>-02 - .145 (3.68) I.D.</p> <p>-04 - .188 (4.78) I.D.</p> <p>-06 - .197 (5.00) I.D.</p>
 Solid Ring	<p>-32 - .265 (6.73)</p> <p>-29 - .315 (8.00)</p> <p>-14 - .385 (9.78)</p> <p>-33 - .510 (12.95)</p> <p>-15 - .445 (11.30)</p> <p>-16 - .570 (14.48)</p> <p>-17 - .635 (16.13)</p> <p>-18 - .695 (17.65)</p> <p>-27 - .766 (19.46)</p> <p>-26 - .950 (24.13)</p> <p>-31 - .820 (20.83)</p> <p>-28 - 1.015 (25.78)</p> <p>-20 - 1.070 (27.18)</p> <p>-21 - 1.135 (28.83)</p>
 Split Ring	<p>-50 - .420 (10.67) I.D.</p> <p>-52 - .480 (12.19) I.D.</p> <p>-54 - .635 (16.13) I.D.</p> <p>-56 - .745 (18.92) I.D.</p> <p>-58 - .885 (22.48) I.D.</p> <p>-60 - 1.010 (25.65) I.D.</p> <p>-64 - 1.125 (28.58) I.D.</p> <p>-68 - 1.345 (34.16) I.D.</p>

Dimensions in Inches (millimeters) are subject to change without notice.

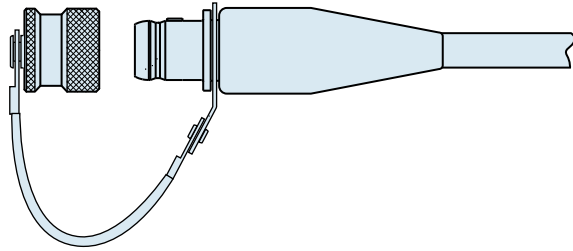


Series 804 Push-Pull Mighty Mouse Protective Plug Cover

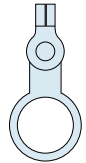
809-198 Dimensions

809-198 Cover Attachment to Cable Assembly

Install cover onto the back of the connector before overmolding or backshell installation.



Plug cover shown

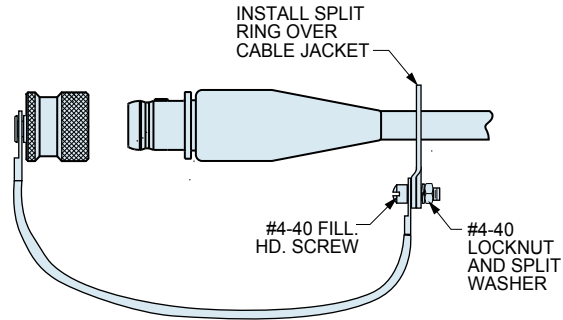


Solid Ring

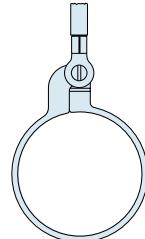
Dia. Code	Shell Size	Ring I.D.		Ring O.D.	
		In.	mm.	In.	mm.
		± .010	±0.25	± .015	± 0.38
29	5	.315	8.00	.44	11.18
14	6	.385	9.80	.51	13.00
33	7	.510	13.00	.62	15.70
16	9	.570	14.48	.69	17.53
17	10	.635	16.13	.76	19.30
27	11, 12	.766	19.50	.89	22.60
26	14, 15	.950	24.13	1.14	28.96

809-198 Cover Attachment to Cable

Split rings can be installed onto finished cables.

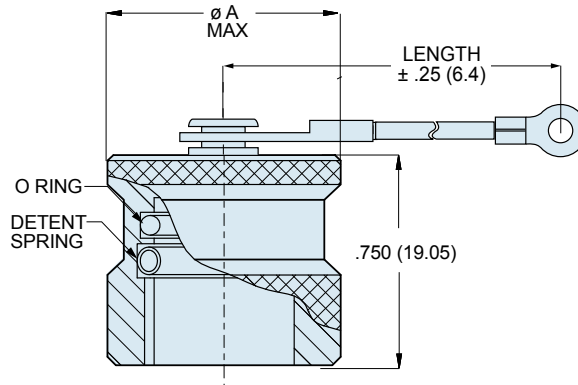


Plug cover shown



Large Split Ring for Attaching Covers to Cables

Dia. Code	Max. Cable Dia. (in.)	Ring Diameter			
		Min. ID		Max. OD	
		In.	mm.	In.	mm.
50	.410	.420	10.67	.580	14.73
52	.470	.480	12.19	.640	16.26
54	.625	.635	16.13	.796	20.22
56	.735	.745	18.92	.905	22.99
58	.875	.885	22.48	1.046	26.57
60	1.000	1.010	25.65	1.171	29.74
64	1.115	1.125	28.58	1.285	32.64
68	1.335	1.345	34.16	1.505	38.23



Dimensions					
Shell Size	Ø A Max.		Shell Size	Ø A Max.	
	In	mm		In	mm
5	.496	12.60	10	.790	20.07
6	.540	13.72	11	.835	21.21
7	.645	16.38	12	.915	23.24
8	.665	16.89	14	1.040	26.42
9	.720	18.29	15	1.100	27.94

Dimensions in Inches (millimeters) are subject to change without notice.

Series 804 Push-Pull Mighty Mouse Rubber Covers

809-083 and 809-087 Dimensions



809-083 Plug Cover



809-087 Receptacle Cover

Splash proof Molded Rubber Covers fit all Series 804 plugs and receptacles. Braided black nylon lanyard is available with metal rings, cable tie or slipknot for attachment to panel or to cable.

How To Order	
Sample Part Number	809-083 -05 G 6 -SK C
Series (See Table I)	809-083 = Plug Cover 809-087 = Receptacle Cover
Shell Size	-05, -06, -07, -08, -09, -10, -11, -12, -14, -15
Attachment Type	-G = Nylon Rope Omit = No Lanyard
Attachment Length (inches)	Length in Inches
Attachment Code (See Table II)	-WS = Nylon Cable Tie -SK = Slip Knot -SCS = Slip/Crimp Sleeve -00 = Lanyard with no Attachment Lug Terminal = -01 thru -06 Solid Ring = -14 thru -33
Conductive Rubber	Omit for Standard Neoprene C = Conductive Rubber


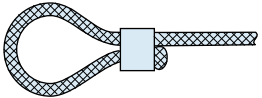

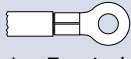
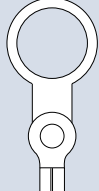
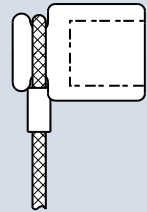
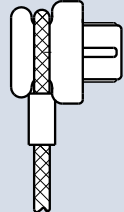
Table II: Attachment Code	
	-WS Nylon Cable Tie, 1.77 Inch (45mm) Maximum Wire Bundle Diameter
	-SK Slip Knot
	-00 Lanyard With No Attachment (Fused End)
Lug Terminals and Rings	
	-01 - .126 (3.20) I.D. -02 - .145 (3.68) I.D. -05 - .188 (4.78) I.D. -06 - .197 (5.00) I.D.
	-32 - .265 (6.73) I.D. -29 - .315 (8.00) I.D. -14 - .385 (9.78) I.D. -15 - .445 (11.30) I.D. -33 - .510 (12.95) I.D. -16 - .570 (14.48) I.D. -17 - .635 (16.13) I.D. -18 - .695 (17.65) I.D. -27 - .766 (19.46) I.D. -31 - .820 (20.83) I.D. -19 - .885 (22.48) I.D. -26 - .950 (24.13) I.D. -28 - 1.015 (25.75) I.D. -20 - 1.070 (27.18) I.D.

Table I: Series Style	
	
809-083 Push-Pull Receptacle Cover	809-087 Push-Pull Receptacle Cover

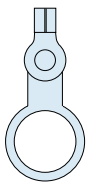
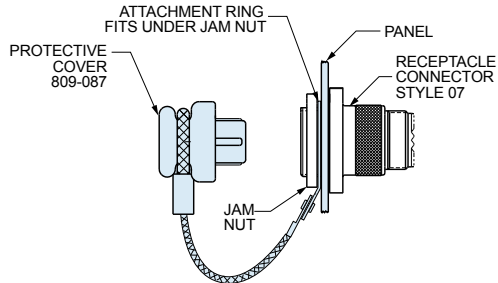
Dimensions in Inches (millimeters) are subject to change without notice.



Series 804 Push-Pull Mighty Mouse Rubber Covers

809-083 and 809-087 Dimensions

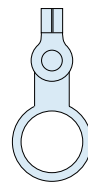
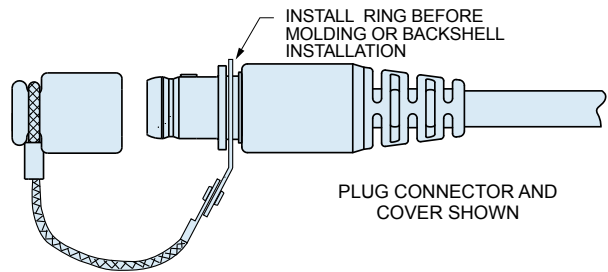
809-087 Cover Attachment to RPM Jam Nut Receptacle



Solid Ring

Attch. Code	Shell Size	Ring I.D.		Ring O.D.	
		in.	mm.	in.	mm.
		± .010	± .025	± .015	± 0.38
15	5	.445	11.30	.57	14.48
33	6	.510	12.95	.62	15.75
17	7,8	.635	16.13	.76	19.30
18	9	.695	17.65	.82	20.83
27	10	.766	19.46	.89	22.61
31	11	.820	20.83	.94	23.88
19	12	.885	22.48	1.01	25.65
28	14	1.015	25.78	1.20	30.48
20	15	1.070	27.18	1.20	30.48

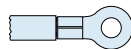
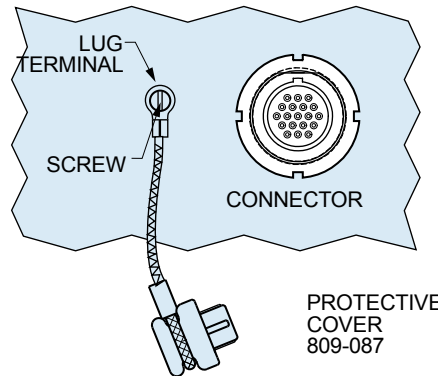
809-083 & -087 Cover Attachment to Cable Assembly



Solid Ring

Attch. Code	Shell Size	Ring I.D.		Ring O.D.	
		in.	mm.	in.	mm.
		± .010	±0.25	± .015	± 0.38
29	5	.315	8.00	.440	11.20
14	6	.385	9.80	.510	13.00
33	7	.510	13.00	.620	15.70
16	8,9	.570	14.48	.570	14.48
17	10	.635	16.13	.635	16.13
27	11,12	.766	19.50	.890	22.60
26	14, 15	.950	24.13	.950	24.13

809-087 Cover Attachment to Panel



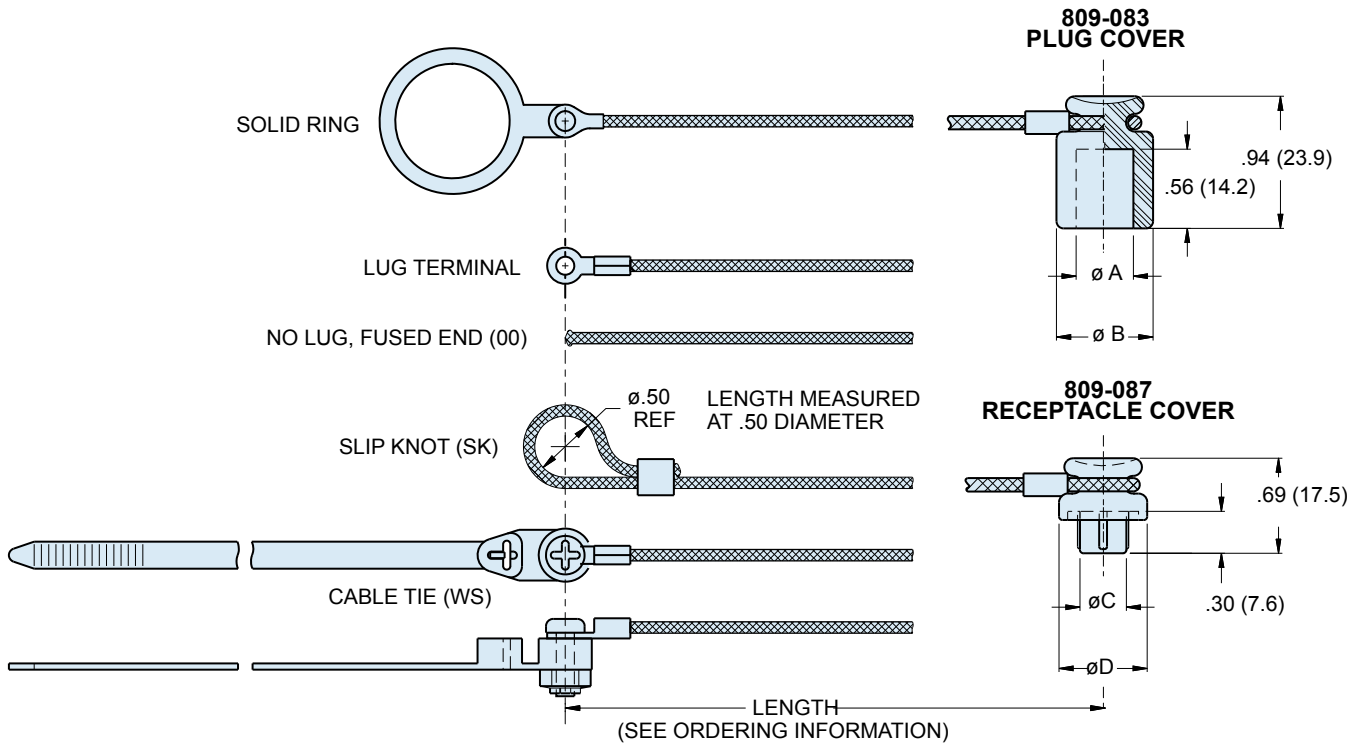
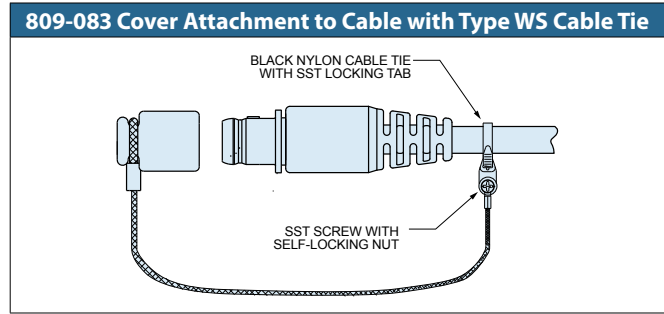
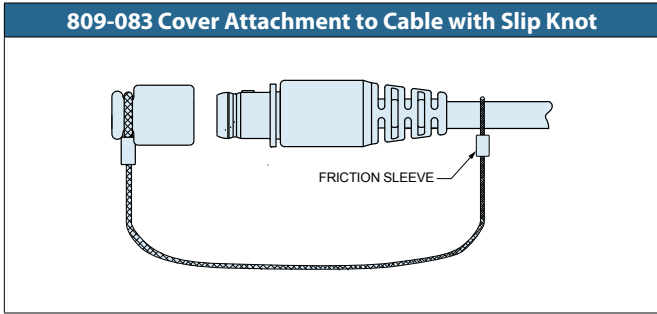
Lug Terminal for Attaching Receptacle Covers to a Panel with a Screw

Attch. Code	Shell Size	Ring I.D.		Ring O.D.	
		in.	mm.	In.	mm.
		±.005	±0.13	Max.	Max.
01	#4, M3	.126	3.20	.31	7.9
02	#6	.145	3.68	.31	7.9
05	#8, M4	.188	4.78	.31	7.9
06	#10	.197	5.00	.31	7.9

Dimensions in Inches (millimeters) are subject to change without notice.

Series 804 Push-Pull Mighty Mouse Rubber Covers

809-083 and 809-087 Dimensions



Shell Size	Dimensions							
	Ø A		Ø B		Ø C		Ø D	
	In	mm	In	mm	In	mm	In	mm
5	.23	5.8	.56	14.2	.27	6.9	.59	15.0
6	.29	7.4	.56	14.2	.33	8.4	.65	16.5
7	.36	9.1	.56	14.2	.40	10.2	.78	19.8
8	.41	10.4	.68	17.3	.44	11.2	.78	19.8
9	.46	11.7	.68	17.3	.50	12.7	.84	21.3
10	.54	13.7	.79	20.1	.57	14.5	.90	22.9
11	.61	15.5	.94	23.9	.63	16.0	.96	24.4
12	.66	16.8	.94	23.9	.69	17.5	1.03	26.2
14	.78	19.8	1.11	28.2	.82	20.8	1.15	29.2
15	.84	21.3	1.11	28.2	.87	22.1	1.21	30.7

NOTES

Materials and Finishes

1. Cover: Neoprene rubber blend, black
2. Lanyard: .062" (1.57) diameter nylon cord, black
3. Cable Tie: 6/6 nylon, black, SST locking tab
4. Ring: Stainless steel, black zinc-cobalt finish

Dimensions in Inches (millimeters) are subject to change without notice.

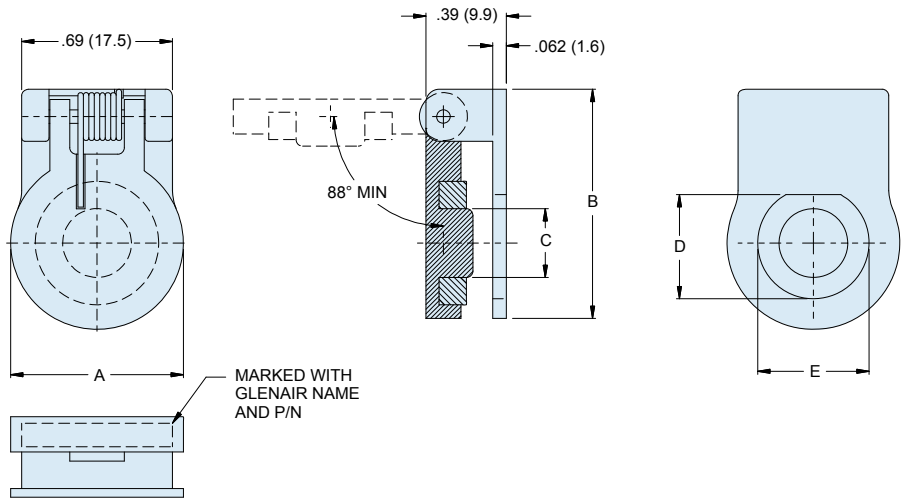
Spring-Loaded Cover for Series 804 Jam Nut Receptacles

"Flop lid" snaps shut when cable is disconnected. Silicone gasket provides watertight seal when closed. Fits standard Series 804 rear-mount jam nut receptacles. For .057/.067 inch (1.45/1.70 mm) panel thickness. Aluminum alloy or stainless steel.



X

Shell Size	Part Number				
	Aluminum				Stainless Steel
	Electroless Nickel	Cadmium/Olive Drab	Nickel-PTFE	Black Zinc-Nickel	Passivated
5	667-282M05	667-282NF05	667-282MT05	667-282ZNU05	667-282Z105
6	667-282M06	667-282NF06	667-282MT06	667-282ZNU06	667-282Z106
7	667-282M07	667-282NF07	667-282MT07	667-282ZNU07	667-282Z107
8	667-282M08	667-282NF08	667-282MT08	667-282ZNU08	667-282Z108
9	667-282M09	667-282NF09	667-282MT09	667-282ZNU09	667-282Z109
10	667-282M10	667-282NF10	667-282MT10	667-282ZNU10	667-282Z110
11	667-282M11	667-282NF11	667-282MT11	667-282ZNU11	667-282Z111
12	667-282M12	667-282NF12	667-282MT12	667-282ZNU12	667-282Z112
14	667-282M14	667-282NF14	667-282MT14	667-282ZNU14	667-282Z114
15	667-282M15	667-282NF15	667-282MT15	667-282ZNU15	667-282Z115



Shell Size	Dimensions									
	A		B		C		D Flat		E Dia	
	In.	mm.	In.	mm.	In.	mm.	In.	mm.	In.	mm.
5	.63	16.0	.93	23.6	.251	6.4	.427/.423	10.8/10.74	.443	11.3
6	.69	17.5	.99	25.1	.315	8.0	.479/.475	12.2/12.07	.505	12.8
7	.82	20.8	1.11	28.2	.383	9.7	.606/.601	15.4/15.27	.630	16.0
8	.82	20.8	1.11	28.2	.429	10.9	.606/.601	15.4/15.27	.630	16.0
9	.88	22.4	1.18	30.0	.485	12.3	.667/.663	16.9/16.84	.693	17.6
10	.94	23.9	1.24	31.5	.560	14.2	.734/.729	18.6/18.52	.755	19.2
11	1.00	25.4	1.30	33.02	.619	15.7	.801/.796	20.3/20.22	.820	20.8
12	1.07	27.2	1.36	34.5	.678	17.2	.855/.851	21.7/21.62	.880	22.4
14	1.19	30.2	1.49	37.8	.801	20.3	.98/.976	24.9/24.79	1.005	25.5
15	1.25	31.75	1.55	39.37	.860	21.8	1.041/1.037	26.4/26.34	1.067	27.1

Dimensions in Inches (millimeters) are subject to change without notice.

NOTES

Materials and Finishes

1. Cover, Housing: Aluminum Alloy or Stainless Steel
2. Gasket: Sponge Silicone Rubber
3. Sleeve: Delrin
4. Spring, Shaft: Stainless Steel

Series 805 Mighty Mouse Triple-Start Protective Cover

667-261 and 667-262 Ordering Information



Plug Cover

Protect Connectors From Damage
Machined aluminum or stainless steel protective covers have fluorosilicone gasket for a watertight fit.



Receptacle Cover

Stainless Steel Fittings and Rings
Choose small diameter eye fittings for panel attachment. Larger rings fit under the jam nut or over cable jackets. Split rings can be installed on fully assembled cables.

Polyurethane-Coated SST Wire Rope
provide resistance and good flexibility. Or, choose a Fluoropolymer jacket for high temperature exposure.

Braided Nylon Rope provides excellent flexibility and good abrasion resistance, and can be ordered with slip knot fittings for easy installation on any size cable.

How To Order	
Sample Part Number	667-262 -M -G 9 04 -6
Series (See Table I)	667-261 = Plug Cover 667-262 = Receptacle Cover
Shell Material / Finish	C = Aluminum / Black Anodize (Non-Conductive) RoHS Compliant M = Aluminum / Electroless Nickel RoHS Compliant NF = Aluminum / Cadmium with Olive Drab Chromate ZNU = Aluminum / Zinc-Nickel with Black Chromate MT = Aluminum / Nickel-PTFE RoHS Compliant Z1 = Stainless Steel / Passivated RoHS Compliant
Attachment Type	D = Bead Chain, CRES, Passivate F = Wire Rope, Nylon Jacket G = Nylon Rope H = SST Wire Rope, Fluoropolymer Jacket N = No Attachment R = Wire Rope, PVC Jacket S = SST Sash Chain SK = Nylon Rope With Slip Knot T = SST Wire Rope, No Jacket U = SST Wire Rope, Polyurethane Jacket "SST" = Stainless Steel
Shell Size	8, 9, 10, 11, 12, 13, 15, 18, 19, 21, 23
Attachment Code (See Table II)	Small Ring = 01 thru 06 Large Ring = 14 thru 33 Split Ring = 50 thru 68
Attachment Length (inches)	Omit for attachment Type N (No Attachment) Example "-6" equals six inch length

Table I: Cover Style	
667-261 Plug Cover	667-262 Receptacle Cover

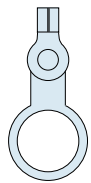
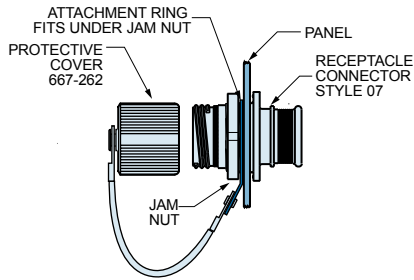
Table II: Attachment Code	
Omit for attachment types N (No Attachment) and SK (Slip Knot)	
	01 - .126 (3.20) I.D. 02 - .145 (3.68) I.D. 04 - .188 (4.78) I.D. 06 - .197 (5.00) I.D.
	14 - .385 (9.78) I.D. 15 - .445 (11.30) I.D. 16 - .570 (14.48) I.D. 17 - .635 (16.13) I.D. 18 - .695 (17.65) I.D. 19 - .885 (22.48) I.D. 20 - 1.070 (27.17) I.D. 22 - 1.210 (30.73) I.D. 23 - 1.275 (32.39) I.D. 25 - 1.530 (38.86) I.D. 26 - .950 (24.13) I.D. 27 - .766 (19.46) I.D. 28 - 1.015 (25.78) I.D. 29 - .315 (8.0) I.D. 30 - 1.380 (35.05) I.D. 31 - .820 (20.83) I.D. 32 - .265 (6.7) I.D. 33 - .510 (12.95) I.D.
	50 - .420 (10.67) I.D. 52 - .480 (12.19) I.D. 54 - .635 (16.13) I.D. 56 - .745 (18.92) I.D. 58 - .885 (22.48) I.D. 60 - 1.010 (25.65) I.D. 64 - 1.125 (28.58) I.D. 68 - 1.345 (34.16) I.D.

Dimensions in Inches (millimeters) are subject to change without notice.

Series 805 Mighty Mouse Triple-Start Protective Cover

667-261 and 667-262 Dimensions

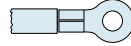
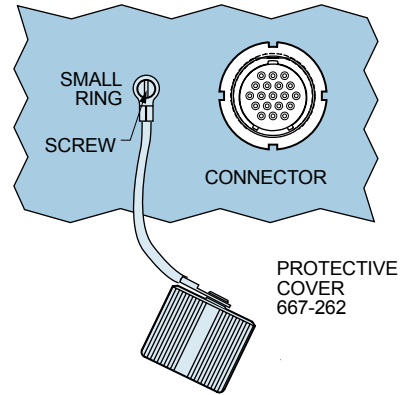
667-262 Cover Attachment to RPM Jam Nut Receptacle



Solid Ring

Atch. Code	Shell Size	Ring I.D.		Ring O.D.	
		In.	mm.	In.	mm.
		± .010	±0.25	± .015	± 0.38
16	8	.570	14.48	.69	17.53
18	9, 10	.695	17.65	.82	20.83
27	11	.766	19.46	.89	22.61
31	12	.820	20.83	1.00	25.40
19	13	.885	22.48	1.01	25.65
28	15	1.015	25.78	1.20	30.48
22	18	1.210	30.73	1.31	33.27
23	19	1.275	32.39	1.37	34.80
30	21	1.380	35.05	1.48	37.59
25	23	1.530	38.86	1.63	41.40

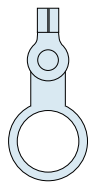
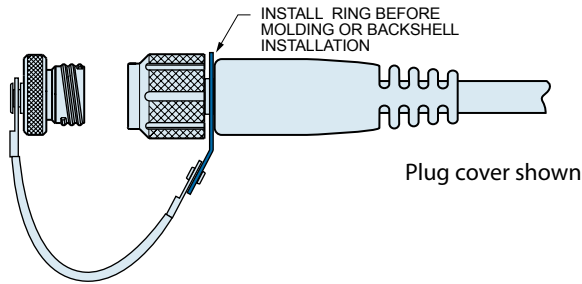
667-262 Cover Attachment to Panel



Small Ring for Attaching Receptacle Covers to a Panel with a Screw

Atch. Code	Screw Size	Ring I.D.		Ring O.D.	
		In.	mm.	In.	mm.
		±.005	±0.13	Max.	Max.
01	#4, M3	.126	3.20	.31	7.9
02	#6	.145	3.68	.31	7.9
04	#8, M4	.188	4.78	.31	7.9
06	#10	.197	5.00	.31	7.9

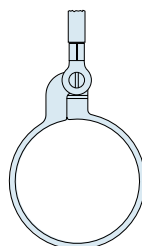
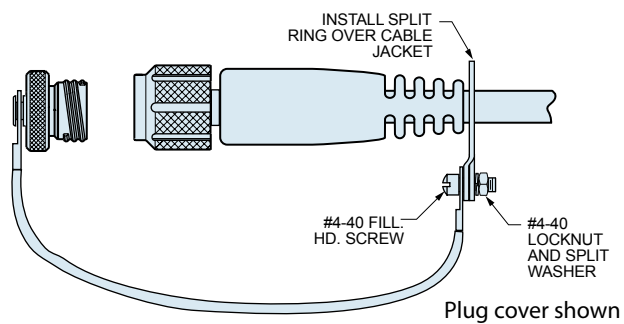
667-261 & -262 Cover Attachment to Cable Assembly



Solid Ring

Atch. Code	Shell Size	Ring I.D.		Ring O.D.	
		In.	mm.	In.	mm.
		± .010	±0.25	± .015	± 0.38
14	8	.385	9.78	.51	12.95
33	9	.510	12.95	.62	15.75
16	10, 11	.570	14.48	.69	17.53
17	12	.635	16.13	.76	19.30
27	13, 15	.766	19.46	.89	22.61
26	18, 19	.950	24.13	1.14	28.96
20	21	1.070	27.18	1.20	30.48
22	23	1.210	30.73	1.31	33.27

667-261 Cover Attachment to Cable



Large Split Ring for Attaching Covers to Cables

Atch. Code	Max. Cable Dia. (in.)	Ring Diameter			
		Min. ID		Max. OD	
		In.	mm.	In.	mm.
50	.410	.420	10.67	.580	14.73
52	.470	.480	12.19	.640	16.26
54	.625	.635	16.13	.796	20.22
56	.735	.745	18.92	.905	22.99
58	.875	.885	22.48	1.046	26.57
60	1.000	1.010	25.65	1.171	29.74
64	1.115	1.125	28.58	1.285	32.64
68	1.335	1.345	34.16	1.505	38.23

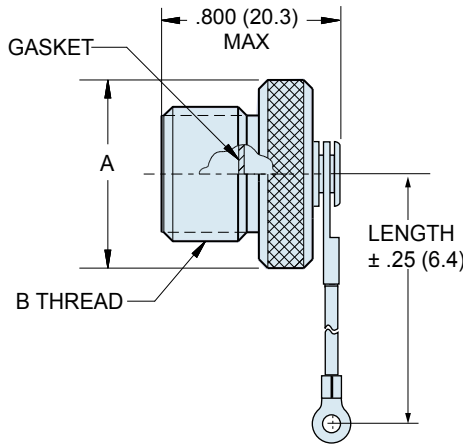
Dimensions in Inches (millimeters) are subject to change without notice.

Series 805 Mighty Mouse Triple-Start Protective Cover

667-261 and 667-262 Dimensions

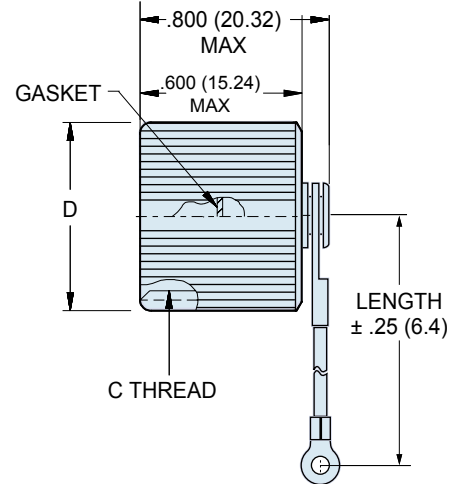


Shell Size	A ±.015 (.38)	
	In.	mm.
8	.653	16.59
9	.715	18.16
10	.778	19.76
11	.841	21.36
12	.903	22.94
13	.965	24.51
15	1.091	27.71
18	1.278	32.46
19	1.340	34.04
21	1.490	37.85
23	1.600	40.64



667-261 Plug Cover

Shell Size	D ±.015 (.38)	
	In.	mm.
8	.653	16.59
9	.715	18.16
10	.778	19.76
11	.850	21.59
12	.903	22.94
13	.965	24.51
15	1.091	27.71
18	1.278	32.46
19	1.340	34.04
21	1.490	37.85
23	1.600	40.64



667-262 Receptacle Cover

Dimensions		
Shell Size	B Thread	C Thread
8	.5000-.1P-.3L-TS-2A	.5000-.1P-.3L-TS-2B
9	.5625-.1P-.3L-TS-2A	.5625-.1P-.3L-TS-2B
10	.6250-.1P-.3L-TS-2A	.6250-.1P-.3L-TS-2B
11	.6875-.1P-.3L-TS-2A	.6875-.1P-.3L-TS-2B
12	.7500-.1P-.3L-TS-2A	.7500-.1P-.3L-TS-2B
13	.8125-.1P-.3L-TS-2A	.8125-.1P-.3L-TS-2B
15	.9375-.1P-.3L-TS-2A	.9375-.1P-.3L-TS-2B
18	1.1250-.1P-.3L-TS-2A	1.1250-.1P-.3L-TS-2B
19	1.1870-.1P-.3L-TS-2A	1.1870-.1P-.3L-TS-2B
21	1.3125-.1P-.3L-TS-2A	1.3125-.1P-.3L-TS-2B
23	1.4375-.1P-.3L-TS-2A	1.4375-.1P-.3L-TS-2B

NOTES

Materials and Finishes

1. Cover: Aluminum alloy or stainless steel
2. Gasket: Fluorosilicone rubber
3. Wire, Hardware: Stainless steel, passivated

Lanyard Options	
Nylon Rope	-65° to +100°C., black, very flexible, very good abrasion resistance, good resistance to fuels, .120" (3mm) diameter
Polyurethane Coated Wire Rope	Black polyurethane over stainless steel rope, -65° to +125°C., very flexible, excellent abrasion resistance, excellent resistance to fuels, .080" (2mm) diameter
Fluoropolymer Jacketed Wire Rope	Translucent FEP jacket over stainless steel, -65° to +200°C., fair flexibility, good abrasion resistance, .100" diameter
Sash Chain	Stainless steel, #8 chain, .240" (6mm)
Slip Knot (SK) for Attaching Covers to Cable	65° to +100°C., black, very flexible, very good abrasion resistance, good resistance to fuels, .120" (3mm) diameter. Length includes .5" (13mm) diameter loop.

Dimensions in Inches (millimeters) are subject to change without notice.





Series 805 Mighty Mouse Triple-Start Locking Ratchet Type Receptacle Cover

809-200 Ordering Information



Protect Connectors From Damage
Machined aluminum or stainless steel protective covers have fluorosilicone gasket for a watertight fit.

Stainless Steel Fittings and Rings
Choose small diameter eye fittings for panel attachment. Larger rings fit under the jam nut or over cable jackets. Split rings can be installed on fully assembled cables.

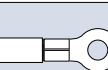
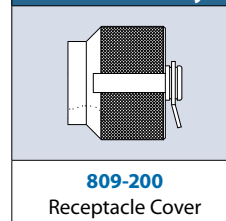
Polyurethane-Coated SST Wire Rope
provide resistance and good flexibility. Or, choose a Fluoropolymer jacket for high temperature exposure.

Braided Nylon Rope provides excellent flexibility and good abrasion resistance, and can be ordered with slip knot fittings for easy installation on any size cable.

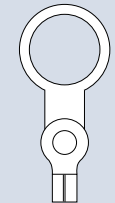
X

How To Order	
Sample Part Number	809-200 -M -S 12 04 -6
Series (See Table I)	809-200 = Receptacle Cover
Shell Material / Finish	<p>C = Aluminum / Black Anodize (Non-Conductive) RoHS Compliant</p> <p>M = Aluminum / Electroless Nickel RoHS Compliant</p> <p>NF = Aluminum / Cadmium with Olive Drab Chromate</p> <p>ZN = Aluminum / Zinc-Nickel with Olive Drab Chromate</p> <p>Z1 = Stainless Steel / Passivated RoHS Compliant</p> <p>ZB = Stainless Steel / Olive Drab Chromate over Cadmium</p> <p>ZC = Stainless Steel / Zinc Cobalt Alloy/ Black Chromate</p> <p>ZNU = Aluminum / Black over Electroless Nickel</p>
Attachment Type	<p>-G = Nylon Rope</p> <p>-H = SST Wire Rope, Fluoropolymer Jacket</p> <p>-N = No Attachment</p> <p>-S = SST Sash Chain</p> <p>-SK = Nylon Rope with Slip Knot</p> <p>-T = SST Wire Rope, No Jacket</p> <p>-U = SST Wire Rope, Polyurethane Jacket</p> <p>"SST" = Stainless Steel</p>
Shell Size (See Table III)	8, 9, 10, 11, 12, 13, 15, 18, 19, 21, 23
Attachment Code (See Table II)	<p>Small Ring = 01 thru 06</p> <p>Large Ring = 14 thru 33</p> <p>Split Ring = 50 thru 68</p>
Attachment Length (inches)	Omit for attachment Type N (No Attachment) Example "-6" equals six inch length

Table I: Cover Style



- 01** - .125 (3.2) I.D.
- 02** - .140 (3.6) I.D.
- 04** - .182 (4.6) I.D.
- 06** - .197 (5.0) I.D.



- 16** - .570 (14.5) I.D.
- 18** - .695 (17.7) I.D.
- 27** - .766 (19.46) I.D.
- 31** - .820 (20.83) I.D.
- 19** - .885 (22.5) I.D.
- 28** - 1.015 (25.78) I.D.
- 22** - 1.210 (30.7) I.D.
- 23** - 1.275 (32.4) I.D.
- 30** - 1.380 (35.05) I.D.
- 25** - 1.530 (38.86) I.D.



- 50** - .432 (11.0) I.D.
- 52** - .492 (12.5) I.D.
- 54** - .648 (16.5) I.D.
- 56** - .757 (19.2) I.D.
- 58** - .898 (22.8) I.D.
- 60** - 1.023 (26.0) I.D.
- 64** - 1.137 (28.9) I.D.
- 68** - 1.357 (34.5) I.D.

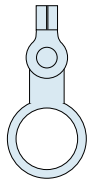
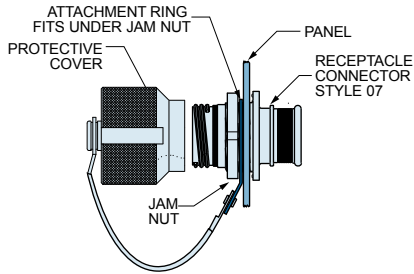
Dimensions in Inches (millimeters) are subject to change without notice.

Series 805 Mighty Mouse Triple-Start Locking Ratchet Type Receptacle Cover

809-200 Dimensions



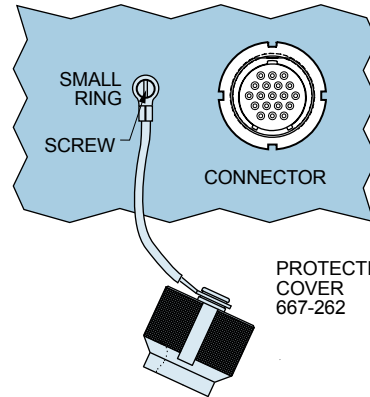
809-200 Cover Attachment to RPM Jam Nut Receptacle



Solid Ring

Dia. Code	Shell Size	Ring I.D.		Ring O.D.	
		In.	mm.	In.	mm.
		± .010	±0.25	± .015	± 0.38
16	8	.570	14.48	.69	17.53
18	9, 10	.695	17.65	.85	21.59
27	11	.766	19.46	.89	22.61
31	12	.820	20.83	1.00	25.40
19	13	.885	22.48	1.01	25.65
28	15	1.015	25.78	1.20	30.48
22	18	1.210	30.73	1.31	33.27
23	19	1.275	32.39	1.37	34.80
30	21	1.395	35.43	1.52	38.61
25	23	1.530	38.86	1.63	41.40

809-200 Cover Attachment to Panel

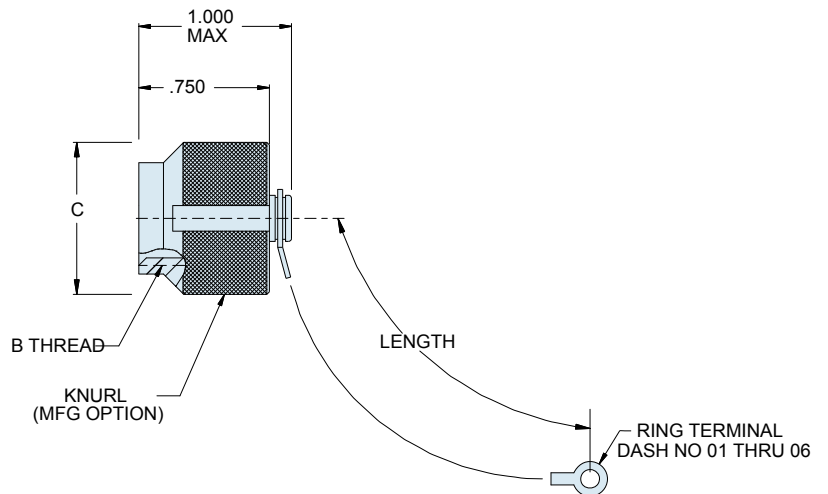


Small Ring for attaching receptacle covers to a panel with a screw

Dia. Code	Screw Size	Ring I.D.		Ring O.D.	
		In.	mm.	In.	mm.
		±.005	±0.13	Max.	Max.
01	#4, M3	.125	3.20	.30	7.6
02	#6	.140	3.60	.30	7.6
04	#8, M4	.182	4.60	.30	7.6
06	#10	.197	5.00	.30	7.6

Table II: Dimensions

Shell Size	B Thread	C	
		In.	mm.
8	.5000-.1P-.3L-TS-2B	.69	17.53
9	.5625-.1P-.3L-TS-2B	.79	20.07
10	.6250-.1P-.3L-TS-2B	.827	21.01
11	.6875-.1P-.3L-TS-2B	.918	23.32
12	.7500-.1P-.3L-TS-2B	.984	24.99
13	.8125-.1P-.3L-TS-2B	1.047	26.59
15	.9375-.1P-.3L-TS-2B	1.098	27.89
18	1.1250-.1P-.3L-TS-2B	1.287	32.69
19	1.1875-.1P-.3L-TS-2B	1.311	33.30
21	1.3125-.1P-.3L-TS-2B	1.448	36.78
23	1.4375-.1P-.3L-TS-2B	1.562	39.67

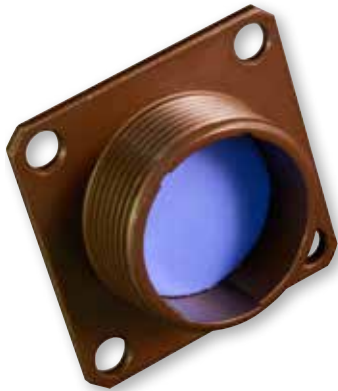


Dimensions in Inches (millimeters) are subject to change without notice.





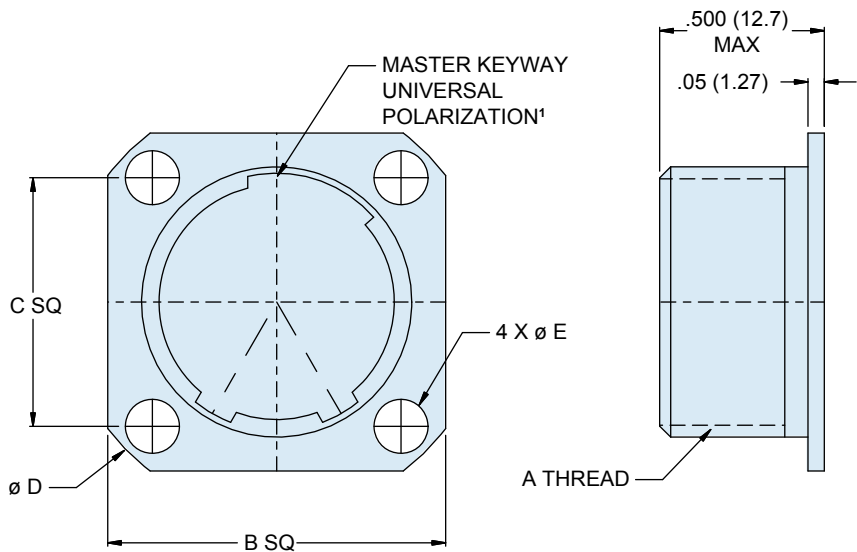
Series 80 Mighty Mouse Dummy Receptacle for 800 Connectors 809-173 Flange Mount - Dimensions



How To Order			
Sample Part Number	809-173	-M	10
Series	809-173		
Shell Material and Finish	C = Aluminum / Black Anodize (Non-Conductive) RoHS Compliant M = Aluminum / Electroless Nickel NF = Aluminum / Cadmium with Olive Drab ZN = Aluminum / Zinc-Nickel with Olive Drab Chromate ZNU = Aluminum / Zinc-Nickel with Black Chromate Z1 = Stainless Steel / Passivated ZB = Stainless Steel / Olive Drab Chromate over Cadmium ZC = Stainless Steel / Zinc Cobalt Alloy / Black Chromate		
Shell Size (See Table II)	5, 6, 7, 8, 9, 10, 12		

X

These flange mount style Series 800 dummy stowage receptacles provide a safe and convenient place to store and protect cabled connectors when not in use, due to routine maintenance or during repair of plug cables.



NOTES

1. Master keyway is rotated 90° clockwise for shell sizes 7 thru 12

Material/Finish:

- Shell: Al alloy or CRES
- Gasket: Fluorosilicone

Shell Size	A Thread	B Sq		C Sq		Ø D		Ø E	
		In.	mm.	In.	mm.	In.	mm.	In.	mm.
5	.3125-28 UN-2A	.527	13.4	.363	9.2	.680	17.3	.096 .091	2.4 2.3
6	.3750-28 UN-2A	.588	14.9	.423	10.7	.750	19.1	.096 .091	2.4 2.3
7	.4375-28 UNEF-2A	.680	17.3	.483	12.3	.880	22.4	.128	3.3
8	.5000-32 UN-2A	.710	18.0	.542	13.8	.938	23.8	.128	3.3
9	.5625-32 UN-2A	.938	23.8	.719	18.3	1.250	31.8	.128	3.3
10	.6250-32 UN-2A	.938	23.8	.719	18.3	1.250	31.8	.128	3.3
12	.7500-28 UN-2A	1.031	26.2	.812	20.6	1.375	34.9	.128	3.3

Dimensions in Inches (millimeters) are subject to change without notice.

Series 80 Mighty Mouse Dummy Receptacle for 801 Connectors 657-072 Flange Mount - Dimensions



How To Order			
Sample Part Number	657-072	M	10
Series	657-072		
Shell Material and Finish	C = Aluminum / Black Anodize (Non-Conductive) RoHS Compliant M = Aluminum / Electroless Nickel NF = Aluminum / Cadmium with Olive Drab ZN = Aluminum / Zinc-Nickel with Olive Drab Chromate ZNU = Aluminum / Zinc-Nickel with Black Chromate Z1 = Stainless Steel / Passivated ZB = Stainless Steel / Olive Drab Chromate over Cadmium ZC = Stainless Steel / Zinc Cobalt Alloy / Black Chromate		
Shell Size (See Table II)	5, 6, 7, 8, 9, 10, 11, 13, 16, 17, 19, 21		

These flange mount style Series 800 dummy stowage receptacles provide a safe and convenient place to store and protect cabled connectors when not in use, due to routine maintenance or during repair of plug cables.

NOTES

Materials and Finishes

- Cover: Al Alloy or Stainless Steel
- Seal: Fluorosilicone

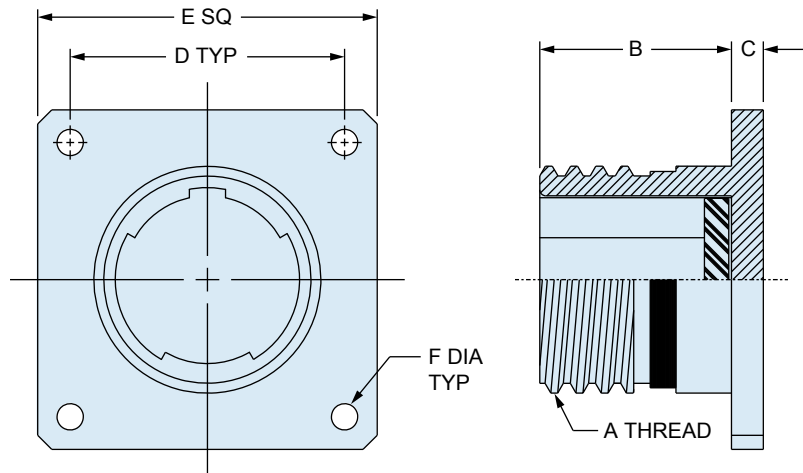


Table II: Dimensions											
Shell Size	A thread	B		C		D		E		F Dia	
		in.	mm.	in.	mm.	in.	mm.	in.	mm.	in.	mm.
5	.3125-.05P-.1L-DS-2A	.370	9.40	.060	1.52	.363	9.22	.530	13.46	.093	2.36
6	.3750-.05P-.1L-DS-2A	.370	9.40	.060	1.52	.423	10.74	.590	14.99	.093	2.36
7	.4375-.05P-.1L-DS-2A	.370	9.40	.060	1.52	.483	12.27	.650	16.51	.093	2.36
8	.5000-.05P-.1L-DS-2A	.370	9.40	.060	1.52	.545	13.84	.712	18.08	.093	2.36
9	.5265-.05P-.1L-DS-2A	.370	9.40	.060	1.52	.607	15.42	.850	21.59	.128	3.25
10	.6250-.05P-.1L-DS-2A	.370	9.40	.060	1.52	.670	17.02	.890	22.61	.128	3.25
11	.6875-.05P-.1L-DS-2A	.370	9.40	.060	1.52	.715	18.16	.935	23.75	.128	3.25
13	.8125-.1P-.2L-DS-2A	.480	12.19	.090	2.29	.812	20.62	1.030	26.16	.128	3.25
16	1.0000-.1P-.2L-DS-2A	.480	12.19	.090	2.29	.981	24.92	1.219	30.96	.128	3.25
17	1.0625-.1P-.2L-DS-2A	.480	12.19	.090	2.29	1.060	26.92	1.280	32.51	.128	3.25
19	1.1875-.1P-.2L-DS-2A	.480	12.19	.090	2.29	1.191	30.25	1.432	36.37	.128	3.25
21	1.3125-.1P-.2L-DS-2A	.480	12.19	.090	2.29	1.322	33.58	1.565	39.75	.128	3.25

Dimensions in Inches (millimeters) are subject to change without notice.





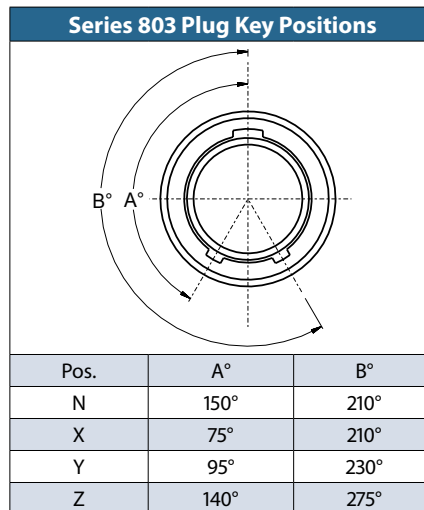
Series 80 Mighty Mouse Dummy Receptacle for 803 Connectors 809-092 Bayonet Receptacle - Dimensions



These Series 803 bayonet receptacle dummy stowage receptacles for shell size 5 thru 15, provide a safe a convenient place to store and protect cabled connectors when not in use due to routine maintenance or repair of plug cables.

X

How To Order					
Sample Part Number	809-092	-07	M	7	N
Series	809-092				
Shell Style	02 = Flange Receptacle for front or rear panel mounting 07 = Jam nut receptacle for rear panel mounting				
Shell Material and Finish	C = Aluminum / Black Anodize (Non-Conductive) RoHS Compliant M = Aluminum / Electroless Nickel NF = Aluminum / Cadmium with Olive Drab ZN = Aluminum / Zinc-Nickel with Olive Drab Chromate Z1 = Stainless Steel / Passivated ZB = Stainless Steel / Olive Drab Chromate over Cadmium ZC = Stainless Steel / Zinc Cobalt Alloy / Black Chromate				
Shell Size (See Table II)	5, 6, 7, 8, 9, 10, 12, 14, 15				
Key Position	N = Normal, X, Y, Z, U = Universal				



Dimensions in Inches (millimeters) are subject to change without notice.

Series 80 Mighty Mouse Dummy Receptacle for 803 Connectors 809-092 Bayonet Receptacle - Dimensions

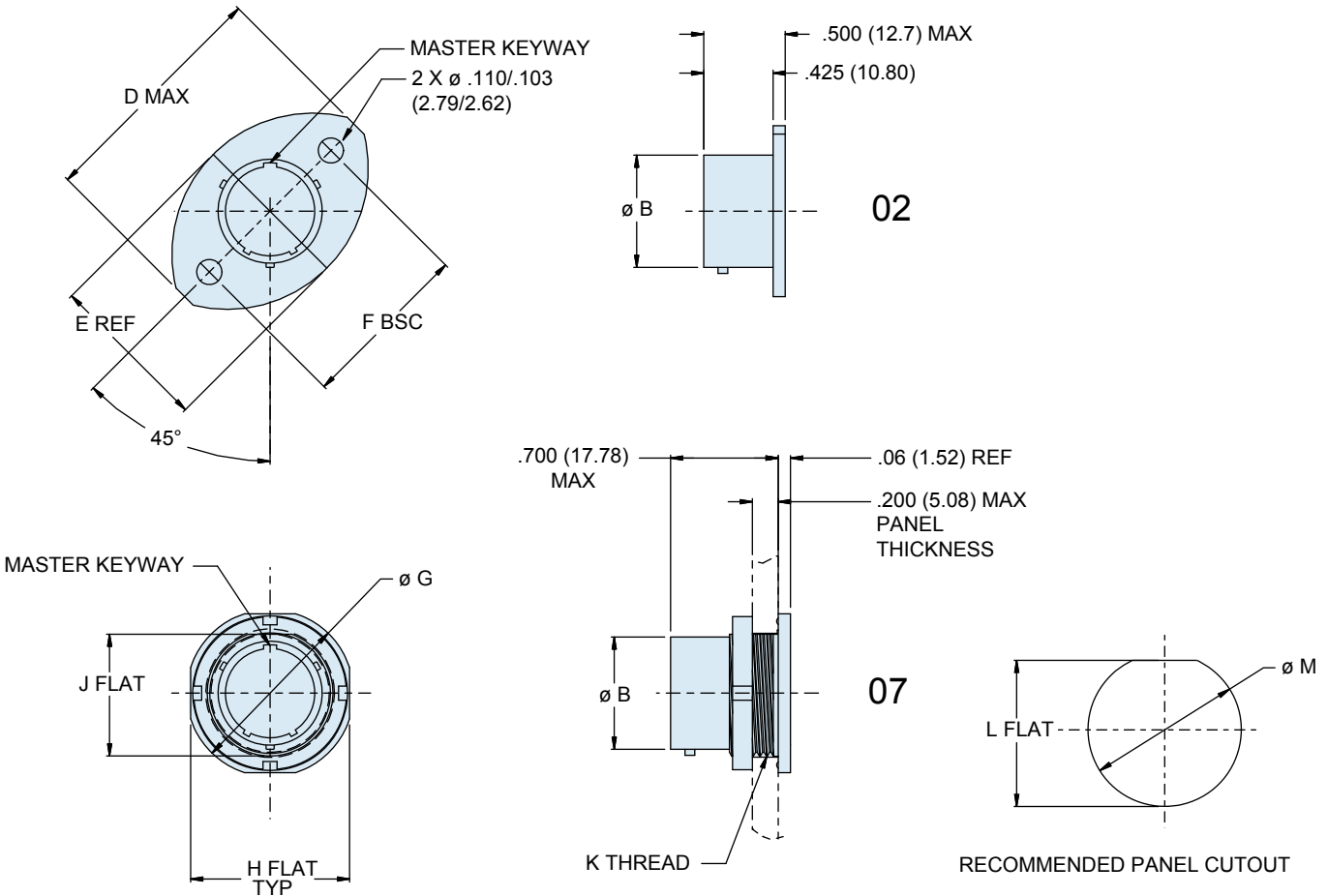


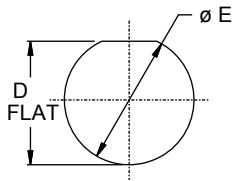
Table II: Dimensions																			
Shell Size	Ø B		Ø D		E Ref		F Bsc		Ø G		H Flat		J Flat		K Thread	L Flat		Ø M	
	in.	mm.	in.	mm.	in.	mm.	in.	mm.	in.	mm.	in.	mm.	in.	mm.		in. ± .002	mm. ± .002	in.	mm.
5	.300	7.62	.703	17.86	.460	11.68	.513	13.03	.575	14.61	.545	13.84	.350	8.89	.3750-28 UN-2A	.360	9.14	.385	9.78
6	.362	9.19	.788	20.02	.522	13.26	.598	15.19	.635	16.13	.595	15.11	.410	10.41	.4375-28 UNEF-2A	.420	10.67	.448	11.38
7	.436	11.07	.890	22.61	.590	14.99	.708	17.98	.755	19.18	.723	18.36	.536	13.61	.5625-32 UN-2A	.546	13.87	.573	14.55
8	.508	12.90	1.154	29.31	.668	16.97	.964	24.49	.830	21.08	.790	20.07	.593	15.06	.6250-28 UN-2A	.603	0.60	.635	16.13
9	.561	14.25	1.207	30.66	.721	18.31	1.017	25.83	.830	21.08	.790	20.07	.593	15.06	.6250-28 UN-2A	.603	15.32	.635	16.13
10	.635	16.13	1.291	32.79	.795	20.19	1.101	27.97	.955	24.26	.925	23.50	.721	18.31	.7500-28 UN-2A	.731	18.57	.760	19.30
12	.714	18.14	1.394	35.41	.874	22.20	1.204	30.58	1.078	27.38	1.044	26.52	.845	21.46	.8750-28 UN-2A	.855	21.72	.885	22.48
14	.865	21.97	1.545	39.24	1.050	26.67	1.280	32.51	1.264	32.11	1.230	31.24	1.022	25.96	1.0625-20 UN-2A	1.032	26.21	1.075	27.31
15	.925	23.50	1.630	41.40	1.150	29.21	1.370	34.80	1.325	33.66	1.290	32.77	1.096	27.84	1.1250-28 UN-2A	1.106	28.09	1.135	28.83

Dimensions in Inches (millimeters) are subject to change without notice.



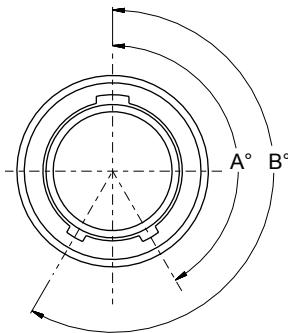
Series 80 Mighty Mouse Rear Panel Mount Dummy Receptacle for 804 Connectors 650-061 Ordering Information

Series 804 rear panel mounted dummy storage receptacles provide a safe a convenient place to store and protect cabled connectors when not in use due to routine maintenance or repair of plug cables.



RECOMMENDED PANEL CUTOUT

Alternate Key Positions



Pos.	A°	B°
A	150°	210°
B	75°	210°
C	95°	230°
D	140°	275°
E	75°	275°
F	95°	210°

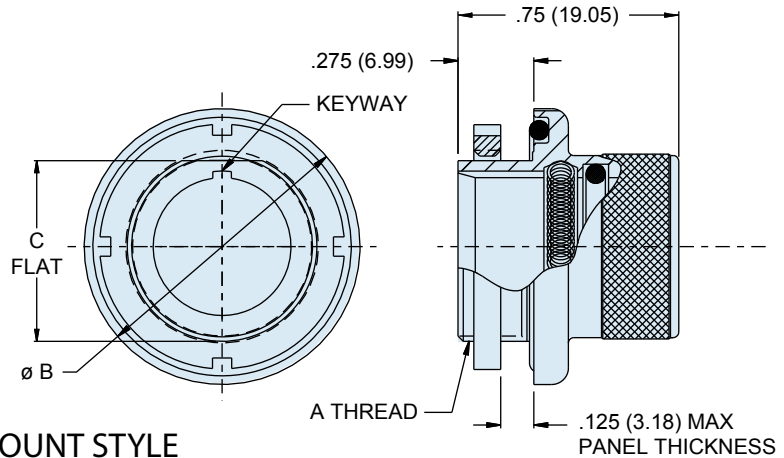
NOTES:

- Glenair 600 series backshell assembly tools are recommended for assembly and installation.

Material and Finish:

- Receptacle: Al Alloy or SST/
- Seal: Fluorosilicone
- Spring: CRES/gold plated

How To Order				
Sample Part Number	650-061	NF	15	A
Series	650-061			
Shell Material and Finish	C = Aluminum / Black Anodize (Non-Conductive) RoHS Compliant M = Aluminum / Electroless Nickel NF = Aluminum / Cadmium with Olive Drab ZN = Aluminum / Zinc-Nickel with Olive Drab Chromate ZNU = Aluminum / Zinc-Nickel with Black over Electroless Nickel Z1 = Stainless Steel / Passivated ZB = Stainless Steel / Olive Drab Chromate over Cadmium ZC = Stainless Steel / Zinc Cobalt Alloy / Black Chromate			
Shell Size (See Table II)	5, 6, 7, 8, 9, 10, 11, 12, 14, 15			
Key Position	A, B, C, D, E, F Omit = Single key (non-Polarized)			



REAR MOUNT STYLE

Table I: Dimensions

Shell Size	A Thread	Ø B		C-Flat		D-Flat		Ø E	
		in.	mm.	in.	mm.	in. ± .04	mm. ± .04	in.	mm.
5	.4375-32 UN-2A	.790	20.07	.415	10.54	.425	10.80	.448	11.38
6	.5000-32 UN-2A	.830	21.08	.467	11.86	.477	12.12	.510	12.95
7	.6250-28 UN-2A	.910	23.11	.594	15.09	.603	15.32	.635	16.13
8	.6250-28 UN-2A	.955	24.26	.594	15.09	.603	15.32	.635	16.13
9	.6875-28 UN-2A	1.000	25.40	.655	16.64	.665	16.89	.695	17.65
10	.7500-28 UN-2A	1.085	27.56	.721	18.31	.731	18.57	.760	19.30
11	.8125-28 UN-2A	1.135	28.83	.788	20.02	.798	20.27	.822	20.88
12	.8750-28 UN-2A	1.180	29.97	.843	21.41	.853	21.67	.885	22.48
14	1.0000-28 UN-2A	1.325	33.66	.968	24.59	.978	24.84	1.010	25.65
15	1.0625-20 UN-2A	1.390	35.31	1.029	26.14	1.039	26.39	1.070	27.18

Dimensions in Inches (millimeters) are subject to change without notice.

Series 80 Mighty Mouse Dummy Storage Plug for 804 Connectors 809-213 Ordering Information



Dummy storage receptacles provide a safe convenient place to store and protect cabled connectors when not in use due to routine maintenance or repair of plug cables.

NOTES:

1. Red stripe indicator for alignment during mating.
2. This storage plug mates with 804 series receptacles with compatible polarization.

Material and Finish:

- Shell, jam nut: Al Alloy or CRES
- O-rings: Fluorosilicone.

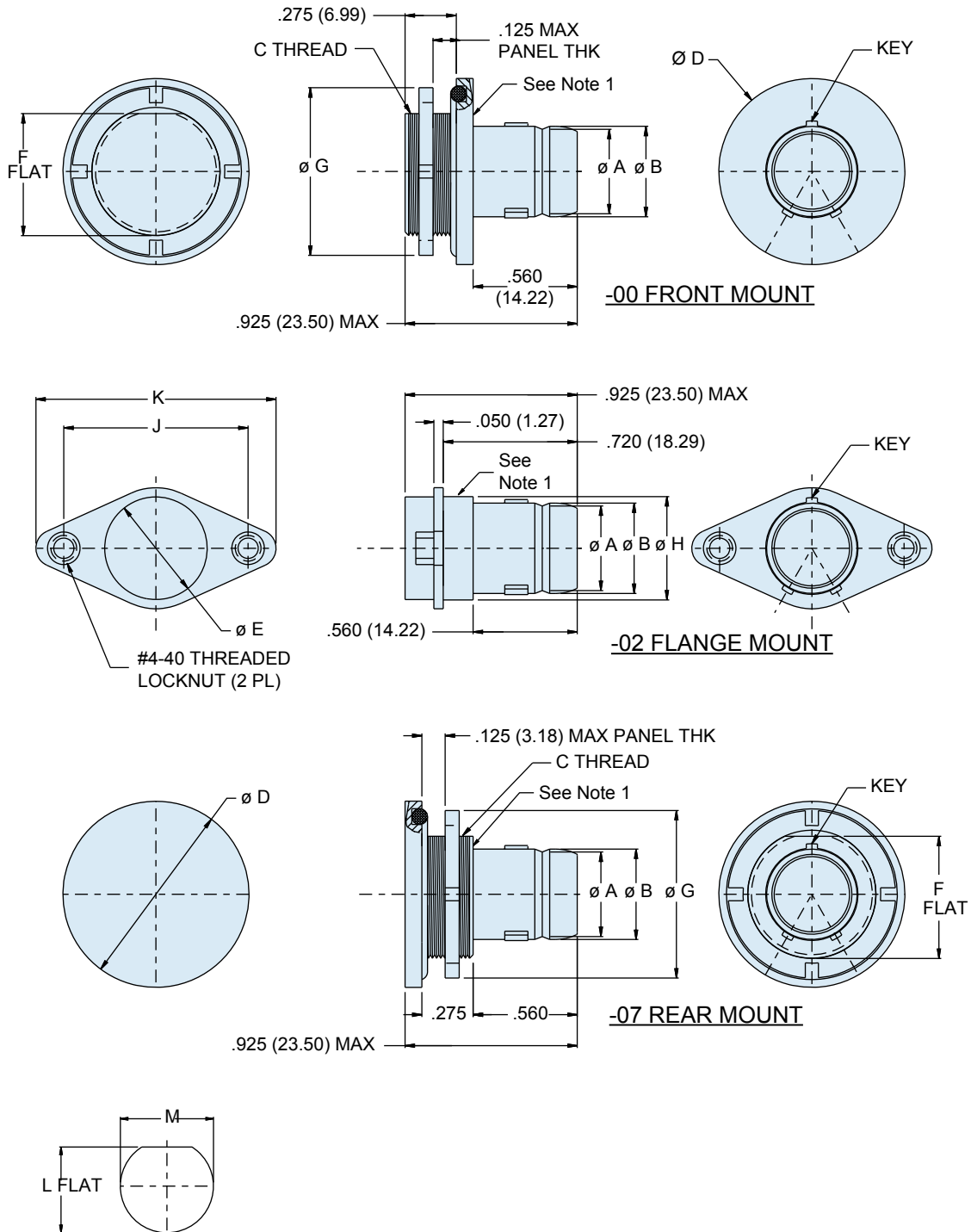
Alternate Key Positions		
Pos.	A°	B°
A	150°	210°
B	75°	210°
C	95°	230°
D	140°	275°
E	75°	275°
F	95°	210°

How To Order					
Sample Part Number	809-213	-07	M	9	A
Series	809-213				
Shell Style	-07 = Rear Mount, Jam Nut -02 = Flange Mount -00 = Front Mount, Jam Nut				
Shell Material and Finish	C = Aluminum / Black Anodize (Non-Conductive) RoHS Compliant M = Aluminum / Electroless Nickel NF = Aluminum / Cadmium with Olive Drab ZN = Aluminum / Zinc-Nickel with Olive Drab Chromate ZNU = Aluminum / Zinc-Nickel with Black over Electroless Nickel Z1 = Stainless Steel / Passivated ZB = Stainless Steel / Olive Drab Chromate over Cadmium ZC = Stainless Steel / Zinc Cobalt Alloy / Black Chromate				
Shell Size (See Table II)	5, 6, 7, 8, 9, 10, 11, 12, 14, 15				
Key Position	A, B, C, D, E, F Omit = Single Key (non-polarized)				

Shell size	Ø A		Ø B		C Thread	Ø D		Ø E		F Flat		Ø G		H		J		K		L Flat ± .005		Ø M	
	in.	mm.	in.	mm.		in.	mm.	in.	mm.	in.	mm.	in.	mm.	in.	mm.	in.	mm.	in.	mm.	in.	mm.	in.	mm.
	5	.219	5.56	.250		6.35	.4375-32 UN-2A	0.790	20.07	.244	6.20	.415	10.54	.562	14.27	.320	8.13	.755	19.18	1.055	26.80	.423	10.74
6	.282	7.16	.313	7.95	.5000-32 UN-2A	.830	21.08	.330	8.38	.467	11.86	.625	15.88	.385	9.78	.820	20.83	1.120	28.45	.475	12.07	.510	12.95
7	.351	8.92	.383	9.73	.6250-28 UN-2A	.910	23.11	.432	10.97	.594	15.09	.750	19.05	.450	11.43	.885	22.48	1.185	30.10	.602	15.29	.635	16.13
8	.398	10.11	.429	10.90	.6250-28 UN-2A	.955	24.26	.493	12.52	.594	15.09	.750	19.05	.495	12.57	.930	23.62	1.230	31.24	.602	15.29	.635	16.13
9	.454	11.53	.486	12.34	.6875-28 UN-2A	1.000	25.40	.551	14.00	.655	16.64	.812	20.62	.555	14.10	.990	25.15	1.290	32.77	.663	16.84	.698	17.73
10	.529	13.44	.563	14.30	.7500-28 UN-2A	1.085	27.56	.620	15.75	.721	18.31	.875	22.23	.625	15.88	1.060	26.92	1.360	34.54	.729	18.52	.760	19.30
11	.587	14.91	.618	15.70	.8125-28 UN-2A	1.140	28.96	.662	16.81	.790	20.06	.938	23.83	.690	17.53	1.120	28.45	1.420	36.07	.798	20.27	.823	20.90
12	.646	16.41	.676	17.17	.8750-28 UN-2A	1.180	29.97	.703	17.86	.843	21.41	1.000	25.40	.750	19.05	1.185	30.10	1.485	37.72	.851	21.62	.885	22.48
14	.768	19.51	.800	20.32	1.000-28 UN-2A	1.325	33.66	.863	21.92	.968	24.59	1.125	28.58	.865	21.97	1.300	33.02	1.600	40.64	.976	24.79	1.010	25.65
15	.828	21.03	.860	21.84	1.0625-20 UN-2A	1.390	35.31	.912	23.16	1.029	26.14	1.188	30.18	.930	23.62	1.365	34.67	1.665	42.29	1.037	26.34	1.072	27.23

Dimensions in Inches (millimeters) are subject to change without notice.

Series 80 Mighty Mouse Dummy Storage Plug for 804 Connectors 809-213 Ordering Information



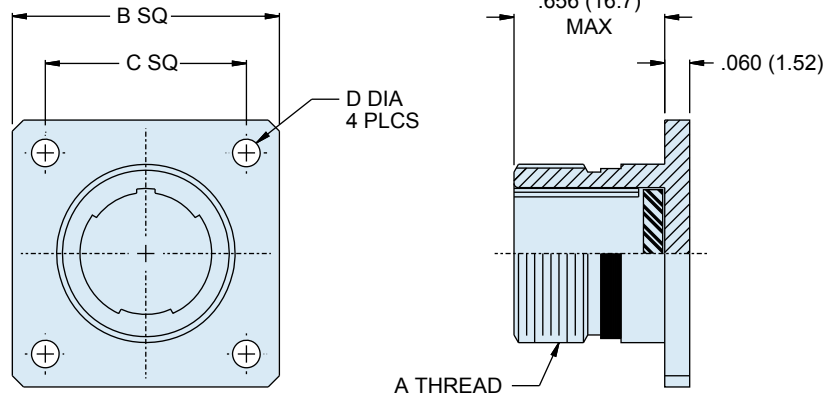
Dimensions in Inches (millimeters) are subject to change without notice.

Series 80 Mighty Mouse Dummy Storage Receptacle for 805 Connectors 657-079 Ordering Information



How To Order			
Sample Part Number	657-079	NF	15
Series	657-079 = Universal Polarity		
Shell Material and Finish	C = Aluminum / Black Anodize (Non-Conductive) RoHS Compliant M = Aluminum / Electroless Nickel NF = Aluminum / Cadmium with Olive Drab ZN = Aluminum / Zinc-Nickel with Olive Drab Chromate ZNU = Aluminum / Zinc-Nickel with Black over Electroless Nickel Z1 = Stainless Steel / Passivated ZB = Stainless Steel / Olive Drab Chromate over Cadmium ZC = Stainless Steel / Zinc Cobalt Alloy / Black Chromate		
Shell Size (See Table II)	8, 9, 10, 11, 12, 13, 15, 18, 19, 21, 23		

These Series 805 dummy storage receptacles universal polarity provide a safe a convenient place to store and protect cabled connectors when not in use due to routine maintenance or repair of plug cables.



NOTES:

1. Glenair 600 series backshell assembly tools are recommended for assembly and installation.

Material and Finish:

- Receptacle: Al Alloy or SST/
- Seal: Fluorosilicone

Table II: Dimensions							
Shell Size	A Thread 2A	B Sq		C Sq		D Dia	
		in.	mm.	in.	mm.	in.	mm.
8	.5000-.1P-.3L-TS	.850	21.59	.660	16.76	.097 .091	2.46 2.31
9	.5625-.1P-.3L-TS	.913	23.19	.723	18.36		
10	.6250-.1P-.3L-TS	.975	24.77	.785	19.94		
11	.6875-.1P-.3L-TS	1.039	26.39	.848	21.54		
12	.7500-.1P-.3L-TS	1.099	27.91	.909	23.09		
13	.8125-.1P-.3L-TS	1.163	29.54	.973	24.71	.131 .125	3.33 3.18
15	.9375-.1P-.3L-TS	1.288	32.72	1.058	26.87		
18	1.1250-.1P-.3L-TS	1.475	37.47	1.255	31.88		
19	1.1870-.1P-.3L-TS	1.537	39.04	1.327	33.71		
21	1.3125-.1P-.3L-TS	1.663	42.24	1.452	36.88		
23	1.4375-.1P-.3L-TS	1.787	45.39	1.570	39.88		

Dimensions in Inches (millimeters) are subject to change without notice.

Index



Index

181-057-125	W-10	620MS065	X-22	801-009	K-11	802-008	W-18
181-057-126	W-10	650-061	X-77	801-009	S-12	802-009	E-6
181-063-1255	W-5	657-072	X-74	801-009	W-13	802-010	E-8
181-063-126	W-5	657-079	X-80	801-010	D-15	802-010	W-20
181-064-1255	W-5	660-082	X-57	801-010	K-11	802-011	E-8
181-064-126	W-5	660-083	X-57	801-010	S-12	802-011	W-20
181-075-125	W-10	660-087	X-54	801-010	W-13	802-012	E-12
181-075-126	W-10	660-088	X-54	801-011	D-20	802-013	E-16
181-084-1255	W-7	667-184	X-40	801-011	S-16	802-019	E-23
181-084-126	W-7	667-185	X-40	801-012	D-30	802-022	E-23
181-085-1255	W-7	667-202	X-60	801-017	D-36	802-026	E-25
181-085-126	W-7	667-217	X-43	801-023	D-23	802-027	E-25
240-800	J-22	667-218	X-43	801-026	D-38	802-028	E-25
240-801	J-8	667-218	X-49	801-028	U-12	802-029	E-25
240-804	J-14	667-241	X-55	801-029	U-14	802-030	E-12
240-805	J-16	667-242	X-55	801-031	D-41	802-032	E-23
249-003-800	X-15	667-261	X-68	801-032	D-41	802-033	E-23
249-003-801	X-15	667-262	X-68	801-033	D-20	802-050	E-48
340MS001	X-21	667-282	X-67	801-033	S-16	803-001	F-6
340MS026	X-20	667-347	X-49	801-034	D-38	803-002	F-6
370MA038	X-29	800-006	C-6	801-036	P-4	803-003	F-8
370MB038	X-29	800-007	C-6	801-037	P-6	803-004	F-8
370MS037	X-29	800-008	C-6	801-038	P-10	803-005	F-12
370MS038	X-29	800-009	C-6	801-039	P-4	803-006	F-14
380MA137	X-31	800-010	C-8	801-040	P-6	803-007	U-4
380MB137	X-31	800-011	C-8	801-045	P-13	803-010	F-16
380MS135	X-31	800-012	C-12	801-046	P-14	803-011	U-12
380MS137	X-31	800-013	C-20	801-047	P-15	803-012	U-14
380MS141	X-33	800-024	U-4	801-065	D-42	803-013	F-18
390MA077	X-37	800-032	C-15	801-066	D-42	803-014	F-18
390MB077	X-37	800-034	C-26	801-067	D-42	803-015	F-12
390MS076	X-37	800-036	U-12	801-068	D-42	803-026	F-23
390MS077	X-37	800-037	U-14	801-069	D-13	803-027	F-23
440MK135	X-25	800-038	C-26	801-070	D-38	803-028	F-23
440ML135	X-25	800-039	C-26	801-071	D-38	803-029	F-23
440MS134	X-27	800-040	C-12	801-072	D-41	803-032	F-18
440MS135	X-25	800-041	C-26	801-073	D-41	803-033	F-18
447MS981	X-35	800-052	C-31	801-074	D-34	803-034	F-18
600-061	A-14	800-053	C-31	801-075	D-28	803-041	F-18
600-137	A-15	800-054	C-31	801-076	P-16	803-056	F-18
600-140	A-16	800-055	C-31	801-077	P-17	803-057	F-18
600-141	A-16	800-056	C-26	801-078	P-18	804-001	G-10
600-146	A-15	800-057	C-26	801-081	P-19	804-002	G-10
600-147	A-15	800-058	C-26	801-082	T-7	804-003	G-12
600-154	A-15	800-059	C-26	801-083	T-7	804-004	G-12
600-185	A-16	800-060	C-24	801-084	T-8	804-005	G-20
600-197	A-15	80-093	A-6	801-085	T-8	804-006	G-23
600M005	A-16	801-007	D-9	801-087	T-9	804-009	G-16
600MM005	A-16	801-007	K-9	801-088	T-9	804-013	U-4
601-060	A-14	801-007	S-10	801-089	T-10	804-015	G-28
601-061	A-14	801-007	W-11	801-090	T-10	804-016	U-12
601-064	A-14	801-008	D-9	801-091	T-11	804-017	U-14
601-065	A-14	801-008	K-9	801-113	D-11	804-018	G-28
620MA065	X-22	801-008	S-10	801-114	D-11	804-019	G-28
620MB065	X-22	801-008	W-11	802-0009	W-18	804-020	G-20
620MS064	X-22	801-009	D-15	802-008	E-6	804-021	G-11

Index



Index

804-022	G-28	805-061	H-10	809-116	A-8	830-003/857-011 ²	A-10
804-026	Q-4	805-062	H-43	809-117	A-8	841-002	M-4
804-027	Q-4	805-063	H-43	809-118	A-8	841-003	M-6
804-028	Q-6	805-064	H-43	809-119	A-8	841-004	M-6
804-029	Q-6	805-065	H-43	809-120	A-8	844-001	M-10
804-030	Q-10	805-066	H-39	809-121	A-8	844-002	M-10
804-031	Q-10	805-067	H-27	809-124	A-11	844-003	M-12
804-058	G-32	805-109	H-33	809-125	A-11	844-004	M-12
804-059	G-32	805-110	H-35	809-126	A-12	845-001	M-16
804-060	G-32	805-111	H-37	809-127	A-12	845-002	M-16
804-061	G-32	805-112	R-11	809-128	A-11	845-003	M-18
804-062	G-28	805-113	R-12	809-131	A-13	845-004	M-18
804-063	G-28	805-114	R-13	809-132	A-13	850-002-20-363	A-7
804-064	G-30	805-115	R-14	809-133	A-12	850-003-20-357	A-7
804-065	G-30	805-116	R-15	809-134	A-12	850-013	K-22
804-066	G-8	805-117	R-16	809-135	A-11	850-014	K-22
804-067	G-25	805-118	R-17	809-136	A-12	852-006	K-34
804-070	Q-12	809-001	A-3	809-137	A-12	852-007	K-34
804-071	Q-13	809-001	N-10	809-138	A-12	852-015	A-9
804-072	Q-14	809-002	A-3	809-141	X-39	852-016	A-9
804-073	Q-15	809-002	N-10	809-150	X-17	852-017	A-9
804-074	Q-16	809-005	A-11	809-155	A-10	852-018	A-9
804-075	Q-17	809-005	N-12	809-155	N-12	852-042	K-26
804-076	Q-18	809-013	A-10	809-165	X-16	852-043	K-26
805-001	H-8	809-015	M-23	809-173	X-74	852-056	K-24
805-001	K-8	809-015	N-12	809-189	X-16	852-057	K-24
805-001	W-24	809-035	X-11	809-190	X-47	853-003	K-30
805-002	H-8	809-042	A-3	809-191	X-47	853-004	K-30
805-002	K-8	809-042	N-10	809-198	X-63	853-013	K-32
805-002	W-24	809-043	A-10	809-199	X-18	853-014	K-32
805-003	H-13	809-043	N-10	809-200	X-72	853-015	S-4
805-003	K-18	809-054	X-15	809-203	A-13	853-016	S-5
805-003	W-26	809-055	N-12	809-204	A-6	853-020	S-6
805-004	H-13	809-057	A-11	809-205	A-6	853-021	S-7
805-004	K-18	809-057	N-12	809-206	A-11	854-001	K-28
805-004	W-26	809-060	X-5	809-207	A-13	854-002	K-28
805-005	H-18	809-065A	A-3	809-209	X-16	859-006	A-11
805-006	H-22	809-065C	A-3	809-213	X-79	859-012	A-10
805-007	U-4	809-066A	A-3	809-299	A-4	859-013	A-10
805-009	H-43	809-066C	A-3	809-300	A-4	859-014	A-10
805-010	H-41	809-067	X-15	809-301	A-11	859-078	M-23
805-011	H-29	809-077	M-23	809-303	X-18	859-079	M-23
805-012	U-12	809-083	X-65	811-001-06	L-6	963-001	V-3
805-013	U-14	809-087	X-65	811-003-01	L-7	963-002	V-4
805-015	H-43	809-088	A-13	811-003-02	L-8	963-003	V-5
805-016	H-43	809-088	N-12	811-004-02	L-8	963-004	V-6
805-017	H-18	809-092	X-76	811-003-07	L-9	963-005	V-7
805-018	H-43	809-094	X-10	811-004-07	L-9	963-006	V-9
805-020	R-4	809-107	A-13	811-005-02	L-12	963-012	V-8
805-021	R-4	809-108	X-12	811-005-07	L-12	963-013	V-10
805-022	R-6	809-110	A-7	811-006-02	L-13		
805-023	R-6	809-111	A-7	811-006-07	L-11		
805-057	H-47	809-112	A-7	811-007	L-14		
805-058	H-47	809-113	A-7	824-001	G-40		
805-059	H-47	809-114	A-8	824-003	G-41		
805-060	H-47	809-115	A-8	830-004/857-010 ¹	A-10		

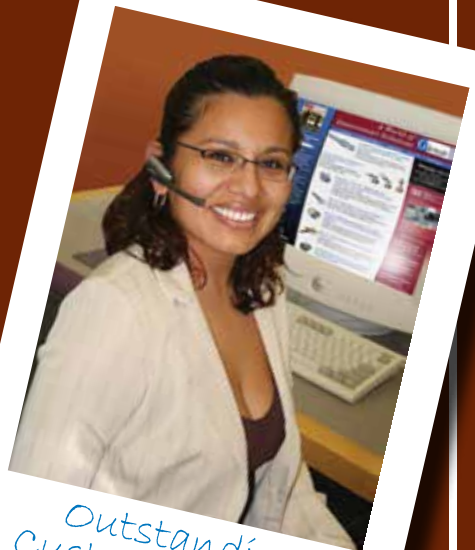
NOTES

1. 857-010 superceded by 857-010
2. 857-011 supceded by 830-003

Why CHOOSE Glenair?



Plenty of Raw Materials!



Outstanding
Customer Service!



Abundant Machining Capacity!



In-House Assembly!



Huge "Same-Day" Inventory!

Glenair®



Out of This World
**INTERCONNECT
SOLUTIONS**

Glenair, Inc.

1211 Air Way • Glendale, California • 91201-2497
Telephone: 818-247-6000 • Fax: 818-500-9912 • sales@glenair.com
www.glenair.com

**Glenair Power
Products Group**

860 N. Main Street Extension
Wallingford, CT
06492

Telephone:
203-741-1115
Facsimile:
203-741-0053
sales@glenair.com

Glenair UK Ltd

40 Lower Oakham Way
Oakham Business Park
P.O. Box 37, Mansfield
Notts, NG18 5BY England

Telephone:
+44-1623-638100
Facsimile:
+44-1623-638111
sales@glenair.co.uk

Glenair Microway Systems

7000 North Lawndale Avenue
Lincolnwood, IL
60712

Telephone:
847-679-8833
Facsimile:
847-679-8849

Glenair Nordic AB

Gustav III : S Boulevard 46
S - 169 27 Solna
Sweden

Telephone:
+46-8-50550000
Facsimile:
+46-8-50550001
sales@glenair.se

Glenair Electric GmbH

Schaberweg 28
61348 Bad Homburg
Germany

Telephone:
06172 / 68 16 0
Facsimile:
06172 / 68 16 90
germany@glenair.com

Glenair Iberica

C/ La Vega, 16
45612 Velada
Spain

Telephone:
+34-925-89-29-88
Facsimile:
+34-925-89-29-87
sales@glenair.es

Glenair Italia S.p.A.

Via Del Lavoro, 7
40057 Quarto Inferiore –
Granarolo dell'Emilia
Bologna, Italy

Telephone:
+39-051-782811
Facsimile:
+39-051-782259
info@glenair.it

Glenair France SARL

7, Avenue Parmentier
Immeuble Central Parc #2
31200 Toulouse
France

Telephone:
+33-5-34-40-97-40
Facsimile:
+33-5-61-47-86-10
sales@glenair.fr





SERIES 80 MIGHTY MOUSE CONNECTORS AND CABLES

