

Glenair®



Rectangular Connector Backshells



United States ■ United Kingdom ■ Germany ■ France ■ Nordic ■ Italy ■ Spain ■ Japan

*To Most People It's Just a
Rubber Connector Cover*



*At Glenair It's a
Good Ol' "Marshal Bean"*

We're always hard at work at Glenair developing new and improved interconnect products and accessories. Our "Marshal Bean" Protective Rubber Covers are a fine example—even if they have been around for a month of Sunday's.

"Marshal Beans" provide robust physical and environmental protection while eliminating the damage caused when metal connector covers bang against equipment housings, or when test cables get dragged across the shop floor! The covers come in two material

types: a flexible neoprene rubber or a proprietary conductive material which dissipates static electricity.

Glenair Bean Rubber Covers have been available for years, but this catalog introduces four new universal models that make order-entry a snap for standard MIL-C-24308 D-Subminiature's, MIL-DTL-83513 Micro-D's, ARINC 400's and all uniformly rectangular connectors. At Glenair, we reckon a flexible rubber cover is the perfect way to protect an interconnect cable. So isn't it time you hired "Marshal Bean" to ride herd on your connector investment?



1211 Air Way

Glendale, California 91201-2497

Telephone: 818-247-6000 · Facsimilie: 818-500-9912 · EMail: sales@glenair.com

United States • United Kingdom • Germany • France • Nordic • Italy • Spain • Japan
www.glenair.com



MIL-C-83733 Connector Backshell Assemblies.....E-1

501-001 EMI/RFI Conical-Ring Type Split Backshell for MIL-C-83733 Connectors.....E-2

507-062 EMI/RFI Backshell with Lamp Thread Type Split Strain-Relief for MIL-C-83733 Connectors.....E-3

507-078 Split Banding Backshell for MIL-C-83733 Connectors.....E-4

M85049/28 EMI/RFI Strain-Relief Backshell for Superseded M83733/15.....E-5

M85049/44 Strain-Relief Backshell for Superseded M83733/16.....E-6

ARINC Series 600 Connector Backshells.....F-1

527-056 EMI/RFI Strain-Relief Backshell for Size 1 ARINC 600 Series Connector.....F-2

527-257 EMI/RFI Shield Sock Strain-Relief Backshell for Size 1 ARINC 600 Series Connectors.....F-4

527-025 Strain Relief Backshell for Size 2 ARINC 600 Series Connectors.....F-6

527-047 Multi-Function Backshell for Size 2 ARINC 600 Series Connector.....F-8

527-149 Strain Relief Backshell for Size 2 ARINC 600 Series Connector.....F-10

527-164 Backshell Assembly with MIL-C-38999, Series III Accessory Threads for Size 2 ARINC 600 Series Connectors.....F-12

527-244 EMI/RFI Banding Backshell for Size 2 ARINC 600 Series Connectors with Wire Seal Grommet.....F-13

527-277 Feed Through Backshell Assembly & Adapters for Size 2 ARINC 600 Series Connectors.....F-14

687-488 EMI/RFI Adapter and Cap for 527-277 Feed Through Backshell.....F-15

527-284 EMI/RFI Shield Sock Backshell with Strain-Relief for Size 2 ARINC 600 Series Connectors.....F-16

527-108 EMI/RFI Banding Backshell for Size 3 ARINC 600 Series Connector.....F-18

527-126 Strain Relief Backshell for Size 3 ARINC 600 Series Connector.....F-20

527-193 EMI/RFI Backshell Assembly for Size 3 ARINC 600 Series Connectors.....F-22

527-248 EMI/RFI Shield Sock Backshell with Strain-Relief and 30° Cable Entries for Size 3 ARINC 600 Series Connectors.....F-24

527-249 EMI/RFI Shield Sock Backshell with Strain-Relief for Size 3 ARINC 600 Series Connectors.....F-26

527-305 EMI/RFI Backshell Assembly for Size 3 ARINC 600 Series Connectors.....F-28

Backshells for ARINC Series 400 (Cannon) Connectors.....G-1

547-002 EMI/RFI TAG Ring® Backshell/Lamp Thread Adapter with Shrink Boot Accomodation for Cannon DPX3 Series Connectors.....G-2

547-005 Multi-Function TAG Ring®; Lamp Thread Termination and Shrink Boot Backshell for Cannon DPX3 Series Connectors.....G-3

527-016 Split EMI/RFI Conical Ring Style Backshell for Cannon DPKA and DPKB Series Connectors.....G-4

527-186 Split Backshell and Shorting Cap for Cannon DPKA and DPKB Series Connectors.....G-6

527-015 Solid Strain-Relief Backshell for Cannon DL2-96 Series Connectors.....G-8

527-298 Split Backshell Assembly for Amphenol 217-A Cannon DPKB Connectors.....G-10

527-070 Solid TAG Ring® EMI/RFI Backshell with Strain-Relief for Cannon DPXA Series Connectors.....G-11

527-128 Solid G-Spring EMI/RFI Backshell for Cannon DPXA Series Connectors.....G-12

507-013 Split Backshell for Cannon DPKA, DPKB, and DPJM Series Connectors.....G-13

527-142 Solid TAG Ring® EMI/RFI Backshell for Cannon DPX4 Series Connectors.....G-14

527-225 EMI/RFI 45° Split Backshell for Cannon SGA3 Connector.....G-15

780-522 "Marshal Bean" Protective Rubber Cover Universal PLUG Cover for ARINC Series 400.....G-16

780-544 "Marshal Bean" Protective Rubber Cover Universal RECEPTACLE Cover for ARINC Series 400.....G-17

Hypertronics Backshells and Protective Covers.....H-1

527-123 45° Solid EMI/RFI Strain-Relief Backshell for Hypertronics NEBY Connectors.....H-2

527-109 Solid EMI/RFI Strain-Relief Backshell for Hypertronics NPBX Connectors.....H-3

527-118 45° Solid EMI/RFI Strain-Relief Backshell for Hypertronics LPMY Connectors.....H-4

667-085 Protective Cover for Hypertronics NEBY Connectors.....H-5

667-091 Protective Cover for Hypertronics NEBY Connectors Universal for Pin and Socket Contacts.....H-6

667-083 Protective Cover for Hypertronics NPBX Connectors.....H-8

667-084 Protective Cover for Hypertronics NPJY Connectors.....H-9

667-109 Protective Cover for Hypertronics LPMY Connectors.....H-10

527-184 Composite Backshell Assembly, Quick Disconnect for Hypertronics LPMY 22 Connectors.....H-11



A World of Interconnect Solutions

Glenair, Inc.

1211 Air Way • Glendale, California • 91201-2497
Telephone: 818-247-6000 • Fax: 818-500-9912 • sales@glenair.com
www.glenair.com

**Glenair Power
Products Group**
860 N. Main Street Extension
Wallingford, CT
06492

Telephone:
203-741-1115
Facsimile:
203-741-0053
sales@glenair.com

Glenair UK Ltd
40 Lower Oakham Way
Oakham Business Park
P.O. Box 37, Mansfield
Notts, NG18 5BY England

Telephone:
+44-1623-638100
Facsimile:
+44-1623-638111
sales@glenair.co.uk

Glenair Microway Systems
7000 North Lawndale Avenue
Lincolnwood, IL
60712

Telephone:
847-679-8833
Facsimile:
847-679-8849

Glenair Nordic AB
Gustav III : S Boulevard 46
S - 169 27 Solna
Sweden

Telephone:
+46-8-50550000
Facsimile:
+46-8-50550001
sales@glenair.se

Glenair Electric GmbH
Siemensstrasse 9
D-61449 Steinbach
Germany

Telephone:
49-6171-5905-0
Facsimile:
49-6171-5905-90
germany@glenair.com

Glenair Iberica
C/ La Vega, 16
45612 Velada
Spain

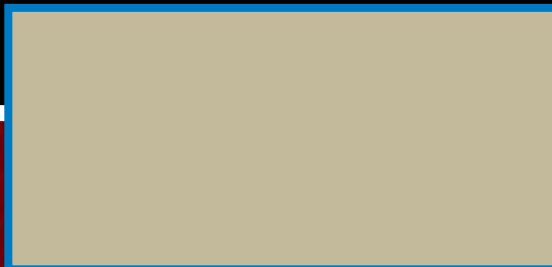
Telephone:
+34-925-89-29-88
Facsimile:
+34-925-89-29-87
sales@glenair.es

Glenair Italia S.p.A.
Via Cà dell'Orbo Nord, 22
40055 Villanova di Castenaso
Bologna, Italy

Telephone:
+39-051-780098
Facsimile:
+39-051-782259
info@glenair.it

Glenair France SARL
7, Avenue Parmentier
Immeuble Central Parc #2
31200 Toulouse
France

Telephone:
+33-5-34-40-97-40
Facsimile:
+33-5-61-47-86-10
sales@glenair.fr



Rectangular Connector Backshells & Accessories

MIL-C-24308
D-Subminiature
Backshells and
Accessories

Section A



MIL-C-83733 Connector
Backshells

Section E



MIL-C-81659
Rectangular
Backshells and
Accessories

Section B



ARINC Series 600
RFI/EMI Rectangular
Backshells and
Accessories

Section F



Introducing Glenair "Marshal Bean" Protective Rubber Covers

Conductive and non-conductive rubber covers prevent finish damage between disengaged covers and equipment panels. Available now for most rectangular connectors.



MIL-DTL-83513
Micro-D
Backshells and
Accessories

Section C



Cannon Series 400
Rectangular
Backshells and
Accessories

Section G



Backshells Designed for
MIL-C-83527/A, Radiall,
Hughes MRS, Boeing and
Amphenol Connectors

Section D



Hypertronics NEBY, NPBY,
LPMY and NPJY Rectangular
Backshells and
Accessories

Section H





Product Selection Guide: Rectangular Connector Accessories

Rectangular Backshell Selection Guide

Rectangular connector accessories offer users of rack and panel connectors the same range of connector and cable protection available for standard circular interconnects—strain relief, EMI shielding, environmental protection and so on. Glenair's Rectangular Connector Backshells and Accessories catalog presents hundreds of our most popular designs, organized by connector product family and connector manufacturer.



D-Subminiature MIL-C-24308: Glenair's Series 55 line of connector accessories for MIL-C-24308 connectors feature total enclosure of the mated plug and receptacle connectors for optimum EMI Shielding.

A variety of cable/harness shield terminations are offered for overall shields and/or individual shielded complexes. Optional conductive EMI gaskets are available for installation under the receptacle connector flange. Three cable entry locations are offered. A straight "top" cable entry and two 90° "end" and "side" entries. Split backshell designs provide easy assembly and convenient access for maintenance.



MIL-C-81659: Glenair manufactures a full-spectrum line of rectangular backshells for MIL-C-81659 connectors. Built from light-weight aluminum alloy and available in a wide range of finishes, our MIL-C-81659 backshells provide robust EMI and environmental protection.

Solid and split-shell designs are available for cable strain-relief and EMI shield termination. Top and side cable entry configurations provide flexibility in contact termination.



Micro-D MIL-DTL-83513: Glenair's extensive Micro-D backshell offering includes EMI banding shells, switching shells, potting shells and protective covers.

EMI bands and installation tools are sold separately. Most designs are available in up to six standard finishes. Backshells are available for all standard M83513 metal shell connectors.



MIL-C-83527: The Glenair 527-002 series backshell is designed for use with MIL-C-83527/1 connectors. Eight

cable entry points are available on the backshell's side, ends and top (a maximum of three entry combinations may be selected). Made from rugged aluminum alloy, the backshell is available in a full range of standard finishes. Consult factory for custom finish options. Backshell hardware is passivated stainless steel. Each unit ships with an RFI gasket.



MIL-C-83733: Glenair's split backshells for MIL-C-83733 connectors are available in three designs which offer either a standard cable clamp, saddle-bar style strain-relief, or an EMI shield banding platform. Tongue and groove joints provide optimal EMC. Customers may

choose from up to six cable entry locations. Backshell bodies are made from aluminum alloy with passivated stainless steel hardware. A full range of standard finishes are available, including custom options.



ARINC Series 400 and 600: Glenair has a full line of RFI/EMI backshells for ARINC Series 400 and 600 connectors. Backshells in the ARINC 400 Series include

Cannon DPKA, DPXB, DPJM, DPXA and DPX3. In the 600 Series we stock backshells for the complete range of Size 1, 2 and 3 ARINC 600 connectors. Every functional requirement—from overall and individual shield termination to basic saddle-bar style strain relief is available. The light-weight aluminum alloy backshells are supplied in all common finishes and cable entry configurations.



Hypertronics: Glenair backshells and protective covers for Hypertronics connectors protect critical terminations from mechanical damage. A full range

of plating options are available as are custom finishes in both top and 45° cable entries.

Standard Materials and Finishes



The following are Glenair's standard finishes. Individual product pages within this catalog list their most common finishes. Additional finishes are listed within the table below.

TABLE II - STANDARD FINISHES

GLENAIR M85049 SYMBOL		FINISH	SPECIFICATION(S)
SYMBOL	REFERENCE ONLY		
B		Cadmium Plate, Olive Drab	AMS-QQ-P-416, Type II, Class 3
C*	A	Anodize, Black	AMS-A-8625, Type II, Class 2
G*		Hard Coat, Anodic	AMS-A-8625, Type III, Class 1
J		Iridite, Gold Over Cadmium Plate Over Electroless Nickel	MIL-C-5541, Class 3 AMS-QQ-P-416, Type II, Class 3 over AMS-C-26074, Class 3 or 4, Grade B
LF		Cadmium Plate, Bright Over Electroless Nickel	1000 Hour Corrosion Resistance
M	N	Electroless Nickel	AMS-C-26074, Class 4, Grade B; & ASTM B733-90, SC2, Type 1, Class 4
N		Cadmium Plate, Olive Drab Over Electroless Nickel	AMS-QQ-P-416, Type II, Class 3 over Electroless Nickel AMS-C-26074
NC		Zinc Cobalt, Dark Olive Drab	96 Hour Corrosion Resistance
NF	W	Cadmium Plate, Olive Drab Over Electroless Nickel	1000 Hour Corrosion Resistance
T		Cadmium Plate, Bright Over Electroless Nickel	AMS-QQ-P-416, Type II, Class 3 over Electroless Nickel, AMS-C-26074, Class 3 or 4, Grade B
U**		Cadmium Plate, Black	AMS-QQ-P-416, Type II, Class 3
ZN		Zinc-Nickel Alloy, Olive Drab	ASTMB 841-91, Over Electroless Nickel 1000 Hour Salt Spray

* Anodize finish; not suitable for EMI Shielding or grounding applications.
 ** Applicable to corrosion resisting steel backshells and accessories. Consult factory for other available finishes.

STANDARD MATERIALS - BACKSHELLS AND ACCESSORIES

COMPONENT	MATERIAL	SPECIFICATION
Machined components: such as backshell bodies, fabricated elbows, protective covers, rotatable couplers, dummy stowage receptacles, lock nuts, G-spring support rings, EMI ground rings, grommet followers, etc.	Aluminum	AMS-QQ-A-200 ASTMB221, 209
Die cast components: such as angular backshells, strain relief backshells, strain relief bodies, strain relief saddles, special EMI ground rings, etc.	Aluminum	QQ-A-591 ASTMB85, 26
Backshells or strain reliefs: available in optional corrosion resisting steel; and hardware: such as screws, washers, rivets, wire rope, sash chain, band straps, etc.	Corrosion Resisting Steel	ASTMA582 (300 Series) AMS-QQ-S-763
Elastomeric seals: such as O-rings, cable jacket seals, grommets, etc.	Silicone	ZZ-R-765, MIL-R-25988
Anti-friction and thrust washers	Teflon	TFE
Anti-rotation device	Corrosion Resistant Material	N/A

NOTES

Unless otherwise specified, the following dimensional tolerances will apply:

- .xx = ± .03 (0.8)
- .xxx = ± .015 (0.4)
- Lengths = ± .060 (1.52)
- Angles = ± 5°

Metric dimensions (mm) are indicated in parentheses



Banding System Shield Termination Tools

BAND-IT® Tools and Tool Kits for Reliable Shield Termination

Fast, Cost-Effective Termination of EMI/RFI Grounding Shields

The BAND-IT® clamping system provides quick and highly reliable termination of braided metallic shielding or fabric braid. Banding technology was first introduced in our industry in 1985 as a solution to the field repair of magnaformed shield terminations on installed cable assemblies for the B-1 bomber. Banding has been a staple of the industry ever since.



BAND-IT® clamping bands are precision constructed of 300 Series SST/Passivate I.A.W. AMS 2700, and designed for use with Band-It® Hand Banding Tool or the Pneumatic Banding Tool.

The bands are offered in the following four configurations to suit a wide range of requirements: Double-wrapped, the Standard Band will accommodate diameters up to approximately 1.8 inches. The Extended Length Standard Band when double-wrapped will accommodate diameters up to approximately 2.5 inches (63.5mm). The Micro Band will accommodate diameters up to approximately .88 inches (22.5mm) when double-wrapped. The Extended Length Micro Band will accommodate diameters to approximately 1.88 inches (47.8mm) when double-wrapped. All Band-It® clamping bands may be ordered flat or precoiled in bagged and tagged quantities from 1 to 100.

Reliable RFI/EMI/EMP Terminations

The unique low profile and smooth inside diameter of the one-piece type 304 austenitic stainless steel clamping band virtually eliminates RFI/EMI/EMP leakage paths. The lock maintains constant tension under extreme environmental conditions. BAND-IT® has passed severe shock, vibration and thermal cycle testing with negligible deterioration of shell conductivity. Amazingly, the constant tension bands are easily removed with a screw-driver for easy repair of connector contacts

Single Piece Band Construction

No welding, soldering, magna forming, and no crimping! The single piece clamping bands are installed with a easy-to-use hand-held tool, or for production quantities, with a bench-mountable pneumatic machine. All versions provide reliable termination of shielding without the expense or inconvenience of high-heat systems.

Clamp Small Diameters Easily, Reliably

The secret of the The BAND-IT® clamping system is the innovative double-wrapped band design which provides an extremely high-tension termination without damaging fabric or metal braid materials. As the band tightens in place, the double-wrapped surfaces bear against each other to prevent damage to lightweight screening materials. The clamping band is designed to clamp small diameters as easily, quickly and reliably as large diameters.

Quick, Easy Field Terminations with the Precalibrated Hand Tool

The precalibrated hand tool is lightweight and pocket-sized, affording fast braided RFI/EMI/EMP shield termination in the field. The hand-held tool is extremely durable and will provide years of service and thousands of reliable terminations. Glennair is also able to offer its banding customers a fast turnaround repair service for damaged or worn tools.

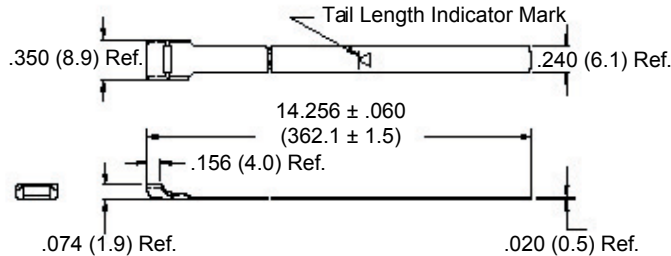
Pneumatic Banding Tool for High-Speed Mass Production

The pneumatic clamping tool offers the capability to tackle high volume braided shielding terminations quickly and easily.



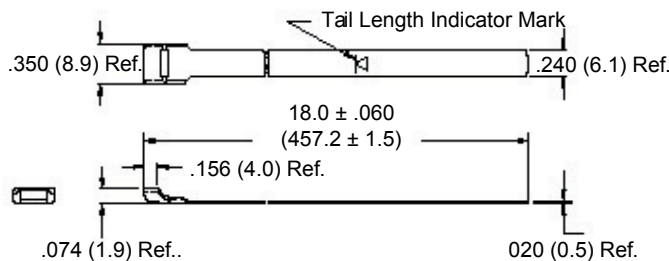
Reliable termination of EMI shielding to both circular and rectangular banding backshells is easily accomplished in the field with BAND-IT® precalibrated pocket-sized hand tools. High-speed, mass termination production is afforded by the pneumatic clamping tool.

Standard Band 600-052 Precoiled Standard Band 600-052-1



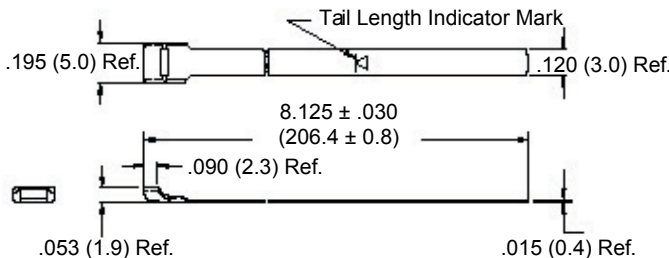
The 600-052 Standard Band is precision constructed of 300 Series SST/Passivate I.A.W. AMS 2700, and designed for use with the 600-058 Hand Banding Tool or the 600-067 Pneumatic Banding Tool. Double-wrapped bands will accommodate diameters up to approximately 1.8 inches (45.7). Bands may be ordered flat (600-052) or precoiled (600-052-1). Bands come bagged and tagged in quantities from 1 to 100.
Reference: **BAND-IT®** part number **A10086**

Extended-Length Standard Band 600-090 Precoiled Extended-Length Standard Band 600-090-1



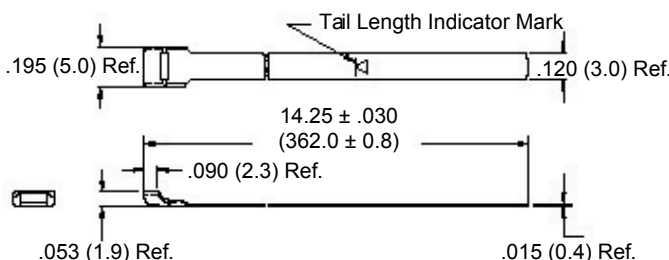
The 600-090 Extended Length Standard Band is precision constructed of 300 Series SST/Passivate I.A.W. AMS 2700, designed for use with the 600-058 Hand Banding Tool or the 600-067 Pneumatic Banding Tool. Double-wrapped bands will accommodate diameters up to approximately 2.5 inches (63.5). Bands may be ordered flat (600-090), or precoiled (600-090-1). Bands come bagged and tagged in quantities from 1 to 100.
Reference: **BAND-IT®** part number **A11086**

Micro-Band 600-057 Precoiled Micro-Band 600-057-1



The 600-057 Micro Band is precision constructed of 300 Series SST/Passivate I.A.W. AMS 2700, and designed for use with the 600-061 Hand Banding Tool or the 600-068 Pneumatic Banding Tool. Double-wrapped bands will accommodate diameters up to approximately .88 inches (22.4). Bands may be ordered flat (600-057), or precoiled (600-057-1). Bands come bagged and tagged in quantities from 1 to 100.
Reference: **BAND-IT®** part number **A31186**

Extended Length Micro-Band 600-083 Precoiled Micro-Band 600-083-1

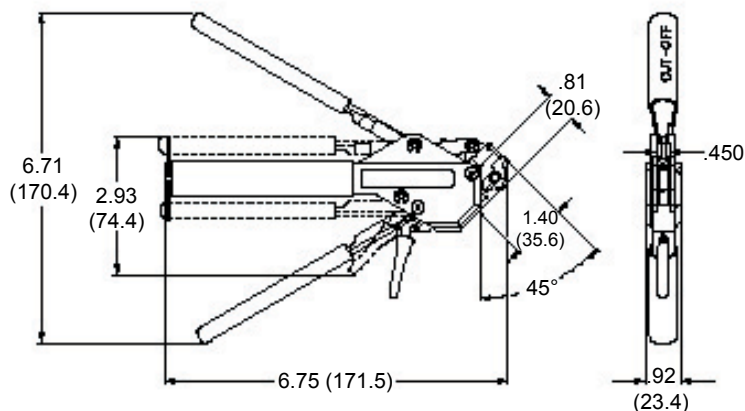


The 600-083 Extended Length Micro-Band is precision constructed of 300 Series SST/Passivate, and designed for use with the 600-061 Hand Banding Tool or the 600-068 Pneumatic Banding Tool. Double-wrapped bands will accommodate diameters up to approximately 1.88 inches (47.8). Bands may be ordered flat (600-083), or precoiled (600-083-1). Bands come bagged and tagged in quantities from 1 to 100.
Reference: **BAND-IT®** part number **A31089**.

Hand Banding Tool 600-058

The **600-058 Hand Banding Tool** weighs 1.18 lbs., and is designed for standard clamping bands 600-052 and 600-090 in a tension range from 100 to 180 lbs. Calibrate at 150 lbs. \pm 5 lbs. for most shield terminations. Tool and band should never be lubricated.

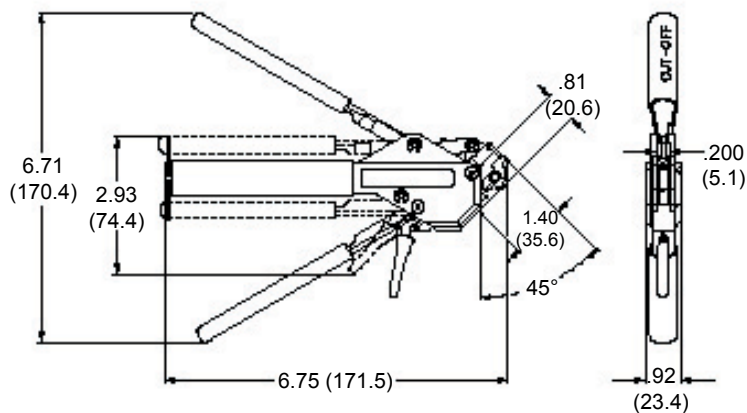
Reference: **BAND-IT®** part number A40199.



Hand Micro Banding Tool 600-061

The **600-061 Hand Micro Banding Tool** weighs 1.18 lbs., and is designed for micro clamping bands 600-057 and 600-083 in a tension range from 50 to 85 lbs. Calibrate at 75lbs +2 lbs. -7 lbs. for most shield terminations. Tool and band should never be lubricated.

Reference: **BAND-IT®** part number A30199.

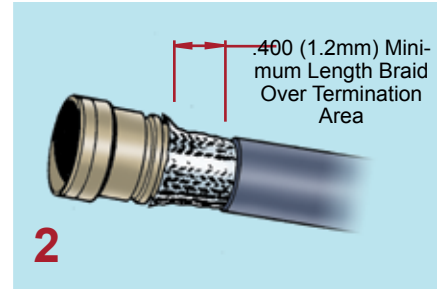
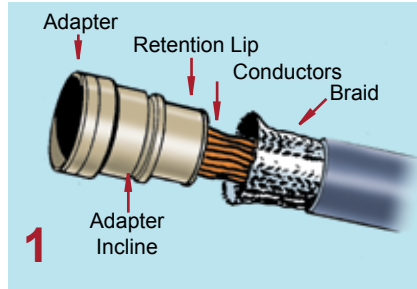


Metric Dimensions (mm) are indicated in parentheses.

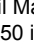
Banding System Shield Termination Tools User Instructions

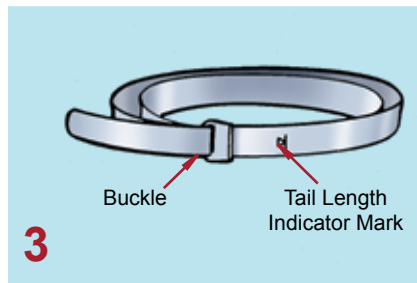



1. Prepare Cable Braid for termination process (Figure 1).
2. Push Braid forward over Adapter Retention Lip to the Adapter Incline Point (or .4" [10.2mm] minimum braid length). Milk Braid as required to remove slack and insure a snug fit around the shield termination area (Figure 2).



3. Prepare the Band in the following manner:
IMPORTANT: Due to Connector/Adapter circumference, it may be necessary to prepare the Band around the Cable or Retention Area.

- A. Roll Band through the Buckle Slot twice. (Bands must be double-coiled.)
- B. Pull on Band until Mark () is within approximately .250 inch (6.4mm) of Buckle Slot (Figure 3). The Band may be tightened further if desired.



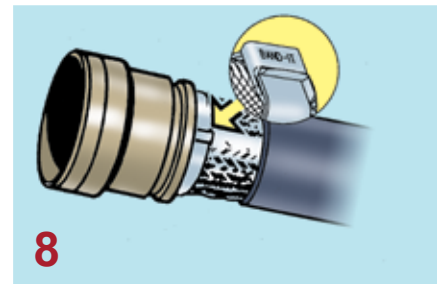
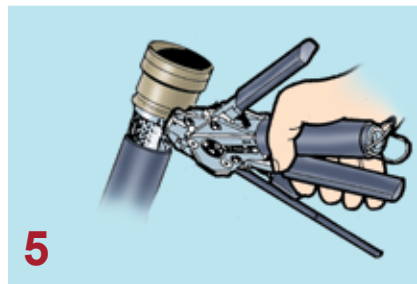
NOTE: Prepared Band should have () Mark visible approximately where shown in Figure 3.

SHIELD TERMINATION CLAMPING

PROCESS: (Figures 4 thru 8):

NOTE: To free Tool Handles, move Holding Clips to center of Tool.

4. Squeeze Gripper Release Lever and insert Band into the front end opening of the Tool. (NOTE: Circular portion of looped band must always face downward.)
5. Aligning the Band and Tool with the Shield Termination Area, squeeze Black Pull-Up Handle repeatedly using short strokes until it locks against Tool Body. (This indicates the Band is compressed to the Tool Precalibrated Tension.)
NOTE: If alignment of band and shield is unsatisfactory, tension on band can be relaxed by pushing on slotted release lever on top of tool. Make adjustments as necessary and again squeeze black pull-up handle..
6. Complete the Clamping Process by squeezing the Gray Cut-Off Handle.
7. Remove excess Band from Tool.
8. Inspect Shield Termination.



IMPORTANT: Always roll band through the buckle slot twice (see Step 3). Bands must be double-coiled to function correctly. The failure to roll the band through the buckle slot twice is the most common user error in band style terminations.

Ten Reasons to Keep Glenair at the Top of Your List of Backshell and Connector Accessory Suppliers



1. We offer the lowest total cost of ownership in the interconnect industry: From our cost-saving "no minimum order" policy to our free product samples and application engineering, Glenair provides the best value in backshells and connector accessories available today.

2. Our full spectrum product lines make for one-stop-shopping: We have the most complete selection of rectangular backshells and accessories in the world, including every Mil-Spec slash number and hundreds of composite designs.

3. We have the largest capacity, broadest capability factory in the business and the knowledge and expertise to handle any production requirement no matter how large or complex.

4. We've provided complete convenience in ordering since 1956 (that's *your* convenience not ours): choose factory direct, your local Glenair office or your favorite distributor.

5. We care as much about quality as you do: We're BSENISO9001 registered in Europe and MIL-I-45208A and Boeing AQS D1-9000 Certified in North America.

6. We have over 35,000 accessory part numbers ready for immediate shipment including every Mil-C-85049 accessory and thousands of Glenair's most popular rectangular and circular backshell part numbers.

7. Our turnaround on quotes and custom orders is the fastest in the industry: We offer 24 hour turnaround on RFQ's and just 2 to 3 weeks on custom orders, including MIL-DTL-83513 Micro-Ds and other rectangular interconnects.

8. We have the largest and most experienced support staff in the business, including sales and engineering in every major aerospace market, on-site application engineering and dedicated product managers for every interconnect discipline.

9. We understand interconnect systems from the ground up: We're the only backshell and accessory supplier to operate a full service harness facility. We even make our own line of assembly tools.

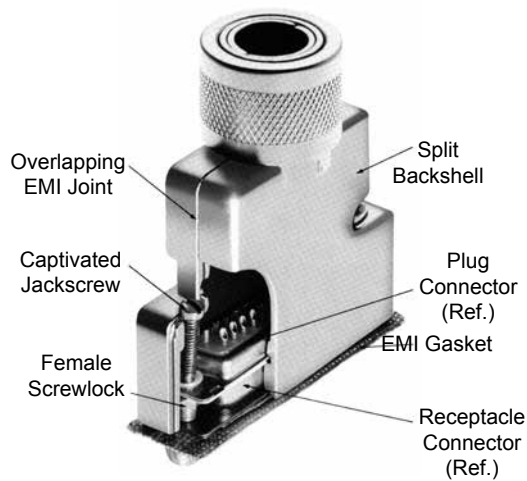
10. We're committed: Backshells and connector accessories are our life. We've served this market since 1956 and we're committed to meeting the evolving needs of our customers—in both the North America and worldwide marketplace .

Glenair: A World of Interconnect Solutions

D-Subminiature Backshells for MIL-C-24308 Connectors

Glenair®

MIL-DTL-24308
D-Subminiature



PRODUCT FEATURES

- Three Optional Cable Entry Locations
- Mechanical and Electrical integrity Maintained by Backshell Entrapment of Connectors
- Split Backshell Designs Provide Easy Assembly and Convenient Service and Maintenance Access
- Wide Selection of Captivated Jackscrews Available
- All Series 55 D-Subminiature Backshells Meet or Exceed FCC Part 15 Subpart J on RS 232, RS 449 and Other Shielding Requirements
- Strain Relief and Shorting Cap Backshells Available

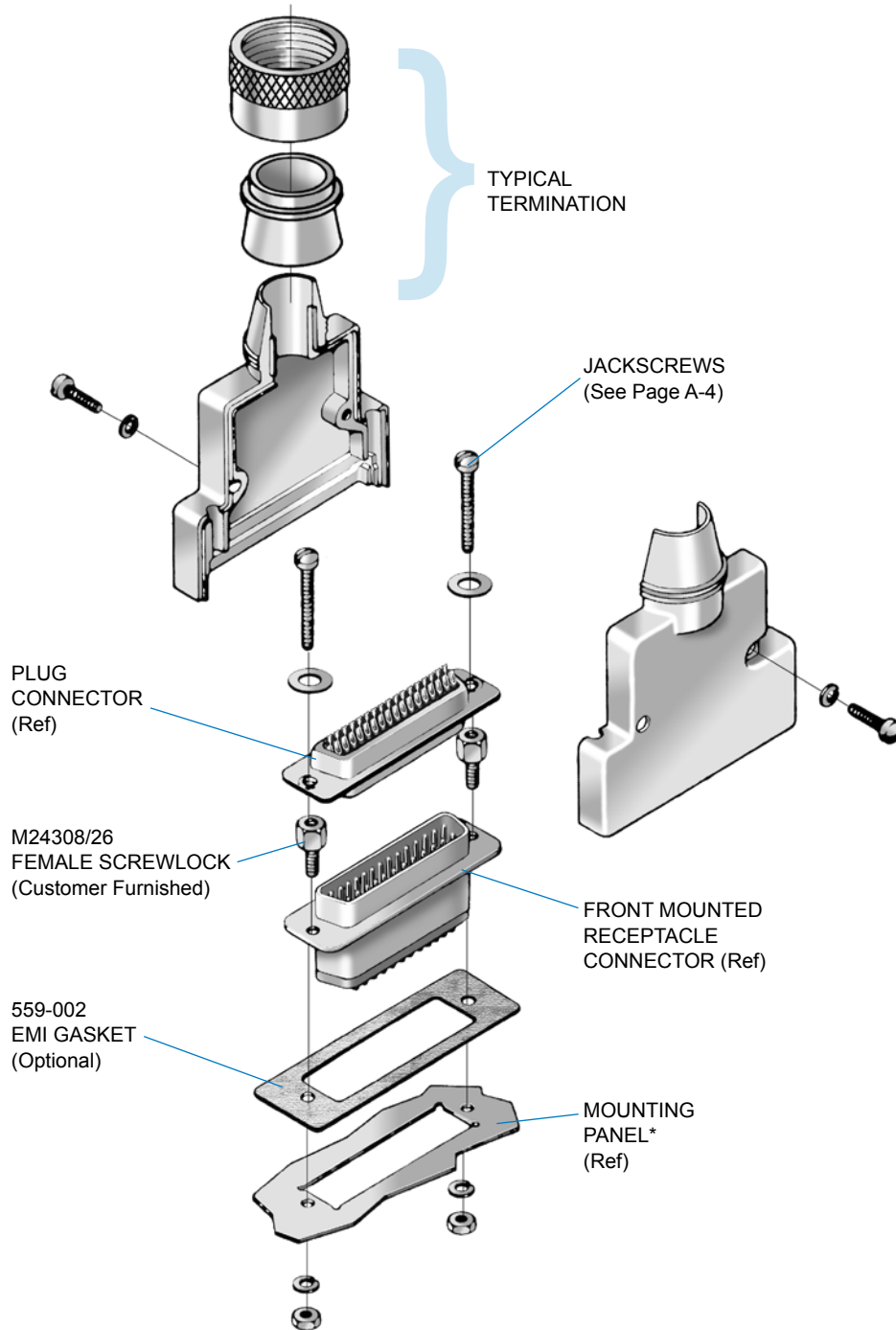
The World's Largest Selection of D-Sub Backshells, Many In-Stock and Ready for Same-Day Shipment *Designed for MIL-C-24308 (D-Subminiature) applications*

Glenair Series 55 Backshells provide total enclosure of mated plug and receptacle connectors for optimum electromagnetic interference (EMI Shielding) and meet MIL-STD-461 or TEMPEST requirements. A variety of cable/harness shield termination options are offered for overall shields and/or individual shielded complexes. All Series 55 EMI backshells meet or exceed the shielding requirements of FCC Part 15 Subpart J on RS 232, RS 449 and similar installations.

Glenair EMI backshell designs offer proven performance in many severe electromagnetic environments. Optional conductive EMI gaskets are available for installation under the receptacle connector flange to further assure EMI shielding effectiveness.



D-Subminiature Backshell Exploded View Cable Mounted Plug Front Mounted Receptacle

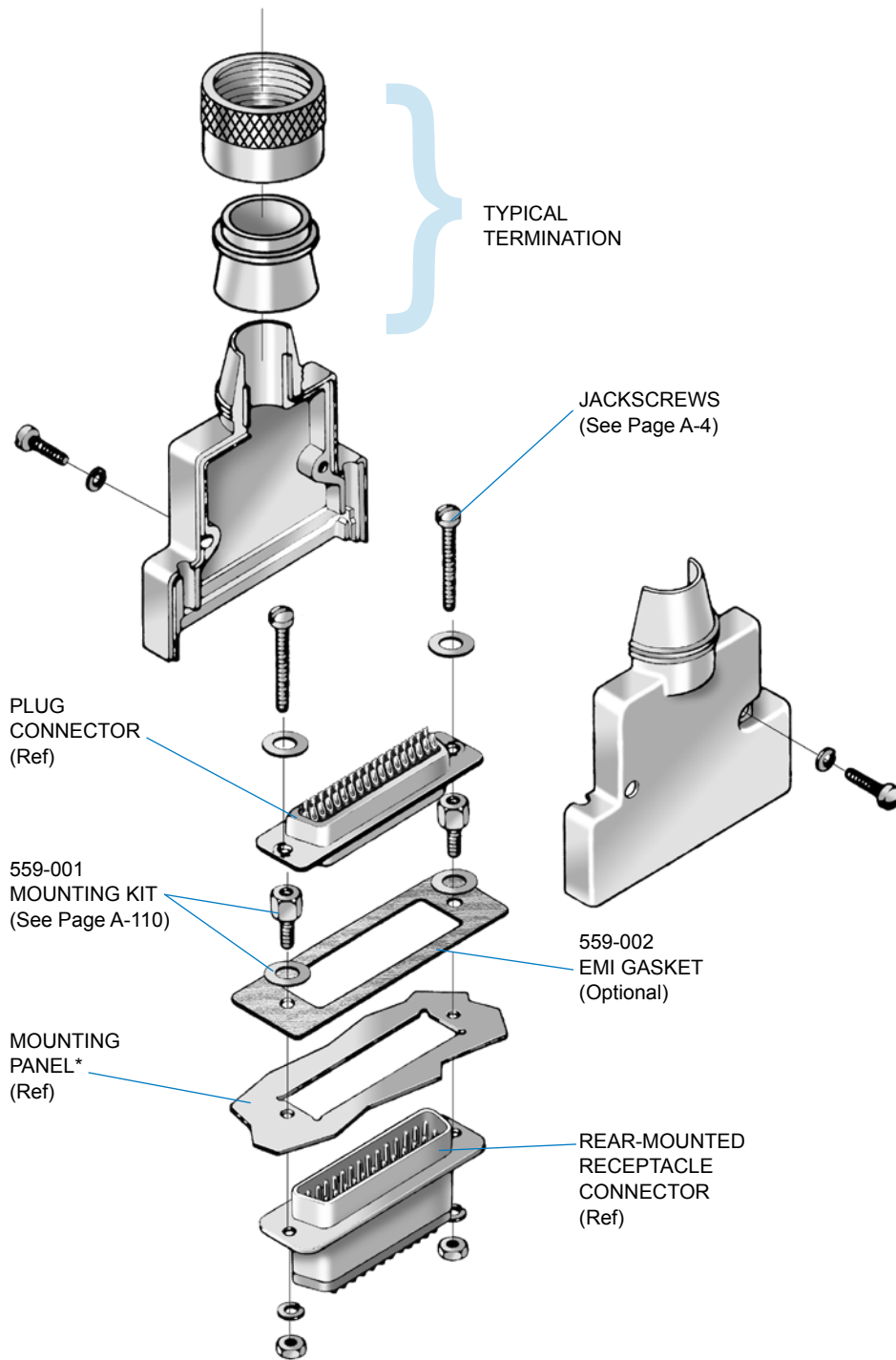


*All components front-mounted in relationship to the panel.

D-Subminiature Backshell Exploded View
Cable Mounted Plug
Rear Mounted Receptacle



MIL-DTL-24308
D-Subminiature



*Note relationship of rear-mounted receptacle to the panel.

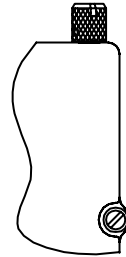


D-Subminiature Backshells Jackscrew Options

JACKSCREW - STYLE E (END ENTRY)

Type J Knurled Slotted Head

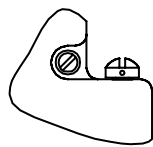
All jackscrews have 4-40 UNC-2A threads to mate with M24308/26 female screwlocks or 559-001 mounting kits. Not applicable for cable-to-cable applications.



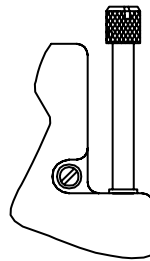
MALE JACKSCREW OPTIONS



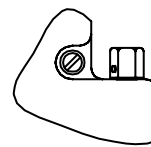
Type B
Fillister Head



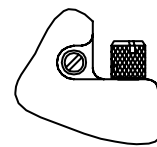
Type D
Drilled
Fillister Head



Type E *
Extended Knurled
Slotted Head



Type H
Hex Head

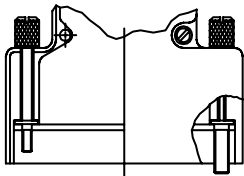


Type K *
Knurled Slotted
Head

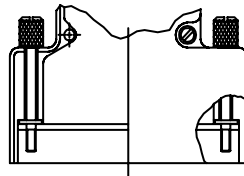
Unless otherwise noted, all jackscrews have 4-40 UNC-2A threads to mate with M24308/26 female screwlocks or 559-001 mounting kits. Not applicable for cable-to-cable applications.

* Not available for Style "E" (end entry backshells).

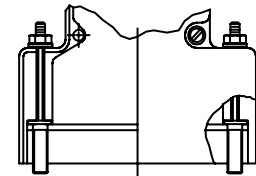
POLARIZING JACKSCREW OPTIONS



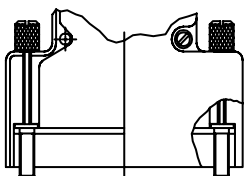
Type F
Turnable Male & Female



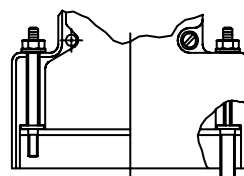
Type M
Turnable Males



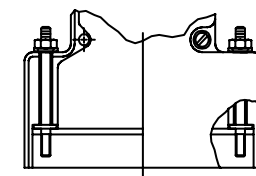
Type P
Fixed Females



Type L
Turnable Females

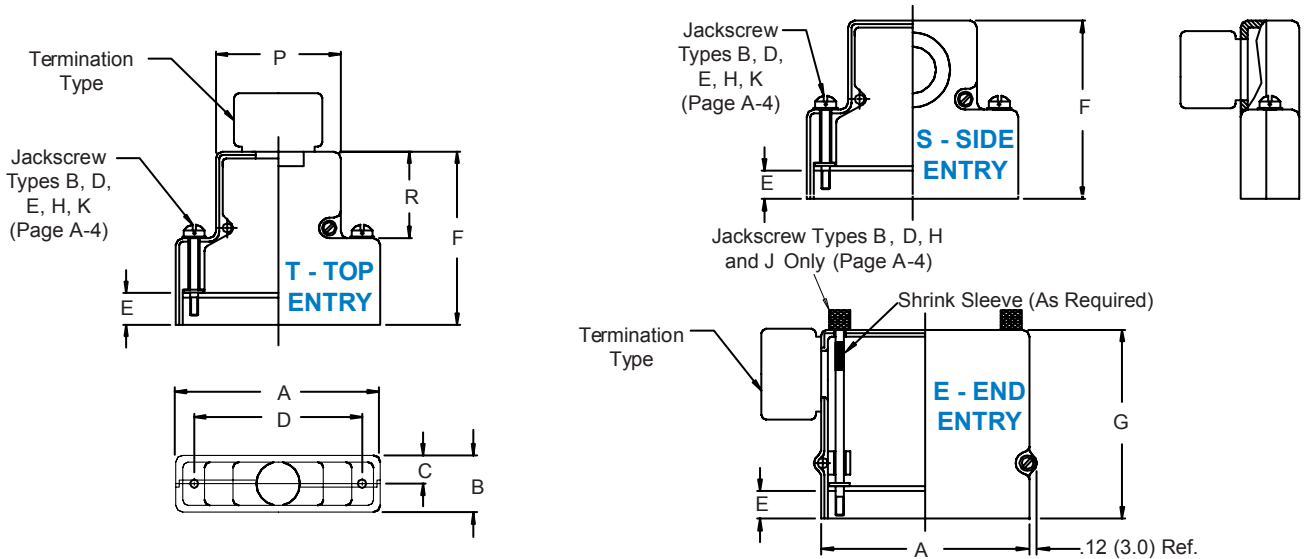


Type N
Fixed Male & Female



Type R
Fixed Males

D-Subminiature Split Backshells Standard Dimensions



COMMON CONNECTOR/SHELL INTERFACE & BACKSHELL DIMENSIONS

Com'l Shell Size	Shell Ref	A Max	B Max	C Ref.	D ±.005 (.1)	P	R Ref
1	E/09	1.393 (35.4)	.624 (15.8)	.312 (7.9)	.984 (25.0)	.730 (18.5)	.719 (18.3)
2	A/15	1.706 (43.3)	.624 (15.8)	.312 (7.9)	1.312 (33.3)	1.050 (26.7)	.719 (18.3)
3	B/25	2.265 (57.5)	.624 (15.8)	.312 (7.9)	1.852 (47.0)	1.594 (40.5)	.938 (23.8)
4	C/37	2.900 (73.7)	.624 (15.8)	.312 (7.9)	2.500 (63.5)	2.240 (56.9)	.938 (23.8)
5	D/50	2.800 (71.1)	.750 (19.1)	.375 (9.5)	2.406 (61.1)	2.140 (54.4)	.938 (23.8)
6	F/104	2.900 (73.7)	.844 (21.4)	.422 (10.7)	2.500 (63.5)	2.240 (56.9)	1.094 (27.8)

CABLE MOUNTING AND BACKSHELL DIMENSIONS

Dash No.	Panel Thickness	E	F ± .031 (0.79)			G ± .031 (0.79)	
			Sizes 1 & 2	Sizes 3 - 5	Size 6	Sizes 1 & 2	Sizes 3 - 5
CC	n/a	.174 (4.4)	1.451 (36.9)	1.671 (42.4)	1.820 (46.2)	1.583 (40.2)	1.831 (46.5)
F0	n/a	.343 (8.7)	1.625 (41.3)	1.844 (46.8)	2.000 (50.8)	1.750 (44.5)	2.000 (50.8)
R1	.031 (.8)	.247 (6.3)	1.525 (38.7)	1.745 (44.3)	1.890 (48.0)	1.656 (42.1)	1.904 (48.4)
R2	.047 (1.2)	.231 (5.9)	1.509 (38.3)	1.728 (43.9)	1.875 (47.6)	1.640 (41.7)	1.888 (48.0)
R3	.062 (1.6)	.216 (5.5)	1.500 (38.1)	1.720 (43.7)	1.860 (47.2)	1.625 (41.3)	1.873 (47.6)
R4	.093 (2.4)	.185 (4.7)	1.470 (37.3)	1.690 (42.9)	1.829 (46.5)	1.594 (40.5)	1.842 (46.8)
R5	.104 (2.6)	.174 (4.4)	1.451 (36.9)	1.671 (42.4)	1.820 (46.2)	1.583 (40.2)	1.831 (46.5)
R6	.125 (3.2)	.153 (3.9)	1.430 (36.3)	1.650 (41.9)	1.798 (45.7)	1.563 (39.7)	1.811 (46.0)
R7	.156 (4.0)	.125 (3.2)	1.400 (35.6)	1.620 (41.1)	1.767 (44.9)	1.531 (38.9)	1.781 (45.2)
R8	.135 (3.4)	.140 (3.6)	1.417 (36.0)	1.637 (41.6)	1.805 (45.8)	1.550 (39.4)	1.798 (45.7)
R9	.188 (4.8)	.094 (2.4)	1.368 (34.7)	1.590 (40.4)	1.740 (44.2)	1.500 (38.1)	1.750 (44.5)

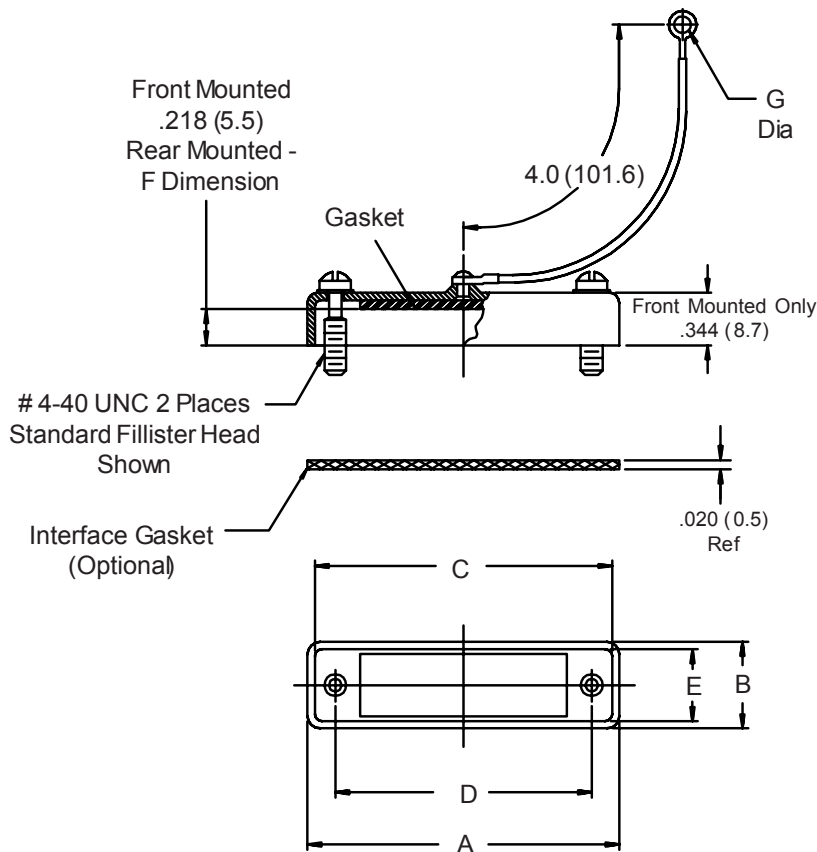
Metric dimensions (mm) are indicated in parentheses.



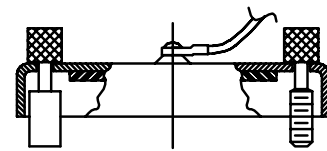
500-008 D-Subminiature Metal Protective Cover

500-008 M 1 R3 G A L -01

- Basic Part Number
- Finish Symbol (Page 3)
- Shell Size (Table I)
- Dash Number (Table II)
Omit for Front Mount
- G = Interface and Seal Gasket
(Omit for Seal Gasket Only)
- = No Seal and No Interface Gasket
- Optional Attachment Diameter
(Table III - Omit for Standard .182 (4.6))
- Attachment Type (Table IV)
- Hardware Options:
 - A = Socket Head
 - F = Male and Female Jackscrew
 - H = Hex Head Screw
 - J = Jackposts
 - K = Knurled Slotted Head
 - M = Extended Knurled Slotted Head
Omit for Standard Fillister Head



Hardware Options



Sym. F
Turnable Male and Female Jackscrews

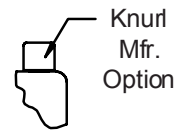


Sym. J
Jackpost

4-40 UNC



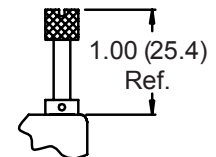
Sym. H
Hex Head Screw



Sym. A
Socket Head



Sym. K
Knurled Slotted Head



Sym. M
Extended Knurled Slotted Head

500-008
D-Subminiature
Metal Protective Cover



MIL-DTL-24308
D-Subminiature

TABLE I: SHELL SIZE

Shell Size	A Max	B Max	C Ref	D		E Ref
				±.005	(.1)	
1	1.39 (35.3)	.51 (13.0)	1.23 (31.2)	.984	(25.0)	.41 (10.4)
2	1.72 (43.7)	.51 (13.0)	1.56 (39.6)	1.312	(33.3)	.41 (10.4)
3	2.26 (57.4)	.51 (13.0)	2.10 (53.3)	1.852	(47.0)	.41 (10.4)
4	2.90 (73.7)	.51 (13.0)	2.74 (69.6)	2.500	(63.5)	.41 (10.4)
5	2.81 (71.4)	.62 (15.7)	2.65 (67.3)	2.406	(61.1)	.52 (13.2)
6	2.90 (73.7)	.68 (17.3)	2.74 (69.6)	2.500	(63.5)	.58 (14.7)

TABLE II: DASH NUMBER

Dash No.	Panel		F
	Thickness		
R1	.031	(.8)	.187 (4.7)
R2	.047	(1.2)	.171 (4.3)
R3	.062	(1.6)	.156 (4.0)
R4	.093	(2.4)	.125 (3.2)
R5	.104	(2.6)	.114 (2.9)
R6	.125	(3.2)	.096 (2.4)
R7	.156	(4.0)	.062 (1.6)
R8	.138	(3.5)	.080 (2.0)

TABLE III: EYELET

Dash No.	G Dia
01	.140 (3.6)
Omit	.182 (4.6)
03	.191 (4.9)
04	.197 (5.0)
05	.167 (4.2)
06	.125 (3.2)
07	.218 (5.5)

TABLE IV: ATTACHMENT

Sym	Attachment Type
D	Bead Chain, Cres, Passivated
Omit	Wire Rope, Nylon Jacket
Z	Nylon Rope
E	Wire Rope Teflon Jacket
L	Attachment Omitted
R	Wire Rope, PVC Jacket
T	Wire Rope, No Jacket
S	#8 Sash Chain, Cres., Passivate
U	Wire Rope, Polyurethane Jacket With Terminal

1. Metric dimensions (mm) are indicated in parentheses.
2. Use with Glenair mounting kit 559-001 (Page A-114).

500-024 M 1
 Basic Part No. _____
 Finish Symbol (Page 3) _____
 Shell Size (Table I) _____

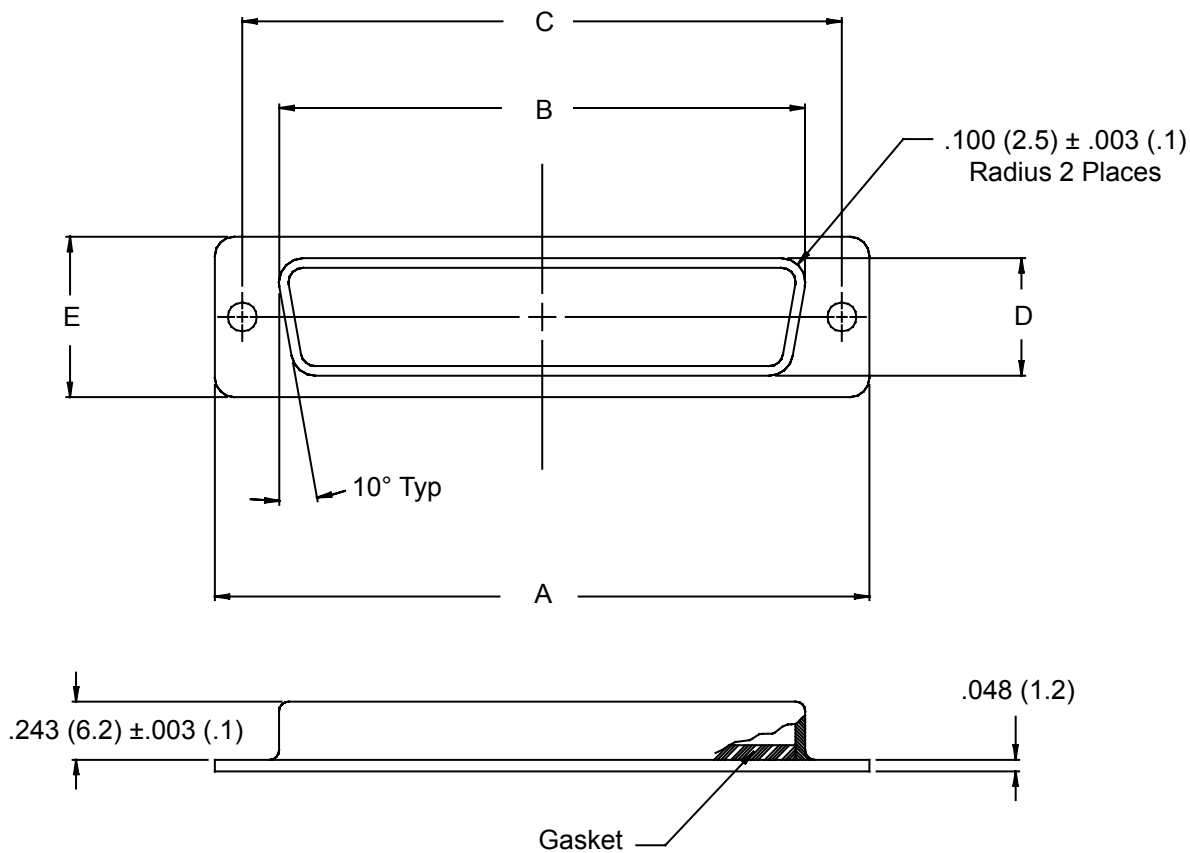
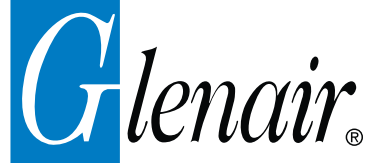


TABLE I: SHELL SIZE & STOWAGE PLUG DIMENSIONS

Shell Size	Com'l Shell Size Ref	A		B		C		D Max	E
		Max	±.005 (.1)	Max	±.005 (.1)	Max	±.005 (.1)		
1	E/09	1.213 (30.8)	.648 (16.5)	.984 (25.0)	.316 (8.0)	.494 (12.5)			
2	A/15	1.541 (39.1)	.976 (24.8)	1.312 (33.3)	.316 (8.0)	.494 (12.5)			
3	B/25	2.088 (53.0)	1.516 (38.5)	1.852 (47.0)	.316 (8.0)	.494 (12.5)			
4	C/37	2.729 (69.3)	2.164 (55.0)	2.500 (63.5)	.316 (8.0)	.494 (12.5)			
5	D/50	2.635 (66.9)	2.069 (52.6)	2.406 (61.1)	.428 (10.9)	.605 (15.4)			
6	F/104	2.729 (69.3)	2.194 (55.7)	2.500 (63.5)	.490 (12.4)	.668 (17.0)			

527-019

EMI/RFI D-Subminiature Split Backshell
for Individual and Overall Shielding with Strain Relief

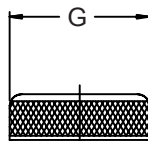


MIL-DTL-24308
D-Subminiature

527-019 M 02 03 R5 F 1 F

- Basic Part No. _____
 - Finish Symbol (Page 3) _____
 - Shell Size _____
 - Dash No. (Table V) _____
 - Receptacle Mounting _____
 - F0 = Front Mounting
 - R1-R5 = Rear Mounting
 - CC = Cable to Cable
- F = Strain Relief, G = Gland Nut
 0 = Without EMI Gasket
 1 = With EMI Gasket
 Jackscrew Type (page A-4)
 Omit if not cable-to-cable
 M = Turnable Males

1. Metric dimensions (mm) are indicated in parentheses.
2. **DO NOT USE CONNECTORS WITH FLOAT MOUNTINGS.**
3. For front mount, mating connector must be mounted to panel using M24308/26 female screwlocks. For rear mount, use Glenair GK134.
4. Individual and overall shield. Thickness range: .031 (.8) to .188 (4.8).



Style G Gland Nut

#4-40 UNC (2 Places)

RFI/EMI Gasket (Optional)

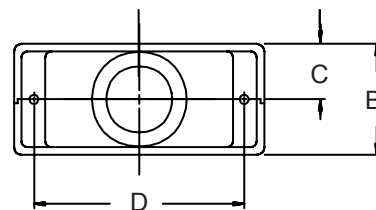
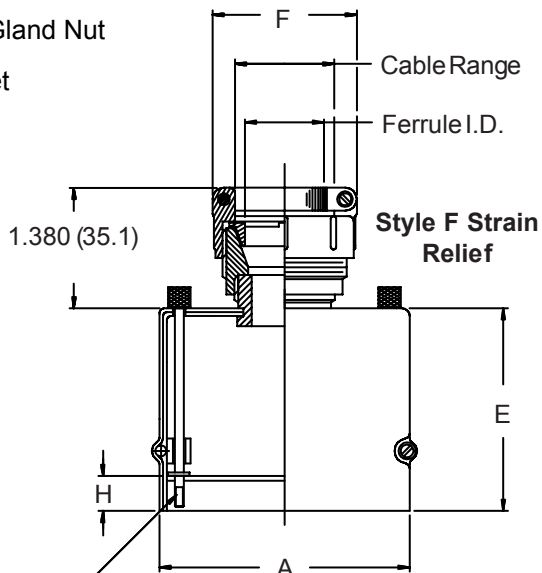


TABLE I: CONNECTOR/SHELL INTERFACE DIMENSIONS

Shell Size	Com'l Shell Size Ref	A Max	B Max	C	D ±.005 (.1)
01	E/09	1.393 (35.4)	.624 (15.8)	.312 (7.9)	.984 (25.0)
02	A/15	1.706 (43.3)	.624 (15.8)	.312 (7.9)	1.312 (33.3)
03	B/25	2.265 (57.5)	.624 (15.8)	.312 (7.9)	1.852 (47.0)
04	C/37	2.900 (73.7)	.624 (15.8)	.312 (7.9)	2.500 (63.5)
05	D/50	2.800 (71.1)	.750 (19.1)	.375 (9.5)	2.406 (61.1)

TABLE II: FRONT MOUNTED RECEPTACLE BACKSHELL DIMENSIONS

Shell Size	Com'l Shell Size Ref	E Dim	H
01	E/09	1.750 (44.5)	.340 (8.6)
02	A/15	1.750 (44.5)	.340 (8.6)
03	B/25	2.000 (50.8)	.343 (8.7)
04	C/37	2.000 (50.8)	.343 (8.7)
05	D/50	2.000 (50.8)	.343 (8.7)

TABLE III: REAR MOUNTED RECEPTACLES BACKSHELL DIMENSIONS

Dash No.	Panel Thickness	H	E Dim	
			Sizes 01 & 02	Sizes 03 - 05
R1	.031 (.8)	.247 (6.3)	1.656 (42.1)	1.904 (48.4)
R2	.062 (1.6)	.216 (5.5)	1.625 (41.3)	1.873 (47.6)
R3	.093 (2.4)	.185 (4.7)	1.594 (40.5)	1.842 (46.8)
R4	.125 (3.2)	.154 (3.9)	1.563 (39.7)	1.811 (46.0)
R5	.047 (1.2)	.231 (5.9)	1.640 (41.7)	1.888 (48.0)

TABLE IV: CABLE TO CABLE DIMENSIONS

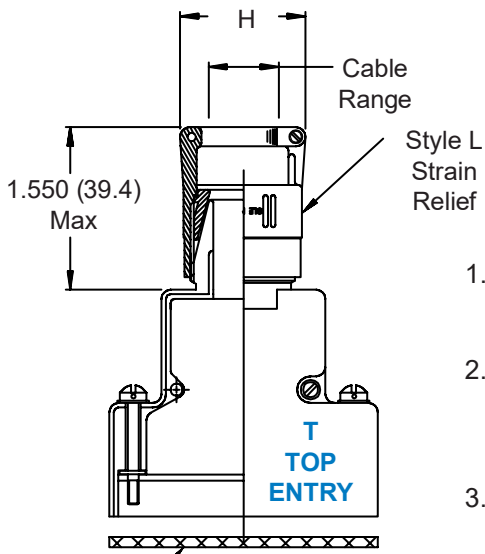
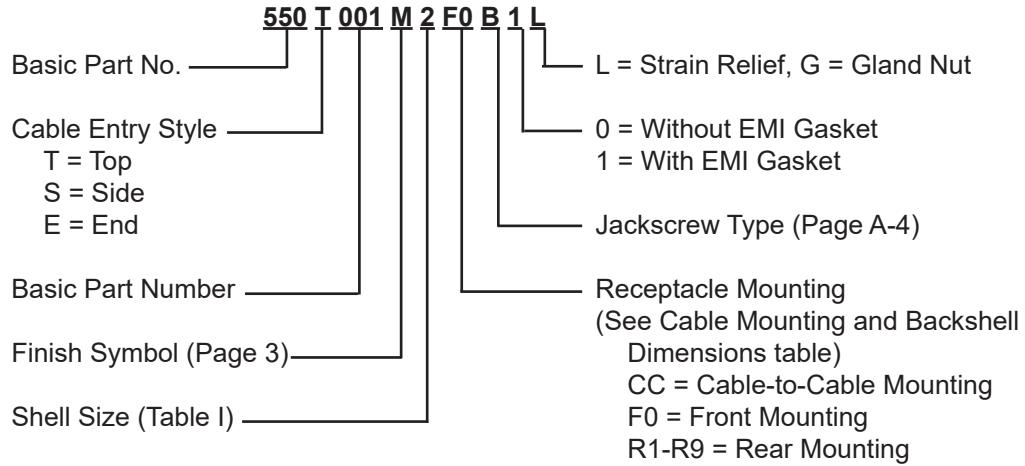
Shell Size	E Dim	H ±.015 (.4)
01	1.580 (40.1)	.185 (4.7)
02	1.580 (40.1)	.185 (4.7)
03	1.830 (46.5)	.187 (4.7)
04	1.830 (46.5)	.187 (4.7)
05	1.830 (46.5)	.187 (4.7)

TABLE V: CABLE ENTRY

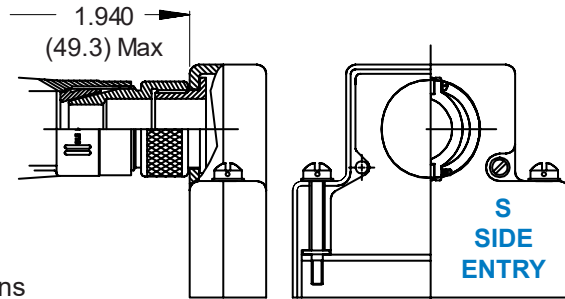
Dash No.	F ±.031 (0.79) Max	G ±.031 (0.79) Max	Ferrule I.D.	Cable Range	
				Min	Max
02	.968 (24.6)	.781 (19.8)	.125 (3.2)	.125 (3.2)	.250 (6.4)
03	1.062 (27.0)	.906 (23.0)	.250 (6.4)	.250 (6.4)	.375 (9.5)
04	1.156 (29.4)	1.031 (26.2)	.375 (9.5)	.312 (7.9)	.500 (12.7)
05	1.218 (30.9)	1.156 (29.4)	.500 (12.7)	.437 (11.1)	.625 (15.9)
06	1.343 (34.1)	1.281 (32.5)	.625 (15.9)	.562 (14.3)	.750 (19.1)



550-001 EMI/RFI D-Subminiature Split Backshell for Individual or Overall Shielding with Strain Relief



EMI Gasket (Optional)



1. Metric dimensions (mm) are indicated in parentheses.
2. **DO NOT USE CONNECTORS WITH FLOAT MOUNTINGS.**
3. Overall shield. Thickness range: 0 to .062 (1.6)

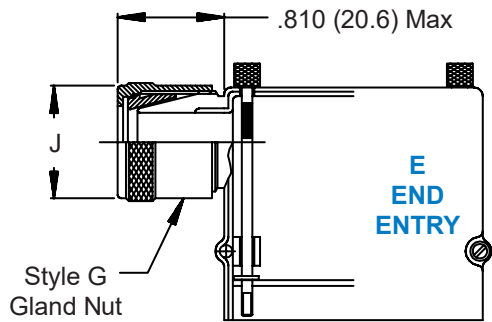


TABLE I: CABLE ENTRY & ENTRY STYLE

Shell Size	Com'l Shell Size Ref	H Max	J Max	Entry Styles S & T Cable Range		Entry Style E Cable Range	
				Min	Max	Min	Max
				1	E/09	1.046 (26.6)	.843 (21.4)
2	A/15	1.046 (26.6)	.843 (21.4)	.250 (6.4)	.375 (9.5)	.250 (6.4)	.375 (9.5)
3	B/25	1.156 (29.4)	.968 (24.6)	.312 (7.9)	.475 (12.1)	.312 (7.9)	.475 (12.1)
4	C/37	1.156 (29.4)	.968 (24.6)	.312 (7.9)	.475 (12.1)	.312 (7.9)	.475 (12.1)
5	D/50	1.218 (30.9)	1.109 (28.2)	.437 (11.1)	.575 (14.6)	.437 (11.1)	.575 (14.6)
6*	F/104	1.594 (40.5)	1.468 (37.3)	.812 (20.6)	1.000 (25.4)	n/a	n/a

* Shell Size 6 Available in Top Entry Only.

D-Subminiature Split Backshells Standard Dimensions

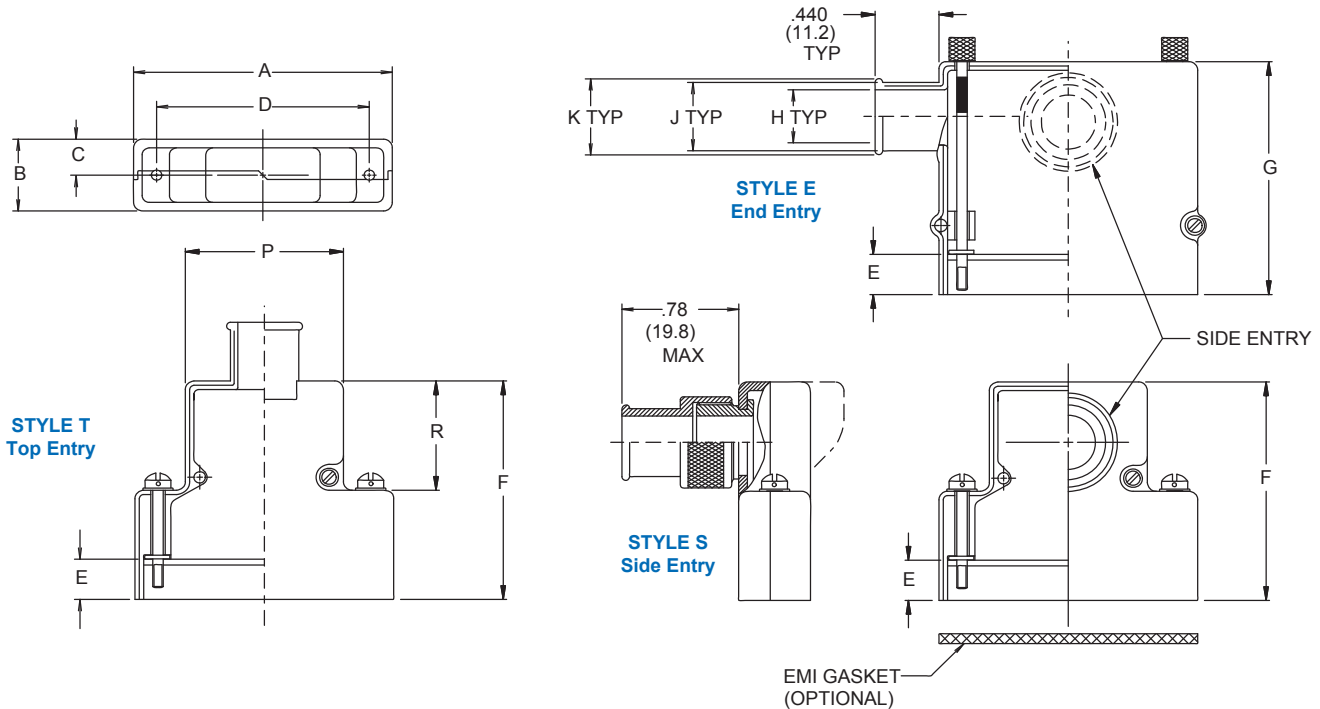


Table I: Common Connector/Shell Interface and Backshell Dimensions

Shell Size	Com'l Shell Size Ref.	A Max.		B Max.		C		D ±.005 (.1)		P		R Ref.	
		In.	mm	In.	mm	In.	mm	In.	mm	In.	mm	In.	mm
1	E/09	1.393	35.4	.624	15.8	.624	7.9	.984	25.0	.730	18.5	.719	18.3
2	A/15	1.706	43.3	.624	15.8	.624	7.9	1.312	33.3	1.050	26.7	.719	18.3
3	B/25	2.265	57.5	.624	15.8	.624	7.9	1.852	47.0	1.594	40.5	.938	23.8
4	C/37	2.900	73.7	.624	15.8	.624	7.9	2.500	63.5	2.240	56.9	.938	23.8
5	D/50	2.800	73.1	.750	19.1	.750	9.5	2.406	61.1	2.140	54.4	.938	23.8
6	F/104	2.900	73.7	.844	21.4	.844	10.7	2.500	63.5	2.240	56.9	1.094	27.8

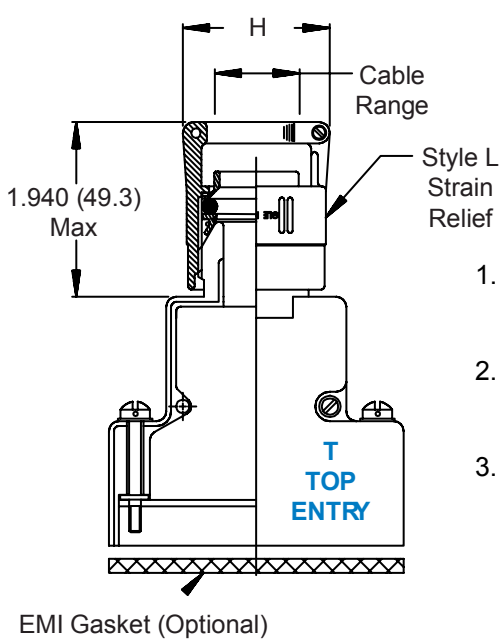
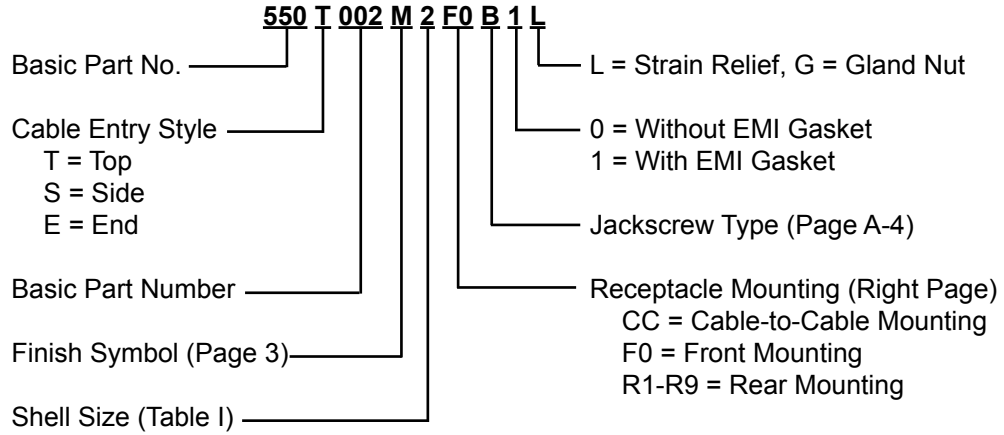
Table III: Cable Mounting and Backshell Dimensions

Dash No.	Panel Thickness		E		F									
					Size 1 and 2		Size 3-5		Size 6		Size 1 and 2		Size 3-6	
	In.	mm	In.	mm	In.	mm	In.	mm	In.	mm	In.	mm	In.	mm
CC	N/A		.185	4.7	1.467	37.3	1.686	42.8	1.842	46.8	1.592	40.4	1.842	46.8
F0	N/A		.343	8.7	1.625	41.3	1.844	46.8	2.000	50.8	1.750	44.5	2.000	50.8
R1	.031	.8	.247	6.3	1.529	38.8	1.748	44.4	1.904	48.4	1.654	42.0	1.904	48.4
R2	.047	1.2	.231	5.9	1.513	38.4	1.732	44.0	1.888	48.0	1.638	41.6	1.888	48.0
R3	.062	1.6	.216	5.5	1.498	38.0	1.717	43.6	1.873	47.6	1.623	41.2	1.873	47.6
R4	.093	2.4	.185	4.7	1.467	37.3	1.686	42.8	1.842	46.8	1.592	40.4	1.842	46.8
R5	.104	2.6	.174	4.4	1.456	37.0	1.675	42.5	1.831	46.5	1.581	40.2	1.831	46.5
R6	.125	3.2	.153	3.9	1.435	36.4	1.654	42.0	1.810	46.0	1.560	39.6	1.810	46.0
R7	.156	4.0	.125	3.2	1.407	35.7	1.626	41.3	1.782	45.3	1.532	38.9	1.782	45.3
R8	.135	3.4	.140	3.6	1.422	36.1	1.641	41.7	1.797	45.7	1.547	39.3	1.797	45.7
R9	.188	4.8	.094	2.4	1.376	34.9	1.595	40.5	1.751	44.5	1.501	38.1	1.751	44.5

Metric dimensions (mm) are indicated in parentheses.



550-002
Environment Resisting EMI/RFI
D-Subminiature Strain-Relief Split Backshell
for Overall Shielding



1. Metric dimensions (mm) are indicated in parentheses.
2. **DO NOT USE CONNECTORS WITH FLOAT MOUNTINGS.**
3. Overall shield. Thickness range: 0 to .062 (1.6)

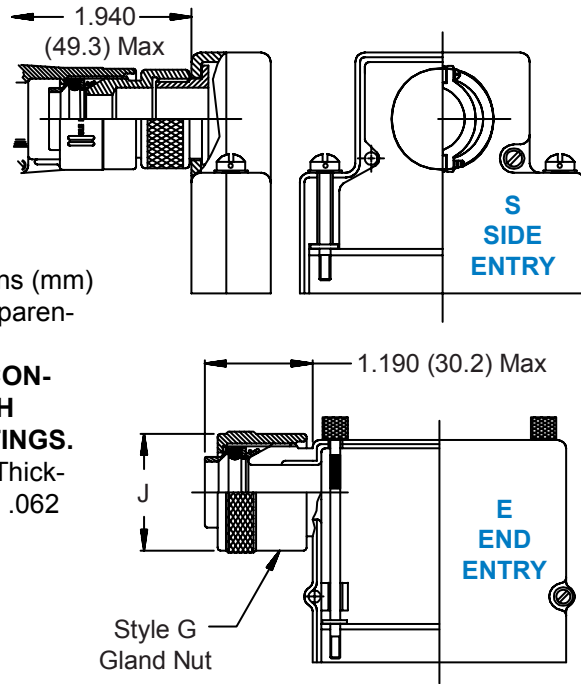
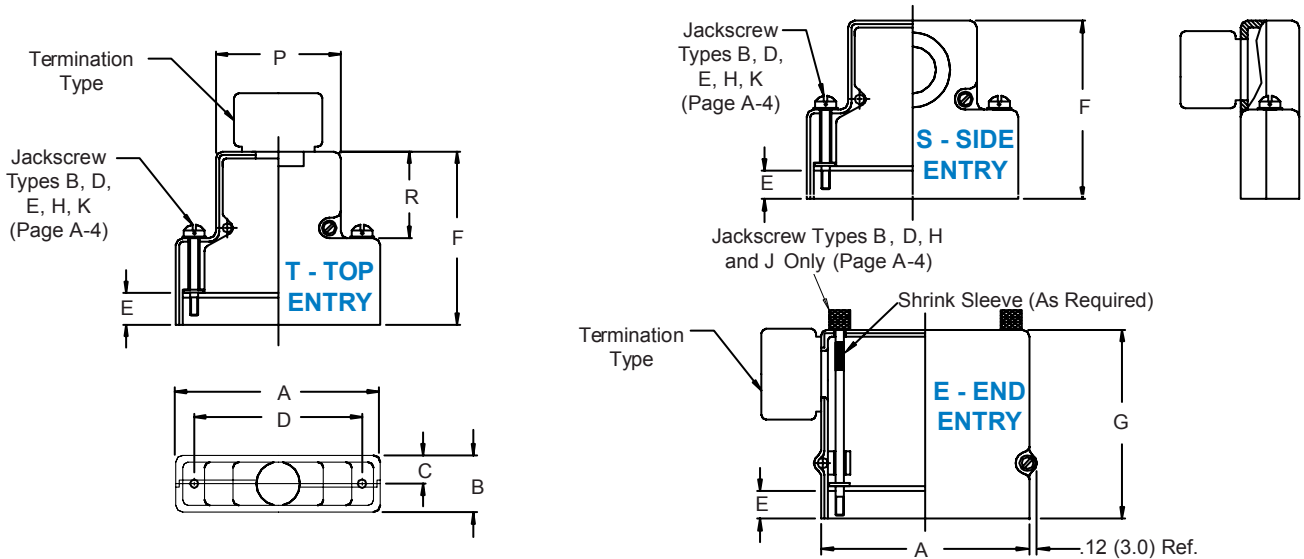


TABLE I: CABLE ENTRY & ENTRY STYLE

Shell Size	Com'l Shell Size Ref	H Max	J Max	Entry Styles S & T Cable Range		Entry Style E Cable Range	
				Min	Max	Min	Max
1	E/09	1.046 (26.6)	.843 (21.4)	.125 (3.2)	.250 (6.4)	.250 (6.4)	.375 (9.5)
2	A/15	1.046 (26.6)	.843 (21.4)	.250 (6.4)	.375 (9.5)	.250 (6.4)	.375 (9.5)
3	B/25	1.156 (29.4)	.968 (24.6)	.312 (7.9)	.475 (12.1)	.312 (7.9)	.475 (12.1)
4	C/37	1.156 (29.4)	.968 (24.6)	.312 (7.9)	.475 (12.1)	.312 (7.9)	.475 (12.1)
5	D/50	1.218 (30.9)	1.109 (28.2)	.437 (11.1)	.575 (14.6)	.437 (11.1)	.575 (14.6)
6*	F/104	1.594 (40.5)	1.468 (37.3)	.812 (20.6)	1.000 (25.4)	n/a	n/a

* Shell Size 6 Available in Top Entry Only.

D-Subminiature Split Backshells Standard Dimensions



COMMON CONNECTOR/SHELL INTERFACE & BACKSHELL DIMENSIONS

Com'l Shell Size	Shell Ref	A Max	B Max	C Ref.	D ±.005 (.1)	P	R Ref
1	E/09	1.393 (35.4)	.624 (15.8)	.312 (7.9)	.984 (25.0)	.730 (18.5)	.719 (18.3)
2	A/15	1.706 (43.3)	.624 (15.8)	.312 (7.9)	1.312 (33.3)	1.050 (26.7)	.719 (18.3)
3	B/25	2.265 (57.5)	.624 (15.8)	.312 (7.9)	1.852 (47.0)	1.594 (40.5)	.938 (23.8)
4	C/37	2.900 (73.7)	.624 (15.8)	.312 (7.9)	2.500 (63.5)	2.240 (56.9)	.938 (23.8)
5	D/50	2.800 (71.1)	.750 (19.1)	.375 (9.5)	2.406 (61.1)	2.140 (54.4)	.938 (23.8)
6	F/104	2.900 (73.7)	.844 (21.4)	.422 (10.7)	2.500 (63.5)	2.240 (56.9)	1.094 (27.8)

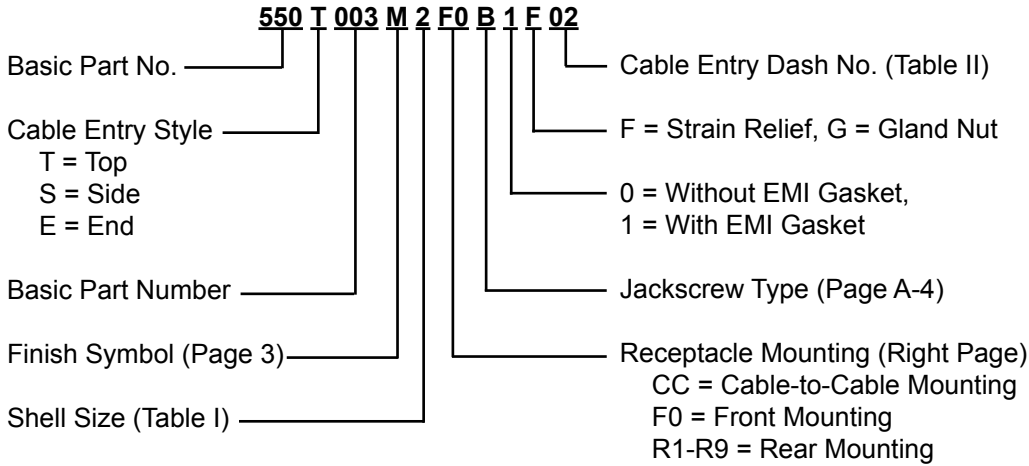
CABLE MOUNTING AND BACKSHELL DIMENSIONS

Dash No.	Panel Thickness	E	F ± .031 (0.79)			G ± .031 (0.79)	
			Sizes 1 & 2	Sizes 3 - 5	Size 6	Sizes 1 & 2	Sizes 3 - 5
CC	n/a	.174 (4.4)	1.451 (36.9)	1.671 (42.4)	1.820 (46.2)	1.583 (40.2)	1.831 (46.5)
F0	n/a	.343 (8.7)	1.625 (41.3)	1.844 (46.8)	2.000 (50.8)	1.750 (44.5)	2.000 (50.8)
R1	.031 (.8)	.247 (6.3)	1.525 (38.7)	1.745 (44.3)	1.890 (48.0)	1.656 (42.1)	1.904 (48.4)
R2	.047 (1.2)	.231 (5.9)	1.509 (38.3)	1.728 (43.9)	1.875 (47.6)	1.640 (41.7)	1.888 (48.0)
R3	.062 (1.6)	.216 (5.5)	1.500 (38.1)	1.720 (43.7)	1.860 (47.2)	1.625 (41.3)	1.873 (47.6)
R4	.093 (2.4)	.185 (4.7)	1.470 (37.3)	1.690 (42.9)	1.829 (46.5)	1.594 (40.5)	1.842 (46.8)
R5	.104 (2.6)	.174 (4.4)	1.451 (36.9)	1.671 (42.4)	1.820 (46.2)	1.583 (40.2)	1.831 (46.5)
R6	.125 (3.2)	.153 (3.9)	1.430 (36.3)	1.650 (41.9)	1.798 (45.7)	1.563 (39.7)	1.811 (46.0)
R7	.156 (4.0)	.125 (3.2)	1.400 (35.6)	1.620 (41.1)	1.767 (44.9)	1.531 (38.9)	1.781 (45.2)
R8	.135 (3.4)	.140 (3.6)	1.417 (36.0)	1.637 (41.6)	1.805 (45.8)	1.550 (39.4)	1.798 (45.7)
R9	.188 (4.8)	.094 (2.4)	1.368 (34.7)	1.590 (40.4)	1.740 (44.2)	1.500 (38.1)	1.750 (44.5)

Metric dimensions (mm) are indicated in parentheses.



550-003
EMI/RFI D-Subminiature
Strain-Relief Split Backshell
for Individual and Overall Shielding



1. Metric dimensions (mm) are indicated in parentheses.
2. **DO NOT USE CONNECTORS WITH FLOAT MOUNTINGS.**
3. Individual and overall shield. Thickness range: .031 (.8) to .188 (4.8).

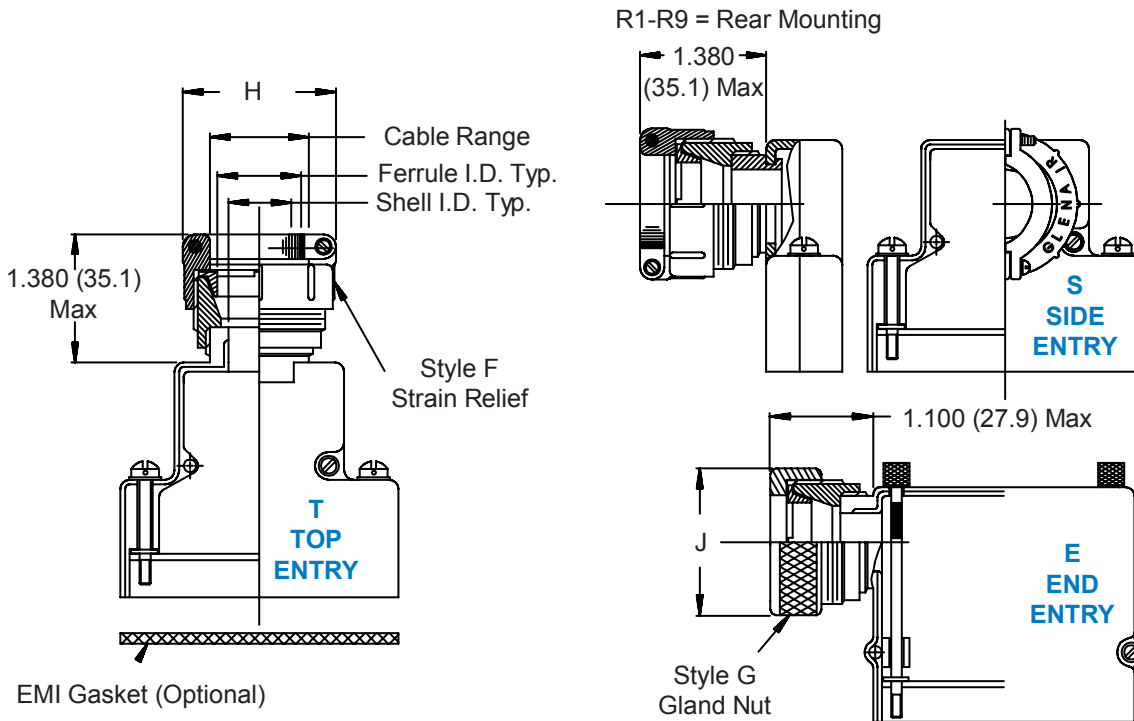


TABLE I: SHELL SIZE & ENTRY

Shell Size	Com'l Shell Size Ref	Entry Style	
		T (Ref) Shell I.D.	E Shell I.D.
1	E/09	.250 (6.4)	.375 (9.5)
2	A/15	.375 (9.5)	.375 (9.5)
3	B/25	.475 (12.1)	.475 (12.1)
4	C/37	.475 (12.1)	.475 (12.1)
5	D/50	.575 (14.6)	.575 (14.6)
6*	F/104	1.000 (25.4)	n/a

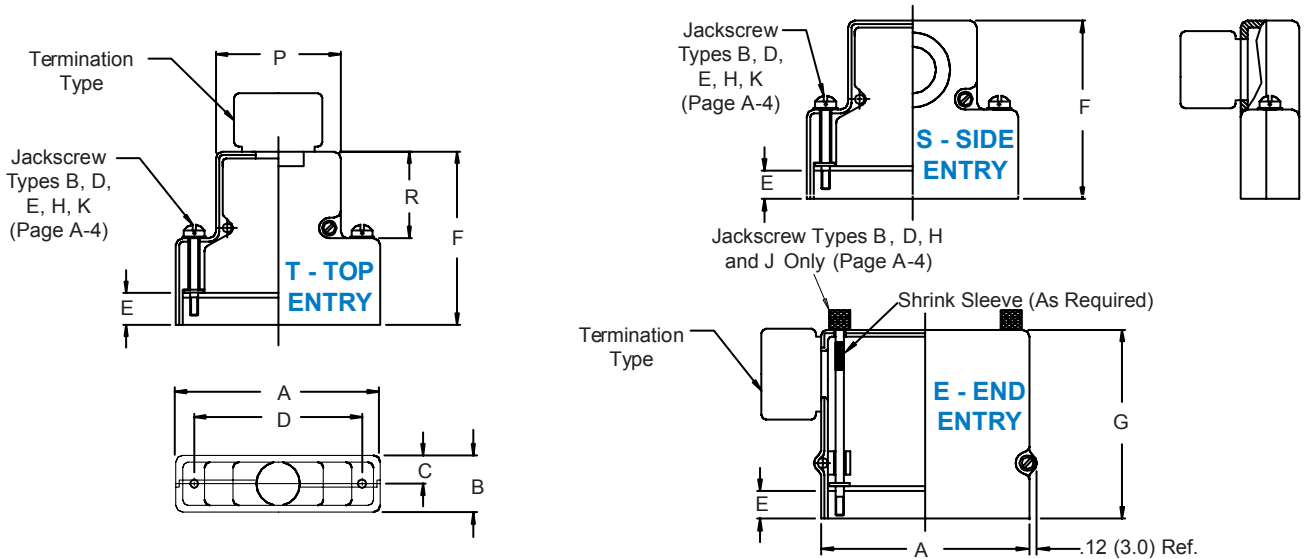
* Shell Size 6 Available in Top Entry Only.

TABLE II: BACKSHELL DIMENSIONS & CABLE ENTRY

Dash No.	H Max	J Max	Cable Range		Ferrule I.D.
			Min	Max	
02	.968 (24.6)	.781 (19.8)	.125 (3.2)	.250 (6.4)	.125 (3.2)
03	1.046 (26.6)	.906 (23.0)	.250 (6.4)	.375 (9.5)	.250 (6.4)
04	1.156 (29.4)	1.031 (26.2)	.312 (7.9)	.500 (12.7)	.375 (9.5)
05	1.218 (30.9)	1.156 (29.4)	.437 (11.1)	.625 (15.9)	.500 (12.7)
06	1.343 (34.1)	1.281 (32.5)	.562 (14.3)	.750 (19.1)	.625 (15.9)
07*	1.468 (37.3)	1.406 (35.7)	.687 (17.4)	.875 (22.2)	.750 (19.1)
08*	1.593 (40.5)	1.531 (38.9)	.812 (20.6)	1.000 (25.4)	.875 (22.2)

* Available in Shell Size 6 Only

D-Subminiature Split Backshells Standard Dimensions



COMMON CONNECTOR/SHELL INTERFACE & BACKSHELL DIMENSIONS

Com'l Shell Size	Shell Ref	A Max	B Max	C Ref.	D ±.005 (.1)	P	R Ref
1	E/09	1.393 (35.4)	.624 (15.8)	.312 (7.9)	.984 (25.0)	.730 (18.5)	.719 (18.3)
2	A/15	1.706 (43.3)	.624 (15.8)	.312 (7.9)	1.312 (33.3)	1.050 (26.7)	.719 (18.3)
3	B/25	2.265 (57.5)	.624 (15.8)	.312 (7.9)	1.852 (47.0)	1.594 (40.5)	.938 (23.8)
4	C/37	2.900 (73.7)	.624 (15.8)	.312 (7.9)	2.500 (63.5)	2.240 (56.9)	.938 (23.8)
5	D/50	2.800 (71.1)	.750 (19.1)	.375 (9.5)	2.406 (61.1)	2.140 (54.4)	.938 (23.8)
6	F/104	2.900 (73.7)	.844 (21.4)	.422 (10.7)	2.500 (63.5)	2.240 (56.9)	1.094 (27.8)

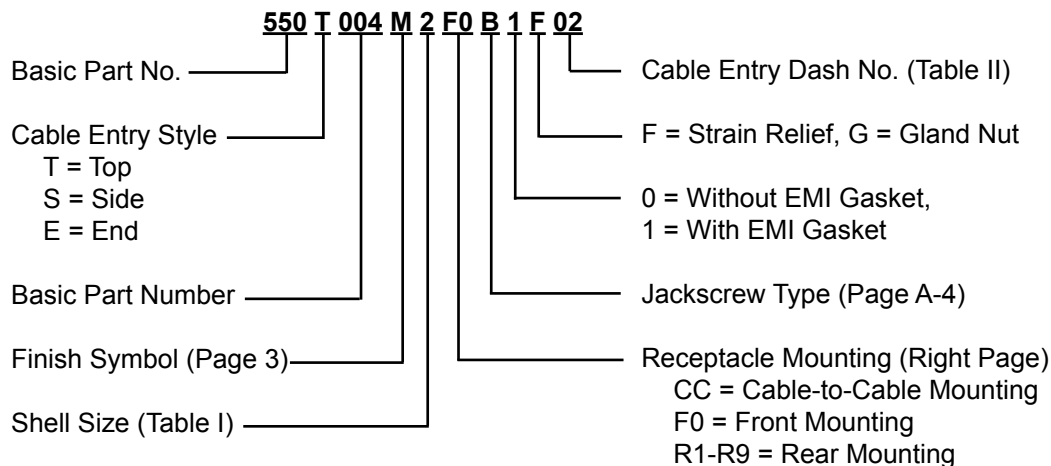
CABLE MOUNTING AND BACKSHELL DIMENSIONS

Dash No.	Panel Thickness	E	F ± .031 (0.79)			G ± .031 (0.79)	
			Sizes 1 & 2	Sizes 3 - 5	Size 6	Sizes 1 & 2	Sizes 3 - 5
CC	n/a	.174 (4.4)	1.451 (36.9)	1.671 (42.4)	1.820 (46.2)	1.583 (40.2)	1.831 (46.5)
F0	n/a	.343 (8.7)	1.625 (41.3)	1.844 (46.8)	2.000 (50.8)	1.750 (44.5)	2.000 (50.8)
R1	.031 (.8)	.247 (6.3)	1.525 (38.7)	1.745 (44.3)	1.890 (48.0)	1.656 (42.1)	1.904 (48.4)
R2	.047 (1.2)	.231 (5.9)	1.509 (38.3)	1.728 (43.9)	1.875 (47.6)	1.640 (41.7)	1.888 (48.0)
R3	.062 (1.6)	.216 (5.5)	1.500 (38.1)	1.720 (43.7)	1.860 (47.2)	1.625 (41.3)	1.873 (47.6)
R4	.093 (2.4)	.185 (4.7)	1.470 (37.3)	1.690 (42.9)	1.829 (46.5)	1.594 (40.5)	1.842 (46.8)
R5	.104 (2.6)	.174 (4.4)	1.451 (36.9)	1.671 (42.4)	1.820 (46.2)	1.583 (40.2)	1.831 (46.5)
R6	.125 (3.2)	.153 (3.9)	1.430 (36.3)	1.650 (41.9)	1.798 (45.7)	1.563 (39.7)	1.811 (46.0)
R7	.156 (4.0)	.125 (3.2)	1.400 (35.6)	1.620 (41.1)	1.767 (44.9)	1.531 (38.9)	1.781 (45.2)
R8	.135 (3.4)	.140 (3.6)	1.417 (36.0)	1.637 (41.6)	1.805 (45.8)	1.550 (39.4)	1.798 (45.7)
R9	.188 (4.8)	.094 (2.4)	1.368 (34.7)	1.590 (40.4)	1.740 (44.2)	1.500 (38.1)	1.750 (44.5)

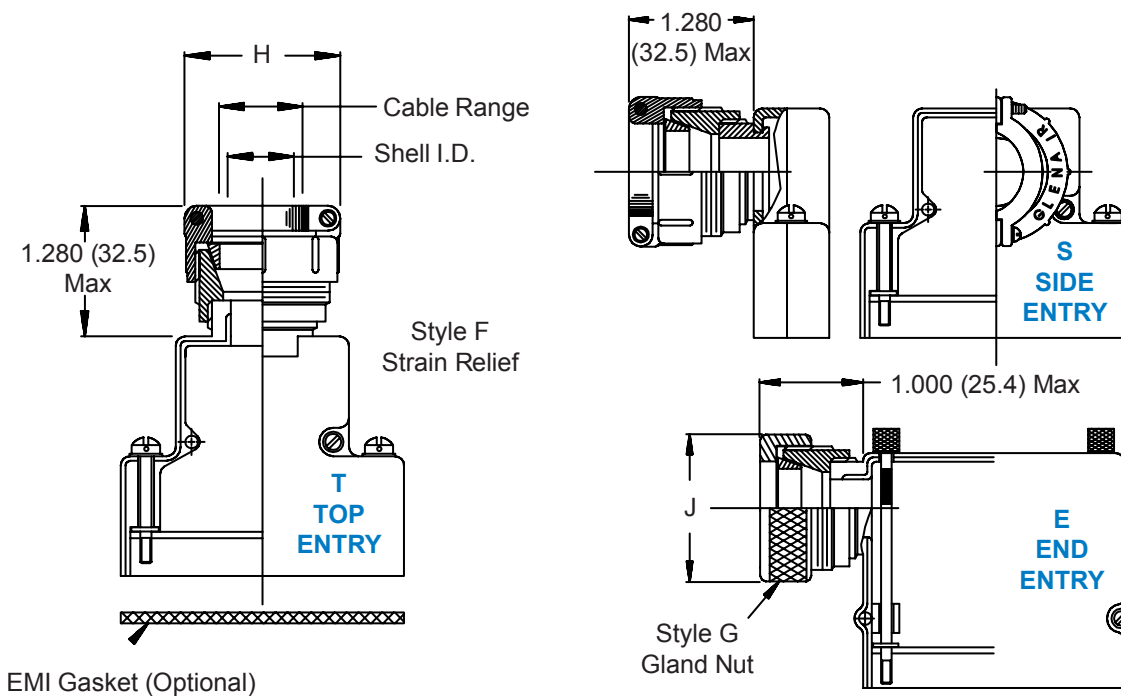
Metric dimensions (mm) are indicated in parentheses.



550-004 EMI/RFI D-Subminiature Split Backshells for Individual or Overall Shielding with Strain Relief



1. Metric dimensions (mm) are indicated in parentheses.
2. **DO NOT USE CONNECTORS WITH FLOAT MOUNTINGS.**
3. Overall shield thickness range:
Max to .062 (1.6).



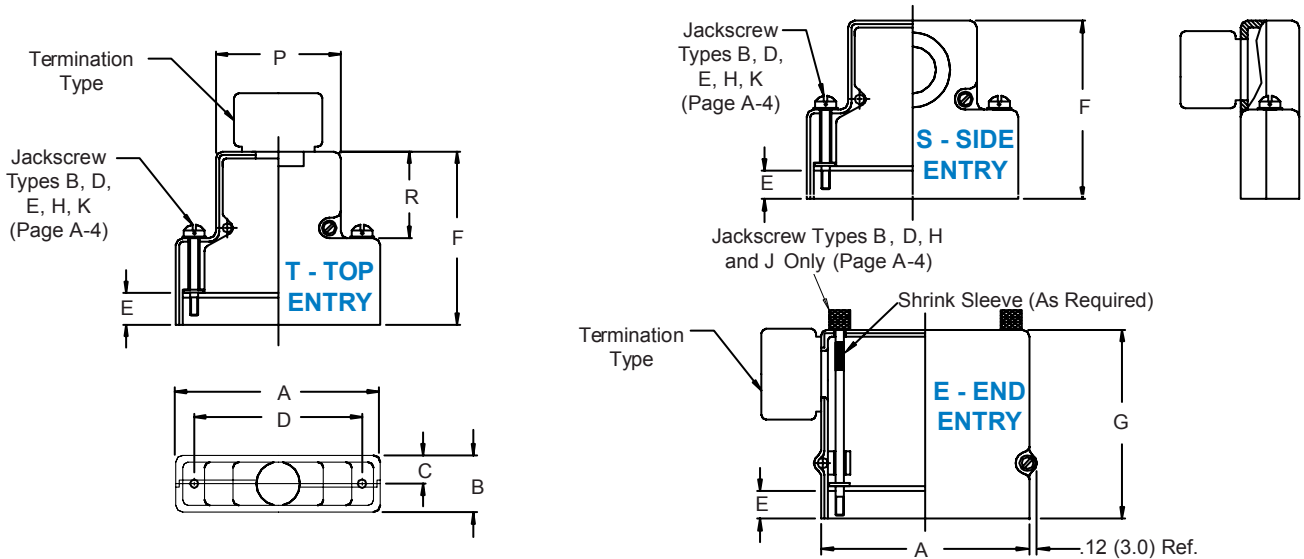
Shell Size	Com'l Shell Size Ref	Entry Style T (Ref) Shell I.D.	Entry Style E Shell I.D.
1	E/09	.250 (6.4)	.375 (9.5)
2	A/15	.375 (9.5)	.375 (9.5)
3	B/25	.475 (12.1)	.475 (12.1)
4	C/37	.475 (12.1)	.475 (12.1)
5	D/50	.575 (14.6)	.575 (14.6)
6 *	F/104	1.000 (25.4)	n/a

* Shell Size 6 Available in Top Entry Only.

Dash No.	H Max	J Max	Cable Range	
			Min	Max
02	.968 (24.6)	.781 (19.8)	.125 (3.2)	.250 (6.4)
03	1.046 (26.6)	.906 (23.0)	.250 (6.4)	.375 (9.5)
04	1.156 (29.4)	1.031 (26.2)	.312 (7.9)	.500 (12.7)
05	1.218 (30.9)	1.156 (29.4)	.437 (11.1)	.625 (15.9)
06	1.343 (34.1)	1.281 (32.5)	.562 (14.3)	.750 (19.1)
07*	1.468 (37.3)	1.406 (35.7)	.687 (17.4)	.875 (22.2)
08*	1.593 (40.5)	1.531 (38.9)	.812 (20.6)	1.000 (25.4)

* Available in Shell Size 6 Only

D-Subminiature Split Backshells Standard Dimensions



COMMON CONNECTOR/SHELL INTERFACE & BACKSHELL DIMENSIONS

Com'l Shell Size	Shell Ref	A Max	B Max	C Ref.	D ±.005 (.1)	P	R Ref
1	E/09	1.393 (35.4)	.624 (15.8)	.312 (7.9)	.984 (25.0)	.730 (18.5)	.719 (18.3)
2	A/15	1.706 (43.3)	.624 (15.8)	.312 (7.9)	1.312 (33.3)	1.050 (26.7)	.719 (18.3)
3	B/25	2.265 (57.5)	.624 (15.8)	.312 (7.9)	1.852 (47.0)	1.594 (40.5)	.938 (23.8)
4	C/37	2.900 (73.7)	.624 (15.8)	.312 (7.9)	2.500 (63.5)	2.240 (56.9)	.938 (23.8)
5	D/50	2.800 (71.1)	.750 (19.1)	.375 (9.5)	2.406 (61.1)	2.140 (54.4)	.938 (23.8)
6	F/104	2.900 (73.7)	.844 (21.4)	.422 (10.7)	2.500 (63.5)	2.240 (56.9)	1.094 (27.8)

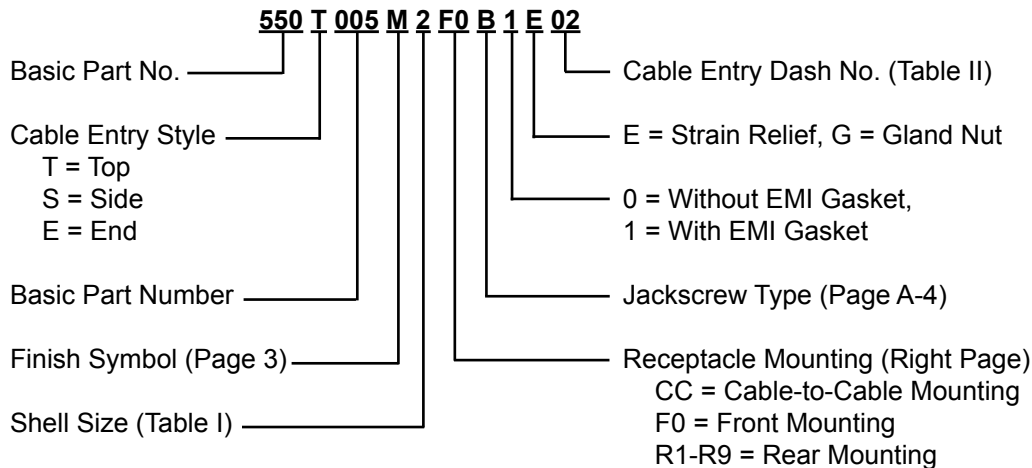
CABLE MOUNTING AND BACKSHELL DIMENSIONS

Dash No.	Panel Thickness	E	F ± .031 (0.79)			G ± .031 (0.79)	
			Sizes 1 & 2	Sizes 3 - 5	Size 6	Sizes 1 & 2	Sizes 3 - 5
CC	n/a	.174 (4.4)	1.451 (36.9)	1.671 (42.4)	1.820 (46.2)	1.583 (40.2)	1.831 (46.5)
F0	n/a	.343 (8.7)	1.625 (41.3)	1.844 (46.8)	2.000 (50.8)	1.750 (44.5)	2.000 (50.8)
R1	.031 (.8)	.247 (6.3)	1.525 (38.7)	1.745 (44.3)	1.890 (48.0)	1.656 (42.1)	1.904 (48.4)
R2	.047 (1.2)	.231 (5.9)	1.509 (38.3)	1.728 (43.9)	1.875 (47.6)	1.640 (41.7)	1.888 (48.0)
R3	.062 (1.6)	.216 (5.5)	1.500 (38.1)	1.720 (43.7)	1.860 (47.2)	1.625 (41.3)	1.873 (47.6)
R4	.093 (2.4)	.185 (4.7)	1.470 (37.3)	1.690 (42.9)	1.829 (46.5)	1.594 (40.5)	1.842 (46.8)
R5	.104 (2.6)	.174 (4.4)	1.451 (36.9)	1.671 (42.4)	1.820 (46.2)	1.583 (40.2)	1.831 (46.5)
R6	.125 (3.2)	.153 (3.9)	1.430 (36.3)	1.650 (41.9)	1.798 (45.7)	1.563 (39.7)	1.811 (46.0)
R7	.156 (4.0)	.125 (3.2)	1.400 (35.6)	1.620 (41.1)	1.767 (44.9)	1.531 (38.9)	1.781 (45.2)
R8	.135 (3.4)	.140 (3.6)	1.417 (36.0)	1.637 (41.6)	1.805 (45.8)	1.550 (39.4)	1.798 (45.7)
R9	.188 (4.8)	.094 (2.4)	1.368 (34.7)	1.590 (40.4)	1.740 (44.2)	1.500 (38.1)	1.750 (44.5)

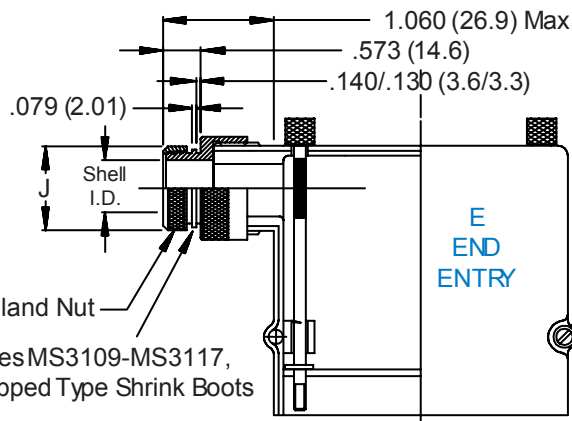
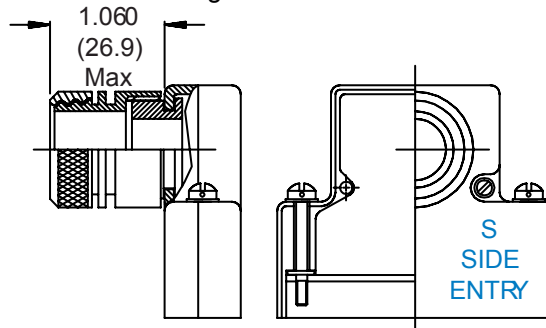
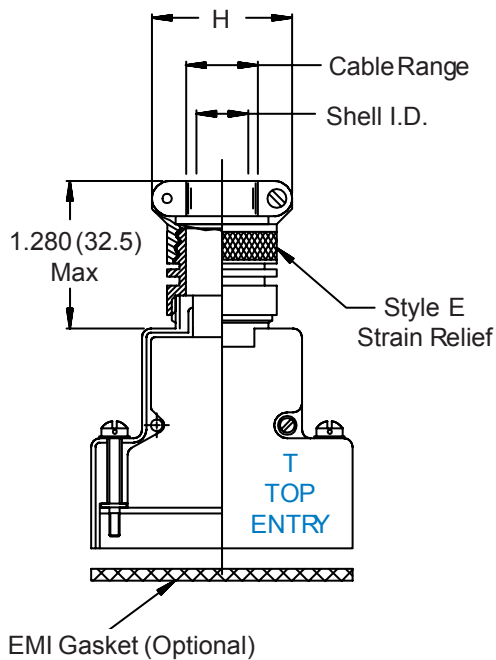
Metric dimensions (mm) are indicated in parentheses.



550-005 EMI/RFI D-Subminiature Split Backshell Lamp-Thread Type Shield Termination With Shrink Boot Groove



1. Metric dimensions (mm) are indicated in parentheses.
2. **DO NOT USE CONNECTORS WITH FLOAT MOUNTINGS.**
3. Overall shield thickness range: Max to .031 (0.8)



Accommodates MS3109-MS3117, M85049/68 Lipped Type Shrink Boots

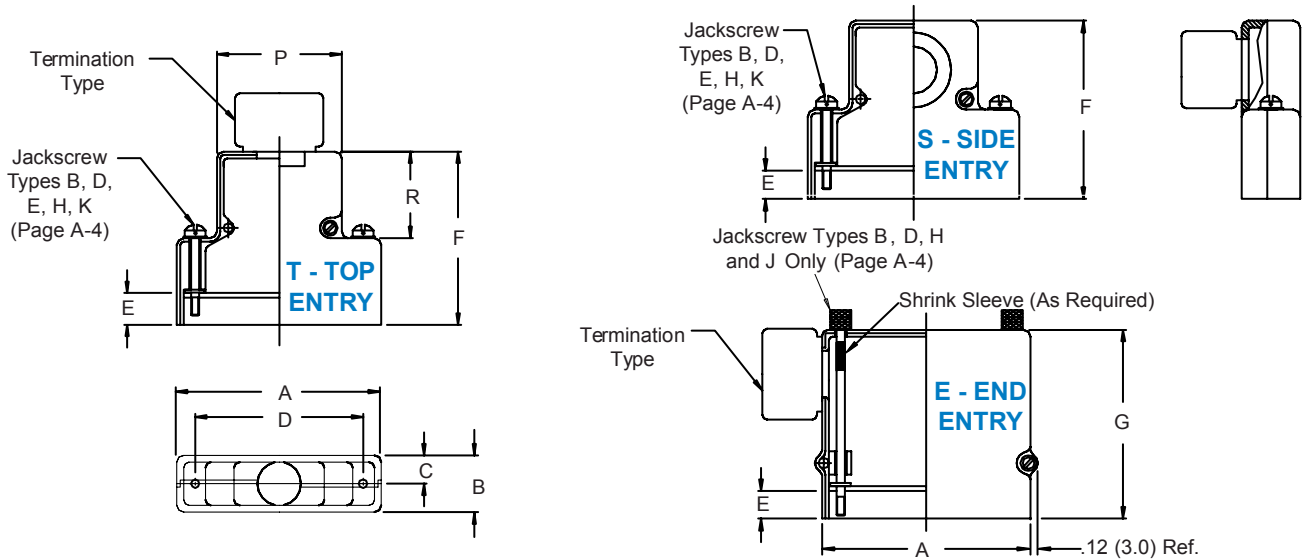
Shell Size	Com'l Shell Size Ref	Entry Style T (Ref) Shell I.D.	Entry Style E Shell I.D.
1	E/09	.250 (6.4)	.375 (9.5)
2	A/15	.375 (9.5)	.375 (9.5)
3	B/25	.475 (12.1)	.475 (12.1)
4	C/37	.475 (12.1)	.475 (12.1)
5	D/50	.575 (14.6)	.575 (14.6)
6 *	F/104	1.000 (25.4)	n/a

* Shell Size 6 Available in Top Entry Only.

Dash No.	H Max	J Max	Cable Range	
			Min	Max
02	.968 (24.6)	.515 (13.1)	.125 (3.2)	.250 (6.4)
03	1.046 (26.6)	.640 (16.3)	.250 (6.4)	.375 (9.5)
04	1.156 (29.4)	.765 (19.4)	.312 (7.9)	.500 (12.7)
05	1.218 (30.9)	.920 (23.4)	.437 (11.1)	.625 (15.9)
06	1.343 (34.1)	1.015 (25.8)	.562 (14.3)	.750 (19.1)
07*	1.468 (37.3)	1.140 (29.0)	.687 (17.4)	.875 (22.2)
08*	1.593 (40.5)	1.265 (32.1)	.812 (20.6)	1.000 (25.4)

* Available in Shell Size 6 Only

D-Subminiature Split Backshells Standard Dimensions



COMMON CONNECTOR/SHELL INTERFACE & BACKSHELL DIMENSIONS

Com'l Shell Size	Shell Ref	A Max	B Max	C Ref.	D ±.005 (.1)	P	R Ref
1	E/09	1.393 (35.4)	.624 (15.8)	.312 (7.9)	.984 (25.0)	.730 (18.5)	.719 (18.3)
2	A/15	1.706 (43.3)	.624 (15.8)	.312 (7.9)	1.312 (33.3)	1.050 (26.7)	.719 (18.3)
3	B/25	2.265 (57.5)	.624 (15.8)	.312 (7.9)	1.852 (47.0)	1.594 (40.5)	.938 (23.8)
4	C/37	2.900 (73.7)	.624 (15.8)	.312 (7.9)	2.500 (63.5)	2.240 (56.9)	.938 (23.8)
5	D/50	2.800 (71.1)	.750 (19.1)	.375 (9.5)	2.406 (61.1)	2.140 (54.4)	.938 (23.8)
6	F/104	2.900 (73.7)	.844 (21.4)	.422 (10.7)	2.500 (63.5)	2.240 (56.9)	1.094 (27.8)

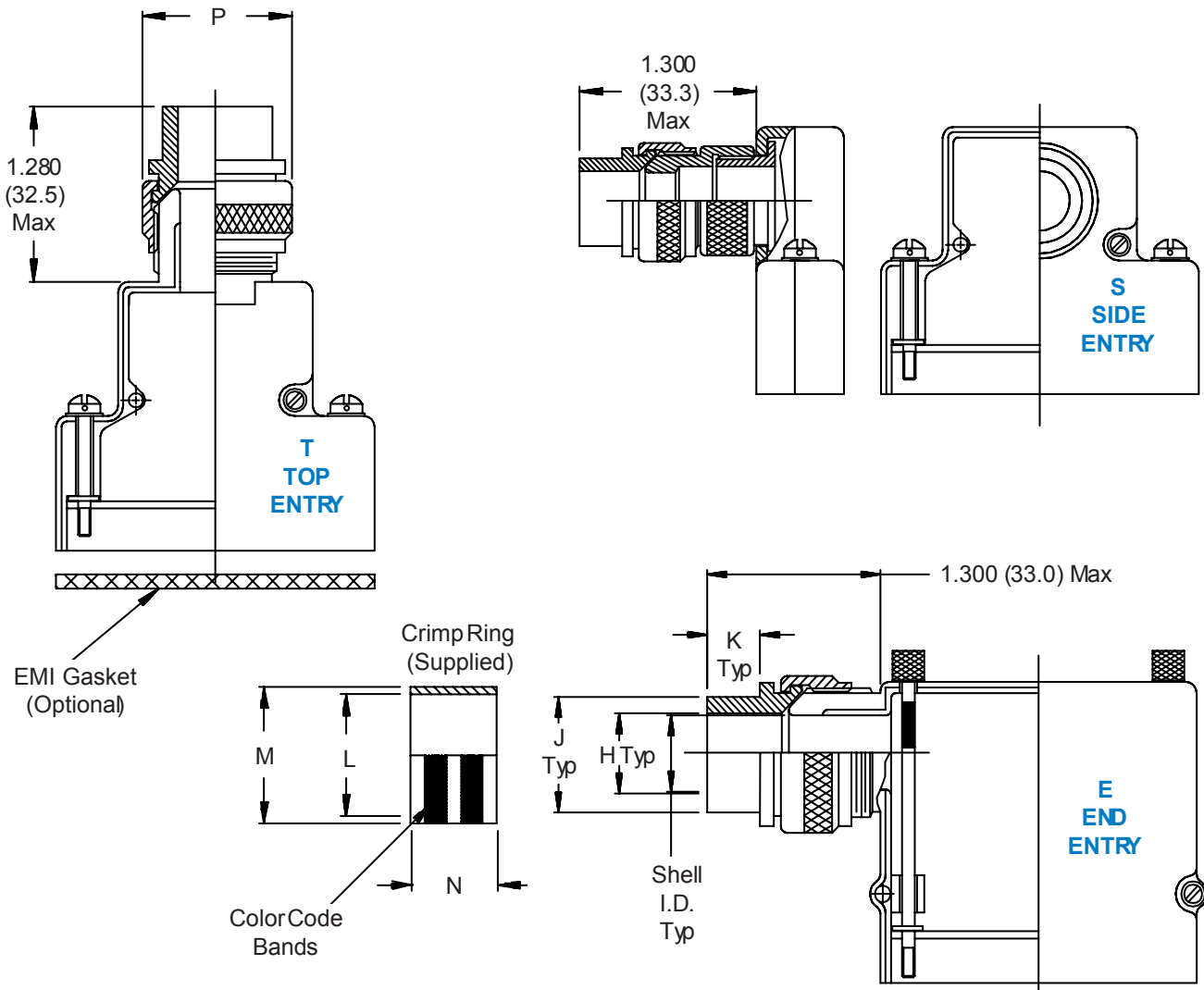
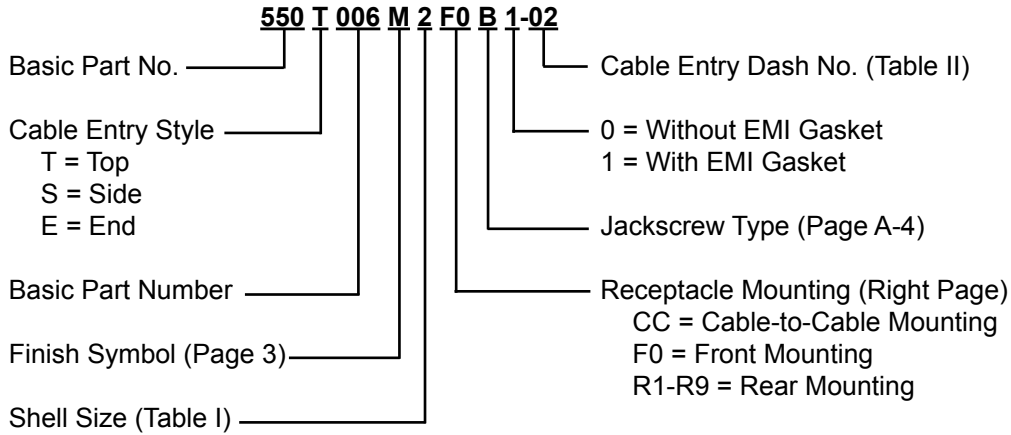
CABLE MOUNTING AND BACKSHELL DIMENSIONS

Dash No.	Panel Thickness	E	F ± .031 (0.79)			G ± .031 (0.79)	
			Sizes 1 & 2	Sizes 3 - 5	Size 6	Sizes 1 & 2	Sizes 3 - 5
CC	n/a	.174 (4.4)	1.451 (36.9)	1.671 (42.4)	1.820 (46.2)	1.583 (40.2)	1.831 (46.5)
F0	n/a	.343 (8.7)	1.625 (41.3)	1.844 (46.8)	2.000 (50.8)	1.750 (44.5)	2.000 (50.8)
R1	.031 (.8)	.247 (6.3)	1.525 (38.7)	1.745 (44.3)	1.890 (48.0)	1.656 (42.1)	1.904 (48.4)
R2	.047 (1.2)	.231 (5.9)	1.509 (38.3)	1.728 (43.9)	1.875 (47.6)	1.640 (41.7)	1.888 (48.0)
R3	.062 (1.6)	.216 (5.5)	1.500 (38.1)	1.720 (43.7)	1.860 (47.2)	1.625 (41.3)	1.873 (47.6)
R4	.093 (2.4)	.185 (4.7)	1.470 (37.3)	1.690 (42.9)	1.829 (46.5)	1.594 (40.5)	1.842 (46.8)
R5	.104 (2.6)	.174 (4.4)	1.451 (36.9)	1.671 (42.4)	1.820 (46.2)	1.583 (40.2)	1.831 (46.5)
R6	.125 (3.2)	.153 (3.9)	1.430 (36.3)	1.650 (41.9)	1.798 (45.7)	1.563 (39.7)	1.811 (46.0)
R7	.156 (4.0)	.125 (3.2)	1.400 (35.6)	1.620 (41.1)	1.767 (44.9)	1.531 (38.9)	1.781 (45.2)
R8	.135 (3.4)	.140 (3.6)	1.417 (36.0)	1.637 (41.6)	1.805 (45.8)	1.550 (39.4)	1.798 (45.7)
R9	.188 (4.8)	.094 (2.4)	1.368 (34.7)	1.590 (40.4)	1.740 (44.2)	1.500 (38.1)	1.750 (44.5)

Metric dimensions (mm) are indicated in parentheses.



550-006
EMI/RFI D-Subminiature Split Backshell
Crimp Ring Shield Termination



550-006
EMI/RFI D-Subminiature Split Backshell
Crimp Ring Shield Termination



MIL-DTL-24308
D-Subminiature

TABLE I: SHELL SIZE & ENTRY STYLE

Shell Size	Com'l Shell Size Ref	Style T	Style E	P Max
		Shell I.D.	Shell I.D.	
1	E/09	.250 (6.4)	.375 (9.5)	.940 (23.9)
2	A/15	.375 (9.5)	.375 (9.5)	.940 (23.9)
3	B/25	.475 (12.1)	.475 (12.1)	1.060 (26.9)
4	C/37	.475 (12.1)	.475 (12.1)	1.060 (26.9)
5	D/50	.575 (14.6)	.575 (14.6)	1.190 (30.2)
6*	F/104	.625 (15.9)	n/a	1.594 (40.5)

* Shell Size 6 Available in Top Entry Only.

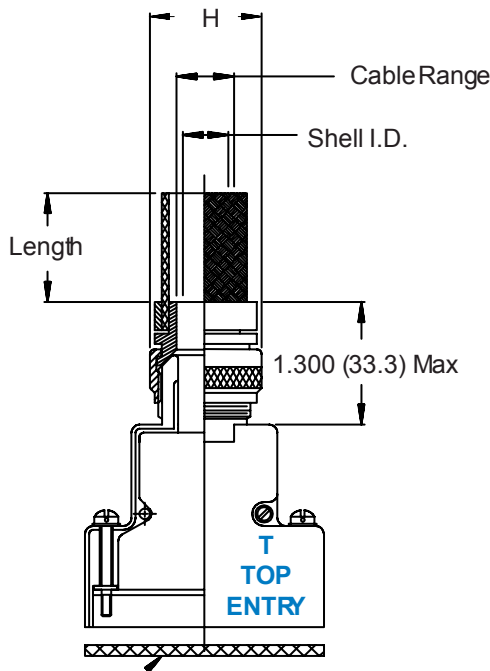
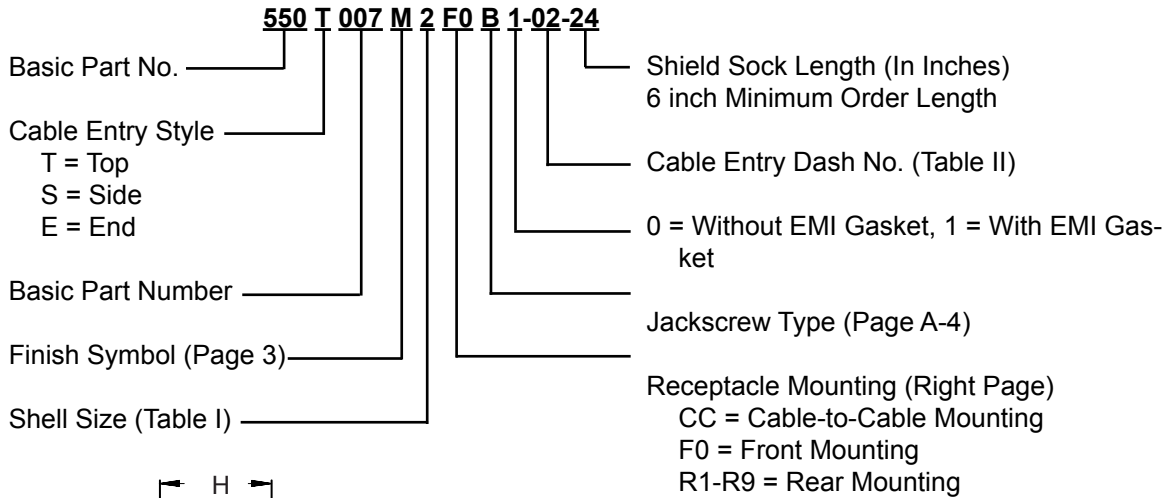
TABLE II: BACKSHELL DIMENSIONS & CABLE ENTRY

Dash No.	H Dia		J Dia		K Dim		L Dia		M Dia		N Dim		Color Code
	±.005	(.1)	±.005	(.1)	±.015	(.4)	±.005	(.1)	±.010	(.3)	±.020	(.5)	
06	.090	(2.3)	.113	(2.9)	.525	(13.3)	.156	(4.0)	.194	(4.9)	.250	(6.4)	Yellow
10	.124	(3.1)	.145	(3.7)	.525	(13.3)	.187	(4.7)	.227	(5.8)	.250	(6.4)	Green
13	.149	(3.8)	.179	(4.5)	.525	(13.3)	.225	(5.7)	.256	(6.5)	.250	(6.4)	Tin
16	.175	(4.4)	.215	(5.5)	.525	(13.3)	.261	(6.6)	.297	(7.5)	.250	(6.4)	Yellow
20	.219	(5.6)	.250	(6.4)	.525	(13.3)	.297	(7.5)	.335	(8.5)	.250	(6.4)	Green
23	.250	(6.4)	.281	(7.1)	.525	(13.3)	.327	(8.3)	.372	(9.4)	.250	(6.4)	Tin
26	.275	(7.0)	.305	(7.7)	.525	(13.3)	.375	(9.5)	.406	(10.3)	.250	(6.4)	Yellow
29	.297	(7.5)	.335	(8.5)	.525	(13.3)	.405	(10.3)	.453	(11.5)	.250	(6.4)	Red
30	.312	(7.9)	.365	(9.3)	.525	(13.3)	.425	(10.8)	.473	(12.0)	.250	(6.4)	Tin
31	.375	(9.5)	.406	(10.3)	.525	(13.3)	.500	(12.7)	.560	(14.2)	.250	(6.4)	Green
32	.430	(10.9)	.500	(12.7)	.600	(15.2)	.590	(15.0)	.670	(17.0)	.440	(11.2)	Red
33	.550	(14.0)	.620	(15.7)	.600	(15.2)	.710	(18.0)	.790	(20.1)	.440	(11.2)	Blue

1. Metric dimensions (mm) are indicated in parentheses.
2. **DO NOT USE CONNECTORS WITH FLOAT MOUNTINGS.**
3. Overall shield thickness range: .020 (.5) to .050 (1.3).
4. Crimp Ring Material: Tinned Copper per ASTM B188



550-007 EMI/RFI D-Subminiature Split Backshell with Pre-Terminated Overall Shield Sock



EMI Gasket (Optional)

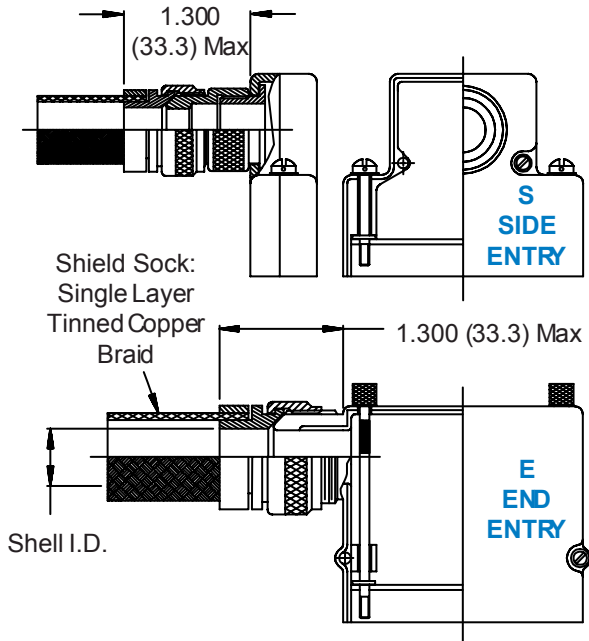


TABLE I: SHELL SIZE & ENTRY STYLE

Shell Size	Com'l Shell Size Ref	Entry Style		H Ref
		T (Ref) Shell I.D.	E Shell I.D.	
1	E/09	.250 (6.4)	.375 (9.5)	.940 (23.9)
2	A/15	.375 (9.5)	.375 (9.5)	.940 (23.9)
3	B/25	.475 (12.1)	.475 (12.1)	1.060 (26.9)
4	C/37	.475 (12.1)	.475 (12.1)	1.060 (26.9)
5	D/50	.575 (14.6)	.575 (14.6)	1.195 (30.4)
6 *	F/104	1.000 (25.4)	n/a	1.594 (40.5)

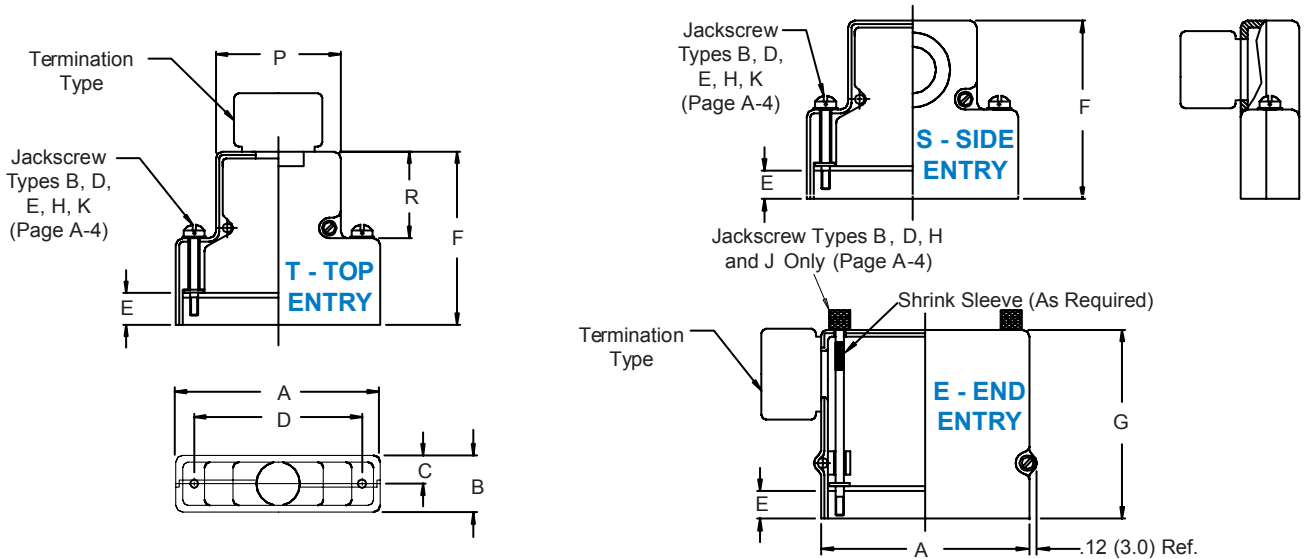
* Shell Size 6 Available in Top Entry Only.

TABLE II: CABLE ENTRY

Dash No.	Cable Entry
02	.250 (6.4)
03	.375 (9.5)
04	.500 (12.7)
05	.625 (15.9)
06	.750 (19.1)
07	.812 (20.6)
08	.875 (22.2)
09	.938 (23.8)
10	1.000 (25.4)

1. Metric dimensions (mm) are indicated in parentheses.
2. **DO NOT USE CONNECTORS WITH FLOAT MOUNTINGS.**
3. Overall Shield Sock Material: Tinned Copper Braid per QQ-B-575.

D-Subminiature Split Backshells Standard Dimensions



COMMON CONNECTOR/SHELL INTERFACE & BACKSHELL DIMENSIONS

Com'l Shell Size	Shell Ref	A Max	B Max	C Ref.	D ±.005 (.1)	P	R Ref
1	E/09	1.393 (35.4)	.624 (15.8)	.312 (7.9)	.984 (25.0)	.730 (18.5)	.719 (18.3)
2	A/15	1.706 (43.3)	.624 (15.8)	.312 (7.9)	1.312 (33.3)	1.050 (26.7)	.719 (18.3)
3	B/25	2.265 (57.5)	.624 (15.8)	.312 (7.9)	1.852 (47.0)	1.594 (40.5)	.938 (23.8)
4	C/37	2.900 (73.7)	.624 (15.8)	.312 (7.9)	2.500 (63.5)	2.240 (56.9)	.938 (23.8)
5	D/50	2.800 (71.1)	.750 (19.1)	.375 (9.5)	2.406 (61.1)	2.140 (54.4)	.938 (23.8)
6	F/104	2.900 (73.7)	.844 (21.4)	.422 (10.7)	2.500 (63.5)	2.240 (56.9)	1.094 (27.8)

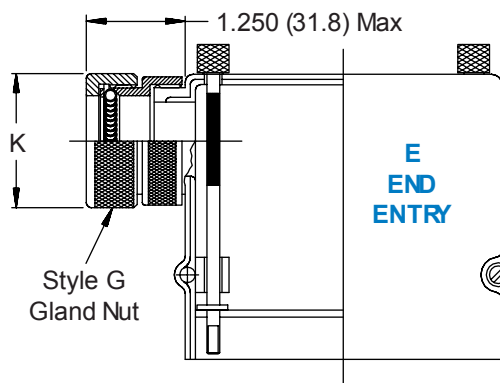
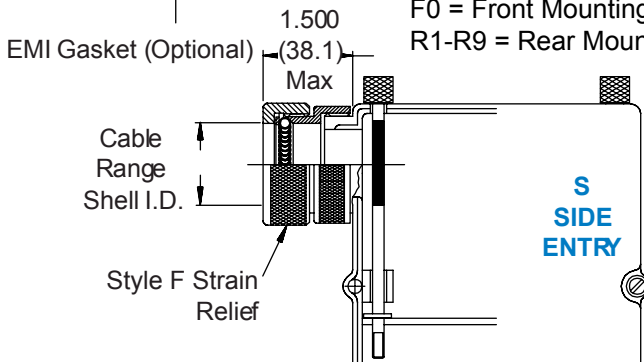
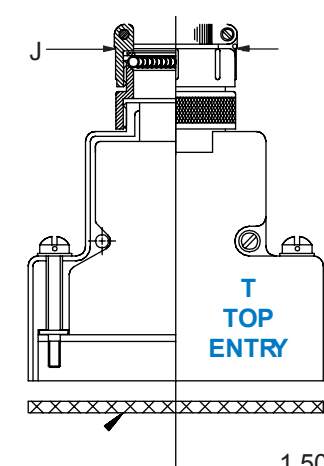
CABLE MOUNTING AND BACKSHELL DIMENSIONS

Dash No.	Panel Thickness	E	F ± .031 (0.79)			G ± .031 (0.79)	
			Sizes 1 & 2	Sizes 3 - 5	Size 6	Sizes 1 & 2	Sizes 3 - 5
CC	n/a	.174 (4.4)	1.451 (36.9)	1.671 (42.4)	1.820 (46.2)	1.583 (40.2)	1.831 (46.5)
F0	n/a	.343 (8.7)	1.625 (41.3)	1.844 (46.8)	2.000 (50.8)	1.750 (44.5)	2.000 (50.8)
R1	.031 (.8)	.247 (6.3)	1.525 (38.7)	1.745 (44.3)	1.890 (48.0)	1.656 (42.1)	1.904 (48.4)
R2	.047 (1.2)	.231 (5.9)	1.509 (38.3)	1.728 (43.9)	1.875 (47.6)	1.640 (41.7)	1.888 (48.0)
R3	.062 (1.6)	.216 (5.5)	1.500 (38.1)	1.720 (43.7)	1.860 (47.2)	1.625 (41.3)	1.873 (47.6)
R4	.093 (2.4)	.185 (4.7)	1.470 (37.3)	1.690 (42.9)	1.829 (46.5)	1.594 (40.5)	1.842 (46.8)
R5	.104 (2.6)	.174 (4.4)	1.451 (36.9)	1.671 (42.4)	1.820 (46.2)	1.583 (40.2)	1.831 (46.5)
R6	.125 (3.2)	.153 (3.9)	1.430 (36.3)	1.650 (41.9)	1.798 (45.7)	1.563 (39.7)	1.811 (46.0)
R7	.156 (4.0)	.125 (3.2)	1.400 (35.6)	1.620 (41.1)	1.767 (44.9)	1.531 (38.9)	1.781 (45.2)
R8	.135 (3.4)	.140 (3.6)	1.417 (36.0)	1.637 (41.6)	1.805 (45.8)	1.550 (39.4)	1.798 (45.7)
R9	.188 (4.8)	.094 (2.4)	1.368 (34.7)	1.590 (40.4)	1.740 (44.2)	1.500 (38.1)	1.750 (44.5)

Metric dimensions (mm) are indicated in parentheses.



550-008
EMI/RFI D-Subminiature Split Backshell
G-Spring Shield Termination
with Strain-Relief



550 T 008 M 2 F0 B 1 F 02-04

Basic Part No. ———— Inner Support Ring Dash No. (Part No. 469-001 - Table III) Omit for none (Ring Not Shown)

Cable Entry Style ———— Cable Entry Dash No. (Table II)

T = Top, S = Side, E = End ———— F = Strain Relief, G = Gland Nut

Basic Part Number ———— 0 = Without EMI Gasket, 1 = With EMI Gasket

Finish Symbol (Page 3) ———— Jackscrew Type (Page A-4)

Shell Size (Table I) ————

Receptacle Mounting (Right Page) ————

CC = Cable-to-Cable Mounting
F0 = Front Mounting
R1-R9 = Rear Mounting

TABLE I: SHELL SIZE & ENTRY

Shell Size	Com'l Shell Size Ref	Entry Style T (Ref) Shell I.D.	Entry Style E Shell I.D.
1	E/09	.250 (6.4)	.375 (9.5)
2	A/15	.375 (9.5)	.375 (9.5)
3	B/25	.475 (12.1)	.475 (12.1)
4	C/37	.475 (12.1)	.475 (12.1)
5	D/50	.575 (14.6)	.575 (14.6)
6*	F/104	1.000 (25.4)	n/a

* Shell Size 6 Available in Top Entry Only.

1. Metric dimensions (mm) are indicated in parentheses.
2. **DO NOT USE CONNECTORS WITH FLOAT MOUNTINGS.**

TABLE II: BACKSHELL DIMENSIONS & CABLE

Dash No.	J Dim Max	K Max	Cable Range	
			Min	Max
02	.968 (24.6)	.781 (19.8)	.125 (3.2)	.250 (6.4)
03	1.046 (26.6)	.906 (23.0)	.250 (6.4)	.375 (9.5)
04	1.156 (29.4)	1.031 (26.2)	.312 (7.9)	.500 (12.7)
05	1.218 (30.9)	1.156 (29.4)	.437 (11.1)	.625 (15.9)
06	1.343 (34.1)	1.281 (32.5)	.562 (14.3)	.750 (19.1)
07*	1.468 (37.3)	1.406 (35.7)	.687 (17.4)	.875 (22.2)
08*	1.593 (40.5)	1.531 (38.9)	.812 (20.6)	1.000 (25.4)

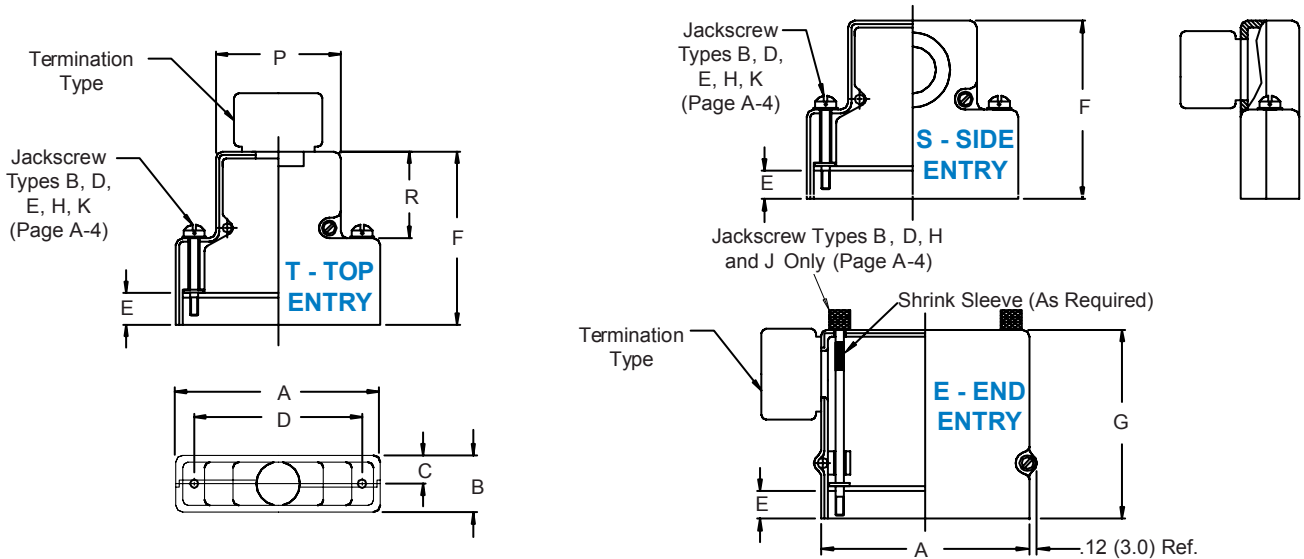
* Available in Shell Size 6 Only

TABLE III: SUPPORT RING

Dash No.	I.D.		O.D.	
	±.010 (.3)	(.3)	±.010 (.3)	(.3)
01	.187	(4.7)	.227	(5.8)
02	.218	(5.5)	.258	(6.6)
03	.250	(6.4)	.290	(7.4)
04	.281	(7.1)	.321	(8.2)
05	.312	(7.9)	.352	(8.9)
06	.343	(8.7)	.383	(9.7)
07	.375	(9.5)	.415	(10.5)
08	.406	(10.3)	.446	(11.3)
09	.438	(11.1)	.478	(12.1)
10	.468	(11.9)	.508	(12.9)
11	.500	(12.7)	.540	(13.7)
12	.531	(13.5)	.571	(14.5)
13	.562	(14.3)	.602	(15.3)
14	.593	(15.1)	.633	(16.1)
15	.625	(15.9)	.665	(16.9)
16	.656	(16.7)	.696	(17.7)
17	.687	(17.4)	.727	(18.5)
18	.718	(18.2)	.758	(19.3)
19	.750	(19.1)	.790	(20.1)
20	.781	(19.8)	.821	(20.9)
21	.812	(20.6)	.852	(21.6)

Consult Factory For Larger Sizes

D-Subminiature Split Backshells Standard Dimensions



COMMON CONNECTOR/SHELL INTERFACE & BACKSHELL DIMENSIONS

Com'l Shell Size	Shell Ref	A Max	B Max	C Ref.	D ±.005 (.1)	P	R Ref
1	E/09	1.393 (35.4)	.624 (15.8)	.312 (7.9)	.984 (25.0)	.730 (18.5)	.719 (18.3)
2	A/15	1.706 (43.3)	.624 (15.8)	.312 (7.9)	1.312 (33.3)	1.050 (26.7)	.719 (18.3)
3	B/25	2.265 (57.5)	.624 (15.8)	.312 (7.9)	1.852 (47.0)	1.594 (40.5)	.938 (23.8)
4	C/37	2.900 (73.7)	.624 (15.8)	.312 (7.9)	2.500 (63.5)	2.240 (56.9)	.938 (23.8)
5	D/50	2.800 (71.1)	.750 (19.1)	.375 (9.5)	2.406 (61.1)	2.140 (54.4)	.938 (23.8)
6	F/104	2.900 (73.7)	.844 (21.4)	.422 (10.7)	2.500 (63.5)	2.240 (56.9)	1.094 (27.8)

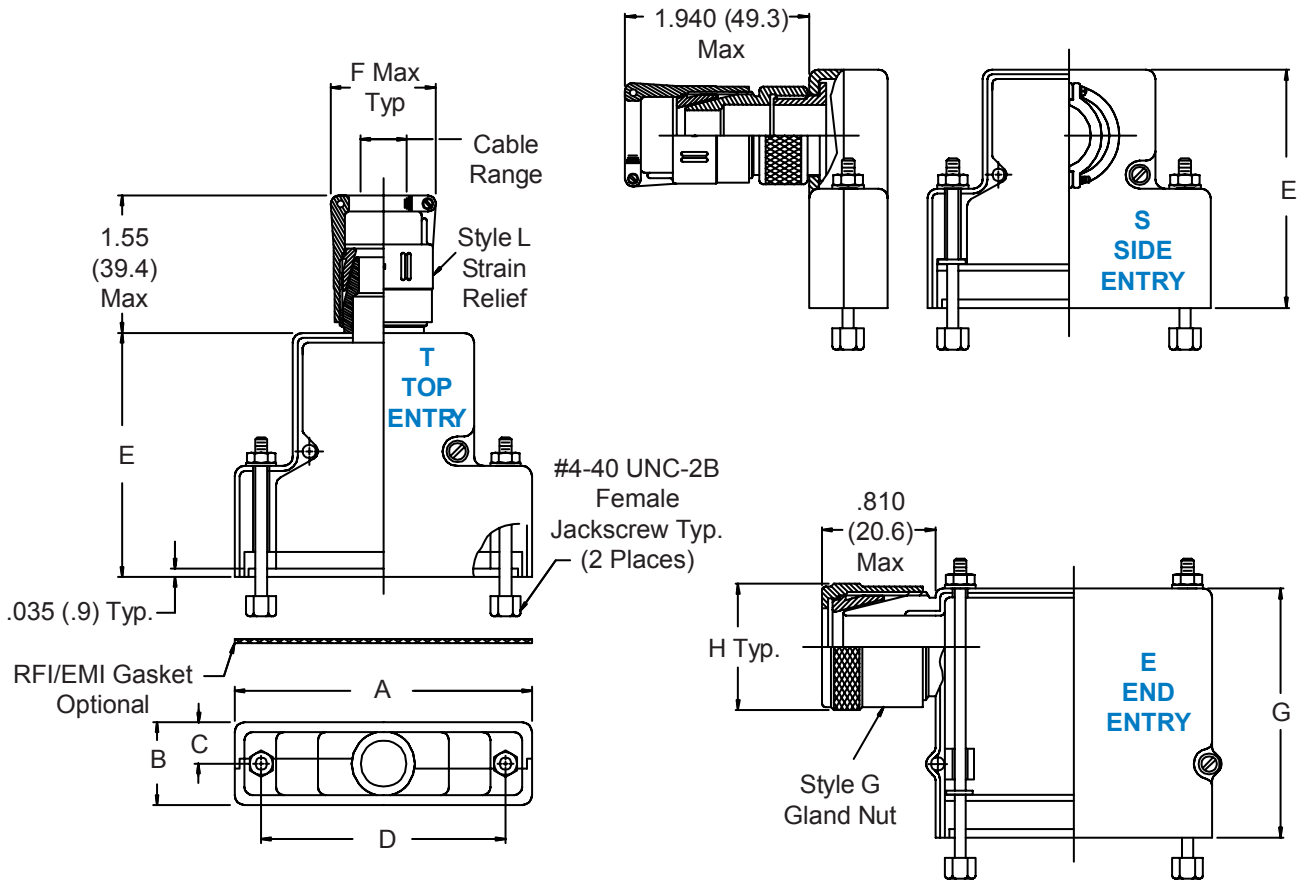
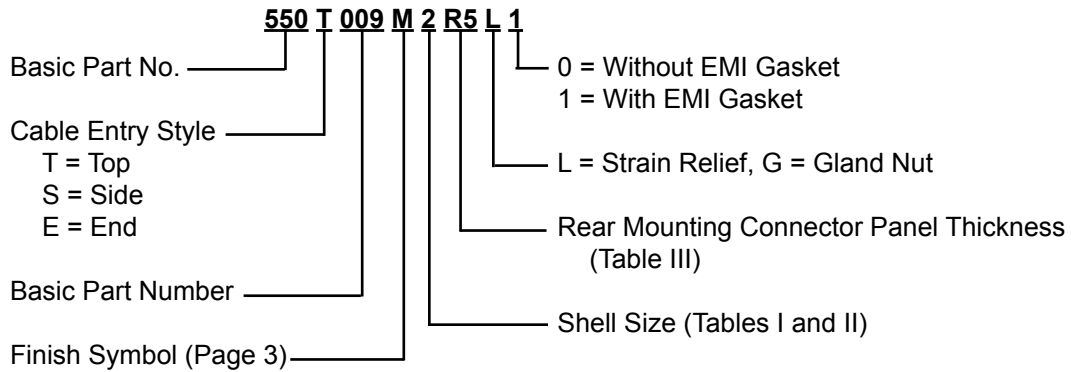
CABLE MOUNTING AND BACKSHELL DIMENSIONS

Dash No.	Panel Thickness	E	F ± .031 (0.79)			G ± .031 (0.79)	
			Sizes 1 & 2	Sizes 3 - 5	Size 6	Sizes 1 & 2	Sizes 3 - 5
CC	n/a	.174 (4.4)	1.451 (36.9)	1.671 (42.4)	1.820 (46.2)	1.583 (40.2)	1.831 (46.5)
F0	n/a	.343 (8.7)	1.625 (41.3)	1.844 (46.8)	2.000 (50.8)	1.750 (44.5)	2.000 (50.8)
R1	.031 (.8)	.247 (6.3)	1.525 (38.7)	1.745 (44.3)	1.890 (48.0)	1.656 (42.1)	1.904 (48.4)
R2	.047 (1.2)	.231 (5.9)	1.509 (38.3)	1.728 (43.9)	1.875 (47.6)	1.640 (41.7)	1.888 (48.0)
R3	.062 (1.6)	.216 (5.5)	1.500 (38.1)	1.720 (43.7)	1.860 (47.2)	1.625 (41.3)	1.873 (47.6)
R4	.093 (2.4)	.185 (4.7)	1.470 (37.3)	1.690 (42.9)	1.829 (46.5)	1.594 (40.5)	1.842 (46.8)
R5	.104 (2.6)	.174 (4.4)	1.451 (36.9)	1.671 (42.4)	1.820 (46.2)	1.583 (40.2)	1.831 (46.5)
R6	.125 (3.2)	.153 (3.9)	1.430 (36.3)	1.650 (41.9)	1.798 (45.7)	1.563 (39.7)	1.811 (46.0)
R7	.156 (4.0)	.125 (3.2)	1.400 (35.6)	1.620 (41.1)	1.767 (44.9)	1.531 (38.9)	1.781 (45.2)
R8	.135 (3.4)	.140 (3.6)	1.417 (36.0)	1.637 (41.6)	1.805 (45.8)	1.550 (39.4)	1.798 (45.7)
R9	.188 (4.8)	.094 (2.4)	1.368 (34.7)	1.590 (40.4)	1.740 (44.2)	1.500 (38.1)	1.750 (44.5)

Metric dimensions (mm) are indicated in parentheses.



550-009
EMI/RFI D-Subminiature
Rear Panel Mounted Split Backshell
Strain Relief - for Overall Shielding



550-009
EMI/RFI D-Subminiature
Rear Panel Mounted Split Backshell
Strain Relief - for Overall Shielding



MIL-DTL-24308
D-Subminiature

TABLE I: CONNECTOR/SHELL INTERFACE & BACKSHELL DIMENSIONS

Shell Size	Com'l Shell Size		A Max	B Max	C Ref.	D	
	Ref	Ref				±.005	(.1)
1	E/09		1.393 (35.4)	.624 (15.8)	.312 (7.9)	.984 (25.0)	
2	A/15		1.706 (43.3)	.624 (15.8)	.312 (7.9)	1.312 (33.3)	
3	B/25		2.265 (57.5)	.624 (15.8)	.312 (7.9)	1.852 (47.0)	
4	C/37		2.900 (73.7)	.624 (15.8)	.312 (7.9)	2.500 (63.5)	
5	D/50		2.800 (71.1)	.750 (19.1)	.375 (9.5)	2.406 (61.1)	
6*	F/104		2.900 (73.7)	.844 (21.4)	.422 (10.7)	2.500 (63.5)	

* Shell Size 6 Available in Top Entry Only.

TABLE II: BACKSHELL DIMENSIONS & CABLE ENTRY

Shell Size	Com'l Shell Size		F ± .031 (0.79)				Cable Range			
	Ref	E	Max	G ± .031 (0.79)	H	Min		Max		
1	E/09	1.32 (33.5)	1.046 (26.6)	1.46 (37.1)	.843 (21.4)	.125 (3.2)	.250 (6.4)	.250 (6.4)	.375 (9.5)	
2	A/15	1.32 (33.5)	1.046 (26.6)	1.46 (37.1)	.843 (21.4)	.250 (6.4)	.375 (9.5)	.375 (9.5)	.475 (12.1)	
3	B/25	1.54 (39.1)	1.156 (29.4)	1.71 (43.4)	.969 (24.6)	.312 (7.9)	.475 (12.1)	.475 (12.1)	.575 (14.6)	
4	C/37	1.54 (39.1)	1.156 (29.4)	1.71 (43.4)	.969 (24.6)	.312 (7.9)	.475 (12.1)	.475 (12.1)	.575 (14.6)	
5	D/50	1.54 (39.1)	1.218 (30.9)	1.71 (43.4)	1.109 (28.2)	.437 (11.1)	.575 (14.6)	.575 (14.6)	.675 (17.3)	
6	F/104	1.87 (47.5)	1.594 (40.5)	n/a	1.468 (37.3)	.812 (20.6)	1.000 (25.4)	1.000 (25.4)	1.100 (27.9)	

**TABLE III:
MOUNTING
PANEL THICKNESS**

Dash No.	Panel Thickness
R1	.031 (.8)
R2	.047 (1.2)
R3	.062 (1.6)
R4	.093 (2.4)
R5	.104 (2.6)
R6	.125 (3.2)
R7	.156 (4.0)
R8	.135 (3.4)
R9	.188 (4.8)

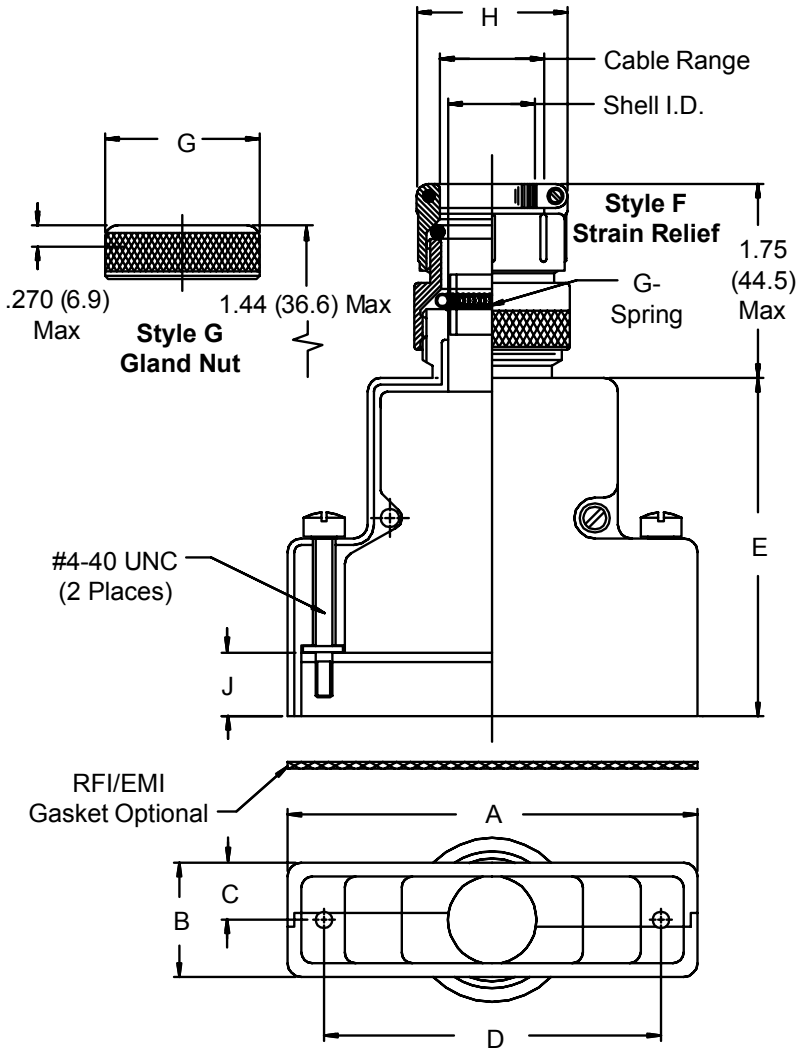
1. Metric dimensions (mm) are indicated in parentheses.
2. **DO NOT USE CONNECTORS WITH FLOAT MOUNTINGS.**
3. Overall shield. Thickness range: Max to .062 (1.6).
4. This backshell is designed for rear mounted connectors. Consult factory for additional panel thickness.
5. See page A-5 for mounting diagram.



550-010 D-Subminiature G-Spring Split Backshell

550 T 010 M 2 R1 B 1 F 02-04

Basic Part No. — Inner Support Ring Dash No. (Table IV), N = No Support Ring
 Cable Entry Style — Cable Entry Dash No. (Table II)
 T = Top
 Basic Part Number — F = Strain Relief, G = Gland Nut
 Finish Symbol (Page 3) — 0 = Without EMI Gasket, 1 = With EMI Gasket
 Shell Size (Table I) — Jackscrew Type (Page A-4)
 Receptacle Mounting — R1-R9 = Rear Mounting (Table III)
 Omit for Front Mounting



**TABLE IV:
INNER SUPPORT RING**

Dash No.	I.D.		O.D.	
	±.010	(.3)	±.010	(.3)
01	.187	(4.7)	.227	(5.8)
02	.218	(5.5)	.258	(6.6)
03	.250	(6.4)	.290	(7.4)
04	.281	(7.1)	.321	(8.2)
05	.312	(7.9)	.352	(8.9)
06	.343	(8.7)	.383	(9.7)
07	.375	(9.5)	.415	(10.5)
08	.406	(10.3)	.446	(11.3)
09	.438	(11.1)	.478	(12.1)
10	.468	(11.9)	.508	(12.9)
11	.500	(12.7)	.540	(13.7)
12	.531	(13.5)	.571	(14.5)
13	.562	(14.3)	.602	(15.3)
14	.593	(15.1)	.633	(16.1)
15	.625	(15.9)	.665	(16.9)
16	.656	(16.7)	.696	(17.7)
17	.687	(17.4)	.727	(18.5)
18	.718	(18.2)	.758	(19.3)
19	.750	(19.1)	.790	(20.1)
20	.781	(19.8)	.821	(20.9)
21	.812	(20.6)	.852	(21.6)
22	.843	(21.4)	.883	(22.4)
23	.875	(22.2)	.915	(23.2)
24	.906	(23.0)	.946	(24.0)
25	.937	(23.8)	.977	(24.8)

Consult Factory For Larger Sizes

550-010
D-Subminiature
G-Spring Split Backshell



MIL-DTL-24308
D-Subminiature

TABLE I: SHELL SIZE & CONNECTOR INTERFACE DIMENSIONS

Com'l Shell Size	Shell Size Ref	A Max	B Max	C Ref.	D ±.005 (.1)	E (Front Mtd. Re- cept. Only)	Shell I.D.
1	E/09	1.393 (35.4)	.624 (15.8)	.312 (7.9)	.984 (25.0)	1.625 (41.3)	.250 (6.4)
2	A/15	1.706 (43.3)	.624 (15.8)	.312 (7.9)	1.312 (33.3)	1.625 (41.3)	.375 (9.5)
3	B/25	2.265 (57.5)	.624 (15.8)	.312 (7.9)	1.852 (47.0)	1.844 (46.8)	.475 (12.1)
4	C/37	2.900 (73.7)	.624 (15.8)	.312 (7.9)	2.500 (63.5)	1.844 (46.8)	.475 (12.1)
5	D/50	2.800 (71.1)	.750 (19.1)	.375 (9.5)	2.406 (61.1)	1.844 (46.8)	.575 (14.6)
6	F/104	2.900 (73.7)	.844 (21.4)	.422 (10.7)	2.500 (63.5)	2.000 (50.8)	1.000 (25.4)

TABLE II: CABLE ENTRY

Dash No.	G Max	H Max	Cable Range	
			Min	Max
01	.625 (15.9)	.843 (21.4)	.125 (3.2)	.250 (6.4)
02	.750 (19.1)	.968 (24.6)	.156 (4.0)	.375 (9.5)
03	.875 (22.2)	1.046 (26.6)	.250 (6.4)	.438 (11.1)
04	1.000 (25.4)	1.156 (29.4)	.280 (7.1)	.500 (12.7)
05	1.125 (28.6)	1.218 (30.9)	.375 (9.5)	.625 (15.9)
06	1.250 (31.8)	1.343 (34.1)	.500 (12.7)	.750 (19.1)
07*	1.406 (35.7)	1.468 (37.3)	.687 (17.4)	.875 (22.2)
08*	1.531 (38.9)	1.593 (40.5)	.812 (20.6)	1.000 (25.4)

* Available in Shell Size 6 Only

TABLE III: BACKSHELL DIMENSIONS & PANEL THICKNESS

Dash No.	Panel Thickness	J	E		
			Sizes 1 & 2	Sizes 3 - 5	Size 6
R1	.031 (.8)	.247 (6.3)	1.525 (38.7)	1.745 (44.3)	1.890 (48.0)
R2	.047 (1.2)	.231 (5.9)	1.509 (38.3)	1.728 (43.9)	1.875 (47.6)
R3	.062 (1.6)	.216 (5.5)	1.500 (38.1)	1.720 (43.7)	1.860 (47.2)
R4	.093 (2.4)	.185 (4.7)	1.470 (37.3)	1.690 (42.9)	1.829 (46.5)
R5	.104 (2.6)	.174 (4.4)	1.451 (36.9)	1.671 (42.4)	1.820 (46.2)
R6	.125 (3.2)	.153 (3.9)	1.430 (36.3)	1.650 (41.9)	1.798 (45.7)
R7	.156 (4.0)	.125 (3.2)	1.400 (35.6)	1.620 (41.1)	1.767 (44.9)
R8	.135 (3.4)	.140 (3.6)	1.417 (36.0)	1.637 (41.6)	1.805 (45.8)
R9	.188 (4.8)	.094 (2.4)	1.368 (34.7)	1.590 (40.4)	1.740 (44.2)

1. Metric dimensions (mm) are indicated in parentheses.
2. **DO NOT USE CONNECTORS WITH FLOAT MOUNTINGS.**
3. For front mount, mating connector must be mounted to panel using M24308/26 female screwlocks. For rear mount, use Glenair GK134.
4. For proper termination it is recommended that Glenair 469-001 shield support ring be used on all assemblies. Place ring over wire bundle and under shield, position under G-Spring.



550-018 D-Subminiature Potting Split Backshell

550-018 M 2 F0 B 1

Basic Part No. ————

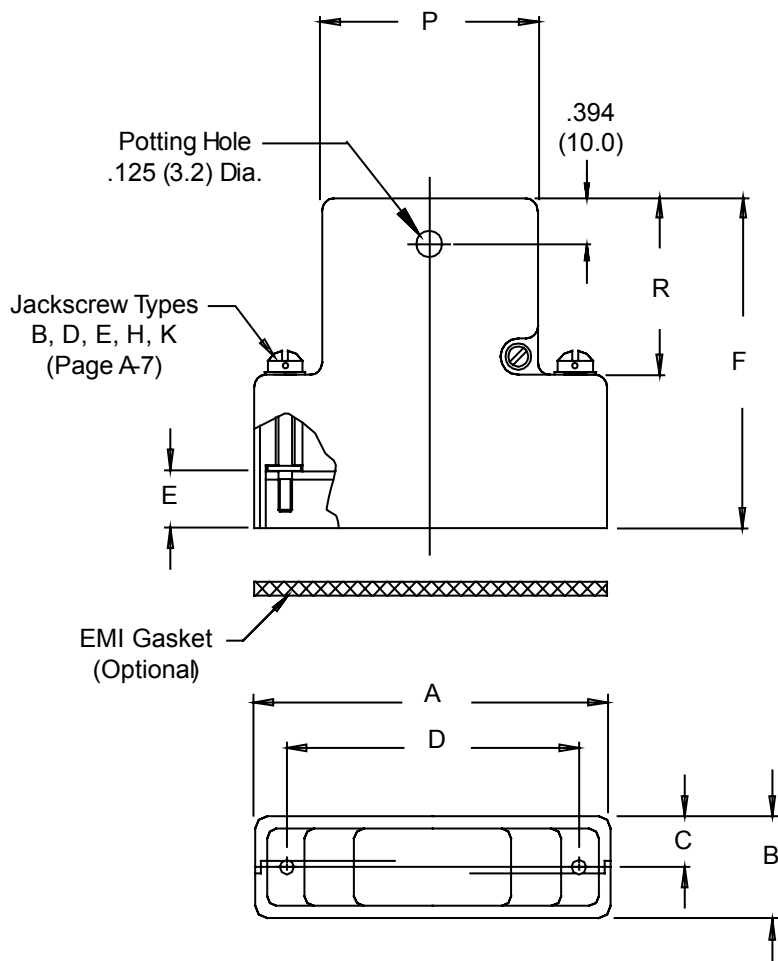
Finish Symbol (Page 3) ————

Shell Size (Table I) ————

0 = Without EMI Gasket, 1 = With EMI Gasket

Jackscrew Type (Page A-4)

Receptacle Mounting
CC = Cable-to-Cable Mounting
F0 = Front Mounting
R1-R9 = Rear Mounting



550-018
D-Subminiature
Potting Split Backshell



MIL-DTL-24308
D-Subminiature

COMMON BACKSHELL DIMENSIONS

Shell Size	Com'l Shell Size Ref	A		B		D		P	R Ref				
		Max	(mm)	Max	(mm)	±.005	(.1)						
1	E/09	1.393	(35.4)	.624	(15.8)	.312	(7.9)	.984	(25.0)	.730	(18.5)	.719	(18.3)
2	A/15	1.706	(43.3)	.624	(15.8)	.312	(7.9)	1.312	(33.3)	1.050	(26.7)	.719	(18.3)
3	B/25	2.265	(57.5)	.624	(15.8)	.312	(7.9)	1.852	(47.0)	1.594	(40.5)	.938	(23.8)
4	C/37	2.900	(73.7)	.624	(15.8)	.312	(7.9)	2.500	(63.5)	2.240	(56.9)	.938	(23.8)
5	D/50	2.800	(71.1)	.750	(19.1)	.375	(9.5)	2.406	(61.1)	2.140	(54.4)	.938	(23.8)
6	F/104	2.900	(73.7)	.844	(21.4)	.422	(10.7)	2.500	(63.5)	2.240	(56.9)	1.094	(27.8)

CABLE MOUNTING DIMENSIONS

Dash No.	Panel Thickness	E	F ± .031 (0.79)		
			Sizes 1 & 2	Sizes 3 - 5	Size 6
CC	n/a	.174 (4.4)	1.451 (36.9)	1.671 (42.4)	1.820 (46.2)
F0	n/a	.343 (8.7)	1.625 (41.3)	1.844 (46.8)	2.000 (50.8)
R1	.031 (.8)	.247 (6.3)	1.525 (38.7)	1.745 (44.3)	1.890 (48.0)
R2	.047 (1.2)	.231 (5.9)	1.509 (38.3)	1.728 (43.9)	1.875 (47.6)
R3	.062 (1.6)	.216 (5.5)	1.500 (38.1)	1.720 (43.7)	1.860 (47.2)
R4	.093 (2.4)	.185 (4.7)	1.470 (37.3)	1.690 (42.9)	1.829 (46.5)
R5	.104 (2.6)	.174 (4.4)	1.451 (36.9)	1.671 (42.4)	1.820 (46.2)
R6	.125 (3.2)	.153 (3.9)	1.430 (36.3)	1.650 (41.9)	1.798 (45.7)
R7	.156 (4.0)	.125 (3.2)	1.400 (35.6)	1.620 (41.1)	1.767 (44.9)
R8	.135 (3.4)	.140 (3.6)	1.417 (36.0)	1.637 (41.6)	1.805 (45.8)
R9	.188 (4.8)	.094 (2.4)	1.368 (34.7)	1.590 (40.4)	1.740 (44.2)

1. Metric dimensions (mm) are indicated in parentheses.
2. **DO NOT USE CONNECTORS WITH FLOAT MOUNTINGS.**



550-024 D-Subminiature Split Banding Backshell

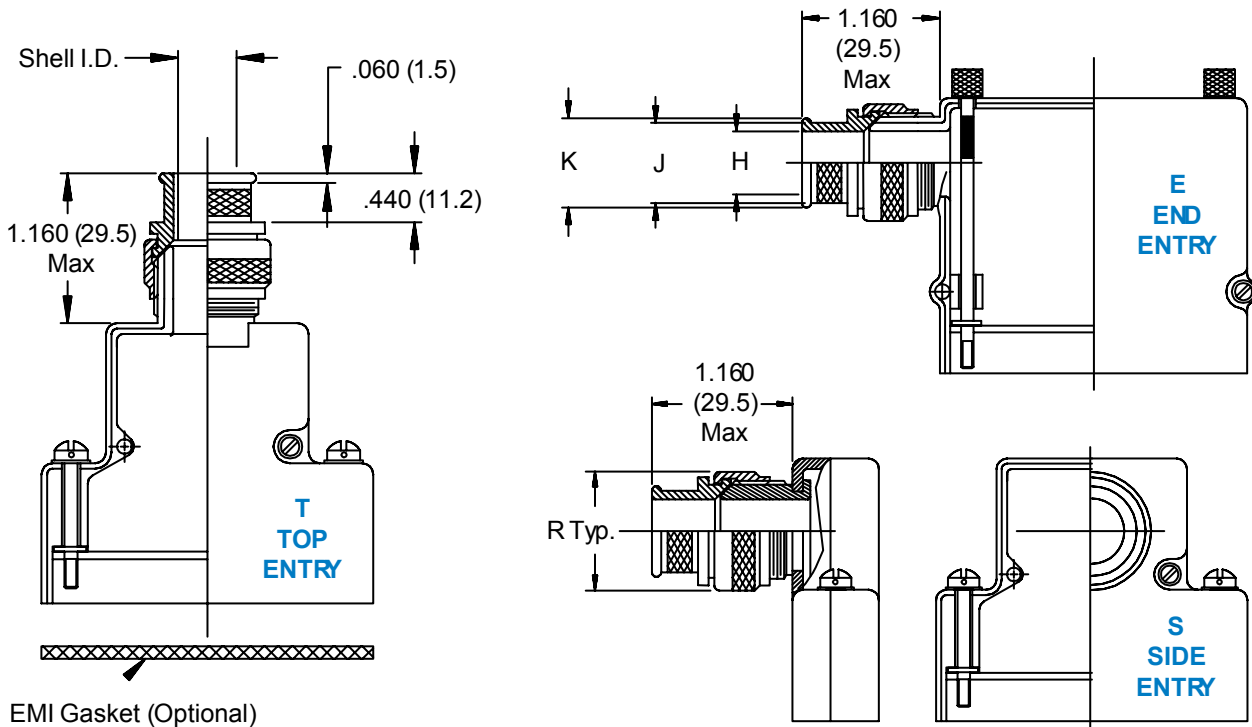
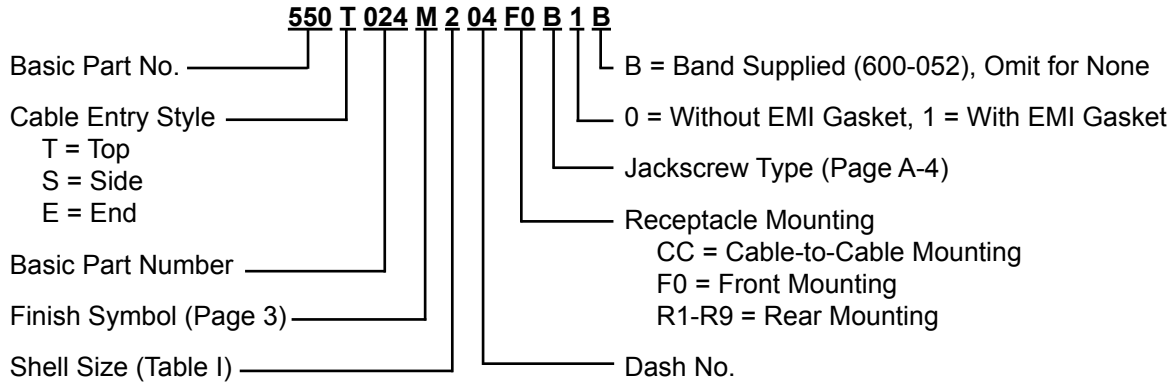


TABLE I: SHELL SIZE & ENTRY STYLE

Shell Size	Com'l Shell Size Ref	Entry Style T (Ref) Shell I.D.	Entry Style E Shell I.D.	R Ref	Max Entry Dash No.
1	E/09	.250 (6.4)	.375 (9.5)	.940 (23.9)	02
2	A/15	.375 (9.5)	.375 (9.5)	.940 (23.9)	04
3	B/25	.475 (12.1)	.475 (12.1)	1.060 (26.9)	05
4	C/37	.475 (12.1)	.475 (12.1)	1.060 (26.9)	05
5	D/50	.575 (14.6)	.575 (14.6)	1.190 (30.2)	07
6*	F/104	1.000 (25.4)	1.000 (25.4)	1.594 (40.5)	11

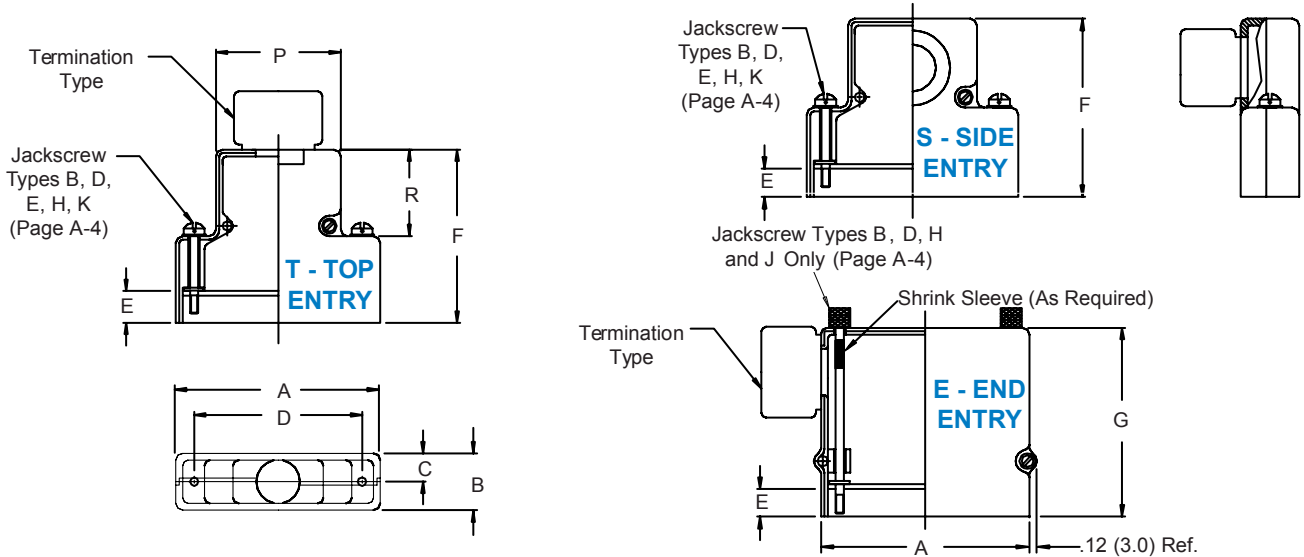
* Shell Size 6 Available in Top Entry Only.

TABLE II: BACKSHELL DIMS & CABLE ENTRY

Dash No.	H Dia	J Dia	K Dia
01	.125 (3.2)	.250 (6.4)	.312 (7.9)
02	.250 (6.4)	.375 (9.5)	.438 (11.1)
03	.312 (7.9)	.438 (11.1)	.500 (12.7)
04	.375 (9.5)	.500 (12.7)	.562 (14.3)
05	.438 (11.1)	.562 (14.3)	.625 (15.9)
06	.500 (12.7)	.625 (15.9)	.688 (17.5)
07	.562 (14.3)	.688 (17.5)	.750 (19.1)
08	.625 (15.9)	.750 (19.1)	.812 (20.6)
09	.750 (19.1)	.875 (22.2)	.937 (23.8)
10	.875 (22.2)	1.000 (25.4)	1.062 (27.0)
11	1.000 (25.4)	1.125 (28.6)	1.188 (30.2)

1. Metric dimensions (mm) are indicated in parentheses.
2. **DO NOT USE CONNECTORS WITH FLOAT MOUNTINGS.**

D-Subminiature Split Backshells Standard Dimensions



COMMON CONNECTOR/SHELL INTERFACE & BACKSHELL DIMENSIONS

Com'l Shell Size	Shell Ref	A Max	B Max	C Ref.	D ±.005 (.1)	P	R Ref
1	E/09	1.393 (35.4)	.624 (15.8)	.312 (7.9)	.984 (25.0)	.730 (18.5)	.719 (18.3)
2	A/15	1.706 (43.3)	.624 (15.8)	.312 (7.9)	1.312 (33.3)	1.050 (26.7)	.719 (18.3)
3	B/25	2.265 (57.5)	.624 (15.8)	.312 (7.9)	1.852 (47.0)	1.594 (40.5)	.938 (23.8)
4	C/37	2.900 (73.7)	.624 (15.8)	.312 (7.9)	2.500 (63.5)	2.240 (56.9)	.938 (23.8)
5	D/50	2.800 (71.1)	.750 (19.1)	.375 (9.5)	2.406 (61.1)	2.140 (54.4)	.938 (23.8)
6	F/104	2.900 (73.7)	.844 (21.4)	.422 (10.7)	2.500 (63.5)	2.240 (56.9)	1.094 (27.8)

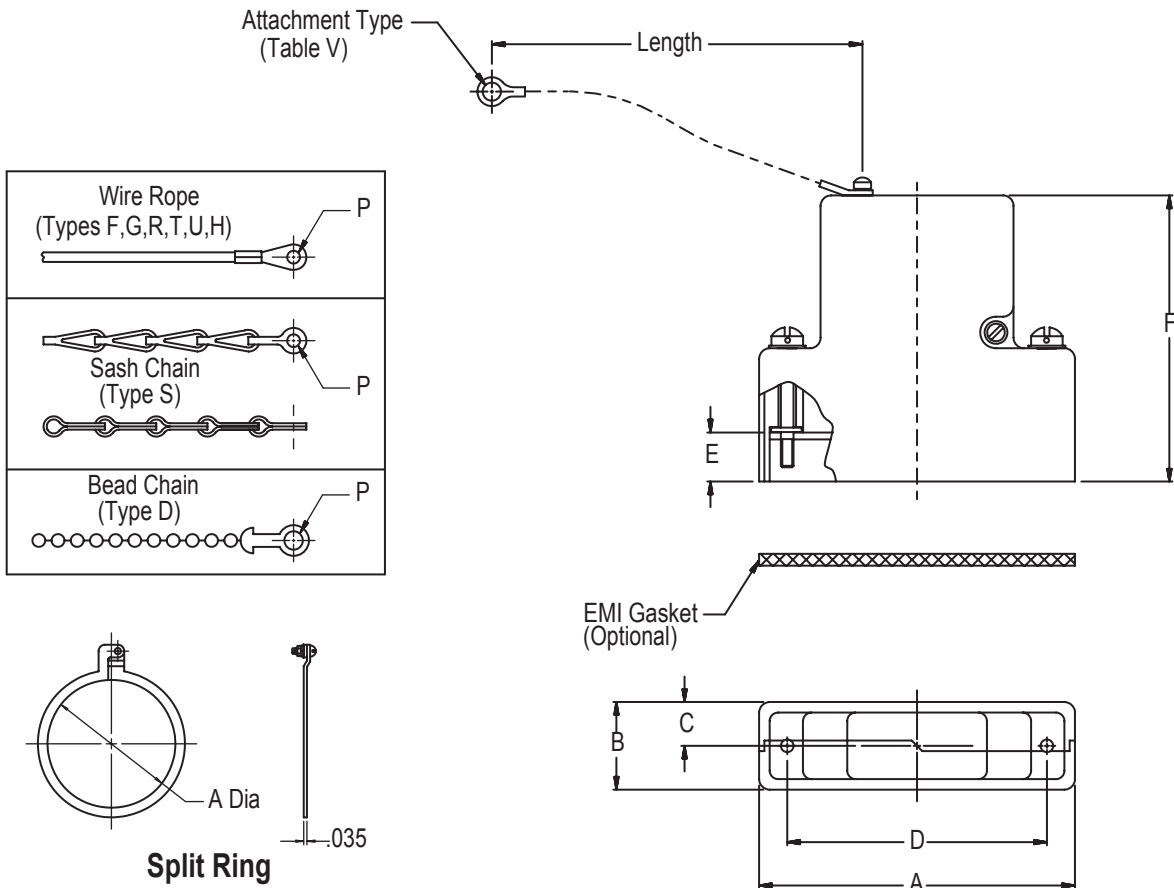
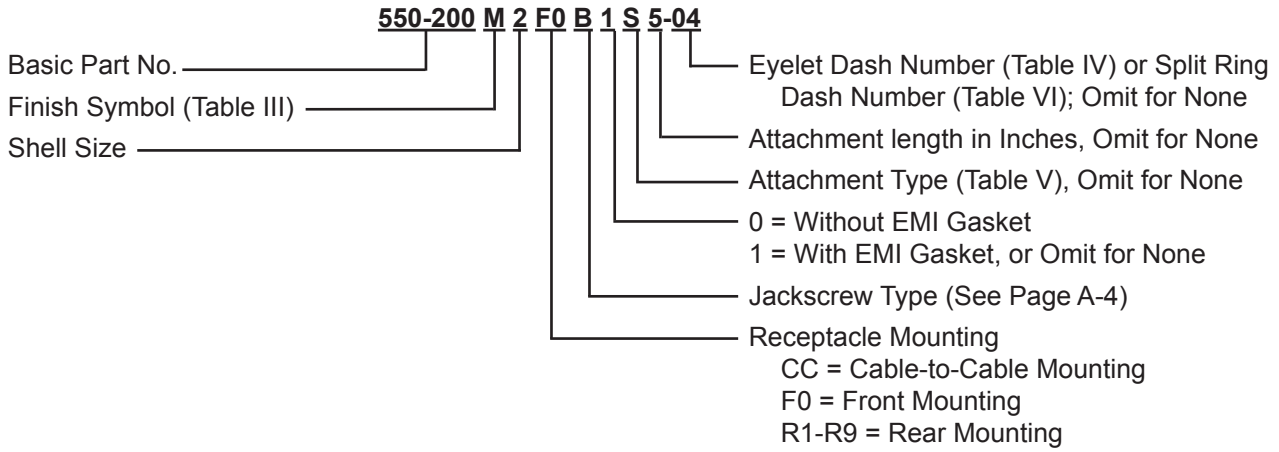
CABLE MOUNTING AND BACKSHELL DIMENSIONS

Dash No.	Panel Thickness	E	F ± .031 (0.79)			G ± .031 (0.79)	
			Sizes 1 & 2	Sizes 3 - 5	Size 6	Sizes 1 & 2	Sizes 3 - 5
CC	n/a	.174 (4.4)	1.451 (36.9)	1.671 (42.4)	1.820 (46.2)	1.583 (40.2)	1.831 (46.5)
F0	n/a	.343 (8.7)	1.625 (41.3)	1.844 (46.8)	2.000 (50.8)	1.750 (44.5)	2.000 (50.8)
R1	.031 (.8)	.247 (6.3)	1.525 (38.7)	1.745 (44.3)	1.890 (48.0)	1.656 (42.1)	1.904 (48.4)
R2	.047 (1.2)	.231 (5.9)	1.509 (38.3)	1.728 (43.9)	1.875 (47.6)	1.640 (41.7)	1.888 (48.0)
R3	.062 (1.6)	.216 (5.5)	1.500 (38.1)	1.720 (43.7)	1.860 (47.2)	1.625 (41.3)	1.873 (47.6)
R4	.093 (2.4)	.185 (4.7)	1.470 (37.3)	1.690 (42.9)	1.829 (46.5)	1.594 (40.5)	1.842 (46.8)
R5	.104 (2.6)	.174 (4.4)	1.451 (36.9)	1.671 (42.4)	1.820 (46.2)	1.583 (40.2)	1.831 (46.5)
R6	.125 (3.2)	.153 (3.9)	1.430 (36.3)	1.650 (41.9)	1.798 (45.7)	1.563 (39.7)	1.811 (46.0)
R7	.156 (4.0)	.125 (3.2)	1.400 (35.6)	1.620 (41.1)	1.767 (44.9)	1.531 (38.9)	1.781 (45.2)
R8	.135 (3.4)	.140 (3.6)	1.417 (36.0)	1.637 (41.6)	1.805 (45.8)	1.550 (39.4)	1.798 (45.7)
R9	.188 (4.8)	.094 (2.4)	1.368 (34.7)	1.590 (40.4)	1.740 (44.2)	1.500 (38.1)	1.750 (44.5)

Metric dimensions (mm) are indicated in parentheses.



550-200 D-Subminiature Shorting Cap Split Backshells



550-200 D-Subminiature Shorting Cap Split Backshells



TABLE I: Common Backshell Dimensions

Dash No.	A Max	B Max	C	D ± .005 (0.13)
1	1.393 (35.4)	.624 (15.8)	.322 (8.2)	.984 (25.0)
2	1.706 (43.4)	.624 (15.8)	.322 (8.2)	1.312 (33.3)
3	2.265 (57.5)	.624 (15.8)	.322 (8.2)	1.852 (47.0)
4	2.900 (73.7)	.624 (15.8)	.322 (8.2)	2.500 (63.5)
5	2.800 (71.1)	.735 (18.7)	.375 (9.5)	2.406 (61.1)
6	2.900 (73.7)	.844 (21.4)	.422 (10.7)	2.500 (63.5)

TABLE II: Cable Mounting Dimensions

Dash No.	Panel Thickness	E	F		
			Sizes 1 & 2	Sizes 3 to 5	Size 6
CC	N/A	.174 (4.4)	1.451 (36.9)	1.671 (42.4)	1.820 (46.2)
F0	N/A	.343 (8.7)	1.625 (41.3)	1.844 (46.8)	2.000 (50.8)
R1	.031 (0.8)	.247 (6.3)	1.525 (38.7)	1.745 (44.3)	1.890 (48.0)
R2	.047 (1.2)	.231 (5.9)	1.509 (38.3)	1.728 (43.9)	1.875 (47.6)
R3	.062 (1.6)	.216 (5.5)	1.500 (38.1)	1.720 (43.7)	1.860 (47.2)
R4	.093 (2.4)	.185 (4.7)	1.470 (37.3)	1.690 (42.9)	1.829 (46.5)
R5	.104 (2.6)	.174 (4.4)	1.451 (36.9)	1.671 (42.4)	1.820 (46.2)
R6	.125 (3.2)	.153 (3.9)	1.430 (36.3)	1.650 (41.9)	1.798 (45.7)
R7	.156 (4.0)	.125 (3.2)	1.400 (35.6)	1.620 (41.1)	1.767 (44.9)
R8	.135 (3.4)	.140 (3.6)	1.417 (36.0)	2.637 (41.6)	1.805 (45.8)
R9	.188 (4.8)	.094 (2.4)	1.368 (34.7)	2.590 (40.4)	1.740 (44.2)

TABLE III: Finishes

Symbol	Description
A	Cadmium Plate/Bright Dip
B	Cadmium Plate/Olive Drab
J	Gold Iridite over Cadmium Plate over Nickel
M	Electroless Nickel
N	Cadmium Plate/Olive Drab over Nickel
NF	Cadmium/Olive Drab over Electroless Nickel (1,000 Hr. Salt Spray)
T	Cadmium Plate/Bright Dip over Nickel
Y	Gold Iridite over Cadmium Plate

TABLE IV: Attachment Diameter P

Dash No.	P Dia ± .010 (0.25)
01	.140 (3.6)
02	.182 (4.6)
03	.191 (4.9)
04	.197 (5.0)
05	.167 (4.2)
06	.125 (3.2)
07	.218 (5.5)
09	.156 (4.0)
00	No Eyelet

TABLE V: Attachment Options

Symbol	Description
D	Bead Chain, CRES, Passivated
F	Wire Rope, Nylon Jacket
G	Nylon Rope
H	Wire Rope, Teflon Jacket
R	Wire Rope, PVC Jacket
T	Wire Rope, No Jacket
S	#8 Sash Chain, CRES, Passivated
U	Wire Rope, Polyurethane Jacket

TABLE VI: Split Ring Diameter and Maximum Mandrel Diameter

Dash No.	A Dia	Max Mandrel Dia (See Note 3)
50	.425 (10.8)	.410 (10.4)
52	.485 (12.3)	.470 (11.9)
54	.640 (16.3)	.625 (15.9)
56	.750 (19.1)	.735 (18.7)
58	.890 (22.6)	.875 (22.2)
60	1.015 (25.8)	1.000 (25.4)
62	1.095 (27.8)	1.080 (27.4)
64	1.130 (28.7)	1.115 (28.3)
66	1.250 (31.8)	1.235 (31.4)
68	1.350 (34.3)	1.335 (33.9)
70	1.375 (34.9)	1.360 (34.5)
72	1.485 (37.7)	1.470 (37.3)
74	1.625 (41.3)	1.610 (40.9)
76	1.750 (44.5)	1.735 (44.1)
78	1.875 (47.6)	1.860 (47.2)
80	1.980 (50.3)	1.965 (49.9)
82	2.060 (52.3)	2.045 (51.9)
84	2.235 (56.8)	2.220 (56.4)
86	2.310 (58.7)	2.295 (58.3)
88	2.475 (62.9)	2.460 (62.5)
90	2.655 (67.4)	2.640 (67.1)
92	2.810 (71.4)	2.795 (71.0)
94	3.045 (77.3)	3.030 (77.0)

1. Metric dimensions (mm) are indicated in parentheses.
2. **DO NOT USE CONNECTORS WITH FLOAT MOUNTINGS.**
3. Maximum recommended diameter of Mandrel over which assembled ring will rotate freely.



550-033 D-Subminiature Dual Banding Split Backshell

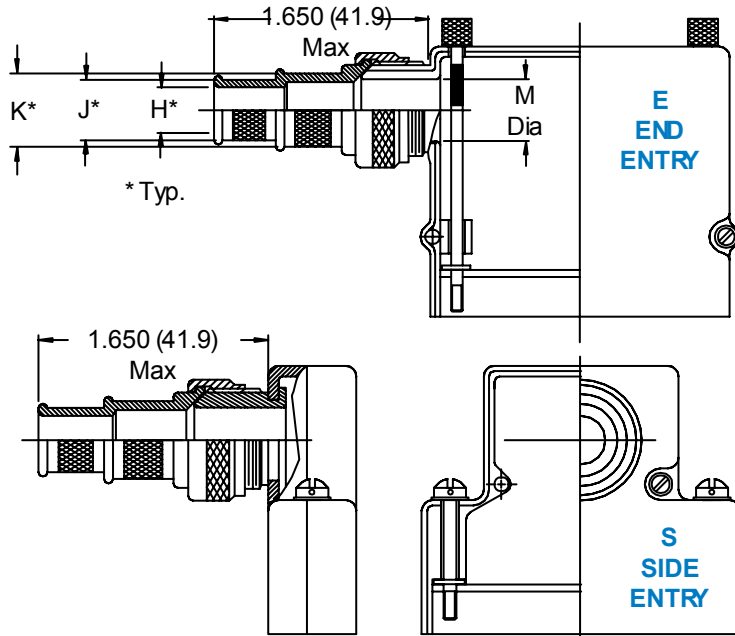
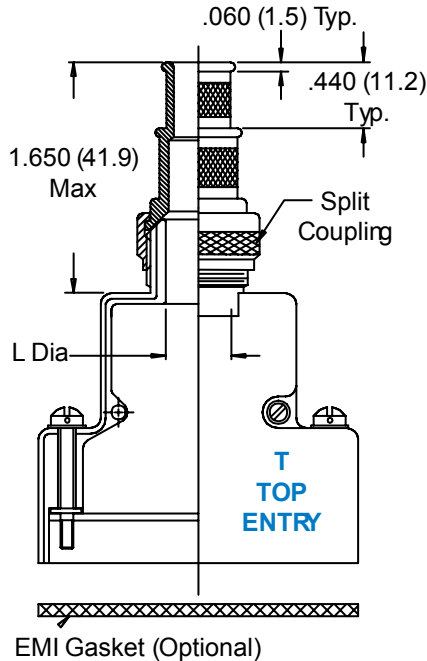
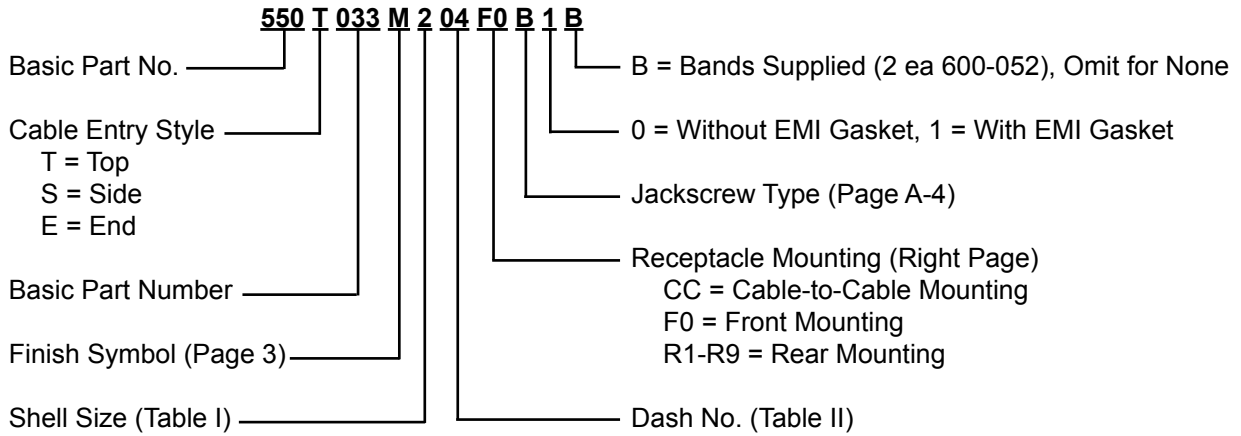


TABLE I: SHELL SIZE & ENTRY STYLE

Shell Size	Com'l Shell Size Ref	L Dia Style T Shell I.D.	M Dia Style E Shell I.D.	Max Entry Dash No.
1	E/09	.250 (6.4)	.375 (9.5)	02
2	A/15	.375 (9.5)	.375 (9.5)	04
3	B/25	.475 (12.1)	.475 (12.1)	05
4	C/37	.475 (12.1)	.475 (12.1)	05
5	D/50	.575 (14.6)	.575 (14.6)	07
6*	F/104	1.000 (25.4)	n/a	12

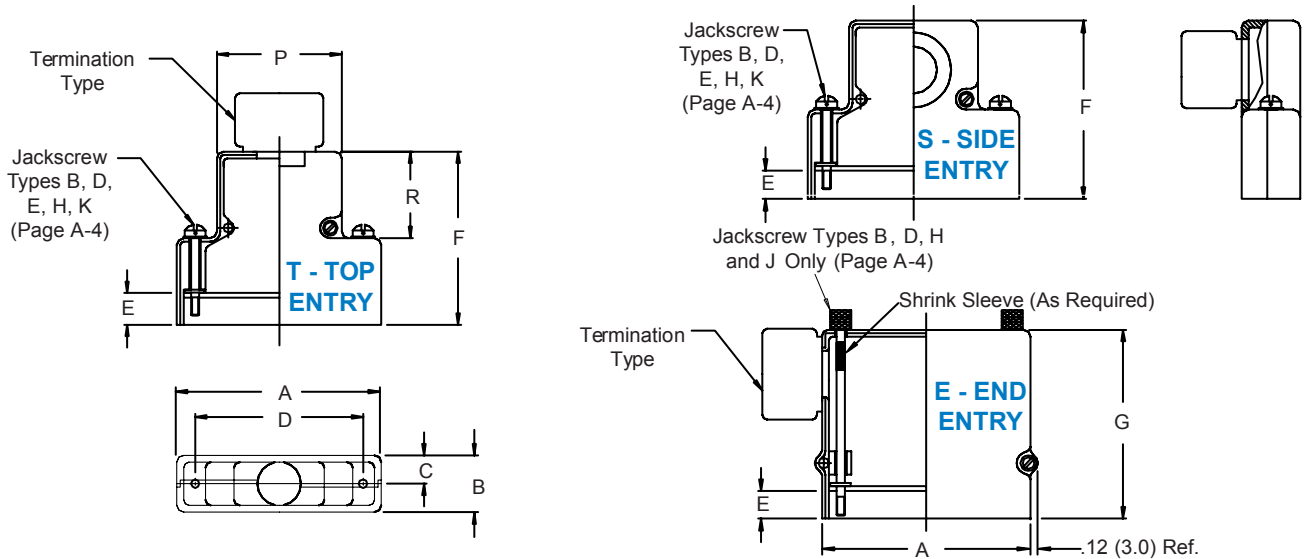
* Shell Size 6 Available in Top Entry Only.

TABLE II: BACKSHELL DIMS & CABLE ENTRY

Dash No.	H Dia	J Dia	K Dia
01	.125 (3.2)	.250 (6.4)	.312 (7.9)
02	.250 (6.4)	.375 (9.5)	.438 (11.1)
03	.312 (7.9)	.438 (11.1)	.500 (12.7)
04	.375 (9.5)	.500 (12.7)	.562 (14.3)
05	.438 (11.1)	.562 (14.3)	.625 (15.9)
06	.500 (12.7)	.625 (15.9)	.688 (17.5)
07	.562 (14.3)	.688 (17.5)	.750 (19.1)
08	.625 (15.9)	.750 (19.1)	.812 (20.6)
09	.687 (17.4)	.812 (20.6)	.875 (22.2)
10	.750 (19.1)	.875 (22.2)	.938 (23.8)
11	.812 (20.6)	.937 (23.8)	.969 (24.6)
12	.875 (22.2)	1.000 (25.4)	1.062 (27.0)

1. Metric dimensions (mm) are indicated in parentheses.
2. **DO NOT USE CONNECTORS WITH FLOAT MOUNTINGS.**

D-Subminiature Split Backshells Standard Dimensions



COMMON CONNECTOR/SHELL INTERFACE & BACKSHELL DIMENSIONS

Com'l Shell Size	Shell Ref	A Max	B Max	C Ref.	D ±.005 (.1)	P	R Ref
1	E/09	1.393 (35.4)	.624 (15.8)	.312 (7.9)	.984 (25.0)	.730 (18.5)	.719 (18.3)
2	A/15	1.706 (43.3)	.624 (15.8)	.312 (7.9)	1.312 (33.3)	1.050 (26.7)	.719 (18.3)
3	B/25	2.265 (57.5)	.624 (15.8)	.312 (7.9)	1.852 (47.0)	1.594 (40.5)	.938 (23.8)
4	C/37	2.900 (73.7)	.624 (15.8)	.312 (7.9)	2.500 (63.5)	2.240 (56.9)	.938 (23.8)
5	D/50	2.800 (71.1)	.750 (19.1)	.375 (9.5)	2.406 (61.1)	2.140 (54.4)	.938 (23.8)
6	F/104	2.900 (73.7)	.844 (21.4)	.422 (10.7)	2.500 (63.5)	2.240 (56.9)	1.094 (27.8)

CABLE MOUNTING AND BACKSHELL DIMENSIONS

Dash No.	Panel Thickness	E	F ± .031 (0.79)			G ± .031 (0.79)	
			Sizes 1 & 2	Sizes 3 - 5	Size 6	Sizes 1 & 2	Sizes 3 - 5
CC	n/a	.174 (4.4)	1.451 (36.9)	1.671 (42.4)	1.820 (46.2)	1.583 (40.2)	1.831 (46.5)
F0	n/a	.343 (8.7)	1.625 (41.3)	1.844 (46.8)	2.000 (50.8)	1.750 (44.5)	2.000 (50.8)
R1	.031 (.8)	.247 (6.3)	1.525 (38.7)	1.745 (44.3)	1.890 (48.0)	1.656 (42.1)	1.904 (48.4)
R2	.047 (1.2)	.231 (5.9)	1.509 (38.3)	1.728 (43.9)	1.875 (47.6)	1.640 (41.7)	1.888 (48.0)
R3	.062 (1.6)	.216 (5.5)	1.500 (38.1)	1.720 (43.7)	1.860 (47.2)	1.625 (41.3)	1.873 (47.6)
R4	.093 (2.4)	.185 (4.7)	1.470 (37.3)	1.690 (42.9)	1.829 (46.5)	1.594 (40.5)	1.842 (46.8)
R5	.104 (2.6)	.174 (4.4)	1.451 (36.9)	1.671 (42.4)	1.820 (46.2)	1.583 (40.2)	1.831 (46.5)
R6	.125 (3.2)	.153 (3.9)	1.430 (36.3)	1.650 (41.9)	1.798 (45.7)	1.563 (39.7)	1.811 (46.0)
R7	.156 (4.0)	.125 (3.2)	1.400 (35.6)	1.620 (41.1)	1.767 (44.9)	1.531 (38.9)	1.781 (45.2)
R8	.135 (3.4)	.140 (3.6)	1.417 (36.0)	1.637 (41.6)	1.805 (45.8)	1.550 (39.4)	1.798 (45.7)
R9	.188 (4.8)	.094 (2.4)	1.368 (34.7)	1.590 (40.4)	1.740 (44.2)	1.500 (38.1)	1.750 (44.5)

Metric dimensions (mm) are indicated in parentheses.



550-039 D-Subminiature Banding Split Backshell

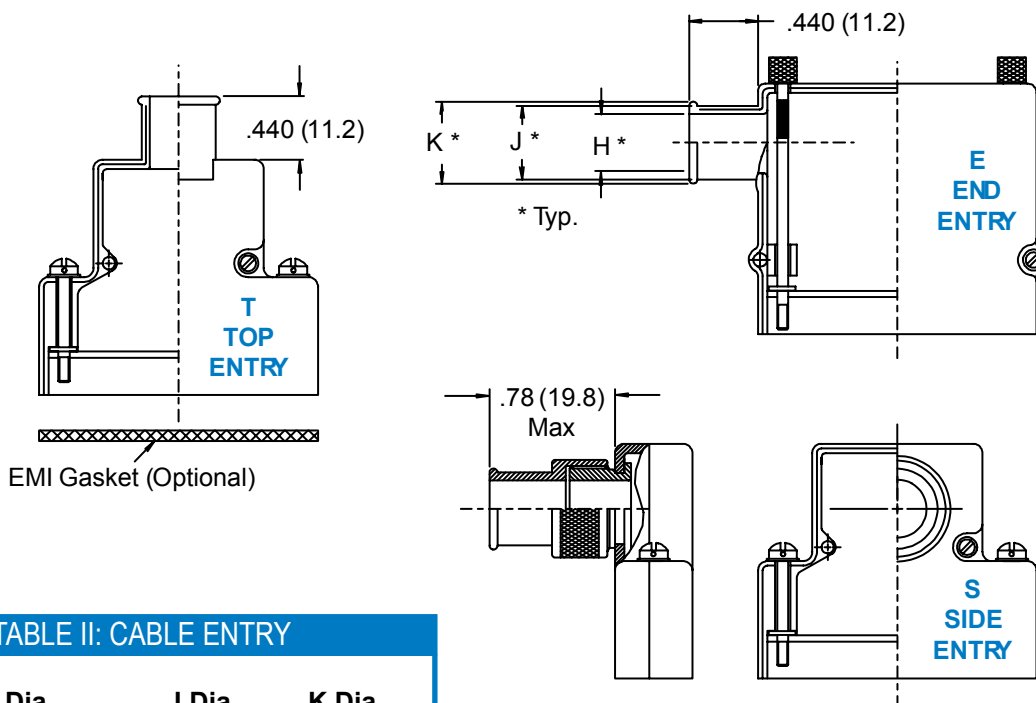
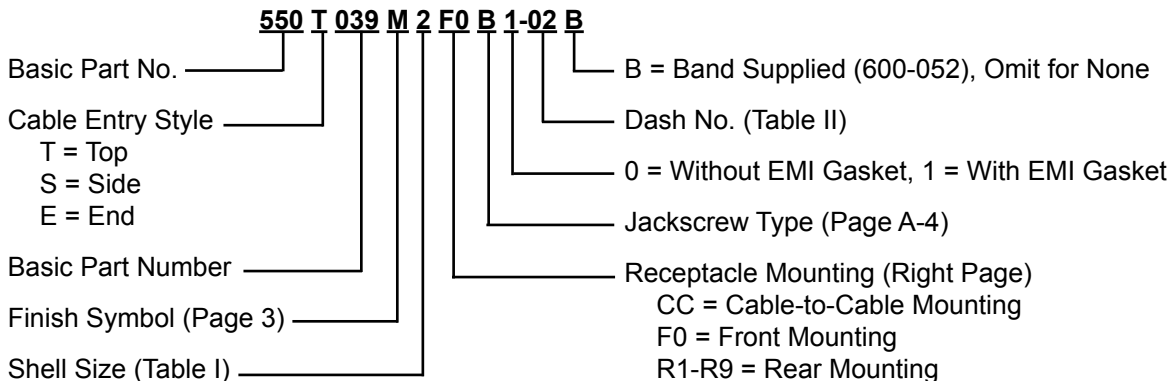


TABLE II: CABLE ENTRY

Dash No.	H Dia	J Dia	K Dia
01	.125 (3.2)	.250 (6.4)	.312 (7.9)
02	.250 (6.4)	.375 (9.5)	.438 (11.1)
03	.312 (7.9)	.438 (11.1)	.500 (12.7)
04	.395 (10.0)	.500 (12.7)	.562 (14.3)
05	.438 (11.1)	.562 (14.3)	.625 (15.9)
06	.500 (12.7)	.625 (15.9)	.688 (17.5)
07	.562 (14.3)	.688 (17.5)	.750 (19.1)
08	.624 (15.8)	.750 (19.1)	.812 (20.6)
09	.688 (17.5)	.812 (20.6)	.875 (22.2)
10	.750 (19.1)	.875 (22.2)	.937 (23.8)
11	.812 (20.6)	.937 (23.8)	1.000 (25.4)
12	.875 (22.2)	1.000 (25.4)	1.125 (28.6)
13	.937 (23.8)	1.062 (27.0)	1.187 (30.1)
14	1.000 (25.4)	1.125 (28.6)	1.250 (31.8)

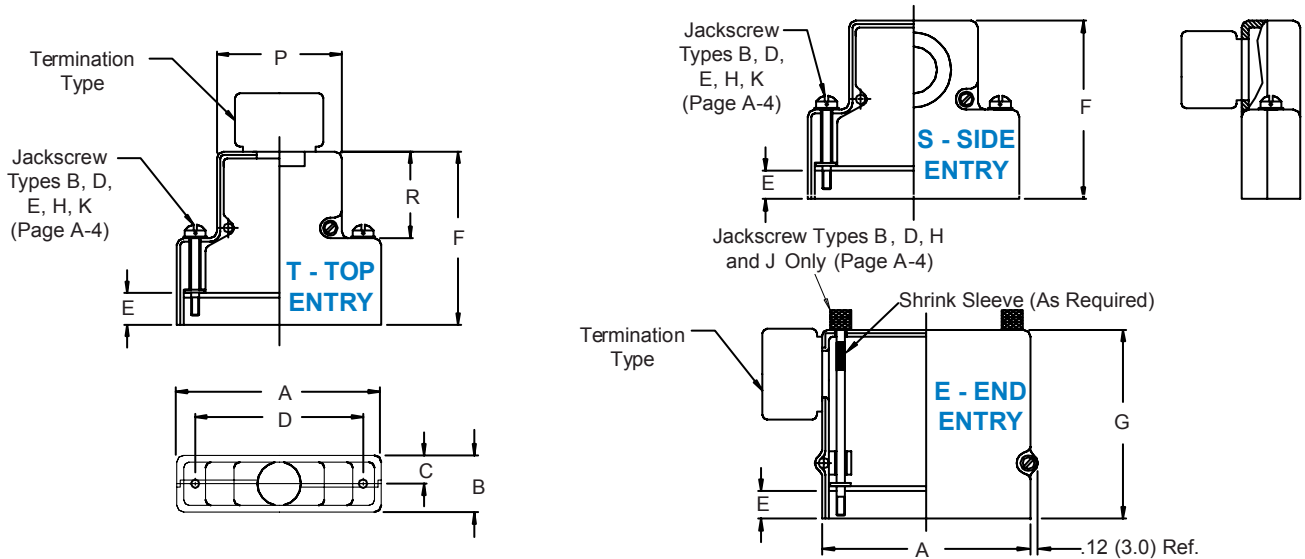
TABLE I: SHELL SIZE

Shell Size	Com'l Shell Size Ref	Max Entry Dash No. (Style T and E)
1	E/09	05
2	A/15	05
3	B/25	05
4	C/37	08*
5	D/50	08
6	F/104	14

* Shell Size 4 Max Entry 07 for Style E

1. Metric dimensions (mm) are indicated in parentheses.
2. **DO NOT USE CONNECTORS WITH FLOAT MOUNTINGS.**

D-Subminiature Split Backshells Standard Dimensions



COMMON CONNECTOR/SHELL INTERFACE & BACKSHELL DIMENSIONS

Com'l Shell Size	Shell Ref	A Max	B Max	C Ref.	D ±.005 (.1)	P	R Ref
1	E/09	1.393 (35.4)	.624 (15.8)	.312 (7.9)	.984 (25.0)	.730 (18.5)	.719 (18.3)
2	A/15	1.706 (43.3)	.624 (15.8)	.312 (7.9)	1.312 (33.3)	1.050 (26.7)	.719 (18.3)
3	B/25	2.265 (57.5)	.624 (15.8)	.312 (7.9)	1.852 (47.0)	1.594 (40.5)	.938 (23.8)
4	C/37	2.900 (73.7)	.624 (15.8)	.312 (7.9)	2.500 (63.5)	2.240 (56.9)	.938 (23.8)
5	D/50	2.800 (71.1)	.750 (19.1)	.375 (9.5)	2.406 (61.1)	2.140 (54.4)	.938 (23.8)
6	F/104	2.900 (73.7)	.844 (21.4)	.422 (10.7)	2.500 (63.5)	2.240 (56.9)	1.094 (27.8)

CABLE MOUNTING AND BACKSHELL DIMENSIONS

Dash No.	Panel Thickness	E	F ± .031 (0.79)			G ± .031 (0.79)	
			Sizes 1 & 2	Sizes 3 - 5	Size 6	Sizes 1 & 2	Sizes 3 - 5
CC	n/a	.174 (4.4)	1.451 (36.9)	1.671 (42.4)	1.820 (46.2)	1.583 (40.2)	1.831 (46.5)
F0	n/a	.343 (8.7)	1.625 (41.3)	1.844 (46.8)	2.000 (50.8)	1.750 (44.5)	2.000 (50.8)
R1	.031 (.8)	.247 (6.3)	1.525 (38.7)	1.745 (44.3)	1.890 (48.0)	1.656 (42.1)	1.904 (48.4)
R2	.047 (1.2)	.231 (5.9)	1.509 (38.3)	1.728 (43.9)	1.875 (47.6)	1.640 (41.7)	1.888 (48.0)
R3	.062 (1.6)	.216 (5.5)	1.500 (38.1)	1.720 (43.7)	1.860 (47.2)	1.625 (41.3)	1.873 (47.6)
R4	.093 (2.4)	.185 (4.7)	1.470 (37.3)	1.690 (42.9)	1.829 (46.5)	1.594 (40.5)	1.842 (46.8)
R5	.104 (2.6)	.174 (4.4)	1.451 (36.9)	1.671 (42.4)	1.820 (46.2)	1.583 (40.2)	1.831 (46.5)
R6	.125 (3.2)	.153 (3.9)	1.430 (36.3)	1.650 (41.9)	1.798 (45.7)	1.563 (39.7)	1.811 (46.0)
R7	.156 (4.0)	.125 (3.2)	1.400 (35.6)	1.620 (41.1)	1.767 (44.9)	1.531 (38.9)	1.781 (45.2)
R8	.135 (3.4)	.140 (3.6)	1.417 (36.0)	1.637 (41.6)	1.805 (45.8)	1.550 (39.4)	1.798 (45.7)
R9	.188 (4.8)	.094 (2.4)	1.368 (34.7)	1.590 (40.4)	1.740 (44.2)	1.500 (38.1)	1.750 (44.5)

Metric dimensions (mm) are indicated in parentheses.



550-041 D-Subminiature TAG Ring® Split Backshell with Shrink Boot Groove

550 T 041 M 2 F0 B 1 L T

Basic Part No. ————
 Cable Entry Style ————
 T = Top
 S = Side
 E = End
 Basic Part Number ————
 Finish Symbol (Page 3) ————
 Shell Size (Table I) ————

Shrink Boot Supplied (Table I), Omit for None
 L = Strain Relief, G = Gland Nut
 0 = Without EMI Gasket, 1 = With EMI Gasket
 Jackscrew Type (Page A-4)
 Receptacle Mounting (Right Page)
 F0 = Front Mounting
 R1-R9 = Rear Mounting

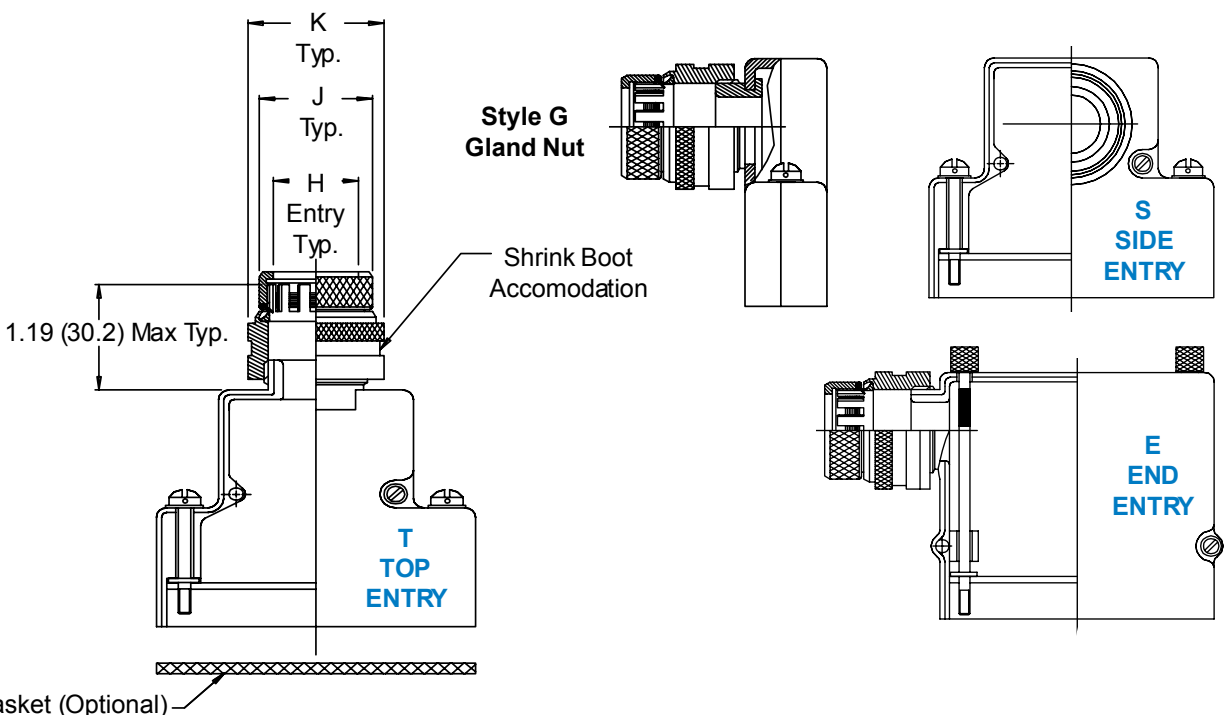
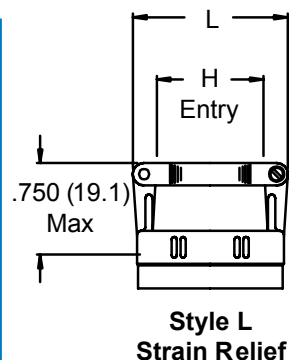


TABLE I: SHELL SIZE, CABLE ENTRY & SHRINK BOOT

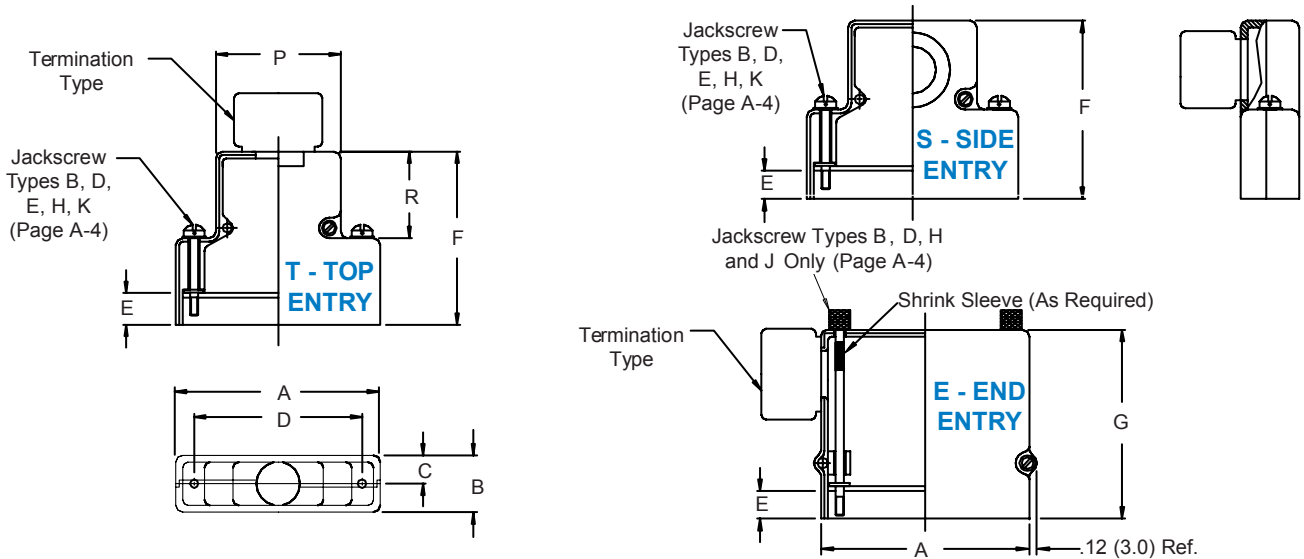
Shell Size	H Entry	J Max	K Dia Max	L Max	Shrink Boot
1	.250 (6.4)	.545 (13.8)	.650 (16.5)	.968 (24.6)	202K121-25-0
2	.375 (9.5)	.670 (17.0)	.774 (19.7)	1.046 (26.6)	202K132-25-0
3	.475 (12.1)	.795 (20.2)	.963 (24.5)	1.156 (29.4)	202K142-25-0
4	.475 (12.1)	.795 (20.2)	.963 (24.5)	1.156 (29.4)	202K142-25-0
5	.575 (14.6)	.920 (23.4)	1.042 (26.5)	1.218 (30.9)	202K153-25-0
6*	1.000 (25.4)	1.295 (32.9)	1.420 (36.1)	1.593 (40.5)	202K163-25-0

* Shell Size 6 Available in Top Entry Only.



1. Metric dimensions (mm) are indicated in parentheses.
2. **DO NOT USE CONNECTORS WITH FLOAT MOUNTINGS.**
3. TAG Ring® nut is aluminum with gold iridite finish. TAG Ring® spring is beryllium copper with gold plating.

D-Subminiature Split Backshells Standard Dimensions



COMMON CONNECTOR/SHELL INTERFACE & BACKSHELL DIMENSIONS

Com'l Shell Size	Shell Ref	A Max	B Max	C Ref.	D ±.005 (.1)	P	R Ref
1	E/09	1.393 (35.4)	.624 (15.8)	.312 (7.9)	.984 (25.0)	.730 (18.5)	.719 (18.3)
2	A/15	1.706 (43.3)	.624 (15.8)	.312 (7.9)	1.312 (33.3)	1.050 (26.7)	.719 (18.3)
3	B/25	2.265 (57.5)	.624 (15.8)	.312 (7.9)	1.852 (47.0)	1.594 (40.5)	.938 (23.8)
4	C/37	2.900 (73.7)	.624 (15.8)	.312 (7.9)	2.500 (63.5)	2.240 (56.9)	.938 (23.8)
5	D/50	2.800 (71.1)	.750 (19.1)	.375 (9.5)	2.406 (61.1)	2.140 (54.4)	.938 (23.8)
6	F/104	2.900 (73.7)	.844 (21.4)	.422 (10.7)	2.500 (63.5)	2.240 (56.9)	1.094 (27.8)

CABLE MOUNTING AND BACKSHELL DIMENSIONS

Dash No.	Panel Thickness	E	F ± .031 (0.79)			G ± .031 (0.79)	
			Sizes 1 & 2	Sizes 3 - 5	Size 6	Sizes 1 & 2	Sizes 3 - 5
CC	n/a	.174 (4.4)	1.451 (36.9)	1.671 (42.4)	1.820 (46.2)	1.583 (40.2)	1.831 (46.5)
F0	n/a	.343 (8.7)	1.625 (41.3)	1.844 (46.8)	2.000 (50.8)	1.750 (44.5)	2.000 (50.8)
R1	.031 (.8)	.247 (6.3)	1.525 (38.7)	1.745 (44.3)	1.890 (48.0)	1.656 (42.1)	1.904 (48.4)
R2	.047 (1.2)	.231 (5.9)	1.509 (38.3)	1.728 (43.9)	1.875 (47.6)	1.640 (41.7)	1.888 (48.0)
R3	.062 (1.6)	.216 (5.5)	1.500 (38.1)	1.720 (43.7)	1.860 (47.2)	1.625 (41.3)	1.873 (47.6)
R4	.093 (2.4)	.185 (4.7)	1.470 (37.3)	1.690 (42.9)	1.829 (46.5)	1.594 (40.5)	1.842 (46.8)
R5	.104 (2.6)	.174 (4.4)	1.451 (36.9)	1.671 (42.4)	1.820 (46.2)	1.583 (40.2)	1.831 (46.5)
R6	.125 (3.2)	.153 (3.9)	1.430 (36.3)	1.650 (41.9)	1.798 (45.7)	1.563 (39.7)	1.811 (46.0)
R7	.156 (4.0)	.125 (3.2)	1.400 (35.6)	1.620 (41.1)	1.767 (44.9)	1.531 (38.9)	1.781 (45.2)
R8	.135 (3.4)	.140 (3.6)	1.417 (36.0)	1.637 (41.6)	1.805 (45.8)	1.550 (39.4)	1.798 (45.7)
R9	.188 (4.8)	.094 (2.4)	1.368 (34.7)	1.590 (40.4)	1.740 (44.2)	1.500 (38.1)	1.750 (44.5)

Metric dimensions (mm) are indicated in parentheses.



550-048 D-Subminiature Split Tinel-Lock™ Banding Backshell

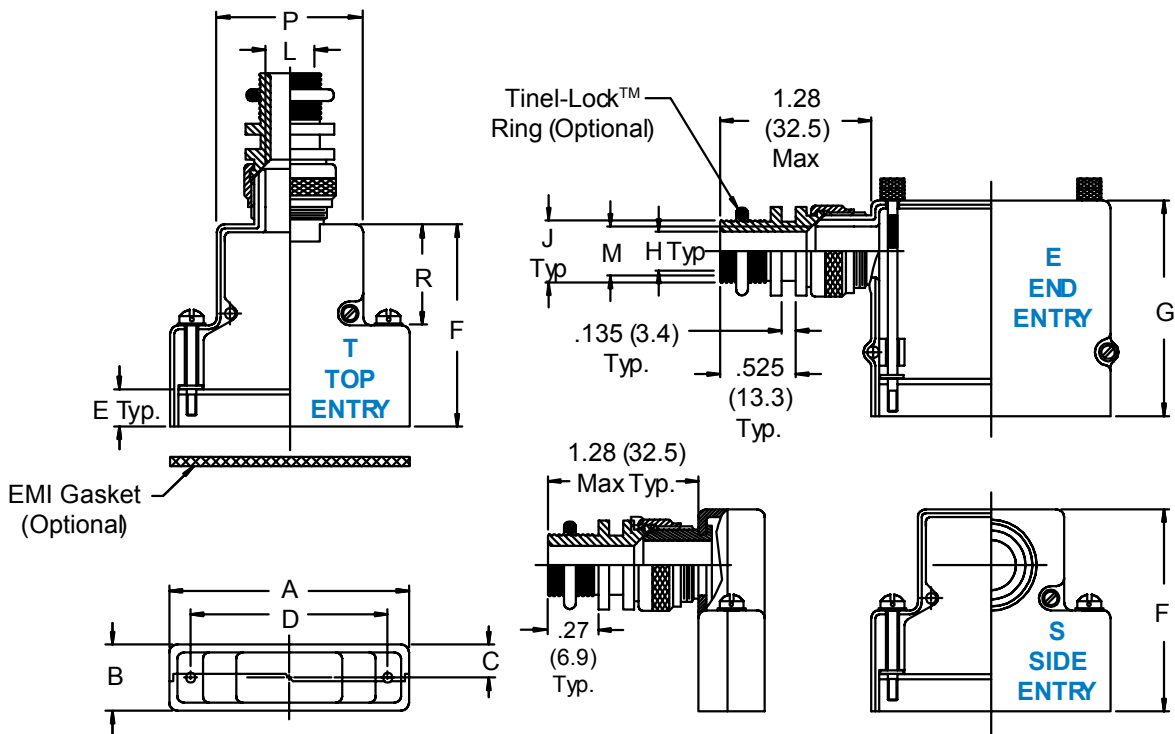
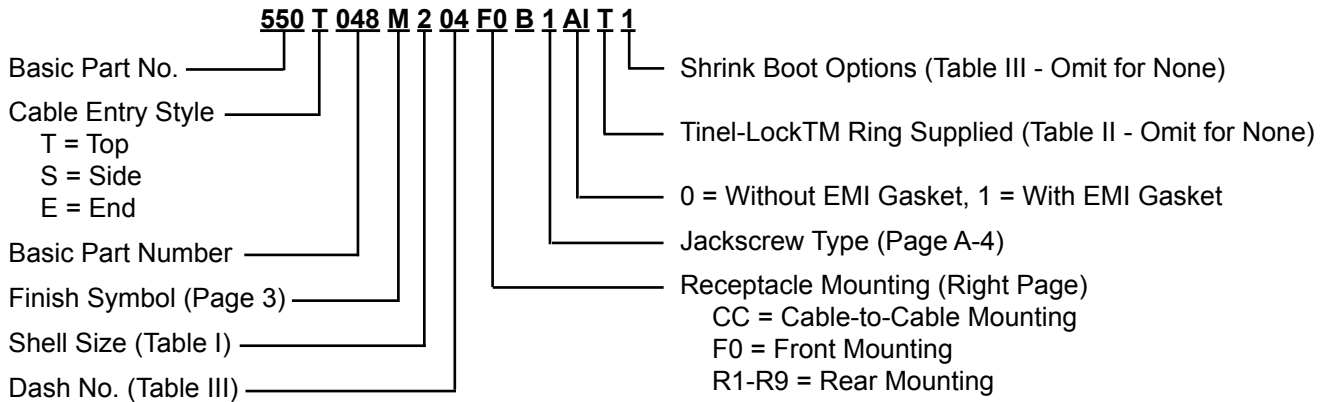


TABLE I: SHELL SIZE & ENTRY STYLE

Com'l Shell Size	Shell Ref	L Dia Style T Shell I.D.	M Dia Style E Shell I.D.	Max Entry Dash No. (Table III)
1	E/09	.250 (6.4)	.375 (9.5)	01
2	A/15	.375 (9.5)	.375 (9.5)	03
3	B/25	.475 (12.1)	.475 (12.1)	04
4	C/37	.475 (12.1)	.475 (12.1)	04
5	D/50	.575 (14.6)	.575 (14.6)	05
6	F/104	1.000 (25.4)	1.000 (25.4)	09

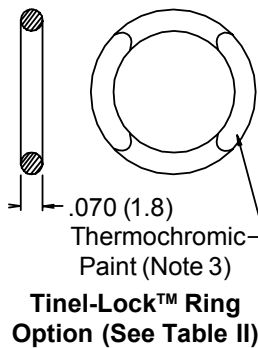


TABLE II: BRAID & RING

Braid Type	Ring Desig.
Single Layer 36 AWG	AI
Single Layer 34 AWG	AI
Single Layer 32 AWG	BI
Single Layer 30 AWG	BI
Double Layer 36 AWG	BI
Double Layer 34 AWG	BI
Double Layer 32 AWG	CI

550-048
D-Subminiature Split
Tinel-Lock™ Banding Backshell



MIL-DTL-24308
D-Subminiature

TABLE III: SHRINK BOOT

Dash No.	H Dia	J Dia Max	Shrink Boot Option T1*	Shrink Boot Option T2*	Tinel-Lock™ Ring Entry Size
01	.250 (6.4)	.375 (9.5)	202K121-25-0	202K121-100-0	04
02	.312 (7.9)	.437 (11.1)	202K132-25-0	202K132-100-0	05
03	.375 (9.5)	.500 (12.7)	202K132-25-0	202K132-100-0	06
04	.438 (11.1)	.562 (14.3)	202K142-25-0	202K142-100-0	07
05	.500 (12.7)	.625 (15.9)	202K142-25-0	202K142-100-0	08
06	.625 (15.9)	.750 (19.1)	202K153-25-0	202K153-100-0	10
07	.750 (19.1)	.875 (22.2)	202K153-25-0	202K153-100-0	12
08	.875 (22.2)	1.000 (25.4)	202K163-25-0	202K163-100-0	14
09	1.000 (25.4)	1.125 (28.6)	202K163-25-0	202K163-100-0	16

- Metric dimensions (mm) are indicated in parentheses.
- DO NOT USE CONNECTORS WITH FLOAT MOUNTINGS.**
- The Tinel-Lock™ Ring designator must be specified according to the type of cable braid used. Tinel-Lock™ Rings are marked with thermochromic paint which changes color when the correct installation temperature is reached. BI rings are identified with a red spot. CI rings are identified with a blue spot.

- * Raychem Shrink Boot and Epoxy/Polyamide Two Part Adhesive Paste (S1125) Supplied with "T1" Option (See Part Number Development)
- ** Raychem Shrink Boot and Hot-Melt/Polyolyfin Adhesive Supplied with "T2" Option (See Part Number Development) - This is a Halogen Free System

COMMON BACKSHELL DIMENSIONS

Com'l Shell Size	Shell Size Ref	A Max	B Max	C Ref.	D ±.005 (.1)	P	R Ref
1	E/09	1.393 (35.4)	.624 (15.8)	.312 (7.9)	.984 (25.0)	.730 (18.5)	.719 (18.3)
2	A/15	1.706 (43.3)	.624 (15.8)	.312 (7.9)	1.312 (33.3)	1.050 (26.7)	.719 (18.3)
3	B/25	2.265 (57.5)	.624 (15.8)	.312 (7.9)	1.852 (47.0)	1.594 (40.5)	.938 (23.8)
4	C/37	2.900 (73.7)	.624 (15.8)	.312 (7.9)	2.500 (63.5)	2.240 (56.9)	.938 (23.8)
5	D/50	2.800 (71.1)	.750 (19.1)	.375 (9.5)	2.406 (61.1)	2.140 (54.4)	.938 (23.8)
6	F/104	2.900 (73.7)	.844 (21.4)	.422 (10.7)	2.500 (63.5)	2.240 (56.9)	1.094 (27.8)

CABLE MOUNTING DIMENSIONS

Dash No.	Panel Thickness	E	F ± .031 (0.79)			G ± .031 (0.79)	
			Sizes 1 & 2	Sizes 3 - 5	Size 6	Sizes 1 & 2	Sizes 3 - 5
CC	n/a	.174 (4.4)	1.451 (36.9)	1.671 (42.4)	1.820 (50.8)	1.583 (40.2)	1.831 (46.5)
F0	n/a	.343 (8.7)	1.625 (41.3)	1.844 (46.8)	2.000 (50.8)	1.750 (44.5)	1.831 (46.5)
R1	.031 (.8)	.247 (6.3)	1.525 (38.7)	1.745 (44.3)	1.890 (48.0)	1.656 (42.1)	2.000 (50.8)
R2	.047 (1.2)	.231 (5.9)	1.509 (38.3)	1.728 (43.9)	1.875 (47.6)	1.640 (41.7)	1.904 (48.4)
R3	.062 (1.6)	.216 (5.5)	1.500 (38.1)	1.720 (43.7)	1.860 (47.2)	1.625 (41.3)	1.888 (48.0)
R4	.093 (2.4)	.185 (4.7)	1.470 (37.3)	1.690 (42.9)	1.829 (46.5)	1.594 (40.5)	1.873 (47.6)
R5	.104 (2.6)	.174 (4.4)	1.451 (36.9)	1.671 (42.4)	1.820 (46.2)	1.583 (40.2)	1.842 (46.8)
R6	.125 (3.2)	.153 (3.9)	1.430 (36.3)	1.650 (41.9)	1.798 (45.7)	1.563 (39.7)	1.831 (46.5)
R7	.156 (4.0)	.125 (3.2)	1.400 (35.6)	1.620 (41.1)	1.767 (44.9)	1.531 (38.9)	1.811 (46.0)
R8	.135 (3.4)	.140 (3.6)	1.417 (36.0)	1.637 (41.6)	1.805 (45.8)	1.550 (39.4)	1.781 (45.2)
R9	.188 (4.8)	.094 (2.4)	1.368 (34.7)	1.590 (40.4)	1.740 (44.2)	1.500 (38.1)	1.798 (45.7)



550-100 Non-EMI D-Subminiature Split Backshell

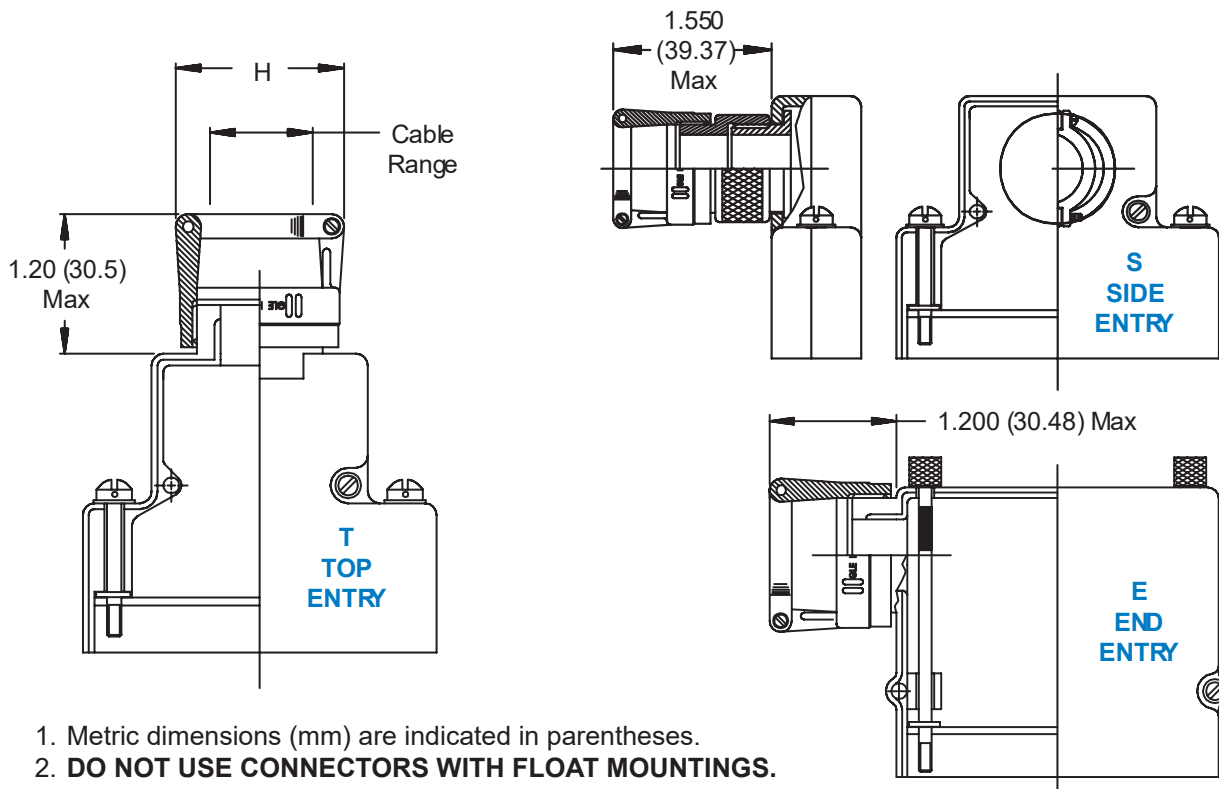
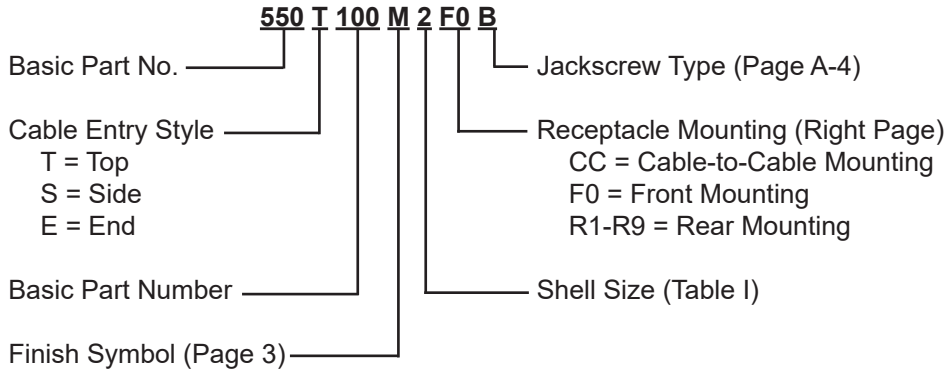


TABLE I: SHELL SIZE, CABLE ENTRY & STYLE

Shell Size	Com'l Shell Size Ref	H Max	Entry Styles S & T Cable Range		Entry Style E Cable Range	
			Min	Max	Min	Max
1	E/09	1.046 (26.6)	.125 (3.2)	.250 (6.4)	.250 (6.4)	.375 (9.5)
2	A/15	1.046 (26.6)	.250 (6.4)	.375 (9.5)	.250 (6.4)	.375 (9.5)
3	B/25	1.156 (29.4)	.312 (7.9)	.475 (12.1)	.312 (7.9)	.475 (12.1)
4	C/37	1.156 (29.4)	.312 (7.9)	.475 (12.1)	.312 (7.9)	.475 (12.1)
5	D/50	1.218 (30.9)	.437 (11.1)	.575 (14.6)	.437 (11.1)	.575 (14.6)
6*	F/104	1.594 (40.5)	.812 (20.6)	1.000 (25.4)	n/a	n/a

* Shell Size 6 Available in Top Entry Only.

550-100 Non-EMI D-Subminiature Split Backshell



MIL-DTL-24308
D-Subminiature

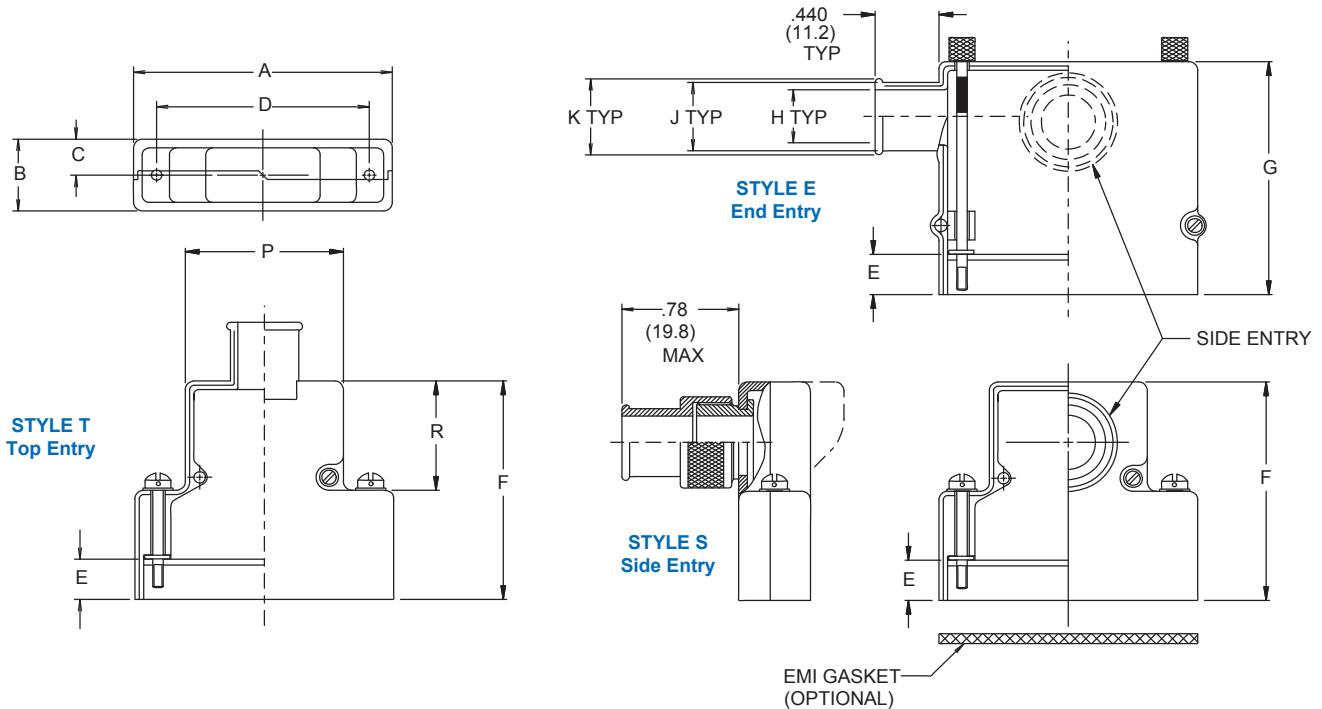


Table I: Common Connector/Shell Interface and Backshell Dimensions

Shell Size	Com'l Shell Size Ref.	A Max.		B Max.		C		D ±.005 (.1)		P		R Ref.	
		In.	mm	In.	mm	In.	mm	In.	mm	In.	mm	In.	mm
1	E/09	1.393	35.4	.624	15.8	.624	7.9	.984	25.0	.730	18.5	.719	18.3
2	A/15	1.706	43.3	.624	15.8	.624	7.9	1.312	33.3	1.050	26.7	.719	18.3
3	B/25	2.265	57.5	.624	15.8	.624	7.9	1.852	47.0	1.594	40.5	.938	23.8
4	C/37	2.900	73.7	.624	15.8	.624	7.9	2.500	63.5	2.240	56.9	.938	23.8
5	D/50	2.800	73.1	.750	19.1	.750	9.5	2.406	61.1	2.140	54.4	.938	23.8
6	F/104	2.900	73.7	.844	21.4	.844	10.7	2.500	63.5	2.240	56.9	1.094	27.8

Table III: Cable Mounting and Backshell Dimensions

Dash No.	Panel Thickness		E		F									
					Size 1 and 2		Size 3-5		Size 6		Size 1 and 2		Size 3-6	
	In.	mm	In.	mm	In.	mm	In.	mm	In.	mm	In.	mm	In.	mm
CC	N/A		.185	4.7	1.467	37.3	1.686	42.8	1.842	46.8	1.592	40.4	1.842	46.8
F0	N/A		.343	8.7	1.625	41.3	1.844	46.8	2.000	50.8	1.750	44.5	2.000	50.8
R1	.031	.8	.247	6.3	1.529	38.8	1.748	44.4	1.904	48.4	1.654	42.0	1.904	48.4
R2	.047	1.2	.231	5.9	1.513	38.4	1.732	44.0	1.888	48.0	1.638	41.6	1.888	48.0
R3	.062	1.6	.216	5.5	1.498	38.0	1.717	43.6	1.873	47.6	1.623	41.2	1.873	47.6
R4	.093	2.4	.185	4.7	1.467	37.3	1.686	42.8	1.842	46.8	1.592	40.4	1.842	46.8
R5	.104	2.6	.174	4.4	1.456	37.0	1.675	42.5	1.831	46.5	1.581	40.2	1.831	46.5
R6	.125	3.2	.153	3.9	1.435	36.4	1.654	42.0	1.810	46.0	1.560	39.6	1.810	46.0
R7	.156	4.0	.125	3.2	1.407	35.7	1.626	41.3	1.782	45.3	1.532	38.9	1.782	45.3
R8	.135	3.4	.140	3.6	1.422	36.1	1.641	41.7	1.797	45.7	1.547	39.3	1.797	45.7
R9	.188	4.8	.094	2.4	1.376	34.9	1.595	40.5	1.751	44.5	1.501	38.1	1.751	44.5

Metric dimensions (mm) are indicated in parentheses.



550-101 D-Subminiature Retro-Fit Non-EMI Strain-Relief Split Backshell

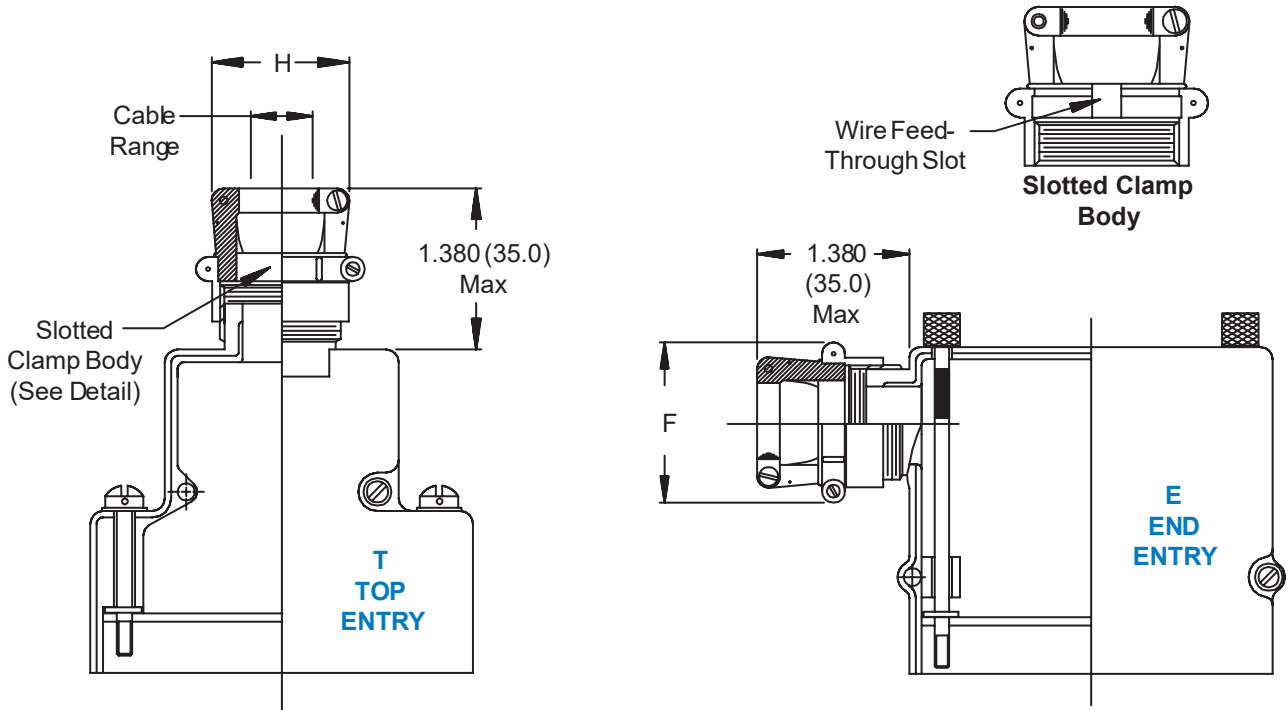
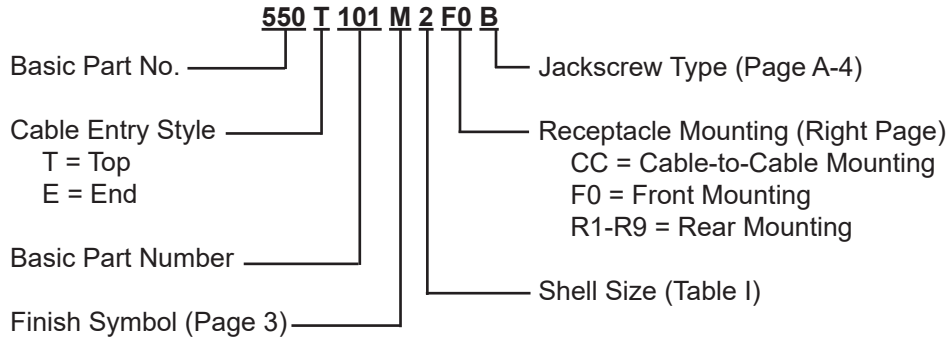


TABLE I: SHELL SIZE, CABLE ENTRY AND STYLE

Shell Size	Com'l Shell Size Ref	F Max	H Max	Entry Style T Cable Range		Entry Style E Cable Range	
				Min	Max	Min	Max
1	E/09	1.190 (30.2)	1.062 (27.0)	.125 (3.2)	.250 (6.4)	.250 (6.4)	.375 (9.5)
2	A/15	1.320 (33.5)	1.062 (27.0)	.250 (6.4)	.375 (9.5)	.250 (6.4)	.375 (9.5)
3	B/25	1.440 (36.6)	1.156 (29.4)	.312 (7.9)	.475 (12.1)	.312 (7.9)	.475 (12.1)
4	C/37	1.440 (36.6)	1.156 (29.4)	.312 (7.9)	.475 (12.1)	.312 (7.9)	.475 (12.1)
5	D/50	1.560 (39.6)	1.335 (33.9)	.437 (11.1)	.575 (14.6)	.437 (11.1)	.575 (14.6)

1. Metric dimensions (mm) are indicated in parentheses.
2. **DO NOT USE CONNECTORS WITH FLOAT MOUNTINGS.**

D-Subminiature Split Backshells Standard Dimensions

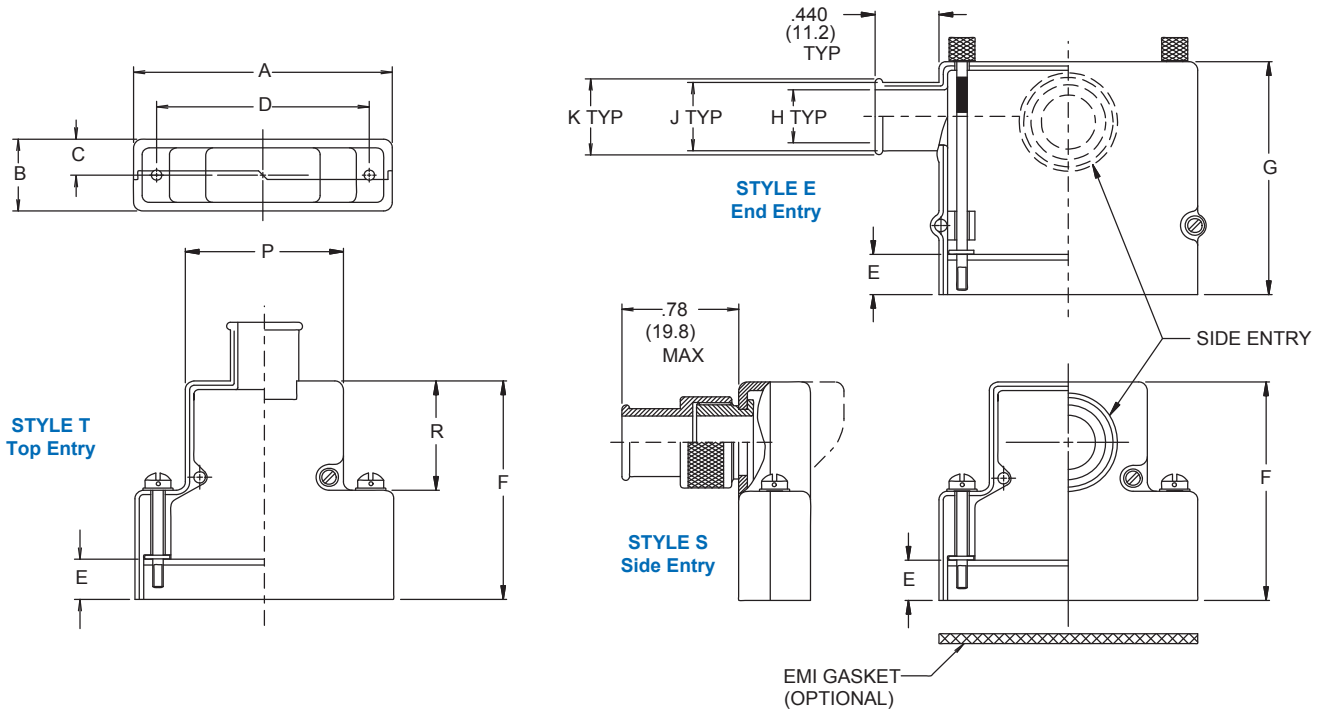


Table I: Common Connector/Shell Interface and Backshell Dimensions

Shell Size	Com'l Shell Size Ref.	A Max.		B Max.		C		D ±.005 (.1)		P		R Ref.	
		In.	mm	In.	mm	In.	mm	In.	mm	In.	mm	In.	mm
1	E/09	1.393	35.4	.624	15.8	.624	7.9	.984	25.0	.730	18.5	.719	18.3
2	A/15	1.706	43.3	.624	15.8	.624	7.9	1.312	33.3	1.050	26.7	.719	18.3
3	B/25	2.265	57.5	.624	15.8	.624	7.9	1.852	47.0	1.594	40.5	.938	23.8
4	C/37	2.900	73.7	.624	15.8	.624	7.9	2.500	63.5	2.240	56.9	.938	23.8
5	D/50	2.800	73.1	.750	19.1	.750	9.5	2.406	61.1	2.140	54.4	.938	23.8
6	F/104	2.900	73.7	.844	21.4	.844	10.7	2.500	63.5	2.240	56.9	1.094	27.8

Table III: Cable Mounting and Backshell Dimensions

Dash No.	Panel Thickness		E		F									
					Size 1 and 2		Size 3-5		Size 6		Size 1 and 2		Size 3-6	
	In.	mm	In.	mm	In.	mm	In.	mm	In.	mm	In.	mm	In.	mm
CC	N/A		.185	4.7	1.467	37.3	1.686	42.8	1.842	46.8	1.592	40.4	1.842	46.8
F0	N/A		.343	8.7	1.625	41.3	1.844	46.8	2.000	50.8	1.750	44.5	2.000	50.8
R1	.031	.8	.247	6.3	1.529	38.8	1.748	44.4	1.904	48.4	1.654	42.0	1.904	48.4
R2	.047	1.2	.231	5.9	1.513	38.4	1.732	44.0	1.888	48.0	1.638	41.6	1.888	48.0
R3	.062	1.6	.216	5.5	1.498	38.0	1.717	43.6	1.873	47.6	1.623	41.2	1.873	47.6
R4	.093	2.4	.185	4.7	1.467	37.3	1.686	42.8	1.842	46.8	1.592	40.4	1.842	46.8
R5	.104	2.6	.174	4.4	1.456	37.0	1.675	42.5	1.831	46.5	1.581	40.2	1.831	46.5
R6	.125	3.2	.153	3.9	1.435	36.4	1.654	42.0	1.810	46.0	1.560	39.6	1.810	46.0
R7	.156	4.0	.125	3.2	1.407	35.7	1.626	41.3	1.782	45.3	1.532	38.9	1.782	45.3
R8	.135	3.4	.140	3.6	1.422	36.1	1.641	41.7	1.797	45.7	1.547	39.3	1.797	45.7
R9	.188	4.8	.094	2.4	1.376	34.9	1.595	40.5	1.751	44.5	1.501	38.1	1.751	44.5

Metric dimensions (mm) are indicated in parentheses.



550-102 D-Subminiature Qwik-Ty® Strain-Relief Split Backshell

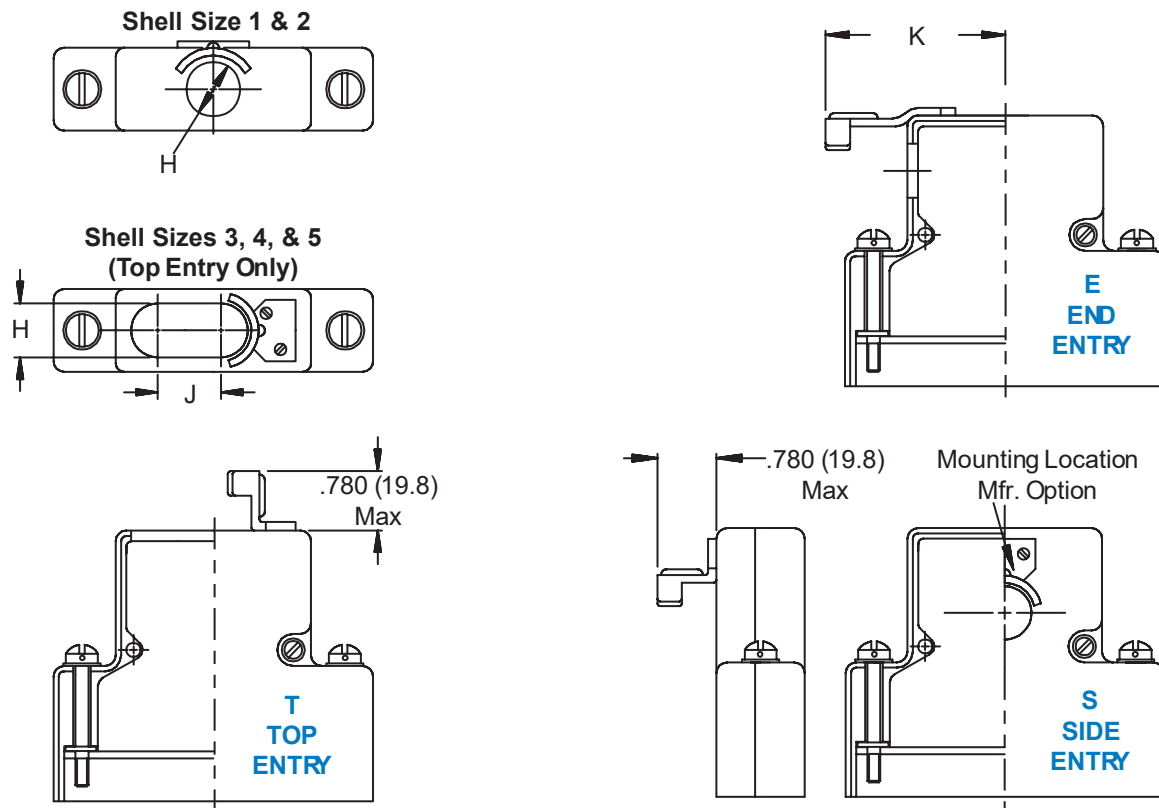
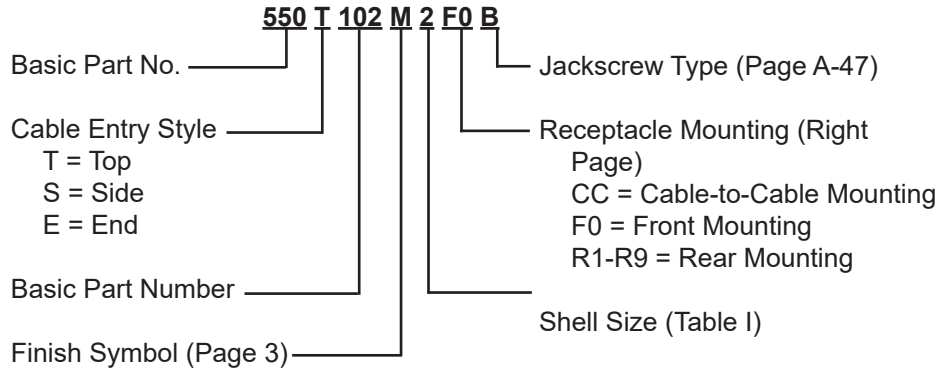
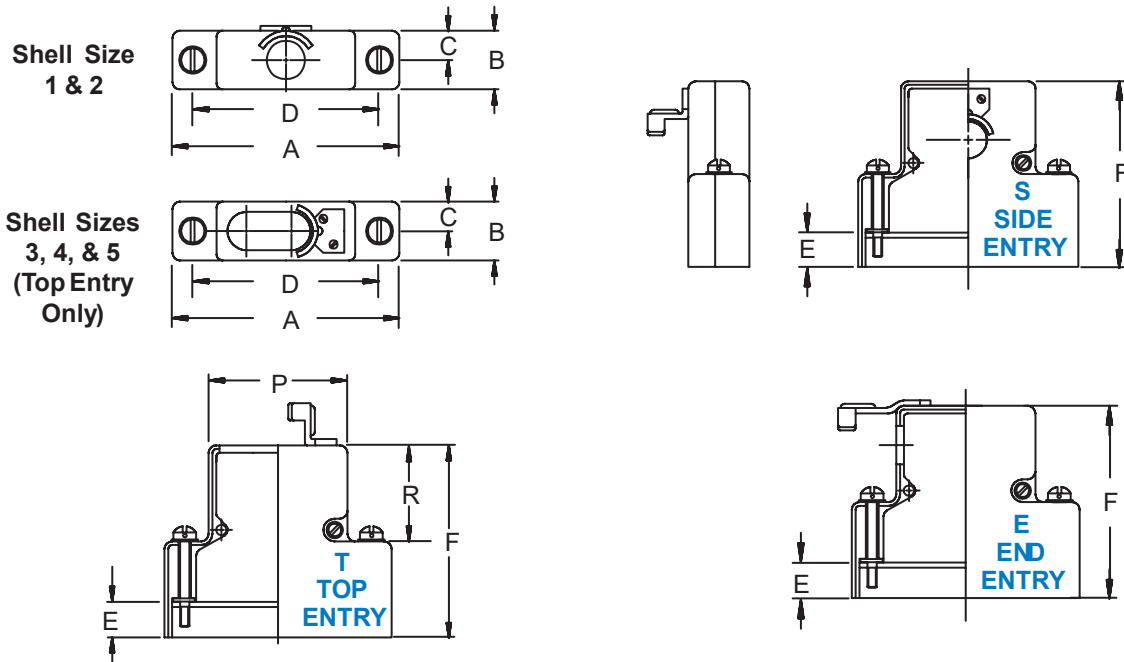


TABLE I: SHELL SIZE & CABLE ENTRY					
Shell Size	Com'l Shell Size Ref	H Entry	J Dim	K Max	
1	E/09	.437 (11.1)	n/a	1.08 (27.4)	
2	A/15	.500 (12.7)	n/a	1.25 (31.8)	
3	B/25	.500 (12.7)	.200 (5.1)	1.52 (38.6)	
4	C/37	.500 (12.7)	.600 (15.2)	1.84 (46.7)	
5	D/50	.600 (15.2)	.500 (12.7)	1.79 (45.5)	
6*	F/104	1.000 (25.4)	n/a	1.84 (46.7)	

*Shell size 6 available in Top Entry only

1. Metric dimensions (mm) are indicated in parentheses.
2. **DO NOT USE CONNECTORS WITH FLOAT MOUNTINGS.**

D-Subminiature Split Backshells Standard Dimensions



COMMON BACKSHELL DIMENSIONS

Shell Size	Com'l Shell Size Ref	A Max	B Max	C Ref.	D ±.005 (.1)	P	R Ref
1	E/09	1.393 (35.4)	.624 (15.8)	.312 (7.9)	.984 (25.0)	.730 (18.5)	.719 (18.3)
2	A/15	1.706 (43.3)	.624 (15.8)	.312 (7.9)	1.312 (33.3)	1.050 (26.7)	.719 (18.3)
3	B/25	2.265 (57.5)	.624 (15.8)	.312 (7.9)	1.852 (47.0)	1.594 (40.5)	.938 (23.8)
4	C/37	2.900 (73.7)	.624 (15.8)	.312 (7.9)	2.500 (63.5)	2.240 (56.9)	.938 (23.8)
5	D/50	2.800 (71.1)	.750 (19.1)	.375 (9.5)	2.406 (61.1)	2.140 (54.4)	.938 (23.8)
6	F/104	2.900 (73.7)	.844 (21.4)	.422 (10.7)	2.500 (63.5)	2.240 (56.9)	1.094 (27.8)

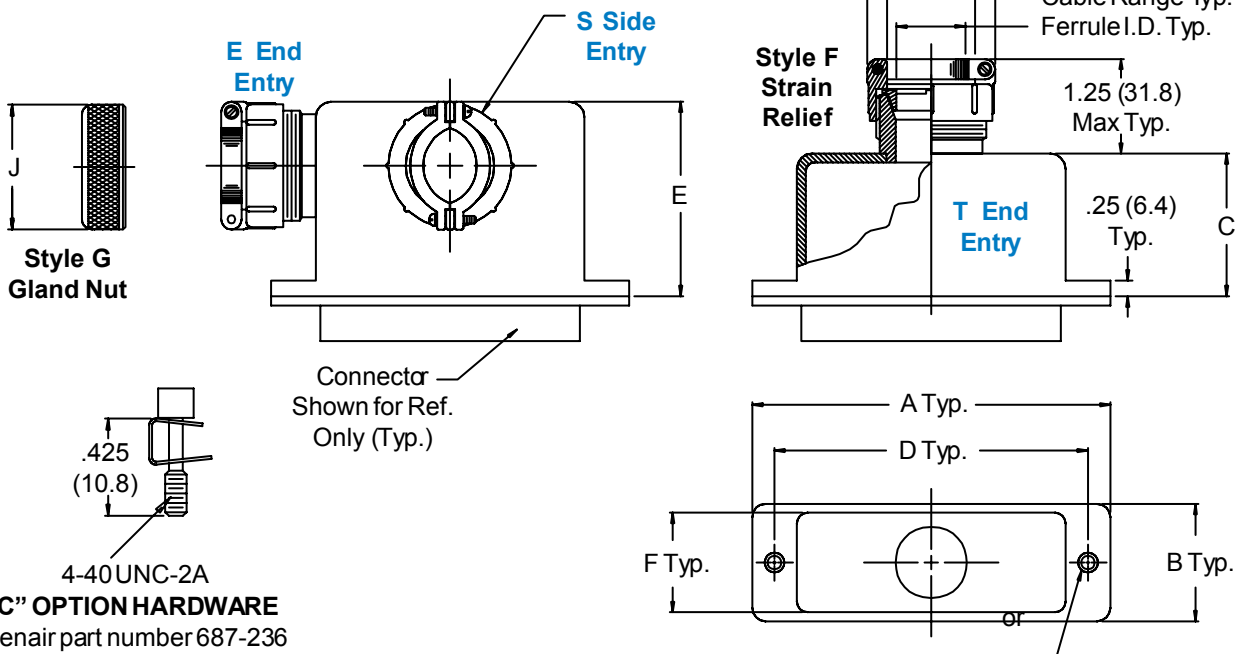
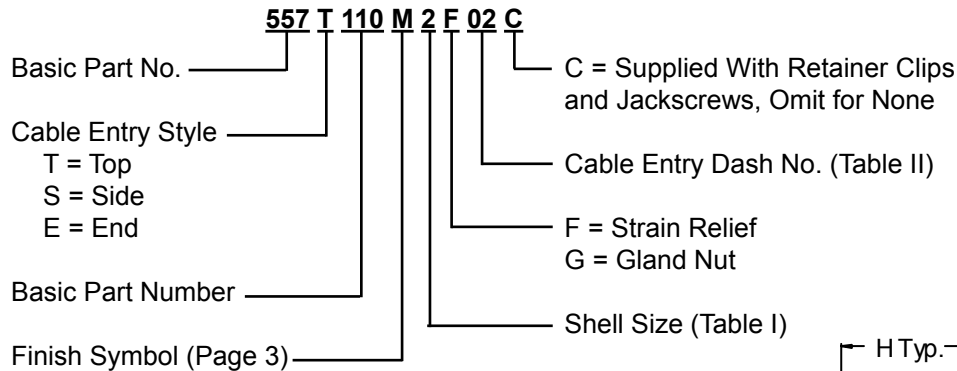
CABLE MOUNTING DIMENSIONS

Dash No.	Panel Thickness	E	F ± .031 (0.79)		
			Sizes 1 & 2	Sizes 3 - 5	Size 6
CC	n/a	.174 (4.4)	1.451 (36.9)	1.671 (42.4)	1.820 (46.2)
F0	n/a	.343 (8.7)	1.625 (41.3)	1.844 (46.8)	2.000 (50.8)
R1	.031 (.8)	.247 (6.3)	1.525 (38.7)	1.745 (44.3)	1.890 (48.0)
R2	.047 (1.2)	.231 (5.9)	1.509 (38.3)	1.728 (43.9)	1.875 (47.6)
R3	.062 (1.6)	.216 (5.5)	1.500 (38.1)	1.720 (43.7)	1.860 (47.2)
R4	.093 (2.4)	.185 (4.7)	1.470 (37.3)	1.690 (42.9)	1.829 (46.5)
R5	.104 (2.6)	.174 (4.4)	1.451 (36.9)	1.671 (42.4)	1.820 (46.2)
R6	.125 (3.2)	.153 (3.9)	1.430 (36.3)	1.650 (41.9)	1.798 (45.7)
R7	.156 (4.0)	.125 (3.2)	1.400 (35.6)	1.620 (41.1)	1.767 (44.9)
R8	.135 (3.4)	.140 (3.6)	1.417 (36.0)	1.637 (41.6)	1.805 (45.8)
R9	.188 (4.8)	.094 (2.4)	1.368 (34.7)	1.590 (40.4)	1.740 (44.2)

1. Metric dimensions (mm) are indicated in parentheses.
2. Consult factory for shell size 6 configurations.



557-110 EMI/RFI D-Subminiature Solid Backshell for Individual and Overall Shielding with Strain-Relief



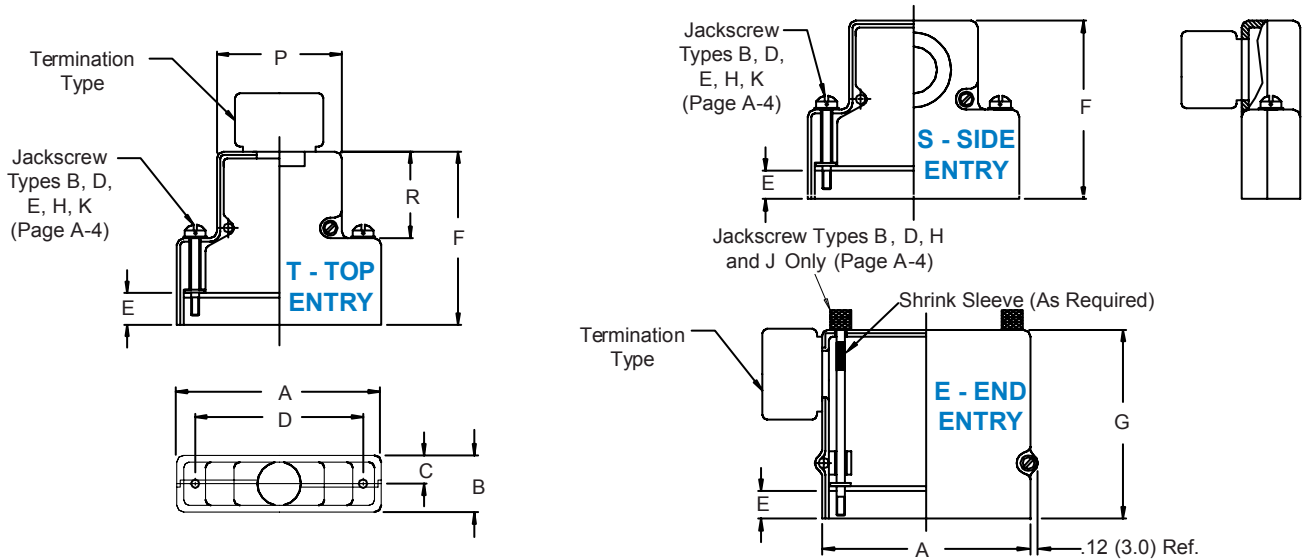
Tapped f 4-40UNC-2B (2 places). When C option is ordered, two cleared holes are supplied.

Metric dimensions (mm) are indicated in parentheses.

TABLE II: CABLE ENTRY						
Dash No.	H Max	J Max	Cable Range		Ferrule I.D.	
			Min	Max		
02	.968 (24.6)	.781 (19.8)	.125 (3.2)	.250 (6.4)	.125 (3.2)	
03	1.046 (26.6)	.906 (23.0)	.250 (6.4)	.375 (9.5)	.250 (6.4)	
04	1.156 (29.4)	1.031 (26.2)	.312 (7.9)	.500 (12.7)	.375 (9.5)	
05	1.218 (30.9)	1.156 (29.4)	.375 (9.5)	.625 (15.9)	.500 (12.7)	

TABLE I: CONNECTOR/SHELL INTERFACE & BACKSHELL DIMENSIONS									
Shell Size	Com'l Shell Size Ref	D			E	F	Max Dash No. Table II		
		A	B	C					
1	E/09	1.25 (31.8)	.53 (13.5)	.75 (19.1)	.984 (25.0)	1.88 (47.8)	.43 (10.9)	04	
2	A/15	1.58 (40.1)	.53 (13.5)	.75 (19.1)	1.312 (33.3)	1.88 (47.8)	.43 (10.9)	04	
3	B/25	2.13 (54.1)	.53 (13.5)	1.00 (25.4)	1.852 (47.0)	1.88 (47.8)	.43 (10.9)	04	
4	C/37	2.77 (70.4)	.53 (13.5)	1.00 (25.4)	2.500 (63.5)	1.88 (47.8)	.43 (10.9)	04	
5	D/50	2.68 (68.1)	.66 (16.8)	1.25 (31.8)	2.406 (61.1)	2.13 (54.1)	.56 (14.2)	04	
6	F/104	2.77 (70.4)	.73 (18.5)	1.25 (31.8)	2.500 (63.5)	2.13 (54.1)	.63 (16.0)	05	

D-Subminiature Split Backshells Standard Dimensions



COMMON CONNECTOR/SHELL INTERFACE & BACKSHELL DIMENSIONS

Com'l Shell Size	Shell Ref	A Max	B Max	C Ref.	D ±.005 (.1)	P	R Ref
1	E/09	1.393 (35.4)	.624 (15.8)	.312 (7.9)	.984 (25.0)	.730 (18.5)	.719 (18.3)
2	A/15	1.706 (43.3)	.624 (15.8)	.312 (7.9)	1.312 (33.3)	1.050 (26.7)	.719 (18.3)
3	B/25	2.265 (57.5)	.624 (15.8)	.312 (7.9)	1.852 (47.0)	1.594 (40.5)	.938 (23.8)
4	C/37	2.900 (73.7)	.624 (15.8)	.312 (7.9)	2.500 (63.5)	2.240 (56.9)	.938 (23.8)
5	D/50	2.800 (71.1)	.750 (19.1)	.375 (9.5)	2.406 (61.1)	2.140 (54.4)	.938 (23.8)
6	F/104	2.900 (73.7)	.844 (21.4)	.422 (10.7)	2.500 (63.5)	2.240 (56.9)	1.094 (27.8)

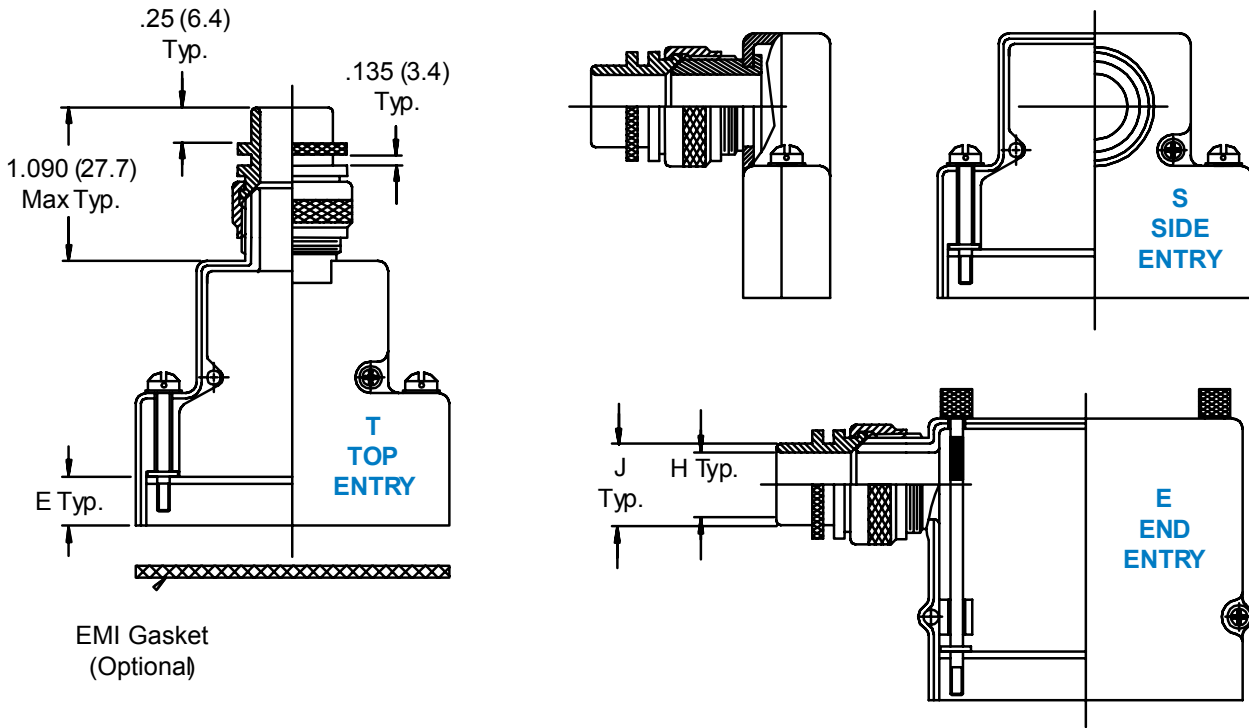
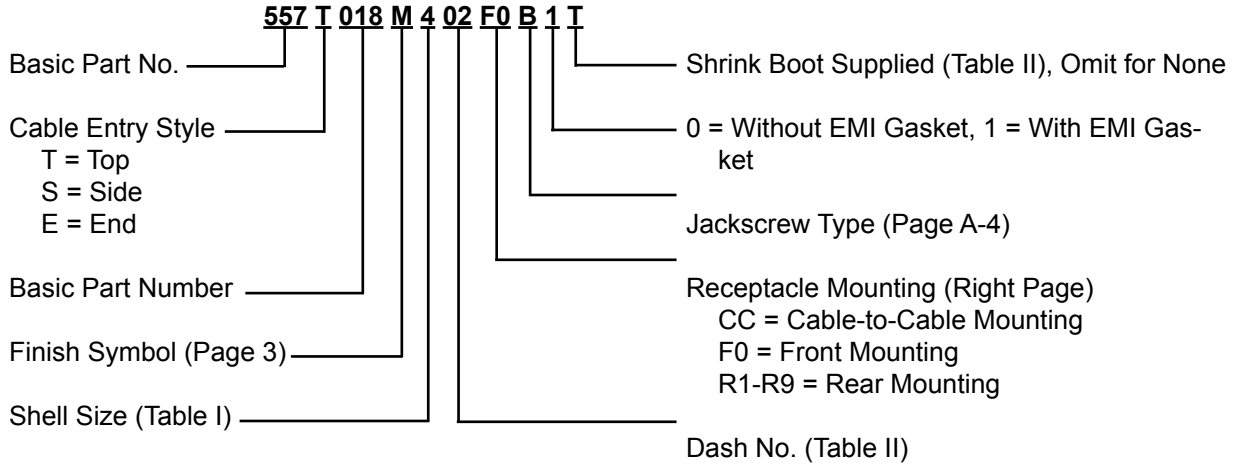
CABLE MOUNTING AND BACKSHELL DIMENSIONS

Dash No.	Panel Thickness	E	F ± .031 (0.79)			G ± .031 (0.79)	
			Sizes 1 & 2	Sizes 3 - 5	Size 6	Sizes 1 & 2	Sizes 3 - 5
CC	n/a	.174 (4.4)	1.451 (36.9)	1.671 (42.4)	1.820 (46.2)	1.583 (40.2)	1.831 (46.5)
F0	n/a	.343 (8.7)	1.625 (41.3)	1.844 (46.8)	2.000 (50.8)	1.750 (44.5)	2.000 (50.8)
R1	.031 (.8)	.247 (6.3)	1.525 (38.7)	1.745 (44.3)	1.890 (48.0)	1.656 (42.1)	1.904 (48.4)
R2	.047 (1.2)	.231 (5.9)	1.509 (38.3)	1.728 (43.9)	1.875 (47.6)	1.640 (41.7)	1.888 (48.0)
R3	.062 (1.6)	.216 (5.5)	1.500 (38.1)	1.720 (43.7)	1.860 (47.2)	1.625 (41.3)	1.873 (47.6)
R4	.093 (2.4)	.185 (4.7)	1.470 (37.3)	1.690 (42.9)	1.829 (46.5)	1.594 (40.5)	1.842 (46.8)
R5	.104 (2.6)	.174 (4.4)	1.451 (36.9)	1.671 (42.4)	1.820 (46.2)	1.583 (40.2)	1.831 (46.5)
R6	.125 (3.2)	.153 (3.9)	1.430 (36.3)	1.650 (41.9)	1.798 (45.7)	1.563 (39.7)	1.811 (46.0)
R7	.156 (4.0)	.125 (3.2)	1.400 (35.6)	1.620 (41.1)	1.767 (44.9)	1.531 (38.9)	1.781 (45.2)
R8	.135 (3.4)	.140 (3.6)	1.417 (36.0)	1.637 (41.6)	1.805 (45.8)	1.550 (39.4)	1.798 (45.7)
R9	.188 (4.8)	.094 (2.4)	1.368 (34.7)	1.590 (40.4)	1.740 (44.2)	1.500 (38.1)	1.750 (44.5)

Metric dimensions (mm) are indicated in parentheses.



557-018 EMI/RFI D-Subminiature Split Backshell Crimp Ring Shield Termination with Shrink Boot Groove

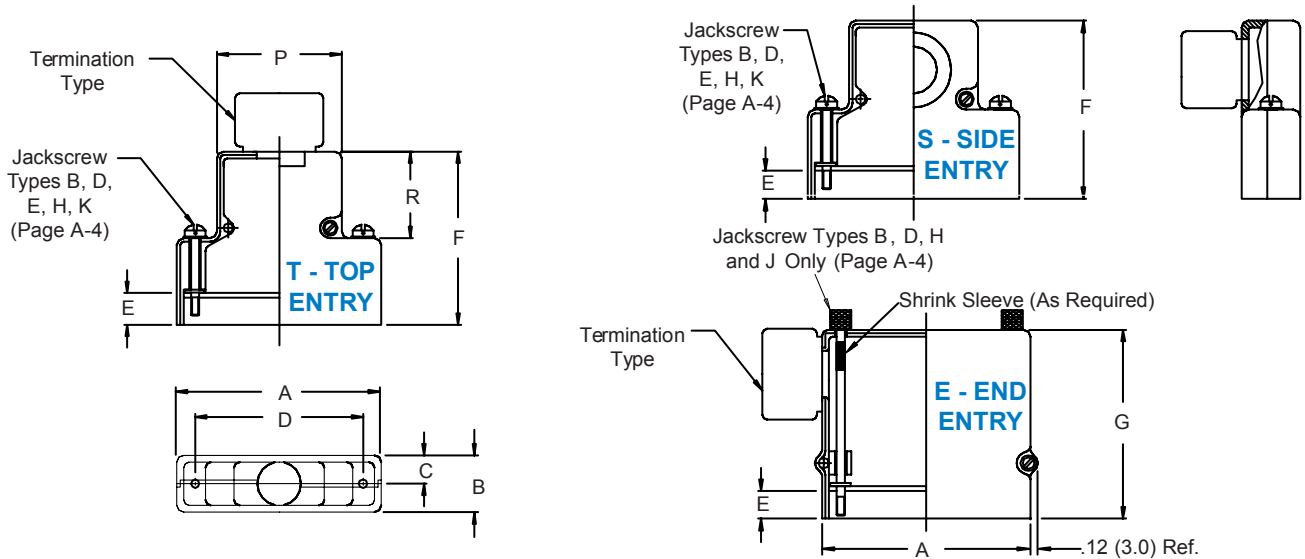


Shell Size	Com'l Shell Size Ref	Max Entry Dash No. Table II
1	E/09	02
2	A/15	04
3	B/25	05
4	C/37	05
5	D/50	07
6	F/104	07

Dash No.	H Dia	J Dia	Shrink Boot
01	.125 (3.2)	.250 (6.4)	n/a
02	.250 (6.4)	.375 (9.5)	202K121-25-0
03	.312 (7.9)	.438 (11.1)	202K121-25-0
04	.375 (9.5)	.500 (12.7)	202K132-25-0
05	.420 (10.7)	.540 (13.7)	202K132-25-0
06	.500 (12.7)	.625 (15.9)	202K142-25-0
07	.562 (14.3)	.688 (17.5)	202K153-25-0

1. Metric dimensions (mm) are indicated in parentheses.
2. **DO NOT USE CONNECTORS WITH FLOAT MOUNTINGS.**
3. Crimp Ring Not Supplied.

D-Subminiature Split Backshells Standard Dimensions



COMMON CONNECTOR/SHELL INTERFACE & BACKSHELL DIMENSIONS

Com'l Shell Size	Shell Ref	A		B		C Ref.	D		P	R Ref			
		Max	(mm)	Max	(mm)		$\pm .005$	(.1)					
1	E/09	1.393	(35.4)	.624	(15.8)	.312	(7.9)	.984	(25.0)	.730	(18.5)	.719	(18.3)
2	A/15	1.706	(43.3)	.624	(15.8)	.312	(7.9)	1.312	(33.3)	1.050	(26.7)	.719	(18.3)
3	B/25	2.265	(57.5)	.624	(15.8)	.312	(7.9)	1.852	(47.0)	1.594	(40.5)	.938	(23.8)
4	C/37	2.900	(73.7)	.624	(15.8)	.312	(7.9)	2.500	(63.5)	2.240	(56.9)	.938	(23.8)
5	D/50	2.800	(71.1)	.750	(19.1)	.375	(9.5)	2.406	(61.1)	2.140	(54.4)	.938	(23.8)
6	F/104	2.900	(73.7)	.844	(21.4)	.422	(10.7)	2.500	(63.5)	2.240	(56.9)	1.094	(27.8)

CABLE MOUNTING AND BACKSHELL DIMENSIONS

Dash No.	Panel Thickness	E	F $\pm .031$ (0.79)			G $\pm .031$ (0.79)	
			Sizes 1 & 2	Sizes 3 - 5	Size 6	Sizes 1 & 2	Sizes 3 - 5
CC	n/a	.174 (4.4)	1.451 (36.9)	1.671 (42.4)	1.820 (46.2)	1.583 (40.2)	1.831 (46.5)
F0	n/a	.343 (8.7)	1.625 (41.3)	1.844 (46.8)	2.000 (50.8)	1.750 (44.5)	2.000 (50.8)
R1	.031 (.8)	.247 (6.3)	1.525 (38.7)	1.745 (44.3)	1.890 (48.0)	1.656 (42.1)	1.904 (48.4)
R2	.047 (1.2)	.231 (5.9)	1.509 (38.3)	1.728 (43.9)	1.875 (47.6)	1.640 (41.7)	1.888 (48.0)
R3	.062 (1.6)	.216 (5.5)	1.500 (38.1)	1.720 (43.7)	1.860 (47.2)	1.625 (41.3)	1.873 (47.6)
R4	.093 (2.4)	.185 (4.7)	1.470 (37.3)	1.690 (42.9)	1.829 (46.5)	1.594 (40.5)	1.842 (46.8)
R5	.104 (2.6)	.174 (4.4)	1.451 (36.9)	1.671 (42.4)	1.820 (46.2)	1.583 (40.2)	1.831 (46.5)
R6	.125 (3.2)	.153 (3.9)	1.430 (36.3)	1.650 (41.9)	1.798 (45.7)	1.563 (39.7)	1.811 (46.0)
R7	.156 (4.0)	.125 (3.2)	1.400 (35.6)	1.620 (41.1)	1.767 (44.9)	1.531 (38.9)	1.781 (45.2)
R8	.135 (3.4)	.140 (3.6)	1.417 (36.0)	1.637 (41.6)	1.805 (45.8)	1.550 (39.4)	1.798 (45.7)
R9	.188 (4.8)	.094 (2.4)	1.368 (34.7)	1.590 (40.4)	1.740 (44.2)	1.500 (38.1)	1.750 (44.5)

Metric dimensions (mm) are indicated in parentheses.

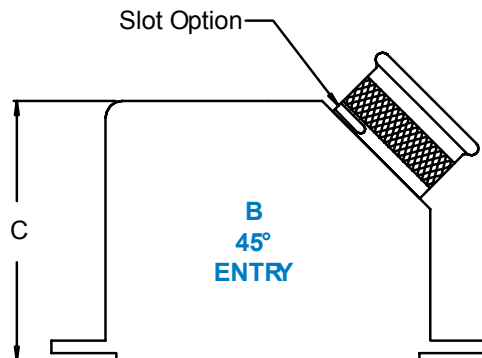
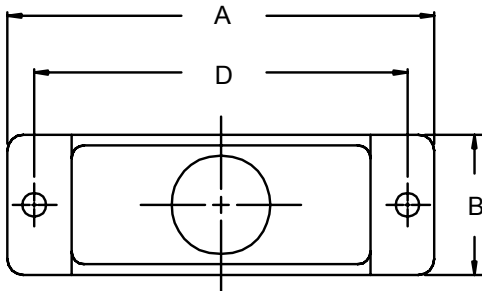
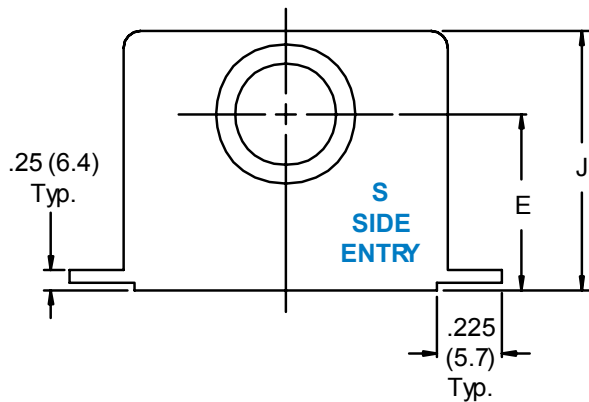
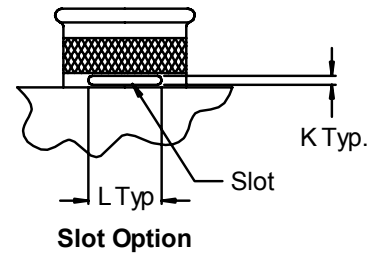
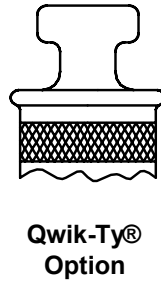
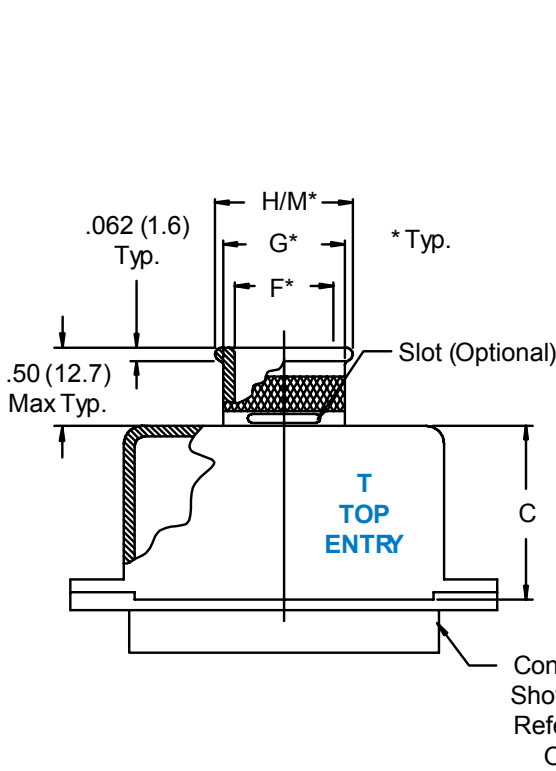


557-071 D-Subminiature Solid Banding Backshell with Qwik-Ty® and Slot Options

557 T 071 M 2 31 S C T B -32

Basic Part No. ————
 Cable Entry Style ————
 T = Top
 S = Side
 B = 45°
 Basic Part Number ————
 Finish Symbol (Page 3) ————
 Shell Size (Table I) ————

————— -32 = Band Platform Length of .32 and M Dia
 (Omit for Standard .50 Length)
 ———— B = Band Supplied (600-052), Omit for None.
 (Note: Band 600-057 Supplied If -32 Option)
 ———— Qwik-Ty Option (Omit for None)
 ———— Optional Retainer (Omit for Standard)
 ———— Slot (Omit for None)
 ———— Dash No. (Table II)



557-071
D-Subminiature Solid Banding Backshell
with Qwik-Ty® and Slot Options



MIL-DTL-24308
D-Subminiature

TABLE I: SHELL SIZE & BACKSHELL DIMENSIONS

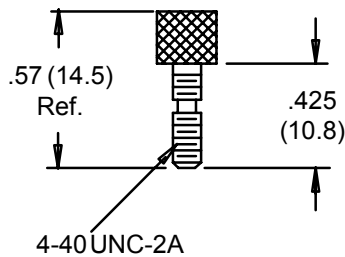
Shell Size	A Max	B	C	D ±.005 (.1)	E	J
1	1.25 (31.8)	.53 (13.5)	1.50 (38.1)	.984 (25.0)	1.25 (31.8)	1.68 (42.7)
2	1.58 (40.1)	.53 (13.5)	1.50 (38.1)	1.312 (33.3)	1.25 (31.8)	1.68 (42.7)
3	2.13 (54.1)	.53 (13.5)	1.50 (38.1)	1.852 (47.0)	1.25 (31.8)	1.68 (42.7)
4	2.77 (70.4)	.53 (13.5)	1.50 (38.1)	2.500 (63.5)	1.25 (31.8)	1.68 (42.7)
5	2.68 (68.1)	.66 (16.8)	1.50 (38.1)	2.406 (61.1)	1.38 (35.1)	1.81 (46.0)

TABLE II: CABLE ENTRY

Dash No.	F Dia	G Dia	H Dia	K Dim	L Dim	M Dia **
16	.175 (4.4)	.300 (7.6)	.412 (10.5)	.08 (2.0)	.19 (4.8)	.362 (9.2)
23	.250 (6.4)	.375 (9.5)	.487 (12.4)	.08 (2.0)	.22 (5.6)	.437 (11.1)
30	.312 (7.9)	.437 (11.1)	.550 (14.0)	.08 (2.0)	.25 (6.4)	.500 (12.7)
31	.375 (9.5)	.500 (12.7)	.612 (15.5)	.08 (2.0)	.28 (7.1)	.562 (14.3)
32	.430 (10.9)	.555 (14.1)	.667 (16.9)	.08 (2.0)	.31 (7.9)	.617 (15.7)
33*	.550 (14.0)	.675 (17.1)	.787 (20.0)	.08 (2.0)	.38 (9.7)	.737 (18.7)

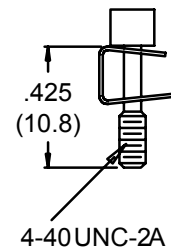
* Available in Shell Size 5 only. ** Dia with -32 optional band platform length.

1. Metric dimensions (mm) are indicated in parentheses.
2. **DO NOT USE CONNECTORS WITH FLOAT.**



STANDARD HARDWARE SUPPLIED

2 Socket Head Jackscrews with
 "E" rings (Ref. MS16633-4011)
 supplied unassembled.
 Glenair part number 687-172



**"C" OPTION
 HARDWARE**

Glenair part number
 687-236

557-080 M 2 L B

- Basic Part No. _____
- Finish Symbol (Page 3) _____
- Shell Size (Table I) _____
- B = Band Supplied (600-052), Omit for None
- Hardware Options, Omit for Standard 2 Turnable Males
- L = Part Supplied Less Jackscrew and Clip
- R = Fixed Males
- P = Fixed Females
- N = 1 Fixed Male and 1 Fixed Female
- T = Turnable Females
- F = 1 Turnable Male and 1 Turnable Female
- RT = 1 Fixed Female and 1 Turnable Female
- PF = 1 Fixed Female and 1 Turnable Male

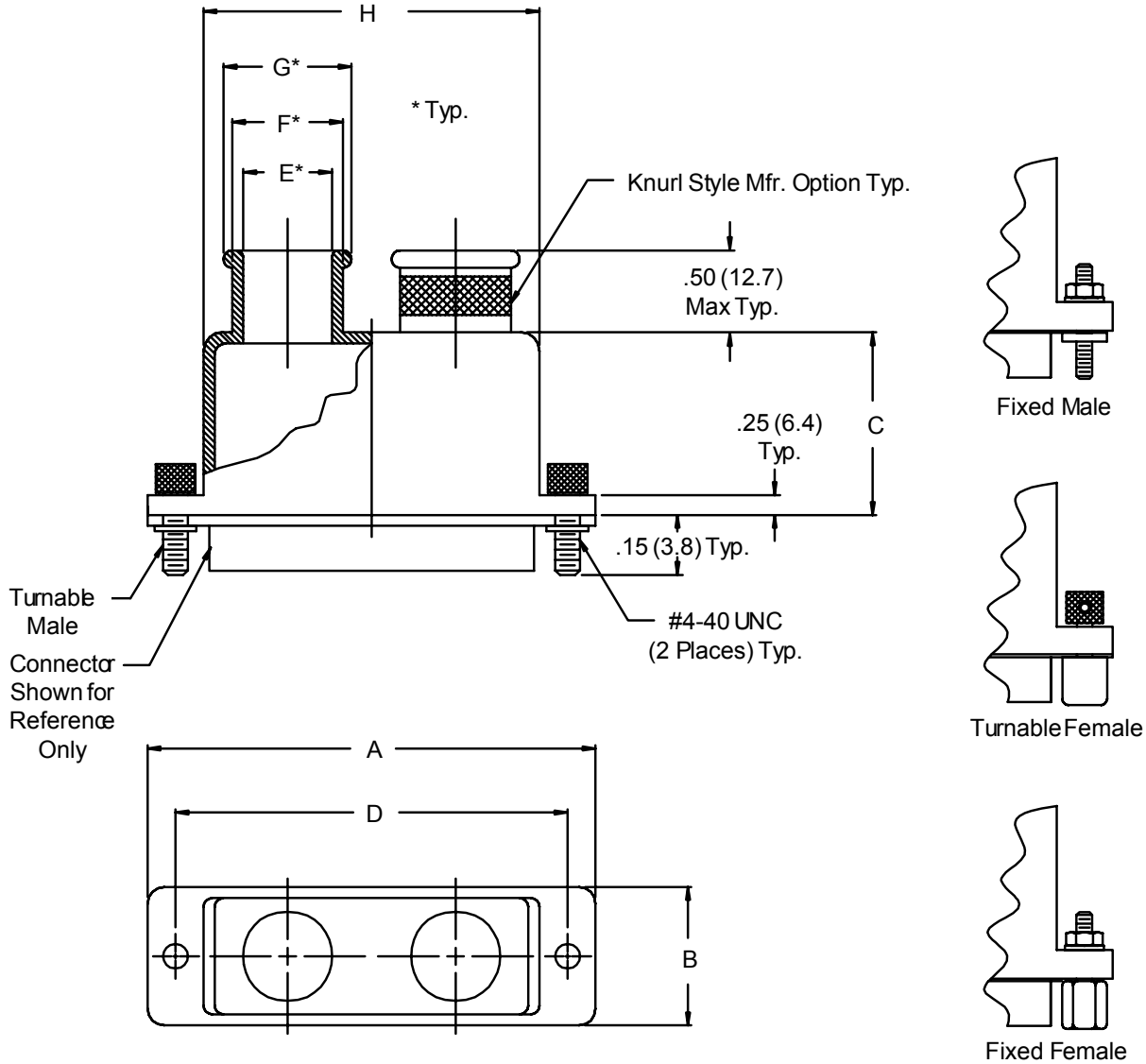


TABLE I: SHELL SIZE & BACKSHELL DIMENSIONS

Shell Size	A Max	B	C	D ±.005 (.1)
1	1.25 (31.8)	.53 (13.5)	.75 (19.1)	.984 (25.0)
2	1.58 (40.1)	.53 (13.5)	.75 (19.1)	1.312 (33.3)
3	2.13 (54.1)	.53 (13.5)	1.00 (25.4)	1.852 (47.0)
4	2.77 (70.4)	.53 (13.5)	1.00 (25.4)	2.500 (63.5)
5	2.68 (68.1)	.66 (16.8)	1.25 (31.8)	2.406 (61.1)
6	2.77 (70.4)	.73 (18.5)	1.25 (31.8)	2.500 (63.5)

TABLE I (Continued): CABLE ENTRY

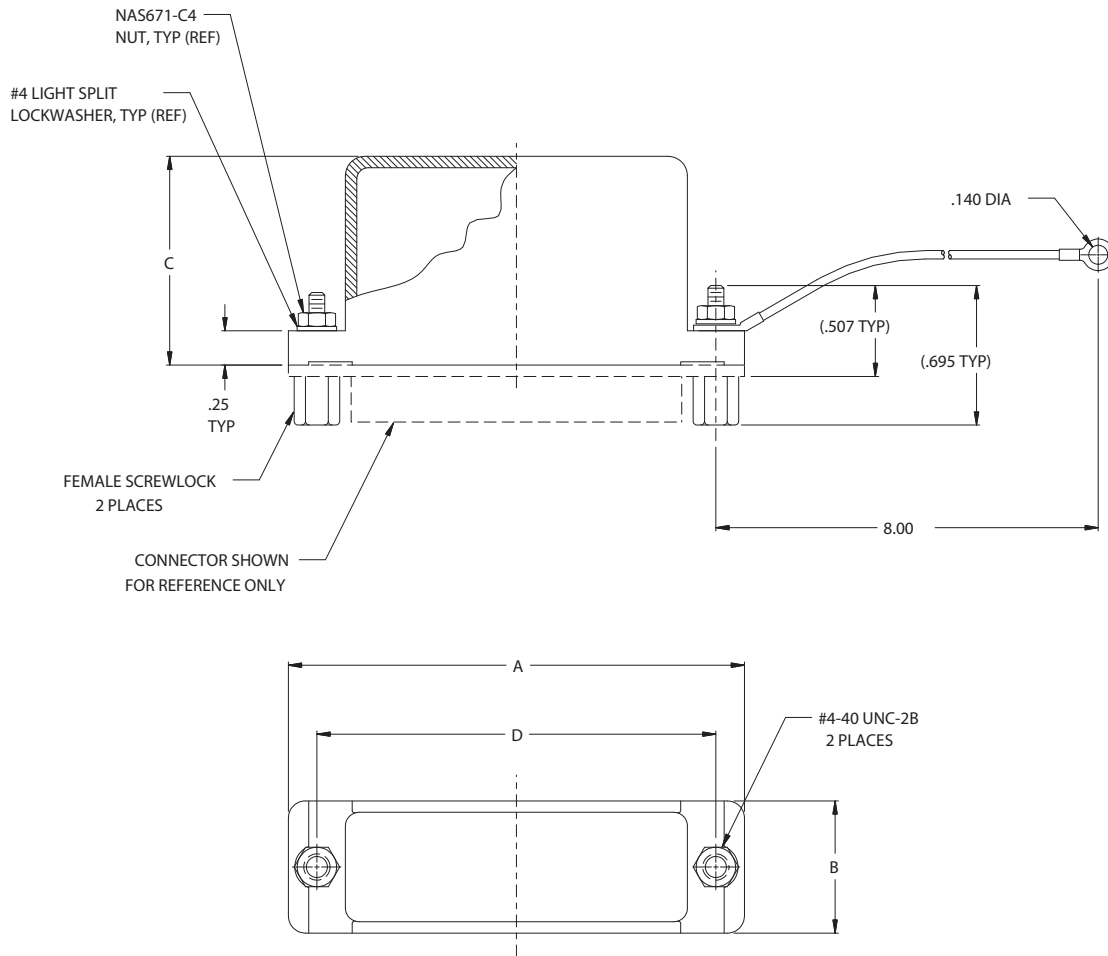
Shell Size	E Dia	F Dia	G Dia	H
1	.125 (3.2)	.250 (6.4)	.312 (7.9)	.76 (19.3)
2	.250 (6.4)	.375 (9.5)	.437 (11.1)	1.09 (27.7)
3	.250 (6.4)	.375 (9.5)	.437 (11.1)	1.62 (41.1)
4	.250 (6.4)	.375 (9.5)	.437 (11.1)	2.28 (57.9)
5	.375 (9.5)	.500 (12.7)	.562 (14.3)	2.18 (55.4)
6	.500 (12.7)	.625 (15.9)	.688 (17.5)	2.28 (57.9)

1. Metric dimensions (mm) are indicated in parentheses.
2. **DO NOT USE CONNECTORS WITH FLOAT MOUNTINGS.**



557-083 D-Subminiature Shorting Cap Solid Backshell

557-083 M 2
Basic Part No. _____
Finish Symbol (Table III) _____
Shell Size (Table I) _____



557-083
D-Subminiature
Shorting Cap Solid Backshell



TABLE I: SHELL SIZE & BACKSHELL DIMENSIONS

Shell Size	A Max	B	C	D ±.005 (.1)
1	1.25 (31.8)	.53 (13.5)	.75 (19.1)	.984 (25.0)
2	1.58 (40.1)	.53 (13.5)	.75 (19.1)	1.312 (33.3)
3	2.13 (54.1)	.53 (13.5)	1.00 (25.4)	1.852 (47.0)
4	2.77 (70.4)	.53 (13.5)	1.00 (25.4)	2.500 (63.5)
5	2.68 (68.1)	.66 (16.8)	1.25 (31.8)	2.406 (61.1)
6	2.77 (70.4)	.73 (18.5)	1.25 (31.8)	2.500 (63.5)

**TABLE III:
FINISH OPTIONS**

Symbol	Finish
B	Cadmium Plate/Olive Drab
E	Iridite/Gold
M	Electroless Nickel
N	Cadmium Plate/Olive Drab Over Nickel Plate
NF	Cad/O.D. Over Electroless Nickel (1000 Hour Salt Spray)
S	Green Anodize
Z2	Gold Plate

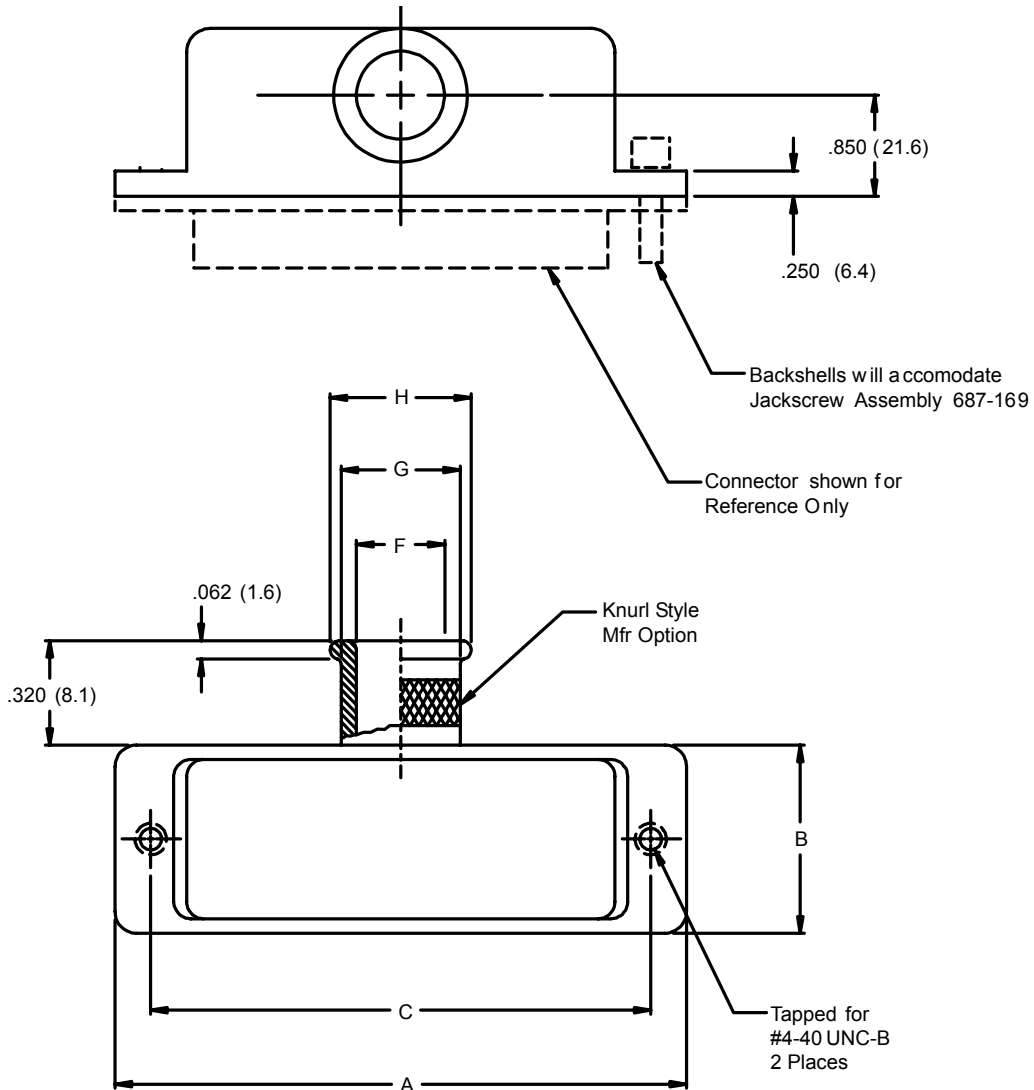
Material/Finish:
Shorting Cap - Al Alloy/See Table III
Hardware - CRES/Passivate
Wire Rope - PVC-Covered CRES



557-091 EMI/RFI Banding Backshell Assembly for MIL-C-24308 Connectors

557 S 091 M 2 31

Product Series	557	S	091	M	2	31	Dash No. (Table II)
S = Side Entry							Shell Size (Table I)
Basic Number							Finish (Table III)



Metric dimensions (mm) are indicated in parentheses

557-091
EMI/RFI Banding Backshell Assembly
for MIL-C-24308 Connectors



MIL-DTL-24308
D-Subminiature

TABLE I: CONNECTOR INTERFACE DIMS

Shell Size	A Max	B	C ±.005 (0.1)
1	1.250 (31.8)	.530 (13.5)	.984 (25.0)
2	1.580 (40.1)	.530 (13.5)	1.312 (33.3)
3	2.130 (54.1)	.530 (13.5)	1.852 (47.0)
4	2.770 (70.5)	.530 (13.5)	2.500 (63.5)
5	2.680 (68.1)	.660 (16.8)	2.406 (61.1)

TABLE II: CABLE ENTRY

Dash No.	F Dia	G Dia	H Dia
16	.175 (4.4)	.300 (7.6)	.362 (9.2)
23	.250 (6.4)	.375 (9.5)	.437 (11.1)
30	.312 (7.9)	.437 (11.1)	.500 (12.7)
31	.375 (9.5)	.500 (12.7)	.562 (14.3)
32	.430 (10.9)	.555 (14.1)	.617 (15.7)
33	.550 (14.0)	.675 (17.1)	.737 (18.7)

**TABLE III:
FINISH OPTIONS**

Symbol	Finish
B	Cadmium Plate/Olive Drab
C*	Black Anodize
G*	Anodic Hard Coat
J	Gold Iridite over Cadmium Plate over Electroless Nickel
LF	Cadmium Plate/Bright over Electroless Nickel
M	Electroless Nickel
N	Cadmium Plate/Olive Drab over Electroless Nickel
NC	Zinc Cobalt/Dark Olive Drab
NF	Cadmium Plate/Olive Drab over Electroless Nickel
T	Cadmium Plate/Bright over Electroless Nickel
U**	Cadmium Plate/Black
ZN	Zinc-Nickel Alloy/Olive Drab

*Anodize finish is not suitable for EMI shielding or grounding applications.

**Applicable to corrosion resisting steel backshells and accessories. Consult factory for other available finishes.

Metric dimensions (mm) are indicated in parentheses



557-102 and 557-103 D-Subminiature 45° Entry Light-Weight Solid Banding Backshell

557-102 M 2-03 C B

Basic Part No. _____
557-102 or 557-103

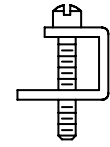
Finish Symbol (Page 3) _____

Shell Size (Table I) _____

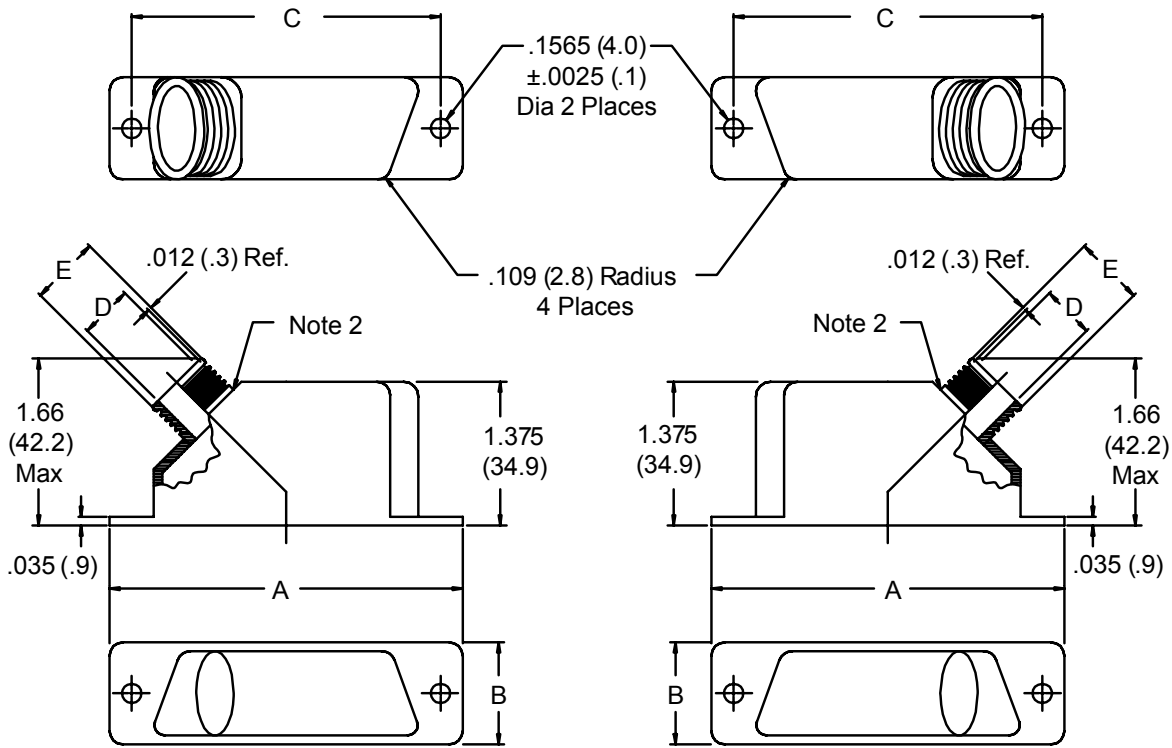
_____ B = Band Supplied (600-057),
Omit for None

_____ C = Supplied with Retainer
Clips and Jackscrews
(Omit for None)

_____ Cable Entry (Table II)



**"C" Retainer
Clip Option**



557-102

557-103

**Table I: Shell Size and
Connector Interface Dimensions**

Shell Size	A	B	C
			$\pm .005$ (.1)
1	1.203 (30.6)	.500 (12.7)	.984 (25.0)
2	1.531 (38.9)	.500 (12.7)	1.312 (33.3)
3	2.078 (52.8)	.500 (12.7)	1.852 (47.0)
4	2.718 (69.0)	.500 (12.7)	2.500 (63.5)
5	2.625 (66.7)	.609 (15.5)	2.406 (61.1)
6	2.718 (69.0)	.668 (17.0)	2.500 (63.5)

1. Metric dimensions (mm) are indicated in parentheses.
2. End Fitting may be brazed on per MIL-B-7883B, Type V, Grade B

Table II: Cable Entry

Entry Size	D	E
02	.125 (3.2)	.205 (5.2)
03	.187 (4.7)	.267 (6.8)
04	.250 (6.4)	.330 (8.4)
05	.312 (7.9)	.392 (10.0)
06	.375 (9.5)	.455 (11.6)
07	.437 (11.1)	.517 (13.1)
08	.500 (12.7)	.580 (14.7)
09	.529 (13.4)	.609 (15.5)
10	.290 (7.4)	.370 (9.4)
11	.595 (15.1)	.675 (17.2)
12	.270 (6.9)	.350 (8.9)

557-107 D-Subminiature Light-Weight Solid Banding Backshell



MIL-DTL-24308
D-Subminiature

How To Order							
Sample Part Number	557-107	M	2	-03	C	B	S
Basic Part No.	D-Subminiature Lightweight Banding Backshell						
Finish Symbol	See Page 3						
Shell Size	See Table I						
Cable Entry Size	See Table II						
Jackscrew Options	A = Standard Hex Socket Head C = Standard Fillister Head E = Standard Extended Slotted Jackscrew M = Special 687-421M P = Special 687-421 Omit for none						
Band Option	B = Band Supplied (600-052) Omit for none						
Slots	S = with Slots Omit for none						

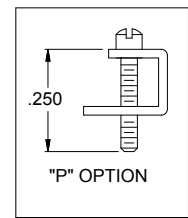
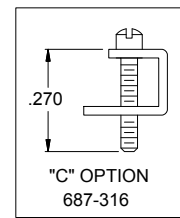
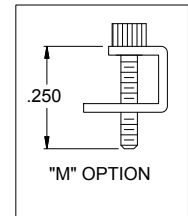
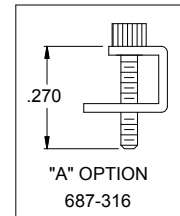
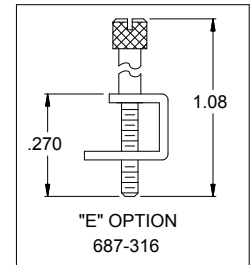
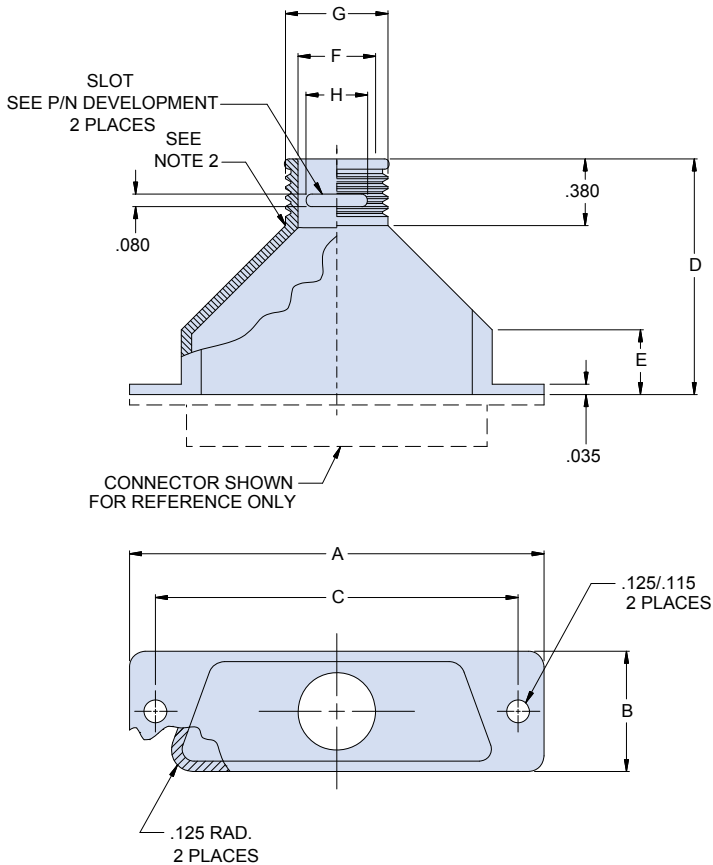


Table I: Shell Size and Connector Interface Dimensions						
Shell Size	A	B	C±.005	D	E	Max Entry Size
1	1.203 (30.6)	0.500 (12.7)	0.984 (25.0)	1.190 (30.2)	0.440 (11.2)	06
2	1.531 (38.9)	0.500 (12.7)	1.312 (33.3)	1.270 (32.3)	0.440 (11.2)	06
3	2.078 (52.8)	0.500 (12.7)	1.852 (47.0)	1.550 (39.4)	0.500 (12.7)	06
4	2.718 (69.0)	0.500 (12.7)	2.500 (63.5)	1.690 (42.9)	0.500 (12.7)	06
5	2.625 (66.7)	0.609 (15.5)	2.406 (61.1)	1.670 (42.4)	0.440 (11.2)	08
6	2.718 (69.0)	0.668 (17.0)	2.500 (63.5)	1.690 (42.9)	0.500 (12.7)	09

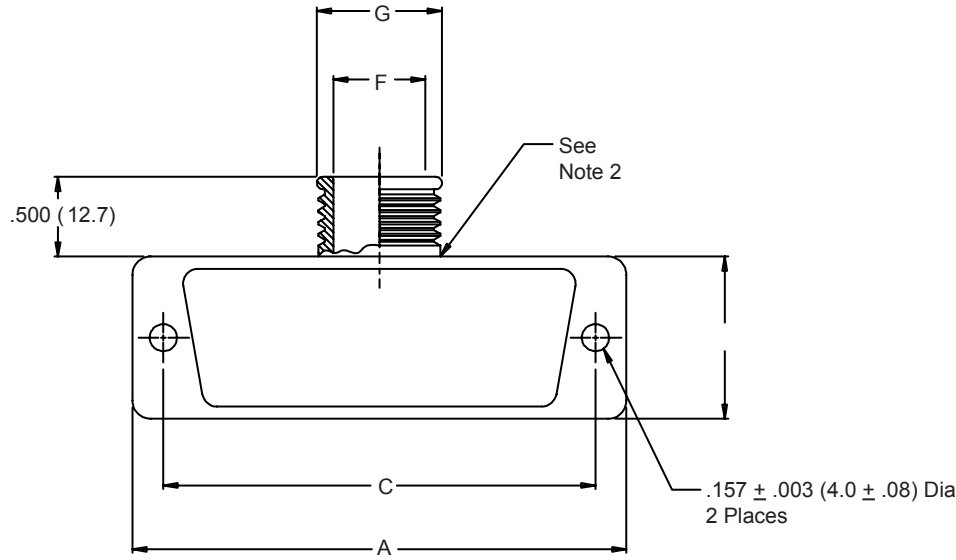
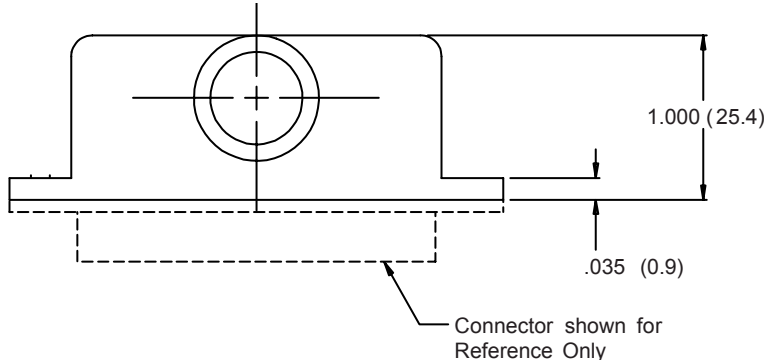
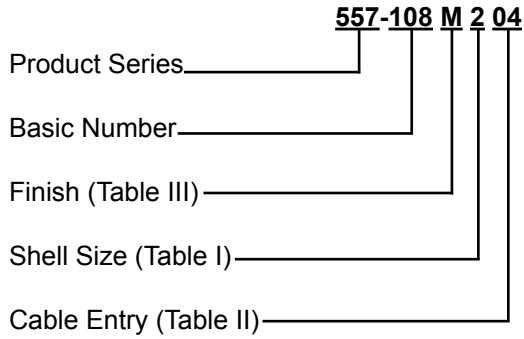
Table II: Cable Entry			
Entry Size	F	G	H
01	.125 (3.2)	.205 (5.2)	.09 (2.3)
02	.187 (4.7)	.267 (6.8)	.19 (4.8)
03	.265 (6.7)	.360 (9.1)	.22 (5.6)
04	.312 (7.9)	.392 (10.0)	.25 (6.4)
05	.390 (9.9)	.485 (12.3)	.28 (7.1)
06	.415 (10.5)	.510 (13.0)	.31 (7.9)
07	.500 (12.7)	.580 (14.7)	.31 (7.9)
08	.525 (13.3)	.620 (15.7)	.38 (9.7)
09	.595 (15.1)	.690 (17.5)	.38 (9.7)

1. Metric dimensions (mm) are indicated in parentheses.
2. End Fitting may be brazed on per MIL-B-7883B, Type V, Grade B

Material/Finish
Backshell - 6061-T6 Al Alloy
Retainer Clips, Jackscrews - CRES/Passivate



557-108 EMI/RFI Banding Backshell Assembly for MIL-C-24308 Connectors



NOTES:

1. Metric dimensions (mm) are indicated in parentheses.
2. End fitting may be brazed on per MIL-B-7883B, Type V, Grade B.

557-108
EMI/RFI Banding Backshell Assembly
for MIL-C-24308 Connectors



MIL-DTL-24308
D-Subminiature

**TABLE I: CONNECTOR
INTERFACE DIMENSIONS**

Shell Size	A	B	C ±.005 (0.2)
1	1.203 (30.6)	.500 (12.7)	.984 (25.0)
2	1.531 (38.9)	.500 (12.7)	1.312 (33.3)
3	2.078 (52.8)	.500 (12.7)	1.852 (47.0)
4	2.718 (69.0)	.500 (12.7)	2.500 (63.5)
5	2.625 (66.7)	.609 (15.5)	2.406 (61.1)

TABLE II: CABLE ENTRY

Dash No.	F Dia	G Dia
01	.125 (3.2)	.205 (5.2)
02	.187 (4.7)	.267 (6.8)
03	.270 (6.9)	.350 (8.9)
04	.290 (7.4)	.370 (9.4)
05	.312 (7.9)	.392 (10.0)
06	.395 (10.0)	.475 (12.1)
07	.420 (10.7)	.500 (12.7)
08	.500 (12.7)	.580 (14.7)
09	.529 (13.4)	.609 (15.5)

**TABLE III:
FINISH OPTIONS**

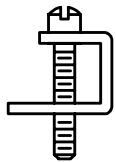
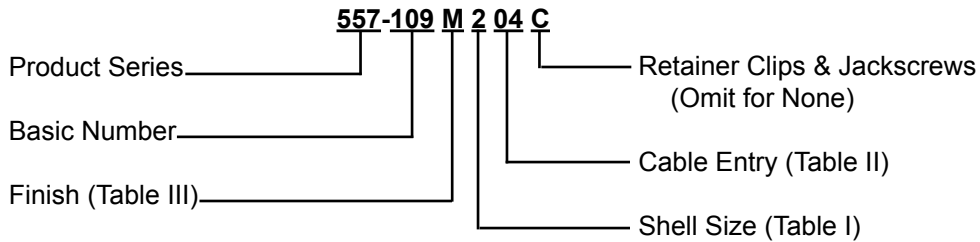
Symbol	Finish
B	Cadmium Plate/Olive Drab
C*	Black Anodize
G*	Anodic Hard Coat
J	Gold Iridite over Cadmium Plate over Electroless Nickel
LF	Cadmium Plate/Bright over Electroless Nickel
M	Electroless Nickel
N	Cadmium Plate/Olive Drab over Electroless Nickel
NC	Zinc Cobalt/Dark Olive Drab
NF	Cadmium Plate/Olive Drab over Electroless Nickel
T	Cadmium Plate/Bright over Electroless Nickel
U**	Cadmium Plate/Black
ZN	Zinc-Nickel Alloy/Olive Drab

*Anodize finish is not suitable for EMI shielding or grounding applications.
 **Applicable to corrosion resisting steel backshells and accessories. Consult factory for other available finishes.

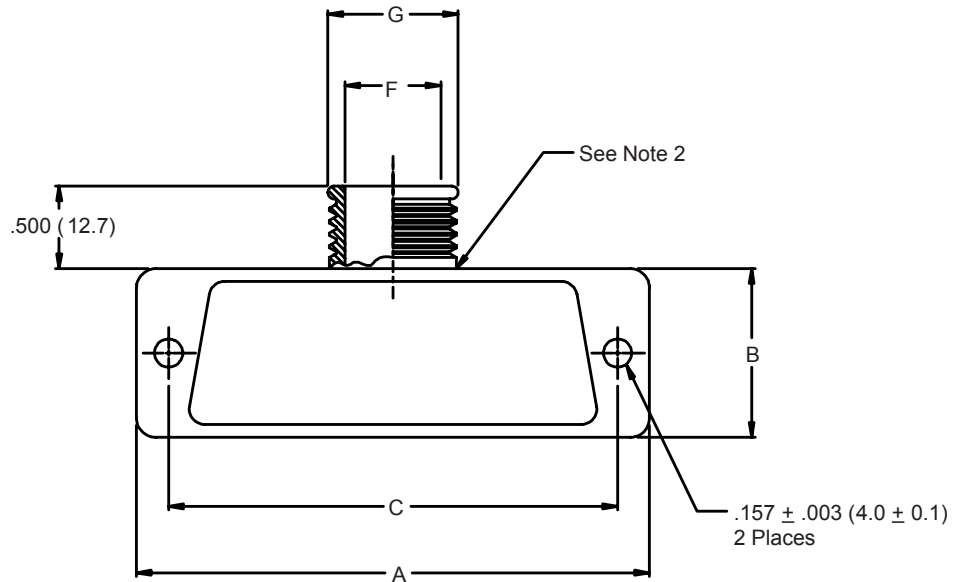
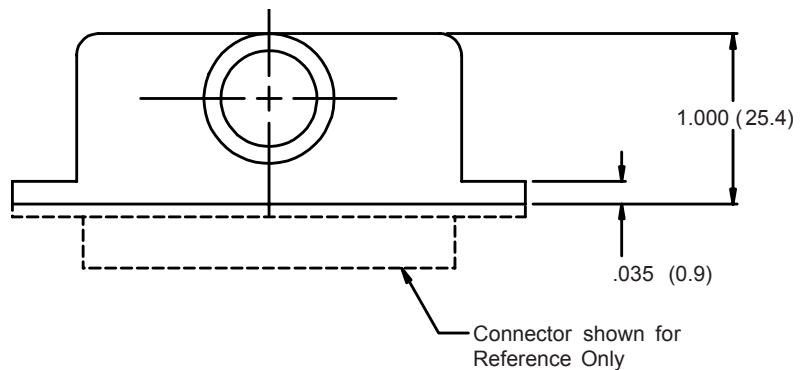
Metric dimensions (mm) are indicated in parentheses



557-109 EMI/RFI Banding Backshell Assembly for MIL-C-24308 Connectors



"C" Option
(See Note 3)



NOTES:

1. Metric dimensions (mm) are indicated in parentheses.
2. End Fitting may be brazed on per MIL-B-7883B, Type V, Grade B.
3. See 687-316 for Jackscrew Hardware

557-109 EMI/RFI Banding Backshell Assembly for MIL-C-24308 Connectors



MIL-DTL-24308
D-Subminiature

TABLE I: CONNECTOR INTERFACE DIMS

Shell Size	A	B	C ±.005 (0.1)
1	1.203 (30.6)	.500 (12.7)	.984 (25.0)
2	1.531 (38.9)	.500 (12.7)	1.312 (33.3)
3	2.078 (52.8)	.500 (12.7)	1.852 (47.0)
4	2.718 (69.0)	.500 (12.7)	2.500 (63.5)
5	2.625 (66.7)	.609 (15.5)	2.406 (61.1)

TABLE II: CABLE ENTRY

Dash No.	F Dia	G Dia
01	.125 (3.2)	.205 (5.2)
02	.187 (4.7)	.267 (6.8)
03	.270 (6.9)	.350 (8.9)
04	.290 (7.4)	.370 (9.4)
05	.312 (7.9)	.392 (10.0)
06	.395 (10.0)	.475 (12.1)
07	.420 (10.7)	.500 (12.7)
08	.500 (12.7)	.580 (14.7)
09	.529 (13.4)	.609 (15.5)

**TABLE III:
FINISH OPTIONS**

Symbol	Finish
B	Cadmium Plate/Olive Drab
C*	Black Anodize
G*	Anodic Hard Coat
J	Gold Iridite over Cadmium Plate over Electroless Nickel
LF	Cadmium Plate/Bright over Electroless Nickel
M	Electroless Nickel
N	Cadmium Plate/Olive Drab over Electroless Nickel
NC	Zinc Cobalt/Dark Olive Drab
NF	Cadmium Plate/Olive Drab over Electroless Nickel
T	Cadmium Plate/Bright over Electroless Nickel
U**	Cadmium Plate/Black
ZN	Zinc-Nickel Alloy/Olive Drab

*Anodize finish is not suitable for EMI shielding or grounding applications.

**Applicable to corrosion resisting steel backshells and accessories. Consult factory for other available finishes.

Metric dimensions (mm) are indicated in parentheses

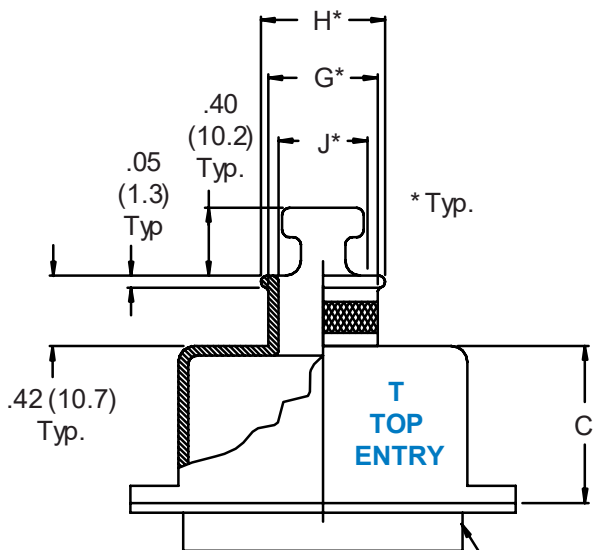


557-113
D-Subminiature Solid
Banding Backshell With Qwik-Ty®

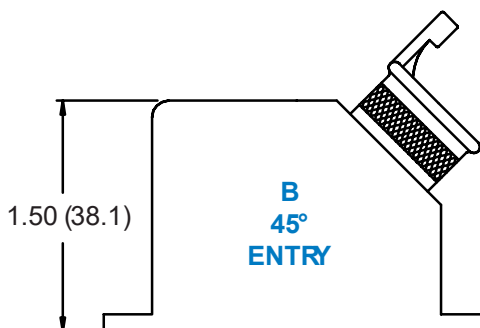
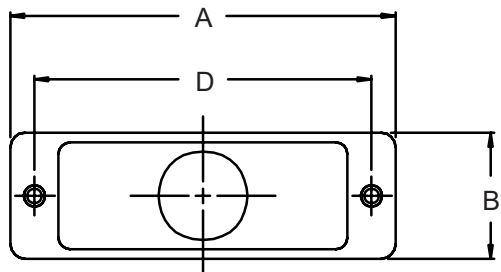
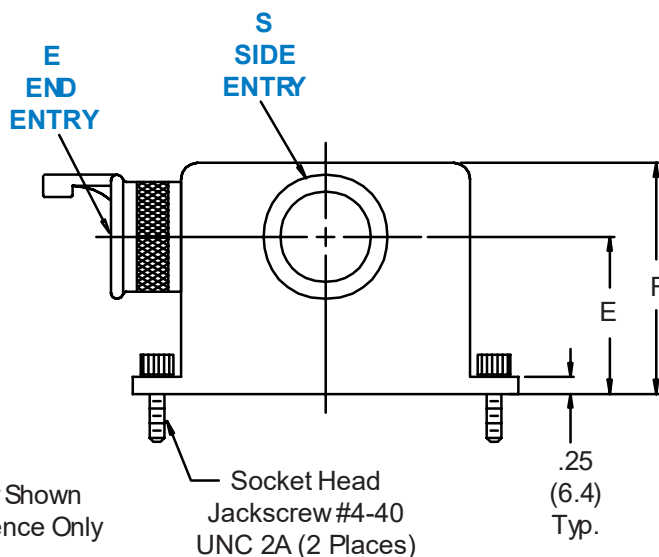
557 T 113 M 2 31 B

Basic Part No. ————
 Cable Entry Style ————
 T = Top
 S = Side
 E = End
 B = 45°

————— B = Band Supplied (600-052), Omit for None
 ———— Cable Entry (Table II)
 ———— Shell Size (Table I)
 ———— Finish Symbol (Page 3)
 ———— Basic Part Number



Connector Shown
For Reference Only



557-113
D-Subminiature Solid
Banding Backshell With Qwik-Ty®



MIL-DTL-24308
D-Subminiature

TABLE I: SHELL SIZE, BACKSHELL & CONNECTOR INTERFACE DIMENSIONS

Shell Size	A Max	B	C	D		E	F
				±.005	(.1)		
1	1.25 (31.8)	.53 (13.5)	.75 (19.1)	.984 (25.0)		1.25 (31.8)	1.88 (47.8)
2	1.58 (40.1)	.53 (13.5)	.75 (19.1)	1.312 (33.3)		1.25 (31.8)	1.88 (47.8)
3	2.13 (54.1)	.53 (13.5)	1.00 (25.4)	1.852 (47.0)		1.25 (31.8)	1.88 (47.8)
4	2.77 (70.4)	.53 (13.5)	1.00 (25.4)	2.500 (63.5)		1.25 (31.8)	1.88 (47.8)
5	2.68 (68.1)	.66 (16.8)	1.25 (31.8)	2.406 (61.1)		1.38 (35.1)	2.13 (54.1)

TABLE II: CABLE ENTRY

Dash No.	G Dia	H Dia	J Dia
16	.268 (6.8)	.299 (7.6)	.188 (4.8)
23	.330 (8.4)	.361 (9.2)	.250 (6.4)
30	.392 (10.0)	.423 (10.7)	.312 (7.9)
31	.455 (11.6)	.486 (12.3)	.375 (9.5)
32	.517 (13.1)	.548 (13.9)	.438 (11.1)
33*	.642 (16.3)	.673 (17.1)	.562 (14.3)

* Available in Shell Size 5 only.

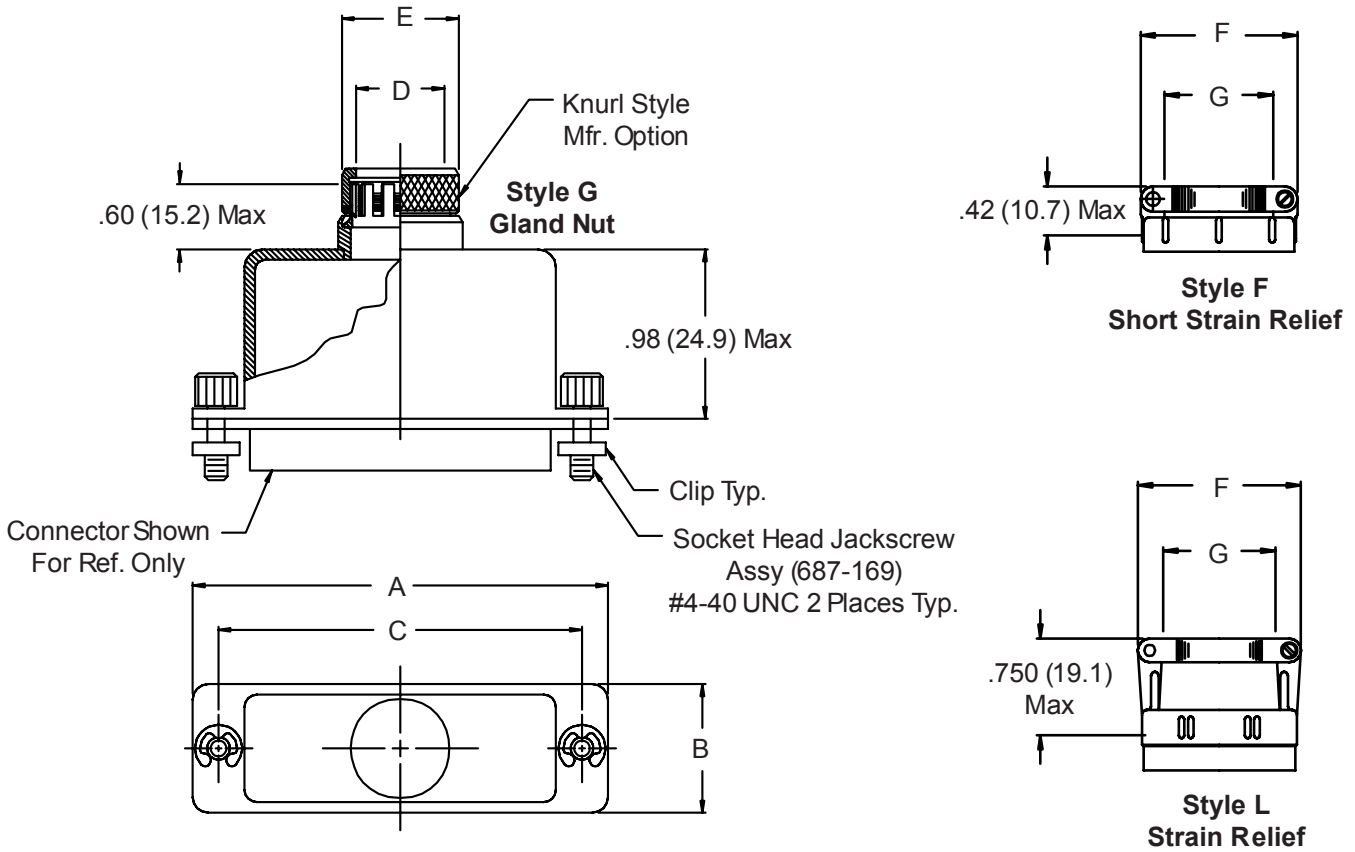
Metric dimensions (mm) are indicated in parentheses.

557-130
D-Subminiature TAG Ring®
Solid Backshell

557-130 M 2 02 G

Basic Part No. ————
 Finish Symbol ————
 (Page 3)
 Shell Size (Table I) ————

F = Short Strain Relief
 G = Gland Nut
 L = Strain Relief
 Cable Entry (Table II)



1. Metric dimensions (mm) are indicated in parentheses.
2. TAG Ring® nut is aluminum with gold iridite finish. TAG Ring® spring is beryllium copper with gold plating.

557-130
D-Subminiature TAG Ring®
Solid Backshell



TABLE I: SHELL SIZE & CONNECTOR INTERFACE DIMENSIONS

Shell Size	A Max	B Max	C ±.005 (.1)	Max Dash No. Table II
1	1.25 (31.8)	.53 (13.5)	.984 (25.0)	03
2	1.58 (40.1)	.53 (13.5)	1.312 (33.3)	03
3	2.13 (54.1)	.53 (13.5)	1.852 (47.0)	03
4	2.77 (70.4)	.53 (13.5)	2.500 (63.5)	03
5	2.68 (68.1)	.66 (16.8)	2.406 (61.1)	04
6	2.77 (70.4)	.73 (18.5)	2.500 (63.5)	05

TABLE II: CABLE ENTRY

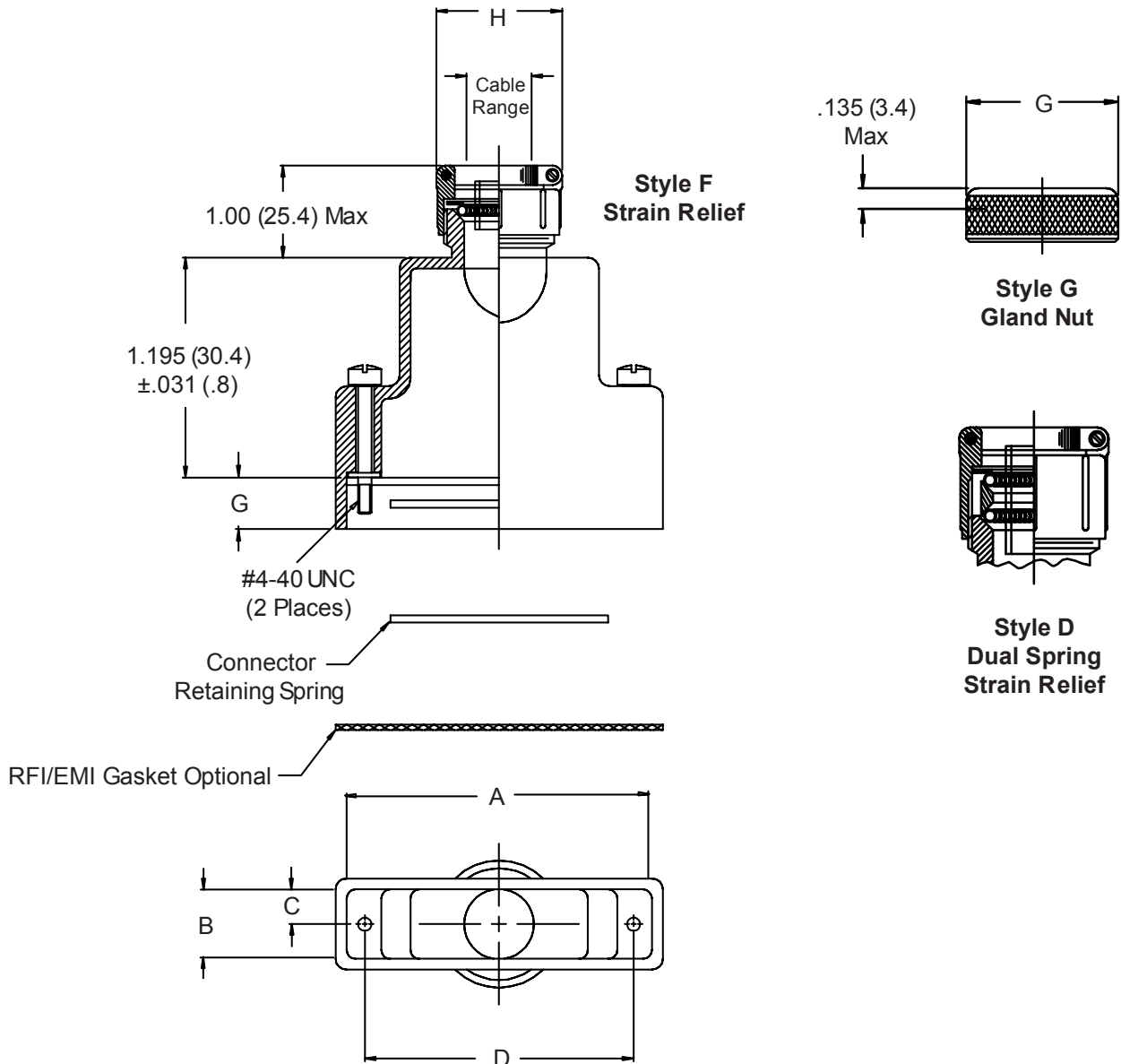
Dash No.	D Entry	E Dia Max	F Max	G - Cable Range	
				Min	Max
02	.25 (6.4)	.55 (14.0)	.97 (24.6)	.125 (3.2)	.250 (6.4)
03	.37 (9.4)	.67 (17.0)	1.05 (26.7)	.250 (6.4)	.375 (9.5)
04	.50 (12.7)	.80 (20.3)	1.16 (29.5)	.250 (6.4)	.438 (11.1)
05	.62 (15.7)	.92 (23.4)	1.22 (31.0)	.375 (9.5)	.625 (15.9)

Metric dimensions (mm) are indicated in parentheses.

557 T 133 M 2 F0 B 1 F 02-04

Basic Part No. ————
 Cable Entry Style ————
 T = Top
 Basic Part Number ————
 Finish Symbol (Page 3) ————
 Shell Size (Table I) ————
 Receptacle Mounting (Table II) ————
 F0 = Front Mounting
 R1-R9 = Rear Mounting

Inner Support Ring Dash No. (Table III), N = No Support Ring
 Cable Entry Dash No. (Table IV)
 F = Strain Relief, G = Gland Nut,
 D = Dual "G" Spring With Strain Relief
 0 = Without EMI Gasket,
 1 = With EMI Gasket
 Jackscrew Type (Page A-4)



557-133
D-Subminiature G-Spring Solid Backshell



MIL-DTL-24308
D-Subminiature

TABLE I: SHELL SIZE & CONNECTOR INTERFACE DIMENSIONS

Shell Size	Com'l Shell Size Ref	A	B	C	D	
					± 0.005	(.1)
1	E/09	1.241 (31.5)	.515 (13.0)	.258 (6.6)	.984	(25.0)
2	A/15	1.569 (39.9)	.515 (13.0)	.258 (6.6)	1.312	(33.3)
3	B/25	2.116 (53.7)	.515 (13.0)	.258 (6.6)	1.852	(47.0)
4	C/37	2.757 (70.0)	.515 (13.0)	.258 (6.6)	2.500	(63.5)
5	D/50	2.663 (67.6)	.625 (15.9)	.313 (8.0)	2.406	(61.1)
6	F/104	2.757 (70.0)	.688 (17.5)	.344 (8.7)	2.500	(63.5)

TABLE II: RECEPTACLE MOUNTING

Dash No.	Panel Thickness		G
R1	.031 (.8)	.247 (6.3)	
R2	.047 (1.2)	.231 (5.9)	
R3	.062 (1.6)	.216 (5.5)	
R4	.093 (2.4)	.185 (4.7)	
R5	.104 (2.6)	.174 (4.4)	
R6	.125 (3.2)	.153 (3.9)	
R7	.156 (4.0)	.125 (3.2)	
R8	.135 (3.4)	.140 (3.6)	
F0	N/A	.305 (7.7)	

TABLE III: SUPPORT RING

Dash No.	Inner Support	
	I.D.	O.D.
01	.187 (4.7)	.227 (5.8)
02	.218 (5.5)	.258 (6.6)
03	.250 (6.4)	.290 (7.4)
04	.281 (7.1)	.321 (8.2)
05	.312 (7.9)	.352 (8.9)
06	.343 (8.7)	.383 (9.7)
07	.375 (9.5)	.415 (10.5)
08	.406 (10.3)	.446 (11.3)
09	.438 (11.1)	.478 (12.1)
10	.468 (11.9)	.508 (12.9)

TABLE IV: CABLE ENTRY

Dash No.	G Max	H Max	Cable Range	
			Min	Max
01	.625 (15.9)	.843 (21.4)	.125 (3.2)	.250 (6.4)
02	.750 (19.1)	.968 (24.6)	.156 (4.0)	.375 (9.5)
03	1.000 (25.4)	1.156 (29.4)	.280 (7.1)	.500 (12.7)
04	1.125 (28.6)	1.218 (30.9)	.375 (9.5)	.625 (15.9)

1. Metric dimensions (mm) are indicated in parentheses.
2. **DO NOT USE CONNECTORS WITH FLOAT MOUNTINGS.**
3. For front mount, mating connector must be mounted to panel using M24308/26 female screwlocks. For rear mount, use Glenair GK134.
4. For proper termination it is recommended that Glenair 469-001 shield support ring be used on all assemblies. Place ring over wire bundle and under shield, position under G-Spring.

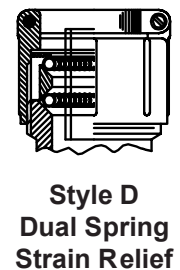
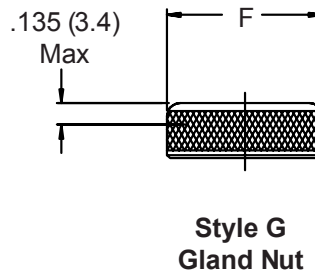
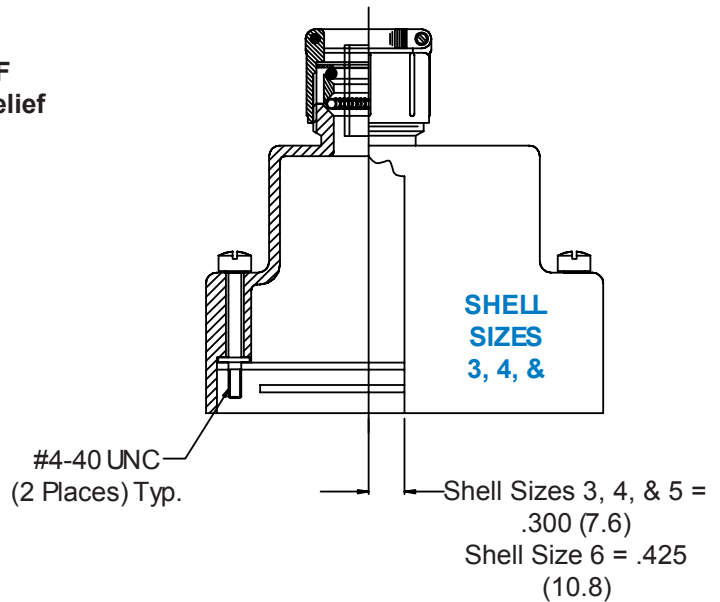
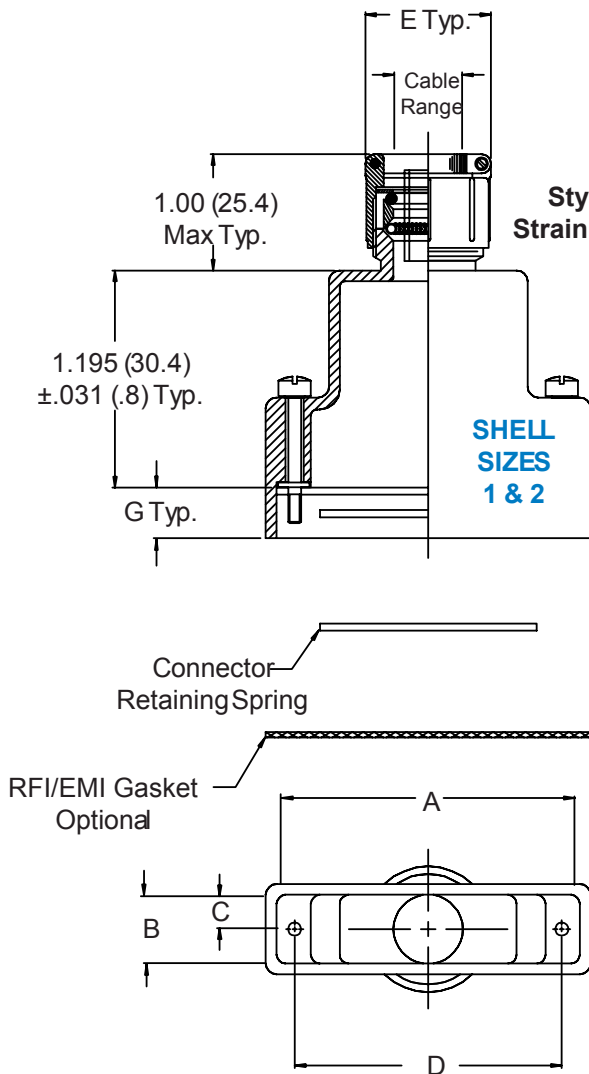


557-175 D-Subminiature G-Spring Solid Backshell

557 T 175 M 2 F0 B 1 F 02

Basic Part No. ————
 Cable Entry Style ————
 T = Top
 Basic Part Number ————
 Finish Symbol (Page 3) ————
 Shell Size (Table I) ————
 Receptacle Mounting (Table II) ————
 F0 = Front Mounting
 R1-R9 = Rear Mounting

Inner Support Ring Dash No. (Table III), N = No Support Ring
 F = Strain Relief, G = Gland Nut,
 D = Dual "G" Spring With Strain Relief
 0 = Without EMI Gasket,
 1 = With EMI Gasket
 Jackscrew Type (Page A-4)



557-175
D-Subminiature G-Spring Solid Backshell



MIL-DTL-24308
D-Subminiature

TABLE I: SHELL SIZE & CONNECTOR INTERFACE DIMENSIONS

Shell Size	Com'l		A	B	C	D	
	Shell Size Ref					$\pm .005$	(.1)
1	E/09		1.241 (31.5)	.515 (13.0)	.258 (6.6)	.984	(25.0)
2	A/15		1.569 (39.9)	.515 (13.0)	.258 (6.6)	1.312	(33.3)
3	B/25		2.116 (53.7)	.515 (13.0)	.258 (6.6)	1.852	(47.0)
4	C/37		2.757 (70.0)	.515 (13.0)	.258 (6.6)	2.500	(63.5)
5	D/50		2.663 (67.6)	.625 (15.9)	.313 (8.0)	2.406	(61.1)
6	F/104		2.757 (70.0)	.688 (17.5)	.344 (8.7)	2.500	(63.5)

TABLE I (Continued): CABLE ENTRY & GLAND NUT

Shell Size	Com'l		E Max	F Max	Cable Range			
	Shell Size Ref				Min		Max	
1	E/09		.843 (21.4)	.625 (15.9)	.125 (3.2)	.250	(6.4)	
2	A/15		.968 (24.6)	.750 (19.1)	.156 (4.0)	.375	(9.5)	
3	B/25		1.156 (29.4)	1.000 (25.4)	.280 (7.1)	.500	(12.7)	
4	C/37		1.156 (29.4)	1.000 (25.4)	.280 (7.1)	.500	(12.7)	
5	D/50		1.218 (30.9)	1.250 (31.8)	.375 (9.5)	.625	(15.9)	
6	F/104		1.468 (37.3)	1.375 (34.9)	.625 (15.9)	.875	(22.2)	

TABLE II: RECEPTACLE MOUNTING

Dash No.	Panel		G
	Thickness		
R1	.031 (.8)	.247	(6.3)
R2	.047 (1.2)	.231	(5.9)
R3	.062 (1.6)	.216	(5.5)
R4	.093 (2.4)	.185	(4.7)
R5	.104 (2.6)	.174	(4.4)
R6	.125 (3.2)	.153	(3.9)
R7	.156 (4.0)	.125	(3.2)
R8	.135 (3.4)	.140	(3.6)
F0	N/A	.305	(7.7)

TABLE III: SUPPORT RING

Dash No.	Inner Support	
	I.D.	O.D.
01	.187 (4.7)	.227 (5.8)
02	.218 (5.5)	.258 (6.6)
03	.250 (6.4)	.290 (7.4)
04	.281 (7.1)	.321 (8.2)
05	.312 (7.9)	.352 (8.9)
06	.343 (8.7)	.383 (9.7)
07	.375 (9.5)	.415 (10.5)
08	.406 (10.3)	.446 (11.3)
09	.438 (11.1)	.478 (12.1)
10	.468 (11.9)	.508 (12.9)

1. Metric dimensions (mm) are indicated in parentheses.
2. **DO NOT USE CONNECTORS WITH FLOAT MOUNTINGS.**
3. For front mount, mating connector must be mounted to panel using M24308/26 female screwlocks. For rear mount, use Glenair GK134.
4. For proper termination it is recommended that Glenair 469-001 shield support ring be used on all assemblies. Place ring over wire bundle and under shield, position under G-Spring.

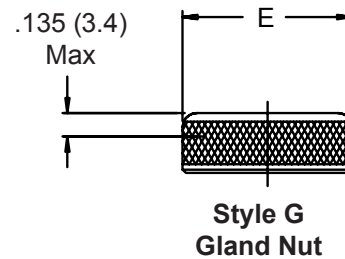
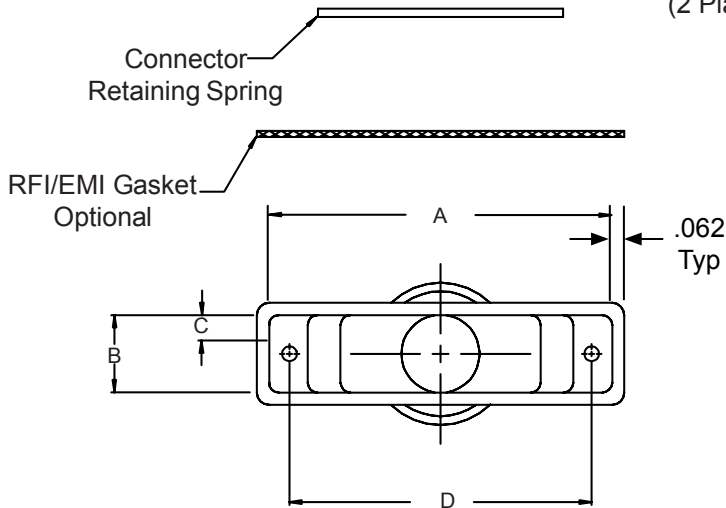
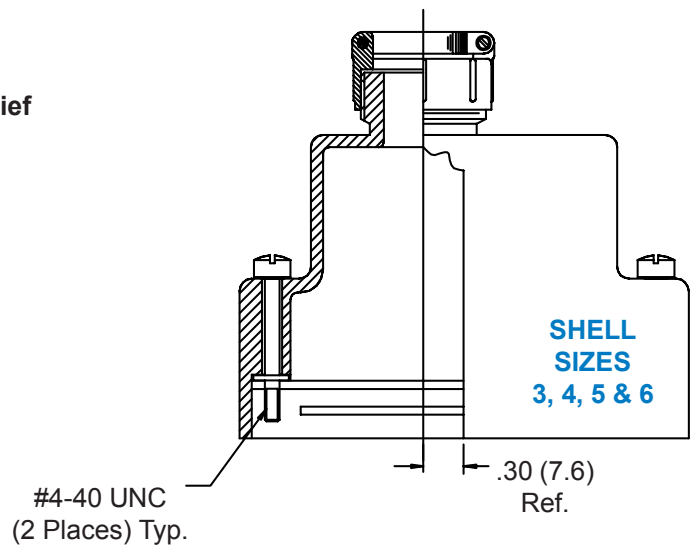
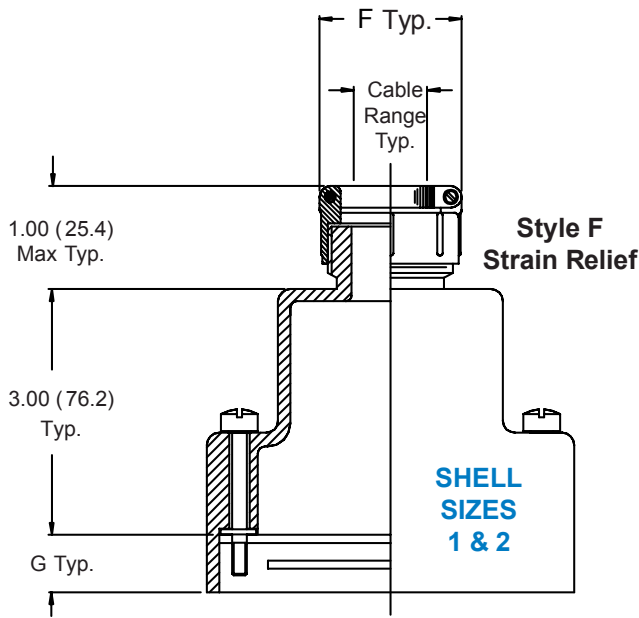


557-178
D-Subminiature Non-EMI
Strain-Relief Solid Backshell

557 T 178 M 2 F0 B 1 F

Basic Part No. ————
 Cable Entry Style ————
 T = Top
 Basic Part Number ————
 Finish Symbol (Page 3) ————
 Shell Size (Table I) ————

F = Strain Relief
 G = Gland Nut
 0 = Without EMI Gasket,
 1 = With EMI Gasket
 Jackscrew Type (Page A-4)
 Receptacle Mounting (Table II)
 F0 = Front Mounting
 R1-R8 = Rear Mounting



557-178
D-Subminiature Non-EMI
Strain-Relief Solid Backshell



MIL-DTL-24308
D-Subminiature

TABLE I: SHELL SIZE & CONNECTOR INTERFACE DIMENSIONS

Shell Size	Com'l Shell Size Ref	A		B		C		D	
								±.005	(.1)
1	E/09	1.241	(31.5)	.515	(13.0)	.258	(6.6)	.984	(25.0)
2	A/15	1.569	(39.9)	.515	(13.0)	.258	(6.6)	1.312	(33.3)
3	B/25	2.116	(53.7)	.515	(13.0)	.258	(6.6)	1.852	(47.0)
4	C/37	2.757	(70.0)	.515	(13.0)	.258	(6.6)	2.500	(63.5)
5	D/50	2.663	(67.6)	.625	(15.9)	.313	(8.0)	2.406	(61.1)
6	F/104	2.757	(70.0)	.688	(17.5)	.344	(8.7)	2.500	(63.5)

TABLE I (Continued): CABLE ENTRY & GLAND NUT

Shell Size	Com'l Shell Size Ref	F Max	E Max	Cable Range	
				Min	Max
1	E/09	.968 (24.6)	.781 (19.8)	.125 (3.2)	.250 (6.4)
2	A/15	1.046 (26.6)	.906 (23.0)	.156 (4.0)	.375 (9.5)
3	B/25	1.156 (29.4)	1.031 (26.2)	.280 (7.1)	.500 (12.7)
4	C/37	1.156 (29.4)	1.031 (26.2)	.280 (7.1)	.500 (12.7)
5	D/50	1.218 (30.9)	1.156 (29.4)	.375 (9.5)	.625 (15.9)
6	F/104	1.468 (37.3)	1.406 (35.7)	.625 (15.9)	.875 (22.2)

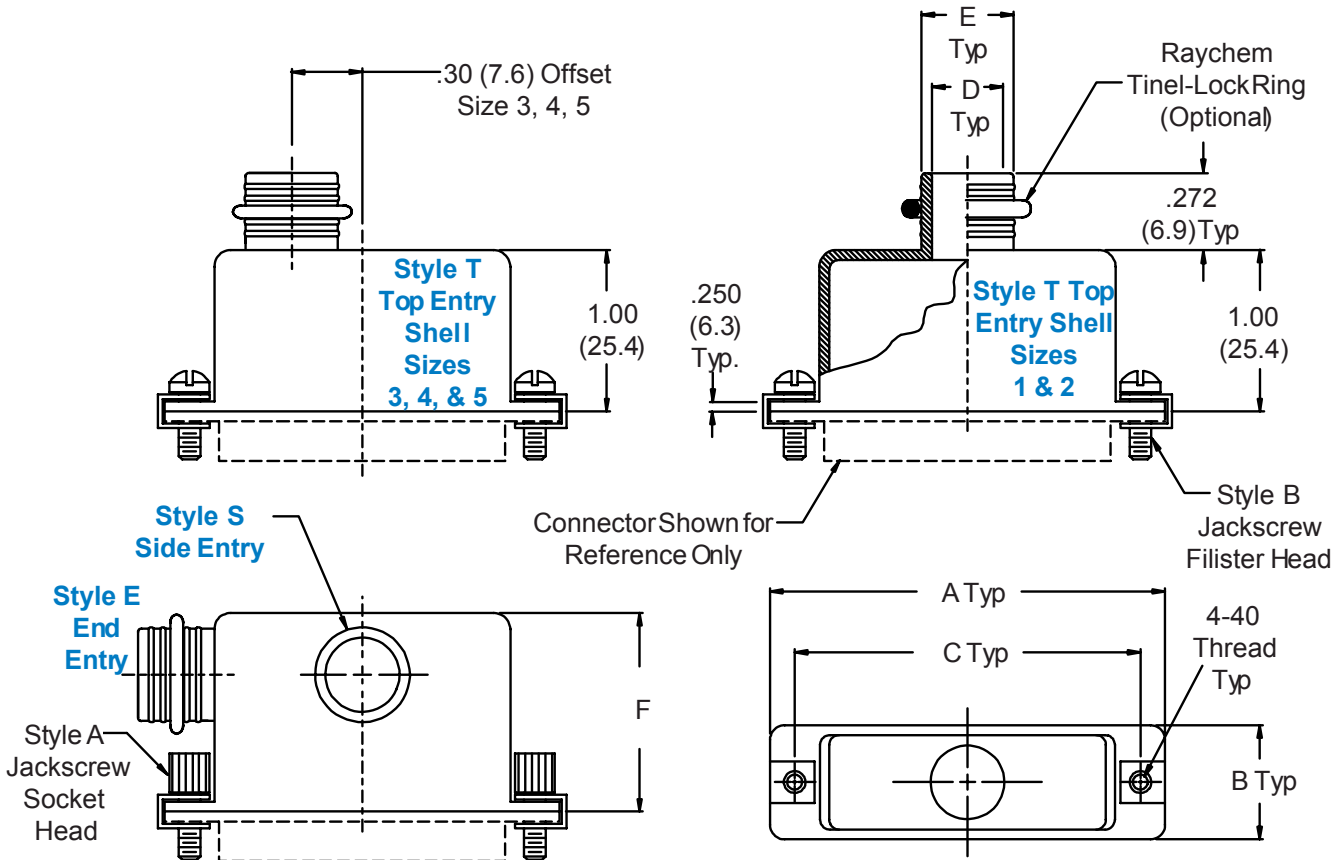
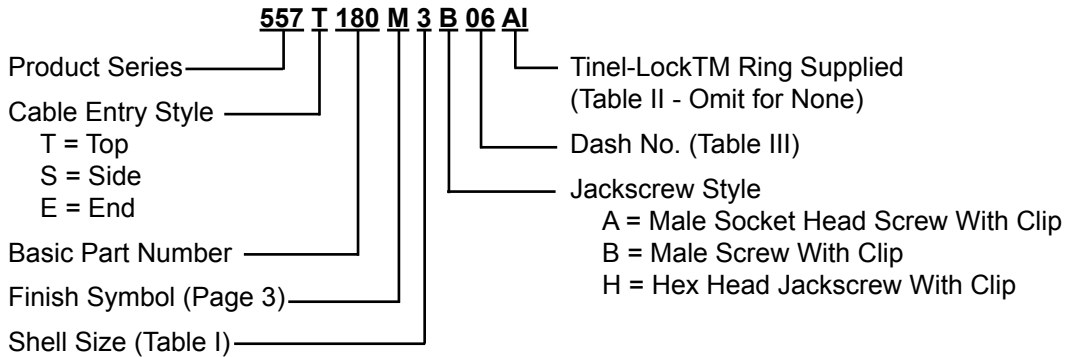
TABLE II: RECEPTACLE MOUNTING

Dash No.	Panel Thickness		G	
R1	.031	(.8)	.247	(6.3)
R2	.047	(1.2)	.231	(5.9)
R3	.062	(1.6)	.216	(5.5)
R4	.093	(2.4)	.185	(4.7)
R5	.104	(2.6)	.174	(4.4)
R6	.125	(3.2)	.153	(3.9)
R7	.156	(4.0)	.125	(3.2)
R8	.135	(3.4)	.140	(3.6)
F0	N/A		.305	(7.7)

1. Metric dimensions (mm) are indicated in parentheses.
2. **DO NOT USE CONNECTORS WITH FLOAT MOUNTINGS.**
3. For front mount, mating connector must be mounted to panel using M24308/26 female screwlocks. For rear mount, use Glenair GK134.



557-180 D-Subminiature Solid Tinel-Lock™ Banding Backshell



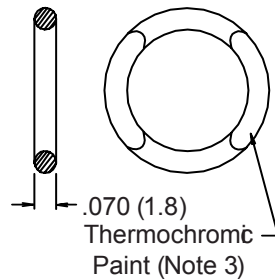
557-180
D-Subminiature Solid
Tinel-Lock™ Banding Backshell



MIL-DTL-24308
D-Subminiature

TABLE I: SHELL SIZE AND
CONNECTOR INTERFACE DIMENSIONS

Shell Size	Com'l Shell Size		A	B	C ±.005 (.1)
	Ref				
1	E/09		1.20 (30.6)	.500 (12.7)	.984 (25.0)
2	A/15		1.53 (38.9)	.500 (12.7)	1.312 (33.3)
3	B/25		2.08 (52.8)	.500 (12.7)	1.852 (47.0)
4	C/37		2.72 (69.0)	.500 (12.7)	2.500 (63.5)
5	D/50		2.63 (66.7)	.609 (15.5)	2.406 (61.1)



Tinel-Lock™ Ring
Option (See Table II)

TABLE II: TINEL-LOCK™ RING

Braid Type	Ring Desig.
Single Layer 36 AWG	AI
Single Layer 34 AWG	AI
Single Layer 32 AWG	BI
Single Layer 30 AWG	BI
Double Layer 36 AWG	BI
Double Layer 34 AWG	BI
Double Layer 32 AWG	CI

TABLE III: CABLE ENTRY

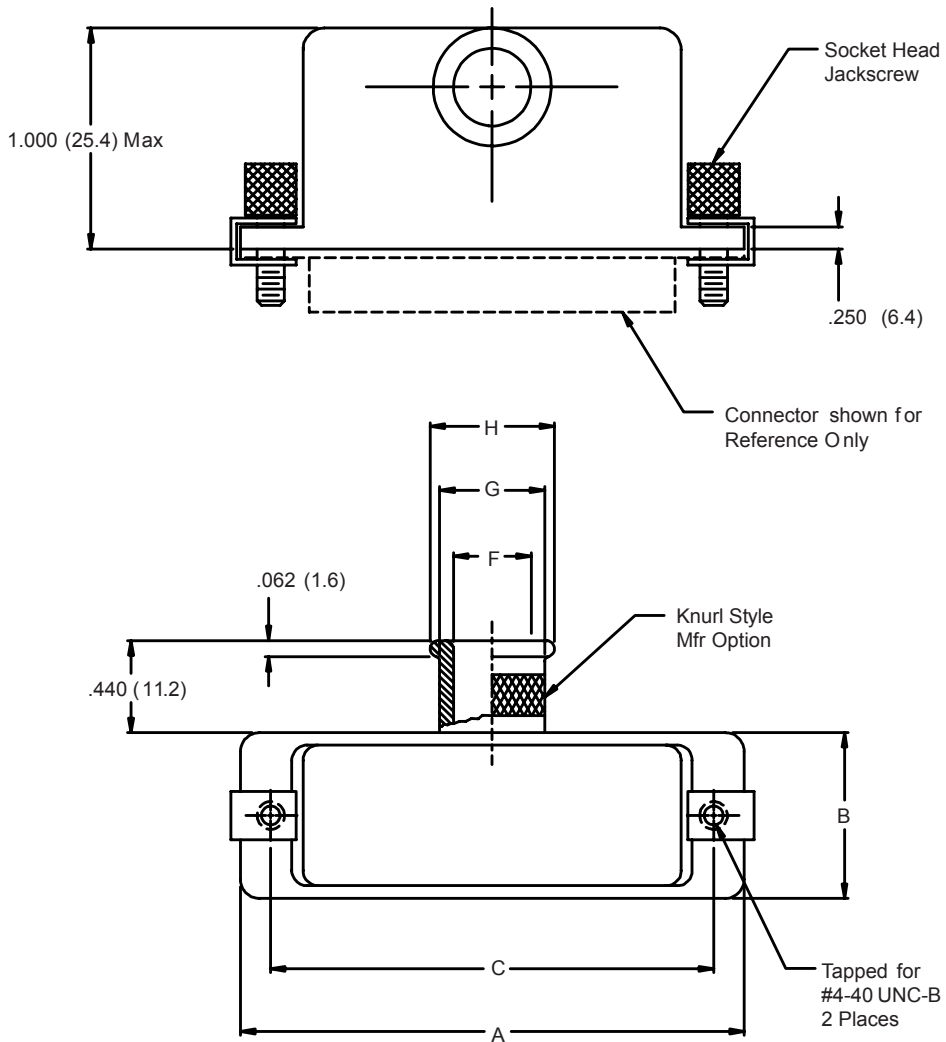
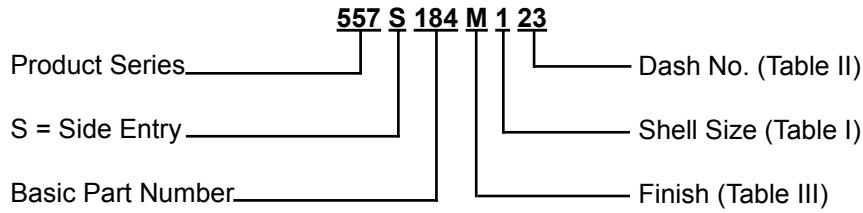
Dash No.	D Dia	E Dia Max	F Dim	Tinel-Lock™ Ring Entry Size
04	.250 (6.4)	.375 (9.5)	1.25 (31.8)	04
05	.312 (7.9)	.437 (11.1)	1.38 (35.1)	05
06	.375 (9.5)	.500 (12.7)	1.38 (35.1)	06
07	.437 (11.1)	.625 (15.9)	1.50 (38.1)	08
08*	.500 (12.7)	.750 (19.1)	1.50 (38.1)	10

* Available in Shell Size 5 Only.

1. Metric dimensions (mm) are indicated in parentheses.
2. **DO NOT USE CONNECTORS WITH FLOAT MOUNTINGS.**
3. The Tinel-Lock™ Ring designator must be specified according to the type of cable braid used. Tinel-Lock™ Rings are marked with thermochromic paint which changes color when the correct installation temperature is reached. BI rings are identified with a red spot. CI rings are identified with a blue spot.



557-184 EMI/RFI Banding Backshell Assembly for MIL-C-24308 Connectors



Metric dimensions (mm) are indicated in parentheses

557-184
EMI/RFI Banding Backshell Assembly
for MIL-C-24308 Connectors



MIL-DTL-24308
D-Subminiature

TABLE I: CONNECTOR INTERFACE DIMS

Shell Size	A Max	B	C ±.005 (0.1)
1	1.250 (31.8)	.530 (13.5)	.984 (25.0)

TABLE II: CABLE ENTRY

Dash No.	F Dia	G Dia	H Dia
23	.250 (6.4)	.340 (8.6)	.370 (9.4)

**TABLE III:
FINISH OPTIONS**

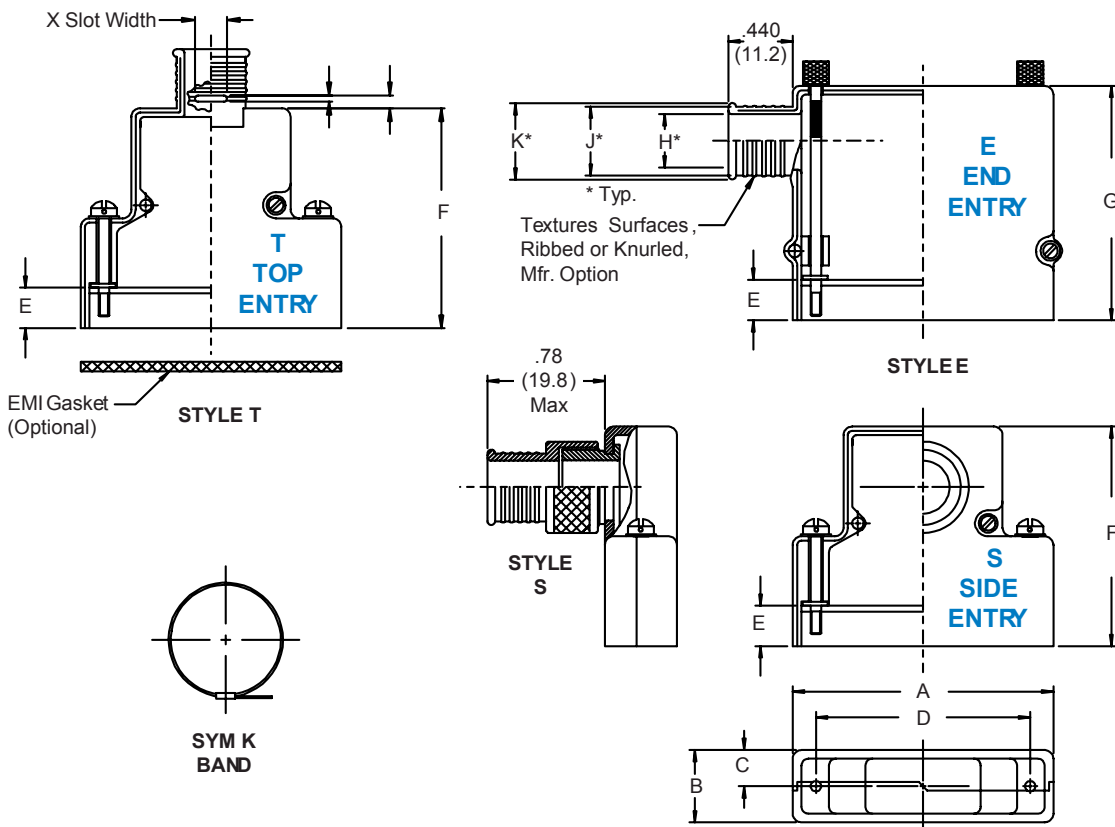
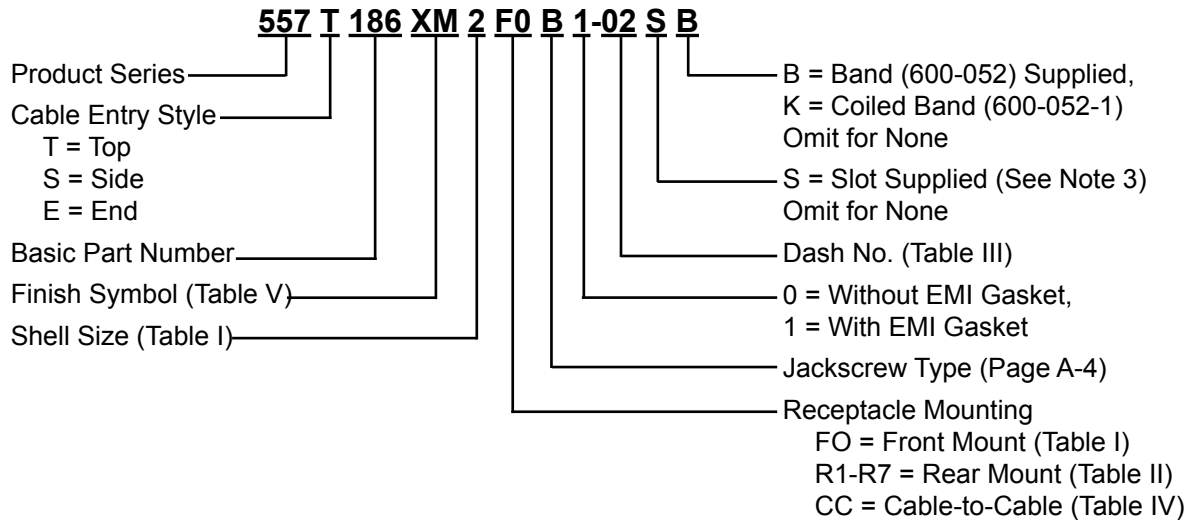
Symbol	Finish
B	Cadmium Plate/Olive Drab
C*	Black Anodize
G*	Anodic Hard Coat
J	Gold Iridite over Cadmium Plate over Electroless Nickel
LF	Cadmium Plate/Bright over Electroless Nickel
M	Electroless Nickel
N	Cadmium Plate/Olive Drab over Electroless Nickel
NC	Zinc Cobalt/Dark Olive Drab
NF	Cadmium Plate/Olive Drab over Electroless Nickel
T	Cadmium Plate/Bright over Electroless Nickel
U**	Cadmium Plate/Black
ZN	Zinc-Nickel Alloy/Olive Drab

*Anodize finish is not suitable for EMI shielding or grounding applications.
**Applicable to corrosion resisting steel backshells and accessories. Consult factory for other available finishes.

Metric dimensions (mm) are indicated in parentheses



557-186
Composite D-Subminiature
EMI/RFI Banding Split Backshell



1. Metric dimensions (mm) are indicated in parentheses.
2. Maximum entry applicable to Style T and E, Shell Size 01, Entry S Max. -04; Styles E & T Max. -05.
2. **DO NOT USE CONNECTORS WITH FLOAT MOUNTINGS.**
3. The backshell body is a made of a composite material which complies with AIR 4567, MIL-C-85049.

557-186
Composite D-Subminiature
EMI/RFI Banding Split Backshell



TABLE I - FRONT MOUNTING

Shell Size	Com'l Shell Size Ref	B		C	D		E	F	G	Max Entry (See Note 2)
		A	Max		$\pm 0.005 (.1)$					
1	E/09	1.378 (35.0)	.624 (15.8)	.312 (7.9)	.984 (25.0)	.340 (8.6)	1.625 (41.3)	1.750 (44.5)	04/05	
2	A/15	1.691 (43.0)	.624 (15.8)	.312 (7.9)	1.312 (33.3)	.340 (8.6)	1.625 (41.3)	1.750 (44.5)	05	
3	B/25	2.250 (57.2)	.624 (15.8)	.312 (7.9)	1.852 (47.0)	.343 (8.7)	1.844 (46.8)	2.000 (50.8)	05	
4	C/37	2.879 (73.1)	.624 (15.8)	.312 (7.9)	2.500 (63.5)	.343 (8.7)	1.844 (46.8)	2.000 (50.8)	05	
5	D/50	2.785 (70.7)	.735 (18.7)	.375 (9.5)	2.406 (61.1)	.343 (8.7)	1.844 (46.8)	2.000 (50.8)	07	

TABLE II - REAR MOUNTING

Dash No.	Panel Thickness	E Ref.	F		G	
			Sizes 1 & 2	Sizes 3 - 5	Sizes 1 & 2	Sizes 3 - 5
R1	.031 (.8)	.247 (6.3)	1.525 (38.7)	1.745 (44.3)	1.656 (42.1)	1.904 (48.4)
R2	.047 (1.2)	.231 (5.9)	1.509 (38.3)	1.728 (43.9)	1.640 (41.7)	1.888 (48.0)
R3	.062 (1.6)	.216 (5.5)	1.500 (38.1)	1.720 (43.7)	1.625 (41.3)	1.873 (47.6)
R4	.093 (2.4)	.185 (4.7)	1.470 (37.3)	1.690 (42.9)	1.594 (40.5)	1.842 (46.8)
R5	.104 (2.6)	.174 (4.4)	1.451 (36.9)	1.671 (42.4)	1.583 (40.2)	1.831 (46.5)
R6	.125 (3.2)	.153 (3.9)	1.430 (36.3)	1.650 (41.9)	1.563 (39.7)	1.811 (46.0)
R7	.156 (4.0)	.125 (3.2)	1.400 (35.6)	1.620 (41.1)	1.532 (38.9)	1.780 (45.2)

TABLE III: CABLE ENTRY

Dash No.	H Dia	J Dia	K Dia	X
01	.125 (3.2)	.250 (6.4)	.312 (7.9)	N/A
02	.250 (6.4)	.375 (9.5)	.438 (11.1)	.062 (1.6)
03	.312 (7.9)	.438 (11.1)	.500 (12.7)	.094 (2.4)
04	.375 (9.5)	.500 (12.7)	.562 (14.3)	.156 (4.0)
05	.438 (11.1)	.562 (14.3)	.625 (15.9)	.188 (4.8)
06	.500 (12.7)	.625 (15.9)	.688 (17.5)	.219 (5.6)
07	.562 (14.3)	.688 (17.5)	.750 (19.1)	.250 (6.4)
08	.625 (15.9)	.750 (19.1)	.812 (20.6)	.250 (6.4)
09	.750 (19.1)	.875 (22.2)	.937 (23.8)	.312 (7.9)
10	.875 (22.2)	1.000 (25.4)	1.062 (27.0)	.375 (9.5)
11	1.000 (25.4)	1.125 (28.6)	1.188 (30.2)	.375 (9.5)

TABLE V - Finishes

XM	Electroless Nickel
XW	Cadmium Olive Drab Over Electroless Nickel
XB	No Plating, Black Base Material, Non-Conductive

TABLE IV - CABLE-TO-CABLE

Shell Size	Com'l Shell Size Ref	B		C	E		F	G	Max Entry (See Note 2)
		A	Max		$\pm 0.005 (.1)$	$+0.030 (0.8)$ $-0.000 (0)$			
1	E/09	1.363 (34.6)	.624 (15.8)	.322 (8.2)	.984 (25.0)	.170 (4.3)	1.625 (41.3)	1.750 (44.5)	04/05
2	A/15	1.691 (43.0)	.624 (15.8)	.322 (8.2)	1.312 (33.3)	.170 (4.3)	1.625 (41.3)	1.750 (44.5)	05
3	B/25	2.250 (57.2)	.624 (15.8)	.322 (8.2)	1.852 (47.0)	.172 (4.4)	1.844 (46.8)	2.000 (50.8)	05
4	C/37	2.879 (73.1)	.624 (15.8)	.322 (8.2)	2.500 (63.5)	.172 (4.4)	1.844 (46.8)	2.000 (50.8)	05
5	D/50	2.785 (70.7)	.735 (18.7)	.375 (9.5)	2.406 (61.1)	.172 (4.4)	1.844 (46.8)	2.000 (50.8)	07

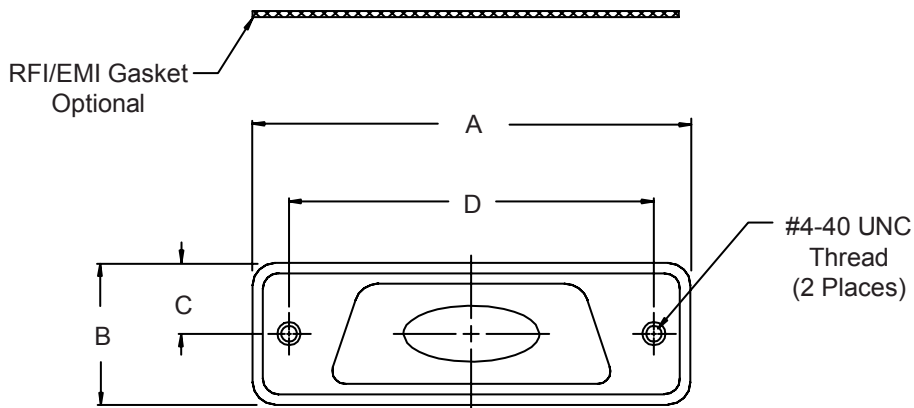
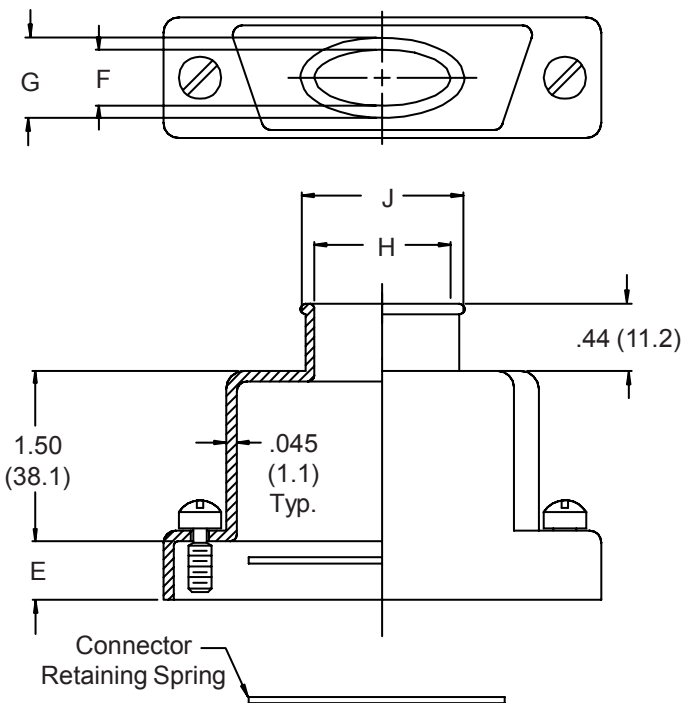
1. Metric dimensions (mm) are indicated in parentheses.
2. Maximum entry applicable to Style T and E, Shell Size 01, Entry S Max. -04; Styles E & T Max. -05.
2. **DO NOT USE CONNECTORS WITH FLOAT MOUNTINGS.**
3. The backshell body is a made of a composite material which complies with AIR 4567, MIL-C-85049.



557-196
D-Subminiature Solid Banding Backshell
with Elliptical Entry

557 T 196 M 2 R1 B 1-04 B

Product Series ———— B = Band Supplied (600-052), Omit for None
 Cable Entry Style ———— Dash No. (Table III)
 T = Top
 Basic Part Number ———— 0 = Without EMI Gasket,
 1 = With EMI Gasket
 Finish Symbol (Page 3) ———— Jackscrew Type (Page A-4)
 Shell Size (Table I) ———— Receptacle Mounting (Table II)
 F0 = Front Mounting
 R1-R7 = Rear Mounting



557-196
D-Subminiature Solid Banding Backshell
with Elliptical Entry



MIL-DTL-24308
D-Subminiature

TABLE I: SHELL SIZE & CONNECTOR INTERFACE DIMENSIONS

Shell Size	Com'l Shell Size Ref	A MAX	B MAX	C Ref.	D		Available Dash No. Table III
					±.005	(.1)	
1	E/09	1.393 (35.4)	.624 (15.8)	.312 (7.9)	.984 (25.0)		01-03
2	A/15	1.706 (43.3)	.624 (15.8)	.312 (7.9)	1.312 (33.3)		01-05
3	B/25	2.265 (57.5)	.624 (15.8)	.312 (7.9)	1.852 (47.0)		01-10
4	C/37	2.900 (73.7)	.624 (15.8)	.312 (7.9)	2.500 (63.5)		01-12
5	D/50	2.800 (71.1)	.750 (19.1)	.375 (9.5)	2.406 (61.1)		01-11 & 13
6	F/104	2.900 (73.7)	.844 (21.4)	.422 (10.7)	2.500 (63.5)		01-14

TABLE II: RECEPTACLE MOUNTING

Dash No.	Panel Thickness	E
R1	.031 (.8)	.247 (6.3)
R2	.047 (1.2)	.231 (5.9)
R3	.062 (1.6)	.216 (5.5)
R4	.093 (2.4)	.185 (4.7)
R5	.104 (2.6)	.174 (4.4)
R6	.125 (3.2)	.153 (3.9)
R7	.156 (4.0)	.125 (3.2)
F0	N/A	.305 (7.7)

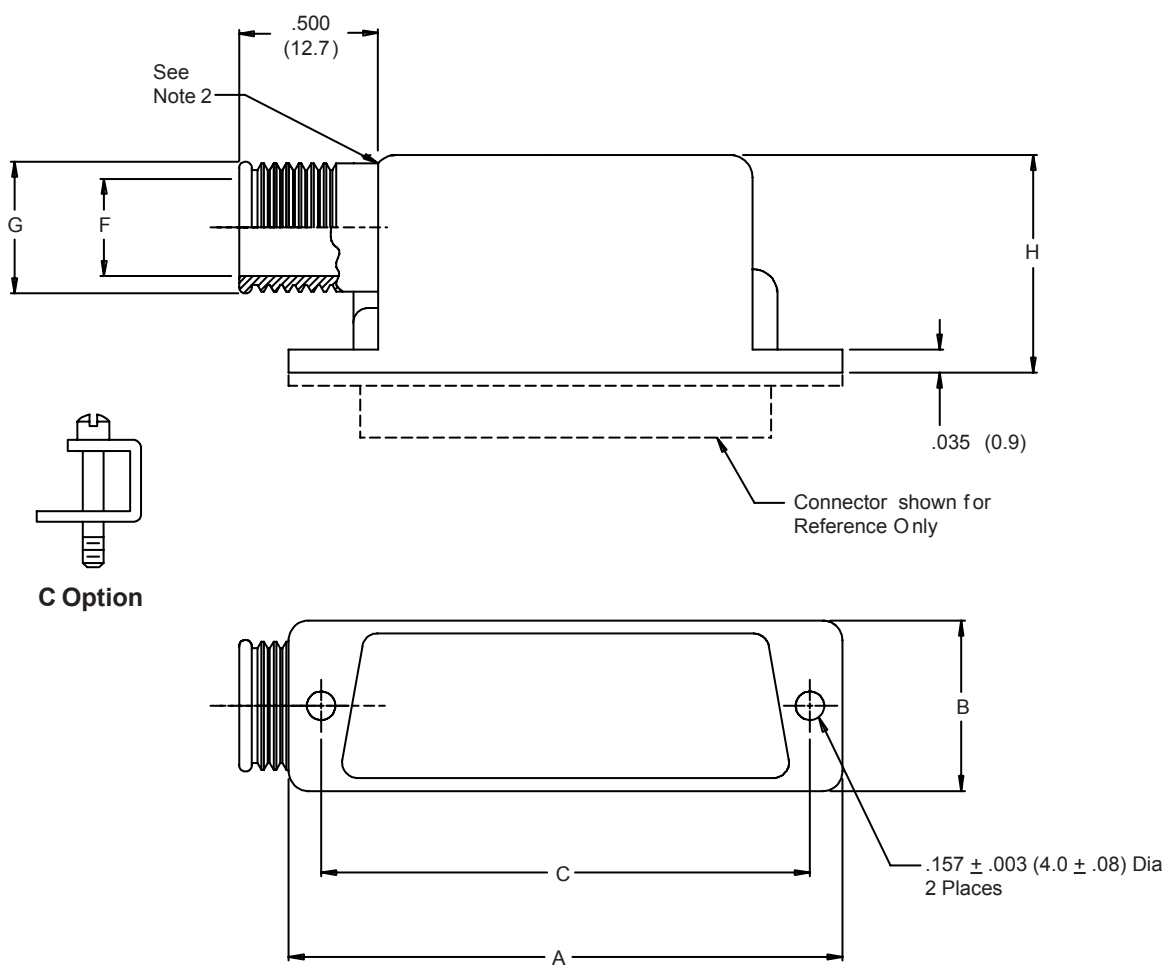
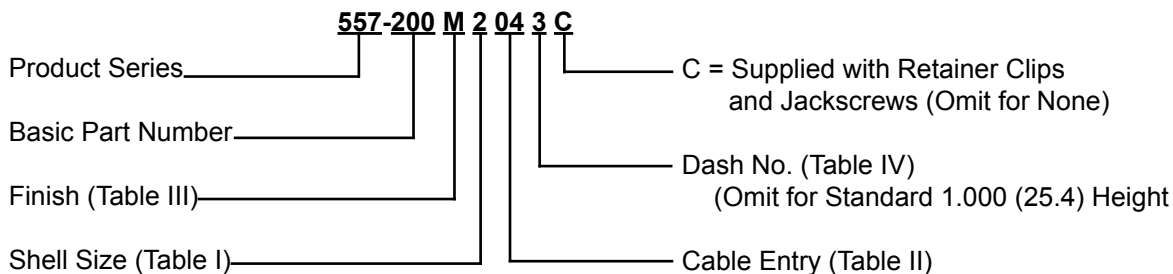
TABLE III: CABLE ENTRY

Dash No.	F	G	H	J
01	.250 (6.4)	.375 (9.5)	.250 (6.4)	.375 (9.5)
02	.250 (6.4)	.375 (9.5)	.375 (9.5)	.500 (12.7)
03	.312 (7.9)	.438 (11.1)	.500 (12.7)	.625 (15.9)
04	.312 (7.9)	.438 (11.1)	.625 (15.9)	.750 (19.1)
05	.312 (7.9)	.438 (11.1)	.750 (19.1)	.875 (22.2)
06	.312 (7.9)	.438 (11.1)	.875 (22.2)	1.000 (25.4)
07	.312 (7.9)	.438 (11.1)	1.000 (25.4)	1.125 (28.6)
08	.375 (9.5)	.500 (12.7)	1.125 (28.6)	1.250 (31.8)
09	.375 (9.5)	.500 (12.7)	1.250 (31.8)	1.375 (34.9)
10	.375 (9.5)	.500 (12.7)	1.375 (34.9)	1.500 (38.1)
11	.437 (11.1)	.562 (14.3)	1.452 (36.9)	1.577 (40.1)
12	.437 (11.1)	.562 (14.3)	2.100 (53.3)	2.225 (56.5)
13	.550 (14.0)	.675 (17.1)	2.000 (50.8)	2.125 (54.0)
14	.615 (15.6)	.740 (18.8)	2.100 (53.3)	2.225 (56.5)

1. Metric dimensions (mm) are indicated in parentheses.
2. **DO NOT USE CONNECTORS WITH FLOAT MOUNTINGS.**
3. For front mount, mating connector must be mounted to panel using M24308/26 female screwlocks. For rear mount, use Glenair GK134.



557-200
EMI/RFI Banding Backshell Assembly
for MIL-C-24308 Connectors



NOTES:

1. Metric dimensions (mm) are indicated in parentheses.
2. End fitting may be brazed on per MIL-B-7883B, Type V, Grade B.

557-200 EMI/RFI Banding Backshell Assembly for MIL-C-24308 Connectors



MIL-DTL-24308
D-Subminiature

**TABLE I: CONNECTOR
INTERFACE DIMENSIONS**

Shell Size	A	B	C ±.005 (0.2)
1	1.203 (30.6)	.500 (12.7)	.984 (25.0)
2	1.531 (38.9)	.500 (12.7)	1.312 (33.3)
3	2.078 (52.8)	.500 (12.7)	1.852 (47.0)
4	2.718 (69.0)	.500 (12.7)	2.500 (63.5)
5	2.625 (66.7)	.609 (15.5)	2.406 (61.1)

TABLE II: CABLE ENTRY

Dash No.	F Dia	G Dia
01	.125 (3.2)	.205 (5.2)
02	.187 (4.7)	.267 (6.8)
03	.270 (6.9)	.350 (8.9)
04	.290 (7.4)	.370 (9.4)
05	.312 (7.9)	.392 (10.0)
06	.395 (10.0)	.475 (12.1)
07	.420 (10.7)	.500 (12.7)
08	.500 (12.7)	.580 (14.7)
09	.529 (13.4)	.609 (15.5)

**TABLE III:
FINISH OPTIONS**

Symbol	Finish
B	Cadmium Plate/Olive Drab
C*	Black Anodize
G*	Anodic Hard Coat
J	Gold Iridite over Cadmium Plate over Electroless Nickel
LF	Cadmium Plate/Bright over Electroless Nickel
M	Electroless Nickel
N	Cadmium Plate/Olive Drab over Electroless Nickel
NC	Zinc Cobalt/Dark Olive Drab
NF	Cadmium Plate/Olive Drab over Electroless Nickel
T	Cadmium Plate/Bright over Electroless Nickel
U**	Cadmium Plate/Black
ZN	Zinc-Nickel Alloy/Olive Drab

*Anodize finish is not suitable for EMI shielding or grounding applications.

**Applicable to corrosion resisting steel backshells and accessories. Consult factory for other available finishes.

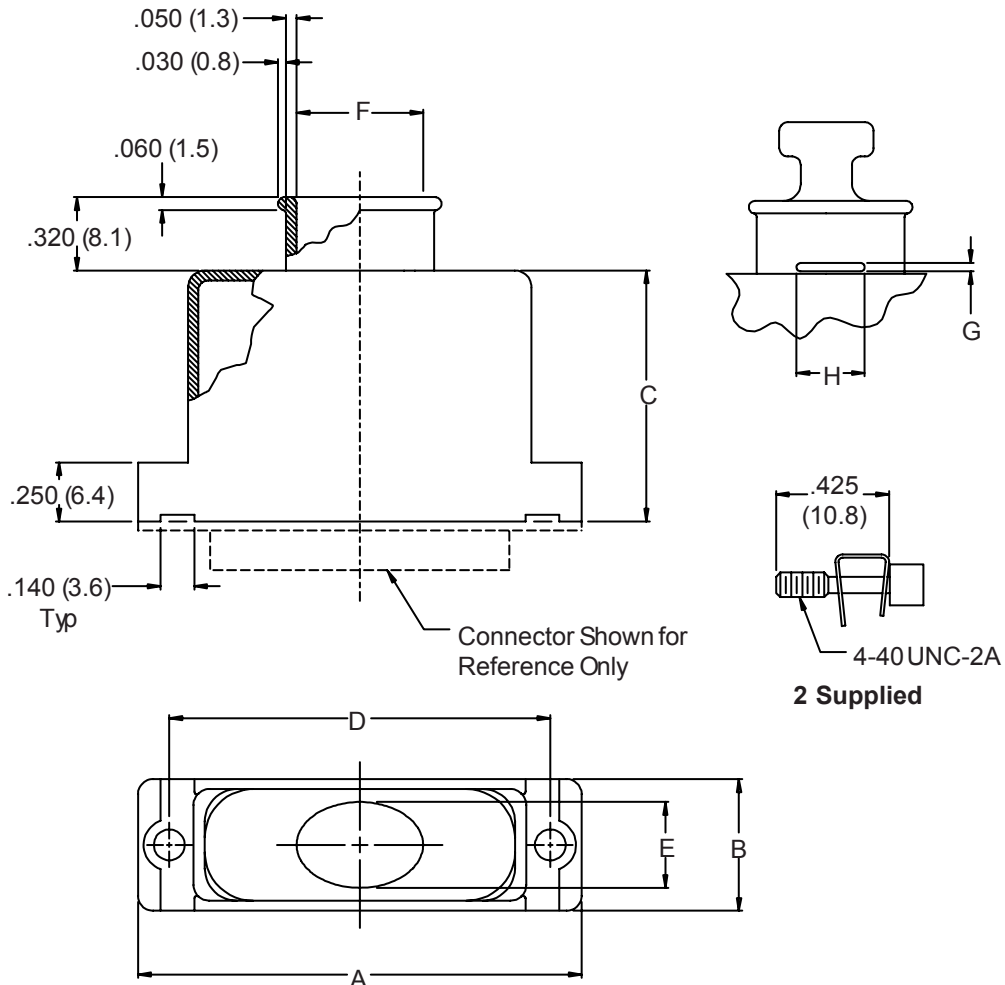
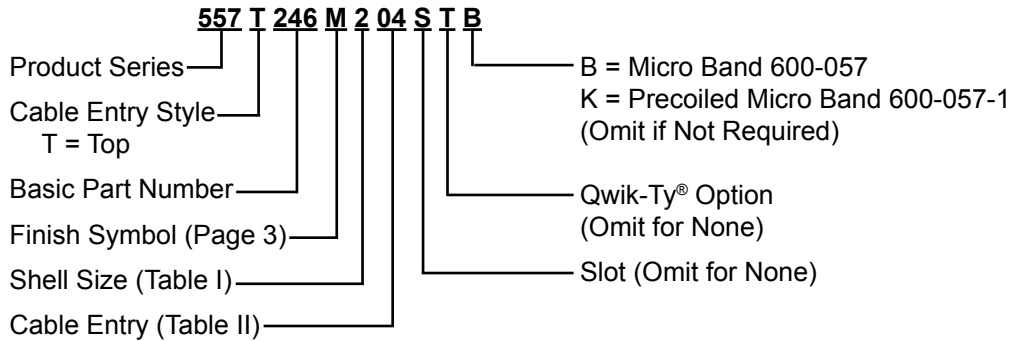
**TABLE IV:
BACKSHELL
HEIGHT**

Dash No.	H Dim
Standard	1.000 (25.4)
1	1.250 (31.8)
2	1.500 (38.1)
3	1.750 (44.5)
4	2.000 (50.8)

Metric dimensions (mm) are indicated in parentheses



557-246
EMI/RFI Banding Backshell Assembly
for MIL-DTL-24308 Connectors
with Optional Qwik-Ty®



Metric Dimensions (mm) are indicated in parentheses.

557-246
EMI/RFI Banding Backshell Assembly
 for MIL-DTL-24308 Connectors
 with Optional Qwik-Ty®



MIL-DTL-24308
 D-Subminiature

TABLE I: SHELL SIZE & CONNECTOR INTERFACE DIMENSIONS

Shell Size	A Max	B	C	D ±.005 (.1)	E Dim	Max Dash No
1	1.250 (31.8)	.530 (13.5)	1.500 (38.1)	.984 (25.0)	.375 (9.5)	05
2	1.580 (40.1)	.530 (13.5)	1.500 (38.1)	1.312 (33.3)	.375 (9.5)	08
3	2.130 (54.1)	.530 (13.5)	1.500 (38.1)	1.852 (47.0)	.375 (9.5)	12
4	2.770 (70.4)	.530 (13.5)	1.500 (38.1)	2.500 (63.5)	.375 (9.5)	16
5	2.680 (68.1)	.660 (16.8)	1.500 (38.1)	2.406 (61.1)	.484 (12.3)	16
6	2.770 (70.4)	.730 (18.5)	1.500 (38.1)	2.500 (63.5)	.554 (14.1)	16

TABLE II: CABLE ENTRY

Entry Size	F Dim	G Dim	G Dim
04	.500 (12.7)	.080 (2.0)	.190 (4.8)
05	.625 (15.9)	.080 (2.0)	.190 (4.8)
06	.750 (19.1)	.080 (2.0)	.220 (5.6)
07	.875 (22.2)	.080 (2.0)	.220 (5.6)
08	1.000 (25.4)	.080 (2.0)	.220 (5.6)
09	1.125 (28.6)	.080 (2.0)	.220 (5.6)
10	1.250 (31.8)	.080 (2.0)	.220 (5.6)
11	1.375 (34.9)	.080 (2.0)	.250 (6.4)
12	1.500 (38.1)	.080 (2.0)	.250 (6.4)
13	1.625 (41.3)	.080 (2.0)	.250 (6.4)
14	1.750 (44.5)	.080 (2.0)	.250 (6.4)
15	1.875 (47.6)	.080 (2.0)	.250 (6.4)
16	2.000 (50.8)	.080 (2.0)	.250 (6.4)

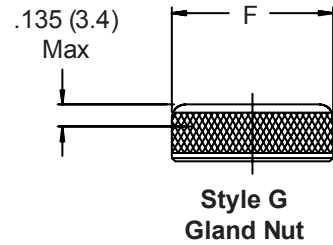
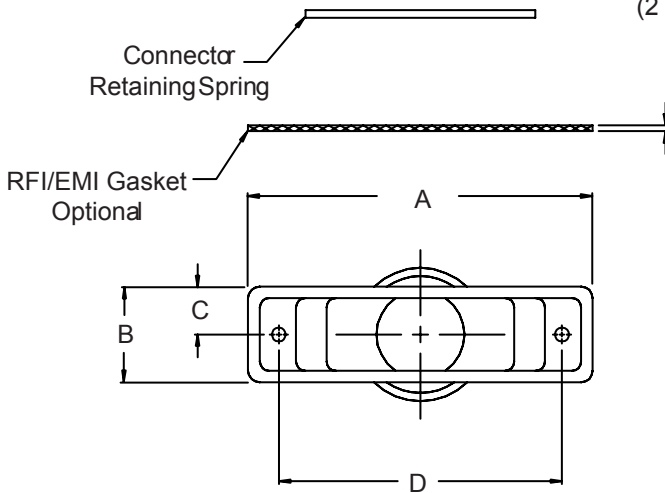
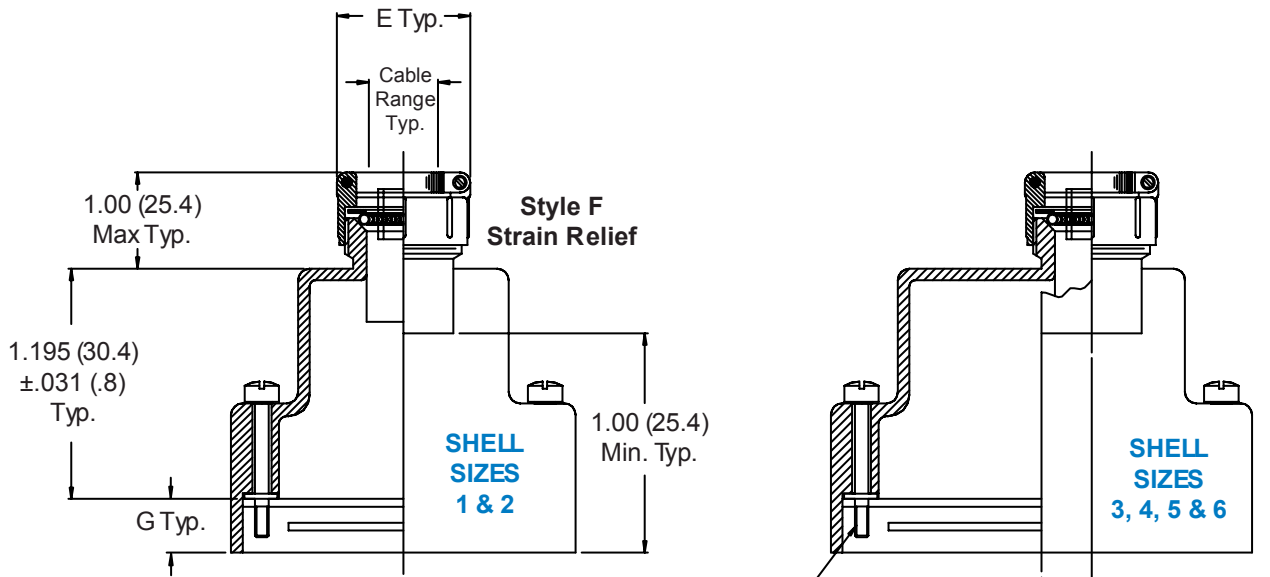
Metric dimensions (mm) are indicated in parentheses.



557-237 D-Subminiature G-Spring Solid Backshell

557 T 237 M 2 F0 B 1 F 02-04

- Basic Part No. ————
- Cable Entry Style ————
T = Top
- Basic Part Number ————
- Finish Symbol (Page 3) ————
- Shell Size (Table I) ————
- Receptacle Mounting (Table III) ————
F0 = Front Mounting
R1-R9 = Rear Mounting
- Inner Support Ring Dash No. (Table IV), N = No Support Ring
- Cable Entry Dash No. (Table II)
- F = Strain Relief
G = Gland Nut
- 0 = Without EMI Gasket,
1 = With EMI Gasket
- Jackscrew Type (Page A-4)



557-237
D-Subminiature G-Spring Solid Backshell



MIL-DTL-24308
D-Subminiature

TABLE I: SHELL SIZE & CONECTOR INTERFACE DIMENSIONS

Shell Size	Com'l Shell Size	A		B		C Ref.		D	
	Ref	Max	(mm)	Max	(mm)		(mm)	±.005	(.1)
1	E/09	1.393	(35.4)	.624	(15.8)	.312	(7.9)	.984	(25.0)
2	A/15	1.706	(43.3)	.624	(15.8)	.312	(7.9)	1.312	(33.3)
3	B/25	2.265	(57.5)	.624	(15.8)	.312	(7.9)	1.852	(47.0)
4	C/37	2.900	(73.7)	.624	(15.8)	.312	(7.9)	2.500	(63.5)
5	D/50	2.800	(71.1)	.750	(19.1)	.375	(9.5)	2.406	(61.1)
6	F/104	2.900	(73.7)	.844	(21.4)	.422	(10.7)	2.500	(63.5)

TABLE II: CABLE ENTRY

Dash No.	E Max	F Max	Cable Range	
			Min	Max
01	.843 (21.4)	.625 (15.9)	.125 (3.2)	.250 (6.4)
02	.968 (24.6)	.750 (19.1)	.156 (4.0)	.375 (9.5)
03	1.046 (26.6)	.875 (22.2)	.250 (6.4)	.438 (11.1)
04	1.156 (29.4)	1.000 (25.4)	.280 (7.1)	.500 (12.7)
05	1.218 (30.9)	1.125 (28.6)	.375 (9.5)	.625 (15.9)
06	1.343 (34.1)	1.250 (31.8)	.500 (12.7)	.750 (19.1)
07	1.468 (37.3)	1.375 (34.9)	.625 (15.9)	.875 (22.2)
08	1.593 (40.5)	1.500 (38.1)	.750 (19.1)	1.000 (25.4)
09	1.718 (43.6)	1.625 (41.3)	.875 (22.2)	1.125 (28.6)
10	1.843 (46.8)	1.750 (44.5)	1.000 (25.4)	1.250 (31.8)

TABLE III: RECEPTACLE MOUNTING

Dash No.	Panel Thickness		G
R1	.031	(.8)	.247 (6.3)
R2	.047	(1.2)	.231 (5.9)
R3	.062	(1.6)	.216 (5.5)
R4	.093	(2.4)	.185 (4.7)
R5	.104	(2.6)	.174 (4.4)
R6	.125	(3.2)	.153 (3.9)
R7	.156	(4.0)	.125 (3.2)
R8	.135	(3.4)	.140 (3.6)
F0	N/A		.305 (7.7)

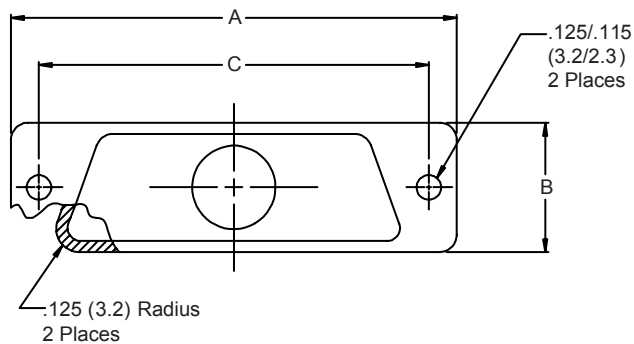
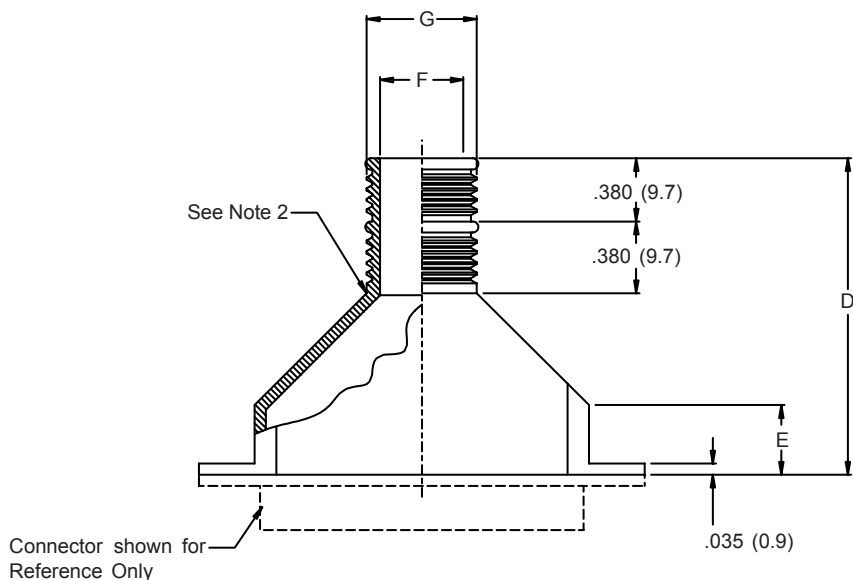
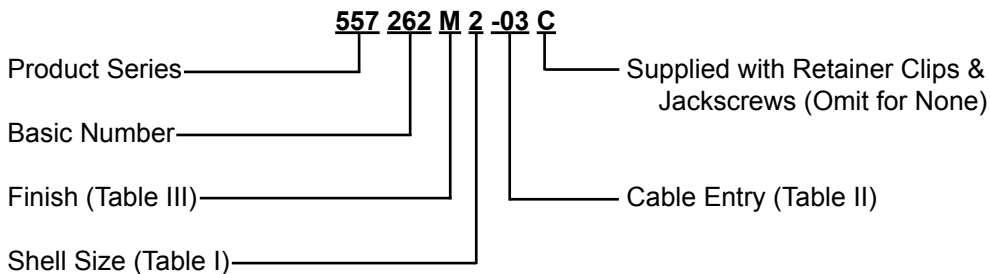
TABLE IV: SUPPORT RING

Dash No.	Support Ring	
	I.D.	O.D.
01	.187 (4.7)	.227 (5.8)
02	.218 (5.5)	.258 (6.6)
03	.250 (6.4)	.290 (7.4)
04	.281 (7.1)	.321 (8.2)
05	.312 (7.9)	.352 (8.9)
06	.343 (8.7)	.383 (9.7)
07	.375 (9.5)	.415 (10.5)
08	.406 (10.3)	.446 (11.3)
09	.438 (11.1)	.478 (12.1)
10	.468 (11.9)	.508 (12.9)
11	.500 (12.7)	.540 (13.7)
12	.531 (13.5)	.571 (14.5)
13	.562 (14.3)	.602 (15.3)
14	.594 (15.1)	.633 (16.1)
15	.625 (15.9)	.665 (16.9)
16	.656 (16.7)	.696 (17.7)
17	.687 (17.4)	.727 (18.5)
18	.719 (18.3)	.758 (19.3)
19	.750 (19.1)	.790 (20.1)
20	.781 (19.8)	.821 (20.9)
21	.812 (20.6)	.852 (21.6)

1. Metric dimensions (mm) are indicated in parentheses.
2. **DO NOT USE CONNECTORS WITH FLOAT MOUNTINGS.**
3. For front mount, mating connector must be mounted to panel using M24308/26 female screwlocks. For rear mount, use Glenair GK134.
4. For proper termination it is recommended that Glenair 469-001 shield support ring be used on all assemblies. Place ring over wire bundle and under shield, position under G-Spring.



557-262 EMI/RFI Banding Backshell Assembly for MIL-C-24308 Connectors



- NOTES:**
1. Metric dimensions (mm) are indicated in parentheses.
 2. End Fitting may be brazed on per MIL-B-7883B, Type V, Grade B.

557-262
EMI/RFI Banding Backshell Assembly
for MIL-C-24308 Connectors



MIL-DTL-24308
D-Subminiature

TABLE I: BACKSHELL & CONNECTOR INTERFACE DIMENSIONS

Shell Size	A	B	C ±.005 (0.1)	D	E	Max Entry Size
1	1.203 (30.6)	.500 (12.7)	.984 (25.0)	1.570 (39.9)	.440 (11.2)	06
2	1.531 (38.9)	.500 (12.7)	1.312 (33.3)	1.650 (41.9)	.440 (11.2)	06
3	2.078 (52.8)	.500 (12.7)	1.852 (47.0)	1.930 (49.0)	.500 (12.7)	06
4	2.718 (69.0)	.500 (12.7)	2.500 (63.5)	2.070 (52.6)	.500 (12.7)	06
5	2.625 (66.7)	.609 (15.5)	2.406 (61.1)	2.050 (52.1)	.440 (11.2)	08

TABLE II: CABLE ENTRY

Entry Size	F	G
01	.125 (3.2)	.205 (5.2)
02	.187 (4.7)	.267 (6.8)
03	.265 (6.7)	.360 (9.1)
04	.312 (7.9)	.392 (10.0)
05	.390 (9.9)	.485 (12.3)
06	.415 (10.5)	.510 (13.0)
07	.500 (12.7)	.580 (14.7)
08	.525 (13.3)	.620 (15.7)

**TABLE III:
FINISH OPTIONS**

Symbol	Finish
B	Cadmium Plate/Olive Drab
C*	Black Anodize
G*	Anodic Hard Coat
J	Gold Iridite over Cadmium Plate over Electroless Nickel
LF	Cadmium Plate/Bright over Electroless Nickel
M	Electroless Nickel
N	Cadmium Plate/Olive Drab over Electroless Nickel
NC	Zinc Cobalt/Dark Olive Drab
NF	Cadmium Plate/Olive Drab over Electroless Nickel
T	Cadmium Plate/Bright over Electroless Nickel
U**	Cadmium Plate/Black
ZN	Zinc-Nickel Alloy/Olive Drab

*Anodize finish is not suitable for EMI shielding or grounding applications.

**Applicable to corrosion resisting steel backshells and accessories. Consult factory for other available finishes.

Metric dimensions (mm) are indicated in parentheses



557-283
D-Subminiature
Lightweight Solid EMI/RFI Banding Backshell

557 T 283 M 3 B-06 B

Basic Part No. _____
 Cable Entry Style _____
 T = Top Entry
 E = End Entry
 S = Side Entry
 Basic Part No. _____
 Finish Symbol (Page 3) _____

B = Band Supplied (600-057), Omit for None
 Entry Size (Table II)
 Jackscrew Style
 A = Male Socket Head Screw With Clip
 B = Male Screw With Clip
 H = Hex Head Jackscrew With Clip
 Shell Size (Table I)

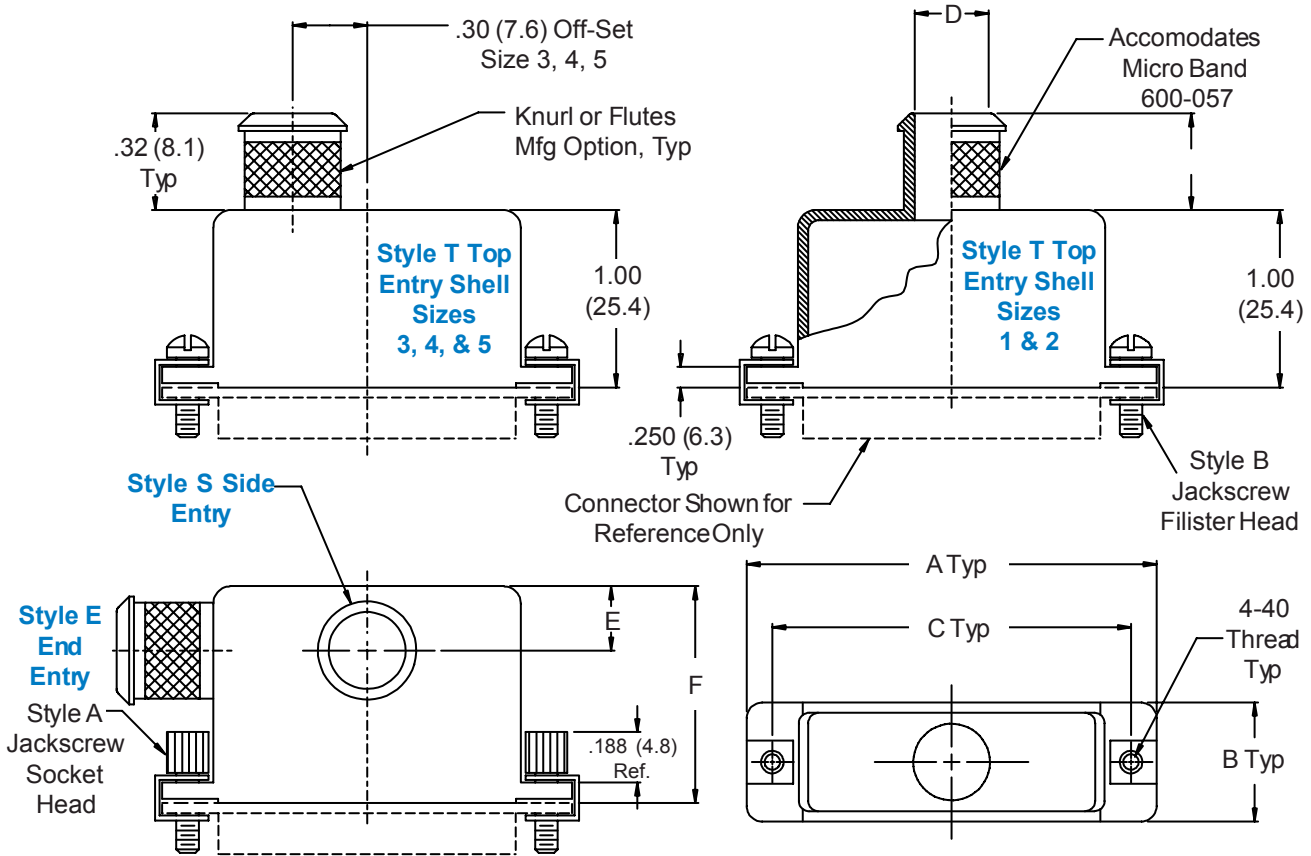


TABLE I: SHELL SIZE & CONNECTOR INTERFACE

Shell Size	A Max	B	C ±.005 (.1)
1	1.25 (31.8)	.530 (13.5)	.984 (25.0)
2	1.58 (40.1)	.530 (13.5)	1.312 (33.3)
3	2.13 (54.1)	.530 (13.5)	1.852 (47.0)
4	2.77 (70.4)	.530 (13.5)	2.500 (63.5)
5	2.68 (68.1)	.660 (16.8)	2.406 (61.1)

TABLE II: CABLE ENTRY & BACKSHELL DIMS

Entry Size	D	E	F
04	.250 (6.4)	.250 (6.4)	1.25 (31.8)
05	.312 (7.9)	.281 (7.1)	1.38 (35.1)
06	.375 (9.5)	.312 (7.9)	1.38 (35.1)
07	.437 (11.1)	.344 (8.7)	1.50 (38.1)
08*	.500 (12.7)	.375 (9.5)	1.50 (38.1)

* Available in shell size 5 only.

Metric dimensions (mm) are indicated in parentheses.



PRODUCT FEATURES

- Top and Side Cable Entry Locations
- Solid and Split Backshell Designs Provide Easy Assembly and Convenient Service and Maintenance Access
- Strain-Relief and EMI Shield Termination Designs
- Qwik-Ty[®], G-Spring and TAG Ring[®] Configurations

Strain-relief, EMC, banding, solid or split-shell; you name it, we've got it for MIL-C-81659 connectors

Many part numbers ready for immediate shipment

Glenair manufactures a full-spectrum line of rectangular backshells for MIL-DTL-81659 connectors. Built from light-weight aluminum alloy and available in a wide range of finishes, our MIL-DTL-81659 backshells provide robust EMI and environmental protection. Solid and split-shell designs are available for cable strain-relief and EMI shield termination.

Top and Side cable entry configurations provide flexibility in contact termination. Selected 81659 backshells, including Qwik-Ty[®], G-Spring and TAG Ring[®] part numbers are available for immediate shipment from Glenair's Same-Day Delivery Program. Check availability instantly on the Internet at www.glenair.com, or call the factory for price and delivery.



500-006 M H R

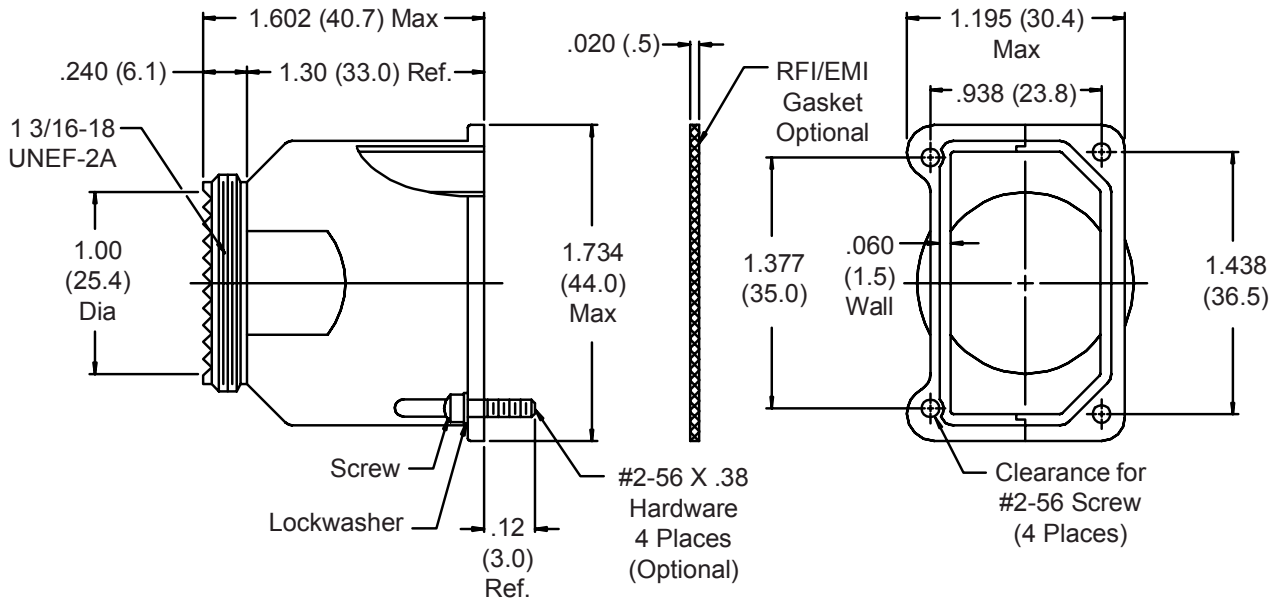
Basic Part No. _____

Finish: _____

B = Cadmium Plate/Olive Drab
 M = Electroless Nickel
 N = Cadmium Plate/Olive Drab over Nickel Plate
 Omit for Cadmium Olive Drab Over
 Electroless Nickel (1000 Hour Salt Spray)

H = Hardware Supplied, Omit for None _____

R = RFI Gasket, Omit for None _____



1. Metric dimensions (mm) are indicated in parentheses.
2. Material/Finish:
 Backshell = Al Alloy/Finish Per Part Number Development
 Hardware = SST/Passivate
 Gasket = Metex/N.A.

500-023 M H

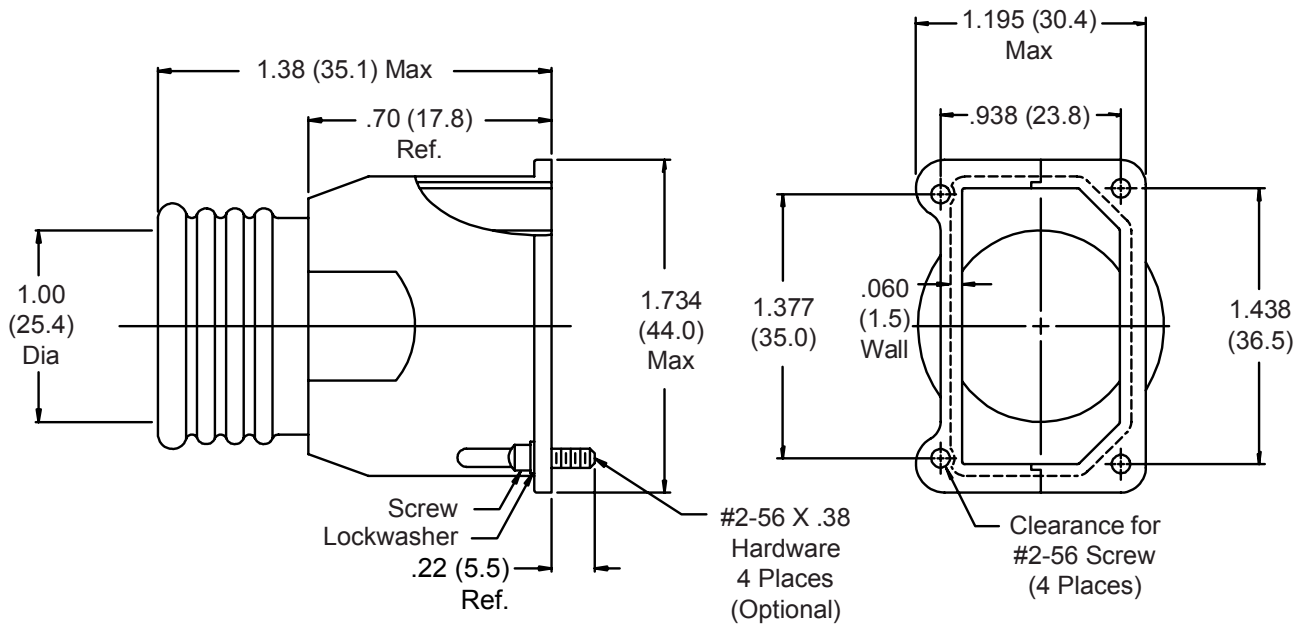
Basic Part No. _____

Finish: _____

B = Cadmium Plate/Olive Drab
M = Electroless Nickel
N = Cadmium Plate/Olive Drab over Nickel Plate
Omit for Cadmium Olive Drab Over
Electroless Nickel (1000 Hour Salt Spray)

H = Hardware Supplied _____

CH = Captivated Hardware
Omit for None



1. Metric dimensions (mm) are indicated in parentheses.
2. Material/Finish:
Backshell = Al Alloy/Finish Per Part Number Development
Hardware = SST/Passivate
Gasket = Metex/N.A.

500-043
Split Backshell for MIL-DTL-38999 Series I & II, S



MIL-DTL-81659

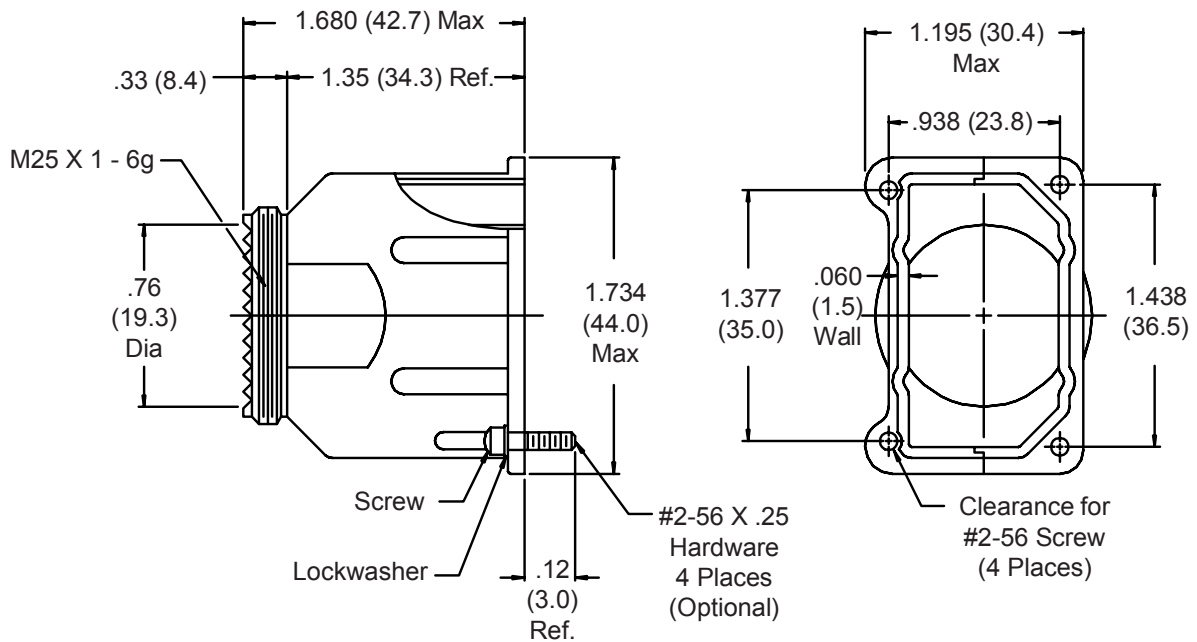
500-043 M H

Basic Part No. _____

Finish: _____

B = Cadmium Plate/Olive Drab
M = Electroless Nickel
N = Cadmium Plate/Olive Drab over Nickel Plate
Omit for Cadmium Olive Drab Over
Electroless Nickel (1000 Hour Salt Spray)

H = Hardware Supplied, Omit for None _____



1. Metric dimensions (mm) are indicated in parentheses.
2. Material/Finish:
Backshell = Al Alloy/Finish Per Part Number Development
Hardware = SST/Passivate

507-001 B

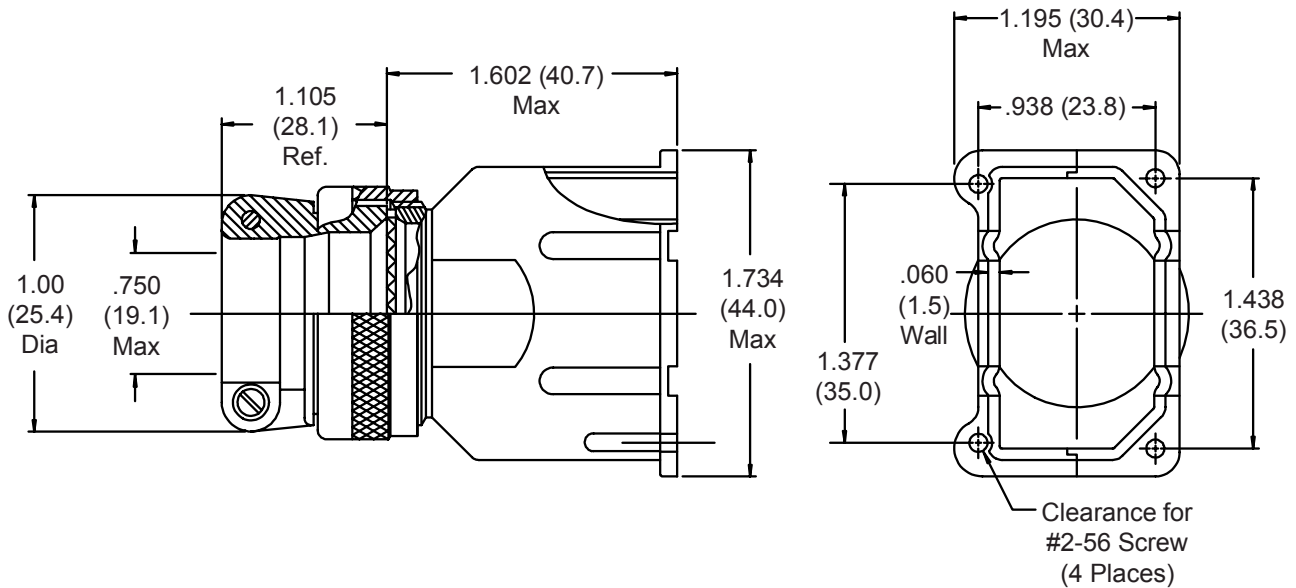
Basic Part No. _____

Finish: _____

B = Cadmium Plate/Olive Drab

M = Electroless Nickel

N = Cadmium Plate/Olive Drab over Nickel Plate

NF = Cadmium Olive Drab over Electroless
Nickel (1000 Hour Salt Spray)

1. Metric dimensions (mm) are indicated in parentheses.

2. Material:

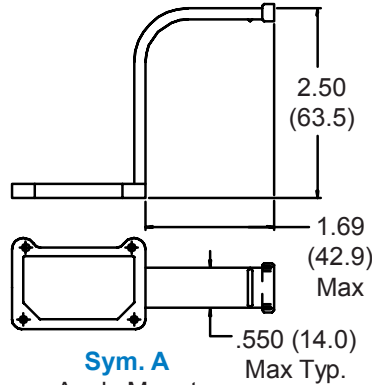
Backshell = Al Alloy/Finish Per Part Number Development

Hardware = SST/Passivate

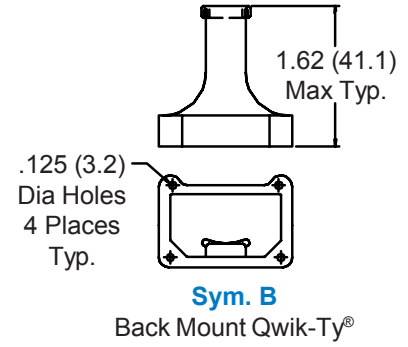
507-002 L H

Basic Part No. _____
 Angular Functions _____
 A = Angle Mount Right
 B = Back Mount
 C = Angle Mount Left
 D = 90° Back Mount
 L = Left Mount
 N = None (Base Only)
 R = Right Mount
 H = Hardware Supplied,
 Omit for None

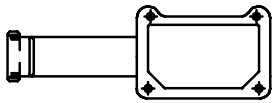
1. Metric dimensions (mm) are indicated in parentheses.
2. Material - Al Alloy
 Finish - Black Anodize
 Hardware = Cres/Passivate



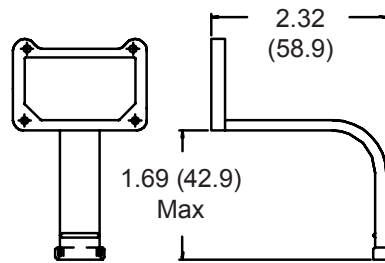
Sym. A
Angle Mount
Qwik-Ty® Right



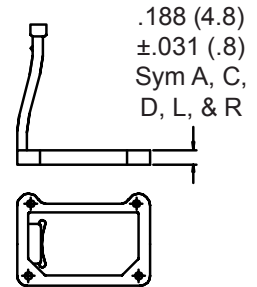
Sym. B
Back Mount Qwik-Ty®



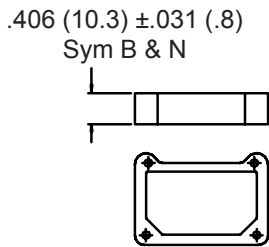
Sym. C
Angle Mount Qwik-Ty®



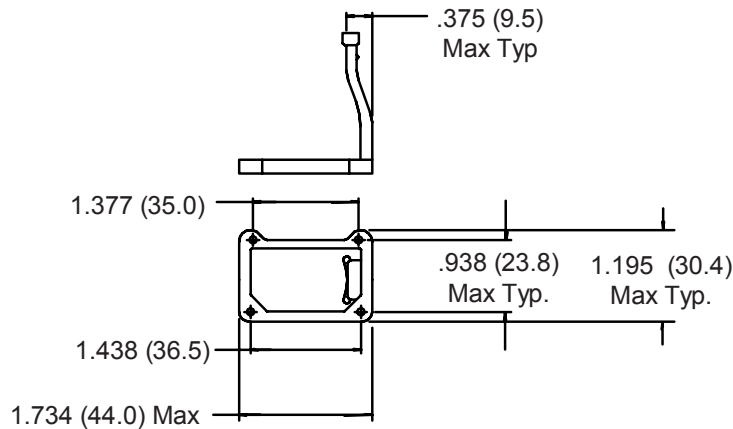
Sym. D
90° Back Mount Qwik-Ty®



Sym. L
Left Mount Qwik-Ty®



Sym. N
Base Only



Sym. R
Right Mount Qwik-Ty®

507-003
EMI/RFI G-Spring Backshell
 for MIL-DTL-81659 Connectors



MIL-DTL-81659

507-003 NF 01 L

Basic Part No. _____
 Finish _____
 B = Cadmium Plate/Olive Drab
 M = Electroless Nickel
 N = Cadmium Plate/Olive Drab over Nickel Plate
 NF = Cadmium Olive Drab over Electroless Nickel (1000 Hour Salt Spray)

Entry Location
 L = Left Side Entry
 R = Right Side Entry
 T = Top Entry

Dash No. (Table I)

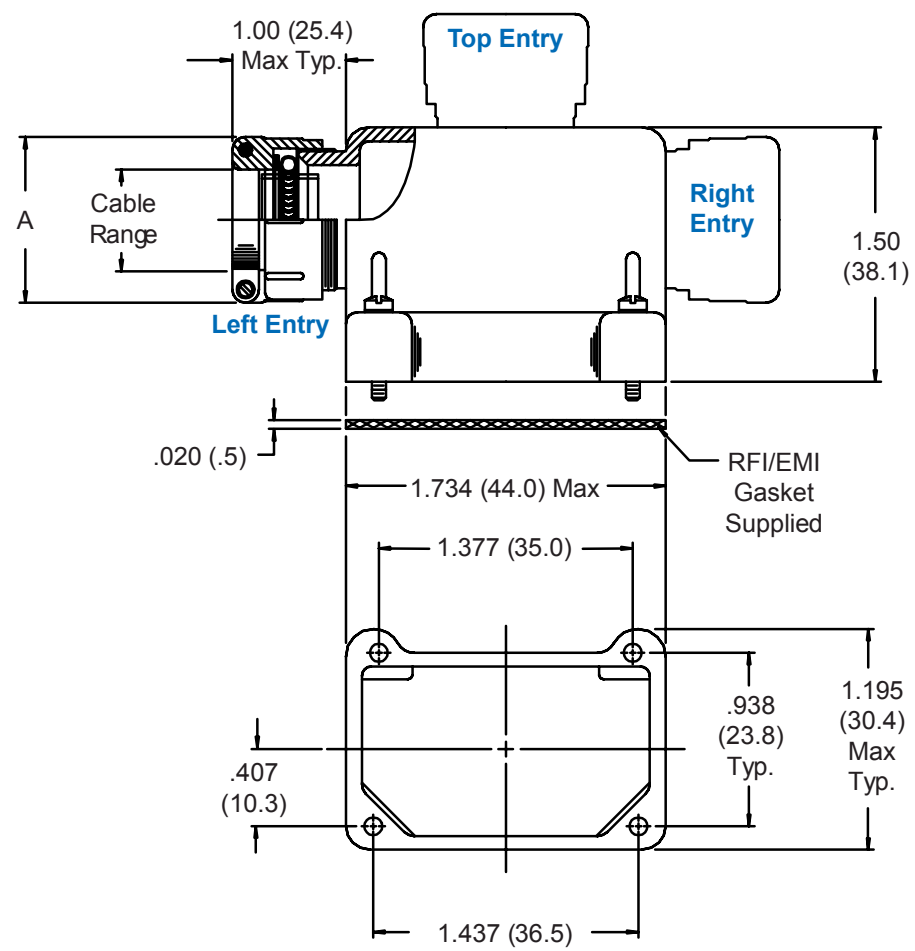


TABLE I: CABLE ENTRY

Dash No.	Cable Range		A Max
	Min	Max	
01	.156 (4.0)	.375 (9.5)	.968 (24.6)
02*	.375 (9.5)	.625 (15.9)	1.218 (30.9)

* Available in Top Entry Only

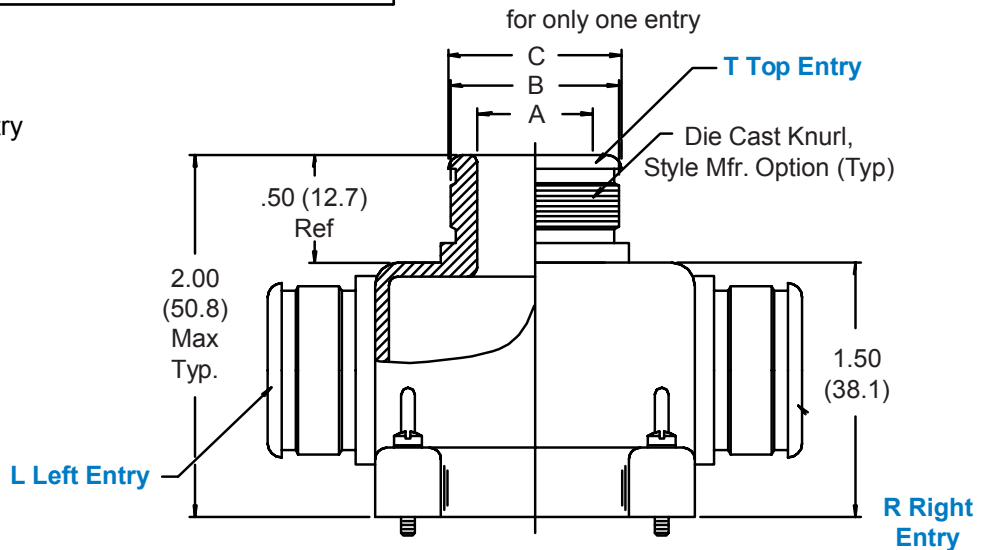
1. Metric dimensions (mm) are indicated in parentheses.
2. For effective grounding, connector with conductive finish should be used.
3. Material/Finish:
 Backshell = Al Alloy/Finish Per Part Number Development
 Hardware = Cres/Passivate
 Friction Washer = Fluoropolymer/N.A.
 Gasket = Metex/N.A.

507-011 NF 02 L 03 R

Basic Part No. _____
 Finish _____
 B = Cadmium Plate/Olive Drab
 M = Electroless Nickel
 N = Cadmium Plate/Olive Drab over Nickel Plate
 NF = Cadmium Olive Drab over Electroless Nickel (1000 Hour Salt Spray)
 Dash No. (Table I) _____
 Entry Location _____
 B = Back Entry
 F = Front Entry
 L = Left Side Entry
 R = Right Side Entry
 T = Top Entry

Entry Location Omit
for only one entry
 B = Back Entry
 F = Front Entry
 L = Left Side Entry
 R = Right Side Entry
 T = Top Entry

Dash No. (Table I) Omit
for only one entry



RFI/EMI Gasket Supplied

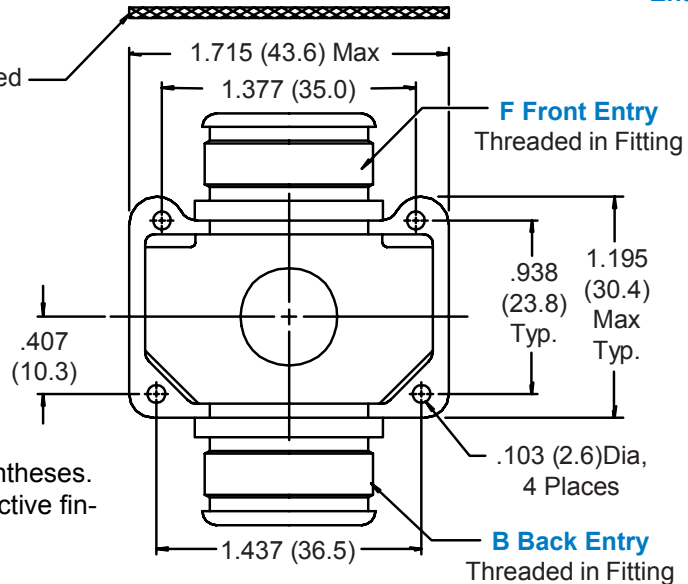


TABLE I: CABLE ENTRY

Dash No.	A Dia Min	B Dia	C Dia Max
01	.250 (6.4)	.375 (9.5)	.425 (10.8)
02	.375 (9.5)	.500 (12.7)	.550 (14.0)
03	.500 (12.7)	.625 (15.9)	.675 (17.1)
04*	.625 (15.9)	.750 (19.1)	.800 (20.3)
05*	.750 (19.1)	.875 (22.2)	.925 (23.5)

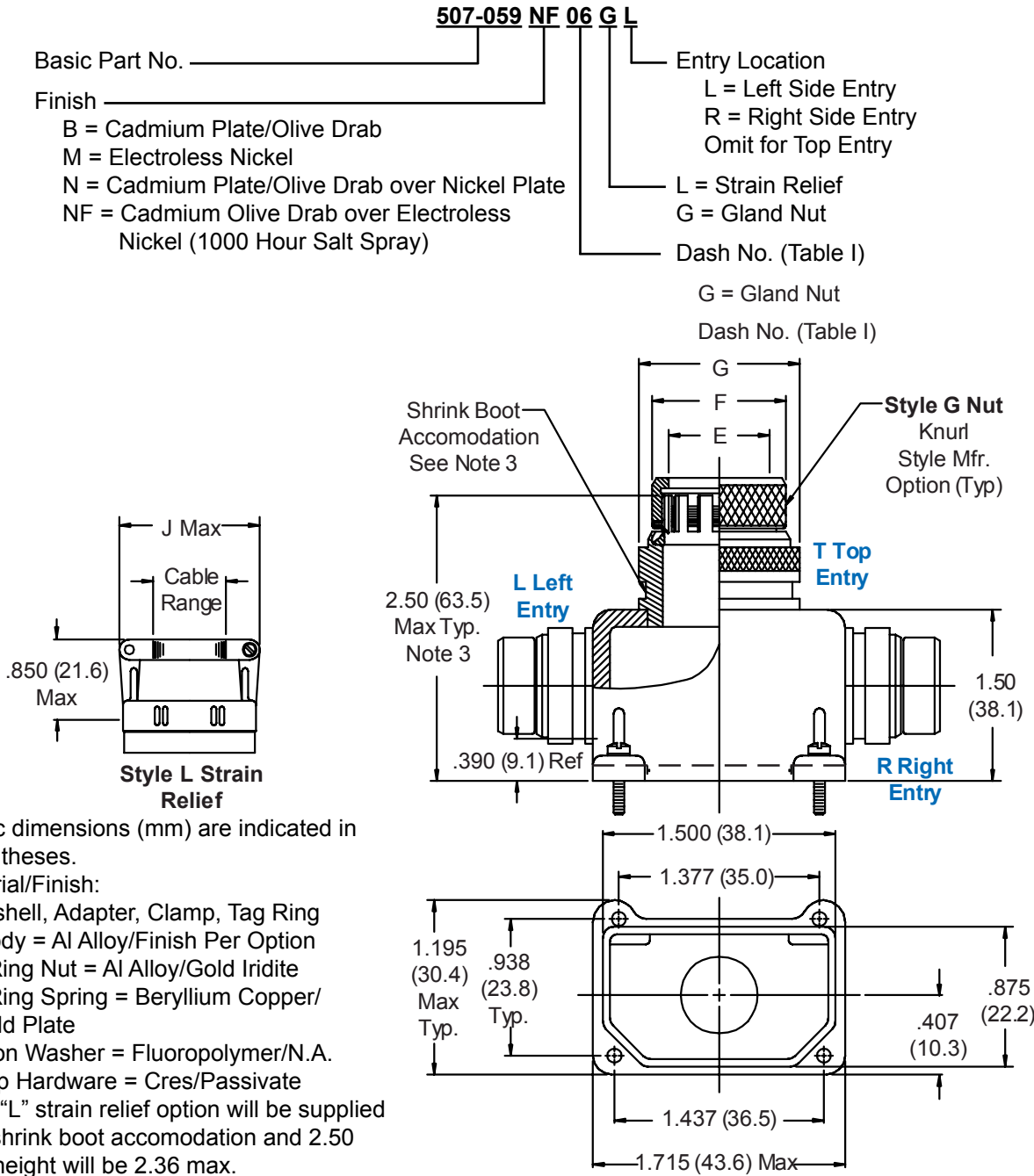
* Not Available in L and R Entries

- Metric dimensions (mm) are indicated in parentheses.
- For effective grounding, connector with conductive finish should be used.
- Material/Finish:
 Backshell = Al Alloy/Finish Per Option
 Hardware = Cres/Passivate
 Gasket = Monel and Neoprene

507-059
EMI/RFI TAG Ring® Backshell
 for MIL-DTL-81659 Connectors



MIL-DTL-81659



1. Metric dimensions (mm) are indicated in parentheses.
2. Material/Finish:
 Backshell, Adapter, Clamp, Tag Ring
 Body = Al Alloy/Finish Per Option
 Tag Ring Nut = Al Alloy/Gold Iridite
 Tag Ring Spring = Beryllium Copper/
 Gold Plate
 Friction Washer = Fluoropolymer/N.A.
 Clamp Hardware = Cres/Passivate
3. Style "L" strain relief option will be supplied less shrink boot accomodation and 2.50 max height will be 2.36 max.

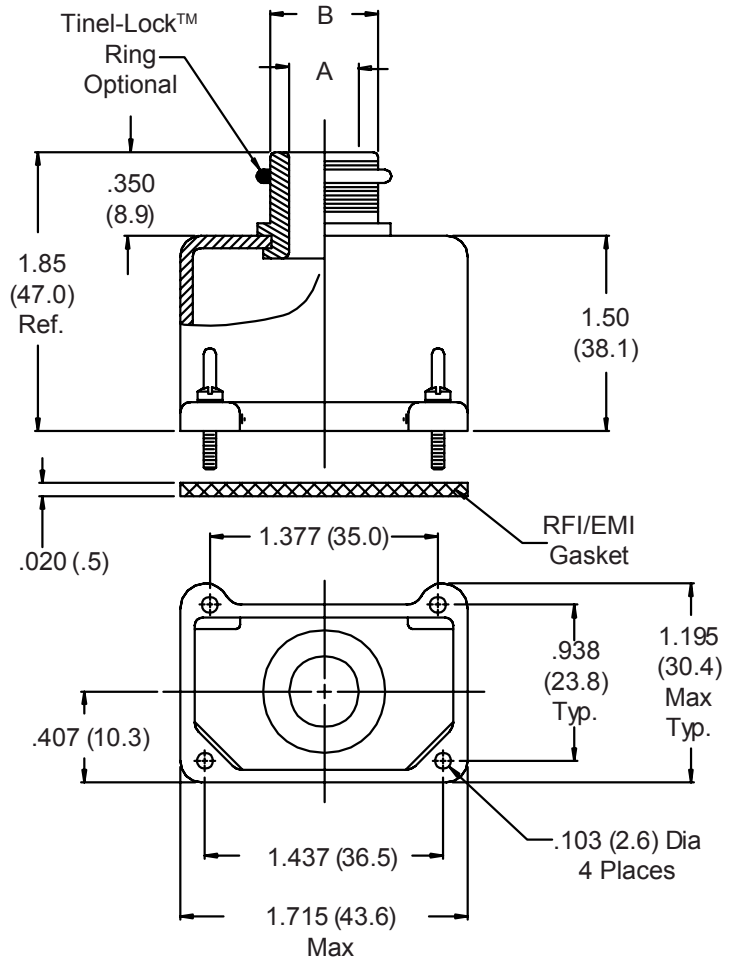
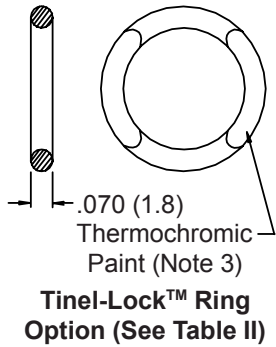
TABLE I: CABLE ENTRY

Dash No	E Entry	F Dia Max	G Dia Max	J Max	Cable Range	
					Min	Max
02	.25 (6.4)	.55 (14.0)	.69 (17.5)	.97 (24.6)	.125 (3.2)	.250 (6.4)
03	.37 (9.4)	.67 (17.0)	.79 (20.1)	1.05 (26.7)	.250 (6.4)	.375 (9.5)
04	.50 (12.7)	.80 (20.3)	.92 (23.4)	1.16 (29.5)	.250 (6.4)	.500 (12.7)
05	.62 (15.7)	.92 (23.4)	1.04 (26.4)	1.22 (31.0)	.375 (9.5)	.625 (15.9)
06	.75 (19.1)	1.05 (26.7)	1.17 (29.7)	1.34 (34.0)	.500 (12.7)	.750 (19.1)

507-108 NF 10 A1

Basic Part No. _____
 Finish _____
 B = Cadmium Plate/Olive Drab
 M = Electroless Nickel
 N = Cadmium Plate/Olive Drab over Nickel Plate
 NF = Cadmium Olive Drab over Electroless Nickel (1000 Hour Salt Spray)

Tinel Lock Ring Supplied (Table II) Omit for None
 Dash No. (Table I)



1. Metric dimensions (mm) are indicated in parentheses.
2. Material/Finish:
Backshell = Al Alloy/Finish Per Option
Gasket = Metex/N.A.
Hardware = Cres/Passivate
3. The Tinel-Lock™ ring designator must be specified according to the type of cable braid used. Tinel-Lock™ rings are marked with thermochromic paint which changes color when the correct installation temperature is reached. BI rings are identified with a red spot. CI rings are identified with a blue spot.
4. For effective grounding, connector with conductive finish should be used.

TABLE II: TINEL RING

Braid Type	Ring Desig.
Single Layer 36 AWG	AI
Single Layer 34 AWG	AI
Single Layer 32 AWG	BI
Single Layer 30 AWG	BI
Double Layer 36 AWG	BI
Double Layer 34 AWG	BI
Double Layer 32 AWG	CI

TABLE I: CABLE ENTRY

Dash No	A		B Dia Max
	+010	(.3)	
04	.250 (6.4)	.375 (9.5)	
05	.312 (7.9)	.437 (11.1)	
06	.375 (9.5)	.500 (12.7)	
07	.437 (11.1)	.562 (14.3)	
08	.500 (12.7)	.625 (15.9)	
10	.650 (16.5)	.750 (19.1)	

507-117 NF

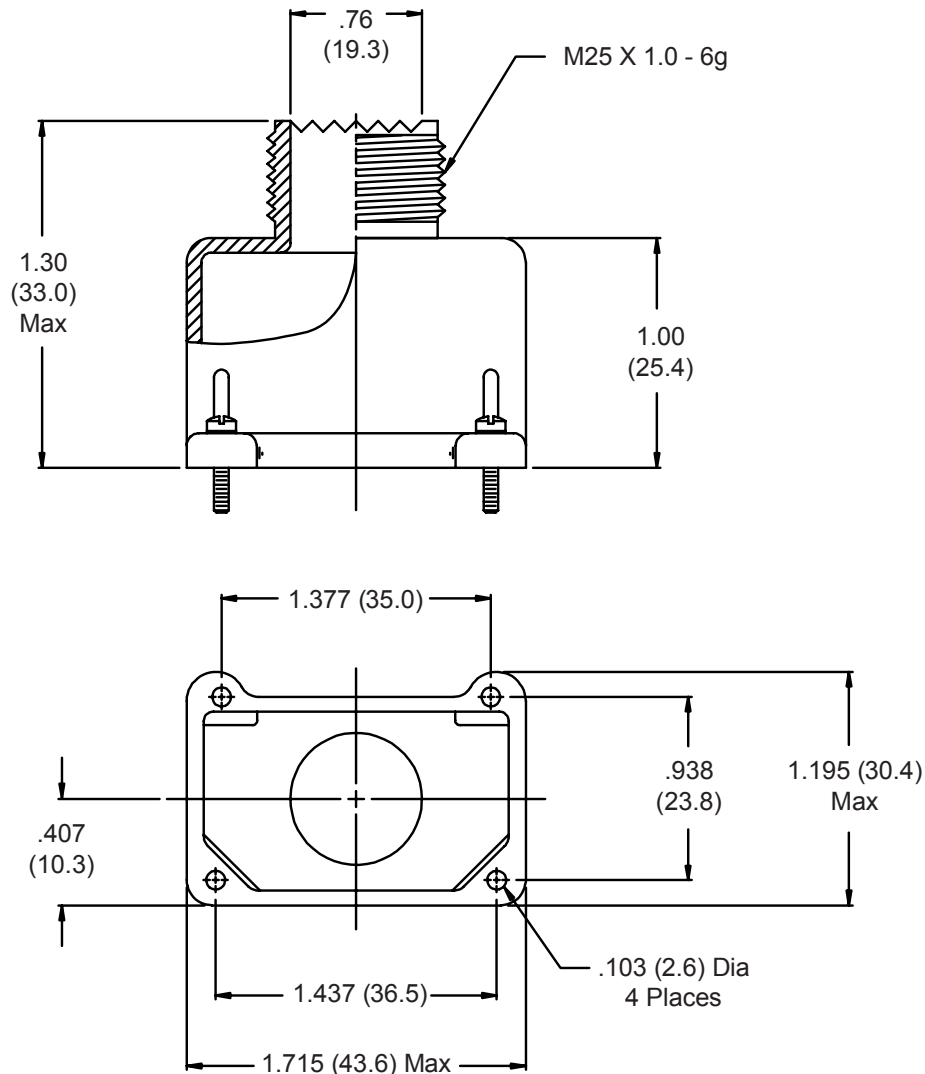
Basic Part No. _____

Finish _____

B = Cadmium Plate/Olive Drab

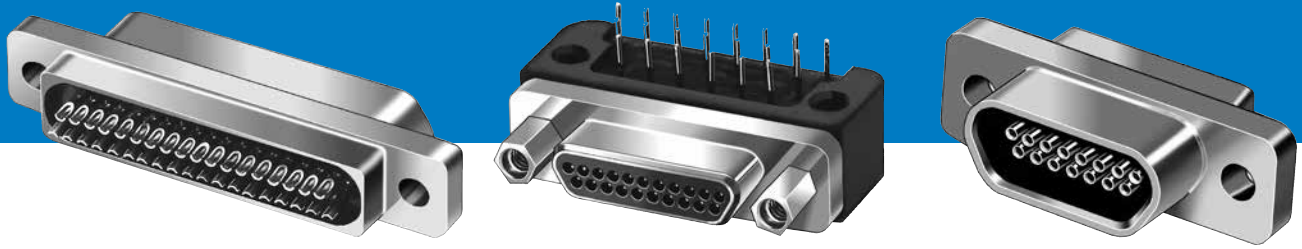
M = Electroless Nickel

N = Cadmium Plate/Olive Drab over Nickel Plate

NF = Cadmium Olive Drab over Electroless
Nickel (1000 Hour Salt Spray)

1. Metric dimensions (mm) are indicated in parentheses.
2. For effective grounding, connector with conductive finish should be used.
3. Material/Finish:
Backshell = Al Alloy/Finish Per Option
Hardware = Cres/Passivate

Six Reasons to Choose Glenair as Your Micro-D Supplier



First and foremost, you need recognized performance standards.

Every element of the MIL-DTL-83513 Micro-D is exactly controlled—from terminal spacing to approved wire termination methods. Standardized measurement and test methodologies ensure consistent, predictable performance throughout this broad family of ruggedized connectors.

Standards are fine, but you also need proven reliability under tough operating conditions.

While standard SCSI-2 connectors with stamped shells and “tuning fork” contacts may be adequate for use in systems where downtime is not a critical concern, they cannot match the long-term durability and performance advantages of the MIL-DTL-83513 Micro-D, which include:

- Higher current ratings
- Lower circuit resistance
- Superior vibration and shock performance
- Optimized EMI/RFI shielding
- Broader operating temperature ranges
- Better resistance to mechanical damage
- Enhanced corrosion resistance
- Better contact retention
- Better environmental sealing

Third, you need the flexibility of easy customization.

The ability to design-in a wide range of custom modifications which fit the unique packaging require-

ments of these specialized applications is a distinct advantage of the Glenair Micro-D—making it the connector of choice for many unique or small quantity applications.

Fourth, you need high temperature tolerance.

Heat from electrical or environmental sources can soften mated contacts over time and reduce contact retention force. But materials selection and advanced fabrication and heat treating techniques enable Glenair’s TwistPin contact to resist high temperature stress relaxation for up to 1000 hours at 125° C and thus perform at levels unmatched by other contact designs.

Fifth, you need trouble-free mating and un-mating.

Glenair has perfected a nickel underplating combined with a proprietary duplex gold overplating which provides optimal contact lubricity (anti-galling) and effectively eliminates the oxidation common to copper flash underplating. Glenair 100 contact Micro-D connectors have been successfully tested to 25,550 mating cycles (test report ER1010) proving the durability of the Glenair plating process.

Finally you need availability.

Glenair has built its reputation on fast turnaround on quotes and custom orders. We also maintain the world’s largest inventory of Micro-D connectors and accessories, all available for immediate same day shipment with no quantity or price minimums.

Glenair: A World of Interconnect Solutions



PRODUCT FEATURES

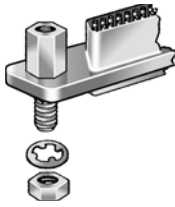
- Single, Dual and Elliptical Cable Entries in Top, Side and 45° Configurations
- Split Backshell Designs Provide Easy Assembly and Convenient Service and Maintenance Access
- Wide Selection of Captivated Jackscrews Available
- Metal and Composite Versions
- Strain Relief and Shorting Cap Backshells Available

The World's Largest Selection of Micro-D Backshells, Many Ready for Same-Day Shipment *Designed for both MIL-DTL-83513 and Glenair COTS Microminature Connector applications*

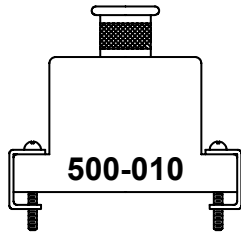
Our comprehensive Micro-D backshell and accessory offerings include mounting hardware, EMI banding shells, switching shells, potting shells, protective covers and connector savers. Glenair Series 500 Backshells provide total enclosure of mated plug and receptacle connectors for optimum electromagnetic interference (EMI Shielding). EMI bands and installation tools are sold separately. Metal and composite backshells are available with a variety of cable/harness shield termination options for both overall shields and/or individual shielded complexes. Glenair Series 500 Micro-D backshell designs offer proven performance in many severe electromagnetic environments.



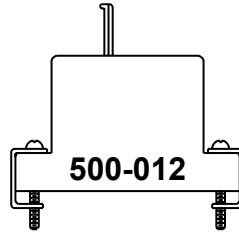
Micro-D Backshells and Accessories Selection Guide



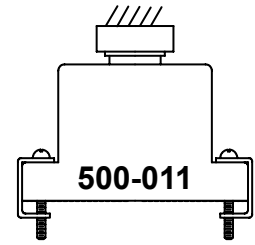
Hardware Kits, Dust Caps,
Interfacial Seals, EMI Gaskets,
and Shorting Plugs
Pages C-4 to C-13



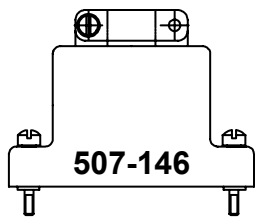
500-010
Standard EMI Backshell
Single Round Entry
Page C-14



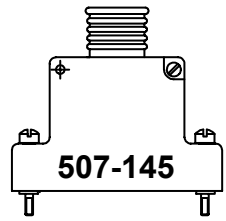
500-012
Strain-Relief
Backshells
Qwik-Ty® Page C-16
Clamp/Gland Nut Style Page C-44



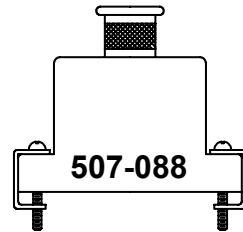
500-011
EMI Backshell
With Shield Sock
Page C-18



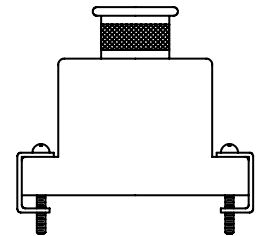
507-146
Solid EMI/RFI
Strain-Relief Backshell
For Use With Jacketed Cable
Page C-21



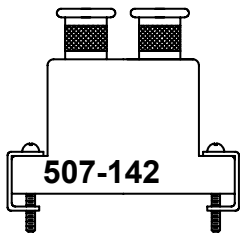
507-145
EMI/RFI Split Banding-
Backshell
Single Round Entry
Page C-20



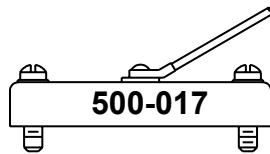
507-088
EMI/RFI Round Entry
Composite Banding Backshell
For Applications Where
Weight is a Priority
Single Round Entry
Page C-22



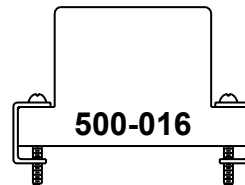
EMI/RFI Banding
Elliptical Entry Backshell
For Large Wire Bundles
Solid Top Entry Page C-24
Split Shell Page C-26
Solid 45° Entry C-36
Solid Side Entry C-38
Two-Piece Screw Lock C-40



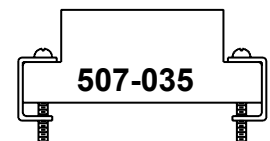
507-142
Dual Entry EMI/RFI
Banding Backshell
Straight Page C-28
45° Page C-14



500-017
Protective Cover
For Micro-D Metal
Shell Connectors
Page C-30



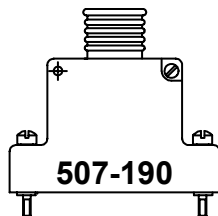
500-016
Shorting Backshell
For Terminators and
Circuit Switching
Page C-32



507-035
Potting Shell
For Backpotting Wires
Page C-33



Solid EMI
Strain Relief Backshell
For Use With Un-Jacketed Wire
Page C-34



507-190
Crimp Ring Backshell
Single Round Entry
Page C-42



"Marshal Bean" Protective
Rubber Covers
Page C-48

*"To Protect
and to Serve"*



Micro-D Backshell Wire Bundle Sizing Chart



MIL-DTL-83513
Micro-D

MAXIMUM DISCRETE WIRE BUNDLE DIAMETERS (See Note 1)

No. of Wires	Wire Gauge	M22759/11		M22759/33	
		Wire Bundle Diameter	Recommended Backshell Cable Entry Code	Wire Bundle Diameter	Recommended Backshell Cable Entry Code
9	#24	.153 (3.9)	06	.132 (3.4)	05
9	#26	.136 (3.5)	05	.115 (2.9)	05
9	#28	.119 (3.0)	05	.098 (2.5)	04
15	#24	.197 (5.0)	08	.171 (4.3)	06
15	#26	.175 (4.4)	07	.149 (3.8)	06
15	#28	.153 (3.9)	06	.127 (3.2)	05
21	#24	.233 (5.9)	09	.202 (5.1)	07
21	#26	.207 (5.3)	08	.176 (4.5)	07
21	#28	.181 (4.6)	07	.150 (3.8)	06
25	#24	.254 (6.5)	*	.220 (5.6)	08
25	#26	.226 (5.7)	09	.192 (4.9)	07
25	#28	.198 (5.0)	08	.164 (4.2)	06
31	#24	.283 (7.2)	*	.245 (6.2)	09
31	#26	.252 (6.4)	09	.214 (5.4)	08
31	#28	.220 (5.6)	08	.182 (4.6)	07
37	#24	.309 (7.9)	*	.268 (6.8)	*
37	#26	.275 (7.0)	*	.234 (5.9)	09
37	#28	.241 (6.1)	09	.199 (5.1)	08
51	#24	.363 (9.2)	*	.315 (8.0)	*
51	#26	.323 (8.2)	*	.274 (7.0)	10
51	#28	.282 (7.2)	*	.234 (5.9)	09
100	#24	.509 (12.9)	*	.441 (11.2)	*
100	#26	.452 (11.5)	*	.384 (9.8)	*
100	#28	.396 (10.1)	*	.328 (8.3)	*

*Glenair recommends elliptical style backshell

NOTES:

1. This sizing chart is for discrete wire bundles of the type and gauge indicated. When using twisted pairs, or other wire types/configurations, refer to Glenair Circular Connector Backshells & Accessories catalog, page 8, "Calculating Wire Bundle Diameter." Glenair recommends 70% area fill (wire bundle area to entry port area), not to exceed 80% area fill on Micro-D Backshells.
2. When solder-cup Micro-D connectors and low-profile backshells (short in height) are used in conjunction, the transition angle from the outer pins to the centralized entry port becomes severe and can increase the susceptibility to damage. Glenair recommends elliptical shaped entries to minimize angles of contact that can occur with round cable entries.
3. Blending and deburring/smoothing of internal geometry may not produce "perfectly" smooth, rounded features, but has a proven history of success in precluding wire abrasion damage. For additional wire protection, wrap wire bundle with Kapton tape in areas that may come into contact with cable entry transitions or other interior angles.
4. Glenair recommends that harness designs avoid excessive fill percentages and severe contact angles as previously described. For applications where these conditions must exist, consult our factory for appropriate additional design / workmanship solutions



Micro-D Backshells and Accessories Standard Materials and Hardware

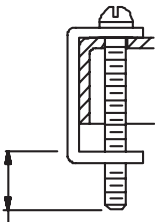
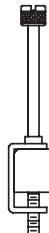
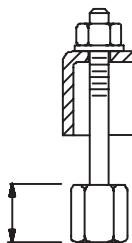
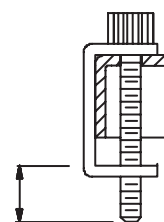
BACKSHELL FINISH OPTIONS

Symbol	Finish	Specification
C	Black Anodize	AMS-A-8625, Type II, Class 2
E	Chem Film	MIL-DTL-5541, Class 3
J	Iridite, Gold Over Cadmium Plate Over Electroless Nickel	MIL-DTL-5541, Class 3 AMS-QQ-P-416, Type II, Class 3 over AMS-C-26074, Class 3 or 4, Grade B AMS-C-26074
M	Electroless Nickel	AMS-QQ-P-416, Type II, Class 3 over Electroless Nickel AMS-C-26074
NF	Cadmium, Olive Drab Over Electroless Nickel	ASTM-B488
Z2	Gold	

STANDARD MATERIALS

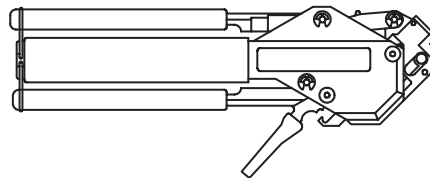
Component	Material
Machined Components	Aluminum Per QQ-A-200, 225 / ASTM B 211, 221
Die-Cast Components	Aluminum Per QQ-A-591 (A380)
Composite Backshells	High Grade Engineering Thermoplastic
Jackscrews, Clips, Bands	Stainless Steel 300 Series Per QQ-S-763, Passivated

SOLID BACKSHELL HARDWARE OPTIONS

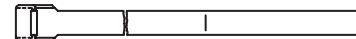
Style "B" Fillister Head Male Jackscrew	Style "E" Extended Jackscrew	Style "F" Female Jackpost	Style "H" Hex (Allen) Head Jackscrew
 <p>Sizes 9-51 - .154 (3.9) Size 100 - .184 (4.7)</p>	 <p>(Not Available With 45° Entry Backshell)</p>	 <p>.188 (4.8)</p>	 <p>Sizes 9-51 - .154 (3.9) Size 100 - .184 (4.7)</p>

EMI BANDING ACCESSORIES

EMI backshells are designed for use with stainless steel shield termination bands. This banding system provides a fast, easy method of attaching cable braided shields to the backshell. See Glennair's *Backshell Assembly Tools, Banding Tools and Accessories Catalog* for complete product information.



Hand Banding Tool
Part Number 600-061



Micro-Band Part Number	Length / Shape
600-057	8.25" / Flat
600-057-1	8.25" / Precoiled
600-083	14.25" / Flat
600-083-1	14.25" / Precoiled

Metric dimensions (mm) are indicated in parentheses.

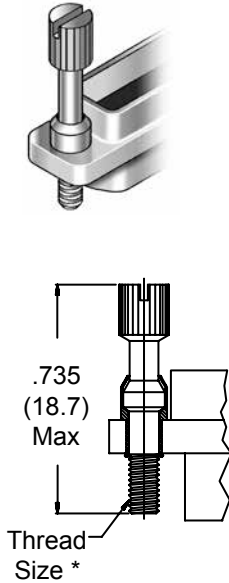
Micro-D Hardware Dimensions and Accessories - Jackpost Kits



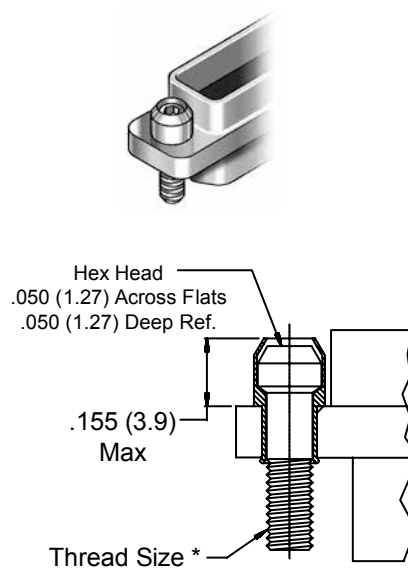
MIL-DTL-83513
Micro-D

FACTORY INSTALLED HARDWARE

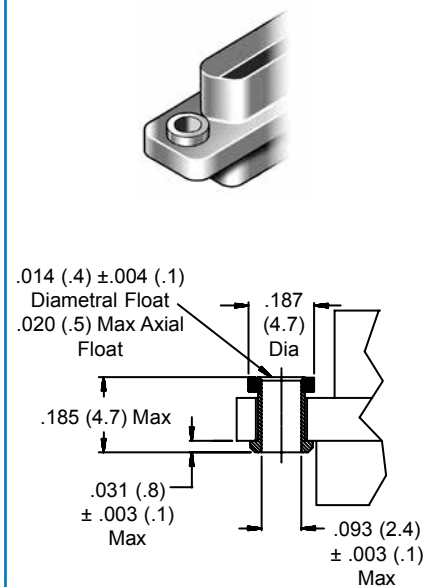
**"K" Style Jackscrew
Non-Removable Slot Head**



**"L" Style Jackscrew
Non-Removable Allen Head**

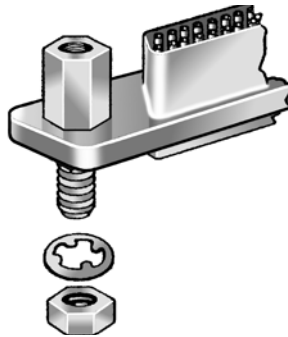


**"F" Style
Float Mount**

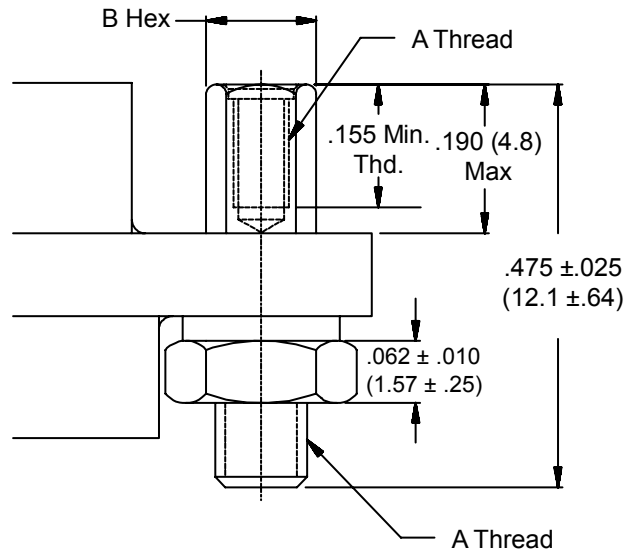


* Thread size for connector sizes 9-51 is #2A-56 UNC, for connector size 100 is #4-40 UNC

"P" STYLE JACKPOST KITS



Material /Finish - Series 300 Stainless Steel/ Passivated per ASTM-A967
(kits consist of two posts, two washers, and two nuts)



Part Number	A Thread Size	B Hex Size	Mil Spec	Application
080-00-00-100	#2-56 UNC	.125 (3.18)	M83513/05-07	Connector sizes 9 through 51
080-00-00-101	#4-40 UNC	.187 (4.75)	M83513/05-17	Connector Size 100

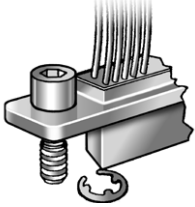
Metric dimensions (mm) are indicated in parentheses.



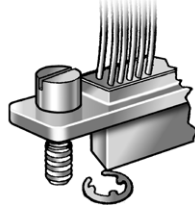
Micro-D Jackscrew Kits

JACKSCREW KITS (Kits consist of two screws and two e-rings)

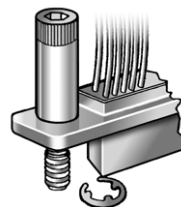
**"M" Style Jackscrew
Low Profile Allen Head**



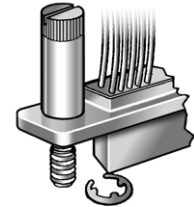
**"S" Style Jackscrew
Low Profile Slot Head**



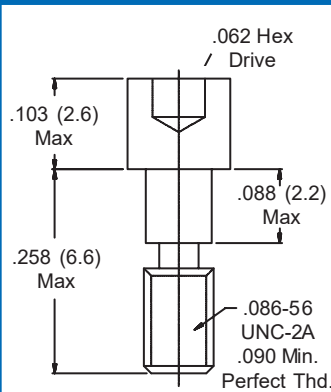
**"M1" Style Jackscrew
High Profile Allen Head**



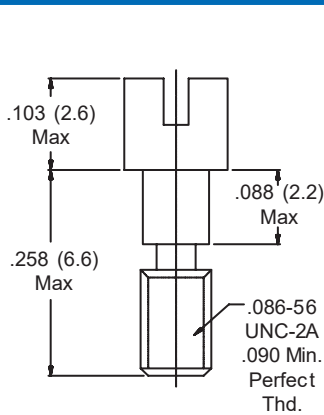
**"S1" Style Jackscrew
High Profile Slot Head**



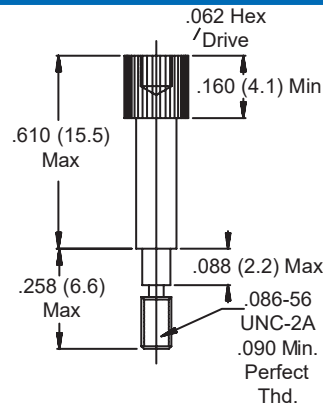
#2-56 FOR 9-51 POSITION CONNECTORS



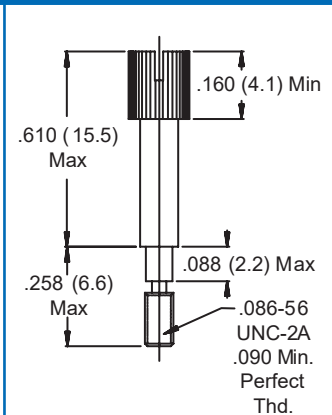
Part Number
080-00-00-502
Mil Spec
M83513/05-02



Part Number
080-00-00-505
Mil Spec
M83513/05-05

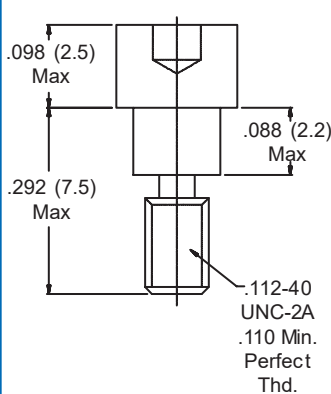


Part Number
080-00-00-503
Mil Spec
M83513/05-03

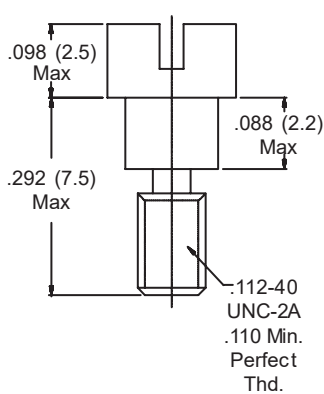


Part Number
080-00-00-506
Mil Spec
M83513/05-06

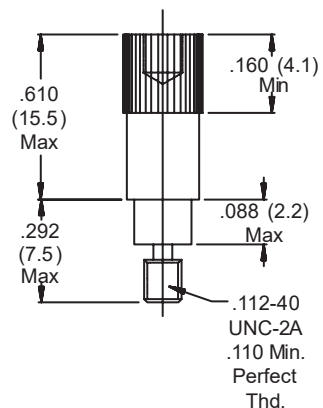
#4-40 FOR 100 POSITION CONNECTORS



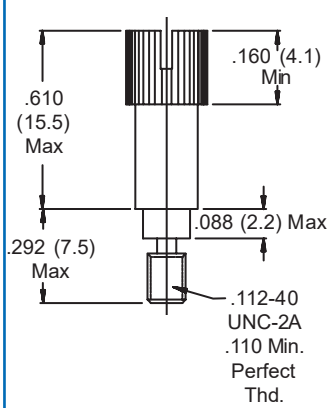
Part Number
080-00-00-512
Mil Spec
M83513/05-12



Part Number
080-00-00-515
Mil Spec
M83513/05-15



Part Number
080-00-00-513
Mil Spec
M83513/05-13



Part Number
080-00-00-516
Mil Spec
M83513/05-16

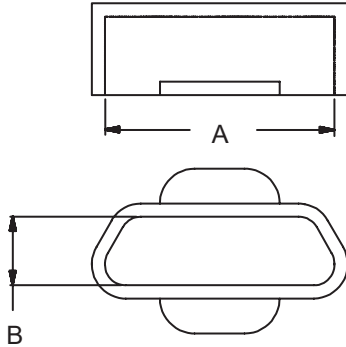
Metric dimensions (mm) are indicated in parentheses.

Micro-D Dust Caps and Interfacial Seals



MIL-DTL-83513
Micro-D

MOLDED PLASTIC DUST CAPS

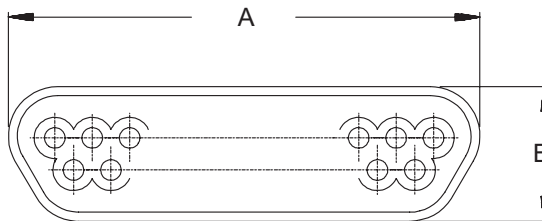


Anti-static Micro-D dust caps are available to fit all sizes of Metal Shell Micro-D connectors. These dust caps are injection-molded from a rugged plastic material that resists cracking and provides protection.

Material: Polypropylene, anti-static, color black.

Layout	Part Number	A Ref.	B Ref.
9P	000-01-09-162	.315 (8.0)	.184 (4.7)
9S	000-01-09-163	.385 (9.8)	.250 (6.4)
15P	000-01-15-162	.465 (11.8)	.184 (4.7)
15S	000-01-15-163	.535 (13.6)	.250 (6.4)
21P	000-01-21-162	.615 (15.6)	.184 (4.7)
21S	000-01-21-163	.685 (17.4)	.250 (6.4)
25P	000-01-25-162	.715 (18.2)	.184 (4.7)
25S	000-01-25-163	.785 (19.9)	.250 (6.4)
31P	000-01-31-162	.865 (22.0)	.184 (4.7)
31S	000-01-31-163	.935 (23.7)	.250 (6.4)
37P	000-01-37-162	1.015 (25.8)	.184 (4.7)
37S	000-01-37-163	1.085 (27.6)	.250 (6.4)
51P	000-01-51-162	.965 (24.5)	.227 (5.8)
51S	000-01-51-163	1.035 (26.3)	.292 (7.4)
100P	000-01-00-162	1.364 (34.6)	.270 (6.9)
100S	000-01-00-163	1.437 (36.5)	.338 (8.6)

MICRO-D INTERFACIAL SEALS FOR MWDM SOCKET CONNECTORS



Micro-D interfacial seals are available for metal shell socket connectors. Intended for use as field replacements for damaged seals, these seals are molded from fluorosilicone elastomer and meet NASA outgassing requirements.

Material: Blue fluorosilicone per ZZ-R-765.

Layout	Part Number	A Ref.	B Ref.
9S	000-01-09-132	.330 (8.4)	.180 (4.6)
15S	000-01-15-132	.480 (12.2)	.180 (4.6)
21S	000-01-21-132	.630 (16.0)	.180 (4.6)
25S	000-01-25-132	.730 (18.5)	.180 (4.6)
31S	000-01-31-132	.880 (22.4)	.180 (4.6)
37S	000-01-37-132	1.030 (26.2)	.180 (4.6)
51S	000-01-51-132	.976 (24.8)	.223 (5.7)
100S	000-01-00-132	1.386 (35.2)	.270 (6.9)

Metric dimensions (mm) are indicated in parentheses.

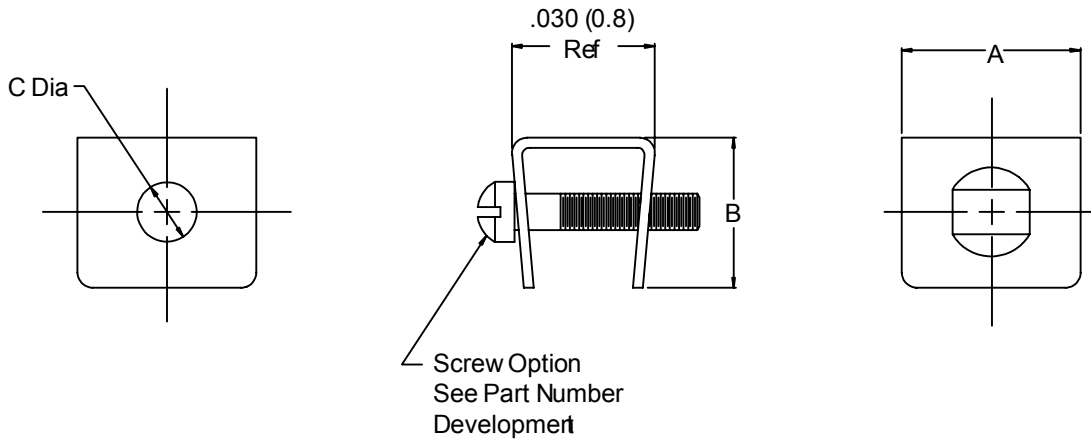


TABLE I: CLIP DIMS

Dash No.	A	B	C Dia
1	.172 (4.4)	.210 (5.3)	.090 (2.3)
2	.250 (6.4)	.320 (8.1)	.120 (3.0)

HOW TO ORDER

Series-Basic Part Number	Shell Size (Table I)	Jackscrew Type* (Table II)	Assembly Less Clip (Jackscrew Only)	Clip Material
500-015	1 – 09-51 2 – 100	S – Fillister H – Socket	L – Assembly Less Clip	1 – Clip: Berillium Copper/Gold Plated Screw: Brass/Gold Plated (Omit for Std. Cres/Passivate)
Sample Part Number:				
500-015	— 1	S	L	— 1

Metric dimensions (mm) are indicated in parentheses

500-052
Micro-D Jackpost Kit
 for Micro-D Rear Mount Connectors



MIL-DTL-83513
 Micro-D

HOW TO ORDER

Series- Basic Part Number	Shell Size (Table I)	Dash No. (Table II)
500-052	2 – 09-51 4 – 100	
Sample Part Number:		
500-052	— 2	— 3
SEE PAGE C-4 FOR STANDARD MATERIALS INFORMATION		

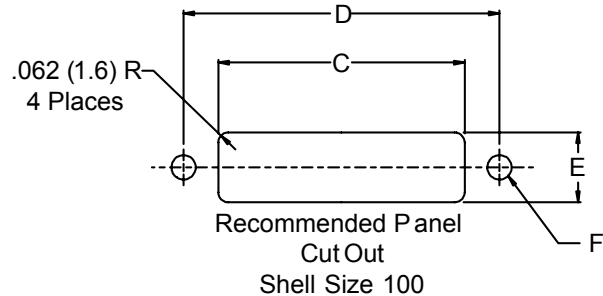
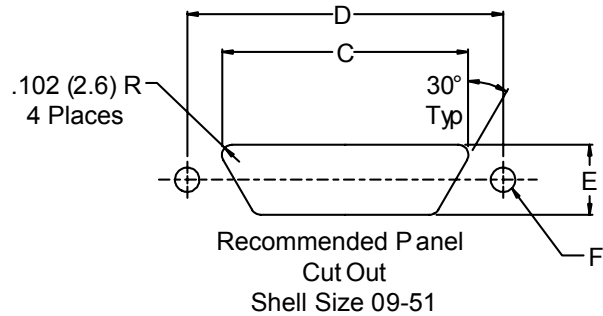
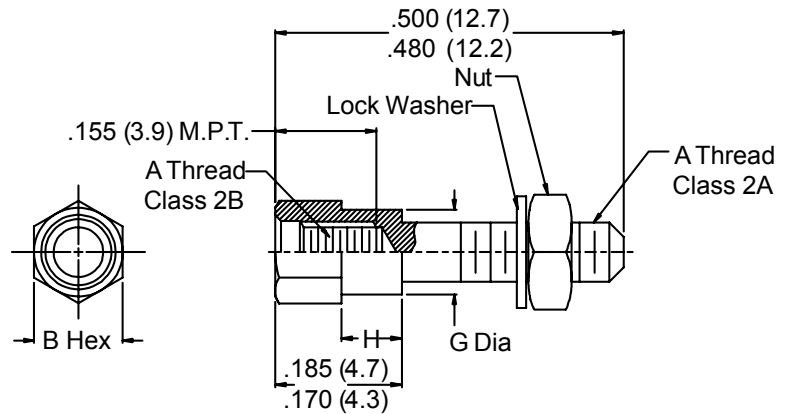


TABLE II: PANEL THICKNESS

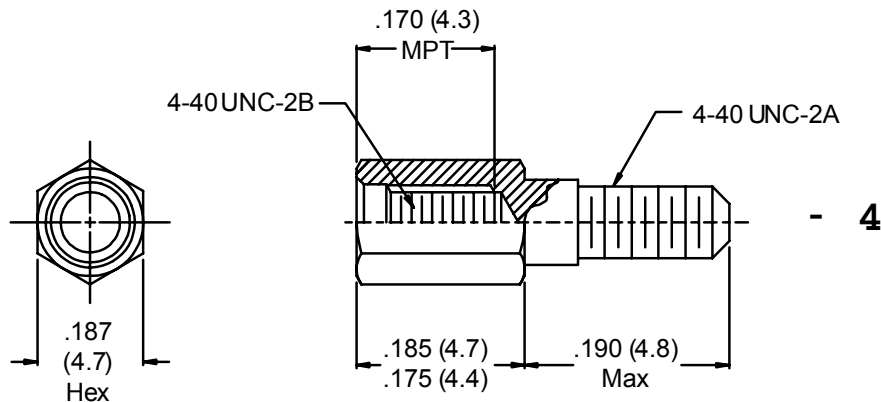
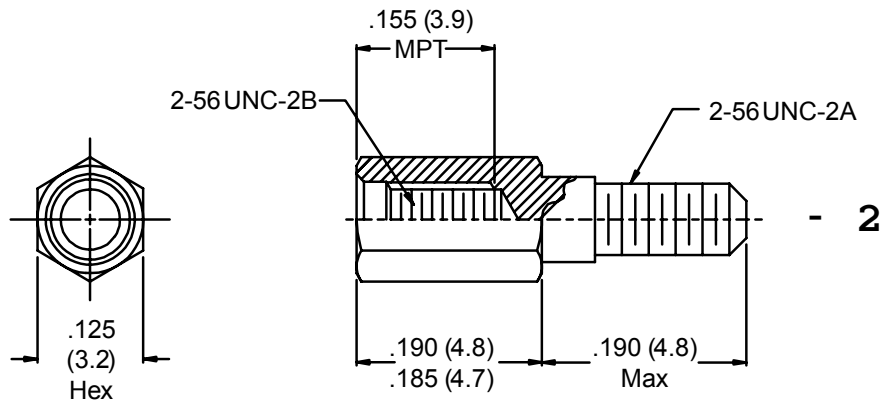
DASH NO	Panel Thickness	H ±.005 (0.1)	Ref. Conn. Designator
2	1/32	.024 (0.6)	R1
3	3/64	.041 (1.0)	R2
4	1/16	.055 (1.4)	R3
5	3/32	.086 (2.2)	R4
6	1/8	.117 (3.0)	R5

TABLE I: DIMENSIONS

SHELL SIZE	SHELL SIZE	A Thread	B Hex Size	C ±.005 (0.1)	D ±.005 (0.1)	E ±.005 (0.1)	F	G ±.003 (0.1)
	09	2-56 UNC	.156 (4.0)	.406 (10.3)	.565 (14.4)	.256 (6.5)	.130/.125 (3.3/3.2)	.119 (3.0)
	15	2-56 UNC	.156 (4.0)	.556 (14.1)	.715 (18.2)	.256 (6.5)	.130/.125 (3.3/3.2)	.119 (3.0)
	21	2-56 UNC	.156 (4.0)	.706 (17.9)	.865 (22.0)	.256 (6.5)	.130/.125 (3.3/3.2)	.119 (3.0)
2	25	2-56 UNC	.156 (4.0)	.806 (20.5)	.965 (24.3)	.256 (6.5)	.130/.125 (3.3/3.2)	.119 (3.0)
	31	2-56 UNC	.156 (4.0)	.956 (24.3)	1.115 (28.3)	.256 (6.5)	.130/.125 (3.3/3.2)	.119 (3.0)
	37	2-56 UNC	.156 (4.0)	1.106 (28.1)	1.265 (32.1)	.256 (6.5)	.130/.125 (3.3/3.2)	.119 (3.0)
	51	2-56 UNC	.156 (4.0)	1.056 (26.8)	1.215 (30.9)	.300 (7.6)	.130/.125 (3.3/3.2)	.119 (3.0)
4	100	4-40 UNC	.187 (4.7)	1.520 (38.6)	1.800 (45.7)	.406 (10.3)	.151/.146 (3.8/3.7)	.140 (3.6)

Metric dimensions (mm) are indicated in parentheses

500-063
Micro-D Jackpost Kit
for Printed Circuit Boards



HOW TO ORDER	
Series-Basic Part Number	Thread Size
500-063	1 - 09-51 #2-56 Thread
	2 - 100 #4-40 Thread
Sample Part Number:	
500-063	- 2
SEE PAGE C-4 FOR STANDARD MATERIALS INFORMATION	

Metric dimensions (mm) are indicated in parentheses

500-074
Micro-D Jackpost Kit
 for Printed Circuit Board Rear Mount Connectors



MIL-DTL-83513
 Micro-D

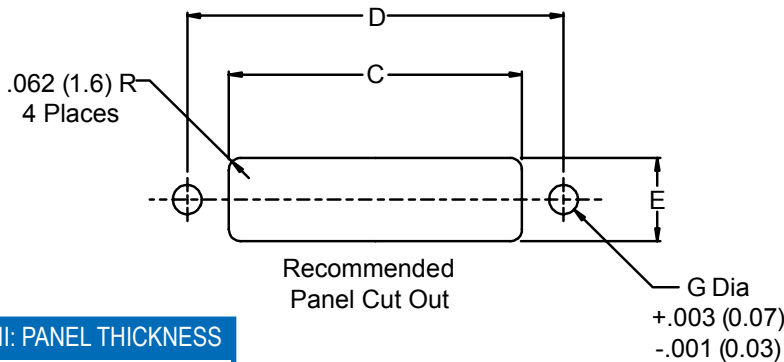
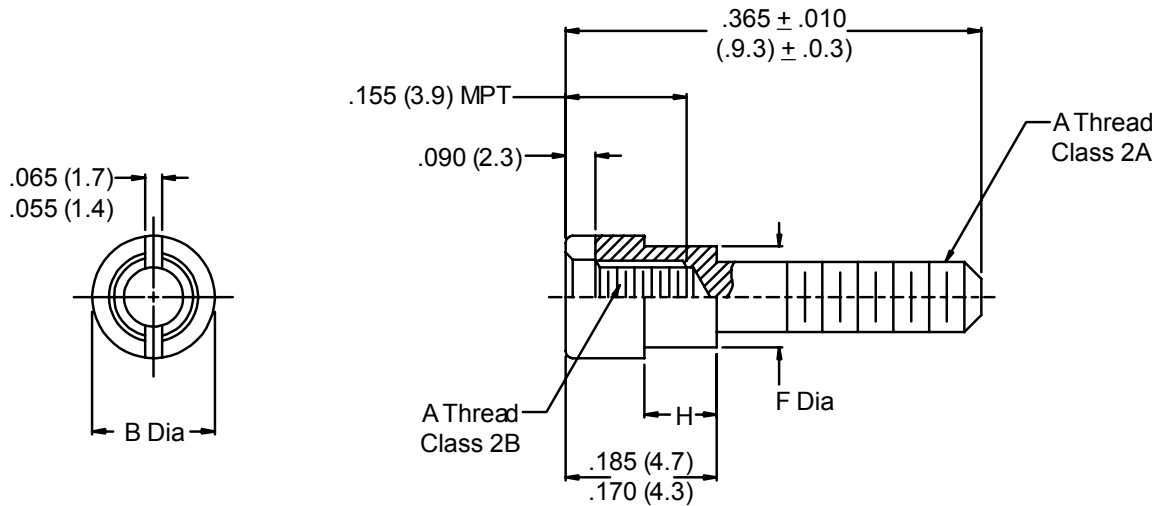


TABLE II: PANEL THICKNESS

DASH NO	Panel Thickness	H $\pm .005 (0.1)$
2	1/32	.024 (0.6)
3	3/64	.041 (1.0)
4	1/16	.055 (1.4)
5	3/32	.086 (2.2)
6	1/8	.117 (3.0)

HOW TO ORDER

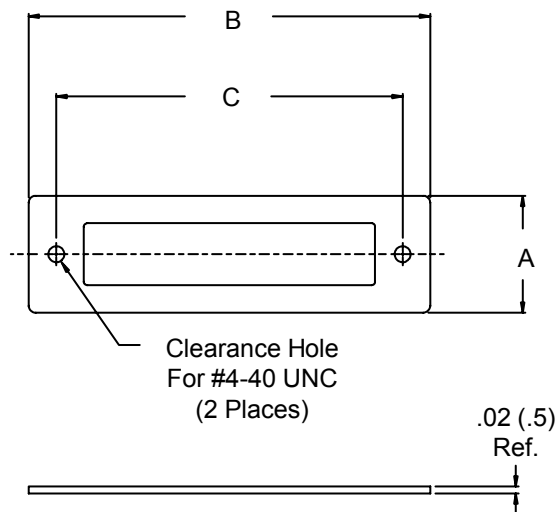
Series-Basic Part Number	Dash No. (Table I)	Dash No. (Table II)
500-074	2 - 09-51 4 - 100	
Sample Part Number:		
500-074	— 2	— 3

SEE PAGE C-4 FOR STANDARD MATERIALS INFORMATION

TABLE I: SHELL SIZE & CONNECTOR INTERFACE DIMENSIONS

Dash No.	Shell Size	A Thread	B	C	D $\pm .005 (0.1)$	E $\pm .005 (0.1)$	F $\pm .003 (0.8)$	G
2	09	2-56 UNC	.156 (4.0)	.406 (10.3)	.565 (14.4)	.256 (6.5)	.119 (3.0)	
	15	2-56 UNC	.156 (4.0)	.556 (14.1)	.715 (18.2)	.256 (6.5)	.119 (3.0)	
	21	2-56 UNC	.156 (4.0)	.706 (17.9)	.865 (22.0)	.256 (6.5)	.119 (3.0)	
	25	2-56 UNC	.156 (4.0)	.806 (20.5)	.956 (24.3)	.256 (6.5)	.119 (3.0)	.125 (3.2)
	31	2-56 UNC	.156 (4.0)	.956 (24.3)	1.115 (28.3)	.256 (6.5)	.119 (3.0)	
	37	2-56 UNC	.156 (4.0)	1.106 (28.1)	1.265 (32.1)	.256 (6.5)	.119 (3.0)	
4	51	2-56 UNC	.156 (4.0)	1.056 (26.8)	1.215 (30.9)	.300 (7.6)	.119 (3.0)	
	100	4-40 UNC	.187 (4.7)	1.520 (38.6)	1.800 (45.7)	.406 (10.3)	.140 (3.6)	.147 (3.7)

Metric dimensions (mm) are indicated in parentheses



HOW TO ORDER

Part Number	Shell Size	A Ref	B Ref	C Ref
559-005-01	9	.46 (11.7)	.90 (22.9)	.565 (14.4)
559-005-02	15	.46 (11.7)	1.05 (26.7)	.715 (18.2)
559-005-03	21	.46 (11.7)	1.20 (30.5)	.865 (22.0)
559-005-04	25	.46 (11.7)	1.30 (33.0)	.965 (24.5)
559-005-05	31	.46 (11.7)	1.48 (37.6)	1.115 (28.3)
559-005-06	37	.46 (11.7)	1.60 (40.6)	1.265 (32.1)
559-005-07	51	.50 (12.7)	1.55 (39.4)	1.215 (30.9)
559-005-08	100	.55 (14.0)	2.29 (58.2)	1.800 (45.7)

MATERIAL: Metalastic

Metric dimensions (mm) are indicated in parentheses.

177-007 Shorting Plug for Micro-D Connectors



MIL-DTL-83513
Micro-D

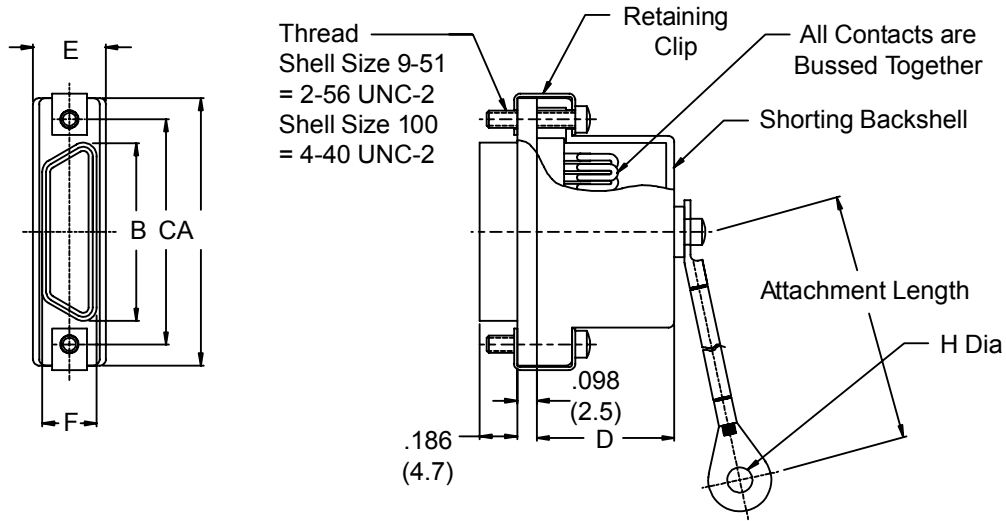


TABLE I: CONNECTOR INTERFACE DIMENSIONS

Shell Size	A	B	C	D ±.003 (0.8)	E	F
9	.775 (19.7)	.333 (8.5)	.565 (14.4)	.320 (8.1)	.360 (9.1)	.185 (4.7)
15	.925 (23.5)	.483 (12.3)	.715 (18.2)	.440 (11.2)	.360 (9.1)	.185 (4.7)
21	1.075 (27.3)	.633 (16.1)	.865 (22.0)	.560 (14.2)	.360 (9.1)	.185 (4.7)
25	1.175 (29.8)	.733 (18.6)	.965 (24.5)	.620 (15.7)	.360 (9.1)	.185 (4.7)
31	1.325 (33.7)	.883 (22.4)	1.115 (28.3)	.680 (17.3)	.360 (9.1)	.185 (4.7)
37	1.475 (37.5)	1.033 (26.2)	1.265 (32.1)	.720 (18.3)	.360 (9.1)	.185 (4.7)
51	1.425 (36.2)	.983 (25.0)	1.215 (30.9)	.750 (19.1)	.400 (10.2)	.228 (5.8)
100	2.160 (54.9)	1.383 (35.1)	1.800 (45.7)	.810 (20.6)	.450 (11.4)	.271 (6.9)

TABLE II: FASTENER

Dash No.	H Dia
01	.140 (3.6)
02	.182 (4.6)
03	.191 (4.9)
04	.197 (5.0)
05	.167 (4.2)
06	.125 (3.2)

HOW TO ORDER

Series- Basic Part Number	Shell Size (Table I)	Contact Type	Shell Plating Table III*	Hardware Options *	Attachment Type	Attach. Length	Attach. Dash No.
177-007	9	P – Pin	1 – Cadmium	B – (2) Male Fillister Head E – (2) Extended Jackscrew H – (2) Male Hex Socket F – (2) Female Jackpost N – No Hardware	F – Wire Rope, Nylon Jacket H – Wire Rope, Teflon Jacket N – None R – Wire Rope, PVC Jacket T – Wire Rope, No Jacket	One Inch Incre- ments	01
	15	S – Socket	2 – Nickel				02
	21		4 – Black Anodize				03
	25		5 – Gold				04
	31		6 – Chem Film				05
	37						06
	51						
100							
Sample Part Number:							
177-007	— 9	P	1	B	H	6	— 02

* SEE PAGE C-4 FOR COMPLETE INFORMATION

Metric dimensions (mm) are indicated in parentheses.



500-010 EMI/RFI Micro-D Banding Backshell Round Cable Entry



Glenair's Most Popular Micro-D Backshell is stocked in all sizes. Choose straight, side or 45° cable entry.

Rugged One-Piece Aluminum shell with stainless steel hardware, available in standard nickel plating, or choose optional finishes.

17-7PH Stainless Steel Clips attach the backshell to the connector. These backshells accept standard and micro BandMaster™ ATS shield termination straps.

Note: It is easy to exceed the maximum allowable wire bundle diameter for the cable entry on these miniaturized backshells. Please see the table on C-3 for assistance, or choose an elliptical backshell entry design instead.

How To Order EMI/RFI Backshells							
Sample Part Number			500T010	M	25	H	08
Series	500T010 - Top Entry 500E010 - 45° Entry	500S010 - Side Entry 500D010 - Dual 45°	(See Table III)				
Shell Finish	A - Cadmium Plate/Bright Dip B - Cadmium Plate/Olive Drab B1 - Cadmium Plate/Olive Drab, Type II Class 1 J - Gold Iridite Over Cadmium; Plate Over Nickel M - Electroless Nickel		N - Cadmium Plate/Olive Drab; Over Nickel NF - Cad/O. D. Over Electroless; Nickel (1000 Hour Salt Spray) T - Cadmium Plate/Bright Dip Over Nickel Z2 - Gold Plate Z1 - Passivate, Stainless; Steel Material				
Shell Size	09, 15, 21, 25, 31, 37, 51, 51-2, 67, 69, 100 (See Table III)						
Hardware Option	B - (2) Fillister Head Jackscrew BJ - (2) Male Fillister Head H - (2) Hex Head Jackscrew HJ - (2) Male Hex E - (2) Extended Jackscrew		EJ - (2) Male Extended (Style T and S Only) F - (2) Jackpost, Female FB - (1) Female Jackpost, (1) Male Filister Head FH - (1) Female Jackpost, (1) Male Hex Socket N - No Hardware				
Cable Entry Code	04 - .125 (3.2) 09 - .281 (7.1)	05 - .156 (4.0) 10 - .312 (7.9)	06 - .188 (4.8) 11 - .344 (8.7)	07 - .219 (5.6) 12 - .375 (9.5)	08 - .250 (6.4) (See Table I)		
EMI Band Strap Option	Omit (Leave Blank) - Band Not Included Use the following codes to order band strap with the connector. For best availability, order band separately.		Standard Band - .250" Wide B - Uncoiled Band Included K - Coiled Band Included Micro Band - .125" Wide M - Uncoiled Band Included L - Coiled Band Included				

Shell Size	Style E	Style D	Style S	Style T
9	08	06	09	08
15	08	08	12	10
21	08	08	12	10
25	08	08	12	10
31	09	09	12	10
37	09	09	12	10
51	10	10	12	10
51-2	09	09	12	10
67	09	09	12	10
69	10	10	12	10
100	12	12	12	12

Cable Size	P ±.015		R Dia. Max	
	In. ±	mm. ±	In.	mm.
04	.125	3.2	.296	7.5
05	.156	4.0	.327	8.3
06	.188	4.8	.359	9.1
07	.219	5.6	.390	9.9
08	.250	6.4	.421	10.7
09	.281	7.1	.452	11.5
10	.312	7.9	.484	12.3
11	.344	8.7	.515	13.1
12	.375	9.5	.546	13.7

Notes

1. Assembly identified with manufacturer's name and P/N
1. 51-2 shell size is for a special 51 position 2 row Micro D connector
2. Knurled or ribbed banding platform - manufactures option
3. EMI gasket mounts between mating connector and panel

Materials/Finish

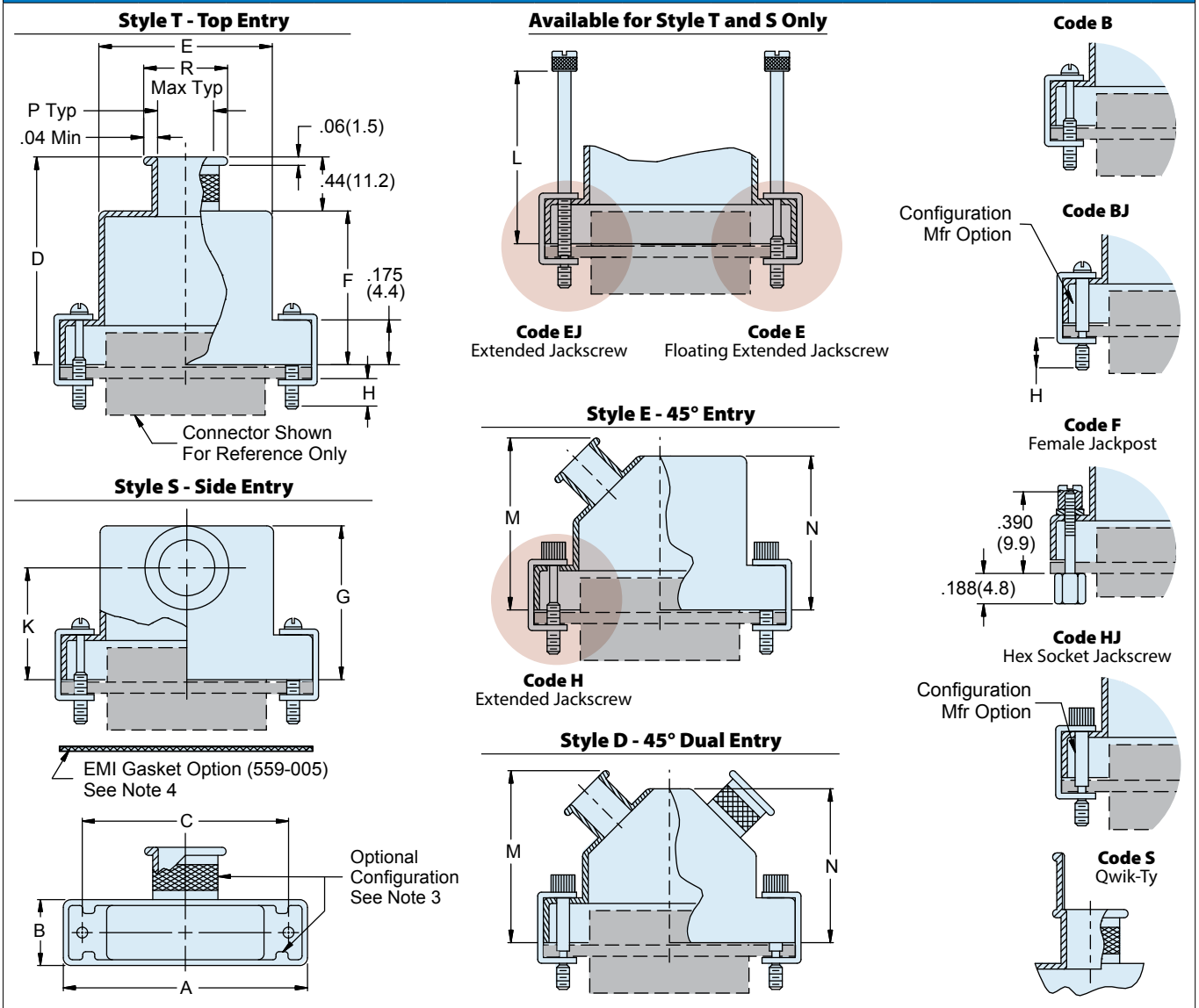
- Shell: Aluminum Alloy 6061 -T6 Per QQ-A-200, QQ-A-225 (Machined Components)
Aluminum Alloy 6061-T6 Per QQ-A-591 (A380) (Die-Cast Components)
- Clips, E-Rings: 17-7PH Stainless Steel
- Jackscrews, Washers, Jackposts: 300 Series Stainless Steel, Passivated

500-010
EMI/RFI Micro-D Banding Backshell
Round Cable Entry



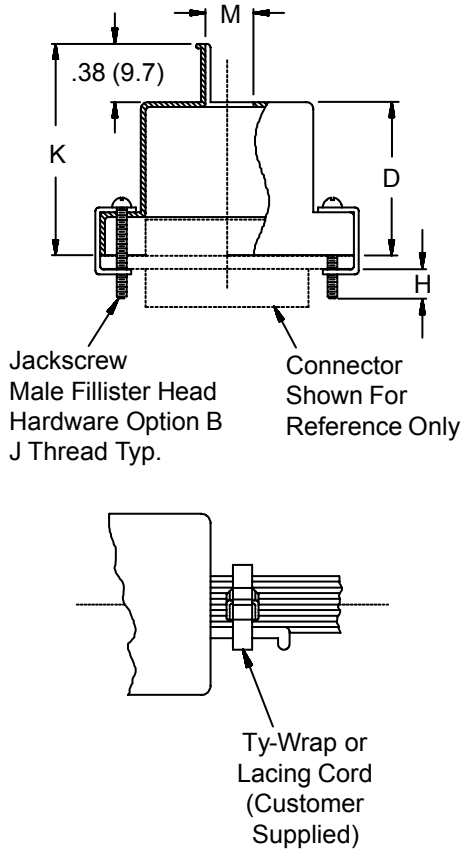
MIL-DTL-83513
 Micro-D

Table III: Dimensions

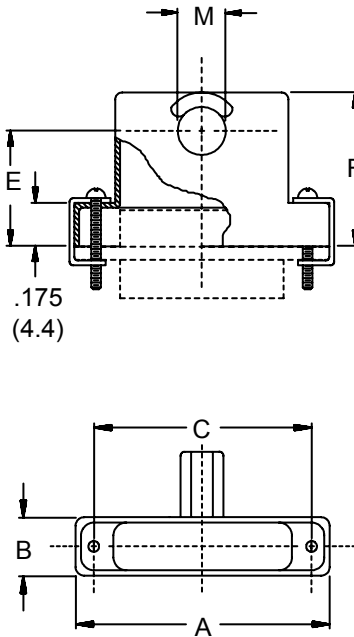


Size	A Max.		B Max.		C		D Max.		E Max.		F Max.		G Max.		H Max.		J Max.		K		L Max.		M Max.		N Max.	
	In.	mm.	In.	mm.	In.	mm.	In.	mm.	In.	mm.	In.	mm.	In.	mm.	In.	mm.	In.	mm.	In.	mm.	In.	mm.	In.	mm.	In.	mm.
09	.850	21.59	.370	9.40	.565	14.35	.780	19.81	.410	10.41	.350	8.89	.637	16.18	.350	8.89	.637	16.18	.435	11.05	1.040	26.42	1.000	25.40	.680	17.27
15	1.000	25.40	.370	9.40	.715	18.16	.910	23.11	.580	14.73	.470	11.94	.673	17.09	.470	11.94	.673	17.09	.440	11.2	1.170	29.72	1.030	26.16	.730	18.54
21	1.150	29.21	.370	9.40	.865	21.97	1.030	26.16	.740	18.80	.590	14.99	.707	17.95	.590	14.99	.707	17.95	.458	11.63	1.290	32.77	1.050	26.67	.765	19.43
25	1.250	31.75	.370	9.40	.965	24.51	1.090	27.69	.850	21.59	.650	16.51	.748	19.00	.650	16.51	.748	19.00	.483	12.27	1.350	34.29	1.090	27.69	.830	21.08
31	1.400	35.56	.370	9.40	1.115	28.32	1.150	29.21	.980	24.89	.710	18.03	.756	19.20	.710	18.03	.756	19.20	.476	12.09	1.420	36.07	1.130	28.70	.890	22.61
37	1.550	39.37	.370	9.40	1.265	32.13	1.190	30.23	1.130	28.70	.750	19.05	.774	19.66	.750	19.05	.774	19.66	.478	12.14	1.450	36.83	1.230	31.24	.955	24.26
51	1.500	38.10	.410	10.41	1.215	30.86	1.220	30.99	1.080	27.43	.780	19.81	.859	21.82	.780	19.81	.859	21.82	.548	13.91	1.480	37.59	1.250	31.75	1.005	25.53
51-2	1.910	48.51	.370	9.40	1.615	41.02	1.220	30.99	1.510	38.35	.780	19.81	.859	21.82	.780	19.81	.859	21.82	.548	13.91	1.480	37.59	1.250	31.75	1.005	25.53
67	2.310	58.67	.370	9.40	2.015	51.18	1.220	30.99	1.880	47.75	.780	19.81	.859	21.82	.780	19.81	.859	21.82	.548	13.91	1.480	37.59	1.250	31.75	1.005	25.53
69	1.810	45.97	.410	10.41	1.515	38.48	1.220	30.99	1.380	35.05	.780	19.81	.859	21.82	.780	19.81	.859	21.82	.548	13.91	1.480	37.59	1.250	31.75	1.005	25.53
100	2.235	56.77	.460	11.68	1.800	45.72	1.280	32.51	1.470	37.34	.840	21.34	1.014	25.76	.840	21.34	1.014	25.76	.687	17.45	1.580	40.13	1.320	33.53	1.080	27.43

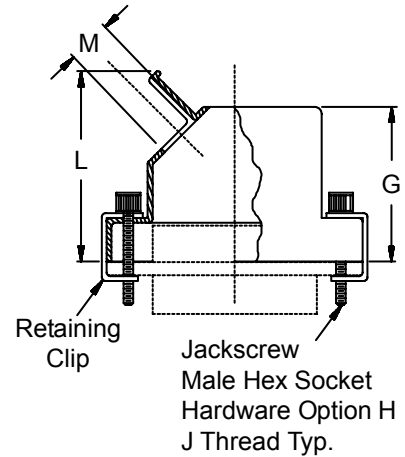
STYLE T - TOP ENTRY



STYLE S - SIDE ENTRY



STYLE E - 45° ENTRY



Metric dimensions (mm) are indicated in parentheses.

HOW TO ORDER

Series	Cable Entry Style	Basic Part Number	Shell Plating *	Shell Size (Table I)	Hardware Options *
500	T – Top S – Side E – 45°	012	C – Black Anodize	09	B – (2) male fillister head E – (2) extended jackscrew H – (2) male hex socket F – (2) female jackpost
			E – Chem. Film	15	
			J – Gold Iridite Over Cadmium Over Electroless Nickel	21	
			M – Electroless Nickel	25	
			NF – Cadmium, Olive Drab Over Electroless Nickel	31	
				37	
			Z2 – Gold	51	
	100				

Sample Part Number:

500 T 012 M 21 B

* SEE PAGE C-4 FOR COMPLETE INFORMATION

Machined aluminum strain relief backshells are intended for applications where shielding is not required.

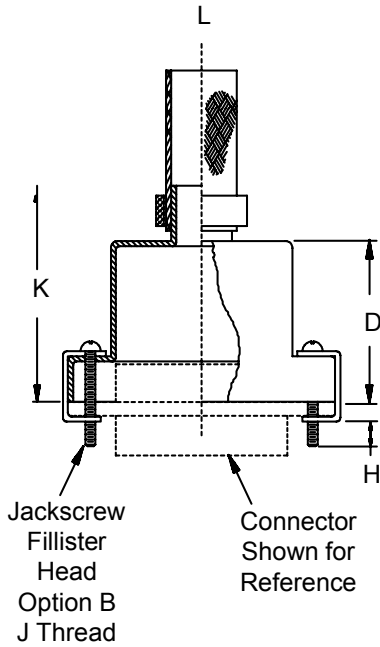
TABLE I: DIMENSIONS

SHELL SIZE	A	B	C	D	E	F
09	.775 (19.7)	.36 (9.1)	.565 (14.4)	.32 (8.1)	.435 (11.0)	.607 (15.4)
15	.925 (23.5)	.36 (9.1)	.715 (18.2)	.44 (11.2)	.440 (11.2)	.643 (16.3)
21	1.075 (27.3)	.36 (9.1)	.865 (22.0)	.56 (14.2)	.458 (11.6)	.677 (17.2)
25	1.175 (29.8)	.36 (9.1)	.965 (24.5)	.62 (15.7)	.483 (12.3)	.718 (18.2)
31	1.325 (33.7)	.36 (9.1)	1.115 (28.3)	.68 (17.3)	.476 (12.1)	.726 (18.4)
37	1.475 (37.5)	.36 (9.1)	1.265 (32.1)	.72 (18.3)	.478 (12.2)	.744 (18.9)
51	1.425 (36.2)	.40 (10.2)	1.215 (30.9)	.75 (19.1)	.548 (13.9)	.829 (21.1)
100	2.160 (54.9)	.45 (11.4)	1.800 (45.7)	.81 (20.6)	.687 (17.4)	.984 (25.0)

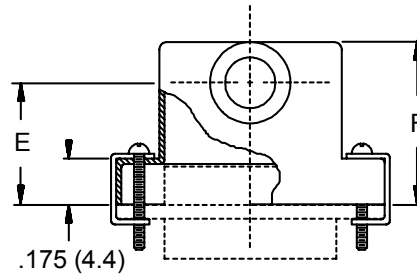
SHELL SIZE	G	H REF	J THREAD	K ±.03 (0.8)	L MAX	M Dia ±.005 (0.1)
09	.650 (16.5)	.154 (3.9)	2-56 UNC-2	.70 (17.8)	.90 (22.9)	.156 (4.0)
15	.700 (17.8)	.154 (3.9)	2-56 UNC-2	.82 (20.8)	.96 (24.4)	.188 (4.8)
21	.735 (18.7)	.154 (3.9)	2-56 UNC-2	.94 (23.9)	.99 (25.1)	.219 (5.6)
25	.800 (20.3)	.154 (3.9)	2-56 UNC-2	1.00 (25.4)	1.05 (26.7)	.250 (6.4)
31	.860 (21.8)	.154 (3.9)	2-56 UNC-2	1.06 (26.9)	1.08 (27.4)	.265 (6.7)
37	.925 (23.5)	.154 (3.9)	2-56 UNC-2	1.10 (27.9)	1.12 (28.9)	.281 (7.1)
51	.975 (24.8)	.154 (3.9)	2-56 UNC-2	1.13 (28.7)	1.21 (30.7)	.312 (7.9)
100	1.050 (26.7)	.184 (4.7)	4-40 UNC-2	1.19 (30.2)	1.28 (32.5)	.375 (9.5)

Metric dimensions (mm) are indicated in parentheses.

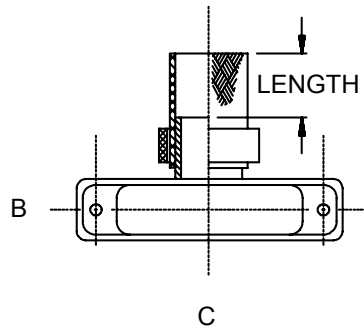
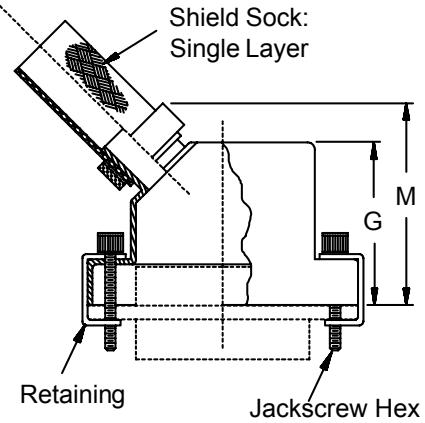
STYLE T - TOP ENTRY



STYLE S - SIDE ENTRY



STYLE E - 45° ENTRY



Metric dimensions (mm) are indicated in parentheses.

HOW TO ORDER

Series	Cable Entry Style	Basic Part Number	Shell* Plating	Shell Size (Table I)	Hardware Options *	Cable Entry (Table II)	Shield Sock Length
500	T – Top S – Side E – 45°	011	C – Black Anodize	9	B – (2) Male Fillister Head Jackscrews	04	Length in 1 inch increments (e.g. 6 = 6 inches)
			E – Chem. Film	15	H – (2) Male Hex Socket	05	
			J – Gold Iridite Over Cadmium Over Electroless Nickel	21	F – (2) Female Jackpost	06	
			M – Electroless Nickel	25	FB – (1) Female Jackpost And (1) Male Jackpost	07	
			NF – Cadmium, Olive Drab Over Electroless Nickel	31	FH – (1) Female Jackpost and (1) Male Hex Socket	08	
			Z2 – Gold	37		09	
				51		10	
				100		11	
						12	

Sample Part Number:

500 T 011 M 21 B 06 — 6

* SEE PAGE C-4 FOR COMPLETE INFORMATION

500-011
EMI/RFI Micro-D Backshell
with Shield Sock



MIL-DTL-83513
 Micro-D

TABLE I: DIMENSIONS

Shell Size	A	B	C	D	E	F
09	.775 (19.7)	.36 (9.1)	.565 (14.4)	.32 (8.1)	.435 (11.0)	.607 (15.4)
15	.925 (23.5)	.36 (9.1)	.715 (18.2)	.44 (11.2)	.440 (11.2)	.643 (16.3)
21	1.075 (27.3)	.36 (9.1)	.865 (22.0)	.56 (14.2)	.458 (11.6)	.677 (17.2)
25	1.175 (29.8)	.36 (9.1)	.965 (24.5)	.62 (15.7)	.483 (12.3)	.718 (18.2)
31	1.325 (33.7)	.36 (9.1)	1.115 (28.3)	.68 (17.3)	.476 (12.1)	.726 (18.4)
37	1.475 (37.5)	.36 (9.1)	1.265 (32.1)	.72 (18.3)	.478 (12.2)	.744 (18.9)
51	1.425 (36.2)	.40 (10.2)	1.215 (30.9)	.75 (19.1)	.548 (13.9)	.829 (21.1)
100	2.160 (54.9)	.45 (11.4)	1.800 (45.7)	.81 (20.6)	.687 (17.4)	.984 (25.0)

Shell Size	G	H REF	J Thread	K ±.03 (0.8)	M Max	Max Entry Table II
09	.650 (16.5)	.154 (3.9)	2-56 UNC-2	.75 (19.1)	1.00 (25.4)	08
15	.700 (17.8)	.154 (3.9)	2-56 UNC-2	.88 (22.4)	1.03 (26.2)	08
21	.735 (18.7)	.154 (3.9)	2-56 UNC-2	1.00 (25.4)	1.05 (26.7)	08
25	.800 (20.3)	.154 (3.9)	2-56 UNC-2	1.06 (26.9)	1.09 (27.7)	08
31	.860 (21.8)	.154 (3.9)	2-56 UNC-2	1.12 (28.4)	1.13 (28.7)	09
37	.925 (23.5)	.154 (3.9)	2-56 UNC-2	1.16 (29.5)	1.16 (29.5)	09
51	.975 (24.8)	.154 (3.9)	2-56 UNC-2	1.19 (30.2)	1.19 (30.2)	10
100	1.050 (26.7)	.184 (4.7)	4-40 UNC-2	1.25 (31.8)	1.25 (31.8)	12

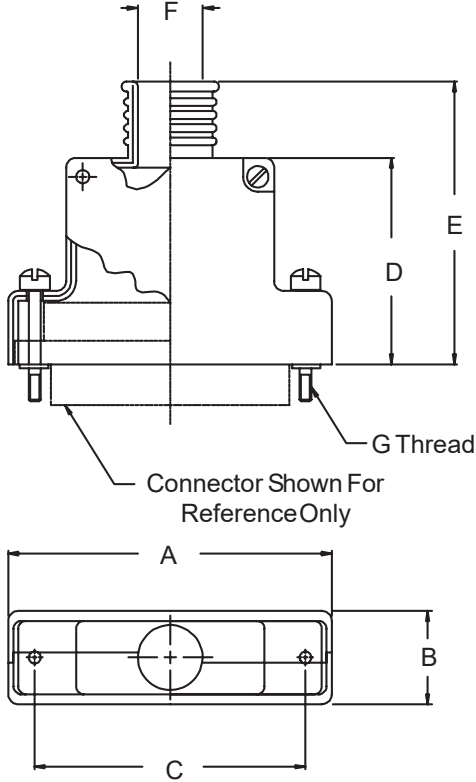
TABLE II: CABLE ENTRY

Dash No.	L Entry
04	.125 (3.2)
05	.156 (4.0)
06	.188 (4.8)
07	.219 (5.6)
08	.250 (6.4)
09	.281 (7.1)
10	.312 (7.9)
11	.344 (8.7)
12	.375 (9.5)

Metric dimensions (mm) are indicated in parentheses.



507-145 EMI/RFI Split Micro-D Banding Backshell



HOW TO ORDER				
Basic Part Number	Shell Plating *	Shell Size (Table I)	Hardware Options *	Band Option
507-145	C - Black Anodize	09	Omit for (2) male fillister head	B
	E - Chem. Film	15		
	J - Gold Iridite Over	21	E - (2) extended jackscrew	600-057 Band Supplied - (Omit if Not Required)
	Cadmium Over	25		
	Electroless Nickel	31		
	M - Electroless Nickel	37	H - (2) male hex socket	
	NF - Cadmium, Olive Drab Over Electroless Nickel	51	F - (2) female jackpost	
Z2 - Gold	100			
Sample Part Number:				
507-145	M	21	H	B

* SEE PAGE C-4 FOR COMPLETE INFORMATION

TABLE I: DIMENSIONS

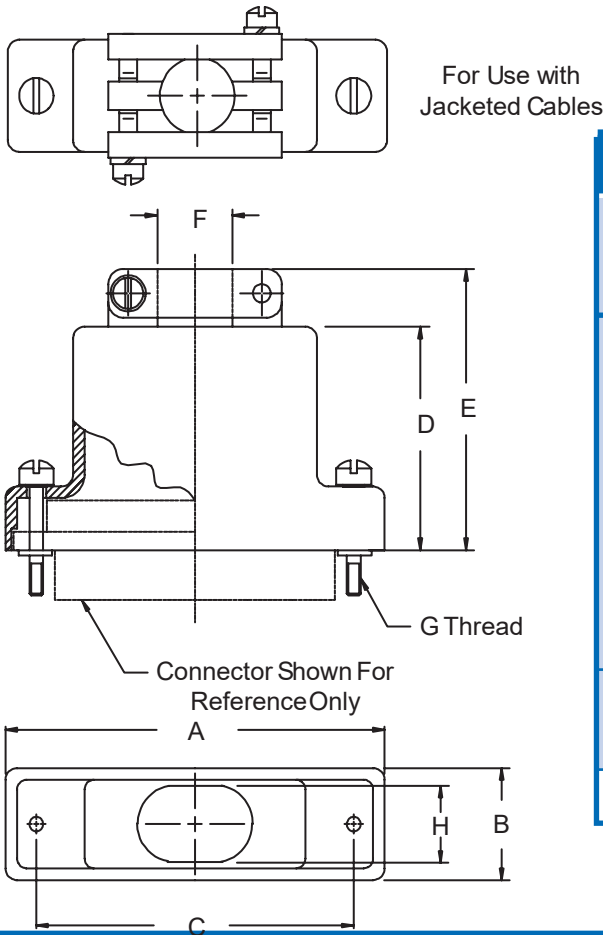
SHELL SIZE	A Max	B Max	C ±.005 (0.1)	D ±.010 (0.3)	E ±.020 (.5)	F ±.005 (0.1)	G THREAD
09	.915 (23.2)	.450 (11.4)	.565 (14.4)	.656 (16.7)	.968 (24.6)	.160 (4.1)	2-56 UNC-2
15	1.065 (27.1)	.450 (11.4)	.715 (18.2)	.718 (18.2)	1.031 (26.2)	.190 (4.8)	2-56 UNC-2
21	1.215 (30.9)	.450 (11.4)	.865 (22.0)	.750 (19.1)	1.062 (27.0)	.220 (5.6)	2-56 UNC-2
25	1.315 (33.4)	.450 (11.4)	.965 (24.5)	.812 (20.6)	1.125 (28.6)	.260 (6.6)	2-56 UNC-2
31	1.465 (37.2)	.450 (11.4)	1.115 (28.3)	.843 (21.4)	1.156 (29.4)	.275 (7.0)	2-56 UNC-2
37	1.615 (41.0)	.450 (11.4)	1.265 (32.1)	.906 (23.0)	1.218 (30.9)	.285 (7.2)	2-56 UNC-2
51	1.565 (39.8)	.495 (12.6)	1.215 (30.9)	.968 (24.6)	1.281 (32.5)	.350 (8.9)	2-56 UNC-2
100	2.305 (58.5)	.540 (13.7)	1.800 (45.7)	1.031 (26.2)	1.343 (34.1)	.490 (12.4)	4-40 UNC-2

Metric dimensions (mm) are indicated in parentheses.

507-146 EMI/RFI Solid Micro-D Backshell with Strain-Relief for Jacketed Cables



MIL-DTL-83513
Micro-D



HOW TO ORDER			
Basic Part Number	Shell Plating *	Shell Size (Table I)	Hardware Options *
507-146	C – Black Anodize	09	Omit for (2) male fillister head
	E – Chem. Film	15	
	J – Gold Iridite Over Cadmium Over Electroless Nickel	21	E – (2) extended jackscrew
	M – Electroless Nickel	25	
	NF – Cadmium, Olive Drab Over Electroless Nickel	31	
	Z2 – Gold	37	H – (2) male hex socket
		51	F – (2) female jackpost
	100		
Sample Part Number:			
507-146	M	21	H

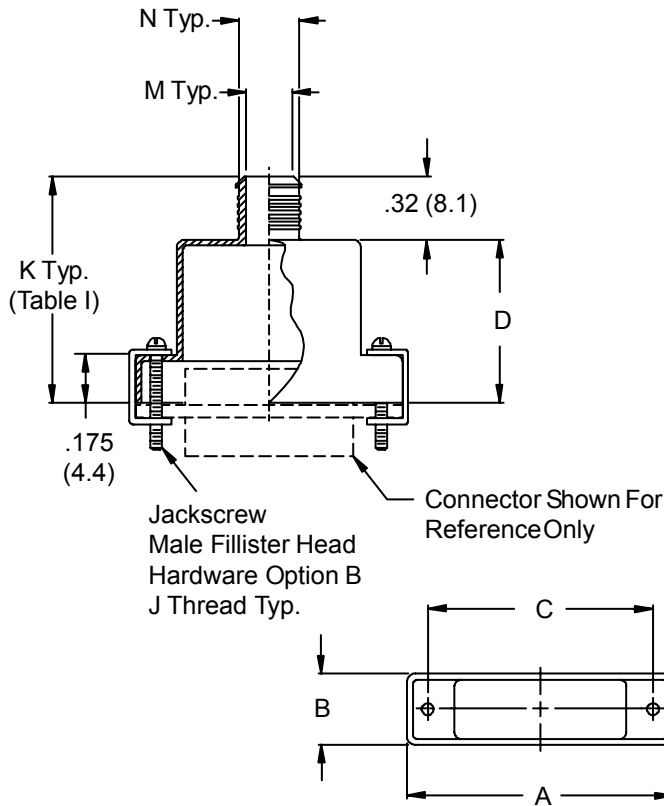
* SEE PAGE C-4 FOR COMPLETE INFORMATION

TABLE I: DIMENSIONS

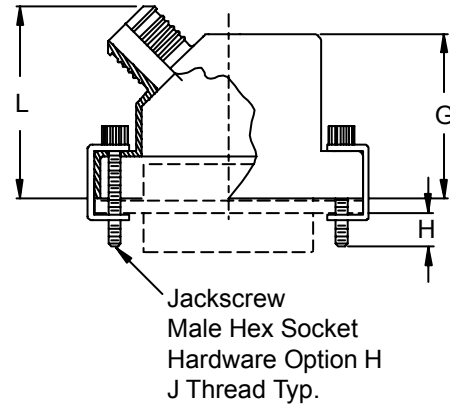
SHELL SIZE	A Max	B Max	C ±.005 (0.1)	D ±.010 (0.3)	E ±.030 (.8)	F ±.005 (0.1)	G THREAD	H ±.005 (0.1)
09	.915 (23.2)	.450 (11.4)	.565 (14.4)	.530 (13.5)	.750 (19.1)	.160 (4.1)	2-56 UNC-2A	.160 (4.1)
15	1.065 (27.1)	.450 (11.4)	.715 (18.2)	.580 (14.7)	.800 (20.3)	.190 (4.8)	2-56 UNC-2A	.190 (4.8)
21	1.215 (30.9)	.450 (11.4)	.865 (22.0)	.630 (16.0)	.910 (23.1)	.220 (5.6)	2-56 UNC-2A	.220 (5.6)
25	1.315 (33.4)	.450 (11.4)	.965 (24.5)	.680 (17.3)	.960 (24.4)	.260 (6.6)	2-56 UNC-2A	.260 (6.6)
31	1.465 (37.2)	.450 (11.4)	1.115 (28.3)	.720 (18.3)	1.000 (25.4)	.275 (7.0)	2-56 UNC-2A	.275 (7.0)
37	1.615 (41.0)	.450 (11.4)	1.265 (32.1)	.760 (19.3)	1.040 (26.4)	.285 (7.2)	2-56 UNC-2A	.285 (7.2)
51	1.565 (39.8)	.495 (12.6)	1.215 (30.9)	.840 (21.3)	1.120 (28.4)	.350 (8.9)	2-56 UNC-2A	.350 (8.9)
51-2	1.965 (49.9)	1.615 (41.0)	.450 (11.4)	.840 (21.3)	1.120 (28.4)	.500 (12.7)	2-56 UNC-2A	.285 (7.2)
67	2.365 (60.1)	2.015 (51.2)	.450 (11.4)	.840 (21.3)	1.120 (28.4)	.500 (12.7)	2-56 UNC-2A	.285 (7.2)
69	2.265 (57.5)	1.515 (38.5)	.495 (11.4)	.840 (21.3)	1.120 (28.4)	.500 (12.7)	2-56 UNC-2A	.320 (8.1)
100	2.305 (58.5)	1.800 (45.7)	.540 (13.7)	.910 (23.1)	1.190 (30.2)	.530 (13.5)	4-40 UNC-2A	.400 (10.2)

Metric dimensions (mm) are indicated in parentheses.

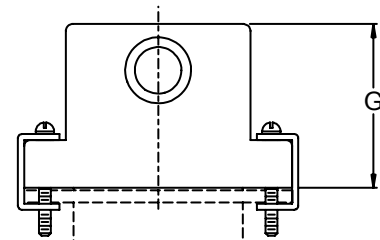
STYLE T - TOP ENTRY



STYLE E - 45° ENTRY

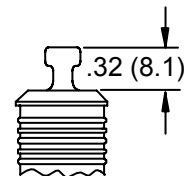


STYLE S - SIDE ENTRY



HOW TO ORDER

Series	Cable Entry Style	Basic Part No.	Shell Plating	Shell Size (Table I)	Hardware Options *	Cable Entry (Table II)	Qwik-Ty Option	Band Option
507	T - Top	088	XM - Electroless Nickel (See Opposite Page)	9	B - (2) male fillister head	04	S (Omit for Standard)	B 600-057 Band Supplied - (Omit if Not Required)
	S - Side			15	E - (2) extended jackscrew	05		
	E - 45°			21	H - (2) male hex socket	06		
				25	F - (2) female jackpost	07		
				31		08		
				37		09		
				51		10		
				100		11		
						12		



Sample Part Number:

507	T	088	XM	21	B	06	S	B
-----	---	-----	----	----	---	----	---	---

* SEE PAGE C-4 FOR COMPLETE INFORMATION

507-088 EMI/RFI Composite Micro-D Banding Backshell



MIL-DTL-83513
Micro-D

Composite shielded backshells offer over 40% weight savings compared to aluminum versions.

These composite backshells meet the requirements of SAE AIR 4567 and MIL-DTL-85049.

Available in a full range of sizes and options, composite backshells are designed for use with Glenair's EMI banding system for shield termination.

Material: High Grade Engineering Thermoplastic

Finish: Electroless Nickel

TABLE I: DIMENSIONS

SHELL SIZE	A	B	C	D	G
09	.775 (19.7)	.36 (9.1)	.565 (14.4)	.43 (10.9)	.650 (16.5)
15	.925 (23.5)	.36 (9.1)	.715 (18.2)	.44 (11.2)	.700 (17.8)
21	1.075 (27.3)	.36 (9.1)	.865 (22.0)	.56 (14.2)	.735 (18.7)
25	1.175 (29.8)	.36 (9.1)	.965 (24.5)	.62 (15.7)	.800 (20.3)
31	1.325 (33.7)	.36 (9.1)	1.115 (28.3)	.68 (17.3)	.860 (21.8)
37	1.475 (37.5)	.36 (9.1)	1.265 (32.1)	.72 (18.3)	.925 (23.5)
51	1.425 (36.2)	.40 (10.2)	1.215 (30.9)	.75 (19.1)	.975 (24.8)
100	2.160 (54.9)	.45 (11.4)	1.800 (45.7)	.81 (20.6)	1.050 (26.7)

SHELL SIZE	H REF	J THREAD	K ±.03 (0.8)	L MAX
09	.154 (3.9)	2-56 UNC-2	.75 (19.1)	1.00 (25.4)
15	.154 (3.9)	2-56 UNC-2	.76 (19.3)	1.03 (26.2)
21	.154 (3.9)	2-56 UNC-2	.88 (22.4)	1.05 (26.7)
25	.154 (3.9)	2-56 UNC-2	.94 (23.9)	1.09 (27.7)
31	.154 (3.9)	2-56 UNC-2	1.00 (25.4)	1.13 (28.7)
37	.154 (3.9)	2-56 UNC-2	1.04 (26.4)	1.16 (29.5)
51	.154 (3.9)	2-56 UNC-2	1.07 (27.2)	1.25 (31.8)
100	.184 (4.7)	4-40 UNC-2	1.13 (28.7)	1.32 (33.5)

TABLE II: CABLE ENTRY

Cable Entry	Shell Size	M Entry Dia	N Dia
04	09 THRU 100	.125 (3.2)	.219 (5.6)
05	09 THRU 100	.156 (4.0)	.250 (6.4)
06	09 THRU 100	.188 (4.8)	.281 (7.1)
07	09 THRU 100	.219 (5.6)	.313 (8.0)
08	09 THRU 100	.250 (6.4)	.344 (8.7)
09	31 THRU 100	.281 (7.1)	.375 (9.5)
10	51 THRU 100	.312 (7.9)	.406 (10.3)
11	100 ONLY	.344 (8.7)	.438 (11.1)
12	100 ONLY	.375 (9.5)	.469 (11.9)

Metric dimensions (mm) are indicated in parentheses.



500-047 EMI/RFI Elliptical Entry Micro-D Banding Backshell



Elliptical Backshells provide extra room for large wire bundles. This one piece version features an oversize shield termination area for both standard and micro BandMaster™ ATS shield termination straps.

Materials

- Shell: Aluminum Alloy
- Clips: 17-7PH Stainless Steel
- Hardware: 300 Series Stainless Steel

How To Order EMI/RFI Elliptical Backshells

Sample Part Number	500-047	M	25	H	T
Series	500-047				
Shell Finish	E – Chem Film (Alodyne) M – Electroless Nickel	J – Cadmium, Yellow Chromate NF – Cadmium, Olive Drab	Z2 – Gold		
Connector Size	09, 15, 21, 25, 31, 37 51, 51-2, 67, 69, 100 (See Table I)				
Hardware Option	HJ – Hex Head Jackscrew E – Extended Jackscrew	B – Fillister Head Jackscrew F – Jackpost, Female	H – Floating Screwlock (See Table I)		
EMI Band Strap Option	Omit (Leave Blank) – Band Not Included B – Standard Band .250" Wide, uncoiled M – Micro Band .125" Wide, uncoiled				
Qwik-Ty Option	T – with Qwik-Ty Omit for none				

Table I: Dimensions

SYMBOL E
EXTENDED JACKSCREW

SYMBOL H
FLOATING SCREWLOCK

RETAINING CLIP
J THREAD - TYP
CONNECTOR SHOWN FOR REFERENCE ONLY
SCREWLOCK OR JACKSCREW (SYMBOL B SHOWN)
CONFIGURATION MFR
OPTION APPLY TO MALE JACKSCREW

Hardware Option

HJ - Hex Head Jackscrew

B - Fillister Head Jackscrew

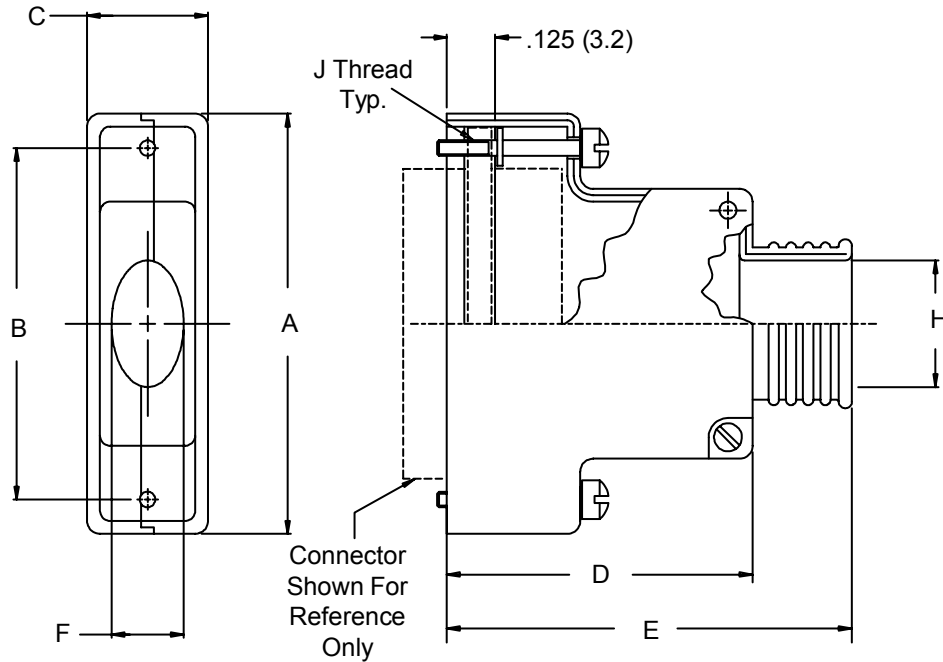
H - Floating Screwlock

E - Extended Jackscrew

F - Jackpost, Female

SYMBOL T
QWIK-TY

Size	A		B		C		D Dia		E Dia		F		G		H Ref.		J Thread
	In.	mm.	In.	mm.	In.	mm.	In.	mm.	In.	mm.	In.	mm.	In.	mm.	In.	mm.	
09	.775	19.69	.34	8.64	.75	19.05	.312	7.92	.281	7.14	.32	8.13	.565	14.35	.154	3.91	2-56 UNC-2A
15	.925	23.50	.34	8.64	.88	22.35	.420	10.67	.281	7.14	.44	11.18	.715	18.16	.154	3.91	2-56 UNC-2A
21	1.075	27.31	.34	8.64	1.00	25.40	.590	14.99	.281	7.14	.56	14.22	.865	21.97	.154	3.91	2-56 UNC-2A
25	1.175	29.85	.34	8.64	1.06	26.92	.690	17.53	.281	7.14	.62	15.75	.965	24.51	.154	3.91	2-56 UNC-2A
31	1.325	33.66	.34	8.64	1.12	28.45	.820	20.83	.281	7.14	.68	17.27	1.115	28.32	.154	3.91	2-56 UNC-2A
37	1.475	37.47	.34	8.64	1.16	29.46	.970	24.64	.281	7.14	.72	18.29	1.265	32.13	.154	3.91	2-56 UNC-2A
51	1.425	36.20	.38	9.65	1.19	30.23	.920	23.37	.312	7.92	.75	19.05	1.215	30.86	.154	3.91	2-56 UNC-2A
51-2	1.835	46.61	.34	8.64	1.19	30.23	1.030	26.16	.281	7.14	.75	19.05	1.615	41.02	.154	3.91	2-56 UNC-2A
69	1.730	43.94	.40	10.16	1.19	30.23	1.190	30.23	.312	7.92	.75	19.05	1.515	38.48	.154	3.91	2-56 UNC-2A
100	2.160	54.86	.43	10.92	1.25	31.75	1.290	32.77	.360	9.14	.81	20.57	1.800	45.72	.184	4.67	4-40 UNC-2A



HOW TO ORDER

Series	Basic Part Number	Shell Plating *	Shell Size (Table I)	Dash No. (Table II)	Hardware Options *	Band Option
507	164	C – Black Anodize	09	04	B – (2) male fillister head	B 600-057 Band Supplied (Omit if Not Required)
		E – Chem. Film	15	05	E – (2) extended jackscrew	
		J – Gold Iridite Over Cadmium Over Electroless Nickel	21	06	H – (2) male hex socket	
		M – Electroless Nickel	25	07	F – (2) female jackpost	
		NF – Cadmium, Olive Drab Over Electroless Nickel	31	08		
		Z2 – Gold	37	09		
			51	10		
			100	11		
				12		
				13		
				14		
				15		
				16		
Sample Part Number:						
507	— 164	M	21	05	B	B

* SEE PAGE C-4 FOR COMPLETE INFORMATION

Metric dimensions (mm) are indicated in parentheses.

507-164
EMI/RFI Split Banding Micro-D Backshell
Elliptical Entry



MIL-DTL-83513
Micro-D

Elliptical entry Micro-D backshells offer greater wire accommodation than round entry backshells. These rugged aluminum backshells are designed for use with Glenair's EMI bands for shield termination. Please see page C-3 for elliptical entry cable bundle diameters.

- **Elliptical Entry for Increased Wire Bundle Size**
- **Aluminum Alloy**
- **Supplied with Mounting Hardware**

TABLE I: DIMENSIONS

SHELL SIZE	A		B		C		D	
			± 0.005	(0.1)			± 0.010	(.3)
09	.915	(23.2)	.565	(14.4)	.450	(11.4)	.656	(16.7)
15	1.065	(27.1)	.715	(18.2)	.450	(11.4)	.718	(18.2)
21	1.215	(30.9)	.865	(22.0)	.450	(11.4)	.750	(19.1)
25	1.315	(33.4)	.965	(24.5)	.450	(11.4)	.812	(20.6)
31	1.465	(37.2)	1.115	(28.3)	.450	(11.4)	.843	(21.4)
37	1.615	(41.0)	1.265	(32.1)	.450	(11.4)	.906	(23.0)
51	1.565	(39.8)	1.215	(30.9)	.495	(12.6)	.968	(24.6)
100	2.305	(58.5)	1.800	(45.7)	.540	(13.7)	1.031	(26.2)

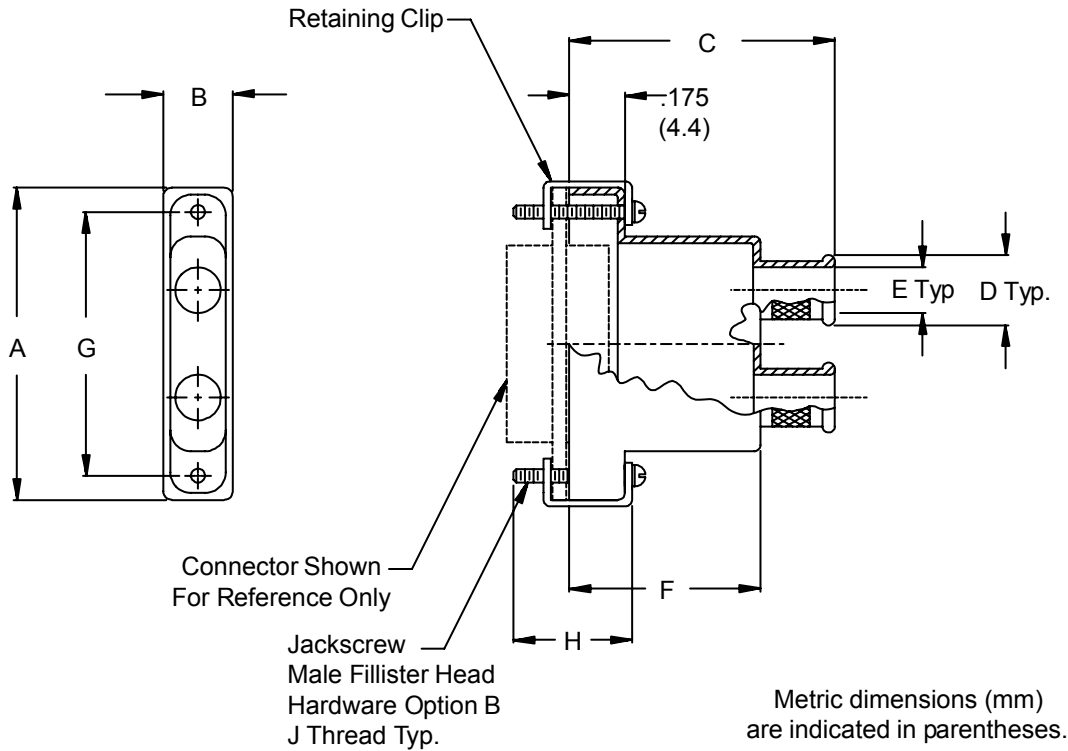
SHELL SIZE	E Dia		F Dia		G THREAD	DASH NO. (TABLE II)
	± 0.020	(.5)	± 0.010	(.3)		
09	.968	(24.6)	.160	(4.1)	2-56 UNC-2	04
15	1.031	(26.2)	.190	(4.8)	2-56 UNC-2	04, 05
21	1.062	(27.0)	.220	(5.6)	2-56 UNC-2	04 – 06
25	1.125	(28.6)	.260	(6.6)	2-56 UNC-2	05 – 08
31	1.156	(29.4)	.275	(7.0)	2-56 UNC-2	05 – 10
37	1.218	(30.9)	.285	(7.2)	2-56 UNC-2	05 – 13
51	1.281	(32.5)	.350	(8.9)	2-56 UNC-2	06 – 12
100	1.343	(34.1)	.490	(12.4)	4-40 UNC-2	09 – 16

TABLE II: CABLE ENTRY

DASH NO.	H	
04	.250	(6.4)
05	.312	(7.9)
06	.375	(9.5)
07	.437	(11.1)
08	.500	(12.7)
09	.562	(14.3)
10	.625	(15.9)
11	.688	(17.5)
12	.750	(19.1)
13	.812	(20.6)
14	.875	(22.2)
15	.938	(23.8)
16	1.000	(25.4)

Metric dimensions (mm) are indicated in parentheses.

507-142 EMI/RFI Dual Entry Micro-D Banding Backshell



HOW TO ORDER

Series	Basic Part Number	Shell Plating *	Shell Size (Table I)	Hardware Options *	Band Option
507	142	C – Black Anodize E – Chem. Film J – Gold Iridite Over Cadmium Over Electroless Nickel M – Electroless Nickel NF – Cadmium, Olive Drab Over Electroless Nickel Z2 – Gold	21 25 31 37 51 100	B – (2) male fillister head E – (2) extended jackscrew H – (2) male hex socket F – (2) female jackpost	B Two 600-052 Bands Supplied (Omit if Not Required)
Sample Part Number:					
507	142	M	21	B	B
* SEE PAGE C-4 FOR COMPLETE INFORMATION					

507-142
EMI/RFI Dual Entry
Micro-D Banding Backshell



MIL-DTL-83513
 Micro-D

See Part Number 500D001
(Page C-14) For Dual 45°
Entry Backshells

Dual entry backshells provide two cable entries for branched cable assemblies and daisy chain applications. These backshells are designed for use with Glenair's EMI banding system.

- **Two Cable Entries for Daisy Chain**
- **EMI Shielded**
- **One-Piece Machined Aluminum Construction**
- **Supplied with Mounting Hardware**

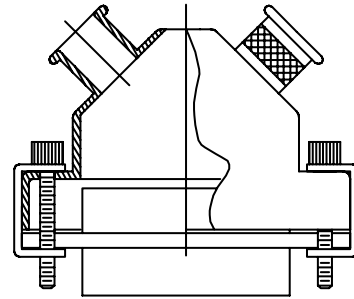


TABLE I: DIMENSIONS

SHELL SIZE	A	B	C	D Dia	E Dia
21	1.075 (27.3)	.34 (8.6)	1.000 (25.4)	.281 (7.1)	.125 (3.2)
25	1.175 (29.8)	.34 (8.6)	1.060 (26.9)	.344 (8.7)	.188 (4.8)
31	1.325 (33.7)	.34 (8.6)	1.120 (28.4)	.406 (10.3)	.250 (6.4)
37	1.475 (37.5)	.34 (8.6)	1.160 (29.5)	.500 (12.7)	.344 (8.7)
51	1.425 (36.2)	.38 (9.7)	1.190 (30.2)	.469 (11.9)	.312 (7.9)
100	2.160 (54.9)	.43 (10.9)	1.250 (31.8)	.688 (17.5)	.500 (12.7)

SHELL SIZE	F	G	H	J THREAD
21	.560 (14.2)	.865 (22.0)	.438 (11.1)	2-56 UNC-2
25	.620 (15.7)	.965 (24.5)	.438 (11.1)	2-56 UNC-2
31	.680 (17.3)	1.115 (28.3)	.438 (11.1)	2-56 UNC-2
37	.720 (18.3)	1.265 (32.1)	.438 (11.1)	2-56 UNC-2
51	.750 (19.1)	1.215 (30.9)	.438 (11.1)	2-56 UNC-2
100	.810 (20.6)	1.800 (45.7)	.469 (11.9)	4-40 UNC-2

Metric dimensions (mm) are indicated in parentheses.



500-017 & 500-037 Micro-D Metal Protective Cover



Choose **Metal Protective Covers** for full environmental protection.

Silicone Rubber gasket provides a watertight seal.

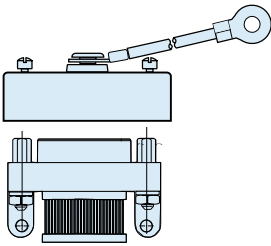
Use with **M83513 Type Metal Shell Micro-D Connectors**

MATERIALS & FINISHES

Shell	Aluminum Alloy 6061 -T6
Gasket	Silicone Rubber
Hardware	300 Series Stainless Steel, Passivated

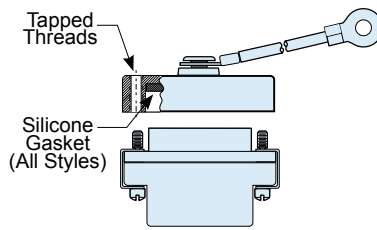
SELECT A PROTECTIVE COVER STYLE

Style 1



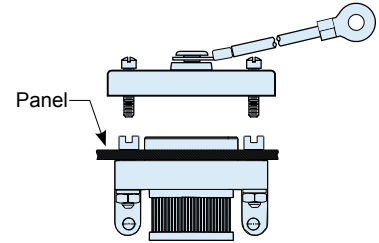
Use With Micro-D Connectors With Jackposts
Not for rear panel mounted connectors.

Style 2



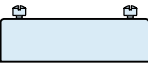

Use With Micro-D Connectors With Jackscrews

Style 3



Use With Rear-Panel Mounted Micro-D Connectors

HOW TO ORDER STYLE 1 AND STYLE 2 PROTECTIVE COVERS

Series	Shell Finish	Connector Size	Hardware Option	Lanyard Option	Lanyard Length	Ring Terminal Ordering Code
500-017	C – Black Anodize	09	<p>STYLE 1</p>  <p>Fits Micro-D's With Jackposts Cover has Jackscrews</p> <p>MB – Fillister Head Jackscrew MH – Hex Head Jackscrew</p> <p>STYLE 2</p>  <p>Fits Micro-D's With Jackscrews Cover has Tapped Female Threads</p> <p>F – Female Threads</p> <p>(STYLE 3: see next page)</p>	<p>N – No Lanyard G – Flexible Nylon Rope F – Wire Rope, Nylon Jacket H – Wire Rope, Hi-Temp Teflon Jacket</p>	<p>Length in One Inch Increments</p> <p>Example: "6" equals six inches.</p>	<p>06 – .125 (3.2) 01 – .140 (3.6) 05 – .167 (4.2) 04 – .197 (5.0)</p> <p>I.D. of Ring Terminal</p>
		15				
	E – Chem Film	21				
		25				
	J – Cadmium, Yellow Chromate	31				
		37				
		51				
	M – Electroless Nickel	51-2				
		67				
	NF – Cadmium, Olive Drab	69				
Z2 – Gold	100					
Sample Part Number						
500-017	M	25	MB	F	4	- 06

500-017 & 500-037 Micro-D Metal Protective Cover



MIL-DTL-83513
Micro-D

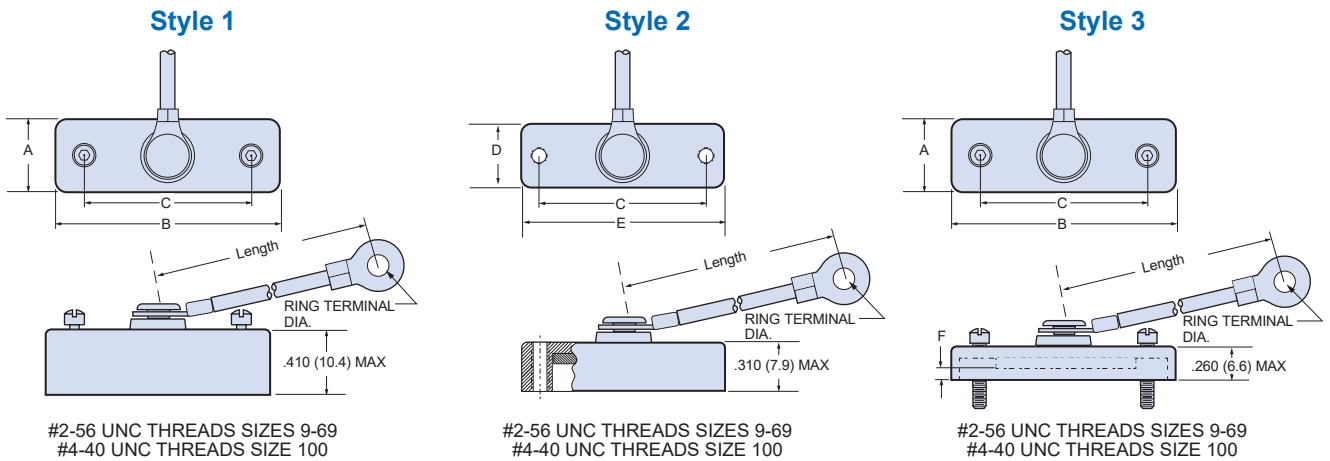
HOW TO ORDER STYLE 3 PROTECTIVE COVERS FOR REAR MOUNT CONNECTORS

Series	Shell Finish	Connector Size	Panel Thickness Option	Hardware Option	Lanyard Option	Ring Terminal Ordering Code	Length (In Inches)
500-037	C - Black Anodize	09	R1 - .031 (0.79) Panel	STYLE 3 Fits Micro-D's With Jackposts B - Fillister Head Jackscrew H - Hex Head Jackscrew	N - No Lanyard G - Flexible Nylon Rope F - Wire Rope, Nylon Jacket H - Wire Rope, Hi-Temp Teflon Jacket	06 - .125 (3.2) 01 - .140 (3.6) 05 - .167 (4.2) 04 - .197 (5.0) I.D. of Ring Terminal	2 - Inches (Omit for Standard 4-inch Length)
		15	R2 - .047 (1.19) Panel				
	E - Chem Film	21	R3 - .062 (1.57) Panel				
		J - Cadmium, Yellow Chromate	25				
	M - Electroless Nickel	31					
		37					
	NF - Cadmium, Olive Drab	51					
		51-2					
	Z2 - Gold	67					
		69					
		100					

Sample Part Number

500-037	J	31	R4	B	G	- 06	2
---------	---	----	----	---	---	------	---

PROTECTIVE COVER DIMENSIONS



For Micro-D Connectors With Jackposts

For Micro-D Connectors With Jackscrews

For Rear-Panel Mounted Micro-D

Size	A Max.		B Max.		C		D Max.		E Max.		F		
	In.	mm.	In.	mm.	In.	mm.	In.	mm.	In.	mm.	Panel Thickness	In.	mm.
09	.453	11.5	.930	23.6	.565	14.35	.380	9.65	.795	20.19	R1	.126	3.2
15	.453	11.5	1.080	27.4	.715	18.16	.380	9.65	.945	24.00	R2	.110	2.8
21	.453	11.5	1.230	31.2	.865	21.97	.380	9.65	1.095	27.81	R3	.095	2.4
25	.453	11.5	1.330	33.8	.965	24.51	.380	9.65	1.195	30.35	R4	.064	1.6
31	.453	11.5	1.480	37.6	1.115	28.32	.380	9.65	1.345	34.16			
37	.453	11.5	1.630	41.4	1.265	32.13	.380	9.65	1.495	37.97			
51	.496	12.6	1.580	40.1	1.215	30.86	.420	10.67	1.445	36.70			
51-2	.453	11.5	1.980	50.3	1.615	41.02	.380	9.65	1.845	46.86			
67	.453	11.5	2.380	60.5	2.015	51.18	.380	9.65	2.245	57.02			
69	.496	12.6	1.880	47.8	1.515	38.48	.420	10.67	1.745	44.32			
100	.539	13.7	2.315	58.8	1.800	45.72	.470	11.94	2.180	55.37			



500-016 Shorting Micro-D Backshell

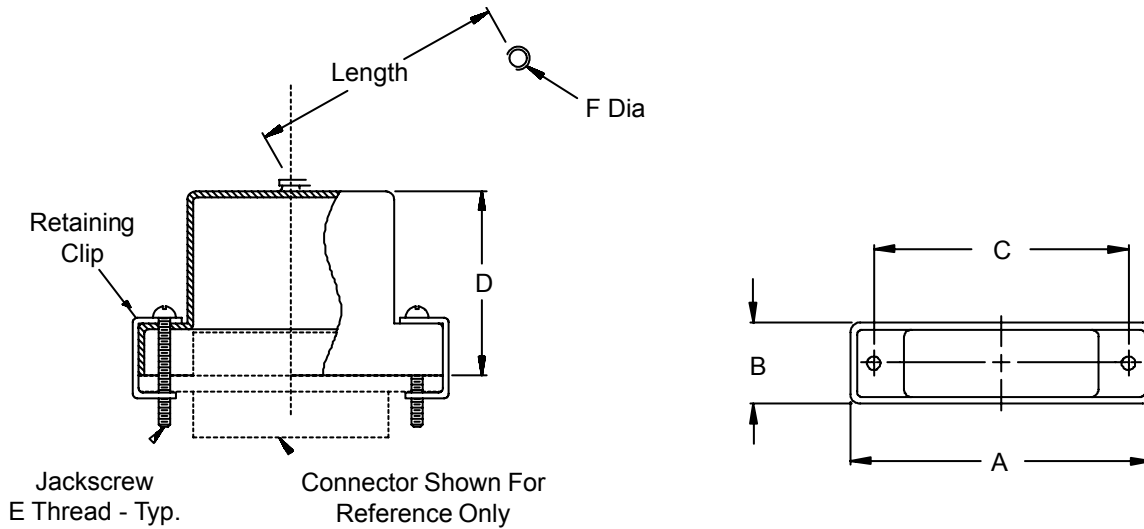


TABLE I: DIMENSIONS

SHELL SIZE	A	B	C	D		E Thread
				±.03	(0.8)	
09	.775 (19.7)	.36 (9.1)	.565 (14.4)	.32	(8.1)	2-56 UNC-2
15	.925 (23.5)	.36 (9.1)	.715 (18.2)	.44	(11.2)	2-56 UNC-2
21	1.075 (27.3)	.36 (9.1)	.865 (22.0)	.56	(14.2)	2-56 UNC-2
25	1.175 (29.8)	.36 (9.1)	.965 (24.5)	.62	(15.7)	2-56 UNC-2
31	1.325 (33.7)	.36 (9.1)	1.115 (28.3)	.68	(17.3)	2-56 UNC-2
37	1.475 (37.5)	.36 (9.1)	1.265 (32.1)	.72	(18.3)	2-56 UNC-2
51	1.425 (36.2)	.40 (10.2)	1.215 (30.9)	.75	(19.1)	2-56 UNC-2
100	2.160 (54.9)	.45 (11.4)	1.800 (45.7)	.81	(20.6)	4-40 UNC-2

TABLE II: FASTENER

Dash No.	F Dia
00	n/a
01	.140 (3.6)
02	.182 (4.6)
03	.191 (4.9)
04	.197 (5.0)
05	.167 (4.2)
06	.125 (3.2)

Metric dimensions (mm) are indicated in parentheses.

HOW TO ORDER

Series-Basic Part Number	Shell Plating *	Shell Size (Table I)	Hardware Options *	Attachment Type	Attach. Length	Dash No. (Table II)	
500-016	C – Black Anodize	09	B – (2) male fillister head	F – Wire Rope, Nylon Jacket	In One	00 *	
	E – Chem. Film	15				01	
	J – Gold Iridite Over Cadmium Over	21	E – (2) extended jackscrew	H – Wire Rope, Teflon Jacket	Increments	02	
		25				03	
	M – Electroless Nickel	31	H – (2) male hex socket	N – No Attachment		04	
		37				05	
	NF – Cadmium, Olive Drab Over	51	F – (2) female jackpost	R – Wire Rope, PVC Jacket		06	
		100				T – Wire Rope, No Jacket	
		Z2 – Gold					* No Eyelet Supplied

Sample Part Number:

500-016 M 31 B F 6 — 01

* SEE PAGE C-4 FOR COMPLETE INFORMATION

507-035 Micro-D Potting Shell



MIL-DTL-83513
Micro-D

Potting shells are designed to be used with solder cup Micro-D connectors. The potting shell is attached to the connector and filled with encapsulating compounds such as epoxy or RTV. The potting shell is supplied with integral jackscrews and provides a convenient way to protect the exposed solder cup contacts. The low profile shell requires minimal clearance and is made of machined aluminum.

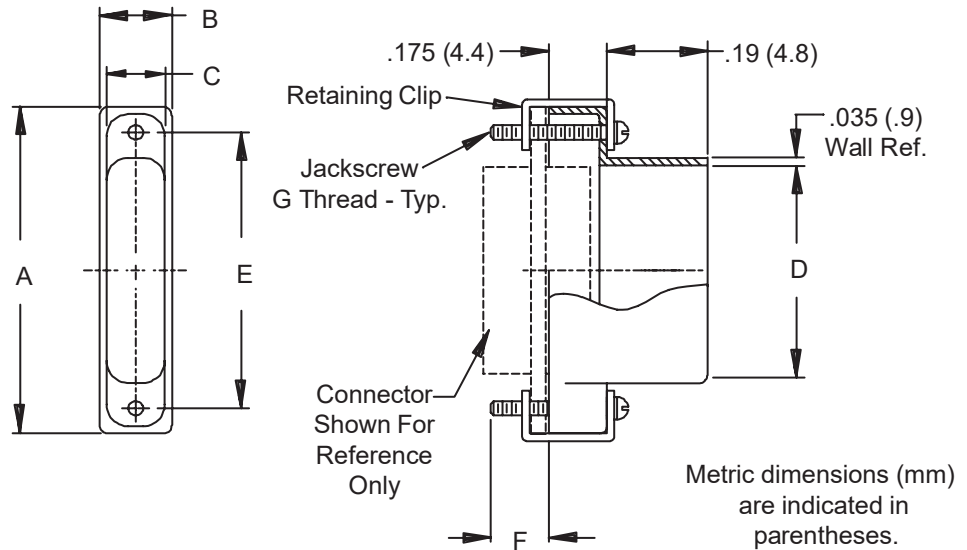


TABLE I: DIMENSIONS

SHELL SIZE	A	B	C	D	E	F Ref	G Thread
09	.775 (19.7)	.34 (8.6)	.26 (6.6)	.31 (7.9)	.565 (14.4)	.154 (3.9)	2-56 UNC-2
15	.925 (23.5)	.34 (8.6)	.26 (6.6)	.48 (12.2)	.715 (18.2)	.154 (3.9)	2-56 UNC-2
21	1.075 (27.3)	.34 (8.6)	.26 (6.6)	.65 (16.5)	.865 (22.0)	.154 (3.9)	2-56 UNC-2
25	1.175 (29.8)	.34 (8.6)	.26 (6.6)	.75 (19.1)	.965 (24.5)	.154 (3.9)	2-56 UNC-2
31	1.325 (33.7)	.34 (8.6)	.26 (6.6)	.88 (22.4)	1.115 (28.3)	.154 (3.9)	2-56 UNC-2
37	1.475 (37.5)	.34 (8.6)	.26 (6.6)	1.03 (26.2)	1.265 (32.1)	.154 (3.9)	2-56 UNC-2
51	1.425 (36.2)	.38 (9.7)	.30 (7.6)	.98 (24.9)	1.215 (30.9)	.154 (3.9)	2-56 UNC-2
100	2.160 (54.9)	.43 (10.9)	.36 (9.1)	1.35 (34.3)	1.800 (45.7)	.194 (4.9)	4-40 UNC-2

HOW TO ORDER

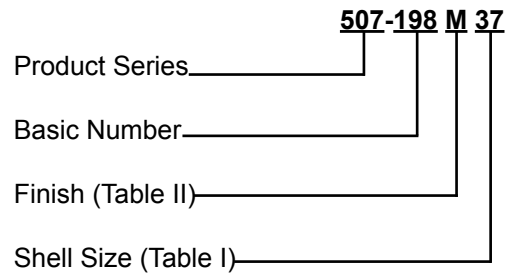
Series	Basic Part Number	Shell Plating *	Shell Size (Table I)
507	035	C – Black Anodize	09
		E – Chem. Film	15
		J – Gold Iridite Over Cadmium Over Electroless Nickel	21
		M – Electroless Nickel	25
		NF – Cadmium, Olive Drab Over Electroless Nickel	31
		Z2 – Gold	37
			51
		100	
Sample Part Number:			
507	— 035	M	21

*** SEE PAGE C-4 FOR COMPLETE INFORMATION**

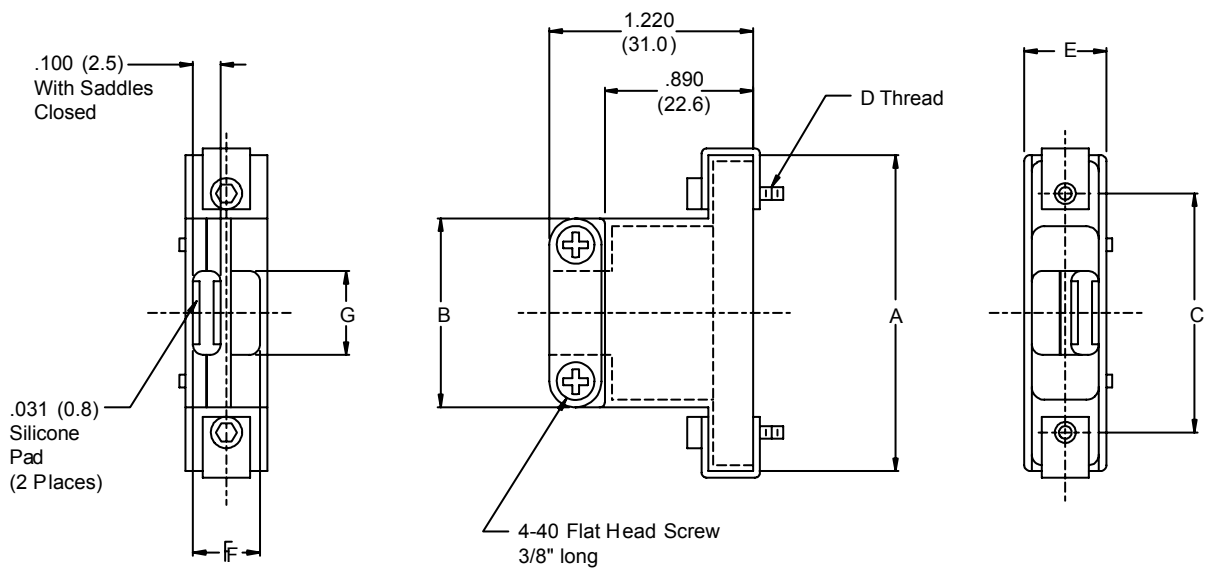
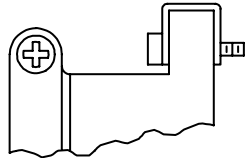


507-198
Micro-D Backshell Assembly with Strain-Relief
for Un-Jacketed Wire Bundles

For Use with
Un-Jacketed
Wire Bundles



Shell Size
09 thru 31



Metric dimensions (mm) are indicated in parentheses

TABLE I: SHELL SIZE & CONNECTOR INTERFACE DIMENSIONS

Shell Size	A Dim	B Dim	C Dim	D Thread	E Dia	F Dim	G Dim
09	.770 (19.6)	.810 (20.6)	.565 (14.4)	2-56 UNC-2A	.400 (10.2)	.310 (7.9)	.310 (7.9)
15	.920 (23.4)	.880 (22.4)	.715 (18.2)	2-56 UNC-2A	.400 (10.2)	.310 (7.9)	.380 (9.7)
21	1.070 (27.2)	.940 (23.9)	.865 (22.0)	2-56 UNC-2A	.400 (10.2)	.310 (7.9)	.440 (11.2)
25	1.170 (29.7)	1.000 (25.4)	.965 (24.5)	2-56 UNC-2A	.400 (10.2)	.310 (7.9)	.500 (12.7)
31	1.320 (33.5)	1.050 (26.7)	1.115 (28.3)	2-56 UNC-2A	.400 (10.2)	.310 (7.9)	.550 (14.0)
37	1.470 (37.3)	1.100 (27.9)	1.265 (32.1)	2-56 UNC-2A	.400 (10.2)	.310 (7.9)	.600 (15.2)
51	1.420 (36.1)	1.050 (26.7)	1.215 (30.9)	2-56 UNC-2A	.450 (11.4)	.360 (9.1)	.550 (14.0)
100	2.170 (55.1)	1.620 (41.1)	1.800 (45.7)	2-40 UNC-2A	.490 (12.4)	.400 (10.2)	1.000 (25.4)

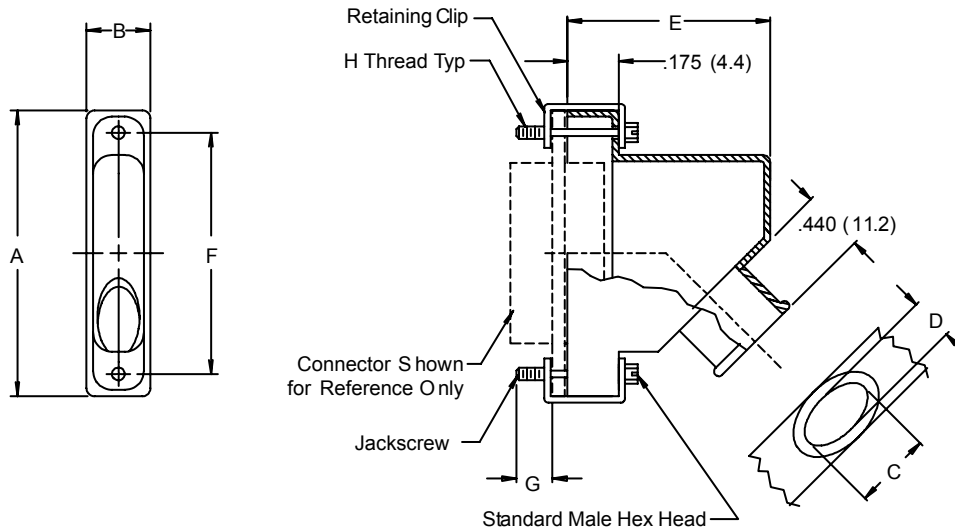
**TABLE III:
FINISH OPTIONS**

Symbol	Finish
B	Cadmium Plate/Olive Drab
C*	Black Anodize
G*	Anodic Hard Coat
J	Gold Iridite over Cadmium Plate over Electroless Nickel
LF	Cadmium Plate/Bright over Electroless Nickel
M	Electroless Nickel
N	Cadmium Plate/Olive Drab over Electroless Nickel
NC	Zinc Cobalt/Dark Olive Drab
NF	Cadmium Plate/Olive Drab over Electroless Nickel
T	Cadmium Plate/Bright over Electroless Nickel
U**	Cadmium Plate/Black
ZN	Zinc-Nickel Alloy/Olive Drab

*Anodize finish is not suitable for EMI shielding or grounding applications.

**Applicable to corrosion resisting steel backshells and accessories. Consult factory for other available finishes.

Metric dimensions (mm) are indicated in parentheses



HOW TO ORDER				
Series-Basic Part Number	Finish Symbol (Table II)	Shell Size (Table I)	Banding	Jackpost/ Jackscrew*
507-171		09	B – Band Supplied (600-052) Omit for No Band Supplied	B – 2 Male Fillister Heads
		15		H – 2 Male Hex Sockets
		21		F – 2 Female Jackposts
		25		FB – 1 Female Jackpost, and 1 Male Fillister head
		31		FH – 1 Female Jackpost, and 1 Male Hex Socket
		37		
		51		
		100		W – 2 Male External Hex Heads
Sample Part Number:				
507-171	M	21	— B	H
* SEE PAGE C-4 FOR COMPLETE INFORMATION				

NOTES:

1. Metric dimensions (mm) are indicated in parentheses.
2. Jackscrew & Jackpost to float, allowing Connector to engage prior to Jackscrew.
3. Use Glenair 600-057 Band and 600-061 Tool.

507-171

EMI/RFI Micro-D 45° Banding Backshell Assembly with Elliptical Banding Porch

MIL-DTL-83513
Micro-D
TABLE I: SHELL SIZE, CABLE ENTRY, BACKSHELL & CONNECTOR INTERFACE DIMENSIONS

Shell Size	A Dim	B Dim	C Dia	D Dia	E Dim	F Dim	G	H Thread
09	.775 (19.7)	.340 (8.6)	.320 (8.1)	.156 (4.0)	.840 (21.3)	.565 (14.5)	.154 (3.9)	2-56 UNC-2A
15	.925 (23.5)	.340 (8.6)	.384 (9.8)	.188 (4.8)	.890 (22.6)	.715 (18.2)	.154 (3.9)	2-56 UNC-2A
21	1.075 (27.3)	.340 (8.6)	.448 (11.4)	.219 (5.6)	.930 (23.6)	.865 (22.0)	.154 (3.9)	2-56 UNC-2A
25	1.175 (29.4)	.340 (8.6)	.508 (12.9)	.250 (6.4)	.980 (24.9)	.965 (24.5)	.154 (3.9)	2-56 UNC-2A
31	1.325 (33.7)	.340 (8.6)	.542 (13.8)	.265 (6.7)	1.000 (25.4)	1.115 (28.3)	.154 (3.9)	2-56 UNC-2A
37	1.475 (37.5)	.340 (8.6)	.572 (14.2)	.281 (7.1)	1.020 (25.9)	1.265 (32.1)	.154 (3.9)	2-56 UNC-2A
51	1.425 (36.2)	.380 (9.7)	.638 (16.2)	.312 (7.9)	1.070 (27.2)	1.215 (30.9)	.154 (3.9)	2-56 UNC-2A
100	2.160 (54.9)	.430 (10.9)	.766 (19.5)	.375 (9.5)	1.160 (29.5)	1.800 (45.7)	.194 (4.9)	4-40 UNC-2A

**TABLE III:
FINISH OPTIONS**

Symbol	Finish
B	Cadmium Plate/Olive Drab
C*	Black Anodize
G*	Anodic Hard Coat
J	Gold Iridite over Cadmium Plate over Electroless Nickel
LF	Cadmium Plate/Bright over Electroless Nickel
M	Electroless Nickel
N	Cadmium Plate/Olive Drab over Electroless Nickel
NC	Zinc Cobalt/Dark Olive Drab
NF	Cadmium Plate/Olive Drab over Electroless Nickel
T	Cadmium Plate/Bright over Electroless Nickel
U**	Cadmium Plate/Black
ZN	Zinc-Nickel Alloy/Olive Drab

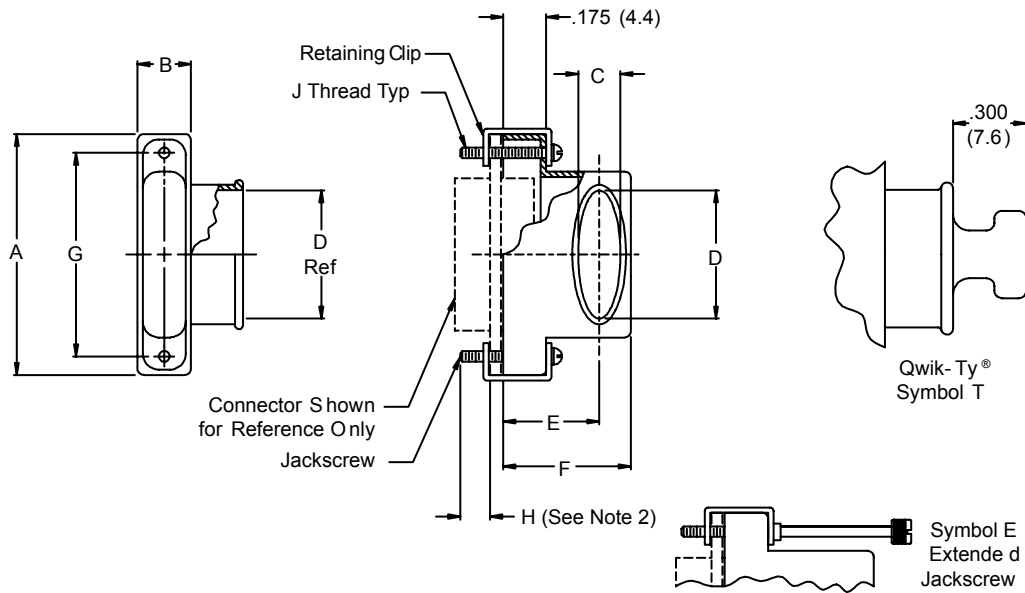
*Anodize finish is not suitable for EMI shielding or grounding applications.

**Applicable to corrosion resisting steel backshells and accessories. Consult factory for other available finishes.

Metric dimensions (mm) are indicated in parentheses

507S177

EMI/RFI Micro-D Banding Backshell with Elliptical Banding Porch and Optional Qwik-Ty®



HOW TO ORDER							
Product Series Number	Cable Entry Style	Basic Number	Finish Symbol (Table II)	Shell Size (Table I)	Jackscrew Option*	Banding	Qwik-Ty® Option
507	S – Side Entry	177		09 15 21 25 31 37 51 100	B – 2 Male Fillister Heads H – 2 Male Hex Sockets E – 2 Male Extended EH – 2 Male Extended and 1 Hex Socket	B – Band Supplied (600-052) Omit for No Band Supplied	T – Qwik-Ty® Supplied Omit for No Qwik-Ty®
Sample Part Number:							
507	S	177	M	21	H	B	T
* SEE PAGE C-4 FOR COMPLETE INFORMATION							

NOTES:

1. Metric dimensions (mm) are indicated in parentheses.
2. Special screw length, not to be used with Standard Jackpost.

507S177

EMI/RFI Micro-D Banding Backshell with Elliptical Banding Porch and Optional Qwik-Ty®

MIL-DTL-83513
Micro-D

TABLE I: SHELL SIZE, CABLE ENTRY, BACKSHELL & CONNECTOR INTERFACE DIMENSIONS

Shell Size	A Dim	B Dim	C Dia	D Dia	E Dim	F Dim	G Dim	H (See Note 2)	J Thread
09	.775 (19.7)	.340 (8.6)	.281 (7.1)	.312 (7.9)	.435 (11.0)	.607 (15.4)	.565 (14.4)	.218 (5.5)	2-56 UNC-2A
15	.925 (23.5)	.340 (8.6)	.281 (7.1)	.420 (10.7)	.440 (11.2)	.643 (16.3)	.715 (18.2)	.218 (5.5)	2-56 UNC-2A
21	1.075 (27.3)	.340 (8.6)	.281 (7.1)	.590 (15.0)	.450 (11.4)	.677 (17.2)	.865 (22.0)	.218 (5.5)	2-56 UNC-2A
25	1.175 (29.4)	.340 (8.6)	.281 (7.1)	.690 (17.5)	.483 (12.3)	.718 (18.2)	.965 (24.5)	.218 (5.5)	2-56 UNC-2A
31	1.325 (33.7)	.340 (8.6)	.281 (7.1)	.820 (20.8)	.476 (12.1)	.726 (18.4)	1.115 (28.3)	.218 (5.5)	2-56 UNC-2A
37	1.475 (37.5)	.340 (8.6)	.281 (7.1)	.970 (24.6)	.478 (12.1)	.744 (18.9)	1.265 (32.1)	.218 (5.5)	2-56 UNC-2A
51	1.425 (36.2)	.380 (9.7)	.312 (7.9)	.920 (23.4)	.540 (13.7)	.829 (21.1)	1.215 (30.9)	.218 (5.5)	2-56 UNC-2A
100	2.160 (54.9)	.430 (10.9)	.360 (9.1)	1.290 (32.8)	.687 (17.4)	.984 (25.0)	1.800 (45.7)	.218 (5.5)	4-40 UNC-2A

TABLE III:
FINISH OPTIONS

Symbol	Finish
B	Cadmium Plate/Olive Drab
C*	Black Anodize
G*	Anodic Hard Coat
J	Gold Iridite over Cadmium Plate over Electroless Nickel
LF	Cadmium Plate/Bright over Electroless Nickel
M	Electroless Nickel
N	Cadmium Plate/Olive Drab over Electroless Nickel
NC	Zinc Cobalt/Dark Olive Drab
NF	Cadmium Plate/Olive Drab over Electroless Nickel
T	Cadmium Plate/Bright over Electroless Nickel
U**	Cadmium Plate/Black
ZN	Zinc-Nickel Alloy/Olive Drab

*Anodize finish is not suitable for EMI shielding or grounding applications.

**Applicable to corrosion resisting steel backshells and accessories. Consult factory for other available finishes.

NOTES:

1. Metric dimensions (mm) are indicated in parentheses.
2. Special screw length, not to be used with Standard Jackpost.

EMI/RFI Micro-D Split Banding Backshell with Elliptical Banding Porch



Split Backshell With Elliptical Cable Entry provides added room for larger wire bundles. Terminate cable shields with Band-Master ATS® Micro Bands. This backshell features floating male screwlocks which allow full mating of the connector before the screws are fastened.

Rugged Aluminum housing with stainless steel hardware, available in electroless nickel or gold plating

How To Order EMI/RFI Split Shell Backshells

Sample Part Number	507-178	M	25	06	K	F	T
Series	507-178						
Shell Finish	M – Electroless Nickel Z2 – Gold						
Connector Size	09, 15, 21, 25, 31, 37, 51, 51-2, 67, 69, 75, 100, 130 (See Table I)						
Cable Entry Code	04, 05, 06, 07, 08, 09, 10, 11, 12, 13, 14, 15, 16 (See Table II)						
EMI Band Strap Option	B - Micro Band Supplied K - Coiled Micro Band Supplied Omit (Leave Blank) - Band Strap Not Supplied						
Hardware Option	Screwlocks H - (2) Hex Head Screwlock E - (2) Extended Screwlock (styles T and S only) F - (2) Jackpost, Female FF - Fixed Female Jackpost FE - Extended Female Jackpost Jackscrews J - (2) Fillister Head Jackscrew HJ - Hex Socket Jackscrew EJ - Extended Jackscrew (styles T and S only) Omit for standard knurl head Screwlock						
Qwik-Ty Option	T = with Qwik-Ty strain relief Omit for none						

NOTES

Screwlocks: screws float to allow connector to engage completely before tightening.
Jackscrews: screws must be tightened simultaneous with connector engagement

MATERIALS/FINISH

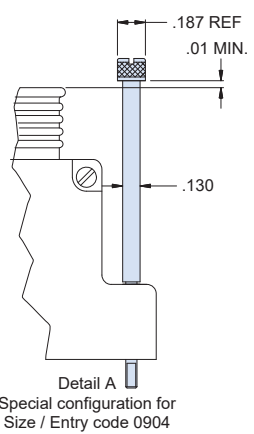
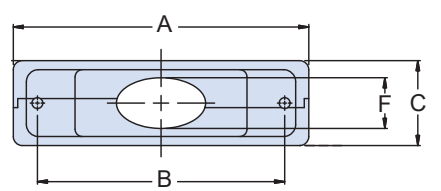
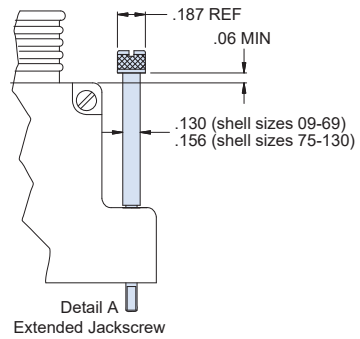
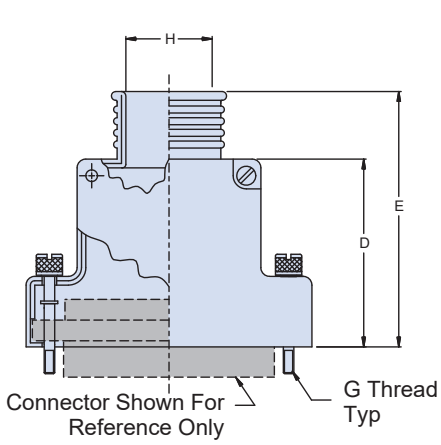
Backshell: Aluminum alloy
Hardware: CRES / passivated

507-178

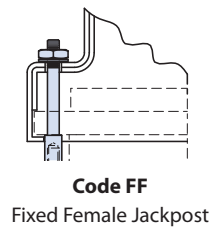
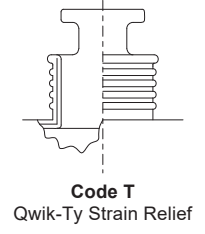
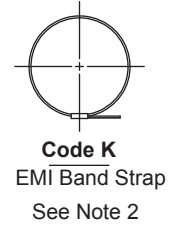
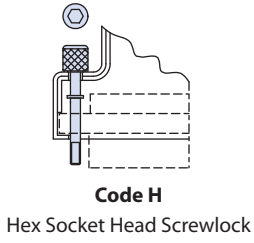
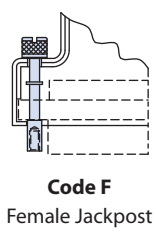
EMI/RFI Micro-D Split Banding Backshell with Elliptical Banding Porch



MIL-DTL-83513
Micro-D

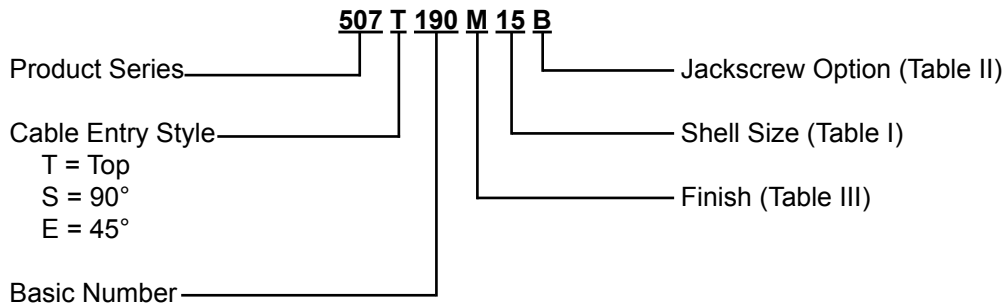


Code	H		Available on Shell Size
	In. ± .010	mm. ± 0.25	
04	.250	6.35	09, 15, 21
05	.312	7.92	15 Thru 31
06	.375	9.53	21 Thru 51
07	.437	11.10	25 Thru 51
08	.500	12.70	25 Thru 51
09	.562	14.27	31 Thru 100
10	.625	15.88	31 Thru 100
11	.688	17.48	37 Thru 100
12	.750	19.05	37 Thru 100
13	.812	20.62	37,51-2,67,69,100
14	.875	22.23	51-2, 67, 69, 100
15	.938	23.83	51-2, 67, 69, 100
16	1.000	25.40	51-2, 67, 69, 100

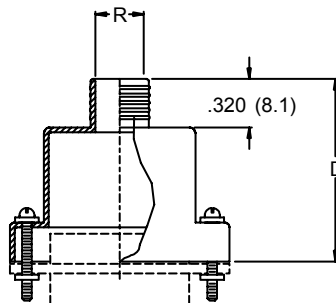


Size	A Max.		B		C Max.		D				E		F		G Thread	Available Entry Code Table II
	In.	mm.	In.	mm.	In.	mm.	In. ± .010	mm. ± 0.25	In. ± .020	mm. ± 0.022	In. ± .005	mm. ± .127				
09	.915	23.24	.565	14.35	.450	11.43	.701	17.81	1.013	25.73	.160	4.06	2-56 UNC-2A	04		
15	1.065	27.05	.715	18.16	.450	11.43	.763	19.38	1.076	27.33	.190	4.83	2-56 UNC-2A	04-05		
21	1.215	30.86	.865	21.97	.450	11.43	.795	20.19	1.107	28.12	.220	5.59	2-56 UNC-2A	04-06		
25	1.315	33.40	.965	24.51	.450	11.43	.857	21.77	1.170	29.72	.260	6.60	2-56 UNC-2A	05-08		
31	1.465	37.21	1.115	28.32	.450	11.43	.888	22.56	1.201	30.51	.275	6.99	2-56 UNC-2A	05-10		
37	1.615	41.02	1.265	32.13	.450	11.43	.951	24.16	1.263	32.08	.285	7.24	2-56 UNC-2A	06-13		
51	1.565	39.75	1.215	30.86	.495	12.57	1.013	25.73	1.326	33.68	.350	8.89	2-56 UNC-2A	06-12		
51-2	1.965	49.91	1.615	41.02	.450	11.43	1.013	25.73	1.326	33.68	.350	8.89	2-56 UNC-2A	09-16		
67	2.365	60.07	2.015	51.18	.450	11.43	1.013	25.73	1.326	33.68	.350	8.89	2-56 UNC-2A	09-16		
69	1.865	47.37	1.515	38.48	.495	12.57	1.013	25.73	1.326	33.68	.350	8.89	2-56 UNC-2A	09-16		
75	2.210	56.13	1.705	43.31	.495	12.57	1.013	25.73	1.326	33.68	.350	8.89	4-40 UNC-2A	09-16		
100	2.305	58.55	1.800	45.72	.540	13.72	1.076	27.33	1.388	35.26	.490	12.45	4-40 UNC-2A	09-16		
130	2.665	67.69	2.160	54.86	.540	13.72	1.076	27.33	1.388	35.26	.490	12.45	4-40 UNC-2A	09-16		

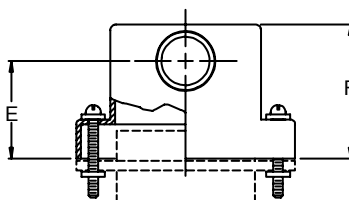
© 2011 Glenair, Inc. Rectangular Connector Backshells U.S. CAGE Code 06324 Rev. 06.21.19 Printed in U.S.A.



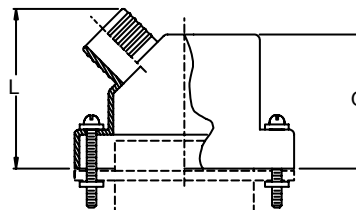
Style T - Top Entry



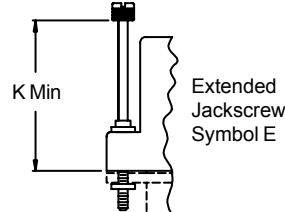
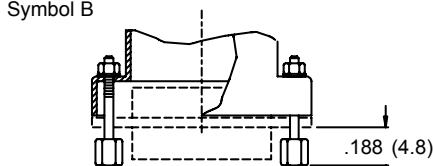
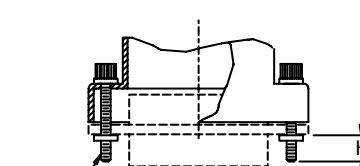
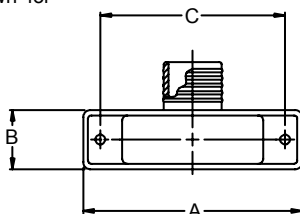
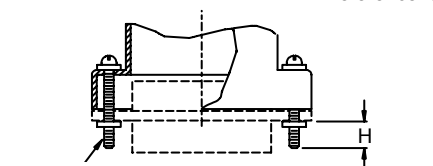
Style S - 90° Entry



Style E - 45° Entry



Connector shown for Reference Only



Crimp Ring
Supplied on All Styles

Style T and S Only

NOTES:

1. Metric dimensions (mm) are indicated in parentheses.
2. Equivalent to Raytheon H5935-2218551.

507-190
EMI-RFII Crimp-Ring
Micro-D Backshell Assembly



MIL-DTL-83513
 Micro-D

TABLE I: BACKSHELL AND CONNECTOR INTERFACE DIMENSIONS

Shell Size	A Max	B ±.005 (0.1)	C ±.005 (0.1)	D ±.020 (0.5)	E ±.0205 (0.5)	F ±.010 (0.3)	G ±.060 (1.5)	H Ref	J Thread
09	.785 (19.9)	.340 (8.6)	.565 (14.4)	.752 (19.1)	.460 (11.7)	.607 (15.4)	.650 (16.5)	.154 (3.9)	2-56 UNC-2A
15	.935 (23.7)	.340 (8.6)	.715 (18.2)	.802 (20.4)	.475 (12.1)	.643 (16.3)	.700 (17.8)	.154 (3.9)	2-56 UNC-2A
21	1.085 (27.6)	.340 (8.6)	.865 (22.0)	.852 (21.6)	.490 (12.4)	.677 (17.2)	.735 (18.7)	.154 (3.9)	2-56 UNC-2A
25	1.185 (30.1)	.360 (9.1)	.965 (24.5)	.902 (22.9)	.510 (13.0)	.718 (18.2)	.800 (20.3)	.154 (3.9)	2-56 UNC-2A
31	1.335 (33.9)	.360 (9.1)	1.115 (28.3)	.942 (23.9)	.518 (13.2)	.726 (18.4)	.860 (21.8)	.154 (3.9)	2-56 UNC-2A
37	1.485 (37.7)	.360 (9.1)	1.265 (32.1)	.982 (24.9)	.523 (13.3)	.744 (18.9)	.925 (23.5)	.154 (3.9)	2-56 UNC-2A
51	1.436 (36.5)	.400 (10.2)	1.215 (30.9)	1.062 (27.0)	.555 (14.1)	.829 (21.1)	.975 (24.8)	.154 (3.9)	2-56 UNC-2A
100	2.175 (55.2)	.450 (11.4)	1.800 (45.7)	1.127 (28.6)	.625 (15.9)	.984 (25.0)	1.050 (26.7)	.184 (4.7)	4-40 UNC-2A

TABLE I (CONTINUED):

Shell Size	K Min	L Max	M ±.005 (0.1)
09	.590 (15.0)	.875 (22.2)	.160 (4.1)
15	.720 (18.3)	.925 (23.5)	.190 (4.8)
21	.830 (21.1)	.975 (24.8)	.220 (5.6)
25	.890 (22.6)	1.025 (26.0)	.260 (6.6)
31	.950 (24.1)	1.065 (27.0)	.275 (7.0)
37	.990 (25.1)	1.105 (28.1)	.285 (7.2)
51	1.020 (25.9)	1.187 (30.1)	.350 (8.9)
100	1.080 (27.4)	1.250 (31.8)	.490 (12.4)

**TABLE II:
 JACKSCREWS**

Symbol	Jackscrew Type
B	Fillister Head, Male (2)
H	Hex Socket, Male (2)
E	Extended, Male (2)
F	Jackpost, Female (2)
FB	Jackpost, Female (1)
	Fillister Head, Male (1)
FH	Jackpost, Female (1)
	Hex Socket, Male (1)

**TABLE III:
 FINISH OPTIONS**

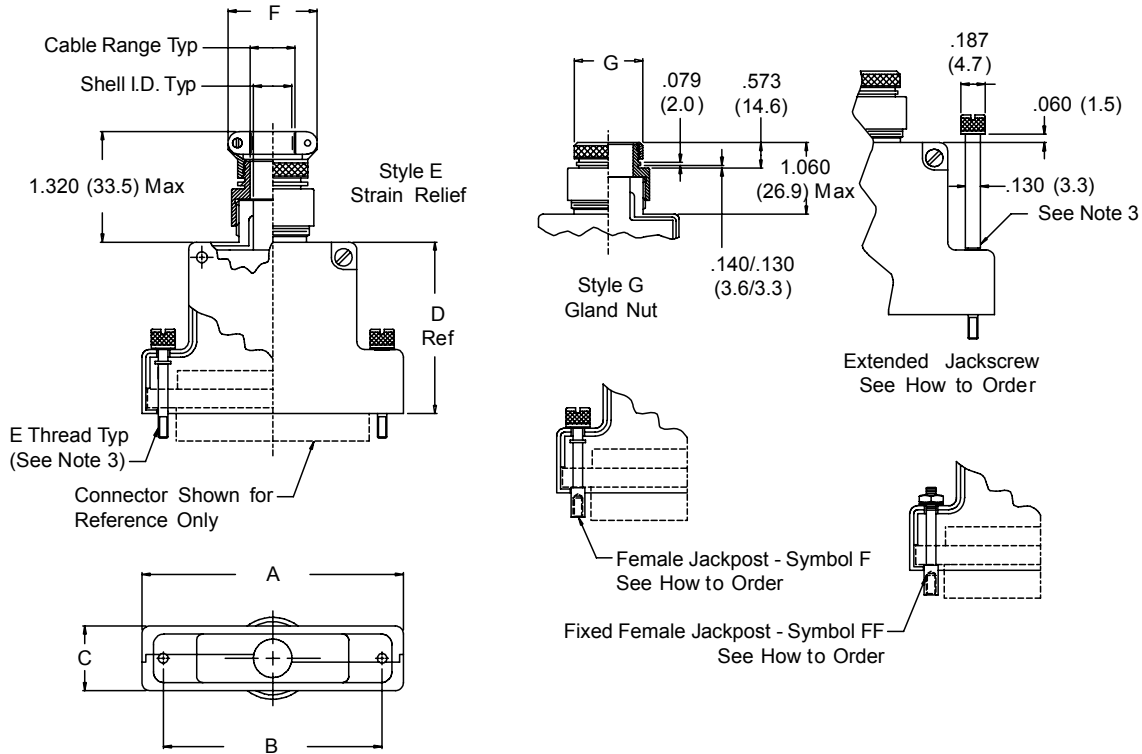
Symbol	Finish
B	Cadmium Plate/Olive Drab
C*	Black Anodize
G*	Anodic Hard Coat
J	Gold Iridite over Cadmium Plate over Electroless Nickel
LF	Cadmium Plate/Bright over Electroless Nickel
M	Electroless Nickel
N	Cadmium Plate/Olive Drab over Electroless Nickel
NC	Zinc Cobalt/Dark Olive Drab
NF	Cadmium Plate/Olive Drab over Electroless Nickel
T	Cadmium Plate/Bright over Electroless Nickel
U**	Cadmium Plate/Black
ZN	Zinc-Nickel Alloy/Olive Drab

*Anodize finish is not suitable for EMI shielding or grounding applications.

**Applicable to corrosion resisting steel backshells and accessories. Consult factory for other available finishes.

Metric dimensions (mm) are indicated in parentheses

507-195 EMI/RFI Micro-D Split Backshell Assembly with Clamp and Gland Nut Style Strain-Relief



HOW TO ORDER					
Series/ Basic Number	Finish Symbol (Table III)	Shell Size (Table I)	Dash No. (Table II)	Jackscrew Option*	Gland Nut or Strain Relief
507-195		09		E – Extended Jackscrew	G – Gland Nut
		15			
		21			
		25			
		31			
		37			
		51			
100					
Sample Part Number:					
507-195	M	21	02	E	G
* SEE PAGE C-4 FOR COMPLETE INFORMATION					

NOTES:

1. Metric dimensions (mm) are indicated in parentheses.
2. Accommodates MS3109 through MS3117 and M85049/68 Lipped-Type Shrink Boots.
3. Jackscrew and Jackpost to float allowing Connector to engage prior to Jackscrew.

507-195
EMI/RFI Micro-D Split Backshell Assembly
with Clamp and Gland Nut Style Strain-Relief



MIL-DTL-83513
Micro-D

TABLE I: SHELL SIZE, CABLE ENTRY, BACKSHELL & CONNECTOR INTERFACE DIMENSIONS

Shell Size	A Max	B ±.005 (0.13)	C Max	D ±.010 (0.25)	E Thread	Shell I.D.
09	.915 (23.4)	.565 (14.4)	.450 (11.4)	.701 (17.8)	2-56 UNC-2A	.310 (7.9)
15	1.065 (27.1)	.715 (18.2)	.450 (11.4)	.763 (19.4)	2-56 UNC-2A	.310 (7.9)
21	1.215 (30.9)	.865 (22.0)	.450 (11.4)	.795 (20.4)	2-56 UNC-2A	.310 (7.9)
25	1.315 (33.4)	.965 (24.5)	.450 (11.4)	.857 (21.8)	2-56 UNC-2A	.310 (7.9)
31	1.465 (37.2)	1.115 (28.3)	.450 (11.4)	.888 (22.6)	2-56 UNC-2A	.310 (7.9)
37	1.615 (41.0)	1.265 (32.1)	.450 (11.4)	.951 (24.2)	2-56 UNC-2A	.310 (7.9)
51	1.565 (39.8)	1.215 (30.9)	.495 (12.6)	1.013 (25.7)	2-56 UNC-2A	.360 (9.1)
100	2.305 (51.7)	1.800 (45.7)	.540 (13.7)	1.076 (27.3)	4-40 UNC-2A	.400 (10.2)

TABLE II: DASH NUMBER AND CABLE ENTRY

Dash No.	Clamp Range		F Dia Max	G Max
	Min	Max		
02	.125 (3.2)	.250 (6.4)	.968 (24.6)	.515 (13.1)
03	.250 (6.4)	.375 (9.5)	1.046 (9.5)	.640 (16.3)
04	.312 (7.9)	.500 (12.7)	1.156 (29.4)	.765 (19.4)

**TABLE III:
FINISH OPTIONS**

Symbol	Finish
B	Cadmium Plate/Olive Drab
C*	Black Anodize
G*	Anodic Hard Coat
J	Gold Iridite over Cadmium Plate over Electroless Nickel
LF	Cadmium Plate/Bright over Electroless Nickel
M	Electroless Nickel
N	Cadmium Plate/Olive Drab over Electroless Nickel
NC	Zinc Cobalt/Dark Olive Drab
NF	Cadmium Plate/Olive Drab over Electroless Nickel
T	Cadmium Plate/Bright over Electroless Nickel
U**	Cadmium Plate/Black
ZN	Zinc-Nickel Alloy/Olive Drab

*Anodize finish is not suitable for EMI shielding or grounding applications.

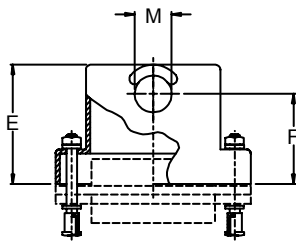
**Applicable to corrosion resisting steel backshells and accessories. Consult factory for other available finishes.

NOTES:

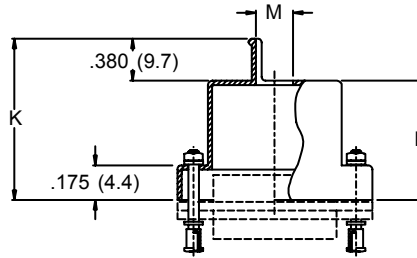
1. Metric dimensions (mm) are indicated in parentheses.
2. Accommodates MS3109 through MS3117 and M85049/68 Lipped-Type Shrink Boots.
3. Jackscrew and Jackpost to float allowing Connector to engage prior to Jackscrew.

500-056 EMI/RFI Backpanel Mount Micro-D Backshell with Qwik-Ty® Strain-Relief

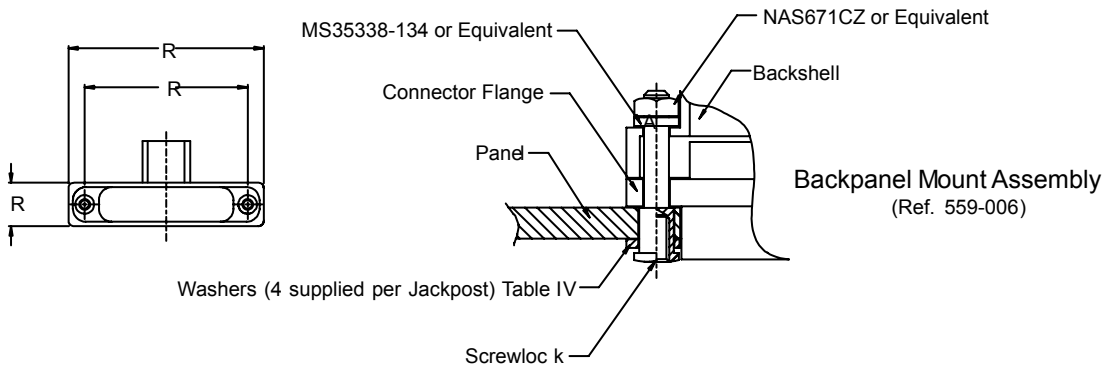
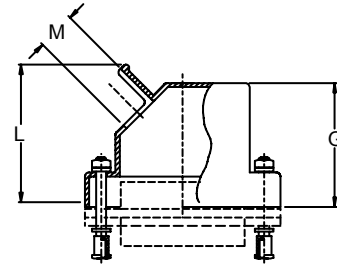
Style S - Side Entry



Style T - Top Entry



Style E - 45° Entry



HOW TO ORDER

Series Number	Cable Entry Style	Basic Part No.	Finish Options (Table III)	Shell Size (Table I)	Entry (Table II)
500	T - Top	056			
	S - Side				
	E - 45°				
Sample Part Number:					
500	T	056	M	21	08

TABLE II: CABLE ENTRY

Dash No.	M Entry
04	.125 (3.2)
05	.156 (4.0)
06	.188 (4.8)
07	.219 (5.6)
08	.250 (6.4)
09	.281 (7.1)
10	.312 (7.9)
11	.344 (8.7)
12	.375 (9.5)

TABLE IV: PANEL THICKNESS

Panel Thickness	Washers Required
.047 (1.2)	4
.062 (1.8)	3
.093 (2.4)	2
.109 (2.8)	2
.125 (3.2)	1
.156 (4.0)	N/A

Metric dimensions (mm) are indicated in parentheses

500-056
EMI/RFI Backpanel Mount Micro-D Backshell
with Qwik-Ty® Strain-Relief



MIL-DTL-83513
Micro-D

TABLE I: SHELL SIZE, BACKSHELL AND CONNECTOR INTERFACE DIMENSIONS

Shell Size	A	B	C	D	E	F	G	H REF	J Thread
09	.775 (19.7)	.360 (9.1)	.565 (14.4)	.320 (8.1)	.607 (15.4)	.435 (11.0)	.650 (16.5)	.154 (3.9)	2-56 UNC-2
15	.925 (23.5)	.360 (9.1)	.715 (18.2)	.440 (11.2)	.643 (16.3)	.440 (11.2)	.700 (17.8)	.154 (3.9)	2-56 UNC-2
21	1.075 (27.3)	.360 (9.1)	.865 (22.0)	.560 (14.2)	.677 (17.2)	.458 (11.6)	.735 (18.7)	.154 (3.9)	2-56 UNC-2
25	1.175 (29.8)	.360 (9.1)	.965 (24.5)	.620 (15.7)	.718 (18.2)	.483 (12.3)	.800 (20.3)	.154 (3.9)	2-56 UNC-2
31	1.325 (33.7)	.360 (9.1)	1.115 (28.3)	.680 (17.3)	.726 (18.4)	.476 (12.1)	.860 (21.8)	.154 (3.9)	2-56 UNC-2
37	1.475 (37.5)	.360 (9.1)	1.265 (32.1)	.720 (18.3)	.744 (18.9)	.478 (12.2)	.925 (23.5)	.154 (3.9)	2-56 UNC-2
51	1.425 (36.2)	.400 (10.2)	1.215 (30.9)	.750 (19.1)	.829 (21.1)	.548 (13.9)	.975 (24.8)	.154 (3.9)	2-56 UNC-2
100	2.160 (54.9)	.450 (11.4)	1.800 (45.7)	.810 (20.6)	.984 (25.0)	.687 (17.4)	1.050 (26.7)	.184 (4.7)	4-40 UNC-2

TABLE I (CONTINUED):

Shell Size	K ±.03 (0.8)	L Max	M Dia ±.005 (0.1)	Max Entry (Table IV)
09	.700 (17.8)	.900 (22.9)	.156 (4.0)	08
15	.820 (20.8)	.960 (24.4)	.188 (4.8)	08
21	.940 (23.9)	.990 (25.1)	.219 (5.6)	08
25	1.000 (25.4)	1.050 (26.7)	.250 (6.4)	08
31	1.060 (26.9)	1.080 (27.4)	.265 (6.7)	09
37	1.100 (27.9)	1.120 (28.4)	.281 (7.1)	09
51	1.130 (28.7)	1.210 (30.7)	.312 (7.9)	10
100	1.190 (30.2)	1.280 (32.5)	.375 (9.5)	12

**TABLE III:
FINISH OPTIONS**

Symbol	Finish
B	Cadmium Plate/Olive Drab
C*	Black Anodize
G*	Anodic Hard Coat
J	Gold Iridite over Cadmium Plate over Electroless Nickel
LF	Cadmium Plate/Bright over Electroless Nickel
M	Electroless Nickel
N	Cadmium Plate/Olive Drab over Electroless Nickel
NC	Zinc Cobalt/Dark Olive Drab
NF	Cadmium Plate/Olive Drab over Electroless Nickel
T	Cadmium Plate/Bright over Electroless Nickel
U**	Cadmium Plate/Black
ZN	Zinc-Nickel Alloy/Olive Drab

*Anodize finish is not suitable for EMI shielding or grounding applications.

**Applicable to corrosion resisting steel backshells and accessories. Consult factory for other available finishes.

Metric dimensions (mm) are indicated in parentheses



"Marshal Bean" Protective Rubber Covers with Tether Rope 780-555



*Fits Metal Shell
M83513 Type
Connectors*

Rubber Covers for Tactical Equipment and Field Instruments

– These friction-fit covers provide dust and splash protection.

Two Tether Styles – Choose ring terminals for attachment to a panel, or choose slip knots for cable attachment.

-55° to +125° Temperature Range

MATERIALS & FINISHES

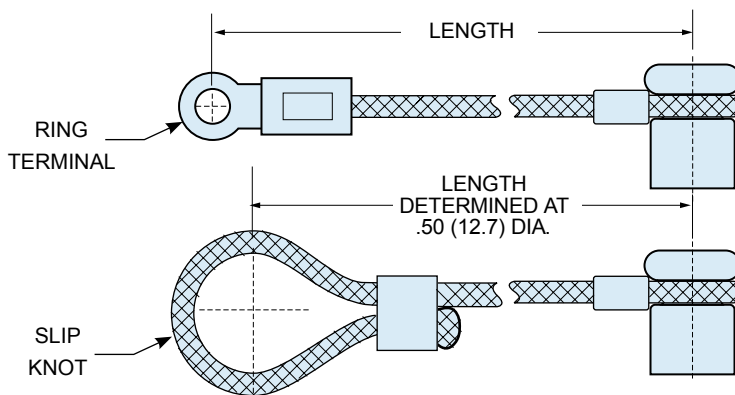
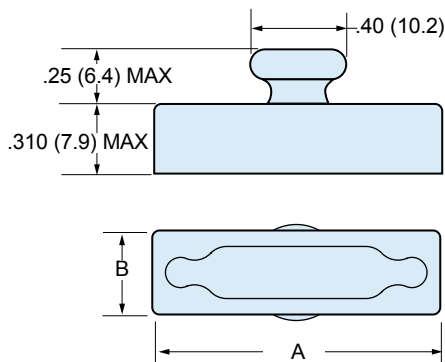
Cover	SBR Rubber Per ASTM D2000 Type C
Cord	Nylon Per MIL-C-43307
Ring Terminal	Stainless Steel
Slip Collar	Kynar
Crimp Ring	Copper, Black Oxide Finish

HOW TO ORDER 780-555 RUBBER PROTECTIVE COVERS

Series	Connector Layout	Nylon Cord Option	Nylon Cord Length	Attachment Option	Rubber Type
780-555	9P 9S	Omit – (leave blank) Cover only, no cord	Length in One Inch Increments Example: "6" equals six inches. ± .250 Inches ± 6.35 mm	Ring Terminal 06 – .125 (3.2) I.D.	Omit Standard Rubber
	15P 15S				
	21P 21S	05 – .167 (4.2) I.D.			
	25P 25S			04 – .197 (5.0) I.D.	
	31P 31S	SK – Slip Knot			
	37P 37S			C Conductive Rubber	
	51P 51S	51-2P 51-2S			
	67P 67S			69P 69S	
	69P 69S	100P 100S			
	100P 100S				

Sample Part Number

780-555	37P	G	4	- SK	
---------	-----	---	---	------	--



Layout	A Max.		B Max.	
	In.	mm.	In.	mm.
9P, 9S	.830	21.08	.370	9.40
15P, 15S	.980	24.89	.370	9.40
21P, 21S	1.130	28.70	.370	9.40
25P, 25S	1.230	31.24	.370	9.40
31P, 31S	1.380	35.05	.370	9.40
37P, 37S	1.530	38.86	.370	9.40

Layout	A Max.		B Max.	
	In.	mm.	In.	mm.
51P, 51S	1.480	37.59	.410	10.41
51-2P, 51-2S	1.880	47.75	.370	9.40
67P, 67S	2.770	70.36	.370	9.40
69P, 69S	1.780	45.21	.410	10.41
100P, 100S	2.215	56.26	.460	11.68

Standard material contains trace amounts of sulfur (a vulcanizing agent) which is known to contribute to degradation/corrosion of silver plated components such as braid, etc. Specify MOD Code suffix -675 for sulfur-free material.



PRODUCT FEATURES

- Split and Solid Backshell Assembly Designs
- Mechanical and Electrical Integrity Maintained by Backshell Entrapment of Connectors
- Lightweight Aluminum Construction
- All Standard Materials and Finishes Available
- Passivated Stainless Steel Backshell Hardware

Selection of Rectangular Backshell Assemblies Designed for MIL-DTL-83527/A, Radiall, Hughes MRS, Boeing and Amphenol Connectors

This section features a selection of split and solid Multiple and Single-Entry Backshell Assemblies designed for various connectors such as MIL-C-83527/A; Radiall 617 610 058 & -059; Radiall EPX2 Non-Environmental; Radiall EPXB; Radiall 617 610 100; Radiall 617 610 127 (EPXP Type); Hughes MRS; Boeing BACC65; Hughes RA (M28840/4, Dash Numbers 2 & 5; Amphenol 126-20753, Dash Numbers 2 & 5, 126-20910, 126-20913 and 126-20914.

Made from lightweight aluminum alloy, the backshells are available in a full range of standard finishes. Please consult factory for custom finish options. Backshell hardware is passivated stainless steel. Some designs ship with an RFI-EMI Gasket.



527-002 Split Backshell with Strain-Relief for MIL-DTL-83527/A Connectors

527-002 A08 C12 D12 NF

Basic Part No. _____

Entry Location (A, B, C, D, E, F, G, H) _____
and Dash No. (Table I) - Note: 3 Entry Combinations Maximum

Finish (Table II), Omit for Standard _____

1. Metric dimensions (mm) are indicated in parentheses.
2. Material/Finish:
Backshell = Al Alloy/See Table II
Hardware = SST/Passivate
Gasket = Metalastic/N.A.

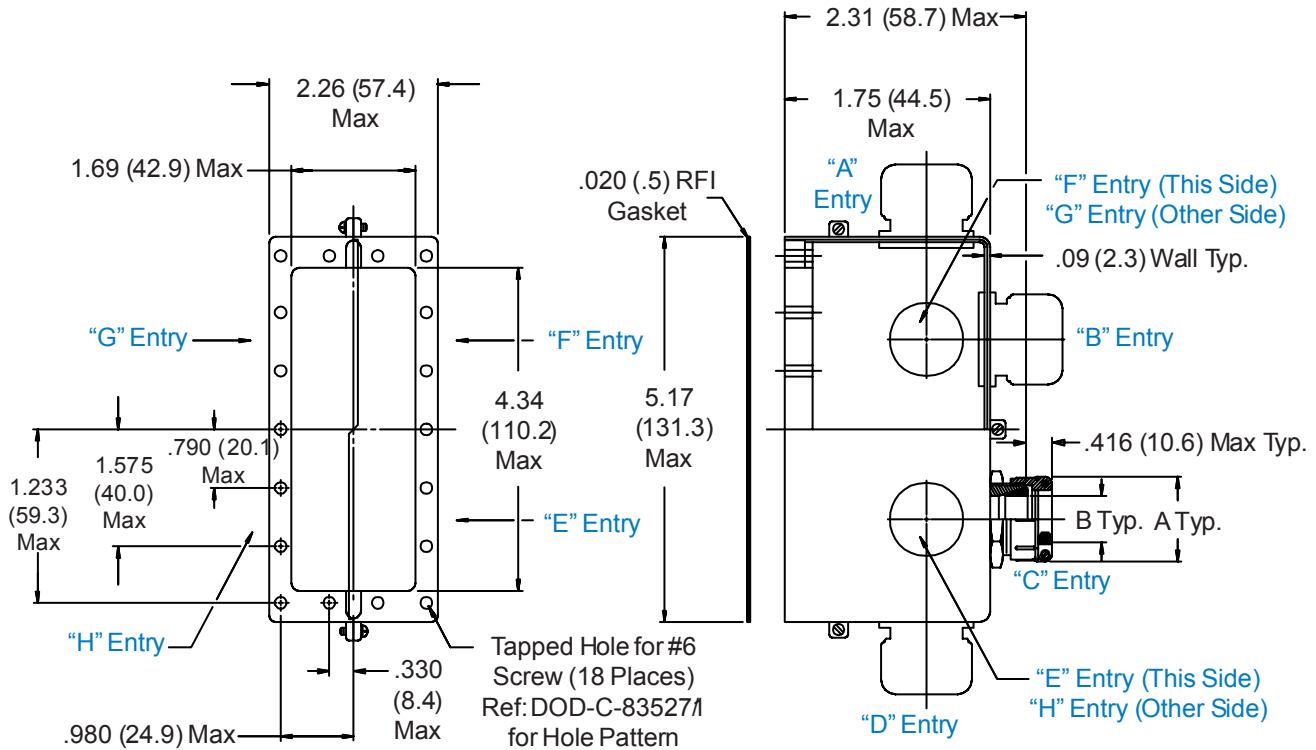


TABLE I: CABLE ENTRY				
Dash No.	A Max	B Cable Range		
		Min	Max	Max
02	.968 (24.6)	.125 (3.2)	.250 (6.4)	.250 (6.4)
03	1.046 (26.6)	.250 (6.4)	.375 (9.5)	.375 (9.5)
04	1.156 (29.4)	.312 (7.9)	.500 (12.7)	.500 (12.7)
05	1.218 (30.9)	.437 (11.1)	.625 (15.9)	.625 (15.9)
06	1.343 (34.1)	.562 (14.3)	.750 (19.1)	.750 (19.1)
07	1.468 (37.3)	.680 (17.3)	.875 (22.2)	.875 (22.2)
08	1.593 (40.5)	.812 (20.6)	1.000 (25.4)	1.000 (25.4)

TABLE II: FINISH OPTIONS	
Symbol	Finish
B	Cadmium Plate, Olive Drab
J	Iridite, Gold Over Cadmium Plate over Nickel
M	Electroless Nickel
N	Cadmium Plate, Olive Drab, Over Nickel
NF	Cadmium Plate, Olive Drab, Over Electroless Nickel (500 Hour Salt Spray)
Standard	Cadmium Plate, Bright Dip Over Nickel (500 Hour Salt Spray)

**CONSULT FACTORY FOR
OTHER AVAILABLE FINISHES**

527-169 EMI/RFI Banding Backshell Assembly for Radiall 617 610-058 & -059 Connectors



Miscellaneous
Rectangular
Backshells

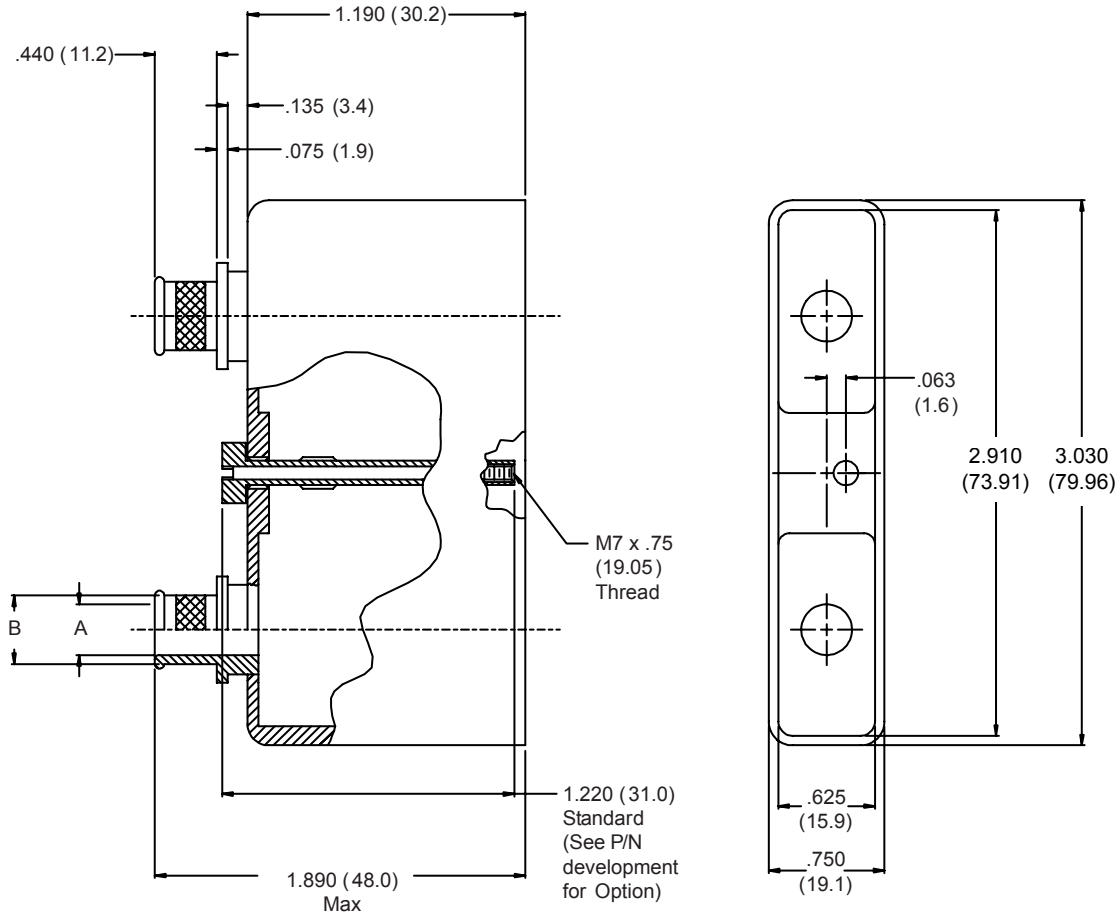
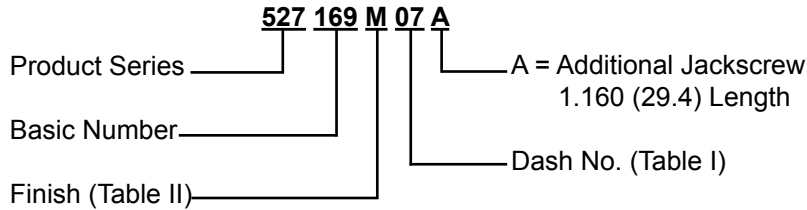


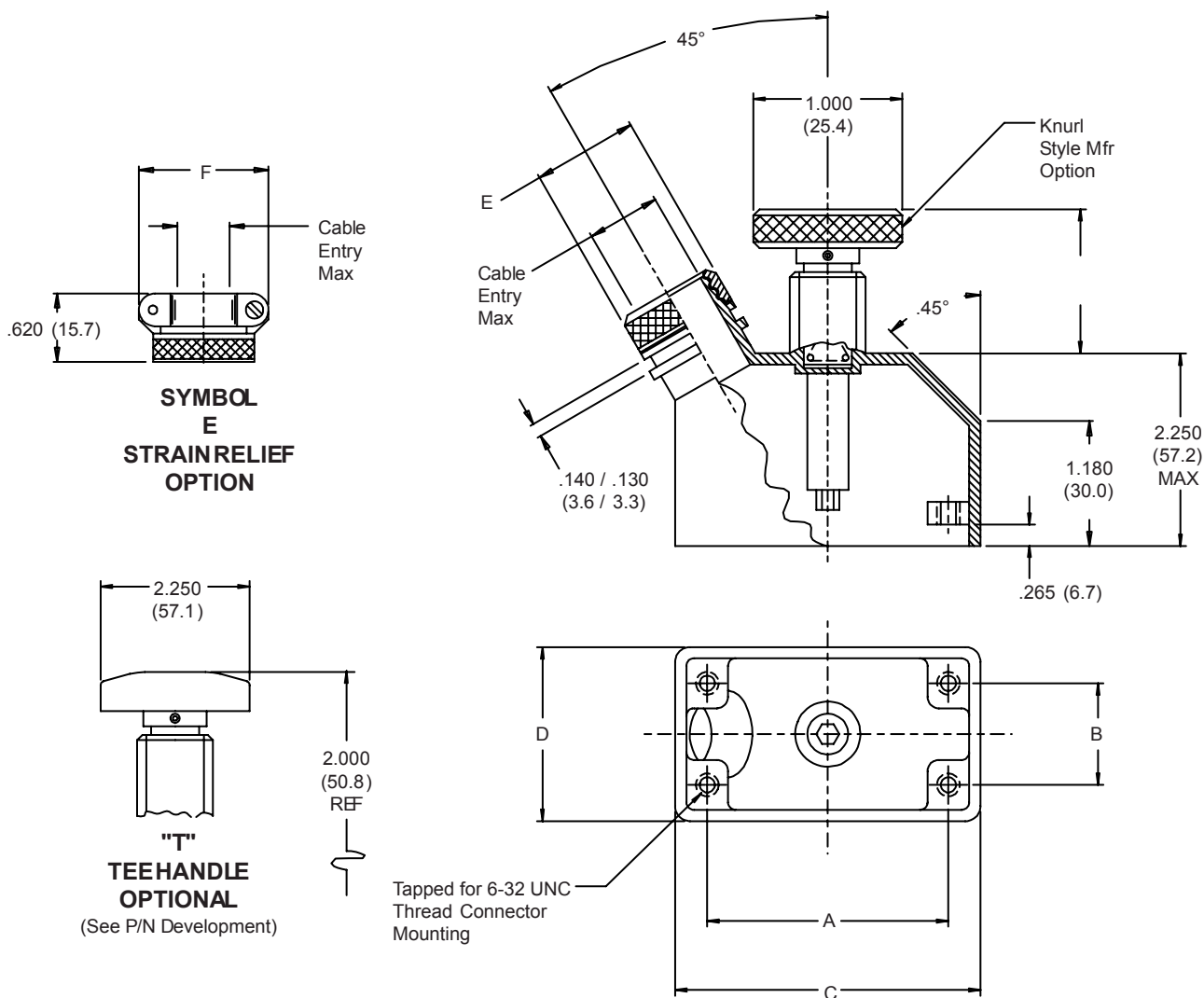
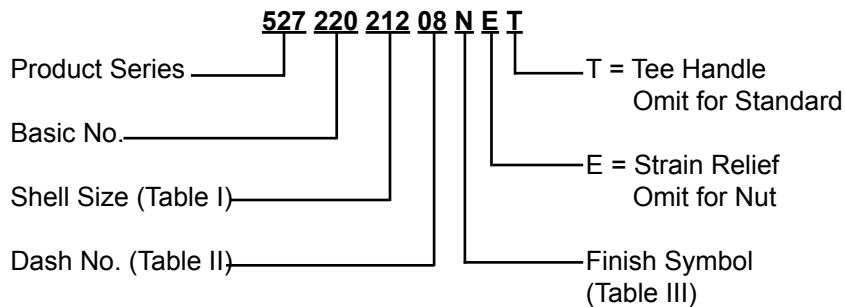
TABLE I: CABLE ENTRY			
Dash No.	A	B	
06	.375 (9.5)	500 (12.7)	
07	.437 (11.1)	.562 (14.3)	
08	.500 (12.7)	.625 (15.9)	

TABLE II: FINISH OPTIONS			
Symbol	Finish	Symbol	Finish
B	Cadmium Plate/Olive Drab	NC	Zinc Cobalt/Dark Olive Drab
C*	Black Anodize	NF	Cadmium Plate/Olive Drab over Electroless Nickel
G*	Anodic Hard Coat	T	Cadmium Plate/Bright over Electroless Nickel
J	Gold Iridite over Cadmium Plate over Electroless Nickel	U**	Cadmium Plate/Black
LF	Cadmium Plate/Bright over Electroless Nickel	ZN	Zinc-Nickel Alloy/Olive Drab
M	Electroless Nickel		
N	Cadmium Plate/Olive Drab over Electroless Nickel		

*Anodize finish is not suitable for EMI shielding or grounding applications.
**Applicable to corrosion resisting steel backshells and accessories. Consult factory for other available finishes.

Metric dimensions (mm) are indicated in parentheses.

527-220 Strain-Relief Backshell for Hughes MRS Connectors



Metric dimensions (mm) are indicated in parentheses.

527-220
Strain-Relief Backshell
for Hughes MRS Connectors



Miscellaneous
Rectangular
Backshells

TABLE I: CONNECTOR INTERFACE DIMENSIONS

Shell Size	A	B	C ±.031 (.8)	D ±.031 (.8)	MAX DASH NO TABLE II
020	1.300 (33.0)	0	1.858 (47.2)	1.013 (25.7)	06
036	1.750 (44.5)	0	2.308 (58.6)	1.013 (25.7)	06
052	1.900 (48.3)	.550 (14.0)	2.458 (62.4)	1.293 (32.8)	08
080	2.045 (51.9)	.812 (20.6)	2.603 (66.1)	1.542 (39.2)	10
158	2.500 (63.5)	1.250 (31.8)	3.062 (77.8)	2.047 (52.0)	10
212	2.500 (63.5)	1.850 (47.0)	3.062 (77.8)	2.573 (65.4)	10

TABLE II: CABLE ENTRY

Dash No	E MAX	F MAX	CABLE ENTRY MAX
01	.448 (11.4)	.781 (19.8)	.125 (3.2)
02	.515 (13.1)	.968 (24.6)	.250 (6.4)
03	.640 (16.3)	1.046 (26.6)	.375 (9.5)
04	.765 (19.4)	1.156 (29.4)	.500 (12.7)
05	.920 (23.4)	1.219 (31.0)	.625 (15.9)
06	1.015 (25.8)	1.343 (34.1)	.750 (19.1)
07	1.140 (29.0)	1.469 (37.3)	.875 (22.2)
08	1.265 (32.1)	1.594 (40.5)	1.000 (25.4)
09	1.432 (36.4)	1.719 (43.7)	1.125 (28.6)
10	1.515 (38.5)	1.844 (46.8)	1.250 (31.8)

**TABLE III:
FINISH OPTIONS**

Symbol	Finish
B	Cadmium Plate/Olive Drab
C*	Black Anodize
G*	Anodic Hard Coat
J	Gold Iridite over Cadmium Plate over Electroless Nickel
LF	Cadmium Plate/Bright over Electroless Nickel
M	Electroless Nickel
N	Cadmium Plate/Olive Drab over Electroless Nickel
NC	Zinc Cobalt/Dark Olive Drab
NF	Cadmium Plate/Olive Drab over Electroless Nickel
T	Cadmium Plate/Bright over Electroless Nickel
U**	Cadmium Plate/Black
ZN	Zinc-Nickel Alloy/Olive Drab

*Anodize finish is not suitable for EMI shielding or grounding applications.

**Applicable to corrosion resisting steel backshells and accessories. Consult factory for other available finishes.

Metric dimensions (mm) are indicated in parentheses.

527-238

EMI/RFI Strain-Relief Backshell Assembly for Radial EPX2 Non-Environmental Connector

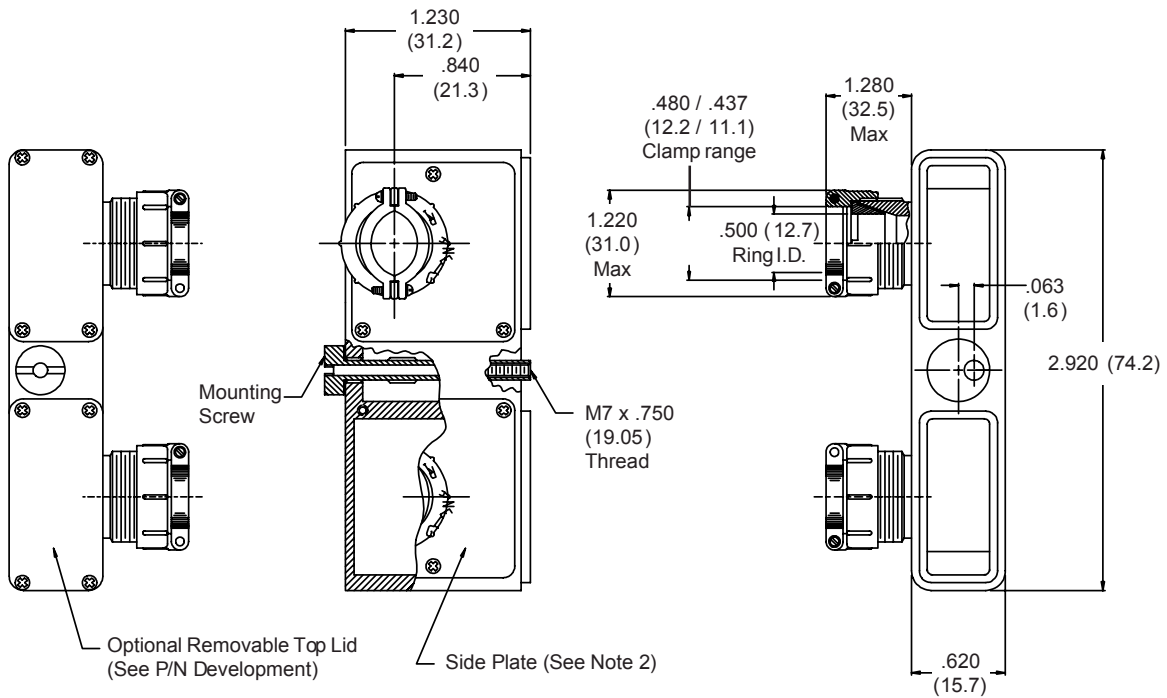
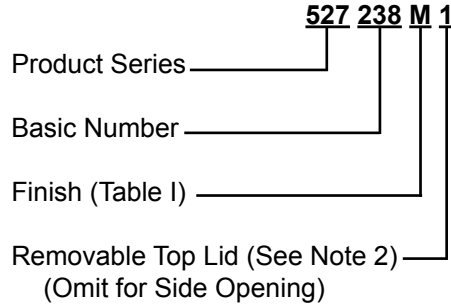


TABLE I: FINISH OPTIONS			
Symbol	Finish	Symbol	Finish
B	Cadmium Plate/Olive Drab	NC	Zinc Cobalt/Dark Olive Drab
C*	Black Anodize	NF	Cadmium Plate/Olive Drab over Electroless Nickel
G*	Anodic Hard Coat	T	Cadmium Plate/Bright over Electroless Nickel
J	Gold Iridite over Cadmium Plate over Electroless Nickel	U**	Cadmium Plate/Black
LF	Cadmium Plate/Bright over Electroless Nickel	ZN	Zinc-Nickel Alloy/Olive Drab
M	Electroless Nickel		
N	Cadmium Plate/Olive Drab over Electroless Nickel		

*Anodize finish is not suitable for EMI shielding or grounding applications.
**Applicable to corrosion resisting steel backshells and accessories. Consult factory for other available finishes.

NOTES:

1. Metric dimensions (mm) are indicated in parentheses.
2. Side Plate will not be removable with Top Lid Option.

527-243 EMI/RFI Strain-Relief Backshell Assembly for Radial EPX2 Non-Environmental Connector



Miscellaneous
Rectangular
Backshells

527 243 M

Product Series ————

Basic Number ————

Finish (Table I) ————

Omit for Standard "J" Finish

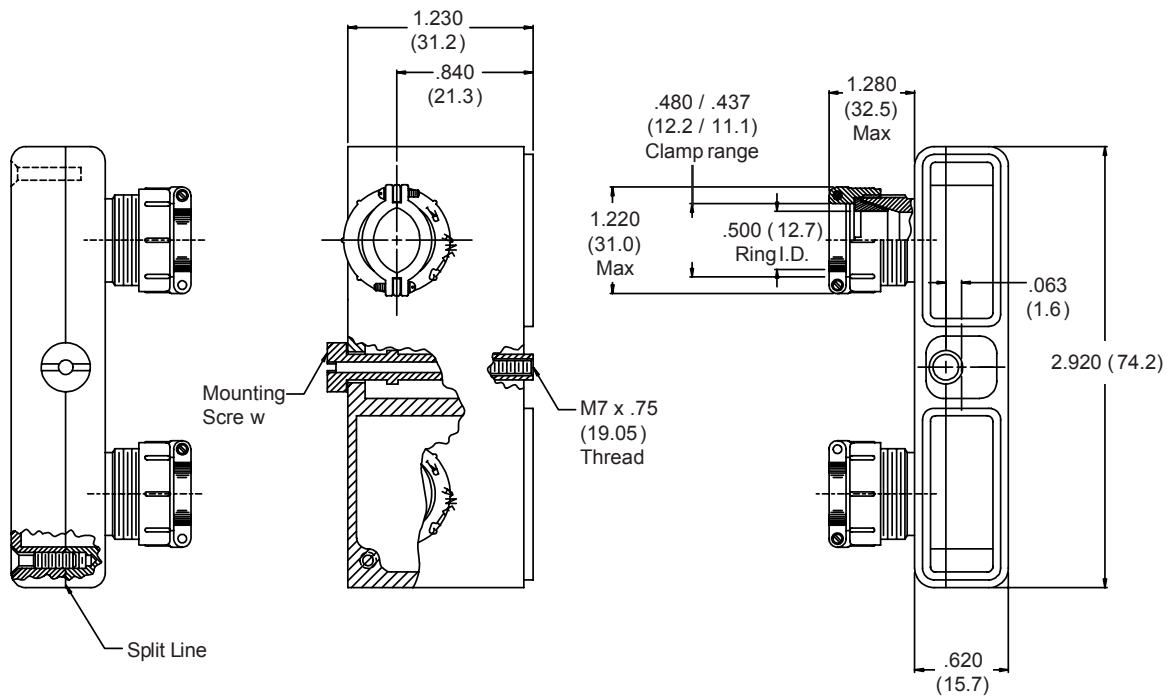


TABLE I: FINISH OPTIONS

Symbol	Finish	Symbol	Finish
B	Cadmium Plate/Olive Drab	NC	Zinc Cobalt/Dark Olive Drab
C*	Black Anodize	NF	Cadmium Plate/Olive Drab over Electroless Nickel
G*	Anodic Hard Coat	T	Cadmium Plate/Bright over Electroless Nickel
J	Gold Iridite over Cadmium Plate over Electroless Nickel	U**	Cadmium Plate/Black
LF	Cadmium Plate/Bright over Electroless Nickel	ZN	Zinc-Nickel Alloy/Olive Drab
M	Electroless Nickel		
N	Cadmium Plate/Olive Drab over Electroless Nickel		

*Anodize finish is not suitable for EMI shielding or grounding applications.
**Applicable to corrosion resisting steel backshells and accessories. Consult factory for other available finishes.

NOTES:

1. Metric dimensions (mm) are indicated in parentheses.
2. Backshell must be used in conjunction with Insert Retainer Plates.

527-251 EMI-RFI Banding Backshell Assembly for Boeing BACC65 Connector

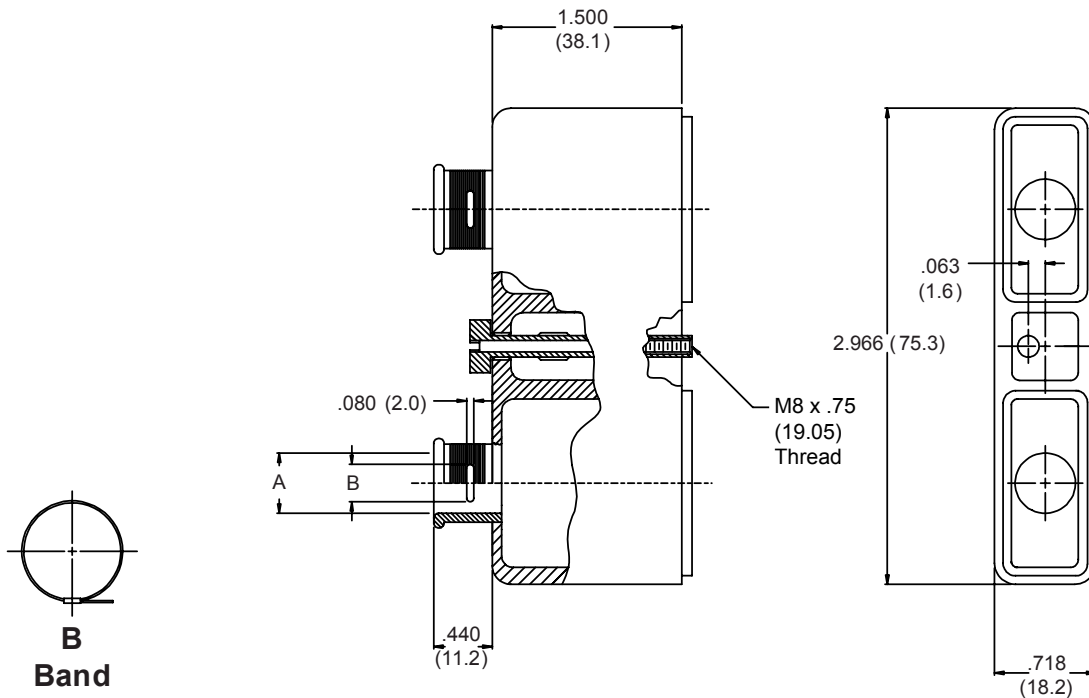
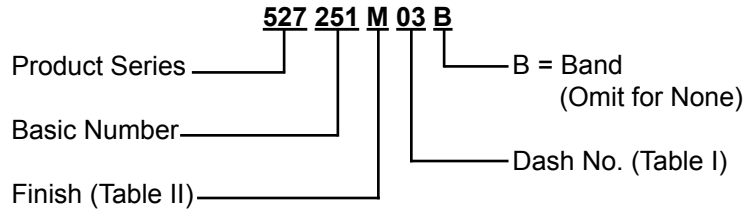


TABLE I: CABLE ENTRY					
Dash No.	A		B Dim		Number of Braid Slots
02	.250	(6.4)	.190	(4.8)	2
32	.312	(7.9)	.250	(6.4)	2
03	.375	(9.5)	.280	(7.1)	2
33	.438	(11.1)	.310	(7.9)	2
04	.500	(12.7)	.380	(9.7)	2

TABLE I: FINISH OPTIONS			
Symbol	Finish	Symbol	Finish
B	Cadmium Plate/Olive Drab	NC	Zinc Cobalt/Dark Olive Drab
C*	Black Anodize	NF	Cadmium Plate/Olive Drab over Electroless Nickel
G*	Anodic Hard Coat	T	Cadmium Plate/Bright over Electroless Nickel
J	Gold Iridite over Cadmium Plate over Electroless Nickel	U**	Cadmium Plate/Black
LF	Cadmium Plate/Bright over Electroless Nickel	ZN	Zinc-Nickel Alloy/Olive Drab
M	Electroless Nickel	*Anodize finish is not suitable for EMI shielding or grounding applications. **Applicable to corrosion resisting steel backshells and accessories. Consult factory for other available finishes.	
N	Cadmium Plate/Olive Drab over Electroless Nickel		

Metric dimensions (mm) are indicated in parentheses

527-254 EMI-RFI Strain-Relief Backshell Assembly for Boeing BACC65 Connector



Miscellaneous
Rectangular
Backshells

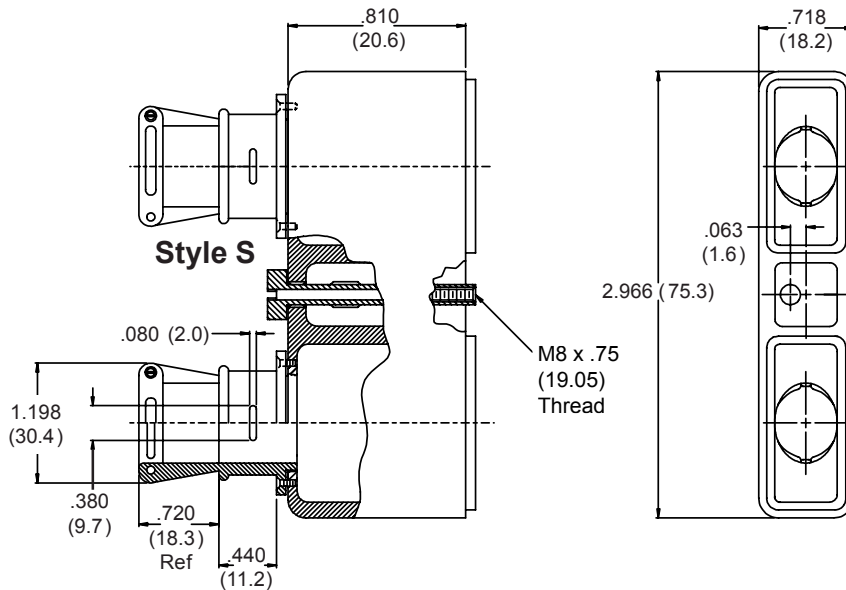
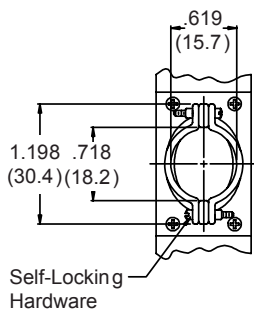
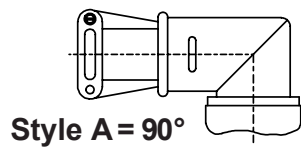
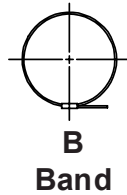
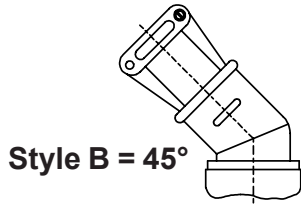
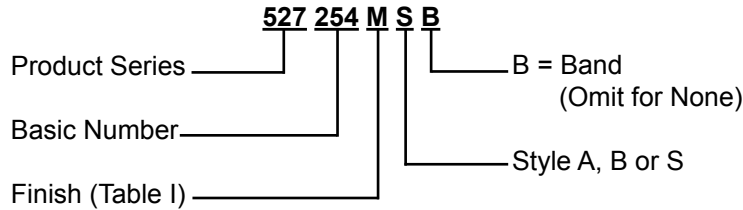


TABLE I: FINISH OPTIONS

Symbol	Finish	Symbol	Finish
B	Cadmium Plate/Olive Drab	NC	Zinc Cobalt/Dark Olive Drab
C*	Black Anodize	NF	Cadmium Plate/Olive Drab over Electroless Nickel
G*	Anodic Hard Coat	T	Cadmium Plate/Bright over Electroless Nickel
J	Gold Iridite over Cadmium Plate over Electroless Nickel	U**	Cadmium Plate/Black
LF	Cadmium Plate/Bright over Electroless Nickel	ZN	Zinc-Nickel Alloy/Olive Drab
M	Electroless Nickel	*Anodize finish is not suitable for EMI shielding or grounding applications.	
N	Cadmium Plate/Olive Drab over Electroless Nickel	**Applicable to corrosion resisting steel backshells and accessories. Consult factory for other available finishes.	

Metric dimensions (mm) are indicated in parentheses

527-255 EMI/RFI Strain-Relief Banding Backshell for Radial EPXB Connector

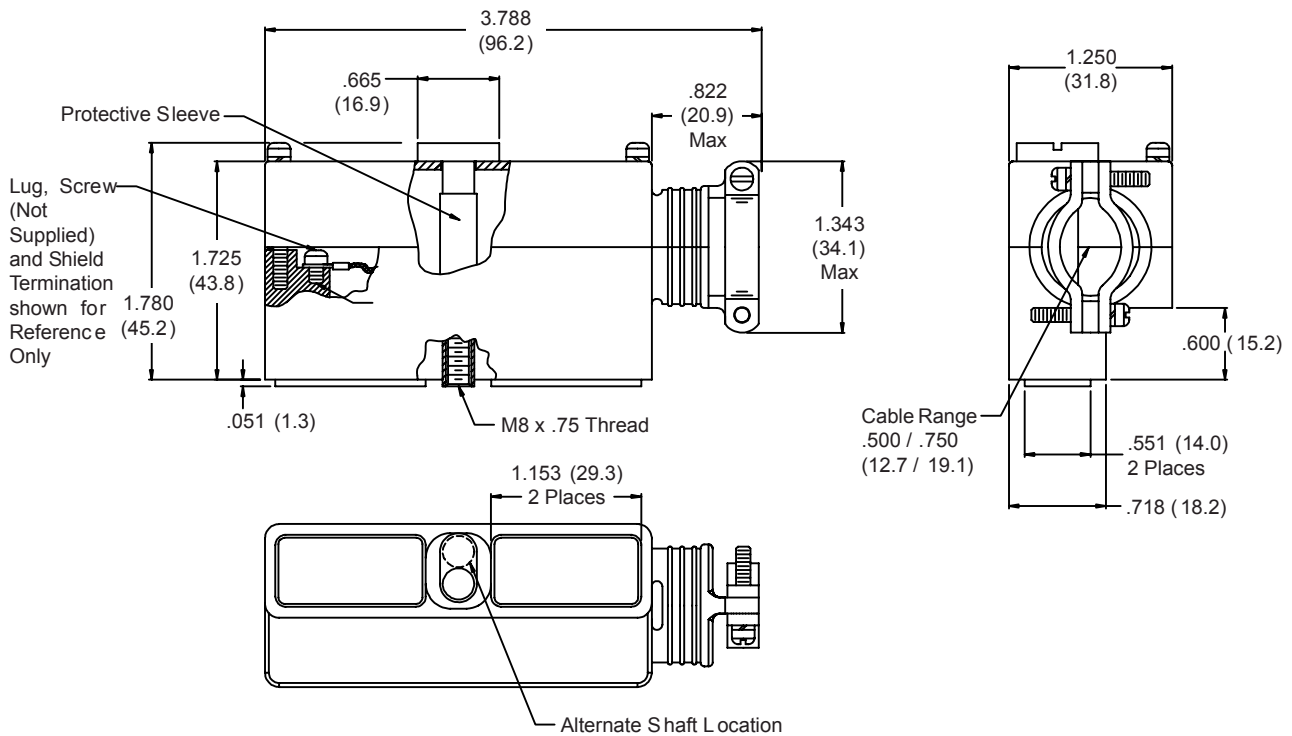
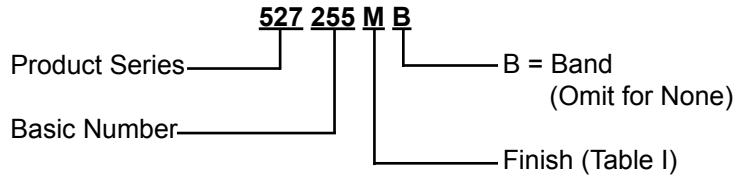


TABLE I: FINISH OPTIONS

Symbol	Finish	Symbol	Finish
B	Cadmium Plate/Olive Drab	NC	Zinc Cobalt/Dark Olive Drab
C*	Black Anodize	NF	Cadmium Plate/Olive Drab over Electroless Nickel
G*	Anodic Hard Coat	T	Cadmium Plate/Bright over Electroless Nickel
J	Gold Iridite over Cadmium Plate over Electroless Nickel	U**	Cadmium Plate/Black
LF	Cadmium Plate/Bright over Electroless Nickel	ZN	Zinc-Nickel Alloy/Olive Drab
M	Electroless Nickel		
N	Cadmium Plate/Olive Drab over Electroless Nickel		

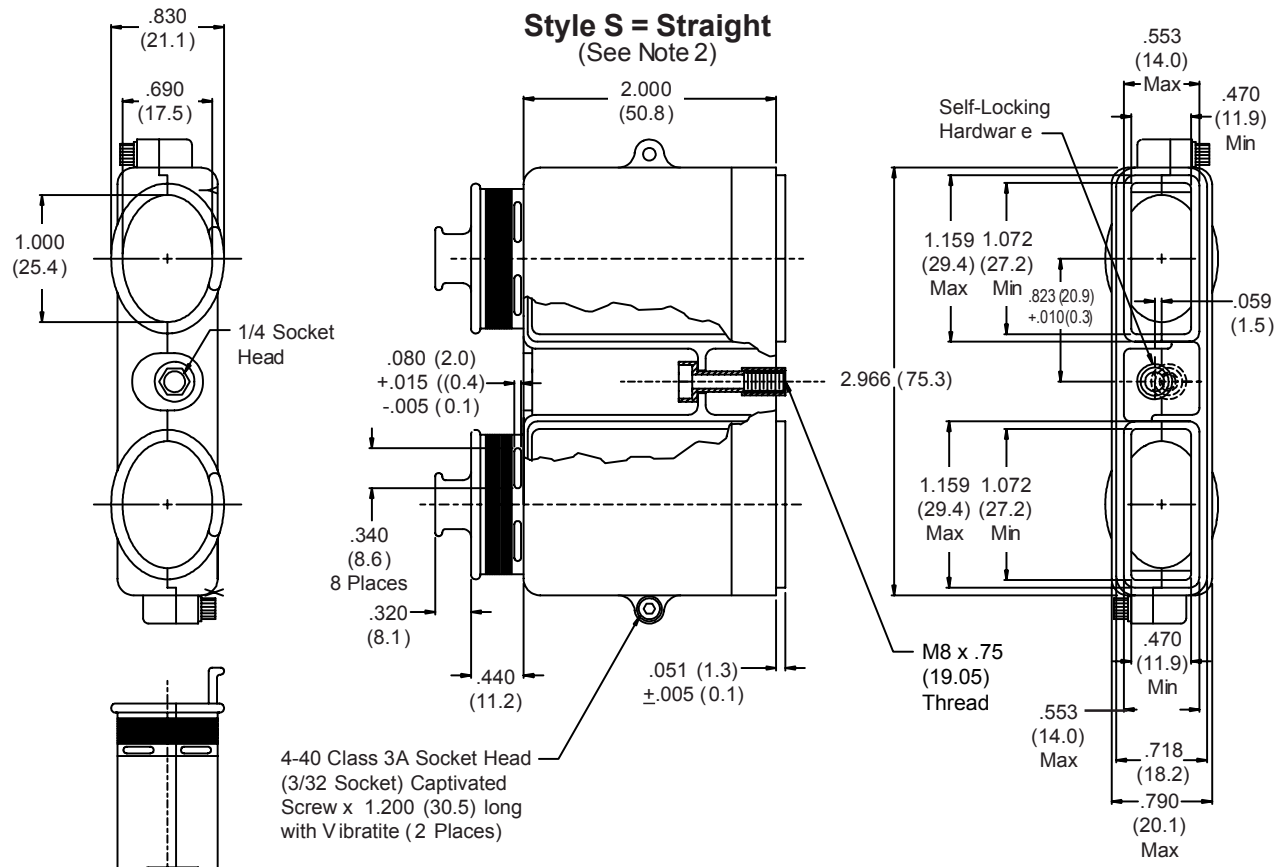
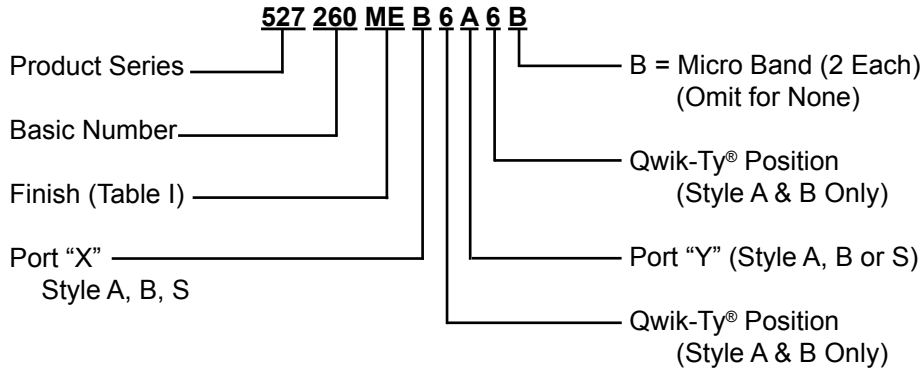
*Anodize finish is not suitable for EMI shielding or grounding applications.
**Applicable to corrosion resisting steel backshells and accessories. Consult factory for other available finishes.

Metric dimensions (mm) are indicated in parentheses

527-260 EMI/RFI Qwik-Ty® Elliptical Banding Backshell for Boeing BACC65 Connector



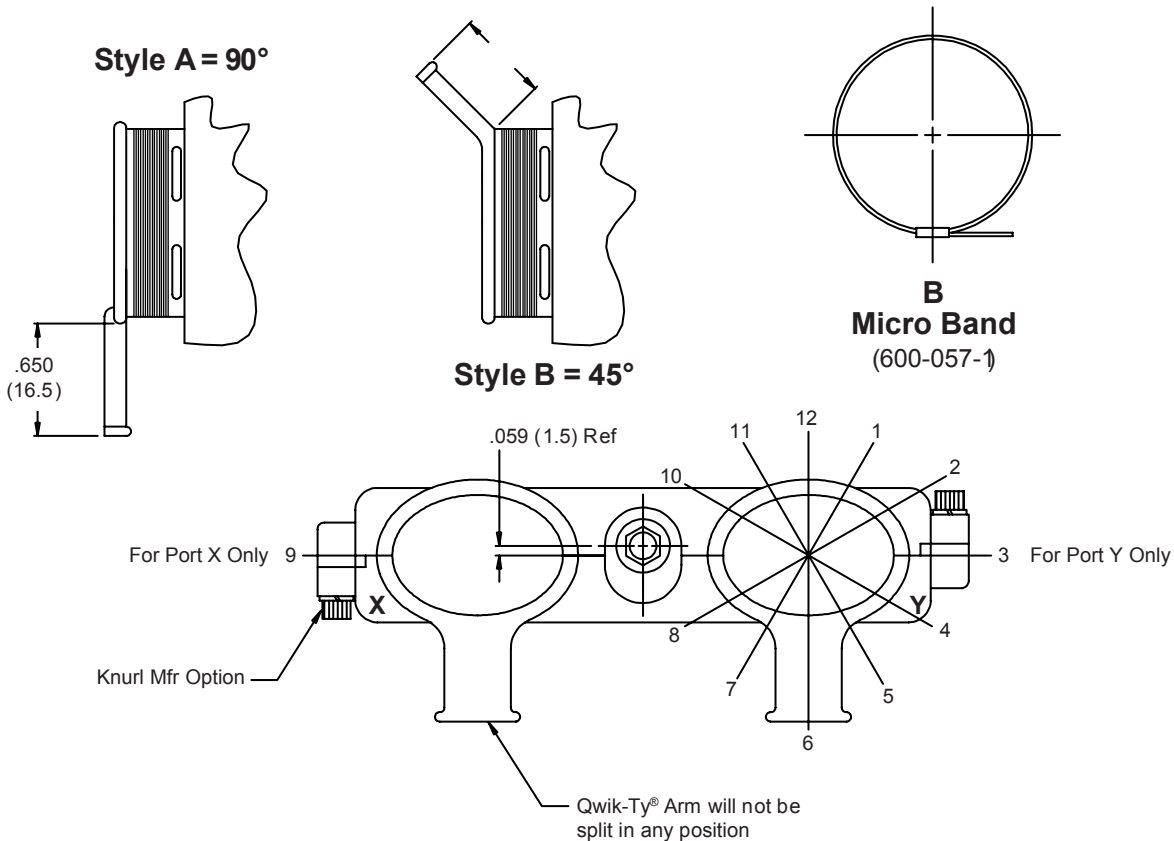
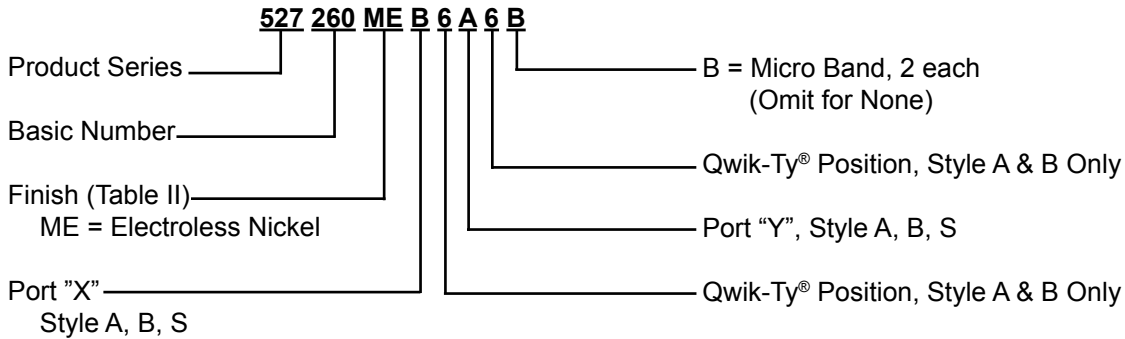
Miscellaneous
Rectangular
Backshells



- NOTES:**
1. Metric dimensions (mm) are indicated in parentheses.
 2. Straight Qwik-Ty® position for Port X & Y will be 6.

TABLE I: FINISH OPTIONS			
Symbol	Finish	Symbol	Finish
B	Cadmium Plate/Olive Drab	NC	Zinc Cobalt/Dark Olive Drab
C*	Black Anodize	NF	Cadmium Plate/Olive Drab over Electroless Nickel
G*	Anodic Hard Coat	T	Cadmium Plate/Bright over Electroless Nickel
J	Gold Iridite over Cadmium Plate over Electroless Nickel	U**	Cadmium Plate/Black
LF	Cadmium Plate/Bright over Electroless Nickel	ZN	Zinc-Nickel Alloy/Olive Drab
M	Electroless Nickel	*Anodize finish is not suitable for EMI shielding or grounding applications.	
N	Cadmium Plate/Olive Drab over Electroless Nickel	**Applicable to corrosion resisting steel backshells and accessories. Consult factory for other available finishes.	

527-260
EMI/RFI Qwik-Ty®
45° & 90° Elliptical Banding Backshell
for Boeing BACC65 Connector



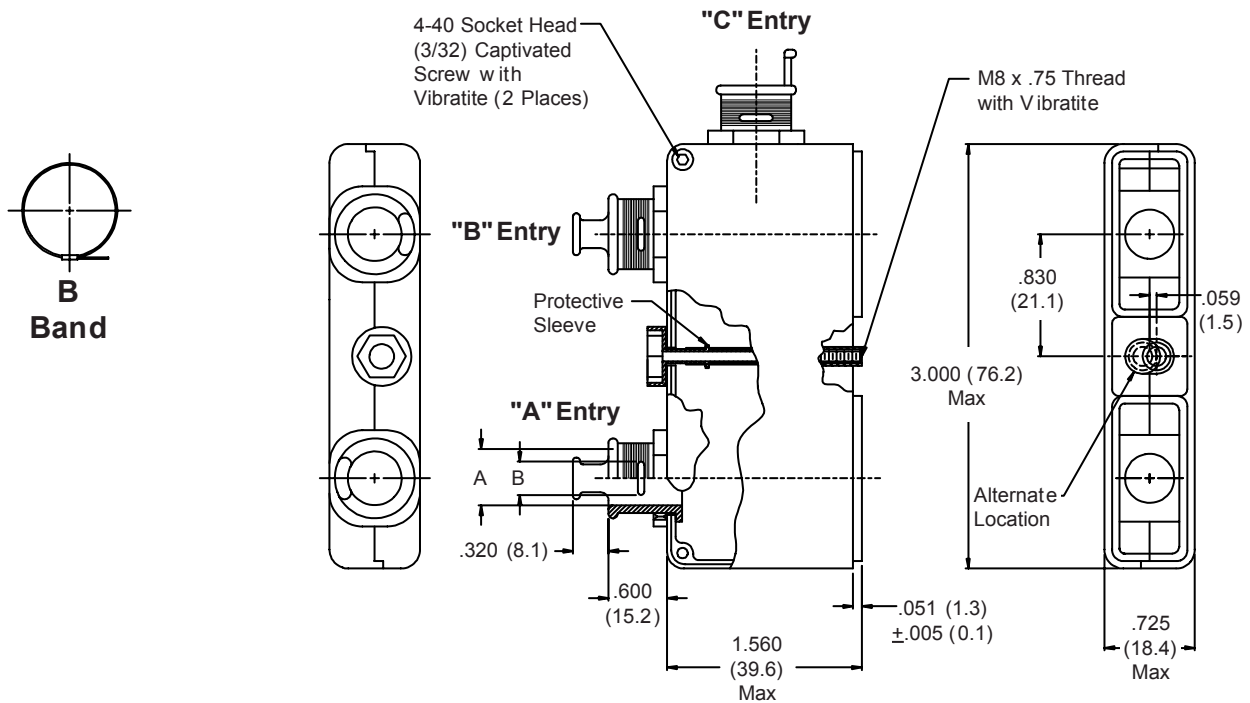
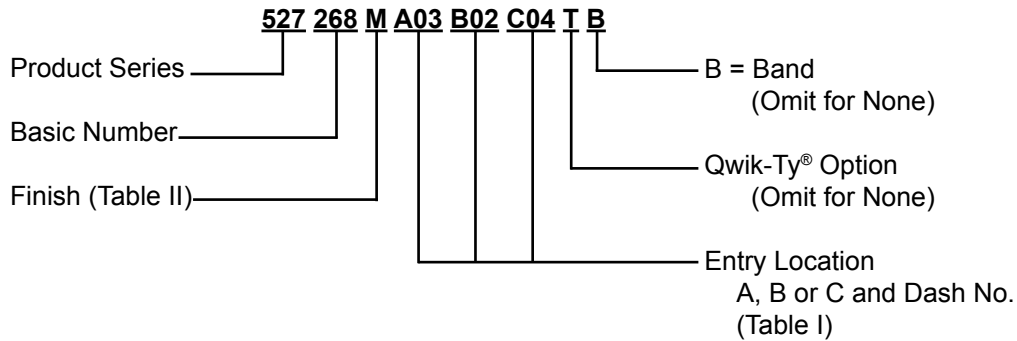
Symbol	Finish	Symbol	Finish
B	Cadmium Plate/Olive Drab	NC	Zinc Cobalt/Dark Olive Drab
C*	Black Anodize	NF	Cadmium Plate/Olive Drab over Electroless Nickel
G*	Anodic Hard Coat	T	Cadmium Plate/Bright over Electroless Nickel
J	Gold Iridite over Cadmium Plate over Electroless Nickel	U**	Cadmium Plate/Black
LF	Cadmium Plate/Bright over Electroless Nickel	ZN	Zinc-Nickel Alloy/Olive Drab
M	Electroless Nickel	*Anodize finish is not suitable for EMI shielding or grounding applications.	
N	Cadmium Plate/Olive Drab over Electroless Nickel	**Applicable to corrosion resisting steel backshells and accessories. Consult factory for other available finishes.	

Metric dimensions (mm) are indicated in parentheses

527-268
EMI-RFI Qwik-Ty® Banding Backshell
for Radial EPXB Connector



Miscellaneous
 Rectangular
 Backshells



**TABLE I:
 CABLE ENTRY**

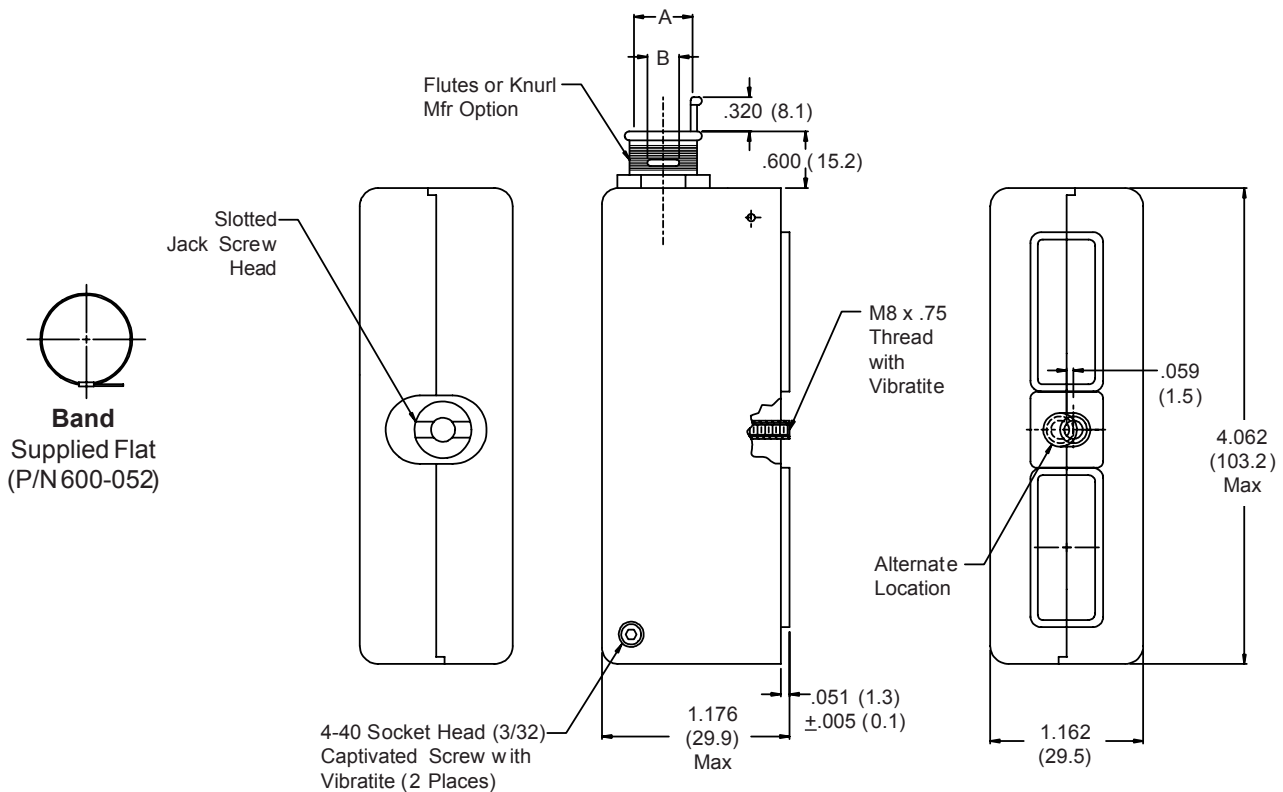
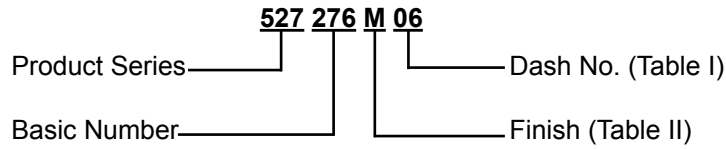
Dash No.	A	B Dim	Number of Braid Slots
02	.250 (6.4)	.190 (4.8)	2
03	.312 (7.9)	.250 (6.4)	2
04	.375 (9.5)	.281 (7.1)	2
05	.438 (11.1)	.312 (7.9)	2

TABLE II: FINISH OPTIONS

Symbol	Finish	Symbol	Finish
B	Cadmium Plate/Olive Drab	NC	Zinc Cobalt/Dark Olive Drab
C*	Black Anodize	NF	Cadmium Plate/Olive Drab over Electroless Nickel
G*	Anodic Hard Coat	T	Cadmium Plate/Bright over Electroless Nickel
J	Gold Iridite over Cadmium Plate over Electroless Nickel	U**	Cadmium Plate/Black
LF	Cadmium Plate/Bright over Electroless Nickel	ZN	Zinc-Nickel Alloy/Olive Drab
M	Electroless Nickel	*Anodize finish is not suitable for EMI shielding or grounding applications.	
N	Cadmium Plate/Olive Drab over Electroless Nickel	**Applicable to corrosion resisting steel backshells and accessories. Consult factory for other available finishes.	

Metric dimensions (mm) are indicated in parentheses

527-276 EMI/RFI Banding Backshell for Radial EPXB Connector



Dash No.	A	B Dim	Number of Braid Slots
02	.250 (6.4)	.190 (4.8)	2
03	.312 (7.9)	.250 (6.4)	2
04	.375 (9.5)	.280 (7.1)	2
05	.438 (11.1)	.310 (7.9)	2
06	.500 (12.7)	.380 (9.7)	2

Symbol	Finish	Symbol	Finish
B	Cadmium Plate/Olive Drab	NC	Zinc Cobalt/Dark Olive Drab
C*	Black Anodize	NF	Cadmium Plate/Olive Drab over Electroless Nickel
G*	Anodic Hard Coat	T	Cadmium Plate/Bright over Electroless Nickel
J	Gold Iridite over Cadmium Plate over Electroless Nickel	U**	Cadmium Plate/Black
LF	Cadmium Plate/Bright over Electroless Nickel	ZN	Zinc-Nickel Alloy/Olive Drab
M	Electroless Nickel		
N	Cadmium Plate/Olive Drab over Electroless Nickel		

*Anodize finish is not suitable for EMI shielding or grounding applications.
 **Applicable to corrosion resisting steel backshells and accessories. Consult factory for other available finishes.

Metric dimensions (mm) are indicated in parentheses

527-265
EMI/RFI Elliptical Qwik-Ty®
Straight Banding Backshell
for Boeing BACC65 and Radiall 617610100 Connectors



Miscellaneous
Rectangular
Backshells

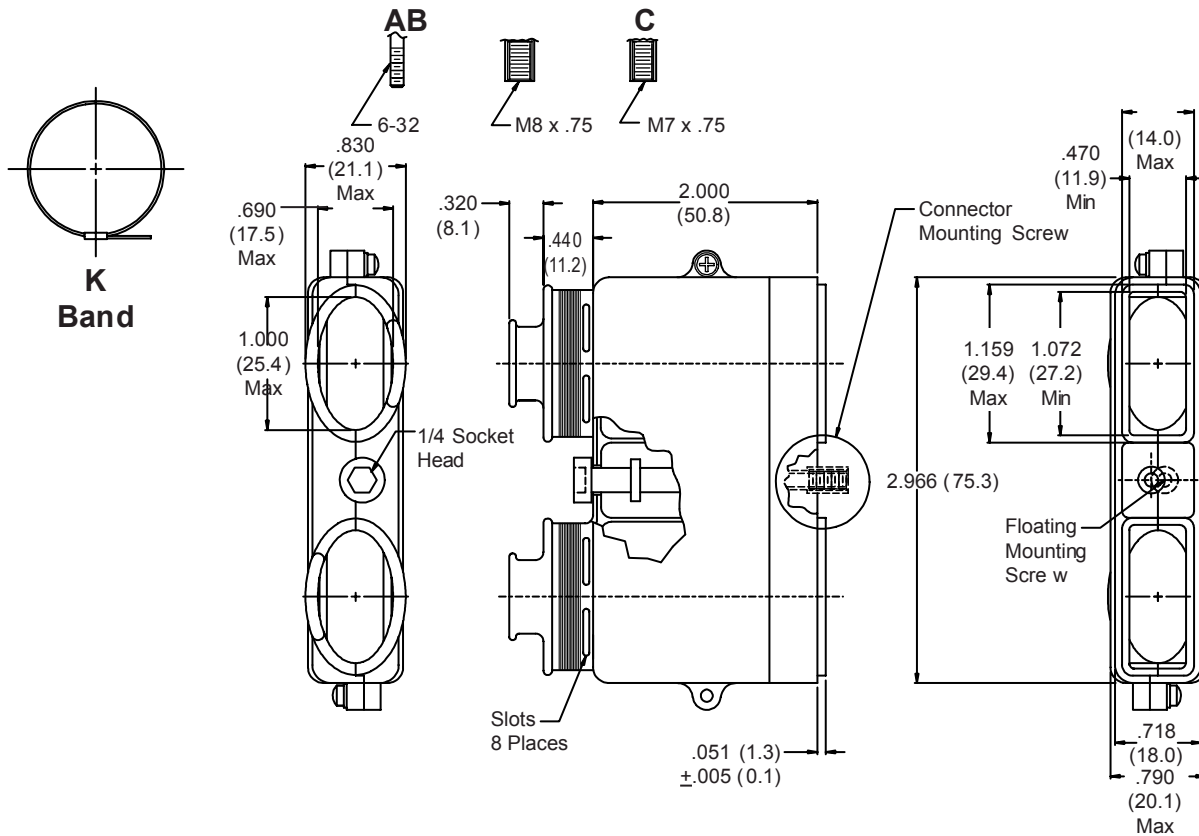
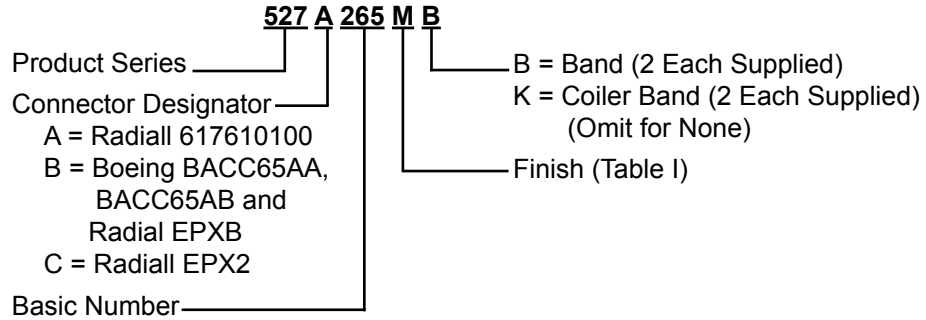


TABLE I: FINISH OPTIONS

Symbol	Finish	Symbol	Finish
B	Cadmium Plate/Olive Drab	NC	Zinc Cobalt/Dark Olive Drab
C*	Black Anodize	NF	Cadmium Plate/Olive Drab over Electroless Nickel
G*	Anodic Hard Coat	T	Cadmium Plate/Bright over Electroless Nickel
J	Gold Iridite over Cadmium Plate over Electroless Nickel	U**	Cadmium Plate/Black
LF	Cadmium Plate/Bright over Electroless Nickel	ZN	Zinc-Nickel Alloy/Olive Drab
M	Electroless Nickel	*Anodize finish is not suitable for EMI shielding or grounding applications. **Applicable to corrosion resisting steel backshells and accessories. Consult factory for other available finishes.	
N	Cadmium Plate/Olive Drab over Electroless Nickel		

Metric dimensions (mm) are indicated in parentheses

527-280 EMI/RFI Split Qwik-Ty® Banding Backshell for Radiall 617 610 127 (EPXB Type) Connector

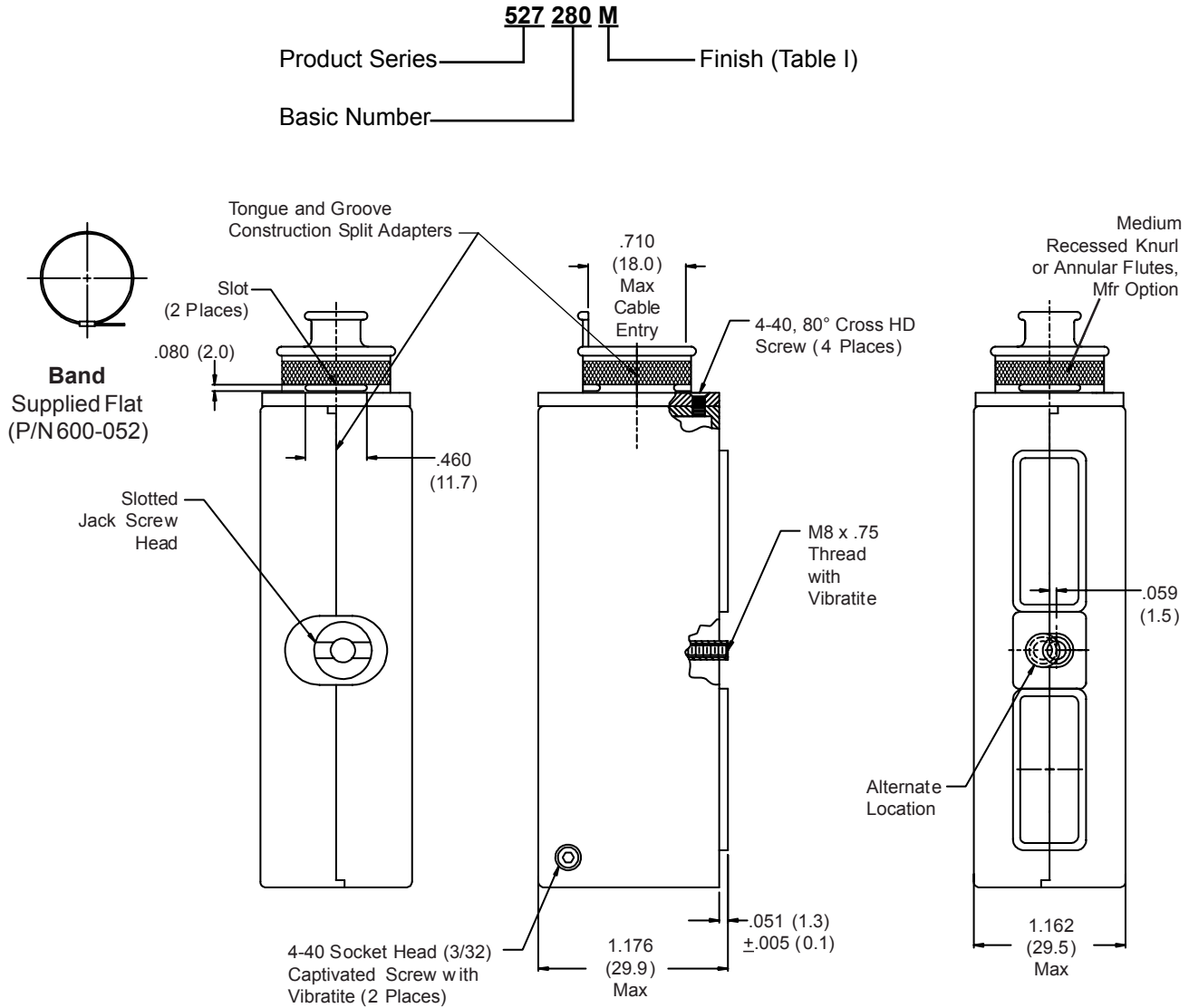


TABLE I: FINISH OPTIONS

Symbol	Finish	Symbol	Finish
B	Cadmium Plate/Olive Drab	NC	Zinc Cobalt/Dark Olive Drab
C*	Black Anodize	NF	Cadmium Plate/Olive Drab over Electroless Nickel
G*	Anodic Hard Coat	T	Cadmium Plate/Bright over Electroless Nickel
J	Gold Iridite over Cadmium Plate over Electroless Nickel	U**	Cadmium Plate/Black
LF	Cadmium Plate/Bright over Electroless Nickel	ZN	Zinc-Nickel Alloy/Olive Drab
M	Electroless Nickel	*Anodize finish is not suitable for EMI shielding or grounding applications.	
N	Cadmium Plate/Olive Drab over Electroless Nickel	**Applicable to corrosion resisting steel backshells and accessories. Consult factory for other available finishes.	

Metric dimensions (mm) are indicated in parentheses

527-281
EMI/RFI Qwik-Ty® Elliptical Banding Backshell
for Boeing BACC65 & Radial EPXB Connector



Miscellaneous
 Rectangular
 Backshells

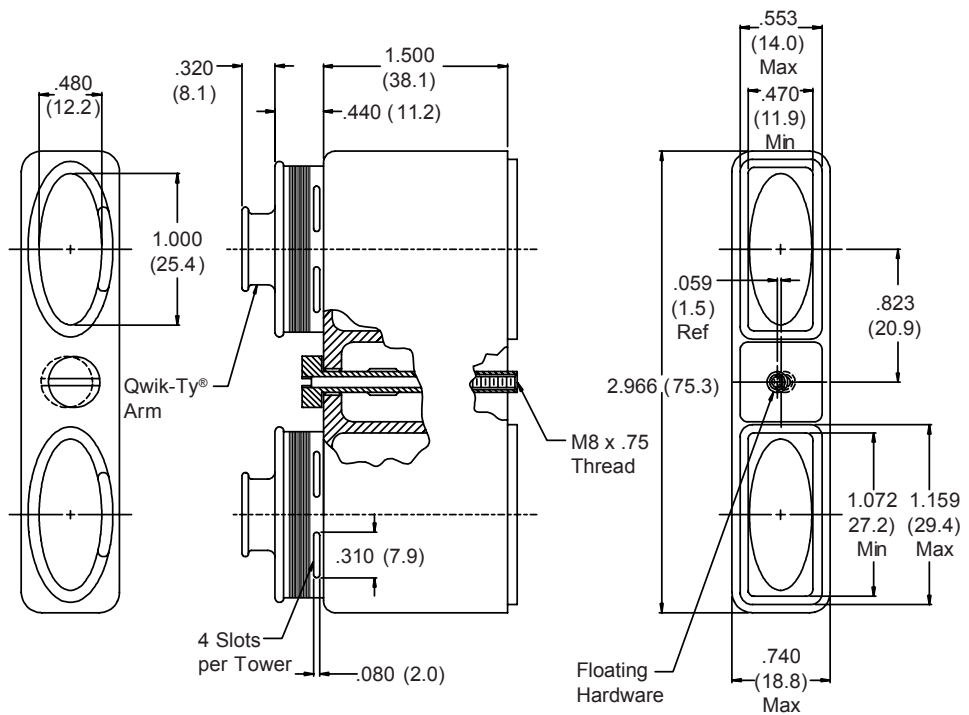
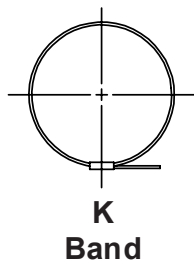
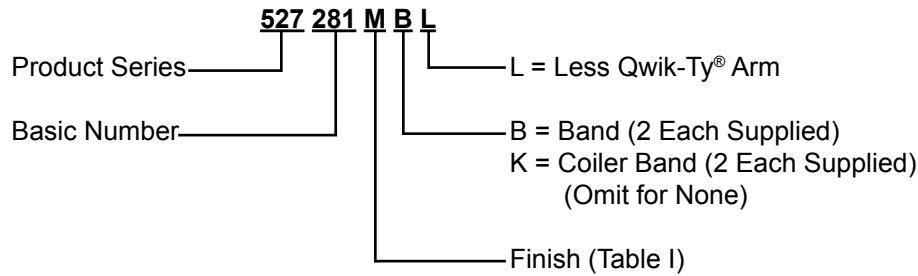
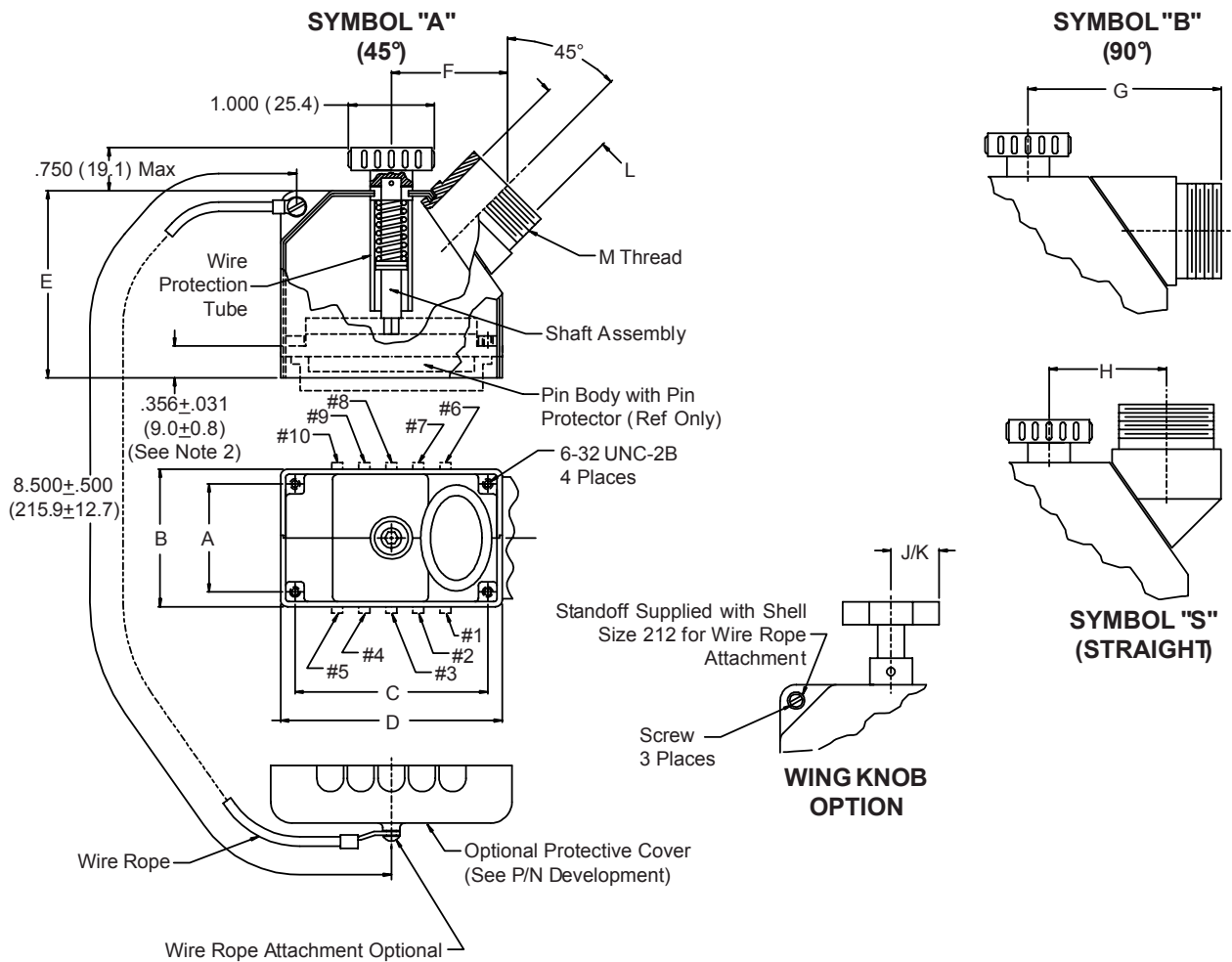
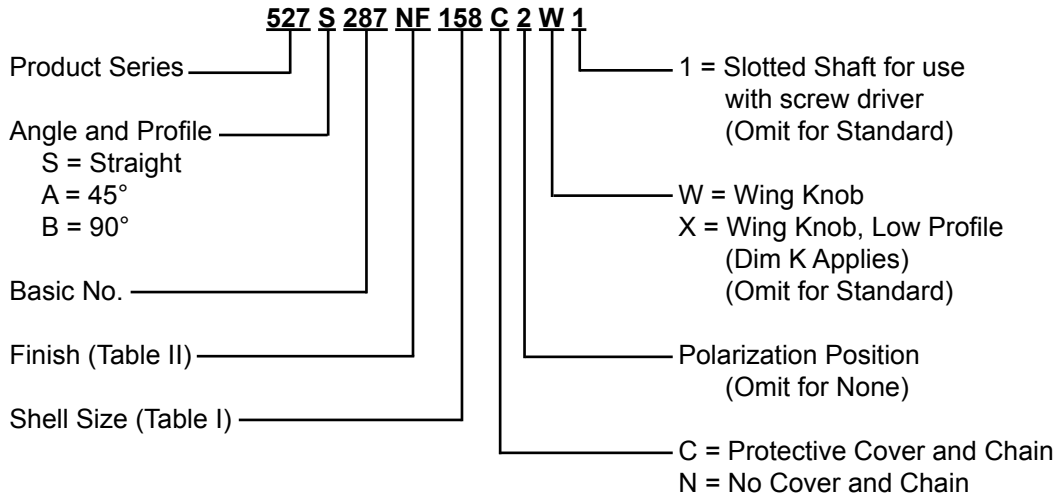


TABLE I: FINISH OPTIONS

Symbol	Finish	Symbol	Finish
B	Cadmium Plate/Olive Drab	NC	Zinc Cobalt/Dark Olive Drab
C*	Black Anodize	NF	Cadmium Plate/Olive Drab over Electroless Nickel
G*	Anodic Hard Coat	T	Cadmium Plate/Bright over Electroless Nickel
J	Gold Iridite over Cadmium Plate over Electroless Nickel	U**	Cadmium Plate/Black
LF	Cadmium Plate/Bright over Electroless Nickel	ZN	Zinc-Nickel Alloy/Olive Drab
M	Electroless Nickel	*Anodize finish is not suitable for EMI shielding or grounding applications.	
N	Cadmium Plate/Olive Drab over Electroless Nickel	**Applicable to corrosion resisting steel backshells and accessories. Consult factory for other available finishes.	

Metric dimensions (mm) are indicated in parentheses

527-287 Split Backshell Straight, 45°, & 90° Entry for Hughes MRS Pin Body Connectors



NOTES:

- NOTES:**
1. Metric dimensions (mm) are indicated in parentheses.
 2. Backshells to be used with Pin Body Connectors, Back-Mounted on .094 (2.4) Nominal Panel.

527-287
Split Backshell
Straight, 45°, & 90° Entry
for Hughes MRS Pin Body Connectors



Miscellaneous
Rectangular
Backshells

TABLE I: CONNECTOR INTERFACE DIMENSIONS (Continued Below)

Shell Size	A Dim	B Dim	C Dim	D Max Dim	E Max Dim	F Max Dim	G Max Dim	H Max Dim
20	0	1.090 (27.7)	1.300 (33.0)	1.940 (49.3)	3.000 (76.2)	2.000 (50.8)	1.880 (47.8)	2.000 (50.8)
36	0	1.090 (27.7)	1.750 (44.5)	2.390 (60.7)	3.000 (76.2)	2.000 (50.8)	1.880 (47.8)	2.000 (50.8)
52	.550 (14.0)	1.340 (34.0)	1.900 (48.3)	2.530 (64.3)	3.000 (76.2)	2.000 (50.8)	1.880 (47.8)	2.000 (50.8)
80	.812 (20.6)	1.620 (41.1)	2.045 (51.9)	2.680 (68.1)	3.000 (76.2)	2.000 (50.8)	1.880 (47.8)	2.000 (50.8)
104	.812 (20.6)	1.620 (41.1)	2.500 (63.5)	3.130 (79.5)	3.750 (95.3)	2.130 (54.1)	2.130 (54.1)	2.130 (54.1)
158	1.250 (31.8)	2.110 (53.6)	2.500 (63.5)	3.130 (79.5)	3.750 (95.3)	2.380 (60.5)	2.130 (54.1)	2.130 (54.1)
212	1.850 (47.0)	2.640 (67.1)	2.500 (63.5)	3.130 (79.5)	3.750 (95.3)	2.380 (60.5)	2.130 (54.1)	2.130 (54.1)

TABLE I: CABLE ENTRY (Continued)

Shell Size	J Dim	K Dim	L Dim	M Thread
20	.630 (16.0)	N/A	.500 (12.7)	.750 - 20 UNEF
36	.630 (16.0)	N/A	.500 (12.7)	.750 - 20 UNEF
52	.935 (23.7)	N/A	.625 (15.9)	.875 - 20 UNEF
80	.935 (23.7)	N/A	1.000 (25.4)	1.250 - 18 UNEF
104	.935 (23.7)	N/A	1.000 (25.4)	1.250 - 18 UNEF
158	.995 (25.3)	.935 (23.7)	1.250 (31.8)	1.500 - 18 UNEF
212	.995 (25.3)	N/A	1.250 (31.8)	1.500 - 18 UNEF

TABLE III: FINISH OPTIONS

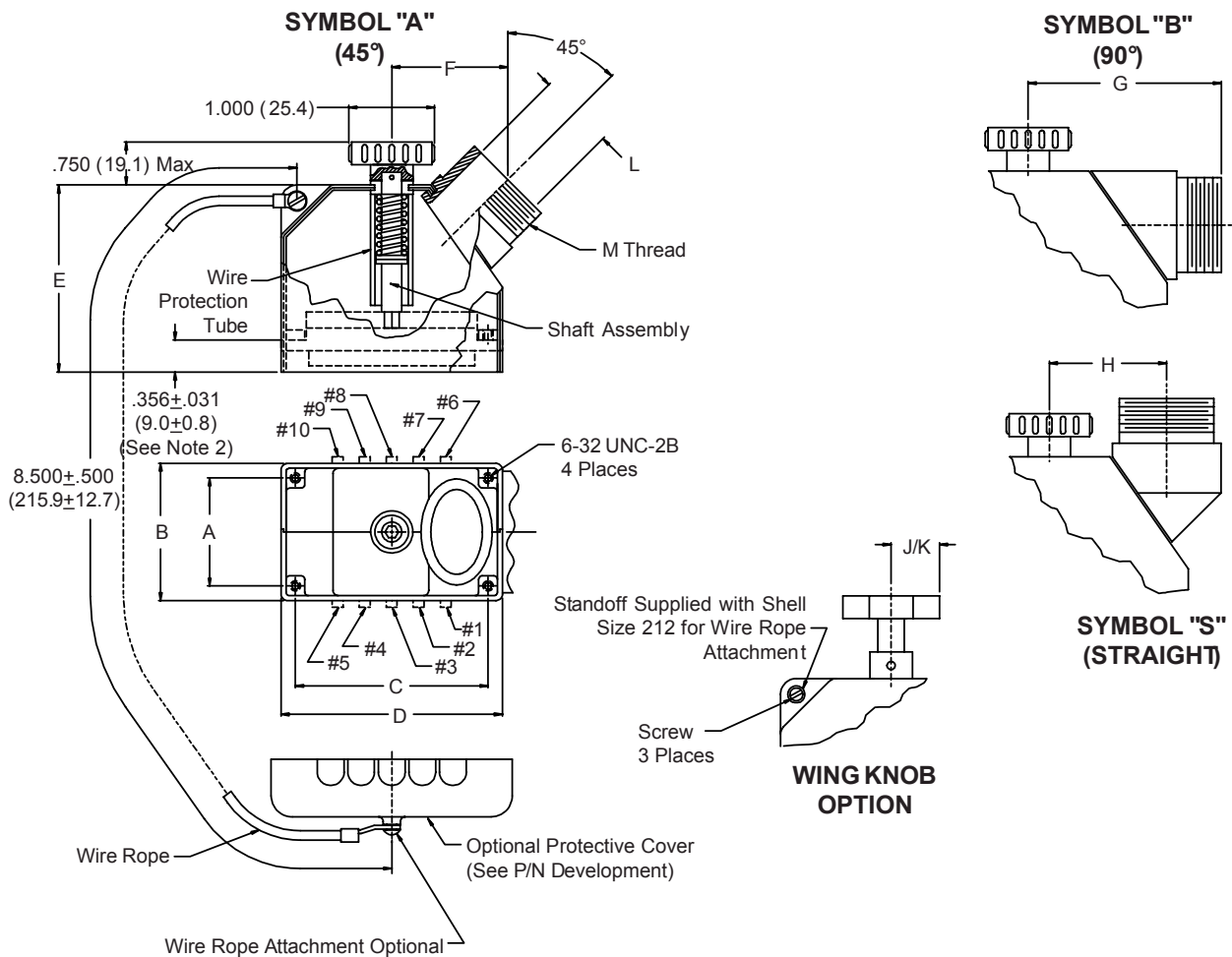
Symbol	Finish
B	Cadmium Plate/Olive Drab
C*	Black Anodize
G*	Anodic Hard Coat
J	Gold Iridite over Cadmium Plate over Electroless Nickel
LF	Cadmium Plate/Bright over Electroless Nickel
M	Electroless Nickel
N	Cadmium Plate/Olive Drab over Electroless Nickel
NC	Zinc Cobalt/Dark Olive Drab
NF	Cadmium Plate/Olive Drab over Electroless Nickel
T	Cadmium Plate/Bright over Electroless Nickel
U**	Cadmium Plate/Black
ZN	Zinc-Nickel Alloy/Olive Drab

*Anodize finish is not suitable for EMI shielding or grounding applications.
 **Applicable to corrosion resisting steel backshells and accessories. Consult factory for other available finishes.

Metric dimensions (mm) are indicated in parentheses.

527-288
Split Backshell
Straight, 45°, & 90° Entry
for Hughes MRS Pin Body Connectors

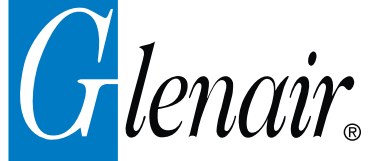
- 527 S 288 NF 158 C 2 W 1**
- Product Series _____
 - Angle and Profile _____
 S = Straight
 A = 45°
 B = 90°
 - Basic No. _____
 - Finish (Table II) _____
 - Shell Size (Table I) _____
 - _____ 1 = Slotted Shaft for use with screw driver (Omit for Standard)
 - _____ W = Wing Knob
 X = Wing Knob, Low Profile (Dim K Applies) (Omit for Standard)
 - _____ Polarization Position (Omit for None)
 - _____ C = Protective Cover and Chain
 N = No Cover and Chain



NOTES:
 1. Metric dimensions (mm) are indicated in parentheses.
 2. Backshells to be used with Pin Body Connectors, Back-Mounted on .094 (2.4) Nominal Panel.
 © 2011 Glenair, Inc. CAGE Code 06324

Printed in U.S.A.

527-288
Split Backshell
Straight, 45°, & 90° Entry
for Hughes MRS Pin Body Connectors



Miscellaneous
Rectangular
Backshells

TABLE I: CONNECTOR INTERFACE DIMENSIONS (Continued Below)

Shell Size	A Dim	B Dim	C Dim	D Max Dim	E Max Dim	F Max Dim	G Max Dim	H Max Dim
20	0	1.090 (27.7)	1.300 (33.0)	1.940 (49.3)	3.000 (76.2)	2.000 (50.8)	1.880 (47.8)	2.000 (50.8)
36	0	1.090 (27.7)	1.750 (44.5)	2.390 (60.7)	3.000 (76.2)	2.000 (50.8)	1.880 (47.8)	2.000 (50.8)
52	.550 (14.0)	1.340 (34.0)	1.900 (48.3)	2.530 (64.3)	3.000 (76.2)	2.000 (50.8)	1.880 (47.8)	2.000 (50.8)
80	.812 (20.6)	1.620 (41.1)	2.045 (51.9)	2.680 (68.1)	3.000 (76.2)	2.000 (50.8)	1.880 (47.8)	2.000 (50.8)
104	.812 (20.6)	1.620 (41.1)	2.500 (63.5)	3.130 (79.5)	3.750 (95.3)	2.130 (54.1)	2.130 (54.1)	2.130 (54.1)
158	1.250 (31.8)	2.110 (53.6)	2.500 (63.5)	3.130 (79.5)	3.750 (95.3)	2.380 (60.5)	2.130 (54.1)	2.130 (54.1)
212	1.850 (47.0)	2.640 (67.1)	2.500 (63.5)	3.130 (79.5)	3.750 (95.3)	2.380 (60.5)	2.130 (54.1)	2.130 (54.1)

TABLE I: CABLE ENTRY (Continued)

Shell Size	J Dim	K Dim	L Dim	M Thread
20	±.005 (0.1)	N/A	.500 (12.7)	.750 - 20 UNEF
36	.630 (16.0)	N/A	.500 (12.7)	.750 - 20 UNEF
52	.935 (23.7)	N/A	.625 (15.9)	.875 - 20 UNEF
80	.935 (23.7)	N/A	1.000 (25.4)	1.250 - 18 UNEF
104	.935 (23.7)	N/A	1.000 (25.4)	1.250 - 18 UNEF
158	.995 (25.3)	.935 (23.7)	1.250 (31.8)	1.500 - 18 UNEF
212	.995 (25.3)	N/A	1.250 (31.8)	1.500 - 18 UNEF

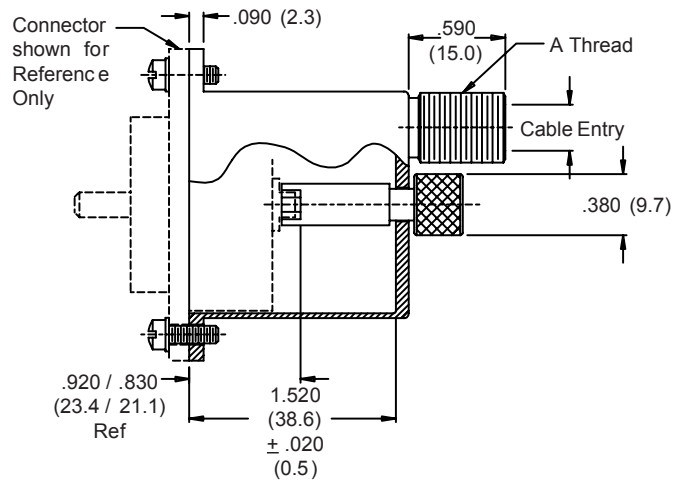
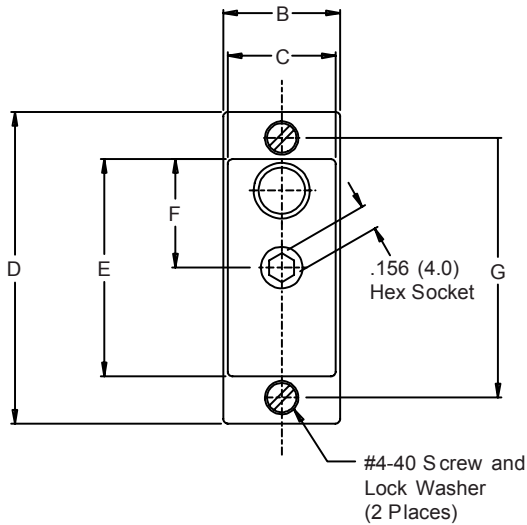
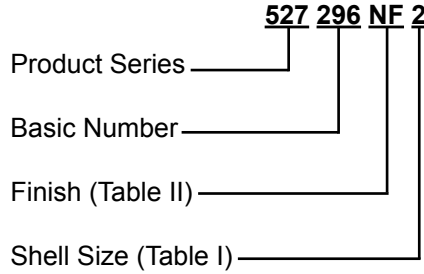
**TABLE III:
FINISH OPTIONS**

Symbol	Finish
B	Cadmium Plate/Olive Drab
C*	Black Anodize
G*	Anodic Hard Coat
J	Gold Iridite over Cadmium Plate over Electroless Nickel
LF	Cadmium Plate/Bright over Electroless Nickel
M	Electroless Nickel
N	Cadmium Plate/Olive Drab over Electroless Nickel
NC	Zinc Cobalt/Dark Olive Drab
NF	Cadmium Plate/Olive Drab over Electroless Nickel
T	Cadmium Plate/Bright over Electroless Nickel
U**	Cadmium Plate/Black
ZN	Zinc-Nickel Alloy/Olive Drab

*Anodize finish is not suitable for EMI shielding or grounding applications.
 **Applicable to corrosion resisting steel backshells and accessories. Consult factory for other available finishes.

Metric dimensions (mm) are indicated in parentheses.

527-296 Split Backshell with Accessory Thread for Hughes RA Connector M28804/4, Dash Numbers 2 & 5



**TABLE I: CONNECTOR INTERFACE
(Continued Below)**

Shell Size	A Thread Class 2A	B Dim	C Dim	D Max Dim
2	7/16 - 28 UNEF	.730 (18.5)	.648 (16.5)	1.950 (49.5)
5	3/4 - 20 UNEF	.910 (22.9)	.825 (21.0)	2.790 (70.9)

TABLE I: (Continued)

Shell Size	E Max Dim	F Max Dim	G Max Dim	Cable Entry Max
2	1.360 (34.5)	.680 (17.3)	1.625 (41.3)	.290 (7.4)
5	2.200 (55.9)	1.100 (27.9)	2.470 (62.7)	.550 (14.0)

**TABLE III:
FINISH OPTIONS**

Symbol	Finish
B	Cadmium Plate/Olive Drab
C*	Black Anodize
G*	Anodic Hard Coat
J	Gold Iridite over Cadmium Plate over Electroless Nickel
LF	Cadmium Plate/Bright over Electroless Nickel
M	Electroless Nickel
N	Cadmium Plate/Olive Drab over Electroless Nickel
NC	Zinc Cobalt/Dark Olive Drab
NF	Cadmium Plate/Olive Drab over Electroless Nickel
T	Cadmium Plate/Bright over Electroless Nickel
U**	Cadmium Plate/Black
ZN	Zinc-Nickel Alloy/Olive Drab

*Anodize finish is not suitable for EMI shielding or grounding applications.
**Applicable to corrosion resisting steel backshells and accessories. Consult factory for other available finishes.

Metric dimensions (mm) are indicated in parentheses.

527-297

Split Backshell

with Accessory Thread for Amphenol 126-20753, 2 & 5, 126-20910, 126-20913, and 126-20914 Connectors



Miscellaneous Rectangular Backshells

527 297 NF

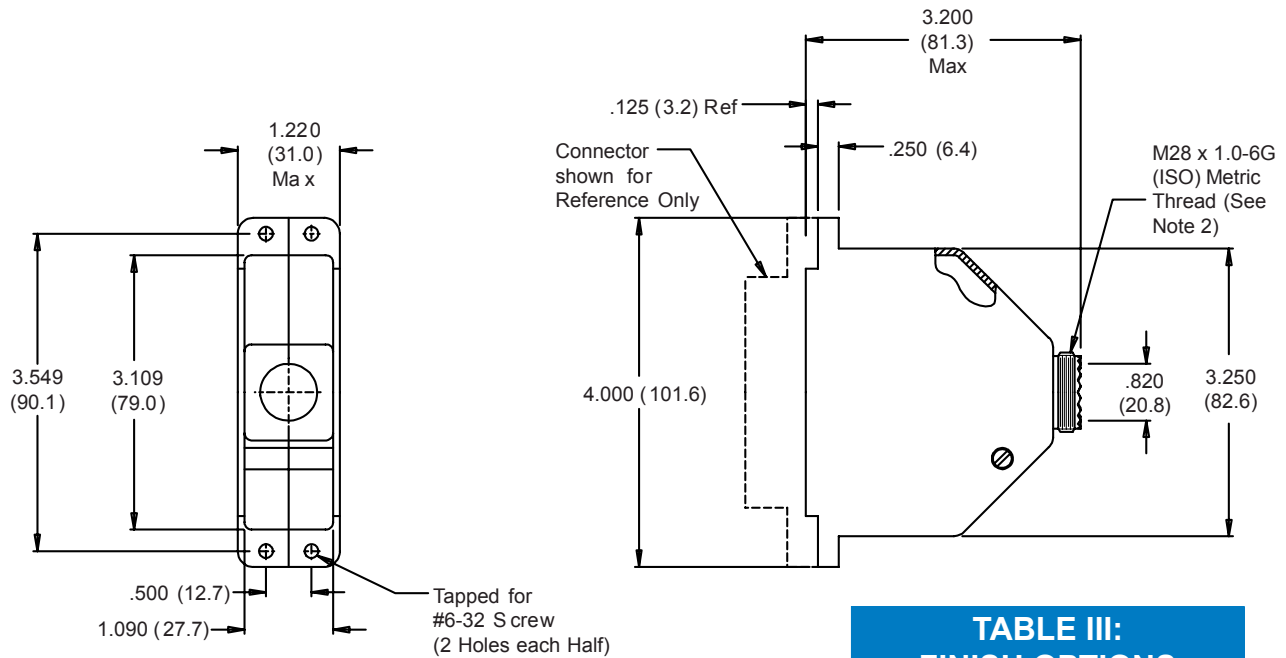
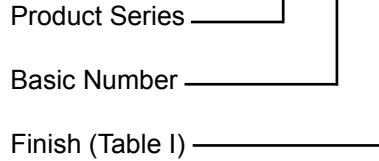


TABLE III: FINISH OPTIONS

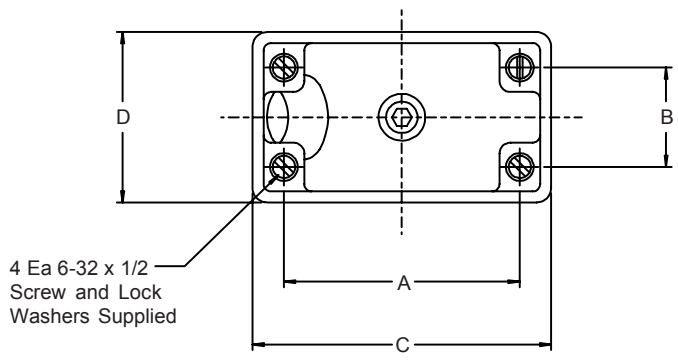
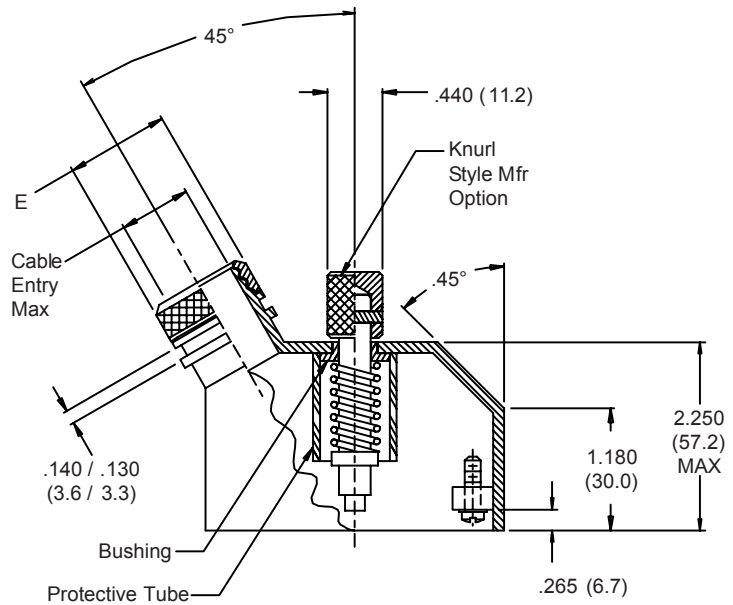
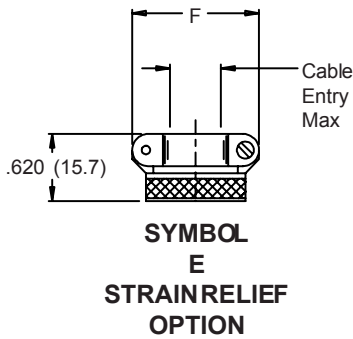
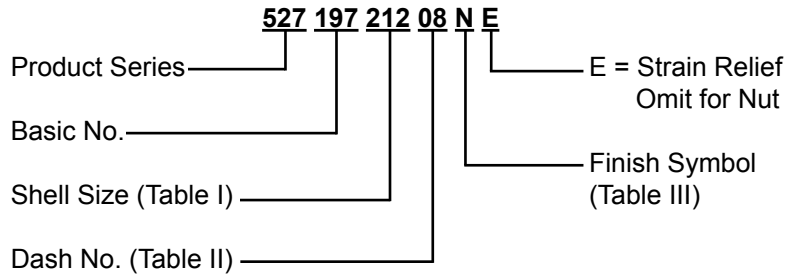
Symbol	Finish
B	Cadmium Plate/Olive Drab
C*	Black Anodize
G*	Anodic Hard Coat
J	Gold Iridite over Cadmium Plate over Electroless Nickel
LF	Cadmium Plate/Bright over Electroless Nickel
M	Electroless Nickel
N	Cadmium Plate/Olive Drab over Electroless Nickel
NC	Zinc Cobalt/Dark Olive Drab
NF	Cadmium Plate/Olive Drab over Electroless Nickel
T	Cadmium Plate/Bright over Electroless Nickel
U**	Cadmium Plate/Black
ZN	Zinc-Nickel Alloy/Olive Drab

*Anodize finish is not suitable for EMI shielding or grounding applications.
**Applicable to corrosion resisting steel backshells and accessories. Consult factory for other available finishes.

NOTES:

1. Metric dimensions (mm) are indicated in parentheses.
2. Back end adapter interface conforms to MIL-C-38999 Series III & IV, Shell Size 19.

527-197 Strain-Relief Backshell for Hughes MRS Connectors



Metric dimensions (mm) are indicated in parentheses.

527-197
Strain-Relief Backshell
for Hughes MRS Connectors



Miscellaneous
 Rectangular
 Backshells

TABLE I: CONNECTOR INTERFACE DIMENSIONS

Shell Size	A	B	C ±.031 (.8)	D ±.031 (.8)	MAX DASH NO TABLE II
020	1.300 (33.0)	0	1.858 (47.2)	1.013 (25.7)	06
036	1.750 (44.5)	0	2.308 (58.6)	1.013 (25.7)	06
052	1.900 (48.3)	.550 (14.0)	2.458 (62.4)	1.293 (32.8)	08
080	2.045 (51.9)	.812 (20.6)	2.603 (66.1)	1.542 (39.2)	10
158	2.500 (63.5)	1.250 (31.8)	3.062 (77.8)	2.047 (52.0)	10
212	2.500 (63.5)	1.850 (47.0)	3.062 (77.8)	2.573 (65.4)	10

TABLE II: CABLE ENTRY

Dash No	E MAX	F MAX	CABLE ENTRY MAX
01	.448 (11.4)	.781 (19.8)	.125 (3.2)
02	.515 (13.1)	.968 (24.6)	.250 (6.4)
03	.640 (16.3)	1.046 (26.6)	.375 (9.5)
04	.765 (19.4)	1.156 (29.4)	.500 (12.7)
05	.920 (23.4)	1.219 (31.0)	.625 (15.9)
06	1.015 (25.8)	1.343 (34.1)	.750 (19.1)
07	1.140 (29.0)	1.469 (37.3)	.875 (22.2)
08	1.265 (32.1)	1.594 (40.5)	1.000 (25.4)
09	1.432 (36.4)	1.719 (43.7)	1.125 (28.6)
10	1.515 (38.5)	1.844 (46.8)	1.250 (31.8)

**TABLE III:
 FINISH OPTIONS**

Symbol	Finish
B	Cadmium Plate/Olive Drab
C*	Black Anodize
G*	Anodic Hard Coat
J	Gold Iridite over Cadmium Plate over Electroless Nickel
LF	Cadmium Plate/Bright over Electroless Nickel
M	Electroless Nickel
N	Cadmium Plate/Olive Drab over Electroless Nickel
NC	Zinc Cobalt/Dark Olive Drab
NF	Cadmium Plate/Olive Drab over Electroless Nickel
T	Cadmium Plate/Bright over Electroless Nickel
U**	Cadmium Plate/Black
ZN	Zinc-Nickel Alloy/Olive Drab

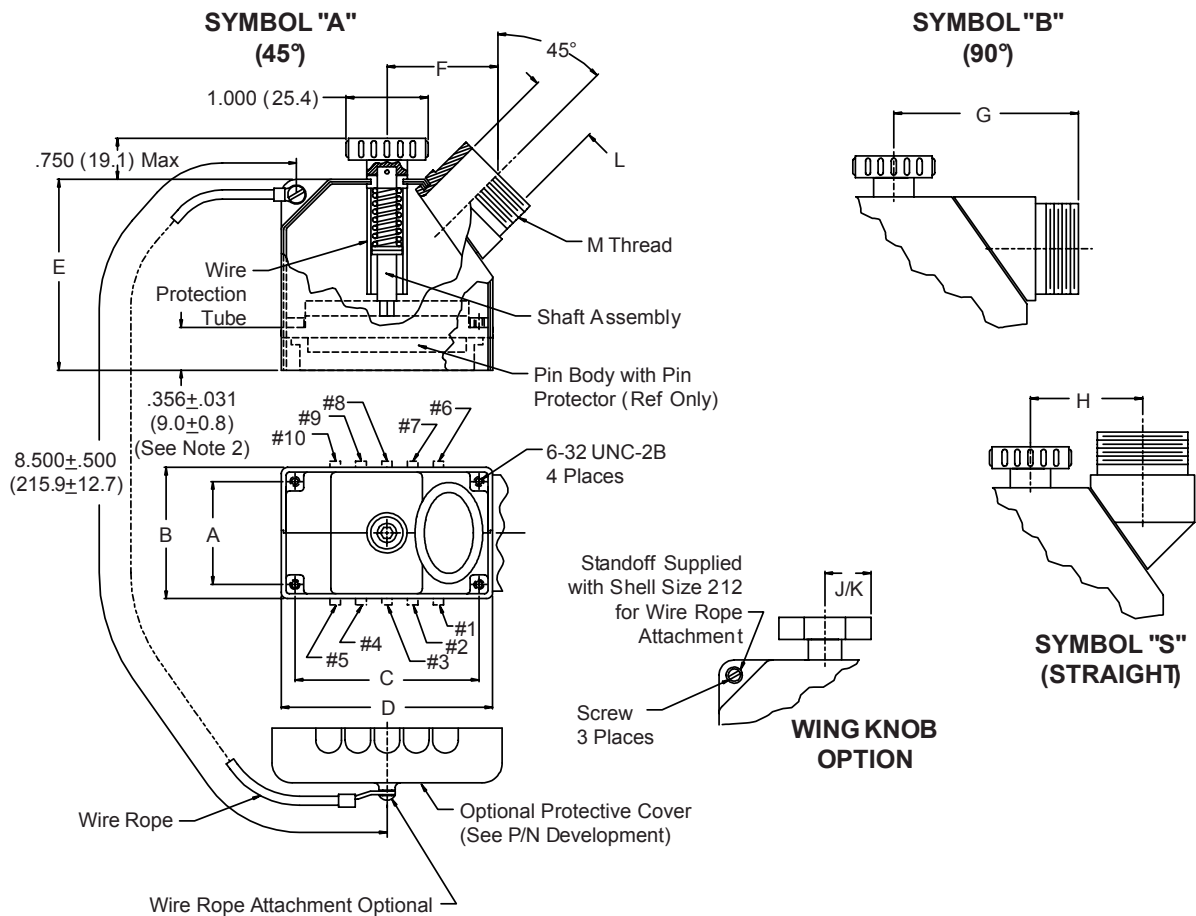
*Anodize finish is not suitable for EMI shielding or grounding applications.

**Applicable to corrosion resisting steel backshells and accessories. Consult factory for other available finishes.

Metric dimensions (mm) are indicated in parentheses.

527-303 Split Backshell Straight, 45°, & 90° Entry with Accessory Thread for Hughes MRS Pin Body Connectors

- 527 P 303 NF 158 S C 2 W 1**
- Product Series
 - Connector Type
 - P = Pin Body
 - S = Socket Body
 - Basic No.
 - Finish (Table II)
 - Shell Size (Table I)
 - Angle and Profile
 - S = Straight
 - A = 45°
 - B = 90°
 - 1 = Slotted Shaft for use with screw driver (Omit for Standard)
 - W = Wing Knob
 - X = Wing Knob, Low Profile (Dim K Applies) (Omit for Standard)
 - Polarization Position (Omit for None)
 - C = Protective Cover and Chain
 - F = Protective Cover and Rope
 - N = No Cover and Rope



NOTES:

1. Metric dimensions (mm) are indicated in parentheses.
2. Backshells to be used with Pin Body Connectors, Back-Mounted on .094 (2.4) Nominal Panel.

527-303
Split Backshell
 Straight, 45°, & 90° Entry with Accessory Thread
 for Hughes MRS Pin Body Connectors



Miscellaneous
Rectangular
Backshells

TABLE I: CONNECTOR INTERFACE DIMENSIONS (Continued Below)

Shell Size	A Dim	B Dim	C Dim	D Max Dim	E Max Dim	F Max Dim	G Max Dim	H Max Dim
20	0	1.090 (27.7)	1.300 (33.0)	1.940 (49.3)	3.000 (76.2)	2.000 (50.8)	1.880 (47.8)	2.000 (50.8)
36	0	1.090 (27.7)	1.750 (44.5)	2.390 (60.7)	3.000 (76.2)	2.000 (50.8)	1.880 (47.8)	2.000 (50.8)
52	.550 (14.0)	1.340 (34.0)	1.900 (48.3)	2.530 (64.3)	3.000 (76.2)	2.000 (50.8)	1.880 (47.8)	2.000 (50.8)
80	.812 (20.6)	1.620 (41.1)	2.045 (51.9)	2.680 (68.1)	3.000 (76.2)	2.000 (50.8)	1.880 (47.8)	2.000 (50.8)
104	.812 (20.6)	1.620 (41.1)	2.500 (63.5)	3.130 (79.5)	3.750 (95.3)	2.130 (54.1)	2.130 (54.1)	2.130 (54.1)
158	1.250 (31.8)	2.110 (53.6)	2.500 (63.5)	3.130 (79.5)	3.750 (95.3)	2.380 (60.5)	2.130 (54.1)	2.130 (54.1)
212	1.850 (47.0)	2.640 (67.1)	2.500 (63.5)	3.130 (79.5)	3.750 (95.3)	2.380 (60.5)	2.130 (54.1)	2.130 (54.1)

TABLE I: CABLE ENTRY (Continued)

Shell Size	J Dim	K Dim	L Dim	M Thread
20	±.005 (0.1)	N/A	.500 (12.7)	.750 - 20 UNEF
36	.630 (16.0)	N/A	.500 (12.7)	.750 - 20 UNEF
52	.935 (23.7)	N/A	.625 (15.9)	.875 - 20 UNEF
80	.935 (23.7)	N/A	1.000 (25.4)	1.250 - 18 UNEF
104	.935 (23.7)	N/A	1.000 (25.4)	1.250 - 18 UNEF
158	.995 (25.3)	.935 (23.7)	1.250 (31.8)	1.500 - 18 UNEF
212	.995 (25.3)	N/A	1.250 (31.8)	1.500 - 18 UNEF

TABLE III: FINISH OPTIONS

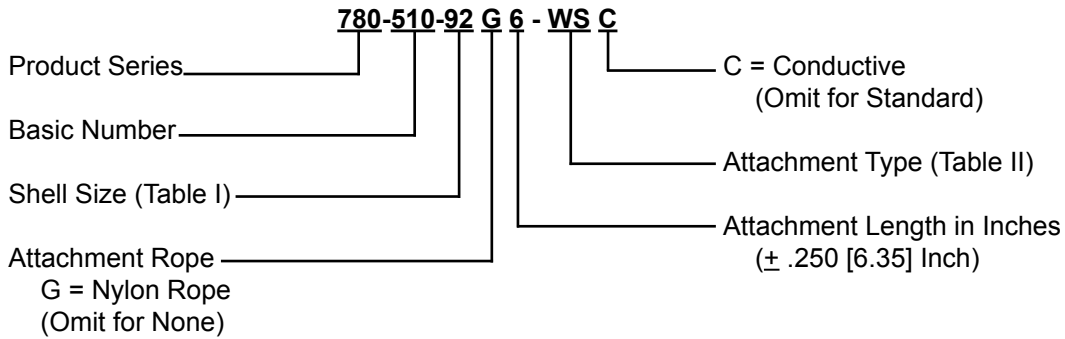
Symbol	Finish
B	Cadmium Plate/Olive Drab
C*	Black Anodize
G*	Anodic Hard Coat
J	Gold Iridite over Cadmium Plate over Electroless Nickel
LF	Cadmium Plate/Bright over Electroless Nickel
M	Electroless Nickel
N	Cadmium Plate/Olive Drab over Electroless Nickel
NC	Zinc Cobalt/Dark Olive Drab
NF	Cadmium Plate/Olive Drab over Electroless Nickel
T	Cadmium Plate/Bright over Electroless Nickel
U**	Cadmium Plate/Black
ZN	Zinc-Nickel Alloy/Olive Drab

*Anodize finish is not suitable for EMI shielding or grounding applications.

**Applicable to corrosion resisting steel backshells and accessories. Consult factory for other available finishes.

Metric dimensions (mm) are indicated in parentheses.

780-510 "Marshal Bean" Protective Rubber Cover Universal Rectangular for All Rectangularly Shaped Connectors



"To Protect and to Serve"

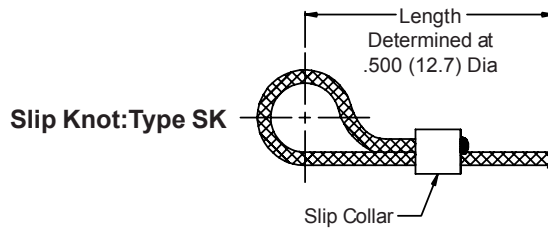
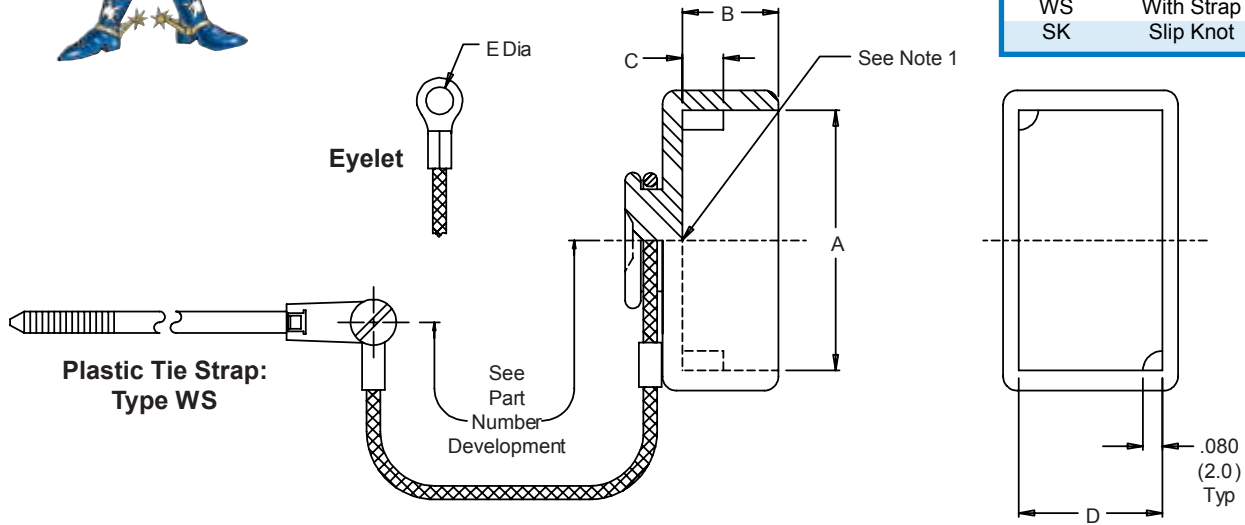


TABLE II: ATTACHMENT TYPE	
Dash No.	E Dia ±.010 (0.3)
00	No Terminal
01	.140 (3.6)
02	.182 (4.6)
03	.191 (4.9)
04	.197 (5.0)
05	.167 (4.2)
06	.125 (3.2)
07	.218 (5.5)
09	.156 (4.0)
WS	With Strap
SK	Slip Knot



NOTES:

1. Cover identified in area shown.
2. Metric dimensions (mm) are indicated in parentheses.
3. This series of covers is similar to Bean Rubber Mfg. Co. BP302 Series, Same Dash Number, i.e.: BP302-92-WS-L6 equivalent to 780-510-92G6-WS.
4. Standard material contains trace amounts of sulfur (a vulcanizing agent) which is known to contribute to degradation/corrosion of silver plated components such as braid, etc. Specify MOD Code suffix -675 for sulfur-free material.

780-510
“Marshal Bean” Protective Rubber Cover
Universal Rectangular
for All Rectangularly Shaped Connectors



Miscellaneous
Rectangular
Backshells

TABLE I: SHELL SIZE

Shell Size	A Dim	B Dim	C Dim	D Dim
-10	.80 (20.3)	.38 (9.7)	.18 (4.6)	.22 (5.6)
-10014	3.02 (76.7)	.30 (7.6)	N/A	.98 (24.9)
-1128-2	2.50 (63.5)	.20 (5.1)	N/A	.22 (5.6)
-126	5.00 (127.0)	.50 (12.7)	N/A	.22 (5.6)
-1261	3.26 (82.8)	.18 (4.6)	N/A	.16 (4.1)
-1262	3.83 (97.3)	.18 (4.6)	N/A	.22 (5.6)
-128N	3.90 (99.1)	.46 (11.7)	N/A	.25 (6.4)
-128P	3.78 (96.0)	.25 (6.4)	N/A	.29 (7.4)
-128R	3.65 (92.7)	.25 (6.4)	N/A	.20 (5.08)
-14	1.00 (25.4)	.38 (9.7)	.18 (4.6)	.22 (5.6)
-1802-7	5.80 (147.3)	.40 (10.2)	N/A	.25 (6.4)
-1828	1.68 (42.7)	.40 (10.2)	N/A	.44 (11.2)
-20	1.30 (33.0)	.38 (9.7)	.18 (4.6)	.22 (5.6)
-24	1.50 (38.1)	.38 (9.7)	.18 (4.6)	.22 (5.6)
-2485RA1	3.19 (81.0)	.56 (14.2)	N/A	.91 (23.1)
-26	1.58 (40.1)	.38 (9.7)	.18 (4.6)	.20 (5.08)
-28	2.30 (58.4)	.26 (6.6)	.18 (4.6)	.25 (6.4)
-28-56	2.94 (74.7)	.38 (9.7)	N/A	.32 (8.1)*
-30	1.78 (45.2)	.38 (9.7)	.18 (4.6)	.20 (5.08)
-328P	1.52 (38.6)	.37 (9.4)	N/A	.34 (8.6)
-34550	1.60 (40.6)	.60 (15.2)	N/A	.44 (11.2)
-347-36	2.05 (52.1)	.50 (12.7)	.20 (5.1)	.32 (8.1)
-347-50	2.75 (69.9)	.50 (12.7)	.20 (5.1)	.32 (8.1)
-35-70	3.63 (92.2)	.45 (11.4)	N/A	.32 (8.1)*
-36	2.08 (52.8)	.38 (9.7)	.18 (4.6)	.20 (5.08)
-3M60	3.10 (78.7)	.24 (6.1)	.18 (4.6)	.22 (5.6)
-40	2.28 (57.9)	.38 (9.7)	.18 (4.6)	.20 (5.08)
-44	2.52 (64.0)	.38 (9.7)	.18 (4.6)	.22 (5.6)
-44-208	1.24 (31.5)	.32 (8.1)	N/A	.33 (8.4)
-50	2.78 (70.6)	.38 (9.7)	.18 (4.6)	.20 (5.08)
-50-100	5.10 (129.5)	.40 (10.2)	N/A	.32 (8.1)*
-527-371	4.83 (122.68)	.50 (12.7)	N/A	.37 (9.4)
-58D10F	1.32 (33.5)	.46 (11.7)	.23 (5.8)	.22 (5.6)
-58D14F	1.52 (38.6)	.50 (12.7)	.25 (6.4)	.22 (5.6)
-58D20F	1.80 (45.7)	.50 (12.7)	.25 (6.4)	.22 (5.6)
-58D24F	2.02 (51.3)	.46 (11.7)	.25 (6.4)	.22 (5.6)
-58D26F	2.12 (53.9)	.49 (12.5)	.23 (5.8)	.22 (5.6)
-58D30F	2.30 (58.4)	.50 (12.7)	.25 (6.4)	.22 (5.6)
-58D36F	2.60 (66.0)	.50 (12.7)	.25 (6.4)	.22 (5.6)

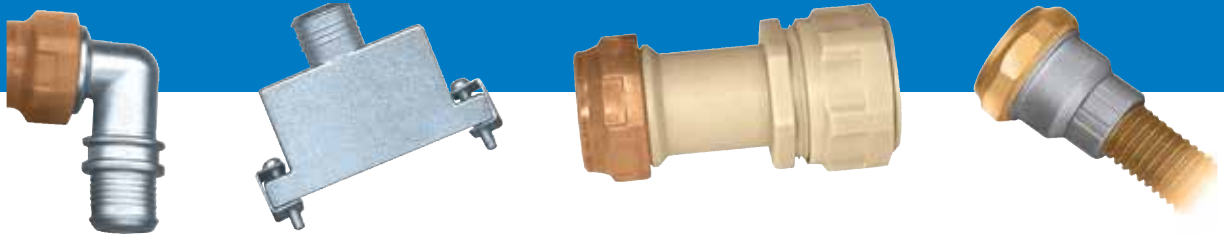
TABLE I: (Continued)

Shell Size	A Dim	B Dim	C Dim	D Dim
-58D54F	3.52 (89.4)	.50 (12.7)	.25 (6.4)	.22 (5.6)
-60	3.28 (83.3)	.38 (9.7)	.18 (4.6)	.20 (5.08)
-7177	5.30 (134.6)	.45 (11.4)	N/A	.45 (11.4)
-733-5A	2.05 (52.1)	.30 (7.6)	N/A	.97 (24.6)
-773AMP	1.97 (50.0)	.30 (7.6)	N/A	1.06 (26.9)
-733AP	1.90 (48.3)	.40 (10.2)	N/A	.82 (20.8)
-733AR	2.02 (51.3)	.30 (7.6)	N/A	1.06 (26.9)
-74813C	.85 (21.6)	.50 (12.7)	.300 (7.6)	.29 (7.4)
-7482A	1.28 (32.5)	.72 (18.3)	.160 (4.1)	.40 (10.2)
-7484A	1.95 (49.5)	1.00 (25.4)	.230 (5.8)	.82 (20.8)
-7487F	1.19 (30.2)	.46 (11.7)	.260 (6.6)	.46 (11.7)
-78	2.34 (59.4)	.74 (18.8)	N/A	1.34 (34.0)
-86038-36	1.77 (45.0)	.50 (12.7)	N/A	.18 (4.6)
-86038-44	2.17 (55.1)	.57 (14.5)	N/A	.18 (4.6)
-86038-50	2.47 (62.7)	.57 (14.5)	N/A	.18 (4.6)
-90362	3.53 (89.7)	1.55 (39.4)	N/A	2.53 (64.3)
-92	3.36 (85.3)	.38 (9.7)	.180 (4.6)	.29 (7.4)
-A36Y	2.12 (53.8)	.38 (9.7)	.180 (4.6)	.22 (5.6)
-A392	5.14 (130.6)	.40 (10.2)	N/A	.34 (8.6)
-A452	5.74 (145.8)	.40 (10.2)	N/A	.34 (8.6)
-A70M	3.80 (96.5)	.46 (11.7)	N/A	.22 (5.6)
-CMM5	.67 (17.0)	.38 (9.7)	.160 (4.1)	.20 (5.08)
-HGM092	3.40 (86.4)	.53 (13.5)	.15 (3.8)	.31 (7.9)
-HGM092M	3.40 (86.4)	.53 (13.5)	.20 (5.1)	.31 (7.9)
-HGM154F	5.99 (152.1)	.32 (8.1)	N/A	.35 (8.9)
-KA126	5.06 (128.5)	.26 (6.6)	.180 (4.6)	.32 (8.1)
-ME24	1.98 (50.3)	.46 (11.7)	.280 (7.1)	.22 (5.6)
-ME44	2.98 (75.7)	.46 (11.7)	.280 (7.1)	.22 (5.6)
-ME56	3.58 (90.9)	.46 (11.7)	.280 (7.1)	.22 (5.6)
-MS24286	3.35 (85.1)	.59 (15.0)	N/A	.98 (24.9)
-REY8514	1.42 (36.1)	.40 (10.2)	.180 (4.6)	.39 (9.9)
-REY8516	1.90 (48.3)	.40 (10.2)	N/A	.50 (12.7)
-SME26	1.20 (30.5)	.46 (11.7)	N/A	.32 (8.1)
-SME26SO	1.20 (30.5)	.46 (11.7)	.180 (4.6)	.32 (8.1)
-SRE14	.83 (21.1)	.46 (11.7)	N/A	.32 (8.1)
-SRE20	1.00 (25.4)	.46 (11.7)	N/A	.32 (8.1)
-SRE34	1.19 (30.2)	.46 (11.7)	N/A	.43 (10.9)
-WB244	3.25 (82.6)	.18 (4.6)	N/A	.60 (15.2)
-WD244	3.34 (84.8)	.18 (4.6)	N/A	.70 (17.8)

*Spacers have been added to adjust internal height to .250 (6.4).

Metric dimensions (mm) are indicated in parentheses.

Ten Reasons to Keep Glenair at the Top of Your List of Backshell and Connector Accessory Suppliers



- 1. We offer the lowest total cost of ownership in the interconnect industry:** From our cost-saving “no minimum order” policy to our free product samples and application engineering, Glenair provides the best value in backshells and connector accessories available today.
- 2. Our full spectrum product lines make for one-stop-shopping:** We have the most complete selection of rectangular backshells and accessories in the world, including every Mil-Spec slash number and hundreds of composite designs.
- 3. We have the largest capacity, broadest capability factory in the business** and the knowledge and expertise to handle any production requirement no matter how large or complex.
- 4. We’ve provided complete convenience in ordering since 1956** (that’s *your* convenience not ours): choose factory direct, your local Glenair office or your favorite distributor.
- 5. We care as much about quality as you do:** We’re BSENISO9001 registered in Europe and MIL-I-45208A and Boeing AQS D1-9000 Certified in North America.
- 6. We have over 35,000 accessory part numbers ready for immediate shipment** including every Mil-DTL-85049 accessory and thousands of Glenair’s most popular rectangular and circular backshell part numbers.
- 7. Our turnaround on quotes and custom orders is the fastest in the industry:** We offer 24 hour turnaround on RFQ’s and just 2 to 3 weeks on custom orders, including MIL-DTL-83513 Micro-Ds and other rectangular interconnects.
- 8. We have the largest and most experienced support staff in the business,** including sales and engineering in every major aerospace market, on-site application engineering and dedicated product managers for every interconnect discipline.
- 9. We understand interconnect systems from the ground up:** We’re the only backshell and accessory supplier to operate a full service harness facility. We even make our own line of assembly tools.
- 10. We’re committed:** Backshells and connector accessories are our life. We’ve served this market since 1956 and we’re committed to meeting the evolving needs of our customers—in both the North America and worldwide marketplace .

Glenair: A World of Interconnect Solutions

**MIL-C-83733 BACKSHELL PRODUCT FEATURES**

- Six Optional Side and Top Cable Entries
- Solid and Split Backshell Designs Provide Easy Assembly and Convenient Service and Maintenance Access
- Strain-Relief and EMI Shield Termination Designs
- Lamp Thread, Conical Ring and Banding Shield Terminations

Six Optional Cable Entries for Flexible Wire Routing

Cable Strain Relief and RFI/EMI Shield Termination for MIL-DTL-83733 Connectors

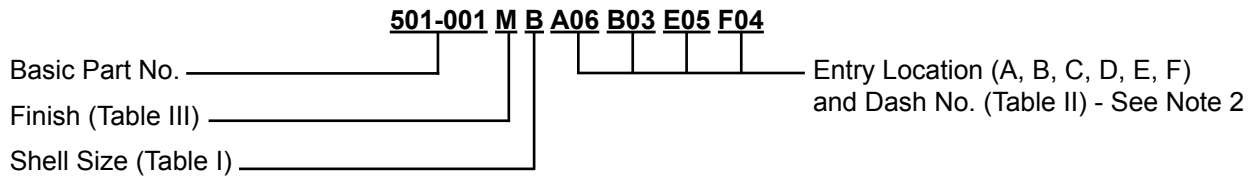
Glenair's split backshells for MIL-DTL-83733 connectors are available in three designs which offer either a standard cable clamp, saddle-bar style strain-relief, or an EMI shield banding platform. Tongue and groove joints provide optimal EMC. Customers may choose from up to six cable entry locations.

Backshell bodies are made from aluminum alloy with passivated stainless steel hardware. A full range of standard finishes are available, including custom options.

501-001
EMI/RFI Conical-Ring Type Split Shell Connector
for MIL-DTL-83733 Connectors



MIL-DTL-83733
Backshells



1. Metric dimensions (mm) are indicated in parentheses.
2. When entry options "C" and/or "D" are selected, entry option "B" cannot be selected. When "C" and "D" are selected on shell size A, the maximum dash number available is 02.
3. Material/Finish:
Backshell, Adapter, Clamp,
Ferrule = Al Alloy/See Table III
Hardware = SST/Passivate

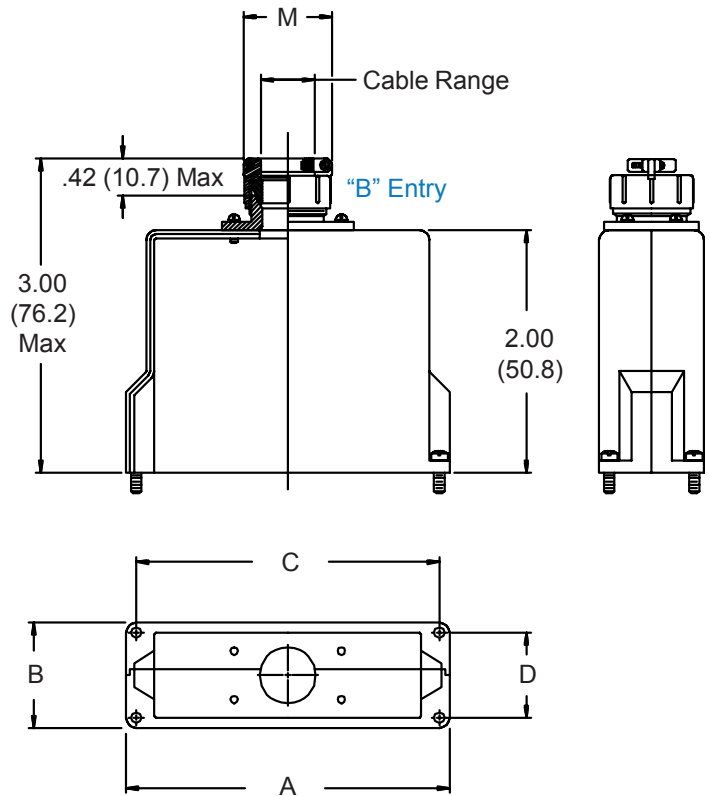
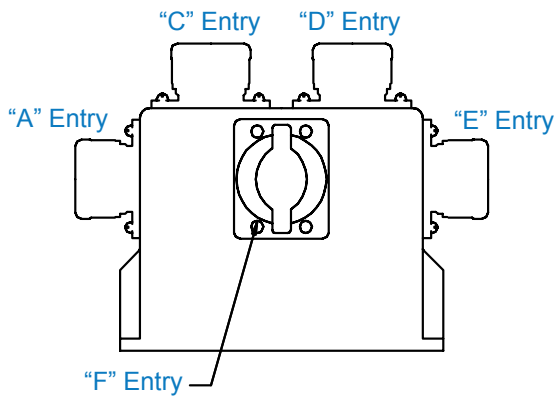


TABLE I: DIMENSIONS

Shell Size	A	B	C		D		Max Entry
	Dim	Dim	± .005	(.1)	± .005	(.1)	
A	2.095 (53.2)	1.000 (25.4)	1.895	(48.1)	.815	(20.7)	.875 (22.2)
B	3.395 (86.2)	1.000 (25.4)	3.195	(81.2)	.815	(20.7)	.875 (22.2)

TABLE II: CABLE ENTRY

Dash No.	M	Cable Range	
	Max	Min	Max
01	.781 (19.8)	.062 (1.6)	.125 (3.2)
02	.968 (24.6)	.125 (3.2)	.250 (6.4)
03	1.046 (26.6)	.250 (6.4)	.375 (9.5)
04	1.156 (29.4)	.312 (7.9)	.500 (12.7)
05	1.218 (30.9)	.437 (11.1)	.625 (15.9)
06	1.343 (34.1)	.562 (14.3)	.750 (19.1)
07	1.468 (37.3)	.687 (17.4)	.875 (22.2)

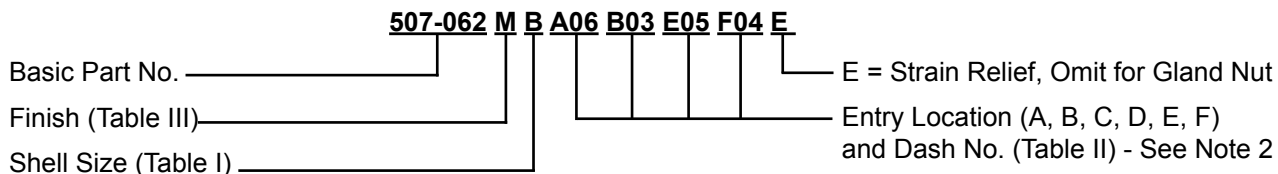
TABLE III: FINISH OPTIONS

Symbol	Finish
B	Cadmium Plate, Olive Drab
M	Electroless Nickel
N	Cadmium Plate, Olive Drab, Over Nickel
NF	Cadmium Plate, Olive Drab, Over Electroless Nickel (500 Hour Salt Spray)

CONSULT FACTORY FOR
OTHER AVAILABLE FINISHES



507-062
RFI Backshell
Lead Type Split Strain-Relief
507-062 L-83733 Connectors



1. Metric dimensions (mm) are indicated in parentheses.
2. When entry options "C" and/or "D" are selected, entry option "B" cannot be selected. When "C" and "D" are selected on shell size A, the maximum dash number available is 02.
3. Material/Finish:
Backshell, Adapter, Clamp,
Ferrule = Al Alloy/See Table III
Hardware = SST/Passivate

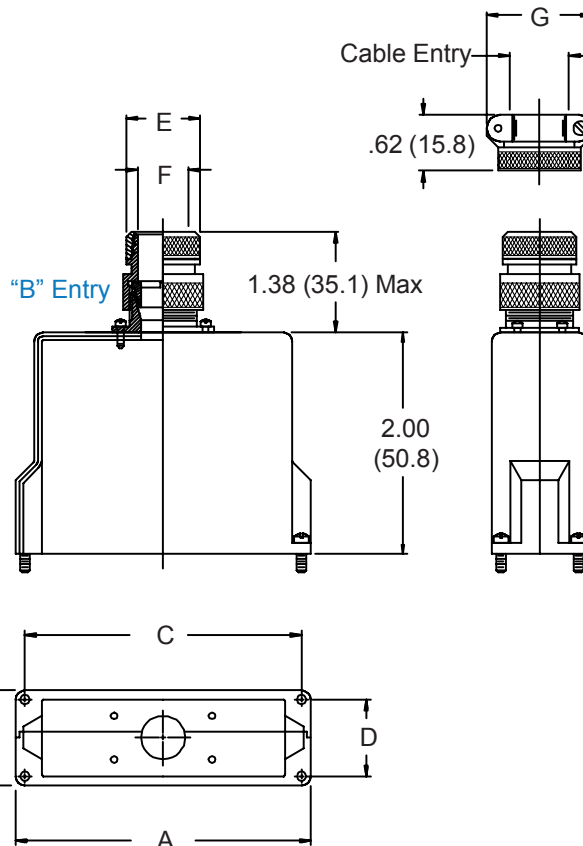
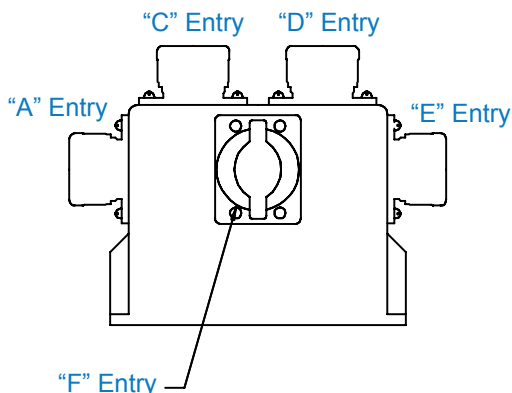


TABLE I: DIMENSIONS

Shell Size	A Dim	B Dim	C ± .005 (.1)	D ± .005 (.1)	Max Entry
A	2.095 (53.2)	1.000 (25.4)	1.895 (48.1)	.815 (20.7)	.750 (19.1)
B	3.395 (86.2)	1.000 (25.4)	3.195 (81.2)	.815 (20.7)	.750 (19.1)

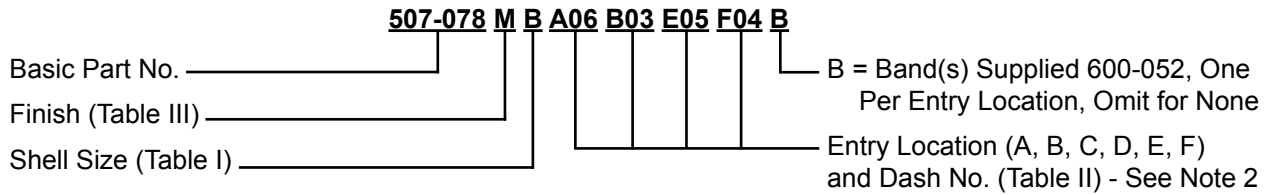
TABLE III: FINISHES

Sym.	Finish
B	Cadmium Plate, Olive Drab
M	Electroless Nickel
N	Cadmium Plate, Olive Drab, Over Nickel
NF	Cadmium Plate, Olive Drab, Over Electroless Nickel (500 Hour Salt Spray)

CONSULT FACTORY FOR OTHER AVAILABLE FINISHES

TABLE II: CABLE ENTRY

Dash No.	E Max	F Entry Max	G Max	Cable Entry	
				Min	Max
01	.510 (13.0)	.078 (2.0)	.78 (19.8)	.062 (1.6)	.125 (3.2)
02	.577 (14.7)	.203 (5.2)	.97 (24.6)	.125 (3.2)	.250 (6.4)
03	.702 (17.8)	.328 (8.3)	1.05 (26.7)	.250 (6.4)	.375 (9.5)
04	.827 (21.0)	.453 (11.5)	1.16 (29.5)	.250 (6.4)	.500 (12.7)
05	.982 (24.9)	.578 (14.7)	1.22 (31.0)	.375 (9.5)	.625 (15.9)
06	1.077 (27.4)	.703 (17.9)	1.34 (34.0)	.500 (12.7)	.750 (19.1)



1. Metric dimensions (mm) are indicated in parentheses.
2. When entry options "C" and/or "D" are selected, entry option "B" cannot be selected.
3. Material/Finish:
Backshell, Adapter, Clamp, Ferrule = Al Alloy/See Table III
Hardware = SST/Passivate

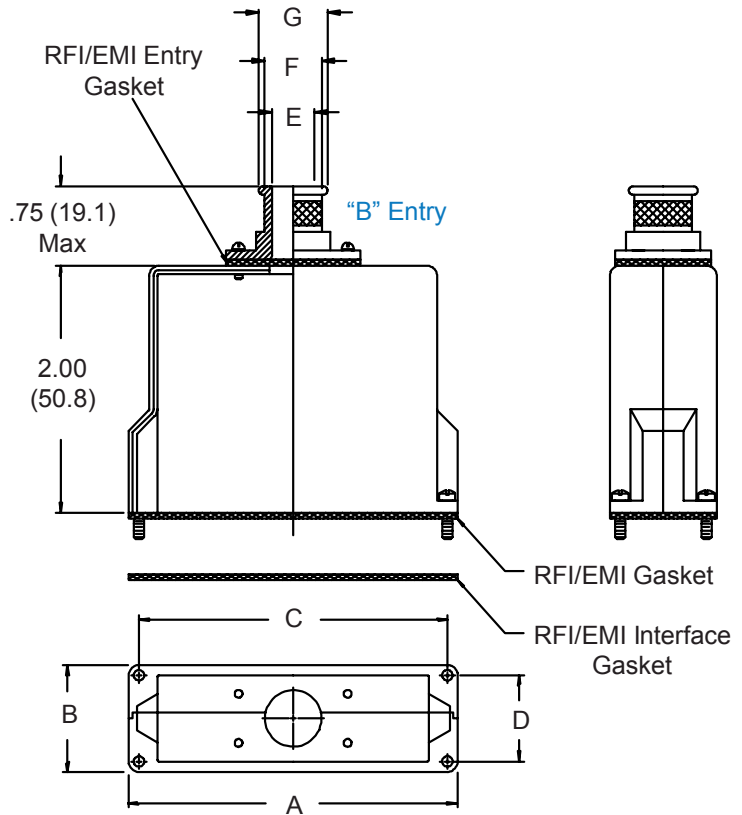
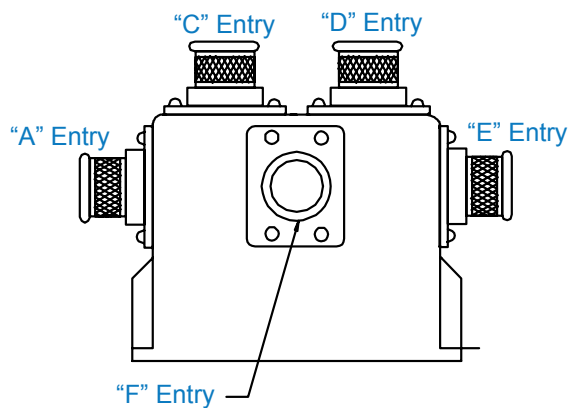


TABLE I: DIMENSIONS

Shell Size	A Dim	B Dim	C ± .005 (.1)	D ± .005 (.1)
A	2.095 (53.2)	1.000 (25.4)	1.895 (48.1)	.815 (20.7)
B	3.395 (86.2)	1.000 (25.4)	3.195 (81.2)	.815 (20.7)

TABLE II: CABLE ENTRY

Dash No.	E Dia	F Dia	G Dia
02	.250 (6.4)	.375 (9.5)	.438 (11.1)
03	.375 (9.5)	.500 (12.7)	.562 (14.3)
04	.500 (12.7)	.625 (15.9)	.688 (17.5)
05	.625 (15.9)	.750 (19.1)	.812 (20.6)
06	.750 (19.1)	.875 (22.2)	.938 (23.8)
07*	.875 (22.2)	1.000 (25.4)	1.062 (27.0)

* Available in F entry only.

TABLE III: FINISH OPTIONS

Symbol	Finish
B	Cadmium Plate, Olive Drab
M	Electroless Nickel
N	Cadmium Plate, Olive Drab, Over Nickel
NF	Cadmium Plate, Olive Drab, Over Electroless Nickel (500 Hour Salt Spray)

CONSULT FACTORY FOR OTHER AVAILABLE FINISHES



85049/28
Strain-Relief Backshell
Superceded M83733/15

M85049/28-2

Basic Part No. _____

Dash No. _____

Superceded Part Number

M83733/15-2

Basic Part No. _____

Dash No. _____

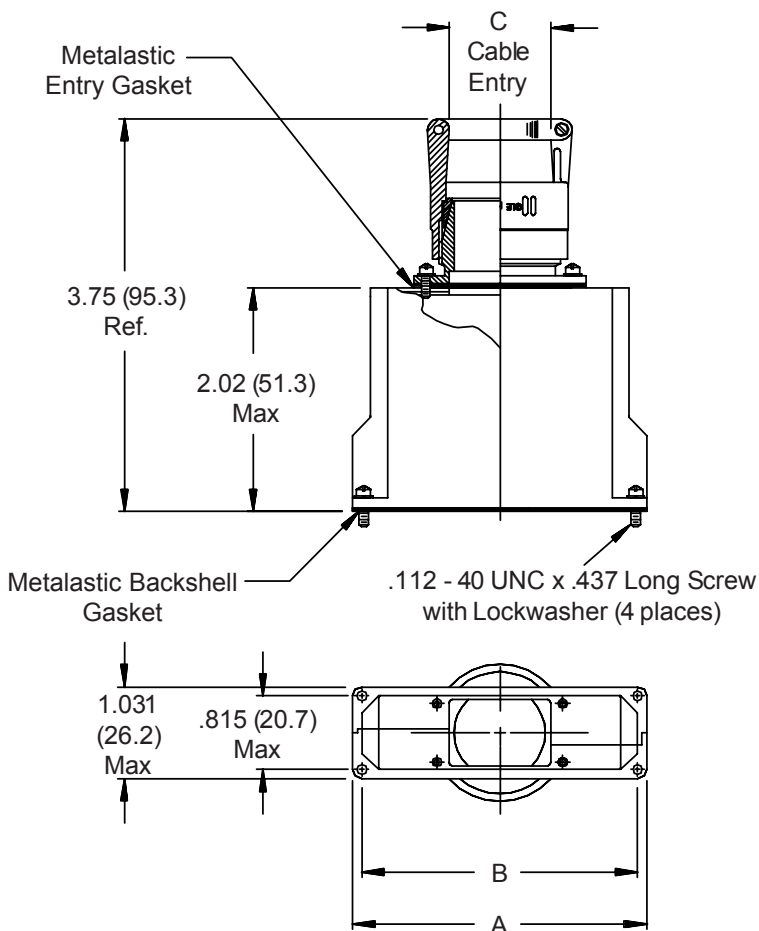
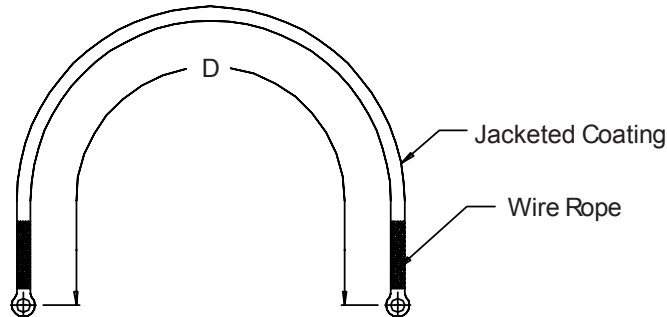


TABLE I: CONNECTOR INTERFACE & CABLE ENTRY

Dash No.	A Max	B Max	C Cable Entry	
			Min	Max
1	2.126 (54.0)	1.900 (48.3)	.500 (12.7)	.625 (15.9)
2	2.126 (54.0)	1.900 (48.3)	.625 (15.9)	.750 (19.1)
3	3.426 (87.0)	3.200 (81.3)	.500 (12.7)	.625 (15.9)
4	3.426 (87.0)	3.200 (81.3)	.625 (15.9)	.750 (19.1)

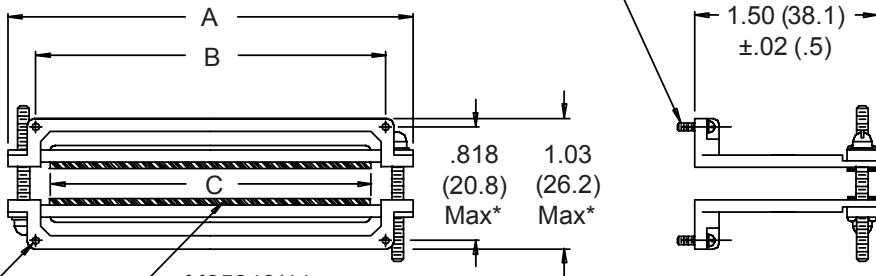
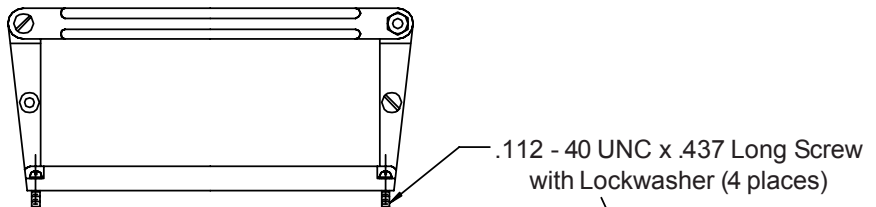
1. For complete dimensions see applicable Military Specification.
2. Metric dimensions (mm) are indicated in parentheses.
3. Cable entry is defined as the accommodation range for the wire bundle or cable. Dimensions shown are not intended for inspection criteria.

M85049/44-3
Basic Part No. _____
Dash No. _____



Superceded Part Number

M83733/16-3
Basic Part No. _____
Dash No. _____



.116 (2.9)
Dia Hole
Typ. 4
Places

M85049/44
Silicone Cushions
M83733/16
Neoprene
Cushions
.062 (1.6) Thick

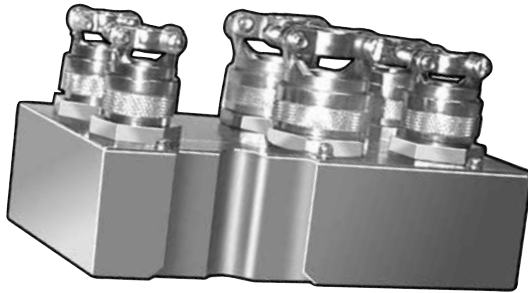
* Maximum Dimension
with Halves Bottomed

**TABLE I:
CONNECTOR INTERFACE DIMENSIONS**

Dash No.	A		B		C	
	± .062	(1.57)	± .005	(.13)	± .062	(1.57)
1	2.437	(61.90)	1.895	(48.13)	1.700	(43.18)
2	3.750	(95.25)	3.195	(81.15)	3.000	(76.20)
3	2.437	(61.90)	1.895	(48.13)	1.700	(43.18)
4	3.750	(95.25)	3.195	(81.15)	3.000	(76.20)

* No Wire Rope Supplied

1. For complete dimensions see applicable Military Specification.
2. Metric dimensions (mm) are indicated in parentheses.



PRODUCT FEATURES

- Dozens of Cable Entry Locations
- Mechanical and Electrical Integrity Maintained by Backshell Entrapment of Connectors
- Split Backshell Designs Provide Easy Assembly and Convenient Service and Maintenance Access
- Standard Clamp and Gland Style Strain-Reliefs
- Banding and Braid-Sock Style Shield Terminations

The Perfect Solution for Rack and Panel Avionic Applications: an ARINC Series 600 Connector Protected by a Glenair RFI/EMI Backshell

Cost-Effective RFI/EMI Shielding and Cable Strain Relief

Glenair's Series 527 backshells are the perfect complement to size 1, 2 and 3 ARINC Series 600 connectors. Built from rugged aluminum and available in a complete range of surface finishes, Glenair's line of accessories for ARINC Series 600 connectors provide cost-effective cable strain-relief and RFI/EMI shielding. Many popular part numbers are in stock and ready for immediate shipment from Glenair's 35,000 part number Same Day Inventory.

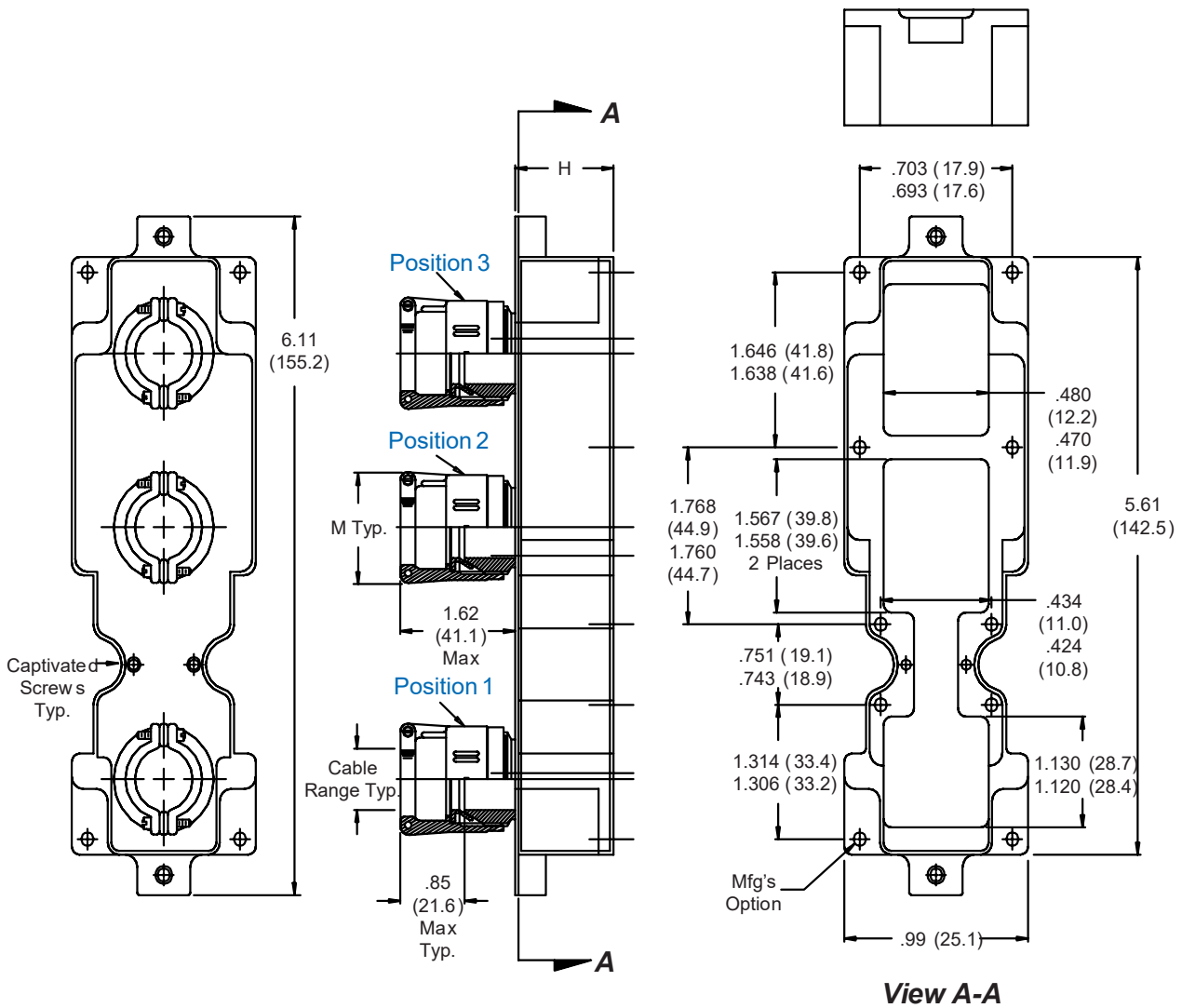
QUICK REFERENCE

Backshells for:	Part No.	Page
Size 1 ARINC 600 Series Connectors	527-056	F-2
	527-257	F-4
Size 2 ARINC 600 Series Connectors	527-025	F-6
	527-047	F-8
	527-149	F-10
	527-164	F-12
	527-244	F-13
	527-277	F-14
	527-284	F-16
Size 3 ARINC 600 Series Connectors	527-108	F-18
	527-126	F-20
	527-193	F-22
	527-248	F-24
	527-249	F-26

527-056
EMI/RFI Strain-Relief Backshell
for Size 1 ARINC 600 Series Connector

527-056 NF P1 03 04 05 A

Basic Part No. _____
 Finish (Table III) _____
 Connector Designator (Table IV) _____
 Dash No. (Table I) Position 1 _____
 Dash No. (Table I) Position 2 _____
 Dash No. (Table I) Position 3 _____
 Height Code (Table II) _____



Metric dimensions (mm) are indicated in parentheses.

527-056
EMI/RFI Strain-Relief Backshell
for Size 1 ARINC 600 Series Connector



TABLE I: CABLE ENTRY

Dash No.	M Max	Cable Range	
		Min	Max
00 *	N/A	N/A	N/A
01	.781 (19.8)	.062 (1.6)	.125 (3.2)
02	.968 (24.6)	.125 (3.2)	.250 (6.4)
03	1.046 (26.6)	.250 (6.4)	.375 (9.5)
04	1.156 (29.4)	.375 (9.5)	.500 (12.7)
05	1.218 (30.9)	.500 (12.7)	.625 (15.9)

* Clamp not supplied with dash number 00.

TABLE II

Height Code	H
A	1.00 (25.4)
B	1.25 (31.8)

**TABLE III:
FINISH OPTIONS**

Symbol	Finish
B	Cadmium Plate/Olive Drab
C*	Black Anodize
G*	Anodic Hard Coat
J	Gold Iridite over Cadmium Plate over Electroless Nickel
LF	Cadmium Plate/Bright over Electroless Nickel
M	Electroless Nickel
N	Cadmium Plate/Olive Drab over Electroless Nickel
NC	Zinc Cobalt/Dark Olive Drab
NF	Cadmium Plate/Olive Drab over Electroless Nickel
T	Cadmium Plate/Bright over Electroless Nickel
U**	Cadmium Plate/Black
ZN	Zinc-Nickel Alloy/Olive Drab

*Anodize finish is not suitable for EMI shielding or grounding applications.
 **Applicable to corrosion resisting steel backshells and accessories. Consult factory for other available finishes.

TABLE IV: CONNECTOR DESIGNATOR

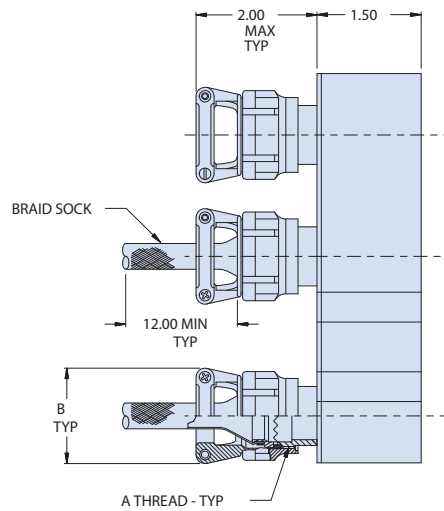
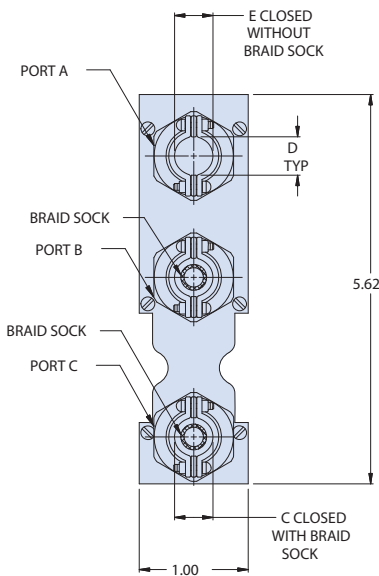
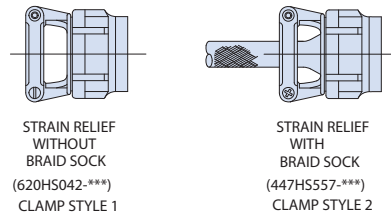
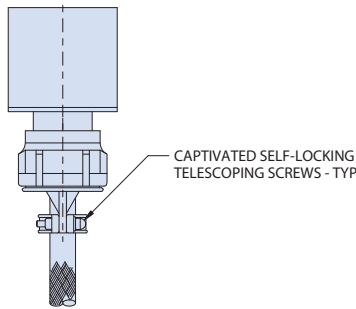
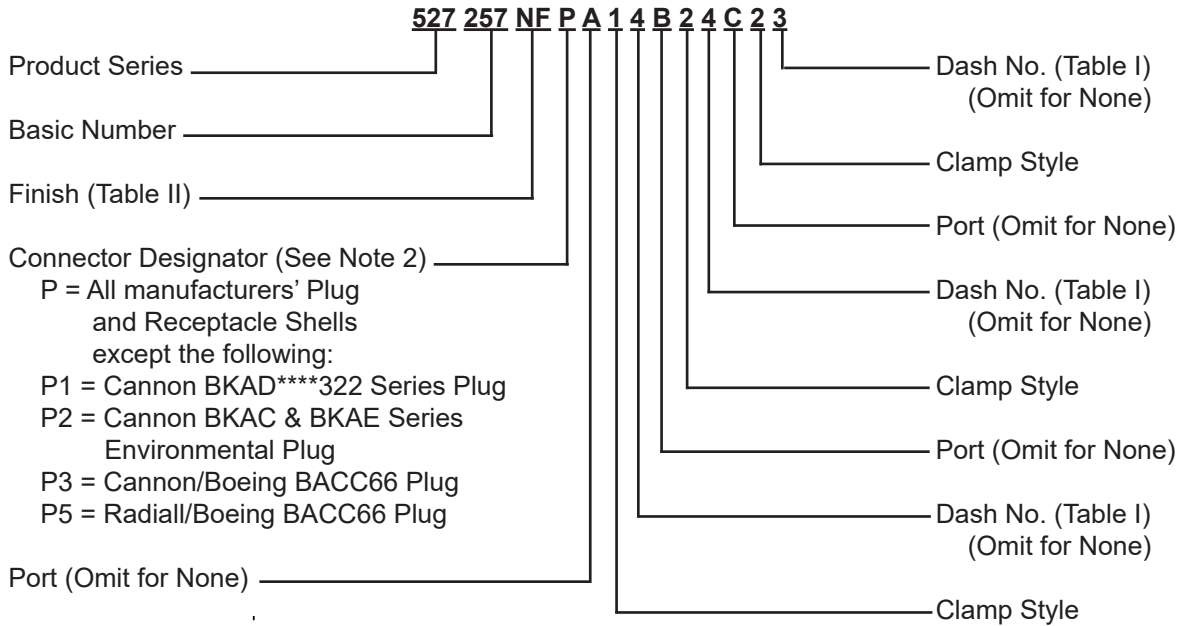
ARINC 600 series connector backshells are designed to replace the insert retainer plates for connector designators P, P1, P3 and P5 (P2 and P6 backshells require the use of the connector manufacturer's retainer plates). Due to non-standard modifications by the connector manufacturer, the backshell may require special design alterations to mate properly. The following should be used to determine if a backshell modification is required. Prior to ordering, consult factory with connector part numbers not shown to ensure a proper fit

Connector Designator	Connector Description
P	All Manufacturer's Plug and Receptacle Shells, Except for Those Listed Below (Prior to ordering, consult factory with connector part numbers not listed below to ensure a proper fit.)
P1	Cannon BKAD****322 Series Plug
P2	Cannon/Radiall Environmental Plug
P3	Cannon/Boeing BACC 66 Plug
P5	Radiall/Boeing BACC66 Plug
P6	Cannon BKAC & BKAE XXX322 Series Environmental Plug

1. Metric dimensions (mm) are indicated in parentheses.
2. Material/Finish:
 Backshell and Fittings = Al Alloy/See Table II
 Hardware = SST/Passivate



527-257 EMI/RFI Shield Sock Strain-Relief Backshell for Size 1 ARINC 600 Series Connectors



Metric dimensions (mm) are indicated in parentheses.

527-257
EMI/RFI Shield Sock Strain-Relief Backshell
for Size 1 ARINC 600 Series Connectors



TABLE I: CABLE ENTRY

Shell Size	A Thread ISO Metric	B Max	C +.031 (0.8)	D Min	E +.031 (0.8)
1	M12 x 1.0 - 6H	.980 (24.9)	.265 (6.7)	.220 (5.6)	.220 (5.6)
2	M15 x 1.0 - 6H	1.050 (26.7)	.310 (7.9)	.270 (6.9)	.264 (6.7)
3	M18 x 1.0 - 6H	1.200 (30.5)	.390 (9.9)	.350 (8.9)	.344 (8.7)
4	M22 x 1.0 - 6H	1.030 (26.2)	.506 (12.9)	.470 (11.9)	.460 (11.7)
5	M25 x 1.0 - 6H	1.440 (36.6)	.591 (15.0)	.550 (14.0)	.545 (13.8)
6	M28 x 1.0 - 6H	1.560 (39.6)	.661 (16.8)	.620 (15.7)	.615 (15.6)
7*	M31 x 1.0 - 6H	1.690 (42.9)	.744 (18.9)	.700 (17.8)	.698 (17.7)

*Dash No. 7 can only be used on Ports "A" and "B".

TABLE IV: CONNECTOR DESIGNATOR

ARINC 600 series connector backshells are designed to replace the insert retainer plates. Due to non-standard modifications by the connector manufacturer, the backshell may require special design alterations to mate properly. The following should be used to determine if a backshell modification is required. Prior to ordering, consult factory with connector part numbers not shown to ensure a proper fit.

Connector Designator	Connector Description
P	All Manufacturer's Plug and Receptacle Shells, Except for Those Listed Below (Prior to ordering, consult factory with connector part numbers not listed below to ensure a proper fit.)
P1	Cannon BKAD****322 Series Plug
P2	Cannon/Radiall Environmental Plug
P3	Cannon/Boeing BACC 66 Plug
P5	Radial/Boeing BACC66 Plug
P6	Cannon BKAC & BKAE XXX322 Series Environmental Plug

**TABLE III:
FINISH OPTIONS**

Symbol	Finish
B	Cadmium Plate/Olive Drab
C*	Black Anodize
G*	Anodic Hard Coat
J	Gold Iridite over Cadmium Plate over Electroless Nickel
LF	Cadmium Plate/Bright over Electroless Nickel
M	Electroless Nickel
MT	Nickel-PTFE
N	Cadmium Plate/Olive Drab over Electroless Nickel
NC	Zinc Cobalt/Dark Olive Drab
NF	Cadmium Plate/Olive Drab over Electroless Nickel
T	Cadmium Plate/Bright over Electroless Nickel
U**	Cadmium Plate/Black
ZN	Zinc-Nickel Alloy/Olive Drab

*Anodize finish is not suitable for EMI shielding or grounding applications.

**Applicable to corrosion resisting steel backshells and accessories. Consult factory for other available finishes. See Sheet 2 of STD-001 (Common Accessory Interface Data) for additional plating symbol

NOTES:

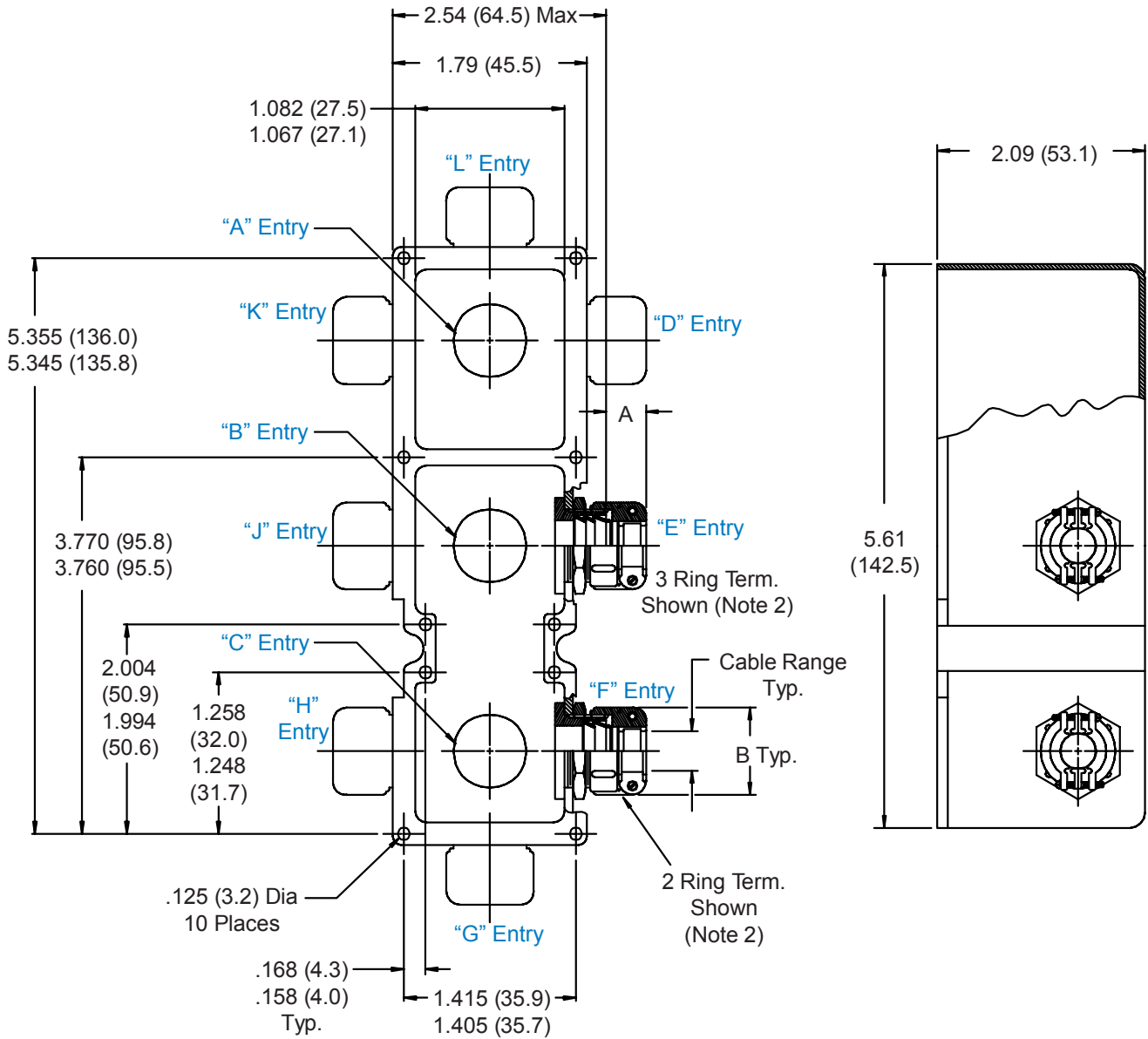
1. Metric dimensions (mm) are indicated in parentheses.
2. ARINC 600 Series Connector Backshells are designed to replace the insert retainer plates. Due to non-standard modifications by the connector manufacturer, the backshell may require special design alterations to mate properly. Prior to ordering, consult factory with connector partnumbers not shown in the Part Number Development to ensure a proper fit.

527-025 Strain Relief Backshell for Size 2 ARINC 600 Series Connectors

527-025 NF P1 A08 C12 D12 T S

Basic Part No. _____
 Finish (Table II) _____
 Connector Designator (Table III) _____
 Entry Location (A, B, C, D, E, F, G, H, J, K, L)
 and Dash No. (Table I), 3 Entry Combinations Max

S = Safety Wire Holes on Hex Locknuts, Omit For None
 Termination Style (Note 2)
 D = 2 Ring, T = 3 Ring



Metric dimensions (mm) are indicated in parentheses.

527-025
Strain Relief Backshell
for Size 2 ARINC 600 Series Connectors



TABLE I: CABLE ENTRY

Dash No.	A		B		Cable Range	
	Max		Max		Min	Max
03	.760	(19.3)	.844	(21.4)	.157	(4.0) .250 (6.4)
04	.760	(19.3)	.906	(23.0)	.187	(4.7) .312 (7.9)
06	.760	(19.3)	1.093	(27.8)	.281	(7.1) .437 (11.1)
08	.760	(19.3)	1.187	(30.1)	.344	(8.7) .562 (14.3)
10	.760	(19.3)	1.281	(32.5)	.375	(9.5) .625 (15.9)
12	.760	(19.3)	1.500	(38.1)	.438	(11.1) .750 (19.1)
16	1.073	(27.3)	1.719	(43.7)	.562	(14.3) .938 (23.8)

TABLE II: FINISH OPTIONS

Symbol	Finish	Symbol	Finish
B	Cadmium Plate/Olive Drab	NC	Zinc Cobalt/Dark Olive Drab
C*	Black Anodize	NF	Cadmium Plate/Olive Drab over Electroless Nickel
G*	Anodic Hard Coat	T	Cadmium Plate/Bright over Electroless Nickel
J	Gold Iridite over Cadmium Plate over Electroless Nickel	U**	Cadmium Plate/Black
LF	Cadmium Plate/Bright over Electroless Nickel	ZN	Zinc-Nickel Alloy/Olive Drab
M	Electroless Nickel		
N	Cadmium Plate/Olive Drab over Electroless Nickel		

*Anodize finish is not suitable for EMI shielding or grounding applications.
**Applicable to corrosion resisting steel backshells and accessories. Consult factory for other available finishes.

TABLE III: CONNECTOR DESIGNATOR

ARINC 600 series connector backshells are designed to replace the insert retainer plates. Due to non-standard modifications by the connector manufacturer, the backshell may require special design alterations to mate properly. The following should be used to determine if a backshell modification is required. Prior to ordering, consult factory with connector part numbers not shown to ensure a proper fit.

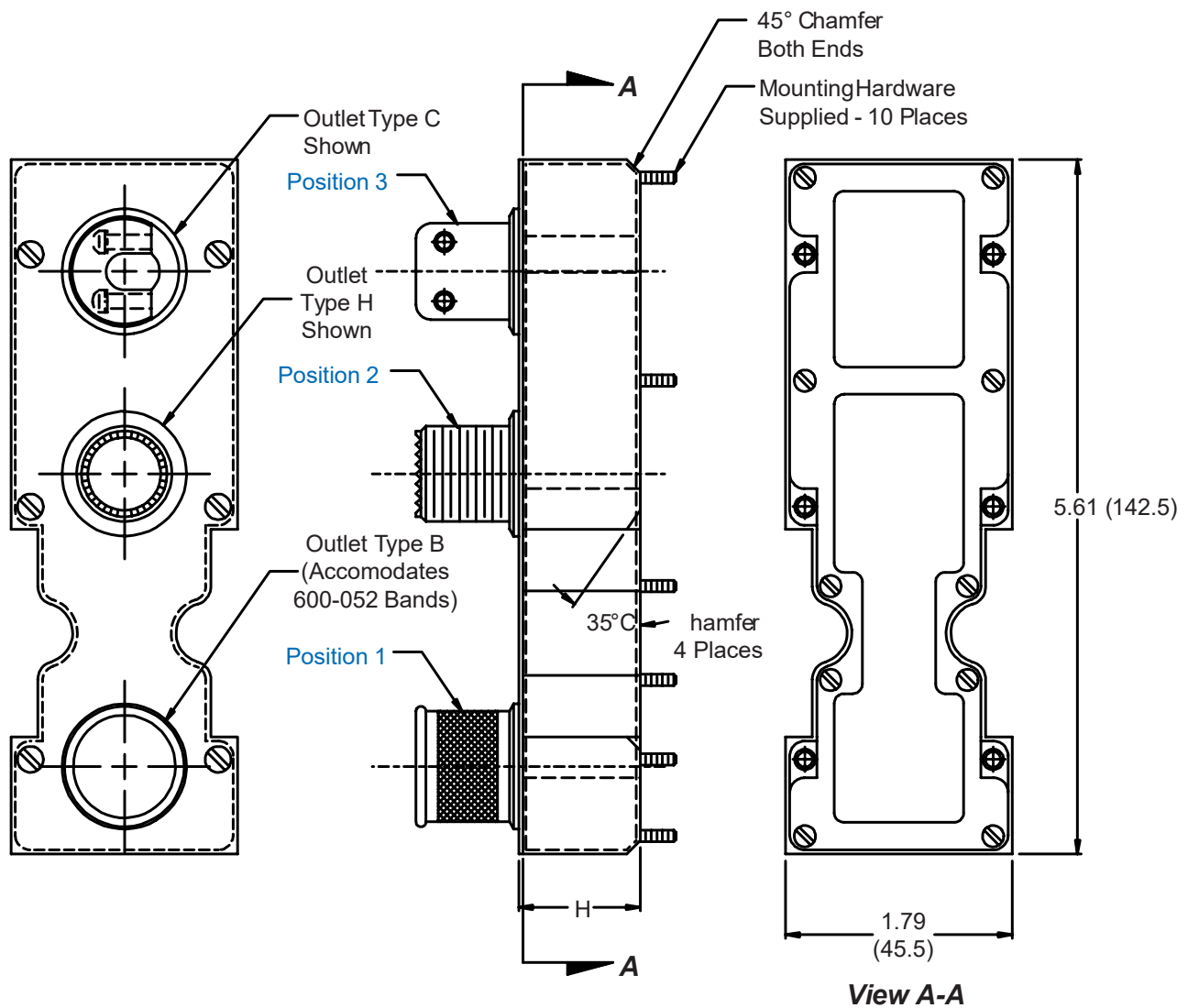
Connector Designator	Connector Description
P	All Manufacturer's Plug and Receptacle Shells, Except for Those Listed Below (Prior to ordering, consult factory with connector part numbers not listed below to ensure a proper fit.)
P1	Cannon BKAD****322 Series Plug
P2	Cannon/Radiall Environmental Plug
P3	Cannon/Boeing BACC 66 Plug
P5	Radial/Boeing BACC66 Plug
P6	Cannon BKAC & BKAE XXX322 Series Environmental Plug

1. Metric dimensions (mm) are indicated in parentheses.
2. Designate Symbol "T" (3 ring termination) for termination of individual and overall braid. Designate symbol "D" (2 ring termination) for termination of individual or overall braid.
3. Material/Finish:
Backshell, Nuts, Clamps, Ferrule = Al Alloy/See Table II
Hardware = SST/Passivate

527-047
Multi-Function Backshell
for Size 2 ARINC 600 Series Connector

527-047 NF P 01 03 05 A

Basic Part No. _____
 Finish (Table III) _____
 Connector Designator (Table IV) _____
 Dash No. (Table I) Position 1 _____
 Dash No. (Table I) Position 2 _____
 Dash No. (Table I) Position 3 _____
 Height Code (Table II) _____



Metric dimensions (mm) are indicated in parentheses.

527-047
Multi-Function Backshell
for Size 2 ARINC 600 Series Connector



TABLE I: CABLE ENTRY

Dash No.	Outlet Type	Cable Entry Max
01	B	.500 (12.7)
02	B	1.000 (25.4)
03*	H	.346 (8.8)
04**	H	.840 (21.3)
05	C	.312 (7.9)
06	C	.594 (15.1)
07	Omit	N/A

* Dash No. 03 mates with MIL-DTL-38999 Series III and IV Size 09 Accessories
** Dash No. 04 mates with MIL-DTL-38999 Series III and IV Size 17 Accessories

1. Metric dimensions (mm) are indicated in parentheses.
2. Material/Finish:
Backshell and Fittings = Al Alloy/See Table II
Hardware = SST/Passivate
3. Height code C not available with P2 or P6 connectors.

TABLE II

Height Code	H
A	1.00 (25.4)
B	1.25 (31.8)
C	.44 (11.2)
D	.84 (21.3)

TABLE III: FINISH OPTIONS

Symbol	Finish	Symbol	Finish
B	Cadmium Plate/Olive Drab	NC	Zinc Cobalt/Dark Olive Drab
C*	Black Anodize	NF	Cadmium Plate/Olive Drab over Electroless Nickel
G*	Anodic Hard Coat	T	Cadmium Plate/Bright over Electroless Nickel
J	Gold Iridite over Cadmium Plate over Electroless Nickel	U**	Cadmium Plate/Black
LF	Cadmium Plate/Bright over Electroless Nickel	ZN	Zinc-Nickel Alloy/Olive Drab
M	Electroless Nickel		
N	Cadmium Plate/Olive Drab over Electroless Nickel		

*Anodize finish is not suitable for EMI shielding or grounding applications.
**Applicable to corrosion resisting steel backshells and accessories. Consult factory for other available finishes.

TABLE IV: CONNECTOR DESIGNATOR

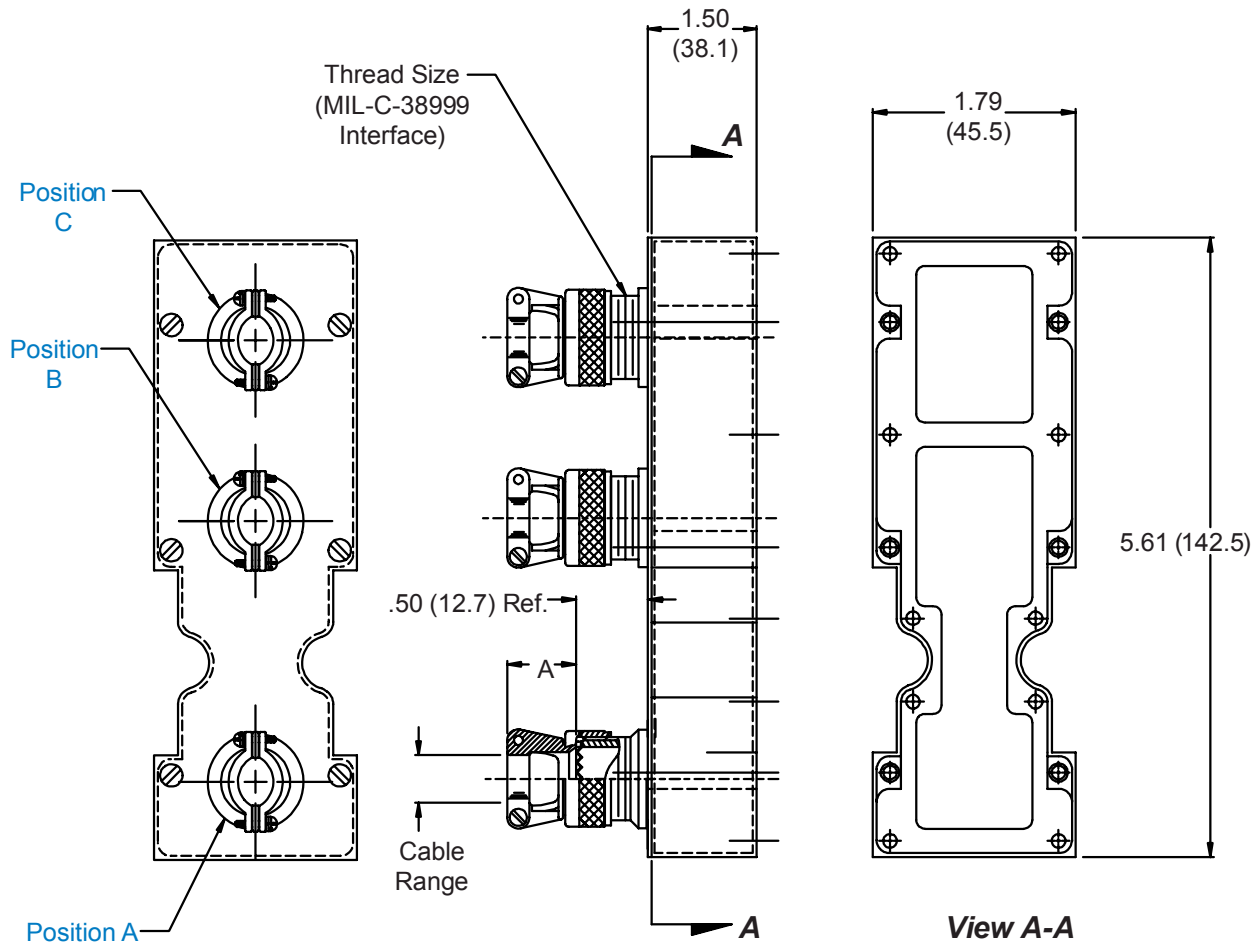
ARINC 600 series connector backshells are designed to replace the insert retainer plates for connector designators P, P1, P3 and P5, use screws provided by connector mfr. (P2 and P6 backshells require the use of the connector manufacturer's retainer plates with provided 5/16 screws). Due to non-standard modifications by the connector manufacturer, the backshell may require special design alterations to mate properly. The following should be used to determine if a backshell modification is required. Prior to ordering, consult factory with connector part numbers not shown to ensure a proper fit

Connector Designator	Connector Description
P	All Manufacturer's Plug and Receptacle Shells, Except for Those Listed Below (Prior to ordering, consult factory with connector part numbers not listed below to ensure a proper fit.)
P1	Cannon BKAD****322 Series Plug
P2	Cannon/Radiall Environmental Plug
P3	Cannon/Boeing BACC 66 Plug
P5	Radiall/Boeing BACC66 Plug
P6	Cannon BKAC & BKAE XXX322 Series Environmental Plug

527-149
Strain Relief Backshell
for Size 2 ARINC 600 Series Connector

527-149 NF P A3 B4 C5

Basic Part No. _____
 Finish (Table II) _____
 Connector Designator (Table III) _____
 Position and Dash No. (Table I) _____
 Omit Unwanted Positions



Metric dimensions (mm) are indicated in parentheses.

527-149
Strain Relief Backshell
for Size 2 ARINC 600 Series Connector



TABLE I: CABLE ENTRY

Dash No.	Shell Size Ref.	A Ref.	Thread Size	Cable Range			
				Min	Max	Min	Max
1	09	.800 (20.3)	M12 X 1.0	.098 (2.5)	.234 (5.9)		
2	11	.820 (20.8)	M15 X 1.0	.153 (3.9)	.234 (5.9)		
3	13	.870 (22.1)	M18 X 1.0	.190 (4.8)	.328 (8.3)		
4	15	.840 (21.3)	M22 X 1.0	.260 (6.6)	.457 (11.6)		
5	17	.910 (23.1)	M25 X 1.0	.283 (7.2)	.614 (15.6)		
6	19	1.000 (25.4)	M28 X 1.0	.325 (8.3)	.634 (16.1)		
7	21	1.030 (26.2)	M31 X 1.0	.343 (8.7)	.698 (17.7)		
8	23	1.160 (29.5)	M34 X 1.0	.381 (9.7)	.823 (20.9)		

TABLE II: FINISH OPTIONS

Symbol	Finish	Symbol	Finish
B	Cadmium Plate/Olive Drab	NC	Zinc Cobalt/Dark Olive Drab
C*	Black Anodize	NF	Cadmium Plate/Olive Drab over Electroless Nickel
G*	Anodic Hard Coat	T	Cadmium Plate/Bright over Electroless Nickel
J	Gold Iridite over Cadmium Plate over Electroless Nickel	U**	Cadmium Plate/Black
LF	Cadmium Plate/Bright over Electroless Nickel	ZN	Zinc-Nickel Alloy/Olive Drab
M	Electroless Nickel	*Anodize finish is not suitable for EMI shielding or grounding applications. **Applicable to corrosion resisting steel backshells and accessories. Consult factory for other available finishes.	
N	Cadmium Plate/Olive Drab over Electroless Nickel		

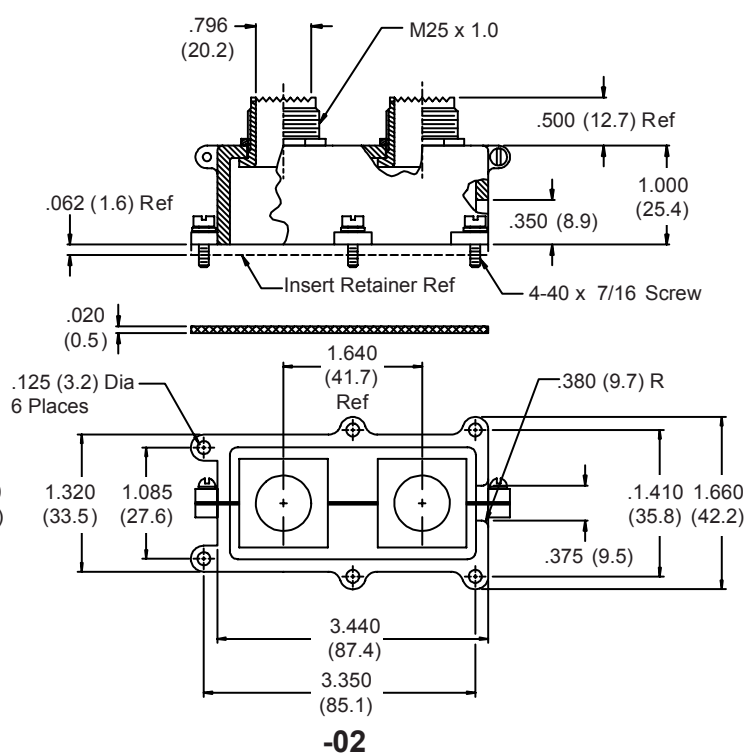
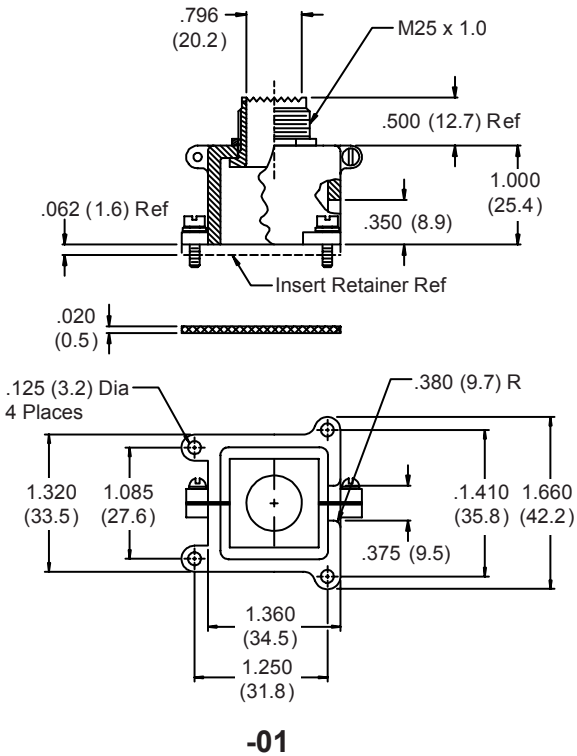
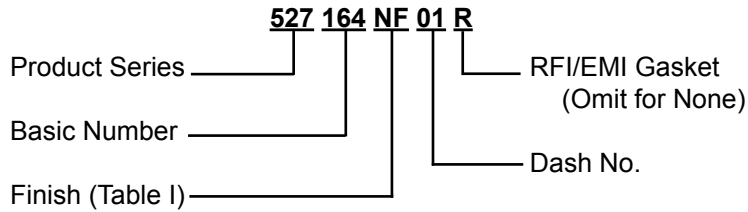
TABLE III: CONNECTOR DESIGNATOR

ARINC 600 series connector backshells are designed to replace the insert retainer plates. Due to non-standard modifications by the connector manufacturer, the backshell may require special design alterations to mate properly. The following should be used to determine if a backshell modification is required. Prior to ordering, consult factory with connector part numbers not shown to ensure a proper fit.

Connector Designator	Connector Description
P	All Manufacturer's Plug and Receptacle Shells, Except for Those Listed Below (Prior to ordering, consult factory with connector part numbers not listed below to ensure a proper fit.)
P1	Cannon BKAD****322 Series Plug
P2	Cannon/Radiall Environmental Plug
P3	Cannon/Boeing BACC 66 Plug
P5	Radiall/Boeing BACC66 Plug
P6	Cannon BKAC & BKAE XXX322 Series Environmental Plug

527-164 Backshell Assembly

with MIL-C-38999, Series III Accessory Threads
for Size 2 ARINC 600 Series Connectors



NOTES:

1. Metric dimensions (mm) are indicated in parentheses.
2. Backshell must be used in conjunction with Insert Retainer Plates.

Symbol	Finish	Symbol	Finish
B	Cadmium Plate/Olive Drab	NC	Zinc Cobalt/Dark Olive Drab
C*	Black Anodize	NF	Cadmium Plate/Olive Drab over Electroless Nickel
G*	Anodic Hard Coat	T	Cadmium Plate/Bright over Electroless Nickel
J	Gold Iridite over Cadmium Plate over Electroless Nickel	U**	Cadmium Plate/Black
LF	Cadmium Plate/Bright over Electroless Nickel	ZN	Zinc-Nickel Alloy/Olive Drab
N	Cadmium Plate/Olive Drab over Electroless Nickel		

*Anodize finish is not suitable for EMI shielding or grounding applications.
**Applicable to corrosion resisting steel backshells and accessories. Consult factory for other available finishes.

527-244
EMI/RFI Banding Backshell
 for Size 2 ARINC 600 Series Connectors
 with Wire Seal Grommet

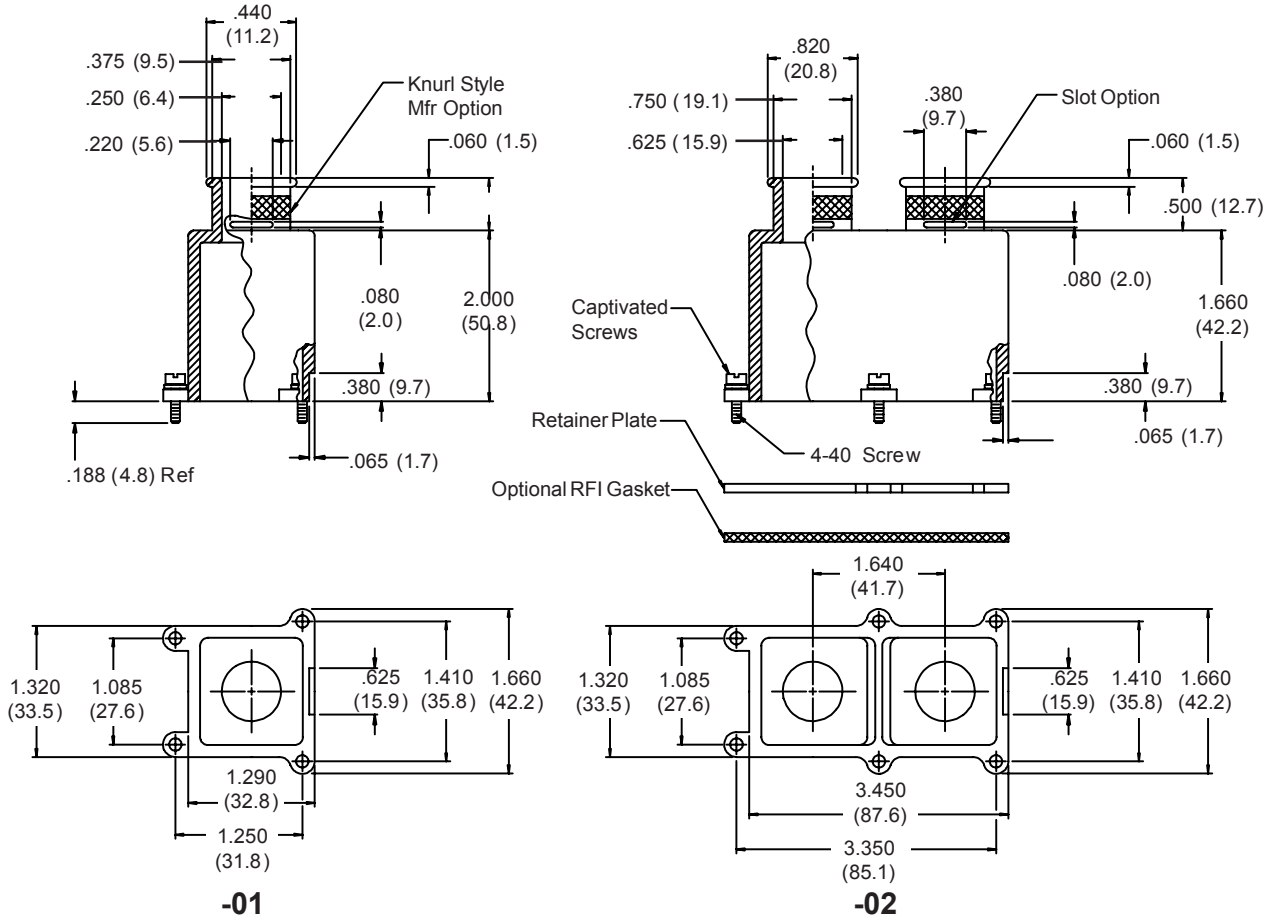
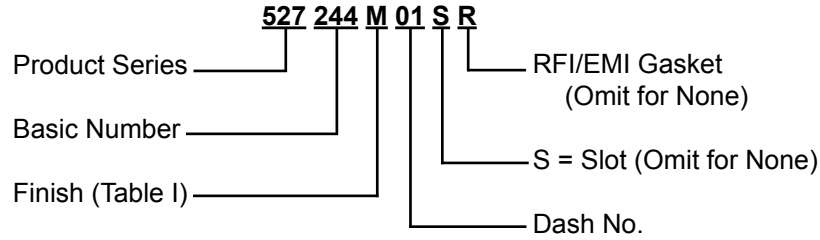


TABLE II: FINISH OPTIONS

Symbol	Finish	Symbol	Finish
B	Cadmium Plate/Olive Drab	NC	Zinc Cobalt/Dark Olive Drab
C*	Black Anodize	NF	Cadmium Plate/Olive Drab over Electroless Nickel
G*	Anodic Hard Coat	T	Cadmium Plate/Bright over Electroless Nickel
J	Gold Iridite over Cadmium Plate over Electroless Nickel	U**	Cadmium Plate/Black
LF	Cadmium Plate/Bright over Electroless Nickel	ZN	Zinc-Nickel Alloy/Olive Drab
M	Electroless Nickel		
N	Cadmium Plate/Olive Drab over Electroless Nickel		

*Anodize finish is not suitable for EMI shielding or grounding applications.
 **Applicable to corrosion resisting steel backshells and accessories. Consult factory for other available finishes.

NOTES:

1. Metric dimensions (mm) are indicated in parentheses.
2. Backshell must be used in conjunction with Insert Retainer Plates.

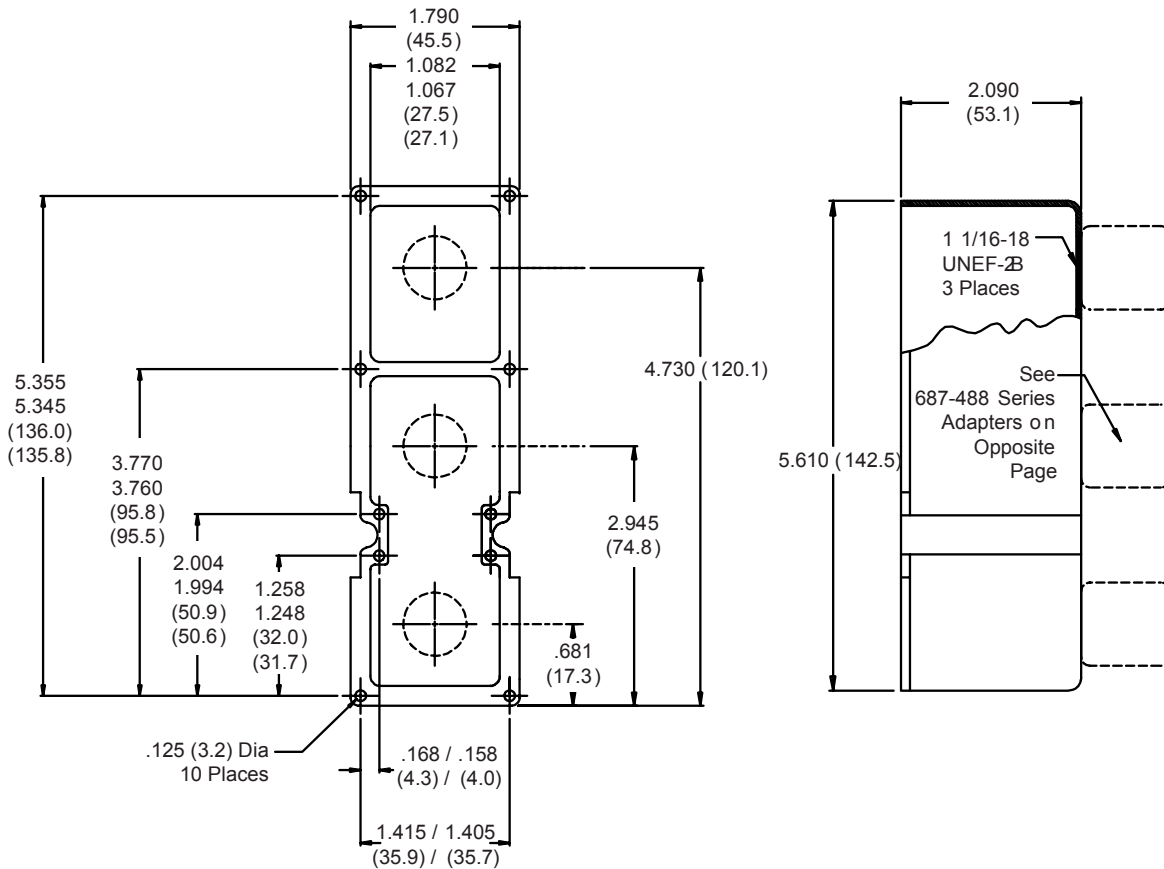
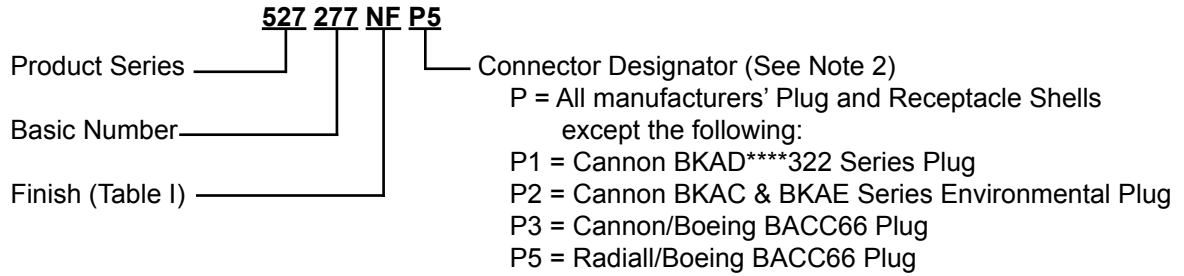


TABLE I : FINISH OPTIONS

Symbol	Finish	Symbol	Finish
B	Cadmium Plate/Olive Drab	NC	Zinc Cobalt/Dark Olive Drab
C*	Black Anodize	NF	Cadmium Plate/Olive Drab over Electroless Nickel
G*	Anodic Hard Coat	T	Cadmium Plate/Bright over Electroless Nickel
J	Gold Iridite over Cadmium Plate over Electroless Nickel	U**	Cadmium Plate/Black
LF	Cadmium Plate/Bright over Electroless Nickel	ZN	Zinc-Nickel Alloy/Olive Drab
M	Electroless Nickel		
N	Cadmium Plate/Olive Drab over Electroless Nickel		

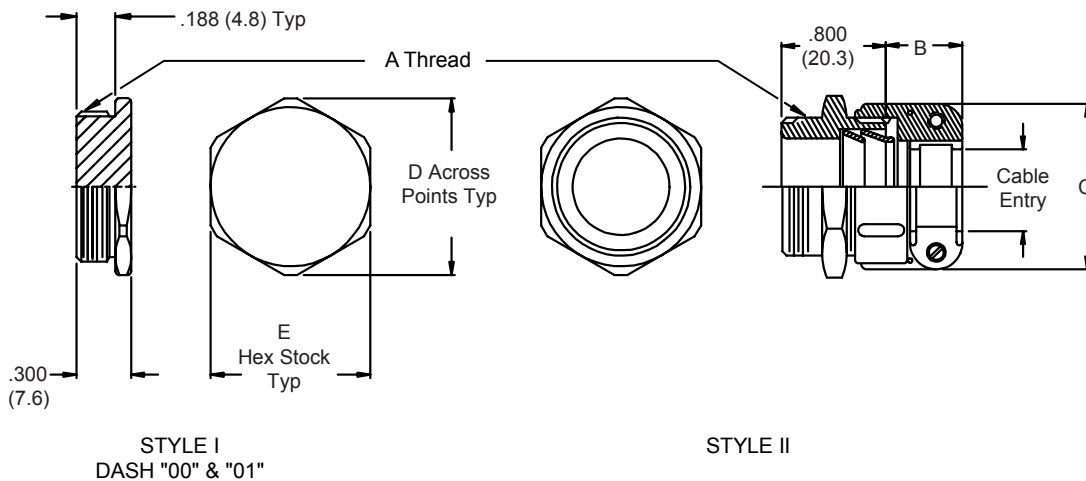
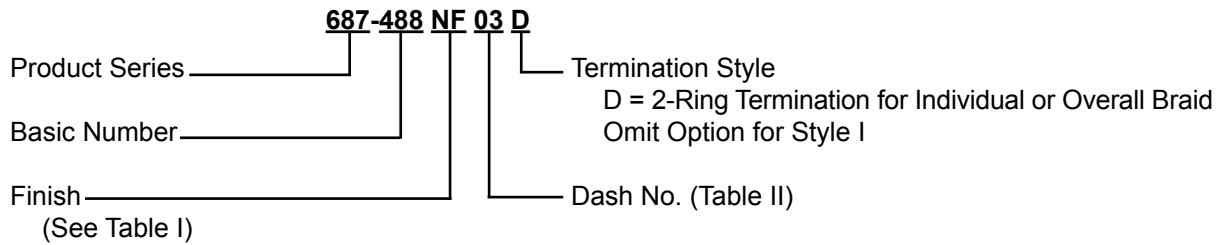
*Anodize finish is not suitable for EMI shielding or grounding applications.
 **Applicable to corrosion resisting steel backshells and accessories. Consult factory for other available finishes.

NOTES:

1. Metric dimensions (mm) are indicated in parentheses.
2. ARINC 600 Series Connector Backshells are designed to replace the insert retainer plates. Due to non-standard modifications by the connector manufacturer, the backshell may require special design alterations to mate properly. Prior to ordering, consult factory with connector part numbers not shown in the Part Number Development to ensure a proper fit.

Metric dimensions (mm) are indicated in parentheses.

687-488
EMI/RFI Adapter or Cap
 for 527-277 Feed Through Backshell (on previous page)

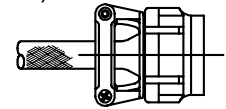
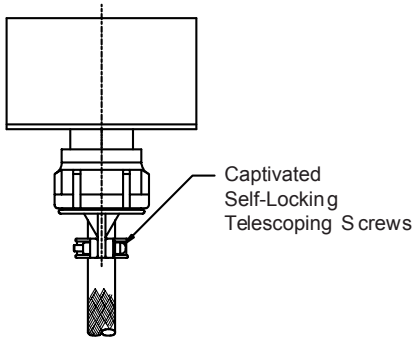
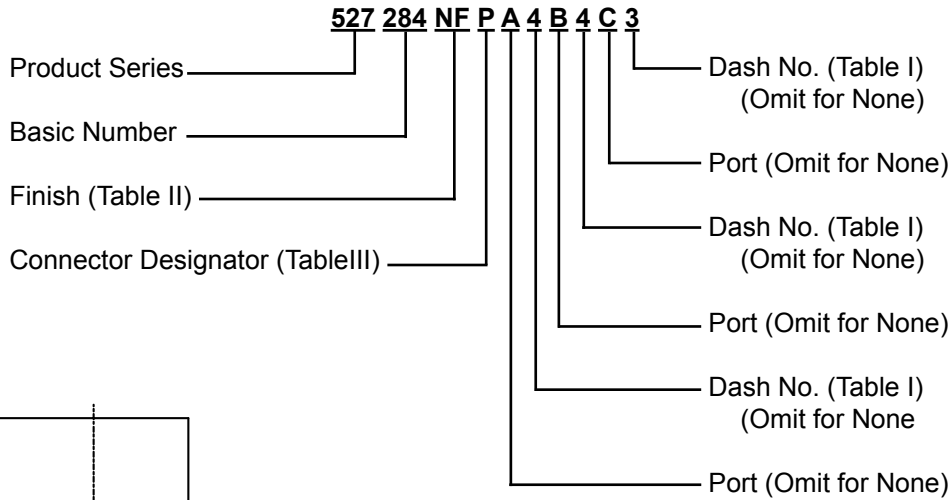


Symbol	Finish	Symbol	Finish
B	Cadmium Plate/Olive Drab	NC	Zinc Cobalt/Dark Olive Drab
C*	Black Anodize	NF	Cadmium Plate/Olive Drab over Electroless Nickel
G*	Anodic Hard Coat	T	Cadmium Plate/Bright over Electroless Nickel
J	Gold Iridite over Cadmium Plate over Electroless Nickel	U**	Cadmium Plate/Black
LF	Cadmium Plate/Bright over Electroless Nickel	ZN	Zinc-Nickel Alloy/Olive Drab
M	Electroless Nickel	*Anodize finish is not suitable for EMI shielding or grounding applications. **Applicable to corrosion resisting steel backshells and accessories. Consult factory for other available finishes.	
N	Cadmium Plate/Olive Drab over Electroless Nickel		

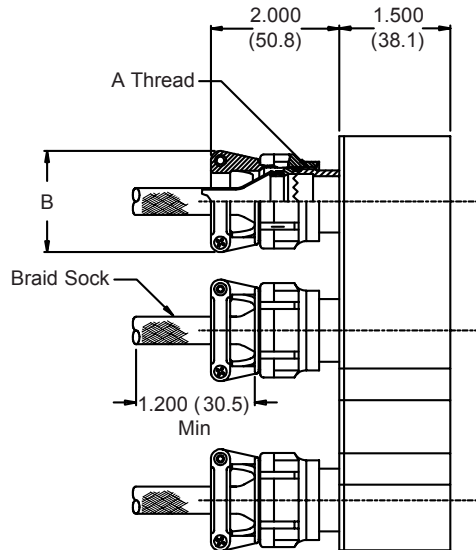
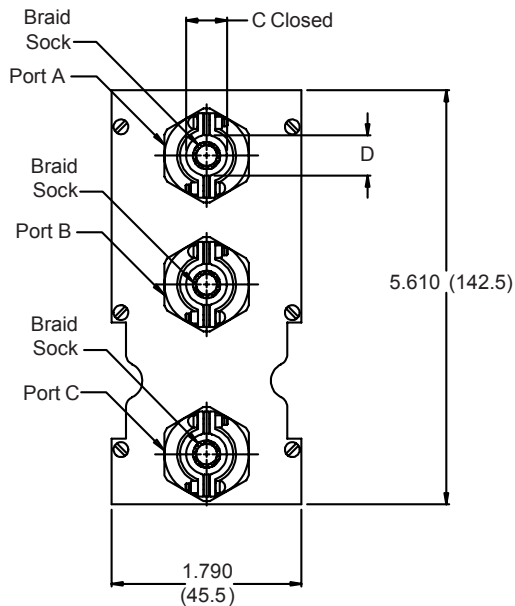
Dash No.	Style	A Thread Class 2A	B Max	C Max	D Ref	E	Cable Range	
							Min	Max
00	I	1 1/16-18 UNEF	—	—	1.250 (31.8)	1.125 (28.6)	—	—
01	I	15/16-20 UNEF	—	—	1.250 (28.6)	1.000 (25.4)	—	—
03	II	1 1/16-18 UNEF	.760 (19.3)	.844 (21.4)	1.250 (31.8)	1.125 (28.6)	.157 (4.0)	.250 (6.4)
04	II	1 1/16-18 UNEF	.760 (19.3)	.906 (23.0)	1.250 (31.8)	1.125 (28.6)	.187 (4.7)	.312 (7.9)
06	II	1 1/16-18 UNEF	.760 (19.3)	1.093 (27.8)	1.250 (31.8)	1.125 (28.6)	.281 (7.1)	.437 (11.1)
08	II	1 1/16-18 UNEF	.760 (19.3)	1.187 (30.1)	1.250 (31.8)	1.125 (28.6)	.344 (8.7)	.562 (14.3)
10	II	1 1/16-18 UNEF	.760 (19.3)	1.281 (32.5)	1.250 (31.8)	1.125 (28.6)	.375 (9.5)	.625 (15.9)
12	II	1 1/16-18 UNEF	.760 (19.3)	1.500 (38.1)	1.375 (34.9)	1.250 (31.8)	.438 (11.1)	.750 (19.1)
16	II	1 1/16-18 UNEF	1.073 (27.3)	1.719 (43.7)	1.620 (41.1)	1.500 (38.1)	.562 (14.3)	.938 (23.8)

Metric dimensions (mm) are indicated in parentheses.

527-284 EMI/RFI Shield Sock Backshell with Strain-Relief for Size 2 ARINC 600 Series Connectors



**STRAIN RELIEF
WITH BRAID
SOCK
(447HS557-***)**



Metric dimensions (mm) are indicated in parentheses.

527-284

EMI/RFI Shield Sock Backshell with Strain-Relief for Size 2 ARINC 600 Series Connectors



TABLE I: CABLE ENTRY

Dash No.	Shell Size Ref	A THREAD ISO METRIC	B Max	C +.031 (0.8)	D Min
1	09	M12 x 1.0 -6H	.980 (24.9)	.265 (6.7)	.220 (5.6)
2	11	M15 x 1.0 -6H	1.050 (26.7)	.310 (7.9)	.270 (6.9)
3	13	M18 x 1.0 -6H	1.200 (30.5)	.390 (9.9)	.350 (8.9)
4	15	M22 x 1.0 -6H	1.300 (33.0)	.506 (12.9)	.470 (11.9)
5	17	M25 x 1.0 -6H	1.440 (36.6)	.591 (15.0)	.550 (14.0)
6	19	M28 x 1.0 -6H	1.560 (39.6)	.661 (16.8)	.620 (15.7)
7	21	M31 x 1.0 -6H	1.690 (42.9)	.744 (18.9)	.700 (17.8)
8*	23	M34 x 1.0 -6H	1.770 (45.0)	.826 (21.0)	.780 (19.8)
9*	25	M37 x 1.0 -6H	1.890 (48.0)	.896 (22.8)	.850 (21.6)

*Consult factory for availability.

**TABLE II:
FINISH OPTIONS**

Symbol	Finish
B	Cadmium Plate/Olive Drab
C*	Black Anodize
G*	Anodic Hard Coat
J	Gold Iridite over Cadmium Plate over Electroless Nickel
LF	Cadmium Plate/Bright over Electroless Nickel
M	Electroless Nickel
N	Cadmium Plate/Olive Drab over Electroless Nickel
NC	Zinc Cobalt/Dark Olive Drab
NF	Cadmium Plate/Olive Drab over Electroless Nickel
T	Cadmium Plate/Bright over Electroless Nickel
U**	Cadmium Plate/Black
ZN	Zinc-Nickel Alloy/Olive Drab

*Anodize finish is not suitable for EMI shielding or grounding applications.

**Applicable to corrosion resisting steel backshells and accessories. Consult factory for other available finishes.

TABLE III: CONNECTOR DESIGNATOR

ARINC 600 series connector backshells are designed to replace the insert retainer plates. Due to non-standard modifications by the connector manufacturer, the backshell may require special design alterations to mate properly. The following should be used to determine if a backshell modification is required. Prior to ordering, consult factory with connector part numbers not shown to ensure a proper fit.

Connector Designator	Connector Description
P	All Manufacturer's Plug and Receptacle Shells, Except for Those Listed Below (Prior to ordering, consult factory with connector part numbers not listed below to ensure a proper fit.)
P1	Cannon BKAD****322 Series Plug
P2	Cannon/Radiall Environmental Plug
P3	Cannon/Boeing BACC 66 Plug
P5	Radiall/Boeing BACC66 Plug
P6	Cannon BKAC & BKAE XXX322 Series Environmental Plug

NOTES:

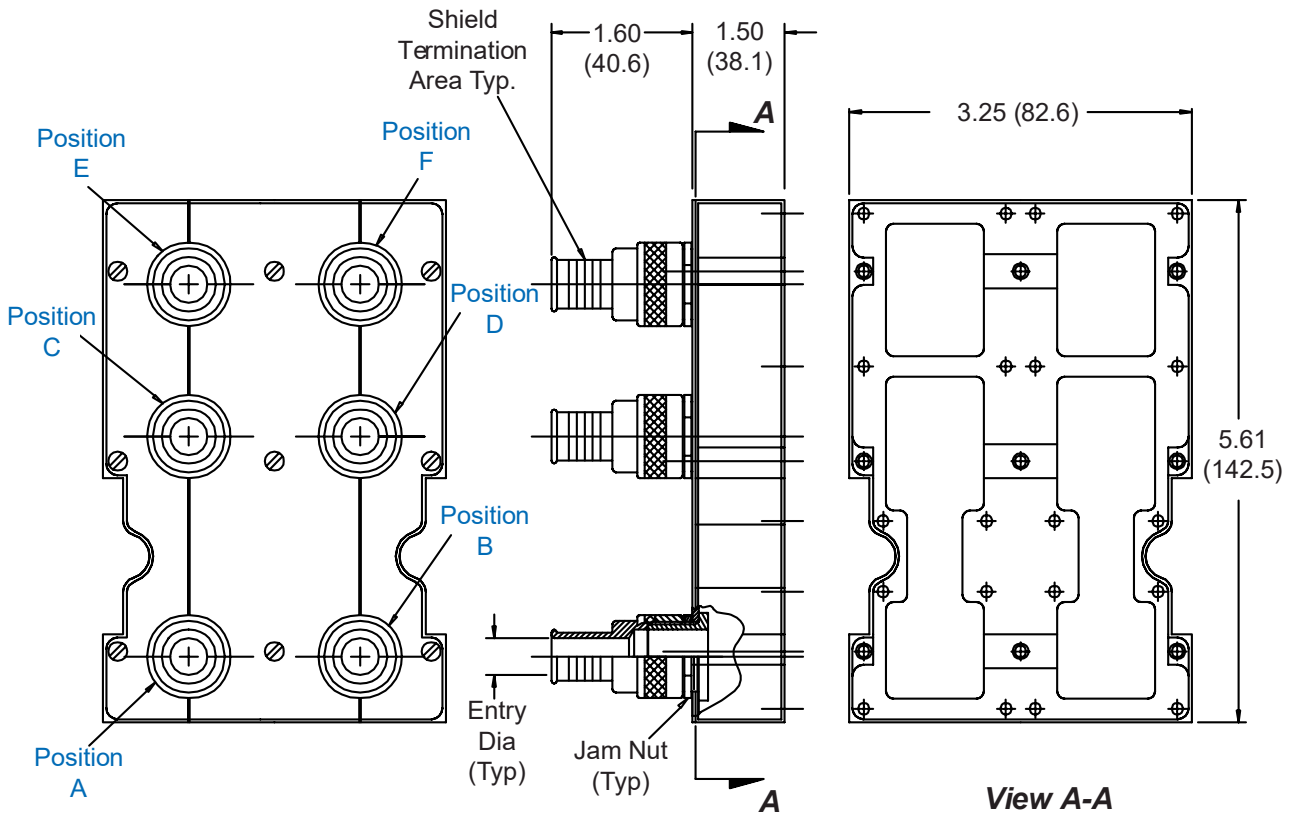
1. Metric dimensions (mm) are indicated in parentheses.

527-108
EMI/RFI Banding Backshell
for Size 3 ARINC 600 Series Connector

527-108 NF P A4 B4 C4 D4 E4 F4 B

Basic Part No. _____
 Finish (Table II) _____
 Connector Designator (Table III) _____

B = Band(s) Supplied 600-052, One Per Entry Location, Omit for None
 Position and Dash No. (Table I)
 Omit Unwanted Positions



Metric dimensions (mm) are indicated in parentheses.

527-108
EMI/RFI Banding Backshell
for Size 3 ARINC 600 Series Connector



**TABLE I:
CABLE ENTRY**

Dash No.	Entry Dia	(mm)
4	.50	(12.7)
5	.63	(16.0)
6	.75	(19.1)
7	.88	(22.4)
8	1.00	(25.4)
9	1.13	(28.7)

TABLE II: FINISH OPTIONS

Symbol	Finish	Symbol	Finish
B	Cadmium Plate/Olive Drab	NC	Zinc Cobalt/Dark Olive Drab
C*	Black Anodize	NF	Cadmium Plate/Olive Drab over Electroless Nickel
G*	Anodic Hard Coat	T	Cadmium Plate/Bright over Electroless Nickel
J	Gold Iridite over Cadmium Plate over Electroless Nickel	U**	Cadmium Plate/Black
LF	Cadmium Plate/Bright over Electroless Nickel	ZN	Zinc-Nickel Alloy/Olive Drab
M	Electroless Nickel	*Anodize finish is not suitable for EMI shielding or grounding applications. **Applicable to corrosion resisting steel backshells and accessories. Consult factory for other available finishes.	
N	Cadmium Plate/Olive Drab over Electroless Nickel		

TABLE III: CONNECTOR DESIGNATOR

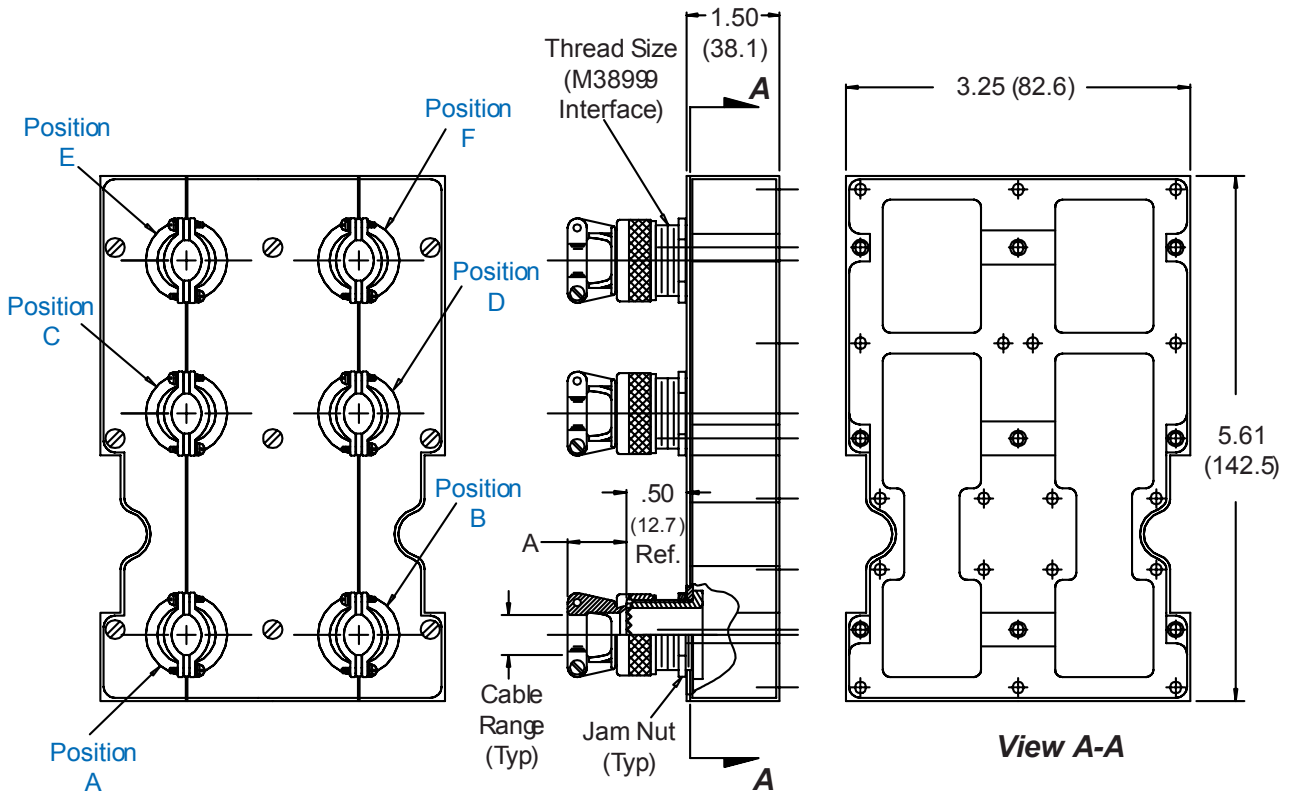
ARINC 600 series connector backshells are designed to replace the insert retainer plates for connector designators P, P1, P3 and P5 (P2 and P6 backshells require the use of the connector manufacturer's retainer plates). Due to non-standard modifications by the connector manufacturer, the backshell may require special design alterations to mate properly. The following should be used to determine if a backshell modification is required. Prior to ordering, consult factory with connector part numbers not shown to ensure a proper fit

Connector Designator	Connector Description
P	All Manufacturer's Plug and Receptacle Shells, Except for Those Listed Below (Prior to ordering, consult factory with connector part numbers not listed below to ensure a proper fit.)
P1	Cannon BKAD****322 Series Plug
P2	Cannon/Radiall Environmental Plug
P3	Cannon/Boeing BACC 66 Plug
P5	Radiall/Boeing BACC66 Plug
P6	Cannon BKAC & BKAE XXX322 Series Environmental Plug

1. Metric dimensions (mm) are indicated in parentheses.
2. Material/Finish:
 Backshell, Fittings, Nuts, Clamps = Al Alloy/See Table II;
 Hardware = SST/Passivate

527-126 Strain Relief Backshell for Size 3 ARINC 600 Series Connector

	527-126	NF	P	A4	B4	C4	D4	E4	F4
Basic Part No.									
Finish (Table II)									
Connector Designator (Table III)									
Position and Dash No. (Table I)									
Omit Unwanted Positions									



Metric dimensions (mm) are indicated in parentheses.

527-126
Strain Relief Backshell
for Size 3 ARINC 600 Series Connector



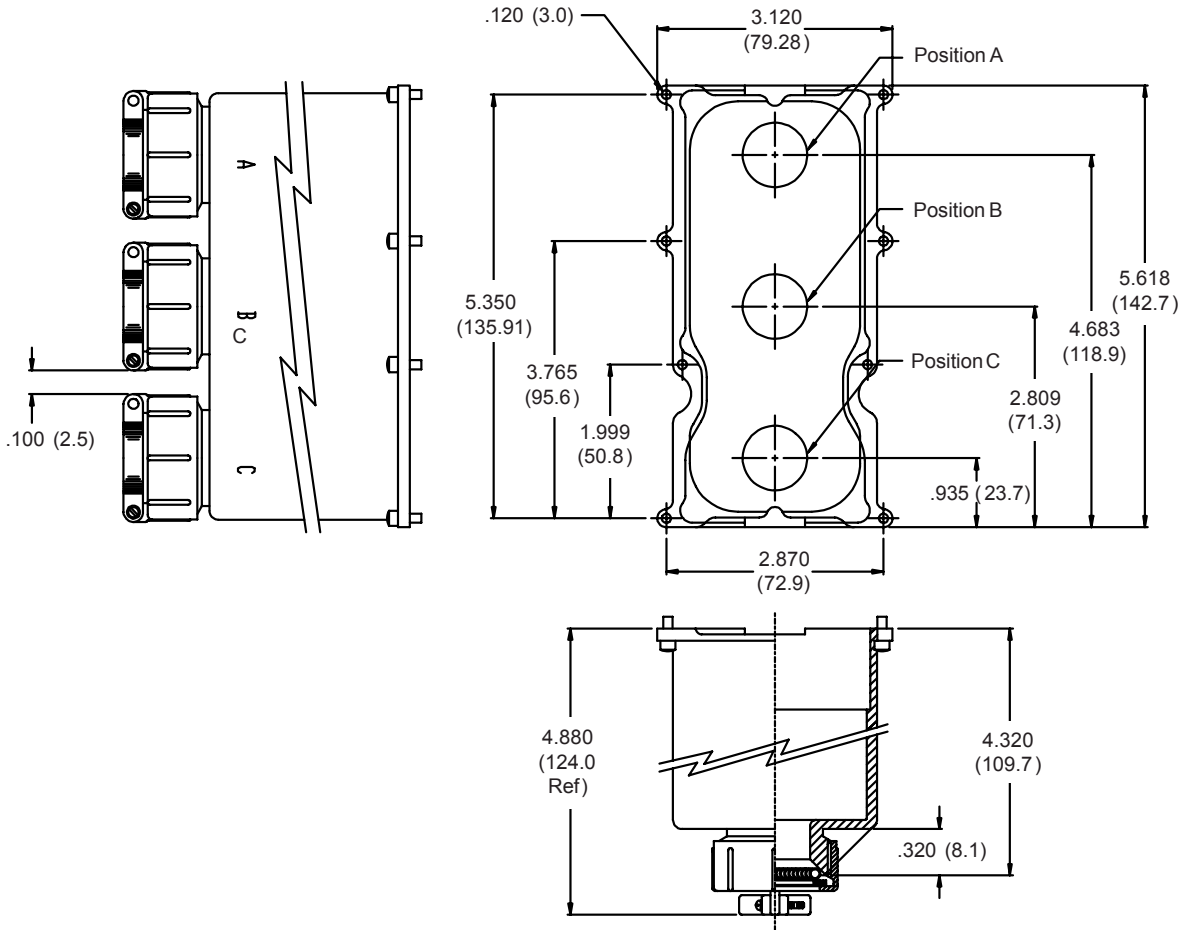
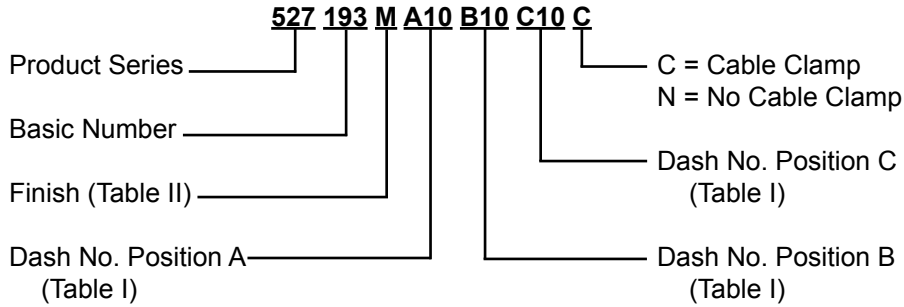
TABLE I: CABLE ENTRY						
Dash No.	Shell Size Ref.	A Ref.	Thread Size	Cable Range		
				Min	Max	
3	13	.790 (20.1)	M18 X 1.0	.190 (4.8)	.328 (8.3)	
4	15	.790 (20.1)	M22 X 1.0	.260 (6.6)	.457 (11.6)	
5	17	.915 (23.2)	M25 X 1.0	.283 (7.2)	.614 (15.6)	
6	19	1.165 (29.6)	M28 X 1.0	.325 (8.3)	.634 (16.1)	

TABLE II: FINISH OPTIONS			
Symbol	Finish	Symbol	Finish
B	Cadmium Plate/Olive Drab	NC	Zinc Cobalt/Dark Olive Drab
C*	Black Anodize	NF	Cadmium Plate/Olive Drab over Electroless Nickel
G*	Anodic Hard Coat	T	Cadmium Plate/Bright over Electroless Nickel
J	Gold Iridite over Cadmium Plate over Electroless Nickel	U**	Cadmium Plate/Black
LF	Cadmium Plate/Bright over Electroless Nickel	ZN	Zinc-Nickel Alloy/Olive Drab
M	Electroless Nickel	*Anodize finish is not suitable for EMI shielding or grounding applications. **Applicable to corrosion resisting steel backshells and accessories. Consult factory for other available finishes.	
N	Cadmium Plate/Olive Drab over Electroless Nickel		

TABLE III: CONNECTOR DESIGNATOR	
<p>ARINC 600 series connector backshells are designed to replace the insert retainer plates. Due to non-standard modifications by the connector manufacturer, the backshell may require special design alterations to mate properly. The following should be used to determine if a backshell modification is required. Prior to ordering, consult factory with connector part numbers not shown to ensure a proper fit.</p>	
Connector Designator	Connector Description
P	All Manufacturer's Plug and Receptacle Shells, Except for Those Listed Below (Prior to ordering, consult factory with connector part numbers not listed below to ensure a proper fit.)
P1	Cannon BKAD****322 Series Plug
P2	Cannon BKAC & BKAE Series Environmental
P3	Plug
P5	Cannon/Boeing BACC66 Plug
P6	Radial/Boeing BACC66 Plug

1. Metric dimensions (mm) are indicated in parentheses.
2. Material/Finish:
Backshell, Fittings, Nuts, Clamps = Al Alloy/See Table II
Hardware = SST/Passivate

527-193 EMI/RFI Backshell Assembly for Size 3 ARINC 600 Series Connectors



Metric dimensions (mm) are indicated in parentheses.

527-193
EMI/RFI Backshell Assembly
 for Size 3 ARINC 600 Series Connectors



TABLE I: CABLE ENTRY

Dash No.	Cable Range		X Dia
	Min	Max	
01	.062 (1.6)	.125 (3.2)	.620 (15.7)
02	.125 (3.2)	.250 (6.4)	.750 (19.1)
03	.157 (4.0)	.375 (9.5)	.870 (22.1)
04	.282 (7.2)	.500 (12.7)	1.000 (25.4)
05	.407 (10.3)	.625 (15.9)	1.120 (28.4)
06	.532 (13.5)	.750 (19.1)	1.250 (31.8)
07	.657 (16.7)	.875 (22.2)	1.370 (34.8)
08	.782 (19.9)	1.000 (25.4)	1.500 (38.1)
09	.907 (23.0)	1.125 (28.6)	1.620 (41.1)
10	1.032 (26.2)	1.250 (31.8)	1.750 (44.5)

TABLE II: FINISH OPTIONS

Symbol	Finish
B	Cadmium Plate/Olive Drab
C*	Black Anodize
G*	Anodic Hard Coat
J	Gold Iridite over Cadmium Plate over Electroless Nickel
LF	Cadmium Plate/Bright over Electroless Nickel
M	Electroless Nickel
N	Cadmium Plate/Olive Drab over Electroless Nickel
NC	Zinc Cobalt/Dark Olive Drab
NF	Cadmium Plate/Olive Drab over Electroless Nickel
T	Cadmium Plate/Bright over Electroless Nickel
U**	Cadmium Plate/Black
ZN	Zinc-Nickel Alloy/Olive Drab

*Anodize finish is not suitable for EMI shielding or grounding applications.

**Applicable to corrosion resisting steel backshells and accessories. Consult factory for other available finishes.

TABLE III: CONNECTOR DESIGNATOR

ARINC 600 series connector backshells are designed to replace the insert retainer plates. Due to non-standard modifications by the connector manufacturer, the backshell may require special design alterations to mate properly. The following should be used to determine if a backshell modification is required. Prior to ordering, consult factory with connector part numbers not shown to ensure a proper fit.

Connector Designator	Connector Description
P1	Cannon BKAD****322 Series Plug
P2	Cannon/Radiall Environmental Plug
P3	Cannon/Boeing BACC 66 Plug
P5	Radiall/Boeing BACC66 Plug
P6	Cannon BKAC & BKAE XXX322 Series Environmental Plug

Metric dimensions (mm) are indicated in parentheses.

527-248
EMI/RFI Shield Sock Backshell
with Strain-Relief and 30° Cable Entries
for Size 3 ARINC 600 Series Connectors

527 248 NF P

Product Series

Basic Number

Connector Designator (See Note 2)

P = All manufacturers' Plug and Receptacle Shells except the following:

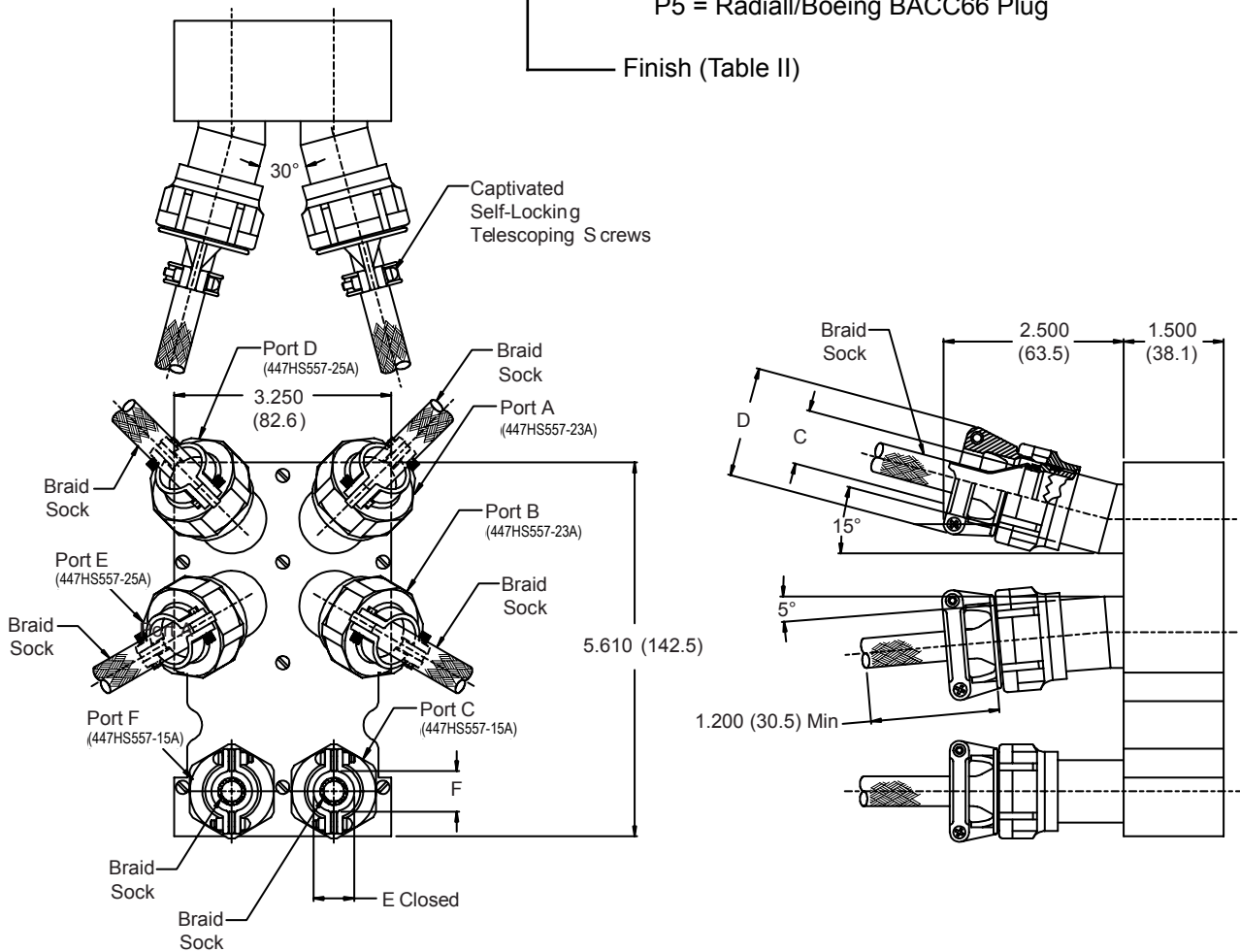
P1 = Cannon BKAD****322 Series Plug

P2 = Cannon BKAC & BKAE Series Environmental Plug

P3 = Cannon/Boeing BACC66 Plug

P5 = Radiall/Boeing BACC66 Plug

Finish (Table II)



Metric dimensions (mm) are indicated in parentheses.

EMI/RFI Shield Sock Backshell with Strain-Relief and 30° Cable Entries for Size 3 ARINC 600 Series Connectors



TABLE I: CABLE ENTRY

Port	C Min	D Max	E +.031 (0.8)	F Min
A	1.091 (27.7)	1.770 (45.0)	.826 (21.0)	.780 (19.8)
B	1.091 (27.7)	1.770 (45.0)	.826 (21.0)	.780 (19.8)
C	.630 (16.0)	1.300 (33.0)	.460 (11.7)	.470 (11.9)
D	1.217 (30.9)	1.890 (48.0)	.826 (21.0)	.850 (21.6)
E	1.217 (30.9)	1.890 (48.0)	.826 (21.0)	.850 (21.6)
F	.630 (16.0)	1.300 (33.0)	.460 (11.7)	.470 (11.9)

TABLE II:
FINISH OPTIONS

Symbol	Finish
B	Cadmium Plate/Olive Drab
C*	Black Anodize
G*	Anodic Hard Coat
J	Gold Iridite over Cadmium Plate over Electroless Nickel
LF	Cadmium Plate/Bright over Electroless Nickel
M	Electroless Nickel
N	Cadmium Plate/Olive Drab over Electroless Nickel
NC	Zinc Cobalt/Dark Olive Drab
NF	Cadmium Plate/Olive Drab over Electroless Nickel
T	Cadmium Plate/Bright over Electroless Nickel
U**	Cadmium Plate/Black
ZN	Zinc-Nickel Alloy/Olive Drab

*Anodize finish is not suitable for EMI shielding or grounding applications.

**Applicable to corrosion resisting steel backshells and accessories. Consult factory for other available finishes.

TABLE III: CONNECTOR DESIGNATOR

ARINC 600 series connector backshells are designed to replace the insert retainer plates. Due to non-standard modifications by the connector manufacturer, the backshell may require special design alterations to mate properly. The following should be used to determine if a backshell modification is required. Prior to ordering, consult factory with connector part numbers not shown to ensure a proper fit.

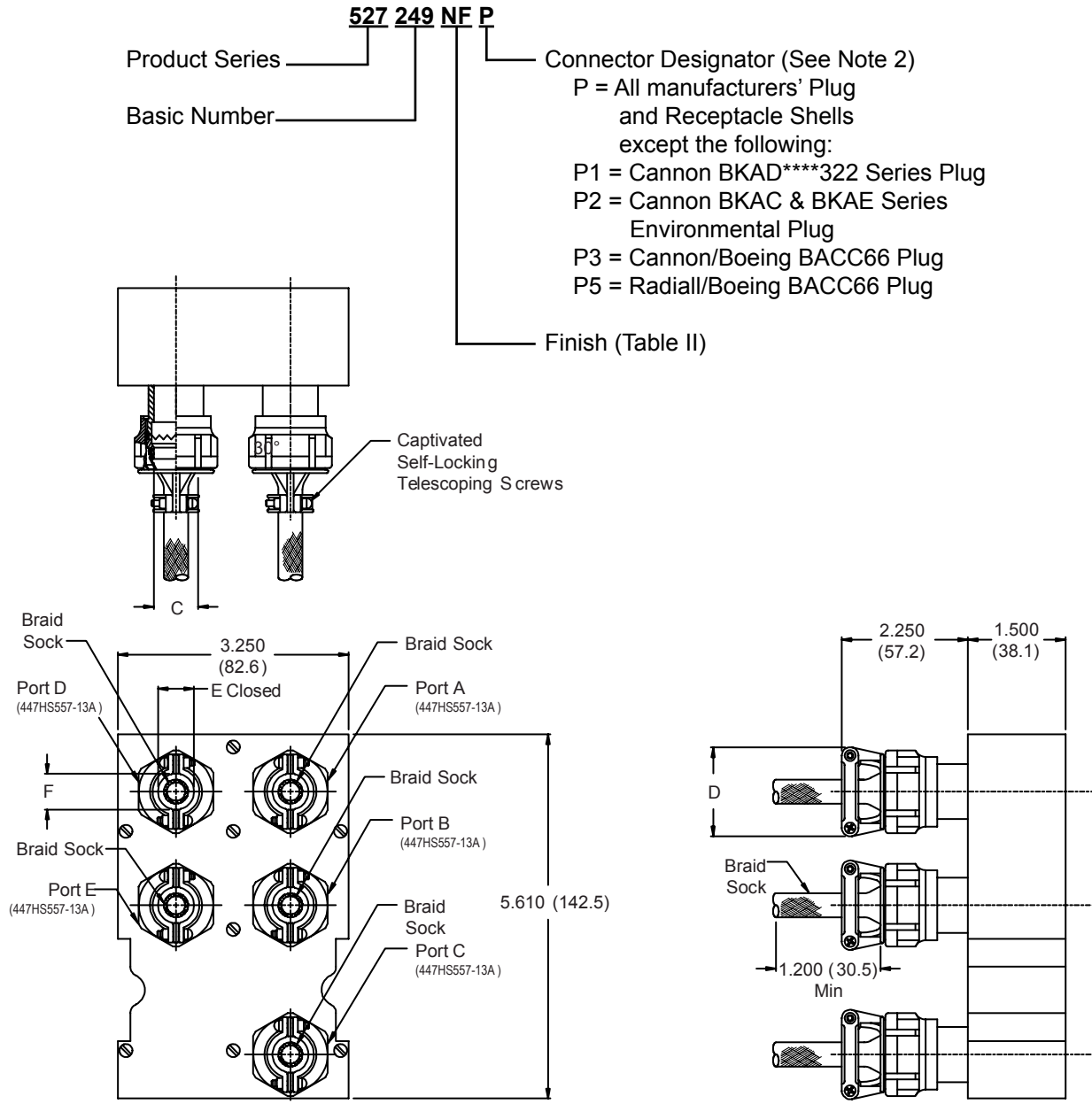
Connector**Designator Connector Description**

P	All Manufacturer's Plug and Receptacle Shells, Except for Those Listed Below (Prior to ordering, consult factory with connector part numbers not listed below to ensure a proper fit.)
P1	Cannon BKAD****322 Series Plug
P2	Cannon/Radial Environmental Plug
P3	Cannon/Boeing BACC 66 Plug
P5	Radial/Boeing BACC66 Plug
P6	Cannon BKAC & BKAE XXX322 Series Environmental Plug

NOTES:

- Metric dimensions (mm) are indicated in parentheses.
- ARINC 600 Series Connector Backshells are designed to replace the insert retainer plates. Due to non-standard modifications by the connector manufacturer, the backshell may require special design alterations to mate properly. Prior to ordering, consult factory with connector part numbers not shown in the Part Number Development to ensure a proper fit.

527-249 EMI/RFI Shield Sock Backshell with Strain-Relief for Size 3 ARINC 600 Series Connectors



Metric dimensions (mm) are indicated in parentheses.

527-249
EMI/RFI Shield Sock Backshell with Strain-Relief
for Size 3 ARINC 600 Series Connectors



TABLE I: CABLE ENTRY

Port	C		D		E		F	
	Min	Max	Min	Max	+0.031 (0.8)	Min	Max	
A	.390 (9.9)	1.050 (26.7)	.310 (7.9)	.270 (6.9)				
B	.504 (12.8)	1.200 (30.5)	.390 (9.9)	.350 (8.9)				
C	.504 (12.8)	1.200 (30.5)	.390 (9.9)	.350 (8.9)				
D	.969 (24.6)	1.690 (42.9)	.700 (17.8)	.700 (17.8)				
E	.630 (16.0)	1.300 (33.0)	.506 (12.9)	.470 (11.9)				

TABLE II: FINISH OPTIONS

Symbol	Finish
B	Cadmium Plate/Olive Drab
C*	Black Anodize
G*	Anodic Hard Coat
J	Gold Iridite over Cadmium Plate over Electroless Nickel
LF	Cadmium Plate/Bright over Electroless Nickel
M	Electroless Nickel
N	Cadmium Plate/Olive Drab over Electroless Nickel
NC	Zinc Cobalt/Dark Olive Drab
NF	Cadmium Plate/Olive Drab over Electroless Nickel
T	Cadmium Plate/Bright over Electroless Nickel
U**	Cadmium Plate/Black
ZN	Zinc-Nickel Alloy/Olive Drab

*Anodize finish is not suitable for EMI shielding or grounding applications.

**Applicable to corrosion resisting steel backshells and accessories. Consult factory for other available finishes.

TABLE III: CONNECTOR DESIGNATOR

ARINC 600 series connector backshells are designed to replace the insert retainer plates. Due to non-standard modifications by the connector manufacturer, the backshell may require special design alterations to mate properly. The following should be used to determine if a backshell modification is required. Prior to ordering, consult factory with connector part numbers not shown to ensure a proper fit.

Connector

Designator Connector Description

P	All Manufacturer's Plug and Receptacle Shells, Except for Those Listed Below (Prior to ordering, consult factory with connector part numbers not listed below to ensure a proper fit.)
P1	Cannon BKAD****322 Series Plug
P2	Cannon/Radiall Environmental Plug
P3	Cannon/Boeing BACC 66 Plug
P5	Radiall/Boeing BACC66 Plug
P6	Cannon BKAC & BKAE XXX322 Series Environmental Plug

NOTES:

1. Metric dimensions (mm) are indicated in parentheses.
2. ARINC 600 Series Connector Backshells are designed to replace the insert retainer plates. Due to non-standard modifications by the connector manufacturer, the backshell may require special design alterations to mate properly. Prior to ordering, consult factory with connector part numbers not shown in the Part Number Development to ensure a proper fit.



PRODUCT FEATURES

- Top, Side and 45° Cable Entry Locations
- Mechanical and Electrical Integrity Maintained by Backshell Entrapment of Connectors
- Split Backshell Designs Provide Easy Assembly and Convenient Service and Maintenance Access
- Wide Selection of Material Finishes
- Special Tag®-Ring and G-Spring EMI/RFI Shield Termination Backshells
- Saddle Clamp and Gland Nut Strain Relief Backshells Available

Strain-Reliefs, Shorting Caps, G-Springs, Solid and Split-Shell Designs—everything for the ARINC Series 400 Style Interconnect Assembly

Complete Selection Includes Every Functional Requirement

Glenair's line of RFI/EMI backshells for Cannon DPKA, DPKB, DPJM, DPXA, DPX3, DPX4 and DL2-96 connectors is very complete.

Every functional requirement - from overall and individual shield termination to basic saddle-bar style strain-relief is included in Glenair's backshell series for ARINC 400 type connectors.

The backshells are built from rugged aluminum alloy and are available in all common surface finishes and cable entry configurations.



"Marshal Bean" Protective
Rubber Covers
Page G-16-17

*"To Protect
and to Serve"*



547-002 EMI/RFI TAG Ring® Backshell/Lamp Thread Adapter with Shrink Boot Accomodation for Cannon DPX3 Series Connectors

547-002 B T
 Basic Part No. _____
 Finish (Table I), Omit for _____
 Electroless Nickel

T = Shrink Boots (Table II)
 Provided, Omit for None

TABLE II - SHRINK BOOTS	
Entry	Series 77 Shrink Boot Part No.
A	770-001S107
B	770-001S105
C	770-001SW3

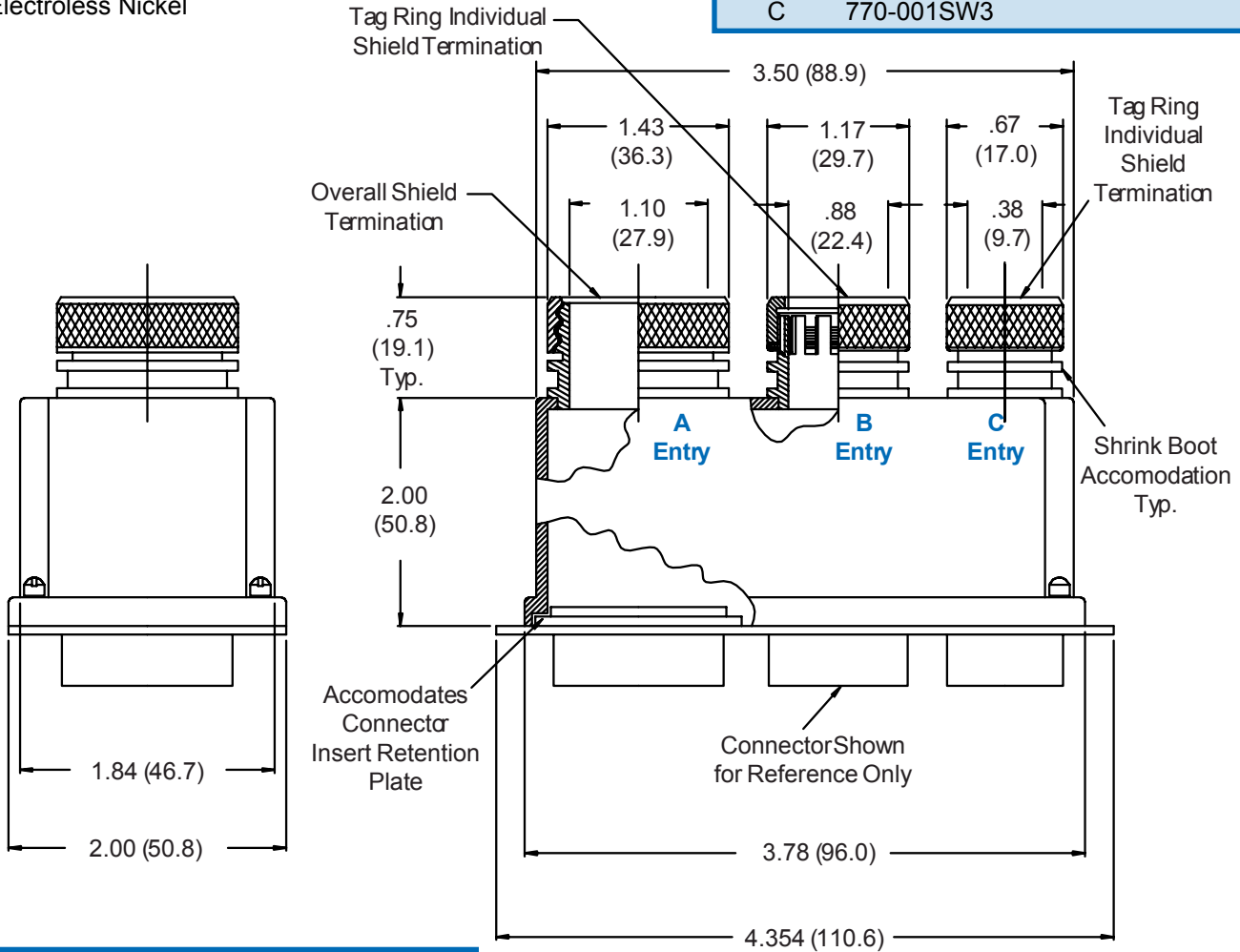


TABLE I - FINISH OPTIONS	
Symbol	Finish
B	Cadmium Plate, Olive Drab
J	Iridite, Gold Over Cadmium Plate over Nickel
N	Cadmium Plate, Olive Drab, Over Nickel
NF	Cadmium Plate, Olive Drab, Over Electroless Nickel (1000 Hour Salt Spray)
T	Cadmium Plate, Bright Dip Over Nickel (500 Hour Salt Spray)

CONSULT FACTORY FOR OTHER AVAILABLE FINISHES

- Metric dimensions (mm) are indicated in parentheses.
- Material/Finish:
 Backshell, Tag Ring Body and Clamp = Al Alloy/Finish Per Part No. Development
 TAG Ring® Nut = Al Alloy/Gold Iridite
 TAG Ring® Spring = Beryllium Copper/Gold Plate
 Hardware = SST/Passivate
 Friction Washer = Fluoropolymer/N.A.

547-005 Multi-Function TAG Ring® Lamp Thread Termination and Shrink Boot Backshell for Cannon DPX3 Series Connectors



ARINC
Series 400
(Cannon)

547-005 NF-T
 Basic Part No. _____
 Finish (Table I), Omit for _____
 1,000 Hr. Cadmium/O.D.
 over Electroless Nickel

T = Shrink Boots (Table II)
 Provided, Omit for None

TABLE II - SHRINK BOOTS	
Entry	Series 77 Shrink Boot Part No.
A	770-001S107
B	770-001S105
C	770-001SW3

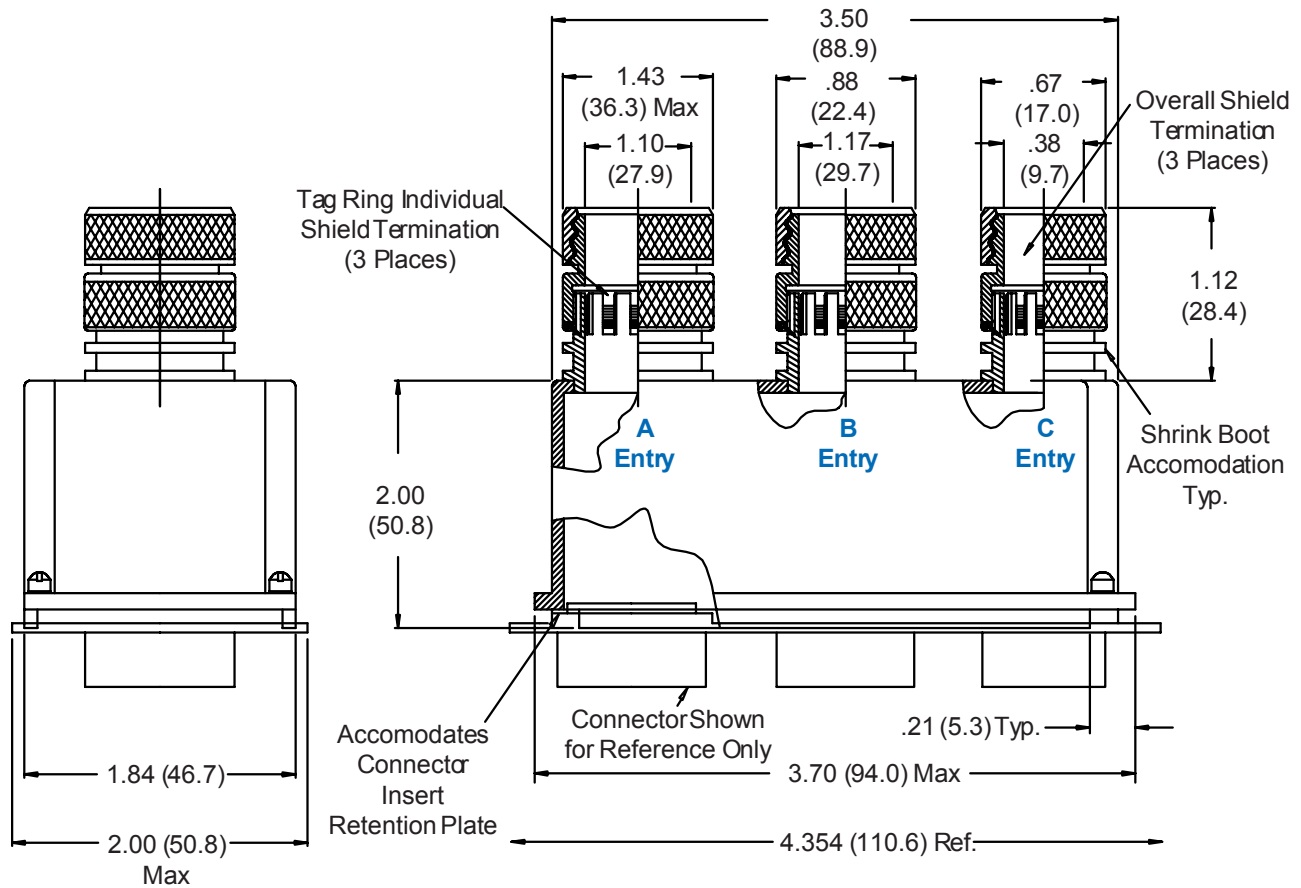


TABLE I: Finish Options	
Symbol	Description
J	Gold Iridite over Cadmium Plate over Nickel
M	Electroless Nickel
MT	1,000 Hour Grey Nickel PTFE
NF	Cadmium/Olive Drab over Electroless Nickel (1,000 Hr. Salt Spray)
T	Cadmium Plate/Bright Dip over Nickel
CONSULT FACTORY FOR OTHER AVAILABLE FINISHES	

- Metric dimensions (mm) are indicated in parentheses.
- Material/Finish:
 Backshell, Tag Ring Body and Clamp = Al Alloy/Cadmium, Olive Drab over Electroless Nickel (1,000 Hr. Salt Spray) or per Part Number Development
 TAG Ring® Nut = Al Alloy/Gold Iridite
 TAG Ring® Spring = Beryllium Copper/Gold Plate
 Hardware = SST/Passivate
 Friction Washer = Fluoropolymer/N.A.

527-016
 Split EMI/RFI Conical Ring Backshell
 for Cannon DPKA and DPKE Series Connectors

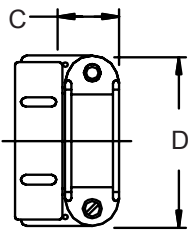
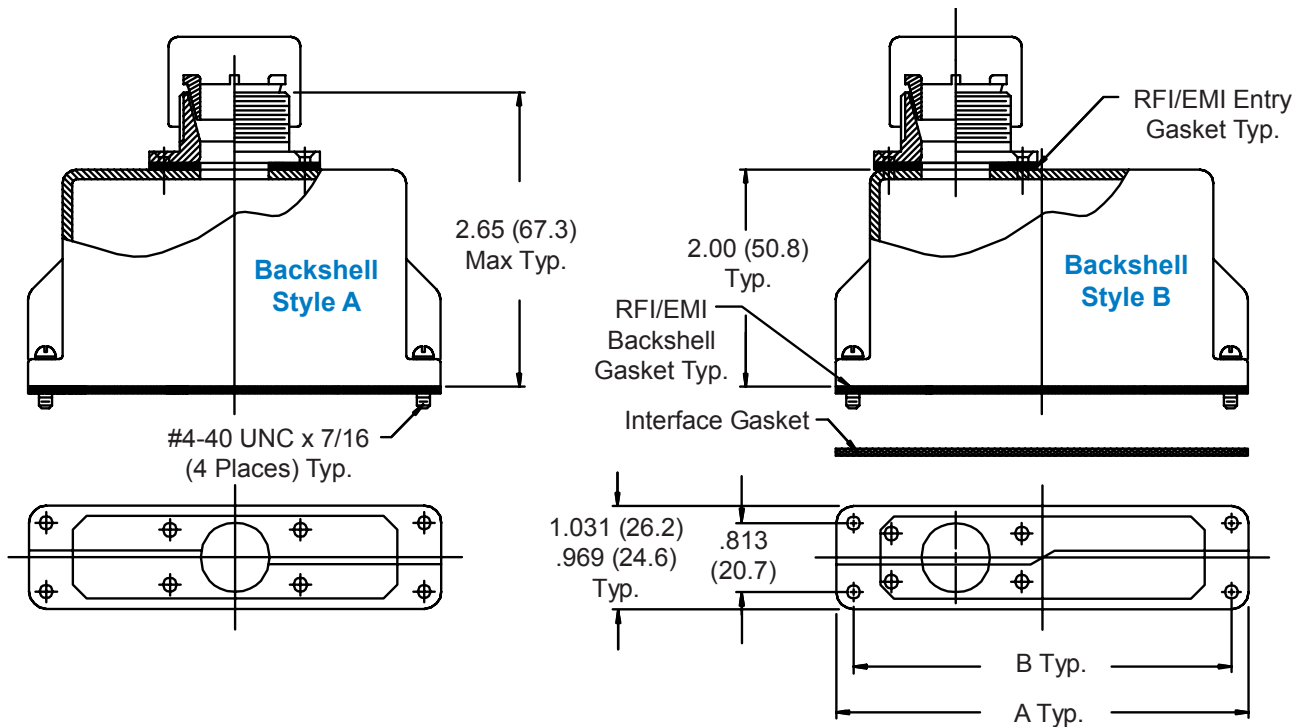


ARINC
 Series 400
 (Cannon)

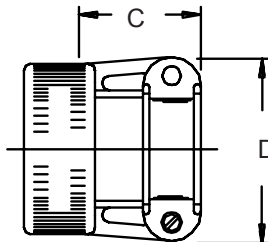
527-016 M 10 A 1 A M

Basic Part No. _____
 Finish Symbol (Table III) _____
 Dash No. (Table II) _____
 Connector Symbol (Table I) _____

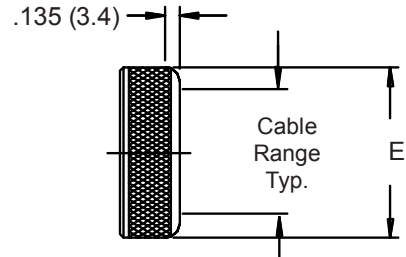
Strain Relief (Style A or D) or Gland Nut (Style M)
 Backshell Style: A or B (Style B Available on Connector Sym B Only)
 1 = With RFI/EMI Gaskets,
 2 = Without RFI/EMI Gaskets



Strain Relief
 Style A



Strain Relief
 Style M



Gland Nut
 Style D



TABLE I: CONNECTOR INTERFACE DIMS

Connector Symbol	Connector Series	A ±.062 (1.6)	B ±.005 (.1)
A	DPKA	2.095 (53.2)	1.895 (48.1)
B	DPKB/DPJM	3.395 (86.2)	3.195 (81.2)

TABLE II: CABLE ENTRY

Dash No.	C Max	D Max	E Max	Cable Range	
				Min	Max
03	.760 (19.3)	.843 (21.4)	.630 (16.0)	.156 (4.0)	.250 (6.4)
04	.760 (19.3)	.906 (23.0)	.755 (19.2)	.188 (4.8)	.312 (7.9)
06	.760 (19.3)	1.093 (27.8)	.942 (23.9)	.281 (7.1)	.438 (11.1)
08	.760 (19.3)	1.187 (30.1)	1.067 (27.1)	.344 (8.7)	.562 (14.3)
10	.760 (19.3)	1.281 (32.5)	1.192 (30.3)	.375 (9.5)	.625 (15.9)
12	.760 (19.3)	1.500 (38.1)	1.380 (35.1)	.438 (11.1)	.750 (19.1)

TABLE III - FINISH OPTIONS

Symbol	Finish
B	Cadmium Plate, Olive Drab
J	Iridite, Gold Over Cadmium Plate over Nickel
M	Electroless Nickel
N	Cadmium Plate, Olive Drab, Over Nickel
NF	Cadmium Plate, Olive Drab, Over Electroless Nickel (500 Hour Salt Spray)
T	Cadmium Plate, Bright Dip Over Nickel (500 Hour Salt Spray)

**CONSULT FACTORY FOR
OTHER AVAILABLE FINISHES**

1. Metric dimensions (mm) are indicated in parentheses.
2. Material/Finish:
 - Adapter, Backshell, Clamp Assemblies,
 - Gland Nut = Al Alloy/Table II
 - Hardware = SST/Passivate
 - Backshell and Entry Gaskets = Metalastic/N.A.
 - Interface Gasket = Monel Mesh/N.A.

527-186
 Split Backshell and Shorting Backshell
 Cannon DPKA and DPKB Series Connectors



ARINC
 Series 400
 (Cannon)

527-186 M 16 A 1 A

Basic Part No. _____
 Finish Symbol (Table III) _____
 Dash No. (Table II, Note 3) _____
 Connector Symbol (Table I) _____

Backshell Style: A or B (Style B Available on Connector Sym B Only), Omit for Shorting Backshell

1 = With RFI/EMI Gaskets,
 2 = Without RFI/EMI Gaskets

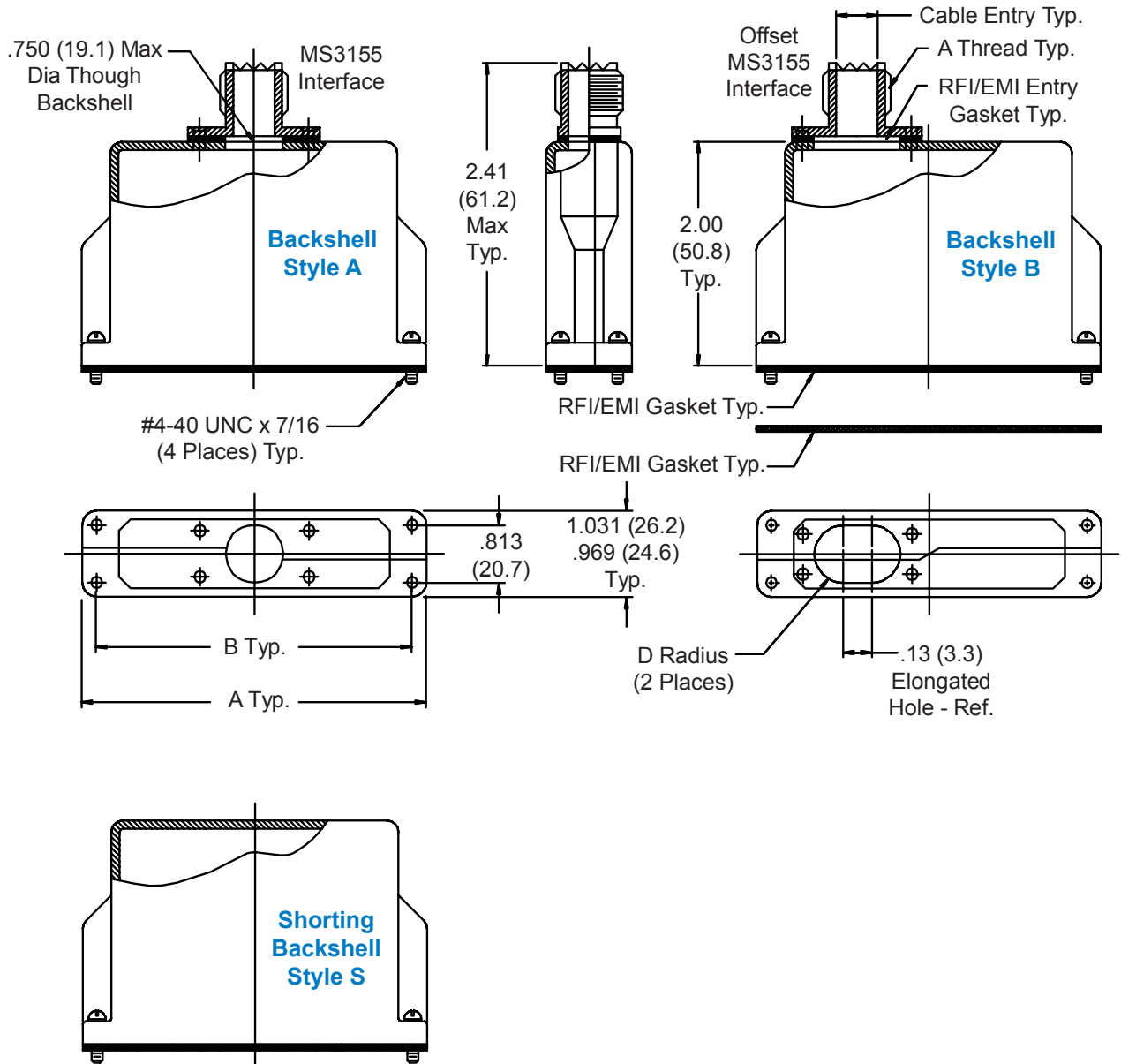




TABLE I: CONNECTOR INTERFACE DIMS

Connector Symbol	Connector Series	A ±.062 (1.6)	B ±.005 (.1)
A	DPKA	2.095 (53.2)	1.895 (48.1)
B	DPKB/DPJM	3.395 (86.2)	3.195 (81.2)

TABLE II: CABLE ENTRY

Dash No.	A Thread Class 2A	Cable Entry Max	D Radius
00 *	n/a	n/a	n/a
08	1/2 - 30 UNF	.250 (6.4)	.125 (3.2)
10	5/8 - 24 UNF	.375 (9.5)	.188 (4.8)
12	3/4 - 20 UNEF	.500 (12.7)	.250 (6.4)
14	7/8 - 20 UNEF	.625 (15.9)	.312 (7.9)
16	1 - 20 UNEF	.750 (19.1)	.375 (9.5)
18	1 1/16 - 18 UNEF	.750 (19.1)	.375 (9.5)
20	1 3/16 - 18 UNEF	.750 (19.1)	.375 (9.5)

* See Note 3

TABLE III - FINISH OPTIONS

Symbol	Finish
B	Cadmium Plate, Olive Drab
J	Iridite, Gold Over Cadmium Plate over Nickel
M	Electroless Nickel
N	Cadmium Plate, Olive Drab, Over Nickel
NF	Cadmium Plate, Olive Drab, Over Electroless Nickel (500 Hour Salt Spray)
T	Cadmium Plate, Bright Dip Over Nickel (500 Hour Salt Spray)

**CONSULT FACTORY FOR
OTHER AVAILABLE FINISHES**

1. Metric dimensions (mm) are indicated in parentheses.
2. Backshell replaces connector rear bracket.
3. When Backshell Style S is ordered, insert "00" in place of Dash No.
4. Material/Finish:
 - Adapter and Backshell = Al Alloy/Table III
 - Hardware = SST/Passivate
 - Backshell and Entry Gaskets = Metalastic/N.A.
 - Interface Gasket = Monel Mesh/N.A.

527-015
 Solid Strain-Relief Backshell
 Cannon DL2-96 Series Connector



ARINC
 Series 400
 (Cannon)

527-015 M 01

Basic Part No. _____
 Finish Symbol (Table II) _____
 Dash No. (Table I) _____

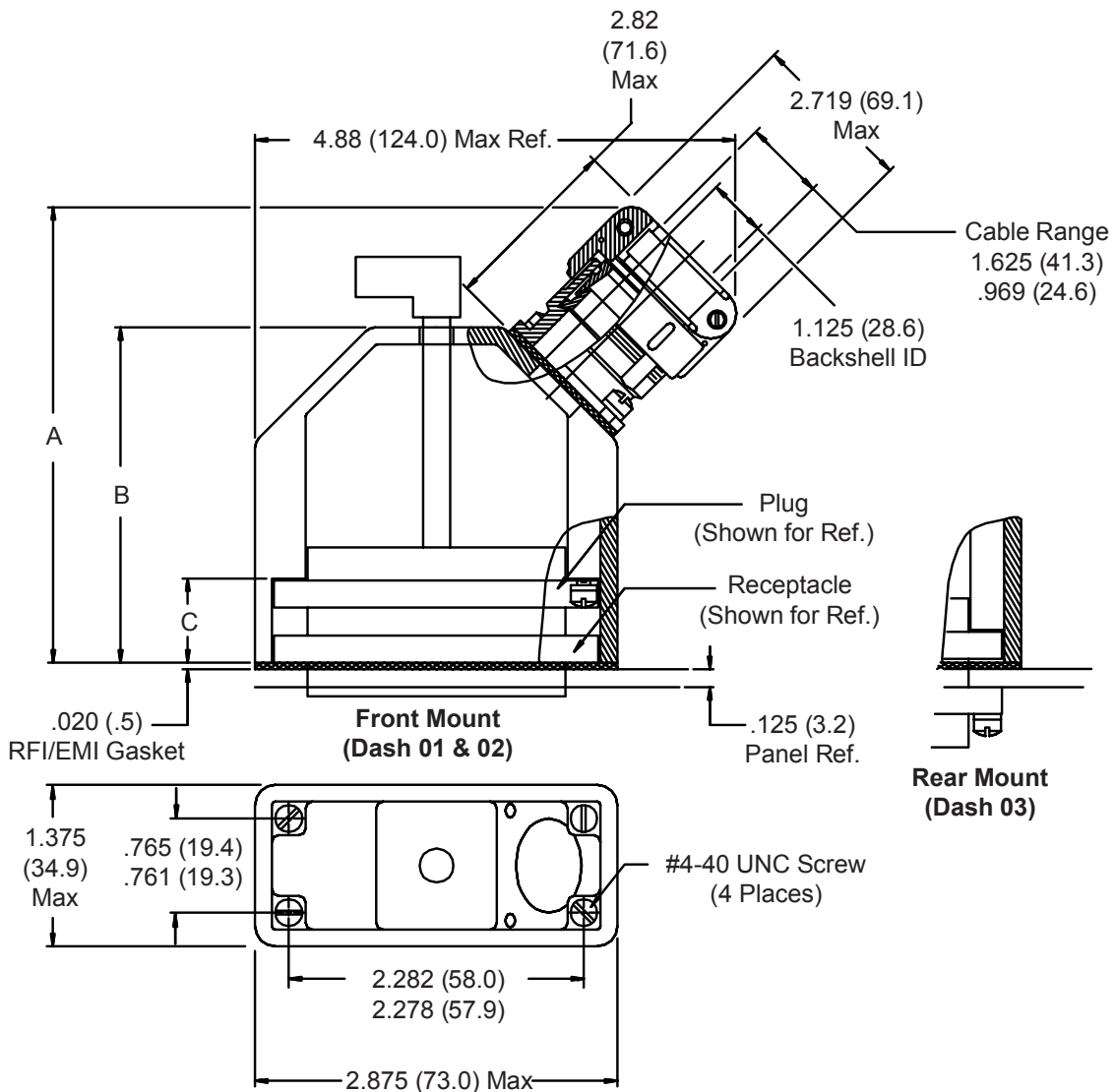




TABLE I: BACKSHELL DIMENSIONS & CONTACT STYLE

Dash No.	Connector/Contact Style	A Max Ref.	B Max	C Max
01	Front Mount/Crimp	4.72 (119.9)	2.72 (69.1)	.845 (21.5)
02	Front Mount/Wire Wrap	5.06 (128.5)	3.05 (77.5)	1.165 (29.6)
03	Rear Mount/Crimp	4.38 (111.3)	2.35 (59.7)	.470 (11.9)

TABLE II - FINISH OPTIONS

Symbol	Finish
B	Cadmium Plate, Olive Drab
J	Iridite, Gold Over Cadmium Plate over Nickel
M	Electroless Nickel
N	Cadmium Plate, Olive Drab, Over Nickel
NF	Cadmium Plate, Olive Drab, Over Electroless Nickel (500 Hour Salt Spray)
T	Cadmium Plate, Bright Dip Over Nickel (500 Hour Salt Spray)

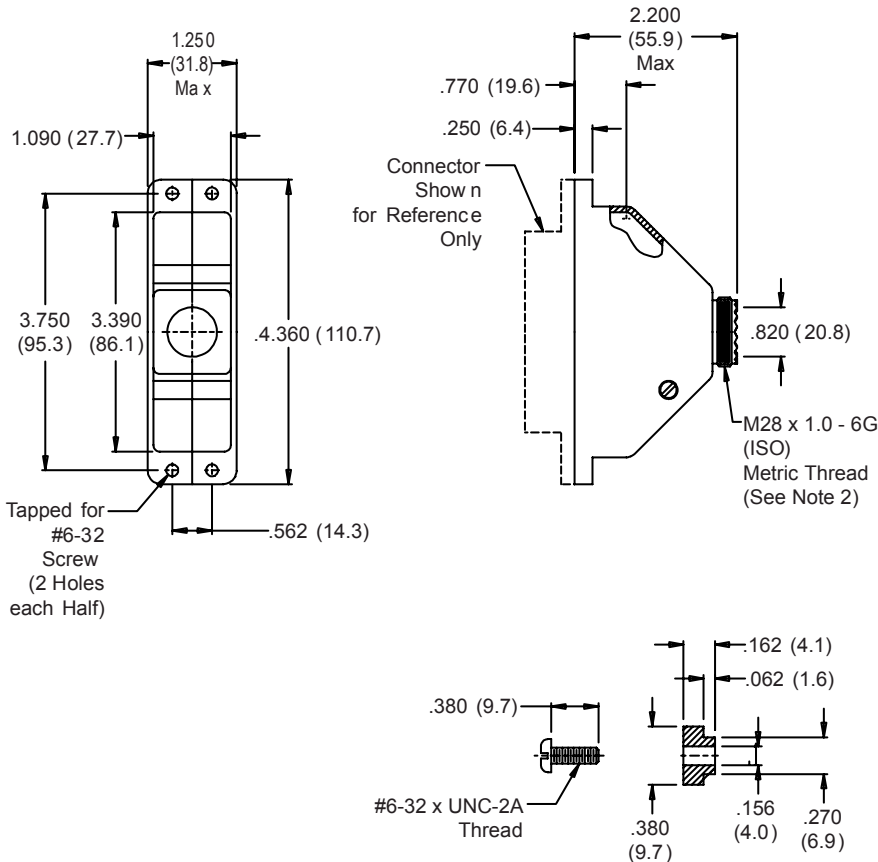
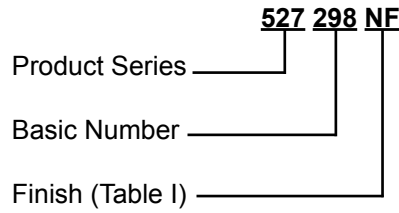
**CONSULT FACTORY FOR
OTHER AVAILABLE FINISHES**

1. Metric dimensions (mm) are indicated in parentheses.
2. Bond RFI/EMI gasket to panel with conductive adhesive (Installed thickness not to exceed .045 (1.1)).
3. Material/Finish:
 Backshell, Adapter, Ferrules, and Clamp = Al Alloy/Table II
 Hardware = SST/Passivate
 Gasket = Metex/N.A.

527-298
Split Backshell Assembly
for Amphenol 217-A Cannon



ARINC
 Series 400
 (Cannon)



**TABLE II:
 FINISH OPTIONS**

Symbol	Finish
B	Cadmium Plate/Olive Drab
C*	Black Anodize
G*	Anodic Hard Coat
J	Gold Iridite over Cadmium Plate over Electroless Nickel
LF	Cadmium Plate/Bright over Electroless Nickel
M	Electroless Nickel
N	Cadmium Plate/Olive Drab over Electroless Nickel
NC	Zinc Cobalt/Dark Olive Drab
NF	Cadmium Plate/Olive Drab over Electroless Nickel
T	Cadmium Plate/Bright over Electroless Nickel
U**	Cadmium Plate/Black
ZN	Zinc-Nickel Alloy/Olive Drab

*Anodize finish is not suitable for EMI shielding or grounding applications.
 **Applicable to corrosion resisting steel backshells and accessories. Consult factory for other available finishes.

NOTES:

1. Metric dimensions (mm) are indicated in parentheses.
2. Back end adapter interface conforms to MIL-C-38999 Series III & IV, Shell Size 19.
3. Also mates to MS2485 Connector.

527-070 B L S T

Basic Part No. _____

Finish (Table I), Omit for Electroless Nickel _____

L = Strain Relief, _____
Omit for Gland Nut

S = Side Entry _____
Omit for Top

T = Shrink Boot (Series 77 Part No. 770-001S108) Provided, Omit for None _____

1. Metric dimensions (mm) are indicated in parentheses.
2. Material/Finish:
Backshell, Tag Ring Body and Clamp = Al Alloy/Finish Per Part No. Development
Tag Ring Nut = Al Alloy/Gold Iridite
Tag Ring Spring = Beryllium Copper/Gold Plate
Hardware = SST/Passivate
RFI Gasket = Metalastic

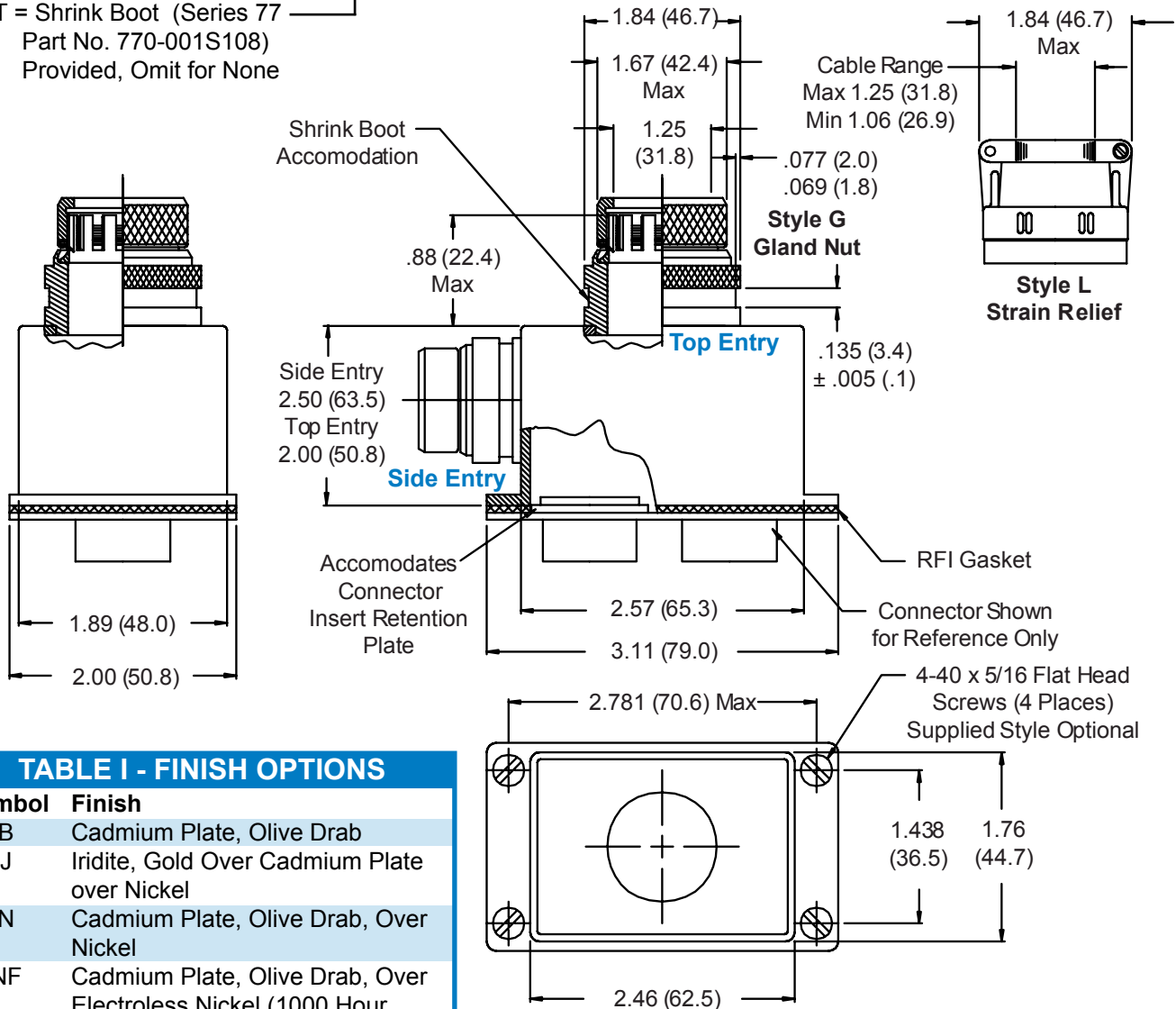


TABLE I - FINISH OPTIONS

Symbol	Finish
B	Cadmium Plate, Olive Drab
J	Iridite, Gold Over Cadmium Plate over Nickel
N	Cadmium Plate, Olive Drab, Over Nickel
NF	Cadmium Plate, Olive Drab, Over Electroless Nickel (1000 Hour Salt Spray)
T	Cadmium Plate, Bright Dip Over Nickel (500 Hour Salt Spray)

CONSULT FACTORY FOR OTHER AVAILABLE FINISHES

527-128 Solid G-Spring EMI/RFI Backshell for Cannon DPXA Series Connectors

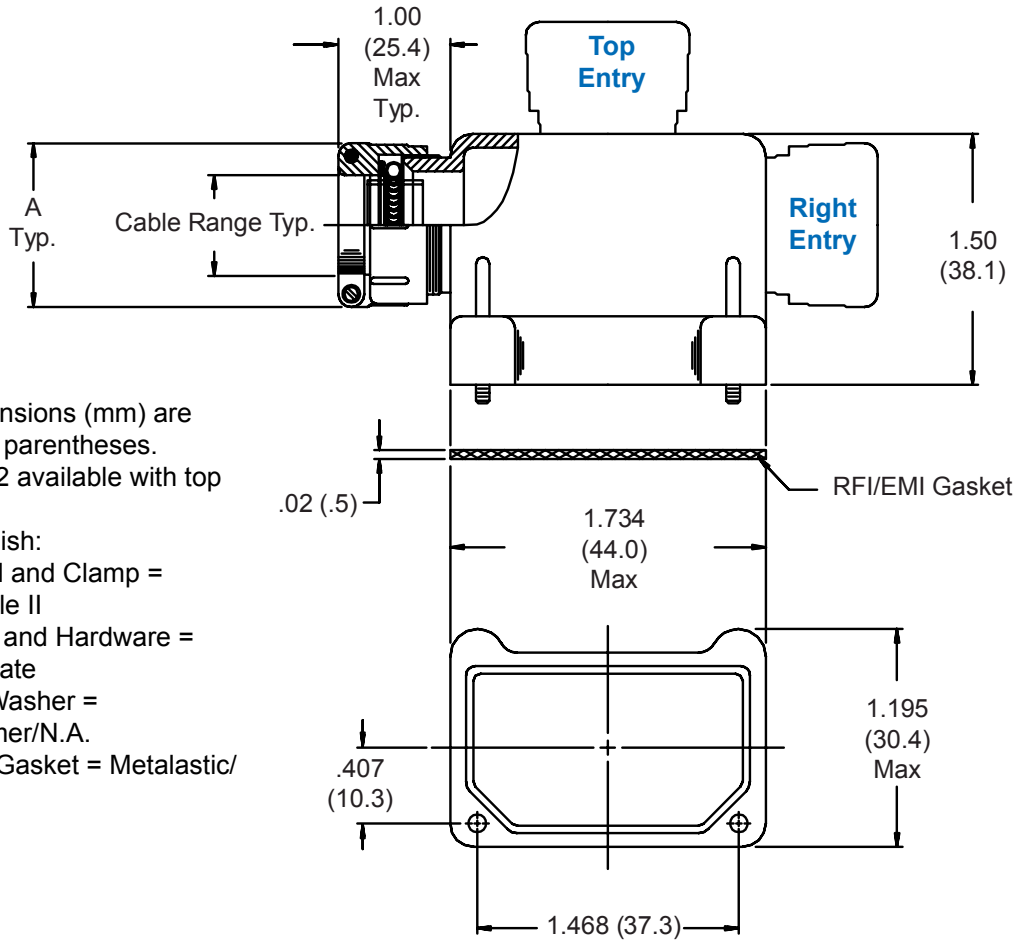
527-128 M 01 L

Basic Part No. _____
 Finish Symbol (Table II) _____
 Dash No. (Table I, Note 2) _____
 Entry Location: _____
 L = Left Entry
 R = Right Entry
 T = Top Entry

Symbol	Finish
B	Cadmium Plate, Olive Drab
J	Iridite, Gold Over Cadmium Plate over Nickel
M	Electroless Nickel
N	Cadmium Plate, Olive Drab, Over Nickel
NF	Cadmium Plate, Olive Drab, Over Electroless Nickel (500 Hour Salt Spray)
T	Cadmium Plate, Bright Dip Over Nickel (500 Hour Salt Spray)

Dash No.	A Max	Cable Range	
		Min	Max
01	.968 (24.6)	.156 (4.0)	.375 (9.5)
02 *	1.218 (30.9)	.375 (9.5)	.625 (15.9)

* See Note 2



- Metric dimensions (mm) are indicated in parentheses.
- Dash No. 02 available with top entry only.
- Material/Finish:
 Backshell and Clamp = Al Alloy/Table II
 G-Spring and Hardware = SST/Passivate
 Friction Washer = Fluoropolymer/N.A.
 EMI/RFI Gasket = Metalastic/N.A.

507-013 A M

Basic Part No. _____
Connector Symbol (Table I) _____
Finish: _____

- B = Cadmium Plate/Olive Drab
- J = Iridite, Gold Over Cadmium Plate Over Nickel
- M = Electroless Nickel
- N = Cadmium Plate/Olive Drab over Nickel Plate
- T = Cadmium Plate, Bright Dip, Over Nickel (500 Hour Salt Spray)
- Omit for Cadmium Olive Drab Over Electroless Nickel (1000 Hour Salt Spray)

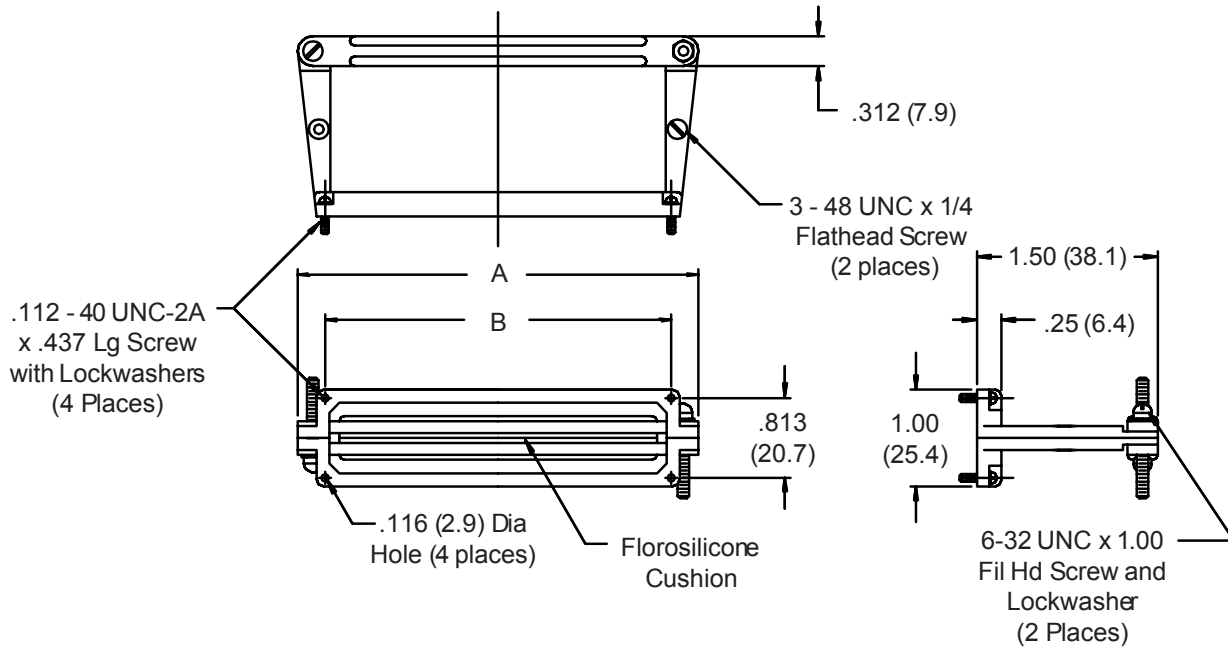


TABLE I: CONNECTOR INTERFACE DIMS

Connector Symbol	Connector Series	A		B	
		±.062	(1.6)	±.005	(.1)
A	DPKA	2.437	(61.9)	1.895	(48.1)
B	DPKB/DPJM	3.750	(95.3)	3.195	(81.2)

1. Metric dimensions (mm) are indicated in parentheses.
2. Material/Finish:
 - Frame and Saddles = Al Alloy/Finish Per Part Number Development.
 - Hardware = SST/Passivate
 - Saddle Cushion = Fluorosilicone/N.A.

527-142
Solid TAG Ring® EMI/RFI Backshell
Cannon DPX4 Series Connector



ARINC
 Series 400
 (Cannon)

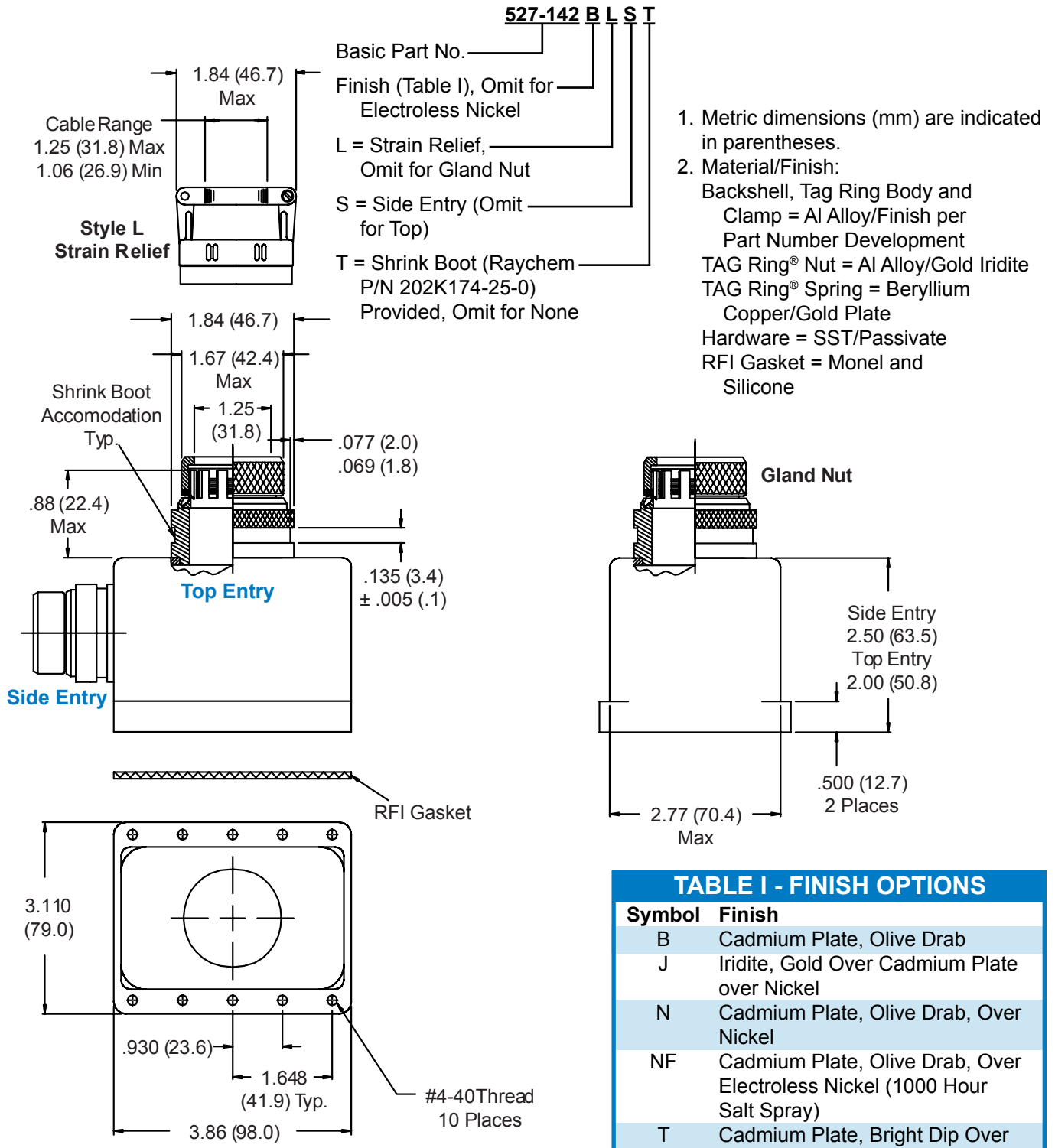
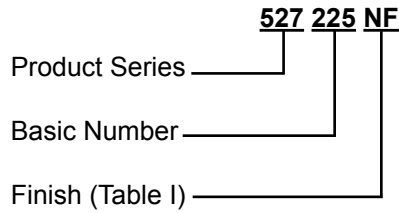


TABLE I - FINISH OPTIONS	
Symbol	Finish
B	Cadmium Plate, Olive Drab
J	Iridite, Gold Over Cadmium Plate over Nickel
N	Cadmium Plate, Olive Drab, Over Nickel
NF	Cadmium Plate, Olive Drab, Over Electroless Nickel (1000 Hour Salt Spray)
T	Cadmium Plate, Bright Dip Over Nickel (500 Hour Salt Spray)

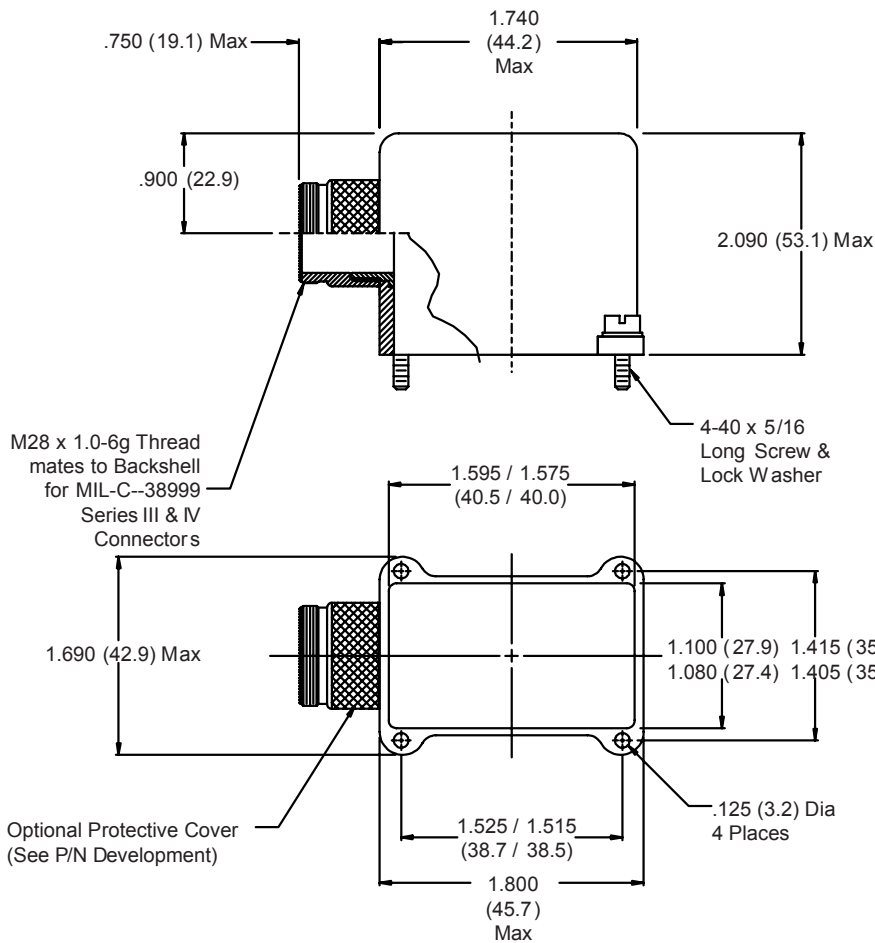
CONSULT FACTORY FOR OTHER AVAILABLE FINISHES



**TABLE II:
FINISH OPTIONS**

Symbol	Finish
B	Cadmium Plate/Olive Drab
C*	Black Anodize
G*	Anodic Hard Coat
J	Gold Iridite over Cadmium Plate over Electroless Nickel
LF	Cadmium Plate/Bright over Electroless Nickel
M	Electroless Nickel
N	Cadmium Plate/Olive Drab over Electroless Nickel
NC	Zinc Cobalt/Dark Olive Drab
NF	Cadmium Plate/Olive Drab over Electroless Nickel
T	Cadmium Plate/Bright over Electroless Nickel
U**	Cadmium Plate/Black
ZN	Zinc-Nickel Alloy/Olive Drab

*Anodize finish is not suitable for EMI shielding or grounding applications.
**Applicable to corrosion resisting steel backshells and accessories. Consult factory for other available finishes.

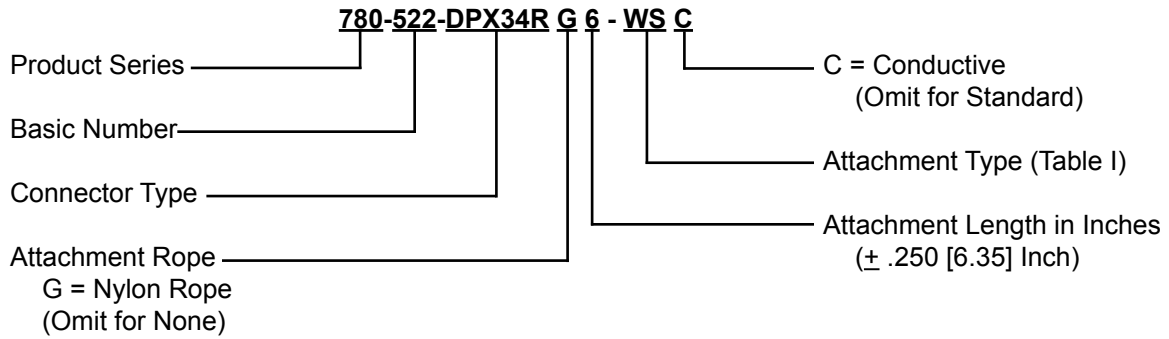


Metric dimensions (mm) are indicated in parentheses.

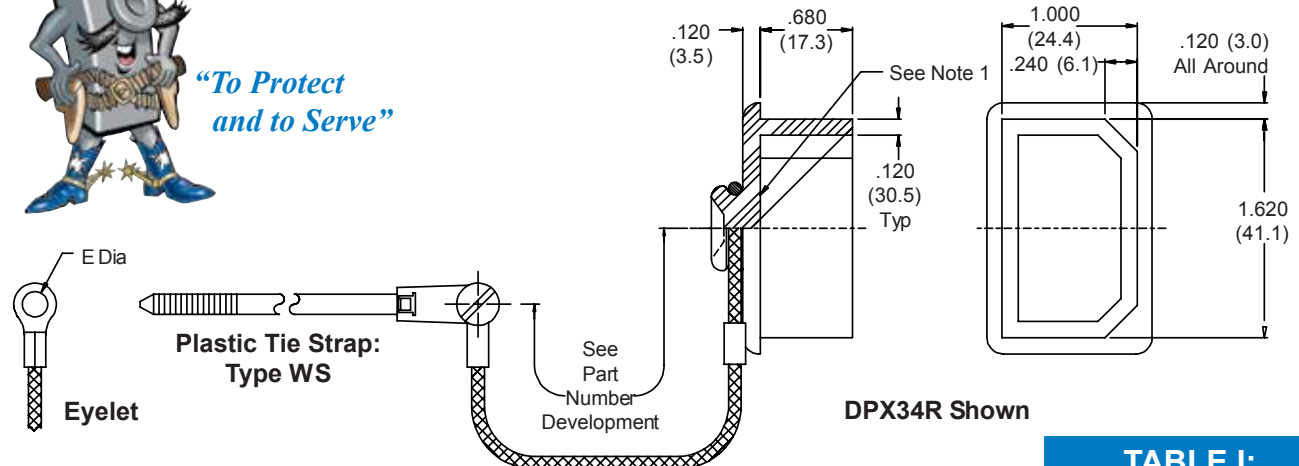
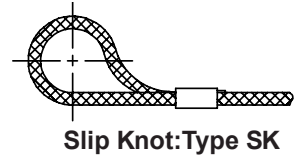
780-522
 "Marshal Bean" Protective
 Universal PLUG Cover for



ARINC
 Series 400
 (Cannon)



*"To Protect
 and to Serve"*



**TABLE I:
 ATTACHMENT
 TYPE**

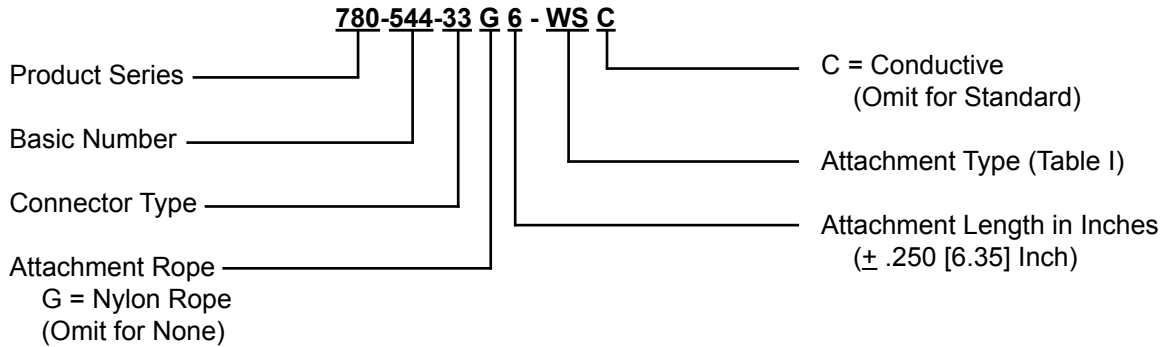
Dash No.	E Dia ±.010 (0.3)
00	No Terminal
01	.140 (3.6)
02	.182 (4.6)
03	.191 (4.9)
04	.197 (5.0)
05	.167 (4.2)
06	.125 (3.2)
07	.218 (5.5)
09	.156 (4.0)
WS	With Strap
SK	Slip Knot

NOTES:

1. Cover identified in area shown.
2. Metric dimensions (mm) are indicated in parentheses.
3. This series of covers is similar to Bean Rubber Mfg. Co. BP-DPX34R-WC equivalent to 780-522-DPX34RG12-09.
4. Standard material contains trace amounts of sulfur (a vulcanizing agent) which is known to contribute to degradation/corrosion of silver plated components such as braid, etc. Specify MOD Code suffix -675 for sulfur-free material.
5. Standard material contains trace amounts of sulfur (a vulcanizing agent) which is known to contribute to degradation/corrosion of silver plated components such as braid, etc. Specify MOD Code suffix -678 for sulfur-free material.



780-544
Protective Rubber Cover
E Cover for ARINC Series 400



*“To Protect
and to Serve”*

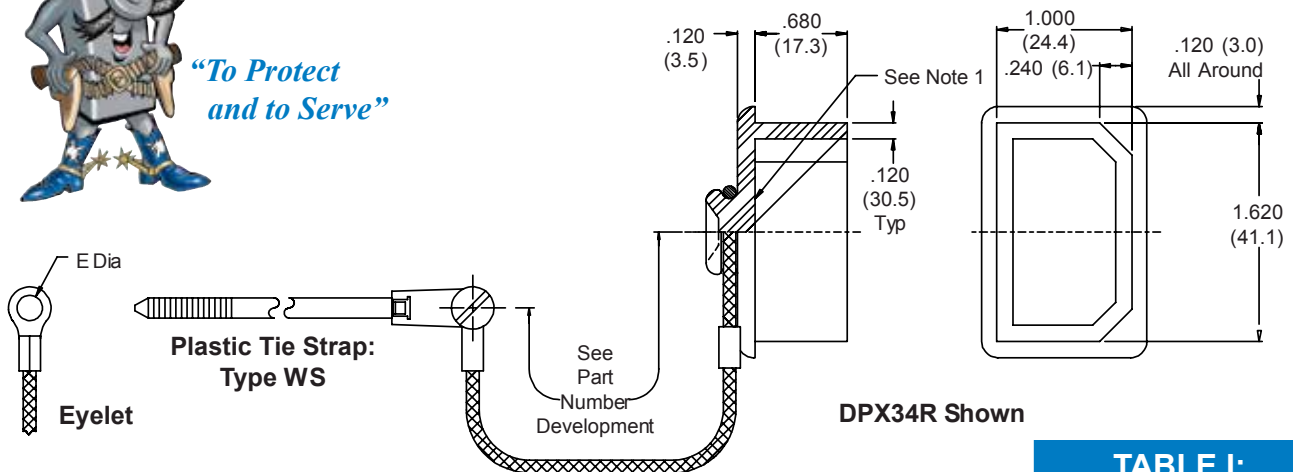
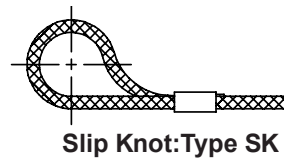
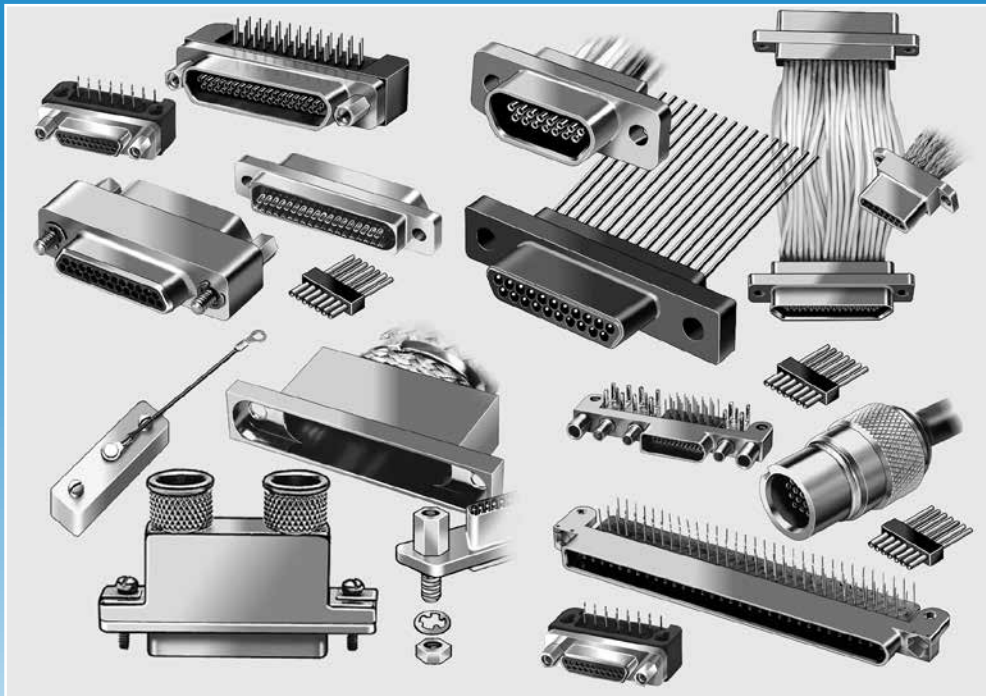


TABLE I: ATTACHMENT TYPE	
Dash No.	E Dia ±.010 (0.3)
00	No Terminal
01	.140 (3.6)
02	.182 (4.6)
03	.191 (4.9)
04	.197 (5.0)
05	.167 (4.2)
06	.125 (3.2)
07	.218 (5.5)
09	.156 (4.0)
WS	With Strap
SK	Slip Knot

NOTES:

1. Cover identified in area shown.
2. Metric dimensions (mm) are indicated in parentheses.
3. This series of covers is similar to Bean Rubber Mfg. Co. DPX33 series, same dash Number, i.e.: DPX-33-WC equivalent to 780-544-33G12-09.
4. Standard material contains trace amounts of sulfur (a vulcanizing agent) which is known to contribute to degradation/corrosion of silver plated components such as braid, etc. Specify MOD Code suffix -675 for sulfur-free material.
5. Standard material contains trace amounts of sulfur (a vulcanizing agent) which is known to contribute to degradation/corrosion of silver plated components such as braid, etc. Specify MOD Code suffix -678 for sulfur-free material.

When you think Micro-D, do you think Glenair?



Our Same-Day Shipment inventory is bound to change your answer

Glenair is committed to building full-spectrum product lines which truly meet your every requirement. That's why we expanded our family of Micro-D Sav-Cons® and backshells to include a complete range of MIL-DTL-83513 qualified Micro-d connectors.

And the best part of all, we've put the entire product line in stock for immediate delivery.

So, from backshells and mounting hardware to pre-wired connectors and custom cable assemblies, when you think Micro-D, think Glenair.



MIL-DTL-83513 & BS9523F002 Micro-D



Metal or composite thermo-plastic construction



Complete selection of top, 90° & 45° cable entries



Optional shield banding termination systems



Spring retaining clips captivate the connector



Micro-D connectors and accessories in Stock



1211 Air Way
Glendale, California 91201-2497
Telephone: 818-247-6000 · Facsimilie: 818-500-9912 · EMail: sales@glenair.com

United States · United Kingdom · Germany · Nordic · France · Italy · Spain
www.glenair.com


PRODUCT FEATURES

- **Top, Side and 45° Cable Entries**
- **Mechanical and Electrical Integrity Maintained by Backshell Entrapment of Connectors**
- **Split Backshell Designs Provide Easy Assembly and Convenient Service and Maintenance Access**
- **New Composite Design Available for LPMY22**
- **Strain Relief and Shorting Cap Backshells Available**
- **Conical-Ring Style EMI/RFI Shielded Terminations**

The Right Accessory for Every Hypertronics NEBY, NPBY, LPMY and NPJY Connector

New LPMY22 composite backshell now available!

Glenair backshells and protective covers for Hypertronics connectors are built from either rugged aluminum alloy or composite thermoplastic. The full range of plating options are available as are custom finishes. Strain-relief backshells feature potting holes and top and 45° cable entry styles.

QUICK REFERENCE

Backshells for:	Part No.	Page
NEBY Connectors	527-123	H-2
NPBY Connectors	527-109	H-3
LPMY Connectors	527-118	H-4
Protective Covers for:		
NEBY Connectors	667-085	H-5
	667-091	H-6
NPBY Connectors	667-083	H-8
NPJY Connectors	667-084	H-9
LPMY Connectors	667-109	H-10
LPMY22 Connectors	527-184	H-11

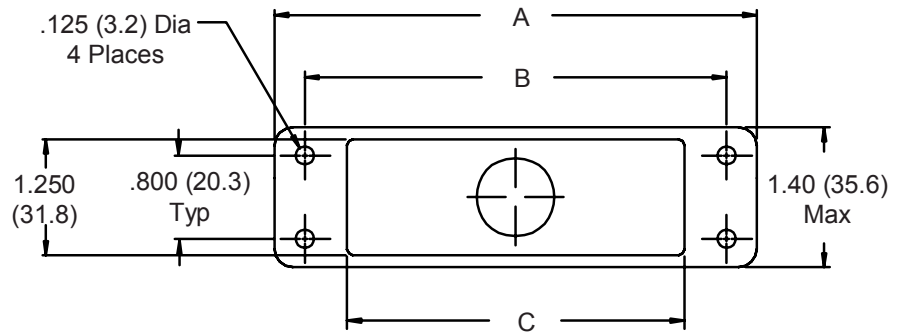
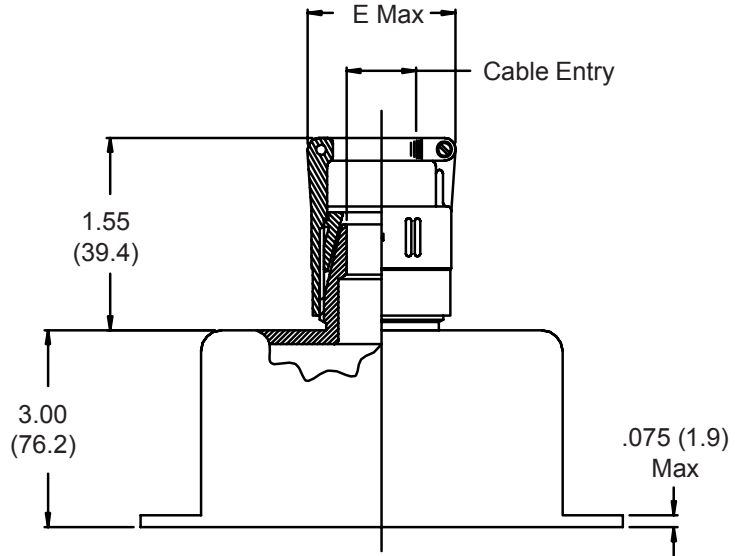
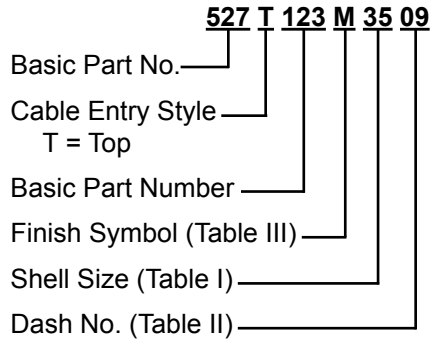


TABLE I: SHLL SIZE & CONNECTOR INTERFACE

Shell Size	A Dim	B Dim	C Dim
35	4.170 (105.9)	3.800 (96.5)	3.520 (89.4)
45	5.170 (131.3)	4.800 (121.9)	4.520 (114.8)

TABLE II: CABLE ENTRY

Dash No.	E Max	Cable Range		
		Min	Max	
01	.781 (19.8)	.062 (1.6)	.125 (3.2)	
02	.968 (24.6)	.125 (3.2)	.250 (6.4)	
03	1.406 (35.7)	.250 (6.4)	.375 (9.5)	
04	1.156 (29.4)	.375 (9.5)	.500 (12.7)	
05	1.218 (30.9)	.500 (12.7)	.625 (15.9)	
06	1.343 (34.1)	.625 (15.9)	.750 (19.1)	
07	1.468 (37.3)	.750 (19.1)	.875 (22.2)	
08	1.593 (40.5)	.875 (22.2)	1.000 (25.4)	
09	1.718 (43.6)	1.000 (25.4)	1.125 (28.6)	
10	1.843 (46.8)	1.125 (28.6)	1.250 (31.8)	

TABLE III - FINISH OPTIONS

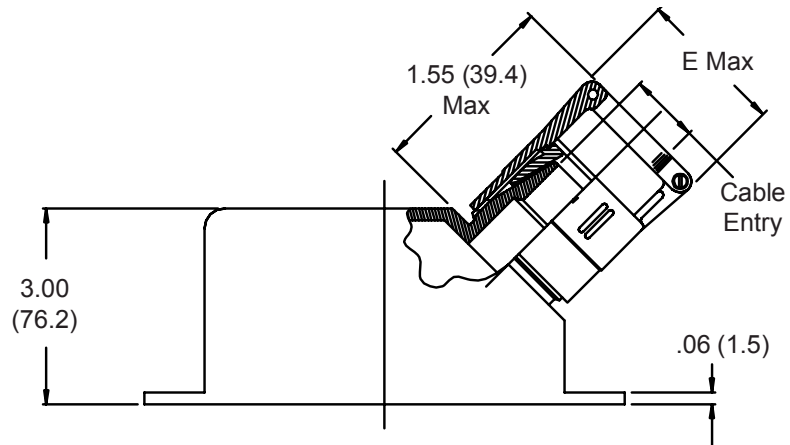
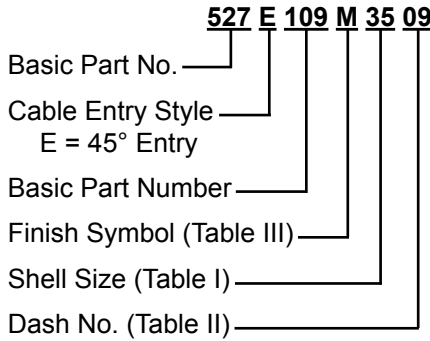
Symbol	Finish
B	Cadmium Plate, Olive Drab
J	Iridite, Gold Over Cadmium Plate over Nickel
M	Electroless Nickel
N	Cadmium Plate, Olive Drab, Over Nickel
NF	Cadmium Plate, Olive Drab, Over Electroless Nickel (1000 Hour Salt Spray)
T	Cadmium Plate, Bright Dip Over Nickel (500 Hour Salt Spray)

CONSULT FACTORY FOR OTHER AVAILABLE FINISHES

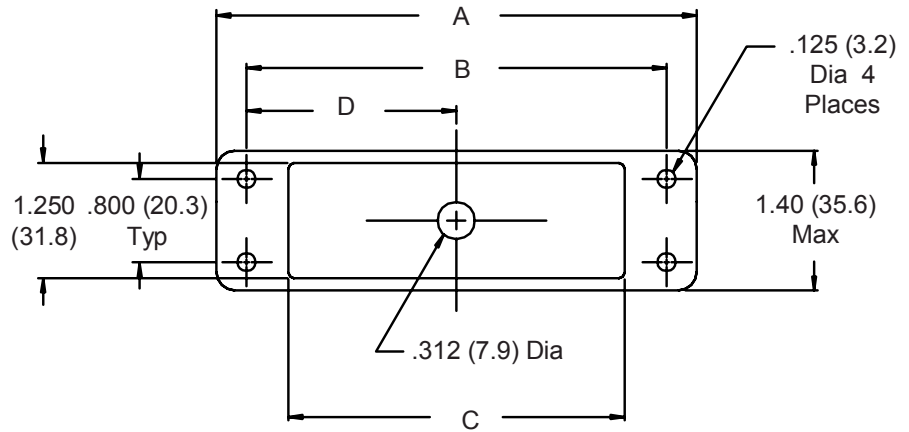
1. Metric dimensions (mm) are indicated in parentheses.
2. Material/Finish:
Backshell = Al Alloy/See Table III
Hardware = SST/Passivate



527-109 Strain-Relief Backshell for NPB-Y Connectors



1. Metric dimensions (mm) are indicated in parentheses.
2. Material/Finish:
 Backshell = Al Alloy/See Table III
 Hardware = SST/Passivate

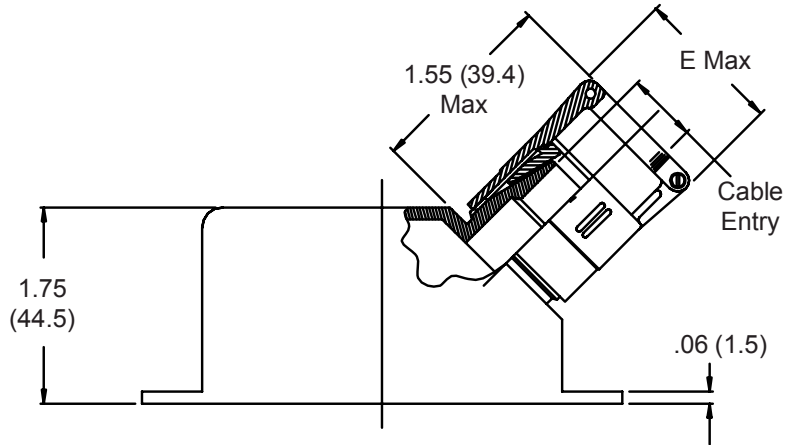
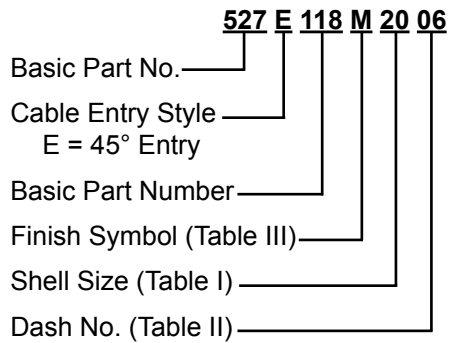


Shell Size	A Dim	B Dim	C Dim	D Dim
31	3.77 (95.8)	3.400 (86.4)	3.120 (79.2)	1.700 (43.2)
35	4.17 (105.9)	3.800 (96.5)	3.520 (89.4)	1.900 (48.3)
45	5.17 (131.3)	4.800 (121.9)	4.520 (114.8)	2.400 (61.0)

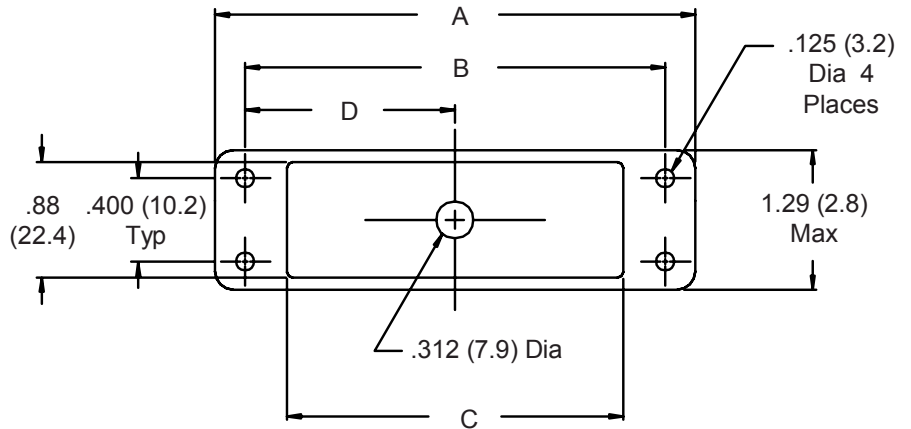
Dash No.	E Max	Cable Range	
		Min	Max
01	.781 (19.8)	.062 (1.6)	.125 (3.2)
02	.968 (24.6)	.125 (3.2)	.250 (6.4)
03	1.406 (35.7)	.250 (6.4)	.375 (9.5)
04	1.156 (29.4)	.375 (9.5)	.500 (12.7)
05	1.218 (30.9)	.500 (12.7)	.625 (15.9)
06	1.343 (34.1)	.625 (15.9)	.750 (19.1)
07	1.468 (37.3)	.750 (19.1)	.875 (22.2)
08	1.593 (40.5)	.875 (22.2)	1.000 (25.4)
09	1.718 (43.6)	1.000 (25.4)	1.125 (28.6)
10	1.843 (46.8)	1.125 (28.6)	1.250 (31.8)

Symbol	Finish
B	Cadmium Plate, Olive Drab
J	Iridite, Gold Over Cadmium Plate over Nickel
M	Electroless Nickel
N	Cadmium Plate, Olive Drab, Over Nickel
NF	Cadmium Plate, Olive Drab, Over Electroless Nickel (1000 Hour Salt Spray)
T	Cadmium Plate, Bright Dip Over Nickel (500 Hour Salt Spray)

CONSULT FACTORY FOR OTHER AVAILABLE FINISHES



1. Metric dimensions (mm) are indicated in parentheses.
2. Material/Finish:
 Backshell = Al Alloy/See Table III
 Hardware = SST/Passivate



Shell Size	A Dim	B Dim	C Dim	D Dim
20	4.84 (122.9)	4.626 (117.5)	4.36 (110.7)	2.31 (58.7)

Dash No.	E Max	Cable Range		
		Min	Max	Max
01	.781 (19.8)	.062 (1.6)	.125 (3.2)	
02	.968 (24.6)	.125 (3.2)	.250 (6.4)	
03	1.406 (35.7)	.250 (6.4)	.375 (9.5)	
04	1.156 (29.4)	.375 (9.5)	.500 (12.7)	
05	1.218 (30.9)	.500 (12.7)	.625 (15.9)	
06	1.343 (34.1)	.625 (15.9)	.750 (19.1)	
07	1.468 (37.3)	.750 (19.1)	.875 (22.2)	

Symbol	Finish
B	Cadmium Plate, Olive Drab
J	Iridite, Gold Over Cadmium Plate over Nickel
M	Electroless Nickel
N	Cadmium Plate, Olive Drab, Over Nickel
NF	Cadmium Plate, Olive Drab, Over Electroless Nickel (1000 Hour Salt Spray)
T	Cadmium Plate, Bright Dip Over Nickel (500 Hour Salt Spray)

CONSULT FACTORY FOR OTHER AVAILABLE FINISHES

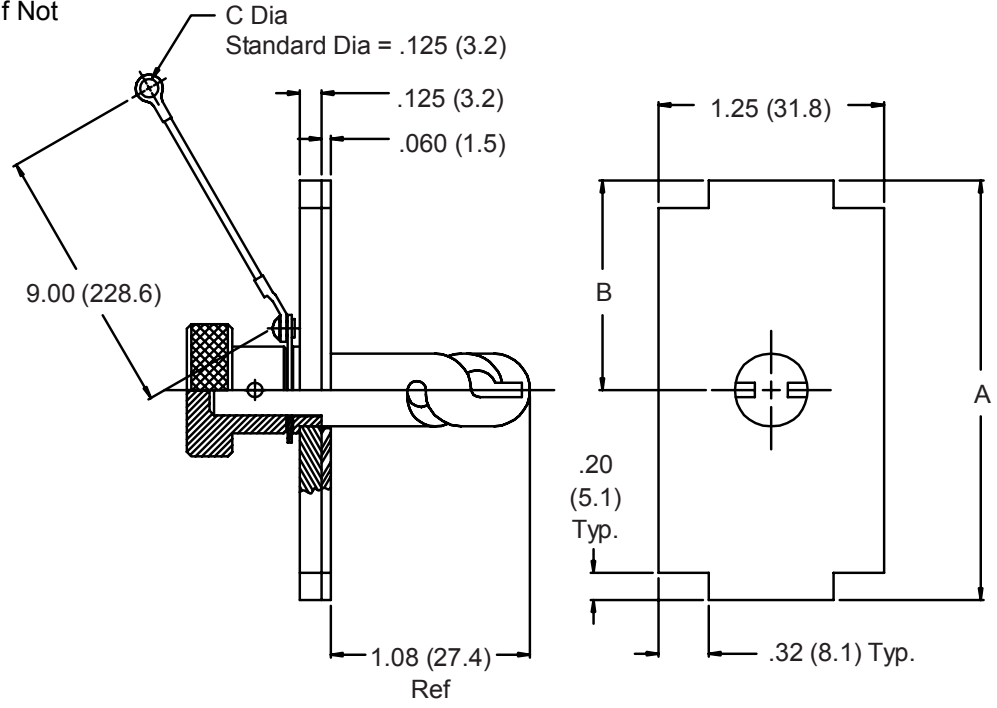
667-085 Protective Cover for Hypertronics NEBY Connectors



667-085-19 C-09 -186

Basic Part No. ————
 Shell Size (Table I) ————
 Finish (Table III) ————
 Ring Dash No. (Table II),
 Omit for Standard
 Post Bake Gasket For Space
 Application, Omit if Not
 Required

1. Metric dimensions (mm) are indicated in parentheses.
2. Material/Finish:
 Cover and Knob = Al Alloy/Table III
 Hardware = SST/Passivate
 Rope Covering = Fluoropolymer/N.A.
 Gasket = Silicone/N.A.



Dash No.	C Dia
01	.140 (3.6)
02	.182 (4.6)
03	.191 (4.9)
04	.197 (5.0)
05	.167 (4.2)
07	.218 (5.5)
09	.156 (4.0)

Shell Size	Mating Connector	A	B
11	NEBY11/	1.60 (40.6)	.80 (20.3)
15	NEBY15/	2.00 (50.8)	1.00 (25.4)
19	NEBY19/	2.40 (61.0)	2.00 (50.8)
23	NEBY23/	2.80 (71.1)	1.40 (35.6)
27	NEBY27/	3.20 (81.3)	1.60 (40.6)
31	NEBY31/	3.60 (91.4)	1.80 (45.7)
35	NEBY35/	4.00 (101.6)	2.00 (50.8)
45	NEBY45/	5.00 (127.0)	2.50 (63.5)

Symbol	Finish
B	Cadmium Plate, Olive Drab
C	Black Anodize
J	Iridite, Gold Over Cadmium Plate over Nickel
M	Electroless Nickel
N	Cadmium Plate, Olive Drab, Over Nickel
NF	Cadmium Plate, Olive Drab, Over Electroless Nickel (1000 Hour Salt Spray)
T	Cadmium Plate, Bright Dip Over Nickel (500 Hour Salt Spray)

**CONSULT FACTORY FOR
OTHER AVAILABLE FINISHES**

667-091

Protective Cover for Hypertronics NEBY Connectors

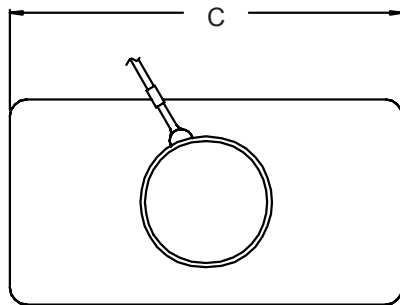
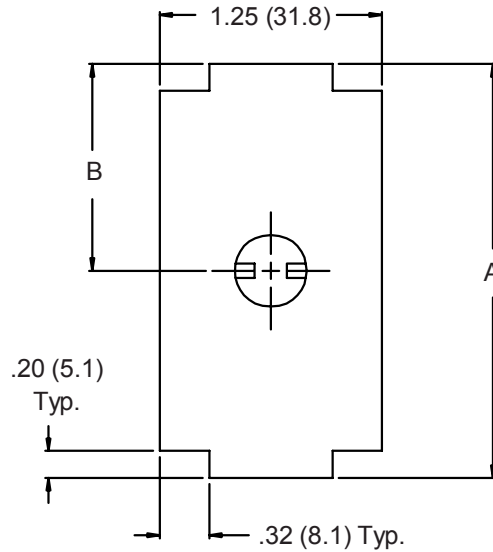
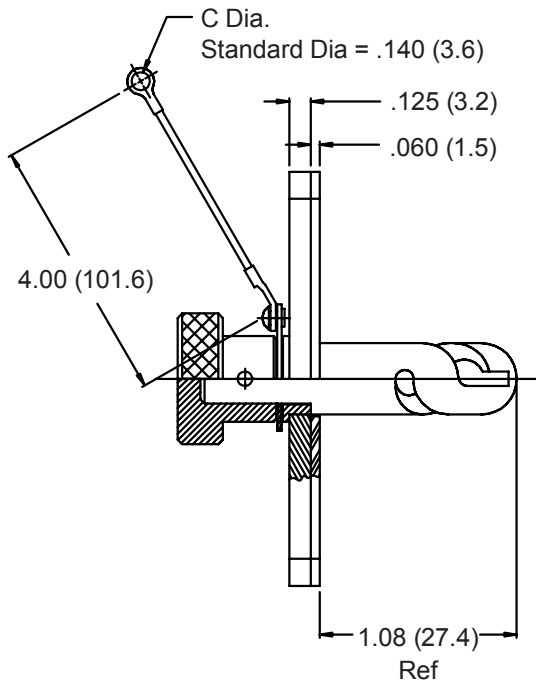
Universal for Pin and Socket Contacts

667-091-19 C 08 -186 P

Basic Part No. _____
 Shell Size (Table I) _____
 Finish (Table III) _____
 Ring Dash No. (Table II),
 Omit for Standard _____

P = Connector with Pin Contact, Omit for
 Standard Socket Contacts (See Note 2)

Post Bake Gasket For Space Application,
 Omit if Not Required



"P" Pin Contact Option (See Part Number Development and Note 2)

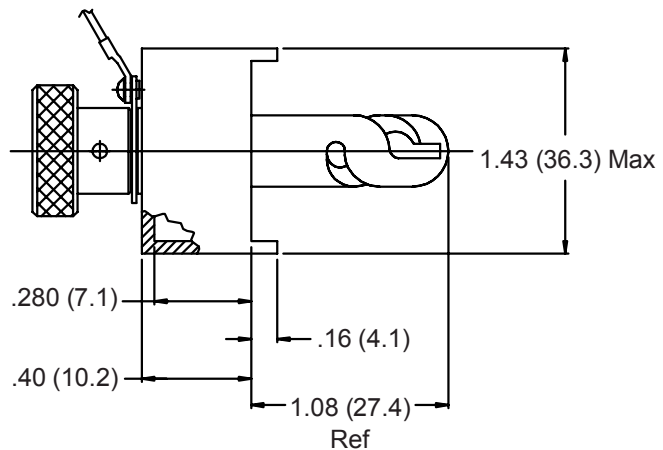


TABLE I: SHELL SIZE & CONECTOR INTERFACE DIMENSIONS

Shell Size	Mating Connector	A		B		C	
11	NEBY11/	1.60	(40.6)	.80	(20.3)	1.18	(30.0)
15	NEBY15/	2.00	(50.8)	1.00	(25.4)	1.58	(40.1)
19	NEBY19/	2.40	(61.0)	2.00	(50.8)	1.98	(50.3)
23	NEBY23/	2.80	(71.1)	1.40	(35.6)	2.38	(60.5)
27	NEBY27/	3.20	(81.3)	1.60	(40.6)	2.78	(70.6)
31	NEBY31/	3.60	(91.4)	1.80	(45.7)	3.18	(80.8)
35	NEBY35/	4.00	(101.6)	2.00	(50.8)	3.58	(90.9)
45	NEBY45/	5.00	(127.0)	2.50	(63.5)	4.58	(116.3)

TABLE II: RING

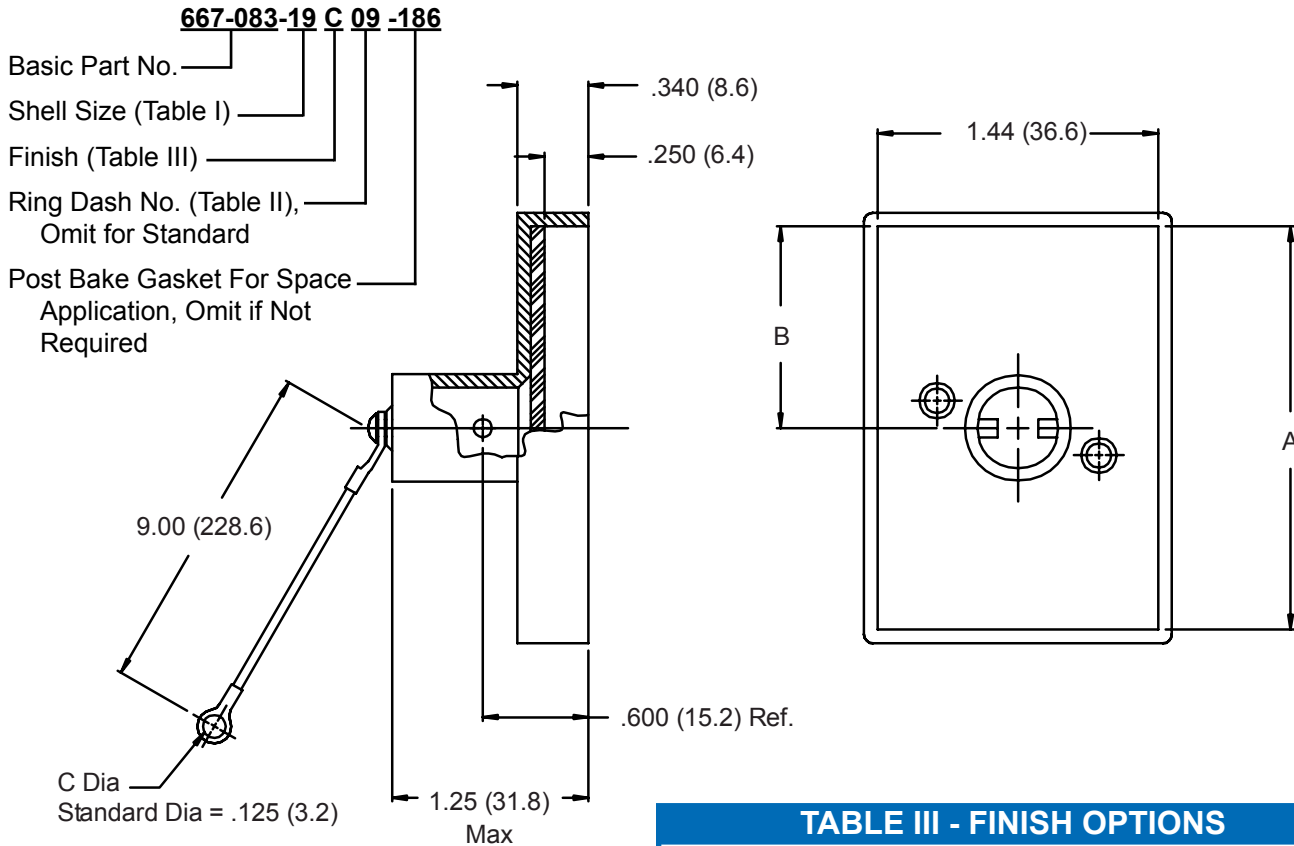
Dash No.	C Dia	
02	.182	(4.6)
03	.191	(4.9)
04	.197	(5.0)
05	.167	(4.2)
06	.125	(3.2)
07	.218	(5.5)
09	.156	(4.0)

TABLE III - FINISH OPTIONS

Symbol	Finish
B	Cadmium Plate, Olive Drab
C	Black Anodize
J	Iridite, Gold Over Cadmium Plate over Nickel
M	Electroless Nickel
N	Cadmium Plate, Olive Drab, Over Nickel
NF	Cadmium Plate, Olive Drab, Over Electroless Nickel (1000 Hour Salt Spray)
T	Cadmium Plate, Bright Dip Over Nickel (500 Hour Salt Spray)

CONSULT FACTORY FOR OTHER AVAILABLE FINISHES

1. Metric dimensions (mm) are indicated in parentheses.
2. "P" option can be used for Pin and socket contacts.
3. Material/Finish:
 - Cover and Knob = Al Alloy/See Table III
 - Hardware = SST/Passivate
 - Rope Covering = Fluoropolymer/N.A.
 - Gasket = Silicone/N.A.


TABLE I: SHELL SIZE & CONNECTOR INTERFACE

Shell Size	Mating Connector	A	B
11	NPBY11/	1.826 (46.4)	.913 (23.2)
15	NPBY15/	2.226 (56.5)	1.113 (28.3)
19	NPBY19/	2.626 (66.7)	1.313 (33.4)
23	NPBY23/	3.026 (76.9)	1.513 (38.4)
27	NPBY27/	3.426 (87.0)	1.713 (43.5)
31	NPBY31/	3.826 (97.2)	1.913 (48.6)
35	NPBY35/	4.226 (107.3)	2.113 (53.7)
45	NPBY45/	5.226 (132.7)	2.613 (66.4)
52	NPBY52/	5.926 (150.5)	2.963 (75.3)

TABLE III - FINISH OPTIONS

Symbol	Finish
B	Cadmium Plate, Olive Drab
C	Black Anodize
J	Iridite, Gold Over Cadmium Plate over Nickel
M	Electroless Nickel
N	Cadmium Plate, Olive Drab, Over Nickel
NF	Cadmium Plate, Olive Drab, Over Electroless Nickel (1000 Hour Salt Spray)
T	Cadmium Plate, Bright Dip Over Nickel (500 Hour Salt Spray)

**CONSULT FACTORY FOR
OTHER AVAILABLE FINISHES**

TABLE II

Dash No.	C Dia
01	.140 (3.6)
02	.182 (4.6)
03	.191 (4.9)
04	.197 (5.0)
05	.167 (4.2)
07	.218 (5.5)
09	.156 (4.0)

1. Metric dimensions (mm) are indicated in parentheses.
2. Material/Finish:
 Cover and Knob = Al Alloy/
 Table III
 Hardware = SST/Passivate
 Rope Covering =
 Fluoropolymer/N.A.
 Gasket = Silicone/N.A.

667-084 Protective Cover for Hypertronics NPJY Connectors



Hypertronics

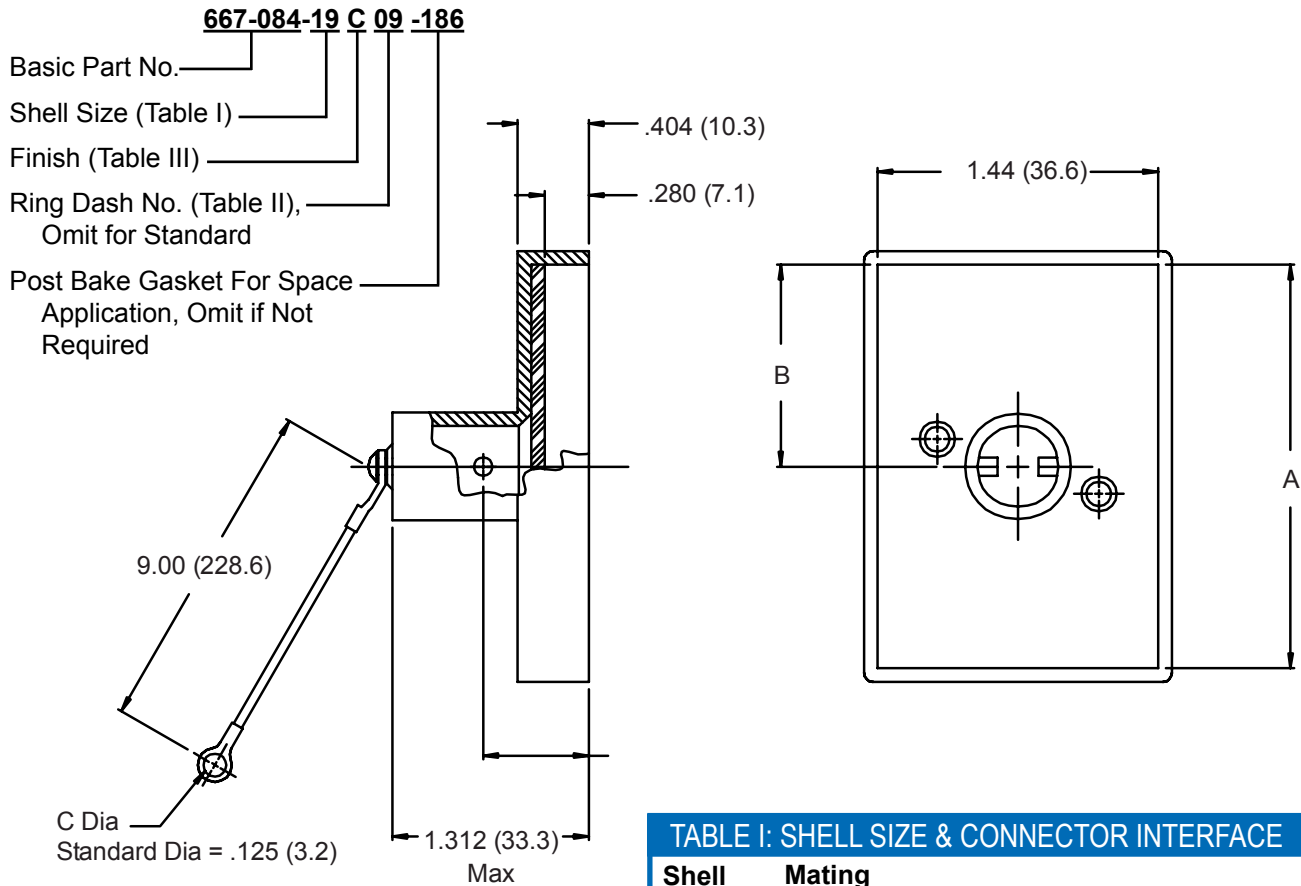


TABLE II: RING

Dash No.	C Dia
01	.140 (3.6)
02	.182 (4.6)
03	.191 (4.9)
04	.197 (5.0)
05	.167 (4.2)
07	.218 (5.5)
09	.156 (4.0)

TABLE I: SHELL SIZE & CONNECTOR INTERFACE

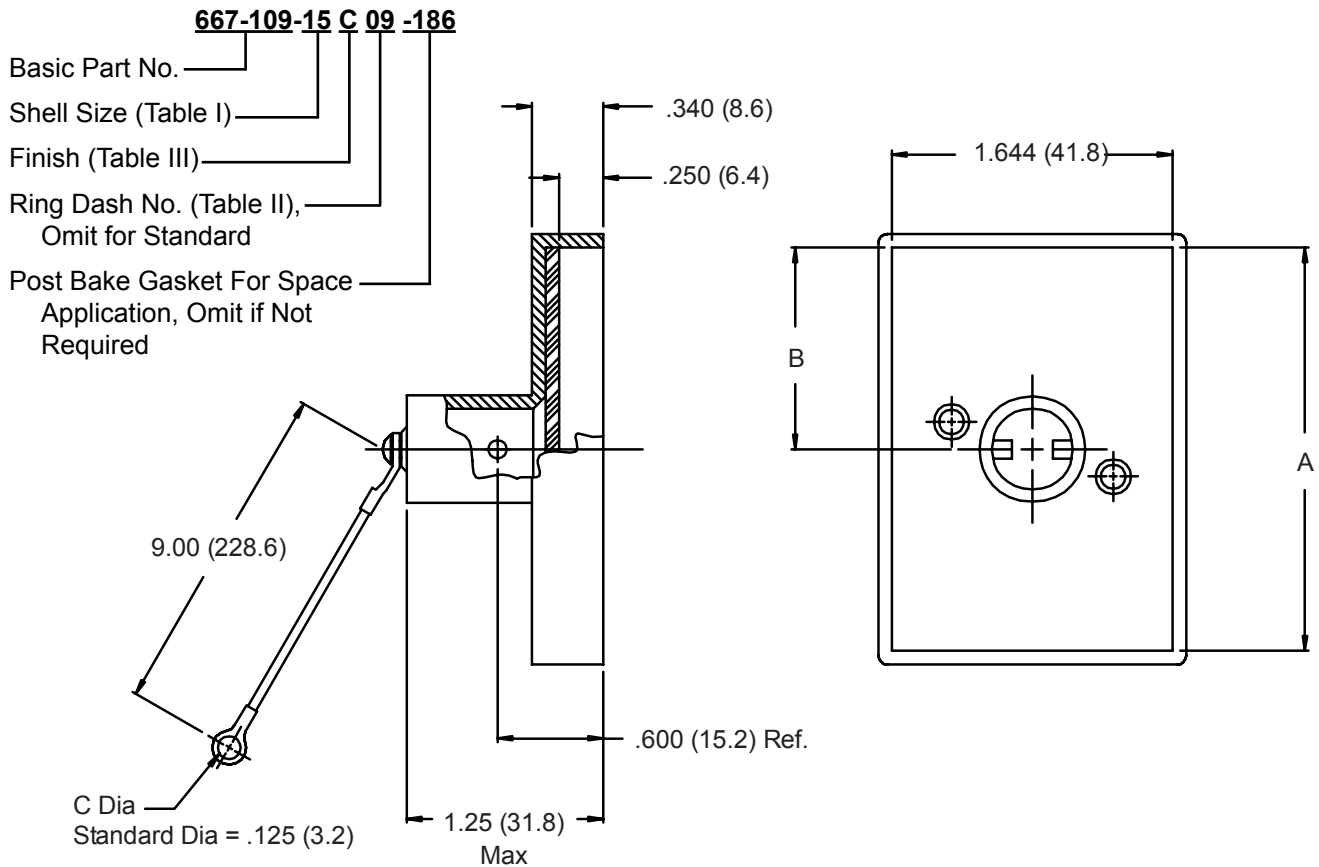
Shell Size	Mating Connector	A	B
11	NPJY11/	2.037 (51.7)	.913 (23.2)
15	NPJY15/	2.430 (61.7)	1.113 (28.3)
19	NPJY19/	2.830 (71.9)	1.313 (33.4)
23	NPJY23/	3.231 (82.1)	1.513 (38.4)
27	NPJY27/	3.631 (92.2)	1.713 (43.5)
31	NPJY31/	4.037 (102.5)	1.913 (48.6)
35	NPJY35/	4.430 (112.5)	2.113 (53.7)
45	NPJY45/	5.431 (137.9)	2.603 (66.1)

TABLE III - FINISH OPTIONS

Symbol	Finish
B	Cadmium Plate, Olive Drab
C	Black Anodize
J	Iridite, Gold Over Cadmium Plate over Nickel
M	Electroless Nickel
N	Cadmium Plate, Olive Drab, Over Nickel
NF	Cadmium Plate, Olive Drab, Over Electroless Nickel (1000 Hour Salt Spray)
T	Cadmium Plate, Bright Dip Over Nickel (500 Hour Salt Spray)

**CONSULT FACTORY FOR
OTHER AVAILABLE FINISHES**

- Metric dimensions (mm) are indicated in parentheses.
- Material/Finish:
 Cover and Knob = Al Alloy/
 Table III
 Hardware = SST/Passivate
 Rope Covering =
 Fluoropolymer/N.A.
 Gasket = Silicone/N.A.


TABLE I: SHELL SIZE & CONNECTOR INTERFACE

Shell Size	Mating Connector	A	B
12	LPMY12/	1.826 (46.4)	.913 (23.2)
15	LPMY15/	2.226 (56.5)	1.113 (28.3)
20	LPMY20/	2.626 (66.7)	1.313 (33.4)
22	LPMY22/	3.026 (76.9)	1.513 (38.4)

TABLE II: RING

Dash No.	C Dia
01	.140 (3.6)
02	.182 (4.6)
03	.191 (4.9)
04	.197 (5.0)
05	.167 (4.2)
07	.218 (5.5)
09	.156 (4.0)

TABLE III -FINISH OPTIONS

Symbol	Finish
B	Cadmium Plate, Olive Drab
C	Black Anodize
J	Iridite, Gold Over Cadmium Plate over Nickel
M	Electroless Nickel
N	Cadmium Plate, Olive Drab, Over Nickel
NF	Cadmium Plate, Olive Drab, Over Electroless Nickel (1000 Hour Salt Spray)
T	Cadmium Plate, Bright Dip Over Nickel (500 Hour Salt Spray)

**CONSULT FACTORY FOR
OTHER AVAILABLE FINISHES**

- Metric dimensions (mm) are indicated in parentheses.
- Material/Finish:
 Cover and Knob = Al Alloy/Table III
 Hardware = SST/Passivate
 Rope Covering = Fluoropolymer/N.A.
 Gasket = Silicone/N.A.

527 184 XO
 Product Series _____
 Basic Number _____
 Finish (Table I)

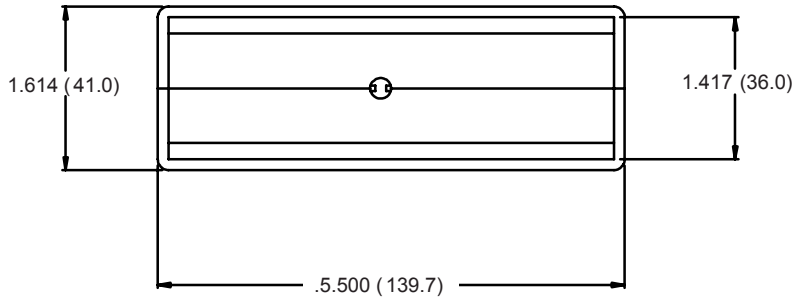
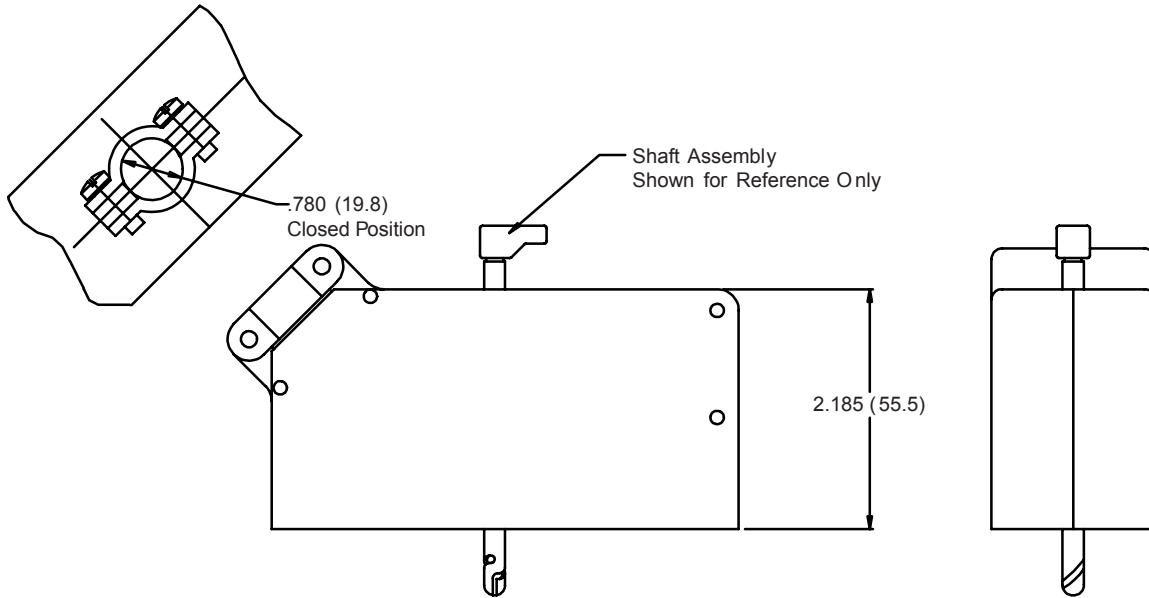


TABLE I: FINISH OPTIONS	
XM*	Electroless Nickel
XW*	Cadmium Olive Drab Over Electroless Nickel
XB	No Plating - Black Material
XO	No Plating - Base Material Non-conductive
* Note: Coupling nut supplied unplated.	

Metric dimensions (mm) are indicated in parentheses.

Product Selection Guide.....	2
Standard Materials and Finishes.....	3
Banding Tools and Accessories.....	4
D-Subminiature Backshells for MIL-C-24308 Connectors.....	A-1
D-Subminiature Backshell Exploded View Cable Mounted Plug Front Mounted Receptacle.....	A-2
D-Subminiature Backshell Exploded View Cable Mounted Plug Rear Mounted Receptacle.....	A-3
D-Subminiature Backshells Jackscrew Options.....	A-4
D-Subminiature Split Backshells Standard Dimensions.....	A-5
500-008 D-Subminiature Metal Protective Cover.....	A-6
500-024 D-Subminiature Dummy Stowage Receptacle.....	A-8
527-019 EMI/RFI D-Subminiature Split Backshell for Individual and Overall Shielding with Strain Relief.....	A-9
550-001 EMI/RFI D-Subminiature Split Backshell for Individual or Overall Shielding with Strain Relief.....	A-10
550-002 Environment Resisting EMI/RFI D-Subminiature Strain-Relief Split Backshell for Overall Shielding.....	A-12
550-003 EMI/RFI D-Subminiature Strain-Relief Split Backshell for Individual and Overall Shielding.....	A-14
550-004 EMI/RFI D-Subminiature Split Backshells for Individual or Overall Shielding with Strain Relief.....	A-16
550-005 EMI/RFI D-Subminiature Split Backshell Lamp-Thread Type Shield Termination with Shrink Boot Groove.....	A-18
550-006 EMI/RFI D-Subminiature Split Backshell Crimp Ring Shield Termination.....	A-20
550-007 EMI/RFI D-Subminiature Split Backshell with Pre-Terminated Overall Shield Sock.....	A-22
550-008 EMI/RFI D-Subminiature Split Backshell G-Spring Shield Termination with Strain-Relief.....	A-24
550-009 EMI/RFI D-Subminiature Panel Rear Mounted Split Backshell Strain Relief - for Overall Shielding.....	A-26
550-010 D-Subminiature G-Spring Split Backshell.....	A-28
550-018 D-Subminiature Potting Split Backshell.....	A-30
550-024 D-Subminiature Split Banding Backshell.....	A-32
550-031 and 550-200 D-Subminiature Shorting Cap Split Backshells.....	A-34
550-033 D-Subminiature Dual Banding Split Backshell.....	A-36
550-039 D-Subminiature Banding Split Backshell.....	A-38
550-041 D-Subminiature TAG Ring® Split Backshell with Shrink Boot Groove.....	A-40
550-048 D-Subminiature Split Tinel-Lock™ Banding Backshell.....	A-42
550-100 Non-EMI D-Subminiature Split Backshell.....	A-44
550-101D-Subminiature Retro-Fit Non-EMI Strain-Relief Split Backshell.....	A-46
550-102 D-Subminiature Qwik-Ty® Strain-Relief Split Backshell.....	A-48
557-110 EMI/RFI D-Subminiature Solid Backshell for Individual and Overall Shielding with Strain-Relief.....	A-50
557-018 EMI/RFI D-Subminiature Split Backshell Crimp Ring Shield Termination with Shrink Boot Groove.....	A-52
557-071D-Subminiature Solid Banding Backshell with Qwik-Ty® and Slot Options.....	A-54
557-080 D-Subminiature Dual-Entry Solid Banding Backshell.....	A-56
557-083 D-Subminiature Shorting Cap Solid Backshell.....	A-58
557-091EMI/RFI Banding Backshell Assembly for MIL-C-24308 Connectors.....	A-60
557-102 and 557-103 D-Subminiature 45° Entry Light-Weight Solid Banding Backshell.....	A-62
557-107 D-Subminiature Light-Weight Solid Banding Backshell.....	A-63
557-108 EMI/RFI Banding Backshell Assembly for MIL-C-24308 Connectors.....	A-64
557-109 EMI/RFI Banding Backshell Assembly for MIL-C-24308 Connectors.....	A-66
557-113 D-Subminiature Solid Banding Backshell With Qwik-Ty®.....	A-68
557-130 D-Subminiature TAG Ring® Solid Backshell.....	A-70
557-133 D-Subminiature G-Spring Solid Backshell.....	A-72
557-175 D-Subminiature G-Spring Solid Backshell.....	A-74
557-178 D-Subminiature Non-EMI Strain-Relief Solid Backshell.....	A-76
557-180 D-Subminiature Solid Tinel-Lock™ Banding Backshell.....	A-78

557-180 D-Subminiature Solid Tinel-Lock™ Banding Backshell.....	A-79
557-184 EMI/RFI Banding Backshell Assembly for MIL-C-24308 Connectors.....	A-80
557-186 Composite D-Subminiature EMI/RFI Banding Split Backshell.....	A-82
557-196 D-Subminiature Solid Banding Backshell with Elliptical Entry.....	A-84
557-200 EMI/RFI Banding Backshell Assembly for MIL-C-24308 Connectors.....	A-86
557-246 EMI/RFI Banding Backshell Assembly for MIL-DTL-24308 Connectors with Optional Qwik-Ty®.....	A-88
557-237 D-Subminiature G-Spring Solid Backshell.....	A-90
557-262 EMI/RFI Banding Backshell Assembly for MIL-C-24308 Connectors.....	A-92
557-283 D-Subminiature Lightweight Solid EMI/RFI Banding Backshell.....	A-94
557-319 EMI/RFI Banding Backshell Assembly for MIL-DTL-24308 Connectors.....	A-95
557-316 EMI/RFI Banding Backshell Assembly, RFI/EMI with Optional Qwik-Ty® for MIL-C-24308 Connectors.....	A-96
557-331 EMI/RFI Banding Backshell Assembly for MIL-C-24308 Connectors.....	A-98
557-367 EMI/RFI Banding Backshell Assembly for MIL-C-24308 Connectors.....	A-100
557-386 EMI/RFI Banding Backshell Assembly for MIL-C-24308 Connectors.....	A-102
557-387 EMI/RFI Backshell Assembly for MIL-C-24308 Connectors.....	A-104
557-398 EMI/RFI Banding Backshell Assembly for MIL-C-24308 Connectors.....	A-106
557-408 EMI/RFI Banding Backshell Assembly for MIL-C-24308 Connectors.....	A-108
559-001 D-Subminiature Backshells Mounting Kit for Rear Mounted Receptacle Connectors.....	A-110
559-002 and 507-120 EMI/Environmental Gaskets for D-Subminiature Backshells.....	A-111
M85049/48-1 Rectangular Strain-Relief Backshells for Unjacketed Wire Bundles.....	A-112
M85049/48-2 Rectangular Strain-Relief Backshells for Unjacketed Wire Bundles.....	A-113
M85049/48-3 Low Profile Rectangular Backshells for Individual Wires.....	A-114
M85049/50 Low Profile 90° Rectangular Backshells for Wire Bundles.....	A-115
780-518 "Marshal Bean" Protective Rubber Cover Universal D-Subminiature for MIL-DTL-24308 Connectors.....	A-116

MIL-C-81659 Connector Backshells.....	B-1
500-006 Split Backshell for MIL-C-81659 Connectors with MIL-C-38999 Series I & II, Size 20 Accessory Threads.....	B-2
500-023 Split EMI/RFI Banding Backshell for MIL-C-81659 Connectors.....	B-3
500-043 Split Backshell for MIL-C-81659 Connectors with MIL-C-38999 Series I & II, Size 17 Accessory Threads.....	B-4
507-001 Split Strain-Relief Backshell for MIL-C-81659 Connectors.....	B-5
507-002 Qwik-Ty® for MIL-C-81659 Connectors.....	B-6
507-003 EMI/RFI G-Spring Backshell for MIL-C-81659 Connectors.....	B-7
507-011 EMI/RFI Banding Backshell for MIL-C-81659 Connectors.....	B-8
507-059 EMI/RFI TAG Ring® Backshell for MIL-C-81659 Connectors.....	B-9
507-108 EMI/RFI Tinel-Lock™ Backshell for MIL-C-81659 Connectors.....	B-10
507-117 EMI/RFI Backshell for MIL-C-81659 Connectors with D38999 Series I & II Shell Size 17 Accessory Threads.....	B-11

Micro-D Backshells and Accessories.....	C-1
Micro-D Backshells and Accessories Selection Guide.....	C-2
Micro-D Backshell Wire Bundle Sizing Chart.....	C-3
Micro-D Backshells and Accessories Standard Materials and Hardware.....	C-4
Micro-D Hardware Dimensions and Accessories - Jackpost Kits.....	C-5
Micro-D Jackscrew Kits.....	C-6
Micro-D Dust Caps and Interfacial Seals.....	C-7
500-015 Micro-D Backshell Clip.....	C-8
500-052 Micro-D Jackpost Kit for Micro-D Rear Mount Connectors.....	C-9
500-063 Micro-D Jackpost Kit for Printed Circuit Boards.....	C-10
500-074 Micro-D Jackpost Kit for Printed Circuit Board Rear Mount Connectors.....	C-11

559-005 EMI/RFI Gasket For Micro-D Backshells.....	C-12
177-007 Shorting Plug for Micro-D Connectors.....	C-13
500-010 Standard Micro-D EMI/RFI Backshell.....	C-14
500-012 Qwik-Ty® Micro-D Backshell.....	C-16
500-011 EMI/RFI Micro-D Backshell with Shield Sock.....	C-18
507-145 EMI/RFI Split Micro-D Banding Backshell.....	C-20
507-146 EMI/RFI Solid Micro-D Backshell with Strain-Relief for Jacketed Cables.....	C-21
507-088 EMI/RFI Composite Micro-D Banding Backshell.....	C-22
500-047 EMI/RFI Elliptical Entry Micro-D Banding Backshell.....	C-24
507-164 EMI/RFI Split Banding Micro-D Backshell Elliptical Entry.....	C-26
507-142 EMI/RFI Dual Entry Micro-D Banding Backshell.....	C-28
500-017 Micro-D Metal Protective Cover.....	C-30
500-016 Shorting Micro-D Backshell.....	C-32
507-035 Micro-D Potting Shell.....	C-33
507-198 Micro-D Backshell Assembly with Strain-Relief for Un-Jacketed Wire Bundles.....	C-34
507-171 EMI/RFI Micro-D 45° Banding Backshell Assembly with Elliptical Banding Porch.....	C-36
507S177 EMI/RFI Micro-D Banding Backshell with Elliptical Banding Porch and Optional Qwik-Ty®.....	C-38
507-178 EMI/RFI Micro-D Split Banding Backshell with Elliptical Banding Porch.....	C-40
507-190 EMI-RFI Crimp-Ring Micro-D Backshell Assembly.....	C-42
507-195 EMI/RFI Micro-D Split Backshell Assembly with Clamp and Gland Nut Style Strain-Relief.....	C-44
500-056 EMI/RFI Backpanel Mount Micro-D Backshell with Qwik-Ty® Strain-Relief.....	C-46
780-555 "Marshal Bean" Protective Rubber Cover Universal Micro-D for MIL-C-83513 Connectors.....	C-48

Miscellaneous Rectangular Backshells.....	D-1
527-002 Split Backshell with Strain-Relief for MIL-C-83527/A Connectors.....	D-2
527-169 EMI/RFI Banding Backshell Assembly for Radial 617 610-058 & -059 Connectors.....	D-3
527-220 Strain-Relief Backshell for Hughes MRS Connectors.....	D-4
527-238 EMI/RFI Strain-Relief Backshell Assembly for Radial EPX2 Non-Environmental Connector.....	D-6
527-243 EMI/RFI Strain-Relief Backshell Assembly for Radial EPX2 Non-Environmental Connector.....	D-7
527-251 EMI-RFI Banding Backshell Assembly for Boeing BACC65 Connector.....	D-8
527-254 EMI-RFI Strain-Relief Backshell Assembly for Boeing BACC65 Connector.....	D-9
527-255 EMI/RFI Strain-Relief Banding Backshell for Radial EPXB Connector.....	D-10
527-260 EMI/RFI Qwik-Ty® Elliptical Banding Backshell for Boeing BACC65 Connector.....	D-11
527-260 EMI/RFI Qwik-Ty® 45° & 90° Elliptical Banding Backshell for Boeing BACC65 Connector.....	D-12
527-268 EMI-RFI Qwik-Ty® Banding Backshell for Radial EPXB Connector.....	D-13
527-276 EMI/RFI Banding Backshell for Radial EPXB Connector.....	D-14
527-265 EMI/RFI Elliptical Qwik-Ty® Straight Banding Backshell for Boeing BACC65 and Radial 617610100 Connectors.....	D-15
527-280 EMI/RFI Split Qwik-Ty® Banding Backshell for Radial 617 610 127 (EPXB Type) Connector.....	D-16
527-281 EMI/RFI Qwik-Ty® Elliptical Banding Backshell for Boeing BACC65 & Radial EPXB Connector.....	D-17
527-287 Split Backshell Straight, 45°, & 90° Entry for Hughes MRS Pin Body Connectors.....	D-18
527-288 Split Backshell Straight, 45°, & 90° Entry for Hughes MRS Pin Body Connectors.....	D-20
527-296 Split Backshell with Accessory Thread for Hughes RA Connector M28804/4, Dash Numbers 2 & 5.....	D-22
527-297 Split Backshell with Accessory Thread for Amphenol 126-20753, 2&5, 126-20910, 126-20913, and 126-20914 Connectors.....	D-23
527-197 Strain-Relief Backshell for Hughes MRS Connectors.....	D-24
527-303 Split Backshell Straight, 45°, & 90° Entry with Accessory Thread for Hughes MRS Pin Body Connectors.....	D-26
780-510 "Marshal Bean" Protective Rubber Cover Universal Rectangular for All Rectangularly-Shaped Connectors.....	D-28