



Backshells & Accessories

AS85049 - D38999 - MS



Contents

Overview

| | |
|---|----|
| Typical applications | 06 |
| Features & Benefits | 07 |
| Range overview | 08 |
| General technical characteristics | 10 |

Backshell

| | |
|----------------------|----|
| AS85049 Series | 14 |
|----------------------|----|

Protective Covers

| | |
|---------------------|-----|
| AS25 Series | 96 |
| D38999 Series | 98 |
| MS275 Series | 100 |
| MS31 Series | 102 |

Accessories

| | |
|--|-----|
| Shield support ring - AS85049 Series | 108 |
| Bushing strip - AS85049 Series..... | 109 |
| Clamping bands - AS85049 Series | 110 |

Appendix

| | |
|------------------------|-----|
| Part number index..... | 114 |
|------------------------|-----|

MIL-SPEC PRODUCTS

Overview

| | |
|---|----|
| ■ Typical applications | 06 |
| ■ Features & Benefits | 07 |
| ■ Range overview | 08 |
| ■ General technical characteristics | 10 |

Typical applications



© Dell / Fotolia

Civil Aviation



© Glenn Fawcett

Ground Transportation



© Rainald Pleß / Fotolia

Industry



© Sascha Hahn / Shutterstock

Military Aircraft



© Dougg / Fotolia

Ground Army



© Alex Zabusk / Shutterstock

Military Marine

Features & Benefits

QPL

AS85049, D38999 & MS Qualified

SUNBANK offers a wide range of qualified products for your wiring assembly: backshells, cover & accessories.

HIGH RELIA- BILITY

Self-Locking

SUNBANK has developed 2 self-locking mechanisms to withstand high vibrations. Non self-locking option is also available for mild environments.

LIGHT- WEIGHT

High end Materials

Aerospace grade aluminum and composite materials are used to manufacture our products.

ENVIRON- MENTAL

Plating Compliance

Products are available in several surface finishes compliant with applicable environmental regulations.

EMI/ RFI

Signal Integrity

Many designs allowing shield attachment are available. Corrosion resistance and continuity is ensured by the material/plating combination.

BACKSHELL

Cable clamp strain relief



| Connector type | AS85049 Series |
|---|--|
| AS50151 solder MIL-DTL-26482 Series 2 MIL-DTL-83723 Series 3 EN2997 & EN3646 | AS85049/42 - page 65 ■ AS85049/43 - page 66 ■ AS85049/51 - page 71 ■ AS85049/52 - page 73 ■ |
| MIL-DTL-27599 MIL-DTL-38999 Series I & II | AS85049/47 - page 69 ■ AS85049/49-2 - page 70 ■● |
| MIL-DTL-38999 Series III & IV EN3645 | AS85049/21 - page 42 ■ AS85049/38 - page 63 ■● AS85049/39 - page 64 ■● AS85049/91, 92 - page 91 ▲ AS85049/103 - page 92 ▲ AS85049/104 - page 92 ▲ AS85049/105 - page 92 ■● |

Banding backshell



| Connector type | AS85049 Series |
|--|---|
| AS50151 crimp MIL-DTL-26482 Series 2 MIL-DTL-83723 Series 3 EN2997 & EN3646 | AS85049/82 - page 88 ■ AS85049/83 - page 88 ■ AS85049/84 - page 88 ■ |
| MIL-DTL-27599 MIL-DTL-38999 Series I & II | AS85049/85 - page 89 ■ AS85049/86 - page 89 ■ AS85049/87 - page 89 ■ |
| MIL-DTL-38999 Series III & IV EN3645 | AS85049/88 - page 90 ■▲ AS85049/89 - page 90 ■▲ AS85049/90 - page 90 ■▲ |

Cable tie strain relief



| Connector type | AS85049 Series |
|--|--|
| AS50151 crimp MIL-DTL-26482 Series 2 MIL-DTL-83723 Series 3 EN2997 & EN3646 | AS85049/53 - page 75 ■ AS85049/54 - page 75 ■ AS85049/55 - page 75 ■ |
| MIL-DTL-38999 Series I & II | AS85049/57 - page 76 ■ AS85049/63 - page 82 ■ |
| MIL-DTL-38999 Series III & IV EN3645 | AS85049/15 - page 37 ■ AS85049/16 - page 37 ■ |

EMI/RFI backshell



| Connector type | AS85049 Series |
|--|---|
| AS50151 crimp MIL-DTL-26482 Series 2 MIL-DTL-83723 Series 3 EN2997 & EN3646 | AS85049/23 - page 43 ■● AS85049/24 - page 46 ■ AS85049/25 - page 49 ■ AS85049/26-1 - page 54 ■ AS85049/26-2 - page 55 ■ AS85049/26-3 - page 54 ■ |
| MIL-DTL-27599 MIL-DTL-38999 Series I & II | AS85049/29 - page 57 ■ AS85049/33-2 - page 60 ■ AS85049/36 - page 61 ■ AS85049/37 - page 62 ■ |
| MIL-DTL-38999 Series III & IV EN3645 | AS85049/19 - page 40 ■ AS85049/20 - page 41 ■ |

EMI & environmental backshell



| Connector type | AS85049 Series |
|-------------------------------|---|
| AS50151 crimp | AS85049/6 - page 14 ■● AS85049/8 - page 20 ■● AS85049/10 - page 26 ■● |
| MIL-DTL-38999 Series I & II | AS85049/17 - page 38 ■ AS85049/76 - page 84 ■ AS85049/77 - page 85 ■ |
| MIL-DTL-38999 Series III & IV | AS85049/18 - page 39 ■ AS85049/78 - page 86 ■ AS85049/79 - page 87 ■ |

Environmental backshell



| Connector type | AS85049 Series |
|--|---|
| AS50151 crimp MIL-DTL-26482 Series 2 MIL-DTL-83723 Series 3 EN2997 & EN3646 | AS85049/7 - page 17 ■● AS85049/9 - page 23 ■● AS85049/11 - page 31 ■● |

Materials: ■ Aluminum ● Stainless steel ▲ Composite

overview

BACKSHELL

Grommet nut



| Connector type | AS85049 Series |
|--|--|
| MIL-DTL-38999 Series I & II | AS85049/27 - page 56 ■ |
| AS50151 crimp MIL-DTL-26482 Series 2 MIL-DTL-83723 Series 3 EN2997 & EN3646 | AS85049/14 - page 36 ■ AS85049/31 - page 58 ■ |

Potting & shrink boot adapter



| Connector type | AS85049 Series |
|--|---|
| AS50151 crimp MIL-DTL-26482 Series 2 MIL-DTL-83723 Series 3 EN2997 & EN3646 | AS85049/60-1 - page 78 ■ AS85049/60-2G - page 79 ■ |
| MIL-DTL-27599 | AS85049/61 - page 80 ■ |
| MIL-DTL-27599 MIL-DTL-38999 Series I & II | AS85049/62 - page 81 ■ |
| MIL-DTL-38999 Series I & II | AS85049/58 - page 77 ■ |
| MIL-DTL-38999 Series III & IV EN3645 | AS85049/69 - page 83 ■ |

Strain relief flexible plastic body



| Connector type | AS85049 Series |
|-----------------------------|--|
| MIL-DTL-38999 Series I & II | AS85049/45 - page 67 ■ AS85049/46 - page 68 ■ |

PROTECTIVE COVERS

Threaded mating



| Connector type | Dust cover Series |
|--------------------------|--|
| AS50151 | AS25042 - page 90 ■ AS25043 - page 91 ■ |
| MIL-DTL-38999 Series III | D38999/32 - page 92 ■ D38999/33 - page 93 ■ |

Bayonet mating



| Connector type | Dust cover Series |
|-------------------------------|--|
| MIL-DTL-38999 Series I | MS27501 - page 94 ■ MS27502 - page 95 ■ |
| MIL-DTL-38999 Series I & II | MS27510 - page 96 ■ MS27511 - page 97 ■ |
| MIL-DTL-38999 Series III & IV | MS3180 - page 98 ■ MS3181 - page 99 ■ |

ACCESSORIES

Shield support ring



| Connector type | AS85049 Series |
|----------------|-------------------------|
| All | AS85049/93 - page 102 ▲ |

Bushing strip



| Connector type | AS85049 Series |
|----------------|------------------------|
| All | AS85049/127 - page 103 |

Clamping band



| Connector type | AS85049 Series |
|----------------|--------------------------|
| All | AS85049/128 - page 104 ● |



Description

- The SUNBANK AS85049 Series offers a very wide variety of circular solutions: EMI, environmental, straight, 45° or 90°, aluminum or composite, with strain relief or banding platform, etc... There is no doubt you'll find the right Mil-spec backshell for your assembly.
- The AS85049 Series regroups all our military standard QPL backshells.
- They are designed to fit the main circular connectors used in our industry: MIL-DTL-26482 Series 2, 83723 Series 1 & 3, 38999 Series I, II, III & IV, EN2997, EN3645, EN3646.
- Marking in accordance with: MIL-STD-1285.

Technical features

Materials

- Aluminum, Stainless steel, composite.

Electrical

- **Shell conductivity:**
Aluminum: $R < 2.5m\Omega$
Stainless steel: $R < 2.5m\Omega$
Composite: $R < 5m\Omega$

Environmental

- **Plating:**
Nickel, Cadmium, Black anodized, Passivate (for stainless steel only)
- **Temperature range:**
Electroless Nickel: $-65^{\circ}C$ to $+200^{\circ}C$
Passivate: $-65^{\circ}C$ to $+200^{\circ}C$
Other plating: $-65^{\circ}C$ to $+175^{\circ}C$

- **Salt spray resistance:**
Aluminum shell:
Electroless Nickel: 96 hours
Black anodized: 500 hours
Cadmium: 1.000 hours
Stainless steel shell:
Passivate: 1.000 hours
Composite shell:
Electroless Nickel: 2.000 hours
Cadmium: 2.000 hours

Notes

A large grid area for taking notes, consisting of approximately 25 columns and 35 rows of small squares.

MIL-Spec Products

Backshell

| | |
|----------------------------|----|
| AS85049/6..... | 14 |
| AS85049/7..... | 17 |
| AS85049/8..... | 20 |
| AS85049/9..... | 23 |
| AS85049/10..... | 26 |
| AS85049/11..... | 31 |
| AS85049/14..... | 36 |
| AS85049/15,16..... | 37 |
| AS85049/17..... | 38 |
| AS85049/18..... | 39 |
| AS85049/19..... | 40 |
| AS85049/20..... | 41 |
| AS85049/21..... | 42 |
| AS85049/23..... | 43 |
| AS85049/24..... | 46 |
| AS85049/25..... | 49 |
| AS85049/26-1, 26-3..... | 54 |
| AS85049/26-2..... | 55 |
| AS85049/27..... | 56 |
| AS85049/29..... | 57 |
| AS85049/31..... | 58 |
| AS85049/33-2..... | 60 |
| AS85049/36..... | 61 |
| AS85049/37..... | 62 |
| AS85049/38..... | 63 |
| AS85049/39..... | 64 |
| AS85049/42..... | 65 |
| AS85049/43..... | 66 |
| AS85049/45..... | 67 |
| AS85049/46..... | 68 |
| AS85049/47..... | 69 |
| AS85049/49-2..... | 70 |
| AS85049/51..... | 71 |
| AS85049/52..... | 73 |
| AS85049/53, 54, 55..... | 75 |
| AS85049/57..... | 76 |
| AS85049/58..... | 77 |
| AS85049/60-1..... | 78 |
| AS85049/60-2G..... | 79 |
| AS85049/61..... | 80 |
| AS85049/62..... | 81 |
| AS85049/63..... | 82 |
| AS85049/69..... | 83 |
| AS85049/76..... | 84 |
| AS85049/77..... | 85 |
| AS85049/78..... | 86 |
| AS85049/79..... | 87 |
| AS85049/82, 83, 84..... | 88 |
| AS85049/85, 86, 87..... | 89 |
| AS85049/88, 89, 90..... | 90 |
| AS85049/91, 92..... | 91 |
| AS85049/103, 104, 105..... | 92 |

AS85049/6 Series EMI/RFI environmental backshell - Aluminum 45°

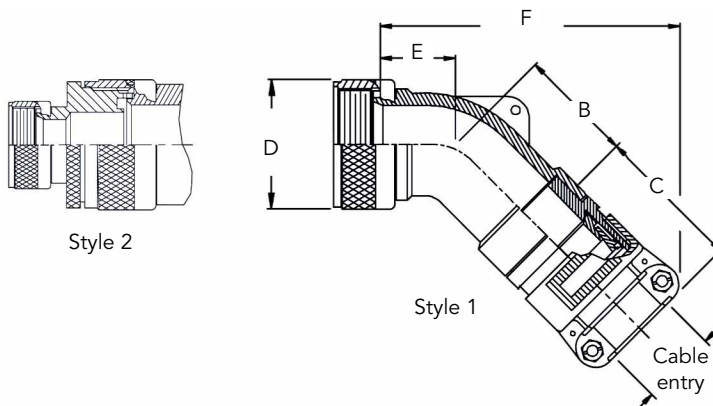
For connectors:

- AS50151 crimp
- EN2997 & EN3646
- MIL-DTL-26482 Series 2
- MIL-DTL-83723 Series 3

Ordering information

| | | | |
|--|------------------|-----------|----------|
| Basic Series | AS85049/6 | 24 | W |
| Dash number 1 to 75 | | | |
| Material and plating | | | |
| W: Aluminum, olive drab cadmium over electroless nickel, 1000 hours salt spray | | | |
| N: Aluminum, electroless nickel | | | |
| S: Stainless steel, passivated | | | |
| B: Stainless steel, black cadmium | | | |

Dimensions



| Dash number | Shell size | Style | B $\pm 0.062"/1.57$ | | C reference | | Ø D maxi | | E $\pm 0.125"/3.17$ | | F maxi | | Cable entry mini | | Cable entry maxi | |
|-------------|------------|-------|---------------------|-------|-------------|-------|----------|-------|---------------------|-------|--------|--------|------------------|------|------------------|------|
| | | | inch | mm | inch | mm | inch | mm | inch | mm | inch | mm | inch | mm | inch | mm |
| 3 | 8 | 1 | 1.182 | 30.02 | 1.544 | 39.21 | 0.617 | 15.67 | 0.500 | 12.70 | 2.88 | 73.15 | 0.125 | 3.2 | 0.250 | 6.4 |
| 4 | 10 | 1 | 1.850 | 46.99 | 1.544 | 39.21 | 0.734 | 18.64 | 0.561 | 14.24 | 3.41 | 86.61 | 0.125 | 3.2 | 0.312 | 7.9 |
| 5 | 10 | 1 | 1.245 | 31.62 | 1.544 | 39.21 | 0.734 | 18.64 | 0.561 | 14.24 | 3.05 | 77.46 | 0.250 | 6.4 | 0.375 | 9.5 |
| 6 | 12 | 1 | 1.910 | 48.51 | 1.544 | 39.21 | 0.858 | 21.79 | 0.625 | 15.87 | 3.52 | 89.40 | 0.125 | 3.2 | 0.312 | 7.9 |
| 7 | 12 | 1 | 1.910 | 48.51 | 1.544 | 39.21 | 0.858 | 21.79 | 0.625 | 15.87 | 3.58 | 90.93 | 0.250 | 6.4 | 0.437 | 11.1 |
| 8 | 12 | 1 | 1.910 | 48.51 | 1.844 | 46.83 | 0.858 | 21.79 | 0.625 | 15.87 | 3.86 | 98.04 | 0.350 | 8.9 | 0.500 | 12.7 |
| 9 | 14 | 1 | 2.000 | 50.80 | 1.544 | 39.21 | 0.984 | 24.99 | 0.688 | 17.47 | 3.71 | 94.23 | 0.250 | 6.4 | 0.437 | 11.1 |
| 10 | 14 | 1 | 1.655 | 42.03 | 1.844 | 46.83 | 0.984 | 24.99 | 0.688 | 17.47 | 3.74 | 94.99 | 0.350 | 8.9 | 0.575 | 14.6 |
| 11 | 16 | 1 | 2.110 | 53.59 | 1.544 | 39.21 | 1.112 | 28.24 | 0.781 | 19.83 | 3.88 | 98.55 | 0.250 | 6.4 | 0.437 | 11.1 |
| 12 | 16 | 1 | 1.750 | 44.44 | 1.916 | 48.66 | 1.112 | 28.24 | 0.781 | 19.83 | 4.03 | 102.36 | 0.500 | 12.7 | 0.700 | 17.8 |
| 13 | 18 | 1 | 2.300 | 58.41 | 1.844 | 46.83 | 1.218 | 30.93 | 0.968 | 24.58 | 4.48 | 113.79 | 0.350 | 8.9 | 0.625 | 15.9 |

Continued on pages 15 and 16

Note: All dimensions are in inches and millimeters (inch/mm). For complete dimensions, see the applicable Military Specification. Cable entry is defined as the envelope area of the cable or wire bundle. It is not intended for inspection criteria.

AS85049/6 Series (continued)
EMI/RFI environmental backshell - Aluminum 45°

Dimensions

| Dash number | Shell size | Style | B $\pm 0.062"/1.57$ | | C reference | | Ø D maxi | | E $\pm 0.125"/3.17$ | | F maxi | | Cable entry mini | | Cable entry maxi | |
|-------------|------------|-------|---------------------|-------|-------------|-------|----------|-------|---------------------|-------|--------|--------|------------------|------|------------------|------|
| | | | inch | mm | inch | mm | inch | mm | inch | mm | inch | mm | inch | mm | inch | mm |
| 14 | 18 | 1 | 1.938 | 49.22 | 2.000 | 50.80 | 1.218 | 30.93 | 0.968 | 24.58 | 4.49 | 114.04 | 0.625 | 15.9 | 0.779 | 19.8 |
| 15 | 20 | 1 | 2.300 | 58.41 | 1.844 | 46.83 | 1.345 | 34.16 | 0.968 | 24.58 | 4.48 | 113.79 | 0.350 | 8.9 | 0.625 | 15.9 |
| 16 | 20 | 1 | 1.938 | 49.22 | 2.000 | 50.80 | 1.345 | 34.16 | 0.968 | 24.58 | 4.49 | 114.04 | 0.625 | 15.9 | 0.904 | 23.0 |
| 17 | 22 | 1 | 2.450 | 62.23 | 1.916 | 48.66 | 1.468 | 37.28 | 1.063 | 27.00 | 4.81 | 122.17 | 0.500 | 12.7 | 0.750 | 19.1 |
| 18 | 22 | 1 | 2.093 | 53.16 | 2.230 | 56.64 | 1.468 | 37.28 | 1.063 | 27.00 | 4.98 | 126.49 | 0.875 | 22.2 | 1.029 | 26.1 |
| 19 | 24 | 1 | 2.450 | 62.23 | 1.916 | 48.66 | 1.593 | 40.46 | 1.063 | 27.00 | 4.81 | 122.17 | 0.500 | 12.7 | 0.750 | 19.1 |
| 20 | 24 | 1 | 2.093 | 53.16 | 2.230 | 56.64 | 1.593 | 40.46 | 1.063 | 27.00 | 4.98 | 126.49 | 0.875 | 22.2 | 1.144 | 29.1 |
| 21 | 28 | 1 | 2.500 | 63.50 | 2.000 | 50.80 | 1.969 | 50.01 | 1.188 | 30.17 | 5.11 | 129.79 | 0.625 | 15.9 | 0.937 | 23.8 |
| 22 | 28 | 1 | 2.156 | 54.76 | 2.024 | 51.40 | 1.969 | 50.01 | 1.188 | 30.17 | 5.09 | 129.28 | 1.000 | 25.4 | 1.375 | 34.9 |
| 23 | 32 | 1 | 2.600 | 66.03 | 2.000 | 50.80 | 2.219 | 56.36 | 1.250 | 31.75 | 5.24 | 133.85 | 0.625 | 15.9 | 0.937 | 23.8 |
| 24 | 32 | 1 | 2.600 | 66.03 | 2.230 | 56.64 | 2.219 | 56.36 | 1.250 | 31.75 | 5.52 | 140.20 | 0.875 | 22.2 | 1.250 | 31.8 |
| 25 | 32 | 1 | 2.250 | 57.15 | 2.550 | 64.77 | 2.219 | 56.36 | 1.250 | 31.75 | 5.73 | 145.54 | 1.250 | 31.8 | 1.625 | 41.3 |
| 26 | 36 | 1 | 2.690 | 68.32 | 2.000 | 50.80 | 2.469 | 62.71 | 1.281 | 32.53 | 5.33 | 135.38 | 0.625 | 15.9 | 0.937 | 23.8 |
| 27 | 36 | 1 | 2.690 | 68.32 | 2.024 | 51.40 | 2.469 | 62.71 | 1.281 | 32.53 | 5.56 | 141.22 | 1.000 | 25.4 | 1.375 | 34.9 |
| 28 | 36 | 1 | 2.344 | 59.53 | 2.600 | 66.03 | 2.489 | 63.22 | 1.281 | 32.53 | 5.95 | 151.13 | 1.437 | 36.5 | 1.840 | 46.7 |
| 29 | 40 | 1 | 2.690 | 68.32 | 2.000 | 50.80 | 2.719 | 69.06 | 2.031 | 51.58 | 6.08 | 154.43 | 0.625 | 15.9 | 0.937 | 23.8 |
| 30 | 40 | 1 | 2.690 | 68.32 | 2.024 | 51.40 | 2.719 | 69.06 | 2.031 | 51.58 | 6.31 | 160.27 | 1.000 | 25.4 | 1.375 | 34.9 |
| 31 | 40 | 1 | 2.344 | 59.53 | 2.600 | 66.03 | 2.719 | 69.06 | 2.031 | 51.58 | 6.70 | 170.18 | 1.437 | 36.5 | 1.875 | 47.6 |
| 32 | 44 | 1 | 2.690 | 68.32 | 2.000 | 50.80 | 2.969 | 75.41 | 2.031 | 51.58 | 6.08 | 154.43 | 0.625 | 15.9 | 0.937 | 23.8 |
| 33 | 44 | 1 | 2.690 | 68.32 | 2.024 | 51.40 | 2.969 | 75.41 | 2.031 | 51.58 | 6.31 | 160.27 | 1.000 | 25.4 | 1.375 | 34.9 |
| 34 | 44 | 1 | 2.344 | 59.53 | 2.600 | 66.03 | 2.969 | 75.41 | 2.031 | 51.58 | 6.70 | 170.18 | 1.437 | 36.5 | 1.875 | 47.6 |
| 35 | 48 | 1 | 2.690 | 68.32 | 2.000 | 50.80 | 3.219 | 81.76 | 2.031 | 51.58 | 6.08 | 154.43 | 0.625 | 15.9 | 0.937 | 23.8 |
| 36 | 48 | 1 | 2.690 | 68.32 | 2.024 | 51.40 | 3.219 | 81.76 | 2.031 | 51.58 | 6.31 | 160.27 | 1.000 | 25.4 | 1.375 | 34.9 |
| 37 | 48 | 1 | 2.344 | 59.53 | 2.600 | 66.03 | 3.219 | 81.76 | 2.031 | 51.58 | 6.70 | 170.18 | 1.437 | 36.5 | 1.875 | 47.6 |
| 40 | 16 | 1 | 2.110 | 53.59 | 1.844 | 46.83 | 1.112 | 28.24 | 0.781 | 19.83 | 4.16 | 105.66 | 0.350 | 8.9 | 0.625 | 15.9 |
| 41 | 18 | 1 | 2.300 | 58.41 | 1.544 | 39.21 | 1.218 | 30.93 | 0.968 | 24.58 | 4.13 | 104.90 | 0.125 | 3.2 | 0.312 | 7.9 |
| 42 | 18 | 1 | 2.300 | 58.41 | 1.544 | 39.21 | 1.218 | 30.93 | 0.968 | 24.58 | 4.20 | 106.67 | 0.250 | 6.4 | 0.437 | 11.1 |
| 43 | 20 | 1 | 2.300 | 58.41 | 1.544 | 39.21 | 1.345 | 34.16 | 0.968 | 24.58 | 4.20 | 106.67 | 0.250 | 6.4 | 0.437 | 11.1 |
| 44 | 22 | 1 | 2.450 | 62.23 | 1.544 | 39.21 | 1.488 | 37.79 | 1.063 | 27.00 | 4.34 | 110.23 | 0.125 | 3.2 | 0.312 | 7.9 |
| 45 | 22 | 1 | 2.450 | 62.23 | 1.544 | 39.21 | 1.468 | 37.28 | 1.063 | 27.00 | 4.40 | 111.76 | 0.250 | 6.4 | 0.437 | 11.1 |
| 46 | 24 | 1 | 2.450 | 62.23 | 1.844 | 46.83 | 1.593 | 40.46 | 1.063 | 27.00 | 4.68 | 118.87 | 0.350 | 8.9 | 0.625 | 15.9 |
| 47 | 36 | 1 | 2.690 | 68.32 | 1.916 | 48.66 | 2.469 | 62.71 | 1.281 | 32.53 | 5.20 | 132.07 | 0.500 | 12.7 | 0.750 | 19.1 |
| 48 | 40 | 1 | 2.690 | 68.32 | 1.916 | 48.66 | 2.719 | 69.06 | 2.031 | 51.58 | 5.95 | 151.13 | 0.500 | 12.7 | 0.750 | 19.1 |
| 49 | 10 | 2 | 1.910 | 48.51 | 1.544 | 39.21 | 0.734 | 18.64 | 1.375 | 34.92 | 4.33 | 109.98 | 0.250 | 6.4 | 0.437 | 11.1 |
| 50 | 14 | 2 | 2.300 | 58.41 | 1.916 | 48.66 | 0.984 | 24.99 | 1.717 | 43.61 | 5.36 | 136.17 | 0.500 | 12.7 | 0.750 | 19.1 |
| 51 | 16 | 2 | 2.450 | 62.23 | 2.000 | 50.80 | 1.112 | 28.24 | 1.812 | 46.02 | 5.70 | 144.78 | 0.625 | 15.9 | 0.937 | 23.8 |

Continued from page 14 and continued on page 16

Note: All dimensions are in inches and millimeters (inch/mm). For complete dimensions, see the applicable Military Specification. Cable entry is defined as the envelope area of the cable or wire bundle. It is not intended for inspection criteria.

AS85049/6 Series (continued)
EMI/RFI environmental backshell - Aluminum 45°

Dimensions

| Dash number | Shell size | Style | B $\pm 0.062"/1.57$ | | C reference | | Ø D maxi | | E $\pm 0.125"/3.17$ | | F maxi | | Cable entry mini | | Cable entry maxi | |
|-------------|------------|-------|---------------------|-------|-------------|-------|----------|-------|---------------------|-------|--------|--------|------------------|------|------------------|------|
| | | | inch | mm | inch | mm | inch | mm | inch | mm | inch | mm | inch | mm | inch | mm |
| 52 | 18 | 1 | 2.300 | 58.41 | 1.916 | 48.66 | 1.218 | 30.93 | 0.968 | 24.58 | 4.61 | 117.09 | 0.500 | 12.7 | 0.750 | 19.1 |
| 54 | 20 | 1 | 2.300 | 58.41 | 1.916 | 48.66 | 1.345 | 34.16 | 0.968 | 24.58 | 4.61 | 117.09 | 0.500 | 12.7 | 0.750 | 19.1 |
| 55 | 20 | 2 | 2.500 | 63.50 | 2.230 | 56.64 | 1.345 | 34.16 | 1.936 | 49.17 | 6.14 | 155.95 | 0.875 | 22.2 | 1.250 | 31.8 |
| 56 | 22 | 1 | 2.450 | 62.23 | 1.844 | 46.83 | 1.468 | 37.28 | 1.063 | 27.00 | 4.68 | 118.87 | 0.350 | 8.9 | 0.625 | 15.9 |
| 57 | 22 | 1 | 2.450 | 62.23 | 2.000 | 50.80 | 1.468 | 37.28 | 1.063 | 27.00 | 4.95 | 125.73 | 0.625 | 15.9 | 0.937 | 23.8 |
| 58 | 22 | 2 | 2.500 | 63.50 | 2.230 | 56.64 | 1.468 | 37.28 | 1.936 | 49.17 | 6.14 | 155.95 | 0.875 | 22.2 | 1.250 | 31.8 |
| 59 | 24 | 1 | 2.450 | 62.23 | 2.000 | 50.80 | 1.593 | 40.46 | 1.063 | 27.00 | 4.95 | 125.73 | 0.625 | 15.9 | 0.937 | 23.8 |
| 60 | 28 | 1 | 2.500 | 63.50 | 1.916 | 48.66 | 1.969 | 50.01 | 1.188 | 30.17 | 4.97 | 126.23 | 0.500 | 12.7 | 0.750 | 19.1 |
| 61 | 28 | 1 | 2.500 | 63.50 | 2.230 | 56.64 | 1.969 | 50.01 | 1.188 | 30.17 | 5.39 | 136.90 | 0.875 | 22.2 | 1.250 | 31.8 |
| 62 | 32 | 1 | 2.600 | 66.03 | 2.024 | 51.40 | 2.219 | 56.36 | 1.250 | 31.75 | 5.47 | 138.93 | 1.000 | 25.4 | 1.375 | 34.9 |
| 63 | 36 | 1 | 2.690 | 68.32 | 2.230 | 56.64 | 2.469 | 62.71 | 1.281 | 32.53 | 5.62 | 142.74 | 0.875 | 22.2 | 1.250 | 31.8 |
| 64 | 36 | 1 | 2.690 | 68.32 | 2.550 | 64.77 | 2.469 | 62.71 | 1.281 | 32.53 | 6.08 | 154.43 | 1.250 | 31.8 | 1.625 | 41.3 |
| 65 | 40 | 1 | 2.690 | 68.32 | 2.230 | 56.64 | 2.719 | 69.06 | 2.031 | 51.58 | 6.37 | 161.79 | 0.875 | 22.2 | 1.250 | 31.8 |
| 66 | 40 | 1 | 2.690 | 68.32 | 2.550 | 64.77 | 2.719 | 69.06 | 2.031 | 51.58 | 6.83 | 173.48 | 1.250 | 31.8 | 1.625 | 41.3 |
| 67 | 44 | 1 | 2.690 | 68.32 | 2.230 | 56.64 | 2.969 | 75.41 | 2.031 | 51.58 | 6.37 | 161.79 | 0.875 | 22.2 | 1.250 | 31.8 |
| 68 | 44 | 1 | 2.690 | 68.32 | 2.550 | 64.77 | 2.969 | 75.41 | 2.031 | 51.58 | 6.83 | 173.48 | 1.250 | 31.8 | 1.625 | 41.3 |
| 69 | 48 | 1 | 2.690 | 68.32 | 2.230 | 56.64 | 3.219 | 81.76 | 2.031 | 51.58 | 6.37 | 161.79 | 0.875 | 22.2 | 1.250 | 31.8 |
| 70 | 48 | 1 | 2.690 | 68.32 | 2.550 | 64.77 | 3.219 | 81.76 | 2.031 | 51.58 | 6.83 | 173.48 | 1.250 | 31.8 | 1.625 | 41.3 |
| 71 | 12 | 2 | 2.110 | 53.59 | 1.844 | 46.83 | 0.858 | 21.79 | 1.529 | 38.83 | 4.90 | 124.46 | 0.350 | 8.9 | 0.625 | 15.9 |
| 72 | 18 | 2 | 2.450 | 62.23 | 2.000 | 50.80 | 1.218 | 30.93 | 1.812 | 46.02 | 5.69 | 144.52 | 0.625 | 15.9 | 0.937 | 23.8 |
| 73 | 24 | 2 | 2.500 | 63.50 | 2.230 | 56.64 | 1.593 | 40.46 | 1.936 | 49.17 | 6.13 | 155.70 | 0.875 | 22.2 | 1.250 | 31.8 |
| 74 | 14 | 1 | 2.000 | 50.80 | 1.544 | 39.21 | 0.984 | 24.99 | 0.688 | 17.47 | 3.64 | 92.45 | 0.125 | 3.2 | 0.312 | 7.9 |
| 75 | 16 | 1 | 2.110 | 53.59 | 1.544 | 39.21 | 1.112 | 28.24 | 0.781 | 19.83 | 3.81 | 96.77 | 0.125 | 3.2 | 0.312 | 7.9 |

Continued from page 15

Note: All dimensions are in inches and millimeters (inch/mm). For complete dimensions, see the applicable Military Specification. Cable entry is defined as the envelope area of the cable or wire bundle. It is not intended for inspection criteria.

AS85049/7 Series Environmental backshell - Aluminum 45°

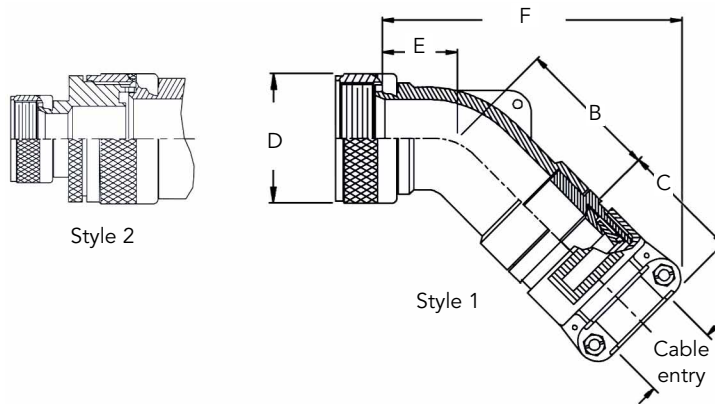
For connectors:

- AS50151 crimp
- EN2997 & EN3646
- MIL-DTL-26482 Series 2
- MIL-DTL-83723 Series 3

Ordering information

| | | | |
|---|------------------|-----------|----------|
| Basic Series | AS85049/7 | 24 | W |
| Dash number 3 to 75 | | | |
| Material and plating | | | |
| B: Stainless steel, black cadmium | | | |
| N: Aluminum, electroless nickel | | | |
| S: Stainless steel, passivated | | | |
| W: Aluminum, olive drab cadmium over electroless nickel, 1000 hours salt spray | | | |

Dimensions



| Dash number | Shell size | Style | B $\pm 0.062"/1.57$ | | C reference | | Ø D maxi | | E $\pm 0.125"/3.17$ | | F maxi | | Cable entry mini | | Cable entry maxi | |
|-------------|------------|-------|---------------------|-------|-------------|------|----------|-------|---------------------|-------|--------|--------|------------------|------|------------------|------|
| | | | inch | mm | inch | mm | inch | mm | inch | mm | inch | mm | inch | mm | inch | mm |
| 3 | 8 | 1 | 1.182 | 30.02 | 1.027 | 26.1 | 0.617 | 15.67 | 0.500 | 12.70 | 2.88 | 73.15 | 0.125 | 3.2 | 0.250 | 6.4 |
| 4 | 10 | 1 | 1.850 | 46.99 | 1.027 | 26.1 | 0.734 | 18.64 | 0.561 | 14.24 | 3.41 | 86.61 | 0.125 | 3.2 | 0.312 | 7.9 |
| 5 | 10 | 1 | 1.245 | 31.62 | 1.027 | 26.1 | 0.734 | 18.64 | 0.561 | 14.24 | 3.05 | 77.46 | 0.250 | 6.4 | 0.375 | 9.5 |
| 6 | 12 | 1 | 1.910 | 48.51 | 1.027 | 26.1 | 0.858 | 21.79 | 0.625 | 15.87 | 3.52 | 89.40 | 0.125 | 3.2 | 0.312 | 7.9 |
| 7 | 12 | 1 | 1.910 | 48.51 | 1.027 | 26.1 | 0.858 | 21.79 | 0.625 | 15.87 | 3.58 | 90.93 | 0.250 | 6.4 | 0.437 | 11.1 |
| 8 | 12 | 1 | 1.910 | 48.51 | 1.027 | 26.1 | 0.858 | 21.79 | 0.625 | 15.87 | 3.86 | 98.04 | 0.350 | 8.9 | 0.500 | 12.7 |
| 9 | 14 | 1 | 2.000 | 50.80 | 1.027 | 26.1 | 0.984 | 24.99 | 0.688 | 17.47 | 3.71 | 94.23 | 0.250 | 6.4 | 0.437 | 11.1 |
| 10 | 14 | 1 | 1.655 | 42.03 | 1.027 | 26.1 | 0.984 | 24.99 | 0.688 | 17.47 | 3.74 | 94.99 | 0.350 | 8.9 | 0.575 | 14.6 |
| 11 | 16 | 1 | 2.110 | 53.59 | 1.027 | 26.1 | 1.112 | 28.24 | 0.781 | 19.83 | 3.88 | 98.55 | 0.250 | 6.4 | 0.437 | 11.1 |
| 12 | 16 | 1 | 1.750 | 44.44 | 1.059 | 26.9 | 1.112 | 28.24 | 0.781 | 19.83 | 4.03 | 102.36 | 0.500 | 12.7 | 0.700 | 17.8 |
| 13 | 18 | 1 | 2.300 | 58.41 | 1.027 | 26.1 | 1.218 | 30.93 | 0.968 | 24.58 | 4.48 | 113.79 | 0.350 | 8.9 | 0.625 | 15.9 |

Continued on pages 18 and 19

Note: All dimensions are in inches and millimeters (inch/mm). For complete dimensions, see the applicable Military Specification. Cable entry is defined as the envelope area of the cable or wire bundle. It is not intended for inspection criteria.

AS85049/7 Series (continued)
Environmental backshell - Aluminum 45°

Dimensions

| Dash number | Shell size | Style | B $\pm 0.062"/1.57$ | | C reference | | Ø D maxi | | E $\pm 0.125"/3.17$ | | F maxi | | Cable entry mini | | Cable entry maxi | |
|-------------|------------|-------|---------------------|-------|-------------|-------|----------|-------|---------------------|-------|--------|--------|------------------|------|------------------|------|
| | | | inch | mm | inch | mm | inch | mm | inch | mm | inch | mm | inch | mm | inch | mm |
| 14 | 18 | 1 | 1.938 | 49.22 | 1.156 | 29.4 | 1.218 | 30.93 | 0.968 | 24.58 | 4.49 | 114.04 | 0.625 | 15.9 | 0.779 | 19.8 |
| 15 | 20 | 1 | 2.300 | 58.41 | 1.027 | 26.1 | 1.345 | 34.16 | 0.968 | 24.58 | 4.48 | 113.79 | 0.350 | 8.9 | 0.625 | 15.9 |
| 16 | 20 | 1 | 1.938 | 49.22 | 1.156 | 29.4 | 1.345 | 34.16 | 0.968 | 24.58 | 4.49 | 114.04 | 0.625 | 15.9 | 0.904 | 23.0 |
| 17 | 22 | 1 | 2.450 | 62.23 | 1.059 | 26.9 | 1.468 | 37.28 | 1.063 | 27.00 | 4.81 | 122.17 | 0.500 | 12.7 | 0.750 | 19.1 |
| 18 | 22 | 1 | 2.093 | 53.16 | 1.375 | 34.9 | 1.468 | 37.28 | 1.063 | 27.00 | 4.98 | 126.49 | 0.875 | 22.2 | 1.029 | 26.1 |
| 19 | 24 | 1 | 2.450 | 62.23 | 1.059 | 26.9 | 1.593 | 40.46 | 1.063 | 27.00 | 4.81 | 122.17 | 0.500 | 12.7 | 0.750 | 19.1 |
| 20 | 24 | 1 | 2.093 | 53.16 | 1.375 | 34.9 | 1.593 | 40.46 | 1.063 | 27.00 | 4.98 | 126.49 | 0.875 | 22.2 | 1.144 | 29.1 |
| 21 | 28 | 1 | 2.500 | 63.50 | 1.156 | 33.7 | 1.969 | 50.01 | 1.188 | 30.17 | 5.11 | 129.79 | 0.625 | 15.9 | 0.937 | 23.8 |
| 22 | 28 | 1 | 2.156 | 54.76 | 1.500 | 38.1 | 1.969 | 50.01 | 1.188 | 30.17 | 5.09 | 129.28 | 1.000 | 25.4 | 1.375 | 34.9 |
| 23 | 32 | 1 | 2.600 | 66.03 | 1.156 | 29.4 | 2.219 | 56.36 | 1.250 | 31.75 | 5.24 | 133.85 | 0.625 | 15.9 | 0.937 | 23.8 |
| 24 | 32 | 1 | 2.600 | 66.03 | 1.375 | 34.9 | 2.219 | 56.36 | 1.250 | 31.75 | 5.52 | 140.20 | 0.875 | 22.2 | 1.250 | 31.8 |
| 25 | 32 | 1 | 2.250 | 57.15 | 1.781 | 45.2 | 2.219 | 56.36 | 1.250 | 31.75 | 5.73 | 145.54 | 1.250 | 31.8 | 1.625 | 41.3 |
| 26 | 36 | 1 | 2.690 | 68.32 | 1.156 | 29.4 | 2.469 | 62.71 | 1.281 | 32.53 | 5.33 | 135.38 | 0.625 | 15.9 | 0.937 | 23.8 |
| 27 | 36 | 1 | 2.690 | 68.32 | 1.500 | 38.1 | 2.469 | 62.71 | 1.281 | 32.53 | 5.56 | 141.22 | 1.000 | 25.4 | 1.375 | 34.9 |
| 28 | 36 | 1 | 2.344 | 59.53 | 1.830 | 46.5 | 2.489 | 63.22 | 1.281 | 32.53 | 5.95 | 151.13 | 1.437 | 36.5 | 1.840 | 46.7 |
| 29 | 40 | 1 | 2.690 | 68.32 | 1.156 | 29.4 | 2.719 | 69.06 | 2.031 | 51.58 | 6.08 | 154.43 | 0.625 | 15.9 | 0.937 | 23.8 |
| 30 | 40 | 1 | 2.690 | 68.32 | 1.500 | 38.1 | 2.719 | 69.06 | 2.031 | 51.58 | 6.31 | 160.27 | 1.000 | 25.4 | 1.375 | 34.9 |
| 31 | 40 | 1 | 2.344 | 59.53 | 1.830 | 46.5 | 2.719 | 69.06 | 2.031 | 51.58 | 6.70 | 170.18 | 1.437 | 36.5 | 1.875 | 47.6 |
| 32 | 44 | 1 | 2.690 | 68.32 | 1.156 | 29.4 | 2.969 | 75.41 | 2.031 | 51.58 | 6.08 | 154.43 | 0.625 | 15.9 | 0.937 | 23.8 |
| 33 | 44 | 1 | 2.690 | 68.32 | 1.500 | 38.1 | 2.969 | 75.41 | 2.031 | 51.58 | 6.31 | 160.27 | 1.000 | 25.4 | 1.375 | 34.9 |
| 34 | 44 | 1 | 2.344 | 59.53 | 1.830 | 46.5 | 2.969 | 75.41 | 2.031 | 51.58 | 6.70 | 170.18 | 1.437 | 36.5 | 1.875 | 47.6 |
| 35 | 48 | 1 | 2.690 | 68.32 | 1.156 | 29.4 | 3.219 | 81.76 | 2.031 | 51.58 | 6.08 | 154.43 | 0.625 | 15.9 | 0.937 | 23.8 |
| 36 | 48 | 1 | 2.690 | 68.32 | 1.500 | 38.1 | 3.219 | 81.76 | 2.031 | 51.58 | 6.31 | 160.27 | 1.000 | 25.4 | 1.375 | 34.9 |
| 37 | 48 | 1 | 2.344 | 59.53 | 1.830 | 46.5 | 3.219 | 81.76 | 2.031 | 51.58 | 6.70 | 170.18 | 1.437 | 36.5 | 1.875 | 47.6 |
| 40 | 16 | 1 | 2.110 | 53.59 | 1.027 | 26.1 | 1.112 | 28.24 | 0.781 | 19.83 | 4.16 | 105.66 | 0.350 | 8.9 | 0.625 | 15.9 |
| 41 | 18 | 1 | 2.300 | 58.41 | 1.027 | 26.1 | 1.218 | 30.93 | 0.968 | 24.58 | 4.13 | 104.90 | 0.125 | 3.2 | 0.312 | 7.9 |
| 42 | 18 | 1 | 2.300 | 58.41 | 1.027 | 26.1 | 1.218 | 30.93 | 0.968 | 24.58 | 4.20 | 106.67 | 0.250 | 6.4 | 0.437 | 11.1 |
| 43 | 20 | 1 | 2.300 | 58.41 | 1.027? | 26.1? | 1.345 | 34.16 | 0.968 | 24.58 | 4.20 | 106.67 | 0.250 | 6.4 | 0.437 | 11.1 |
| 44 | 22 | 1 | 2.450 | 62.23 | 1.027 | 26.1 | 1.488 | 37.79 | 1.063 | 27.00 | 4.34 | 110.23 | 0.125 | 3.2 | 0.312 | 7.9 |
| 45 | 22 | 1 | 2.450 | 62.23 | 1.027 | 26.1 | 1.468 | 37.28 | 1.063 | 27.00 | 4.40 | 111.76 | 0.250 | 6.4 | 0.437 | 11.1 |
| 46 | 24 | 1 | 2.450 | 62.23 | 1.027 | 26.1 | 1.593 | 40.46 | 1.063 | 27.00 | 4.68 | 118.87 | 0.350 | 8.9 | 0.625 | 15.9 |
| 47 | 36 | 1 | 2.690 | 68.32 | 1.059 | 26.9 | 2.469 | 62.71 | 1.281 | 32.53 | 5.20 | 132.07 | 0.500 | 12.7 | 0.750 | 19.1 |
| 48 | 40 | 1 | 2.690 | 68.32 | 1.059 | 26.9 | 2.719 | 69.06 | 2.031 | 51.58 | 5.95 | 151.13 | 0.500 | 12.7 | 0.750 | 19.1 |
| 49 | 10 | 2 | 1.910 | 48.51 | 1.027 | 26.1 | 0.734 | 18.64 | 1.375 | 34.92 | 4.33 | 109.98 | 0.250 | 6.4 | 0.437 | 11.1 |
| 50 | 14 | 2 | 2.300 | 58.41 | 1.059 | 26.9 | 0.984 | 24.99 | 1.717 | 43.61 | 5.36 | 136.17 | 0.500 | 12.7 | 0.750 | 19.1 |
| 51 | 16 | 2 | 2.450 | 62.23 | 1.156 | 29.4 | 1.112 | 28.24 | 1.812 | 46.02 | 5.70 | 144.78 | 0.625 | 15.9 | 0.937 | 23.8 |

Continued from page 17 and continued on page 19

Note: All dimensions are in inches and millimeters (inch/mm). For complete dimensions, see the applicable Military Specification. Cable entry is defined as the envelope area of the cable or wire bundle. It is not intended for inspection criteria.

AS85049/7 Series (continued)
Environmental backshell - Aluminum 45°

Dimensions

| Dash number | Shell size | Style | B $\pm 0.062"/1.57$ | | C reference | | Ø D maxi | | E $\pm 0.125"/3.17$ | | F maxi | | Cable entry mini | | Cable entry maxi | |
|-------------|------------|-------|---------------------|-------|-------------|------|----------|-------|---------------------|-------|--------|--------|------------------|------|------------------|------|
| | | | inch | mm | inch | mm | inch | mm | inch | mm | inch | mm | inch | mm | inch | mm |
| 52 | 18 | 1 | 2.300 | 58.41 | 1.059 | 26.9 | 1.218 | 30.93 | 0.968 | 24.58 | 4.61 | 117.09 | 0.500 | 12.7 | 0.750 | 19.1 |
| 54 | 20 | 1 | 2.300 | 58.41 | 1.059 | 26.9 | 1.345 | 34.16 | 0.968 | 24.58 | 4.61 | 117.09 | 0.500 | 12.7 | 0.750 | 19.1 |
| 55 | 20 | 2 | 2.500 | 63.50 | 1.375 | 34.9 | 1.345 | 34.16 | 1.936 | 49.17 | 6.14 | 155.95 | 0.875 | 22.2 | 1.250 | 31.8 |
| 56 | 22 | 1 | 2.450 | 62.23 | 1.027 | 26.1 | 1.468 | 37.28 | 1.063 | 27.00 | 4.68 | 118.87 | 0.350 | 8.9 | 0.625 | 15.9 |
| 57 | 22 | 1 | 2.450 | 62.23 | 1.156 | 29.4 | 1.468 | 37.28 | 1.063 | 27.00 | 4.95 | 125.73 | 0.625 | 15.9 | 0.937 | 23.8 |
| 58 | 22 | 2 | 2.500 | 63.50 | 1.375 | 34.9 | 1.468 | 37.28 | 1.936 | 49.17 | 6.14 | 155.95 | 0.875 | 22.2 | 1.250 | 31.8 |
| 59 | 24 | 1 | 2.450 | 62.23 | 1.156 | 29.4 | 1.593 | 40.46 | 1.063 | 27.00 | 4.95 | 125.73 | 0.625 | 15.9 | 0.937 | 23.8 |
| 60 | 28 | 1 | 2.500 | 63.50 | 1.059 | 26.9 | 1.969 | 50.01 | 1.188 | 30.17 | 4.97 | 126.23 | 0.500 | 12.7 | 0.750 | 19.1 |
| 61 | 28 | 1 | 2.500 | 63.50 | 1.375 | 34.9 | 1.969 | 50.01 | 1.188 | 30.17 | 5.39 | 136.90 | 0.875 | 22.2 | 1.250 | 31.8 |
| 62 | 32 | 1 | 2.600 | 66.03 | 1.500 | 38.1 | 2.219 | 56.36 | 1.250 | 31.75 | 5.47 | 138.93 | 1.000 | 25.4 | 1.375 | 34.9 |
| 63 | 36 | 1 | 2.690 | 68.32 | 1.375 | 34.9 | 2.469 | 62.71 | 1.281 | 32.53 | 5.62 | 142.74 | 0.875 | 22.2 | 1.250 | 31.8 |
| 64 | 36 | 1 | 2.690 | 68.32 | 1.781 | 45.2 | 2.469 | 62.71 | 1.281 | 32.53 | 6.08 | 154.43 | 1.250 | 31.8 | 1.625 | 41.3 |
| 65 | 40 | 1 | 2.690 | 68.32 | 1.375 | 34.9 | 2.719 | 69.06 | 2.031 | 51.58 | 6.37 | 161.79 | 0.875 | 22.2 | 1.250 | 31.8 |
| 66 | 40 | 1 | 2.690 | 68.32 | 1.781 | 45.2 | 2.719 | 69.06 | 2.031 | 51.58 | 6.83 | 173.48 | 1.250 | 31.8 | 1.625 | 41.3 |
| 67 | 44 | 1 | 2.690 | 68.32 | 1.375 | 34.9 | 2.969 | 75.41 | 2.031 | 51.58 | 6.37 | 161.79 | 0.875 | 22.2 | 1.250 | 31.8 |
| 68 | 44 | 1 | 2.690 | 68.32 | 1.781 | 45.2 | 2.969 | 75.41 | 2.031 | 51.58 | 6.83 | 173.48 | 1.250 | 31.8 | 1.625 | 41.3 |
| 69 | 48 | 1 | 2.690 | 68.32 | 1.375 | 34.9 | 3.219 | 81.76 | 2.031 | 51.58 | 6.37 | 161.79 | 0.875 | 22.2 | 1.250 | 31.8 |
| 70 | 48 | 1 | 2.690 | 68.32 | 1.781 | 45.2 | 3.219 | 81.76 | 2.031 | 51.58 | 6.83 | 173.48 | 1.250 | 31.8 | 1.625 | 41.3 |
| 71 | 12 | 2 | 2.110 | 53.59 | 1.027 | 26.1 | 0.858 | 21.79 | 1.529 | 38.83 | 4.90 | 124.46 | 0.350 | 8.9 | 0.625 | 15.9 |
| 72 | 18 | 2 | 2.450 | 62.23 | 1.156 | 29.4 | 1.218 | 30.93 | 1.812 | 46.02 | 5.69 | 144.52 | 0.625 | 15.9 | 0.937 | 23.8 |
| 73 | 24 | 2 | 2.500 | 63.50 | 1.375 | 34.9 | 1.593 | 40.46 | 1.936 | 49.17 | 6.13 | 155.70 | 0.875 | 22.2 | 1.250 | 31.8 |
| 74 | 14 | 1 | 2.000 | 50.80 | 1.027 | 26.1 | 0.984 | 24.99 | 0.688 | 17.47 | 3.64 | 92.45 | 0.125 | 3.2 | 0.312 | 7.9 |
| 75 | 16 | 1 | 2.110 | 53.59 | 1.027 | 26.1 | 1.112 | 28.24 | 0.781 | 19.83 | 3.81 | 96.77 | 0.125 | 3.2 | 0.312 | 7.9 |

Continued from page 18

Note: All dimensions are in inches and millimeters (inch/mm). For complete dimensions, see the applicable Military Specification. Cable entry is defined as the envelope area of the cable or wire bundle. It is not intended for inspection criteria.

AS85049/8 Series EMI/RFI environmental backshell - Aluminum 90°

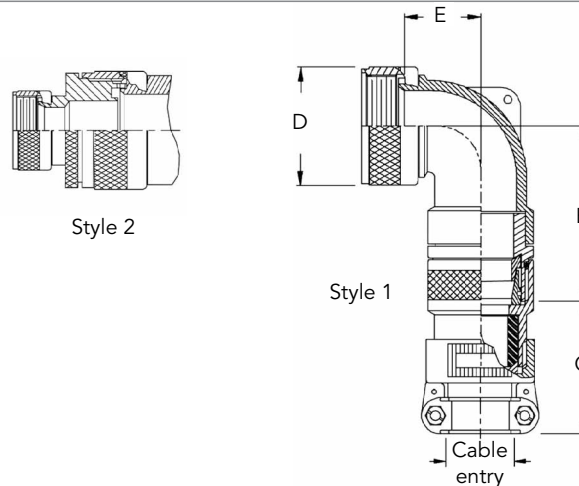
For connectors:

- AS50151 crimp
- EN2997 & EN3646
- MIL-DTL-26482 Series 2
- MIL-DTL-83723 Series 3

Ordering information

| | | | |
|--|------------------|-----------|----------|
| Basic Series | AS85049/8 | 24 | W |
| Dash number 3 to 75 | | | |
| Material and plating | | | |
| W: Aluminum, olive drab cadmium over electroless nickel, 1000 hours salt spray | | | |
| N: Aluminum, electroless nickel | | | |
| S: Stainless steel, passivated | | | |
| B: Stainless steel, black cadmium | | | |

Dimensions



| Dash number | Shell size | Style | B $\pm 0.062/1.57$ | | C reference | | \varnothing D maxi | | E $\pm 0.125/3.17$ | | F maxi | | Cable entry mini | | Cable entry maxi | |
|-------------|------------|-------|--------------------|-------|-------------|-------|----------------------|-------|--------------------|-------|--------|-------|------------------|------|------------------|------|
| | | | inch | mm | inch | mm | inch | mm | inch | mm | inch | mm | inch | mm | inch | mm |
| 3 | 8 | 1 | 1.200 | 30.47 | 1.544 | 39.21 | 0.617 | 15.67 | 0.541 | 13.74 | 1.09 | 27.68 | 0.125 | 3.2 | 0.250 | 6.4 |
| 4 | 10 | 1 | 1.920 | 48.76 | 1.544 | 39.21 | 0.734 | 18.64 | 0.636 | 16.15 | 1.18 | 29.97 | 0.125 | 3.2 | 0.312 | 7.9 |
| 5 | 10 | 1 | 1.320 | 33.52 | 1.544 | 39.21 | 0.734 | 18.64 | 0.636 | 16.15 | 1.27 | 32.25 | 0.250 | 6.4 | 0.375 | 9.5 |
| 6 | 12 | 1 | 1.940 | 49.27 | 1.544 | 39.21 | 0.858 | 21.79 | 0.641 | 16.28 | 1.18 | 29.97 | 0.125 | 3.2 | 0.312 | 7.9 |
| 7 | 12 | 1 | 1.940 | 49.27 | 1.544 | 39.21 | 0.858 | 21.79 | 0.641 | 16.28 | 1.28 | 32.51 | 0.250 | 6.4 | 0.437 | 11.1 |
| 8 | 12 | 1 | 1.335 | 33.90 | 1.844 | 46.83 | 0.858 | 21.79 | 0.641 | 16.28 | 1.37 | 34.79 | 0.350 | 8.9 | 0.500 | 12.7 |
| 9 | 14 | 1 | 2.012 | 51.10 | 1.544 | 39.21 | 0.984 | 24.99 | 0.741 | 18.82 | 1.38 | 35.05 | 0.250 | 6.4 | 0.437 | 11.1 |
| 10 | 14 | 1 | 1.655 | 42.03 | 1.844 | 46.83 | 0.984 | 24.99 | 0.741 | 18.82 | 1.47 | 37.33 | 0.350 | 8.9 | 0.575 | 14.6 |
| 11 | 16 | 1 | 2.100 | 53.33 | 1.544 | 39.21 | 1.112 | 28.24 | 0.926 | 23.52 | 1.59 | 40.38 | 0.250 | 6.4 | 0.437 | 11.1 |
| 12 | 16 | 1 | 1.745 | 44.32 | 1.916 | 48.66 | 1.112 | 28.24 | 0.926 | 23.52 | 1.77 | 44.95 | 0.500 | 12.7 | 0.700 | 17.8 |
| 13 | 18 | 1 | 2.270 | 57.65 | 1.844 | 46.83 | 1.218 | 30.93 | 1.016 | 25.80 | 1.80 | 45.72 | 0.350 | 8.9 | 0.625 | 15.9 |

Continued on pages 21 and 22

Note: All dimensions are in inches and millimeters (inch/mm). For complete dimensions, see the applicable Military Specification. Cable entry is defined as the envelope area of the cable or wire bundle. It is not intended for inspection criteria.

AS85049/8 Series (continued)
EMI/RFI environmental backshell - Aluminum 90°

Dimensions

| Dash number | Shell size | Style | B $\pm 0.062"/1.57$ | | C reference | | Ø D maxi | | E $\pm 0.125"/3.17$ | | F maxi | | Cable entry mini | | Cable entry maxi | |
|-------------|------------|-------|---------------------|-------|-------------|-------|----------|-------|---------------------|-------|--------|--------|------------------|------|------------------|------|
| | | | inch | mm | inch | mm | inch | mm | inch | mm | inch | mm | inch | mm | inch | mm |
| 14 | 18 | 1 | 1.920 | 48.76 | 2.000 | 50.80 | 1.218 | 30.93 | 1.016 | 25.80 | 1.97 | 50.03 | 0.625 | 15.9 | 0.779 | 19.8 |
| 15 | 20 | 1 | 2.270 | 57.65 | 1.844 | 46.83 | 1.345 | 34.16 | 1.016 | 25.80 | 1.80 | 45.72 | 0.350 | 8.9 | 0.625 | 15.9 |
| 16 | 20 | 1 | 1.920 | 48.76 | 2.000 | 50.80 | 1.345 | 34.16 | 1.016 | 25.80 | 1.97 | 50.03 | 0.625 | 15.9 | 0.904 | 23.0 |
| 17 | 22 | 1 | 2.380 | 60.45 | 1.916 | 48.66 | 1.468 | 37.28 | 1.166 | 29.61 | 2.11 | 53.59 | 0.500 | 12.7 | 0.750 | 19.1 |
| 18 | 22 | 1 | 2.025 | 51.43 | 2.230 | 56.64 | 1.468 | 37.28 | 1.166 | 29.61 | 2.29 | 58.16 | 0.875 | 22.2 | 1.029 | 26.1 |
| 19 | 24 | 1 | 2.380 | 60.45 | 1.916 | 48.66 | 1.593 | 40.46 | 1.166 | 29.61 | 2.11 | 53.59 | 0.500 | 12.7 | 0.750 | 19.1 |
| 20 | 24 | 1 | 2.025 | 51.43 | 2.230 | 56.64 | 1.593 | 40.46 | 1.166 | 29.61 | 2.29 | 58.16 | 0.875 | 22.2 | 1.144 | 29.1 |
| 21 | 28 | 1 | 2.550 | 64.77 | 2.000 | 50.80 | 1.969 | 50.01 | 1.266 | 32.15 | 2.33 | 59.18 | 0.625 | 15.9 | 0.937 | 23.8 |
| 22 | 28 | 1 | 2.195 | 55.75 | 2.024 | 51.40 | 1.969 | 50.01 | 1.266 | 32.15 | 2.51 | 63.75 | 1.000 | 25.4 | 1.375 | 34.9 |
| 23 | 32 | 1 | 2.800 | 71.11 | 2.000 | 50.80 | 2.219 | 56.36 | 1.616 | 41.04 | 2.81 | 71.37 | 0.625 | 15.9 | 0.937 | 23.8 |
| 24 | 32 | 1 | 2.800 | 71.11 | 2.230 | 56.64 | 2.219 | 56.36 | 1.616 | 41.04 | 2.81 | 71.37 | 0.875 | 22.2 | 1.250 | 31.8 |
| 25 | 32 | 1 | 2.445 | 62.10 | 2.550 | 64.77 | 2.219 | 56.36 | 1.616 | 41.04 | 3.07 | 77.97 | 1.250 | 31.8 | 1.625 | 41.3 |
| 26 | 36 | 1 | 2.770 | 70.35 | 2.000 | 50.80 | 2.469 | 62.71 | 1.816 | 46.12 | 3.13 | 79.50 | 0.625 | 15.9 | 0.937 | 23.8 |
| 27 | 36 | 1 | 2.770 | 70.35 | 2.024 | 51.40 | 2.469 | 62.71 | 1.816 | 46.12 | 3.13 | 79.50 | 1.000 | 25.4 | 1.375 | 34.9 |
| 28 | 36 | 1 | 2.415 | 61.34 | 2.600 | 66.03 | 2.489 | 63.22 | 1.816 | 46.12 | 3.39 | 86.10 | 1.437 | 36.5 | 1.840 | 46.7 |
| 29 | 40 | 1 | 2.770 | 70.35 | 2.000 | 50.80 | 2.719 | 69.06 | 2.566 | 65.17 | 3.88 | 98.55 | 0.625 | 15.9 | 0.937 | 23.8 |
| 30 | 40 | 1 | 2.770 | 70.35 | 2.024 | 51.40 | 2.719 | 69.06 | 2.566 | 65.17 | 3.88 | 98.55 | 1.000 | 25.4 | 1.375 | 34.9 |
| 31 | 40 | 1 | 2.415 | 61.34 | 2.600 | 66.03 | 2.719 | 69.06 | 2.566 | 65.17 | 4.14 | 105.15 | 1.437 | 36.5 | 1.875 | 47.6 |
| 32 | 44 | 1 | 2.770 | 70.35 | 2.000 | 50.80 | 2.969 | 75.41 | 2.566 | 65.17 | 3.88 | 98.55 | 0.625 | 15.9 | 0.937 | 23.8 |
| 33 | 44 | 1 | 2.770 | 70.35 | 2.024 | 51.40 | 2.969 | 75.41 | 2.566 | 65.17 | 3.88 | 98.55 | 1.000 | 25.4 | 1.375 | 34.9 |
| 34 | 44 | 1 | 2.415 | 61.34 | 2.600 | 66.03 | 2.969 | 75.41 | 2.566 | 65.17 | 4.14 | 105.15 | 1.437 | 36.5 | 1.875 | 47.6 |
| 35 | 48 | 1 | 2.770 | 70.35 | 2.000 | 50.80 | 3.219 | 81.76 | 2.566 | 65.17 | 3.88 | 98.55 | 0.625 | 15.9 | 0.937 | 23.8 |
| 36 | 48 | 1 | 2.770 | 70.35 | 2.024 | 51.40 | 3.219 | 81.76 | 2.566 | 65.17 | 3.88 | 98.55 | 1.000 | 25.4 | 1.375 | 34.9 |
| 37 | 48 | 1 | 2.415 | 61.34 | 2.600 | 66.03 | 3.219 | 81.76 | 2.566 | 65.17 | 4.14 | 105.15 | 1.437 | 36.5 | 1.875 | 47.6 |
| 40 | 16 | 1 | 2.100 | 53.33 | 1.844 | 46.83 | 1.112 | 28.24 | 0.926 | 23.52 | 1.66 | 42.16 | 0.350 | 8.9 | 0.625 | 15.9 |
| 41 | 18 | 1 | 2.270 | 57.65 | 1.544 | 39.21 | 1.218 | 30.93 | 1.016 | 25.80 | 1.80 | 45.72 | 0.125 | 3.2 | 0.312 | 7.9 |
| 42 | 18 | 1 | 2.270 | 57.65 | 1.544 | 39.21 | 1.218 | 30.93 | 1.016 | 25.80 | 1.80 | 45.72 | 0.250 | 6.4 | 0.437 | 11.1 |
| 43 | 20 | 1 | 2.270 | 57.65 | 1.544 | 39.21 | 1.345 | 34.16 | 1.016 | 25.80 | 1.80 | 45.72 | 0.250 | 6.4 | 0.437 | 11.1 |
| 44 | 22 | 1 | 2.380 | 60.45 | 1.544 | 39.21 | 1.488 | 37.79 | 1.166 | 29.61 | 2.11 | 53.59 | 0.125 | 3.2 | 0.312 | 7.9 |
| 45 | 22 | 1 | 2.380 | 60.45 | 1.544 | 39.21 | 1.468 | 37.28 | 1.166 | 29.61 | 2.11 | 53.59 | 0.250 | 6.4 | 0.437 | 11.1 |
| 46 | 24 | 1 | 2.380 | 60.45 | 1.844 | 46.83 | 1.593 | 40.46 | 1.166 | 29.61 | 2.11 | 53.59 | 0.350 | 8.9 | 0.625 | 15.9 |
| 47 | 36 | 1 | 2.770 | 57.65 | 1.916 | 48.66 | 2.469 | 62.71 | 1.816 | 46.12 | 3.13 | 79.50 | 0.500 | 12.7 | 0.750 | 19.1 |
| 48 | 40 | 1 | 2.770 | 70.35 | 1.916 | 48.66 | 2.719 | 69.06 | 1.816 | 46.12 | 3.88 | 98.55 | 0.500 | 12.7 | 0.750 | 19.1 |
| 49 | 10 | 2 | 1.940 | 49.27 | 1.544 | 39.21 | 0.734 | 18.64 | 1.391 | 35.33 | 2.03 | 51.56 | 0.250 | 6.4 | 0.437 | 11.1 |
| 50 | 14 | 2 | 2.270 | 57.65 | 1.916 | 48.66 | 0.984 | 24.99 | 1.766 | 44.85 | 2.61 | 66.29 | 0.500 | 12.7 | 0.750 | 19.1 |
| 51 | 16 | 2 | 2.380 | 60.45 | 2.000 | 50.80 | 1.112 | 28.24 | 1.916 | 48.66 | 2.87 | 72.89 | 0.625 | 15.9 | 0.937 | 23.8 |

Continued from page 20 and continued on page 22

Note: All dimensions are in inches and millimeters (inch/mm). For complete dimensions, see the applicable Military Specification. Cable entry is defined as the envelope area of the cable or wire bundle. It is not intended for inspection criteria.

AS85049/8 Series (continued)
EMI/RFI environmental backshell - Aluminum 90°

Dimensions

| Dash number | Shell size | Style | B $\pm 0.062"/1.57$ | | C reference | | Ø D maxi | | E $\pm 0.125"/3.17$ | | F maxi | | Cable entry mini | | Cable entry maxi | |
|-------------|------------|-------|---------------------|-------|-------------|-------|----------|-------|---------------------|-------|--------|--------|------------------|------|------------------|------|
| | | | inch | mm | inch | mm | inch | mm | inch | mm | inch | mm | inch | mm | inch | mm |
| 52 | 18 | 1 | 2.270 | 57.65 | 1.916 | 48.66 | 1.218 | 30.93 | 1.016 | 25.80 | 1.86 | 47.24 | 0.500 | 12.7 | 0.750 | 19.1 |
| 54 | 20 | 1 | 2.270 | 57.65 | 1.916 | 48.66 | 1.345 | 34.16 | 1.016 | 25.80 | 1.86 | 47.24 | 0.500 | 12.7 | 0.750 | 19.1 |
| 55 | 20 | 2 | 2.550 | 64.77 | 2.230 | 56.64 | 1.345 | 34.16 | 2.016 | 51.20 | 3.14 | 79.75 | 0.875 | 22.2 | 1.250 | 31.8 |
| 56 | 22 | 1 | 2.380 | 60.45 | 1.844 | 46.83 | 1.468 | 37.28 | 1.166 | 29.61 | 2.11 | 53.59 | 0.350 | 8.9 | 0.625 | 15.9 |
| 57 | 22 | 1 | 2.380 | 60.45 | 2.000 | 50.80 | 1.468 | 37.28 | 1.166 | 29.61 | 2.12 | 53.84 | 0.625 | 15.9 | 0.937 | 23.8 |
| 58 | 22 | 2 | 2.550 | 64.77 | 2.230 | 56.64 | 1.468 | 37.28 | 2.016 | 51.20 | 3.14 | 79.75 | 0.875 | 22.2 | 1.250 | 31.8 |
| 59 | 24 | 1 | 2.380 | 60.45 | 2.000 | 50.80 | 1.593 | 40.46 | 1.166 | 29.61 | 2.14 | 54.35 | 0.625 | 15.9 | 0.937 | 23.8 |
| 60 | 28 | 1 | 2.550 | 64.77 | 1.916 | 48.66 | 1.969 | 50.01 | 1.266 | 30.88 | 2.33 | 59.18 | 0.500 | 12.7 | 0.750 | 19.1 |
| 61 | 28 | 1 | 2.550 | 64.77 | 2.230 | 56.64 | 1.969 | 50.01 | 1.266 | 30.88 | 2.39 | 60.70 | 0.875 | 22.2 | 1.250 | 31.8 |
| 62 | 32 | 1 | 2.800 | 71.11 | 2.024 | 51.40 | 2.219 | 56.36 | 1.616 | 41.04 | 2.86 | 72.64 | 1.000 | 25.4 | 1.375 | 34.9 |
| 63 | 36 | 1 | 2.770 | 70.35 | 2.230 | 56.64 | 2.469 | 62.71 | 1.816 | 46.12 | 3.13 | 79.50 | 0.875 | 22.2 | 1.250 | 31.8 |
| 64 | 36 | 1 | 2.770 | 70.35 | 2.550 | 64.77 | 2.469 | 62.71 | 1.816 | 46.12 | 3.27 | 83.05 | 1.250 | 31.8 | 1.625 | 41.3 |
| 65 | 40 | 1 | 2.770 | 70.35 | 2.230 | 56.64 | 2.719 | 69.06 | 2.566 | 65.17 | 3.88 | 98.55 | 0.875 | 22.2 | 1.250 | 31.8 |
| 66 | 40 | 1 | 2.770 | 70.35 | 2.550 | 64.77 | 2.719 | 69.06 | 2.566 | 65.17 | 4.02 | 102.10 | 1.250 | 31.8 | 1.625 | 41.3 |
| 67 | 44 | 1 | 2.770 | 70.35 | 2.230 | 56.64 | 2.969 | 75.41 | 2.566 | 65.17 | 3.88 | 98.55 | 0.875 | 22.2 | 1.250 | 31.8 |
| 68 | 44 | 1 | 2.770 | 70.35 | 2.550 | 64.77 | 2.969 | 75.41 | 2.566 | 65.17 | 4.02 | 102.10 | 1.250 | 31.8 | 1.625 | 41.3 |
| 69 | 48 | 1 | 2.770 | 70.35 | 2.230 | 56.64 | 3.219 | 81.76 | 2.566 | 65.17 | 3.88 | 98.55 | 0.875 | 22.2 | 1.250 | 31.8 |
| 70 | 48 | 1 | 2.770 | 70.35 | 2.550 | 64.77 | 3.219 | 81.76 | 2.566 | 65.17 | 4.02 | 102.10 | 1.250 | 31.8 | 1.625 | 41.3 |
| 71 | 12 | 2 | 2.100 | 53.33 | 1.844 | 46.83 | 0.858 | 21.79 | 1.686 | 42.82 | 2.42 | 61.46 | 0.350 | 8.9 | 0.625 | 15.9 |
| 72 | 18 | 2 | 2.380 | 60.45 | 2.000 | 50.80 | 1.218 | 30.93 | 1.926 | 48.92 | 2.88 | 73.015 | 0.625 | 15.9 | 0.937 | 23.8 |
| 73 | 24 | 2 | 2.550 | 64.77 | 2.230 | 56.64 | 1.593 | 40.46 | 2.026 | 51.46 | 3.15 | 80.00 | 0.875 | 22.2 | 1.250 | 31.8 |
| 74 | 14 | 1 | 2.010 | 51.05 | 1.544 | 39.21 | 0.984 | 24.99 | 0.741 | 18.82 | 1.31 | 33.27 | 0.125 | 3.2 | 0.312 | 7.9 |
| 75 | 16 | 1 | 2.100 | 53.33 | 1.544 | 39.21 | 1.112 | 28.24 | 0.926 | 23.52 | 1.59 | 40.38 | 0.125 | 3.2 | 0.312 | 7.9 |

Continued from page 21

Note: All dimensions are in inches and millimeters (inch/mm). For complete dimensions, see the applicable Military Specification. Cable entry is defined as the envelope area of the cable or wire bundle. It is not intended for inspection criteria.

AS85049/9 Series Environmental backshell - Aluminum 90°

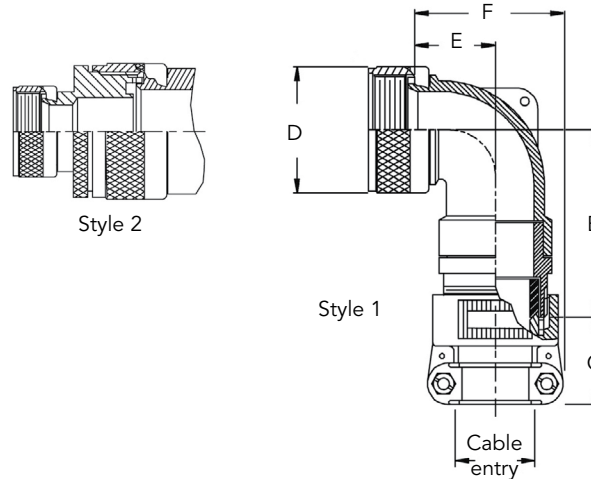
For connectors:

- AS50151 crimp
- EN2997 & EN3646
- MIL-DTL-26482 Series 2
- MIL-DTL-83723 Series 3

Ordering information

| | | | |
|--|------------------|-----------|----------|
| Basic Series | AS85049/9 | 24 | W |
| Dash number 3 to 75 | | | |
| Material and plating | | | |
| W: Aluminum, olive drab cadmium over electroless nickel, 1000 hours salt spray | | | |
| N: Aluminum, electroless nickel | | | |
| S: Stainless steel, passivated | | | |
| B: Stainless steel, black cadmium | | | |

Dimensions



| Dash number | Shell size | Style | B $\pm 0.062/1.57$ | | C reference | | $\varnothing D$ maxi | | E $\pm 0.125/3.17$ | | F maxi | | Cable entry mini | | Cable entry maxi | |
|-------------|------------|-------|--------------------|-------|-------------|------|----------------------|-------|--------------------|-------|--------|-------|------------------|------|------------------|------|
| | | | inch | mm | inch | mm | inch | mm | inch | mm | inch | mm | inch | mm | inch | mm |
| 3 | 8 | 1 | 1.200 | 30.47 | 1.027 | 26.1 | 0.617 | 15.67 | 0.541 | 13.74 | 1.48 | 37.59 | 0.125 | 3.2 | 0.250 | 6.4 |
| 4 | 10 | 1 | 1.920 | 48.76 | 1.027 | 26.1 | 0.734 | 18.64 | 0.636 | 16.15 | 1.57 | 39.87 | 0.125 | 3.2 | 0.312 | 7.9 |
| 5 | 10 | 1 | 1.320 | 33.52 | 1.027 | 26.1 | 0.734 | 18.64 | 0.636 | 16.15 | 1.66 | 42.16 | 0.250 | 6.4 | 0.375 | 9.5 |
| 6 | 12 | 1 | 1.940 | 49.27 | 1.027 | 26.1 | 0.858 | 21.79 | 0.641 | 16.28 | 1.57 | 39.87 | 0.125 | 3.2 | 0.312 | 7.9 |
| 7 | 12 | 1 | 1.940 | 49.27 | 1.027 | 26.1 | 0.858 | 21.79 | 0.641 | 16.28 | 1.67 | 42.41 | 0.250 | 6.4 | 0.437 | 11.1 |
| 8 | 12 | 1 | 1.335 | 33.90 | 1.027 | 26.1 | 0.858 | 21.79 | 0.641 | 16.28 | 1.76 | 44.70 | 0.350 | 8.9 | 0.500 | 12.7 |
| 9 | 14 | 1 | 2.012 | 51.10 | 1.027 | 26.1 | 0.984 | 24.99 | 0.741 | 18.82 | 1.77 | 44.95 | 0.250 | 6.4 | 0.437 | 11.1 |
| 10 | 14 | 1 | 1.655 | 42.03 | 1.027 | 26.1 | 0.984 | 24.99 | 0.741 | 18.82 | 1.86 | 47.24 | 0.350 | 8.9 | 0.575 | 14.6 |
| 11 | 16 | 1 | 2.100 | 53.33 | 1.027 | 26.1 | 1.112 | 28.24 | 0.926 | 23.52 | 1.98 | 50.29 | 0.250 | 6.4 | 0.437 | 11.1 |
| 12 | 16 | 1 | 1.745 | 44.32 | 1.059 | 26.9 | 1.112 | 28.24 | 0.926 | 23.52 | 2.16 | 54.86 | 0.500 | 12.7 | 0.700 | 17.8 |
| 13 | 18 | 1 | 2.270 | 57.65 | 1.027 | 26.1 | 1.218 | 30.93 | 1.016 | 25.80 | 2.19 | 55.62 | 0.350 | 8.9 | 0.625 | 15.9 |

Continued on pages 24 and 25

Note: All dimensions are in inches and millimeters (inch/mm). For complete dimensions, see the applicable Military Specification. Cable entry is defined as the envelope area of the cable or wire bundle. It is not intended for inspection criteria.

AS85049/9 Series (continued)
Environmental backshell - Aluminum 90°

Dimensions

| Dash number | Shell size | Style | B $\pm 0.062"/1.57$ | | C reference | | Ø D maxi | | E $\pm 0.125"/3.17$ | | H maxi | | Cable entry mini | | Cable entry maxi | |
|-------------|------------|-------|---------------------|-------|-------------|------|----------|-------|---------------------|-------|--------|--------|------------------|------|------------------|------|
| | | | inch | mm | inch | mm | inch | mm | inch | mm | inch | mm | inch | mm | inch | mm |
| 14 | 18 | 1 | 1.920 | 48.76 | 1.156 | 29.4 | 1.218 | 30.93 | 1.016 | 25.80 | 2.36 | 59.94 | 0.625 | 15.9 | 0.779 | 19.8 |
| 15 | 20 | 1 | 2.270 | 57.65 | 1.027 | 26.1 | 1.345 | 34.16 | 1.016 | 25.80 | 2.19 | 55.62 | 0.350 | 8.9 | 0.625 | 15.9 |
| 16 | 20 | 1 | 1.920 | 48.76 | 1.156 | 29.4 | 1.345 | 34.16 | 1.016 | 25.80 | 2.36 | 59.94 | 0.625 | 15.9 | 0.904 | 23.0 |
| 17 | 22 | 1 | 2.380 | 60.45 | 1.059 | 26.9 | 1.468 | 37.28 | 1.166 | 29.61 | 2.50 | 63.50 | 0.500 | 12.7 | 0.750 | 19.1 |
| 18 | 22 | 1 | 2.025 | 51.43 | 1.375 | 34.9 | 1.468 | 37.28 | 1.166 | 29.61 | 2.68 | 68.07 | 0.875 | 22.2 | 1.029 | 26.1 |
| 19 | 24 | 1 | 2.380 | 60.45 | 1.059 | 26.9 | 1.593 | 40.46 | 1.166 | 29.61 | 2.50 | 63.50 | 0.500 | 12.7 | 0.750 | 19.1 |
| 20 | 24 | 1 | 2.025 | 51.43 | 1.375 | 34.9 | 1.593 | 40.46 | 1.166 | 29.61 | 2.68 | 68.07 | 0.875 | 22.2 | 1.144 | 29.1 |
| 21 | 28 | 1 | 2.550 | 64.77 | 1.156 | 29.4 | 1.969 | 50.01 | 1.266 | 32.15 | 2.88 | 73.15 | 0.625 | 15.9 | 0.937 | 23.8 |
| 22 | 28 | 1 | 2.195 | 55.75 | 1.500 | 38.1 | 1.969 | 50.01 | 1.266 | 32.15 | 3.06 | 77.72 | 1.000 | 25.4 | 1.375 | 34.9 |
| 23 | 32 | 1 | 2.800 | 71.11 | 1.156 | 29.4 | 2.219 | 56.36 | 1.616 | 41.04 | 3.36 | 85.34 | 0.625 | 15.9 | 0.937 | 23.8 |
| 24 | 32 | 1 | 2.800 | 71.11 | 1.375 | 34.9 | 2.219 | 56.36 | 1.616 | 41.04 | 3.36 | 85.34 | 0.875 | 22.2 | 1.250 | 31.8 |
| 25 | 32 | 1 | 2.445 | 62.10 | 1.781 | 45.2 | 2.219 | 56.36 | 1.616 | 41.04 | 3.62 | 91.94 | 1.250 | 31.8 | 1.625 | 41.3 |
| 26 | 36 | 1 | 2.770 | 70.35 | 1.156 | 29.4 | 2.469 | 62.71 | 1.816 | 46.12 | 3.68 | 93.47 | 0.625 | 15.9 | 0.937 | 23.8 |
| 27 | 36 | 1 | 2.770 | 70.35 | 1.500 | 38.1 | 2.469 | 62.71 | 1.816 | 46.12 | 3.68 | 93.47 | 1.000 | 25.4 | 1.375 | 34.9 |
| 28 | 36 | 1 | 2.415 | 61.34 | 1.830 | 46.5 | 2.489 | 63.22 | 1.816 | 46.12 | 3.94 | 100.07 | 1.437 | 36.5 | 1.840 | 46.7 |
| 29 | 40 | 1 | 2.770 | 70.35 | 1.156 | 29.4 | 2.719 | 69.06 | 2.566 | 65.17 | 4.43 | 112.52 | 0.625 | 15.9 | 0.937 | 23.8 |
| 30 | 40 | 1 | 2.770 | 70.35 | 1.500 | 38.1 | 2.719 | 69.06 | 2.566 | 65.17 | 4.43 | 112.52 | 1.000 | 25.4 | 1.375 | 34.9 |
| 31 | 40 | 1 | 2.415 | 61.34 | 1.830 | 46.5 | 2.719 | 69.06 | 2.566 | 65.17 | 4.69 | 119.12 | 1.437 | 36.5 | 1.875 | 47.6 |
| 32 | 44 | 1 | 2.770 | 70.35 | 1.156 | 29.4 | 2.969 | 75.41 | 2.566 | 65.17 | 4.43 | 112.52 | 0.625 | 15.9 | 0.937 | 23.8 |
| 33 | 44 | 1 | 2.770 | 70.35 | 1.500 | 38.1 | 2.969 | 75.41 | 2.566 | 65.17 | 4.43 | 112.52 | 1.000 | 25.4 | 1.375 | 34.9 |
| 34 | 44 | 1 | 2.415 | 61.34 | 1.830 | 46.5 | 2.969 | 75.41 | 2.566 | 65.17 | 4.69 | 119.12 | 1.437 | 36.5 | 1.875 | 47.6 |
| 35 | 48 | 1 | 2.770 | 70.35 | 1.156 | 29.4 | 3.219 | 81.76 | 2.566 | 65.17 | 4.43 | 112.52 | 0.625 | 15.9 | 0.937 | 23.8 |
| 36 | 48 | 1 | 2.770 | 70.35 | 1.500 | 38.1 | 3.219 | 81.76 | 2.566 | 65.17 | 4.43 | 112.52 | 1.000 | 25.4 | 1.375 | 34.9 |
| 37 | 48 | 1 | 2.415 | 61.34 | 1.830 | 46.5 | 3.219 | 81.76 | 2.566 | 65.17 | 4.69 | 119.12 | 1.437 | 36.5 | 1.875 | 47.6 |
| 40 | 16 | 1 | 2.100 | 53.33 | 1.027 | 26.1 | 1.112 | 28.24 | 0.926 | 23.52 | 2.05 | 52.06 | 0.350 | 8.9 | 0.625 | 15.9 |
| 41 | 18 | 1 | 2.270 | 57.65 | 1.027 | 26.1 | 1.218 | 30.93 | 1.016 | 25.80 | 2.19 | 55.62 | 0.125 | 3.2 | 0.312 | 7.9 |
| 42 | 18 | 1 | 2.270 | 57.65 | 1.027 | 26.1 | 1.218 | 30.93 | 1.016 | 25.80 | 2.19 | 55.62 | 0.250 | 6.4 | 0.437 | 11.1 |
| 43 | 20 | 1 | 2.270 | 57.65 | 1.027 | 26.1 | 1.345 | 34.16 | 1.016 | 25.80 | 2.19 | 55.62 | 0.250 | 6.4 | 0.437 | 11.1 |
| 44 | 22 | 1 | 2.380 | 60.45 | 1.027 | 26.1 | 1.488 | 37.79 | 1.166 | 29.61 | 2.50 | 63.50 | 0.125 | 3.2 | 0.312 | 7.9 |
| 45 | 22 | 1 | 2.380 | 60.45 | 1.027 | 26.1 | 1.468 | 37.28 | 1.166 | 29.61 | 2.50 | 63.50 | 0.250 | 6.4 | 0.437 | 11.1 |
| 46 | 24 | 1 | 2.380 | 60.45 | 1.027 | 26.1 | 1.593 | 40.46 | 1.166 | 29.61 | 2.50 | 63.50 | 0.350 | 8.9 | 0.625 | 15.9 |
| 47 | 36 | 1 | 2.770 | 57.65 | 1.059 | 26.9 | 2.469 | 62.71 | 1.816 | 46.12 | 3.68 | 93.47 | 0.500 | 12.7 | 0.750 | 19.1 |
| 48 | 40 | 1 | 2.770 | 70.35 | 1.059 | 26.9 | 2.719 | 69.06 | 1.816 | 46.12 | 4.43 | 112.52 | 0.500 | 12.7 | 0.750 | 19.1 |
| 49 | 10 | 2 | 1.940 | 49.27 | 1.027 | 26.1 | 0.734 | 18.64 | 1.391 | 35.33 | 2.42 | 61.46 | 0.250 | 6.4 | 0.437 | 11.1 |
| 50 | 14 | 2 | 2.270 | 57.65 | 1.059 | 26.9 | 0.984 | 24.99 | 1.766 | 44.85 | 3.00 | 76.19 | 0.500 | 12.7 | 0.750 | 19.1 |
| 51 | 16 | 2 | 2.380 | 60.45 | 1.156 | 29.4 | 1.112 | 28.24 | 1.916 | 48.66 | 3.26 | 82.80 | 0.625 | 15.9 | 0.937 | 23.8 |

Continued from page 23 and continued on page 25

Note: All dimensions are in inches and millimeters (inch/mm). For complete dimensions, see the applicable Military Specification. Cable entry is defined as the envelope area of the cable or wire bundle. It is not intended for inspection criteria.

AS85049/9 Series (continued)
Environmental backshell - Aluminum 90°

Dimensions

| Dash number | Shell size | Style | B $\pm 0.062"/1.57$ | | C reference | | Ø D maxi | | E $\pm 0.125"/3.17$ | | H maxi | | Cable entry mini | | Cable entry maxi | |
|-------------|------------|-------|---------------------|-------|-------------|------|----------|-------|---------------------|-------|--------|--------|------------------|------|------------------|------|
| | | | inch | mm | inch | mm | inch | mm | inch | mm | inch | mm | inch | mm | inch | mm |
| 52 | 18 | 1 | 2.270 | 57.65 | 1.059 | 26.9 | 1.218 | 30.93 | 1.016 | 25.80 | 2.25 | 57.15 | 0.500 | 12.7 | 0.750 | 19.1 |
| 54 | 20 | 1 | 2.270 | 57.65 | 1.059 | 26.9 | 1.345 | 34.16 | 1.016 | 25.80 | 2.25 | 57.15 | 0.500 | 12.7 | 0.750 | 19.1 |
| 55 | 20 | 2 | 2.550 | 64.77 | 1.375 | 34.9 | 1.345 | 34.16 | 2.016 | 51.20 | 3.53 | 64.26 | 0.875 | 22.2 | 1.250 | 31.8 |
| 56 | 22 | 1 | 2.380 | 60.45 | 1.027 | 26.1 | 1.468 | 37.28 | 1.166 | 29.61 | 2.50 | 63.50 | 0.350 | 8.9 | 0.625 | 15.9 |
| 57 | 22 | 1 | 2.380 | 60.45 | 1.156 | 29.4 | 1.468 | 37.28 | 1.166 | 29.61 | 2.51 | 63.75 | 0.625 | 15.9 | 0.937 | 23.8 |
| 58 | 22 | 2 | 2.550 | 64.77 | 1.375 | 34.9 | 1.468 | 37.28 | 2.016 | 51.20 | 3.53 | 64.26 | 0.875 | 22.2 | 1.250 | 31.8 |
| 59 | 24 | 1 | 2.380 | 60.45 | 1.156 | 29.4 | 1.593 | 40.46 | 1.166 | 29.61 | 2.53 | 64.26 | 0.625 | 15.9 | 0.937 | 23.8 |
| 60 | 28 | 1 | 2.550 | 64.77 | 1.059 | 26.9 | 1.969 | 50.01 | 1.266 | 30.88 | 2.88 | 73.15 | 0.500 | 12.7 | 0.750 | 19.1 |
| 61 | 28 | 1 | 2.550 | 64.77 | 1.375 | 34.9 | 1.969 | 50.01 | 1.266 | 30.88 | 2.94 | 74.67 | 0.875 | 22.2 | 1.250 | 31.8 |
| 62 | 32 | 1 | 2.800 | 71.11 | 1.500 | 38.1 | 2.219 | 56.36 | 1.616 | 41.04 | 3.41 | 86.61 | 1.000 | 25.4 | 1.375 | 34.9 |
| 63 | 36 | 1 | 2.770 | 70.35 | 1.375 | 34.9 | 2.469 | 62.71 | 1.816 | 46.12 | 3.68 | 93.47 | 0.875 | 22.2 | 1.250 | 31.8 |
| 64 | 36 | 1 | 2.770 | 70.35 | 1.781 | 45.2 | 2.469 | 62.71 | 1.816 | 46.12 | 3.82 | 97.02 | 1.250 | 31.8 | 1.625 | 41.3 |
| 65 | 40 | 1 | 2.770 | 70.35 | 1.375 | 34.9 | 2.719 | 69.06 | 2.566 | 65.17 | 4.43 | 112.52 | 0.875 | 22.2 | 1.250 | 31.8 |
| 66 | 40 | 1 | 2.770 | 70.35 | 1.781 | 45.2 | 2.719 | 69.06 | 2.566 | 65.17 | 4.57 | 116.07 | 1.250 | 31.8 | 1.625 | 41.3 |
| 67 | 44 | 1 | 2.770 | 70.35 | 1.375 | 34.9 | 2.969 | 75.41 | 2.566 | 65.17 | 4.43 | 112.52 | 0.875 | 22.2 | 1.250 | 31.8 |
| 68 | 44 | 1 | 2.770 | 70.35 | 1.781 | 45.2 | 2.969 | 75.41 | 2.566 | 65.17 | 4.57 | 116.07 | 1.250 | 31.8 | 1.625 | 41.3 |
| 69 | 48 | 1 | 2.770 | 70.35 | 1.375 | 34.9 | 3.219 | 81.76 | 2.566 | 65.17 | 4.43 | 112.52 | 0.875 | 22.2 | 1.250 | 31.8 |
| 70 | 48 | 1 | 2.770 | 70.35 | 1.781 | 45.2 | 3.219 | 81.76 | 2.566 | 65.17 | 4.57 | 116.07 | 1.250 | 31.8 | 1.625 | 41.3 |
| 71 | 12 | 2 | 2.100 | 53.33 | 1.027 | 26.1 | 0.858 | 21.79 | 1.686 | 42.82 | 2.81 | 71.37 | 0.350 | 8.9 | 0.625 | 15.9 |
| 72 | 18 | 2 | 2.380 | 60.45 | 1.156 | 29.4 | 1.218 | 30.93 | 1.926 | 48.92 | 3.27 | 83.05 | 0.625 | 15.9 | 0.937 | 23.8 |
| 73 | 24 | 2 | 2.550 | 64.77 | 1.375 | 34.9 | 1.593 | 40.46 | 2.026 | 51.46 | 3.54 | 89.91 | 0.875 | 22.2 | 1.250 | 31.8 |
| 74 | 14 | 1 | 2.010 | 51.05 | 1.027 | 26.1 | 0.984 | 24.99 | 0.741 | 18.82 | 1.70 | 43.18 | 0.125 | 3.2 | 0.312 | 7.9 |
| 75 | 16 | 1 | 2.100 | 53.33 | 1.027 | 26.1 | 1.112 | 28.24 | 0.926 | 23.52 | 1.98 | 50.29 | 0.125 | 3.2 | 0.312 | 7.9 |

Continued from page 24

Note: All dimensions are in inches and millimeters (inch/mm). For complete dimensions, see the applicable Military Specification. Cable entry is defined as the envelope area of the cable or wire bundle. It is not intended for inspection criteria.

AS85049/10 Series EMI/RFI environmental backshell - Aluminum straight

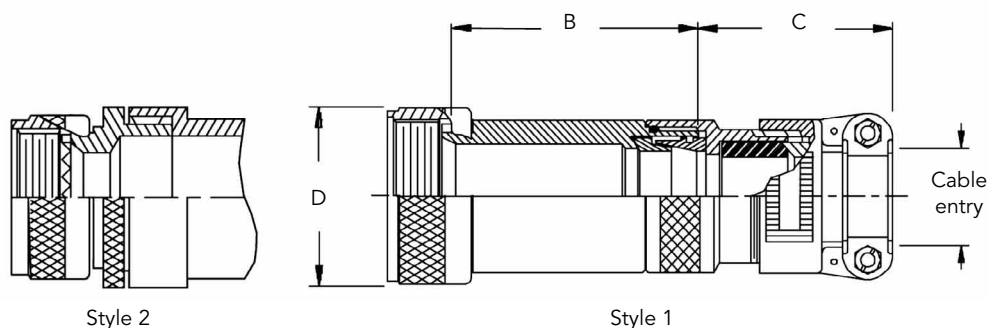
For connectors:

- AS50151 crimp
- EN2997 & EN3646
- MIL-DTL-26482 Series 2
- MIL-DTL-83723 Series 3

Ordering information

| | | | |
|--|------------|----|---|
| Basic Series | AS85049/10 | 24 | W |
| Dash number 5 to 157 | | | |
| Material and plating | | | |
| W: Aluminum, olive drab cadmium over electroless nickel, 1000 hours salt spray | | | |
| N: Aluminum, electroless nickel | | | |
| S: Stainless steel, passivated | | | |
| B: Stainless steel, black cadmium | | | |

Dimensions



| Dash number | Shell size | Style | B $\pm 0.125/3.17$ | | C reference | | \varnothing D maxi | | Cable entry mini | | Cable entry maxi | |
|-------------|------------|-------|--------------------|-------|-------------|-------|----------------------|-------|------------------|------|------------------|------|
| | | | inch | mm | inch | mm | inch | mm | inch | mm | inch | mm |
| 5 | 8 | 1 | 2.00 | 50.80 | 1.544 | 39.21 | 0.617 | 15.67 | 0.250 | 6.4 | 0.375 | 9.5 |
| 6 | 8 | 1 | 3.00 | 76.19 | 1.544 | 39.21 | 0.617 | 15.67 | 0.125 | 3.2 | 0.312 | 7.9 |
| 7 | 8 | 2 | 2.75 | 69.85 | 1.544 | 39.21 | 0.617 | 15.67 | 0.250 | 6.4 | 0.437 | 11.1 |
| 8 | 8 | 2 | 3.75 | 95.25 | 1.544 | 39.21 | 0.617 | 15.67 | 0.350 | 8.9 | 0.500 | 12.7 |
| 9 | 10 | 1 | 2.00 | 50.80 | 1.544 | 39.21 | 0.734 | 18.64 | 0.250 | 6.4 | 0.437 | 11.1 |
| 10 | 10 | 1 | 3.00 | 76.19 | 1.544 | 39.21 | 0.734 | 18.64 | 0.350 | 8.9 | 0.575 | 14.6 |
| 11 | 10 | 2 | 2.75 | 69.85 | 1.544 | 39.21 | 0.734 | 18.64 | 0.250 | 6.4 | 0.437 | 11.1 |
| 12 | 10 | 2 | 3.75 | 95.25 | 1.544 | 39.21 | 0.734 | 18.64 | 0.250 | 6.4 | 0.437 | 11.1 |
| 13 | 12 | 1 | 2.00 | 50.80 | 1.544 | 39.21 | 0.858 | 21.79 | 0.250 | 6.4 | 0.437 | 11.1 |
| 14 | 12 | 1 | 3.00 | 76.19 | 1.544 | 39.21 | 0.858 | 21.79 | 0.625 | 15.9 | 0.779 | 19.8 |
| 15 | 12 | 2 | 2.75 | 69.85 | 1.844 | 46.83 | 0.858 | 21.79 | 0.350 | 8.9 | 0.625 | 15.9 |
| 16 | 12 | 2 | 3.75 | 95.25 | 1.844 | 46.83 | 0.858 | 21.79 | 0.625 | 15.9 | 0.904 | 23.0 |
| 17 | 14 | 1 | 2.00 | 50.80 | 1.844 | 46.83 | 0.984 | 24.99 | 0.500 | 12.7 | 0.750 | 19.1 |

Continued on pages 27 to 30

Note: All dimensions are in inches and millimeters (inch/mm). For complete dimensions, see the applicable Military Specification. Cable entry is defined as the envelope area of the cable or wire bundle. It is not intended for inspection criteria.

AS85049/10 Series (continued)
EMI/RFI environmental backshell - Aluminum straight

Dimensions

| Dash number | Shell size | Style | B $\pm 0.125/3.17$ | | C reference | | Ø D maxi | | Cable entry mini | | Cable entry maxi | |
|-------------|------------|-------|--------------------|--------|-------------|-------|----------|-------|------------------|------|------------------|------|
| | | | inch | mm | inch | mm | inch | mm | inch | mm | inch | mm |
| 18 | 14 | 1 | 3.00 | 76.19 | 1.844 | 46.83 | 0.984 | 24.99 | 0.875 | 22.2 | 1.029 | 26.1 |
| 19 | 14 | 2 | 2.75 | 69.85 | 1.916 | 48.66 | 0.984 | 24.99 | 0.500 | 12.7 | 0.750 | 19.1 |
| 20 | 14 | 2 | 3.75 | 95.25 | 1.916 | 48.66 | 0.984 | 24.99 | 0.875 | 22.2 | 1.144 | 29.1 |
| 21 | 16 | 1 | 2.00 | 50.80 | 1.916 | 48.66 | 1.112 | 28.24 | 0.625 | 15.9 | 0.937 | 23.8 |
| 22 | 16 | 1 | 3.00 | 76.19 | 1.916 | 48.66 | 1.112 | 28.24 | 1.000 | 25.4 | 1.375 | 34.9 |
| 23 | 16 | 2 | 2.75 | 69.85 | 2.000 | 50.80 | 1.112 | 28.24 | 0.625 | 15.9 | 0.937 | 23.8 |
| 24 | 16 | 2 | 3.75 | 95.25 | 2.000 | 50.80 | 1.112 | 28.24 | 0.875 | 22.2 | 1.250 | 31.8 |
| 25 | 18 | 1 | 2.00 | 50.80 | 1.844 | 46.83 | 1.218 | 30.93 | 1.250 | 31.8 | 1.625 | 41.3 |
| 26 | 18 | 1 | 3.00 | 76.19 | 1.844 | 46.83 | 1.218 | 30.93 | 0.625 | 15.9 | 0.937 | 23.8 |
| 27 | 18 | 1 | 2.00 | 50.80 | 1.916 | 48.66 | 1.218 | 30.93 | 1.000 | 25.4 | 1.375 | 34.9 |
| 28 | 18 | 1 | 3.00 | 76.19 | 1.916 | 48.66 | 1.218 | 30.93 | 1.437 | 36.5 | 1.840 | 46.7 |
| 29 | 18 | 1 | 2.75 | 69.85 | 2.000 | 50.80 | 1.218 | 30.93 | 0.625 | 15.9 | 0.937 | 23.8 |
| 30 | 18 | 1 | 3.75 | 95.25 | 2.000 | 50.80 | 1.218 | 30.93 | 1.000 | 25.4 | 1.375 | 34.9 |
| 31 | 20 | 1 | 3.00 | 76.19 | 1.844 | 46.83 | 1.345 | 34.16 | 1.437 | 36.5 | 1.875 | 47.6 |
| 32 | 20 | 1 | 4.00 | 101.6 | 1.844 | 46.83 | 1.345 | 34.16 | 0.625 | 15.9 | 0.937 | 23.8 |
| 33 | 20 | 1 | 3.00 | 76.19 | 1.916 | 48.66 | 1.345 | 34.16 | 1.000 | 25.4 | 1.375 | 34.9 |
| 34 | 20 | 1 | 4.00 | 101.6 | 1.916 | 48.66 | 1.345 | 34.16 | 1.437 | 36.5 | 1.875 | 47.6 |
| 35 | 20 | 2 | 3.75 | 95.25 | 2.000 | 50.80 | 1.345 | 34.16 | 0.625 | 15.9 | 0.937 | 23.8 |
| 36 | 20 | 2 | 4.75 | 120.65 | 2.000 | 50.80 | 1.345 | 34.16 | 1.000 | 25.4 | 1.375 | 34.9 |
| 37 | 20 | 2 | 3.75 | 95.25 | 2.230 | 56.64 | 1.345 | 34.16 | 1.437 | 36.5 | 1.875 | 47.6 |
| 38 | 20 | 2 | 4.75 | 120.65 | 2.230 | 56.64 | 1.345 | 34.16 | 0.500 | 12.7 | 0.750 | 19.1 |
| 39 | 22 | 1 | 3.00 | 76.19 | 1.844 | 46.83 | 1.468 | 37.28 | 0.875 | 22.2 | 1.184 | 30.1 |
| 40 | 22 | 1 | 4.00 | 101.6 | 1.844 | 46.83 | 1.468 | 37.28 | 0.350 | 8.9 | 0.625 | 15.9 |
| 41 | 22 | 1 | 3.00 | 76.19 | 1.916 | 48.66 | 1.468 | 37.28 | 0.125 | 3.2 | 0.312 | 7.9 |
| 42 | 22 | 1 | 4.00 | 101.6 | 1.916 | 48.66 | 1.468 | 37.28 | 0.250 | 6.4 | 0.437 | 11.1 |
| 43 | 22 | 1 | 3.00 | 76.19 | 2.000 | 50.80 | 1.468 | 37.28 | 0.250 | 6.4 | 0.437 | 11.1 |
| 44 | 22 | 1 | 4.00 | 101.6 | 2.000 | 50.80 | 1.468 | 37.28 | 0.125 | 3.2 | 0.312 | 7.9 |
| 45 | 22 | 2 | 3.75 | 95.25 | 2.230 | 56.64 | 1.468 | 37.28 | 0.250 | 6.4 | 0.437 | 11.1 |
| 46 | 22 | 2 | 4.75 | 120.65 | 2.230 | 56.64 | 1.468 | 37.28 | 0.350 | 8.9 | 0.625 | 15.9 |
| 47 | 24 | 1 | 3.00 | 76.19 | 1.916 | 48.66 | 1.593 | 40.46 | 0.500 | 12.7 | 0.750 | 19.1 |
| 48 | 24 | 1 | 4.00 | 101.6 | 1.916 | 48.66 | 1.593 | 40.46 | 0.500 | 12.7 | 0.750 | 19.1 |
| 49 | 24 | 1 | 3.00 | 76.19 | 2.000 | 50.80 | 1.593 | 40.46 | 0.625 | 15.9 | 0.812 | 20.6 |
| 50 | 24 | 1 | 4.00 | 101.6 | 2.000 | 50.80 | 1.593 | 40.46 | 0.625 | 15.9 | 0.812 | 20.6 |
| 51 | 24 | 1 | 4.00 | 101.6 | 2.000 | 50.80 | 1.593 | 40.46 | 0.625 | 15.9 | 0.937 | 23.8 |
| 52 | 24 | 1 | 4.00 | 101.6 | 2.000 | 50.80 | 1.593 | 40.46 | 0.625 | 15.9 | 0.937 | 23.8 |
| 53 | 24 | 2 | 3.75 | 95.25 | 2.230 | 56.64 | 1.593 | 40.46 | 0.875 | 22.2 | 1.250 | 31.8 |

Continued from page 36 and continued on pages 28

Note: All dimensions are in inches and millimeters (inch/mm). For complete dimensions, see the applicable Military Specification. Cable entry is defined as the envelope area of the cable or wire bundle. It is not intended for inspection criteria.

AS85049/10 Series (continued)
EMI/RFI environmental backshell - Aluminum straight

Dimensions

| Dash number | Shell size | Style | B $\pm 0.125/3.17$ | | C reference | | Ø D maxi | | Cable entry mini | | Cable entry maxi | |
|-------------|------------|-------|--------------------|--------|-------------|-------|----------|-------|------------------|------|------------------|------|
| | | | inch | mm | inch | mm | inch | mm | inch | mm | inch | mm |
| 54 | 24 | 2 | 4.75 | 120.65 | 2.230 | 56.64 | 1.593 | 40.46 | 0.875 | 22.2 | 1.250 | 31.8 |
| 55 | 28 | 1 | 3.00 | 76.19 | 1.916 | 48.66 | 1.969 | 50.01 | 0.500 | 12.7 | 0.750 | 19.1 |
| 56 | 28 | 1 | 4.00 | 101.6 | 1.916 | 48.66 | 1.969 | 50.01 | 0.500 | 12.7 | 0.750 | 19.1 |
| 57 | 28 | 1 | 3.00 | 76.19 | 2.000 | 50.80 | 1.969 | 50.01 | 0.625 | 15.9 | 0.937 | 23.8 |
| 58 | 28 | 1 | 4.00 | 101.6 | 2.000 | 50.80 | 1.969 | 50.01 | 0.625 | 15.9 | 0.937 | 23.8 |
| 59 | 28 | 1 | 3.00 | 76.19 | 2.230 | 56.64 | 1.969 | 50.01 | 0.875 | 22.2 | 1.250 | 31.8 |
| 60 | 28 | 1 | 4.00 | 101.6 | 2.230 | 56.64 | 1.969 | 50.01 | 0.875 | 22.2 | 1.250 | 31.8 |
| 61 | 28 | 1 | 3.00 | 76.19 | 2.024 | 51.40 | 1.969 | 50.01 | 1.000 | 25.4 | 1.375 | 34.9 |
| 62 | 28 | 1 | 4.00 | 101.6 | 2.024 | 51.40 | 1.969 | 50.01 | 1.000 | 25.4 | 1.375 | 34.9 |
| 63 | 32 | 1 | 3.00 | 76.19 | 2.000 | 50.80 | 2.219 | 56.36 | 0.625 | 15.9 | 0.937 | 23.8 |
| 64 | 32 | 1 | 4.00 | 101.6 | 2.000 | 50.80 | 2.219 | 56.36 | 0.625 | 15.9 | 0.937 | 23.8 |
| 65 | 32 | 1 | 3.00 | 76.19 | 2.230 | 56.64 | 2.219 | 56.36 | 0.875 | 22.2 | 1.250 | 31.8 |
| 66 | 32 | 1 | 4.00 | 101.6 | 2.230 | 56.64 | 2.219 | 56.36 | 0.875 | 22.2 | 1.250 | 31.8 |
| 67 | 32 | 1 | 3.00 | 76.19 | 2.024 | 51.40 | 2.219 | 56.36 | 1.000 | 25.4 | 1.375 | 34.9 |
| 68 | 32 | 1 | 4.00 | 101.6 | 2.024 | 51.40 | 2.219 | 56.36 | 1.000 | 25.4 | 1.375 | 34.9 |
| 69 | 32 | 1 | 3.00 | 76.19 | 2.550 | 64.77 | 2.219 | 56.36 | 1.250 | 31.8 | 1.625 | 41.3 |
| 70 | 32 | 1 | 4.00 | 101.6 | 2.550 | 64.77 | 2.219 | 56.36 | 1.250 | 31.8 | 1.625 | 41.3 |
| 71 | 36 | 1 | 4.00 | 101.6 | 2.230 | 56.64 | 2.469 | 62.71 | 0.875 | 22.2 | 1.250 | 31.8 |
| 72 | 36 | 1 | 5.00 | 127.00 | 2.230 | 56.64 | 2.469 | 62.71 | 0.875 | 22.2 | 1.250 | 31.8 |
| 73 | 36 | 1 | 4.00 | 101.6 | 2.024 | 51.40 | 2.469 | 62.71 | 1.000 | 25.4 | 1.375 | 34.9 |
| 74 | 36 | 1 | 5.00 | 127.00 | 2.024 | 51.40 | 2.469 | 62.71 | 1.000 | 25.4 | 1.375 | 34.9 |
| 75 | 36 | 1 | 4.00 | 101.6 | 2.550 | 64.77 | 2.469 | 62.71 | 1.250 | 31.8 | 1.625 | 41.3 |
| 76 | 36 | 1 | 5.00 | 127.00 | 2.550 | 64.77 | 2.469 | 62.71 | 1.250 | 31.8 | 1.625 | 41.3 |
| 77 | 36 | 2 | 4.88 | 123.95 | 2.600 | 66.03 | 2.469 | 62.71 | 1.437 | 36.5 | 1.875 | 47.6 |
| 78 | 36 | 2 | 5.88 | 149.35 | 2.600 | 66.03 | 2.469 | 62.71 | 1.437 | 36.5 | 1.875 | 47.6 |
| 79 | 40 | 1 | 4.00 | 101.6 | 2.230 | 56.64 | 2.719 | 69.06 | 0.875 | 22.2 | 1.250 | 31.8 |
| 80 | 40 | 1 | 5.00 | 127.00 | 2.230 | 56.64 | 2.719 | 69.06 | 0.875 | 22.2 | 1.250 | 31.8 |
| 81 | 40 | 1 | 4.00 | 101.6 | 2.024 | 51.40 | 2.719 | 69.06 | 1.000 | 25.4 | 1.375 | 34.9 |
| 82 | 40 | 1 | 5.00 | 127.00 | 2.024 | 51.40 | 2.719 | 69.06 | 1.000 | 25.4 | 1.375 | 34.9 |
| 83 | 40 | 1 | 4.00 | 101.6 | 2.550 | 64.77 | 2.719 | 69.06 | 1.250 | 31.8 | 1.625 | 41.3 |
| 84 | 40 | 1 | 5.00 | 127.00 | 2.550 | 64.77 | 2.719 | 69.06 | 1.250 | 31.8 | 1.625 | 41.3 |
| 85 | 40 | 1 | 4.00 | 101.6 | 2.600 | 66.03 | 2.719 | 69.06 | 1.437 | 36.5 | 1.875 | 47.6 |
| 86 | 40 | 1 | 5.00 | 127.00 | 2.600 | 66.03 | 2.719 | 69.06 | 1.437 | 36.5 | 1.875 | 47.6 |
| 87 | 44 | 1 | 4.00 | 101.6 | 2.230 | 56.64 | 2.969 | 75.41 | 0.875 | 22.2 | 1.250 | 31.8 |
| 88 | 44 | 1 | 5.00 | 127.00 | 2.230 | 56.64 | 2.969 | 75.41 | 0.875 | 22.2 | 1.250 | 31.8 |
| 89 | 44 | 1 | 4.00 | 101.6 | 2.024 | 51.40 | 2.969 | 75.41 | 1.000 | 25.4 | 1.375 | 34.9 |

Continued from page 27 and continued on page 29

Note: All dimensions are in inches and millimeters (inch/mm). For complete dimensions, see the applicable Military Specification. Cable entry is defined as the envelope area of the cable or wire bundle. It is not intended for inspection criteria.

AS85049/10 Series (continued)
EMI/RFI environmental backshell - Aluminum straight

Dimensions

| Dash number | Shell size | Style | B $\pm 0.125/3.17$ | | C reference | | Ø D maxi | | Cable entry mini | | Cable entry maxi | |
|-------------|------------|-------|--------------------|--------|-------------|-------|----------|-------|------------------|------|------------------|------|
| | | | inch | mm | inch | mm | inch | mm | inch | mm | inch | mm |
| 90 | 44 | 1 | 5.00 | 127.00 | 2.024 | 51.40 | 2.969 | 75.41 | 1.000 | 25.4 | 1.375 | 34.9 |
| 91 | 44 | 1 | 4.00 | 101.6 | 2.550 | 64.77 | 2.969 | 75.41 | 1.250 | 31.8 | 1.625 | 41.3 |
| 92 | 44 | 1 | 5.00 | 127.00 | 2.550 | 64.77 | 2.969 | 75.41 | 1.250 | 31.8 | 1.625 | 41.3 |
| 93 | 44 | 1 | 4.00 | 101.6 | 2.600 | 66.03 | 2.969 | 75.41 | 1.437 | 36.5 | 1.875 | 47.6 |
| 94 | 44 | 1 | 5.00 | 127.00 | 2.600 | 66.03 | 2.969 | 75.41 | 1.437 | 36.5 | 1.875 | 47.6 |
| 95 | 48 | 1 | 4.00 | 101.6 | 2.230 | 56.64 | 3.219 | 81.76 | 0.875 | 22.2 | 1.250 | 31.8 |
| 96 | 48 | 1 | 5.00 | 127.00 | 2.230 | 56.64 | 3.219 | 81.76 | 0.875 | 22.2 | 1.250 | 31.8 |
| 97 | 48 | 1 | 4.00 | 101.6 | 2.024 | 51.40 | 3.219 | 81.76 | 1.000 | 25.4 | 1.375 | 34.9 |
| 98 | 48 | 1 | 5.00 | 127.00 | 2.024 | 51.40 | 3.219 | 81.76 | 1.000 | 25.4 | 1.375 | 34.9 |
| 99 | 48 | 1 | 4.00 | 101.6 | 2.550 | 64.77 | 3.219 | 81.76 | 1.250 | 31.8 | 1.625 | 41.3 |
| 100 | 48 | 1 | 5.00 | 127.00 | 2.550 | 64.77 | 3.219 | 81.76 | 1.250 | 31.8 | 1.625 | 41.3 |
| 101 | 48 | 1 | 4.00 | 101.6 | 2.600 | 66.03 | 3.219 | 81.76 | 1.437 | 36.5 | 1.875 | 47.6 |
| 102 | 48 | 1 | 5.00 | 127.00 | 2.600 | 66.03 | 3.219 | 81.76 | 1.437 | 36.5 | 1.875 | 47.6 |
| 111 | 12 | 1 | 2.00 | 50.80 | 1.844 | 46.83 | 0.858 | 21.79 | 0.350 | 8.9 | 0.500 | 12.7 |
| 112 | 16 | 1 | 2.00 | 50.80 | 1.544 | 39.21 | 1.112 | 28.24 | 0.250 | 6.4 | 0.437 | 11.1 |
| 113 | 16 | 1 | 3.00 | 76.19 | 1.544 | 39.21 | 1.112 | 28.24 | 0.250 | 6.4 | 0.437 | 11.1 |
| 114 | 12 | 1 | 2.00 | 50.80 | 1.544 | 39.21 | 0.858 | 21.79 | 0.125 | 3.2 | 0.312 | 7.9 |
| 115 | 12 | 1 | 3.00 | 76.19 | 1.544 | 39.21 | 0.858 | 21.79 | 0.125 | 3.2 | 0.312 | 7.9 |
| 116 | 14 | 1 | 2.00 | 50.80 | 1.544 | 39.21 | 0.984 | 24.99 | 0.250 | 6.4 | 0.437 | 11.1 |
| 117 | 14 | 1 | 3.00 | 76.19 | 1.544 | 39.21 | 0.984 | 24.99 | 0.250 | 6.4 | 0.437 | 11.1 |
| 118 | 16 | 1 | 2.00 | 50.80 | 1.844 | 46.83 | 1.112 | 28.24 | 0.350 | 8.9 | 0.625 | 15.9 |
| 119 | 16 | 1 | 3.00 | 76.19 | 1.844 | 46.83 | 1.112 | 28.24 | 0.350 | 8.9 | 0.625 | 15.9 |
| 120 | 18 | 1 | 2.00 | 50.80 | 1.544 | 39.21 | 1.218 | 30.93 | 0.125 | 3.2 | 0.312 | 7.9 |
| 121 | 18 | 1 | 3.00 | 76.19 | 1.544 | 39.21 | 1.218 | 30.93 | 0.125 | 2.3 | 0.312 | 7.9 |
| 122 | 18 | 1 | 2.00 | 50.80 | 1.544 | 39.21 | 1.218 | 30.93 | 0.250 | 6.4 | 0.437 | 11.1 |
| 123 | 18 | 1 | 3.00 | 76.19 | 1.544 | 39.21 | 1.218 | 30.93 | 0.250 | 6.4 | 0.437 | 11.1 |
| 124 | 20 | 1 | 3.00 | 76.19 | 1.544 | 39.21 | 1.345 | 34.16 | 0.250 | 6.4 | 0.437 | 11.1 |
| 125 | 20 | 1 | 4.00 | 101.6 | 1.544 | 39.21 | 1.345 | 34.16 | 0.250 | 6.4 | 0.437 | 11.1 |
| 126 | 22 | 1 | 3.00 | 76.19 | 1.544 | 39.21 | 1.468 | 37.28 | 0.125 | 3.2 | 0.312 | 7.9 |
| 127 | 22 | 1 | 4.00 | 101.6 | 1.544 | 39.21 | 1.468 | 37.28 | 0.125 | 3.2 | 0.312 | 7.9 |
| 128 | 22 | 1 | 3.00 | 76.19 | 1.544 | 39.21 | 1.468 | 37.28 | 0.250 | 6.4 | 0.437 | 11.1 |
| 129 | 22 | 1 | 4.00 | 101.6 | 1.544 | 39.21 | 1.468 | 37.28 | 0.250 | 6.4 | 0.437 | 11.1 |
| 130 | 24 | 1 | 3.00 | 76.19 | 1.844 | 46.83 | 1.593 | 40.46 | 0.350 | 8.9 | 0.625 | 15.9 |
| 131 | 24 | 1 | 4.00 | 101.6 | 1.844 | 46.83 | 1.593 | 40.46 | 0.350 | 8.9 | 0.625 | 15.9 |
| 132 | 36 | 1 | 4.00 | 101.6 | 1.916 | 48.66 | 2.469 | 62.71 | 0.500 | 12.7 | 0.750 | 19.1 |
| 133 | 36 | 1 | 5.00 | 127.00 | 1.916 | 48.66 | 2.469 | 62.71 | 0.500 | 12.7 | 0.750 | 19.1 |

Continued from page 28 and continued on page 30

Note: All dimensions are in inches and millimeters (inch/mm). For complete dimensions, see the applicable Military Specification. Cable entry is defined as the envelope area of the cable or wire bundle. It is not intended for inspection criteria.

AS85049/10 Series (continued)
EMI/RFI environmental backshell - Aluminum straight

Dimensions

| Dash number | Shell size | Style | B $\pm 0.125/3.17$ | | C reference | | Ø D maxi | | Cable entry mini | | Cable entry maxi | |
|-------------|------------|-------|--------------------|--------|-------------|-------|----------|-------|------------------|------|------------------|------|
| | | | inch | mm | inch | mm | inch | mm | inch | mm | inch | mm |
| 134 | 40 | 1 | 4.00 | 101.6 | 1.916 | 48.66 | 2.719 | 69.06 | 0.500 | 12.7 | 0.750 | 19.1 |
| 135 | 40 | 1 | 5.00 | 127.00 | 1.916 | 48.66 | 2.719 | 69.06 | 0.500 | 12.7 | 0.750 | 19.1 |
| 136 | 10 | 1 | 2.00 | 50.80 | 1.544 | 39.21 | 0.734 | 18.64 | 0.250 | 6.4 | 0.375 | 9.5 |
| 137 | 10 | 1 | 3.00 | 76.19 | 1.544 | 39.21 | 0.734 | 18.64 | 0.250 | 6.4 | 0.375 | 9.5 |
| 138 | 12 | 1 | 2.00 | 50.80 | 1.844 | 46.83 | 0.858 | 21.79 | 0.350 | 8.9 | 0.500 | 12.7 |
| 139 | 12 | 1 | 3.00 | 76.19 | 1.844 | 46.83 | 0.858 | 21.79 | 0.350 | 8.9 | 0.500 | 12.7 |
| 140 | 20 | 1 | 3.00 | 76.19 | 2.000 | 50.80 | 1.345 | 34.16 | 0.625 | 15.9 | 0.904 | 23.0 |
| 141 | 20 | 1 | 4.00 | 101.6 | 2.000 | 50.80 | 1.345 | 34.16 | 0.625 | 15.9 | 0.904 | 23.0 |
| 142 | 22 | 1 | 3.00 | 76.19 | 2.230 | 56.64 | 1.468 | 37.28 | 0.875 | 22.2 | 1.029 | 26.1 |
| 143 | 22 | 1 | 4.00 | 101.6 | 2.230 | 56.64 | 1.468 | 37.28 | 0.875 | 22.2 | 1.029 | 26.1 |
| 144 | 24 | 1 | 3.00 | 76.19 | 2.230 | 56.64 | 1.593 | 40.46 | 0.875 | 22.2 | 1.144 | 29.1 |
| 145 | 24 | 1 | 4.00 | 101.6 | 2.230 | 56.64 | 1.593 | 40.46 | 0.875 | 22.2 | 1.144 | 29.1 |
| 146 | 36 | 1 | 4.00 | 101.6 | 2.600 | 66.03 | 2.469 | 62.71 | 1.437 | 36.5 | 1.840 | 46.7 |
| 147 | 36 | 1 | 5.00 | 127.00 | 2.600 | 66.03 | 2.469 | 62.71 | 1.437 | 36.5 | 1.840 | 46.7 |
| 148 | 36 | 1 | 4.00 | 101.6 | 2.000 | 50.80 | 2.469 | 62.71 | 0.625 | 15.9 | 0.937 | 23.8 |
| 149 | 36 | 1 | 5.00 | 127.00 | 2.000 | 50.80 | 2.469 | 62.71 | 0.625 | 15.9 | 0.937 | 23.8 |
| 150 | 14 | 1 | 2.00 | 50.80 | 1.544 | 39.21 | 0.984 | 24.99 | 0.125 | 3.2 | 0.312 | 7.9 |
| 151 | 14 | 1 | 3.00 | 76.19 | 1.544 | 39.21 | 0.984 | 24.99 | 0.125 | 3.2 | 0.312 | 7.9 |
| 152 | 16 | 1 | 2.00 | 50.80 | 1.544 | 39.21 | 1.112 | 28.24 | 0.125 | 3.2 | 0.312 | 7.9 |
| 153 | 16 | 1 | 3.00 | 76.19 | 1.544 | 39.21 | 1.112 | 28.24 | 0.125 | 3.2 | 0.312 | 7.9 |
| 154 | 44 | 1 | 4.00 | 101.6 | 2.000 | 50.80 | 2.969 | 75.41 | 0.625 | 15.9 | 0.937 | 23.8 |
| 155 | 44 | 1 | 5.00 | 127.00 | 2.000 | 50.80 | 2.969 | 75.41 | 0.625 | 15.9 | 0.937 | 23.8 |
| 156 | 40 | 1 | 4.00 | 101.6 | 2.000 | 50.80 | 2.719 | 69.06 | 0.625 | 15.9 | 0.937 | 23.8 |
| 157 | 40 | 1 | 5.00 | 127.00 | 2.000 | 50.80 | 2.719 | 69.06 | 0.625 | 15.9 | 0.937 | 23.8 |

Continued from page 29

Note: All dimensions are in inches and millimeters (inch/mm). For complete dimensions, see the applicable Military Specification. Cable entry is defined as the envelope area of the cable or wire bundle. It is not intended for inspection criteria.

AS85049/11 Series Environmental backshell - Aluminum straight

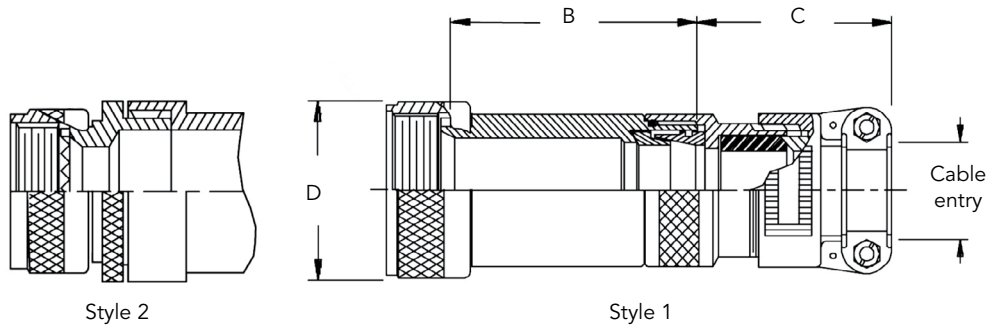
For connectors:

- AS50151 crimp
- AS81703 Series 3
- MIL-DTL-26482 Series 2
- MIL-DTL-83723 Series 3
- EN2997 & EN3646

Ordering information

| | | | |
|--|------------|----|---|
| Basic Series | AS85049/11 | 24 | W |
| Dash number 5 to 157 | | | |
| Material and plating | | | |
| W: Aluminum, olive drab cadmium over electroless nickel, 1000 hours salt spray | | | |
| N: Aluminum, electroless nickel | | | |
| S: Stainless steel, passivated | | | |
| B: Stainless steel, black cadmium | | | |

Dimensions



| Dash number | Shell size | Style | B $\pm 0.125/3.17$ | | C reference | | \varnothing D maxi | | Cable entry mini | | Cable entry maxi | |
|-------------|------------|-------|--------------------|-------|-------------|-------|----------------------|-------|------------------|------|------------------|------|
| | | | inch | mm | inch | mm | inch | mm | inch | mm | inch | mm |
| 5 | 8 | 1 | 2.00 | 50.80 | 1.027 | 26.08 | 0.617 | 15.67 | 0.250 | 6.4 | 0.375 | 9.5 |
| 6 | 8 | 1 | 3.00 | 76.19 | 1.027 | 26.08 | 0.617 | 15.67 | 0.125 | 3.2 | 0.312 | 7.9 |
| 7 | 8 | 2 | 2.75 | 69.85 | 1.027 | 26.08 | 0.617 | 15.67 | 0.250 | 6.4 | 0.437 | 11.1 |
| 8 | 8 | 2 | 3.75 | 95.25 | 1.027 | 26.08 | 0.617 | 15.67 | 0.350 | 8.9 | 0.500 | 12.7 |
| 9 | 10 | 1 | 2.00 | 50.80 | 1.027 | 26.08 | 0.734 | 18.64 | 0.250 | 6.4 | 0.437 | 11.1 |
| 10 | 10 | 1 | 3.00 | 76.19 | 1.027 | 26.08 | 0.734 | 18.64 | 0.350 | 8.9 | 0.575 | 14.6 |
| 11 | 10 | 2 | 2.75 | 69.85 | 1.027 | 26.08 | 0.734 | 18.64 | 0.250 | 6.4 | 0.437 | 11.1 |
| 12 | 10 | 2 | 3.75 | 95.25 | 1.027 | 26.08 | 0.734 | 18.64 | 0.250 | 6.4 | 0.437 | 11.1 |
| 13 | 12 | 1 | 2.00 | 50.80 | 1.027 | 26.08 | 0.858 | 21.79 | 0.250 | 6.4 | 0.437 | 11.1 |
| 14 | 12 | 1 | 3.00 | 76.19 | 1.027 | 26.08 | 0.858 | 21.79 | 0.625 | 15.9 | 0.779 | 19.8 |
| 15 | 12 | 2 | 2.75 | 69.85 | 1.027 | 26.08 | 0.858 | 21.79 | 0.350 | 8.9 | 0.625 | 15.9 |
| 16 | 12 | 2 | 3.75 | 95.25 | 1.027 | 26.08 | 0.858 | 21.79 | 0.625 | 15.9 | 0.904 | 23.0 |
| 17 | 14 | 1 | 2.00 | 50.80 | 1.027 | 26.08 | 0.984 | 24.99 | 0.500 | 12.7 | 0.750 | 19.1 |

Continued on pages 32 to 35

Note: All dimensions are in inches and millimeters (inch/mm). For complete dimensions, see the applicable Military Specification. Cable entry is defined as the envelope area of the cable or wire bundle. It is not intended for inspection criteria.

AS85049/11 Series Environmental backshell - Aluminum straight

Dimensions

| Dash number | Shell size | Style | B $\pm 0.125/3.17$ | | C reference | | Ø D maxi | | Cable entry mini | | Cable entry maxi | |
|-------------|------------|-------|--------------------|--------|-------------|-------|----------|-------|------------------|------|------------------|------|
| | | | inch | mm | inch | mm | inch | mm | inch | mm | inch | mm |
| 18 | 14 | 1 | 3.00 | 76.19 | 1.027 | 26.08 | 0.984 | 24.99 | 0.875 | 22.2 | 1.029 | 26.1 |
| 19 | 14 | 2 | 2.75 | 69.85 | 1.059 | 26.89 | 0.984 | 24.99 | 0.500 | 12.7 | 0.750 | 19.1 |
| 20 | 14 | 2 | 3.75 | 95.25 | 1.059 | 26.89 | 0.984 | 24.99 | 0.875 | 22.2 | 1.144 | 29.1 |
| 21 | 16 | 1 | 2.00 | 50.80 | 1.059 | 26.89 | 1.112 | 28.24 | 0.625 | 15.9 | 0.937 | 23.8 |
| 22 | 16 | 1 | 3.00 | 76.19 | 1.059 | 26.89 | 1.112 | 28.24 | 1.000 | 25.4 | 1.375 | 34.9 |
| 23 | 16 | 2 | 2.75 | 69.85 | 1.156 | 29.36 | 1.112 | 28.24 | 0.625 | 15.9 | 0.937 | 23.8 |
| 24 | 16 | 2 | 3.75 | 95.25 | 1.156 | 29.36 | 1.112 | 28.24 | 0.875 | 22.2 | 1.250 | 31.8 |
| 25 | 18 | 1 | 2.00 | 50.80 | 1.027 | 26.08 | 1.218 | 30.93 | 1.250 | 31.8 | 1.625 | 41.3 |
| 26 | 18 | 1 | 3.00 | 76.19 | 1.027 | 26.08 | 1.218 | 30.93 | 0.625 | 15.9 | 0.937 | 23.8 |
| 27 | 18 | 1 | 2.00 | 50.80 | 1.059 | 26.89 | 1.218 | 30.93 | 1.000 | 25.4 | 1.375 | 34.9 |
| 28 | 18 | 1 | 3.00 | 76.19 | 1.059 | 26.89 | 1.218 | 30.93 | 1.437 | 36.5 | 1.840 | 46.7 |
| 29 | 18 | 1 | 2.75 | 69.85 | 1.156 | 29.36 | 1.218 | 30.93 | 0.625 | 15.9 | 0.937 | 23.8 |
| 30 | 18 | 1 | 3.75 | 95.25 | 1.156 | 29.36 | 1.218 | 30.93 | 1.000 | 25.4 | 1.375 | 34.9 |
| 31 | 20 | 1 | 3.00 | 76.19 | 1.027 | 26.08 | 1.345 | 34.16 | 1.437 | 36.5 | 1.875 | 47.6 |
| 32 | 20 | 1 | 4.00 | 101.6 | 1.027 | 26.08 | 1.345 | 34.16 | 0.625 | 15.9 | 0.937 | 23.8 |
| 33 | 20 | 1 | 3.00 | 76.19 | 1.059 | 26.89 | 1.345 | 34.16 | 1.000 | 25.4 | 1.375 | 34.9 |
| 34 | 20 | 1 | 4.00 | 101.6 | 1.059 | 26.89 | 1.345 | 34.16 | 1.437 | 36.5 | 1.875 | 47.6 |
| 35 | 20 | 2 | 3.75 | 95.25 | 1.156 | 29.36 | 1.345 | 34.16 | 0.625 | 15.9 | 0.937 | 23.8 |
| 36 | 20 | 2 | 4.75 | 120.65 | 1.156 | 29.36 | 1.345 | 34.16 | 1.000 | 25.4 | 1.375 | 34.9 |
| 37 | 20 | 2 | 3.75 | 95.25 | 1.375 | 34.92 | 1.345 | 34.16 | 1.437 | 36.5 | 1.875 | 47.6 |
| 38 | 20 | 2 | 4.75 | 120.65 | 1.375 | 34.92 | 1.345 | 34.16 | 0.500 | 12.7 | 0.750 | 19.1 |
| 39 | 22 | 1 | 3.00 | 76.19 | 1.027 | 26.08 | 1.468 | 37.28 | 0.875 | 22.2 | 1.184 | 30.1 |
| 40 | 22 | 1 | 4.00 | 101.6 | 1.027 | 26.08 | 1.468 | 37.28 | 0.350 | 8.9 | 0.625 | 15.9 |
| 41 | 22 | 1 | 3.00 | 76.19 | 1.059 | 26.89 | 1.468 | 37.28 | 0.125 | 3.2 | 0.312 | 7.9 |
| 42 | 22 | 1 | 4.00 | 101.6 | 1.059 | 26.89 | 1.468 | 37.28 | 0.250 | 6.4 | 0.437 | 11.1 |
| 43 | 22 | 1 | 3.00 | 76.19 | 1.156 | 29.36 | 1.468 | 37.28 | 0.250 | 6.4 | 0.437 | 11.1 |
| 44 | 22 | 1 | 4.00 | 101.6 | 1.156 | 29.36 | 1.468 | 37.28 | 0.125 | 3.2 | 0.312 | 7.9 |
| 45 | 22 | 2 | 3.75 | 95.25 | 1.375 | 34.92 | 1.468 | 37.28 | 0.250 | 6.4 | 0.437 | 11.1 |
| 46 | 22 | 2 | 4.75 | 120.65 | 1.375 | 34.92 | 1.468 | 37.28 | 0.350 | 8.9 | 0.625 | 15.9 |
| 47 | 24 | 1 | 3.00 | 76.19 | 1.059 | 26.89 | 1.593 | 40.46 | 0.500 | 12.7 | 0.750 | 19.1 |
| 48 | 24 | 1 | 4.00 | 101.6 | 1.059 | 26.89 | 1.593 | 40.46 | 0.500 | 12.7 | 0.750 | 19.1 |
| 49 | 24 | 1 | 3.00 | 76.19 | 1.156 | 29.36 | 1.593 | 40.46 | 0.625 | 15.9 | 0.812 | 20.6 |
| 50 | 24 | 1 | 4.00 | 101.6 | 1.156 | 29.36 | 1.593 | 40.46 | 0.625 | 15.9 | 0.812 | 20.6 |
| 51 | 24 | 1 | 4.00 | 101.6 | 1.156 | 29.36 | 1.593 | 40.46 | 0.625 | 15.9 | 0.937 | 23.8 |
| 52 | 24 | 1 | 4.00 | 101.6 | 1.156 | 29.36 | 1.593 | 40.46 | 0.625 | 15.9 | 0.937 | 23.8 |
| 53 | 24 | 2 | 3.75 | 95.25 | 1.375 | 34.92 | 1.593 | 40.46 | 0.875 | 22.2 | 1.250 | 31.8 |

Continued from page 31 and continued on pages 33

Note: All dimensions are in inches and millimeters (inch/mm). For complete dimensions, see the applicable Military Specification. Cable entry is defined as the envelope area of the cable or wire bundle. It is not intended for inspection criteria.

AS85049/11 Series Environmental backshell - Aluminum straight

Dimensions

| Dash number | Shell size | Style | B $\pm 0.125/3.17$ | | C reference | | Ø D maxi | | Cable entry mini | | Cable entry maxi | |
|-------------|------------|-------|--------------------|--------|-------------|-------|----------|-------|------------------|------|------------------|------|
| | | | inch | mm | inch | mm | inch | mm | inch | mm | inch | mm |
| 54 | 24 | 2 | 4.75 | 120.65 | 1.375 | 34.92 | 1.593 | 40.46 | 0.875 | 22.2 | 1.250 | 31.8 |
| 55 | 28 | 1 | 3.00 | 76.19 | 1.059 | 26.89 | 1.969 | 50.01 | 0.500 | 12.7 | 0.750 | 19.1 |
| 56 | 28 | 1 | 4.00 | 101.6 | 1.059 | 26.89 | 1.969 | 50.01 | 0.500 | 12.7 | 0.750 | 19.1 |
| 57 | 28 | 1 | 3.00 | 76.19 | 1.156 | 29.36 | 1.969 | 50.01 | 0.625 | 15.9 | 0.937 | 23.8 |
| 58 | 28 | 1 | 4.00 | 101.6 | 1.156 | 29.36 | 1.969 | 50.01 | 0.625 | 15.9 | 0.937 | 23.8 |
| 59 | 28 | 1 | 3.00 | 76.19 | 1.375 | 34.92 | 1.969 | 50.01 | 0.875 | 22.2 | 1.250 | 31.8 |
| 60 | 28 | 1 | 4.00 | 101.6 | 1.375 | 34.92 | 1.969 | 50.01 | 0.875 | 22.2 | 1.250 | 31.8 |
| 61 | 28 | 1 | 3.00 | 76.19 | 1.500 | 38.09 | 1.969 | 50.01 | 1.000 | 25.4 | 1.375 | 34.9 |
| 62 | 28 | 1 | 4.00 | 101.6 | 1.500 | 38.09 | 1.969 | 50.01 | 1.000 | 25.4 | 1.375 | 34.9 |
| 63 | 32 | 1 | 3.00 | 76.19 | 1.156 | 29.36 | 2.219 | 56.36 | 0.625 | 15.9 | 0.937 | 23.8 |
| 64 | 32 | 1 | 4.00 | 101.6 | 1.156 | 29.36 | 2.219 | 56.36 | 0.625 | 15.9 | 0.937 | 23.8 |
| 65 | 32 | 1 | 3.00 | 76.19 | 1.375 | 34.92 | 2.219 | 56.36 | 0.875 | 22.2 | 1.250 | 31.8 |
| 66 | 32 | 1 | 4.00 | 101.6 | 1.375 | 34.92 | 2.219 | 56.36 | 0.875 | 22.2 | 1.250 | 31.8 |
| 67 | 32 | 1 | 3.00 | 76.19 | 1.500 | 38.09 | 2.219 | 56.36 | 1.000 | 25.4 | 1.375 | 34.9 |
| 68 | 32 | 1 | 4.00 | 101.6 | 1.500 | 38.09 | 2.219 | 56.36 | 1.000 | 25.4 | 1.375 | 34.9 |
| 69 | 32 | 1 | 3.00 | 76.19 | 1.781 | 45.23 | 2.219 | 56.36 | 1.250 | 31.8 | 1.625 | 41.3 |
| 70 | 32 | 1 | 4.00 | 101.6 | 1.781 | 45.23 | 2.219 | 56.36 | 1.250 | 31.8 | 1.625 | 41.3 |
| 71 | 36 | 1 | 4.00 | 101.6 | 1.375 | 34.92 | 2.469 | 62.71 | 0.875 | 22.2 | 1.250 | 31.8 |
| 72 | 36 | 1 | 5.00 | 127.00 | 1.375 | 34.92 | 2.469 | 62.71 | 0.875 | 22.2 | 1.250 | 31.8 |
| 73 | 36 | 1 | 4.00 | 101.6 | 1.500 | 38.09 | 2.469 | 62.71 | 1.000 | 25.4 | 1.375 | 34.9 |
| 74 | 36 | 1 | 5.00 | 127.00 | 1.500 | 38.09 | 2.469 | 62.71 | 1.000 | 25.4 | 1.375 | 34.9 |
| 75 | 36 | 1 | 4.00 | 101.6 | 1.781 | 45.23 | 2.469 | 62.71 | 1.250 | 31.8 | 1.625 | 41.3 |
| 76 | 36 | 1 | 5.00 | 127.00 | 1.781 | 45.23 | 2.469 | 62.71 | 1.250 | 31.8 | 1.625 | 41.3 |
| 77 | 36 | 2 | 4.88 | 123.95 | 1.830 | 45.48 | 2.469 | 62.71 | 1.437 | 36.5 | 1.875 | 47.6 |
| 78 | 36 | 2 | 5.88 | 149.35 | 1.830 | 45.48 | 2.469 | 62.71 | 1.437 | 36.5 | 1.875 | 47.6 |
| 79 | 40 | 1 | 4.00 | 101.6 | 1.375 | 34.92 | 2.719 | 69.06 | 0.875 | 22.2 | 1.250 | 31.8 |
| 80 | 40 | 1 | 5.00 | 127.00 | 1.375 | 34.92 | 2.719 | 69.06 | 0.875 | 22.2 | 1.250 | 31.8 |
| 81 | 40 | 1 | 4.00 | 101.6 | 1.500 | 38.09 | 2.719 | 69.06 | 1.000 | 25.4 | 1.375 | 34.9 |
| 82 | 40 | 1 | 5.00 | 127.00 | 1.500 | 38.09 | 2.719 | 69.06 | 1.000 | 25.4 | 1.375 | 34.9 |
| 83 | 40 | 1 | 4.00 | 101.6 | 1.781 | 45.23 | 2.719 | 69.06 | 1.250 | 31.8 | 1.625 | 41.3 |
| 84 | 40 | 1 | 5.00 | 127.00 | 1.781 | 45.23 | 2.719 | 69.06 | 1.250 | 31.8 | 1.625 | 41.3 |
| 85 | 40 | 1 | 4.00 | 101.6 | 1.830 | 45.48 | 2.719 | 69.06 | 1.437 | 36.5 | 1.875 | 47.6 |
| 86 | 40 | 1 | 5.00 | 127.00 | 1.830 | 45.48 | 2.719 | 69.06 | 1.437 | 36.5 | 1.875 | 47.6 |
| 87 | 44 | 1 | 4.00 | 101.6 | 1.375 | 34.92 | 2.969 | 75.41 | 0.875 | 22.2 | 1.250 | 31.8 |
| 88 | 44 | 1 | 5.00 | 127.00 | 1.375 | 34.92 | 2.969 | 75.41 | 0.875 | 22.2 | 1.250 | 31.8 |
| 89 | 44 | 1 | 4.00 | 101.6 | 1.500 | 38.09 | 2.969 | 75.41 | 1.000 | 25.4 | 1.375 | 34.9 |

Continued from page 32 and continued on page 34

Note: All dimensions are in inches and millimeters (inch/mm). For complete dimensions, see the applicable Military Specification. Cable entry is defined as the envelope area of the cable or wire bundle. It is not intended for inspection criteria.

AS85049/11 Series Environmental backshell - Aluminum straight

Dimensions

| Dash number | Shell size | Style | B $\pm 0.125/3.17$ | | C reference | | Ø D maxi | | Cable entry mini | | Cable entry maxi | |
|-------------|------------|-------|--------------------|--------|-------------|-------|----------|-------|------------------|------|------------------|------|
| | | | inch | mm | inch | mm | inch | mm | inch | mm | inch | mm |
| 90 | 44 | 1 | 5.00 | 127.00 | 1.500 | 38.09 | 2.969 | 75.41 | 1.000 | 25.4 | 1.375 | 34.9 |
| 91 | 44 | 1 | 4.00 | 101.6 | 1.781 | 45.23 | 2.969 | 75.41 | 1.250 | 31.8 | 1.625 | 41.3 |
| 92 | 44 | 1 | 5.00 | 127.00 | 1.781 | 45.23 | 2.969 | 75.41 | 1.250 | 31.8 | 1.625 | 41.3 |
| 93 | 44 | 1 | 4.00 | 101.6 | 1.830 | 45.48 | 2.969 | 75.41 | 1.437 | 36.5 | 1.875 | 47.6 |
| 94 | 44 | 1 | 5.00 | 127.00 | 1.830 | 45.48 | 2.969 | 75.41 | 1.437 | 36.5 | 1.875 | 47.6 |
| 95 | 48 | 1 | 4.00 | 101.6 | 1.375 | 34.92 | 3.219 | 81.76 | 0.875 | 22.2 | 1.250 | 31.8 |
| 96 | 48 | 1 | 5.00 | 127.00 | 1.375 | 34.92 | 3.219 | 81.76 | 0.875 | 22.2 | 1.250 | 31.8 |
| 97 | 48 | 1 | 4.00 | 101.6 | 1.500 | 38.09 | 3.219 | 81.76 | 1.000 | 25.4 | 1.375 | 34.9 |
| 98 | 48 | 1 | 5.00 | 127.00 | 1.500 | 38.09 | 3.219 | 81.76 | 1.000 | 25.4 | 1.375 | 34.9 |
| 99 | 48 | 1 | 4.00 | 101.6 | 1.781 | 45.23 | 3.219 | 81.76 | 1.250 | 31.8 | 1.625 | 41.3 |
| 100 | 48 | 1 | 5.00 | 127.00 | 1.781 | 45.23 | 3.219 | 81.76 | 1.250 | 31.8 | 1.625 | 41.3 |
| 101 | 48 | 1 | 4.00 | 101.6 | 1.830 | 45.48 | 3.219 | 81.76 | 1.437 | 36.5 | 1.875 | 47.6 |
| 102 | 48 | 1 | 5.00 | 127.00 | 1.830 | 45.48 | 3.219 | 81.76 | 1.437 | 36.5 | 1.875 | 47.6 |
| 111 | 12 | 1 | 2.00 | 50.80 | 1.027 | 26.08 | 0.858 | 21.79 | 0.350 | 8.9 | 0.500 | 12.7 |
| 112 | 16 | 1 | 2.00 | 50.80 | 1.027 | 26.08 | 1.112 | 28.24 | 0.250 | 6.4 | 0.437 | 11.1 |
| 113 | 16 | 1 | 3.00 | 76.19 | 1.027 | 26.08 | 1.112 | 28.24 | 0.250 | 6.4 | 0.437 | 11.1 |
| 114 | 12 | 1 | 2.00 | 50.80 | 1.027 | 26.08 | 0.858 | 21.79 | 0.125 | 3.2 | 0.312 | 7.9 |
| 115 | 12 | 1 | 3.00 | 76.19 | 1.027 | 26.08 | 0.858 | 21.79 | 0.125 | 3.2 | 0.312 | 7.9 |
| 116 | 14 | 1 | 2.00 | 50.80 | 1.027 | 26.08 | 0.984 | 24.99 | 0.250 | 6.4 | 0.437 | 11.1 |
| 117 | 14 | 1 | 3.00 | 76.19 | 1.027 | 26.08 | 0.984 | 24.99 | 0.250 | 6.4 | 0.437 | 11.1 |
| 118 | 16 | 1 | 2.00 | 50.80 | 1.027 | 26.08 | 1.112 | 28.24 | 0.350 | 8.9 | 0.625 | 15.9 |
| 119 | 16 | 1 | 3.00 | 76.19 | 1.027 | 26.08 | 1.112 | 28.24 | 0.350 | 8.9 | 0.625 | 15.9 |
| 120 | 18 | 1 | 2.00 | 50.80 | 1.027 | 26.08 | 1.218 | 30.93 | 0.125 | 3.2 | 0.312 | 7.9 |
| 121 | 18 | 1 | 3.00 | 76.19 | 1.027 | 26.08 | 1.218 | 30.93 | 0.125 | 2.3 | 0.312 | 7.9 |
| 122 | 18 | 1 | 2.00 | 50.80 | 1.027 | 26.08 | 1.218 | 30.93 | 0.250 | 6.4 | 0.437 | 11.1 |
| 123 | 18 | 1 | 3.00 | 76.19 | 1.027 | 26.08 | 1.218 | 30.93 | 0.250 | 6.4 | 0.437 | 11.1 |
| 124 | 20 | 1 | 3.00 | 76.19 | 1.027 | 26.08 | 1.345 | 34.16 | 0.250 | 6.4 | 0.437 | 11.1 |
| 125 | 20 | 1 | 4.00 | 101.6 | 1.027 | 26.08 | 1.345 | 34.16 | 0.250 | 6.4 | 0.437 | 11.1 |
| 126 | 22 | 1 | 3.00 | 76.19 | 1.027 | 26.08 | 1.468 | 37.28 | 0.125 | 3.2 | 0.312 | 7.9 |
| 127 | 22 | 1 | 4.00 | 101.6 | 1.027 | 26.08 | 1.468 | 37.28 | 0.125 | 3.2 | 0.312 | 7.9 |
| 128 | 22 | 1 | 3.00 | 76.19 | 1.027 | 26.08 | 1.468 | 37.28 | 0.250 | 6.4 | 0.437 | 11.1 |
| 129 | 22 | 1 | 4.00 | 101.6 | 1.027 | 26.08 | 1.468 | 37.28 | 0.250 | 6.4 | 0.437 | 11.1 |
| 130 | 24 | 1 | 3.00 | 76.19 | 1.027 | 26.08 | 1.593 | 40.46 | 0.350 | 8.9 | 0.625 | 15.9 |
| 131 | 24 | 1 | 4.00 | 101.6 | 1.027 | 26.08 | 1.593 | 40.46 | 0.350 | 8.9 | 0.625 | 15.9 |
| 132 | 36 | 1 | 4.00 | 101.6 | 1.059 | 26.89 | 2.469 | 62.71 | 0.500 | 12.7 | 0.750 | 19.1 |
| 133 | 36 | 1 | 5.00 | 127.00 | 1.059 | 26.89 | 2.469 | 62.71 | 0.500 | 12.7 | 0.750 | 19.1 |

Continued from page 33 and continued on page 35

Note: All dimensions are in inches and millimeters (inch/mm). For complete dimensions, see the applicable Military Specification. Cable entry is defined as the envelope area of the cable or wire bundle. It is not intended for inspection criteria.

AS85049/11 Series Environmental backshell - Aluminum straight

Dimensions

| Dash number | Shell size | Style | B $\pm 0.125/3.17$ | | C reference | | Ø D maxi | | Cable entry mini | | Cable entry maxi | |
|-------------|------------|-------|--------------------|--------|-------------|-------|----------|-------|------------------|------|------------------|------|
| | | | inch | mm | inch | mm | inch | mm | inch | mm | inch | mm |
| 134 | 40 | 1 | 4.00 | 101.6 | 1.059 | 26.89 | 2.719 | 69.06 | 0.500 | 12.7 | 0.750 | 19.1 |
| 135 | 40 | 1 | 5.00 | 127.00 | 1.059 | 26.89 | 2.719 | 69.06 | 0.500 | 12.7 | 0.750 | 19.1 |
| 136 | 10 | 1 | 2.00 | 50.80 | 1.027 | 26.08 | 0.734 | 18.64 | 0.250 | 6.4 | 0.375 | 9.5 |
| 137 | 10 | 1 | 3.00 | 76.19 | 1.027 | 26.08 | 0.734 | 18.64 | 0.250 | 6.4 | 0.375 | 9.5 |
| 138 | 12 | 1 | 2.00 | 50.80 | 1.027 | 26.08 | 0.858 | 21.79 | 0.350 | 8.9 | 0.500 | 12.7 |
| 139 | 12 | 1 | 3.00 | 76.19 | 1.027 | 26.08 | 0.858 | 21.79 | 0.350 | 8.9 | 0.500 | 12.7 |
| 140 | 20 | 1 | 3.00 | 76.19 | 1.156 | 29.36 | 1.345 | 34.16 | 0.625 | 15.9 | 0.904 | 23.0 |
| 141 | 20 | 1 | 4.00 | 101.6 | 1.156 | 29.36 | 1.345 | 34.16 | 0.625 | 15.9 | 0.904 | 23.0 |
| 142 | 22 | 1 | 3.00 | 76.19 | 1.375 | 34.92 | 1.468 | 37.28 | 0.875 | 22.2 | 1.029 | 26.1 |
| 143 | 22 | 1 | 4.00 | 101.6 | 1.375 | 34.92 | 1.468 | 37.28 | 0.875 | 22.2 | 1.029 | 26.1 |
| 144 | 24 | 1 | 3.00 | 76.19 | 1.375 | 34.92 | 1.593 | 40.46 | 0.875 | 22.2 | 1.144 | 29.1 |
| 145 | 24 | 1 | 4.00 | 101.6 | 1.375 | 34.92 | 1.593 | 40.46 | 0.875 | 22.2 | 1.144 | 29.1 |
| 146 | 36 | 1 | 4.00 | 101.6 | 1.830 | 45.48 | 2.469 | 62.71 | 1.437 | 36.5 | 1.840 | 46.7 |
| 147 | 36 | 1 | 5.00 | 127.00 | 1.830 | 45.48 | 2.469 | 62.71 | 1.437 | 36.5 | 1.840 | 46.7 |
| 148 | 36 | 1 | 4.00 | 101.6 | 1.156 | 29.36 | 2.469 | 62.71 | 0.625 | 15.9 | 0.937 | 23.8 |
| 149 | 36 | 1 | 5.00 | 127.00 | 1.156 | 29.36 | 2.469 | 62.71 | 0.625 | 15.9 | 0.937 | 23.8 |
| 150 | 14 | 1 | 2.00 | 50.80 | 1.027 | 26.08 | 0.984 | 24.99 | 0.125 | 3.2 | 0.312 | 7.9 |
| 151 | 14 | 1 | 3.00 | 76.19 | 1.027 | 26.08 | 0.984 | 24.99 | 0.125 | 3.2 | 0.312 | 7.9 |
| 152 | 16 | 1 | 2.00 | 50.80 | 1.027 | 26.08 | 1.112 | 28.24 | 0.125 | 3.2 | 0.312 | 7.9 |
| 153 | 16 | 1 | 3.00 | 76.19 | 1.027 | 26.08 | 1.112 | 28.24 | 0.125 | 3.2 | 0.312 | 7.9 |
| 154 | 44 | 1 | 4.00 | 101.6 | 1.156 | 29.36 | 2.969 | 75.41 | 0.625 | 15.9 | 0.937 | 23.8 |
| 155 | 44 | 1 | 5.00 | 127.00 | 1.156 | 29.36 | 2.969 | 75.41 | 0.625 | 15.9 | 0.937 | 23.8 |
| 156 | 40 | 1 | 4.00 | 101.6 | 1.156 | 29.36 | 2.719 | 69.06 | 0.625 | 15.9 | 0.937 | 23.8 |
| 157 | 40 | 1 | 5.00 | 127.00 | 1.156 | 29.36 | 2.719 | 69.06 | 0.625 | 15.9 | 0.937 | 23.8 |

Continued from page 34

Note: All dimensions are in inches and millimeters (inch/mm). For complete dimensions, see the applicable Military Specification. Cable entry is defined as the envelope area of the cable or wire bundle. It is not intended for inspection criteria.

AS85049/14 Series Grommet nut - Aluminum, straight

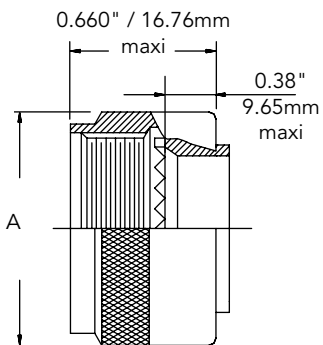
For connectors:

- MIL-DTL-38999 Series III & IV

Ordering information

| | | | | |
|--|------------|---|----|---|
| Basic Series | AS85049/14 | S | 25 | W |
| Self-locking option | | | | |
| S: Self-locking, detented - utilizes an audible detented anti-decoupling device. | | | | |
| N: Non self-locking | | | | |
| Shell size | | | | |
| 9, 11, 13, 15, 17, 19, 21, 23, 25 | | | | |
| Material and plating | | | | |
| N: Aluminum, electroless nickel | | | | |
| W: Aluminum, olive drab cadmium over electroless nickel, 1000 hours salt spray | | | | |

Dimensions



| Shell size | Ø A maxi | |
|------------|----------|-------|
| | inch | mm |
| 9 | 0.858 | 21.8 |
| 11 | 0.984 | 25.0 |
| 13 | 1.157 | 29.29 |
| 15 | 1.279 | 32.49 |
| 17 | 1.406 | 35.71 |
| 19 | 1.516 | 38.50 |
| 21 | 1.642 | 41.71 |
| 23 | 1.768 | 44.91 |
| 25 | 1.889 | 47.98 |

Note: All dimensions are in inches and millimeters (inch/mm). For complete dimensions, see the applicable Military Specification. Cable entry is defined as the envelope area of the cable or wire bundle. It is not intended for inspection criteria.

AS85049/15,16 Series Cable tie strain relief - Aluminum 45° and 90°

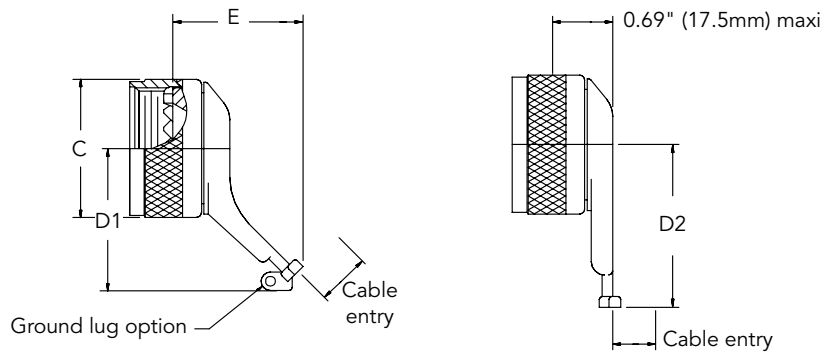
For connectors:

- MIL-DTL-38999 Series III & IV
- EN3645

Ordering information

| | | | | | |
|--|-----------------|-----------|----------|-----------|----------|
| Basic Series | AS85049/ | 15 | N | 11 | N |
| Angle | | | | | |
| 15: 45° | | | | | |
| 16: 90° | | | | | |
| Self-locking option | | | | | |
| G: With ground lug. | | | | | |
| H: Self-locking, non detented, with ground gug - utilizes an internal captivated anti-decoupling device (self-seating) with no audible clicking mechanism. | | | | | |
| N: Self-locking, non detented - utilizes an internal captivated anti-decoupling device (self-seating) with no audible clicking mechanism. | | | | | |
| S: Self-locking detented. | | | | | |
| Shell size | | | | | |
| 9, 11, 13, 15, 17, 19, 21, 23, 25 | | | | | |
| Material and plating | | | | | |
| N: Aluminum, electroless nickel | | | | | |
| W: Aluminum, olive drab cadmium over electroless nickel, 1000 hours salt spray | | | | | |

Dimensions



| Shell size | Ø C maxi | | D1 maxi | | D2 maxi | | Cable entry maxi | | E maxi | |
|------------|----------|------|---------|------|---------|------|------------------|------|--------|------|
| | inch | mm | inch | mm | inch | mm | inch | mm | inch | mm |
| 9 | 0.858 | 21.8 | 0.88 | 22.4 | 1.220 | 31.0 | 0.264 | 6.7 | 1.030 | 26.2 |
| 11 | 0.984 | 25.0 | 0.88 | 22.4 | 1.290 | 32.8 | 0.392 | 10.0 | 1.030 | 26.2 |
| 13 | 1.160 | 29.5 | 0.94 | 23.9 | 1.620 | 41.1 | 0.506 | 12.9 | 1.030 | 26.2 |
| 15 | 1.280 | 32.5 | 1.25 | 31.8 | 1.660 | 42.2 | 0.631 | 16.0 | 1.090 | 27.7 |
| 17 | 1.410 | 35.8 | 1.31 | 33.3 | 1.720 | 43.7 | 0.756 | 19.2 | 1.110 | 28.2 |
| 19 | 1.520 | 38.6 | 1.38 | 35.1 | 1.720 | 43.7 | 0.845 | 21.5 | 1.210 | 30.7 |
| 21 | 1.640 | 41.7 | 1.50 | 38.1 | 1.790 | 45.5 | 0.970 | 24.6 | 1.260 | 32.0 |
| 23 | 1.770 | 45.0 | 1.69 | 42.9 | 1.850 | 47.0 | 1.095 | 27.5 | 1.300 | 33.0 |
| 25 | 1.890 | 48.0 | 1.75 | 44.5 | 1.910 | 48.5 | 1.220 | 31.0 | 1.340 | 34.0 |

Note: All dimensions are in inches and millimeters (inch/mm). For complete dimensions, see the applicable Military Specification. Cable entry is defined as the envelope area of the cable or wire bundle. It is not intended for inspection criteria.

AS85049/17 Series

EMI/RFI environmental backshell - Aluminum straight

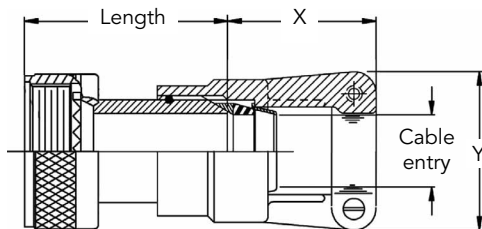
For connectors:

- MIL-DTL-38999 Series I & II

Ordering information

| | | | | | | | | | | | | | | | | | | | | | | | | | | | | | | | | | | |
|-----------------------|--|--|----|----|----|----|----|----|----|--|--|--------------------|----|----|----|----|----|----|----|----|----|-----------------------|----|----|----|----|----|----|----|----|----|--|--|--|
| Basic Series | | AS85049/17 | | | | | | | | | | 24 | W | 10 | | | | | | | | | | | | | | | | | | | | |
| Dash number | | <table border="1"> <tr> <td>Shell size 38999 I</td> <td>09</td><td>11</td><td>13</td><td>15</td><td>17</td><td>19</td><td>21</td><td>23</td><td>25</td> </tr> <tr> <td>= Shell size 38999 II</td> <td>08</td><td>10</td><td>12</td><td>14</td><td>16</td><td>18</td><td>20</td><td>22</td><td>24</td> </tr> </table> | | | | | | | | | | Shell size 38999 I | 09 | 11 | 13 | 15 | 17 | 19 | 21 | 23 | 25 | = Shell size 38999 II | 08 | 10 | 12 | 14 | 16 | 18 | 20 | 22 | 24 | | | |
| Shell size 38999 I | 09 | 11 | 13 | 15 | 17 | 19 | 21 | 23 | 25 | | | | | | | | | | | | | | | | | | | | | | | | | |
| = Shell size 38999 II | 08 | 10 | 12 | 14 | 16 | 18 | 20 | 22 | 24 | | | | | | | | | | | | | | | | | | | | | | | | | |
| Material and plating | <p>N: Aluminum, electroless nickel</p> <p>W: Aluminum, olive drab cadmium over electroless nickel, 1000 hours salt spray</p> | | | | | | | | | | | | | | | | | | | | | | | | | | | | | | | | | |
| Clamp size | 01, 02, 03, 04, 05, 06, 07, 08, 09, 10: See table below | | | | | | | | | | | | | | | | | | | | | | | | | | | | | | | | | |
| Length code | <p>empty: Standard length - see table below</p> <p>A, B, C: See table below</p> | | | | | | | | | | | | | | | | | | | | | | | | | | | | | | | | | |

Dimensions



Length code

| Code | Length $\pm 0.32"/0.80$ | |
|----------|-------------------------|-------|
| | inch | mm |
| Standard | 1.5 | 38.1 |
| A | 2.5 | 63.5 |
| B | 3.5 | 88.9 |
| C | 4.5 | 114.3 |

Clamp size

| Dash number | Clamp size | |
|-------------|------------|------|
| | mini | maxi |
| 08 | 01 | 02 |
| 10 | 01 | 03 |
| 12 | 02 | 04 |
| 14 | 02 | 05 |
| 16 | 02 | 06 |
| 18 | 03 | 07 |
| 20 | 03 | 08 |
| 22 | 03 | 09 |
| 24 | 04 | 10 |

| Clamp size | Y maxi | | X maxi | | Cable entry mini | | Cable entry maxi | |
|------------|--------|-------|--------|-------|------------------|-------|------------------|-------|
| | inch | mm | inch | mm | inch | mm | inch | mm |
| 01 | 0.781 | 19.84 | 1.250 | 31.75 | 0.062 | 1.57 | 0.125 | 3.18 |
| 02 | 0.969 | 24.61 | | | 0.125 | 3.18 | 0.250 | 6.35 |
| 03 | 1.062 | 26.97 | | | 0.250 | 6.35 | 0.375 | 9.53 |
| 04 | 1.156 | 29.36 | | | 0.375 | 9.53 | 0.500 | 12.70 |
| 05 | 1.250 | 31.75 | 1.312 | 33.32 | 0.500 | 12.70 | 0.625 | 15.88 |
| 06 | 1.375 | 34.93 | 1.375 | 34.93 | 0.625 | 15.88 | 0.750 | 19.05 |
| 07 | 1.500 | 38.10 | 1.500 | 38.10 | 0.750 | 19.05 | 0.875 | 22.23 |
| 08 | 1.625 | 41.28 | 1.625 | 41.28 | 0.875 | 22.23 | 1.000 | 25.40 |
| 09 | 1.750 | 44.45 | | | 1.000 | 25.40 | 1.125 | 28.58 |
| 10 | 1.875 | 47.63 | | | 1.125 | 28.58 | 1.250 | 31.75 |

Note: All dimensions are in inches and millimeters (inch/mm). For complete dimensions, see the applicable Military Specification. Cable entry is defined as the envelope area of the cable or wire bundle. It is not intended for inspection criteria.

AS85049/18 Series

EMI/RFI environmental backshell - Aluminum straight

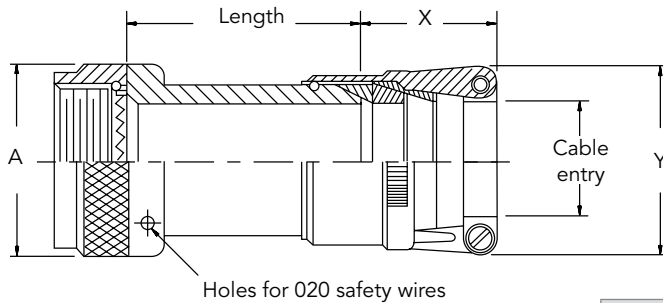
For connectors:

- MIL-DTL-38999 Series III & IV

Ordering information

| | | | | |
|-----------------------------|---|----|---|----|
| Basic Series | AS85049/18 | 25 | W | 10 |
| Dash number | 09, 11, 13, 15, 17, 19, 21, 23, 25 | | | |
| Material and plating | N: Aluminum, electroless nickel W: Aluminum, olive drab cadmium over electroless nickel, 1000 hours salt spray | | | |
| Clamp size | 01, 02, 03, 04, 05, 06, 07, 08, 09, 10: See table below | | | |
| Length code | empty: Standard length - see table below A, B, C: See table below | | | |

Dimensions



Length code

| Code | Length $\pm 0.32 / 0.80$ | |
|----------|--------------------------|-------|
| | inch | mm |
| Standard | 1.5 | 38.1 |
| A | 2.5 | 63.5 |
| B | 3.5 | 88.9 |
| C | 4.5 | 114.3 |

Clamp size

| Shell size | Clamp size | | Ø A maxi | |
|------------|------------|------|----------|------|
| | mini | maxi | inch | mm |
| 9 | 01 | 02 | 0.75 | 19.1 |
| 11 | 01 | 03 | 0.85 | 21.6 |
| 13 | 02 | 04 | 1.00 | 25.4 |
| 15 | 02 | 05 | 1.15 | 29.2 |
| 17 | 02 | 06 | 1.25 | 31.8 |
| 19 | 03 | 07 | 1.40 | 35.6 |
| 21 | 03 | 08 | 1.55 | 39.4 |
| 23 | 03 | 09 | 1.65 | 41.9 |
| 25 | 04 | 10 | 1.85 | 47.0 |

| Clamp size | Cable entry | | | | X maxi | | Y maxi | |
|------------|-------------|------|-------|------|--------|-------|--------|-------|
| | mini | | maxi | | inch | mm | inch | mm |
| | inch | mm | inch | mm | | | | |
| 01 | 0.062 | 1.6 | 0.125 | 3.2 | 1.250 | 31.75 | 0.800 | 20.3 |
| 02 | 0.125 | 3.2 | 0.250 | 6.4 | 1.250 | 31.75 | 1.000 | 25.4 |
| 03 | 0.250 | 6.4 | 0.375 | 9.5 | 1.250 | 31.75 | 1.100 | 27.9 |
| 04 | 0.375 | 9.5 | 0.500 | 12.7 | 1.250 | 31.75 | 1.200 | 30.5 |
| 05 | 0.500 | 12.7 | 0.625 | 15.9 | 1.350 | 34.29 | 1.250 | 31.8 |
| 06 | 0.625 | 15.9 | 0.750 | 19.1 | 1.375 | 34.93 | 1.400 | 35.6 |
| 07 | 0.750 | 19.0 | 0.875 | 22.2 | 1.500 | 38.10 | 1.500 | 38.1 |
| 08 | 0.875 | 22.2 | 1.000 | 25.4 | 1.625 | 41.28 | 1.650 | 41.98 |
| 09 | 1.000 | 25.4 | 1.125 | 28.6 | 1.625 | 41.28 | 1.750 | 44.5 |
| 10 | 1.125 | 28.6 | 1.250 | 31.8 | 1.625 | 41.28 | 1.900 | 48.3 |

Note: All dimensions are in inches and millimeters (inch/mm). For complete dimensions, see the applicable Military Specification. Cable entry is defined as the envelope area of the cable or wire bundle. It is not intended for inspection criteria.

AS85049/19 Series

EMI/RFI non-environmental backshell - Aluminum straight

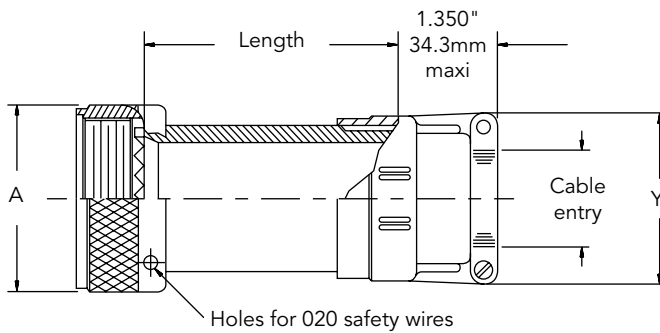
For connectors:

- MIL-DTL-38999 Series III & IV
- EN3645

Ordering information

| | | | | | |
|-----------------------------|---|----|---|----|---|
| Basic Series | AS85049/19 | 11 | W | 10 | B |
| Shell size | 9, 11, 13, 15, 16, 17, 19, 21, 23, 25 | | | | |
| Material and plating | N: Aluminum, electroless nickel W: Aluminum, olive drab cadmium over electroless nickel, 1000 hours salt spray | | | | |
| Clamp size | 01, 02, 03, 04, 05, 06, 07, 08, 09, 10: See table below | | | | |
| Length code | empty: Standard length - see table below A, B, C: See table below | | | | |

Dimensions



Length code

| Code | Length $\pm 0.32"/0.80$ | |
|----------|-------------------------|-------|
| | inch | mm |
| Standard | 1.5 | 38.1 |
| A | 2.5 | 63.5 |
| B | 3.5 | 88.9 |
| C | 4.5 | 114.3 |

Clamp size

| Shell size | Clamp size | | Ø A maxi | |
|------------|------------|------|----------|------|
| | mini | maxi | inch | mm |
| 9 | 01 | 02 | 0.75 | 19.1 |
| 11 | 01 | 03 | 0.85 | 21.6 |
| 13 | 02 | 04 | 1.00 | 25.4 |
| 15 | 02 | 05 | 1.10 | 27.9 |
| 17 | 02 | 06 | 1.25 | 31.8 |
| 19 | 03 | 07 | 1.40 | 35.6 |
| 21 | 03 | 08 | 1.50 | 38.1 |
| 23 | 03 | 09 | 1.65 | 41.9 |
| 25 | 04 | 10 | 1.75 | 44.5 |

| Clamp size | Cable entry | | | | Y maxi | |
|------------|-------------|------|-------|------|---------|-------|
| | mini | | maxi | | inch mm | |
| | inch | mm | inch | mm | | |
| 01 | 0.062 | 1.6 | 0.125 | 3.2 | 0.800 | 20.3 |
| 02 | 0.125 | 3.2 | 0.250 | 6.4 | 1.000 | 25.4 |
| 03 | 0.250 | 6.4 | 0.375 | 9.5 | 1.100 | 27.9 |
| 04 | 0.312 | 7.9 | 0.500 | 12.7 | 1.200 | 30.5 |
| 05 | 0.437 | 11.1 | 0.625 | 15.9 | 1.250 | 31.8 |
| 06 | 0.562 | 14.3 | 0.750 | 19.1 | 1.400 | 35.6 |
| 07 | 0.687 | 17.4 | 0.875 | 22.2 | 1.500 | 38.1 |
| 08 | 0.812 | 20.6 | 1.000 | 25.4 | 1.650 | 41.98 |
| 09 | 0.937 | 23.8 | 1.125 | 28.6 | 1.750 | 44.5 |
| 10 | 1.062 | 27.0 | 1.250 | 31.8 | 1.900 | 48.3 |

Note: All dimensions are in inches and millimeters (inch/mm). For complete dimensions, see the applicable Military Specification. Cable entry is defined as the envelope area of the cable or wire bundle. It is not intended for inspection criteria.

AS85049/20 Series EMI/RFI crimp ring backshell - Aluminum straight

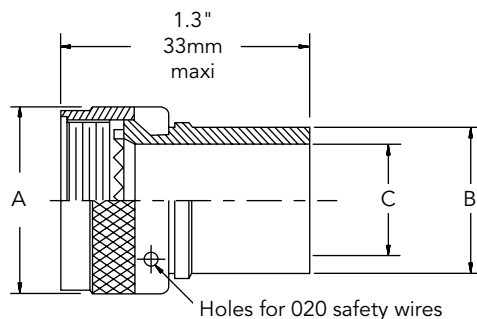
For connectors:

- MIL-DTL-38999 Series III & IV
- EN3645

Ordering information

| | | | |
|----------------------|---|----|---|
| Basic Series | AS85049/20 | 11 | W |
| Shell size | 9, 11, 13, 15, 16, 17, 19, 21, 23, 25 | | |
| Material and plating | N: Aluminum, electroless nickel W: Aluminum, olive drab cadmium over electroless nickel, 1000 hours salt spray | | |

Dimensions



Crimp ring see page 53

| Shell size | Ø A maxi | | Ø B maxi | | Ø C ±.015"/.04 | | Crimp ring reference |
|------------|----------|------|----------|------|----------------|------|----------------------|
| | inch | mm | inch | mm | inch | mm | |
| 9 | 0.750 | 19.1 | 0.347 | 8.8 | 0.250 | 6.4 | -8 |
| 11 | 0.850 | 21.6 | 0.498 | 12.6 | 0.325 | 8.3 | -10 |
| 13 | 1.000 | 25.4 | 0.510 | 13.0 | 0.420 | 10.7 | -12 |
| 15 | 1.100 | 27.9 | 0.630 | 16.0 | 0.540 | 13.7 | -14 |
| 17 | 1.250 | 31.8 | 0.760 | 19.3 | 0.670 | 17.0 | -16 |
| 19 | 1.400 | 35.6 | 0.890 | 22.6 | 0.789 | 20.0 | -18 |
| 21 | 1.500 | 38.1 | 1.010 | 25.7 | 0.914 | 23.2 | -20 |
| 23 | 1.650 | 41.9 | 1.130 | 28.7 | 1.039 | 26.4 | -22 |
| 25 | 1.750 | 44.5 | 1.202 | 30.5 | 1.112 | 28.2 | -24 |

Note: All dimensions are in inches and millimeters (inch/mm). For complete dimensions, see the applicable Military Specification. Cable entry is defined as the envelope area of the cable or wire bundle. It is not intended for inspection criteria.

AS85049/21 Series

Non environmental backshell - Aluminum straight

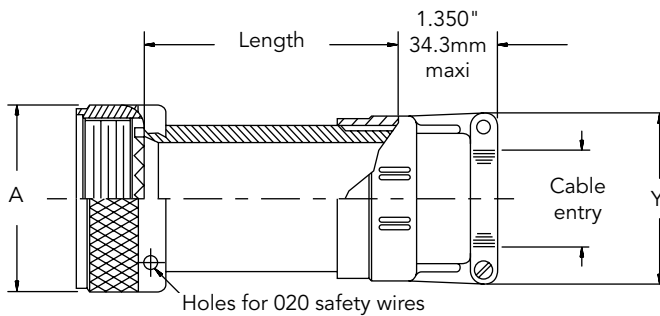
For connectors:

- MIL-DTL-38999 Series III & IV
- EN3645

Ordering information

| | | | | | |
|----------------------|--|----|---|----|---|
| Basic Series | AS85049/21 | 11 | A | 10 | B |
| Shell size | 9, 11, 13, 15, 17, 19, 21, 23, 25 | | | | |
| Material and plating | A: Aluminum, black anodize | | | | |
| Clamp size | 01, 02, 03, 04, 05, 06, 07, 08, 09, 10: See table below | | | | |
| Length code | empty: Standard length - see table below A, B, C: See table below | | | | |

Dimensions



Length code

| Code | Length $\pm 0.32"/0.80$ | |
|----------|-------------------------|-------|
| | inch | mm |
| Standard | 1.5 | 38.1 |
| A | 2.5 | 63.5 |
| B | 3.5 | 88.9 |
| C | 4.5 | 114.3 |

Clamp size

| Shell size | Clamp size | | Ø A maxi | |
|------------|------------|------|----------|------|
| | mini | maxi | inch | mm |
| 9 | 01 | 02 | 0.75 | 19.1 |
| 11 | 01 | 03 | 0.85 | 21.6 |
| 13 | 02 | 04 | 1.00 | 25.4 |
| 15 | 02 | 05 | 1.10 | 27.9 |
| 17 | 02 | 06 | 1.25 | 31.8 |
| 19 | 03 | 07 | 1.40 | 35.6 |
| 21 | 03 | 08 | 1.50 | 38.1 |
| 23 | 03 | 09 | 1.65 | 41.9 |
| 25 | 04 | 10 | 1.75 | 44.5 |

| Clamp size | Cable entry | | | | Y maxi | |
|------------|-------------|------|-------|------|--------|-------|
| | mini | | maxi | | Y maxi | |
| | inch | mm | inch | mm | inch | mm |
| 01 | 0.062 | 1.6 | 0.125 | 3.2 | 0.800 | 20.3 |
| 02 | 0.125 | 3.2 | 0.250 | 6.4 | 1.000 | 25.4 |
| 03 | 0.250 | 6.4 | 0.375 | 9.5 | 1.100 | 27.9 |
| 04 | 0.312 | 7.9 | 0.500 | 12.7 | 1.200 | 30.5 |
| 05 | 0.437 | 11.1 | 0.625 | 15.9 | 1.250 | 31.8 |
| 06 | 0.562 | 14.3 | 0.750 | 19.1 | 1.400 | 35.6 |
| 07 | 0.687 | 17.4 | 0.875 | 22.2 | 1.500 | 38.1 |
| 08 | 0.812 | 20.6 | 1.000 | 25.4 | 1.650 | 41.98 |
| 09 | 0.937 | 23.8 | 1.125 | 28.6 | 1.750 | 44.5 |
| 10 | 1.062 | 27.0 | 1.250 | 31.8 | 1.900 | 48.3 |

Note: All dimensions are in inches and millimeters (millimeters between brackets). For complete dimensions, see the applicable Military Specification. Cable entry is defined as the envelope area of the cable or wire bundle. It is not intended for inspection criteria.

AS85049/23 Series

EMI/RFI non-environmental backshell - Aluminum & stainless steel 45°

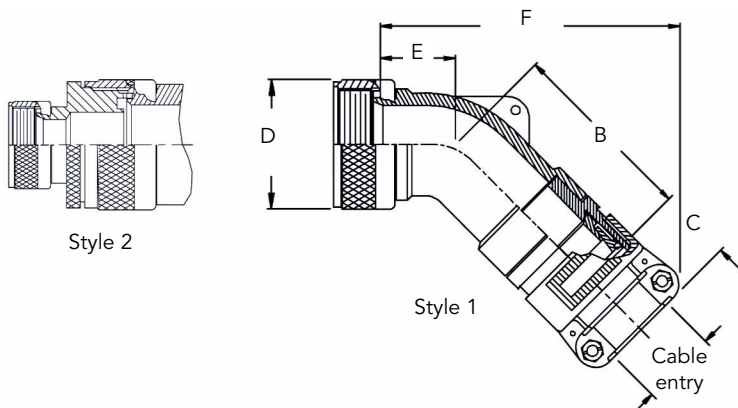
For connectors:

- AS50151 crimp
- EN2997 & EN3646
- MIL-DTL-26482 Series 2
- MIL-DTL-83723 Series 3

Ordering information

| | | | |
|---|-------------------|-----------|----------|
| Basic Series | AS85049/23 | 11 | W |
| Dash number 3 thru 75 | | | |
| Material and plating | | | |
| W: Aluminum, olive drab cadmium over electroless nickel, 1000 hours salt spray | | | |
| N: Aluminum, electroless nickel | | | |
| S: Stainless steel, passivated | | | |
| B: Stainless steel, black cadmium | | | |

Dimensions



| Dash number | Shell size | Style | B ±0.125"/3.17 | | C reference | | Ø D maxi | | E ±0.125"/3.17 | | F maxi | | Cable entry mini | | Cable entry maxi | |
|-------------|------------|-------|----------------|------|-------------|------|----------|-------|----------------|------|--------|-------|------------------|------|------------------|------|
| | | | inch | mm | inch | mm | inch | mm | inch | mm | inch | mm | inch | mm | inch | mm |
| 3 | 8 | 1 | 1.182 | 30.0 | 1.027 | 26.1 | 0.617 | 15.67 | 0.500 | 12.7 | 2.52 | 64.00 | 0.125 | 3.2 | 0.250 | 6.4 |
| 4 | 10 | 1 | 1.850 | 46.9 | 1.027 | 26.1 | 0.734 | 18.64 | 0.561 | 14.2 | 3.05 | 77.46 | 0.125 | 3.2 | 0.312 | 7.9 |
| 5 | 10 | 1 | 1.245 | 31.6 | 1.027 | 26.1 | 0.734 | 18.64 | 0.561 | 14.2 | 2.69 | 68.32 | 0.250 | 6.4 | 0.375 | 9.5 |
| 6 | 12 | 1 | 1.910 | 48.5 | 1.027 | 26.1 | 0.858 | 21.79 | 0.625 | 15.8 | 3.16 | 80.26 | 0.125 | 3.2 | 0.312 | 7.9 |
| 7 | 12 | 1 | 1.910 | 48.5 | 1.027 | 26.1 | 0.858 | 21.79 | 0.625 | 15.8 | 3.22 | 81.78 | 0.250 | 6.4 | 0.437 | 11.1 |
| 8 | 12 | 1 | 1.910 | 48.5 | 1.027 | 26.1 | 0.858 | 21.79 | 0.625 | 15.8 | 3.29 | 83.56 | 0.350 | 8.9 | 0.500 | 12.7 |
| 9 | 14 | 1 | 2.000 | 50.8 | 1.027 | 26.1 | 0.984 | 24.99 | 0.688 | 17.4 | 3.35 | 85.09 | 0.250 | 6.4 | 0.437 | 11.1 |
| 10 | 14 | 1 | 1.655 | 42.0 | 1.027 | 26.1 | 0.984 | 24.99 | 0.688 | 17.4 | 3.17 | 80.51 | 0.350 | 8.9 | 0.575 | 14.6 |
| 11 | 16 | 1 | 2.110 | 53.5 | 1.027 | 26.1 | 1.112 | 28.24 | 0.781 | 19.8 | 3.52 | 89.40 | 0.250 | 6.4 | 0.437 | 11.1 |
| 12 | 16 | 1 | 1.750 | 44.4 | 1.059 | 26.9 | 1.112 | 28.24 | 0.781 | 19.8 | 3.43 | 87.12 | 0.500 | 12.7 | 0.700 | 17.8 |
| 13 | 18 | 1 | 2.300 | 58.4 | 1.027 | 26.1 | 1.218 | 30.93 | 0.968 | 24.5 | 3.91 | 99.31 | 0.350 | 8.9 | 0.625 | 15.9 |

Continued on page 42 and 43

Note: All dimensions are in inches and millimeters (inch/mm). For complete dimensions, see the applicable Military Specification. Cable entry is defined as the envelope area of the cable or wire bundle. It is not intended for inspection criteria.

AS85049/23 Series (continued)
EMI/RFI non-environmental backshell - Aluminum & stainless steel 45°

Dimensions

| Dash number | Shell size | Style | B $\pm 0.125/3.17$ | | C maxi | | Ø D maxi | | E $\pm 0.125/3.17$ | | F maxi | | Cable entry mini | | Cable entry maxi | |
|-------------|------------|-------|--------------------|------|--------|------|----------|-------|--------------------|------|--------|--------|------------------|------|------------------|------|
| | | | inch | mm | inch | mm | inch | mm | inch | mm | inch | mm | inch | mm | inch | mm |
| 14 | 18 | 1 | 1.938 | 49.2 | 1.156 | 29.4 | 1.218 | 30.93 | 0.968 | 24.5 | 3.90 | 99.05 | 0.625 | 15.9 | 0.779 | 19.8 |
| 15 | 20 | 1 | 2.300 | 58.4 | 1.027 | 26.1 | 1.345 | 34.16 | 0.968 | 24.5 | 3.91 | 99.31 | 0.350 | 8.9 | 0.625 | 15.9 |
| 16 | 20 | 1 | 1.938 | 49.2 | 1.156 | 29.4 | 1.345 | 34.16 | 0.968 | 24.5 | 3.90 | 99.05 | 0.625 | 15.9 | 0.904 | 23.0 |
| 17 | 22 | 1 | 2.450 | 62.2 | 1.059 | 26.9 | 1.468 | 37.28 | 1.063 | 27.0 | 4.21 | 106.93 | 0.500 | 12.7 | 0.750 | 19.1 |
| 18 | 22 | 1 | 2.093 | 53.1 | 1.375 | 34.9 | 1.468 | 37.28 | 1.063 | 27.0 | 4.38 | 111.25 | 0.875 | 22.2 | 1.029 | 26.1 |
| 19 | 24 | 1 | 2.450 | 62.2 | 1.069 | 27.2 | 1.593 | 40.46 | 1.063 | 27.0 | 4.21 | 106.93 | 0.500 | 12.7 | 0.750 | 19.1 |
| 20 | 24 | 1 | 2.093 | 53.1 | 1.375 | 34.9 | 1.593 | 40.46 | 1.063 | 27.0 | 4.38 | 111.25 | 0.875 | 22.2 | 1.144 | 29.1 |
| 21 | 28 | 1 | 2.500 | 63.5 | 1.156 | 33.7 | 1.969 | 50.01 | 1.188 | 30.1 | 4.52 | 114.80 | 0.625 | 15.9 | 0.937 | 23.8 |
| 22 | 28 | 1 | 2.156 | 54.7 | 1.500 | 38.1 | 1.969 | 50.01 | 1.188 | 30.1 | 4.72 | 119.88 | 1.000 | 25.4 | 1.375 | 34.9 |
| 23 | 32 | 1 | 2.600 | 66.0 | 1.156 | 29.4 | 2.219 | 56.36 | 1.250 | 31.7 | 4.65 | 118.11 | 0.625 | 15.9 | 0.937 | 23.8 |
| 24 | 32 | 1 | 2.600 | 66.0 | 1.375 | 34.9 | 2.219 | 56.36 | 1.250 | 31.7 | 4.92 | 124.96 | 0.875 | 22.2 | 1.250 | 31.8 |
| 25 | 32 | 1 | 2.250 | 57.1 | 1.781 | 45.2 | 2.219 | 56.36 | 1.250 | 31.7 | 5.19 | 131.82 | 1.250 | 31.8 | 1.625 | 41.3 |
| 26 | 36 | 1 | 2.690 | 68.3 | 1.156 | 29.4 | 2.469 | 62.71 | 1.281 | 32.5 | 4.74 | 120.39 | 0.625 | 15.9 | 0.937 | 23.8 |
| 27 | 36 | 1 | 2.690 | 68.3 | 1.500 | 38.1 | 2.469 | 62.71 | 1.281 | 32.5 | 5.19 | 131.82 | 1.000 | 25.4 | 1.375 | 34.9 |
| 28 | 36 | 1 | 2.344 | 59.5 | 1.830 | 46.5 | 2.489 | 63.22 | 1.281 | 32.5 | 5.41 | 137.41 | 1.437 | 36.5 | 1.840 | 46.7 |
| 29 | 40 | 1 | 2.690 | 68.3 | 1.156 | 29.4 | 2.719 | 69.06 | 2.031 | 51.5 | 5.49 | 139.44 | 0.625 | 15.9 | 0.937 | 23.8 |
| 30 | 40 | 1 | 2.690 | 68.3 | 1.500 | 38.1 | 2.719 | 69.06 | 2.031 | 51.5 | 5.94 | 150.87 | 1.000 | 25.4 | 1.375 | 34.9 |
| 31 | 40 | 1 | 2.344 | 59.5 | 1.830 | 46.5 | 2.719 | 69.06 | 2.031 | 51.5 | 6.16 | 156.46 | 1.437 | 36.5 | 1.875 | 47.6 |
| 32 | 44 | 1 | 2.690 | 68.3 | 1.156 | 29.4 | 2.969 | 75.41 | 2.031 | 51.5 | 5.49 | 139.44 | 0.625 | 15.9 | 0.937 | 23.8 |
| 33 | 44 | 1 | 2.690 | 68.3 | 1.500 | 38.1 | 2.969 | 75.41 | 2.031 | 51.5 | 5.94 | 150.87 | 1.000 | 25.4 | 1.375 | 34.9 |
| 34 | 44 | 1 | 2.344 | 59.5 | 1.830 | 46.5 | 2.969 | 75.41 | 2.031 | 51.5 | 6.16 | 156.46 | 1.437 | 36.5 | 1.875 | 47.6 |
| 35 | 48 | 1 | 2.690 | 68.3 | 1.156 | 29.4 | 3.219 | 81.76 | 2.031 | 51.5 | 5.49 | 139.44 | 0.625 | 15.9 | 0.937 | 23.8 |
| 36 | 48 | 1 | 2.690 | 68.3 | 1.500 | 38.1 | 3.219 | 81.76 | 2.031 | 51.5 | 5.94 | 150.87 | 1.000 | 25.4 | 1.375 | 34.9 |
| 37 | 48 | 1 | 2.344 | 59.5 | 1.830 | 46.5 | 3.219 | 81.76 | 2.031 | 51.5 | 6.16 | 156.46 | 1.437 | 36.5 | 1.875 | 47.6 |
| 38 | 61 | 1 | 2.450 | 62.2 | 1.059 | 26.9 | 1.653 | 41.98 | 1.063 | 27.0 | 4.21 | 106.93 | 0.500 | 12.7 | 0.750 | 19.1 |
| 39 | 61 | 1 | 2.093 | 53.1 | 1.375 | 34.9 | 1.653 | 41.98 | 1.063 | 27.0 | 4.38 | 111.25 | 0.875 | 22.2 | 1.184 | 30.1 |
| 40 | 16 | 1 | 2.110 | 53.5 | 1.027 | 26.1 | 1.112 | 28.24 | 0.781 | 19.8 | 3.59 | 91.18 | 0.350 | 8.9 | 0.625 | 15.9 |
| 41 | 18 | 1 | 2.300 | 58.4 | 1.027 | 26.1 | 1.218 | 30.93 | 0.968 | 24.5 | 3.80 | 96.52 | 0.125 | 3.2 | 0.312 | 7.9 |
| 42 | 18 | 1 | 2.300 | 58.4 | 1.027 | 26.1 | 1.218 | 30.93 | 0.968 | 24.5 | 3.84 | 97.53 | 0.250 | 6.4 | 0.437 | 11.1 |
| 43 | 20 | 1 | 2.300 | 58.4 | 1.027 | 26.1 | 1.345 | 34.16 | 0.968 | 24.5 | 3.84 | 97.53 | 0.250 | 6.4 | 0.437 | 11.1 |
| 44 | 22 | 1 | 2.450 | 62.2 | 1.027 | 26.1 | 1.488 | 37.79 | 1.063 | 27.0 | 3.98 | 101.09 | 0.125 | 3.2 | 0.312 | 7.9 |
| 45 | 22 | 1 | 2.450 | 62.2 | 1.027 | 26.1 | 1.468 | 37.28 | 1.063 | 27.0 | 4.04 | 102.61 | 0.250 | 6.4 | 0.437 | 11.1 |
| 46 | 24 | 1 | 2.450 | 62.2 | 1.027 | 26.1 | 1.593 | 40.46 | 1.063 | 27.0 | 4.11 | 104.39 | 0.350 | 8.9 | 0.625 | 15.9 |
| 47 | 36 | 1 | 2.690 | 68.3 | 1.059 | 26.9 | 2.469 | 62.71 | 1.281 | 32.5 | 4.60 | 116.83 | 0.500 | 12.7 | 0.750 | 19.1 |
| 48 | 40 | 1 | 2.690 | 68.3 | 1.059 | 26.9 | 2.719 | 69.06 | 2.031 | 51.5 | 5.35 | 135.89 | 0.500 | 12.7 | 0.750 | 19.1 |
| 49 | 10 | 2 | 1.910 | 48.5 | 1.027 | 26.1 | 0.734 | 18.64 | 1.375 | 34.9 | 3.97 | 100.83 | 0.250 | 6.1 | 0.437 | 11.1 |

Continued from page 35 and continued on page 37

Note: All dimensions are in inches and millimeters (inch/mm). For complete dimensions, see the applicable Military Specification. Cable entry is defined as the envelope area of the cable or wire bundle. It is not intended for inspection criteria.

AS85049/23 Series (continued)
EMI/RFI non-environmental backshell - Aluminum & stainless steel 45°

Dimensions

| Dash number | Shell size | Style | B $\pm 0.125/3.17$ | | C maxi | | Ø D maxi | | E $\pm 0.125/3.17$ | | F maxi | | Cable entry mini | | Cable entry maxi | |
|-------------|------------|-------|--------------------|------|--------|------|----------|-------|--------------------|------|--------|--------|------------------|------|------------------|------|
| | | | inch | mm | inch | mm | inch | mm | inch | mm | inch | mm | inch | mm | inch | mm |
| 50 | 14 | 2 | 2.300 | 58.4 | 1.059 | 26.9 | 0.984 | 24.99 | 1.717 | 43.6 | 4.76 | 120.90 | 0.500 | 12.7 | 0.750 | 19.1 |
| 51 | 16 | 2 | 2.450 | 62.2 | 1.156 | 29.4 | 1.112 | 28.24 | 1.812 | 46.0 | 5.11 | 129.79 | 0.625 | 15.9 | 0.937 | 23.8 |
| 52 | 18 | 1 | 2.300 | 58.4 | 1.059 | 26.9 | 1.218 | 30.93 | 0.968 | 24.5 | 4.01 | 101.85 | 0.500 | 12.7 | 0.750 | 19.1 |
| 54 | 20 | 1 | 2.300 | 58.4 | 1.059 | 26.9 | 1.345 | 34.16 | 0.968 | 24.5 | 4.01 | 101.85 | 0.500 | 12.7 | 0.750 | 19.1 |
| 55 | 20 | 2 | 2.500 | 63.5 | 1.375 | 34.9 | 1.345 | 34.16 | 1.936 | 49.1 | 5.54 | 140.71 | 0.875 | 22.2 | 1.250 | 31.8 |
| 56 | 22 | 1 | 2.450 | 62.2 | 1.027 | 26.1 | 1.468 | 37.28 | 1.063 | 27.0 | 4.11 | 104.39 | 0.350 | 8.9 | 0.625 | 15.9 |
| 57 | 22 | 1 | 2.450 | 62.2 | 1.156 | 29.4 | 1.468 | 37.28 | 1.063 | 27.0 | 4.36 | 110.74 | 0.625 | 15.9 | 0.937 | 23.8 |
| 58 | 22 | 2 | 2.500 | 63.5 | 1.375 | 34.9 | 1.468 | 37.28 | 1.936 | 49.1 | 5.54 | 140.71 | 0.875 | 22.2 | 1.250 | 31.8 |
| 59 | 24 | 1 | 2.450 | 62.2 | 1.156 | 29.4 | 1.593 | 40.46 | 1.063 | 27.0 | 4.36 | 110.74 | 0.625 | 15.9 | 0.937 | 23.8 |
| 60 | 28 | 1 | 2.500 | 63.5 | 1.059 | 26.9 | 1.969 | 50.01 | 1.188 | 30.1 | 4.37 | 110.99 | 0.500 | 12.7 | 0.750 | 19.1 |
| 61 | 28 | 1 | 2.500 | 63.5 | 1.375 | 34.9 | 1.969 | 50.01 | 1.188 | 30.1 | 4.79 | 121.66 | 0.875 | 22.2 | 1.250 | 31.8 |
| 62 | 32 | 1 | 2.600 | 66.0 | 1.500 | 38.1 | 2.219 | 56.36 | 1.250 | 31.7 | 5.10 | 129.54 | 1.000 | 25.4 | 1.375 | 34.9 |
| 63 | 36 | 1 | 2.690 | 68.3 | 1.375 | 34.9 | 2.469 | 62.71 | 1.281 | 32.5 | 5.02 | 127.50 | 0.875 | 22.2 | 1.250 | 31.8 |
| 64 | 36 | 1 | 2.690 | 68.3 | 1.781 | 45.2 | 2.469 | 62.71 | 1.281 | 32.5 | 5.54 | 140.71 | 1.250 | 31.8 | 1.625 | 41.3 |
| 65 | 40 | 1 | 2.690 | 68.3 | 1.375 | 34.9 | 2.719 | 69.06 | 2.031 | 51.5 | 5.77 | 146.55 | 0.875 | 22.2 | 1.250 | 31.8 |
| 66 | 40 | 1 | 2.690 | 68.3 | 1.781 | 45.2 | 2.719 | 69.06 | 2.031 | 51.5 | 6.29 | 159.76 | 1.250 | 31.8 | 1.625 | 41.3 |
| 67 | 44 | 1 | 2.690 | 68.3 | 1.375 | 34.9 | 2.969 | 75.41 | 2.031 | 51.5 | 5.77 | 146.55 | 0.875 | 22.2 | 1.250 | 31.8 |
| 68 | 44 | 1 | 2.690 | 68.3 | 1.781 | 45.2 | 2.969 | 75.41 | 2.031 | 51.5 | 6.29 | 159.76 | 1.250 | 31.8 | 1.625 | 41.3 |
| 69 | 48 | 1 | 2.690 | 68.3 | 1.375 | 34.9 | 3.219 | 81.76 | 2.031 | 51.5 | 5.77 | 146.55 | 0.875 | 22.2 | 1.250 | 31.8 |
| 70 | 48 | 1 | 2.690 | 68.3 | 1.781 | 45.2 | 3.219 | 81.76 | 2.031 | 51.5 | 6.29 | 159.76 | 1.250 | 31.8 | 1.625 | 41.3 |
| 71 | 12 | 2 | 2.110 | 53.5 | 1.027 | 26.1 | 0.858 | 21.79 | 1.529 | 38.8 | 4.33 | 109.98 | 0.350 | 8.9 | 0.625 | 15.9 |
| 72 | 18 | 2 | 2.450 | 62.2 | 1.156 | 29.4 | 1.218 | 30.93 | 1.812 | 46.0 | 5.10 | 129.54 | 0.625 | 15.9 | 0.937 | 23.8 |
| 73 | 24 | 2 | 2.500 | 63.5 | 1.375 | 34.9 | 1.593 | 40.46 | 1.936 | 49.1 | 5.53 | 140.46 | 0.875 | 22.2 | 1.250 | 31.8 |
| 74 | 14 | 1 | 2.000 | 50.8 | 1.027 | 26.1 | 0.984 | 24.99 | 0.688 | 17.4 | 3.28 | 83.31 | 0.125 | 3.2 | 0.312 | 7.9 |
| 75 | 16 | 1 | 2.110 | 53.5 | 1.027 | 26.1 | 1.112 | 28.24 | 0.781 | 19.8 | 3.45 | 87.63 | 0.125 | 3.2 | 0.312 | 7.9 |

Continued from page 35 and 36

Note: All dimensions are in inches and millimeters (inch/mm). For complete dimensions, see the applicable Military Specification. Cable entry is defined as the envelope area of the cable or wire bundle. It is not intended for inspection criteria.

AS85049/24 Series

EMI/RFI non-environmental backshell - Aluminum & stainless steel 90°

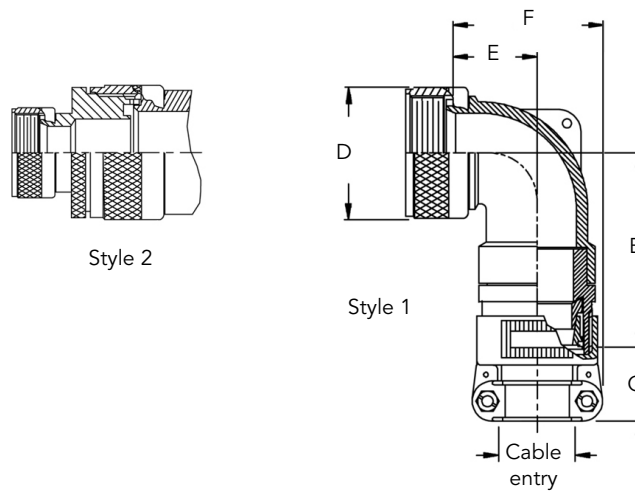
For connectors:

- AS50151 crimp
- EN2997 & EN3646
- MIL-DTL-26482 Series 2
- MIL-DTL-83723 Series 3

Ordering information

| | | | |
|--|-------------------|-----------|----------|
| Basic Series | AS85049/24 | 11 | W |
| Dash number 3 thru 75 | | | |
| Material and plating | | | |
| W: Aluminum, olive drab cadmium over electroless nickel, 1000 hours salt spray | | | |
| N: Aluminum, electroless nickel | | | |
| S: Stainless steel, passivated | | | |
| B: Stainless steel, black cadmium | | | |

Dimensions



| Dash number | Shell size | Style | B ^{±.125"/3.1} | | C ref. | | Ø D maxi | | E ^{±.125"/3.1} | | F maxi | | Cable entry mini | | Cable entry maxi | |
|-------------|------------|-------|-------------------------|------|--------|------|----------|------|-------------------------|------|--------|------|------------------|------|------------------|------|
| | | | inch | mm | inch | mm | inch | mm | inch | mm | inch | mm | inch | mm | inch | mm |
| 3 | 8 | 1 | 1.200 | 30.4 | 1.027 | 26.0 | 0.617 | 15.6 | 0.541 | 13.7 | 1.09 | 27.6 | 0.125 | 3.1 | 0.250 | 6.3 |
| 4 | 10 | 1 | 1.920 | 48.7 | 1.027 | 26.0 | 0.734 | 18.6 | 0.636 | 16.1 | 1.18 | 29.9 | 0.125 | 3.1 | 0.312 | 7.9 |
| 5 | 10 | 1 | 1.320 | 33.5 | 1.027 | 26.0 | 0.734 | 18.6 | 0.636 | 16.1 | 1.27 | 32.2 | 0.250 | 6.3 | 0.375 | 9.5 |
| 6 | 12 | 1 | 1.940 | 49.2 | 1.027 | 26.0 | 0.858 | 21.7 | 0.641 | 16.2 | 1.18 | 29.9 | 0.125 | 3.1 | 0.312 | 7.9 |
| 7 | 12 | 1 | 1.940 | 49.2 | 1.027 | 26.0 | 0.858 | 21.7 | 0.641 | 16.2 | 1.28 | 32.5 | 0.250 | 6.3 | 0.437 | 11.0 |
| 8 | 12 | 1 | 1.335 | 33.9 | 1.027 | 26.0 | 0.858 | 21.7 | 0.641 | 16.2 | 1.37 | 34.7 | 0.350 | 8.8 | 0.500 | 12.7 |
| 9 | 14 | 1 | 2.010 | 51.0 | 1.027 | 26.0 | 0.984 | 24.9 | 0.741 | 18.8 | 1.38 | 35.0 | 0.250 | 6.3 | 0.437 | 11.0 |
| 10 | 14 | 1 | 1.655 | 42.0 | 1.027 | 26.0 | 0.984 | 24.9 | 0.741 | 18.8 | 1.47 | 37.3 | 0.350 | 8.8 | 0.575 | 14.6 |
| 11 | 16 | 1 | 2.100 | 53.3 | 1.027 | 26.0 | 1.112 | 28.2 | 0.926 | 23.5 | 1.59 | 40.3 | 0.250 | 6.3 | 0.437 | 11.0 |
| 12 | 16 | 1 | 1.745 | 44.3 | 1.059 | 26.8 | 1.112 | 28.2 | 0.926 | 23.5 | 1.77 | 44.9 | 0.500 | 12.7 | 0.700 | 17.7 |

Continued on page 45 and 46

Note: All dimensions are in inches and millimeters (inch/mm). For complete dimensions, see the applicable Military Specification. Cable entry is defined as the envelope area of the cable or wire bundle. It is not intended for inspection criteria.

AS85049/24 Series (continued)
EMI/RFI non-environmental backshell - Aluminum & stainless steel 90°

Dimensions

| Dash number | Shell size | Style | B ^{±.125"/3.1} | | C | | Ø D maxi | | E ^{±.125"/3.1} | | F maxi | | Cable entry mini | | Cable entry maxi | |
|-------------|------------|-------|-------------------------|------|-------|------|----------|------|-------------------------|------|--------|-------|------------------|------|------------------|------|
| | | | inch | mm | inch | mm | inch | mm | inch | mm | inch | mm | inch | mm | inch | mm |
| 13 | 18 | 1 | 2.270 | 57.6 | 1.027 | 26.0 | 1.218 | 30.9 | 1.016 | 25.8 | 1.80 | 45.7 | 0.350 | 8.8 | 0.625 | 15.8 |
| 14 | 18 | 1 | 1.920 | 48.7 | 1.156 | 29.3 | 1.218 | 30.9 | 1.016 | 25.8 | 1.97 | 50.0 | 0.625 | 15.8 | 0.779 | 19.7 |
| 15 | 20 | 1 | 2.270 | 57.6 | 1.027 | 26.0 | 1.345 | 34.1 | 1.016 | 25.8 | 1.80 | 45.7 | 0.350 | 8.8 | 0.625 | 15.8 |
| 16 | 20 | 1 | 1.920 | 48.7 | 1.156 | 29.3 | 1.345 | 34.1 | 1.016 | 25.8 | 1.97 | 50.0 | 0.625 | 15.8 | 0.904 | 22.9 |
| 17 | 22 | 1 | 2.380 | 60.4 | 1.059 | 26.8 | 1.468 | 37.2 | 1.166 | 29.6 | 2.11 | 53.5 | 0.500 | 12.7 | 0.750 | 19.0 |
| 18 | 22 | 1 | 2.025 | 51.4 | 1.375 | 34.9 | 1.468 | 37.2 | 1.166 | 29.6 | 2.29 | 58.1 | 0.875 | 22.2 | 1.029 | 26.1 |
| 19 | 24 | 1 | 2.380 | 60.4 | 1.059 | 26.8 | 1.593 | 40.4 | 1.166 | 29.6 | 2.11 | 53.5 | 0.500 | 12.7 | 0.750 | 19.0 |
| 20 | 24 | 1 | 2.025 | 51.4 | 1.375 | 34.9 | 1.593 | 40.4 | 1.166 | 29.6 | 2.29 | 58.1 | 0.875 | 22.2 | 1.144 | 29.0 |
| 21 | 28 | 1 | 2.550 | 64.7 | 1.156 | 29.3 | 1.969 | 50.0 | 1.266 | 32.1 | 2.33 | 59.1 | 0.625 | 15.8 | 0.937 | 23.7 |
| 22 | 28 | 1 | 2.195 | 55.7 | 1.500 | 38.0 | 1.969 | 50.0 | 1.266 | 32.1 | 2.51 | 63.7 | 1.000 | 25.4 | 1.375 | 34.9 |
| 23 | 32 | 1 | 2.800 | 71.1 | 1.156 | 29.3 | 2.219 | 56.3 | 1.616 | 41.0 | 2.81 | 71.3 | 0.625 | 15.8 | 0.937 | 23.7 |
| 24 | 32 | 1 | 2.800 | 71.1 | 1.375 | 34.9 | 2.219 | 56.3 | 1.616 | 41.0 | 2.81 | 71.3 | 0.875 | 22.2 | 1.250 | 31.7 |
| 25 | 32 | 1 | 2.445 | 62.1 | 1.781 | 45.2 | 2.219 | 56.3 | 1.616 | 41.0 | 3.07 | 77.9 | 1.250 | 31.7 | 1.625 | 41.2 |
| 26 | 36 | 1 | 2.770 | 70.3 | 1.156 | 29.3 | 2.469 | 62.7 | 1.816 | 46.1 | 3.13 | 79.5 | 0.625 | 15.8 | 0.937 | 23.7 |
| 27 | 36 | 1 | 2.770 | 70.3 | 1.500 | 38.0 | 1.469 | 37.3 | 1.816 | 46.1 | 3.13 | 79.5 | 1.000 | 25.4 | 1.375 | 34.9 |
| 28 | 36 | 1 | 2.415 | 61.3 | 1.830 | 46.4 | 2.469 | 62.7 | 1.816 | 46.1 | 3.39 | 86.1 | 1.437 | 36.4 | 1.840 | 46.7 |
| 29 | 40 | 1 | 2.770 | 70.3 | 1.156 | 29.3 | 2.719 | 69.0 | 2.566 | 65.1 | 3.88 | 98.5 | 0.625 | 15.8 | 0.937 | 23.7 |
| 30 | 40 | 1 | 2.770 | 70.3 | 1.500 | 38.0 | 2.719 | 69.0 | 2.566 | 65.1 | 3.88 | 98.5 | 1.000 | 25.4 | 1.375 | 34.9 |
| 31 | 40 | 1 | 2.415 | 61.3 | 1.830 | 46.4 | 2.719 | 69.0 | 2.566 | 65.1 | 4.14 | 105.1 | 1.437 | 36.4 | 1.875 | 47.6 |
| 32 | 44 | 1 | 2.770 | 70.3 | 1.156 | 29.3 | 2.969 | 75.4 | 2.566 | 65.1 | 3.88 | 98.5 | 0.625 | 15.8 | 0.937 | 23.7 |
| 33 | 44 | 1 | 2.770 | 70.3 | 1.500 | 38.0 | 2.969 | 75.4 | 2.566 | 65.1 | 3.88 | 98.5 | 1.000 | 25.4 | 1.375 | 34.9 |
| 34 | 44 | 1 | 2.415 | 61.3 | 1.830 | 46.4 | 2.969 | 75.4 | 2.566 | 65.1 | 4.14 | 105.1 | 1.437 | 36.4 | 1.875 | 47.6 |
| 35 | 48 | 1 | 2.770 | 70.3 | 1.156 | 29.3 | 3.219 | 81.7 | 2.566 | 65.1 | 3.88 | 98.5 | 0.625 | 15.8 | 0.937 | 23.7 |
| 36 | 48 | 1 | 2.770 | 70.3 | 1.500 | 38.0 | 3.219 | 81.7 | 2.566 | 65.1 | 3.88 | 98.5 | 1.000 | 25.4 | 1.375 | 34.9 |
| 37 | 48 | 1 | 2.415 | 61.3 | 1.830 | 46.4 | 3.219 | 81.7 | 2.566 | 65.1 | 4.14 | 105.1 | 1.437 | 36.4 | 1.875 | 47.6 |
| 40 | 16 | 1 | 2.100 | 53.3 | 1.027 | 26.0 | 1.112 | 28.2 | 0.926 | 23.5 | 1.66 | 42.1 | 0.350 | 8.8 | 0.625 | 15.8 |
| 41 | 18 | 1 | 2.270 | 57.6 | 1.027 | 26.0 | 1.218 | 30.9 | 1.016 | 25.8 | 1.80 | 45.7 | 0.125 | 3.1 | 0.312 | 7.9 |
| 42 | 18 | 1 | 2.270 | 57.6 | 1.027 | 26.0 | 1.218 | 30.9 | 1.016 | 25.8 | 1.80 | 45.7 | 0.250 | 6.3 | 0.437 | 11.0 |
| 43 | 20 | 1 | 2.270 | 57.6 | 1.027 | 26.0 | 1.345 | 34.1 | 1.016 | 25.8 | 1.80 | 45.7 | 0.250 | 6.3 | 0.437 | 11.0 |
| 44 | 22 | 1 | 2.380 | 60.4 | 1.027 | 26.0 | 1.468 | 37.2 | 1.166 | 29.6 | 2.11 | 53.5 | 0.125 | 3.1 | 0.312 | 7.9 |
| 45 | 22 | 1 | 2.380 | 60.4 | 1.027 | 26.0 | 1.468 | 37.2 | 1.166 | 29.6 | 2.11 | 53.5 | 0.250 | 6.3 | 0.437 | 11.0 |
| 46 | 24 | 1 | 2.380 | 60.4 | 1.027 | 26.0 | 1.593 | 40.4 | 1.166 | 29.6 | 2.11 | 53.5 | 0.350 | 8.8 | 0.625 | 15.8 |
| 47 | 36 | 1 | 2.770 | 70.3 | 1.059 | 26.8 | 2.469 | 62.7 | 1.816 | 46.1 | 3.13 | 79.5 | 0.500 | 12.7 | 0.750 | 19.0 |
| 48 | 40 | 1 | 2.770 | 70.3 | 1.059 | 26.8 | 2.719 | 69.0 | 1.816 | 46.1 | 3.88 | 98.5 | 0.500 | 12.7 | 0.750 | 19.0 |
| 49 | 10 | 2 | 1.940 | 49.2 | 1.027 | 26.0 | 0.734 | 18.6 | 1.381 | 35.0 | 2.03 | 51.5 | 0.250 | 6.3 | 0.437 | 11.0 |
| 50 | 14 | 2 | 2.270 | 57.6 | 1.059 | 26.8 | 0.984 | 24.9 | 1.766 | 44.8 | 2.61 | 66.2 | 0.500 | 12.7 | 0.750 | 19.0 |

Continued from page 44 and continued on page 46

Note: All dimensions are in inches and millimeters (inch/mm). For complete dimensions, see the applicable Military Specification. Cable entry is defined as the envelope area of the cable or wire bundle. It is not intended for inspection criteria.

AS85049/24 Series (continued)
EMI/RFI non-environmental backshell - Aluminum & stainless steel 90°

Dimensions

| Dash number | Shell size | Style | B ^{±.125"/3.1} | | C | | Ø D maxi | | E ^{±.125"/3.1} | | F maxi | | Cable entry mini | | Cable entry maxi | |
|-------------|------------|-------|-------------------------|------|-------|------|----------|------|-------------------------|------|--------|-------|------------------|------|------------------|------|
| | | | inch | mm | inch | mm | inch | mm | inch | mm | inch | mm | inch | mm | inch | mm |
| 51 | 16 | 2 | 2.380 | 60.4 | 1.156 | 29.3 | 1.112 | 28.2 | 1.916 | 48.6 | 2.87 | 72.8 | 0.625 | 15.8 | 0.937 | 23.7 |
| 52 | 18 | 1 | 2.270 | 57.6 | 1.059 | 26.8 | 1.218 | 30.9 | 1.016 | 25.8 | 1.86 | 47.2 | 0.500 | 12.7 | 0.750 | 19.0 |
| 54 | 20 | 1 | 2.270 | 57.6 | 1.059 | 26.8 | 1.345 | 34.1 | 1.016 | 25.8 | 1.86 | 47.2 | 0.500 | 12.7 | 0.750 | 19.0 |
| 55 | 20 | 2 | 2.550 | 64.7 | 1.375 | 34.9 | 1.345 | 34.1 | 2.016 | 51.2 | 3.14 | 79.7 | 0.875 | 22.2 | 1.250 | 31.7 |
| 56 | 22 | 1 | 2.380 | 60.4 | 1.027 | 26.0 | 1.468 | 37.2 | 1.166 | 29.6 | 2.11 | 53.5 | 0.350 | 8.8 | 0.625 | 15.8 |
| 57 | 22 | 1 | 2.380 | 60.4 | 1.156 | 29.3 | 1.468 | 37.2 | 1.166 | 29.6 | 2.12 | 53.8 | 0.625 | 15.8 | 0.937 | 23.7 |
| 58 | 22 | 2 | 2.550 | 64.7 | 1.375 | 34.9 | 1.468 | 37.2 | 2.016 | 51.2 | 3.14 | 79.7 | 0.875 | 22.2 | 1.250 | 31.7 |
| 59 | 24 | 1 | 2.380 | 60.4 | 1.156 | 29.3 | 1.593 | 40.4 | 1.166 | 29.6 | 2.14 | 54.3 | 0.625 | 15.8 | 0.937 | 23.7 |
| 60 | 28 | 1 | 2.550 | 64.7 | 1.059 | 26.8 | 1.969 | 50.0 | 1.266 | 32.1 | 2.33 | 59.1 | 0.500 | 12.7 | 0.750 | 19.0 |
| 61 | 28 | 1 | 2.550 | 64.7 | 1.375 | 34.9 | 1.969 | 50.0 | 1.266 | 32.1 | 2.39 | 60.7 | 0.875 | 22.2 | 1.250 | 31.7 |
| 62 | 32 | 1 | 2.800 | 71.1 | 1.500 | 38.1 | 2.219 | 56.3 | 1.616 | 41.0 | 2.86 | 72.6 | 1.000 | 25.4 | 1.375 | 34.9 |
| 63 | 36 | 1 | 2.770 | 70.3 | 1.375 | 34.9 | 2.469 | 62.7 | 1.816 | 46.1 | 3.13 | 79.5 | 0.875 | 22.2 | 1.250 | 31.7 |
| 64 | 36 | 1 | 2.770 | 70.3 | 1.781 | 45.2 | 2.469 | 62.7 | 1.816 | 46.1 | 3.27 | 83.0 | 1.250 | 31.7 | 1.625 | 41.2 |
| 65 | 40 | 1 | 2.770 | 70.3 | 1.375 | 34.9 | 2.719 | 69.0 | 2.566 | 65.1 | 3.88 | 98.5 | 0.875 | 22.2 | 1.250 | 31.7 |
| 66 | 40 | 1 | 2.770 | 70.3 | 1.781 | 45.2 | 2.719 | 69.0 | 2.566 | 65.1 | 4.02 | 102.1 | 1.250 | 31.7 | 1.625 | 41.2 |
| 67 | 44 | 1 | 2.770 | 70.3 | 1.375 | 34.9 | 2.969 | 75.4 | 2.566 | 65.1 | 3.88 | 98.5 | 0.875 | 22.2 | 1.250 | 31.7 |
| 68 | 44 | 1 | 2.770 | 70.3 | 1.781 | 45.2 | 2.969 | 75.4 | 2.566 | 65.1 | 4.02 | 102.1 | 1.250 | 31.7 | 1.625 | 41.2 |
| 69 | 48 | 1 | 2.770 | 70.3 | 1.375 | 34.9 | 3.219 | 81.7 | 2.566 | 65.1 | 3.88 | 98.5 | 0.875 | 22.2 | 1.250 | 31.7 |
| 70 | 48 | 1 | 2.770 | 70.3 | 1.781 | 45.2 | 3.219 | 81.7 | 2.566 | 65.1 | 4.02 | 102.1 | 1.250 | 31.7 | 1.625 | 41.2 |
| 71 | 12 | 2 | 2.100 | 53.3 | 1.027 | 26.0 | 0.858 | 21.7 | 1.686 | 42.8 | 2.42 | 61.4 | 0.350 | 8.8 | 0.625 | 15.8 |
| 72 | 18 | 2 | 2.380 | 60.4 | 1.156 | 29.3 | 1.218 | 30.9 | 1.925 | 48.8 | 2.88 | 73.1 | 0.625 | 15.8 | 0.937 | 23.7 |
| 73 | 24 | 2 | 2.550 | 64.7 | 1.375 | 34.9 | 1.593 | 40.4 | 2.026 | 51.4 | 3.15 | 80.0 | 0.875 | 22.2 | 1.250 | 31.7 |
| 74 | 14 | 1 | 2.010 | 51.0 | 1.027 | 26.0 | 0.984 | 24.9 | 0.741 | 18.8 | 1.31 | 33.2 | 0.125 | 3.1 | 0.312 | 7.9 |
| 75 | 16 | 1 | 2.100 | 53.3 | 1.027 | 26.0 | 1.112 | 28.2 | 0.926 | 23.5 | 1.59 | 40.3 | 0.125 | 3.1 | 0.312 | 7.9 |

Continued from page 44 and 45

Note: All dimensions are in inches and millimeters (inch/mm). For complete dimensions, see the applicable Military Specification. Cable entry is defined as the envelope area of the cable or wire bundle. It is not intended for inspection criteria.

AS85049/25 Series

EMI/RFI non-environmental backshell - Aluminum & stainless steel straight

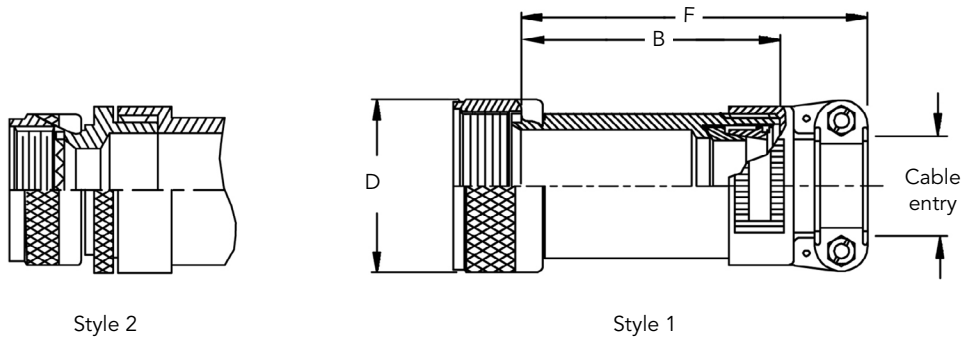
For connectors:

- AS50151 crimp
- EN2997 & EN3646
- MIL-DTL-26482 Series 2
- MIL-DTL-83723 Series 3

Ordering information

| | | | |
|--|------------|----|---|
| Basic Series | AS85049/25 | 11 | W |
| Dash number 5 thru 157 | | | |
| Material and plating | | | |
| W: Aluminum, olive drab cadmium over electroless nickel, 1000 hours salt spray | | | |
| N: Aluminum, electroless nickel | | | |
| S: Stainless steel, passivated | | | |
| B: Stainless steel, black cadmium | | | |

Dimensions



| Dash number | Shell size | Style | B ^{±.125"/ 3.2} | | Ø D maxi | | F maxi | | Cable entry mini | | Cable entry maxi | |
|-------------|------------|-------|--------------------------|------|----------|------|--------|-------|------------------|-----|------------------|------|
| | | | inch | mm | inch | mm | inch | mm | inch | mm | inch | mm |
| 5 | 8 | 1 | 2.00 | 50.8 | 0.617 | 15.6 | 3.15 | 80.0 | 0.125 | 3.1 | 0.250 | 6.3 |
| 6 | 8 | 1 | 3.00 | 76.1 | 0.617 | 15.6 | 4.15 | 105.4 | 0.125 | 3.1 | 0.250 | 6.3 |
| 7 | 8 | 2 | 2.75 | 69.8 | 0.617 | 15.6 | 3.90 | 99.0 | 0.250 | 6.3 | 0.437 | 11.0 |
| 8 | 8 | 2 | 3.75 | 95.2 | 0.617 | 15.6 | 4.90 | 124.4 | 0.250 | 6.3 | 0.437 | 11.0 |
| 9 | 10 | 1 | 2.00 | 50.8 | 0.734 | 18.6 | 3.15 | 80.0 | 0.125 | 3.1 | 0.312 | 7.9 |
| 10 | 10 | 1 | 3.00 | 76.1 | 0.734 | 18.6 | 4.15 | 105.4 | 0.125 | 3.1 | 0.312 | 7.9 |
| 11 | 10 | 2 | 2.75 | 69.8 | 0.734 | 18.6 | 3.90 | 99.0 | 0.250 | 6.3 | 0.437 | 11.0 |
| 12 | 10 | 2 | 3.75 | 95.2 | 0.734 | 18.6 | 4.90 | 124.4 | 0.250 | 6.3 | 0.437 | 11.0 |
| 13 | 12 | 1 | 2.00 | 50.8 | 0.858 | 21.7 | 3.15 | 80.0 | 0.250 | 6.3 | 0.437 | 11.0 |
| 14 | 12 | 1 | 3.00 | 76.1 | 0.858 | 21.7 | 4.15 | 105.4 | 0.250 | 6.3 | 0.437 | 11.0 |

Continued on page 48 and 51

Note: All dimensions are in inches and millimeters (inch/mm). For complete dimensions, see the applicable Military Specification. Cable entry is defined as the envelope area of the cable or wire bundle. It is not intended for inspection criteria.

AS85049/25 Series (continued)
EMI/RFI non-environmental backshell - Aluminum & stainless steel straight

Dimensions

| Dash number | Shell size | Style | B ^{±.125"/ 3.2} | | Ø D maxi | | F maxi | | Cable entry mini | | Cable entry maxi | |
|-------------|------------|-------|--------------------------|-------|----------|------|--------|-------|------------------|------|------------------|------|
| | | | inch | mm | inch | mm | inch | mm | inch | mm | inch | mm |
| 15 | 12 | 2 | 2.75 | 69.8 | 0.858 | 21.7 | 3.90 | 99.0 | 0.350 | 8.8 | 0.625 | 15.8 |
| 16 | 12 | 2 | 3.75 | 95.2 | 0.858 | 21.7 | 4.90 | 124.4 | 0.350 | 8.8 | 0.625 | 15.8 |
| 17 | 14 | 1 | 2.00 | 50.8 | 0.984 | 24.9 | 3.15 | 80.0 | 0.350 | 8.8 | 0.575 | 14.6 |
| 18 | 14 | 1 | 3.00 | 76.2 | 0.984 | 24.9 | 4.15 | 105.4 | 0.350 | 8.8 | 0.575 | 14.6 |
| 19 | 14 | 2 | 2.75 | 69.8 | 0.984 | 24.9 | 3.93 | 99.8 | 0.500 | 12.7 | 0.750 | 19.0 |
| 20 | 14 | 2 | 3.75 | 95.2 | 0.984 | 24.9 | 5.04 | 128.0 | 0.500 | 12.7 | 0.750 | 19.0 |
| 21 | 16 | 1 | 2.00 | 50.8 | 1.112 | 28.2 | 3.18 | 80.7 | 0.500 | 12.7 | 0.700 | 17.7 |
| 22 | 16 | 1 | 3.00 | 76.2 | 1.112 | 28.2 | 4.18 | 106.1 | 0.500 | 12.7 | 0.700 | 17.7 |
| 23 | 16 | 2 | 2.75 | 69.8 | 1.112 | 28.2 | 4.02 | 102.1 | 0.625 | 15.8 | 0.937 | 23.7 |
| 24 | 16 | 2 | 3.75 | 95.2 | 1.112 | 28.2 | 5.02 | 127.5 | 0.625 | 15.8 | 0.937 | 23.7 |
| 25 | 18 | 1 | 2.00 | 50.8 | 1.218 | 30.9 | 3.15 | 80.0 | 0.350 | 8.8 | 0.625 | 15.8 |
| 26 | 18 | 1 | 3.00 | 76.2 | 1.218 | 30.9 | 4.15 | 105.4 | 0.350 | 8.8 | 0.625 | 15.8 |
| 27 | 18 | 1 | 2.00 | 50.8 | 1.218 | 30.9 | 3.18 | 80.7 | 0.500 | 12.7 | 0.750 | 19.0 |
| 28 | 18 | 1 | 3.00 | 76.2 | 1.218 | 30.9 | 4.18 | 106.1 | 0.500 | 12.7 | 0.750 | 19.0 |
| 29 | 18 | 2 | 2.75 | 69.8 | 1.218 | 30.9 | 4.02 | 102.1 | 0.625 | 15.8 | 0.937 | 23.7 |
| 30 | 18 | 2 | 3.70 | 93.9 | 1.218 | 30.9 | 5.02 | 127.5 | 0.625 | 15.8 | 0.937 | 23.7 |
| 31 | 20 | 1 | 3.00 | 76.2 | 1.345 | 34.1 | 4.15 | 105.4 | 0.350 | 8.8 | 0.625 | 15.8 |
| 32 | 20 | 1 | 4.00 | 101.6 | 1.345 | 34.1 | 5.15 | 130.8 | 0.350 | 8.8 | 0.625 | 15.8 |
| 33 | 20 | 1 | 3.00 | 76.2 | 1.345 | 34.1 | 4.18 | 106.1 | 0.500 | 12.7 | 0.750 | 19.0 |
| 34 | 20 | 1 | 4.00 | 101.6 | 1.345 | 34.1 | 5.18 | 131.5 | 0.500 | 12.7 | 0.750 | 19.0 |
| 35 | 20 | 2 | 3.75 | 95.2 | 1.345 | 34.1 | 5.02 | 127.5 | 0.625 | 15.8 | 0.937 | 23.7 |
| 36 | 20 | 2 | 4.75 | 4.75 | 1.345 | 34.1 | 6.02 | 152.9 | 0.625 | 15.8 | 0.937 | 23.7 |
| 37 | 20 | 2 | 3.75 | 95.2 | 1.345 | 34.1 | 5.24 | 133.0 | 0.875 | 22.2 | 1.250 | 31.7 |
| 38 | 20 | 2 | 4.75 | 4.75 | 1.345 | 34.1 | 6.24 | 158.4 | 0.875 | 22.2 | 1.250 | 31.7 |
| 39 | 22 | 1 | 3.00 | 76.2 | 1.468 | 37.2 | 4.15 | 105.4 | 0.350 | 8.8 | 0.625 | 15.8 |
| 40 | 22 | 1 | 4.00 | 101.6 | 1.468 | 37.2 | 5.15 | 130.8 | 0.350 | 8.8 | 0.625 | 15.8 |
| 41 | 22 | 1 | 3.00 | 76.2 | 1.468 | 37.2 | 4.18 | 106.1 | 0.500 | 12.7 | 0.750 | 19.0 |
| 42 | 22 | 1 | 4.00 | 101.6 | 1.468 | 37.2 | 5.18 | 131.5 | 0.500 | 12.7 | 0.750 | 19.0 |
| 43 | 22 | 1 | 3.00 | 76.2 | 1.468 | 37.2 | 4.27 | 108.4 | 0.625 | 15.8 | 0.937 | 23.7 |
| 44 | 22 | 1 | 4.00 | 101.6 | 1.468 | 37.2 | 5.27 | 133.8 | 0.625 | 15.8 | 0.937 | 23.7 |
| 45 | 22 | 2 | 3.75 | 95.2 | 1.468 | 37.2 | 5.24 | 133.0 | 0.875 | 22.2 | 1.250 | 31.7 |
| 46 | 22 | 2 | 4.75 | 4.75 | 1.468 | 37.2 | 6.24 | 158.4 | 0.875 | 22.2 | 1.250 | 31.7 |
| 47 | 24 | 1 | 3.00 | 76.2 | 1.593 | 40.4 | 4.18 | 106.1 | 0.500 | 12.7 | 0.750 | 19.0 |
| 48 | 24 | 1 | 4.00 | 101.6 | 1.593 | 40.4 | 5.18 | 131.5 | 0.500 | 12.7 | 0.750 | 19.0 |
| 49 | 24 | 1 | 3.00 | 76.2 | 1.593 | 40.4 | 4.27 | 108.4 | 0.625 | 15.8 | 0.812 | 20.6 |
| 50 | 24 | 1 | 4.00 | 101.6 | 1.593 | 40.4 | 5.27 | 133.8 | 0.625 | 15.8 | 0.812 | 20.6 |

Continued from page 47 and continued on page 51

Note: All dimensions are in inches and millimeters (inch/mm). For complete dimensions, see the applicable Military Specification. Cable entry is defined as the envelope area of the cable or wire bundle. It is not intended for inspection criteria.

AS85049/25 Series (continued)
EMI/RFI non-environmental backshell - Aluminum & stainless steel straight

Dimensions

| Dash number | Shell size | Style | B ^{±.125"/ 3.1} | | Ø D maxi | | F maxi | | Cable entry mini | | Cable entry maxi | |
|-------------|------------|-------|--------------------------|-------|----------|------|--------|-------|------------------|------|------------------|------|
| | | | inch | mm | inch | mm | inch | mm | inch | mm | inch | mm |
| 51 | 24 | 1 | 3.00 | 76.2 | 1.593 | 40.4 | 4.27 | 108.4 | 0.625 | 15.8 | 0.937 | 23.7 |
| 52 | 24 | 1 | 4.00 | 101.6 | 1.593 | 40.4 | 5.27 | 133.8 | 0.625 | 15.8 | 0.937 | 23.7 |
| 53 | 24 | 2 | 3.75 | 95.2 | 1.593 | 40.4 | 5.24 | 133.0 | 0.875 | 22.2 | 1.250 | 31.7 |
| 54 | 24 | 2 | 4.75 | 120.6 | 1.593 | 40.4 | 6.24 | 158.4 | 0.875 | 22.2 | 1.250 | 31.7 |
| 55 | 28 | 1 | 3.00 | 76.2 | 1.969 | 50.0 | 4.16 | 105.6 | 0.500 | 12.7 | 0.750 | 19.0 |
| 56 | 28 | 1 | 4.00 | 101.6 | 1.969 | 50.0 | 5.16 | 131.0 | 0.500 | 12.7 | 0.750 | 19.0 |
| 57 | 28 | 1 | 3.00 | 76.2 | 1.969 | 50.0 | 4.26 | 108.2 | 0.625 | 15.8 | 0.937 | 23.7 |
| 58 | 28 | 1 | 4.00 | 101.6 | 1.969 | 50.0 | 5.26 | 133.6 | 0.625 | 15.8 | 0.937 | 23.7 |
| 59 | 28 | 1 | 3.00 | 76.2 | 1.969 | 50.0 | 4.48 | 113.7 | 0.875 | 22.2 | 1.250 | 31.7 |
| 60 | 28 | 1 | 4.00 | 101.6 | 1.969 | 50.0 | 5.48 | 139.1 | 0.875 | 22.2 | 1.250 | 31.7 |
| 61 | 28 | 1 | 3.00 | 76.2 | 1.969 | 50.0 | 4.60 | 116.8 | 1.000 | 25.4 | 1.375 | 34.9 |
| 62 | 28 | 1 | 4.00 | 101.6 | 1.969 | 50.0 | 5.60 | 142.2 | 1.000 | 25.4 | 1.375 | 34.9 |
| 63 | 32 | 1 | 3.00 | 76.2 | 2.219 | 56.3 | 4.26 | 108.2 | 0.625 | 15.8 | 0.937 | 23.7 |
| 64 | 32 | 1 | 4.00 | 101.6 | 2.219 | 56.3 | 5.26 | 133.6 | 0.625 | 15.8 | 0.937 | 23.7 |
| 65 | 32 | 1 | 3.00 | 76.2 | 2.219 | 56.3 | 4.48 | 113.7 | 0.875 | 22.2 | 1.250 | 31.7 |
| 66 | 32 | 1 | 4.00 | 101.6 | 2.219 | 56.3 | 5.48 | 139.1 | 0.875 | 22.2 | 1.250 | 31.7 |
| 67 | 32 | 1 | 3.00 | 76.2 | 2.219 | 56.3 | 4.60 | 116.8 | 1.000 | 25.4 | 1.375 | 34.9 |
| 68 | 32 | 1 | 4.00 | 101.6 | 2.219 | 56.3 | 5.60 | 142.2 | 1.000 | 25.4 | 1.375 | 34.9 |
| 69 | 32 | 1 | 3.00 | 76.2 | 2.219 | 56.3 | 4.89 | 124.2 | 1.250 | 31.7 | 1.625 | 41.2 |
| 70 | 32 | 1 | 4.00 | 101.6 | 2.219 | 56.3 | 5.89 | 149.6 | 1.250 | 31.7 | 1.625 | 41.2 |
| 71 | 36 | 1 | 4.00 | 101.6 | 2.469 | 62.7 | 5.49 | 139.4 | 0.875 | 22.2 | 1.250 | 31.7 |
| 72 | 36 | 1 | 5.00 | 127.0 | 2.469 | 62.7 | 6.49 | 164.8 | 0.875 | 22.2 | 1.250 | 31.7 |
| 73 | 36 | 1 | 4.00 | 101.6 | 2.469 | 62.7 | 5.60 | 142.2 | 1.000 | 25.4 | 1.375 | 34.9 |
| 74 | 36 | 1 | 5.00 | 127.0 | 2.469 | 62.7 | 6.60 | 167.6 | 1.000 | 25.4 | 1.375 | 34.9 |
| 75 | 36 | 1 | 4.00 | 101.6 | 2.469 | 62.7 | 5.89 | 149.6 | 1.250 | 31.7 | 1.625 | 41.2 |
| 76 | 36 | 1 | 5.00 | 127.0 | 2.469 | 62.7 | 6.89 | 175.0 | 1.250 | 31.7 | 1.625 | 41.2 |
| 77 | 36 | 2 | 4.88 | 123.9 | 2.469 | 62.7 | 6.81 | 172.9 | 1.437 | 36.4 | 1.875 | 47.6 |
| 78 | 36 | 2 | 5.88 | 149.3 | 2.469 | 62.7 | 7.81 | 198.3 | 1.437 | 36.4 | 1.875 | 47.6 |
| 79 | 40 | 1 | 4.00 | 101.6 | 2.719 | 69.0 | 5.48 | 139.1 | 0.875 | 22.2 | 1.250 | 31.7 |
| 80 | 40 | 1 | 5.00 | 127.0 | 2.719 | 69.0 | 6.48 | 164.5 | 0.875 | 22.2 | 1.250 | 31.7 |
| 81 | 40 | 1 | 4.00 | 101.6 | 2.719 | 69.0 | 5.60 | 142.2 | 1.000 | 25.4 | 1.375 | 34.9 |
| 82 | 40 | 1 | 5.00 | 127.0 | 2.719 | 69.0 | 6.60 | 167.6 | 1.000 | 25.4 | 1.375 | 34.9 |
| 83 | 40 | 1 | 4.00 | 101.6 | 2.719 | 69.0 | 5.89 | 149.6 | 1.250 | 31.8 | 1.625 | 41.3 |
| 84 | 40 | 1 | 5.00 | 127.0 | 2.719 | 69.0 | 6.89 | 175.0 | 1.250 | 31.8 | 1.625 | 41.3 |
| 85 | 40 | 1 | 4.00 | 101.6 | 2.719 | 69.0 | 5.93 | 150.6 | 1.437 | 36.5 | 1.875 | 47.6 |
| 86 | 40 | 1 | 5.00 | 127.0 | 2.719 | 69.0 | 6.93 | 176.0 | 1.437 | 36.5 | 1.875 | 47.6 |

Continued from page 48 and continued on page 51

Note: All dimensions are in inches and millimeters (inch/mm). For complete dimensions, see the applicable Military Specification. Cable entry is defined as the envelope area of the cable or wire bundle. It is not intended for inspection criteria.

AS85049/25 Series (continued)
EMI/RFI non-environmental backshell - Aluminum & stainless steel straight

Dimensions

| Dash number | Shell size | Style | B ^{±.125"/ 3.2} | | Ø D maxi | | F maxi | | Cable entry mini | | Cable entry maxi | |
|-------------|------------|-------|--------------------------|-------|----------|------|--------|-------|------------------|------|------------------|------|
| | | | inch | mm | inch | mm | inch | mm | inch | mm | inch | mm |
| 87 | 44 | 1 | 4.00 | 101.6 | 2.969 | 75.4 | 5.48 | 139.2 | 0.875 | 22.2 | 1.250 | 31.8 |
| 88 | 44 | 1 | 5.00 | 127.0 | 2.969 | 75.4 | 6.48 | 164.6 | 0.875 | 22.2 | 1.250 | 31.8 |
| 89 | 44 | 1 | 4.00 | 101.6 | 2.969 | 75.4 | 5.60 | 142.2 | 1.000 | 25.4 | 1.375 | 34.9 |
| 90 | 44 | 1 | 5.00 | 127.0 | 2.969 | 75.4 | 6.60 | 167.6 | 1.000 | 25.4 | 1.375 | 34.9 |
| 91 | 44 | 1 | 4.00 | 101.6 | 2.969 | 75.4 | 5.89 | 149.6 | 1.250 | 31.8 | 1.625 | 41.3 |
| 92 | 44 | 1 | 5.00 | 127.0 | 2.969 | 75.4 | 6.89 | 175.0 | 1.250 | 31.8 | 1.625 | 41.3 |
| 93 | 44 | 1 | 4.00 | 101.6 | 2.969 | 75.4 | 5.93 | 150.6 | 1.437 | 36.5 | 1.875 | 47.6 |
| 94 | 44 | 1 | 5.00 | 127.0 | 2.969 | 75.4 | 6.93 | 176.0 | 1.437 | 36.5 | 1.875 | 47.6 |
| 95 | 48 | 1 | 4.00 | 101.6 | 3.219 | 81.8 | 5.48 | 139.2 | 0.875 | 22.2 | 1.250 | 31.8 |
| 96 | 48 | 1 | 5.00 | 127.0 | 3.219 | 81.8 | 6.48 | 164.6 | 0.875 | 22.2 | 1.250 | 31.8 |
| 97 | 48 | 1 | 4.00 | 101.6 | 3.219 | 81.8 | 5.60 | 142.2 | 1.000 | 25.4 | 1.375 | 34.9 |
| 98 | 48 | 1 | 5.00 | 127.0 | 3.219 | 81.8 | 6.60 | 167.6 | 1.000 | 25.4 | 1.375 | 34.9 |
| 99 | 48 | 1 | 4.00 | 101.6 | 3.219 | 81.8 | 5.89 | 149.6 | 1.250 | 31.8 | 1.625 | 41.3 |
| 100 | 48 | 1 | 5.00 | 127.0 | 3.219 | 81.8 | 6.89 | 175.0 | 1.250 | 31.8 | 1.625 | 41.3 |
| 101 | 48 | 1 | 4.00 | 101.6 | 3.219 | 81.8 | 5.93 | 150.6 | 1.437 | 36.5 | 1.875 | 47.6 |
| 102 | 48 | 1 | 5.00 | 127.0 | 3.219 | 81.8 | 6.93 | 176.0 | 1.437 | 36.5 | 1.875 | 47.6 |
| 111 | 12 | 1 | 2.00 | 50.8 | 0.858 | 21.8 | 3.15 | 80.0 | 0.350 | 8.9 | 0.500 | 12.7 |
| 112 | 16 | 1 | 2.00 | 50.8 | 1.112 | 28.2 | 3.15 | 80.0 | 0.250 | 6.4 | 0.437 | 11.1 |
| 113 | 16 | 1 | 3.00 | 76.2 | 1.112 | 28.2 | 4.15 | 105.4 | 0.250 | 6.4 | 0.437 | 11.1 |
| 114 | 12 | 1 | 2.00 | 50.8 | 0.858 | 21.8 | 3.15 | 80.0 | 0.125 | 3.2 | 0.312 | 7.9 |
| 115 | 12 | 1 | 3.00 | 76.2 | 0.858 | 21.8 | 4.15 | 105.4 | 0.125 | 3.2 | 0.312 | 7.9 |
| 116 | 14 | 1 | 2.00 | 50.8 | 0.984 | 25.0 | 3.15 | 80.0 | 0.250 | 6.4 | 0.437 | 11.1 |
| 117 | 14 | 1 | 3.00 | 76.2 | 0.984 | 25.0 | 4.15 | 105.4 | 0.250 | 6.4 | 0.437 | 11.1 |
| 118 | 16 | 1 | 2.00 | 50.8 | 1.112 | 28.2 | 3.15 | 80.0 | 0.350 | 8.9 | 0.625 | 15.9 |
| 119 | 16 | 1 | 3.00 | 76.2 | 1.112 | 28.2 | 4.15 | 105.4 | 0.350 | 8.9 | 0.625 | 15.9 |
| 120 | 18 | 1 | 2.00 | 50.8 | 1.218 | 30.9 | 3.15 | 80.0 | 0.125 | 3.2 | 0.312 | 7.9 |
| 121 | 18 | 1 | 3.00 | 76.2 | 1.218 | 30.9 | 4.15 | 105.4 | 0.125 | 3.2 | 0.312 | 7.9 |
| 122 | 18 | 1 | 2.00 | 50.8 | 1.218 | 30.9 | 3.15 | 80.0 | 0.250 | 6.4 | 0.437 | 11.1 |
| 123 | 18 | 1 | 3.00 | 76.2 | 1.218 | 30.9 | 4.15 | 105.4 | 0.250 | 6.4 | 0.437 | 11.1 |
| 124 | 20 | 1 | 3.00 | 76.2 | 1.345 | 34.2 | 4.15 | 105.4 | 0.250 | 6.4 | 0.437 | 11.1 |
| 125 | 20 | 1 | 4.00 | 101.6 | 1.345 | 34.2 | 5.15 | 130.8 | 0.250 | 6.4 | 0.437 | 11.1 |
| 126 | 22 | 1 | 3.00 | 76.2 | 1.468 | 37.3 | 4.15 | 105.4 | 0.125 | 3.2 | 0.312 | 7.9 |
| 127 | 22 | 1 | 4.00 | 101.6 | 1.468 | 37.3 | 5.15 | 130.8 | 0.125 | 3.2 | 0.312 | 7.9 |
| 128 | 22 | 1 | 3.00 | 76.2 | 1.468 | 37.3 | 4.15 | 105.4 | 0.250 | 6.4 | 0.437 | 11.1 |
| 129 | 22 | 1 | 4.00 | 101.6 | 1.468 | 37.3 | 5.15 | 130.8 | 0.250 | 6.4 | 0.437 | 11.1 |
| 130 | 24 | 1 | 3.00 | 76.2 | 1.593 | 40.5 | 4.15 | 105.4 | 0.350 | 8.9 | 0.625 | 15.9 |

Continued from page 49 and continued on page 51

Note: All dimensions are in inches and millimeters (inch/mm). For complete dimensions, see the applicable Military Specification. Cable entry is defined as the envelope area of the cable or wire bundle. It is not intended for inspection criteria.

AS85049/25 Series (continued)
EMI/RFI non-environmental backshell - Aluminum & stainless steel straight

Dimensions

| Dash number | Shell size | Style | B ^{±.125"/ 3.1} | | Ø D maxi | | F maxi | | Cable entry mini | | Cable entry maxi | |
|-------------|------------|-------|--------------------------|-------|----------|------|--------|-------|------------------|------|------------------|------|
| | | | inch | mm | inch | mm | inch | mm | inch | mm | inch | mm |
| 131 | 24 | 1 | 4.00 | 101.6 | 1.593 | 40.5 | 5.15 | 130.8 | 0.350 | 8.9 | 0.625 | 15.9 |
| 132 | 36 | 1 | 4.00 | 101.6 | 2.469 | 62.7 | 5.32 | 135.1 | 0.500 | 12.7 | 0.750 | 19.1 |
| 133 | 36 | 1 | 5.00 | 127.0 | 2.469 | 62.7 | 6.32 | 160.5 | 0.500 | 12.7 | 0.750 | 19.1 |
| 134 | 40 | 1 | 4.00 | 101.6 | 2.719 | 69.1 | 5.16 | 131.1 | 0.500 | 12.7 | 0.750 | 19.1 |
| 135 | 40 | 1 | 5.00 | 127.0 | 2.719 | 69.1 | 6.16 | 156.5 | 0.500 | 12.7 | 0.750 | 19.1 |
| 136 | 10 | 1 | 2.00 | 50.8 | 0.734 | 18.6 | 3.15 | 80.0 | 0.250 | 6.4 | 0.375 | 9.5 |
| 137 | 10 | 1 | 3.00 | 76.2 | 0.734 | 18.6 | 4.15 | 105.4 | 0.250 | 6.4 | 0.375 | 9.5 |
| 138 | 12 | 1 | 2.00 | 50.8 | 0.858 | 21.8 | 3.15 | 80.0 | 0.350 | 8.9 | 0.500 | 12.7 |
| 139 | 12 | 1 | 3.00 | 76.2 | 0.858 | 21.8 | 4.15 | 105.4 | 0.350 | 8.9 | 0.500 | 12.7 |
| 140 | 20 | 1 | 3.00 | 76.2 | 1.345 | 34.2 | 4.27 | 108.5 | 0.625 | 15.9 | 0.904 | 23.0 |
| 141 | 20 | 1 | 4.00 | 101.6 | 1.345 | 34.2 | 5.27 | 133.9 | 0.625 | 15.9 | 0.904 | 23.0 |
| 142 | 22 | 1 | 3.00 | 76.2 | 1.468 | 37.3 | 4.49 | 114.0 | 0.875 | 22.2 | 1.029 | 26.1 |
| 143 | 22 | 1 | 4.00 | 101.6 | 1.468 | 37.3 | 5.49 | 139.4 | 0.875 | 22.2 | 1.029 | 26.1 |
| 144 | 24 | 1 | 3.00 | 76.2 | 1.593 | 40.5 | 4.49 | 114.0 | 0.875 | 22.2 | 1.144 | 29.1 |
| 145 | 24 | 1 | 4.00 | 101.6 | 1.593 | 40.5 | 5.49 | 139.4 | 0.875 | 22.2 | 1.144 | 29.1 |
| 146 | 36 | 1 | 4.00 | 101.6 | 2.469 | 62.7 | 5.93 | 150.6 | 1.437 | 36.5 | 1.840 | 46.7 |
| 147 | 36 | 1 | 5.00 | 127.0 | 2.469 | 62.7 | 6.93 | 176.0 | 1.437 | 36.5 | 1.840 | 46.7 |
| 148 | 36 | 1 | 4.00 | 101.6 | 2.469 | 62.7 | 5.26 | 133.6 | 0.625 | 15.9 | 0.937 | 23.8 |
| 149 | 36 | 1 | 5.00 | 127.0 | 2.469 | 62.7 | 6.26 | 159.0 | 0.625 | 15.9 | 0.937 | 23.8 |
| 150 | 14 | 1 | 2.00 | 50.8 | 0.984 | 25.0 | 3.15 | 80.0 | 0.125 | 3.2 | 0.312 | 7.9 |
| 151 | 14 | 1 | 3.00 | 76.2 | 0.984 | 25.0 | 4.15 | 105.4 | 0.125 | 3.2 | 0.312 | 7.9 |
| 152 | 16 | 1 | 2.00 | 50.8 | 1.112 | 28.2 | 3.15 | 80.0 | 0.125 | 3.2 | 0.312 | 7.9 |
| 153 | 16 | 1 | 3.00 | 76.2 | 1.112 | 28.2 | 4.15 | 105.4 | 0.125 | 3.2 | 0.312 | 7.9 |
| 154 | 44 | 1 | 4.00 | 101.6 | 2.969 | 75.4 | 5.26 | 133.6 | 0.625 | 15.9 | 0.937 | 23.8 |
| 155 | 44 | 1 | 5.00 | 127.0 | 2.969 | 75.4 | 6.26 | 159.0 | 0.625 | 15.9 | 0.937 | 23.8 |
| 156 | 40 | 1 | 4.00 | 101.6 | 2.719 | 69.1 | 5.26 | 133.6 | 0.625 | 15.9 | 0.937 | 23.8 |
| 157 | 40 | 1 | 5.00 | 127.0 | 2.719 | 69.1 | 6.26 | 159.0 | 0.625 | 15.9 | 0.937 | 23.8 |

Continued from page 47 to 50

Note: All dimensions are in inches and millimeters (inch/mm). For complete dimensions, see the applicable Military Specification. Cable entry is defined as the envelope area of the cable or wire bundle. It is not intended for inspection criteria.

AS85049/26-1, 26-3 Series EMI/RFI crimp ring backshell - Aluminum straight

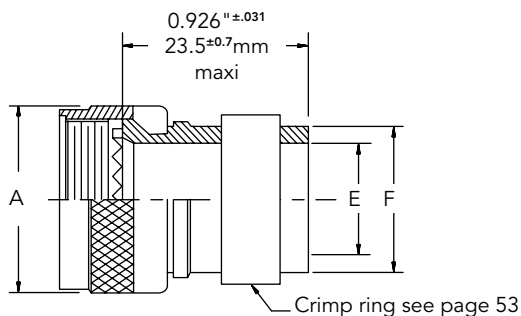
For connectors:

- AS50151 crimp • MIL-DTL-26482 Series 2
- EN2997 & EN3646 • MIL-DTL-83723 Series 3

Ordering information

| | | | | |
|--|-------------|---|----|---|
| Basic Series | AS85049/26- | 3 | 12 | W |
| Figure | | | | |
| 1: Adapter only | | | | |
| 3: Adapter with crimp ring | | | | |
| Shell size | | | | |
| 3, 8, 10, 12, 14, 16, 18, 20, 22, 24, 28, 32, 36, 40, 44, 48, 61 | | | | |
| Material and plating | | | | |
| N: Aluminum, electroless nickel | | | | |
| W: Aluminum, olive drab cadmium over electroless nickel, 1000 hours salt spray | | | | |

Dimensions



| Shell size | Ø A ±.031" / 0.7 | | Ø E ±.015" / 0.3 | | Ø F ±.010" / 0.2 | |
|------------|------------------|------|------------------|------|------------------|------|
| | inch | mm | inch | mm | inch | mm |
| 3 | 0.669 | 17.0 | 0.250 | 6.4 | 0.337 | 8.6 |
| 8 | 0.617 | 15.7 | 0.250 | 6.4 | 0.337 | 8.6 |
| 10 | 0.734 | 18.6 | 0.325 | 8.3 | 0.488 | 12.4 |
| 12 | 0.858 | 21.6 | 0.420 | 10.7 | 0.500 | 12.7 |
| 14 | 0.984 | 25.0 | 0.540 | 13.7 | 0.620 | 15.7 |
| 16 | 1.112 | 28.2 | 0.670 | 17.0 | 0.750 | 19.1 |
| 18 | 1.218 | 30.9 | 0.789 | 20.0 | 0.880 | 22.4 |
| 20 | 1.345 | 34.2 | 0.914 | 23.2 | 1.000 | 25.4 |
| 22 | 1.468 | 37.3 | 1.039 | 26.4 | 1.120 | 28.4 |
| 24 | 1.593 | 40.5 | 1.112 | 28.2 | 1.192 | 30.3 |
| 28 | 1.969 | 50.0 | 1.389 | 35.3 | 1.545 | 39.2 |
| 32 | 2.219 | 56.4 | 1.635 | 41.5 | 1.795 | 45.6 |
| 36 | 2.469 | 62.7 | 1.850 | 47.0 | 2.045 | 51.9 |
| 40 | 2.719 | 69.1 | 2.065 | 52.5 | 2.295 | 58.3 |
| 44 | 2.969 | 75.4 | 2.320 | 58.9 | 2.545 | 64.6 |
| 48 | 3.219 | 81.8 | 2.570 | 65.3 | 2.795 | 71.0 |
| 61 | 1.653 | 42.0 | 1.210 | 30.7 | 1.359 | 34.5 |

Note: All dimensions are in inches and millimeters (inch/mm). For complete dimensions, see the applicable Military Specification. Cable entry is defined as the envelope area of the cable or wire bundle. It is not intended for inspection criteria.

AS85049/26-2 Series Crimp ring for EMI/RFI backshell

For backshells:

- AS85049/20 • AS85049/26-1
- AS85049/33-2

Ordering information

Basic Series

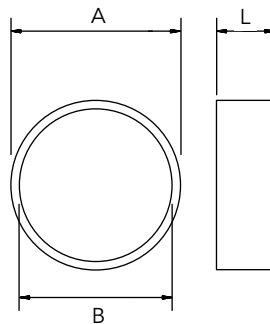
AS85049/26-2

12

Dash number

08, 10, 12, 14, 16, 18, 20, 22, 24, 28, 32, 36, 40, 44, 48, 61

Dimensions



| Dash number | For AS85049/26-1 and AS85049/33-2 shell size | For AS85049/20 shell size | Ø A mini | | Ø A maxi | | Ø B mini | | Ø B maxi | | L ^{±.020"/0.5} | |
|-------------|--|---------------------------|----------|------|----------|------|----------|------|----------|------|-------------------------|------|
| | | | inch | mm | inch | mm | inch | mm | inch | mm | inch | mm |
| 08 | 08 | 09 | 0.400 | 10.2 | 0.410 | 10.4 | 0.448 | 11.4 | 0.458 | 11.6 | 0.440 | 11.2 |
| 10 | 10 | 11 | 0.585 | 14.9 | 0.595 | 15.1 | 0.660 | 16.8 | 0.680 | 17.3 | | |
| 12 | 12 | 13 | 0.585 | 14.9 | 0.595 | 15.1 | 0.660 | 16.8 | 0.680 | 17.3 | | |
| 14 | 14 | 15 | 0.705 | 17.9 | 0.715 | 18.2 | 0.780 | 19.8 | 0.800 | 20.3 | | |
| 16 | 16 | 17 | 0.835 | 21.2 | 0.845 | 21.5 | 0.910 | 23.1 | 0.930 | 23.6 | | |
| 18 | 18 | 19 | 1.005 | 25.5 | 1.015 | 25.8 | 1.080 | 27.4 | 1.100 | 27.9 | | |
| 20 | 20 | 21 | 1.125 | 28.6 | 1.135 | 28.8 | 1.200 | 30.5 | 1.220 | 31.0 | | |
| 22 | 22 | 23 | 1.245 | 31.6 | 1.255 | 31.9 | 1.320 | 33.5 | 1.340 | 34.0 | | |
| 24 | 24 | 25 | 1.327 | 33.7 | 1.337 | 34.0 | 1.402 | 35.6 | 1.422 | 36.1 | | |
| 28 | 28 | - | 1.665 | 42.3 | 1.675 | 42.5 | 1.740 | 44.2 | 1.760 | 44.7 | | |
| 32 | 32 | - | 1.915 | 48.6 | 1.925 | 48.9 | 1.990 | 50.5 | 2.010 | 51.4 | | |
| 36 | 36 | - | 2.165 | 55.0 | 2.175 | 55.2 | 2.240 | 56.9 | 2.260 | 57.4 | | |
| 40 | 40 | - | 2.415 | 61.3 | 2.425 | 61.6 | 2.490 | 63.2 | 2.510 | 63.8 | | |
| 44 | 44 | - | 2.665 | 67.7 | 2.675 | 67.9 | 2.740 | 69.6 | 2.760 | 70.1 | | |
| 48 | 48 | - | 2.915 | 74.0 | 2.925 | 74.3 | 2.990 | 75.9 | 3.010 | 76.5 | | |
| 61 | 61 | - | 1.435 | 36.4 | 1.445 | 36.7 | 1.510 | 38.4 | 1.530 | 38.9 | | |

Note: All dimensions are in inches and millimeters (inch/mm). For complete dimensions, see the applicable Military Specification. Cable entry is defined as the envelope area of the cable or wire bundle. It is not intended for inspection criteria.

AS85049/27 Series Grommet nut - Aluminum, straight

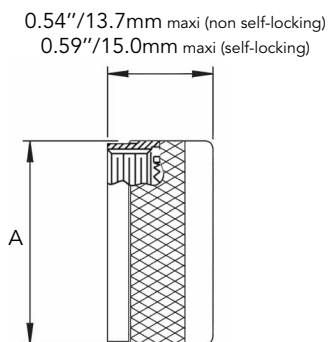
For connectors:

- MIL-DTL-27599
- MIL-DTL-38999 Series I & II

Ordering information

| | | | | | | | | | | | | | | | | | | | | | | | | | | | | | | | | |
|--|-------------------|----|----|----|----|----|----|----|----|--|----------|-----------|--------------------|----|----|----|----|----|----|----|----|----|-----------------------|----|----|----|----|----|----|----|----|----|
| Basic Series | AS85049/27 | | | | | | | | | | S | 10 | W | | | | | | | | | | | | | | | | | | | |
| Self-locking option | | | | | | | | | | | | | | | | | | | | | | | | | | | | | | | | |
| S: Self-locking, detented - utilizes an audible detented anti-decoupling device. | | | | | | | | | | | | | | | | | | | | | | | | | | | | | | | | |
| N: Self-locking, non detented - utilizes an internal captivated anti-decoupling device (Self-Seating) with no audible clicking mechanism. | | | | | | | | | | | | | | | | | | | | | | | | | | | | | | | | |
| - : Non self-locking | | | | | | | | | | | | | | | | | | | | | | | | | | | | | | | | |
| Dash number | | | | | | | | | | | | | | | | | | | | | | | | | | | | | | | | |
| 08, 10, 12, 14, 16, 18, 20, 22, 24 | | | | | | | | | | | | | | | | | | | | | | | | | | | | | | | | |
| <table border="1"> <tr> <td>Shell size 38999 I</td> <td>09</td> <td>11</td> <td>13</td> <td>15</td> <td>17</td> <td>19</td> <td>21</td> <td>23</td> <td>25</td> </tr> <tr> <td>= Shell size 38999 II</td> <td>08</td> <td>10</td> <td>12</td> <td>14</td> <td>16</td> <td>18</td> <td>20</td> <td>22</td> <td>24</td> </tr> </table> | | | | | | | | | | | | | Shell size 38999 I | 09 | 11 | 13 | 15 | 17 | 19 | 21 | 23 | 25 | = Shell size 38999 II | 08 | 10 | 12 | 14 | 16 | 18 | 20 | 22 | 24 |
| Shell size 38999 I | 09 | 11 | 13 | 15 | 17 | 19 | 21 | 23 | 25 | | | | | | | | | | | | | | | | | | | | | | | |
| = Shell size 38999 II | 08 | 10 | 12 | 14 | 16 | 18 | 20 | 22 | 24 | | | | | | | | | | | | | | | | | | | | | | | |
| Material and plating | | | | | | | | | | | | | | | | | | | | | | | | | | | | | | | | |
| N: Aluminum, electroless nickel | | | | | | | | | | | | | | | | | | | | | | | | | | | | | | | | |
| W: Aluminum, olive drab cadmium over electroless nickel, 1000 hours salt spray | | | | | | | | | | | | | | | | | | | | | | | | | | | | | | | | |

Dimensions



| Dash number | Ø A maxi - Self-locking | | Ø A maxi - Non Self-locking | |
|-------------|-------------------------|-------|-----------------------------|-------|
| | inch | mm | inch | mm |
| 08 | 0.859 | 21.82 | 0.75 | 19.10 |
| 10 | 0.984 | 24.99 | 0.85 | 21.60 |
| 12 | 1.156 | 29.36 | 1.00 | 25.40 |
| 14 | 1.281 | 32.54 | 1.10 | 27.90 |
| 16 | 1.406 | 35.71 | 1.25 | 31.80 |
| 18 | 1.516 | 38.51 | 1.40 | 35.60 |
| 20 | 1.641 | 41.68 | 1.50 | 38.10 |
| 22 | 1.766 | 44.86 | 1.65 | 41.90 |
| 24 | 1.891 | 48.03 | 1.75 | 44.50 |

Note: All dimensions are in inches and millimeters (inch/mm). For complete dimensions, see the applicable Military Specification. Cable entry is defined as the envelope area of the cable or wire bundle. It is not intended for inspection criteria.

AS85049/29 Series Strain relief backshell - Aluminum, straight

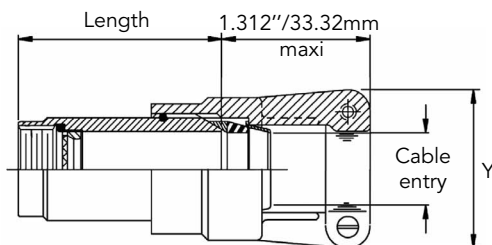
For connectors:

- MIL-DTL-27599
- MIL-DTL-38999 Series I & II

Ordering information

| | | | | | | | | | | | | | | | | | | | | | | | | | | | | | | | | | | |
|-----------------------------|--|----|----|----|----|----|----|----|----|--|--------------------|-----------|----------|-----------|----|----|----|----|----|----|-----------------------|----|----|----|----|----|----|----|----|----|--|--|--|--|
| Basic Series | | | | | | | | | | | AS85049/29 | 24 | W | 10 | | | | | | | | | | | | | | | | | | | | |
| Dash number | <table border="1"> <tr> <td>Shell size 38999 I</td> <td>09</td><td>11</td><td>13</td><td>15</td><td>17</td><td>19</td><td>21</td><td>23</td><td>25</td> </tr> <tr> <td>= Shell size 38999 II</td> <td>08</td><td>10</td><td>12</td><td>14</td><td>16</td><td>18</td><td>20</td><td>22</td><td>24</td> </tr> </table> | | | | | | | | | | Shell size 38999 I | 09 | 11 | 13 | 15 | 17 | 19 | 21 | 23 | 25 | = Shell size 38999 II | 08 | 10 | 12 | 14 | 16 | 18 | 20 | 22 | 24 | | | | |
| Shell size 38999 I | 09 | 11 | 13 | 15 | 17 | 19 | 21 | 23 | 25 | | | | | | | | | | | | | | | | | | | | | | | | | |
| = Shell size 38999 II | 08 | 10 | 12 | 14 | 16 | 18 | 20 | 22 | 24 | | | | | | | | | | | | | | | | | | | | | | | | | |
| Material and plating | <p>A: Aluminum, black anodized N: Aluminum, electroless nickel W: Aluminum, olive drab cadmium over electroless nickel, 1000 hours salt spray</p> | | | | | | | | | | | | | | | | | | | | | | | | | | | | | | | | | |
| Clamp size | 01, 02, 03, 04, 05, 06, 07, 08, 09, 10: See table below | | | | | | | | | | | | | | | | | | | | | | | | | | | | | | | | | |
| Length code | empty: Standard length - see table below A, B, C: See table below | | | | | | | | | | | | | | | | | | | | | | | | | | | | | | | | | |

Dimensions



Length code

| Code | Length $\pm 0.32"/0.80$ | |
|----------|-------------------------|-------|
| | inch | mm |
| Standard | 1.0 | 25.4 |
| A | 2.0 | 50.8 |
| B | 3.0 | 70.2 |
| C | 4.0 | 101.6 |

Clamp size

| Dash number | Clamp size | |
|-------------|------------|------|
| | mini | maxi |
| 08 | 01 | 02 |
| 10 | 01 | 03 |
| 12 | 02 | 04 |
| 14 | 02 | 05 |
| 16 | 02 | 06 |
| 18 | 03 | 07 |
| 20 | 03 | 08 |
| 22 | 03 | 09 |
| 24 | 04 | 10 |

| Clamp size | Y maxi | | Cable entry mini | | Cable entry maxi | |
|------------|--------|-------|------------------|-------|------------------|-------|
| | inch | mm | inch | mm | inch | mm |
| 01 | 0.781 | 19.84 | 0.062 | 1.57 | 0.125 | 3.18 |
| 02 | 0.969 | 24.61 | 0.125 | 3.18 | 0.250 | 6.35 |
| 03 | 1.062 | 26.97 | 0.250 | 6.35 | 0.375 | 9.53 |
| 04 | 1.156 | 29.36 | 0.312 | 7.92 | 0.500 | 12.70 |
| 05 | 1.250 | 31.75 | 0.437 | 11.10 | 0.625 | 15.88 |
| 06 | 1.375 | 34.93 | 0.562 | 14.27 | 0.750 | 19.05 |
| 07 | 1.500 | 38.10 | 0.687 | 17.45 | 0.875 | 22.23 |
| 08 | 1.625 | 41.28 | 0.812 | 20.62 | 1.000 | 25.40 |
| 09 | 1.750 | 44.45 | 0.937 | 23.80 | 1.125 | 28.58 |
| 10 | 1.875 | 47.63 | 1.062 | 26.97 | 1.250 | 31.75 |

Note: All dimensions are in inches and millimeters (inch/mm). For complete dimensions, see the applicable Military Specification. Cable entry is defined as the envelope area of the cable or wire bundle. It is not intended for inspection criteria.

AS85049/31 Series Grommet nut - Aluminum, straight

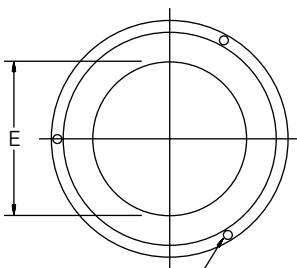
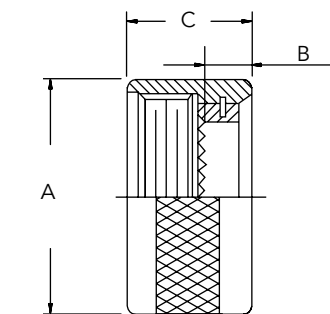
For connectors :

- AS50151 crimp
- EN2997 & EN3646
- MIL-DTL-26482 Series 2
- MIL-DTL-83723 Series 3

Ordering information

| | | | | |
|--|------------|---|----|---|
| Basic Series | AS85049/31 | S | 10 | W |
| Self-locking option | | | | |
| S: Self-locking, detented - utilizes an audible detented anti-decoupling device. | | | | |
| N: Non self-locking | | | | |
| Dash number | | | | |
| 8, 10, 12, 14, 16, 18, 20, 22, 24, 28, 32, 36, 40, 44, 46, 61 | | | | |
| Material and plating | | | | |
| A: Aluminum, anodized black | | | | |
| N: Aluminum, electroless nickel | | | | |
| W: Aluminum, olive drab cadmium over electroless nickel, 1000 hours salt spray | | | | |

Dimensions - Non self-locking version



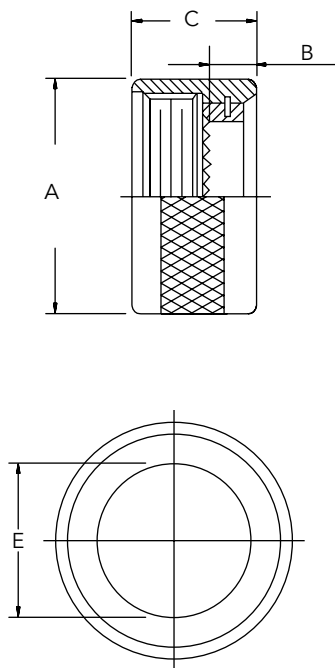
Holes for 0.20" / 0.51mm maxi dia safety wire for devices only (3 equally spaced)

| Shell size | Ø A maxi | | B maxi | | C maxi | | Ø E maxi | |
|------------|----------|-------|--------|-------|--------|-------|----------|-------|
| | inch | mm | inch | mm | inch | mm | inch | mm |
| 8 | 0.617 | 15.67 | 0.220 | 5.58 | 0.540 | 13.71 | 0.270 | 6.85 |
| 10 | 0.734 | 18.64 | | | | | 0.375 | 9.52 |
| 12 | 0.858 | 21.79 | | | | | 0.511 | 12.97 |
| 14 | 0.984 | 24.99 | | | | | 0.585 | 14.85 |
| 16 | 1.112 | 28.24 | | | | | 0.710 | 18.03 |
| 18 | 1.218 | 30.93 | | | | | 0.789 | 20.04 |
| 20 | 1.345 | 34.16 | | | | | 0.914 | 23.21 |
| 22 | 1.468 | 37.28 | | | 1.039 | 26.39 | | |
| 24 | 1.593 | 40.46 | | | 1.154 | 29.31 | | |
| 28 | 1.969 | 50.01 | | | 0.702 | 17.83 | 1.389 | 35.28 |
| 32 | 2.219 | 56.36 | | | | | 1.635 | 41.52 |
| 36 | 2.469 | 62.71 | | | | | 1.850 | 46.99 |
| 40 | 2.719 | 69.06 | | | | | 2.065 | 52.45 |
| 44 | 2.969 | 75.41 | | | | | 2.320 | 58.92 |
| 48 | 3.219 | 81.76 | 2.570 | 65.27 | | | | |
| 61 | 1.653 | 41.98 | 0.540 | 13.71 | | | 1.194 | 30.32 |

Note: All dimensions are in inches and millimeters (inch/mm). For complete dimensions, see the applicable Military Specification. Cable entry is defined as the envelope area of the cable or wire bundle. It is not intended for inspection criteria.

AS85049/31 Series (continued)
Grommet nut - Aluminum, straight

Dimensions - Self-locking version



| Shell size | Ø A maxi | | B maxi | | C maxi | | Ø E maxi | |
|------------|----------|-------|--------|-------|--------|-------|----------|-------|
| | inch | mm | inch | mm | inch | mm | inch | mm |
| 8 | 0.885 | 22.47 | 0.39 | 9.90 | 0.710 | 13.71 | 0.270 | 6.85 |
| 10 | 1.010 | 25.65 | | | | | 0.375 | 9.52 |
| 12 | 1.135 | 28.82 | | | | | 0.511 | 12.97 |
| 14 | 1.260 | 32.00 | | | | | 0.585 | 14.85 |
| 16 | 1.385 | 35.17 | | | | | 0.710 | 18.03 |
| 18 | 1.510 | 38.35 | | | | | 0.784 | 20.04 |
| 20 | 1.635 | 41.52 | | | | | 0.914 | 23.21 |
| 22 | 1.760 | 44.70 | | | | | 1.039 | 26.39 |
| 24 | 1.885 | 47.87 | | | | | 1.154 | 29.31 |
| 28 | 2.135 | 54.22 | | | | | 0.41 | 10.41 |
| 32 | 2.395 | 60.83 | 1.635 | 41.52 | | | | |
| 36 | 2.635 | 66.92 | 1.850 | 46.99 | | | | |
| 40 | 2.885 | 73.27 | 2.065 | 52.45 | | | | |
| 44 | 3.135 | 79.62 | 2.320 | 58.92 | | | | |
| 48 | 3.385 | 85.97 | 2.570 | 65.27 | | | | |

Note: All dimensions are in inches and millimeters (inch/mm). For complete dimensions, see the applicable Military Specification. Cable entry is defined as the envelope area of the cable or wire bundle. It is not intended for inspection criteria.

AS85049/33-2 Series EMI/RFI crimp ring backshell - Aluminum straight

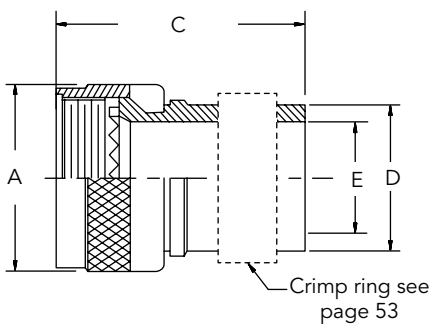
For connectors:

- MIL-DTL-27599
- MIL-DTL-38999 Series I & II

Ordering information

| | | | | | | | | | | | | | |
|--|--|-----------------------|----|----|----|----|----|----|----|----|--|----|---|
| Basic Series | | AS85049/33-2 | | | | | | | | | | 10 | W |
| Dash number | | Shell size 38999 I | | | | | | | | | | | |
| 08, 10, 12, 14, 16, 18, 20, 22, 24 | | 09 | 11 | 13 | 15 | 17 | 19 | 21 | 23 | 25 | | | |
| | | = Shell size 38999 II | | | | | | | | | | | |
| | | 08 | 10 | 12 | 14 | 16 | 18 | 20 | 22 | 24 | | | |
| Material and plating | | | | | | | | | | | | | |
| N: Aluminum, electroless nickel | | | | | | | | | | | | | |
| W: Aluminum, olive drab cadmium over electroless nickel, 1000 hours salt spray | | | | | | | | | | | | | |

Dimensions



| Dash number | Ø A maxi | | C maxi | | Ø D maxi | | Ø E maxi | |
|-------------|----------|-------|--------|-------|----------|-------|----------|-------|
| | inch | mm | inch | mm | inch | mm | inch | mm |
| 08 | 0.75 | 19.05 | 0.516 | 13.11 | 0.337 | 8.56 | 0.250 | 6.35 |
| 10 | 0.85 | 21.59 | 0.641 | 16.28 | 0.488 | 12.40 | 0.325 | 8.26 |
| 12 | 1.00 | 25.40 | 0.766 | 19.46 | 0.500 | 12.70 | 0.420 | 10.67 |
| 14 | 1.10 | 27.94 | 0.891 | 22.63 | 0.620 | 15.75 | 0.540 | 13.72 |
| 16 | 1.25 | 31.75 | 1.016 | 25.81 | 0.750 | 19.05 | 0.670 | 17.02 |
| 18 | 1.40 | 35.56 | 1.141 | 28.98 | 0.880 | 22.35 | 0.789 | 20.04 |
| 20 | 1.50 | 38.10 | 1.265 | 32.13 | 1.000 | 25.40 | 0.914 | 23.22 |
| 22 | 1.65 | 41.91 | 1.391 | 35.33 | 1.120 | 28.45 | 1.039 | 26.39 |
| 24 | 1.75 | 44.45 | 1.516 | 38.51 | 1.192 | 30.28 | 1.112 | 28.24 |

Note: All dimensions are in inches and millimeters (inch/mm). For complete dimensions, see the applicable Military Specification. Cable entry is defined as the envelope area of the cable or wire bundle. It is not intended for inspection criteria.

AS85049/36 Series

EMI/RFI non-environmental backshell - Aluminum straight

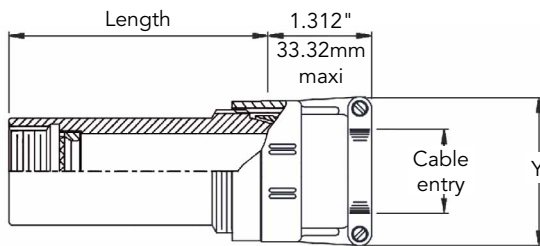
For connectors:

- MIL-DTL-27599
- MIL-DTL-38999 Series I & II

Ordering information

| | | | | | | | | | | | | | | | | | | | | | | | | | | | | | | | | | | |
|-----------------------|--|----|----|----|----|----|----|----|----|--|--------------------|----|----|----|----|----|----|----|----|----|-----------------------|----|----|----|----|----|----|----|----|----|--|--|--|--|
| Basic Series | | | | | | | | | | | AS85049/36 | 24 | W | 10 | | | | | | | | | | | | | | | | | | | | |
| Shell size | <table border="1"> <tr> <td>Shell size 38999 I</td> <td>09</td><td>11</td><td>13</td><td>15</td><td>17</td><td>19</td><td>21</td><td>23</td><td>25</td> </tr> <tr> <td>= Shell size 38999 II</td> <td>08</td><td>10</td><td>12</td><td>14</td><td>16</td><td>18</td><td>20</td><td>22</td><td>24</td> </tr> </table> | | | | | | | | | | Shell size 38999 I | 09 | 11 | 13 | 15 | 17 | 19 | 21 | 23 | 25 | = Shell size 38999 II | 08 | 10 | 12 | 14 | 16 | 18 | 20 | 22 | 24 | | | | |
| Shell size 38999 I | 09 | 11 | 13 | 15 | 17 | 19 | 21 | 23 | 25 | | | | | | | | | | | | | | | | | | | | | | | | | |
| = Shell size 38999 II | 08 | 10 | 12 | 14 | 16 | 18 | 20 | 22 | 24 | | | | | | | | | | | | | | | | | | | | | | | | | |
| Material and plating | <p>N: Aluminum, electroless nickel W: Aluminum, olive drab cadmium over electroless nickel, 1000 hours salt spray</p> | | | | | | | | | | | | | | | | | | | | | | | | | | | | | | | | | |
| Clamp size | 01, 02, 03, 04, 05, 06, 07, 08, 09, 10: See table below | | | | | | | | | | | | | | | | | | | | | | | | | | | | | | | | | |
| Length code | empty: Standard length - see table below A, B, C: See table below | | | | | | | | | | | | | | | | | | | | | | | | | | | | | | | | | |

Dimensions



Length code

| Code | Length $\pm 0.032"/0.80$ | |
|----------|--------------------------|-------|
| | inch | mm |
| Standard | 1.5 | 38.1 |
| A | 2.5 | 63.5 |
| B | 3.5 | 88.9 |
| C | 4.5 | 114.3 |

Clamp size

| Shell size | Clamp size | |
|------------|------------|------|
| | mini | maxi |
| 08 | 01 | 02 |
| 10 | 01 | 03 |
| 12 | 02 | 04 |
| 14 | 02 | 05 |
| 16 | 02 | 06 |
| 18 | 03 | 07 |
| 20 | 03 | 08 |
| 22 | 03 | 09 |
| 24 | 04 | 10 |

| Clamp size | Y maxi | | Cable entry mini | | Cable entry maxi | |
|------------|--------|-------|------------------|-------|------------------|-------|
| | inch | mm | inch | mm | inch | mm |
| 01 | 0.781 | 19.84 | 0.062 | 1.57 | 0.125 | 3.18 |
| 02 | 0.969 | 24.61 | 0.125 | 3.18 | 0.250 | 6.35 |
| 03 | 1.062 | 26.97 | 0.250 | 6.35 | 0.375 | 9.53 |
| 04 | 1.156 | 29.36 | 0.312 | 7.92 | 0.500 | 12.70 |
| 05 | 1.250 | 31.75 | 0.437 | 11.10 | 0.625 | 15.88 |
| 06 | 1.375 | 34.93 | 0.562 | 14.27 | 0.750 | 19.05 |
| 07 | 1.500 | 38.10 | 0.687 | 17.45 | 0.875 | 22.23 |
| 08 | 1.625 | 41.28 | 0.812 | 20.62 | 1.000 | 25.40 |
| 09 | 1.750 | 44.45 | 0.937 | 23.80 | 1.125 | 28.58 |
| 10 | 1.875 | 47.63 | 1.062 | 26.97 | 1.250 | 31.75 |

Note: All dimensions are in inches and millimeters (inch/mm). For complete dimensions, see the applicable Military Specification. Cable entry is defined as the envelope area of the cable or wire bundle. It is not intended for inspection criteria.

AS85049/37 Series

EMI/RFI non-environmental split backshell - Aluminum 90°

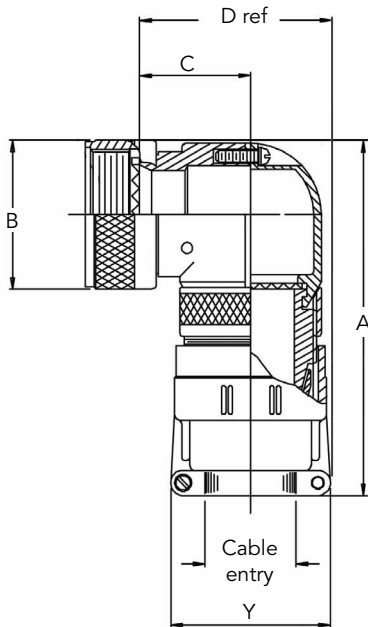
For connectors:

- MIL-DTL-27599
- MIL-DTL-38999 Series I & II

Ordering information

| | | | | | | | | | | | | | | | | | | | | | | | | | | | | | | | | | | | |
|-----------------------|----|--|----|----|----|----|----|----|----|--|--|--------------------|----|----|----|----|----|----|----|----|----|-----------------------|----|----|----|----|----|----|----|----|----|--|--|--|--|
| Basic Series | | AS85049/37 | | | | | | | | | | 24 | W | 05 | L | | | | | | | | | | | | | | | | | | | | |
| Shell size | | <table border="1"> <tr> <td>Shell size 38999 I</td> <td>09</td><td>11</td><td>13</td><td>15</td><td>17</td><td>19</td><td>21</td><td>23</td><td>25</td> </tr> <tr> <td>= Shell size 38999 II</td> <td>08</td><td>10</td><td>12</td><td>14</td><td>16</td><td>18</td><td>20</td><td>22</td><td>24</td> </tr> </table> | | | | | | | | | | Shell size 38999 I | 09 | 11 | 13 | 15 | 17 | 19 | 21 | 23 | 25 | = Shell size 38999 II | 08 | 10 | 12 | 14 | 16 | 18 | 20 | 22 | 24 | | | | |
| Shell size 38999 I | 09 | 11 | 13 | 15 | 17 | 19 | 21 | 23 | 25 | | | | | | | | | | | | | | | | | | | | | | | | | | |
| = Shell size 38999 II | 08 | 10 | 12 | 14 | 16 | 18 | 20 | 22 | 24 | | | | | | | | | | | | | | | | | | | | | | | | | | |
| Material and plating | | <p>N: Aluminum, electroless nickel</p> <p>W: Aluminum, olive drab cadmium over electroless nickel, 1000 hours salt spray</p> | | | | | | | | | | | | | | | | | | | | | | | | | | | | | | | | | |
| Clamp size | | 01, 02, 03, 04, 05, 06, 07, 08, 09 - See table below | | | | | | | | | | | | | | | | | | | | | | | | | | | | | | | | | |
| Hole | | <p>L: Encapsulating hole</p> <p>D: 3 drain holes</p> | | | | | | | | | | | | | | | | | | | | | | | | | | | | | | | | | |

Dimensions



| Dash number | Clamp size | | A maxi | | Ø B maxi | | C maxi | | D reference | |
|-------------|------------|------|--------|--------|----------|-------|--------|-------|-------------|-------|
| | mini | maxi | inch | mm | inch | mm | inch | mm | inch | mm |
| 08 | 01 | 02 | 2.88 | 73.15 | 0.750 | 19.05 | 0.720 | 18.29 | 1.21 | 30.73 |
| 10 | 01 | 03 | 2.92 | 74.17 | 0.850 | 21.59 | 0.720 | 18.29 | 1.25 | 31.75 |
| 12 | 02 | 04 | 3.06 | 77.72 | 1.000 | 25.40 | 0.800 | 20.32 | 1.36 | 34.54 |
| 14 | 02 | 05 | 3.24 | 82.30 | 1.100 | 27.94 | 0.850 | 21.59 | 1.47 | 37.33 |
| 16 | 02 | 06 | 3.44 | 87.38 | 1.250 | 31.75 | 0.910 | 23.11 | 1.60 | 40.64 |
| 18 | 03 | 06 | 3.73 | 94.74 | 1.400 | 35.56 | 1.000 | 25.40 | 1.75 | 44.44 |
| 20 | 03 | 07 | 3.94 | 100.08 | 1.500 | 38.10 | 1.050 | 26.67 | 1.82 | 46.22 |
| 22 | 03 | 08 | 4.14 | 105.16 | 1.650 | 41.91 | 1.100 | 27.94 | 1.97 | 50.03 |
| 24 | 04 | 09 | 4.19 | 106.43 | 1.750 | 44.45 | 1.200 | 30.48 | 2.15 | 54.60 |

| Clamp size | Y maxi | | Cable entry mini | | Cable entry maxi | |
|------------|--------|-------|------------------|-------|------------------|-------|
| | inch | mm | inch | mm | inch | mm |
| 01 | 0.781 | 19.84 | 0.062 | 1.57 | 0.125 | 3.18 |
| 02 | 0.969 | 24.61 | 0.125 | 3.18 | 0.250 | 6.35 |
| 03 | 1.062 | 26.97 | 0.250 | 6.35 | 0.375 | 9.53 |
| 04 | 1.156 | 29.36 | 0.312 | 7.92 | 0.500 | 12.70 |
| 05 | 1.250 | 31.75 | 0.437 | 11.10 | 0.625 | 15.88 |
| 06 | 1.375 | 34.93 | 0.562 | 14.27 | 0.750 | 19.05 |
| 07 | 1.500 | 38.10 | 0.687 | 17.45 | 0.875 | 22.23 |
| 08 | 1.625 | 41.28 | 0.812 | 20.62 | 1.000 | 25.40 |
| 09 | 1.750 | 44.45 | 0.937 | 23.80 | 1.125 | 28.58 |

Note: All dimensions are in inches and millimeters (inch/mm). For complete dimensions, see the applicable Military Specification. Cable entry is defined as the envelope area of the cable or wire bundle. It is not intended for inspection criteria.

AS85049/38 Series Cable clamp strain relief - Aluminum straight

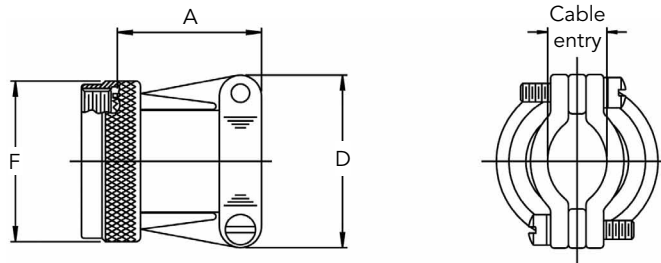
For connectors:

- MIL-DTL-38999 Series III & IV
- EN3645

Ordering information

| | | | | |
|---|-------------------|----------|-----------|----------|
| Basic Series | AS85049/38 | S | 11 | N |
| Self-locking option | | | | |
| S: Self-locking, detented - utilizes an audible detented anti-decoupling device. | | | | |
| N: Self-locking, non detented - utilizes an internal captivated anti-decoupling device (self-seating) with no audible clicking mechanism. | | | | |
| - : Non self-locking | | | | |
| Shell size | | | | |
| 9, 11, 13, 15, 16, 17, 19, 21, 23, 25 | | | | |
| Material and plating | | | | |
| A: Aluminum, black anodize | | | | |
| N: Aluminum, electroless nickel | | | | |
| S: Stainless steel, passivated | | | | |
| W: Aluminum, olive drab cadmium over electroless nickel, 500 hours salt spray | | | | |

Dimensions



| Shell size | A maxi | | D maxi | | Ø F maxi | | Cable entry mini | | Cable entry maxi | |
|------------|--------|-------|--------|-------|----------|-------|------------------|-------|------------------|-------|
| | inch | mm | inch | mm | inch | mm | inch | mm | inch | mm |
| 9 | 0.91 | 23.11 | 0.85 | 21.60 | 0.858 | 21.79 | 0.098 | 2.49 | 0.234 | 5.94 |
| 11 | 0.91 | 23.11 | 0.90 | 22.90 | 0.984 | 24.99 | 0.153 | 3.89 | 0.234 | 5.94 |
| 13 | 1.01 | 25.65 | 1.10 | 27.90 | 1.157 | 29.39 | 0.19 | 4.83 | 0.328 | 8.33 |
| 15 | 1.06 | 26.92 | 1.15 | 29.20 | 1.279 | 32.49 | 0.26 | 6.60 | 0.457 | 11.61 |
| 17 | 1.16 | 29.46 | 1.30 | 33.00 | 1.406 | 35.71 | 0.283 | 7.19 | 0.614 | 15.60 |
| 19 | 1.41 | 35.81 | 1.50 | 38.10 | 1.516 | 38.51 | 0.325 | 8.26 | 0.634 | 16.10 |
| 21 | 1.51 | 38.35 | 1.60 | 40.60 | 1.642 | 41.71 | 0.343 | 8.71 | 0.698 | 17.73 |
| 23 | 1.66 | 42.16 | 1.70 | 43.20 | 1.768 | 44.91 | 0.381 | 9.68 | 0.823 | 20.90 |
| 25 | 1.76 | 44.70 | 1.80 | 45.70 | 1.889 | 47.98 | 0.418 | 10.62 | 0.853 | 21.67 |

Note: All dimensions are in inches and millimeters (inch/mm). For complete dimensions, see the applicable Military Specification. Cable entry is defined as the envelope area of the cable or wire bundle. It is not intended for inspection criteria.

AS85049/39 Series Cable clamp strain relief - Aluminum 90°

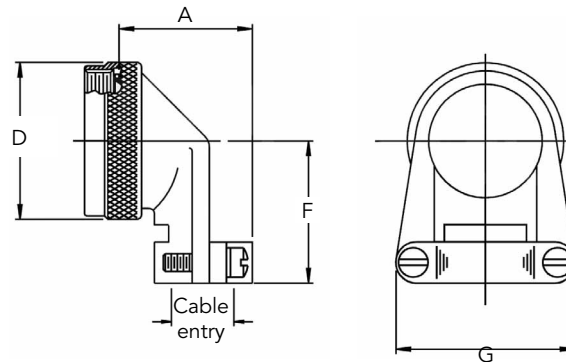
For connectors:

- MIL-DTL-38999 Series III & IV
- EN3645

Ordering information

| | | | | |
|---|-------------------|----------|-----------|----------|
| Basic Series | AS85049/39 | S | 11 | N |
| Self-locking option | | | | |
| S: Self-locking, detented - utilizes an audible detented anti-decoupling device. | | | | |
| N: Self-locking, non detented - utilizes an internal captivated anti-decoupling device (self-seating) with no audible clicking mechanism. | | | | |
| - : Non self-locking | | | | |
| Shell size | | | | |
| 9, 11, 13, 15, 16, 17, 19, 21, 23, 25 | | | | |
| Material and plating | | | | |
| A: Aluminum, black anodize | | | | |
| N: Aluminum, electroless nickel | | | | |
| S: Stainless steel, passivated | | | | |
| W: Aluminum, olive drab cadmium over electroless nickel, 500 hours salt spray | | | | |

Dimensions



| Shell size | A maxi | | Ø D maxi | | F maxi | | G maxi | | Cable entry mini | | Cable entry maxi | |
|------------|--------|-------|----------|-------|--------|------|--------|------|------------------|-------|------------------|-------|
| | inch | mm | inch | mm | inch | mm | inch | mm | inch | mm | inch | mm |
| 9 | 1.01 | 25.7 | 0.858 | 21.79 | 1.00 | 25.4 | 0.85 | 21.6 | 0.098 | 2.49 | 0.234 | 5.94 |
| 11 | 1.01 | 25.7 | 0.984 | 24.99 | 1.10 | 27.9 | 0.90 | 22.9 | 0.153 | 3.89 | 0.234 | 5.94 |
| 13 | 1.21 | 30.7 | 1.157 | 29.39 | 1.10 | 27.9 | 1.10 | 27.9 | 0.190 | 4.83 | 0.328 | 8.33 |
| 15 | 1.26 | 32.0 | 1.279 | 32.49 | 1.25 | 31.8 | 1.15 | 29.2 | 0.260 | 6.60 | 0.457 | 11.61 |
| 17 | 1.41 | 35.81 | 1.406 | 35.71 | 1.30 | 33.0 | 1.30 | 33.0 | 0.283 | 7.19 | 0.614 | 15.60 |
| 19 | 1.51 | 38.4 | 1.516 | 38.51 | 1.35 | 34.3 | 1.50 | 38.1 | 0.325 | 8.26 | 0.634 | 16.10 |
| 21 | 1.66 | 42.2 | 1.642 | 41.71 | 1.60 | 40.6 | 1.60 | 40.6 | 0.343 | 8.71 | 0.698 | 17.73 |
| 23 | 1.76 | 44.7 | 1.768 | 44.91 | 1.75 | 44.5 | 1.70 | 43.2 | 0.381 | 9.68 | 0.823 | 20.90 |
| 25 | 2.91 | 73.9 | 1.889 | 47.98 | 1.85 | 47.0 | 1.80 | 45.7 | 0.418 | 10.62 | 0.853 | 21.67 |

Note: All dimensions are in inches and millimeters (inch/mm). For complete dimensions, see the applicable Military Specification. Cable entry is defined as the envelope area of the cable or wire bundle. It is not intended for inspection criteria.

AS85049/42 Series Cable clamp strain relief - Aluminum straight

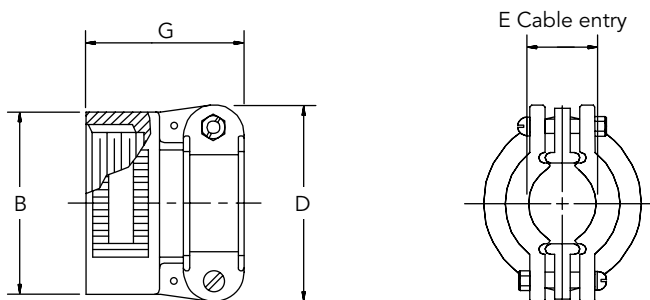
For connectors :

- AS50151 solder

Ordering information

| | | | |
|----------------------|---|-----|---|
| Basic Series | AS85049/42 | 10D | W |
| Dash number | 4D, 6D, 8D, 10D, 12D, 16D, 20D, 24D, 28D, 32D | | |
| Material and plating | N: Aluminum, electroless nickel W: Aluminum, olive drab cadmium over electroless nickel, 1000 hours salt spray | | |

Dimensions



| Shell size | B maxi | | D $\pm 0.020/0.50$ | | E Cable entry mini | | E Cable entry maxi | | G $\pm 0.020/0.50$ | |
|------------|--------|------|--------------------|------|--------------------|------|--------------------|------|--------------------|------|
| | inch | mm | inch | mm | inch | mm | inch | mm | inch | mm |
| 4D | 0.937 | 23.8 | 0.937 | 23.8 | 0.125 | 3.2 | 0.312 | 7.9 | 1.281 | 32.5 |
| 6D | 1.031 | 26.2 | 1.125 | 28.6 | 0.250 | 6.4 | 0.437 | 11.1 | 1.281 | 32.5 |
| 8D | 1.250 | 31.8 | 1.312 | 33.3 | 0.312 | 7.9 | 0.562 | 14.3 | 1.281 | 32.5 |
| 10D | 1.250 | 31.8 | 1.312 | 33.3 | 0.350 | 8.9 | 0.625 | 15.9 | 1.281 | 32.5 |
| 12D | 1.437 | 36.5 | 1.531 | 38.9 | 0.500 | 12.7 | 0.750 | 19.1 | 1.312 | 33.3 |
| 16D | 1.688 | 42.9 | 1.750 | 44.5 | 0.625 | 15.9 | 0.937 | 23.8 | 1.406 | 35.7 |
| 20D | 2.000 | 50.8 | 2.093 | 53.2 | 0.875 | 22.2 | 1.250 | 31.8 | 1.593 | 40.4 |
| 24D | 2.250 | 57.2 | 2.343 | 59.5 | 1.000 | 25.4 | 1.375 | 34.9 | 1.625 | 41.3 |
| 28D | 2.500 | 63.5 | 2.750 | 69.9 | 1.250 | 31.8 | 1.625 | 41.3 | 1.900 | 48.3 |
| 32D | 2.750 | 69.9 | 3.000 | 76.2 | 1.437 | 36.5 | 1.875 | 47.6 | 1.900 | 48.3 |

Note: All dimensions are in inches and millimeters (inch/mm). For complete dimensions, see the applicable Military Specification. Cable entry is defined as the envelope area of the cable or wire bundle. It is not intended for inspection criteria.

AS85049/43 Series Cable clamp strain relief - Aluminum 45°

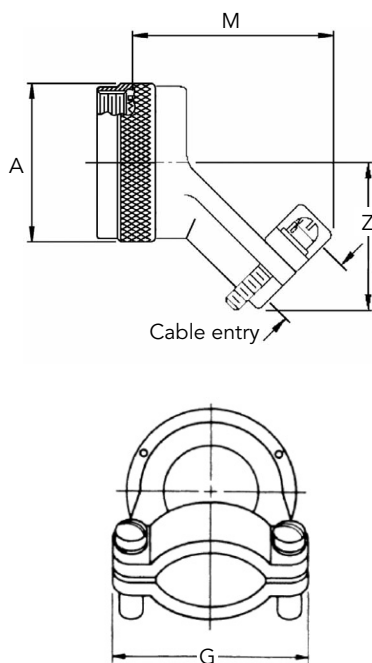
For connectors :

- AS50151 solder
- EN2997 & EN3646
- MIL-DTL-26482 Series 2
- MIL-DTL-83723 Series 3

Ordering information

| | | | | |
|--|-------------------|---|-----------|----------|
| Basic Series | AS85049/43 | - | 10 | N |
| Self-locking option | | | | |
| - : Non self-locking | | | | |
| Shell size | | | | |
| 8, 10, 12, 14, 16, 18, 20, 22, 24, 28, 32, 36, 40, 44, 48 | | | | |
| Material and plating | | | | |
| N: Aluminum, electroless nickel | | | | |
| W: Aluminum, olive drab cadmium over electroless nickel, 1000 hours salt spray | | | | |

Dimensions



| Shell size | Ø A maxi | | Gmaxi | | M maxi | | Z maxi | | Cable entry mini | | Cable entry maxi | |
|------------|----------|-------|-------|-------|--------|-------|--------|-------|------------------|-------|------------------|-------|
| | inch | mm | inch | mm | inch | mm | inch | mm | inch | mm | inch | mm |
| 8 | 0.617 | 15.67 | 0.782 | 19.86 | 1.650 | 41.91 | 0.772 | 19.61 | 0.125 | 3.20 | 0.204 | 5.20 |
| 10 | 0.734 | 18.64 | 0.862 | 21.89 | 1.694 | 43.03 | 0.803 | 20.40 | 0.187 | 4.70 | 0.286 | 7.30 |
| 12 | 0.858 | 21.79 | 1.018 | 25.86 | 1.768 | 44.91 | 0.866 | 21.00 | 0.291 | 7.40 | 0.416 | 10.60 |
| 14 | 0.984 | 24.99 | 1.076 | 27.33 | 1.840 | 46.74 | 0.928 | 23.57 | 0.351 | 8.90 | 0.476 | 12.10 |
| 16 | 1.112 | 28.24 | 1.349 | 34.26 | 1.916 | 48.67 | 0.991 | 25.17 | 0.501 | 12.70 | 0.625 | 15.90 |
| 18 | 1.218 | 30.93 | 1.481 | 37.62 | 2.034 | 51.66 | 1.110 | 28.19 | 0.518 | 13.20 | 0.706 | 17.90 |
| 20 | 1.345 | 34.16 | 1.587 | 40.31 | 2.078 | 52.78 | 1.172 | 29.77 | 0.581 | 14.80 | 0.831 | 21.10 |
| 22 | 1.468 | 37.28 | 1.688 | 42.88 | 2.122 | 53.90 | 1.235 | 31.37 | 0.644 | 16.40 | 0.956 | 24.30 |
| 24 | 1.593 | 40.46 | 1.805 | 45.85 | 2.166 | 55.02 | 1.297 | 32.94 | 0.706 | 17.90 | 1.081 | 27.50 |
| 28 | 1.969 | 50.01 | 2.050 | 52.07 | 2.461 | 62.51 | 1.543 | 39.19 | 0.750 | 19.10 | 1.187 | 30.10 |
| 32 | 2.219 | 56.36 | 2.416 | 61.37 | 2.549 | 64.75 | 1.668 | 42.37 | 0.875 | 22.20 | 1.250 | 31.80 |
| 36 | 2.469 | 62.71 | 2.526 | 64.16 | 2.595 | 65.91 | 1.793 | 45.54 | 0.938 | 23.80 | 1.375 | 34.90 |
| 40 | 2.719 | 69.06 | 2.596 | 65.94 | 2.599 | 66.01 | 1.918 | 48.72 | 0.938 | 23.80 | 1.500 | 38.10 |
| 44 | 2.969 | 75.41 | 2.890 | 73.41 | 2.860 | 72.64 | 2.132 | 54.15 | 1.188 | 30.20 | 1.750 | 44.50 |
| 48 | 3.219 | 81.76 | 3.374 | 85.70 | 2.918 | 74.12 | 2.257 | 57.33 | 1.312 | 33.30 | 1.875 | 47.60 |

Note: All dimensions are in inches and millimeters (inch/mm). For complete dimensions, see the applicable Military Specification. Cable entry is defined as the envelope area of the cable or wire bundle. It is not intended for inspection criteria.

AS85049/45 Series

Strain relief - Flexible plastic body - Straight

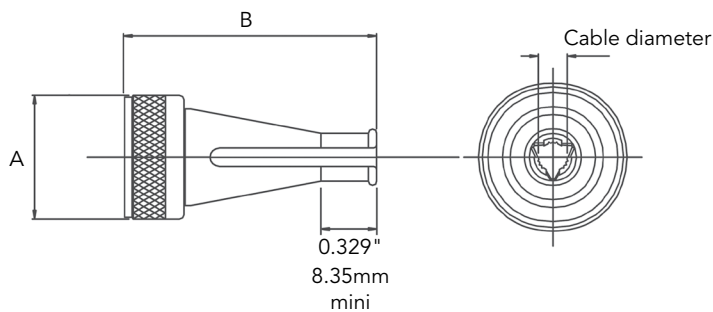
For connectors:

- MIL-DTL-38999 Series I & II
- MIL-DTL-27599

Ordering information

| | | | | | | | | | | | |
|--|--|-----------------------|----|----------|-----------|----|----|----|----|----|----|
| Basic Series | | AS85049/45 | | W | 10 | | | | | | |
| Material and plating | | | | | | | | | | | |
| A: Aluminum, black anodize | | | | | | | | | | | |
| W: Aluminum, olive drab cadmium over electroless nickel, 1000 hours salt spray | | | | | | | | | | | |
| Dash number | | | | | | | | | | | |
| 08, 10, 12, 14, 16, 18, 20, 22, 24 | | Shell size 38999 I | 09 | 11 | 13 | 15 | 17 | 19 | 21 | 23 | 25 |
| | | = Shell size 38999 II | 08 | 10 | 12 | 14 | 16 | 18 | 20 | 22 | 24 |

Dimensions



| Dash number | Ø A maxi | | B maxi | | Cable diameter mini | | Cable diameter maxi | |
|-------------|----------|-------|--------|-------|---------------------|------|---------------------|-------|
| | inch | mm | inch | mm | inch | mm | inch | mm |
| 08 | 0.578 | 14.68 | 1.344 | 34.14 | 0.094 | 2.39 | 0.203 | 5.16 |
| 10 | 0.703 | 17.86 | | | 0.141 | 3.58 | 0.250 | 6.35 |
| 12 | 0.828 | 21.03 | | | 0.172 | 4.37 | 0.323 | 8.20 |
| 14 | 0.953 | 24.21 | | | 0.203 | 5.16 | 0.422 | 10.72 |
| 16 | 1.078 | 27.38 | | | 0.234 | 5.94 | 0.500 | 12.70 |
| 18 | 1.203 | 30.56 | | | 0.265 | 6.73 | 0.562 | 14.27 |
| 20 | 1.328 | 33.73 | 1.422 | 36.12 | 0.297 | 7.54 | 0.625 | 15.88 |
| 22 | 1.453 | 36.91 | | | 0.328 | 8.33 | 0.703 | 17.86 |
| 24 | 1.578 | 40.08 | | | 0.359 | 9.12 | 0.765 | 19.43 |

Note: All dimensions are in inches and millimeters (inch/mm). For complete dimensions, see the applicable Military Specification. Cable entry is defined as the envelope area of the cable or wire bundle. It is not intended for inspection criteria.

AS85049/46 Series

Strain relief - Flexible plastic body - 90°

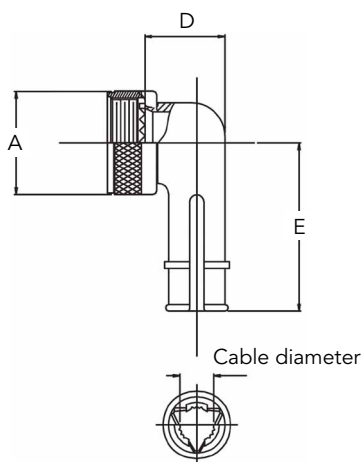
For connectors:

- MIL-DTL-38999 Series I & II
- MIL-DTL-27599

Ordering information

| | | | | | | | | | | | | | |
|---|------------------|----|----|----|----|----|----|----|----|----|-------------------|----------|-----------|
| Basic Series | | | | | | | | | | | AS85049/46 | W | 10 |
| Material and plating | | | | | | | | | | | | | |
| A: Aluminum, black anodize | | | | | | | | | | | | | |
| W: Aluminum, olive drab cadmium over electroless nickel, 1000 hours salt spray | | | | | | | | | | | | | |
| Dash number | | | | | | | | | | | | | |
| 08, 10, 12, 14, 16, 18, 20, 22, 24 | Shell size 8T | 09 | 11 | 13 | 15 | 17 | 19 | 21 | 23 | 25 | | | |
| | = Shell size 8LT | 08 | 10 | 12 | 14 | 16 | 18 | 20 | 22 | 24 | | | |

Dimensions



| Dash number | Ø A maxi | | D maxi | | E maxi | | Cable diameter mini | | Cable diameter maxi | |
|-------------|----------|-------|--------|-------|--------|-------|---------------------|------|---------------------|-------|
| | inch | mm | inch | mm | inch | mm | inch | mm | inch | mm |
| 08 | 0.578 | 14.68 | 0.656 | 16.66 | 1.015 | 25.78 | 0.094 | 2.39 | 0.203 | 5.16 |
| 10 | 0.703 | 17.86 | 0.688 | 17.48 | 1.062 | 26.97 | 0.141 | 3.58 | 0.250 | 6.35 |
| 12 | 0.828 | 21.03 | 0.750 | 19.05 | 1.125 | 28.58 | 0.172 | 4.37 | 0.323 | 8.20 |
| 14 | 0.953 | 24.21 | 0.859 | 21.82 | 1.328 | 33.73 | 0.203 | 5.16 | 0.422 | 10.72 |
| 16 | 1.078 | 27.38 | 0.937 | 23.80 | 1.392 | 35.36 | 0.234 | 5.94 | 0.500 | 12.70 |
| 18 | 1.203 | 30.56 | 1.000 | 25.40 | 1.453 | 36.91 | 0.265 | 6.73 | 0.562 | 14.27 |
| 20 | 1.328 | 33.73 | 1.062 | 26.97 | 1.609 | 40.87 | 0.297 | 7.54 | 0.625 | 15.88 |
| 22 | 1.453 | 36.91 | 1.141 | 28.98 | 1.656 | 42.06 | 0.328 | 8.33 | 0.703 | 17.86 |
| 24 | 1.578 | 40.08 | 1.203 | 30.56 | 1.719 | 43.66 | 0.359 | 9.12 | 0.765 | 19.43 |

Note: All dimensions are in inches and millimeters (inch/mm). For complete dimensions, see the applicable Military Specification. Cable entry is defined as the envelope area of the cable or wire bundle. It is not intended for inspection criteria.

AS85049/47 Series

Cable clamp strain relief - Aluminum 90°

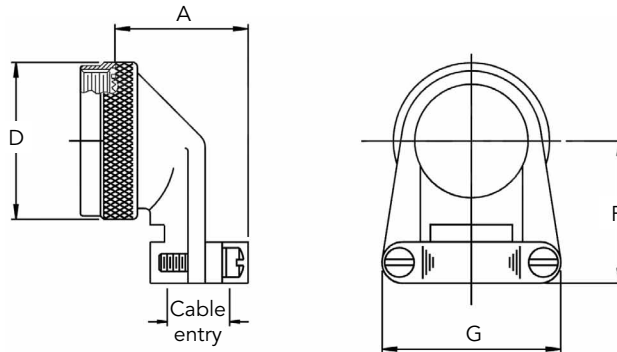
For connectors:

- MIL-DTL-27599
- MIL-DTL-38999 Series I & II

Ordering information

| | | | | | | | | | | | | | | | | | | | | | | | | | | | | | | | | | | | | | | | | | |
|--|-------------------|----|----|----|----|----|----|----|----|--|----------|----------|-----------|--------------------|----|----|----|----|----|----|----|----|----|--|--|--|--|-----------------------|----|----|----|----|----|----|----|----|----|--|--|--|--|
| Basic Series | AS85049/47 | | | | | | | | | | S | W | 10 | | | | | | | | | | | | | | | | | | | | | | | | | | | | |
| Self-locking option | | | | | | | | | | | | | | | | | | | | | | | | | | | | | | | | | | | | | | | | | |
| S: Self-locking, detented - utilizes an audible detented anti-decoupling device. | | | | | | | | | | | | | | | | | | | | | | | | | | | | | | | | | | | | | | | | | |
| N: Self-locking, non detented - utilizes an internal captivated anti-decoupling device (self-seating) with no audible clicking mechanism. | | | | | | | | | | | | | | | | | | | | | | | | | | | | | | | | | | | | | | | | | |
| - : Non self-locking | | | | | | | | | | | | | | | | | | | | | | | | | | | | | | | | | | | | | | | | | |
| Material and plating | | | | | | | | | | | | | | | | | | | | | | | | | | | | | | | | | | | | | | | | | |
| N: Aluminum, electroless nickel | | | | | | | | | | | | | | | | | | | | | | | | | | | | | | | | | | | | | | | | | |
| W: Aluminum, olive drab cadmium over electroless nickel, 1000 hours salt spray | | | | | | | | | | | | | | | | | | | | | | | | | | | | | | | | | | | | | | | | | |
| Dash number | | | | | | | | | | | | | | | | | | | | | | | | | | | | | | | | | | | | | | | | | |
| 08, 10, 12, 14, 16, 18, 20, 22, 24 | | | | | | | | | | | | | | | | | | | | | | | | | | | | | | | | | | | | | | | | | |
| <table border="1"> <tr> <td>Shell size 38999 I</td> <td>09</td> <td>11</td> <td>13</td> <td>15</td> <td>17</td> <td>19</td> <td>21</td> <td>23</td> <td>25</td> <td colspan="4"></td> </tr> <tr> <td>= Shell size 38999 II</td> <td>08</td> <td>10</td> <td>12</td> <td>14</td> <td>16</td> <td>18</td> <td>20</td> <td>22</td> <td>24</td> <td colspan="4"></td> </tr> </table> | | | | | | | | | | | | | | Shell size 38999 I | 09 | 11 | 13 | 15 | 17 | 19 | 21 | 23 | 25 | | | | | = Shell size 38999 II | 08 | 10 | 12 | 14 | 16 | 18 | 20 | 22 | 24 | | | | |
| Shell size 38999 I | 09 | 11 | 13 | 15 | 17 | 19 | 21 | 23 | 25 | | | | | | | | | | | | | | | | | | | | | | | | | | | | | | | | |
| = Shell size 38999 II | 08 | 10 | 12 | 14 | 16 | 18 | 20 | 22 | 24 | | | | | | | | | | | | | | | | | | | | | | | | | | | | | | | | |

Dimensions



| Dash number | A maxi | | Ø D maxi | | F maxi | | G maxi | | Cable entry mini | | Cable entry maxi | |
|-------------|--------|------|----------|------|--------|-------|--------|------|------------------|-------|------------------|-------|
| | inch | mm | inch | mm | inch | mm | inch | mm | inch | mm | inch | mm |
| 08 | 1.16 | 29.5 | 0.86 | 21.8 | 1.00 | 25.4 | 0.85 | 21.6 | 0.098 | 2.49 | 0.234 | 5.94 |
| 10 | 1.16 | 29.5 | 0.98 | 24.9 | 1.10 | 27.9 | 0.90 | 22.9 | 0.153 | 3.89 | 0.234 | 5.94 |
| 12 | 1.24 | 31.5 | 1.16 | 29.5 | 1.10 | 27.9 | 1.10 | 27.9 | 0.190 | 4.83 | 0.328 | 8.33 |
| 14 | 1.41 | 35.8 | 1.28 | 32.5 | 1.25 | 31.8 | 1.15 | 29.2 | 0.260 | 6.60 | 0.457 | 11.61 |
| 16 | 1.58 | 40.1 | 1.41 | 35.8 | 1.30 | 33.0 | 1.30 | 33.0 | 0.283 | 7.19 | 0.614 | 15.60 |
| 18 | 1.60 | 40.6 | 1.52 | 38.6 | 1.35 | 34.3 | 1.50 | 38.1 | 0.325 | 8.26 | 0.634 | 16.10 |
| 20 | 1.68 | 42.7 | 1.64 | 41.7 | 1.60 | 40.60 | 1.60 | 40.6 | 0.343 | 8.71 | 0.698 | 17.73 |
| 22 | 1.82 | 46.2 | 1.77 | 45.0 | 1.75 | 44.5 | 1.70 | 43.2 | 0.381 | 9.68 | 0.823 | 20.90 |
| 24 | 1.93 | 49.0 | 1.89 | 48.0 | 1.85 | 47.0 | 1.80 | 45.7 | 0.418 | 10.62 | 0.853 | 21.67 |

Note: All dimensions are in inches and millimeters (inch/mm). For complete dimensions, see the applicable Military Specification. Cable entry is defined as the envelope area of the cable or wire bundle. It is not intended for inspection criteria.

AS85049/49-2 Series

Cable clamp strain relief - Aluminum straight

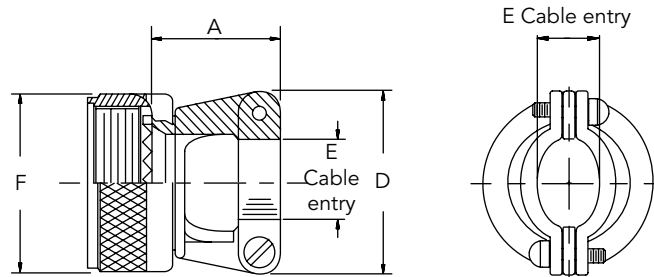
For connectors:

- MIL-DTL-27599
- MIL-DTL-38999 Series I & II

Ordering information

| | | | | | | | | | | | | | | | | | | | | | | | | | | | | | | | | | |
|---|----|--|----|----|----|----|----|----|----|--|--|----------|-----------|--------------------|----|----|----|----|----|----|----|----|----|-----------------------|----|----|----|----|----|----|----|----|----|
| Basic Series | | AS85049/49-2 | | | | | | | | | | S | 10 | N | | | | | | | | | | | | | | | | | | | |
| Self-locking option | | | | | | | | | | | | | | | | | | | | | | | | | | | | | | | | | |
| S: Self-locking, detented - utilizes an audible detented anti-decoupling device. | | | | | | | | | | | | | | | | | | | | | | | | | | | | | | | | | |
| N: Self-locking, non detented - utilizes an internal captivated anti-decoupling device (self-seating) with no audible clicking mechanism. | | | | | | | | | | | | | | | | | | | | | | | | | | | | | | | | | |
| - : Non self-locking | | | | | | | | | | | | | | | | | | | | | | | | | | | | | | | | | |
| Shell size | | | | | | | | | | | | | | | | | | | | | | | | | | | | | | | | | |
| 8, 10, 12, 14, 16, 18, 20, 22, 24 | | <table border="1"> <tr> <td>Shell size 38999 I</td> <td>09</td><td>11</td><td>13</td><td>15</td><td>17</td><td>19</td><td>21</td><td>23</td><td>25</td> </tr> <tr> <td>= Shell size 38999 II</td> <td>08</td><td>10</td><td>12</td><td>14</td><td>16</td><td>18</td><td>20</td><td>22</td><td>24</td> </tr> </table> | | | | | | | | | | | | Shell size 38999 I | 09 | 11 | 13 | 15 | 17 | 19 | 21 | 23 | 25 | = Shell size 38999 II | 08 | 10 | 12 | 14 | 16 | 18 | 20 | 22 | 24 |
| Shell size 38999 I | 09 | 11 | 13 | 15 | 17 | 19 | 21 | 23 | 25 | | | | | | | | | | | | | | | | | | | | | | | | |
| = Shell size 38999 II | 08 | 10 | 12 | 14 | 16 | 18 | 20 | 22 | 24 | | | | | | | | | | | | | | | | | | | | | | | | |
| Material and plating | | | | | | | | | | | | | | | | | | | | | | | | | | | | | | | | | |
| A: Aluminum, black anodize | | | | | | | | | | | | | | | | | | | | | | | | | | | | | | | | | |
| N: Aluminum, electroless nickel | | | | | | | | | | | | | | | | | | | | | | | | | | | | | | | | | |
| S: Stainless steel, passivated | | | | | | | | | | | | | | | | | | | | | | | | | | | | | | | | | |
| W: Aluminum, olive drab cadmium over electroless nickel, 1000 hours salt spray | | | | | | | | | | | | | | | | | | | | | | | | | | | | | | | | | |

Dimensions



| Shell size | A maxi | | D maxi | | E Cable entry mini | | E Cable entry maxi | | Ø F maxi | |
|------------|--------|------|--------|------|--------------------|-------|--------------------|-------|----------|------|
| | inch | mm | inch | mm | inch | mm | inch | mm | inch | mm |
| 8 | 0.91 | 23.1 | 0.85 | 21.6 | 0.098 | 2.49 | 0.234 | 5.94 | 0.86 | 21.8 |
| 10 | 0.91 | 23.1 | 0.91 | 23.1 | 0.153 | 3.89 | 0.234 | 5.94 | 0.98 | 24.9 |
| 12 | 1.01 | 25.7 | 1.10 | 27.9 | 0.190 | 4.83 | 0.328 | 8.33 | 1.16 | 29.5 |
| 14 | 1.06 | 26.9 | 1.15 | 29.2 | 0.260 | 6.60 | 0.457 | 11.61 | 1.28 | 32.5 |
| 16 | 1.16 | 29.5 | 1.30 | 33.0 | 0.283 | 7.19 | 0.614 | 15.60 | 1.41 | 35.8 |
| 18 | 1.41 | 35.8 | 1.50 | 38.1 | 0.325 | 8.26 | 0.634 | 16.10 | 1.52 | 38.6 |
| 20 | 1.51 | 38.4 | 1.60 | 40.6 | 0.343 | 8.71 | 0.698 | 17.73 | 1.64 | 41.7 |
| 22 | 1.66 | 42.2 | 1.70 | 43.2 | 0.381 | 9.68 | 0.823 | 20.90 | 1.77 | 45.0 |
| 24 | 1.76 | 44.7 | 1.80 | 45.7 | 0.418 | 10.62 | 0.853 | 21.67 | 1.89 | 48.0 |

Note: All dimensions are in inches and millimeters (inch/mm). For complete dimensions, see the applicable Military Specification. Cable entry is defined as the envelope area of the cable or wire bundle. It is not intended for inspection criteria.

AS85049/51 Series Cable clamp strain relief - Aluminum 90°

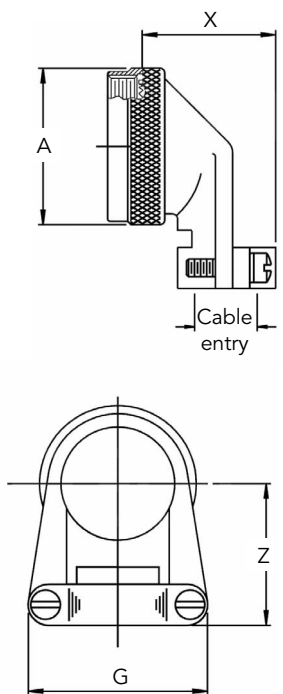
For connectors:

- AS50151 solder
- EN2997 & EN3646
- MIL-DTL-26482 Series 2
- MIL-DTL-83723 Series 3

Ordering information

| | | | | |
|---|-------------------|----------|-----------|----------|
| Basic Series | AS85049/51 | S | 10 | N |
| Self-locking option | | | | |
| S: Self-locking, detented - utilizes an audible detented anti-decoupling device. | | | | |
| N: Self-locking, non detented - utilizes an internal captivated anti-decoupling device (self-seating) with no audible clicking mechanism. | | | | |
| -1: Non self-locking | | | | |
| Dash number | | | | |
| 8, 10, 12, 14, 16, 18, 20, 22, 21, 28, 32, 36, 40, 44, 48 | | | | |
| Material and plating | | | | |
| A: Aluminum, black anodize | | | | |
| N: Aluminum, electroless nickel | | | | |
| W: Aluminum, olive drab cadmium over electroless nickel, 1000 hours salt spray | | | | |

Dimensions - Non-self locking version

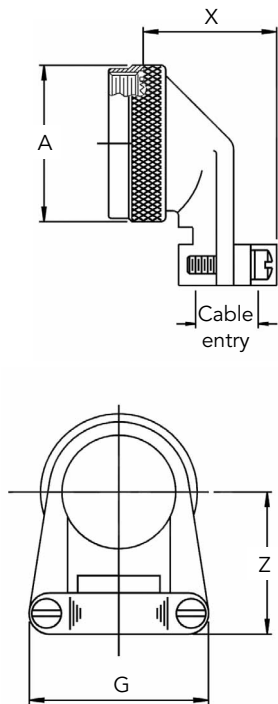


| Dash num. | Ø A maxi | | G maxi | | X maxi | | Z $\pm 0.062/1.57$ | | Cable entry mini | | Cable entry maxi | |
|-----------|----------|------|--------|------|--------|------|--------------------|------|------------------|------|------------------|------|
| | inch | mm | inch | mm | inch | mm | inch | mm | inch | mm | inch | mm |
| 8 | 0.617 | 15.6 | 0.782 | 19.9 | 0.78 | 19.8 | 0.746 | 18.9 | 0.125 | 3.2 | 0.204 | 5.2 |
| 10 | 0.734 | 18.6 | 0.862 | 21.9 | 0.86 | 21.8 | 0.805 | 20.4 | 0.187 | 4.7 | 0.286 | 7.3 |
| 12 | 0.858 | 21.7 | 1.003 | 25.5 | 1.05 | 26.6 | 0.867 | 22.0 | 0.291 | 7.4 | 0.416 | 10.6 |
| 14 | 0.984 | 24.9 | 1.061 | 26.9 | 1.11 | 28.1 | 0.930 | 23.6 | 0.351 | 8.9 | 0.476 | 12.1 |
| 16 | 1.112 | 28.2 | 1.334 | 33.9 | 1.26 | 32.0 | 0.994 | 25.2 | 0.501 | 12.7 | 0.626 | 15.9 |
| 18 | 1.218 | 30.9 | 1.466 | 37.2 | 1.37 | 34.7 | 1.171 | 29.7 | 0.518 | 13.2 | 0.706 | 17.9 |
| 20 | 1.345 | 34.1 | 1.572 | 39.9 | 1.50 | 38.0 | 1.234 | 31.2 | 0.581 | 14.8 | 0.831 | 21.1 |
| 22 | 1.468 | 37.2 | 1.688 | 42.9 | 1.62 | 41.1 | 1.296 | 32.9 | 0.644 | 16.4 | 0.956 | 24.3 |
| 24 | 1.593 | 40.4 | 1.790 | 45.5 | 1.75 | 44.4 | 1.358 | 34.5 | 0.706 | 17.9 | 1.081 | 27.5 |
| 28 | 1.969 | 50.0 | 2.035 | 51.7 | 1.89 | 48.0 | 1.572 | 39.9 | 0.750 | 19.1 | 1.187 | 30.1 |
| 32 | 2.219 | 56.3 | 2.386 | 60.6 | 1.95 | 49.5 | 1.797 | 45.6 | 0.875 | 22.2 | 1.250 | 31.8 |
| 36 | 2.469 | 62.7 | 2.496 | 63.4 | 2.07 | 52.5 | 1.922 | 48.8 | 0.938 | 23.8 | 1.375 | 34.9 |
| 40 | 2.719 | 69.0 | 2.566 | 65.2 | 2.20 | 55.8 | 2.047 | 52.0 | 0.938 | 23.8 | 1.500 | 38.1 |
| 44 | 2.969 | 75.4 | 2.860 | 72.6 | 2.45 | 62.2 | 2.296 | 58.3 | 1.188 | 30.2 | 1.750 | 44.5 |
| 48 | 3.219 | 81.7 | 3.344 | 84.9 | 2.57 | 65.2 | 2.421 | 61.5 | 1.312 | 33.3 | 1.875 | 47.6 |

Note: All dimensions are in inches and millimeters (inch/mm). For complete dimensions, see the applicable Military Specification. Cable entry is defined as the envelope area of the cable or wire bundle. It is not intended for inspection criteria.

AS85049/51 Series (continued)
Cable clamp strain relief - Aluminum 90°

Dimensions - Self-locking version



| Dash num. | Ø A maxi | | G maxi | | X maxi | | Z $\pm 0.062/1.57$ | | Cable entry mini | | Cable entry maxi | |
|-----------|----------|------|--------|------|--------|------|--------------------|------|------------------|------|------------------|------|
| | inch | mm | inch | mm | inch | mm | inch | mm | inch | mm | inch | mm |
| 8 | 0.885 | 22.5 | 0.782 | 19.9 | 0.93 | 23.6 | 0.746 | 18.9 | 0.125 | 3.2 | 0.204 | 5.2 |
| 10 | 1.010 | 25.7 | 0.862 | 21.9 | 1.02 | 25.9 | 0.805 | 20.4 | 0.187 | 4.7 | 0.286 | 7.3 |
| 12 | 1.135 | 28.8 | 1.003 | 25.5 | 1.21 | 30.7 | 0.867 | 22.0 | 0.291 | 7.4 | 0.416 | 10.6 |
| 14 | 1.260 | 32.0 | 1.061 | 26.9 | 1.27 | 32.2 | 0.930 | 23.6 | 0.351 | 8.9 | 0.476 | 12.1 |
| 16 | 1.385 | 35.2 | 1.334 | 33.9 | 1.42 | 36.0 | 0.994 | 25.2 | 0.501 | 12.7 | 0.626 | 15.9 |
| 18 | 1.510 | 38.4 | 1.466 | 37.2 | 1.53 | 38.8 | 1.171 | 29.7 | 0.518 | 13.2 | 0.706 | 17.9 |
| 20 | 1.635 | 41.5 | 1.572 | 39.9 | 1.65 | 41.9 | 1.234 | 31.2 | 0.581 | 14.8 | 0.831 | 21.1 |
| 22 | 1.760 | 44.7 | 1.688 | 42.9 | 1.78 | 45.2 | 1.296 | 32.9 | 0.644 | 16.4 | 0.956 | 24.3 |
| 24 | 1.885 | 47.9 | 1.790 | 45.5 | 1.90 | 48.2 | 1.358 | 34.5 | 0.706 | 17.9 | 0.081 | 27.5 |
| 28 | 2.135 | 54.2 | 2.035 | 51.7 | 2.20 | 55.8 | 1.572 | 39.9 | 0.750 | 19.1 | 1.187 | 30.1 |
| 32 | 2.395 | 60.8 | 2.386 | 60.6 | 2.27 | 57.6 | 1.797 | 45.6 | 0.875 | 22.2 | 1.250 | 31.8 |
| 36 | 2.635 | 66.9 | 2.496 | 63.4 | 2.39 | 60.7 | 1.922 | 48.8 | 0.938 | 23.8 | 1.375 | 34.9 |
| 40 | 2.885 | 73.3 | 2.566 | 65.2 | 2.52 | 64.0 | 2.047 | 52.0 | 0.938 | 23.8 | 1.500 | 38.1 |
| 44 | 3.135 | 79.6 | 2.860 | 72.6 | 2.77 | 70.3 | 2.296 | 58.3 | 1.188 | 30.2 | 1.750 | 44.5 |
| 48 | 3.385 | 86.0 | 3.344 | 84.9 | 2.89 | 73.4 | 2.421 | 61.5 | 1.312 | 33.3 | 1.875 | 47.6 |

Note: All dimensions are in inches and millimeters (inch/mm). For complete dimensions, see the applicable Military Specification. Cable entry is defined as the envelope area of the cable or wire bundle. It is not intended for inspection criteria.

AS85049/52 Series Cable clamp strain relief - Aluminum straight

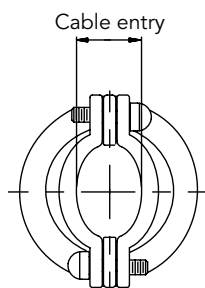
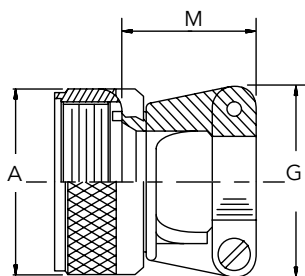
For connectors:

- AS50151 solder
- EN2997 & EN3646
- MIL-DTL-26482 Series 2
- MIL-DTL-83723 Series 3

Ordering information

| | | | | |
|---|-------------------|----------|-----------|----------|
| Basic Series | AS85049/52 | S | 10 | N |
| Self-locking option | | | | |
| S: Self-locking, detented - utilizes an audible detented anti-decoupling device. | | | | |
| N: Self-locking, non detented - utilizes an internal captivated anti-decoupling device (self-seating) with no audible clicking mechanism. | | | | |
| -1: Non self-locking | | | | |
| Dash number | | | | |
| 8, 10, 12, 14, 16, 18, 20, 22, 21, 28, 32, 36, 40, 44, 48 | | | | |
| Material and plating | | | | |
| A: Aluminum, black anodize | | | | |
| N: Aluminum, electroless nickel | | | | |
| W: Aluminum, olive drab cadmium over electroless nickel, 1000 hours salt spray | | | | |

Dimensions Non-self locking version

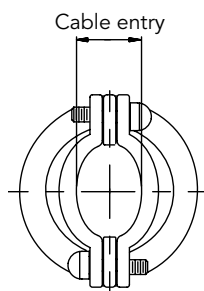
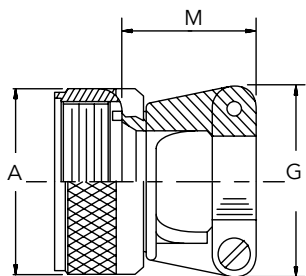


| Dash num. | Ø A maxi | | G maxi | | M maxi | | Cable entry mini | | Cable entry maxi | |
|-----------|----------|------|--------|------|--------|------|------------------|------|------------------|------|
| | inch | mm | inch | mm | inch | mm | inch | mm | inch | mm |
| 8 | 0.617 | 15.6 | 0.782 | 19.8 | 0.63 | 16.0 | 0.125 | 3.2 | 0.204 | 5.2 |
| 10 | 0.734 | 18.6 | 0.862 | 21.8 | 0.74 | 18.7 | 0.187 | 4.7 | 0.286 | 7.3 |
| 12 | 0.858 | 21.7 | 1.003 | 25.4 | 0.86 | 21.8 | 0.291 | 7.4 | 0.416 | 10.6 |
| 14 | 0.984 | 24.9 | 1.061 | 26.9 | 0.86 | 21.8 | 0.351 | 8.9 | 0.476 | 12.1 |
| 16 | 1.112 | 28.2 | 1.334 | 33.8 | 0.99 | 25.1 | 0.501 | 12.7 | 0.626 | 15.9 |
| 18 | 1.218 | 30.9 | 1.466 | 37.2 | 1.24 | 31.4 | 0.518 | 13.2 | 0.706 | 17.9 |
| 20 | 1.345 | 34.1 | 1.572 | 39.9 | 1.36 | 34.5 | 0.581 | 14.8 | 0.831 | 21.1 |
| 22 | 1.468 | 37.2 | 1.688 | 42.8 | 1.49 | 37.8 | 0.644 | 16.4 | 0.956 | 24.3 |
| 24 | 1.593 | 40.4 | 1.790 | 45.4 | 1.61 | 40.8 | 0.706 | 17.9 | 1.081 | 27.5 |
| 28 | 1.969 | 50.0 | 2.035 | 51.6 | 1.76 | 44.7 | 0.750 | 19.1 | 1.187 | 30.1 |
| 32 | 2.219 | 56.3 | 2.386 | 60.6 | 1.95 | 49.5 | 0.875 | 22.2 | 1.250 | 31.8 |
| 36 | 2.469 | 62.7 | 2.496 | 63.4 | 2.33 | 59.1 | 0.938 | 23.8 | 1.375 | 34.9 |
| 40 | 2.719 | 69.0 | 2.566 | 65.1 | 2.51 | 63.7 | 0.938 | 23.8 | 1.500 | 38.1 |
| 44 | 2.969 | 75.4 | 2.860 | 72.6 | 2.89 | 73.4 | 1.188 | 30.2 | 1.750 | 44.5 |
| 48 | 3.219 | 81.7 | 3.344 | 84.9 | 3.26 | 82.8 | 1.312 | 33.3 | 1.875 | 47.6 |

Note: All dimensions are in inches and millimeters (inch/mm). For complete dimensions, see the applicable Military Specification. Cable entry is defined as the envelope area of the cable or wire bundle. It is not intended for inspection criteria.

AS85049/52 Series (continued) Cable clamp strain relief - Aluminum straight

Dimensions - Self-locking version



| Dash num. | Ø A maxi | | G maxi | | M maxi | | Cable entry mini | | Cable entry maxi | |
|-----------|----------|------|--------|------|--------|------|------------------|------|------------------|------|
| | inch | mm | inch | mm | inch | mm | inch | mm | inch | mm |
| 8 | 0.885 | 22.5 | 0.782 | 19.8 | 0.73 | 18.5 | 0.125 | 3.2 | 0.204 | 5.2 |
| 10 | 1.010 | 25.7 | 0.862 | 21.8 | 0.85 | 21.6 | 0.187 | 4.7 | 0.286 | 7.3 |
| 12 | 1.135 | 28.8 | 1.003 | 25.4 | 0.98 | 24.9 | 0.291 | 7.4 | 0.416 | 10.6 |
| 14 | 1.260 | 32.0 | 1.061 | 26.9 | 0.98 | 24.9 | 0.351 | 8.9 | 0.476 | 12.1 |
| 16 | 1.385 | 35.2 | 1.334 | 33.8 | 1.10 | 27.9 | 0.501 | 12.7 | 0.626 | 15.9 |
| 18 | 1.510 | 38.4 | 1.466 | 37.2 | 1.35 | 34.3 | 0.518 | 13.2 | 0.706 | 17.9 |
| 20 | 1.635 | 41.5 | 1.572 | 39.9 | 1.98 | 50.3 | 0.581 | 14.8 | 0.831 | 21.1 |
| 22 | 1.760 | 44.7 | 1.688 | 42.8 | 2.73 | 69.3 | 0.644 | 16.4 | 0.956 | 24.3 |
| 24 | 1.885 | 47.9 | 1.790 | 45.4 | 2.88 | 73.2 | 0.706 | 17.9 | 0.081 | 27.5 |
| 28 | 2.135 | 54.2 | 2.035 | 51.6 | 2.528 | 64.2 | 0.750 | 19.1 | 1.187 | 30.1 |
| 32 | 2.395 | 60.8 | 2.386 | 60.6 | 2.591 | 65.8 | 0.875 | 22.2 | 1.250 | 31.8 |
| 36 | 2.635 | 66.9 | 2.496 | 63.4 | 2.13 | 54.1 | 0.938 | 23.8 | 1.375 | 34.9 |
| 40 | 2.885 | 73.3 | 2.566 | 65.1 | 2.44 | 62.0 | 0.938 | 23.8 | 1.500 | 38.1 |
| 44 | 3.135 | 79.6 | 2.860 | 72.6 | 3.00 | 76.2 | 1.188 | 30.2 | 1.750 | 44.5 |
| 48 | 3.385 | 86.0 | 3.344 | 84.9 | 3.40 | 86.4 | 1.312 | 33.3 | 1.875 | 47.6 |

Note: All dimensions are in inches and millimeters (inch/mm). For complete dimensions, see the applicable Military Specification. Cable entry is defined as the envelope area of the cable or wire bundle. It is not intended for inspection criteria.

AS85049/53, 54, 55 Series Cable tie strain relief - Aluminum straight, 45° and 90°

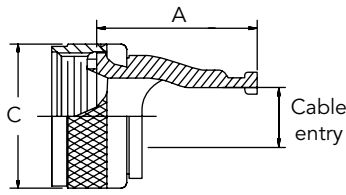
For connectors:

- AS50151 crimp
- AS81703 Series 3
- MIL-DTL-26482 Series 2
- MIL-DTL-83723 Series 3
- EN2997
- EN3646

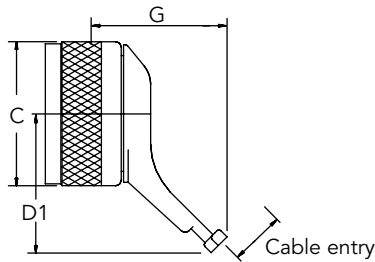
Ordering information

| | | | | |
|--|----------|----|----|---|
| Basic Series | AS85049/ | 53 | 10 | N |
| Angle | | | | |
| 53: Straight | | | | |
| 54: 45° | | | | |
| 55: 90° | | | | |
| Shell size | | | | |
| 3, 8, 10, 12, 14, 16, 18, 20, 22, 24, 28 | | | | |
| Material and plating | | | | |
| A: Aluminum, black anodize | | | | |
| N: Aluminum, electroless nickel | | | | |
| W: Aluminum, olive drab cadmium over electroless nickel, 1000 hours salt spray | | | | |

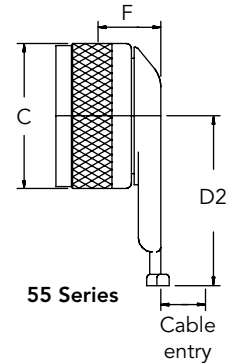
Dimensions Non-self locking version



53 Series



54 Series



55 Series

| Shell size | A maxi | | Ø C maxi | | | | D1 maxi | | D2 maxi | | G maxi | | F maxi | | Cable entry maxi | |
|------------|--------|------|-----------|-------|----------------|-------|---------|------|---------|------|--------|------|--------|-------|------------------|------|
| | | | 53 Series | | 54 & 55 Series | | | | | | | | | | | |
| | inch | mm | inch | mm | inch | mm | inch | mm | inch | mm | inch | mm | inch | mm | | |
| 3 | 0.954 | 24.0 | 0.669 | 16.99 | 0.782 | 19.86 | 1.110 | 28.2 | 1.290 | 32.8 | 1.232 | 31.3 | 0.431 | 10.94 | 0.260 | 6.6 |
| 8 | 0.954 | 24.0 | 0.617 | 15.67 | 0.657 | 16.68 | 1.110 | 28.2 | 1.220 | 31.0 | 1.232 | 31.3 | 0.431 | 10.94 | 0.260 | 6.6 |
| 10 | 0.954 | 24.0 | 0.734 | 18.64 | 0.782 | 19.86 | 1.110 | 28.2 | 1.290 | 32.8 | 1.232 | 31.3 | 0.431 | 10.94 | 0.365 | 9.3 |
| 12 | 0.954 | 24.0 | 0.858 | 21.79 | 0.937 | 23.79 | 1.110 | 28.2 | 1.620 | 41.1 | 1.232 | 31.3 | 0.431 | 10.94 | 0.501 | 12.7 |
| 14 | 1.204 | 30.6 | 0.984 | 24.99 | 1.050 | 26.66 | 1.200 | 30.5 | 1.660 | 42.2 | 1.232 | 31.3 | 0.431 | 10.94 | 0.575 | 14.6 |
| 16 | 1.204 | 30.6 | 1.112 | 28.24 | 1.239 | 31.47 | 1.200 | 30.5 | 1.720 | 43.7 | 1.232 | 31.3 | 0.431 | 10.94 | 0.700 | 17.8 |
| 18 | 1.204 | 30.6 | 1.218 | 30.93 | 1.378 | 35.00 | 1.300 | 33.0 | 1.720 | 43.7 | 1.232 | 31.3 | 0.456 | 11.58 | 0.779 | 19.8 |
| 20 | 1.310 | 33.3 | 1.345 | 34.16 | 1.500 | 38.09 | 1.300 | 33.0 | 1.790 | 45.5 | 1.482 | 37.6 | 0.456 | 11.58 | 0.904 | 23.0 |
| 22 | 1.430 | 36.3 | 1.468 | 37.28 | 1.631 | 41.42 | 1.400 | 35.5 | 1.850 | 47.0 | 1.482 | 37.6 | 0.456 | 11.58 | 1.029 | 26.1 |
| 24 | 1.560 | 39.6 | 1.593 | 40.46 | 1.750 | 44.44 | 1.400 | 35.5 | 1.910 | 48.5 | 1.482 | 37.6 | 0.456 | 11.58 | 1.144 | 29.1 |
| 28 | 1.560 | 39.6 | 1.969 | 50.01 | 1.970 | 50.03 | 1.500 | 38.1 | 2.06 | 52.3 | 1.469 | 37.3 | 0.448 | 11.37 | 1.379 | 35.0 |

Note: All dimensions are in inches and millimeters (inch/mm). For complete dimensions, see the applicable Military Specification. Cable entry is defined as the envelope area of the cable or wire bundle. It is not intended for inspection criteria.

AS85049/57 Series

Cable tie strain relief - Aluminum straight and 45°

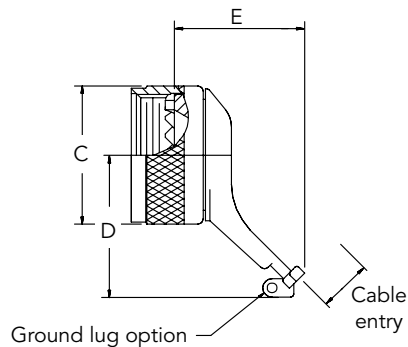
For connectors:

- MIL-DTL-38999 Series I & II

Ordering information

| | | | | | | | | | | | | | | | | | | | | | | | | | | | | | | | | | | |
|--|----|----|----|----|----|----|----|----|----|--|-------------------|----------|-----------|----------|--------------------|----|----|----|----|----|----|----|----|----|-----------------------|----|----|----|----|----|----|----|----|----|
| Basic Series | | | | | | | | | | | AS85049/57 | G | 10 | N | | | | | | | | | | | | | | | | | | | | |
| Self-locking option | | | | | | | | | | | | | | | | | | | | | | | | | | | | | | | | | | |
| G: Self-locking detented with ground lug. | | | | | | | | | | | | | | | | | | | | | | | | | | | | | | | | | | |
| H: Self-locking non-detented with ground lug. | | | | | | | | | | | | | | | | | | | | | | | | | | | | | | | | | | |
| N: Self-locking non detented. | | | | | | | | | | | | | | | | | | | | | | | | | | | | | | | | | | |
| S: Self-locking detented. | | | | | | | | | | | | | | | | | | | | | | | | | | | | | | | | | | |
| Shell size | | | | | | | | | | | | | | | | | | | | | | | | | | | | | | | | | | |
| 8, 10, 12, 14, 16, 18, 20, 22, 24 | | | | | | | | | | | | | | | | | | | | | | | | | | | | | | | | | | |
| <table border="1"> <tr> <td>Shell size 38999 I</td> <td>09</td> <td>11</td> <td>13</td> <td>15</td> <td>17</td> <td>19</td> <td>21</td> <td>23</td> <td>25</td> </tr> <tr> <td>= Shell size 38999 II</td> <td>08</td> <td>10</td> <td>12</td> <td>14</td> <td>16</td> <td>18</td> <td>20</td> <td>22</td> <td>24</td> </tr> </table> | | | | | | | | | | | | | | | Shell size 38999 I | 09 | 11 | 13 | 15 | 17 | 19 | 21 | 23 | 25 | = Shell size 38999 II | 08 | 10 | 12 | 14 | 16 | 18 | 20 | 22 | 24 |
| Shell size 38999 I | 09 | 11 | 13 | 15 | 17 | 19 | 21 | 23 | 25 | | | | | | | | | | | | | | | | | | | | | | | | | |
| = Shell size 38999 II | 08 | 10 | 12 | 14 | 16 | 18 | 20 | 22 | 24 | | | | | | | | | | | | | | | | | | | | | | | | | |
| Material and plating | | | | | | | | | | | | | | | | | | | | | | | | | | | | | | | | | | |
| A: Aluminum, black anodize | | | | | | | | | | | | | | | | | | | | | | | | | | | | | | | | | | |
| N: Aluminum, electroless nickel | | | | | | | | | | | | | | | | | | | | | | | | | | | | | | | | | | |
| W: Aluminum, olive drab cadmium over electroless nickel, 1000 hours salt spray | | | | | | | | | | | | | | | | | | | | | | | | | | | | | | | | | | |

Dimensions



| Shell size | Ø C maxi | | D maxi | | Cable entry maxi | | E maxi | |
|------------|----------|------|--------|------|------------------|------|--------|------|
| | inch | mm | inch | mm | inch | mm | inch | mm |
| 8 | 0.860 | 21.8 | 0.88 | 22.4 | 0.264 | 6.7 | 1.21 | 30.7 |
| 10 | 0.980 | 24.9 | 0.88 | 22.4 | 0.392 | 9.9 | 1.21 | 30.7 |
| 12 | 1.160 | 29.5 | 0.94 | 23.9 | 0.506 | 12.9 | 1.39 | 35.3 |
| 14 | 1.280 | 32.5 | 1.25 | 31.8 | 0.631 | 16.0 | 1.39 | 35.3 |
| 16 | 1.410 | 35.8 | 1.31 | 33.3 | 0.756 | 19.2 | 1.39 | 35.3 |
| 18 | 1.520 | 38.6 | 1.38 | 35.1 | 0.845 | 21.5 | 1.39 | 35.3 |
| 20 | 1.640 | 41.7 | 1.50 | 38.1 | 0.970 | 24.6 | 1.39 | 35.3 |
| 22 | 1.770 | 45.0 | 1.69 | 42.9 | 1.095 | 27.8 | 1.39 | 35.3 |
| 24 | 1.890 | 48.0 | 1.75 | 44.5 | 1.220 | 30.9 | 1.39 | 35.3 |

Note: All dimensions are in inches and millimeters (inch/mm). For complete dimensions, see the applicable Military Specification. Cable entry is defined as the envelope area of the cable or wire bundle. It is not intended for inspection criteria.

AS85049/58 Series Potting boot ring - Aluminum

For connectors:

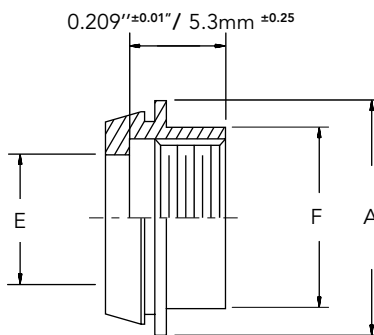
- MIL-DTL-38999 Series I & II

Ordering information

| | | |
|--------------|------------------------------------|----|
| Basic Series | AS85049/58 | 24 |
| Dash number | 08, 10, 12, 14, 16, 18, 20, 22, 24 | |

Olive drab cadmium finish

Dimensions



| Dash number | Shell size | Ø A maxi | | Ø E ±0.005"/0.12 | | Ø F ^{+0.006"/0.15} _{-0.005"/0.12} | |
|-------------|------------|----------|------|------------------|------|---|------|
| | | inch | mm | inch | mm | inch | mm |
| 8 | 8/9 | 0.600 | 15.2 | 0.344 | 8.7 | 0.500 | 12.7 |
| 10 | 10/11 | 0.726 | 18.4 | 0.472 | 12.0 | 0.625 | 15.8 |
| 12 | 12/13 | 0.850 | 21.6 | 0.586 | 14.9 | 0.750 | 19.0 |
| 14 | 14/15 | 0.976 | 24.8 | 0.711 | 18.1 | 0.875 | 22.2 |
| 16 | 16/17 | 1.102 | 27.9 | 0.836 | 21.2 | 1.000 | 25.4 |
| 18 | 18/19 | 1.226 | 31.1 | 0.942 | 23.9 | 1.125 | 28.5 |
| 20 | 20/21 | 1.352 | 34.3 | 1.067 | 27.1 | 1.250 | 31.7 |
| 22 | 22/23 | 1.476 | 37.5 | 1.192 | 30.3 | 1.375 | 34.9 |
| 24 | 24/25 | 1.602 | 40.7 | 1.317 | 33.5 | 1.500 | 38.0 |

Note: All dimensions are in inches and millimeters (inch/mm). For complete dimensions, see the applicable Military Specification. Cable entry is defined as the envelope area of the cable or wire bundle. It is not intended for inspection criteria.

AS85049/60-1 Series

Shrink boot adapter - Aluminum, straight

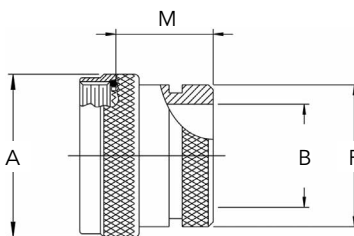
For connectors:

- AS50151 crimp
- AS81703 Series 3
- MIL-DTL-26482 Series 2
- MIL-DTL-83723 Series 3
- EN2997
- EN3646

Ordering information

| | | | |
|--|---------------------|----------|-----------|
| Basic Series | AS85049/60-1 | N | 10 |
| Material and plating | | | |
| A: Aluminum, black anodize | | | |
| N: Aluminum, electroless nickel | | | |
| W: Aluminum, olive drab cadmium over electroless nickel, 1000 hours salt spray | | | |
| Shell size | | | |
| 3, 8, 10, 12, 14, 16, 18, 20, 22, 24, 28, 32, 36, 40, 44, 48, 61 | | | |

Dimensions



| Shell size | $\varnothing A \begin{smallmatrix} +0.000/0.00 \\ -0.045/1.14 \end{smallmatrix}$ | | $\varnothing B \text{ mini}$ | | $\varnothing F \begin{smallmatrix} +0.000/0.00 \\ -0.020/0.50 \end{smallmatrix}$ | | $M \text{ maxi}$ | |
|------------|--|-------|------------------------------|-------|--|-------|------------------|-------|
| | inch | mm | inch | mm | inch | mm | inch | mm |
| 3 | 0.669 | 16.99 | 0.250 | 6.40 | 0.533 | 13.50 | 0.832 | 21.10 |
| 8 | 0.617 | 15.67 | 0.250 | 6.40 | 0.533 | 13.50 | | |
| 10 | 0.734 | 18.64 | 0.355 | 9.00 | 0.605 | 15.40 | | |
| 12 | 0.858 | 21.79 | 0.491 | 12.50 | 0.774 | 19.70 | | |
| 14 | 0.984 | 24.99 | 0.565 | 14.40 | 0.838 | 21.30 | | |
| 16 | 1.112 | 28.24 | 0.690 | 17.50 | 0.963 | 24.50 | | |
| 18 | 1.218 | 30.93 | 0.769 | 19.50 | 1.042 | 26.50 | | |
| 20 | 1.345 | 34.16 | 0.894 | 22.70 | 1.217 | 30.90 | | |
| 22 | 1.468 | 37.28 | 1.019 | 25.90 | 1.355 | 34.40 | | |
| 24 | 1.593 | 40.46 | 1.134 | 28.80 | 1.443 | 36.70 | | |
| 28 | 1.969 | 50.01 | 1.369 | 34.80 | 1.709 | 43.40 | 0.994 | 25.30 |
| 32 | 2.219 | 56.36 | 1.615 | 41.00 | 1.919 | 48.70 | | |
| 36 | 2.469 | 62.71 | 1.830 | 46.50 | 2.169 | 55.10 | | |
| 40 | 2.719 | 69.06 | 2.045 | 51.90 | 2.402 | 61.00 | | |
| 44 | 2.969 | 75.41 | 2.300 | 58.40 | 2.657 | 67.50 | | |
| 48 | 3.219 | 81.76 | 2.550 | 64.80 | 2.907 | 73.80 | | |
| 61 | 1.653 | 41.98 | 1.174 | 29.80 | 1.529 | 38.80 | | |

Note: All dimensions are in inches and millimeters (inch/mm). For complete dimensions, see the applicable Military Specification. Cable entry is defined as the envelope area of the cable or wire bundle. It is not intended for inspection criteria.

AS85049/60-2G Series

Low profile shrink boot adapter - Aluminum, straight

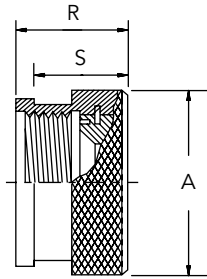
For connectors :

- AS50151 crimp
- EN2997 & EN3646
- MIL-DTL-26482 Series 2
- AS81703 Series 3

Ordering information

| | | | |
|---|----------------------|-----------|----------|
| Basic Series | AS85049/60-2G | 14 | W |
| Shell size 3, 8, 10, 12, 14, 16, 18, 20, 22, 24, 28, 32, 36, 40, 44, 48, 61 | | | |
| Material and plating | | | |
| A: Aluminum, black anodize | | | |
| N: Aluminum, electroless nickel | | | |
| W: Aluminum, olive drab cadmium over electroless nickel, 1000 hours salt spray | | | |

Dimensions



| Shell size | $\varnothing A \begin{smallmatrix} +0.00 / 0.0 \\ -0.45 / 11.43 \end{smallmatrix}$ | | R maxi | | $S \pm 0.031'' / 0.78$ | |
|------------|--|-------|--------|-------|------------------------|------|
| | inch | mm | inch | mm | inch | mm |
| 3 | 0.750 | 19.04 | 0.540 | 13.71 | 0.406 | 10.3 |
| 8 | 0.688 | 17.47 | 0.540 | 13.71 | 0.406 | 10.3 |
| 10 | 0.803 | 20.39 | 0.540 | 13.71 | 0.406 | 10.3 |
| 12 | 0.938 | 23.82 | 0.540 | 13.71 | 0.406 | 10.3 |
| 14 | 1.063 | 27.00 | 0.540 | 13.71 | 0.406 | 10.3 |
| 16 | 1.238 | 31.44 | 0.540 | 13.71 | 0.406 | 10.3 |
| 18 | 1.310 | 33.27 | 0.540 | 13.71 | 0.406 | 10.3 |
| 20 | 1.436 | 36.47 | 0.540 | 13.71 | 0.406 | 10.3 |
| 22 | 1.560 | 39.62 | 0.540 | 13.71 | 0.406 | 10.3 |
| 24 | 1.686 | 42.82 | 0.540 | 13.71 | 0.406 | 10.3 |
| 28 | 2.062 | 52.37 | 0.702 | 17.83 | 0.406 | 10.3 |
| 32 | 2.312 | 58.72 | 0.702 | 17.83 | 0.563 | 14.3 |
| 36 | 2.562 | 65.07 | 0.702 | 17.83 | 0.563 | 14.3 |
| 40 | 2.812 | 71.42 | 0.702 | 17.83 | 0.563 | 14.3 |
| 44 | 3.062 | 77.77 | 0.702 | 17.83 | 0.563 | 14.3 |
| 48 | 3.312 | 84.12 | 0.702 | 17.83 | 0.563 | 14.3 |
| 61 | 1.748 | 44.39 | 0.540 | 13.71 | 0.406 | 10.3 |

Note: All dimensions are in inches and millimeters (inch/mm). For complete dimensions, see the applicable Military Specification. Cable entry is defined as the envelope area of the cable or wire bundle. It is not intended for inspection criteria.

AS85049/61 Series

Potting boot ring - Aluminum

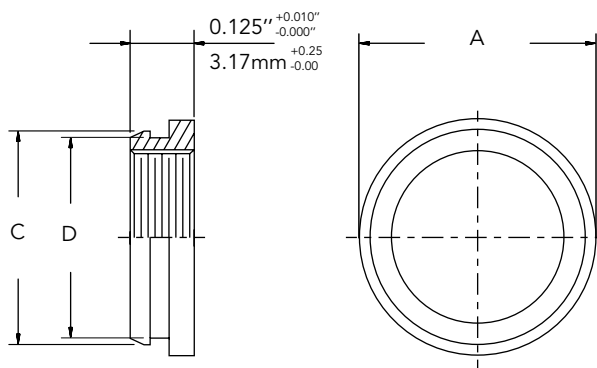
For connectors :

- MIL-DTL-27599

Ordering information

| | | | | | | | | | | | | | | | | | | | | | | | | | | | | | | | | | |
|------------------------------------|----|--|----|----|----|----|----|----|----|--|------------|---------------------------|----|----|----|----|----|----|----|----|----|------------------------------|----|----|----|----|----|----|----|----|----|--|--|
| Basic Series | | | | | | | | | | | AS85049/61 | 10 | | | | | | | | | | | | | | | | | | | | | |
| Dash number | | <table border="1" style="font-size: small;"> <tr> <td>Shell size 38999 Series I</td> <td>09</td><td>11</td><td>13</td><td>15</td><td>17</td><td>19</td><td>21</td><td>23</td><td>25</td> </tr> <tr> <td>= Shell size 38999 Series II</td> <td>08</td><td>10</td><td>12</td><td>14</td><td>16</td><td>18</td><td>20</td><td>22</td><td>24</td> </tr> </table> | | | | | | | | | | Shell size 38999 Series I | 09 | 11 | 13 | 15 | 17 | 19 | 21 | 23 | 25 | = Shell size 38999 Series II | 08 | 10 | 12 | 14 | 16 | 18 | 20 | 22 | 24 | | |
| Shell size 38999 Series I | 09 | 11 | 13 | 15 | 17 | 19 | 21 | 23 | 25 | | | | | | | | | | | | | | | | | | | | | | | | |
| = Shell size 38999 Series II | 08 | 10 | 12 | 14 | 16 | 18 | 20 | 22 | 24 | | | | | | | | | | | | | | | | | | | | | | | | |
| 08, 10, 12, 14, 16, 18, 20, 22, 24 | | | | | | | | | | | | | | | | | | | | | | | | | | | | | | | | | |

Dimensions



| Dash number | Ø A maxi | | Ø C ^{+0.010"/0.25} _{-0.000"/0.00} | | Ø D ^{±0.010"/0.25} | |
|-------------|----------|------|---|-------|-----------------------------|------|
| | inch | mm | inch | mm | inch | mm |
| 8 | 0.594 | 15.1 | 0.516 | 13.10 | 0.476 | 12.1 |
| 10 | 0.734 | 18.6 | 0.642 | 16.30 | 0.602 | 15.3 |
| 12 | 0.844 | 21.4 | 0.766 | 19.45 | 0.726 | 18.4 |
| 14 | 0.969 | 24.6 | 0.892 | 22.65 | 0.852 | 21.6 |
| 16 | 1.094 | 27.8 | 1.018 | 25.85 | 0.978 | 24.8 |
| 18 | 1.234 | 31.3 | 1.142 | 29.00 | 1.102 | 28.0 |
| 20 | 1.344 | 34.1 | 1.268 | 32.20 | 1.228 | 31.2 |
| 22 | 1.469 | 37.3 | 1.392 | 35.35 | 1.352 | 34.3 |
| 24 | 1.594 | 40.5 | 1.518 | 38.55 | 1.478 | 37.5 |

Note: All dimensions are in inches and millimeters (inch/mm). For complete dimensions, see the applicable Military Specification. Cable entry is defined as the envelope area of the cable or wire bundle. It is not intended for inspection criteria.

AS85049/62 Series

Shrink boot adapter - Aluminum, straight

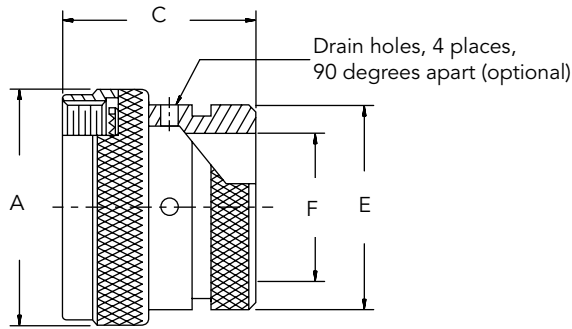
For connectors:

- MIL-DTL-27599
- MIL-DTL-38999 Series I & II

Ordering information

| | | | | | | | | | | |
|--|-----------------------|----|----|----|----|------------|----|----|----|----|
| Basic Series | | | | | | AS85049/62 | 10 | N | D | |
| Shell size 8, 10, 12, 14, 16, 18, 20, 22, 24 | Shell size 38999 I | 09 | 11 | 13 | 15 | 17 | 19 | 21 | 23 | 25 |
| | = Shell size 38999 II | 08 | 10 | 12 | 14 | 16 | 18 | 20 | 22 | 24 |
| Material and plating | | | | | | | | | | |
| A: Aluminum, black anodize | | | | | | | | | | |
| N: Aluminum, electroless nickel | | | | | | | | | | |
| W: Aluminum, olive drab cadmium over electroless nickel, 1000 hours salt spray | | | | | | | | | | |
| Drain hole | | | | | | | | | | |
| D: with drain hole | | | | | | | | | | |
| empty: without drain hole | | | | | | | | | | |

Dimensions



| Shell size | Ø A maxi | | C maxi | | Ø E maxi | | Ø F mini | |
|------------|----------|-------|--------|-------|----------|-------|----------|-------|
| | inch | mm | inch | mm | inch | mm | inch | mm |
| 8 | 0.750 | 19.05 | 1.000 | 25.40 | 0.533 | 13.54 | 0.250 | 6.35 |
| 10 | 0.850 | 21.59 | | | 0.605 | 15.37 | 0.375 | 9.53 |
| 12 | 1.000 | 25.40 | | | 0.774 | 19.66 | 0.500 | 12.70 |
| 14 | 1.100 | 27.94 | | | 0.838 | 21.29 | 0.625 | 15.88 |
| 16 | 1.250 | 31.75 | | | 0.963 | 24.46 | 0.750 | 19.05 |
| 18 | 1.400 | 35.56 | | | 1.042 | 26.47 | 0.812 | 20.62 |
| 20 | 1.500 | 38.10 | | | 1.217 | 30.91 | 0.937 | 23.80 |
| 22 | 1.650 | 41.91 | | | 1.355 | 34.42 | 1.062 | 26.97 |
| 24 | 1.750 | 44.45 | | | 1.443 | 36.65 | 1.188 | 30.18 |

Note: All dimensions are in inches and millimeters (inch/mm). For complete dimensions, see the applicable Military Specification. Cable entry is defined as the envelope area of the cable or wire bundle. It is not intended for inspection criteria.

AS85049/63 Series Cable tie strain relief - Aluminum 90°

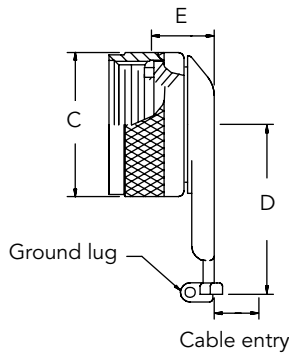
For connectors:

- MIL-DTL-38999 Series I & II

Ordering information

| | | | | | | | | | | | | | | | | | | | | | | | | | | |
|--|----|--|----|----------|-----------|----------|--------------------|----|----|----|----|----|----|----|----|----|-----------------------|----|----|----|----|----|----|----|----|----|
| Basic Series | | AS85049/63 | | G | 10 | N | | | | | | | | | | | | | | | | | | | | |
| Self-locking option | | | | | | | | | | | | | | | | | | | | | | | | | | |
| G: Self-locking detented with ground lug. | | | | | | | | | | | | | | | | | | | | | | | | | | |
| H: Self-locking non-detented with ground lug. | | | | | | | | | | | | | | | | | | | | | | | | | | |
| Shell size | | <table border="1"> <tr> <td>Shell size 38999 I</td> <td>09</td> <td>11</td> <td>13</td> <td>15</td> <td>17</td> <td>19</td> <td>21</td> <td>23</td> <td>25</td> </tr> <tr> <td>= Shell size 38999 II</td> <td>08</td> <td>10</td> <td>12</td> <td>14</td> <td>16</td> <td>18</td> <td>20</td> <td>22</td> <td>24</td> </tr> </table> | | | | | Shell size 38999 I | 09 | 11 | 13 | 15 | 17 | 19 | 21 | 23 | 25 | = Shell size 38999 II | 08 | 10 | 12 | 14 | 16 | 18 | 20 | 22 | 24 |
| Shell size 38999 I | 09 | 11 | 13 | 15 | 17 | 19 | 21 | 23 | 25 | | | | | | | | | | | | | | | | | |
| = Shell size 38999 II | 08 | 10 | 12 | 14 | 16 | 18 | 20 | 22 | 24 | | | | | | | | | | | | | | | | | |
| 8, 10, 12, 14, 16, 18, 20, 22, 24 | | | | | | | | | | | | | | | | | | | | | | | | | | |
| Material and plating | | | | | | | | | | | | | | | | | | | | | | | | | | |
| A: Aluminum, black anodize | | | | | | | | | | | | | | | | | | | | | | | | | | |
| N: Aluminum, electroless nickel | | | | | | | | | | | | | | | | | | | | | | | | | | |
| W: Aluminum, olive drab cadmium over electroless nickel, 1000 hours salt spray | | | | | | | | | | | | | | | | | | | | | | | | | | |

Dimensions



| Shell size | Ø C maxi | | D maxi | | E maxi | | Cable entry maxi | |
|------------|----------|------|--------|------|--------|------|------------------|------|
| | inch | mm | inch | mm | inch | mm | inch | mm |
| 8 | 0.860 | 21.8 | 1.220 | 31.0 | 0.690 | 17.5 | 0.264 | 6.7 |
| 10 | 0.980 | 24.9 | 1.290 | 32.8 | 0.690 | 17.5 | 0.392 | 9.9 |
| 12 | 1.160 | 29.5 | 1.620 | 41.1 | 0.690 | 17.5 | 0.506 | 12.8 |
| 14 | 1.280 | 32.5 | 1.660 | 42.2 | 0.700 | 17.8 | 0.631 | 16.0 |
| 16 | 1.410 | 35.8 | 1.720 | 43.7 | 0.700 | 17.8 | 0.756 | 19.2 |
| 18 | 1.520 | 38.6 | 1.720 | 43.7 | 0.730 | 18.5 | 0.845 | 21.4 |
| 20 | 1.640 | 41.7 | 1.790 | 45.5 | 0.730 | 18.5 | 0.970 | 24.6 |
| 22 | 1.770 | 45.0 | 1.850 | 47.0 | 0.730 | 18.5 | 1.095 | 27.8 |
| 24 | 1.890 | 48.0 | 1.910 | 48.5 | 0.730 | 18.5 | 1.220 | 31.0 |

Note: All dimensions are in inches and millimeters (inch/mm). For complete dimensions, see the applicable Military Specification. Cable entry is defined as the envelope area of the cable or wire bundle. It is not intended for inspection criteria.

AS85049/69 Series Shrink boot adapter - Aluminum, straight

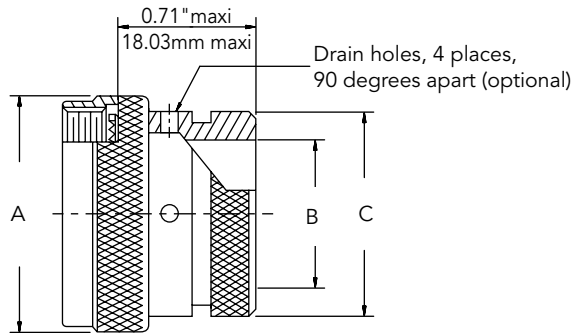
For connectors:

- MIL-DTL-38999 Series III & IV
- EN3645

Ordering information

| | | | |
|-----------------------------|---|----|---|
| Basic Series | AS85049/69 | 11 | N |
| Shell size | 9, 11, 13, 15, 17, 19, 21, 23, 25 | | |
| Material and plating | A: Aluminum, black anodize N: Aluminum, electroless nickel W: Aluminum, olive drab cadmium over electroless nickel, 1000 hours salt spray | | |
| Drain hole | D: with drain hole empty: without drain hole | | |

Dimensions



| Shell size | Ø A maxi | | Ø B maxi | | Ø C maxi | |
|------------|----------|-------|----------|-------|----------|-------|
| | inch | mm | inch | mm | inch | mm |
| 9 | 0.750 | 19.10 | 0.250 | 6.35 | 0.533 | 13.54 |
| 11 | 0.850 | 21.60 | 0.375 | 9.52 | 0.605 | 15.37 |
| 13 | 1.000 | 25.40 | 0.500 | 12.70 | 0.774 | 19.66 |
| 15 | 1.150 | 29.20 | 0.625 | 15.88 | 0.838 | 21.29 |
| 17 | 1.250 | 31.80 | 0.750 | 19.05 | 0.963 | 24.46 |
| 19 | 1.400 | 35.60 | 0.812 | 20.62 | 1.042 | 26.47 |
| 21 | 1.550 | 39.40 | 0.937 | 23.80 | 1.217 | 30.91 |
| 23 | 1.650 | 41.90 | 1.062 | 26.97 | 1.355 | 34.42 |
| 25 | 1.850 | 47.00 | 1.188 | 30.18 | 1.443 | 36.65 |

Note: All dimensions are in inches and millimeters (inch/mm). For complete dimensions, see the applicable Military Specification. Cable entry is defined as the envelope area of the cable or wire bundle. It is not intended for inspection criteria.

AS85049/76 Series EMI/RFI environmental backshell - Aluminum 90°

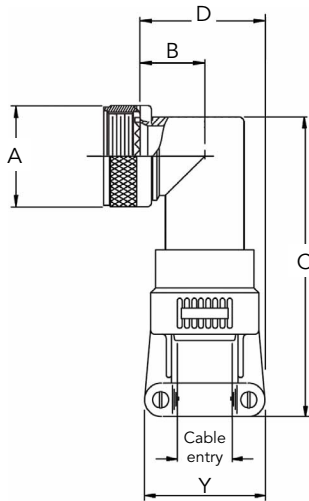
For connectors:

- MIL-DTL-38999 Series I & II

Ordering information

| | | | | | | | | | | | | | | | | | | | | |
|--|--|------------------------------|--|--|--|--|--|--|--|--|--|----|----|----|----|----|----|----|----|----|
| Basic Series | | AS85049/76- | | | | | | | | | | 10 | W | 01 | | | | | | |
| Dash number | | Shell size 38999 Series I | | | | | | | | | | 09 | 11 | 13 | 15 | 17 | 19 | 21 | 23 | 25 |
| 08, 10, 12, 14, 16, 18, 20, 22, 24 | | = Shell size 38999 Series II | | | | | | | | | | 08 | 10 | 12 | 14 | 16 | 18 | 20 | 22 | 24 |
| Material and plating | | | | | | | | | | | | | | | | | | | | |
| N: Aluminum, electroless nickel | | | | | | | | | | | | | | | | | | | | |
| W: Aluminum, olive drab cadmium over electroless nickel, 1000 hours salt spray | | | | | | | | | | | | | | | | | | | | |
| Clamp size | | | | | | | | | | | | | | | | | | | | |
| 01, 02, 03, 04, 05, 06, 07, 08, 09, 10 - See table below | | | | | | | | | | | | | | | | | | | | |

Dimensions



| Clamp size | Y maxi | | Cable entry mini | | Cable entry maxi | |
|------------|--------|-------|------------------|-------|------------------|-------|
| | inch | mm | inch | mm | inch | mm |
| 01 | 0.800 | 20.32 | 0.062 | 1.57 | 0.125 | 3.18 |
| 02 | 1.000 | 25.40 | 0.125 | 3.18 | 0.250 | 6.35 |
| 03 | 1.100 | 27.94 | 0.250 | 6.35 | 0.375 | 9.53 |
| 04 | 1.200 | 30.48 | 0.375 | 9.53 | 0.500 | 12.70 |
| 05 | 1.250 | 31.75 | 0.500 | 12.70 | 0.625 | 15.88 |
| 06 | 1.400 | 35.56 | 0.625 | 15.88 | 0.750 | 19.05 |
| 07 | 1.500 | 38.10 | 0.750 | 19.05 | 0.875 | 22.23 |
| 08 | 1.650 | 41.91 | 0.875 | 22.23 | 1.000 | 25.40 |
| 09 | 1.750 | 44.45 | 1.000 | 25.40 | 1.125 | 28.58 |
| 10 | 1.900 | 48.26 | 1.125 | 28.58 | 1.250 | 31.75 |

| Dash number | Clamp size | | Ø A maxi | | B ±0.156/ 3.96 | | C ±0.188"/ 4.77 | | D maxi | |
|-------------|------------|------|----------|-------|----------------|-------|-----------------|-------|--------|------|
| | mini | maxi | inch | mm | inch | mm | inch | mm | inch | mm |
| 08 | 01 | 02 | 0.750 | 19.05 | 0.532 | 13.51 | 3.267 | 82.98 | 1.19 | 30.2 |
| 10 | 01 | 03 | 0.850 | 21.59 | 0.627 | 15.93 | 3.387 | 86.03 | 1.34 | 34.0 |
| 12 | 02 | 04 | 1.000 | 25.40 | 0.642 | 16.31 | 3.407 | 86.54 | 1.44 | 36.6 |
| 14 | 02 | 05 | 1.150 | 29.20 | 0.719 | 18.26 | 3.477 | 88.32 | 1.50 | 38.1 |
| 16 | 02 | 06 | 1.250 | 31.75 | 0.774 | 19.66 | 3.567 | 90.60 | 1.63 | 41.4 |
| 18 | 03 | 07 | 1.400 | 35.56 | 0.854 | 21.69 | 3.737 | 94.92 | 1.76 | 44.7 |
| 20 | 03 | 08 | 1.550 | 39.37 | 0.899 | 22.83 | 3.737 | 94.92 | 1.88 | 47.8 |
| 22 | 03 | 09 | 1.650 | 41.91 | 1.009 | 25.63 | 3.847 | 97.71 | 2.04 | 51.8 |
| 24 | 04 | 10 | 1.850 | 47.00 | 1.024 | 26.01 | 3.847 | 97.71 | 2.13 | 54.1 |

Note: All dimensions are in inches and millimeters (inch/mm). For complete dimensions, see the applicable Military Specification. Cable entry is defined as the envelope area of the cable or wire bundle. It is not intended for inspection criteria.

AS85049/77 Series EMI/RFI environmental backshell - Aluminum 45°

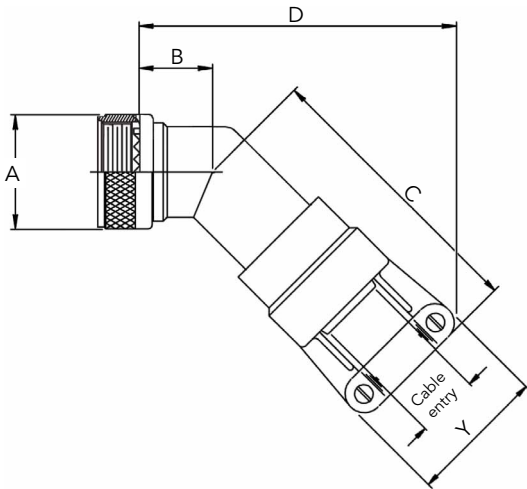
For connectors:

- MIL-DTL-38999 Series I & II

Ordering information

| | | | | | | | | | | | | | | | | | | | | |
|--|--|------------------------------|--|--|--|--|--|--|--|--|--|----|----|----|----|----|----|----|----|----|
| Basic Series | | AS85049/77- | | | | | | | | | | 10 | W | 01 | | | | | | |
| Dash number | | Shell size 38999 Series I | | | | | | | | | | 09 | 11 | 13 | 15 | 17 | 19 | 21 | 23 | 25 |
| 08, 10, 12, 14, 16, 18, 20, 22, 24 | | = Shell size 38999 Series II | | | | | | | | | | 08 | 10 | 12 | 14 | 16 | 18 | 20 | 22 | 24 |
| Material and plating | | | | | | | | | | | | | | | | | | | | |
| N: Aluminum, electroless nickel | | | | | | | | | | | | | | | | | | | | |
| W: Aluminum, olive drab cadmium over electroless nickel, 1000 hours salt spray | | | | | | | | | | | | | | | | | | | | |
| Clamp size | | | | | | | | | | | | | | | | | | | | |
| 01, 02, 03, 04, 05, 06, 07, 08, 09, 10 - See table below | | | | | | | | | | | | | | | | | | | | |

Dimensions



| Clamp size | Y maxi | | Cable entry mini | | Cable entry maxi | |
|------------|--------|-------|------------------|-------|------------------|-------|
| | inch | mm | inch | mm | inch | mm |
| 01 | 0.800 | 20.32 | 0.062 | 1.57 | 0.125 | 3.18 |
| 02 | 1.000 | 25.40 | 0.125 | 3.18 | 0.250 | 6.35 |
| 03 | 1.100 | 27.94 | 0.250 | 6.35 | 0.375 | 9.53 |
| 04 | 1.200 | 30.48 | 0.375 | 9.53 | 0.500 | 12.70 |
| 05 | 1.250 | 31.75 | 0.500 | 12.70 | 0.625 | 15.88 |
| 06 | 1.400 | 35.56 | 0.625 | 15.88 | 0.750 | 19.05 |
| 07 | 1.500 | 38.10 | 0.750 | 19.05 | 0.875 | 22.23 |
| 08 | 1.650 | 41.91 | 0.875 | 22.23 | 1.000 | 25.40 |
| 09 | 1.750 | 44.45 | 1.000 | 25.40 | 1.125 | 28.58 |
| 10 | 1.900 | 48.26 | 1.125 | 28.58 | 1.250 | 31.75 |

| Dash number | Clamp size | | Ø A maxi | | B ±0.062"/1.57mm | | C ±0.062"/1.57mm | | D maxi | |
|-------------|------------|------|----------|-------|------------------|-------|------------------|-------|--------|--------|
| | mini | maxi | inch | mm | inch | mm | inch | mm | inch | mm |
| 08 | 01 | 02 | 0.750 | 19.05 | 0.398 | 10.11 | 3.088 | 78.44 | 3.06 | 77.72 |
| 10 | 01 | 03 | 0.850 | 21.59 | 0.458 | 11.63 | 3.148 | 79.96 | 3.20 | 81.28 |
| 12 | 02 | 04 | 1.000 | 25.40 | 0.518 | 13.16 | 3.208 | 81.48 | 3.34 | 84.84 |
| 14 | 02 | 05 | 1.150 | 29.20 | 0.588 | 14.94 | 3.298 | 83.77 | 3.49 | 88.65 |
| 16 | 02 | 06 | 1.250 | 31.75 | 0.678 | 17.22 | 3.408 | 86.56 | 3.71 | 94.23 |
| 18 | 03 | 07 | 1.400 | 35.56 | 0.868 | 22.05 | 3.598 | 91.39 | 4.01 | 101.85 |
| 20 | 03 | 08 | 1.550 | 39.37 | 0.868 | 22.05 | 3.598 | 91.39 | 4.13 | 104.90 |
| 22 | 03 | 09 | 1.650 | 41.91 | 0.958 | 24.33 | 3.748 | 95.20 | 4.36 | 110.74 |
| 24 | 04 | 10 | 1.850 | 47.00 | 0.958 | 24.33 | 3.748 | 95.20 | 4.41 | 112.01 |

Note: All dimensions are in inches and millimeters (inch/mm). For complete dimensions, see the applicable Military Specification. Cable entry is defined as the envelope area of the cable or wire bundle. It is not intended for inspection criteria.

AS85049/78 Series EMI/RFI environmental backshell - Aluminum 45°

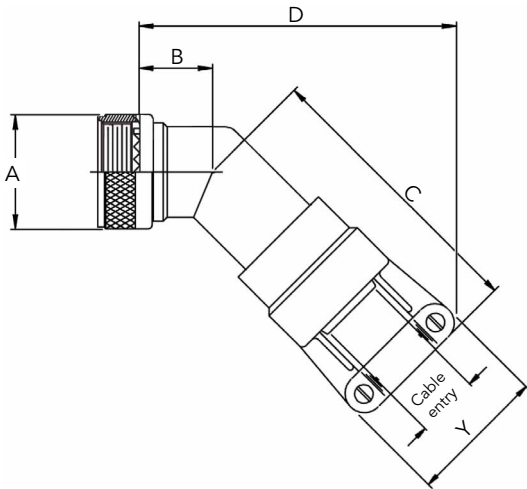
For connectors:

- MIL-DTL-38999 Series III & IV

Ordering information

| | | | | |
|----------------------|---|----|---|----|
| Basic Series | AS85049/78- | 25 | W | 01 |
| Dash number | 09, 11, 13, 15, 17, 19, 21, 23, 25 | | | |
| Material and plating | N: Aluminum, electroless nickel W: Aluminum, olive drab cadmium over electroless nickel, 1000 hours salt spray | | | |
| Clamp size | 01, 02, 03, 04, 05, 06, 07, 08, 09, 10 - See table below | | | |

Dimensions



| Clamp size | Y maxi | | Cable entry mini | | Cable entry maxi | |
|------------|--------|-------|------------------|-------|------------------|-------|
| | inch | mm | inch | mm | inch | mm |
| 01 | 0.800 | 20.32 | 0.062 | 1.57 | 0.125 | 3.18 |
| 02 | 1.000 | 25.40 | 0.125 | 3.18 | 0.250 | 6.35 |
| 03 | 1.100 | 27.94 | 0.250 | 6.35 | 0.375 | 9.53 |
| 04 | 1.200 | 30.48 | 0.375 | 9.53 | 0.500 | 12.70 |
| 05 | 1.250 | 31.75 | 0.500 | 12.70 | 0.625 | 15.88 |
| 06 | 1.400 | 35.56 | 0.625 | 15.88 | 0.750 | 19.05 |
| 07 | 1.500 | 38.10 | 0.750 | 19.05 | 0.875 | 22.23 |
| 08 | 1.650 | 41.91 | 0.875 | 22.23 | 1.000 | 25.40 |
| 09 | 1.750 | 44.45 | 1.000 | 25.40 | 1.125 | 28.58 |
| 10 | 1.900 | 48.26 | 1.125 | 28.58 | 1.250 | 31.75 |

| Dash number | Clamp size | | Ø A maxi | | B ±0.062"/1.57mm | | C ±0.062"/1.57mm | | D ±0.062"/1.57mm | |
|-------------|------------|------|----------|-------|------------------|-------|------------------|-------|------------------|--------|
| | mini | maxi | inch | mm | inch | mm | inch | mm | inch | mm |
| 09 | 01 | 02 | 0.750 | 19.05 | 0.398 | 10.11 | 3.088 | 78.44 | 2.85 | 72.39 |
| 11 | 01 | 03 | 0.850 | 21.59 | 0.458 | 11.63 | 3.148 | 79.96 | 2.98 | 75.69 |
| 13 | 02 | 04 | 1.000 | 25.40 | 0.518 | 13.16 | 3.208 | 81.48 | 3.13 | 79.50 |
| 15 | 02 | 05 | 1.150 | 29.20 | 0.588 | 14.94 | 3.298 | 83.77 | 3.32 | 84.33 |
| 17 | 02 | 06 | 1.250 | 31.75 | 0.678 | 17.22 | 3.408 | 86.56 | 3.53 | 89.66 |
| 19 | 03 | 07 | 1.400 | 35.56 | 0.868 | 22.05 | 3.598 | 91.39 | 3.91 | 99.31 |
| 21 | 03 | 08 | 1.550 | 39.37 | 0.868 | 22.05 | 3.598 | 91.39 | 3.96 | 100.58 |
| 23 | 03 | 09 | 1.650 | 41.91 | 0.958 | 24.33 | 3.748 | 95.20 | 4.19 | 106.43 |
| 25 | 04 | 10 | 1.850 | 47.00 | 0.958 | 24.33 | 3.748 | 95.20 | 4.24 | 107.70 |

Note: All dimensions are in inches and millimeters (inch/mm). For complete dimensions, see the applicable Military Specification. Cable entry is defined as the envelope area of the cable or wire bundle. It is not intended for inspection criteria.

AS85049/79 Series EMI/RFI environmental backshell - Aluminum 90°

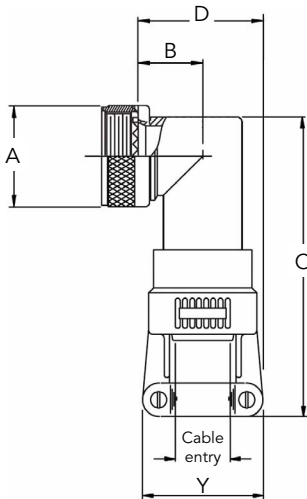
For connectors:

- MIL-DTL-38999 Series III & IV

Ordering information

| | | | | |
|----------------------|---|----|---|----|
| Basic Series | AS85049/79- | 25 | W | 01 |
| Dash number | 09, 11, 13, 15, 17, 19, 21, 23, 25 | | | |
| Material and plating | N: Aluminum, electroless nickel W: Aluminum, olive drab cadmium over electroless nickel, 1000 hours salt spray | | | |
| Clamp size | 01, 02, 03, 04, 05, 06, 07, 08, 09, 10 - See table below | | | |

Dimensions



| Clamp size | Y maxi | | Cable entry mini | | Cable entry maxi | |
|------------|--------|-------|------------------|-------|------------------|-------|
| | inch | mm | inch | mm | inch | mm |
| 01 | 0.800 | 20.32 | 0.062 | 1.57 | 0.125 | 3.18 |
| 02 | 1.000 | 25.40 | 0.125 | 3.18 | 0.250 | 6.35 |
| 03 | 1.100 | 27.94 | 0.250 | 6.35 | 0.375 | 9.53 |
| 04 | 1.200 | 30.48 | 0.375 | 9.53 | 0.500 | 12.70 |
| 05 | 1.250 | 31.75 | 0.500 | 12.70 | 0.625 | 15.88 |
| 06 | 1.400 | 35.56 | 0.625 | 15.88 | 0.750 | 19.05 |
| 07 | 1.500 | 38.10 | 0.750 | 19.05 | 0.875 | 22.23 |
| 08 | 1.650 | 41.91 | 0.875 | 22.23 | 1.000 | 25.40 |
| 09 | 1.750 | 44.45 | 1.000 | 25.40 | 1.125 | 28.58 |
| 10 | 1.900 | 48.26 | 1.125 | 28.58 | 1.250 | 31.75 |

| Dash number | Clamp size | | Ø A maxi | | B ±0.156/ 3.96 | | C ±0.188"/ 4.77 | | D maxi | |
|-------------|------------|------|----------|-------|----------------|-------|-----------------|-------|--------|------|
| | mini | maxi | inch | mm | inch | mm | inch | mm | inch | mm |
| 09 | 01 | 02 | 0.750 | 19.05 | 0.532 | 13.51 | 3.267 | 82.98 | 1.19 | 30.2 |
| 11 | 01 | 03 | 0.850 | 21.59 | 0.627 | 15.93 | 3.387 | 86.03 | 1.34 | 34.0 |
| 13 | 02 | 04 | 1.000 | 25.40 | 0.642 | 16.31 | 3.407 | 86.54 | 1.44 | 36.6 |
| 15 | 02 | 05 | 1.150 | 29.20 | 0.719 | 18.26 | 3.477 | 88.32 | 1.50 | 38.1 |
| 17 | 02 | 06 | 1.250 | 31.75 | 0.774 | 19.66 | 3.567 | 90.60 | 1.63 | 41.4 |
| 19 | 03 | 07 | 1.400 | 35.56 | 0.854 | 21.69 | 3.737 | 94.92 | 1.76 | 44.7 |
| 21 | 03 | 08 | 1.550 | 39.37 | 0.899 | 22.83 | 3.737 | 94.92 | 1.88 | 47.8 |
| 23 | 03 | 09 | 1.650 | 41.91 | 1.009 | 25.63 | 3.847 | 97.71 | 2.04 | 51.8 |
| 25 | 04 | 10 | 1.850 | 47.00 | 1.024 | 26.01 | 3.847 | 97.71 | 2.13 | 54.1 |

Note: All dimensions are in inches and millimeters (inch/mm). For complete dimensions, see the applicable Military Specification. Cable entry is defined as the envelope area of the cable or wire bundle. It is not intended for inspection criteria.

AS85049/82, 83, 84 Series Banding backshell - Aluminum straight, 45° and 90°

For connectors:

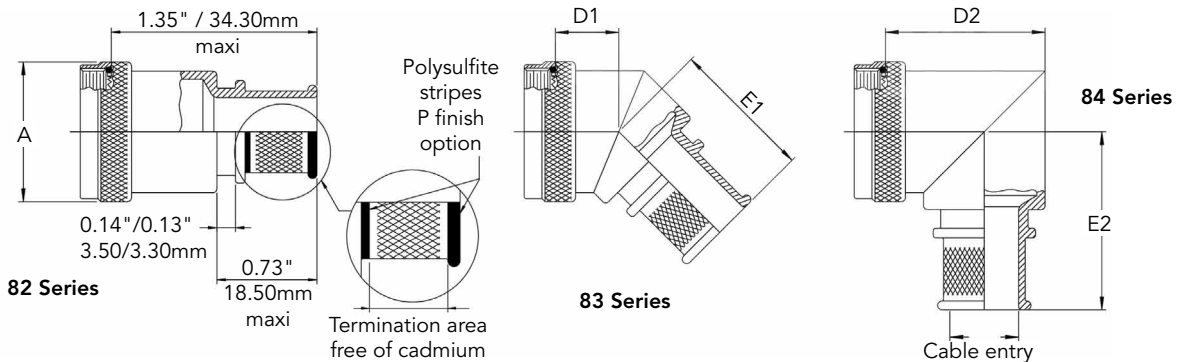
- AS50151 crimp
- AS81703 Series 3
- MIL-DTL-26482 Series 2
- MIL-DTL-83723 Series 3
- EN3646
- EN2997

Ordering information

| | | | | | | |
|--|----------|----|---|----|---|----|
| Basic Series | AS85049/ | 82 | - | 10 | N | 02 |
| Angle | | | | | | |
| 82: Straight | | | | | | |
| 83: 45° | | | | | | |
| 84: 90° (size 28 not available) | | | | | | |
| Self-locking option | | | | | | |
| - : Detented* | | | | | | |
| N: Non detented** | | | | | | |
| Shell size: 08, 10, 12, 14, 16, 18, 20, 22, 24, 28 | | | | | | |
| Material and plating | | | | | | |
| N: Aluminum, electroless nickel | | | | | | |
| P: Aluminum, olive drab cadmium over electroless nickel (selective plating) | | | | | | |
| W: Aluminum, olive drab cadmium over electroless nickel, 1000 hours salt spray | | | | | | |
| Entry size (see table below): 02, 03 | | | | | | |

* - utilizes an audible detented anti-decoupling device.
 ** - utilizes an internal captivated anti-decoupling device (Self-Seating) with no audible clicking mechanism.

Dimensions



| Shell size | Ø A maxi | | D1 maxi | | E1 maxi | | D2 maxi | | E2 maxi | | Cable entry Size 02 ±0.01/0.30 | | Cable entry Size 03 ±0.01/0.30 | |
|------------|----------|-------|---------|-------|---------|-------|---------|-------|---------|-------|-----------------------------------|-------|-----------------------------------|-------|
| | inch | mm | inch | mm | inch | mm | inch | mm | inch | mm | inch | mm | inch | mm |
| 8 | 0.885 | 22.47 | 0.870 | 22.10 | 1.160 | 29.50 | 1.188 | 30.20 | 1.417 | 36.00 | N/A | N/A | 0.250 | 6.40 |
| 10 | 1.010 | 25.70 | 0.890 | 22.60 | 1.180 | 30.00 | 1.281 | 32.50 | 1.480 | 37.60 | N/A | N/A | 0.312 | 7.90 |
| 12 | 1.135 | 28.82 | 0.920 | 23.40 | 1.200 | 30.50 | 1.406 | 35.70 | 1.542 | 39.20 | 0.312 | 7.90 | 0.438 | 11.10 |
| 14 | 1.260 | 32.00 | 0.940 | 23.90 | 1.220 | 31.00 | 1.531 | 38.90 | 1.605 | 40.80 | 0.438 | 11.10 | 0.562 | 14.30 |
| 16 | 1.385 | 35.17 | 0.960 | 24.40 | 1.250 | 31.80 | 1.656 | 42.10 | 1.667 | 42.30 | 0.500 | 12.70 | 0.625 | 15.90 |
| 18 | 1.510 | 38.40 | 0.980 | 24.90 | 1.260 | 32.00 | 1.718 | 43.60 | 1.730 | 43.90 | 0.625 | 15.90 | 0.750 | 19.10 |
| 20 | 1.635 | 41.52 | 1.000 | 25.40 | 1.290 | 32.80 | 1.844 | 46.80 | 1.792 | 45.50 | 0.625 | 15.90 | 0.812 | 20.60 |
| 22 | 1.760 | 44.70 | 1.030 | 26.20 | 1.310 | 33.30 | 1.938 | 49.20 | 1.850 | 47.00 | 0.688 | 17.50 | 0.938 | 23.80 |
| 24 | 1.885 | 47.87 | 1.050 | 26.70 | 1.340 | 34.00 | 2.093 | 53.20 | 1.917 | 48.70 | 0.750 | 19.10 | 1.000 | 25.40 |
| 28 | 2.135 | 54.22 | 1.100 | 27.90 | 1.380 | 35.10 | 2.531 | 64.30 | 2.042 | 51.90 | 0.875 | 22.20 | 1.125 | 28.60 |

Note: All dimensions are in inches and millimeters (inch/mm). For complete dimensions, see the applicable Military Specification.
 Cable entry is defined as the envelope area of the cable or wire bundle. It is not intended for inspection criteria.

AS85049/85, 86, 87 Series

Banding backshell - Aluminum straight, 45° and 90°

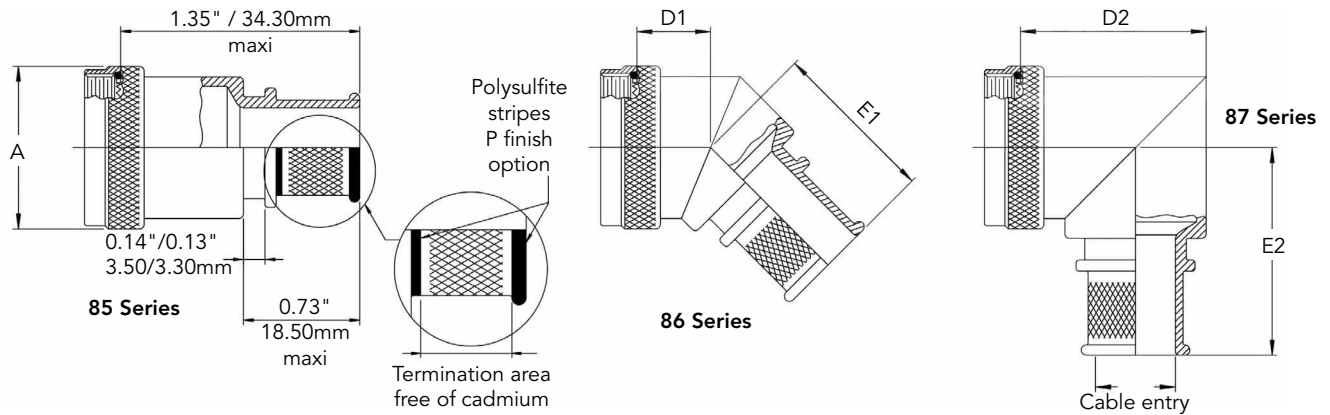
For connectors:

- MIL-DTL-27599
- MIL-DTL-38999 Series I & II

Ordering information

| | | | | | | | | | | |
|--|------------------------------|----|----|----|----|----|----|----|----|----|
| Basic Series | AS85049/ | 85 | - | 10 | N | 02 | | | | |
| Angle | | | | | | | | | | |
| 85: Straight | | | | | | | | | | |
| 86: 45° | | | | | | | | | | |
| 87: 90° | | | | | | | | | | |
| Self-locking option | | | | | | | | | | |
| - : Detented | | | | | | | | | | |
| N: Non detented | | | | | | | | | | |
| Shell size: 08, 10, 12, 14, 16, 18, 20, 22, 24 | Shell size 38999 Series I | 09 | 11 | 13 | 15 | 17 | 19 | 21 | 23 | 25 |
| | = Shell size 38999 Series II | 08 | 10 | 12 | 14 | 16 | 18 | 20 | 22 | 24 |
| Material and plating | | | | | | | | | | |
| N: Aluminum, electroless nickel | | | | | | | | | | |
| P: Aluminum, olive drab cadmium over electroless nickel (selective plating) | | | | | | | | | | |
| W: Aluminum, olive drab cadmium over electroless nickel, 1000 hours salt spray | | | | | | | | | | |
| Entry size (see table below): 01, 02, 03 | | | | | | | | | | |

Dimensions



| Shell size | Ø A maxi | | D1 maxi | | E1 maxi | | D2 maxi | | E2 maxi | | Cable entry for AS85049/85, Straight version | | | | Cable entry for AS85049/86 and AS85049/87, 45° & 90° | | | |
|------------|----------|-------|---------|-------|---------|-------|---------|-------|---------|-------|--|-------|---------|-------|--|-------|---------|-------|
| | | | | | | | | | | | Size 01 | | Size 02 | | Size 02 | | Size 03 | |
| | inch | mm | inch | mm | inch | mm | inch | mm | inch | mm | inch | mm | inch | mm | inch | mm | inch | mm |
| 08 | 0.859 | 21.81 | 0.870 | 22.10 | 1.160 | 29.50 | 1.375 | 34.90 | 1.417 | 36.00 | N/A | N/A | 0.250 | 6.40 | N/A | N/A | 0.250 | 6.40 |
| 10 | 0.986 | 25.04 | 0.900 | 22.90 | 1.190 | 30.20 | 1.437 | 36.50 | 1.480 | 37.60 | N/A | N/A | 0.312 | 7.90 | N/A | N/A | 0.312 | 7.90 |
| 12 | 1.156 | 29.36 | 0.920 | 23.40 | 1.210 | 30.70 | 1.562 | 39.70 | 1.553 | 39.40 | 0.312 | 7.90 | 0.438 | 11.10 | 0.312 | 7.90 | 0.438 | 11.10 |
| 14 | 1.281 | 32.53 | 0.950 | 24.10 | 1.240 | 31.50 | 1.687 | 42.80 | 1.614 | 41.00 | 0.438 | 11.10 | 0.562 | 14.30 | 0.438 | 11.10 | 0.562 | 14.30 |
| 16 | 1.406 | 35.71 | 0.980 | 24.90 | 1.260 | 32.00 | 1.750 | 44.50 | 1.678 | 42.60 | 0.500 | 12.70 | 0.625 | 15.90 | 0.500 | 12.70 | 0.625 | 15.90 |
| 18 | 1.516 | 38.50 | 0.980 | 24.90 | 1.270 | 32.30 | 1.875 | 47.60 | 1.733 | 44.00 | 0.625 | 15.90 | 0.750 | 19.10 | 0.625 | 15.90 | 0.750 | 19.10 |
| 20 | 1.641 | 41.68 | 1.010 | 25.70 | 1.300 | 33.00 | 1.938 | 49.20 | 1.796 | 45.60 | 0.625 | 15.90 | 0.812 | 20.60 | 0.625 | 15.90 | 0.812 | 20.60 |
| 22 | 1.766 | 44.85 | 1.040 | 26.40 | 1.330 | 33.80 | 2.062 | 52.40 | 1.859 | 47.20 | 0.688 | 17.50 | 0.938 | 23.80 | 0.688 | 17.50 | 0.938 | 23.80 |
| 24 | 1.891 | 48.03 | 1.070 | 27.20 | 1.350 | 34.30 | 2.125 | 54.00 | 1.919 | 48.70 | 0.750 | 19.10 | 1.000 | 25.40 | 0.750 | 19.10 | 1.000 | 25.40 |

Note: All dimensions are in inches and millimeters (inch/mm). For complete dimensions, see the applicable Military Specification. Cable entry is defined as the envelope area of the cable or wire bundle. It is not intended for inspection criteria.

AS85049/88, 89, 90 Series

Banding backshell - Aluminum and composite straight, 45° and 90°

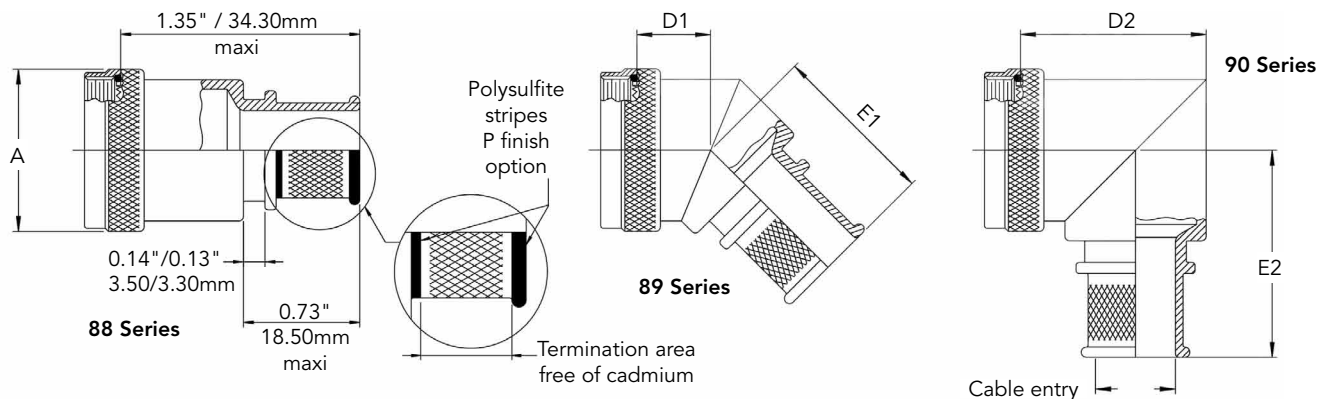
For connectors:

- MIL-DTL-38999 Series III & IV
- EN3645

Ordering information

| | | | | | | |
|---|----------|----|---|----|---|----|
| Basic Series | AS85049/ | 88 | - | 11 | N | 02 |
| Angle | | | | | | |
| 88: Straight | | | | | | |
| 89: 45° | | | | | | |
| 90: 90° | | | | | | |
| Self-locking option | | | | | | |
| - : Detended | | | | | | |
| N: Non detended | | | | | | |
| Shell size: 09, 11, 13, 15, 17, 19, 21, 23, 25 | | | | | | |
| Material and plating | | | | | | |
| J: Composite, olive drab cadmium over electroless nickel, 1000 hours salt spray | | | | | | |
| M: Composite, electroless nickel | | | | | | |
| N: Aluminum, electroless nickel | | | | | | |
| P: Aluminum, olive drab cadmium over electroless nickel with polysulfide sealant strips | | | | | | |
| W: Aluminum, olive drab cadmium over electroless nickel, 1000 hours salt spray | | | | | | |
| Entry size (see table below): 02, 03 | | | | | | |

Dimensions



| Shell size | Ø A maxi | | D1 maxi | | E1 maxi | | D2 maxi | | E2 maxi | | Cable entry Size 02 | | Cable entry Size 03 | |
|------------|----------|------|---------|-------|---------|-------|---------|-------|---------|-------|---------------------|-------|---------------------|-------|
| | inch | mm | inch | mm | inch | mm | inch | mm | inch | mm | inch | mm | inch | mm |
| 9 | 0.858 | 21.8 | 1.010 | 25.70 | 1.160 | 29.50 | 1.375 | 34.90 | 1.417 | 36.00 | N/A | N/A | 0.250 | 6.40 |
| 11 | 0.984 | 25.1 | 1.030 | 26.20 | 1.190 | 30.20 | 1.437 | 36.50 | 1.480 | 37.60 | N/A | N/A | 0.312 | 7.90 |
| 13 | 1.157 | 29.4 | 1.060 | 26.90 | 1.210 | 30.70 | 1.562 | 39.70 | 1.553 | 39.40 | 0.312 | 7.90 | 0.438 | 11.10 |
| 15 | 1.279 | 32.5 | 1.080 | 27.40 | 1.240 | 31.50 | 1.687 | 42.80 | 1.614 | 41.00 | 0.438 | 11.10 | 0.562 | 14.30 |
| 17 | 1.406 | 35.7 | 1.110 | 28.20 | 1.260 | 32.00 | 1.750 | 44.50 | 1.678 | 42.60 | 0.500 | 12.70 | 0.625 | 15.90 |
| 19 | 1.516 | 38.5 | 1.120 | 28.40 | 1.270 | 32.30 | 1.875 | 47.60 | 1.773 | 45.03 | 0.625 | 15.90 | 0.750 | 19.10 |
| 21 | 1.642 | 41.7 | 1.150 | 29.20 | 1.300 | 33.00 | 1.938 | 49.20 | 1.796 | 45.60 | 0.625 | 15.90 | 0.812 | 20.60 |
| 23 | 1.738 | 44.9 | 1.170 | 29.70 | 1.330 | 33.80 | 2.062 | 52.40 | 1.859 | 47.20 | 0.688 | 17.50 | 0.938 | 23.80 |
| 25 | 1.889 | 48.0 | 1.200 | 30.50 | 1.350 | 34.30 | 2.125 | 54.00 | 1.919 | 48.70 | 0.750 | 19.10 | 1.000 | 25.40 |

Note: All dimensions are in inches and millimeters (inch/mm). For complete dimensions, see the applicable Military Specification. Cable entry is defined as the envelope area of the cable or wire bundle. It is not intended for inspection criteria.

AS85049/91,92 Series

Cable clamp strain relief - Composite straight and 90°

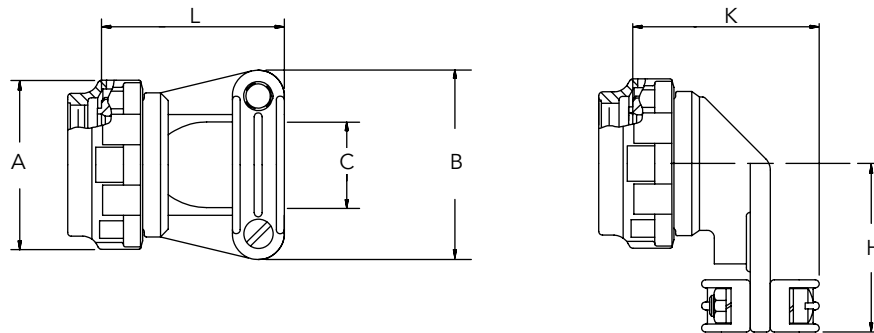
For connectors:

- MIL-DTL-38999 Series III & IV
- EN3645

Ordering information

| | | | | | |
|---|----------|----|---|----|---|
| Basic Series | AS85049/ | 91 | - | 15 | M |
| Angle | | | | | |
| 91: Straight | | | | | |
| 92: 90° | | | | | |
| Self-locking option | | | | | |
| - : Self locking detented | | | | | |
| Shell size | | | | | |
| 09, 11, 13, 15, 16, 17, 19, 21, 23, 25 | | | | | |
| Material and plating | | | | | |
| J: Composite (conductive), olive drab cadmium over electroless nickel | | | | | |
| M: Composite (conductive), electroless nickel | | | | | |
| T: Composite (non-conductive) without plating | | | | | |

Dimensions



| Shell size | Ø A maxi | | B maxi | | C ^{±0.031"} _{±0.78mm} | | H ^{±.062"} _{±1.6mm} | | K maxi | |
|------------|----------|-------|--------|-------|---|-------|---------------------------------------|------|--------|-------|
| | inch | mm | inch | mm | inch | mm | inch | mm | inch | mm |
| 09 | 0.858 | 21.79 | 0.98 | 24.89 | 0.219 | 5.56 | 0.875 | 22.2 | 1.06 | 26.92 |
| 11 | 0.984 | 24.99 | 1.05 | 26.67 | 0.264 | 6.71 | 0.937 | 23.8 | 1.10 | 27.94 |
| 13 | 1.157 | 29.39 | 1.20 | 30.48 | 0.344 | 8.74 | 1.031 | 26.2 | 1.18 | 29.97 |
| 15 | 1.280 | 33.51 | 1.30 | 33.02 | 0.460 | 11.68 | 1.125 | 28.6 | 1.30 | 33.02 |
| 17 | 1.406 | 35.71 | 1.42 | 36.07 | 0.545 | 13.84 | 1.312 | 33.3 | 1.38 | 35.05 |
| 19 | 1.516 | 38.51 | 1.52 | 38.61 | 0.615 | 15.62 | 1.375 | 34.9 | 1.45 | 36.83 |
| 21 | 1.642 | 41.51 | 1.64 | 41.66 | 0.698 | 17.73 | 1.500 | 38.1 | 1.54 | 39.12 |
| 23 | 1.768 | 44.91 | 1.77 | 44.96 | 0.780 | 19.81 | 1.625 | 41.3 | 1.62 | 41.15 |
| 25 | 1.890 | 48.01 | 1.89 | 48.01 | 0.850 | 21.59 | 1.750 | 44.5 | 1.69 | 42.93 |

Note: All dimensions are in inches and millimeters (inch/mm). For complete dimensions, see the applicable Military Specification. Cable entry is defined as the envelope area of the cable or wire bundle. It is not intended for inspection criteria.

AS85049/103, 104, 105 Series

Cable clamp EMI/RFI strain relief - Composite straight, 45° and 90°

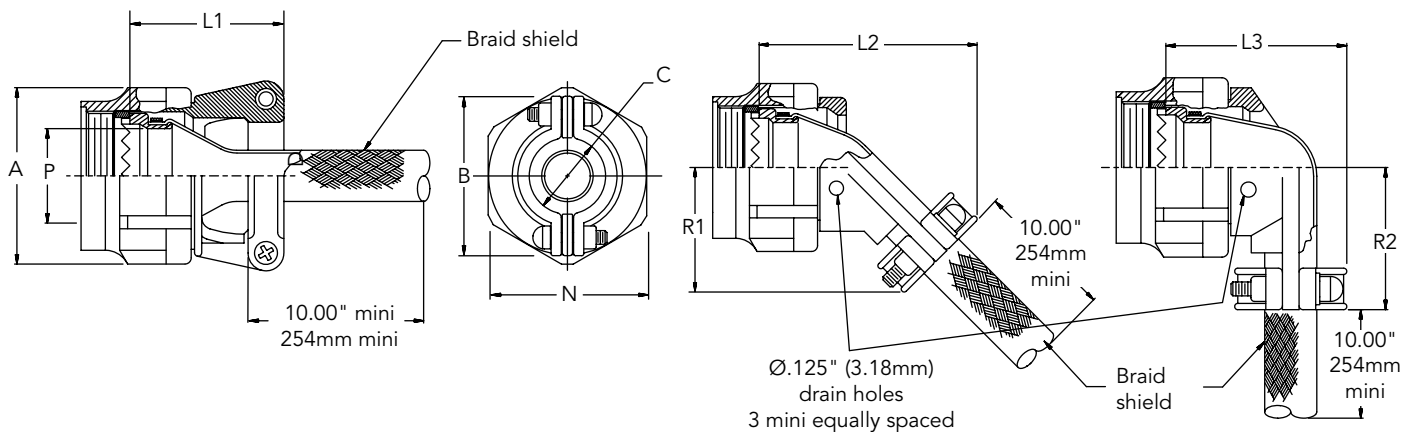
For connectors:

- MIL-DTL-38999 Series III & IV
- EN3645

Ordering information

| | | | |
|--|-----------------|------------|-----------|
| Basic Series | AS85049/ | 103 | 15 |
| Angle | | | |
| 103: Straight | | | |
| 104: 45° | | | |
| 105: 90° | | | |
| Shell size | | | |
| 09, 11, 13, 15, 16, 17, 19, 21, 23, 25 | | | |

Dimensions



| Shell size | Ø A maxi | | B maxi | | Ø C $\pm 0.031''$ $\pm 0.79\text{mm}$ | | L1 maxi | | L2 maxi | | L3 maxi | | N Hex | | Ø P mini | | R1 maxi | | R2 maxi | |
|------------|----------|-------|--------|-------|--|-------|---------|-------|---------|-------|---------|-------|-------------|-------------|----------|-------|---------|-------|---------|-------|
| | inch | mm | inch | mm | inch | mm | inch | mm | inch | mm | inch | mm | inch | mm | inch | mm | inch | mm | inch | mm |
| 09 | 0.858 | 21.79 | 0.98 | 24.89 | 0.265 | 6.73 | 0.939 | 23.85 | 1.128 | 28.65 | 1.128 | 28.65 | 0.750/0.736 | 19.05/18.69 | 0.264 | 6.71 | 0.901 | 22.89 | 0.94 | 23.88 |
| 11 | 0.984 | 24.99 | 1.05 | 26.67 | 0.310 | 7.87 | 1.059 | 26.90 | 1.168 | 29.67 | 1.168 | 29.67 | 0.875/0.860 | 22.23/21.84 | 0.390 | 9.91 | 0.964 | 24.39 | 1.00 | 25.40 |
| 13 | 1.157 | 29.39 | 1.20 | 30.48 | 0.390 | 9.91 | 1.199 | 30.45 | 1.248 | 31.70 | 1.248 | 31.70 | 1.000/0.980 | 25.40/24.89 | 0.504 | 12.80 | 1.050 | 26.67 | 1.12 | 28.45 |
| 15 | 1.280 | 32.51 | 1.30 | 33.02 | 0.506 | 12.85 | 1.199 | 30.45 | 1.368 | 34.75 | 1.368 | 34.75 | 1.125/1.100 | 31.75/31.09 | 0.630 | 16.00 | 1.112 | 28.24 | 1.19 | 30.23 |
| 17 | 1.406 | 35.71 | 1.44 | 36.58 | 0.591 | 15.01 | 1.329 | 33.76 | 1.448 | 36.78 | 1.448 | 36.78 | 1.250/1.224 | 31.75/31.09 | 0.756 | 19.20 | 1.175 | 29.85 | 1.37 | 34.80 |
| 19 | 1.516 | 38.51 | 1.56 | 39.62 | 0.661 | 16.79 | 1.509 | 38.33 | 1.528 | 38.81 | 1.528 | 38.81 | 1.375/1.348 | 34.94/34.24 | 0.843 | 21.41 | 1.230 | 31.24 | 1.44 | 36.58 |
| 21 | 1.642 | 41.71 | 1.69 | 42.93 | 0.744 | 18.90 | 1.609 | 40.87 | 1.648 | 41.86 | 1.648 | 41.86 | 1.500/1.469 | 38.10/37.31 | 0.969 | 24.61 | 1.293 | 32.84 | 1.56 | 39.62 |
| 23 | 1.768 | 44.91 | 1.77 | 44.96 | 0.826 | 20.98 | 1.759 | 44.68 | 1.688 | 42.88 | 1.688 | 42.88 | 1.625/1.581 | 41.28/40.16 | 1.091 | 27.71 | 1.365 | 34.67 | 1.69 | 42.93 |
| 25 | 1.890 | 48.01 | 1.89 | 48.01 | 0.896 | 22.76 | 1.859 | 47.22 | 1.758 | 44.65 | 1.758 | 44.65 | 1.750/1.690 | 44.45/42.93 | 1.217 | 30.91 | 1.417 | 35.99 | 1.81 | 45.97 |

Note: All dimensions are in inches and millimeters (inch/mm). For complete dimensions, see the applicable Military Specification. Cable entry is defined as the envelope area of the cable or wire bundle. It is not intended for inspection criteria.

Notes

A large grid area for taking notes, consisting of 20 columns and 30 rows of small squares.

MIL-Spec Products

Protective Covers

| | |
|-------------------|-----|
| ■ AS25042 | 96 |
| ■ AS25043 | 97 |
| ■ D38999/32 | 98 |
| ■ D38999/33 | 99 |
| ■ MS27501 | 100 |
| ■ MS27502 | 101 |
| ■ MS27510 | 102 |
| ■ MS27511 | 103 |
| ■ MS3180 | 104 |
| ■ MS3181 | 105 |

AS25042 Series Threaded connector covers

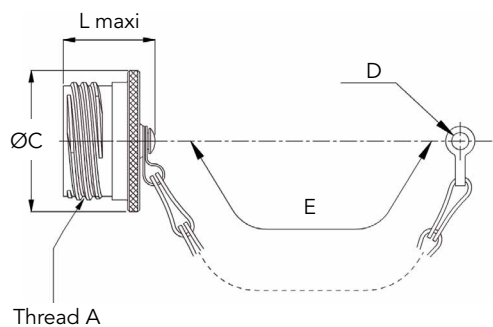
For connectors:

- AS50151

Ordering information

| | | | | |
|----------------------|--|----|----|---|
| Basic Series | MS250 | 42 | 12 | D |
| Cover type | 42: Cover for plug | | | |
| Shell size: | 8, 10, 12, 14, 16, 18, 20, 22, 24, 28, 32, 36, 40, 44, 48 | | | |
| Material and plating | D: Aluminum, olive drab cadmium DA: Aluminum, black anodize | | | |

Dimensions



| Size | Thread A | ØC maxi | | ØD ^{+0.010"/0.254mm} _{-0.005"/0.127mm} | | E | | L maxi | |
|------|-----------------|---------|-------|--|------|------|--------|--------|-------|
| | | inch | mm | inch | mm | inch | mm | inch | mm |
| 8 | 1/2 - 28 UNEF | 0.562 | 14.27 | 0.156 | 3.96 | 4.00 | 101.6 | 0.969 | 24.61 |
| 10 | 5/8 - 24 UNEF | 0.687 | 17.44 | | | 4.50 | 114.3 | 1.156 | 29.36 |
| 12 | 3/4 - 20 UNEF | 0.812 | 20.62 | | | | | | |
| 14 | 7/8 - 20 UNEF | 0.937 | 23.79 | | | | | | |
| 16 | 1 - 20 UNEF | 1.062 | 26.97 | | | | | | |
| 18 | 1 1/8 - 18 UNEF | 1.187 | 30.14 | | | | | | |
| 20 | 1 1/4 - 18 UNEF | 1.312 | 33.32 | 0.187 | 4.74 | 5.00 | 127.0 | | |
| 22 | 1 3/8 - 18 UNEF | 1.437 | 36.49 | | | 5.50 | 139.7 | | |
| 24 | 1 1/2 - 18 UNEF | 1.562 | 39.67 | | | | | | |
| 28 | 1 3/4 - 18 UNS | 1.812 | 46.02 | 0.218 | 5.53 | 7.75 | 196.85 | | |
| 32 | 2 - 18 UNS | 2.062 | 52.37 | | | | | | |
| 36 | 2 1/4 - 16 UN | 2.312 | 58.72 | | | | | | |
| 40 | 2 1/2 - 16 UN | 2.562 | 65.07 | | | | | | |
| 44 | 2 3/4 - 16 UN | 2.812 | 71.42 | | | | | | |
| 48 | 3 - 16 UN | 3.062 | 77.77 | | | | | | |

Note: All dimensions are in inches and millimeters (inch/mm).

AS25043 Series Threaded connector covers

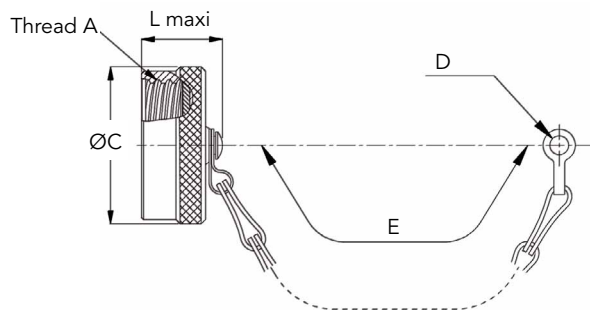
For connectors:

- AS50151

Ordering information

| | | | | |
|----------------------|--|----|----|---|
| Basic Series | MS250 | 43 | 12 | D |
| Cover type | 43: Cover for receptacle | | | |
| Shell size: | 8, 10, 12, 14, 16, 18, 20, 22, 24, 28, 32, 36, 40, 44, 48 | | | |
| Material and plating | D: Aluminum, olive drab cadmium DA: Aluminum, black anodize | | | |

Dimensions



| Size | Thread A | ØC maxi | | ØD ^{+0.010"/0.254mm} _{-0.005"/0.127mm} | | E | | L maxi | |
|------|-----------------|---------|-------|--|------|------|--------|--------|-------|
| | | inch | mm | inch | mm | inch | mm | inch | mm |
| 8 | 1/2 - 28 UNEF | 0.688 | 17.47 | 0.140 | 3.55 | 4.00 | 101.6 | 0.750 | 19.04 |
| 10 | 5/8 - 24 UNEF | 0.815 | 20.70 | | | | | | |
| 12 | 3/4 - 20 UNEF | 1.000 | 25.40 | | | | | | |
| 14 | 7/8 - 20 UNEF | 1.125 | 28.57 | | | | | | |
| 16 | 1 - 20 UNEF | 1.188 | 30.17 | | | | | | |
| 18 | 1 1/8 - 18 UNEF | 1.344 | 34.13 | 0.171 | 4.34 | 5.00 | 127.0 | 0.812 | 20.62 |
| 20 | 1 1/4 - 18 UNEF | 1.469 | 37.31 | | | | | | |
| 22 | 1 3/8 - 18 UNEF | 1.594 | 40.48 | | | | | | |
| 24 | 1 1/2 - 18 UNEF | 1.719 | 43.66 | | | | | | |
| 28 | 1 3/4 - 18 UNS | 1.969 | 50.01 | 0.187 | 4.74 | 7.75 | 196.85 | 0.812 | 20.62 |
| 32 | 2 - 18 UNS | 2.219 | 56.36 | | | | | | |
| 36 | 2 1/4 - 16 UN | 2.469 | 62.71 | | | | | | |
| 40 | 2 1/2 - 16 UN | 2.719 | 69.06 | | | | | | |
| 44 | 2 3/4 - 16 UN | 2.969 | 75.41 | | | | | | |
| 48 | 3 - 16 UN | 3.188 | 80.97 | | | | | | |

Note: All dimensions are in inches and millimeters (inch/mm).

D38999/32 Series Threaded connector covers

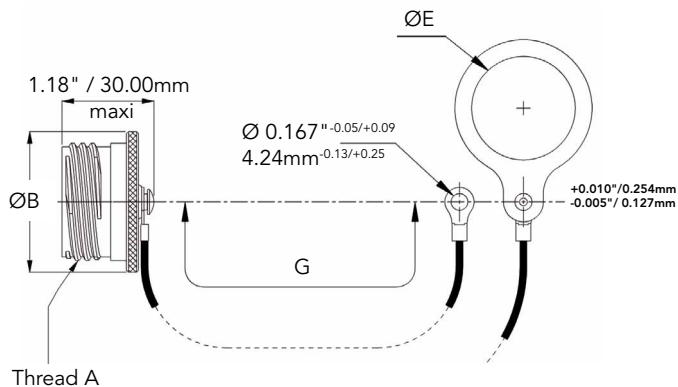
For connectors:

- MIL-DTL-38999 Series III
- EN3645

Ordering information

| | | | | | |
|----------------------|--|----|---|----|---|
| Basic Series | D38999/ | 32 | W | 11 | N |
| Cover type | 32: Cover for plug | | | | |
| Material and plating | W: Aluminum, olive drab cadmium | | | | |
| Shell size: | 9, 11, 13, 15, 17, 19, 21, 23, 25 | | | | |
| Style | N: With stainless steel rope and ring R: With stainless steel rope and eyelet | | | | |

Dimensions



| Size | Thread A | ØB maxi | | ØE mini | | G | |
|------|---------------------|---------|------|---------|------|---|---------------------------------------|
| | | inch | mm | inch | mm | inch | mm |
| 9 | 0.6250-0.1P-0.3L-TS | 0.905 | 23.0 | 0.512 | 13.0 | 5.00 ^{+0.512"} _{-0.276"} | 127.0 ⁺¹³ ₋₇ |
| 11 | 0.7500-0.1P-0.3L-TS | 1.023 | 26.0 | 0.709 | 18.0 | | |
| 13 | 0.8750-0.1P-0.3L-TS | 1.220 | 31.0 | 0.787 | 20.0 | | |
| 15 | 1.0000-0.1P-0.3L-TS | 1.299 | 33.0 | 0.905 | 23.0 | | |
| 17 | 1.1875-0.1P-0.3L-TS | 1.457 | 37.0 | 1.023 | 26.0 | | |
| 19 | 1.2500-0.1P-0.3L-TS | 1.575 | 40.0 | 1.142 | 29.0 | | |
| 21 | 1.3750-0.1P-0.3L-TS | 1.732 | 44.0 | 1.260 | 32.0 | | |
| 23 | 1.5000-0.1P-0.3L-TS | 1.811 | 46.0 | 1.339 | 34.0 | | |
| 25 | 1.6250-0.1P-0.3L-TS | 1.968 | 50.0 | 1.535 | 39.0 | | |

Note: All dimensions are in inches and millimeters (inch/mm).

D38999/33 Series Threaded connector covers

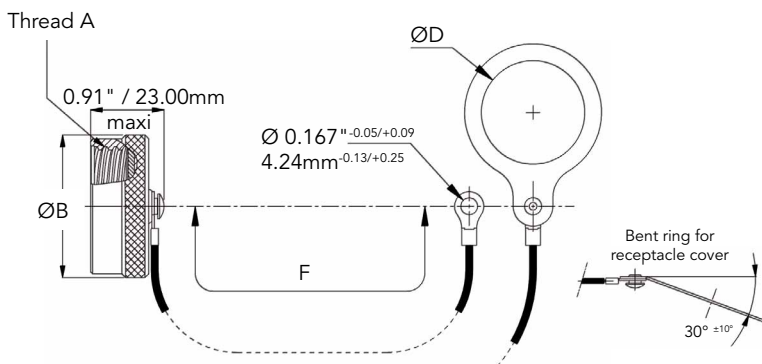
For connectors:

- MIL-DTL-38999 Series III
- EN3645

Ordering information

| | | | | | |
|----------------------|--|----|---|----|---|
| Basic Series | D38999/ | 33 | W | 11 | N |
| Cover type | 33: Cover for receptacle | | | | |
| Material and plating | W: Aluminum, olive drab cadmium | | | | |
| Shell size: | 9, 11, 13, 15, 17, 19, 21, 23, 25 | | | | |
| Style | N: With stainless steel rope and ring R: With stainless steel rope and eyelet | | | | |

Dimensions



| Size | Thread A | ØB maxi | | ØD mini | | F | |
|------|---------------------|---------|------|---------|-------|------------------------------------|----------------------------|
| | | inch | mm | inch | mm | inch | mm |
| 9 | 0.6250-0.1P-0.3L-TS | 0.905 | 23.0 | 0.690 | 17.64 | 5.00 ^{+0.512*} -0.276* | 127.0 ⁺¹³ -7 |
| 11 | 0.7500-0.1P-0.3L-TS | 1.102 | 28.0 | 0.860 | 21.97 | | |
| 13 | 0.8750-0.1P-0.3L-TS | 1.220 | 31.0 | 0.990 | 25.12 | | |
| 15 | 1.0000-0.1P-0.3L-TS | 1.260 | 32.0 | 1.180 | 29.92 | | |
| 17 | 1.1875-0.1P-0.3L-TS | 1.457 | 37.0 | 1.260 | 32.00 | | |
| 19 | 1.2500-0.1P-0.3L-TS | 1.535 | 39.0 | 1.430 | 36.27 | | |
| 21 | 1.3750-0.1P-0.3L-TS | 1.653 | 42.0 | 1.510 | 38.25 | | |
| 23 | 1.5000-0.1P-0.3L-TS | 1.772 | 45.0 | 1.680 | 42.62 | | |
| 25 | 1.6250-0.1P-0.3L-TS | 1.929 | 49.0 | 1.750 | 44.45 | | |

Note: All dimensions are in inches and millimeters (inch/mm).

MS27501 Series Bayonet connector covers

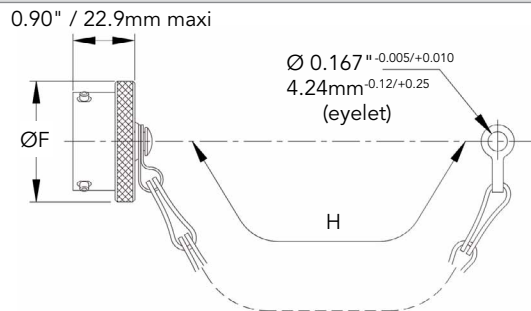
For connectors:

- MIL-DTL-38999 Series I

Ordering information

| | | | | | |
|--|-------------|------------|----------|-----------|----------|
| Basic Series | MS27 | 501 | A | 11 | C |
| Cover type 501: Cover for plug | | | | | |
| Material and plating A: Yellow iridite over cadmium & nickel B: Aluminum, olive drab cadmium, 500 hours salt spray C: Aluminum, black anodize F: Aluminum, electroless nickel | | | | | |
| Shell size: 9, 11, 13, 15, 17, 19, 21, 23, 25 | | | | | |
| Style A: Without chain C: Chain with eyelet | | | | | |
| Chain length (in inches/mm) empty: Standard chain length, see table below (H Max) L: 5.0/127.0 M: 6.0/152.4 N: 7.0/177.8 | | | | | |

Dimensions



| Size | ØF maxi | | H ^{+0.500\"/>} | |
|------|---------|-------|-----------------------------|-------|
| | inch | mm | inch | mm |
| 9 | 0.82 | 20.80 | 3.00 | 76.19 |
| 11 | 0.94 | 23.90 | | |
| 13 | 1.07 | 27.20 | | |
| 15 | 1.19 | 30.20 | 3.50 | 88.89 |
| 17 | 1.32 | 33.52 | | |
| 19 | 1.44 | 36.60 | | |
| 21 | 1.57 | 39.90 | 4.00 | 101.6 |
| 23 | 1.69 | 42.90 | | |
| 25 | 1.82 | 46.20 | | |

Note: All dimensions are in inches and millimeters (inch/mm).

MS27502 Series Bayonet connector covers

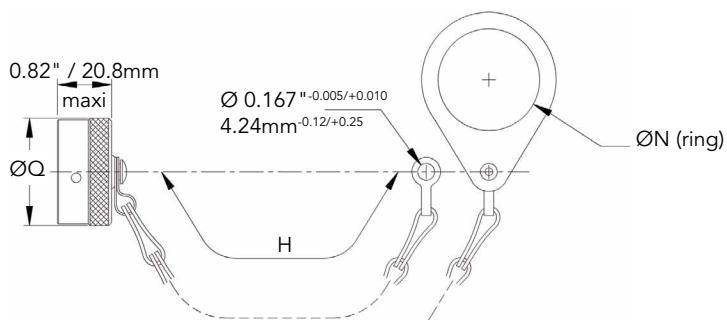
For connectors:

- MIL-DTL-38999 Series I

Ordering information

| | | | | | |
|--|-------------|------------|----------|-----------|----------|
| Basic Series | MS27 | 502 | B | 11 | N |
| Cover type 502: Cover for receptacle | | | | | |
| Material and plating A: Yellow iridite over cadmium & nickel B: Aluminum, olive drab cadmium, 500 hours salt spray C: Aluminum, black anodize F: Aluminum, electroless nickel | | | | | |
| Shell size: 9, 11, 13, 15, 17, 19, 21, 23, 25 | | | | | |
| Style A: Without chain C: Chain with eyelet N: Chain with ring (MS27502 only) | | | | | |
| Chain length (in inches/mm) empty: Standard chain length, see table below (H Max) L: 5.0/127.0 | | | | | |

Dimensions



| Size | ØQ maxi | | H ^{+0.500"/-0.250"} ^{+12.7/-6.35mm} | | ØN mini | |
|------|---------|-------|--|-------|---------|-------|
| | inch | mm | inch | mm | inch | mm |
| 9 | 0.86 | 21.84 | 3.00 | 76.19 | 0.70 | 17.77 |
| 11 | 0.98 | 24.89 | | | 0.84 | 21.33 |
| 13 | 1.16 | 29.46 | 3.50 | 88.89 | 1.01 | 25.65 |
| 15 | 1.28 | 32.51 | | | 1.14 | 28.95 |
| 17 | 1.41 | 35.81 | | | 1.26 | 32.00 |
| 19 | 1.52 | 38.60 | 4.00 | 101.6 | 1.39 | 35.30 |
| 21 | 1.65 | 41.91 | | | 1.51 | 38.35 |
| 23 | 1.77 | 44.95 | | | 1.64 | 41.65 |
| 25 | 1.89 | 48.00 | | | 1.76 | 44.70 |

Note: All dimensions are in inches and millimeters (inch/mm).

MS27510 Series Bayonet connector covers

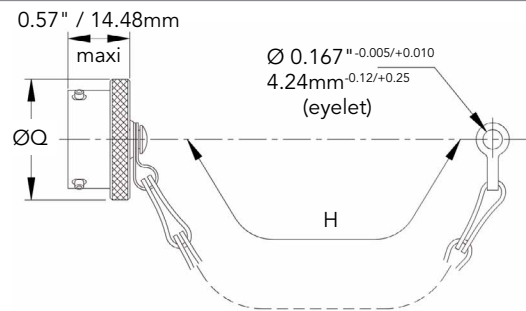
For connectors:

- MIL-DTL-38999 Series II

Ordering information

| | | | | | |
|--|-------------|------------|----------|-----------|----------|
| Basic Series | MS27 | 510 | B | 10 | C |
| Cover type 510: Cover for plug | | | | | |
| Material and plating A: Yellow iridite over cadmium & nickel B: Aluminum, olive drab cadmium, 500 hours salt spray C: Aluminum, black anodize F: Aluminum, electroless nickel | | | | | |
| Shell size: 8, 10, 12, 14, 16, 18, 20, 22, 24 | | | | | |
| Style A: Without chain C: Chain with eyelet | | | | | |
| Chain length (in inches/mm) empty: Standard chain length, see table below (H Max) L: 5.0/127.0 M: 6.0/152.4 N: 7.0/177.8 | | | | | |

Dimensions



| Size | ØQ maxi | | H ^{+0.500"/-0.250"} _{+12.7/-6.35mm} | |
|------|---------|-------|---|-------|
| | inch | mm | inch | mm |
| 8 | 0.72 | 18.28 | 3.00 | 76.19 |
| 10 | 0.85 | 21.59 | | |
| 12 | 1.00 | 25.40 | 3.50 | 88.89 |
| 14 | 1.13 | 28.70 | | |
| 16 | 1.25 | 31.75 | | |
| 18 | 1.38 | 35.05 | 4.00 | 101.6 |
| 20 | 1.50 | 38.09 | | |
| 22 | 1.63 | 41.40 | | |
| 24 | 1.75 | 44.44 | | |

Note: All dimensions are in inches and millimeters (inch/mm).

MS27511 Series Bayonet connector covers

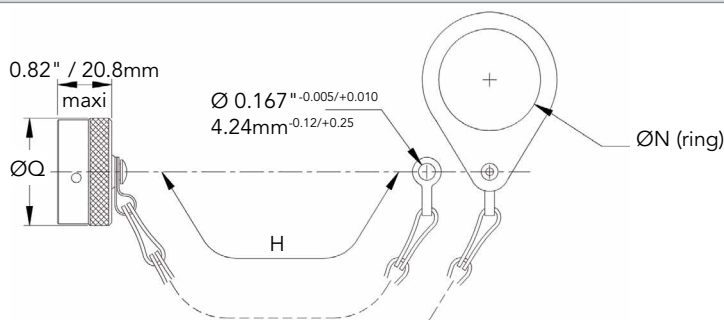
For connectors:

- MIL-DTL-38999 Series II

Ordering information

| | | | | | |
|--|-------------|------------|----------|-----------|----------|
| Basic Series | MS27 | 511 | B | 10 | C |
| Cover type 511: Cover for receptacle | | | | | |
| Material and plating A: Yellow iridite over cadmium & nickel B: Aluminum, olive drab cadmium, 500 hours salt spray C: Aluminum, black anodize F: Aluminum, electroless nickel | | | | | |
| Shell size: 8, 10, 12, 14, 16, 18, 20, 22, 24 | | | | | |
| Style A: Without chain C: Chain with eyelet N: Chain with ring (MS27511 only) R: Rope (MS27511 only) | | | | | |
| Chain length (in inches/mm) empty: Standard chain length, see table below (H Max) L: 5.0/127.0 | | | | | |

Dimensions



| Size | ØQ maxi | | H ^{+0.500"/-0.250"} _{+12.7/-6.35mm} | |
|------|---------|-------|---|-------|
| | inch | mm | inch | mm |
| 8 | 0.750 | 19.04 | 3.00 | 76.19 |
| 10 | 0.859 | 21.81 | | |
| 12 | 1.031 | 26.18 | 3.50 | 88.89 |
| 14 | 1.156 | 29.36 | | |
| 16 | 1.281 | 32.53 | | |
| 18 | 1.406 | 35.71 | 4.00 | 101.6 |
| 20 | 1.531 | 38.88 | | |
| 22 | 1.641 | 41.68 | | |
| 24 | 1.766 | 44.85 | | |

Note: All dimensions are in inches and millimeters (inch/mm).

MS3180 Series Bayonet connector covers

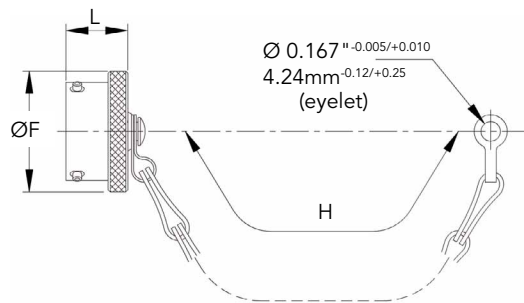
For connectors:

- MIL-DTL-26482 Series 2

Ordering information

| | | | | | |
|---|-------------|-----------|-----------|----------|----------|
| Basic Series | MS31 | 80 | 10 | C | A |
| Cover type 80: Cover for plug | | | | | |
| Shell size: 8, 10, 12, 14, 16, 18, 20, 22, 24 | | | | | |
| Style C: Chain with eyelet R: Rope | | | | | |
| Material and plating A: Yellow iridite over cadmium & nickel | | | | | |
| Chain length (in inches/mm) empty: Standard chain length, see table below (H Max) L: 5.0/127.0 | | | | | |

Dimensions



| Size | ØF maxi | | H ^{+0.500"/-0.250"} _{+12.7/-6.35mm} | | L maxi | |
|------|---------|--------|---|--------|--------|-------|
| | inch | mm | inch | mm | inch | mm |
| 8 | 0.719 | 18.26 | 3.00 | 76.20 | 0.562 | 14.27 |
| 10 | 0.844 | 21.44 | | | | |
| 12 | 1.000 | 25.40 | | | | |
| 14 | 1.125 | 28.58 | | | | |
| 16 | 1.250 | 31.75 | 3.5 | 88.90 | 0.625 | 15.88 |
| 18 | 1.375 | 34.92 | | | | |
| 20 | 1.500 | 38.150 | | | | |
| 22 | 1.625 | 41.28 | 4.00 | 101.60 | | |
| 24 | 1.750 | 44.45 | | | | |

Note: All dimensions are in inches and millimeters (inch/mm).

MS3181 Series Bayonet connector covers

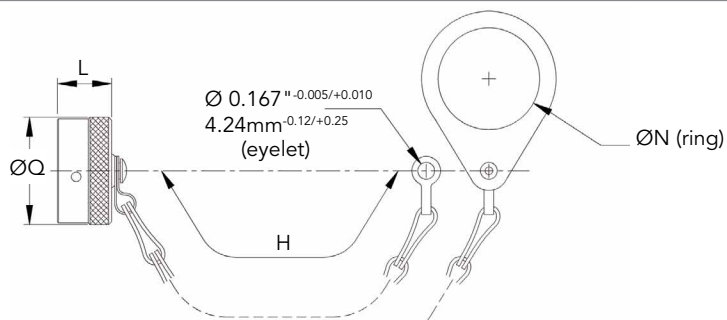
For connectors:

- MIL-DTL-26482 Series 2

Ordering information

| | | | | | |
|---|-------------|-----------|-----------|----------|----------|
| Basic Series | MS31 | 81 | 10 | C | A |
| Cover type 81: Cover for receptacle | | | | | |
| Shell size: 8, 10, 12, 14, 16, 18, 20, 22, 24 | | | | | |
| Style C: Chain with eyelet N: Chain with ring R: Rope | | | | | |
| Material and plating A: Yellow iridite over cadmium & nickel | | | | | |
| Chain length (in inches/mm) empty: Standard chain length, see table below (H Max) L: 5.0/127.0 | | | | | |

Dimensions



| Size | ØQ maxi | | H ^{+0.500*} / _{-0.250*} ^{+12.7/-6.35mm} | | L maxi | | ØN mini | |
|------|------------------|-------|---|--------|--------|-------|------------------|-------|
| | inch | mm | inch | mm | inch | mm | inch | mm |
| 8 | 0.734 | 18.64 | 3.00 | 76.20 | 0.562 | 14.27 | 0.578 | 14.68 |
| 10 | 0.859 | 21.82 | | | | | 0.703 | 17.86 |
| 12 | 1.000 | 25.40 | 0.891 | 22.63 | | | | |
| 14 | 1.125 | 28.58 | 3.5 | 88.90 | | | 1.016 | 15.81 |
| 16 | 1.250 | 31.75 | | | | | 1.141 | 28.98 |
| 18 | 1.375 | 34.92 | | | | | 1.266 | 32.16 |
| 20 | 1.500 | 38.10 | 4.00 | 101.60 | 1.391 | 35.33 | | |
| 22 | 1.625 | 41.28 | | | 1.516 | 38.51 | | |
| 24 | 1.750 | 44.45 | | | 0.602 | 15.29 | 1.641 | 41.68 |

Note: All dimensions are in inches and millimeters (inch/mm).

MIL-Spec Products

Accessories

| | |
|--|-----|
| ■ Shield support ring - AS85049/93 | 108 |
| ■ Bushing strip - AS85049/127 | 109 |
| ■ Clamping bands - AS85049/128 | 110 |

AS85049/93 Series Shield support ring - Composite

Ordering information

Basic Series

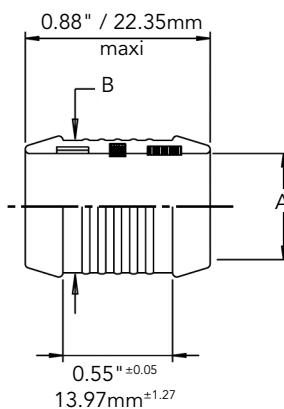
AS85049/93

04

Dash number

04, 06, 08, 10, 12, 14, 16, 18, 20, 22, 24, 26, 28

Dimensions



| Dash number | A $\begin{matrix} \pm 0.0100'' \\ \pm 0.254\text{mm} \end{matrix}$ | | B maxi | |
|-------------|--|-------|--------|------|
| | inch | mm | inch | mm |
| 04 | 0.250 | 6.35 | 0.390 | 9.9 |
| 06 | 0.375 | 9.52 | 0.515 | 13.1 |
| 08 | 0.500 | 12.70 | 0.640 | 16.3 |
| 10 | 0.625 | 15.88 | 0.770 | 19.6 |
| 12 | 0.750 | 19.05 | 0.903 | 22.9 |
| 14 | 0.875 | 22.22 | 1.094 | 26.5 |
| 16 | 1.000 | 25.40 | 1.173 | 29.8 |
| 18 | 1.125 | 28.58 | 1.310 | 33.3 |
| 20 | 1.250 | 31.75 | 1.447 | 36.8 |
| 22 | 1.375 | 34.92 | 1.578 | 40.1 |
| 24 | 1.500 | 38.10 | 1.703 | 43.3 |
| 26 | 1.625 | 41.28 | 1.828 | 46.4 |
| 28 | 1.750 | 44.45 | 1.953 | 49.6 |

Note: All dimensions are in inches and millimeters (inch/mm). For complete dimensions, see the applicable Military Specification.

AS85049/127 Series

Bushing strip - Silicon rubber

Ordering information

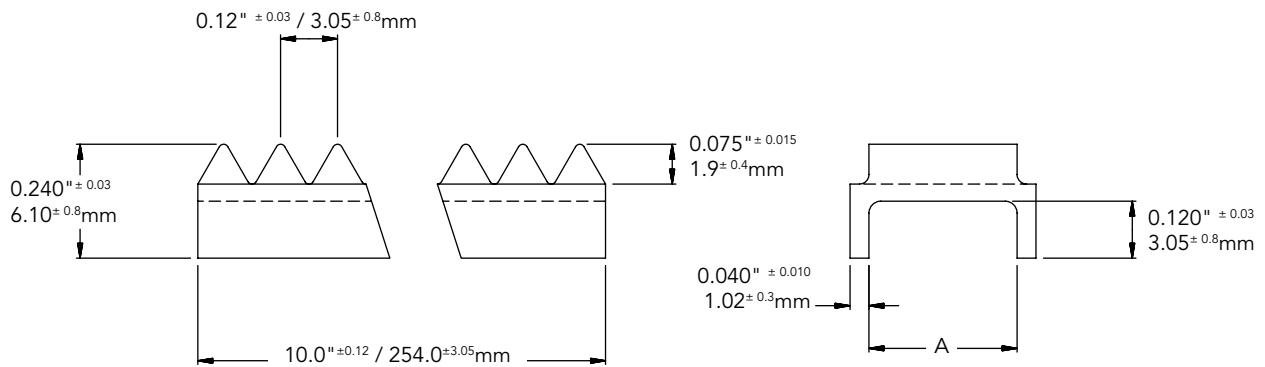
Basic Series

AS85049/127

01

Order: 01, 02, 03

Dimensions



| Order | A $\pm 0.031"$ $\pm 0.8\text{mm}$ | | Used on size /118, /120, /121, /123 | Used on size /124, /126 |
|-------|--------------------------------------|-------|--|----------------------------|
| | inch | mm | | |
| 01 | 0.312 | 7.92 | 03-16 | 09-17 |
| 02 | 0.440 | 11.18 | 18-24 & 61 | 19-25 |
| 03 | 0.560 | 14.22 | 28-40 | - |

Note: All dimensions are in inches and millimeters (inch/mm).

AS85049/128 Series

Clamping bands - Stainless steel

Ordering information

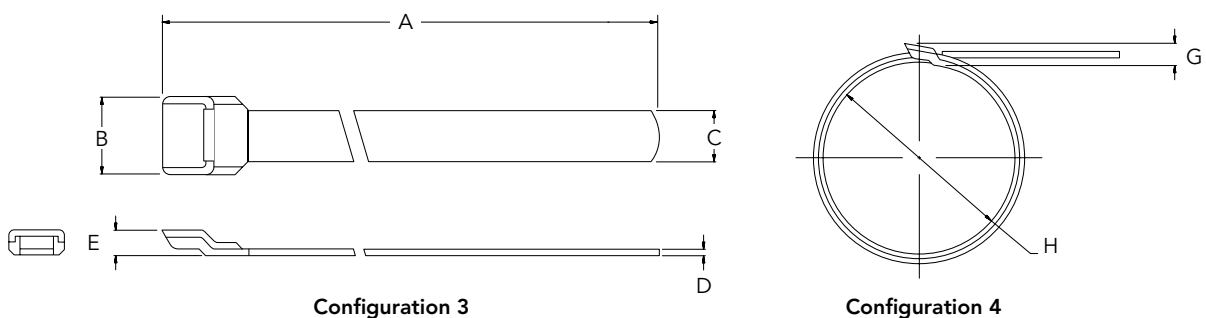
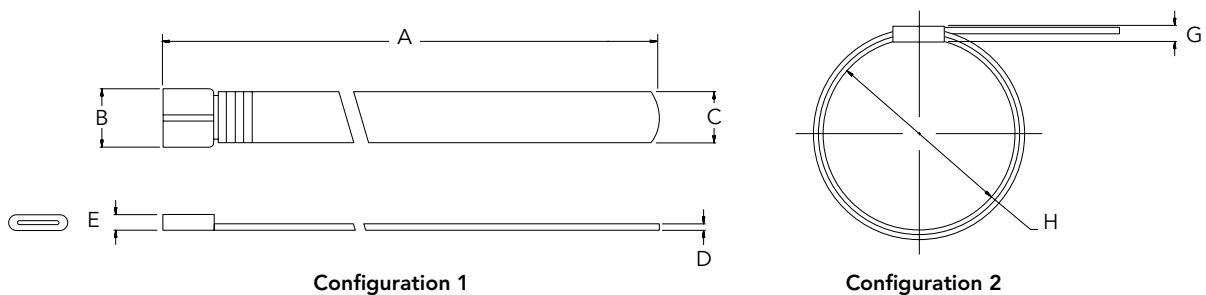
Basic Series

AS85049/128

1

Configuration: 1, 2, 3, 4

Dimensions



| Configuration | A | | B ^{±.031"} ±0.76mm | | C ^{±.010"} ±0.25mm | | D ^{±.003"} ±0.08mm | | E ^{±.015"} ±0.38mm | | G maxi | | H ref | |
|---------------|-------|--------|--------------------------------|------|--------------------------------|------|--------------------------------|------|--------------------------------|------|--------|------|-------|-------|
| | inch | mm | inch | mm | inch | mm | inch | mm | inch | mm | inch | mm | inch | mm |
| 1 | 13.94 | 354.07 | 0.328 | 8.33 | 0.245 | 6.22 | 0.19 | 0.48 | 0.100 | 2.54 | - | - | - | - |
| | 14.31 | 363.47 | | | | | | | | | - | - | | |
| 2 | - | - | - | - | - | - | - | - | - | - | 0.140 | 3.56 | 1.750 | 44.45 |
| 3 | 14.19 | 360.42 | 0.350 | 8.89 | 0.245 | 6.22 | 0.019 | 0.48 | 0.074 | 1.88 | - | - | - | - |
| | 14.31 | 363.47 | | | | | | | | | - | - | | |
| 4 | - | - | - | - | - | - | - | - | - | - | 0.150 | 3.81 | 1.750 | 44.45 |

Note: All dimensions are in inches and millimeters (inch/mm).

Notes

A large grid of graph paper for taking notes, consisting of 20 columns and 30 rows of small squares.

MIL-Spec Products

Appendix

■ Part Number Index 114

Part number index

Backshells

| | |
|--------------------|-------|
| AS85049/6..... | P. 14 |
| AS85049/7..... | P. 17 |
| AS85049/8..... | P. 20 |
| AS85049/9..... | P. 23 |
| AS85049/10..... | P. 26 |
| AS85049/11..... | P. 31 |
| AS85049/14..... | P. 36 |
| AS85049/15..... | P. 37 |
| AS85049/16..... | P. 37 |
| AS85049/17..... | P. 38 |
| AS85049/18..... | P. 39 |
| AS85049/19..... | P. 40 |
| AS85049/20..... | P. 41 |
| AS85049/21..... | P. 42 |
| AS85049/23..... | P. 43 |
| AS85049/24..... | P. 46 |
| AS85049/25..... | P. 49 |
| AS85049/26-1..... | P. 54 |
| AS85049/26-2..... | P. 55 |
| AS85049/26-3..... | P. 54 |
| AS85049/27..... | P. 56 |
| AS85049/29..... | P. 57 |
| AS85049/31..... | P. 58 |
| AS85049/33-2..... | P. 60 |
| AS85049/36..... | P. 61 |
| AS85049/37..... | P. 62 |
| AS85049/38..... | P. 63 |
| AS85049/39..... | P. 64 |
| AS85049/42..... | P. 65 |
| AS85049/43..... | P. 66 |
| AS85049/45..... | P. 67 |
| AS85049/46..... | P. 68 |
| AS85049/47..... | P. 69 |
| AS85049/49-2..... | P. 70 |
| AS85049/51..... | P. 71 |
| AS85049/52..... | P. 73 |
| AS85049/53..... | P. 75 |
| AS85049/54..... | P. 75 |
| AS85049/55..... | P. 75 |
| AS85049/57..... | P. 76 |
| AS85049/58..... | P. 77 |
| AS85049/60-1..... | P. 78 |
| AS85049/60-2G..... | P. 79 |
| AS85049/61..... | P. 80 |
| AS85049/62..... | P. 81 |
| AS85049/63..... | P. 82 |
| AS85049/69..... | P. 83 |
| AS85049/76..... | P. 84 |
| AS85049/77..... | P. 85 |
| AS85049/78..... | P. 86 |
| AS85049/79..... | P. 87 |
| AS85049/82..... | P. 88 |
| AS85049/83..... | P. 88 |
| AS85049/84..... | P. 88 |
| AS85049/85..... | P. 89 |
| AS85049/86..... | P. 89 |
| AS85049/87..... | P. 89 |
| AS85049/88..... | P. 90 |
| AS85049/89..... | P. 90 |
| AS85049/90..... | P. 90 |

| | |
|------------------|-------|
| AS85049/91..... | P. 91 |
| AS85049/92..... | P. 91 |
| AS85049/103..... | P. 92 |
| AS85049/104..... | P. 92 |
| AS85049/105..... | P. 92 |

Protective Cover

| | |
|----------------|--------|
| AS25042..... | P. 96 |
| AS25043..... | P. 97 |
| D38999/32..... | P. 98 |
| D38999/33..... | P. 99 |
| MS27501..... | P. 100 |
| MS27502..... | P. 101 |
| MS27510..... | P. 102 |
| MS27511..... | P. 103 |
| MS3180..... | P. 104 |
| MS3181..... | P. 105 |

Accessories

| | |
|------------------|--------|
| AS85049/93..... | P. 108 |
| AS85049/127..... | P. 109 |
| AS85049/128..... | P. 110 |

Notes

A large grid area for taking notes, consisting of 20 columns and 30 rows of small squares.

Reliable People, Reliable Solutions



Your local contact



Our contribution to environmental protection:
This catalog is printed on PEFC certified paper
Advancement of sustainable wood cultivation. www.pefc.org

www.esterline-connection-technologies.com
info@sunbankcorp.com



SUNBANK