

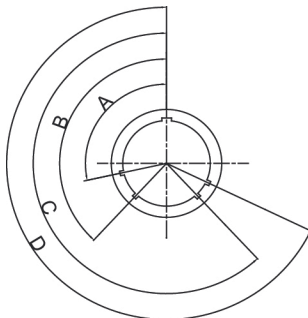
## MIL-DTL-38999 III Series Connector

### Brief Introduction

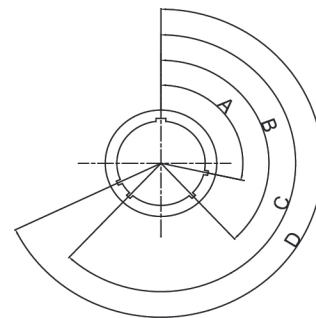


- Quick lock thread with anti-loosening mechanism
- 100% Scoop-proof to ensure no damage to the contacts in a blind mating application
- With grounding needs to strengthen emi/rfi shielding
- Excellent performance of shock & vibration resistance
- Good performance of fluid resistance
- Widely used in aerospace, aviation & military system, especially for high impact vibration environment

### MIL-DTL-38999 III Master Keyway/ Keying Positions



Receptacle Mate View



Plug Mate View

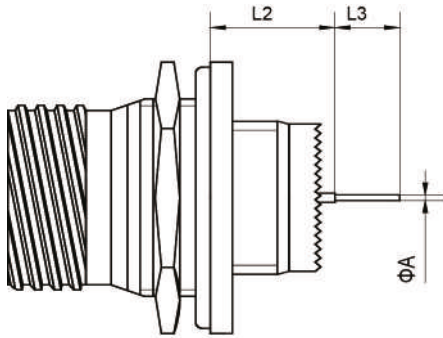
Shell No.	Shell No. Code	Keying						
		Angle	N	A	B	C	D	E
09	A	A0	105	102	80	35	64	91
		B0	140	132	118	140	155	131
		C0	215	248	230	205	234	197
		D0	265	320	312	275	304	240
11,13,15	B,C,D	A0	95	113	90	53	119	51
		B0	141	156	145	156	146	141
		C0	208	182	195	220	176	184
		D0	236	293	252	255	298	242
17,19,21, 23,25	E,F,G, H,J	A0	80	135	49	66	62	79
		B0	142	170	169	140	145	153
		C0	196	200	200	200	180	197
		D0	293	310	244	257	280	272

# Quanwei

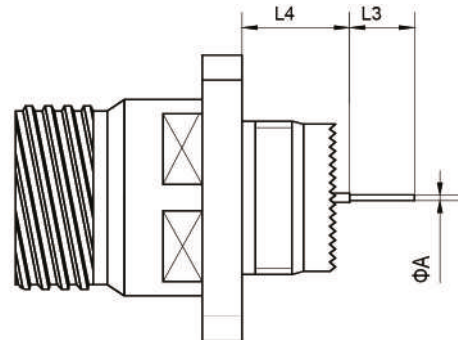
MIL-DTL-38999 III Series Connector

## Termination Size Straight to PCB Termination and Size

DC38999/24 Type Receptacle



DC38999/20 Type Receptacle



Straight to PCB Termination Contact Specification		L3	A
#22D	long straight to PCB termination contact PL SL	8.50	0.70
	short straight to PCB termination contact PC SC	4.00	
#20	long straight to PCB termination contact PL SL	8.50	0.70
	short straight to PCB termination contact PC SC	5.10	
#16	long straight to PCB termination contact PL SL	8.50	1.15
	short straight to PCB termination contact PC SC	5.10	

Length for Different Size Contact			Shell No. 09,11	Shell No. 13,15,17,19	Shell No. 21,23,25
	inserted contact				
L2	#22D pin	min.	10.52	10.34	
		max.	11.46	11.28	
	#22D socket	min.	10.19	10.01	
		max.	11.46	11.28	
	#20 or #16 pin,socket	min.	10.69	10.51	
		max.	11.63	11.45	
L4	#22D pin	min.	9.48		9.59
		max.	10.58		10.69
	#22D socket	min.	9.15		9.26
		max.	10.58		10.69
	#20 or #16 pin,socket	min.	9.65		9.76
		max.	10.75		10.86

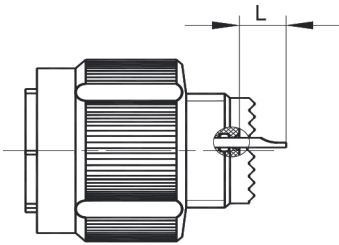
Note : See PCB hole size of the PCB hole in MIL-DTL-38999 III series

# Quanwei

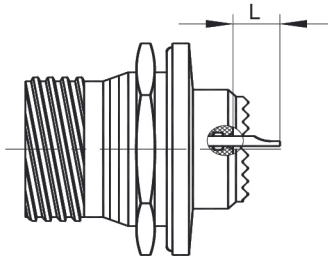
MIL-DTL-38999 III Series Connector

## Solder Contact Termination Size

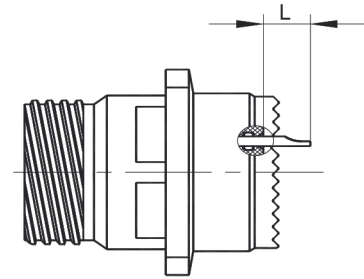
26 Type Plug



24 Type Receptacle



20 Type Receptacle



Note : L means the distance between the contact solder cup and the sealing wire

## MIL-DTL-38999 III Series Standard version

### Material

- Shell : aluminum alloy, stainless steel, titanium alloy
- Finish : olive drab cadmium (W), chemical nickel plating (F)  
stainless steel passivation (K), stainless steel nickel plating (S)  
titanium alloy electroless (TT)
- Insulation Mounting Plate : thermoplast
- Seal Ring : silicon rubber elastomer
- Contact : copper alloy
- Finish : nickel plated with gold

### Mechanical Performance

- Sinusoidal Vibration : 10–50Hz, speed 254mm/s  
50–140Hz, double –amplitude 1.5mm  
140–2000Hz, acceleration 588m/s<sup>2</sup>
- Random Vibration : high temperature 96(m/s<sup>2</sup>)<sup>2</sup>/ Hz 408 m/s<sup>2</sup>, 100 ~ 1000Hz
- Random Vibration : environment temperature 480(m/s<sup>2</sup>)<sup>2</sup>/ Hz, 100 ~ 300Hz
- Shock : 2940m/s<sup>2</sup> 3ms
- Durability : 500 mating cycles
- Contact Retentivity (Min.) :
  - #22D : 44N
  - #20 : 67N
  - #16 : 111N
  - #12 : 111N
  - #8 coaxial : 111N
  - #8 triax : 111N

### Electrical Performance

- Dielectric Strength (Vr.m.s) (Inserted Condition)

Rated Condition	M	N	I	II
seal level	1300	1000	1800	2300
21000m	800	600	1000	1000

- Contact Resistance (to lead silver conductor) & Rated Current

Contact No.	Insertion Diameter	Contact Resistance mΩ	Rated Current A
#22D	φ 0.762	14.6	5
#20	φ 1.02	7.3	7.5
#16	φ 1.588	3.8	13
#12	φ 2.39	1.8	23
#10	φ 3.18	1.0	33
#8	φ 3.61	0.6	46
#6	φ 4.52	0.5	60
#4	φ 5.72	0.3	80

## Electrical Performance

- Insulation Resistance :  $\geq 5000M\Omega$  (500V DC)
- Electrical Conductivity Between the Shells  
Olive drab cadmium plating (w) : 2.5Mv      chemical nickel plating : 1mv  
Stainless steel passivation (k) : 10mv      stainless steel with nickel plating (s) : 1mv  
Titanium alloy electroless (TT) : 10mV
- Shielding :  
100MHz : 90dB(F,W,S)      80dB(K,TT)  
1GHz : 85dB(F,W,S)      65dB(K,TT)  
10GHz : 65dB(F,S)      50dB(W)      45dB(K,TT)
- Coaxial Contact :  
Frequency : 0–1GHz      characteristic impedance : 50  $\Omega$   
VSWR  $\leq 1.3$
- Triax Contact :  
Bandwidth : 0–20MHz  
Rated voltage : 500V AC (max.)  
125V AC in 21000m  
Voltage drop : inner & middle contact :  $\leq 55mV$  in 1A  
Outer contact :  $\leq 75mV$  in 12A

## Environment Performance

- Temperature Range : olive drab cadmium plating (W) :  $-65^{\circ}C \sim +175^{\circ}C$   
chemical nickel plating (F, K, S, TT) :  $-65^{\circ}C \sim +200^{\circ}C$
- Salt Spray : 500h (W, K) 48h (F, S) 1000h (TT)
- Humidity Resistance : 24h each cycle, 10 cycles
- Fluid Resistance : hydraulic oil, refrigerating fluid, and other 12 solvents

### Name :

DC38999/ 20 W B 35 P N -U  
① ② ③ ④ ⑤ ⑥ ⑦ ⑧

① Serial No. : DC38999

② Shell Type : 20 – wall square flange receptacle  
24 – jam nut mount receptacle  
26 – straight plug

③ Finish : W – olive drab cadmium plating,  $-65^{\circ}C \sim +175^{\circ}C$   
F – chemical nickel plating,  $-65^{\circ}C \sim +200^{\circ}C$   
K – stainless steel passivation,  $-65^{\circ}C \sim +200^{\circ}C$   
S – stainless steel nickel plating,  $-65^{\circ}C \sim +200^{\circ}C$   
TT – titanium alloy electroless,  $-65^{\circ}C \sim +200^{\circ}C$

④ Shell No. :      09      11      13      15      17      19      21      23      25  
Shell No. Code :    A      B      C      D      E      F      G      H      J

⑤ Contact Arrangement

⑥ Contact Style : P – standard crimping pin      S – standard crimping socket  
A – no pin or customized pin      B – no socket or customized socket  
PH – solder cup pin      SH – solder cup socket  
PC – short type straight to PCB termination pin      SC – short type straight to PCB termination socket  
PL – long type straight to PCB termination pin      SL – long type straight to PCB termination socket

⑦ Master Keyway/Keying Position : N-normal A, B, C, D

⑧ Marking Instruction : U--left plug, No mark--right plug

Note 1. See PCB hole size for the PCB hole

Note 2. If order the terminal accessory with products together, please write "product model + terminal accessory model" in the purchase order, also the terminal accessory can be ordered separately.

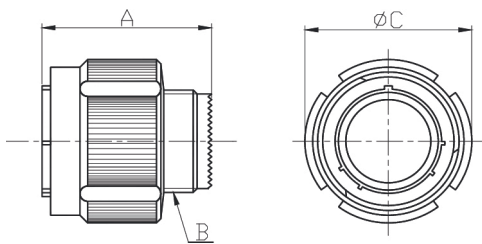
Note 3. #8 default to solder contact when the contact type is PH or SH. If change #8 solder contact to #8 coaxial contact, just put " /G "behind the model. Also changing to #8 triax contact, put /G1 behind the model.

Note 4. Wall sealing receptacle can only use pin contact, while the plug should adopt socket contact for the mating usage with receptacle.

Each wall sealing receptacle should use two plugs, left and right plug, left plug with a U mark and right plug without mark.

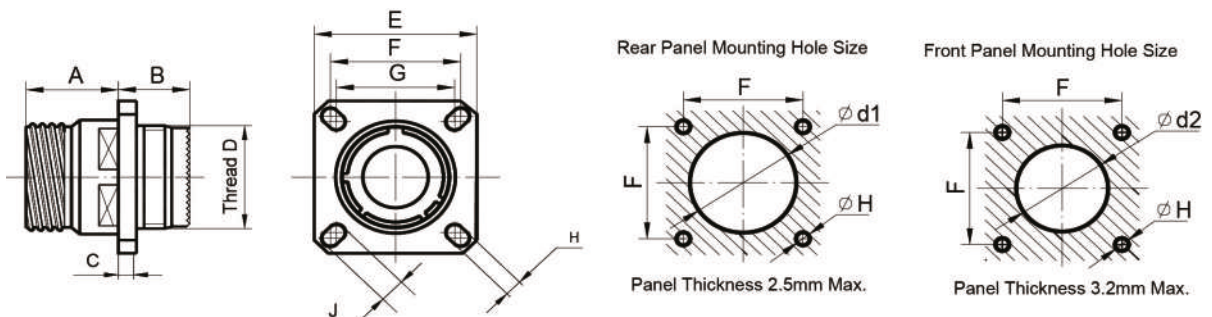
### DC38999/26 Plug Outline Dimension

D C 3 8 9 9 9 / 2 6 W



Shell No.	Shell No. Code	A max		Thread B	C max
09	A	31.00	A	M12 1-6g	21.80
11	B	31.00	B	M15 × 1-6g	25.00
13	C	31.00	C	M18 × 1-6g	29.40
15	D	31.00	D	M22 × 1-6g	32.50
17	E	31.00	E	M25 × 1-6g	35.70
19	F	31.00	F	M28 × 1-6g	38.50
21	G	31.00	G	M31 × 1-6g	41.70
23	H	31.00	H	M34 × 1-6g	44.90
25	J	31.00	J	M37 × 1-6g	48.00

### DC38999/20 Square Flange Receptacle



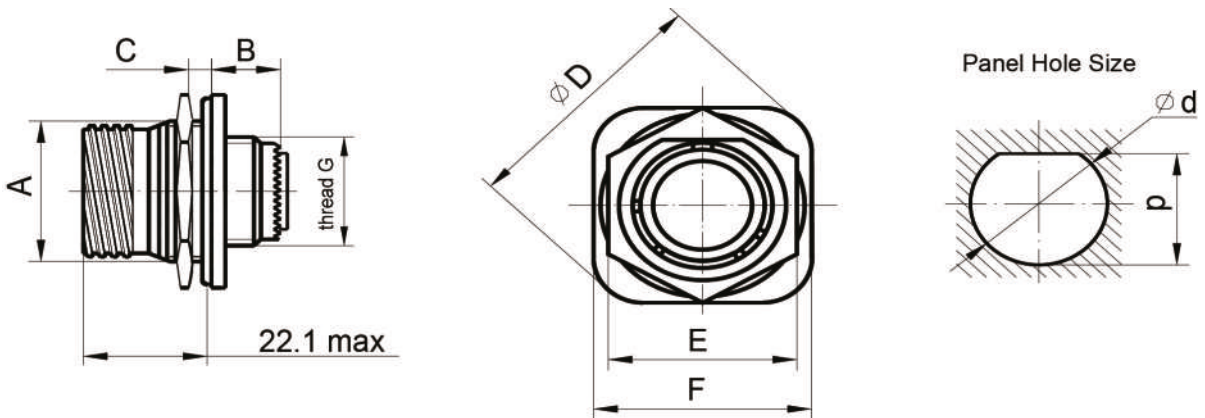
# Quanwei

## MIL-DTL-38999 III Series Connector

D C 3 8 9 9 9 / 2 0 W

Shell No.	Shell No. Code	A max	B max	C max	Thread D	E	F	G	H	J	d1	d2	
09	A	20.80	10.90	2.50	M12 × 1-6g	23.80	A	18.26	15.09	3.25	5.49	16.66	13.11
11	B	20.80	10.90	2.50	M15 × 1-6g	26.20	B	20.62	18.26	3.25	4.93	20.22	15.88
13	C	20.80	10.90	2.50	M18 × 1-6g	28.60	C	23.01	20.62	3.25	4.93	23.42	19.05
15	D	20.80	10.90	2.50	M22 × 1-6g	31.00	D	24.61	23.01	3.25	4.39	26.59	23.01
17	E	20.80	10.90	2.50	M25 × 1-6g	33.30	E	26.97	24.61	3.25	4.93	30.96	25.81
19	F	20.80	10.90	2.50	M28 × 1-6g	36.50	F	29.36	26.97	3.25	4.93	32.94	28.98
21	G	20.10	11.60	3.20	M31 × 1-6g	39.70	G	31.75	29.36	3.25	4.93	36.12	32.16
23	H	20.10	11.60	3.20	M34 × 1-6g	42.90	H	34.93	31.75	3.91	6.15	39.29	34.93
25	J	20.10	11.60	3.20	M37 × 1-6g	46.00	J	38.10	34.93	3.91	6.15	42.47	37.69

### DC38999/24 Jam Nut Mounting Receptacle



D C 3 8 9 9 9 / 2 4 W

Shell No.	Shell No. Code	A	B max	C max	D max	E max	F	Thread G	d	p
09	A	16.53	10.1	3.20	30.50	A	24.00	M12 × 1-6g	17.78	17.02
11	B	19.07	10.1	3.20	35.20	B	27.00	M15 × 1-6g	20.96	19.59
13	C	23.82	10.1	3.20	38.40	C	32.00	M18 × 1-6g	25.65	24.26
15	D	26.97	10.1	3.20	41.60	D	36.00	M22 × 1-6g	28.83	27.56
17	E	30.15	10.1	3.20	44.80	E	37.00	M25 × 1-6g	32.01	30.73
19	F	33.32	10.6	3.20	49.50	F	41.00	M28 × 1-6g	35.18	33.91
21	G	36.50	10.6	3.20	52.70	G	46.00	M31 × 1-6g	38.35	37.08
23	H	39.67	10.6	3.20	55.90	H	50.00	M34 × 1-6g	41.53	40.26
25	I	42.85	10.6	3.20	59.00	J	51.23	M37 × 1-6g	44.70	43.43

## MIL-DTL-38999 III Series Small Hermetic version

### Material

- Shell : stainless steel
- Finish : stainless steel passivation (E)  
stainless steel with nickel plating (N)
- Sealed Insulation Medium : glass

### Environment Performance

- Temperature Range : stainless steel passivation (E) : -65°C ~ +200°C  
stainless steel with nickel plating (N) : -65°C ~ +200°C
- Salt Spray : 500h (E)      48h (N)
- Tightness :  $1 \times 10^{-3} \text{Pa} \cdot \text{cm}^3/\text{s}$

### Name

DC38999/ 21 Y B 35 P N  
①      ②   ③   ④   ⑤   ⑥   ⑦

① Serial No. : DC38999

② Shell Type : 21 – square flange mount gas sealing receptacle  
23 – jam nut mount gas sealing receptacle  
25 – solder mount gas sealing receptacle  
27 – tin solder mount sealing receptacle

③ Finish : Y – stainless steel passivation  
N – stainless steel with nickel plating

④ Shell No. :            09 11 13 15 17 19 21 23 25

Shell No. Code :    A   B   C   D   E   F   G   H   J

⑤ Contact Arrangement

⑥ Contact Style : P – solder pin

X – pin contact with connecting grommet (gas sealing type)

⑦ Master Keyway/ Keying Position : N-normal A, B, C, D, E

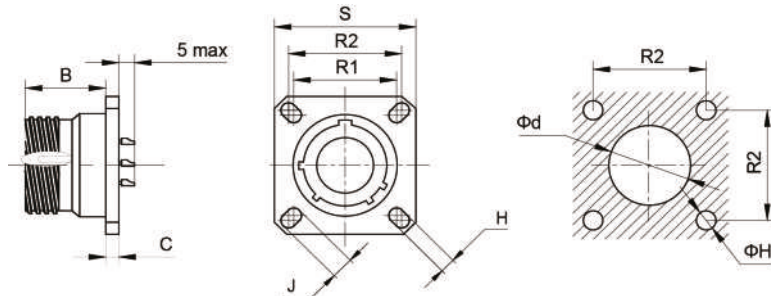


# Quanwei

MIL-DTL-38999 III Series Connector

## Outline Dimension

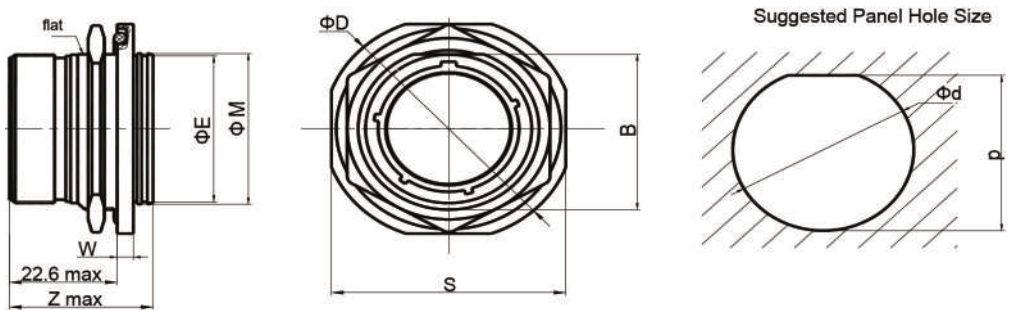
### DC38999/21 Square Flange Receptacle



D C 3 8 9 9 9 / 2 1 Y

Shell No.	B max	C	J	H		R1	R2	S	d <sup>+0.2 0</sup>
09	21.4	2.50	5.49	3.25	A	15.09	18.26	23.8	8.0
11	21.4	2.50	4.93	3.25	B	18.26	20.62	26.2	11.3
13	21.4	2.50	4.93	3.25	C	20.62	23.01	28.6	14.2
15	21.4	2.50	4.39	3.25	D	23.01	24.61	31.0	17.3
17	21.4	2.50	4.93	3.25	E	24.61	26.97	33.3	20.5
19	21.4	2.50	4.93	3.25	F	26.97	29.36	36.5	22.8
21	21.4	2.50	4.93	3.25	G	29.36	31.75	39.7	25.9
23	21.4	2.50	6.15	3.91	H	31.75	34.93	42.9	29.1
25	21.4	2.50	6.15	3.91	J	34.93	38.10	46.0	32.3

### DC38999/23 Jam Nut Mount Receptacle



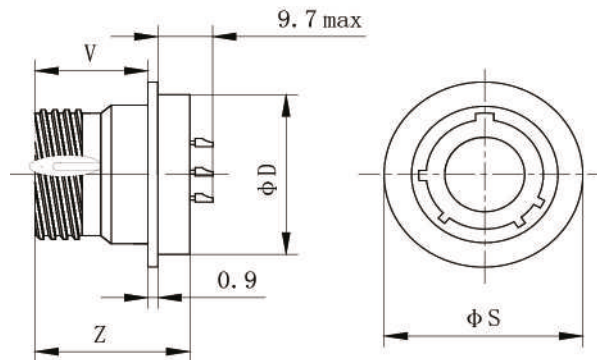
D C 3 8 9 9 9 / 2 1 Y

Shell No.	Z max	D	S	W	B		E	M	P	d
09	29.2	30.2	27.0	2.6	16.6	A	15.3	16.4	17.02	17.78
11	29.2	34.9	31.8	2.6	19.1	B	18.4	19.5	19.59	20.96
13	29.2	38.1	34.9	2.6	23.9	C	21.6	22.8	24.26	25.65
15	29.2	41.3	38.1	2.6	27.0	D	24.8	26.0	27.56	28.83
17	29.2	44.5	41.3	2.6	30.2	E	28.0	29.1	30.73	32.01
19	30.1	49.2	46.0	3.4	33.3	F	31.2	32.3	33.91	35.18
21	30.1	52.4	46.0	3.4	36.55	G	34.3	35.5	37.08	38.35
23	30.1	55.6	52.4	3.4	39.7	H	37.5	39.7	40.26	41.53
25	30.1	58.7	55.6	3.4	42.9	J	40.7	42.9	43.43	44.70

# Quanwei

MIL-DTL-38999 III Series Connector

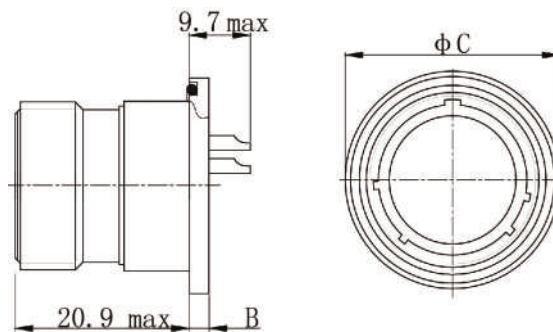
## DC38999/25 Solder Mount Gas Sealing Receptacle



D C 3 8 9 9 9 / 2 5 Y ↑

Shell No.	Z max	V max		S	D
09	23.8	17.2	A	19.4	17.1
11	23.8	17.2	B	21.8	19.9
13	23.8	17.2	C	24.9	23.1
15	23.8	17.2	D	28.1	26.2
17	23.8	17.2	E	31.3	29.4
19	23.8	17.2	F	33.6	31.8
21	23.8	17.2	G	36.8	35.0
23	24.6	17.2	H	40.0	38.2
25	24.6	17.2	J	43.2	41.3

## DC38999/27 Fusion Solder Mount Sealing Receptacle



D C 3 8 9 9 9 / 2 7 Y ↑

Shell No.	Shell No. Code		φ C max	B ± 0.2
09	A	A	25.0	3.2
11	B	B	28.1	3.2
13	C	C	31.3	3.2
15	D	D	34.5	3.2
17	E	E	36.7	3.2
19	F	F	40.4	3.2
21	G	G	44.0	3.2
23	H	H	48.2	4.0
25	J	J	50.4	4.0

## MIL-DTL-38999 III Series Bulkhead Feed-throughs

### Material

- Shell : stainless steel  
Finish : stainless steel passivation (Y)  
          stainless steel with nickel plating (N)
- Sealed Insulating Medium : glass

### Temperature Performance

- Temperature Range : stainless steel passivation (Y) :  $-65^{\circ}\text{C} \sim +200^{\circ}\text{C}$   
                          stainless steel with nickel plating (N) :  $-65^{\circ}\text{C} \sim +200^{\circ}\text{C}$
- Salt Spray : 500h (Y)      48h (N)
- Tightness :  $1 \times 10^{-3}\text{Pa} \cdot \text{cm}^3/\text{s}$

### Name :

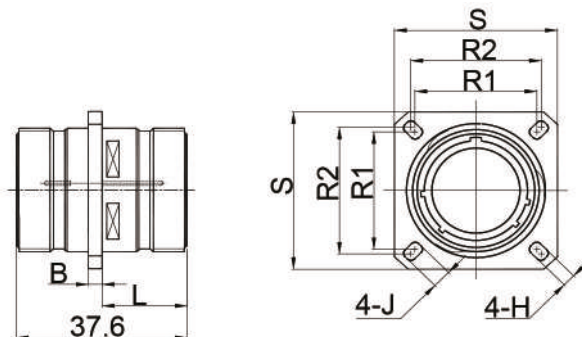
DC38999/ 20 Y B 35 C N

① ② ③ ④ ⑤ ⑥ ⑦

- ① Serial No. : DC38999
- ② Shell Type : 20 – wall square flange wall mount receptacle  
                  24 – wall square flange receptacle
- ③ Finish : Y – gas sealing, stainless steel outer shell passivation,  $-65^{\circ}\text{C} \sim +200^{\circ}\text{C}$   
          N – gas sealing, stainless steel outer shell with nickel plating,  $-65^{\circ}\text{C} \sim +200^{\circ}\text{C}$
- ④ Shell No. :           09 11 13 15 17 19 21 23 25  
Shell No. Code :    A B C D E F G H J
- ⑤ Contact Arrangement
- ⑥ Contact Style : C – wall mount pin
- ⑦ Master Keyway/ Keying Position : N-normal A, B, C, D, E

### Outline Dimension

#### DC38999/20 Wall Square Flange Wall Mount Receptacle



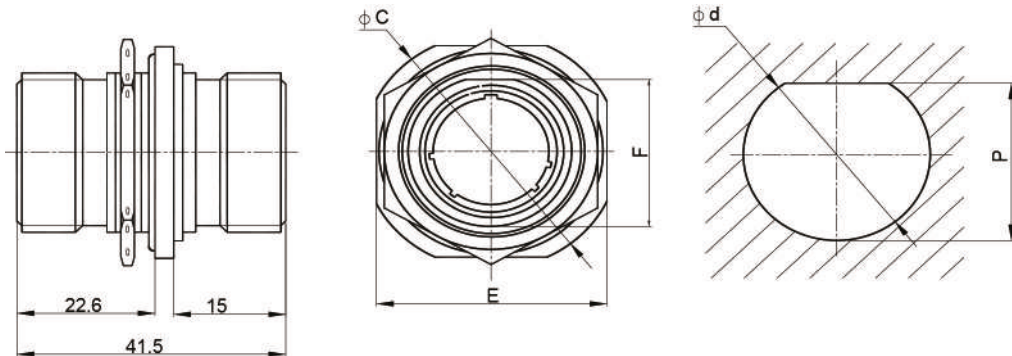
# Quanwei

## MIL-DTL-38999 III Series Connector

D C 3 8 9 9 9 / 2 0 Y

Shell No.	Shell No. Code	L	B	S		R1	R2	H	J
09	A	19.5	3.2	23.8	A	15.09	18.26	3.25	5.49
11	B	19.5	3.2	26.2	B	18.26	20.62	3.25	4.93
13	C	19.5	3.2	28.6	C	20.62	23.01	3.25	4.93
15	D	19.5	3.2	31.0	D	23.01	24.61	3.25	4.93
17	E	19.5	3.2	33.3	E	24.61	26.97	3.25	4.93
19	F	19.5	3.2	36.5	F	26.97	29.36	3.25	4.93
21	G	18.7	3.2	39.7	G	29.36	31.75	3.25	4.93
23	H	18.7	3.2	42.9	H	31.75	34.93	3.91	6.15
25	J	18.7	3.2	46.0	J	34.93	38.10	3.91	6.15

### DC38999/24 Jam Nut Wall Mount Sealing Receptacle



D C 3 8 9 9 9 / 2 0 Y

Shell No.	Shell No. Code	$\phi C$	E		F	$\phi d^{+0.2}_0$	p
09	A	30.5	27.0	A	16.53	17.78	17.02
11	B	35.2	31.8	B	19.07	20.96	19.59
13	C	38.4	34.9	C	23.82	25.65	24.26
15	D	41.6	38.1	D	26.97	28.83	27.56
17	E	44.8	41.3	E	30.15	32.01	30.73
19	F	49.5	46.0	F	33.32	35.18	33.91
21	G	52.7	49.2	G	36.50	38.35	37.08
23	H	55.9	52.4	H	39.67	41.53	40.26
25	J	59.0	55.6	J	42.85	44.70	43.43

## MIL-DTL-38999 III Series Lanyard Release Type

### Material

- Shell : aluminum alloy  
Finish : olive drab cadmium plating (W)
- Span Wire : multistrand of stainless steel wire rope

### Mechanical Performance

- Durability : 500 times
- Vibration : 10Hz ~ 2000Hz , 1.0g<sup>2</sup>m/Hz
- External Bending Moment : 28.3 N · m
- Shock : 300g
- Span Wire Tolerance : 900N
- Separating Force : normal axis direction 160 ~ 400N
- 15 degree angle to normal axis direction 160 ~ 445N

### Electrical Performance

- Voltage : 250V
- Dielectric Strength : 1000V

### Environment Performance

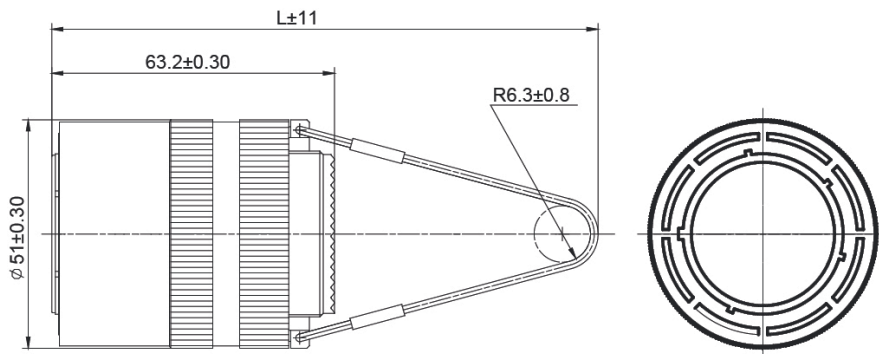
- Environment Temperature : -65°C ~ +175°C
- Salt Spray : 500h
- Tightness : with water & rain proof while insertion
- Rainfall Test : rainfall speed 2<sup>+0.3</sup><sub>-0.2</sub> mm/min  
raindrop diameter 0.5mm-4.5mm  
rainfall time 40 min

#### Name :

DC38999/ 31 W E 20 P N 1  
① ② ③ ④ ⑤ ⑥ ⑦ ⑧

- ① Serial No. : DC38999
- ② Shell Type : 31 shell span wire separating plug
- ③ Class : W- olive drab cadmium plating, -65°C ~ +175°C
- ④ Span Wire Length Code : E F G H I J K L  
Span Wire Length : 153 166 178 191 203 216 229 242
- ⑤ Contact Arrangement
- ⑥ Contact Style : P – standard crimping pin  
A – no pin or customized pin
- ⑦ Master Keyway/ Keying Position : N-normal A, B, C, D, E
- ⑧ Type Code : type 1, type 2, type 3, type 4, type 5, type 6

## DC38999/31 Shell Span Wire Separating Plug



Note : See type list for different span wire length code to the span wire length

## MIL-DTL-38999 III Series Composite version

### Brief Introduction

- Quick lock thread with anti-loosening mechanism
- 100% scoop-proof to ensure no damage to the contacts in a blind mating application
- With grounding needs to strengthen EMI/RFI shielding
- 25% lighter than the general aluminum shell type

### Material

- Shell : carbon fiber reinforced thermoplastic material  
Finish : olive drab cadmium plating (J) nickel plating (M)
- Insulation Mounting Plate : thermoplast
- Seal Ring : silicon rubber elastomer
- Contact : copper alloy
- Finish : nickel with gold plating

### Mechanical Performance

- Durability : 1500 mating cycles

### Electrical Performance

- Electrical Conductivity Between the Shell : 3mV
- Shielding : 100MHz : 90dB      1GHz : 85dB  
                  10GHz(M) : 65dB      10GHz(J) : 50dB

### Environment Performance

- Temperature Range : olive drab cadmium plating (J) : -65°C ~ +175°C  
                                  nickel plating (M) : : -65°C ~ +200°C
- Salt Spray : 2000h

#### Name :

DC38999/ 20 J B 35 H N  
①    ②    ③    ④    ⑤    ⑥    ⑦

① Serial No. : D38999

② Shell Type : 20 – wall square flange wall mount receptacle  
                  26 – straight shielding plug

③ Finish : J – composite with olive drab cadmium plating (electric conduction)  
                  M – composite with chemical nickel plating (electric conduction)

Shell No. :            09 11 13 15 17 19 21 23 25

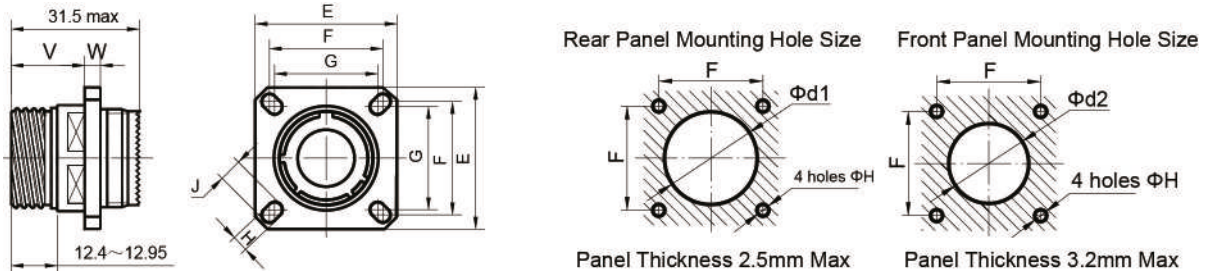
④ Shell No. Code :    A B C D E F G H J

# Quanwei

MIL-DTL-38999 III Series Connector

- ⑤ Contact Arrangement
- ⑥ Contact Style : P-pin (1500 mating cycles)  
S-socket (1500 mating cycles)  
A – no pin or customized pin  
B – no socket or customized socket
- ⑦ Master Keyway/ Keying Position : N-normal A, B, C, D, E

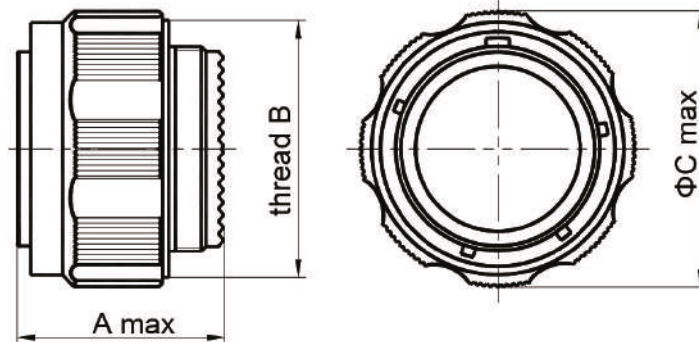
## DC38999/20 Square Flange Receptacle



D C 3 8 9 9 9 / 2 0 J

Shell No.	Shell No. Code	E ± 0.3	F	G	H ± 0.2		J ± 0.2	V+1.4	W	d1	d2
09	A	23.80	18.26	15.09	3.25	A	5.49	19.5	3.65 ~ 2.1	16.66	13.11
11	B	26.20	20.62	18.26	3.25	B	4.93	19.5	3.65 ~ 2.1	20.22	15.88
13	C	28.60	23.01	20.62	3.25	C	4.93	19.5	3.65 ~ 2.1	23.42	19.05
15	D	31.00	24.61	23.01	3.25	D	4.39	19.5	3.65 ~ 2.1	26.59	23.01
17	E	33.30	26.97	24.61	3.25	E	4.93	19.5	3.65 ~ 2.1	30.96	25.81
19	F	36.50	29.36	26.97	3.25	F	4.93	19.5	3.65 ~ 2.1	32.94	28.98
21	G	39.70	31.75	29.39	3.25	G	4.93	18.7	4.35 ~ 2.1	36.12	32.16
23	H	42.90	34.93	31.75	3.91	H	6.15	18.7	4.35 ~ 2.1	39.29	34.93
25	J	46.00	38.10	34.93	3.91	J	6.15	18.7	4.35 ~ 2.1	42.47	37.69

## DC38999/26 Plug





# Quanwei

## MIL-DTL-38999 III Series Connector

D C 3 8 9 9 9 / 2 6 J

Shell No.	Shell No. Code	A		Thread B	C
09	A	31.00	A	M12 × 1-6g	21.80
11	B	31.00	B	M15 × 1-6g	25.00
13	C	31.00	C	M18 × 1-6g	29.40
15	D	31.00	D	M22 × 1-6g	32.50
17	E	31.00	E	M25 × 1-6g	35.70
19	F	31.00	F	M28 × 1-6g	38.50
21	G	31.00	G	M31 × 1-6g	41.70
23	H	31.00	H	M34 × 1-6g	44.90
25	J	31.00	J	M37 × 1-6g	48.00

### Standard Terminal Accessory

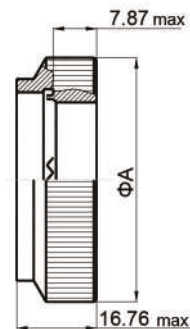
DC85049/ 14 - 11 N  
 ① ② ③ ④ ⑤

- ① Serial No. : DC85049/
- ② Terminal Shell Accessory Type : 14—straight crimping sleeve
- ③ — : non self-locking  
 S — : self-locking
- ④ Shell No. : 09 11 13 15 17 19 21 23 25
- ⑤ Coating : N—nickel plating (only for air force and aviation device)  
 W – olive drab cadmium plating  
 S –stainless steel passivation  
 TT—titanium alloy electroless

Stereogram



Outline Dimension



D C 8 5 0 4 9 / 1 4 -

Shell No.	φ A max
09	21.8
11	25.0
13	29.29
15	32.49
17	35.71
19	38.50
21	41.71
23	44.91
25	47.98

# Quanwei

## MIL-DTL-38999 III Series Connector

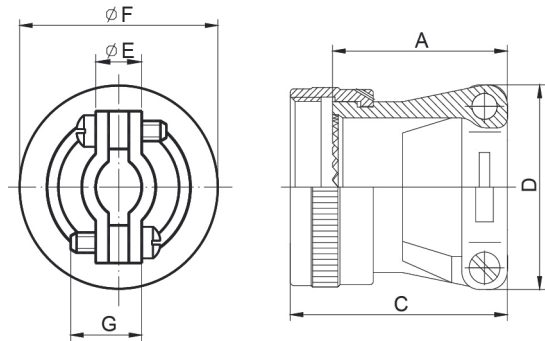
DC85049/ 38 = 11 N  
 ① ② ③ ④ ⑤

- ① Serial No. : DC85049/
- ② Terminal shell Accessory Type : 38–straight cable clamp
- ③ — : non self–locking  
 S — : self–locking
- ④ Shell No. : 09 11 13 15 17 19 21 23 25
- ⑤ Finish : A – black anodization  
 N – nickel plating  
 W – olive drab cadmium plating  
 S – stainless steel passivation  
 TT – titanium alloy electroless

Stereogram



Outline Dimension



D C 8 5 0 4 9 / 3 8 -

Shell No.	A max	C max	D max	F max	Adapted Cable Diameter		G	
					min	max		
09	22.5	29.5	17.00	09	16.5	2.49	5.94	13.50
11	22.5	29.5	20.00	11	20	3.90	5.94	13.50
13	24.0	30.5	23.00	13	23	4.83	8.33	16.30
15	25.5	31.5	26.30	15	27	6.60	11.61	20.00
17	27.5	33.5	29.30	17	30	7.19	15.60	20.00
19	29.3	36.0	32.30	19	33	8.26	16.10	20.00
21	34.3	40.5	37.30	21	36	8.71	17.73	22.50
23	34.3	40.5	40.30	23	39	9.68	20.90	26.50
25	34.3	40.5	43.30	25	42	10.62	21.67	29.50

DC85049/ 39 = 11 N  
 ① ② ③ ④ ⑤

- ① Serial No. : DC85049/
- ② Terminal Shell Accessory Type : 39 – 90° cable clamp
- ③ – non self–locking :  
 S : self–locking
- ④ Shell No. : 09 11 13 15 17 19 21 23 25
- ⑤ Finish : A – black anodization  
 N – nickel plating

# Quanwei

## MIL-DTL-38999 III Series Connector

W – olive drab cadmium plating

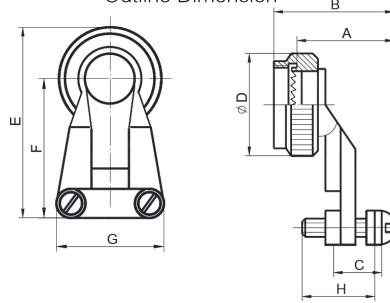
S – stainless steel passivation

TT – titanium alloy electroless

Stereogram



Outline Dimension



D C 8 5 0 4 9 / 3 9 -

Shell No.	A max	B max	Adpated Cable Diameter C		D max	E max	F max	G max	H	
09	26.0	33.5	2.49	5.94	09	16.5	26.00	19.00	16.50	13.50
11	26.0	33.5	3.90	5.94	11	20.0	29.00	20.00	19.50	13.50
13	30.0	33.5	4.83	8.33	13	23.0	34.00	24.00	22.50	16.30
15	31.0	34.5	6.60	11.61	15	27.0	38.00	26.00	26.00	20.00
17	31.5	35.0	7.19	15.60	17	30.0	41.00	27.00	29.00	20.00
19	32.0	35.5	8.26	16.10	19	33.0	46.00	31.00	32.00	20.00
21	33.0	36.5	8.71	17.74	21	36.0	49.00	32.00	37.00	22.50
23	35.0	38.5	9.68	20.90	23	39.0	54.00	36.00	40.00	26.50
25	35.0	38.5	10.62	21.67	25	42.0	59.00	39.00	43.00	29.50

DC85049/ 69 -11 N D  
 ① ② ③ ④ ⑤

① Serial No. : DC85049/

② Terminal Shell Accessory Type : 69 – strinkable sleeve adapter

③ Shell No. : 09 11 13 15 17 19 21 23 25

④ Finish : A – black anodization

N – nickel plating

W – olive drab cadmium plating

S – stainless steel passivation

TT – titanium alloy electroless

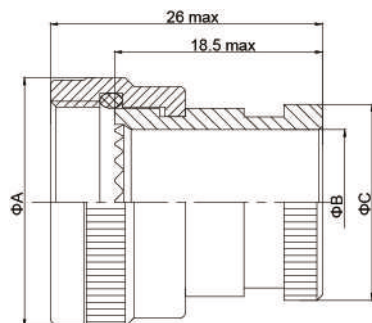
⑤ Leak Selection : no mark – no gas vent

D– with gas vent

Stereogram



Outline Dimension



# Quanwei

## MIL-DTL-38999 III Series Connector

D C 8 5 0 4 9 / 6 9 -



Shell No.	ΦA max		ΦB max	ΦC max
09	16.50	09	7.50	12.00
11	19.50	11	10.50	15.00
13	22.50	13	13.50	18.00
15	26.50	15	16.50	21.00
17	29.50	17	19.50	24.50
19	32.50	19	22.50	27.00
21	35.50	21	25.50	31.50
23	38.50	23	28.50	35.00
25	41.50	25	31.50	37.00

DC85049/ 20 -11 W

① ② ③ ④

① Serial No. : DC85049/

② Terminal Shell Accessory Type : 20 – shrinkable sleeve adapter

③ Shell No. : 09 11 13 15 17 19 21 23 25

④ Finish : A – black anodization

N – nickel plating

W – olive drab cadmium plating

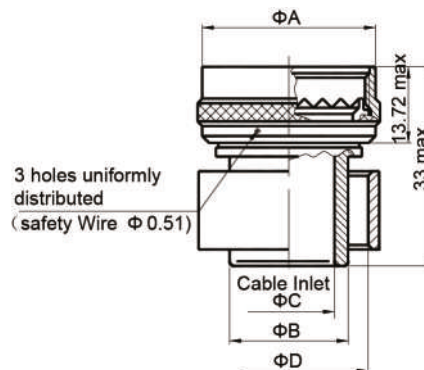
S – stainless steel passivation

TT – titanium alloy electroless

Stereogram



Outline Dimension



D C 8 5 0 4 9 / 2 0 -



Shell No.	A max	B		C	D
9	15.0	8.81	09	6.73	10.3
11	18.5	11.56	11	8.71	13.0
13	21.6	12.95	13	11.10	15.0
15	25.6	16.00	15	14.27	18.0
17	29.0	19.30	17	17.45	21.3
19	32.0	22.61	19	20.62	25.6
21	35.0	25.65	21	23.80	28.6
23	38.0	28.70	23	26.57	31.7
25	41.0	30.53	25	28.58	33.4

# Quanwei

## MIL-DTL-38999 III Series Connector

DC85049/ 21      09      N      02      A  
 ①      ②      ③      ④      ⑤      ⑥

- ① Serial No. : DC85049/
- ② Terminal Shell Accessory Type : 21 – straight cable clamp
- ③ Shell No. : 09    11    13    15    17    19    21    23    25
- ④ Finish : A – black anodization  
 N – nickel plating  
 W – olive drab cadmium plating  
 S – stainless steel passivation  
 TT – titanium alloy electroless
- ⑤ Cable Clamp No. : 01, 02, 03, 05, 07, 08, 09, 10
- ⑥ Length Code : normal (no mark) A, B, C

Stereogram



Outline Dimension

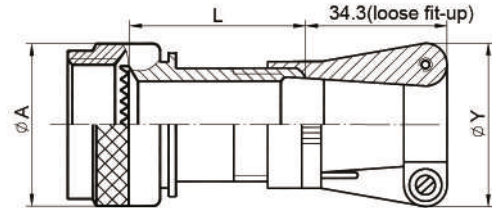


Chart 1

Shell No.	Cable Clamp No.		A max
	min	max	
09	01	02	19.1
11	01	03	21.6
13	02	04	25.4
15	02	05	27.9
17	02	06	31.8
19	03	07	35.6
21	03	08	38.1
23	03	09	41.9
25	04	10	44.5

Chart 2

Cable Clamp No.	Adpated Cable Diameter		Y max
	min	max	
01	1.57	3.18	20.3
02	3.18	6.35	25.4
03	6.35	9.53	27.9
04	7.93	12.70	30.5
05	11.10	15.88	31.8
06	14.27	19.05	35.6
07	17.45	22.23	38.1
08	20.62	25.40	41.9
09	23.80	28.58	44.5
10	26.97	31.75	48.3

Chart 3

Shell No.	Length Code	L
9 ~ 25	Normal (no mark)	38.1
9 ~ 25	A	63.5
15 ~ 25	B	88.9
21 ~ 25	C	114.3

# Quanwei

## MIL-DTL-38999 III Series Connector

DC85049/ 18      11      W    02      A  
 ①      ②      ③      ④      ⑤      ⑥

- ① Serial No. : DC85049/
- ② Terminal Shell Accessory Type : 18 – shielded termination to cable sealing clamp
- ③ Shell No. : 09    11    13    15    17    19    21    23    25
- ④ Finish : N – nickel plating  
 W – olive drab cadmium plating  
 S – stainless steel passivation  
 TT – titanium alloy electroless
- ⑤ Cable Clamp No. : 01, 02, 03, 05, 07, 08, 09
- ⑥ Length Code : normal (no mark) A, B, C

Stereogram



Outline Dimension

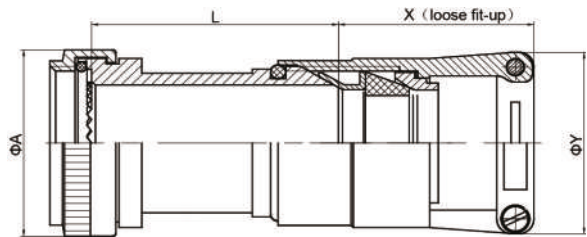


Chart 1

Shell No.	Cable Clamp No.		A max
	min	max	
09	01	02	19.1
11	01	03	21.6
13	02	04	25.4
15	02	05	29.2
17	02	06	31.8
19	03	07	35.6
21	03	08	39.4
23	03	09	41.9
25	04	10	47.0

Chart 2

Shell No.	Length Code	L
9 ~ 25	Normal (no mark)	38.1
9 ~ 25	A	63.5
15 ~ 25	B	88.9
15 ~ 25	C	114.3

Chart 3

Cable Clamp No.	Adpated Cable Diameter		Y max	X max
	min	max		
01	1.57	3.18	20.3	31.75
02	3.18	6.35	25.4	31.75
03	6.35	9.35	27.9	31.75
04	9.35	12.70	30.5	31.75
05	12.70	15.88	31.8	34.29
06	15.88	19.05	35.6	34.93
07	19.05	22.23	38.1	38.10
08	22.23	25.40	41.9	41.28
09	25.40	28.58	44.5	41.28
10	28.58	31.75	48.3	41.28

# Quanwei

MIL-DTL-38999 III Series Connector

## Special Terminal Accessory

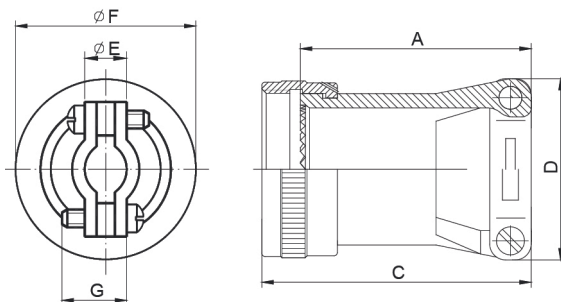
DC85049/ 38H00    -    11    w  
 ①                    ②                    ③                    ④                    ⑤

- ① Serial No. : DC85049/
- ② Terminal shell Accessory Type : 38H00 – 38 elongated straight cable clamp (specialized for solder products)
- ③ Terminal Shell Nut Type– – non self-locking; S – self-locking
- ④ Shell No. : 09    11    13    15    17    19    21    23    25
- ⑤ Finish : A – black anodization  
 N – nickel plating  
 W – olive drab cadmium plating  
 S – stainless steel passivation  
 TT – titanium alloy electroless

Stereogram



Outline Dimension



D C 8 5 0 4 9 / 3 8 H 0 0

Shell No.	A max	C max	D max	F max		Adapted Cable Diameter		G
						min	max	
09	31.00	37.50	17.00	16.5	09	2.49	5.94	13.50
11	32.00	38.50	20.00	20.0	11	3.90	5.94	13.50
13	32.50	39.00	23.00	23.0	13	4.83	8.33	16.30
15	33.50	40.00	26.30	27.0	15	6.60	11.61	20.00
17	36.00	42.50	29.30	30.0	17	7.19	15.60	20.00
19	39.50	46.00	32.30	33.0	19	8.26	16.10	20.00
21	46.00	52.50	37.30	36.0	21	8.71	17.73	23.50
23	46.00	52.50	40.30	39.0	23	9.68	20.90	26.50
25	46.00	52.50	43.30	42.0	25	10.62	21.67	29.50

DC85049/ 38H00    -    11    N  
 ①                    ②                    ③                    ④                    ⑤

- ① Serial No. : DC85049/
- ② Terminal Shell Accessory Type : 39H00 – 39 elongated 90 degree cable clamp (specialized for solder products)
- ③ Terminal Shell Nut Type : – – non self-locking; S – self-locking

# Quanwei

## MIL-DTL-38999 III Series Connector

④ Shell No. : 09 11 13 15 17 19 21 23 25

⑤ Finish : N – nickel plating

A – black anodization

W – olive drab cadmium plating

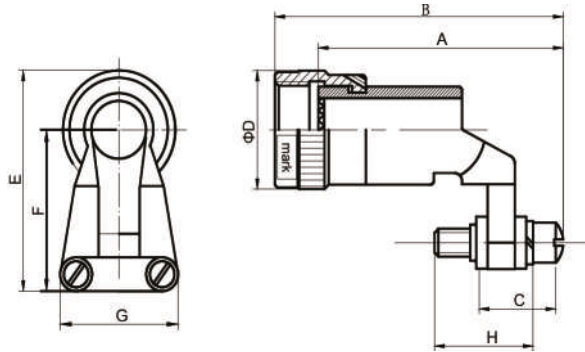
S – stainless steel passivation

TT – titanium alloy electroless

Stereogram



Outline Dimension



D C 8 5 0 4 9 / 3 9 H 0 0

Shell No.	A max	B max	Adapted Cable Diamete		D max	D	E max	F max	G max	H
			min	max						
09	34.70	41.20	2.49	5.94	16.5	09	26.00	19.00	16.30	13.50
11	35.50	42.00	3.90	5.94	20.0	11	29.00	20.00	19.30	13.50
13	36.50	43.00	4.83	8.33	23.0	13	34.00	24.00	22.30	16.30
15	39.40	45.90	6.60	11.61	27.0	15	38.00	26.00	25.60	20.00
17	39.90	46.40	7.19	15.60	30.0	17	41.00	27.00	29.00	20.00
19	40.40	46.90	8.26	16.10	33.0	19	46.00	31.00	32.00	20.00
21	47.90	54.40	8.71	17.74	36.0	21	49.00	32.00	36.80	23.50
23	47.90	54.40	9.68	20.90	39.0	23	54.00	36.00	40.00	26.50
25	47.90	54.40	10.62	21.67	42.0	25	59.00	39.00	43.00	29.50

DC85049/ 38A – 11 N  
 ① ② ③ ④ ⑤

① Serial No. : DC85049/

② Terminal Shell Accessory Type : 38A – 38 short straight cable clamp

③ Shell No. : 09 11 13 15 17 19 21 23 25

⑤ Finish : N – nickel plating

A – black anodization

W – olive drab cadmium plating

S – stainless steel passivation

TT – titanium alloy electroless



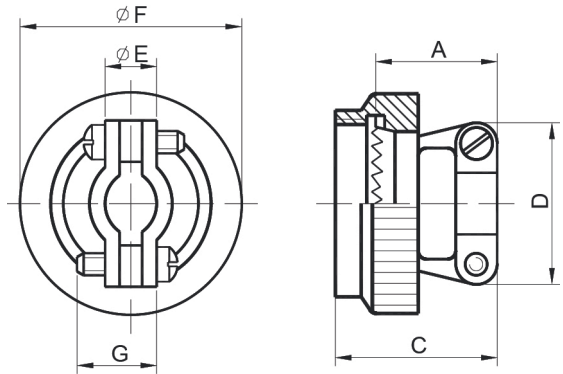
# Quanwei

## MIL-DTL-38999 III Series Connector

Stereogram



Outline Dimension



D C 8 5 0 4 9 / 3 8 A -

Shell No.	A max	C max	D max		F max	Adapted Cable Diameter		G
						min	max	
09	16.70	23.20	17.00	09	16.5	2.49	5.94	13.50
11	16.70	23.20	20.00	11	20.0	3.90	5.94	13.50
13	19.00	25.50	23.00	13	23.0	4.83	8.33	16.30
15	19.00	25.50	26.30	15	27.0	6.60	11.61	20.00
17	19.00	25.50	29.30	17	30.0	7.19	15.60	20.00
19	19.00	25.50	32.30	19	33.0	8.26	16.10	20.00
21	19.00	25.50	37.30	21	36.0	8.71	17.73	23.50
23	19.00	25.50	40.30	23	39.0	9.68	20.90	26.50
25	19.00	25.50	43.30	25	42.0	10.62	21.67	29.50

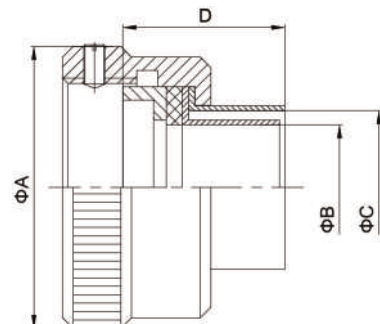
DC85049/ C -11 N  
① ② ③ ④

- ① Serial No. : DC85049/
- ② Terminal Shell Accessory Type : C – special shielding accessory (for crimping products)
- ③ Shell No. : 09 11 13 15 17 19 21 23 25
- ④ Finish : N – nickel plating  
W – olive drab cadmium plating  
S – stainless steel passivation  
TT – titanium alloy electroless

Stereogram



Outline Dimension



# Quanwei

## MIL-DTL-38999 III Series Connector

D C 8 5 0 4 9 / C -

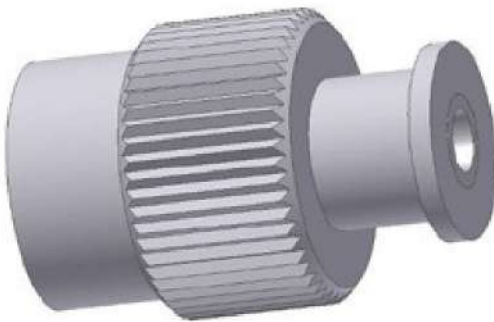


Shell No.	$\phi$ A max	$\phi$ B max		$\phi$ C max	D
09	18.5	6.5	09	9.0	15.4
11	21.5	6.5	11	9.0	15.4
13	24.5	9.0	13	11.5	15.4
15	28.5	12.3	15	14.8	15.4
17	31.5	16.3	17	18.8	15.4
19	34.5	16.8	19	19.3	15.4
21	37.5	18.4	21	20.9	15.4
23	40.5	21.6	23	24.1	15.4
25	43.5	22.8	25	25.7	15.4

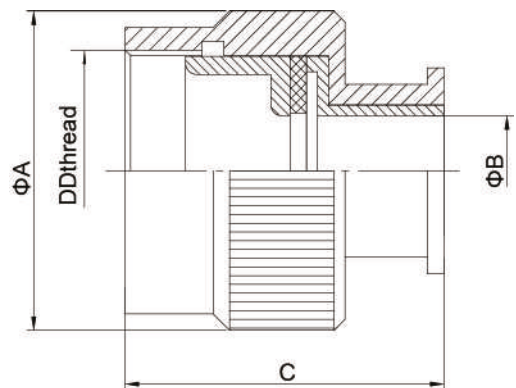
DC85049/ C -11 N -A  
 ① ② ③ ④ ⑤

- ① Serial No. : DC85049/
- ② Terminal Shell Accessory Type : C – special shielding accessory (for crimping products)
- ③ Shell No. : 09 11 13 15 17 19 21 23 25
- ④ Finish : N – nickel plating  
 W – olive drab cadmium plating  
 S – stainless steel passivation  
 TT – titanium alloy electroless
- ⑤ Remodel : -A – adapter sleeve and wire solder remodel

Stereogram



Outline Dimension



D C 8 5 0 4 9 / C -



Shell No.	$\phi$ A max		$\phi$ B max	C $\pm$ 0.2
09	19.1	09	6.73	29.0
11	21.6	11	8.71	29.0
13	25.4	13	11.10	29.0
15	29.1	15	14.27	29.0

# Quanwei

## MIL-DTL-38999 III Series Connector

Shell No.	$\phi$ A max		$\phi$ B max	C $\pm$ 0.2
17	32.1	17	17.45	29.0
19	35.6	19	20.62	29.0
21	38.1	21	23.08	29.0
23	41.9	23	26.57	29.0
25	44.5	25	28.58	29.0

DC85049/ ①    A ②    -17 ③    N ④    10 ⑤

① Serial No. : DC85049/

② Terminal Shell Accessory Type : A

③ Shell No. : 09 11 13 15 17 19 21 23 25

④ Finish : N – nickel plating

W – olive drab cadmium plating

S – stainless steel passivation

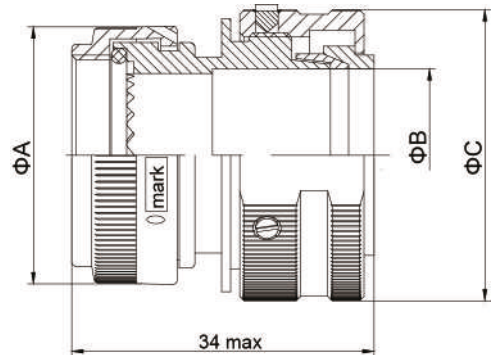
TT – titanium alloy electroless

⑤ Outlet : see below table

Stereogram



Outline Dimension



Shell No.	A max	Outlet Specification	B max	C max
09	19.0	6	6.3	19.3
09	19.0	10	9.5	22.5
11	22.0	6	6.3	19.3
11	22.0	13	12.7	25.7
13	25.0	6	6.3	19.3
13	25.0	16	16	29.0
15	29.0	8	7.9	20.9
15	29.0	19	19	32.0
17	32.0	8	7.9	19.3
17	32.0	22	22.2	35.2
19	35.0	13	12.7	25.7
19	35.0	25	25.4	38.4
21	38.0	13	12.7	25.7
21	38.0	29	28.5	41.0
23	41.0	16	16	29
23	41.0	32	31.8	44
25	44.0	19	19	32
25	44.0	35	35	47

# Quanwei

## MIL-DTL-38999 III Series Connector

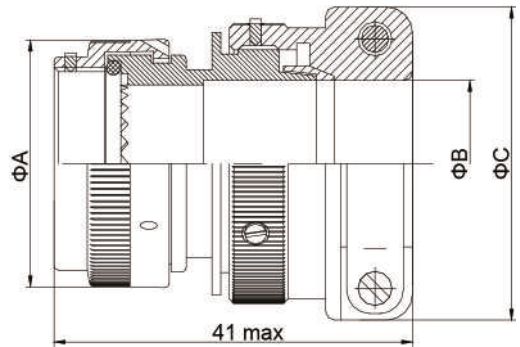
DC85049/ A -17 N 10 -A  
 ① ② ③ ④ ⑤ ⑥

- ① Serial No. : DC85049/
- ② Terminal Shell Accessory Type : A
- ③ Shell No. : 09 11 13 15 17 19 21 23 25
- ④ Finish : N – nickel plating  
 W – olive drab cadmium plating  
 S – stainless steel passivation  
 TT – titanium alloy electroless
- ⑤ Outlet : see below table
- ⑥ Remodel : terminal add wire clamp

Stereogram



Outline Dimension



Shell No.	A max	Wire Specification	B max	C max
09	19.0	6	6.3	26.3
09	19.0	10	9.5	29.5
11	22.0	6	6.3	26.3
11	22.0	13	12.7	32.7
13	25.0	6	6.3	26.3
13	25.0	16	16	36
15	29.0	8	7.9	27.9
15	29.0	19	19	39
17	32.0	8	7.9	27.9
17	32.0	22	22.2	42.2
19	35.0	13	12.7	32.7
19	35.0	25	25.4	45.4
21	38.0	13	12.7	32.7
21	38.0	29	28.5	48.5
23	41.0	16	16.0	36.0
23	41.0	32	31.8	51.8
25	44.0	19	19	39
25	44.0	35	35	55

# Quanwei

## MIL-DTL-38999 III Series Connector

DC85049/	<u>D</u>	<u>90</u>	<u>-17</u>	<u>N</u>	<u>A</u>	<u>04</u>
①	②	③	④	⑤	⑥	⑦

- ① Serial No. : DC85049/
- ② Terminal Shell Accessory Type : D
- ③ Structure Type : 00 – straight terminal accessory; 90 – 90° bending accessory
- ④ Shell Specification : 09 11 13 15 17 19 21 23 25
- ⑤ Finish : N – nickel plating  
 W – olive drab cadmium plating  
 S – stainless steel passivation  
 TT – titanium alloy electroless
- ⑥ Titanium & Nickel Ring : 0 – No memory ring; A – Equipped Titanium & nickel ring
- ⑦ Outlet Diameter or Specification of Titanium & Nickel Ring : Remark the outlet diameter when no titanium & nickel ring  
 Remark the spec of Titanium & nickel ring when with equipped Titanium & nickel ring

Stereogram

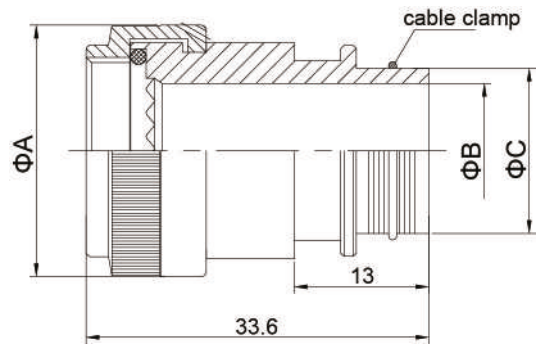


Straight Terminal Accessory

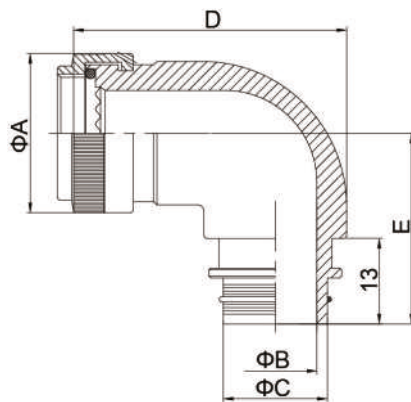


Bent Terminal Accessory

Outline Dimension



Straight Terminal Accessory



Bent Terminal Accessory

# Quanwei

## MIL-DTL-38999 III Series Connector

Shell No.	Specification of Titanium & Nickel Ring	Shielding Net Specification	A	D	E	Outlet Diameter		C	
						straight	bent	straight	bent
09	TR-04	6 × 10 ( 0.15 )	19	38.2	26	6.3	6.3	14	14
	TR-05	10 × 16 ( 0.2 )	19	38.2	26	7.9	7.9	15.5	15.5
	TR-06	10 × 16 ( 0.2 )	19	38.2	26	9.5	–	17.1	–
11	TR-04	6 × 10 ( 0.15 )	22	40	26	6.3	6.3	14	14
	TR-05	10 × 16 ( 0.2 )	22	40	26	7.9	7.9	15.5	15.5
	TR-06	10 × 16 ( 0.2 )	22	40	26	9.5	9.5	17.1	17.1
	TR-07	10 × 16 ( 0.2 )	22	40	26	11.1	11.1	18.7	18
	TR-08	16 × 24 ( 0.3 )	22	40	26	12.7	–	20.3	–
13	TR-04	6 × 10 ( 0.15 )	25.1	45.2	29	6.3	6.3	14	14
	TR-05	10 × 16 ( 0.2 )	25.1	45.2	29	7.9	7.9	15.5	15.5
	TR-06	10 × 16 ( 0.2 )	25.1	45.2	29	9.5	9.5	17.1	17.1
	TR-07	10 × 16 ( 0.2 )	25.1	45.2	29	11.1	11.1	18.7	18.7
	TR-08	16 × 24 ( 0.3 )	25.1	45.2	29	12.7	12.7	20.3	20.3
	TR-10	16 × 24 ( 0.3 )	25.1	45.2	29	16	16	23.5	23
15	TR-05	10 × 16 ( 0.2 )	29	47	29	7.9	–	15.5	–
	TR-06	10 × 16 ( 0.2 )	29	47	29	9.5	9.5	17.1	17.1
	TR-07	10 × 16 ( 0.2 )	29	47	29	11.1	11.1	18.7	18
	TR-08	16 × 24 ( 0.3 )	29	47	29	12.7	12.7	20.3	20.3
	TR-10	16 × 24 ( 0.3 )	29	47	29	16	16	23.5	23
	TR-12	16 × 24 ( 0.3 )	29	47	29	19	19	26.7	25.5
17	TR-05	10 × 16 ( 0.2 )	32	50.5	33	7.9	–	15.5	–
	TR-06	10 × 16 ( 0.2 )	32	50.5	33	9.5	–	17.1	–
	TR-07	10 × 16 ( 0.2 )	32	50.5	33	11.1	11.1	18.7	18
	TR-08	16 × 24 ( 0.3 )	32	50.5	33	12.7	12.7	20.3	20.3
	TR-10	16 × 24 ( 0.3 )	32	50.5	33	16	16	23.5	23.5
	TR-12	16 × 24 ( 0.3 )	32	50.5	33	19	19	26.7	26.7
	TR-14	24 × 30 ( 0.3 )	32	50.5	33	22.2	–	30	–
19	TR-08	16 × 24 ( 0.3 )	35	53.5	33	12.7	12.7	20.3	20.3
	TR-10	16 × 24 ( 0.3 )	35	53.5	33	16	16	23.5	23.5
	TR-12	16 × 24 ( 0.3 )	35	53.5	33	19	19	26.7	26.7
	TR-14	24 × 30 ( 0.3 )	35	53.5	33	22.2	22.2	30	30
	TR-16	24 × 30 ( 0.3 )	35	53.5	33	25.4	25.4	33	33
21	TR-08	16 × 24 ( 0.3 )	38	55.5	39	12.7	12.7	20.3	20.3
	TR-10	16 × 24 ( 0.3 )	38	55.5	39	16	16	23.5	23.5
	TR-12	16 × 24 ( 0.3 )	38	55.5	39	19	19	26.7	26.7
	TR-14	24 × 30 ( 0.3 )	38	55.5	39	22.2	22.2	30	30
	TR-16	24 × 30 ( 0.3 )	38	55.5	39	25.4	25.4	33	33
	TR-18	30 × 40 ( 0.3 )	38	55.5	39	28.5	–	36.2	–
23	TR-10	16 × 24 ( 0.3 )	41	58	39	16	16	23.5	23.5
	TR-12	16 × 24 ( 0.3 )	41	58	39	19	19	26.7	26.7
	TR-14	24 × 30 ( 0.3 )	41	58	39	22.2	22.2	30	30
	TR-16	24 × 30 ( 0.3 )	41	58	39	25.4	25.4	33	33
	TR-18	30 × 40 ( 0.3 )	41	58	39	28.5	28.5	36.2	36.2
	TR-20	30 × 40 ( 0.3 )	41	58	39	31.8	–	39.4	–
25	TR-10	16 × 24 ( 0.3 )	44	64	44	–	16	–	23.5
	TR-12	16 × 24 ( 0.3 )	44	64	44	19	19	26.7	26.7
	TR-14	24 × 30 ( 0.3 )	44	64	44	22.2	22.2	30	30
	TR-16	24 × 30 ( 0.3 )	44	64	44	25.4	25.4	33	33
	TR-18	30 × 40 ( 0.3 )	44	64	44	28.5	28.5	36.2	36.2
	TR-20	30 × 40 ( 0.3 )	44	64	44	31.8	31.8	39.4	39.4
TR-22	30 × 40 ( 0.3 )	44	64	44	35	35	42.5	42	

# Quanwei

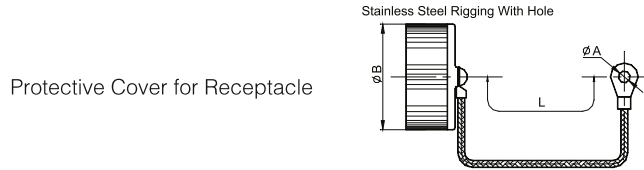
## MIL-DTL-38999 III Series Connector

### Protective Cover

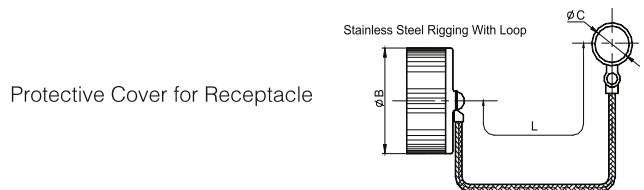
DC38999/ 33      W      09      R  
 ①      ②      ③      ④      ⑤

- ① Serial Code : DC38999/
- ② Cover Style : 33 – use for receptacle; 32 – use for plug
- ③ Finish: F – Nickel plating  
 W – olive drab cadmium plating  
 K – stainless steel passivation  
 TT – titanium alloy electroless
- ④ Shell No. : 09    11    13    15    17    19    21    23    25
- ⑤ Protective Cover Type : R – Stainless Steel Rigging with hole;  
 N – Stainless Steel Rigging with loop;

#### Outline Dimension



Shell No.	Part No.	A min	B max	L
09	DC38999/33W09R	3.90	22.86	127.00
11	DC38999/33W11R	3.90	27.96	127.00
13	DC38999/33W13R	3.90	30.48	127.00
15	DC38999/33W15R	3.90	31.75	127.00
17	DC38999/33W17R	3.90	36.83	127.00
19	DC38999/33W19R	3.90	38.10	127.00
21	DC38999/33W21R	3.90	41.91	127.00
23	DC38999/33W23R	3.90	44.45	127.00
25	DC38999/33W25R	3.90	48.26	127.00



Shell No.	Part No.	C min	B max	L
09	DC38999/33W09N	12.93	22.86	127.00
11	DC38999/33W11N	17.78	27.96	127.00
13	DC38999/33W13N	19.27	30.48	127.00
15	DC38999/33W15N	22.60	31.75	127.00
17	DC38999/33W17N	25.62	36.83	127.00
19	DC38999/33W19N	36.27	38.10	127.00
21	DC38999/33W21N	31.97	41.91	127.00
23	DC38999/33W23N	42.62	44.45	127.00
25	DC38999/33W25N	44.45	48.26	127.00

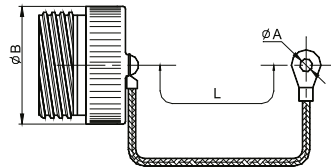
# Quanwei

## MIL-DTL-38999 III Series Connector

### Outline Dimension

Protective Cover for Plug

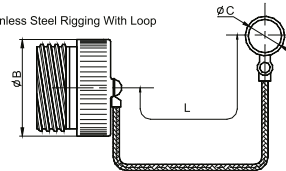
Stainless Steel Rigging With Hole



Shell No.	Part No.	A min	B max	L
09	DC38999/32W09R	3.90	22.86	127.00
11	DC38999/32W11R	3.90	27.96	127.00
13	DC38999/32W13R	3.90	30.48	127.00
15	DC38999/32W15R	3.90	31.75	127.00
17	DC38999/32W17R	3.90	36.83	127.00
19	DC38999/32W19R	3.90	38.10	127.00
21	DC38999/32W21R	3.90	41.91	127.00
23	DC38999/32W23R	3.90	44.45	127.00
25	DC38999/32W25R	3.90	48.26	127.00

Protective Cover for Plug

Stainless Steel Rigging With Loop



Shell No.	Part No.	C min	B max	L
09	DC38999/32W09N	12.93	22.86	127.00
11	DC38999/32W11N	17.78	27.96	127.00
13	DC38999/32W13N	19.27	30.48	127.00
15	DC38999/32W15N	22.60	31.75	127.00
17	DC38999/32W17N	25.62	36.83	127.00
19	DC38999/32W19N	28.95	38.10	127.00
21	DC38999/32W21N	31.97	41.91	127.00
23	DC38999/32W23N	34.03	44.45	127.00
25	DC38999/32W25N	38.32	48.26	127.00



# Quanwei

MIL-DTL-38999 III Series Connector

## Contact Arrangement

(pin on insulation plate end view/ the reverse of socket on insulation plate .)

Series I Shell No.	Series III Shell No.	Series II Shell No.	Series I Contact No.	Series I Contact Diagram	Series I Condition	Series II Contact No.	Series II Contact Diagram	Series II Condition	Legend
09	09A	08	35 6#22D		Condition M	98 3#20		Condition I	
11	11B	10	35 13#22D		Condition M	01 1#12		Condition II	
			05 5#20		Condition I	98 6#20		Condition I	
			08b 8#22D		Condition M				
13	13C	12	35 22#22D		Condition M	98 10#20		Condition I	
			26 2#12 6#22D		Condition M	03 3#16		Condition I	
15	15D	14	35 37#22D		Condition M	05 5#16		Condition II	
			19 19#20		Condition I	97 4#16 8#20		Condition I	
17	17E	16	35 55#22d		Condition M	26 26#20		Condition I	
			99 2#16 21#20			75 2#8 三同轴		Condition I	
			20a 2#8 2#20 16#22D		Condition N				

Note 1: They are all standard spectrum on this article

Note 2: we can design the spectrum with contacts #4, #6, and #8 according to customer requirement.

Note 3: It can use in series II & Aerospace level glass-sinter connector when arrangement with #8 contacts.

Note 4: instructions: M-1300V, N-1000V, II-2300V

Note 5: The default terminal methods is crimp-fit on #8 point when the connector model with contact type PH, SH.

# Quanwei

## MIL-DTL-38999 III Series Connector

Series I Shell No.	Series III Shell No.	Series II Shell No.								
19	19 F	18	35		11		18		28	
			30		32		45		14	
			96							
21	21 G	20	35		11		16		24	
			25		27		39		41	
			75		29		02		04	
			05							
23	23 H	22	35		21		32		34	

Note 1: They are all standard spectrum on this article

Note 2: We can design the spectrum with contacts #4, #6, and #8 according to customer requirement.

Note 3: It can't use in series II & Aerospace level glass-sinter connector when arrangement with #8 contacts.

Note 4: Instructions : M-1300V, N-1000V, II-2300V

Note 5: The default terminal methods is crimp-fit on #8 point when the connector model with contact type PH, SH.

# Quanwei

## MIL-DTL-38999 III Series Connector

Series I Shell No.	Series II Shell No.	Series III Shell No.	Diagram	Condition	Diagram	Condition	Diagram	Condition							
23	23 H	22		Condition I		Condition I		Condition I							
			36#20	53#20	55#20	97#16	Condition I								
25	25 J	24		Condition II		Condition N									
			11#16	4#8	35#22D	35	Condition M		Condition I		Condition I		Condition M		
			128#22D	61#20	46#20	20	Condition N		Condition I		Condition I		Condition I		
			3#8	29#16	19#12	3#8	4#12	13#16	10#20	8#16	4#16	40#20	8#16	110#22D	
			10#20	8#16	48#20	04	Condition I		Condition I		Condition I		Condition M		
			04	8#8	20#16	24	Condition I		Condition M		Condition M	6#12	11#16	33#22D	
			8#16	48#20	20#16	11	9#10	2#20	22#12	10#16	15#20	44#22D	6#12	11#16	33#22D
			4#12	13#16	10#20	04	8#16	48#20	20#16	24	12#12	12#16	6#12	11#16	33#22D
			10#20	8#16	48#20	04	8#8	20#16	23#20	24	12#12	12#16	6#12	11#16	33#22D
			8#16	48#20	20#16	24	11	9#10	2#20	24	12#12	12#16	6#12	11#16	33#22D
			10#20	8#16	48#20	04	8#8	20#16	23#20	24	12#12	12#16	6#12	11#16	33#22D
			8#16	48#20	20#16	24	11	9#10	2#20	24	12#12	12#16	6#12	11#16	33#22D

Note 1: They are all standard spectrum on this article

Note 2: We can design the spectrum with contacts #4, #6, and #8 according to customer requirement.

Note 3: It can use in series II & Aerospace level glass-sinter connector when arrangement with #8 contacts.

Note 4: Instructions : M-1300V, N-1000V, II-2300V

Note 5: The default terminal methods is crimp-fit on #8 point when the connector model with contact type PH, SH.

# Quanwei

MIL-DTL-38999 III Series Connector

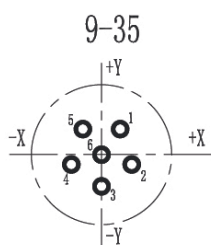
## Contact Arrangement on PCB

(relevant shell No change to 08,10,12.....that is series II PCB contact arrangement

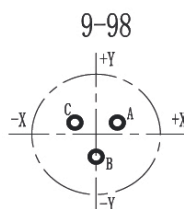
hole diameter on PCB, #22D contact min diameter is 0.99mm, #20contacts min diameter is 1mm, #16 contact min diameter is

1.3mm. (just for reference) contacts identification sign–front view for pin insulation board

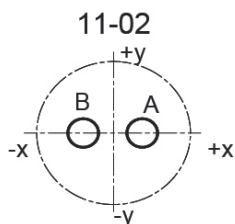
Coordinate Units:mm



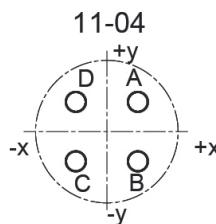
Contact	Coordinate	
	X	Y
1	+1.14	+1.98
2	+1.98	-1.14
3	0.00	-2.29
4	-1.98	-1.14
5	-1.14	+1.98
6	0.00	0.00



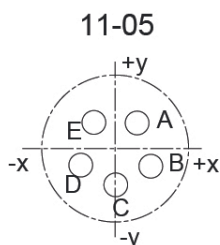
Contact	Coordinate	
	X	Y
A	+1.65	+0.97
B	0.00	-1.91
C	-1.65	+0.97



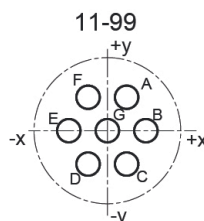
Contact	Coordinate	
	X	Y
A	+2.41	0.00
B	-2.41	0.00



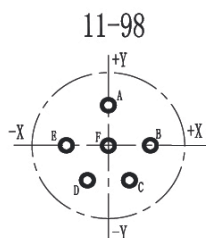
Contact	Coordinate	
	X	Y
A	+1.65	+1.65
B	+1.65	-1.65
C	-1.65	-1.65
D	-1.65	+1.65



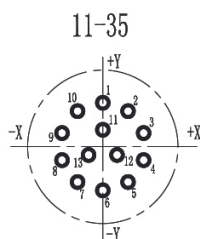
Contact	Coordinate	
	X	Y
A	+1.65	+1.42
B	+2.87	-1.65
C	0.00	-3.30
D	-2.87	-1.65
E	-1.65	+1.42



Contact	Coordinate	
	X	Y
A	+1.65	+2.87
B	+3.30	0.00
C	+1.65	-2.87
D	-1.65	-2.87
E	-3.30	0.00
F	-1.65	+2.87
G	0.00	0.00



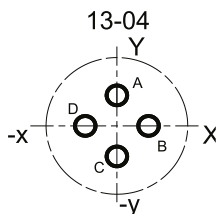
Contact	Coordinate	
	X	Y
A	0.00	+3.30
B	+3.30	0.00
C	+1.65	-2.87
D	-1.65	-2.87
E	-3.30	0.00
F	0.00	0.00



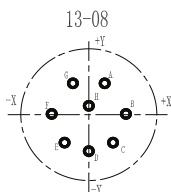
Contact	Coordinate	
	X	Y
1	0.00	+3.71
2	+2.16	+3.00
3	+3.51	+1.14
4	+3.51	-1.14
5	+2.16	-3.00
6	0.00	-3.71
7	-2.16	-3.00
8	-3.51	-1.14
9	-3.51	+1.14
10	-2.16	+3.00
11	0.00	+1.42
12	+1.24	-0.90
13	-1.24	-0.90

# Quanwei

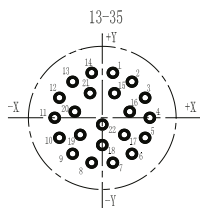
MIL-DTL-38999 III Series Connector



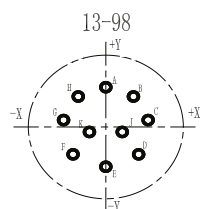
Contact	Coordinate	
	X	Y
A	0.00	+3.81
B	+3.71	+0.90
C	0.00	-2.11
D	-3.71	+0.90



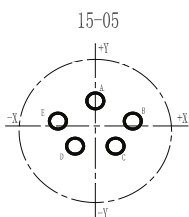
Contact	Coordinate		Contact	Coordinate	
	X	Y		X	Y
A	+1.65	+3.99	E	-3.05	-3.05
B	+4.32	0.00	F	-4.32	0.00
C	+3.05	-3.05	G	-1.65	+3.99
D	0.00	-4.32	H	0.00	+1.12



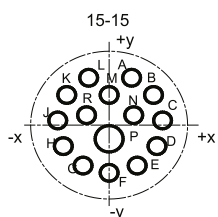
Contact	Coordinate		Contact	Coordinate		Contact	Coordinate	
	X	Y		X	Y		X	Y
1	+1.14	+5.00	9	-3.20	-4.01	17	+2.36	-1.91
2	+3.20	+4.01	10	-4.62	-2.24	18	0.00	-3.05
3	+4.62	+2.24	11	-5.16	0.00	19	-2.36	-1.91
4	+5.16	0.00	12	-4.62	+2.24	20	-2.97	+0.66
5	+4.62	-2.24	13	-3.20	+4.01	21	-1.14	+2.72
6	+3.20	-4.01	14	-1.14	+5.00	22	0.00	-0.76
7	+1.14	-5.00	15	+1.14	+2.72			
8	-1.14	-5.00	16	+2.97	+0.66			



Contact	Coordinate		Contact	Coordinate	
	X	Y		X	Y
A	0.00	+4.95	F	-4.17	-2.67
B	+3.18	+3.81	G	-4.90	+0.76
C	+4.90	+0.76	H	-3.18	+3.81
D	+4.17	-2.67	J	+1.65	-0.38
E	0.00	-3.43	K	-1.65	-0.38



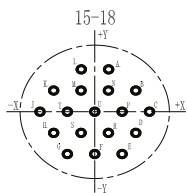
Contact	Coordinate	
	X	Y
A	0.00	+2.54
B	+4.42	+0.61
C	+2.39	-3.76
D	-2.39	-3.76
E	-4.42	+0.61



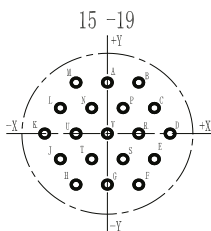
Contact	Coordinate		Contact	Coordinate	
	X	Y		X	Y
A	+2.54	+5.72	J	-6.20	+0.36
B	+5.13	+3.56	K	-5.13	+3.56
C	+6.20	+0.36	L	-2.54	+5.72
D	+5.54	-2.87	M	0.00	+3.56
E	+3.20	-5.31	N	+2.79	+1.02
F	0.00	-6.22	P	0.00	-1.96
G	-3.20	-5.31	R	-2.79	+1.02
H	-5.54	-2.87			

# Quanwei

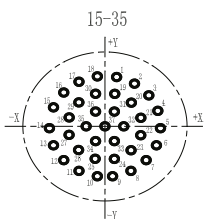
## MIL-DTL-38999 III Series Connector



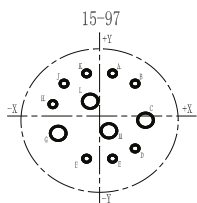
Contact	Coordinate		Contact	Coordinate		Contact	Coordinate	
	X	Y		X	Y		X	Y
A	+1.65	+6.40	H	-4.95	-2.87	R	+1.65	-2.87
B	+4.95	+2.87	J	-6.60	0.00	S	-1.65	-2.87
C	+6.60	0.00	K	-4.95	+2.87	T	-3.30	0.00
D	+4.95	-2.87	L	-1.65	+6.40	U	0.00	0.00
E	+3.30	-5.72	M	-1.65	+2.87			
F	0.00	-5.72	N	+1.65	+2.87			
G	-3.30	-5.72	P	+3.30	0.00			



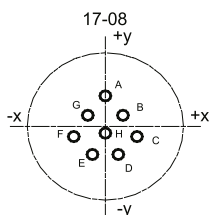
Contact	Coordinate		Contact	Coordinate		Contact	Coordinate	
	X	Y		X	Y		X	Y
A	0.00	+5.72	H	-3.30	-5.72	R	+3.30	0.00
B	+3.30	+5.72	J	-4.95	-2.87	S	+1.65	-2.87
C	+4.95	+2.87	K	-6.60	0.00	T	-1.65	-2.87
D	+6.60	0.00	L	-4.95	+2.87	U	-3.30	0.00
E	+4.95	-2.87	M	-3.30	+5.72	V	0.00	0.00
F	+3.30	-5.72	N	-1.65	+2.87			
G	0.00	-5.72	P	+1.65	+2.87			



Contact	Coordinate		Contact	Coordinate		Contact	Coordinate	
	X	Y		X	Y		X	Y
1	+1.14	+6.65	14	-6.76	-0.25	27	-4.32	-1.27
2	+3.12	+5.51	15	-6.45	+2.03	28	-4.32	+1.02
3	+5.36	+4.06	16	-5.36	+4.06	29	-3.12	+3.02
4	+6.45	+2.03	17	-3.12	+5.51	30	-1.14	+4.37
5	+6.76	-0.25	18	-1.14	+6.65	31	+1.14	+1.88
6	+6.27	-2.49	19	+1.14	+4.37	32	+2.29	-0.10
7	+5.08	-4.45	20	+3.12	+3.02	33	+1.14	-2.08
8	+3.30	-5.90	21	+4.32	+1.02	34	-1.14	-2.08
9	+1.14	-6.65	22	+4.32	-1.27	35	-2.29	-0.10
10	-1.14	-6.65	23	+3.12	-3.23	36	-1.14	+1.88
11	-3.30	-5.90	24	+1.14	-4.37	37	0.00	-0.10
12	-5.08	-4.45	25	-1.14	-4.37			
13	-6.27	-2.49	26	-3.12	-3.23			



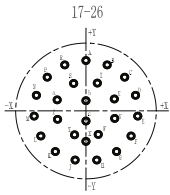
Contact	Coordinate		Contact	Coordinate	
	X	Y		X	Y
A	+1.65	+5.94	G	-5.26	-2.41
B	+4.52	+4.52	H	-5.94	+1.65
C	+5.84	-0.58	J	-4.52	+4.52
D	+4.52	-4.52	K	-1.65	+5.94
E	+1.65	-5.94	L	-1.19	+2.06
F	-2.26	-5.97	M	+1.19	-2.06



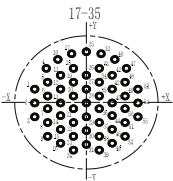
Contact	Coordinate	
	X	Y
A	0.00	+5.99
B	+3.25	+2.18
C	+5.84	-1.98
D	+2.39	-5.49
E	-2.39	-5.49
F	-5.84	-1.98
G	-3.25	+2.18
H	0.00	-1.32

# Quanwei

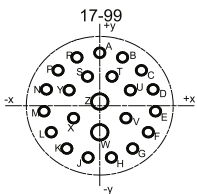
MIL-DTL-38999 III Series Connector



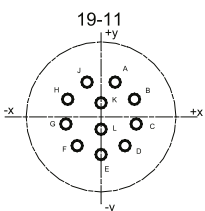
Contact	Coordinate		Contact	Coordinate		Contact	Coordinate	
	X	Y		X	Y		X	Y
A	0.00	+8.15	K	-4.80	-6.60	V	+4.53	-0.91
B	+3.33	+7.44	L	-7.06	-4.09	W	+3.02	-3.84
C	+6.07	+5.44	M	-8.10	-0.86	X	0.00	-5.16
D	+7.75	+2.51	N	-7.75	+2.51	Y	-3.02	-3.84
E	+8.10	-0.86	P	-6.07	+5.44	Z	-4.53	-0.91
F	+7.06	-4.09	R	-3.33	+7.44	a	-4.45	+2.39
G	+4.80	-6.60	S	-1.78	+4.50	b	0.00	+1.65
H	+1.70	-7.98	T	+1.78	+4.50	c	0.00	-1.65
J	-1.70	-7.98	U	+4.45	+2.39			



Contact	Coordinate		Contact	Coordinate		Contact	Coordinate	
	X	Y		X	Y		X	Y
1	-7.92	+2.18	20	-1.98	+1.04	39	+1.98	-8.10
2	-7.92	-0.10	21	-1.98	-1.24	40	+4.37	+7.09
3	-7.92	-2.39	22	-1.98	-3.53	41	+3.96	+4.47
4	-6.15	+5.61	23	-1.98	-5.82	42	+3.96	+2.18
5	-5.94	+3.33	24	-1.98	-8.10	43	+3.96	-0.10
6	-5.94	+1.04	25	0.00	+8.36	44	+3.96	-2.39
7	-5.94	-1.24	26	0.00	+4.47	45	+3.96	-4.67
8	-5.94	-3.53	27	0.00	+2.18	46	+3.96	-6.96
9	-5.94	-5.82	28	0.00	-0.10	47	+6.15	+5.61
10	-4.37	+7.09	29	0.00	-2.39	48	+5.94	+3.33
11	-3.96	+4.47	30	0.00	-4.67	49	+5.94	+1.04
12	-3.96	+2.18	31	0.00	-6.96	50	+5.94	-1.24
13	-3.96	-0.10	32	+2.26	+8.03	51	+5.94	-3.53
14	-3.96	-2.39	33	+1.98	+5.61	52	+5.94	-5.82
15	-3.96	-4.67	34	+1.98	+3.33	53	+7.92	+2.18
16	-3.96	-6.96	35	+1.98	+1.04	54	+7.92	-0.10
17	-2.26	+8.03	36	+1.98	-1.24	55	+7.92	-2.39
18	-1.98	+5.61	37	+1.98	-3.53			
19	-1.98	+3.33	38	+1.98	-5.82			



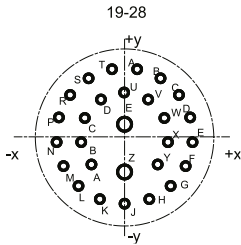
Contact	Coordinate		Contact	Coordinate		Contact	Coordinate	
	X	Y		X	Y		X	Y
A	0.00	+8.15	J	-1.70	-7.98	T	+1.78	+4.50
B	+3.33	+7.44	K	-4.80	-6.60	U	+4.45	+2.39
C	+6.07	+5.44	L	-7.06	-4.09	V	+3.81	-1.91
D	+7.75	+2.51	M	-8.10	-0.86	W	0.00	-4.09
E	+8.10	-0.86	N	-7.75	+2.51	X	-3.81	-1.91
F	+7.06	-4.09	P	-6.07	+5.44	Y	-4.45	+2.39
G	+4.80	-6.60	R	-3.33	+7.44	Z	0.00	+0.64
H	+1.70	-7.98	S	-1.78	+4.50			



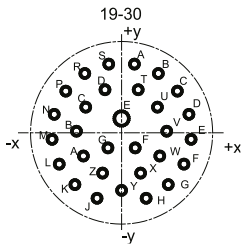
Contact	Coordinate		Contact	Coordinate	
A	+2.67	+6.60	G	-6.99	-1.35
B	+6.35	+3.35	H	-6.35	+3.35
C	+6.99	-1.35	J	-2.67	+6.60
D	+4.55	-5.46	K	0.00	+2.67
E	0.00	-7.14	L	0.00	-2.34
F	-4.55	-5.46			

# Quanwei

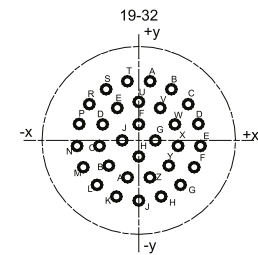
## MIL-DTL-38999 III Series Connector



Contact	Coordinate		Contact	Coordinate		Contact	Coordinate	
	X	Y		X	Y		X	Y
A	+1.68	+8.97	L	-6.15	-6.73	X	+5.79	-0.84
B	+4.80	+7.75	M	-8.15	-4.06	Y	+4.42	-3.84
C	+7.26	+5.51	N	-9.07	-0.84	Z	0.00	-4.85
D	+8.76	+2.49	P	-8.76	+2.41	a	-4.42	-3.84
E	+9.07	-0.84	R	-7.26	+5.51	b	-5.79	-0.84
F	+8.15	-4.06	S	-4.80	+7.75	c	-5.31	+2.41
G	+6.15	-6.73	T	-1.68	+8.97	d	-3.15	+4.90
H	+3.30	-8.51	U	0.00	+5.84	e	0.00	+1.57
J	0.00	-9.12	V	+3.15	+4.90			
K	-3.30	-8.51	W	+5.31	+2.41			



Contact	Coordinate		Contact	Coordinate		Contact	Coordinate	
	X	Y		X	Y		X	Y
A	+1.65	+8.79	L	-8.00	-4.01	X	+2.44	-5.16
B	+4.72	+7.59	M	-8.92	-0.84	Y	0.00	-7.37
C	+7.16	+5.33	N	-8.64	+2.36	Z	-2.44	-5.16
D	+8.64	+2.36	P	-7.16	+5.33	a	-4.90	-2.97
E	+8.92	-0.84	R	-4.72	+7.59	b	-5.79	+0.20
F	+8.00	-4.01	S	-1.65	+8.79	c	-4.60	+3.28
G	+5.99	-6.63	T	+2.13	+5.51	d	-2.13	+5.51
H	+3.15	-8.38	U	+4.60	+3.28	e	0.00	+1.83
J	-3.15	-8.38	V	+5.79	+0.20	f	+1.75	-1.93
K	-5.99	-6.63	W	+4.90	-2.97	g	-1.75	-1.93

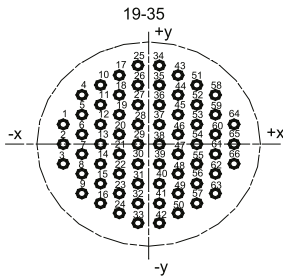


Contact	Coordinate		Contact	Coordinate		Contact	Coordinate	
	X	Y		X	Y		X	Y
A	+1.68	+8.97	M	-8.15	-4.06	Z	+1.65	-5.61
B	+4.80	+7.75	N	-9.07	-0.84	a	-1.65	-5.61
C	+7.26	+5.51	P	-8.76	+2.49	b	-4.42	-3.84
D	+8.76	+2.49	R	-7.26	+5.51	c	-5.79	-0.84
E	+9.07	-0.84	S	-4.80	+7.75	d	-5.31	+2.41
F	+8.15	-4.06	T	-1.68	+8.97	e	-3.15	+4.90
G	+6.15	-6.73	U	0.00	+5.84	f	0.00	+2.44
H	+3.30	-8.51	V	+3.15	+4.90	g	+2.44	0.00
J	0.00	-9.12	W	+5.31	+2.41	h	0.00	-2.44
K	-3.30	-8.51	X	+5.79	-0.80	j	-2.44	0.00
L	-6.15	-6.73	Y	+4.42	-3.84			

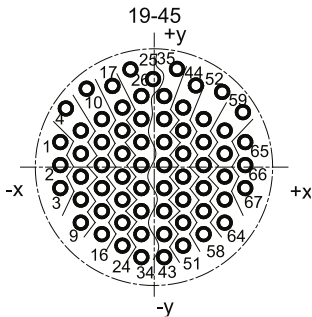


# Quanwei

## MIL-DTL-38999 III Series Connector



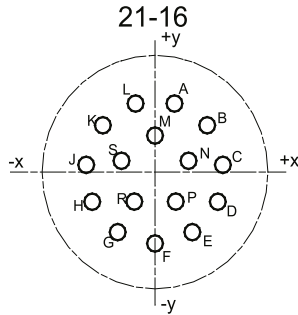
Contact	Coordinate		Contact	Coordinate		Contact	Coordinate	
	X	Y		X	Y		X	Y
1	-9.07	+2.29	23	-3.12	-5.72	45	+3.12	+3.43
2	-9.07	0.00	24	-3.12	-8.00	46	+3.12	+1.14
3	-9.07	-2.29	25	-1.14	+9.14	47	+3.12	-1.14
4	-7.09	+5.72	26	-1.14	+6.86	48	+3.12	-3.43
5	-7.09	+3.43	27	-1.14	+4.57	49	+3.12	-5.72
6	-7.09	+1.14	28	-1.14	+2.29	50	+3.12	-8.00
7	-7.09	-1.14	29	-1.14	0.00	51	+5.11	+6.86
8	-7.09	-3.43	30	-1.14	-2.29	52	+5.11	+4.57
9	-7.09	-5.72	31	-1.14	-4.57	53	+5.11	+2.29
10	-5.11	+6.86	32	-1.14	-6.86	54	+5.11	0.00
11	-5.11	+4.57	33	-1.14	-9.14	55	+5.11	-2.29
12	-5.11	+2.29	34	+1.14	+9.14	56	+5.11	-4.57
13	-5.11	0.00	35	+1.14	+6.86	57	+5.11	-6.86
14	-5.11	-2.29	36	+1.14	+4.57	58	+7.09	+5.72
15	-5.11	-4.57	37	+1.14	+2.29	59	+7.09	+3.43
16	-5.11	-6.86	38	+1.14	0.00	60	+7.09	+1.14
17	-3.12	+8.00	39	+1.14	-2.29	61	+7.09	-1.14
18	-3.12	+5.72	40	+1.14	-4.57	62	+7.09	-3.43
19	-3.12	+3.43	41	+1.14	-6.86	63	+7.09	-5.72
20	-3.12	+1.14	42	+1.14	-9.14	64	+9.07	+2.29
21	-3.12	-1.14	43	+3.12	+8.00	65	+9.07	0.00
22	-3.12	-3.43	44	+3.12	+5.72	66	+9.07	-2.29



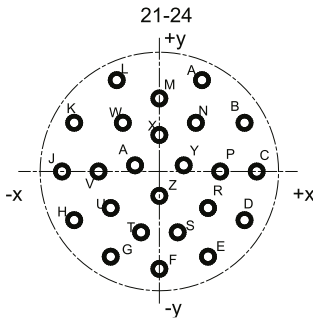
Contact	Coordinate		Contact	Coordinate		Contact	Coordinate	
	X	Y		X	Y		X	Y
1	-9.07	+2.06	24	-3.12	-8.23	47	+3.12	+0.91
2	-9.07	-0.23	25	-2.24	+9.14	48	-3.12	-1.37
3	-9.07	-2.51	26	0.00	+8.61	49	+3.12	-3.66
4	-7.72	+5.41	27	-1.14	+6.63	50	+3.12	-5.94
5	-7.09	+3.20	28	-1.14	+4.34	51	+3.12	-8.23
6	-7.09	+0.91	29	-1.14	+2.06	52	+6.20	+7.11
7	-7.09	-1.37	30	-1.14	-0.23	53	+5.11	+4.34
8	-7.09	-3.66	31	-1.14	-2.51	54	+5.11	+2.06
9	-7.09	-5.94	32	-1.14	-4.80	55	+5.11	-0.23
10	-6.20	+7.11	33	-1.14	-7.09	56	+5.11	-2.51
11	-5.11	+4.34	34	-1.14	-9.37	57	+5.11	-4.80
12	-5.11	+2.06	35	+2.24	+9.14	58	+5.11	-7.09
13	-5.11	-0.23	36	+1.14	+6.61	59	+7.72	+5.41
14	-5.11	-2.51	37	+1.14	+4.34	60	+7.09	+3.20
15	-5.11	-4.80	38	+1.14	+2.06	61	+7.09	+0.91
16	-5.11	-7.09	39	+1.14	-0.23	62	+7.09	-1.37
17	-3.96	+7.65	40	+1.14	-2.51	63	+7.09	-3.66
18	-3.12	+5.49	41	+1.14	-4.80	64	+7.09	-5.94
19	-3.12	+3.20	42	+1.14	-7.09	65	+9.07	+2.06
20	-3.12	+0.91	43	+1.14	-9.37	66	+9.07	-0.23
21	-3.12	-1.37	44	+3.96	+7.65	67	+9.07	-2.51
22	-3.12	-3.66	45	+3.12	+5.49			
23	-3.12	-5.94	46	+3.12	+3.20			

# Quanwei

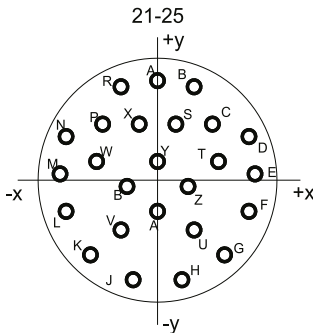
## MIL-DTL-38999 III Series Connector



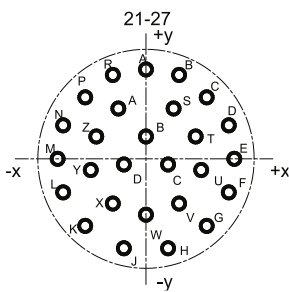
Contact	Coordinate		Contact	Coordinate		Contact	Coordinate	
	X	Y		X	Y		X	Y
A	+3.00	+8.18	G	-4.62	-7.37	N	+3.91	+1.57
B	+6.88	+5.36	H	-7.82	-3.81	P	+2.39	-3.10
C	+8.66	+0.91	J	-8.66	+0.91	R	-2.39	-3.10
D	+7.82	-3.81	K	-6.88	+5.36	S	-3.91	+1.57
E	+4.62	-7.37	L	-3.00	+8.18			
F	0.00	-8.71	M	0.00	+4.45			



Contact	Coordinate		Contact	Coordinate		Contact	Coordinate	
	X	Y		X	Y		X	Y
A	+4.45	+9.53	J	-10.16	0.00	T	-1.91	-6.35
B	+8.90	+5.08	K	-8.90	+5.08	U	-5.08	-3.81
C	+10.16	0.00	L	-4.45	+9.53	V	-6.35	0.00
D	+8.90	-5.08	M	0.00	+7.62	W	-3.81	+5.08
E	+5.08	-8.90	N	+3.81	+5.08	X	0.00	+3.81
F	0.00	-10.16	P	+6.35	0.00	Y	+2.54	+0.64
G	-5.08	-8.90	R	+5.08	-3.81	Z	0.00	-2.54
H	-8.90	-5.08	S	+1.91	-6.35	a	-2.54	+0.64



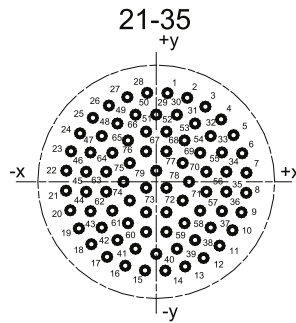
Contact	Coordinate		Contact	Coordinate		Contact	Coordinate	
	X	Y		X	Y		X	Y
A	0.00	+10.16	K	-6.99	-7.62	V	-3.81	-5.08
B	+3.81	+9.53	L	-9.53	-3.18	W	-6.35	+1.91
C	+5.72	+5.72	M	-10.16	+0.64	X	-1.91	+5.72
D	+9.53	+4.45	N	-9.53	+4.45	Y	0.00	+1.91
E	+10.16	+0.64	P	-5.72	+5.72	Z	+3.18	-0.64
F	+9.53	-3.18	R	-3.81	+9.53	a	0.00	-3.18
G	+6.99	-7.62	S	+1.91	+5.72	b	-3.18	-0.64
H	+2.54	-10.16	T	+6.35	+1.91			
J	-2.54	-10.16	U	+3.81	-5.08			



Contact	Coordinate		Contact	Coordinate		Contact	Coordinate	
	X	Y		X	Y		X	Y
A	0.00	+10.16	K	-6.99	-7.62	V	+3.81	-5.08
B	+3.81	+9.53	L	-9.53	-3.81	W	0.00	-6.35
C	+6.99	+6.99	M	-10.16	0.00	X	-3.81	-5.08
D	+9.53	+3.81	N	-9.53	+3.81	Y	-6.35	+3.81
E	+10.16	0.00	P	-6.99	+6.99	Z	-5.72	+2.54
F	+9.53	-3.81	R	-3.81	+9.53	a	-3.18	+5.72
G	+6.99	-7.62	S	+3.18	+5.72	b	0.00	+2.54
H	+2.54	-10.16	T	+5.72	+2.54	c	+2.54	-0.64
J	-2.54	-10.16	U	+6.35	-1.27	d	-2.54	-0.64

# Quanwei

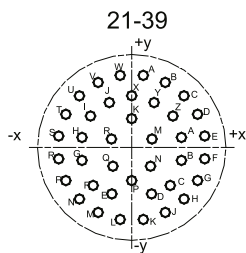
MIL-DTL-38999 III Series Connector



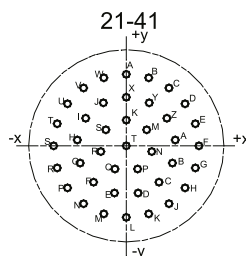
Contact	Coordinate		Contact	Coordinate		Contact	Coordinate		Contact	Coordinate	
	X	Y		X	Y		X	Y		X	Y
1	+1.35	+10.82	21	-10.85	-1.22	41	-2.49	-8.18	61	-3.40	-5.05
2	+3.71	+10.26	22	-10.85	+1.22	42	-4.67	-7.11	62	-5.28	-3.53
3	+5.90	+9.19	23	-10.31	+3.58	43	-6.55	-5.59	63	-6.02	-1.22
4	+7.77	+7.67	24	-9.27	+5.77	44	-7.90	-3.58	64	-6.02	+1.22
5	+9.27	+5.77	25	-7.77	+7.67	45	-8.43	-1.22	65	-5.28	+3.53
6	+10.31	+3.58	26	-5.90	+9.19	46	-8.43	+1.22	66	-3.40	+5.05
7	+10.85	+1.22	27	-3.71	+10.26	47	-7.90	+3.58	67	-1.22	+3.71
8	+10.85	-1.22	28	-1.35	+10.82	48	-6.55	+5.59	68	+1.22	+3.71
9	+10.31	-3.58	29	0.00	+8.20	49	-4.67	+7.11	69	+3.18	+2.29
10	+9.27	-5.77	30	+2.49	+8.18	50	-2.49	+8.18	70	+3.94	0.00
11	+7.77	-7.67	31	+4.67	+7.11	51	-1.22	+6.12	71	+3.18	-2.29
12	+5.90	-9.19	32	+6.55	+5.59	52	+1.22	+6.12	72	+1.22	-3.71
13	+3.71	-10.26	33	+7.90	+3.58	53	+3.40	+5.05	73	-1.22	-3.71
14	+1.35	-10.82	34	+8.43	+1.22	54	+5.28	+3.53	74	-3.18	-2.29
15	-1.35	-10.82	35	+8.43	-1.22	55	+6.02	+1.22	75	-3.94	0.00
16	-3.71	-10.26	36	+7.90	-3.58	56	+6.02	-1.22	76	-3.18	+2.29
17	-5.90	-9.19	37	+6.55	-5.59	57	+5.28	-3.53	77	0.00	+1.35
18	-7.77	-7.67	38	+4.67	-7.11	58	+3.40	-5.05	78	+1.22	-0.74
19	-9.27	-5.77	39	+2.49	-8.18	59	+1.22	-6.12	79	-1.22	-0.74
20	-10.31	-3.58	40	0.00	-8.81	60	-1.22	-6.12			

# Quanwei

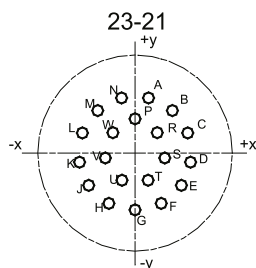
MIL-DTL-38999 III Series Connector



Contact	Coordinate		Contact	Coordinate		Contact	Coordinate	
	X	Y		X	Y		X	Y
A	+1.65	+10.44	P	-9.42	-4.80	d	+2.84	-6.73
B	+4.80	+9.42	R	-10.44	-1.65	e	-2.84	-6.73
C	+7.47	+7.47	S	-10.44	+1.65	f	-5.51	-4.80
D	+9.42	+4.80	T	-9.42	+4.80	g	-7.11	-1.88
E	+10.44	+1.65	U	-7.47	+7.47	h	-7.11	+1.45
F	+10.44	-1.65	V	-4.80	+9.42	i	-5.90	+4.55
G	+9.42	-4.80	W	-1.65	+10.44	j	-3.20	+6.50
H	+7.47	-7.47	X	0.00	+7.49	k	0.00	+4.17
J	+4.80	-9.42	Y	+3.20	+6.50	m	+2.90	+1.22
K	+1.65	-10.44	Z	+5.90	+4.55	n	+2.69	-2.72
L	-1.65	-10.44	a	+7.11	+1.45	p	0.00	-4.80
M	-4.80	-9.42	b	+7.11	-1.88	q	-2.69	-2.72
N	-7.47	-7.47	c	+5.51	-4.80	r	-2.90	+1.22



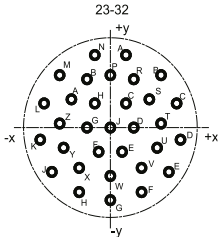
Contact	Coordinate		Contact	Coordinate		Contact	Coordinate	
	X	Y		X	Y		X	Y
A	0.00	+10.60	R	-10.09	-3.28	f	-4.78	-5.39
B	+3.28	+10.09	S	-10.60	0.00	g	-6.73	-2.55
C	+6.23	+8.58	T	-10.09	+3.28	h	-7.15	+0.87
D	+8.58	+6.23	U	-8.58	+6.23	i	-5.92	+4.09
E	+10.09	+3.28	V	-6.23	+8.58	j	-3.35	+6.38
F	+10.60	0.00	W	-3.28	+10.09	k	0.00	+3.81
G	+10.09	-3.28	X	0.00	+7.20	m	+2.98	+2.38
H	+8.58	-6.23	Y	+3.35	+6.38	n	+3.71	-0.85
J	+6.23	-8.58	Z	+5.92	+4.09	p	+1.66	-3.43
K	+3.28	-10.09	a	+7.15	+0.87	q	-1.66	-3.43
L	0.00	-10.60	b	+6.73	-2.55	r	-3.71	-0.85
M	-3.28	-10.09	c	+4.78	-5.39	s	-2.98	+2.38
N	-6.23	-8.58	d	+1.73	-6.99	t	0.00	0.00
P	-8.58	-6.23	e	-1.73	-6.99			



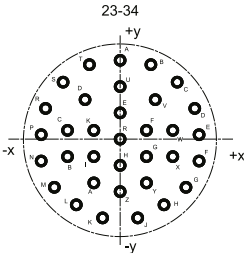
Contact	Coordinate		Contact	Coordinate		Contact	Coordinate	
	X	Y		X	Y		X	Y
A	+3.25	+9.78	H	-4.65	-9.19	R	+4.06	+3.71
B	+7.34	+7.24	J	-8.33	-6.07	S	+5.44	-0.90
C	+9.80	+3.12	K	-10.16	-1.65	T	+2.39	-4.93
D	+10.16	-1.65	L	-9.80	+3.12	U	-2.39	-4.93
E	+8.33	-6.07	M	-7.34	+7.24	V	-5.44	-0.90
F	+4.65	-9.19	N	-3.25	+9.78	W	-4.06	+3.71
G	0.00	-10.31	P	0.00	+6.22	X	0.00	0.00

# Quanwei

## MIL-DTL-38999 III Series Connector



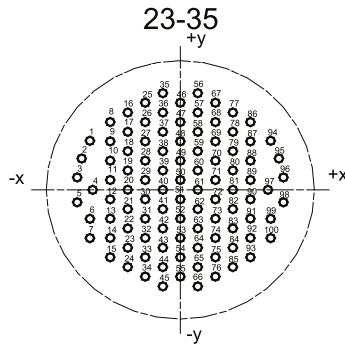
Contact	Coordinate		Contact	Coordinate		Contact	Coordinate	
	X	Y		X	Y		X	Y
A	+2.54	+11.43	M	-8.26	+8.26	Z	-8.26	+0.64
B	+8.26	+8.26	N	-2.54	+11.43	a	-6.35	+4.45
C	+10.80	+3.81	P	0.00	+8.26	b	-3.81	+7.62
D	+11.43	-1.91	R	+3.81	+7.62	c	+2.54	+3.81
E	+9.53	-6.99	S	+6.35	+4.45	d	+3.81	0.00
F	+5.08	-10.16	T	+8.26	+0.64	e	+1.91	-3.81
G	0.00	-11.43	U	+7.62	-3.18	f	-1.91	-3.81
H	-5.08	-10.16	V	+5.08	-6.35	g	-3.81	0.00
J	-9.53	-6.99	W	0.00	-7.62	h	-2.54	+3.81
K	-11.43	-1.91	X	-5.08	-6.35	j	0.00	0.00
L	-10.80	+3.81	Y	-7.62	-3.18			



Contact	Coordinate		Contact	Coordinate		Ccontact	Coordinate	
	X	Y		X	Y		X	Y
A	0.00	+11.43	N	+11.43	-3.18	b	-7.62	-2.54
B	+4.45	+10.80	P	-11.43	+0.64	c	-7.62	+1.27
C	+8.26	+8.26	R	-10.80	+4.45	d	-5.08	+5.72
D	+10.80	+4.45	S	-8.26	+8.26	e	0.00	+3.81
E	+11.43	+0.64	T	-4.45	+10.80	f	+3.81	+1.27
F	+11.43	-3.18	U	0.00	+7.62	g	+3.81	-2.54
G	+9.53	-6.99	V	+5.08	+5.72	h	0.00	-3.81
H	+6.35	-9.53	W	+7.62	+1.27	i	-3.81	-2.54
J	+2.54	-11.43	X	+7.62	-2.54	k	-3.81	+1.27
K	-2.54	-11.43	Y	+3.81	-6.35	r	0.00	0.00
L	-6.35	-9.53	Z	0.00	-7.62			
M	-9.53	-6.99	a	-3.81	-6.35			

# Quanwei

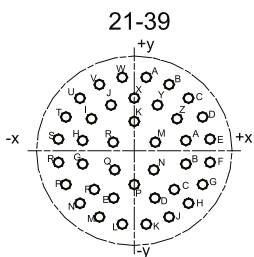
## MIL-DTL-38999 III Series Connector



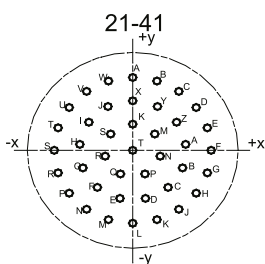
Contact	Coordinate		Contact	Coordinate		Contact	Coordinate		Contact	Coordinate		Contact	Coordinate	
	X	Y		X	Y		X	Y		X	Y		X	Y
1	-10.87	+6.12	21	-6.32	-2.41	41	-2.11	-2.41	61	+2.11	0.00	81	+6.32	0.00
2	-11.86	+3.91	22	-6.32	-4.83	42	-2.11	-4.83	62	+2.11	-2.41	82	+6.32	-2.41
3	-12.40	+1.55	23	-6.32	-7.24	43	-2.11	-7.24	63	+2.11	-4.83	83	+6.32	-4.83
4	-10.54	0.00	24	-6.32	-9.65	44	-2.11	-9.65	64	+2.11	-7.24	84	+6.32	-7.24
5	-12.40	-1.55	25	-4.22	+10.87	45	-2.11	-12.07	65	+2.11	-9.65	85	+6.32	-9.65
6	-10.87	-3.61	26	-4.22	+8.46	46	0.00	+10.87	66	+2.11	-12.07	86	+8.43	+8.46
7	-10.87	-6.02	27	-4.22	+6.05	47	0.00	+8.46	67	+4.22	+10.87	87	+8.43	+6.05
8	-8.43	+8.46	28	-4.22	+3.63	48	0.00	+6.05	68	+4.22	+8.46	88	+8.43	+3.63
9	-8.43	+6.05	29	-4.22	+1.22	49	0.00	+3.63	69	+4.22	+6.05	90	+8.43	+1.22
10	-8.43	+3.63	30	-4.22	-1.19	50	0.00	+1.22	70	+4.22	+3.63	90	+8.43	-1.19
11	-8.43	+1.22	31	-4.22	-3.61	51	0.00	-1.19	71	+4.22	+1.22	91	+8.43	-3.61
12	-8.43	-1.19	32	-4.22	-6.02	52	0.00	-3.61	72	+4.22	-1.19	92	+8.43	-6.02
13	-8.43	-3.61	33	-4.22	-8.43	53	0.00	-6.02	73	+4.22	-3.61	93	+8.43	-8.43
14	-8.43	-6.02	34	-4.22	-10.85	54	0.00	-8.43	74	+4.22	-6.02	94	+10.87	+6.12
15	-8.43	-8.43	35	-2.11	+12.07	55	0.00	-10.85	75	+4.22	-8.43	95	+11.86	+3.91
16	-6.32	+9.65	36	-2.11	+9.65	56	+2.11	+12.07	76	+4.22	-10.85	96	+12.40	+1.55
17	-6.32	+7.24	37	-2.11	+7.24	57	+2.11	+9.65	77	+6.32	+9.65	97	+10.54	0.00
18	-6.32	+4.83	38	-2.11	+4.83	58	+2.11	+7.24	78	+6.32	+7.24	98	+12.40	-1.55
19	-6.32	+2.41	39	-2.11	+2.41	59	+2.11	+4.83	79	+6.32	+4.83	99	+10.87	-3.61
20	-6.32	0.00	40	-2.11	0.00	60	+2.11	+2.41	80	+6.32	+2.41	100	+10.87	-6.02

# Quanwei

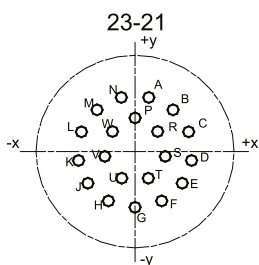
## MIL-DTL-38999 III Series Connector



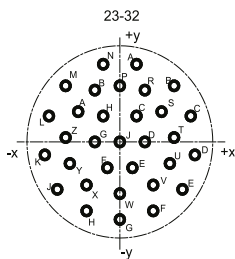
Contact	Coordinate		Contact	Coordinate		Contact	Coordinate	
	X	Y		X	Y		X	Y
A	+1.65	+10.44	P	-9.42	-4.80	d	+2.84	-6.73
B	+4.80	+9.42	R	-10.44	-1.65	e	-2.84	-6.73
C	+7.47	+7.47	S	-10.44	+1.65	f	-5.51	-4.80
D	+9.42	+4.80	T	-9.42	+4.80	g	-7.11	-1.88
E	+10.44	+1.65	U	-7.47	+7.47	h	-7.11	+1.45
F	+10.44	-1.65	V	-4.80	+9.42	i	-5.90	+4.55
G	+9.42	-4.80	W	-1.65	+10.44	j	-3.20	+6.50
H	+7.47	-7.47	X	0.00	+7.49	k	0.00	+4.17
J	+4.80	-9.42	Y	+3.20	+6.50	m	+2.90	+1.22
K	+1.65	-10.44	Z	+5.90	+4.55	n	+2.69	-2.72
L	-1.65	-10.44	a	+7.11	+1.45	p	0.00	-4.80
M	-4.80	-9.42	b	+7.11	-1.88	q	-2.69	-2.72
N	-7.47	-7.47	c	+5.51	-4.80	r	-2.90	+1.22



Contact	Coordinate		Contact	Coordinate		Contact	Coordinate	
	X	Y		X	Y		X	Y
A	0.00	+10.60	R	-10.09	-3.28	f	-4.78	-5.39
B	+3.28	+10.09	S	-10.60	0.00	g	-6.73	-2.55
C	+6.23	+8.58	T	-10.09	+3.28	h	-7.15	+0.87
D	+8.58	+6.23	U	-8.58	+6.23	i	-5.92	+4.09
E	+10.09	+3.28	V	-6.23	+8.58	j	-3.35	+6.38
F	+10.60	0.00	W	-3.28	+10.09	k	0.00	+3.81
G	+10.09	-3.28	X	0.00	+7.20	m	+2.98	+2.38
H	+8.58	-6.23	Y	+3.35	+6.38	n	+3.71	-0.85
J	+6.23	-8.58	Z	+5.92	+4.09	p	+1.66	-3.43
K	+3.28	-10.09	a	+7.15	+0.87	q	-1.66	-3.43
L	0.00	-10.60	b	+6.73	-2.55	r	-3.71	-0.85
M	-3.28	-10.09	c	+4.78	-5.39	s	-2.98	+2.38
N	-6.23	-8.58	d	+1.73	-6.99	t	0.00	0.00
P	-8.58	-6.23	e	-1.73	-6.99			



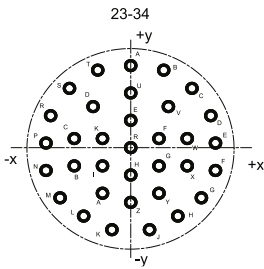
Contact	Coordinate		Contact	Coordinate		Contact	Coordinate	
	X	Y		X	Y		X	Y
A	+3.25	+9.78	H	-4.65	-9.19	R	+4.06	+3.71
B	+7.34	+7.24	J	-8.33	-6.07	S	+5.44	-0.90
C	+9.80	+3.12	K	-10.16	-1.65	T	+2.39	-4.93
D	+10.16	-1.65	L	-9.80	+3.12	U	-2.39	-4.93
E	+8.33	-6.07	M	-7.34	+7.24	V	-5.44	-0.90
F	+4.65	-9.19	N	-3.25	+9.78	W	-4.06	+3.71
G	0.00	-10.31	P	0.00	+6.22	X	0.00	0.00



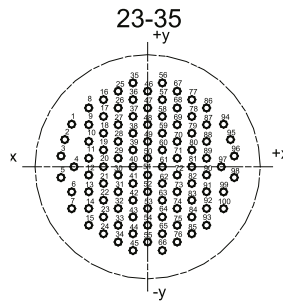
Contact	Coordinate		Contact	Coordinate		Contact	Coordinate	
	X	Y		X	Y		X	Y
A	+2.54	+11.43	M	-8.26	+8.26	Z	-8.26	+0.64
B	+8.26	+8.26	N	-2.54	+11.43	a	-6.35	+4.45
C	+10.80	+3.81	P	0.00	+8.26	b	-3.81	+7.62
D	+11.43	-1.91	R	+3.81	+7.62	c	+2.54	+3.81
E	+9.53	-6.99	S	+6.35	+4.45	d	+3.81	0.00
F	+5.08	-10.16	T	+8.26	+0.64	e	+1.91	-3.81
G	0.00	-11.43	U	+7.62	-3.18	f	-1.91	-3.81
H	-5.08	-10.16	V	+5.08	-6.35	g	-3.81	0.00
J	-9.53	-6.99	W	0.00	-7.62	h	-2.54	+3.81
K	-11.43	-1.91	X	-5.08	-6.35	j	0.00	0.00
L	-10.80	+3.81	Y	-7.62	-3.18			

# Quanwei

## MIL-DTL-38999 III Series Connector



Contact	Coordinate		Contact	Coordinate		Contact	Coordinate	
	Y	X		X	Y		X	Y
A	0.00	+11.43	N	+11.43	-3.18	b	-7.62	-2.54
B	+4.45	+10.80	P	-11.43	+0.64	c	-7.62	+1.27
C	+8.26	+8.26	R	-10.80	+4.45	d	-5.08	+5.72
D	+10.80	+4.45	S	-8.26	+8.26	e	0.00	+3.81
E	+11.43	+0.64	T	-4.45	+10.80	f	+3.81	+1.27
F	+11.43	-3.18	U	0.00	+7.62	g	+3.81	-2.54
G	+9.53	-6.99	V	+5.08	+5.72	h	0.00	-3.81
H	+6.35	-9.53	W	+7.62	+1.27	i	-3.81	-2.54
J	+2.54	-11.43	X	+7.62	-2.54	k	-3.81	+1.27
K	-2.54	-11.43	Y	+3.81	-6.35	r	0.00	0.00
L	-6.35	-9.53	Z	0.00	-7.62			
M	-9.53	-6.99	a	-3.81	-6.35			

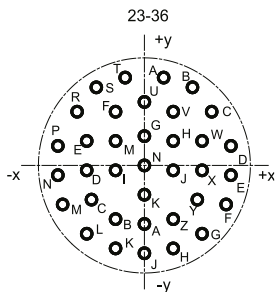


Contact	Coordinate		Contact	Coordinate		Contact	Coordinate		Contact	Coordinate		Contact	Coordinate	
	X	Y		X	Y		X	Y		X	Y		X	Y
1	-10.87	+6.12	21	-6.32	-2.41	41	-2.11	-2.41	61	+2.11	0.00	81	+6.32	0.00
2	-11.86	+3.91	22	-6.32	-4.83	42	-2.11	-4.83	62	+2.11	-2.41	82	+6.32	-2.41
3	-12.40	+1.55	23	-6.32	-7.24	43	-2.11	-7.24	63	+2.11	-4.83	83	+6.32	-4.83
4	-10.54	0.00	24	-6.32	-9.65	44	-2.11	-9.65	64	+2.11	-7.24	84	+6.32	-7.24
5	-12.40	-1.55	25	-4.22	+10.87	45	-2.11	-12.07	65	+2.11	-9.65	85	+6.32	-9.65
6	-10.87	-3.61	26	-4.22	+8.46	46	0.00	+10.87	66	+2.11	-12.07	86	+8.43	+8.46
7	-10.87	-6.02	27	-4.22	+6.05	47	0.00	+8.46	67	+4.22	+10.87	87	+8.43	+6.05
8	-8.43	+8.46	28	-4.22	+3.63	48	0.00	+6.05	68	+4.22	+8.46	88	+8.43	+3.63
9	-8.43	+6.05	29	-4.22	+1.22	49	0.00	+3.63	69	+4.22	+6.05	90	+8.43	+1.22
10	-8.43	+3.63	30	-4.22	-1.19	50	0.00	+1.22	70	+4.22	+3.63	90	+8.43	-1.19
11	-8.43	+1.22	31	-4.22	-3.61	51	0.00	-1.19	71	+4.22	+1.22	91	+8.43	-3.61
12	-8.43	-1.19	32	-4.22	-6.02	52	0.00	-3.61	72	+4.22	-1.19	92	+8.43	-6.02
13	-8.43	-3.61	33	-4.22	-8.43	53	0.00	-6.02	73	+4.22	-3.61	93	+8.43	-8.43
14	-8.43	-6.02	34	-4.22	-10.85	54	0.00	-8.43	74	+4.22	-6.02	94	+10.87	+6.12
15	-8.43	-8.43	35	-2.11	+12.07	55	0.00	-10.85	75	+4.22	-8.43	95	+11.86	+3.91
16	-6.32	+9.65	36	-2.11	+9.65	56	+2.11	+12.07	76	+4.22	-10.85	96	+12.40	+1.55
17	-6.32	+7.24	37	-2.11	+7.24	57	+2.11	+9.65	77	+6.32	+9.65	97	+10.54	0.00
18	-6.32	+4.83	38	-2.11	+4.83	58	+2.11	+7.24	78	+6.32	+7.24	98	+12.40	-1.55
19	-6.32	+2.41	39	-2.11	+2.41	59	+2.11	+4.83	79	+6.32	+4.83	99	+10.87	-3.61
20	-6.32	0.00	40	-2.11	0.00	60	+2.11	+2.41	80	+6.32	+2.41	100	+10.87	-6.02

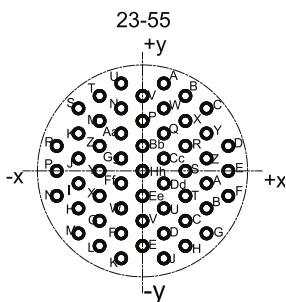


# Quanwei

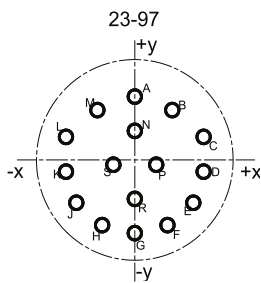
## MIL-DTL-38999 III Series Connector



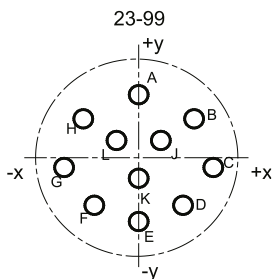
Contact	Coordinate		Contact	Coordinate		Contact	Coordinate	
	X	Y		X	Y		X	Y
A	+2.54	+11.43	N	-11.43	-1.27	b	-3.81	-6.99
B	+6.35	+10.16	P	-11.43	+2.54	c	-6.99	-4.45
C	+8.90	+6.99	R	-8.90	+6.69	d	-7.62	-0.64
D	+11.43	+2.54	S	-6.35	+10.16	e	-7.62	+3.18
E	+11.43	-1.27	T	-2.54	+11.43	f	-3.81	+6.69
F	+10.80	-5.08	U	0.00	+8.26	g	0.00	+3.81
G	+7.62	-8.90	V	+3.81	+6.99	h	+3.81	+3.18
H	+3.81	-10.80	W	+7.62	+3.18	j	+3.81	-0.64
J	0.00	-11.43	X	+7.62	-0.64	k	0	-3.81
K	-3.81	-10.80	Y	+6.99	-4.45	i	-3.81	-0.64
L	-7.62	-8.90	Z	+3.81	-6.99	m	-3.81	+3.18
M	-10.80	-5.08	a	0.00	-7.62	n	0.00	0.00



Contact	Coordinate		Contact	Coordinate		Contact	Coordinate	
	X	Y		X	Y		X	Y
A	+2.84	+11.56	W	+2.84	+8.26	r	+5.72	+3.30
B	+5.72	+9.91	X	+5.72	+6.60	s	+5.72	0.00
C	+8.53	+8.26	Y	+8.53	+4.95	t	+5.72	-3.30
D	+11.43	+3.30	Z	+8.53	+1.65	u	+2.84	-4.95
E	+11.43	0.00	a	+8.53	-1.65	v	0.00	-6.60
F	+11.43	-3.30	b	+8.53	-4.95	w	-2.84	-4.95
G	+8.53	-8.26	c	+5.72	-6.60	x	-5.72	-3.30
H	+5.72	-9.91	d	+2.84	-8.26	y	-5.72	0.00
J	+2.84	-11.56	e	0.00	-9.91	z	-5.72	+3.30
K	-2.84	-11.56	f	-2.84	-8.26	AA	-2.84	+4.95
L	-5.72	-9.91	g	-5.72	-6.60	BB	0.00	+3.30
M	-8.53	-8.26	h	-8.53	-4.95	CC	+2.84	+1.65
N	-11.43	-3.30	i	-8.53	-1.65	DD	+2.84	-1.65
P	-11.43	0.00	j	-8.53	+1.65	EE	0.00	-3.30
R	-11.43	+3.30	k	-8.53	+4.95	FF	-2.84	-1.65
S	-8.53	+8.26	m	-5.72	+6.60	GG	-2.84	+1.65
T	-5.72	+9.91	n	-2.84	+8.26	HH	0.00	0.00
U	-2.84	+11.56	p	0.00	+6.60			
V	0.00	+9.91	q	+2.84	+4.95			



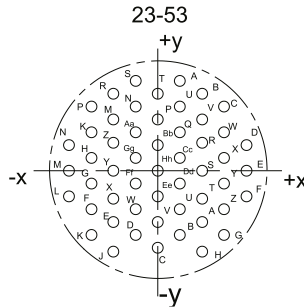
Contact	Coordinate		Contact	Coordinate		Contact	Coordinate	
	X	Y		X	Y		X	Y
A	0.00	+8.74	G	0.00	-10.31	N	0.00	+3.96
B	+5.33	+6.86	H	-4.65	-9.19	P	+3.05	-0.76
C	+9.80	+3.12	J	-8.33	-6.07	R	0.00	-5.54
D	+10.16	-1.65	K	-10.16	-1.65	S	-3.05	-0.76
E	+8.33	-6.07	L	-9.80	+3.12			
F	+4.65	-9.19	M	-5.33	+6.86			



Contact	Coordinate		Contact	Coordinate	
	X	Y		X	Y
A	0.00	+10.26	G	-10.26	0.00
B	+7.62	+6.86	H	-7.62	+6.86
C	+10.26	0.00	J	+3.05	+3.81
D	+6.10	-5.33	K	0.00	-1.52
E	0.00	-7.62	L	-3.05	+3.81
F	-6.10	-5.33			

# Quanwei

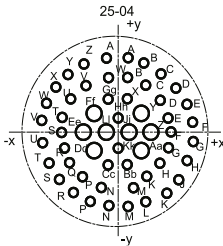
## MIL-DTL-38999 III Series Connector



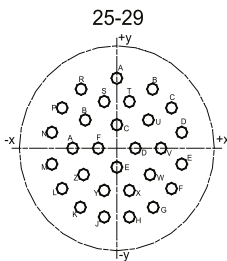
Contact	Coordinate		Contact	Coordinate		Contact	Coordinate	
	X	Y		X	Y		X	Y
A	+2.84	+11.56	W	+8.53	+4.95	t	+5.72	-3.30
B	+5.72	+9.91	X	+8.53	+1.65	u	+2.84	-4.95
C	+8.53	+8.26	Y	+8.53	-1.65	v	0.00	-6.60
D	+11.43	+3.30	Z	+8.53	-4.95	w	-2.84	-4.95
E	+11.43	0.00	a	+5.72	-6.60	x	-5.72	-3.30
F	+11.43	-3.30	b	+2.84	-8.26	y	-5.72	0.00
G	+8.53	-8.26	c	0.00	-9.91	z	-5.72	+3.30
H	+5.72	-10.41	d	-2.84	-8.26	AA	-2.84	+4.95
J	-5.72	-10.41	e	-5.72	-6.60	BB	0.00	+3.30
K	-8.53	-8.26	f	-8.53	-4.95	CC	+2.84	+1.65
L	-11.43	-3.30	g	-8.53	-1.65	DD	+2.84	-1.65
M	-11.43	0.00	h	-8.53	+1.65	EE	0.00	-3.30
N	-11.43	+3.30	k	-8.53	+4.95	FF	-2.84	-1.65
P	-8.53	+8.26	m	-5.72	+6.60	GG	-2.84	+1.65
R	-5.72	+9.91	n	-2.84	+8.26	HH	0.00	0.00
S	-2.84	+11.56	p	0.00	+6.60			
T	0.00	+9.91	q	+2.84	+4.95			
U	+2.84	+8.26	r	+5.72	+3.30			
V	+5.72	+6.60	s	+5.72	0.00			

# Quanwei

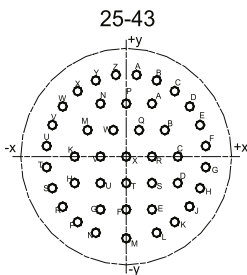
## MIL-DTL-38999 III Series Connector



Contact	Coordinate		Contact	Coordinate		Contact	Coordinate	
	X	Y		X	Y		X	Y
A	+1.75	+13.49	W	-12.52	+5.21	t	-9.58	+3.35
B	+5.16	+12.57	X	-10.77	+8.28	u	-7.90	+6.38
C	+8.23	+10.80	Y	-8.23	+10.80	v	-5.38	+8.74
D	+10.77	+8.28	Z	-5.16	+12.57	w	-2.18	+10.08
E	+12.52	-5.21	a	-1.75	+13.49	x	+1.75	+6.68
F	+13.49	+1.75	b	+2.18	+10.08	y	+4.37	+3.78
G	+13.49	-1.75	c	+5.38	+8.74	z	+6.55	0.00
H	+12.52	-5.21	d	+7.90	+6.38	AA	+4.37	-3.78
J	+10.77	-8.28	e	+9.58	+3.35	BB	+1.75	-6.68
K	+8.23	10.80	f	+10.46	0.00	CC	-1.75	-6.68
L	+5.16	-12.57	g	+9.58	-3.35	DD	-4.37	-3.78
M	+1.75	-13.49	h	+7.90	-6.38	EE	-6.55	0.00
N	-1.75	-13.39	k	+5.38	-8.74	FF	-4.37	+3.78
P	-5.16	-12.57	m	+2.18	-10.08	GG	-1.75	+6.68
R	-8.23	-10.80	n	-2.18	-10.08	HH	0.00	+3.35
S	-10.77	-8.28	p	-5.38	-8.74	JJ	+2.18	0.00
T	-12.52	-5.21	q	-7.90	-6.38	KK	0.00	-3.35
U	-13.49	-1.75	r	-9.58	-3.35	LL	-2.18	0.00
V	-13.49	+1.75	s	-10.46	0.00			



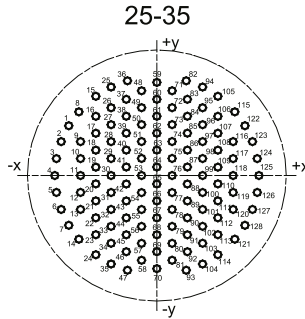
Contact	Coordinate		Contact	Coordinate		Contact	Coordinate	
	X	Y		X	Y		X	Y
A	0.00	+12.22	L	-10.03	-7.04	X	+2.31	-7.37
B	+6.55	+10.31	M	-11.91	-2.77	Y	-2.31	-7.37
C	+10.03	+7.04	N	-11.91	+2.77	Z	-6.10	-4.60
D	+11.91	+2.77	P	-10.03	+7.04	a	-8.10	0.00
E	+11.91	-2.77	R	-6.55	+10.31	b	-5.79	+4.93
F	+10.03	-7.04	S	-2.31	+8.15	c	0.00	+4.09
G	+6.68	-10.31	T	+2.31	+8.15	d	+3.40	0.00
H	+2.31	-11.99	U	+5.79	+4.93	e	0.00	-3.30
J	-2.31	-11.99	V	+8.10	0.00	f	-3.40	0.00
K	-6.68	-10.31	W	+6.10	-4.60			



Contact	Coordinate		Contact	Coordinate		Contact	Coordinate	
	X	Y		X	Y		X	Y
A	+1.75	+13.49	S	-12.52	-5.21	h	-8.74	-4.37
B	+5.16	+12.57	T	-13.49	-1.75	k	-8.74	0.00
C	+8.23	+10.80	U	-13.49	+1.75	m	-6.55	+4.37
D	+10.77	+8.28	V	-12.52	+5.21	n	-4.37	+8.74
E	+12.52	+5.21	W	-10.77	+8.28	p	0.00	+8.74
F	+13.49	+1.75	X	-8.23	+10.80	q	+2.18	+4.37
G	+13.49	-1.75	Y	-5.16	+12.57	r	+4.37	0.00
H	+12.52	-5.21	Z	-1.75	+13.49	s	+4.37	-4.37
J	+10.77	-8.28	a	+4.37	+8.74	t	-0.00	-4.37
K	+8.23	-10.80	b	+6.55	+4.37	u	-4.37	-4.37
L	+5.16	-12.57	c	+8.74	0.00	v	-4.37	0.00
M	0.00	-13.49	d	+8.74	-4.37	w	-2.18	+4.37
N	-5.16	-12.57	e	+4.37	-8.74	x	0.00	0.00
P	-8.23	-10.80	f	0.00	-8.74			
R	-10.77	-8.28	g	-4.37	-8.74			

# Quanwei

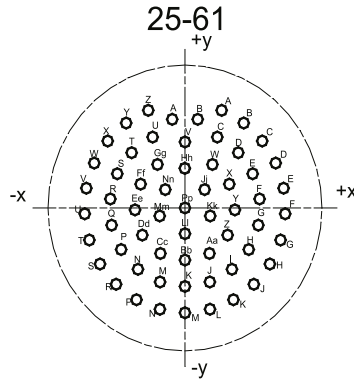
## MIL-DTL-38999 III Series Connector



Contact	Coordinate		Contact	Coordinate		Contact	Coordinate		Contact	Coordinate	
	X	Y		X	Y		X	Y		X	Y
1	-12.17	+7.09	33	-6.32	-7.24	65	0.00	-1.19	97	+6.32	+4.83
2	-13.21	+4.83	34	-6.32	-9.65	66	0.00	-3.61	98	+6.32	+2.41
3	-13.87	+2.41	35	-6.32	-12.07	67	0.00	-6.02	99	+6.32	0.00
4	-14.10	0.00	36	-4.06	+13.49	68	0.00	-8.43	100	+6.32	-2.41
5	-13.87	-2.41	37	-4.22	+10.85	69	0.00	-10.85	101	+6.32	-4.83
6	-13.21	-4.83	38	-4.22	+8.43	70	0.00	-14.10	102	+6.32	-7.24
7	-12.17	-7.09	39	-4.22	+6.02	71	+2.11	+12.07	103	+6.32	-9.65
8	-10.77	+9.07	40	-4.22	+3.61	72	+2.11	+9.65	104	+6.32	-12.07
9	-10.54	+4.83	41	-4.22	+1.19	73	+2.11	+7.24	105	+8.43	+11.28
10	-10.54	+2.41	42	-4.22	-1.19	74	+2.11	+4.83	106	+8.43	+8.43
11	-10.54	0.00	43	-4.22	-3.61	75	+2.11	+2.41	107	+8.43	+6.02
12	-10.54	-2.41	44	-4.22	-6.02	76	+2.11	0.00	108	+8.43	+3.61
13	-10.54	-4.83	45	-4.22	-8.43	77	+2.11	-2.41	109	+8.43	+1.19
14	-10.77	-9.07	46	-4.22	-10.85	78	+2.11	-4.83	110	+8.43	-1.19
15	-8.43	+11.28	47	-4.22	-13.26	79	+2.11	-7.24	111	+8.43	-3.61
16	-8.43	+8.43	48	-2.11	+12.07	80	+2.11	-9.65	112	+8.43	-6.02
17	-8.43	+6.02	49	-2.11	+9.65	81	+2.11	-12.07	113	+8.43	-8.43
18	-8.43	+3.61	50	-2.11	+7.24	82	+4.06	+13.49	114	+8.43	-10.85
19	-8.43	+1.19	51	-2.11	+4.83	83	+4.22	+10.85	115	+10.77	+9.07
20	-8.43	-1.19	52	-2.11	+2.41	84	+4.22	+8.43	116	+10.54	+4.83
21	-8.43	-3.61	53	-2.11	0.00	85	+4.22	+6.02	117	+10.54	+2.41
22	-8.43	-6.02	54	-2.11	-2.41	86	+4.22	+3.61	118	+10.54	0.00
23	-8.43	-8.43	55	-2.11	-4.83	87	+4.22	+1.19	119	+10.54	-2.41
24	-8.43	-10.85	56	-2.11	-7.24	88	+4.22	-1.19	120	+10.54	-4.83
25	-6.32	+12.60	57	-2.11	-9.65	90	+4.22	-3.61	121	+10.77	-9.07
26	-6.32	+9.65	58	-2.11	-12.07	90	+4.22	-6.02	122	+12.17	+7.09
27	-6.32	+7.24	59	0.00	+13.26	91	+4.22	-8.43	123	+13.21	+4.83
28	-6.32	+4.83	60	0.00	+10.85	92	+4.22	-10.85	124	+13.87	+2.41
29	-6.32	+2.41	61	0.00	+8.43	93	+4.22	-13.26	125	+14.10	0.00
30	-6.32	0.00	62	0.00	+6.02	94	+6.32	+12.60	126	+13.87	-2.41
31	-6.32	-2.41	63	0.00	+3.61	95	+6.32	+9.65	127	+13.21	-4.83
32	-6.32	-4.83	64	0.00	+1.19	96	+6.32	+7.24	128	+12.17	-7.09

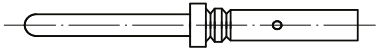
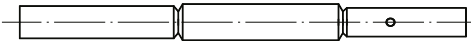

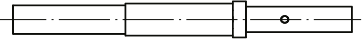
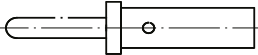
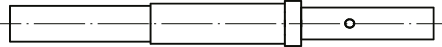

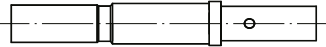
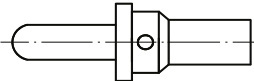
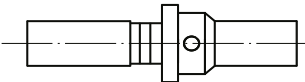
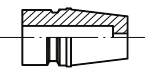
# Quanwei

MIL-DTL-38999 III Series Connector



Contact	Coordinate		Contact	Coordinate		Contact	Coordinate	
	X	Y		X	Y		X	Y
A	+4.98	+12.70	Y	-7.98	+11.05	v	0.00	+8.59
B	+7.98	+11.05	Z	-4.98	+12.70	w	+3.73	+5.66
C	+10.49	+8.71	a	-1.73	+11.53	x	+6.02	+3.10
D	+12.32	+5.84	b	+1.73	+11.53	y	+6.78	-0.25
E	+13.39	+2.57	c	+4.39	+9.22	z	+5.79	-3.53
F	+13.61	-0.76	d	+7.24	+7.19	AA	+3.33	-5.92
G	+12.98	-4.17	e	+9.19	+4.45	BB	0.00	-6.78
H	+11.53	-7.29	f	+10.13	+1.17	CC	-3.33	-5.92
J	+9.35	-9.93	g	+9.96	+2.24	DD	-5.79	-3.53
K	+6.58	+11.94	h	+8.66	-5.41	EE	-6.78	-0.25
L	+3.40	-13.18	i	+6.38	-7.98	FF	-6.02	+3.10
M	0.00	-13.64	j	+3.38	-9.63	GG	-3.73	+5.66
N	-3.40	-13.18	k	0.00	-10.21	HH	0.00	+5.08
P	-6.58	-11.94	m	-3.38	-9.63	JJ	+2.67	+2.39
R	-9.35	-9.93	n	-6.38	-7.98	KK	+3.43	-1.04
S	-11.53	-7.29	p	-8.66	-5.41	LL	0.00	-3.35
T	-12.98	-4.17	q	-9.96	-2.24	MM	-3.43	-1.04
U	-13.61	-0.76	r	-10.13	+1.17	NN	-2.67	+2.39
V	-13.39	+2.57	s	-9.19	+4.45	PP	0.00	0.00
W	-12.32	+5.84	t	-7.24	+7.19			
X	-10.49	+8.71	u	-4.39	+9.22			

## Label Contact Diagram

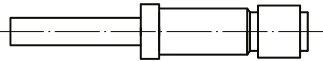
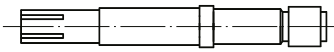
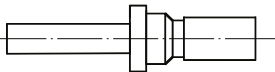
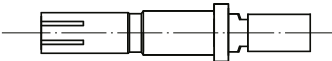
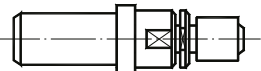
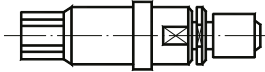
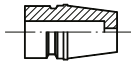
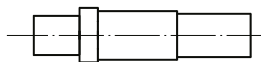

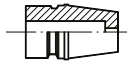
Contact No.	Contact Type	Standard Parts No.	Contact Diagram
#22D	Pin	DC39029/58 360	
	Socket	DC39029/56 348	
#20	Pin	DC39029/58 363	
	Socket	DC39029/56 351	
#16	Pin	DC39029/58 364	
	Socket	DC39029/56 352	
#12	Pin	DC39029/58 365	
	Socket	DC39029/56 353	
#8 power	Pin	DC8599-7544	
	Socket	DC8599-7541	
	Sleeve <sup>(1)</sup>	DC8599-4542	

If only sealing sleeve, need to order separately.

# Quanwei

MIL-DTL-38999 III Series Connector

## Coaxial Contact Figure

Contact No.	Contact Type	Standard Parts No.	Contact Diagram
#16 Coaxial	Pin	DC39029/76 424	
	Socket	DC39029/77 428	
#12 Coaxial	Pin	DC39029/28 211 <sup>(1)</sup>	
	Socket	DC39029/75 416 <sup>(1)</sup>	
#8 Coaxial	Pin	DC39029/60 367	
	Socket	DC39029/59 366	
	Sleeve	DC8599-4542	
#8 Triax	Pin	DC39029/90 529	
	Socket	DC39029/91 530	
	Sleeve	DC8599-4542	

# Quanwei

MIL-DTL-38999 III Series Connector

## Press-fit Contact Dimension

Contact No.	Contact Style	Pin Head Diameter $\phi$ mm	Cable Section Area				Wire Insulating Outer Diameter	
			AWG		mm <sup>2</sup>		min	max
			min	max	min	max		
#22D	pin / socket	0.76	26	22	0.13	0.33	0.76	1.37
#20	pin / socket	1.02	24	20	0.21	0.52	1.02	2.11
#16	pin / socket	1.59	20	16	0.52	1.31	1.65	2.77
#12	pin / socket	2.39	14	12	2.08	3.31	2.46	3.61
#8	pin / socket	3.61	—	8	—	8.37	4.50	6.50
#16 coaxial	pin / socket	1.59	SFF-50-1.5-1		SYV-50-2-1		1.65	2.60
#12 coaxial	pin / socket	2.39	SFF-50-1.5-1		SYV-50-2-1		2.40	2.60
#8 coaxial	pin / socket	5.54	SFF-95-3				—	2.80
#8 triax	pin / socket	5.54	SEFF-78-1-51				3.15	3.40

Note: The sleeve TY7.854.001 for sealing on #8 contact need to separate order.