

Quanwei

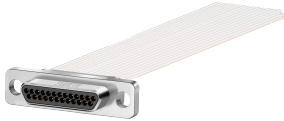
| | |
|---|-----------|
| MIL-DTL-83513 Micro-D Connectors | |
| DC29 Series Crimping Connectors | 1 |
| DC29 Series Right Angle to PCB Connectors..... | 4 |
| DC29 Series Straight to PCB Connectors..... | 14 |
| DC29 Series Solder Cup Connectors..... | 22 |
| DC29 Series Locking Hardware..... | 26 |
| DC29 Series Backshells..... | 31 |

Quanwei

MIL-DTL-83513 Micro-D Connectors

DC29 Series Crimping Connectors

Brief Introduction

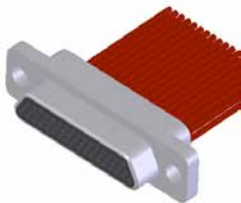


- Micro-D Connectors
- Twist Pin Contacts, High Density
- Metal Shell, Nickel or Cadmium Plating
- Crimping Connectors
- The Sectional Area of Cable: 0.1mm~0.15mm, 0.07mm
- Meets MIL-DTL-83513

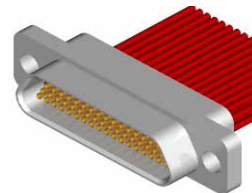
Specifications

- | | |
|----------------------------|---|
| ■ Environment Temperature: | -55°C~+125°C |
| ■ Vibration: | 10Hz~2000Hz, 196m/s ² |
| ■ Random Vibration: | Power spectrum density 0.4G ² /Hz, root mean square value of total acceleration 23.1G. |
| ■ Shock: | 735m/s ² 11ms |
| ■ Rated Current: | 3A |
| ■ Contact Resistance: | ≤10mΩ |
| ■ Insulation Resistance: | ≥5000MΩ |
| ■ Dielectric Strength: | 800V |
| ■ Durability: | 500 times |

Product Stereogram



Plug

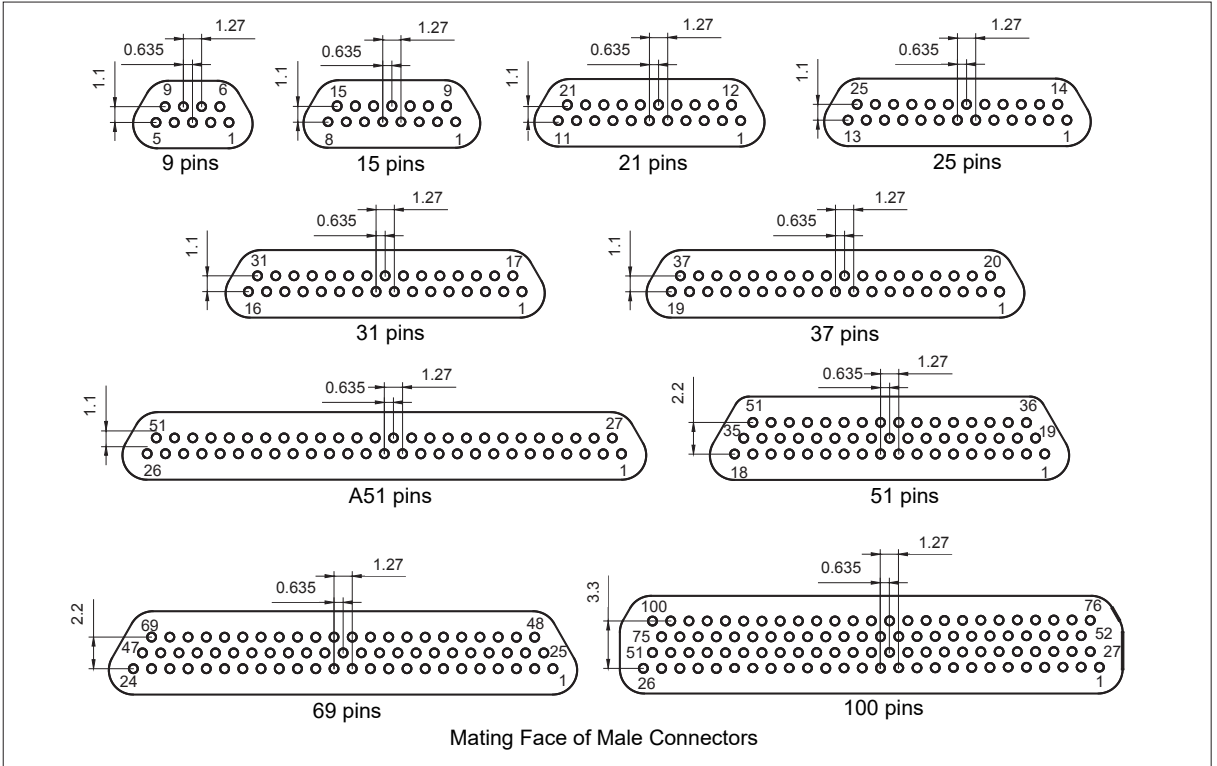


Receptacle

Quanwei

DC29 Micro-D Connectors

Contact Arrangements



How To Order

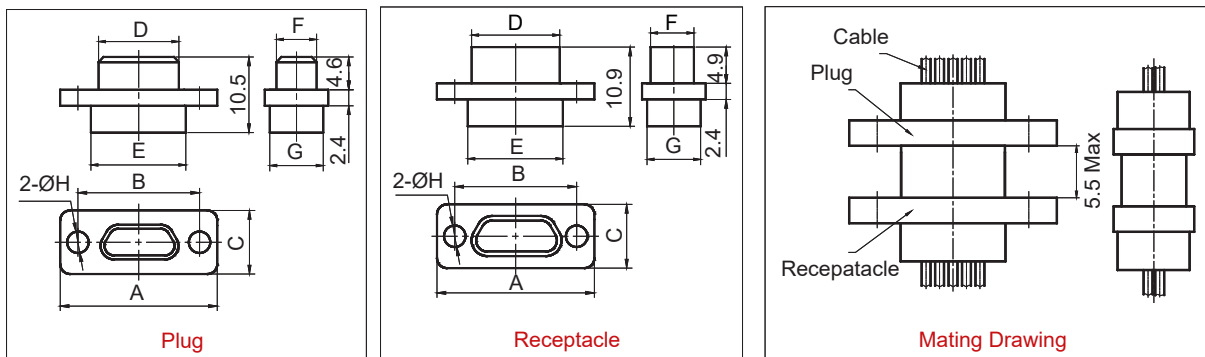
| | | | | | | | | | |
|--|-------------|------------|-----------|------------|----------|-----------|------------|----------|-----------|
| Sample Part Number | DC29 | -31 | PI | B01 | G | AA | -26 | 9 | 10 |
| Series: DC29—Micro-D Connectors for MIL-DTL-83513 | | | | | | | | | |
| Contact Number: 9, 15, 21, 25, 31, 37, A51, 51, 69, 100pins | | | | | | | | | |
| Contact Type: PI—Pin in Plug RH—Socket in Receptacle | | | | | | | | | |
| Locking Hardware Type: B01—Locking Hardware (See page 26 to 30) No Code—No Locking Hardware | | | | | | | | | |
| Shell Material And Finish: G—Aluminum Shell, Cadmium Plating No Code—Aluminum Shell, Nickel Plating | | | | | | | | | |
| Backshell Type: AA—Backshell Type (See page 31 to 33) No Code—No Backshell | | | | | | | | | |
| Wire Gauge: 26—AWG26 | | | | | | | | | |
| Wire Color: 9—White Color T—Ten Color Repeating | | | | | | | | | |
| Wire Length: 10—Wire Length in cm. "10" Specifies 10 cm | | | | | | | | | |

Quanwei

DC29 Micro-D Connectors

DC29 Series Crimping Connectors

Outline Dimensions

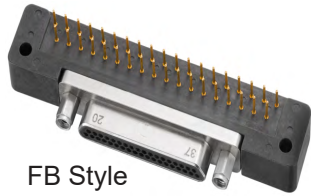


| Part Number | Outline Dimensions | | | | | | | |
|-------------|--------------------|------|-----|------|------|-----|-----|------|
| | A | B | C | D | E | F | G | H |
| DC29-9PI | 19.6 | 14.3 | 7.6 | 8.4 | 9.9 | 4.7 | 6.8 | 2.31 |
| DC29-15PI | 23.5 | 18.2 | 7.6 | 12.3 | 13.8 | 4.7 | 6.8 | 2.31 |
| DC29-21PI | 27.3 | 22 | 7.6 | 16.1 | 17.6 | 4.7 | 6.8 | 2.31 |
| DC29-25PI | 29.8 | 24.5 | 7.6 | 18.6 | 20.2 | 4.7 | 6.8 | 2.31 |
| DC29-31PI | 33.6 | 28.3 | 7.6 | 22.4 | 24 | 4.7 | 6.8 | 2.31 |
| DC29-37PI | 37.4 | 32.1 | 7.6 | 26.2 | 27.8 | 4.7 | 6.8 | 2.31 |
| DC29-A51PI | 46.3 | 41 | 7.6 | 35 | 36.7 | 4.7 | 6.8 | 2.31 |
| DC29-51PI | 36.2 | 30.9 | 8.7 | 25 | 26.6 | 5.8 | 7.9 | 2.31 |
| DC29-69PI | 43.8 | 38.5 | 8.7 | 32.6 | 34.2 | 5.8 | 7.9 | 2.31 |
| DC29-100PI | 54.7 | 45.7 | 9.7 | 35.1 | 36.6 | 6.8 | 9.1 | 3.7 |
| DC29-9RH | 19.6 | 14.3 | 7.6 | 9.9 | 9.9 | 6.1 | 6.8 | 2.31 |
| DC29-15RH | 23.5 | 18.2 | 7.6 | 13.7 | 13.8 | 6.1 | 6.8 | 2.31 |
| DC29-21RH | 27.3 | 22 | 7.6 | 17.5 | 17.6 | 6.1 | 6.8 | 2.31 |
| DC29-25RH | 29.8 | 24.5 | 7.6 | 20.1 | 20.2 | 6.1 | 6.8 | 2.31 |
| DC29-31RH | 33.6 | 28.3 | 7.6 | 23.9 | 24 | 6.1 | 6.8 | 2.31 |
| DC29-37RH | 37.4 | 32.1 | 7.6 | 27.7 | 22.8 | 6.1 | 6.8 | 2.31 |
| DC29-A51RH | 46.3 | 41 | 7.6 | 36.5 | 36.7 | 6.1 | 6.8 | 2.31 |
| DC29-51RH | 36.2 | 30.9 | 8.7 | 26.5 | 26.6 | 7.2 | 7.9 | 2.31 |
| DC29-69RH | 43.8 | 38.5 | 8.7 | 34.1 | 34.2 | 7.2 | 7.9 | 2.31 |
| DC29-100RH | 54.7 | 45.7 | 9.7 | 36.6 | 36.6 | 8.3 | 9.1 | 2.31 |

Remark: All dimensions are in mm.

Quanwei

MIL-DTL-83513 Micro-D Connectors DC29 Series Right Angle To PCB Connectors



FB Style



FA Style

Brief Introduction

- Micro-D Connectors
- Twist Pin Contacts, High Density
- Metal Shell, Nickel or Cadmium Plating
- Right Angle to PCB Connectors
- Meets MIL-DTL-83513

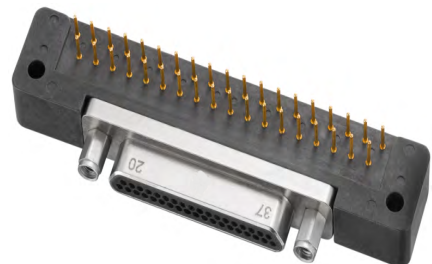
Specifications

| | |
|----------------------------|--|
| ■ Environment Temperature: | -55°C~+125°C |
| ■ Vibration: | 10Hz~2000Hz, 196m/s ² |
| ■ Random Vibration: | Power spectrum density 0.4G ² /Hz, root square value of total acceleration of 23.1G |
| ■ Shock: | 735m/s ² 11sm |
| ■ Rated Current: | 3A |
| ■ Contact Resistance: | ≤10mΩ |
| ■ Insulation Resistance: | ≥5000MΩ |
| ■ Dielectric Strength: | 800V |
| ■ Durability: | 500 times |

Product Stereogram



FA Style

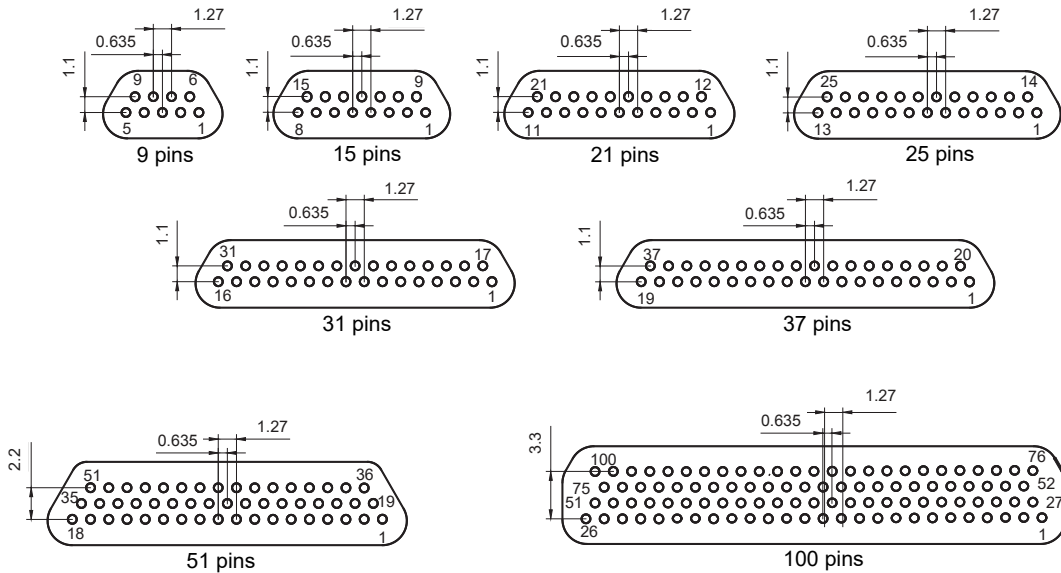


FB Style

Quanwei

DC29 Micro-D Connectors

Contact Arrangements




Mating Face of Male Connectors

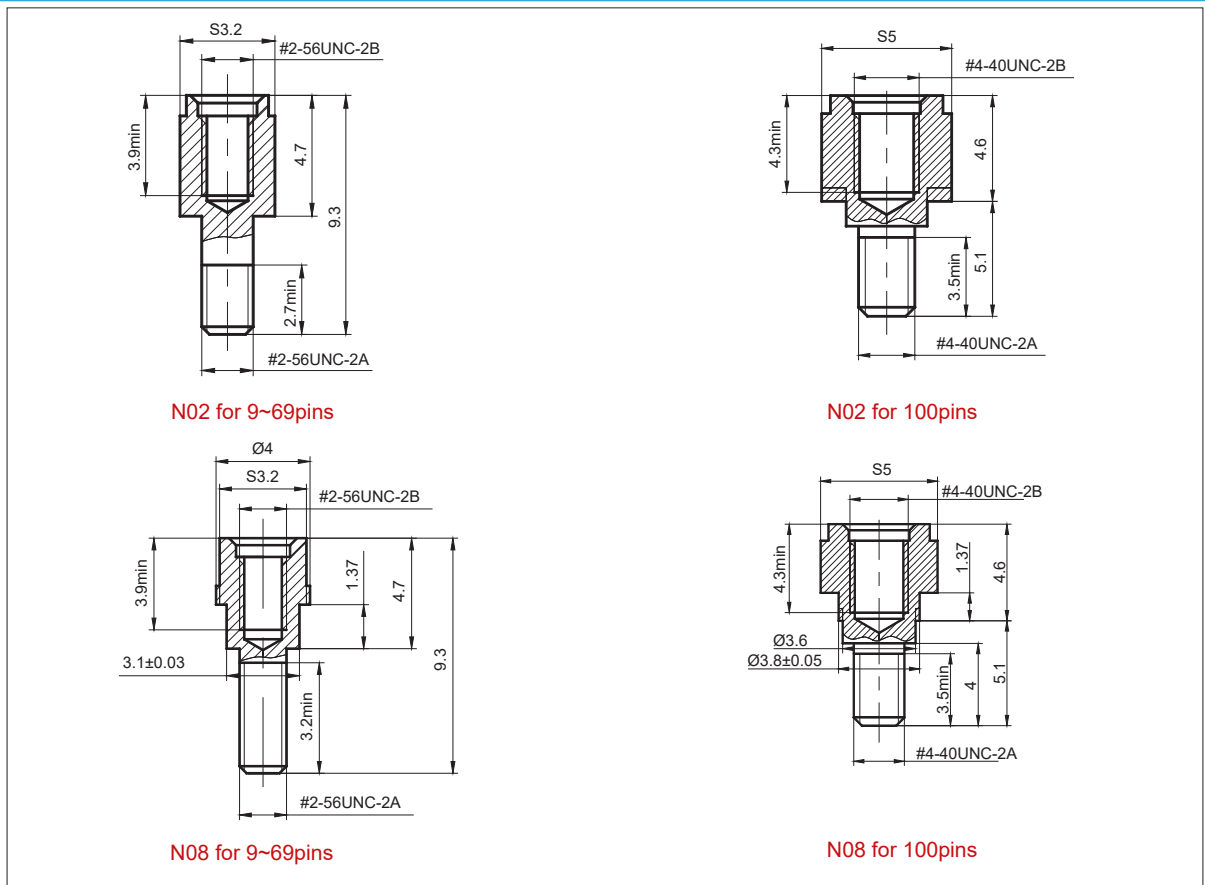
How To Order

| | | | | | | | |
|------------------------------------|--|-----|----------|--|---|-----|---|
| Sample Part Number | DC29 | -31 | PI | FB | 3 | N02 | G |
| Series: | DC29—Micro-D Connectors for MIL-DTL-83513 | | | | | | |
| Contact Number: | 9, 15, 21, 25, 31, 37, 51, 100pins | | | | | | |
| Contact Type: | PI—Pin in Plug RH—Socket in Receptacle | | | | | | |
| Termination Type: | FA Style and The PCB Layout is 2.54*2.54mm FB Style and The PCB Layout is 2.54*2.54mm | | | | | | |
| Tail Length: | 1—2.77mm 2—3.56mm | | 3—4.37mm | | | | |
| Locking Hardware: | N02—Locking Hardware Type (See page 6) | | | No Code—No Locking Hardware | | | |
| Shell Material and Finish : | G—Aluminum Shell, Cadmium Plating | | | No Code—Aluminum Shell, Nickel Plating | | | |

Locking Hardware

| Code | Feature | Panel Thickness | Stereogram | Outline Dimensions |
|------|--|----------------------|--|--------------------|
| N02 | Hex Head | / |  | Please See Below |
| N08 | 1. Hex Head 2. Rear Panel Mounting Only | $1.5^{0}_{-0.10}$ mm | | |

Outline Dimensions



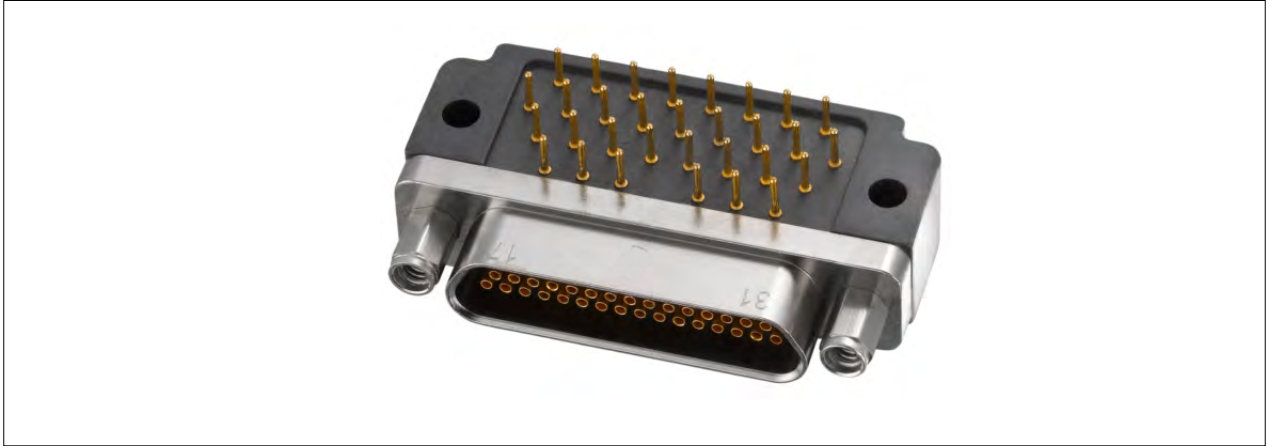
Tail Lengths

| Tail Code | Tail Length | Recommend The Thickness Of PCB |
|-----------|-------------|--------------------------------|
| 1 | 2.77 | 1.2~2.2 |
| 2 | 3.56 | 2.0~3.0 |
| 3 | 4.37 | 2.8~3.8 |

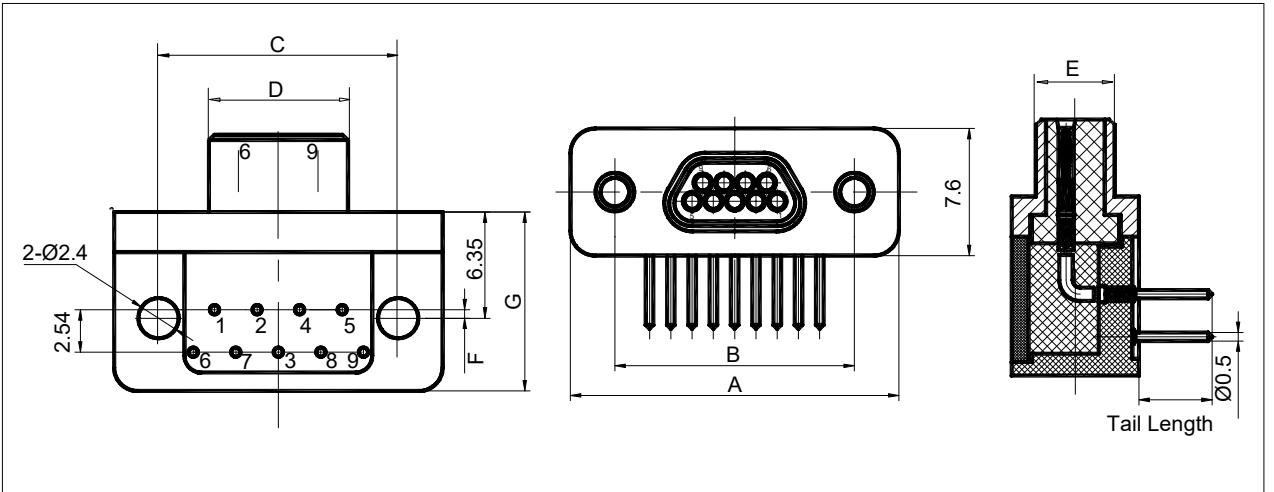
Remark: All dimensions are in mm.

DC29 Series Right Angle To PCB Connectors-FA Style

Product Stereogram



Outline Dimensions



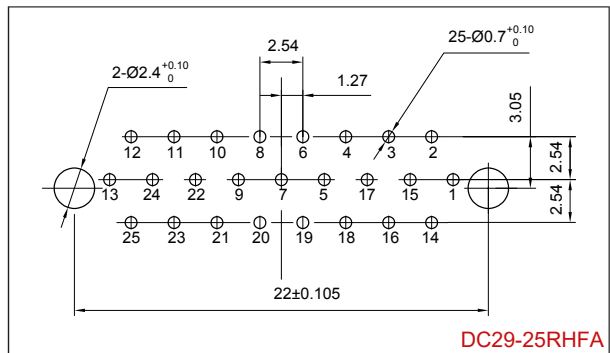
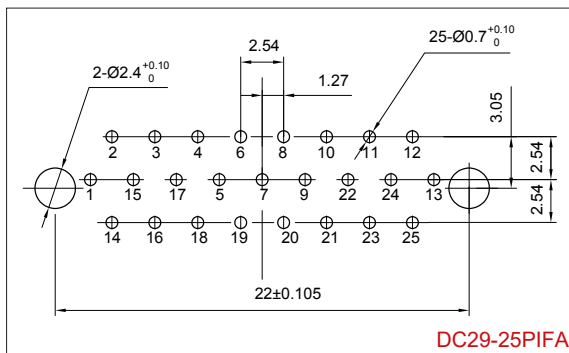
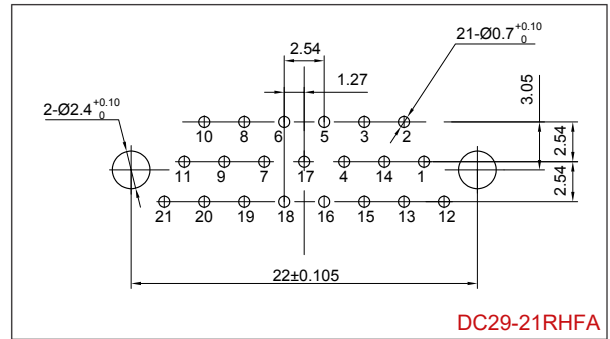
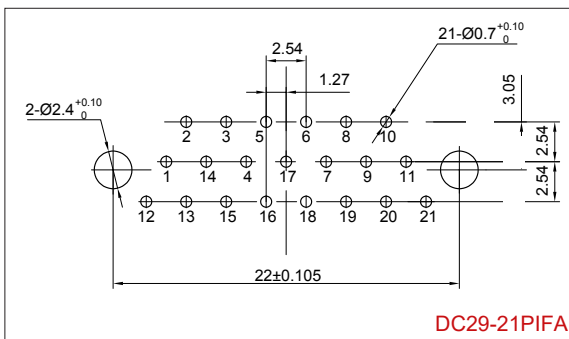
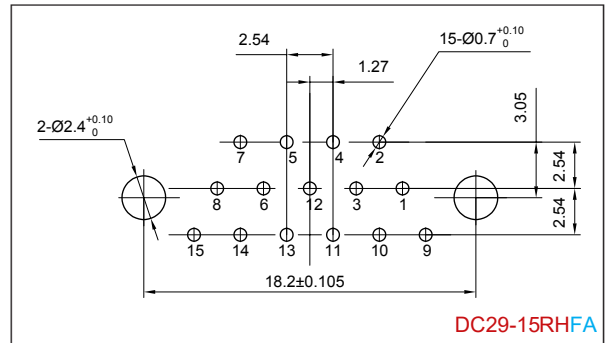
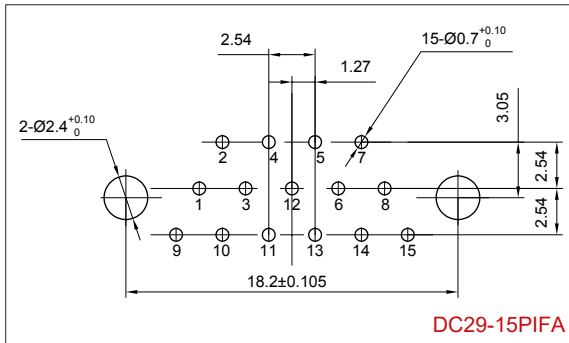
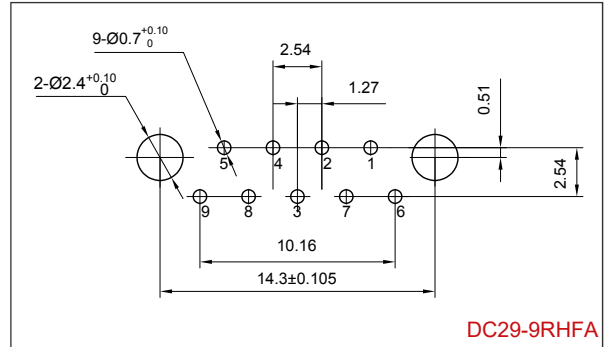
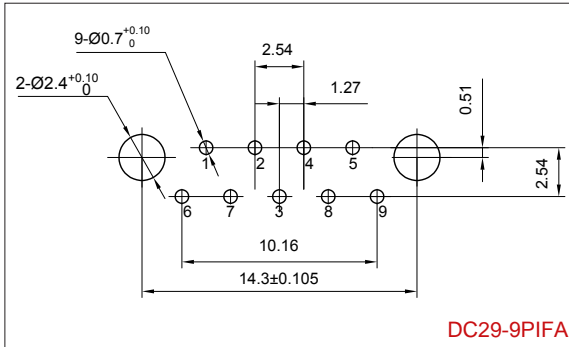
| Part Number | A | B | C | D | | E | | F | | G | |
|-------------|-------|-------|-------|-------|-------|------|------|------|------|-------|-------|
| | | | | PI | RH | PI | RH | PI | RH | PI | RH |
| DC29-9PIFA | 19.6 | 14.3 | 14.3 | 8.4 | 10.16 | 4.7 | 6.1 | 0.51 | 0.51 | 10.7 | 10.7 |
| DC29-15PIFA | 23.5 | 18.2 | 18.2 | 12.3 | 14 | 4.7 | 6.1 | 3.05 | 3.05 | 10.7 | 10.7 |
| DC29-21PIFA | 27.3 | 22 | 22 | 16.1 | 17.8 | 4.7 | 6.1 | 3.05 | 3.05 | 10.7 | 10.7 |
| DC29-25PIFA | 29.8 | 24.5 | 24.5 | 18.6 | 20.3 | 4.7 | 6.1 | 3.05 | 3.05 | 10.7 | 10.7 |
| DC29-31PIFA | 33.6 | 28.3 | 28.3 | 22.4 | 24.12 | 4.7 | 6.1 | 3.05 | 3.05 | 13.1 | 13.1 |
| DC29-37PIFA | 37.4 | 32.1 | 32 | 26.3 | 27.9 | 4.7 | 6.1 | 3.05 | 3.05 | 13.1 | 13.1 |
| DC29-51PIFA | 36.45 | 30.86 | 30.86 | 25.02 | 26.67 | 5.79 | 7.52 | 3.81 | 3.81 | 16.76 | 16.76 |

Remark: All dimensions are in mm.

DC29 Series Right Angle to PCB Connectors FA Style-PCB Layout

Plug Connectors

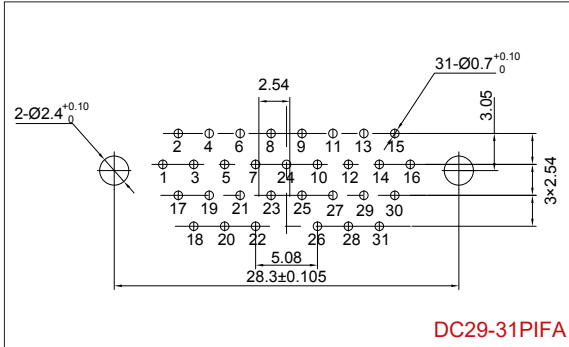
Receptacle Connectors



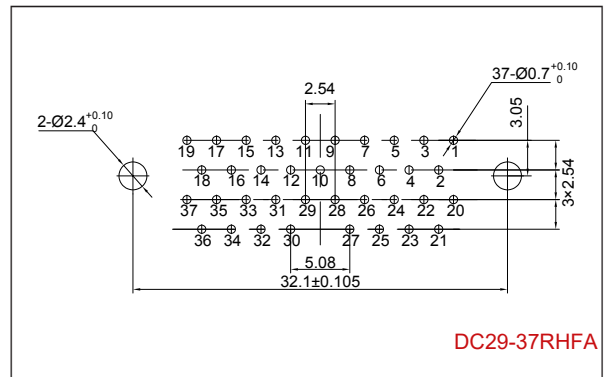
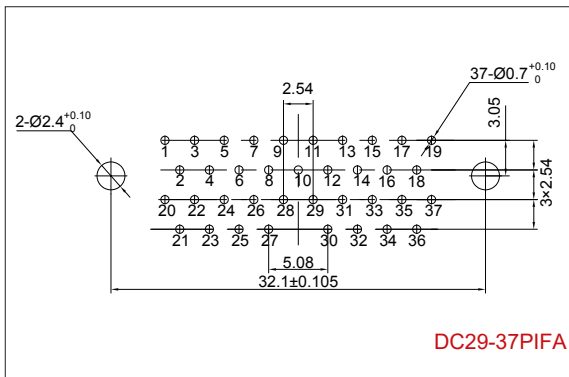
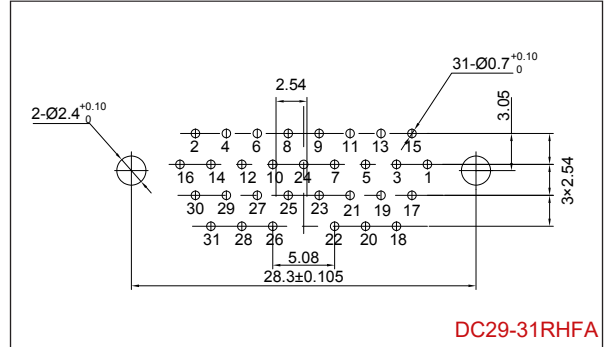
Remark: 1. All dimensions are in mm.
2. View top side from PCB board.

DC29 Series Right Angle to PCB Connectors FA Style-PCB Layout

Plug Connectors



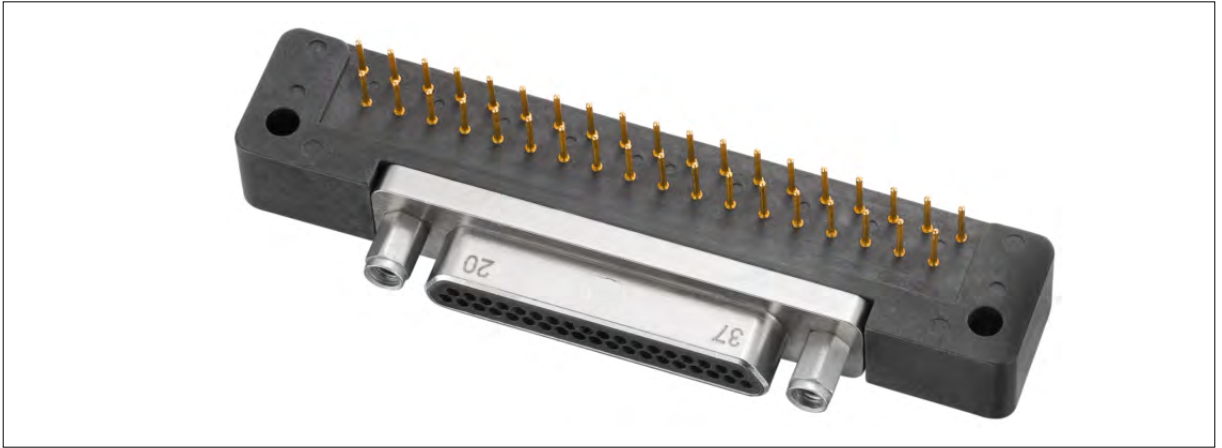
Receptacle Connectors



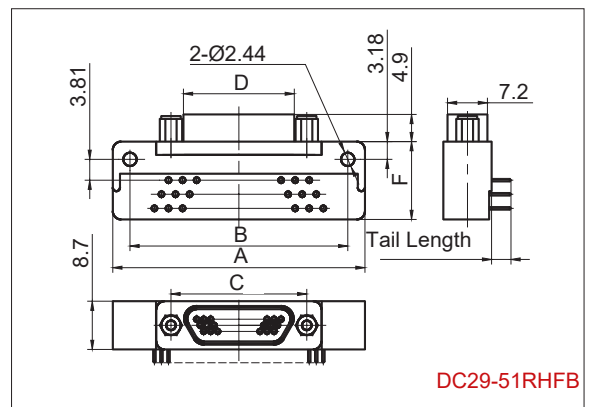
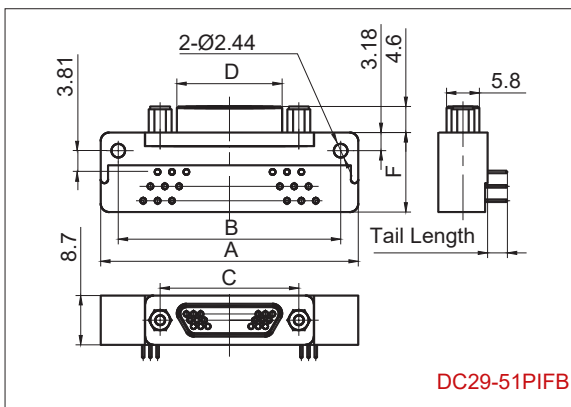
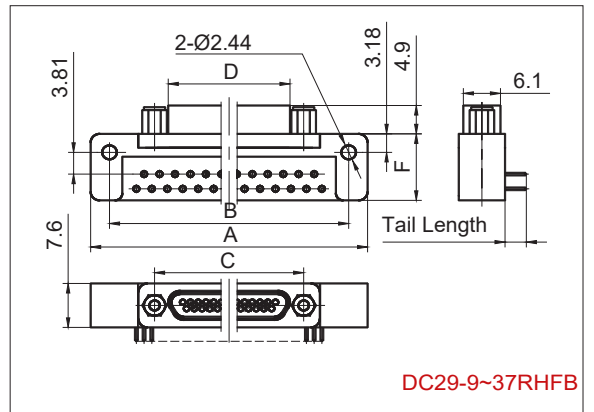
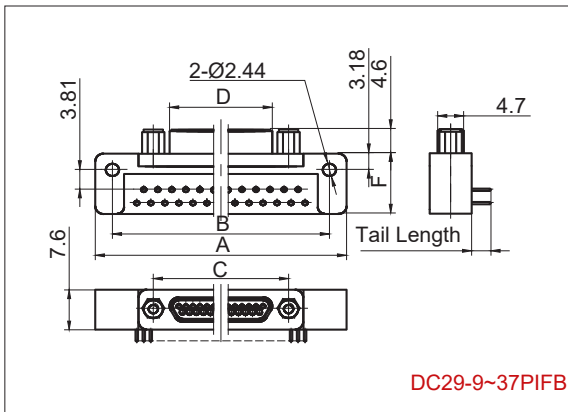
Remark: 1. All dimensions are in mm.
2. View top side from PCB board.

DC29 Series Right Angle To PCB Connectors-FB Style

Product Stereogram



Outline Dimensions

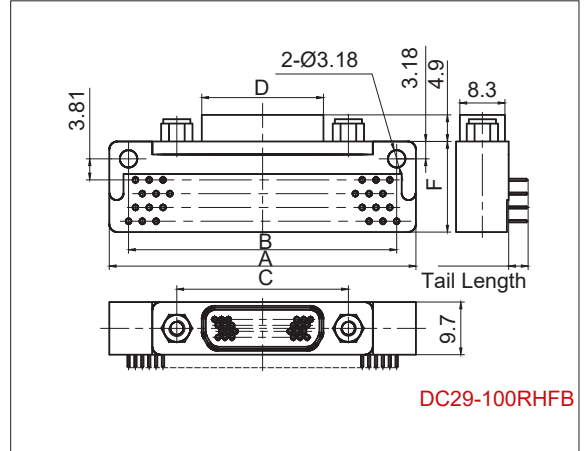
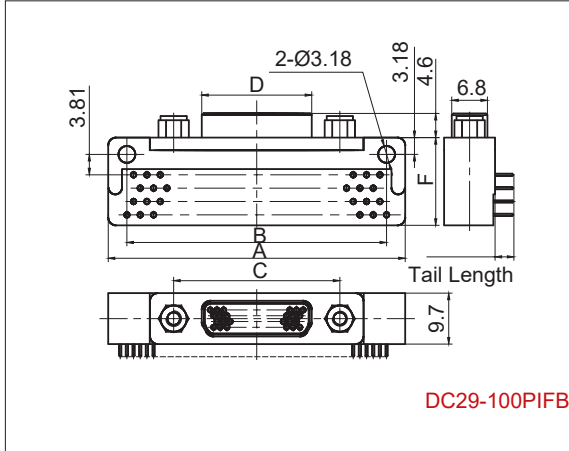


Remark 1. All dimensions are in mm.

Quanwei

DC29 Micro D Connectors

Outline Dimensions

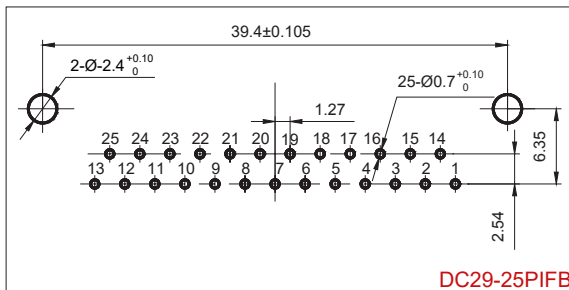
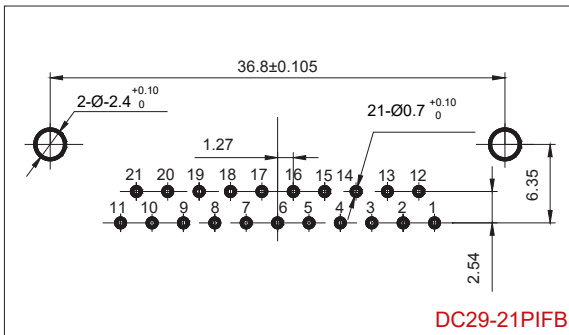
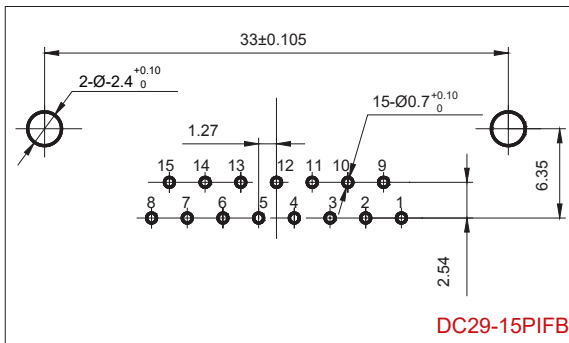
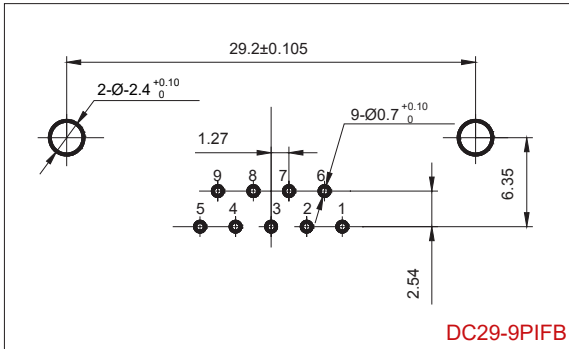


| Part Number | Outline Dimensions | | | | |
|--------------|--------------------|------|------|------|------|
| | A | B | C | D | F |
| DC29-9PIFB | 35.2 | 29.2 | 14.3 | 8.4 | 11.5 |
| DC29-15PIFB | 39 | 33 | 18.2 | 12.3 | 11.5 |
| DC29-21PIFB | 42.8 | 36.8 | 22 | 16.1 | 11.5 |
| DC29-25PIFB | 45.4 | 39.4 | 24.5 | 18.6 | 11.5 |
| DC29-31PIFB | 51.7 | 45.7 | 28.3 | 22.4 | 11.5 |
| DC29-37PIFB | 59.3 | 53.3 | 32.1 | 26.2 | 11.5 |
| DC29-51PIFB | 47.6 | 40.6 | 30.9 | 25 | 14.3 |
| DC29-100PIFB | 70.5 | 63.5 | 45.7 | 35.1 | 16.8 |
| DC29-9RHFB | 35.2 | 29.2 | 14.3 | 8.4 | 11.5 |
| DC29-15RHFB | 39 | 33 | 18.2 | 12.3 | 11.5 |
| DC29-21RHFB | 42.8 | 36.8 | 22 | 16.1 | 11.5 |
| DC29-25RHFB | 45.4 | 39.4 | 24.5 | 18.6 | 11.5 |
| DC29-31RHFB | 51.7 | 45.7 | 28.3 | 22.4 | 11.5 |
| DC29-37RHFB | 59.3 | 53.3 | 32.1 | 26.2 | 11.5 |
| DC29-51RHFB | 47.6 | 40.6 | 30.9 | 25 | 14.3 |
| DC29-100RHFB | 70.5 | 63.5 | 45.7 | 35.1 | 16.8 |

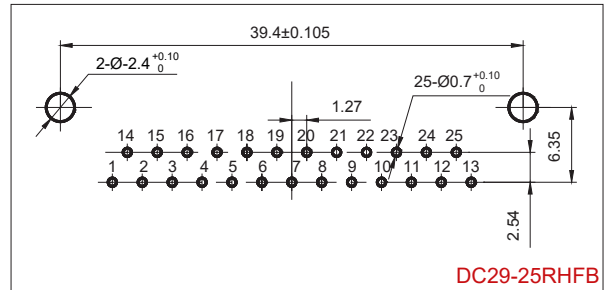
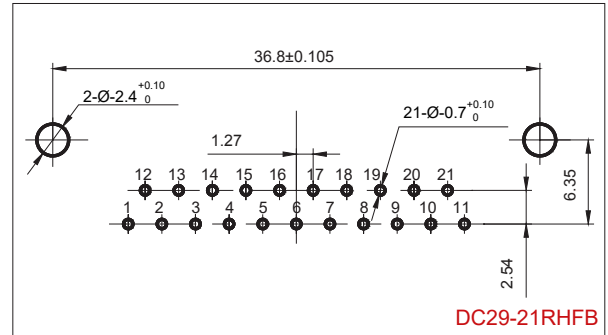
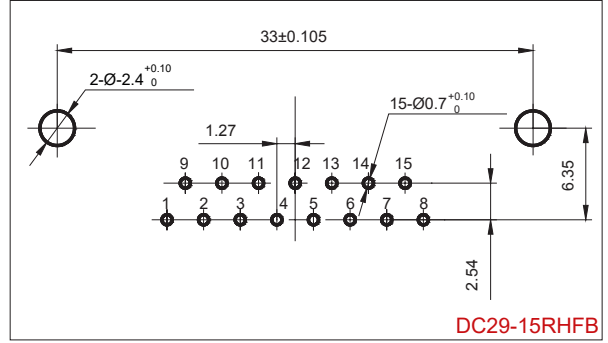
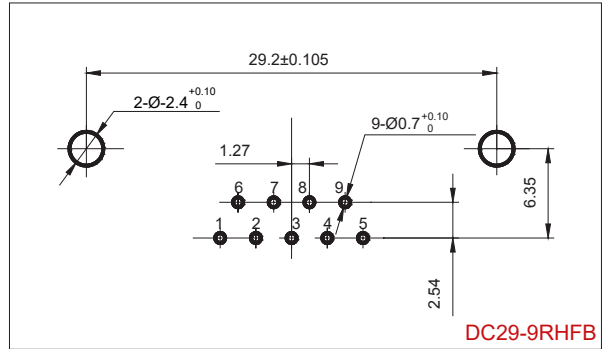
Remark: All dimensions are in mm.

DC29 Series Right Angle to PCB Connectors FB Style-PCB Layout

■ Plug Connectors



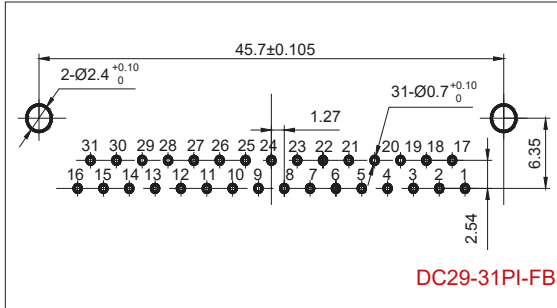
■ Receptacle Connectors



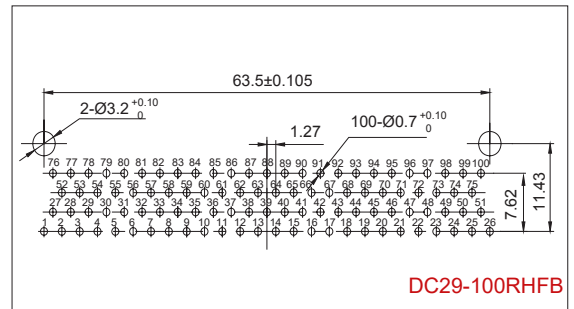
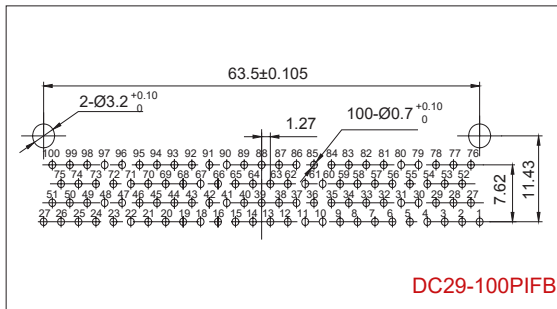
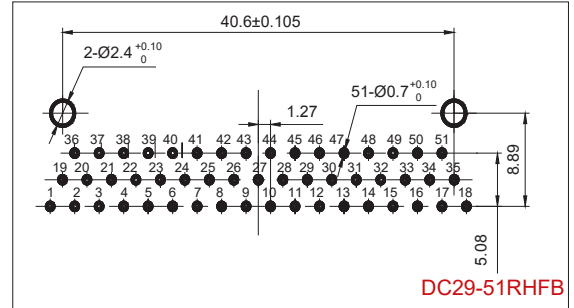
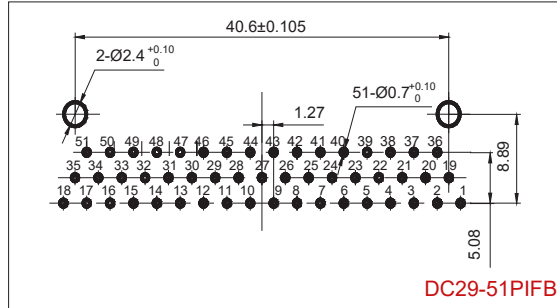
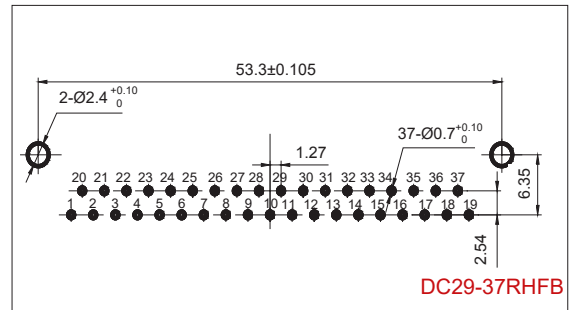
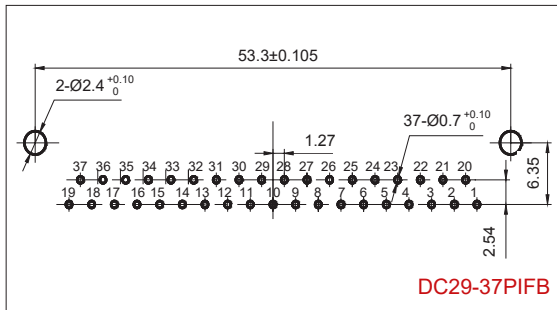
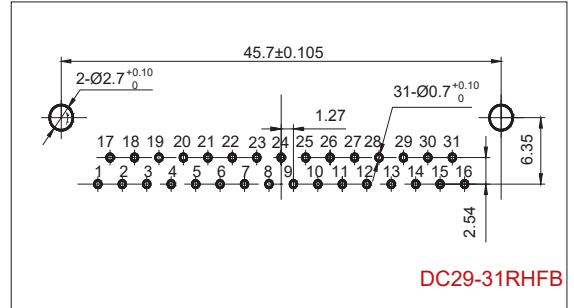
Remark: 1. All dimensions are in mm.
2. View top side from PCB board.

DC29 Series Right Angle to PCB Connectors FB Style-PCB Layout

Plug Connectors



Receptacle Connectors



Remark: 1. All dimensions are in mm.
2. View top side from PCB board.

MIL-DTL-83513 Micro-D Connectors DC29 Series Straight To PCB Connectors



Brief Introduction

- Micro-D Connectors
- Twist Pin Contacts, High Density
- Metal Shell, Nickel or Cadmium Plating
- Straight to PCB Connectors
- Meets MIL-DTL-83513

Specifications

| | |
|-----------------------------|--|
| ■ Environment Temperature : | -55°C~+125°C |
| ■ Vibration: | 10Hz~2000Hz, 196m/s ² |
| ■ Random Vibration: | Power spectrum density 0.4G ² /Hz, root mean square value of total acceleration 23.1G |
| ■ Shock: | 735m/s ² , 11sm |
| ■ Rated Current: | 3A |
| ■ Contact Resistance: | 10mΩ |
| ■ Insulation Resistance: | 5000MΩ |
| ■ Dielectric Strength: | 800V |
| ■ Durability: | 500 times |

Product Stereogram



SA Style

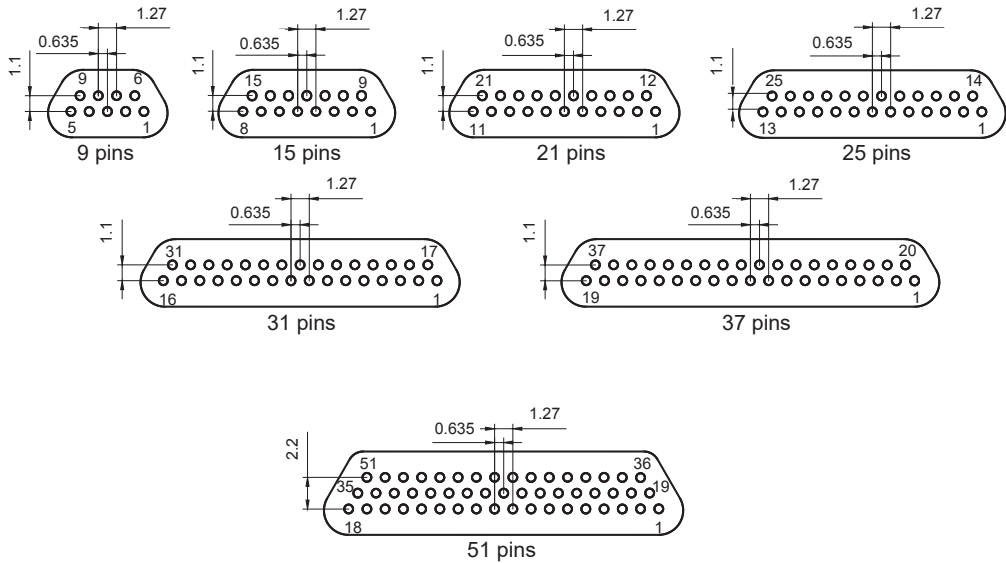


SB Style

Quanwei

DC29 Micro D Connectors

Contact Arrangements



Mating Face of Male Connectors

How To Order

Sample Part Number

DC29 -31

SA

N04

G

Series:

DC29—Micro-D Connectors for MIL-DTL-83513

Contact Number:

9, 15, 21, 25, 31, 37, 51pins

Termination Type:

SA Style and The PCB Layout is 2.54*1.91mm
 SB Style and The PCB Layout is 2.54*2.54mm

Locking Hardware:

N04—Locking Hardware Type (See page 16)

No Code—No Locking Hardware

Quanwei

DC29 Micro D Connectors

Locking Hardware

| Code | Feature | Stereogram | Outline Dimensions |
|------|---|---|---|
| N04 | <ol style="list-style-type: none"> 1. Jackpost 2. Hex Head 3. Vertical Mounting with PCB |  |  |

Remark: All dimensions are in mm.

Tail Lengths

| Tail Code | Tail Length | Recommend The Thickness Of PCB |
|-----------|-------------|--------------------------------|
| 1 | 2.77 | 1.2~2.2 |
| 2 | 3.56 | 2.0~3.0 |
| 3 | 4.37 | 2.8~3.8 |

Remark: All dimensions are in mm.

Quanwei

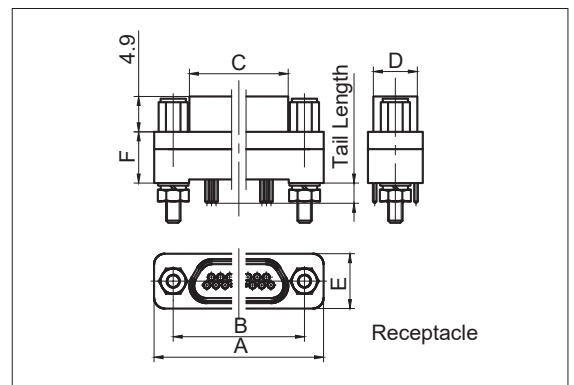
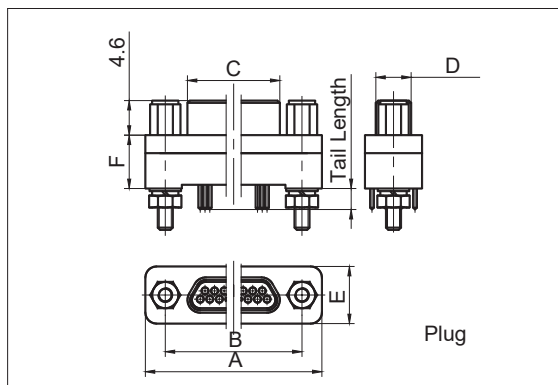
DC29 Micro D Connectors

DC29 Series Straight To PCB Connectors-SA Style

Product Stereogram



Outline Dimensions

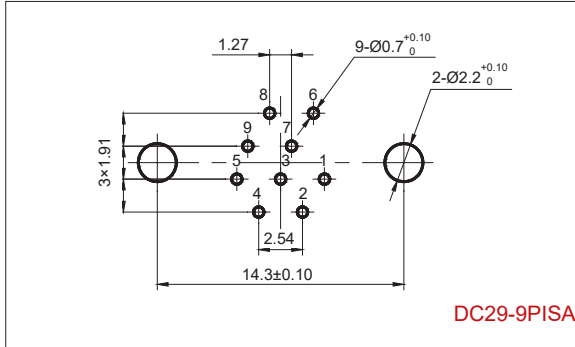


| Part Number | Outline Dimensions | | | | | |
|-------------|--------------------|------|------|-----|-----|-----|
| | A | B | C | D | E | F |
| DC29-9PISA | 19.6 | 14.3 | 8.4 | 4.7 | 7.6 | 7.1 |
| DC29-15PISA | 23.8 | 18.2 | 12.3 | 4.7 | 7.6 | 7.1 |
| DC29-21PISA | 27.3 | 22 | 16.1 | 4.7 | 7.6 | 7.1 |
| DC29-25PISA | 29.8 | 24.5 | 18.6 | 4.7 | 7.6 | 7.1 |
| DC29-31PISA | 33.6 | 28.3 | 22.4 | 4.7 | 7.6 | 7.1 |
| DC29-37PISA | 37.4 | 32.1 | 26.2 | 4.7 | 7.6 | 7.1 |
| DC29-51PISA | 36.5 | 30.9 | 25 | 5.8 | 8.7 | 8.2 |
| DC29-9RHSA | 19.6 | 14.3 | 9.9 | 6.1 | 7.6 | 7.1 |
| DC29-15RHSA | 23.5 | 18.2 | 13.7 | 6.1 | 7.6 | 7.1 |
| DC29-21RHSA | 27.3 | 22 | 17.5 | 6.1 | 7.6 | 7.1 |
| DC29-25RHSA | 29.8 | 24.5 | 20.1 | 6.1 | 7.6 | 7.1 |
| DC29-31RHSA | 33.6 | 28.3 | 23.9 | 6.1 | 7.6 | 7.1 |
| DC29-37RHSA | 37.4 | 32.1 | 27.7 | 6.1 | 7.6 | 7.1 |
| DC29-51RHSA | 36.5 | 30.9 | 26.7 | 7.2 | 8.7 | 8.2 |

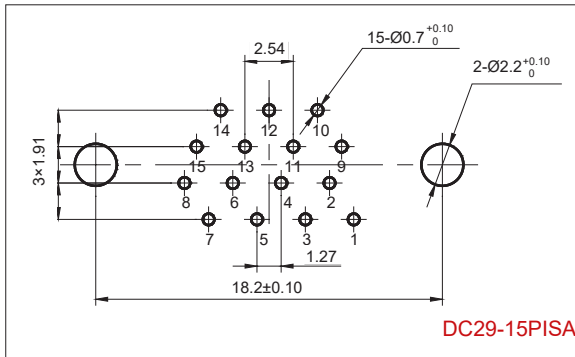
Remark: All dimensions are in mm.

DC29 Series Straight to PCB Connectors SA Style-PCB Layout

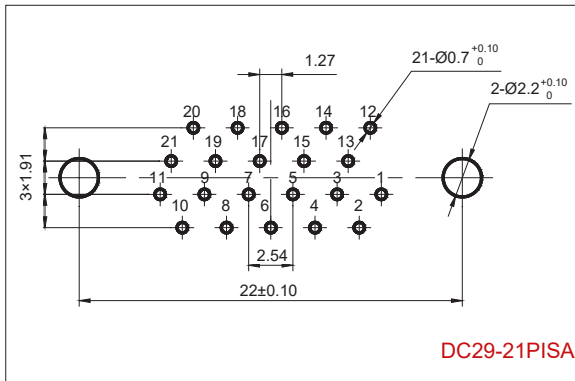
Plug Connectors



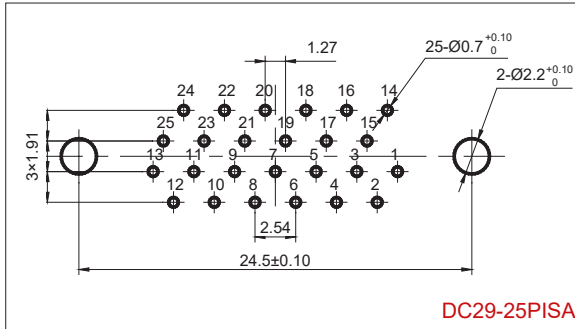
DC29-9PISA



DC29-15PISA



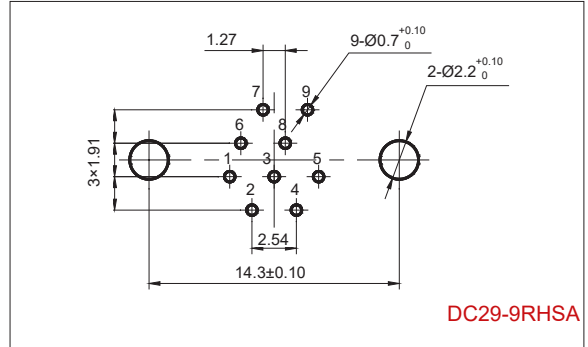
DC29-21PISA



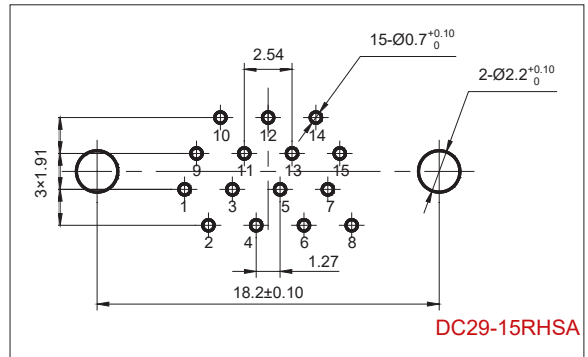
DC29-25PISA

Remark: 1. All dimensions are in mm.
2. View top side from PCB board.

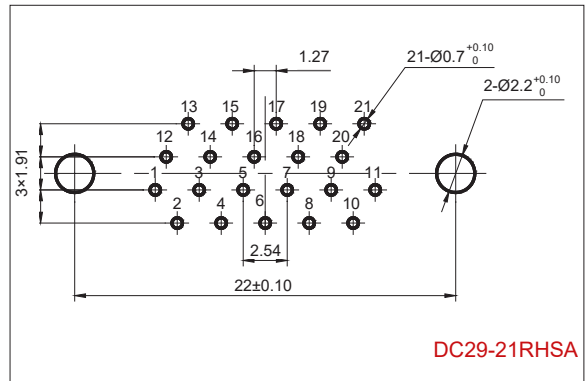
Receptacle Connectors



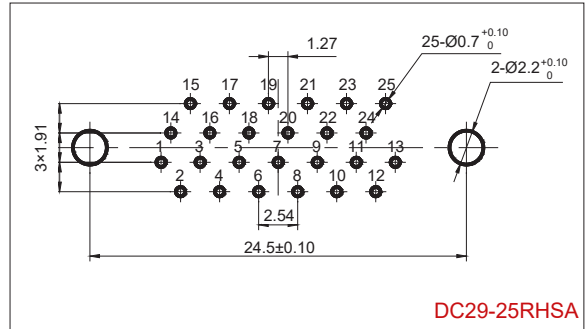
DC29-9RHSA



DC29-15RHSA



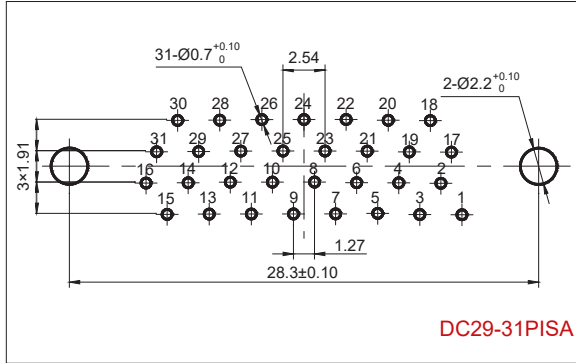
DC29-21RHSA



DC29-25RHSA

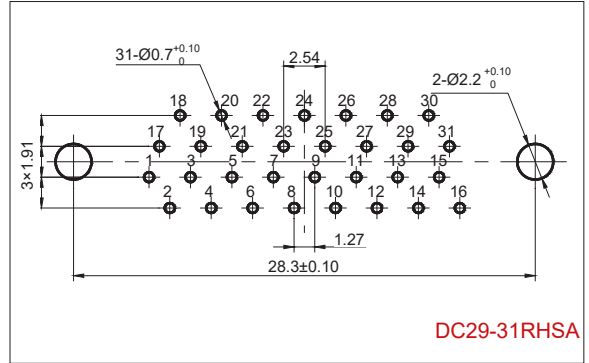
DC29 Series Right Angle to PCB Connectors SA Style-PCB Layout

■ Plug Connectors

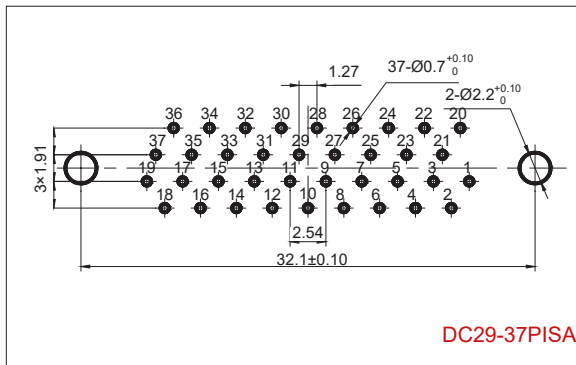


DC29-31PISA

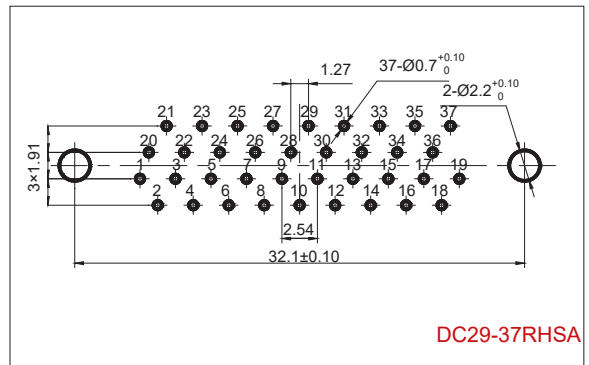
■ Receptacle Connectors



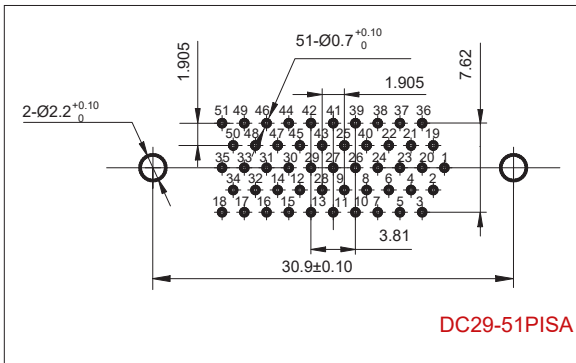
DC29-31RHSA



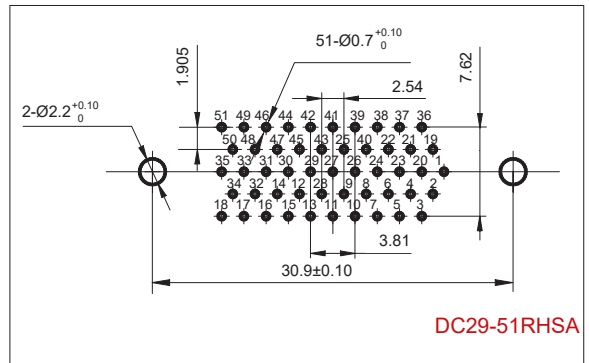
DC29-37PISA



DC29-37RHSA



DC29-51PISA



DC29-51RHSA

Remark: 1. All dimensions are in mm.
2. View top side from PCB board.

Quanwei

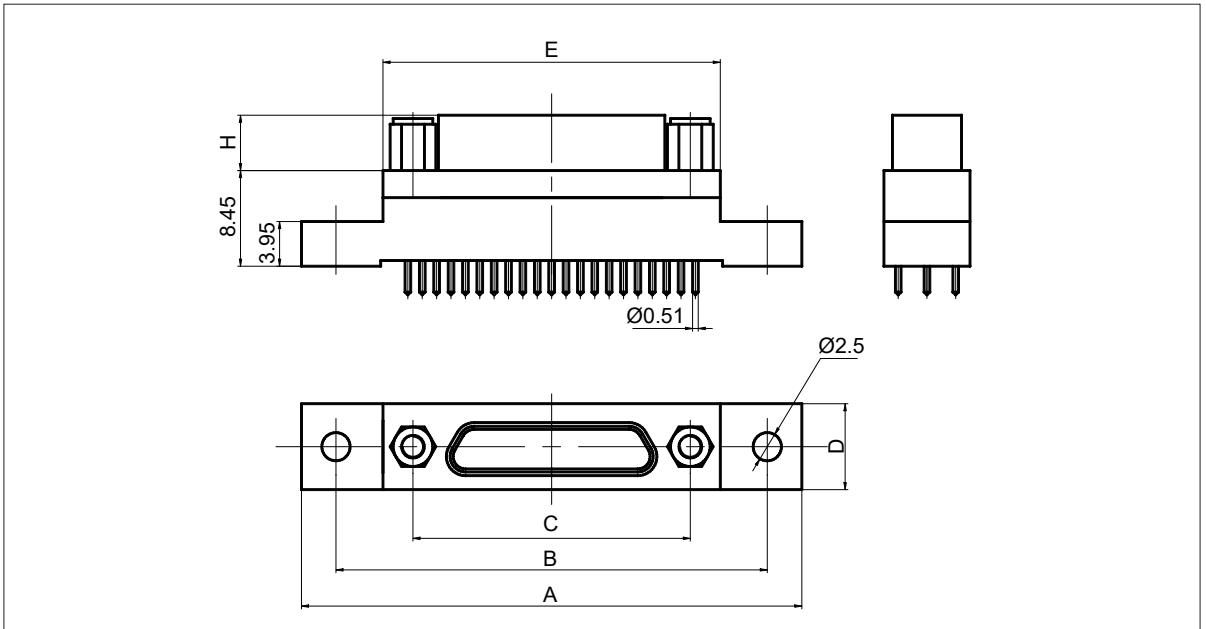
DC29 Micro D Connectors

DC29 Series Straight To PCB Connectors-SB Style

Product Stereogram



Outline Dimensions



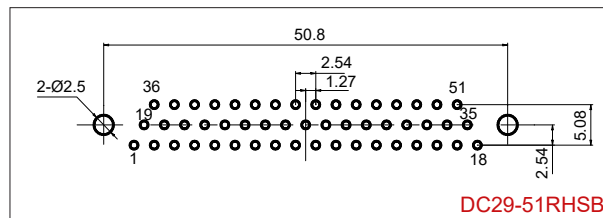
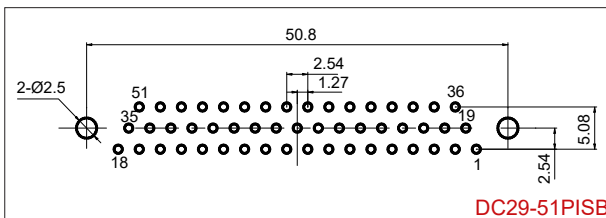
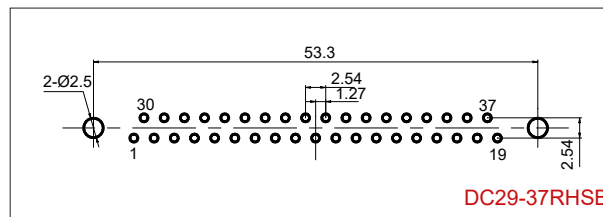
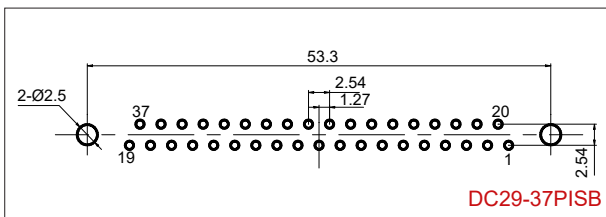
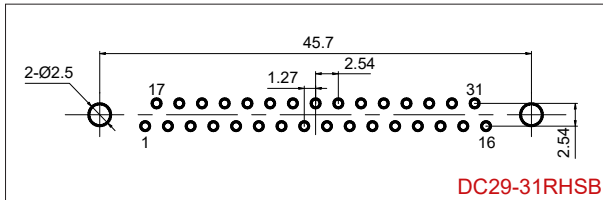
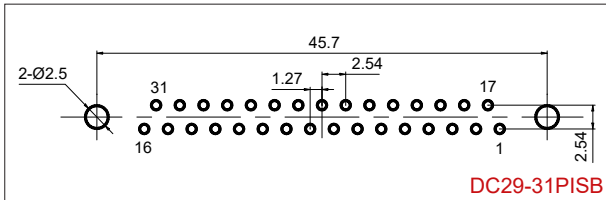
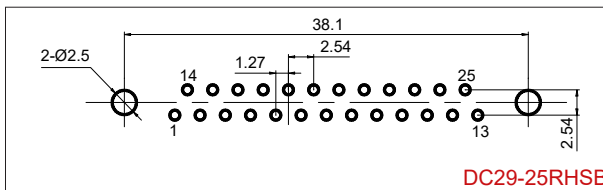
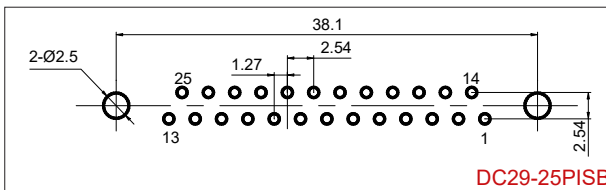
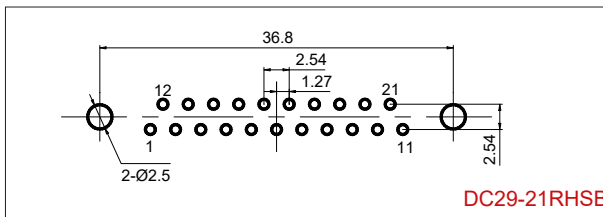
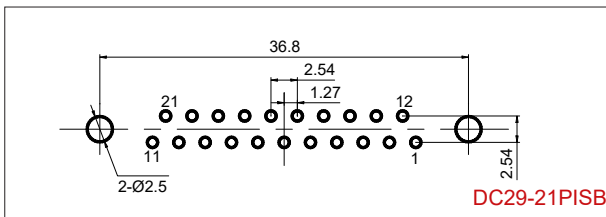
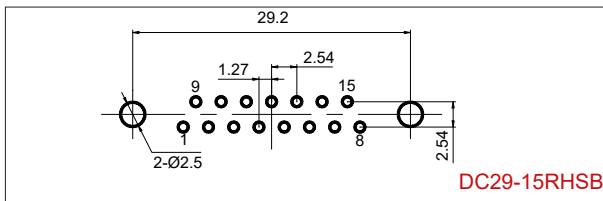
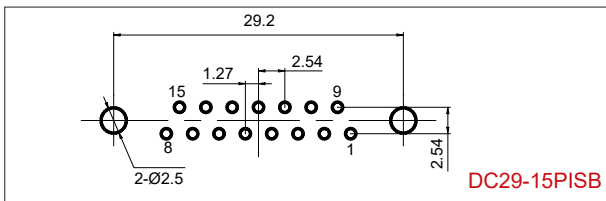
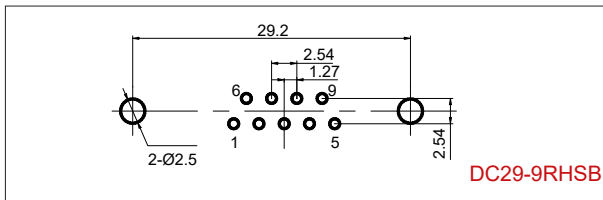
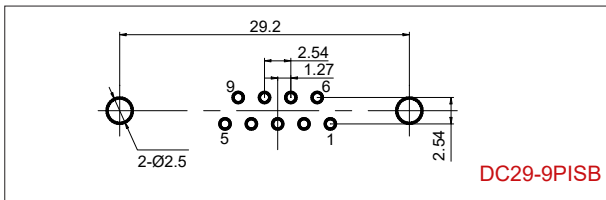
| Part Number | Outline Dimensions | | | | | | |
|-------------|--------------------|-------|-------|-----|------|-----|-----|
| | A | B | C | D | E | H | |
| | | | | | | PI | RH |
| DC29-9PISB | 35.31 | 29.21 | 14.35 | 7.9 | 20.1 | 4.6 | 4.9 |
| DC29-15PISB | 35.31 | 29.21 | 18.16 | 7.9 | 23.9 | 4.6 | 4.9 |
| DC29-21PISB | 42.93 | 36.83 | 21.97 | 7.9 | 30.0 | 4.6 | 4.9 |
| DC29-25PISB | 44.2 | 38.1 | 24.51 | 7.9 | 32.4 | 4.6 | 4.9 |
| DC29-31PISB | 51.82 | 45.72 | 28.32 | 7.9 | 40.0 | 4.6 | 4.9 |
| DC29-37PISB | 59.44 | 53.34 | 32.13 | 7.9 | 47.6 | 4.6 | 4.9 |
| DC29-51PISB | 57.64 | 50.8 | 30.86 | 8.9 | 45.1 | 4.6 | 4.9 |

Remark: All dimensions are in mm.

DC29 Series Right Angle to PCB Connectors SB Style-PCB Layout

Plug Connectors

Receptacle Connectors



Remark: 1. All dimensions are in mm.

2. View top side from PCB board.

MIL-DTL-83513 Micro-D Connectors DC29 Series Solder Cup Connectors



Brief Introduction

- Micro-D Connectors
- Twist Pin Contacts, High Density
- Metal Shell, Nickel or Cadmium Plating
- Solder Cup Connectors
- Meets MIL-DTL-83513

Specifications

| | |
|----------------------------|--|
| ■ Environment Temperature: | -55 °C ~ 125 °C |
| ■ Vibration: | 10Hz~2000Hz, 196m/s ² |
| ■ Random Vibration: | Power spectrum density 0.4G ² /Hz, root mean square value of total acceleration 23.1G |
| ■ Shock: | 735m/s ² 11sm |
| ■ Rated Current: | 3A |
| ■ Contact Resistance: | ≤10mΩ |
| ■ Insulation Resistance: | ≥5000MΩ |
| ■ Dielectric Strength: | 800V |
| ■ Durability: | 500 times |

Product Stereogram



Plug

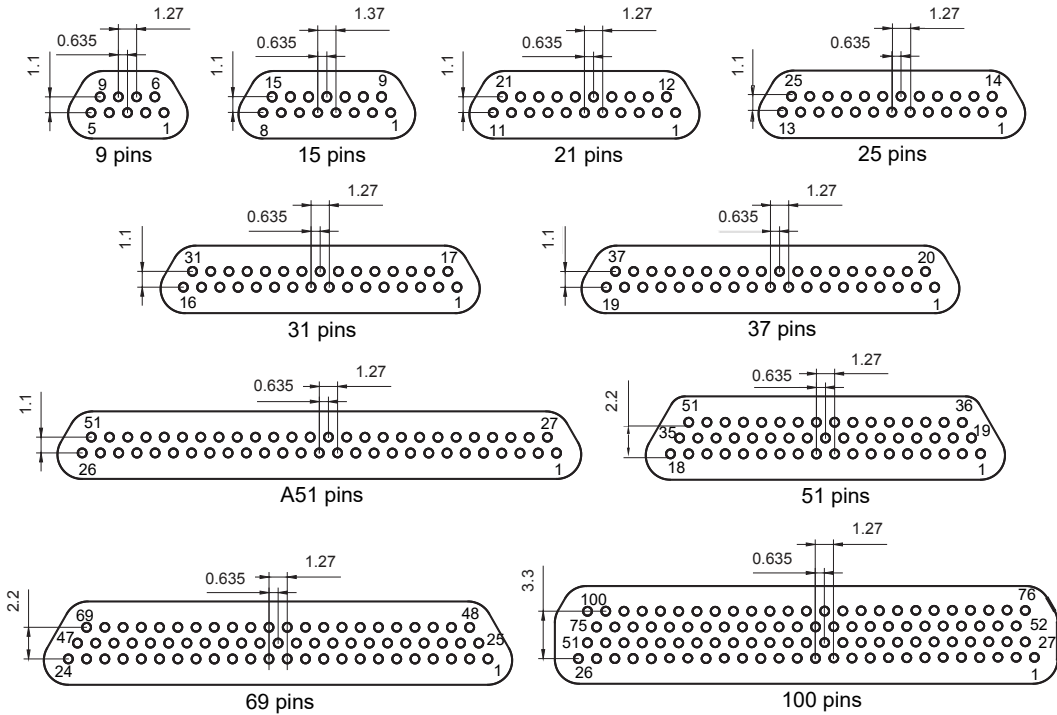


Receptacle

Quanwei

DC29 Micro D Connectors

Contact Arrangements



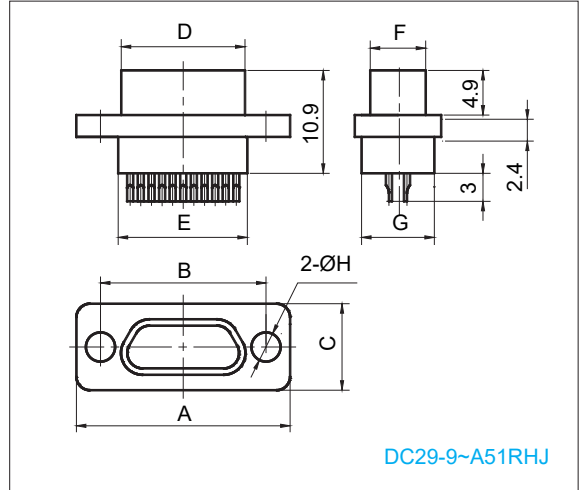
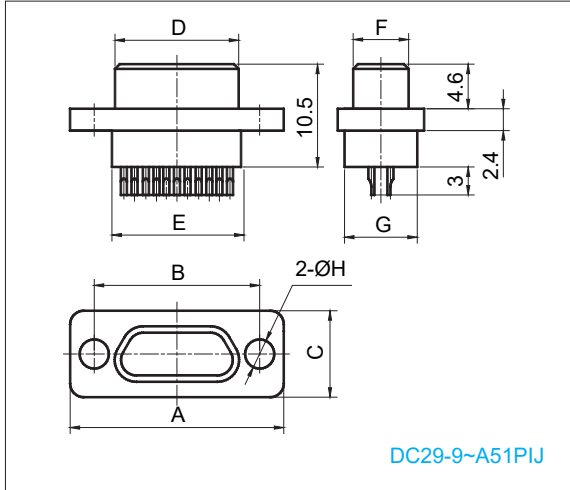
Mating Face of Male Connectors

How To Order

| | | | | | | | |
|---|-------------|------------|-----------|----------|------------|----------|-----------|
| Sample Part Number | DC29 | -31 | PI | J | B01 | G | AB |
| Series: DC29—Micro-D Connectors for MIL-DTL-83513 | | | | | | | |
| Contact Number: 9, 15, 21, 25, 31, 37, A51, 51, 69, 100pins | | | | | | | |
| Contact Type: PI—Pin in Plug RH—Socket in Receptacle | | | | | | | |
| Tail Termination Style: J—Solder Cup | | | | | | | |
| Locking Hardware Type: B01—Locking Hardware Type (See page 26 to 30) No Code—No Locking Hardware | | | | | | | |
| Shell Material and Finish : G—Aluminum Shell, Cadmium Plating No Code—Aluminum Shell, Nickel Plating | | | | | | | |
| Backshell Type: AB—Backshell Type (See page 31 to 33) No Code—No Backshell | | | | | | | |

DC29 Series Solder Cup Connectors

Outline Dimensions

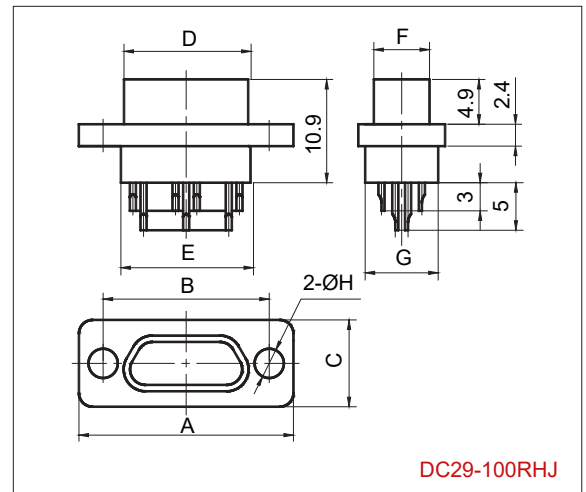
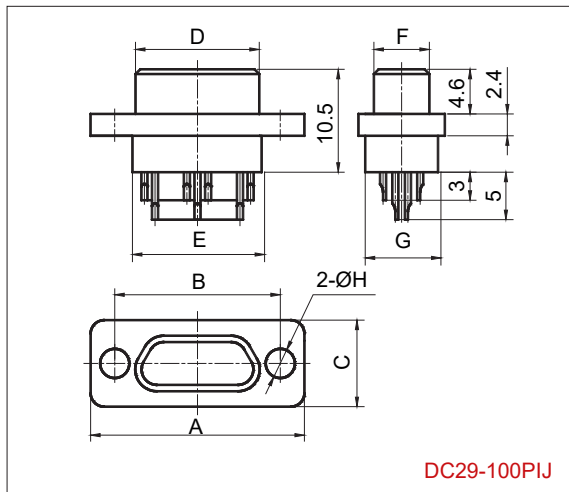
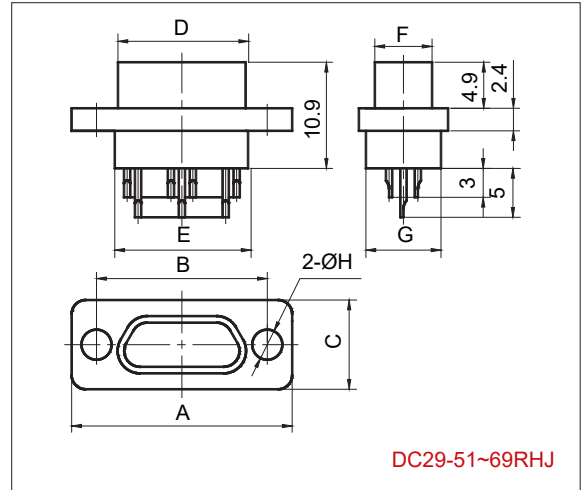
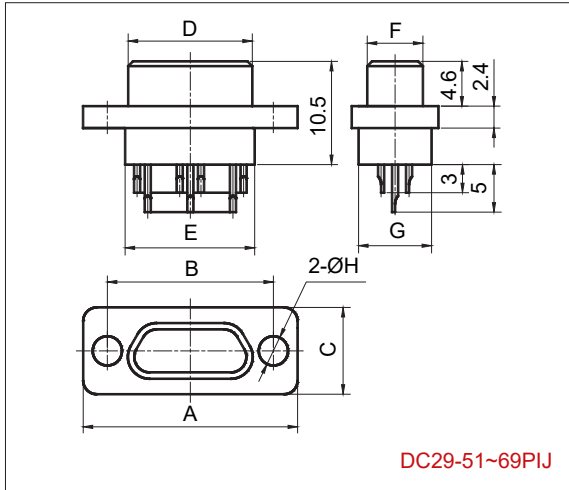


| Part Number | Outline Dimensions | | | | | | | |
|-------------|--------------------|------|-----|------|------|-----|-----|------|
| | A | B | C | D | E | F | G | H |
| DC29-9PIJ | 19.6 | 14.3 | 7.6 | 8.4 | 9.9 | 4.7 | 6.8 | 2.31 |
| DC29-15PIJ | 23.5 | 18.2 | 7.6 | 12.3 | 13.8 | 4.7 | 6.8 | 2.31 |
| DC29-21PIJ | 27.3 | 22 | 7.6 | 16.1 | 17.6 | 4.7 | 6.8 | 2.31 |
| DC29-25PIJ | 29.8 | 24.5 | 7.6 | 18.6 | 20.2 | 4.7 | 6.8 | 2.31 |
| DC29-31PIJ | 33.6 | 28.3 | 7.6 | 22.4 | 24 | 4.7 | 6.8 | 2.31 |
| DC29-37PIJ | 37.4 | 32.1 | 7.6 | 26.2 | 27.8 | 4.7 | 6.8 | 2.31 |
| DC29-A51PIJ | 46.3 | 41 | 7.6 | 35 | 36.7 | 4.7 | 6.8 | 2.31 |
| DC29-9RHJ | 19.6 | 14.3 | 7.6 | 9.9 | 9.9 | 6.1 | 6.8 | 2.31 |
| DC29-15RHJ | 23.5 | 18.2 | 7.6 | 13.7 | 13.8 | 6.1 | 6.8 | 2.31 |
| DC29-21RHJ | 27.3 | 22 | 7.6 | 17.5 | 17.6 | 6.1 | 6.8 | 2.31 |
| DC29-25RHJ | 29.8 | 24.5 | 7.6 | 20.1 | 20.2 | 6.1 | 6.8 | 2.31 |
| DC29-31RHJ | 33.6 | 28.3 | 7.6 | 23.9 | 24 | 6.1 | 6.8 | 2.31 |
| DC29-37RHJ | 37.4 | 32.1 | 7.6 | 27.7 | 27.8 | 6.1 | 6.8 | 2.31 |
| DC29-A51RHJ | 46.3 | 41 | 7.6 | 36.5 | 36.7 | 6.1 | 6.8 | 2.31 |

Remark: All dimensions are in mm.

DC29 Series Solder Cup Connectors

Outline Dimensions



| Part Number | Outline Dimensions | | | | | | | |
|-------------|--------------------|------|-----|------|------|-----|-----|------|
| | A | B | C | D | E | F | G | H |
| DC29-51PIJ | 36.2 | 30.9 | 8.7 | 25 | 26.6 | 5.8 | 7.9 | 2.31 |
| DC29-69PIJ | 43.8 | 38.5 | 8.7 | 32.6 | 34.2 | 5.8 | 7.9 | 2.31 |
| DC29-100PIJ | 54.7 | 45.7 | 9.7 | 35.1 | 36.6 | 6.8 | 9.1 | 3.7 |
| DC29-51RHJ | 36.2 | 30.9 | 8.7 | 26.5 | 26.6 | 7.2 | 7.9 | 2.31 |
| DC29-69RHJ | 43.8 | 38.5 | 8.7 | 34.1 | 34.2 | 7.2 | 7.9 | 2.31 |
| DC29-100RHJ | 54.7 | 45.7 | 9.7 | 36.6 | 36.6 | 8.3 | 9.1 | 3.7 |

Remark: All dimensions are in mm.

Locking Hardware

| Code | Feature | Outline Dimensions | |
|------|--|--------------------|---------|
| | | 9~69pins | 100pins |
| B01 | <ol style="list-style-type: none"> Removable Short Jackscrew with A Retainer Ring Hex Head | | |
| B02 | <ol style="list-style-type: none"> Removable Short Jackscrew with A Retainer Ring Slot Head | | |
| B03 | <ol style="list-style-type: none"> Removable Long Jackscrew with A Retainer Ring Hex Head | | |
| B04 | <ol style="list-style-type: none"> Removable Long Jackscrew with A Retainer Ring Slot Head | | |

Remark: All dimensions are in mm.

Locking Hardware

| Code | Feature | Outline Dimensions | |
|------|--|--------------------|---------|
| | | 9~69pins | 100pins |
| B05 | <ol style="list-style-type: none"> Removable Short Jackscrew with A Retainer Ring Hex Head For Connectors with AA, AB, AC, AD or AG Type Backshells | | |
| B06 | <ol style="list-style-type: none"> Removable Short Jackscrew with A Retainer Ring Slot Head For Connectors with AA, AB, AC, AD or AG Type Backshells | | |
| B07 | <ol style="list-style-type: none"> Removable Long Jackscrew with A Retainer Ring Hex Head For Connectors with AA, AB, AC, AD or AG Type Backshells | | |
| B08 | <ol style="list-style-type: none"> Removable Long Jackscrew with A Retainer Ring Slot Head For Connectors with AA, AB, AC, AD or AG Type Backshells | | |

Remark: All dimensions are in mm.

Locking Hardware

| Code | Feature | Outline Dimensions | |
|------|--|--------------------|---------|
| | | 9~69pins | 100pins |
| B10 | <ol style="list-style-type: none"> 1. Removable 2. Short Jackscrew with A Retainer Ring 3. Hex Head 4. For Connectors with AH or AJ Type Backshells | | |
| B11 | <ol style="list-style-type: none"> 1. Removable 2. Short Jackscrew with A Retainer Ring 3. Slot Head 4. For Connectors with AH or AJ Type Backshells | | |
| B12 | <ol style="list-style-type: none"> 1. Removable 2. Long Jackscrew with A Retainer Ring 3. Hex Head 4. For Connectors with AH or AJ Type Backshells | | |
| B13 | <ol style="list-style-type: none"> 1. Removable 2. Slot Long Jackscrew with A Retainer Ring 3. Slot Head 4. For Connectors with AH or AJ Type Backshells | | |

Remark: All dimensions are in mm.

Locking Hardware

| Code | Feature | Outline Dimensions | |
|------|---|--------------------|---------|
| | | 9~69pins | 100pins |
| S01 | <ol style="list-style-type: none"> 1. Non-Removable 2. Short Jackscrew with A Retainer Sleeve 3. Hex Head | | |
| S02 | <ol style="list-style-type: none"> 1. Non-Removable 2. Short Jackscrew with A Retainer Sleeve 3. Slot Head | | |
| S03 | <ol style="list-style-type: none"> 1. Non-Removable 2. Long Jackscrew with A Retainer Sleeve 3. Hex Head | | |
| S04 | <ol style="list-style-type: none"> 1. Non-Removable 2. Long Jackscrew with A Retainer Sleeve 3. Slot Head | | |



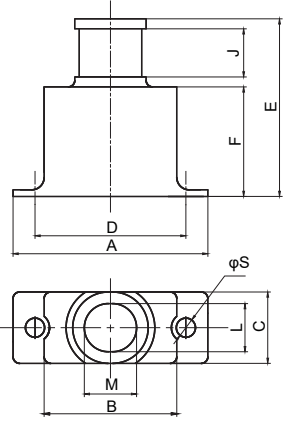

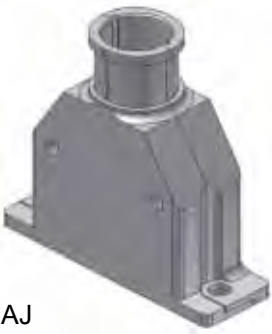

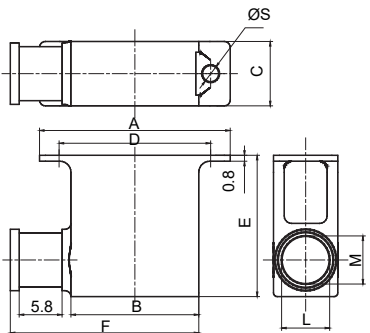
Remark: All dimensions are in mm.

Locking Hardware

| Code | Feature | Outline Dimensions | |
|------|---|--------------------|---------|
| | | 9~69pins | 100pins |
| N01 | <ol style="list-style-type: none"> Hex Head Jackpost For Front Panel Mounting Panel Thickness is Not More Than 2mm | | |
| N06 | <ol style="list-style-type: none"> Hex Head Jackpost For Connectors with Backshells | | |
| N07 | <ol style="list-style-type: none"> Hex Head Jackpost For Front Panel Mounting Panel Thickness is Not More Than 5mm | | |

Remark: All dimensions are in mm.

Backshells

| Stereogram & Feature | | Outline Dimensions |
|---|---|--|
|  <p>AB</p> <p>AB Style: One-Piece, Standard Type</p> |  <p>AC</p> <p>AC Style: One-Piece, Wide Entry</p> |  |
|  <p>AD</p> <p>AD Style: Two-Piece, Elongated Type</p> |  <p>AJ</p> <p>AJ Style: Two-Piece, Non-Skid and Elongated Type</p> | |
|  <p>AG</p> <p>AG Style: One-Piece, Standard Type with 90° Entry</p> |  | |

Remark: All dimensions are in mm.

Outline Dimensions Of Backshells

| Part Number | Outline Dimensions | | | | | | | | | |
|-------------|--------------------|------|-----|------|------|------|-----|------|-----|------|
| | A | B | C | D | E | F | J | ØS | L | M |
| DC29-9-AB | 19.6 | 11.2 | 8.7 | 14.3 | 21.4 | 13.2 | 5.8 | 2.31 | - | 4.7 |
| DC29-15-AB | 23.5 | 15 | 8.7 | 18.2 | 21.4 | 13.2 | 5.8 | 2.31 | - | 5.8 |
| DC29-21-AB | 27.3 | 18.8 | 8.7 | 22 | 21.4 | 13.2 | 5.8 | 2.31 | - | 6.5 |
| DC29-25-AB | 29.8 | 21.4 | 8.7 | 24.5 | 21.4 | 13.2 | 5.8 | 2.31 | 6.7 | 7.8 |
| DC29-31-AB | 33.6 | 25.2 | 8.7 | 28.3 | 21.4 | 13.2 | 5.8 | 2.31 | 6.7 | 8.3 |
| DC29-37-AB | 37.4 | 29 | 8.7 | 32.1 | 21.4 | 13.2 | 5.8 | 2.31 | 6.7 | 9.5 |
| DC29-A51-AB | 46.3 | 37.9 | 8.7 | 41 | 21.4 | 13.2 | 5.8 | 2.31 | 6.7 | 13 |
| DC29-51-AB | 36.2 | 27.8 | 9.7 | 30.9 | 23.7 | 15.5 | 5.8 | 2.31 | 7.5 | 11.9 |
| DC29-69-AB | 43.8 | 35.4 | 9.7 | 38.5 | 23.7 | 15.5 | 5.8 | 2.31 | 7.5 | 15.7 |
| DC29-100-AB | 54.7 | 38.7 | 11 | 45.7 | 24.2 | 16 | 5.8 | 3.7 | 8.7 | 17.4 |
| DC29-9-AC | 19.6 | 11.2 | 8.7 | 14.3 | 21.4 | 13.2 | 5.8 | 2.31 | 6.7 | 7.9 |
| DC29-15-AC | 23.5 | 15 | 8.7 | 18.2 | 21.4 | 13.2 | 5.8 | 2.31 | 6.7 | 11.6 |
| DC29-21-AC | 27.3 | 18.8 | 8.7 | 22 | 21.4 | 13.2 | 5.8 | 2.31 | 6.7 | 15.4 |
| DC29-25-AC | 29.8 | 21.4 | 8.7 | 24.5 | 21.4 | 13.2 | 5.8 | 2.31 | 6.7 | 18 |
| DC29-31-AC | 33.6 | 25.2 | 8.7 | 28.3 | 21.4 | 13.2 | 5.8 | 2.31 | 6.7 | 21.8 |
| DC29-37-AC | 37.4 | 29 | 8.7 | 32.1 | 21.4 | 13.2 | 5.8 | 2.31 | 6.7 | 25.6 |
| DC29-A51-AC | 46.3 | 37.9 | 8.7 | 41 | 21.4 | 13.2 | 5.8 | 2.31 | 6.7 | 26.2 |
| DC29-51-AC | 36.2 | 27.8 | 9.7 | 30.9 | 23.7 | 15.5 | 5.8 | 2.31 | 7.5 | 23.4 |
| DC29-69-AC | 43.8 | 35.4 | 9.7 | 38.5 | 23.7 | 15.5 | 5.8 | 2.31 | 7.5 | 29.4 |
| DC29-100-AC | 54.7 | 38.7 | 11 | 45.7 | 24.2 | 16 | 5.8 | 3.7 | 8.7 | 34.1 |
| DC29-9-AD | 19.6 | 12.1 | 8.7 | 14.3 | 29.4 | 21.2 | 5.8 | 2.31 | - | 4.7 |
| DC29-15-AD | 23.5 | 16 | 8.7 | 18.2 | 29.4 | 21.2 | 5.8 | 2.31 | - | 5.8 |
| DC29-21-AD | 27.3 | 19.8 | 8.7 | 22 | 29.4 | 21.2 | 5.8 | 2.31 | - | 6.5 |
| DC29-25-AD | 29.8 | 22.3 | 8.7 | 24.5 | 29.4 | 21.2 | 5.8 | 2.31 | 6.6 | 7.9 |
| DC29-31-AD | 33.6 | 26.1 | 8.7 | 28.3 | 29.4 | 21.2 | 5.8 | 2.31 | 6.6 | 8.4 |
| DC29-37-AD | 37.4 | 29.9 | 8.7 | 32.1 | 29.4 | 21.2 | 5.8 | 2.31 | 6.6 | 9.5 |
| DC29-A51-AD | 46.3 | 38.8 | 8.7 | 41 | 29.4 | 21.2 | 5.8 | 2.31 | 6.6 | 13.1 |
| DC29-51-AD | 36.2 | 28.7 | 9.7 | 30.9 | 31.7 | 23.5 | 5.8 | 2.31 | 7.5 | 11.9 |
| DC29-69-AD | 43.8 | 36.3 | 9.7 | 38.5 | 31.7 | 23.5 | 5.8 | 2.31 | 7.5 | 15.7 |
| DC29-100-AD | 54.7 | 38.8 | 11 | 45.7 | 32.2 | 24 | 5.8 | 3.7 | 8.7 | 17.5 |
| DC29-9-AJ | 19.6 | 12.1 | 8.7 | 14.3 | 29.4 | 21.2 | 5.8 | 2.31 | - | 4.7 |
| DC29-15-AJ | 23.5 | 16 | 8.7 | 18.2 | 29.4 | 21.2 | 5.8 | 2.31 | - | 5.8 |
| DC29-21-AJ | 27.3 | 19.8 | 8.7 | 22 | 29.4 | 21.2 | 5.8 | 2.31 | - | 6.5 |
| DC29-25-AJ | 29.8 | 22.3 | 8.7 | 24.5 | 29.4 | 21.2 | 5.8 | 2.31 | 6.6 | 7.9 |
| DC29-31-AJ | 33.6 | 26.1 | 8.7 | 28.3 | 29.4 | 21.2 | 5.8 | 2.31 | 6.6 | 8.4 |
| DC29-37-AJ | 37.4 | 29.9 | 8.7 | 32.1 | 29.4 | 21.2 | 5.8 | 2.31 | 6.6 | 9.5 |
| DC29-A51-AJ | 46.3 | 38.8 | 8.7 | 41 | 29.4 | 21.2 | 5.8 | 2.31 | 6.6 | 13.1 |
| DC29-51-AJ | 36.2 | 28.7 | 9.7 | 30.9 | 31.7 | 23.5 | 5.8 | 2.31 | 7.5 | 11.9 |
| DC29-69-AJ | 43.8 | 36.3 | 9.7 | 38.5 | 31.7 | 23.5 | 5.8 | 2.31 | 7.5 | 15.7 |
| DC29-100-AJ | 54.7 | 38.8 | 11 | 45.7 | 32.2 | 24 | 5.8 | 3.7 | 8.7 | 17.5 |
| DC29-9-AG | 19.6 | 11.2 | 8.7 | 14.3 | 17.3 | 19.4 | - | 2.31 | - | 4.7 |
| DC29-15-AG | 23.5 | 15 | 8.7 | 18.2 | 18.4 | 23.2 | - | 2.31 | - | 5.8 |
| DC29-21-AG | 27.3 | 18.8 | 8.7 | 22 | 19.1 | 27 | - | 2.31 | - | 6.5 |
| DC29-25-AG | 29.8 | 21.4 | 8.7 | 24.5 | 20.4 | 29.6 | - | 2.31 | 6.7 | 7.8 |

Remark: All dimension are in mm.

Outline Dimensions Of Backshells

| Part Number | Outline Dimensions | | | | | | | | | |
|-------------|--------------------|------|-----|------|------|------|---|------|-----|------|
| | A | B | C | D | E | F | J | ØS | L | M |
| DC29-31-AG | 33.6 | 25.2 | 8.7 | 28.3 | 20.9 | 33.4 | - | 2.31 | 6.7 | 8.3 |
| DC29-37-AG | 37.4 | 29 | 8.7 | 32.1 | 22.1 | 37.2 | - | 2.31 | 6.7 | 9.5 |
| DC29A51-AG | 46.3 | 37.9 | 8.7 | 41 | 25.6 | 46.1 | - | 2.31 | 6.7 | 13 |
| DC29-51-AG | 36.2 | 27.8 | 9.7 | 30.9 | 24.5 | 36 | - | 2.31 | 7.5 | 11.9 |
| DC29-69-AG | 43.8 | 35.4 | 9.7 | 38.5 | 28.3 | 43.6 | - | 2.31 | 7.5 | 15.7 |
| DC29-100-AG | 54.7 | 38.7 | 11 | 45.7 | 30 | 46.9 | - | 3.7 | 8.7 | 17.4 |

Remark: All dimension are in mm.